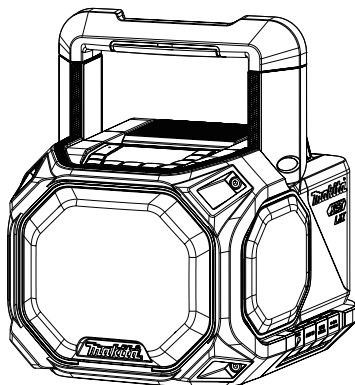
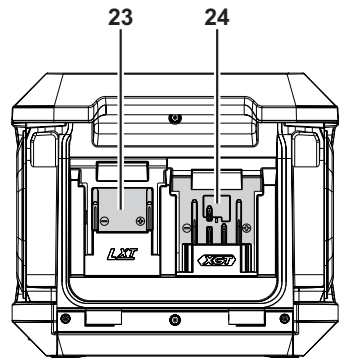
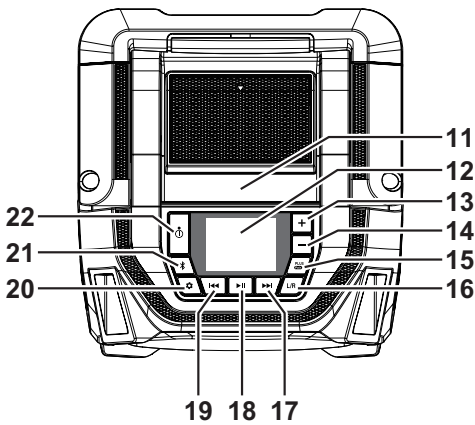
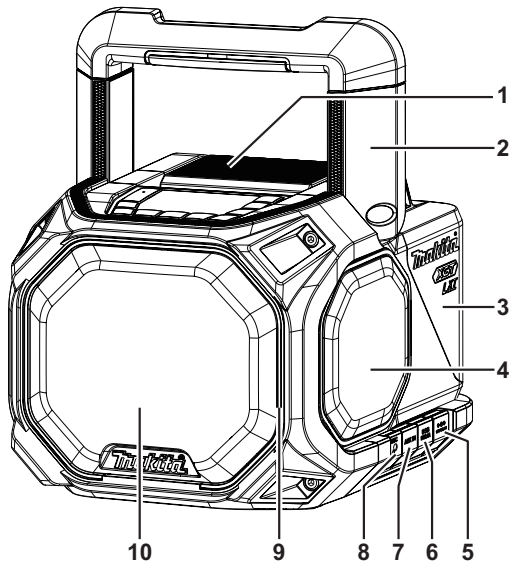


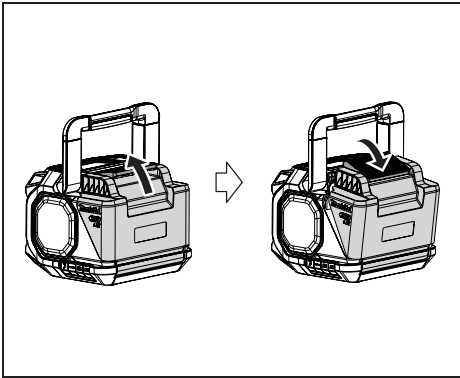


EN	Cordless Job Site Speaker	Instruction manual	4
PL	Głośnik Bezprzewodowy	Instrukcja obsługi	14
HU	Vezetéknélküli munkahelyi hangszóró	Használati útmutató	25
SK	Bezdrôtový stavebný reproduktor	Návod na použitie	35
CS	Bezdrátový reproduktor na stavenišťě	Návod k obsluze	45
UK	Бездротовий динамік для будівельників	Інструкція з використання	55
RO	Difuzor fără fir pentru șantier	Manual de utilizare	66
DE	Kabelloser Lautsprecher	Bedienungsanleitung	76
SL	Samostoječi zvočnik	Navodila za uporabo	87
SQ	Altoparlant me bateri për zona pune	Manuali i përdorimit	97
BG	Безжичен високоговорител за работни места	Упътване за употреба	107
HR	Bežični Gradilišni Zvučnik	Upute za uporabu	118
MK	Безжичен звучник за работно место	Упатство за работа	128
SR	Бежични звучник за градилиште	Упутства за употребу	139

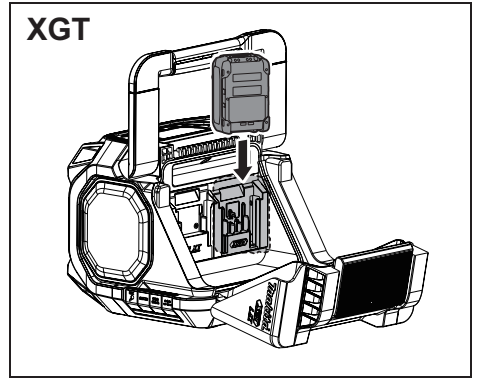
# MR014G



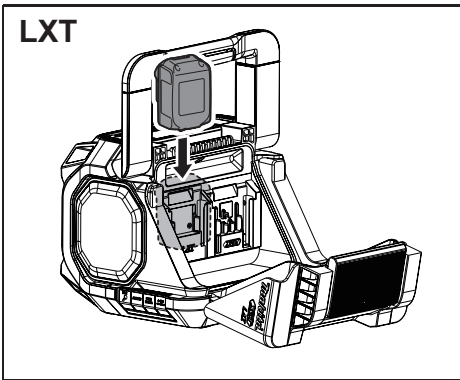




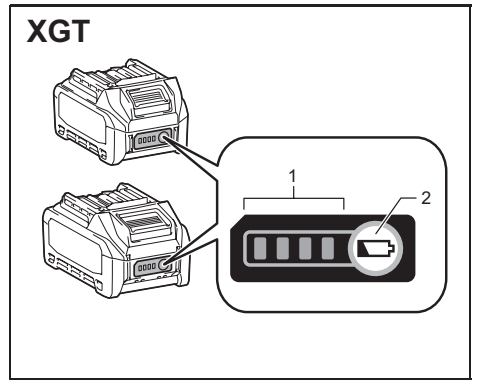
2



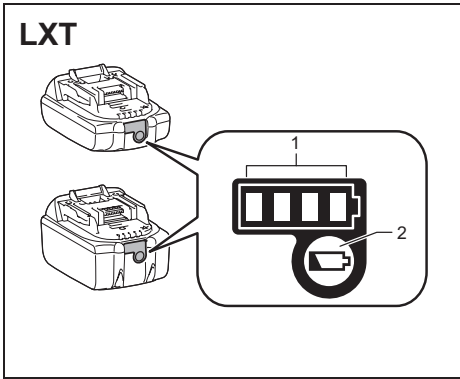
3



4



5

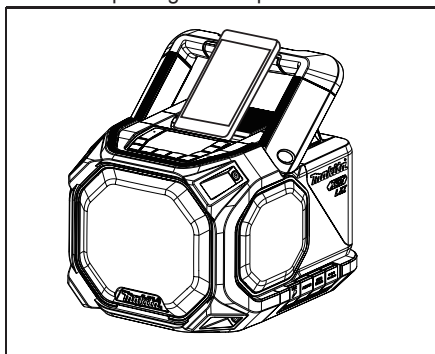


6

## ENGLISH (Original instructions)

### EXPLANATION OF GENERAL VIEW (Fig. 1)

1. Battery compartment locker
2. Handle
3. Battery compartment cover (covering battery cartridge)
4. Passive speaker
5. DC in socket
6. USB charging socket
7. Auxiliary input socket
8. Microphone socket
9. LED light
10. Speaker
11. Groove for placing a smartphone



12. LCD display
13. Volume up button
14. Volume down button
15. Plus button (Plus pair button)
16. L/R button
17. Next track/Fast forward button
18. Play/Pause button
19. Previous track/Rewind button
20. Menu button
21. Bluetooth pairing button
22. Power button
23. LXT battery terminal
24. XGT battery terminal

### SYMBOLS

The following show the symbols used for the equipment. Be sure that you understand their meaning before use.



Read instruction manual.



Only for EU countries.

Due to the presence of hazardous components in the equipment, waste electrical and electronic equipment, accumulators and batteries may have a negative impact on the environment and human health.

Do not dispose of electrical and electronic appliances or batteries with household waste!

In accordance with the European Directive on waste electrical and electronic equipment and on accumulators and batteries and waste accumulators and batteries, as well as their adaptation to national law, waste electrical equipment, batteries and accumulators should be stored separately and delivered to a separate collection point for municipal waste, operating in accordance with the regulations on environmental protection.

This is indicated by the symbol of the crossed-out wheeled bin placed on the equipment.



### Qualcomm® aptX™ HD

Qualcomm® aptX™ is a product of Qualcomm Technologies, Inc. and/or its subsidiaries. Qualcomm® is a trademark of Qualcomm Incorporated, registered in the United States and other countries. aptX™ is a trademark of Qualcomm Technologies International, Ltd., registered in the United States and other countries.

### IMPORTANT SAFETY INSTRUCTIONS

#### **WARNING:**

When using electric tools, basic safety precautions should always be followed to reduce the risk of fire, electric shock, and personal injury, including the following:

1. Read this instruction manual and the charger instruction manual carefully before use.
2. Clean only with dry cloth.
3. Do not install near any heat sources such as radiators, heat registers, stoves, or other apparatus (including amplifiers) that produce heat.
4. Only use attachments/accessories specified by the manufacturer.
5. Unplug this apparatus during lightning storms or when unused for long periods of time.



6. A battery operated speaker with integral batteries or a separate battery pack must be recharged only with the specified charger for the battery. A charger that may be suitable for one type of battery may create a risk of fire when used with another battery.
7. Use battery operated speaker only with specifically designated battery packs. Use of any other batteries may create a risk of fire.
8. When battery pack is not in use, keep it away from other metal objects like: paper clips, coins, keys, nails, screws, or other small metal objects that can make a connection from one terminal to another. Shorting the battery terminals together may cause sparks, burns, or a fire.
9. Avoid body contact with grounded surfaces such as pipes, radiators, ranges and refrigerators. There is an increased risk of electric shock if your body is grounded.
10. Under abusive conditions, liquid may be ejected from the battery; avoid contact. If contact accidentally occurs, flush with water. If liquid contacts eyes, additionally seek medical help. Liquid ejected from the battery may cause irritation or burns.
11. Do not use a battery pack or tool that is damaged or modified. Damaged or modified batteries may exhibit unpredictable behavior resulting in fire, explosion or risk of injury.
12. Do not expose a battery pack or tool to fire or excessive temperature. Exposure to fire or temperature above 130°C (266°F) may cause explosion.
13. Follow all charging instructions and do not charge the battery pack or tool outside the temperature range specified in the instructions. Charging improperly or at temperatures outside the specified range may damage the battery and increase the risk of fire.
14. The MAINS plug is used as the disconnect device, and it shall remain readily operable.
15. Do not expose the product at a high volume for any extended period. To avoid hearing damage, use the product at moderate volume level.
16. (For products with LCD display only) LCD displays include liquid which may cause irritation and poisoning. If the liquid enters the eyes, mouth or skin, rinse it with water and call a doctor.
17. Do not expose the product to rain or wet conditions. Water entering the product will increase the risk of electric shock.
18. This product is not intended for use by persons (including children) with reduced physical, sensory or mental capabilities, or lack of experience and knowledge, unless they have been given supervision or instruction concerning use of the product by a person responsible for their safety. Children should be supervised to ensure that they do not play with the product. Store the product out of the reach of children.
19. Do not heat or expose the speaker to fire or leave it in a hot location such as near a heat source, exposed to direct sunlight, or inside a vehicle under the blazing sun. Doing so may cause a fire or explosion and result in personal injury.
20. Place the equipment on a level, flat surface or secure the equipment in a stable location. Otherwise the falling accident may occur.

## SAVE THESE INSTRUCTIONS

### SPECIFIC SAFETY RULES FOR BATTERY CARTRIDGE

1. Before using battery cartridge, read all instructions and cautionary markings on (1) battery charger, (2) battery, and (3) product using battery.
2. Do not disassemble battery cartridge.
3. If operating time has become excessively shorter, stop operating immediately. It may result in a risk of overheating, possible burns and even an explosion.
4. If electrolyte gets into your eyes, rinse them out with clear water and seek medical attention right away. It may result in loss of your eyesight.
5. Do not short the battery cartridge:
  - (1) Do not touch the terminals with any conductive material.
  - (2) Avoid storing battery cartridge in a container with other metal objects such as nails, coins, etc.
  - (3) Do not expose battery cartridge to water or rain. A battery short can cause a large current flow, overheating, possible burns and even a breakdown.
6. Do not store and use the tool and battery cartridge in locations where the temperature may reach or exceed 50°C (122°F).
7. Do not incinerate the battery cartridge even if it is severely damaged or is completely worn out. The battery cartridge can explode in a fire.
8. Be careful not to drop or strike battery.
9. Do not use a damaged battery.
10. To avoid risk, the manual of replaceable the battery should be read before use.
11. The contained lithium-ion-batteries are subject to the Dangerous Goods Legislation requirements. For commercial transports e.g. by third parties, forwarding agents, special requirement on packaging and labeling must be observed. For

preparation of the item being shipped, consulting an expert for hazardous material is required. Please also observe possibly more detailed national regulations. Tape or mask off open contacts and pack up the battery in such a manner that it cannot move around in the packaging.

12. When disposing the battery cartridge, remove it from the tool and dispose of it in a safe place. Follow your local regulations relating to disposal of battery.
13. Use the batteries only with the products specified by Makita. Installing the batteries to non-compliant products may result in a fire, excessive heat, explosion, or leak of electrolyte.
14. If the tool is not used for a long period of time, the battery must be removed from the tool.
15. Do not allow chips, dust, or soil stuck into the terminals, holes, and grooves of the battery cartridge. It may result in poor performance or breakdown of the tool or battery cartridge.
16. Keep the battery away from children.
17. During and after use, the battery cartridge may take on heat which can cause burns or low temperature burns.
18. Do not touch the terminal of the tool immediately after use as it may get hot enough to cause burns.
19. Unless the tool supports the use near a high-voltage electrical power lines, do not use the battery cartridge near a high-voltage electrical power lines. It may result in a malfunction or breakdown of the tool or battery cartridge.
20. Protect the battery from following conditions:
  - replacement of a battery with an incorrect type that can defeat a safeguard (for example, in the case of some lithium battery types);
  - disposal of a battery into fire or a hot oven, or mechanically crushing or cutting of a battery, that can result in an explosion;
  - leaving a battery in an extremely high temperature surrounding environment that can result in an explosion or the leakage of flammable liquid or gas; and
  - a battery subjected to extremely low air pressure that may result in an explosion or the leakage of flammable liquid or gas.

**⚠ CAUTION:**

- **Danger of explosion if battery is incorrectly replaced.**
- **Only use genuine Makita batteries. Use of non-genuine Makita batteries, or batteries that have been altered, may result in the battery bursting causing fires, personal injury and damage. It will also void the Makita warranty for the Makita tool and charger.**

## **Tips for maintaining maximum battery life**

1. Charge the battery cartridge before completely discharged. Always stop operation and charge the battery cartridge when you notice less power.
2. Never recharge a fully charged battery cartridge. Overcharging shortens the battery service life.
3. Charge the battery cartridge with room temperature at 10°C - 40°C (50°F - 104°F). Let a hot battery cartridge cool down before charging it.
4. When not using the battery cartridge, remove it from the tool or the charger.
5. Charge the battery cartridge if you do not use it for a long period (more than six months).

## OPERATING TIME

\* The suitable battery packs for this speaker listed as the following table.

\* The following table indicates the operating time on a single charge.

Battery cartridge		Battery capacity	AT SPEAKER OUTPUT = 100mW Unit: Hour (Approximately)			
			Bluetooth		AUX IN	
			LED ON	LED OFF	LED ON	LED OFF
LXT (14.4V)	BL1415N	1.5 Ah	7.0	10	7.5	10
	BL1430B	3.0 Ah	12	16	12	17
	BL1440	4.0 Ah	19	25	20	27
	BL1460B	6.0 Ah	25	34	26	36
LXT (18V)	BL1815N	1.5 Ah	8.0	10	8.5	11
	BL1820B	2.0 Ah	11	14	11	15
	BL1830B	3.0 Ah	15	19	16	20
	BL1840B	4.0 Ah	22	28	22	29
	BL1850B	5.0 Ah	28	36	29	37
	BL1860B	6.0 Ah	34	43	35	45
XGT (36V - 40V max)	BL4020	2.0 Ah	19	23	19	24
	BL4025	2.5 Ah	24	30	25	31
	BL4040(F)	4.0 Ah	39	47	40	49

### WARNING:

**Only use the battery cartridges listed above. Use of any other battery cartridges may cause injury and/or fire.**

### NOTE:

- Table regarding to the battery operating time above is for reference.
- The actual operating time may differ with the type of the battery, charging condition, or usage environment.
- Some of the battery cartridges and chargers listed above may not be available depending on your region of residence.

# INSTALLATION AND POWER SUPPLY

## ⚠ CAUTION:

- Be careful not to pinch your fingers when opening and closing the battery cover.
- Return the battery compartment locker to the original position, after installing or removing battery cartridge. If not, battery cartridge may accidentally fall out of the speaker, causing injury to you or someone around you.
- Always close and lock the battery compartment locker before moving the speaker.
- Always switch off the speaker before installing or removing the battery cartridge.
- Be careful not to drop or strike the speaker. Broken shell may slash your finger or stab your body. Damaged speaker may exhibit unpredictable behavior resulting in fire, explosion or risk of injury.
- Hold the speaker and the battery cartridge firmly when installing or removing battery cartridge. Failure to hold the speaker and the battery cartridge firmly may cause them to slip off your hands and result in damage to the speaker and battery cartridge and a personal injury.

## IMPORTANT:

- Reduced power, distortion, "stuttering sound" or a low battery icon appearing on the display are all signs that the main battery pack needs to be replaced.
- The battery cartridge can't be charged via the supplied AC power adaptor.
- The battery cartridge is not included as standard accessories.

## Installing or removing slide battery cartridge (Fig. 2-4)

- To install the battery cartridge, align the tongue on the battery cartridge with the groove in the housing and slip it into place. Always insert it all the way until it locks in place with a little click.
- If you can see the red indicator on the upper side of the button, it is not locked completely. Install it fully until the red indicator cannot be seen. If not, it may accidentally fall out of the speaker, causing injury to you or someone around you.
- Do not use force when inserting the battery cartridge. If the cartridge does not slide in easily, it is not being inserted correctly.
- To remove the battery cartridge, sliding it from the speaker while pressing the button on the front of the cartridge.












## Indicating the remaining battery capacity (Fig. 5-6)

Only for battery cartridges with the indicator

- 1. Indicator lamps      2. Check button

Press the check button on the battery cartridge to indicate the remaining battery capacity. The indicator lamps light up for few seconds.

- XGT/LXT battery cartridge

Indicator or lamps			Remaining capacity
 Lighted	 Off	 Blinking	
			75% ~ 100%
			50% ~ 75%
			25% ~ 50%
			0% ~ 25%
			Charge the battery
			The battery may have malfunctioned

## NOTE:

- Depending on the conditions of use and the ambient temperature, the indication may differ slightly from the actual capacity.
- The first (far left) indicator lamp will blink when the battery protection system works.
- When the battery power is low, please replace the battery.

## Using supplied AC power adaptor

Remove the rubber protector and insert the adaptor plug into the DC socket on the right hand side of the speaker. Plug the adaptor into a standard mains socket outlet. Whenever the adaptor is used, the battery pack is automatically disconnected.

## ⚠ CAUTION:

- Always disconnect the AC power adaptor completely before moving the speaker. If the AC adaptor is not removed, it may cause an electric shock.
- Never pull and/or drag the cord of the adaptor. If not, the speaker may accidentally fall down, causing injury to you or someone around you.

## IMPORTANT:

- In order to disconnect the speaker, the mains adaptor should be removed from the mains outlet completely.

- Use the AC power adaptor supplied with the product or specified by Makita only.
- Do not hold the power supply cable and plug by your mouth. Doing so might cause an electric shock.
- Do not touch the power plug with wet or greasy hands.
- Damaged or entangled cords increase the risk of electric shock. If the cord is damaged, have it replaced by our authorized service center in order to avoid a safety hazard. Do not use it before repair.
- After use, always store AC power adaptor out of the reach of children. If Children play with the cord, they may suffer injury.

## USB power supply socket

This jack can be used to charge a mobile phone or any other device that uses less than 2.4A of DC current. Charging will only occur when the speaker is switched on.

**Note:** Ensure the specification of your external device such as mobile phone or player is compatible with the speaker. Please read instruction manual of your external device before charging.

### IMPORTANT:

- Before connecting USB device to the charger, always backup your data of USB device. Otherwise your data may lose by any possibility.
- The charger may not supply power to some USB devices.
- When not using or after charging, remove the USB cable and close the cover.
- Do not connect power source to USB port. Otherwise there is risk of fire. The USB port is only intended for charging lower voltage device. Always place the cover onto the USB port when not charging the lower voltage device.
- Do not insert a nail, wire, etc. into USB power supply port. Otherwise a circuit short may cause smoke and fire.
- Do not connect this USB socket with your PC USB port, as it is highly possible that it may cause breakdown of the units.

## LISTENING TO MUSIC VIA BLUETOOTH STREAMING

To play/stream Bluetooth music through the speaker, pair your Bluetooth device with the speaker to enable the auto-link.

### Note:

To have the better sound quality, we recommend setting the volume to more than two-thirds level on your Bluetooth device and then adjust the volume on the speaker as required. This operation is valid only when

the Bluetooth device is not absolute volume.

## Pairing your Bluetooth device for the first time

1. Press the Power button to turn on the speaker. "Pairing" will appear on the display to show the speaker is discoverable.
2. Activate Bluetooth on your device according to the device's user manual to link to the speaker. Locate the Bluetooth device list and select the device named "MR014G" (With some mobiles which are equipped with earlier versions than BT 2.1 Bluetooth device, you may need to input the pass code "0000").
3. Once connected, there will be a confirmation tone sound. "Paired" will appear on the display. You can simply select and play any music from your source device. Volume control can be adjusted from your source device, or directly from the speaker.
4. Use the controls on your Bluetooth-enabled device or on the speaker to play/pause and navigate tracks.

### Note:

- If 2 Bluetooth devices, pairing for the first time, both search for the speaker, it will show its availability on both devices. However, if one device links with this unit first, then the other Bluetooth device won't find it on the list.
- If your Bluetooth device is temporarily disconnected to the speaker, then you need to manually reconnect your device again to the speaker.
- If "MR014G" shows in your Bluetooth device list but your device cannot connect with it, please delete the item from your list and pair the device with the speaker again following the steps described previously.
- Optimum Bluetooth streaming range is roughly 30 meters (100 feet) (line of sight) to the speaker but distance up to 100 meters (328 feet) are possible.
- If Bluetooth connection is lost due to exceeding time of separation, exceeding the optimum distance, obstacles or otherwise, reconnecting your device with the speaker may be necessary.
- Physical obstacles, other wireless devices or electromagnetic devices may affect the connection quality.
- Bluetooth connectivity performance may vary depending on the connected Bluetooth devices. Please refer to the Bluetooth capabilities of your device before connecting to the speaker. All features may not be supported on some paired Bluetooth devices.

## Playing audio files in Bluetooth mode

When you have successfully connected the speaker with the chosen Bluetooth device, you can start to play your

music using the controls on your connected Bluetooth device.

1. Once playing has started, adjust the volume to the required setting using the Volume buttons on the speaker or on your enabled Bluetooth device.
2. Use the controls on your Bluetooth device to play/pause and navigate tracks. Alternatively, control the playback using Play/Pause, Next track and Previous track buttons on your speaker.
3. Press and hold the Fast-forward button or Rewind button to move through the current track. Release the button when the desired point is reached.

#### Note:

- Not all player applications or devices may respond to all of these controls.
- Some mobile phones may temporarily disconnect from the speaker when you make or receive calls. Some devices may temporarily mute their Bluetooth audio streaming when they receive text messages, emails or for other reasons unrelated to audio streaming. Such behavior is a function of the connected device and does not indicate a fault with the speaker.
- The display will show the track information such as title, artist, album, etc., when playing in Bluetooth mode.

### Playing a previously-paired Bluetooth source device

The speaker can memorize up to 8 sets of paired Bluetooth devices, when the memory exceeds this amount, the earliest device with which the speaker was paired will be overwritten in the speaker's memory. If your Bluetooth source device has previously paired with the speaker, the speaker will still remember your Bluetooth device and attempt to reconnect with the last connected device within 1 minute. If the last connected device is not available, the speaker will be discoverable.

### Disconnecting your Bluetooth device

Press and hold the Bluetooth pairing button for 2-3 seconds until "Pairing" is shown on the display to disconnect with your Bluetooth device or turn off Bluetooth on your Bluetooth device to disable the connection.

### Deleting Bluetooth paired device memory

To clear the memory of all paired devices, press and hold the Bluetooth pairing button for more than 7 seconds until "Reset" is shown on the display.

## TRUE WIRELESS STEREO (TWS) FUNCTION

True wireless stereo (TWS) is a feature that allows one device to wirelessly connect with another device. You can use the TWS function to connect it to a second MR014G and play your music through two speakers.

### Setting up the first speaker

1. Make sure the first speaker is in Bluetooth mode and connect to a Bluetooth device.
2. Press the Plus button, the display will show **[ST] · [MULTI]**. **[ST]** will flash on the display. Press the Plus button to enter the "ST Pair" mode. If no buttons are pressed for 10 seconds, the speaker will also enter the "ST Pair" mode. The display will show "ST Pair".

### Setting up the second speaker

1. Make sure the second speaker is in Bluetooth mode and that it has not connected to a Bluetooth device.
2. Press the Plus button, the display will show **[ST] · [MULTI]**. **[ST]** will flash on the display. Press the Plus button to enter the "ST Pair" mode. If no buttons are pressed for 10 seconds, the speaker will also enter the "ST Pair" mode.

When the speakers are successfully connected,

**[L · [ST] · R]** will be shown on both displays at the same time.

**Note:** Set up the second speaker within 1 minute of the first one, otherwise the setting of the first speaker will be canceled.

### Starting playback

1. Start playback on the connected Bluetooth device and adjust the volume on the Bluetooth device or one of the speakers for comfortable listening.  
**Note:** Volume or EQ settings of one speaker will be reflected on the other.
2. Use the controls on your Bluetooth device to play/pause and navigate tracks. Alternatively, control the playback using Play/Pause, Next track and Previous track buttons on either speaker.
3. Press and hold the Fast forward or Rewind button on either speaker to fast forward or rewind within the current track. Release the button when the desired point is reached.

### Switching the audio mode

1. Using two speakers, you can switch between **[L · [ST] · R]**, **[R · [ST] · R]** and **[L · [ST] · L]** mode.
2. Press the L/R button on either of the speakers to change the audio mode.
3. **[L · [ST] · R] mode:** Both speakers play the same

sound. It is the initial setting.

4. **R · ST · R** and **L · ST · L** mode: One speaker plays the sound on the right channel, while the other speaker plays the sound on the left channel for stereo playback between the speakers.

## Disconnecting the TWS Function

Press and hold the Plus button to disconnect the TWS function.

## ENJOYING WIRELESS PLAYBACK USING MULTIPLE SPEAKERS

You can enjoy music at the same time by combining up to 10 devices which are compatible with this function.

### Setting up the first speaker

1. Make sure the first speaker is in Bluetooth mode and connect to a Bluetooth device.
2. Press the Plus button, the display will show **ST · MULTI**.
3. Select **MULTI** by pressing the L/R button. **MULTI** will flash on the display. Press the Plus button to enter "MULTI Pair" mode. If no buttons are pressed for 10 seconds, the speaker will also enter the "MULTI Pair" mode. The display will show "MULTI Pair".

### Setting up the second speaker

1. Ensure that the second speaker is in Bluetooth "Pairing" mode.
2. Press the Plus button, the display will show **ST · MULTI**.
3. Select **MULTI** by pressing the L/R button. **MULTI** will flash on the display. Press the Plus button to enter the "MULTI Pair" mode. If no buttons are pressed for 10 seconds, the speaker will also enter the "MULTI Pair" mode. When the speakers are successfully connected, the first speaker's display will show "PARENT" (indicating the master speaker) and the second speaker's display will show "CHILD" (indicating the secondary speaker).

**Note:** Set up the second speaker within 1 minute of the first one. When adding a new secondary speaker, the 1 minute will be recalculated.

### Adding new secondary speakers

If you want to connect a third speaker or more new speakers, follow these steps:

1. Ensure that the new speaker is in Bluetooth "Pairing" mode.
2. Press the Plus button on the master speaker, the display will show "MULTI ADD".

3. Press the Plus button on the new speaker, the display will show **ST · MULTI**.
4. Select **MULTI** by pressing the L/R button. **MULTI** will flash on the display. Press the Plus button to enter the "MULTI Pair" mode. If no buttons are pressed for 10 seconds, the speaker will also enter the "MULTI Pair" mode. When the speakers are successfully connected, "CHILD" (indicating the secondary speaker) will be displayed on the new speaker.

## Starting playback

1. Start playback on the connected Bluetooth device and adjust the volume on the Bluetooth device or on the speakers for comfortable listening. The same music is played from all speakers.  
**Note:** Only the master speaker's volume or EQ settings will be synchronized with the other speakers. For the other speakers, please set each speaker's volume or EQ individually.
2. Use the controls on your Bluetooth device to play/pause and navigate tracks. Alternatively, control the playback using Play/Pause, Next track and Previous track buttons on the master speaker.
3. Press and hold the Fast forward or Rewind button on the master speaker to fast forward or rewind within the current track. Release the button when the desired point is reached.

## Disconnecting the multiple speakers

- To disconnect only one secondary speaker, press and hold the Plus button of the secondary speaker you want to disconnect.
- To disconnect all connections and exit the multiple speakers group, press and hold the Plus button of the master speaker.

## SELECT LIGHTING FUNCTION

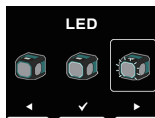
1. Press the Power button to switch on your speaker.
2. Press the Menu button, then press the Previous Track button to enter the settings.
3. Press the Next Track or Previous Track button to select the desired Lighting function. Then press the Play/Pause button to confirm your selection.



Selecting this option indicates that the LED light is turned off.



Selecting this option indicates that the LED light remains continuously illuminated. (Default)



Selecting this option indicates that the LED light will flash with the rhythm of the music. It is more effective with music that has a strong beat.

**Note:** This feature is suitable for music with a strong rhythm. Otherwise, the LED light may not flash.

## EQUALIZER FUNCTION

1. Press the Power button to switch on your speaker.
2. Press the Menu button, then press the Play/Pause button to enter the EQ selection menu.
3. Press the Next Track or Previous Track button to select the desired equalizer mode or choose to configure your own equalizer mode. Then, press the Play/Pause button to confirm your selection. The available equalizer modes are: "FLAT", "JAZZ", "ROCK", "CLASSIC", "POP", "NEWS", and "MY EQ".
4. If "MY EQ" is chosen in step 3, use the Next track, Previous track and Play/Pause buttons to subsequently configure the treble, middle and bass levels.

**Note:** If you increase the volume while emphasizing the bass with an equalizer, crackling or distortion may occur. In this case, adjust the volume.

## MICROPHONE SOCKET

A 6.3mm microphone socket is provided on the right side of your speaker for connecting the microphone (not supplied).

1. Connect the microphone to the microphone (MIC) socket.
2. Press the Power button to switch on your speaker.
3. Turn on the microphone.
4. Press the volume up/down buttons on the speaker as needed to adjust the desired level.

**Note:**

Do not place the microphone against the speaker, it can cause feedback echo and it will damage the speaker.

### Setting the Microphone volume

1. Press the Power button to switch on your speaker.
2. Press the Menu button, then press the Next Track button to enter the settings.
3. Press the Next Track or Previous Track button to select the desired microphone volume level. Then press the Play/Pause button to confirm your selection.

## PLAYING MUSIC VIA AUXILIARY INPUT SOCKET

A 3.5mm Auxiliary input socket is provided on the right side of the unit for an audio signal from any devices that features a headphone or audio output, such as MP3 or CD player.

1. Connect a stereo or mono audio source (for example, MP3 or CD player) to the Auxiliary input socket (marked 'AUX IN'), the speaker will be switched from Bluetooth to auxiliary input mode.
2. Adjust the Volume control on your MP3 or CD player to ensure an adequate signal and then adjust the volume on the speaker for comfortable listening.

**Note:**

In AUX IN mode, it is recommended to set the volume of the external audio device to two-thirds or higher. Then, adjust the speaker's volume as needed to achieve optimal sound quality. If the volume of the audio device is set lower than two-thirds, it is possible that the LED light will not flash.

The display does not show the information such as title, artist, album, etc., when playing via auxiliary input socket.

## MAINTENANCE

**⚠ CAUTION:**

- **Never use gasoline, benzine, thinner, alcohol or the like. Discoloration, deformation or cracks may result.**
- **Do not wash the speaker with water.**



# SPECIFICATIONS

<b>Amplifier</b>	
Output power	14.4V: 15W 18V: 20W 36V: 20W
Frequency response	50Hz~20kHz
<b>Aux In</b>	
Input sensitivity	300mVrms @100Hz
<b>Speaker</b>	
Main speaker	140.8mm x 1 6ohm 25W
Tweeter speaker	40mm x 1 6ohm 10W
Passive radiator	100.7mm x 2

<b>Bluetooth®</b> (The Bluetooth® word mark and logos are registered trademarks owned by Bluetooth SIG, Inc.)	
Bluetooth version	5.1 Certified
Bluetooth Profiles	A2DP/SCMS-T/AVRCP
Transmission Power	Power Class 1
Transmission Range	Optimum: Max. 30 meters (100 feet) Possible: Max. 100 meters (328 feet) (varies according to usage conditions)
Supported codec	SBC, AAC, aptX™, aptX™ HD
Compatible Bluetooth profile	A2DP/AVRCP
Maximum speaker-frequency power	BT EDR: 4.56dBm BT LE: 4.65dBm
Operating Frequency	2402MHz~2480MHz

<b>USB charging socket</b>	
Maximum supplying power of USB socket	5V, 2.4A

<b>General</b>	
AC power adaptor	DC in 18V 2A, center pin positive
Battery	Slide battery: 14.4V 18V 36V

Input terminal	3.5mm dia. (AUX IN) 6.3mm dia. (MICROPHONE)
Dimensions (W x H x D)	236mm × 205mm × 243mm
Weight	3.8KG (without battery)

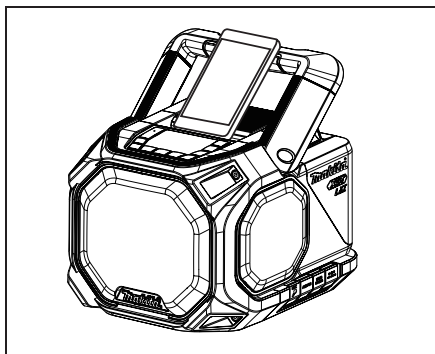
<b>Information on Power Consumption</b>	
Off mode	This device has no standby mode, and its power consumption in the off mode is below 0.3W.
Bluetooth mode	In Bluetooth mode, when there is no signal output, the idle power consumption in this mode is below 2W after 15 minutes.
AUX mode	In AUX mode, when there is no signal output, the idle power consumption in this mode is below 0.8W after 15 minutes.

The company reserves the right to amend the specifications without notice.

## POLSKI (Oryginalna instrukcja)

### OBJAŚNIENIE BUDOWY OGÓLNEJ (Rys. 1)

1. Blokada komory akumulatora
2. Uchwyty
3. Osłona komory baterii (przykrywająca kasetę baterii)
4. Głośnik pasywny
5. Gniazdo prądu stałego
6. Port ładowania USB
7. Dodatkowe gniazdo wejściowe
8. Gniazdo mikrofonu
9. Lampka LED
10. Głośnik
11. Rowek do umieszczenia smartfona



12. Wyświetlacz LCD
13. Przycisk zwiększania głośności
14. Przycisk zmniejszania głośności
15. Przycisk Plus (przycisk parowania)
16. Przycisk L/R
17. Przycisk Następnny utwór Szybkie przewijanie do przodu
18. Przycisk Odtwarzania Pauzy
19. Przycisk Poprzedni utwór Przewijanie do tyłu
20. Przycisk Menu
21. Przycisk parowania Bluetooth
22. Przycisk zasilania
23. Zacisk akumulatora LXT
24. Zacisk akumulatora XGT

## SYMBOLE

Poniżej przedstawiono symbole stosowane w urządzeniu. Upewnij się, że rozumiesz ich znaczenie przed użyciem.



Przeczytaj instrukcję obsługi.



Tylko dla krajów UE.

Ze względu na obecność niebezpiecznych części w sprzęcie, zużyty sprzęt elektryczny i elektroniczny, akumulatory i baterie mogą mieć negatywny wpływ na środowisko i zdrowie człowieka. Nie należy wyrzucać urządzeń elektrycznych ani baterii z odpadami domowymi! Zgodnie z Dyrektywą Europejską dotyczącą zużytego sprzętu elektrycznego i elektronicznego, akumulatorów i baterii oraz zużytych akumulatorów i baterii, a także ich dostosowania do prawa krajowego, zużyty sprzęt elektryczny, baterie i akumulatory powinny być składowane oddzielnie i dostarczane do punktu selektywnej zbiórki odpadów komunalnych, działającego zgodnie z przepisami dotyczącymi ochrony środowiska.

Wskazuje na to symbol przekreślonego kosza na kółkach umieszczony na urządzeniu.



Qualcomm<sup>®</sup> aptX<sup>™</sup> HD

Qualcomm aptX jest produktem firmy Qualcomm Technologies, Inc. i/lub jej spółek zależnych. Qualcomm jest znakiem towarowym firmy Qualcomm Incorporated, zarejestrowanym w Stanach Zjednoczonych i innych krajach. aptX jest znakiem towarowym firmy Qualcomm Technologies International, Ltd., zarejestrowanym w Stanach Zjednoczonych i innych krajach.

## WAŻNE INSTRUKCJE DOTYCZĄCE BEZPIECZEŃSTWA

### **⚠ OSTRZEŻENIE:**

Podczas korzystania z narzędzi elektrycznych należy zawsze przestrzegać podstawowych zasad bezpieczeństwa, aby zmniejszyć ryzyko pożaru, porażenia prądem i obrażeń ciała:

1. Przed użyciem należy uważnie przeczytać niniejszą instrukcję obsługi i instrukcję obsługi ładowarki.
2. Czyść wyłącznie suchą szmatką.
3. Nie należy montować w pobliżu źródeł ciepła, takich jak kaloryfer, kuchenka lub inne urządzenia (w tym wzmacniacze) wytwarzające ciepło.
4. Używaj tylko akcesoriów wskazanych przez producenta.

5. Odłącz urządzenie od zasilania podczas burzy lub gdy nie jest używane przez dłuższy czas.
6. Odtwarzacz zasilany bateryjnie ze zintegrowanymi akumulatorami lub oddzielnym zestawem akumulatorów może być ładowany tylko przy użyciu określonej ładowarki. Ładowarka, która może być odpowiednia do jednego rodzaju akumulatora, może stwarzać ryzyko pożaru, jeśli zostanie użyta z innym akumulatorem.
7. Używaj odtwarzacza tylko ze specjalnie wyznaczonymi zestawami akumulatorów. Zastosowanie innego rodzaju akumulatorów może spowodować ryzyko pożaru.
8. Kiedy akumulator nie jest używany, należy trzymać go z dala od innych metalowych przedmiotów, takich jak: spinacze do papieru, monety, klucze, gwoździe, śruby lub inne drobne przedmioty metalowe, które mogą łączyć jeden zacisk z innym. Zwarcie zacisków akumulatora może spowodować iskry, oparzenia lub pożar.
9. Należy unikać kontaktu ciała z uziemionymi powierzchniami, takimi jak rury, grzejniki, kuchenki i lodówki. Istnieje zwiększone ryzyko porażenia prądem, jeśli twoje ciało jest uziemione.
10. W niekorzystnych warunkach ciecz może wyciec z akumulatora; należy unikać kontaktu. W razie przypadkowego kontaktu opłukać wodą. Jeśli płyn dostanie się do oczu, dodatkowo należy skontaktować się z lekarzem. Ciecz, która wyciekła z akumulatora może powodować podrażnienia lub poparzenia.
11. Nie należy używać akumulatora ani urządzenia, które jest uszkodzone lub zmodyfikowane. Uszkodzone lub zmodyfikowane akumulatory mogą wykazywać nieprzewidziane zachowanie, powodując pożar, wybuch lub ryzyko obrażeń.
12. Nie wystawiaj akumulatora ani urządzenia na działanie ognia lub nadmiernej temperatury. Narażenie na działanie ognia lub temperatury powyżej 130°C (266°F) może spowodować wybuch.
13. Należy postępować zgodnie z instrukcją ładowania i i nie należy ładować akumulatora lub urządzenia poza zakresem określonym w instrukcji. Nieprawidłowe ładowanie lub ładowanie w temperaturze spoza wskazanego zakresu może spowodować uszkodzenie akumulatora i zwiększyć ryzyko pożaru.
14. Wtyczka sieciowa służy jako urządzenie odłączające i powinna być łatwo dostępna.
15. Nie należy używać produktu przy wysokim poziomie głośności przez dłuższy okres czasu. Aby uniknąć uszkodzenia słuchu należy używać urządzenia przy umiarkowanym poziomie głośności.
16. (Dla produktów z wyświetlaczem LCD) Wyświetlacze LCD zawierają ciecz, która może powodować podrażnienie i zatrucie. Jeśli ciecz dostanie się do oczu, ust lub na skórę, należy przemyć wodą i skontaktować się z lekarzem.
17. Nie należy narażać produktu na działanie deszczu lub wilgoci. Przedostanie się wody do urządzenia zwiększa ryzyko porażenia prądem.
18. Ten produkt nie jest przeznaczony do użytkowania przez osoby (w tym dzieci) o ograniczonej sprawności fizycznej, sensorycznej lub umysłowej, czy braku doświadczenia i wiedzy, za wyjątkiem przypadków, gdy były one pod nadzorem lub przekazane im zostały instrukcje dotyczące korzystania z produktu przez osobę odpowiedzialną za ich bezpieczeństwo. Dzieci powinny być nadzorowane, aby nie bawiły się urządzeniem. Produkt należy przechowywać w miejscu niedostępnym dla dzieci.
19. Nie należy nagrzewać lub narażać głośnika na działanie ognia, nie zostawiać go w gorącym miejscu, np. w pobliżu źródła ciepła, w pełnym słońcu lub na wewnątrz samochodu pod palącym słońcem. Może to spowodować pożar lub wybuch, a także doprowadzić do obrażeń.
20. Umieść urządzenie na poziomej, płaskiej powierzchni lub zabezpiecz je w stabilnym miejscu. W przeciwnym razie może dojść do upadkiem.

## INSTRUKCJE TE NALEŻY ZACHOWAĆ

### SZCZEGÓLNE ZASADY BEZPIECZEŃSTWA DLA KASETY AKUMULATORA

1. Przed użyciem kasety akumulatora należy przeczytać wszystkie instrukcje i ostrzeżenia na (1) ładowarce, (2) akumulatorze i (3) produkcie, który wykorzystuje akumulator.
2. Nie należy rozmontowywać kasety akumulatora.
3. Jeśli czas pracy jest zbyt krótki, należy natychmiast przerwać pracę. Może to spowodować ryzyko przegrzania, ewentualnych oparzeń, a nawet wybuchu.
4. Jeśli elektrolit dostanie się do oczu, należy przemyć je czystą wodą i natychmiast skontaktować się z lekarzem. To może prowadzić do utraty wzroku.
5. Nie wolno zwierać kasety akumulatora:
  - (1) Nie dotykaj zacisków żadnym materiałem przewodzącym.
  - (2) Unikaj przechowywania kasety akumulatora w pojemniku z innymi metalowymi przedmiotami, takimi jak gwoździe, monety itp.

- (3) Nie wystawiaj kasety akumulatora na działanie wody lub deszczu. Zwarcie akumulatora może spowodować duży przepływ prądu, przegrzanie, możliwe poparzenia, a nawet awarię.
6. Nie przechowuj i nie używaj urządzenia i kasety akumulatorowej w miejscach, w których temperatura może osiągnąć lub przekroczyć 50°C (122°F).
  7. Nie pal kasety akumulatora, nawet jeśli jest ona poważnie uszkodzona lub całkowicie zużyta. Kaseta akumulatora może eksplodować w ogniu.
  8. Uważaj, aby nie upuścić ani nie uderzyć w akumulator.
  9. Nie należy używać uszkodzonego akumulatora.
  10. Aby uniknąć ryzyka, przed użyciem należy przeczytać instrukcję wymiany akumulatora.
  11. Akumulatory litowo-jonowe podlegają przepisom dotyczącym towarów niebezpiecznych. Do transportu komercyjnego np. przez osoby trzecie, spedytorów, należy przestrzegać specjalnych wymagań dotyczących pakowania i etykietowania. W celu przygotowania wysłanego przedmiotu wymagana jest konsultacja z ekspertem ds. materiałów niebezpiecznych. Należy również przestrzegać możliwie bardziej szczegółowych przepisów krajowych.  
Zabezpiecz taśmą lub zakryj otwarte styki i wóź akumulator w taki sposób, aby nie mógł przemieszczać się w opakowaniu.
  12. Aby usunąć kasety akumulatora, wyjmij ją z urządzenia, a następnie zutylizuj w bezpiecznym miejscu. Postępuj zgodnie z lokalnymi przepisami dotyczącymi utylizacji baterii.
  13. Używaj akumulatora tylko z produktami określonymi przez Makita. Założenie akumulatorów w produktach niekompatybilnych może spowodować pożar, nadmierne ciepło, wybuch lub wyciek elektrolitu.
  14. Jeżeli urządzenie nie będzie używane przez dłuższy czas, akumulator należy z niego wyjąć.
  15. Nie pozwól, aby chipsy, kurz lub ziemia dostały się do styków, otworów i rowków kasety akumulatora. Może to skutkować słabą wydajnością lub awarią urządzenia lub akumulatora.
  16. Trzymaj akumulator z dala od dzieci
  17. Podczas użytkowania i po jego zakończeniu akumulator może nagrzewać się, co może spowodować oparzenia lub oparzenia niskotemperaturowe.
  18. Nie dotykaj końcówek urządzenia bezpośrednio po użyciu, ponieważ może się ono nagrzać na tyle, aby spowodować oparzenia.
  19. Jeśli urządzenie nie jest przeznaczone do użytku w pobliżu linii wysokiego napięcia, nie używaj kasety akumulatora w pobliżu linii wysokiego napięcia. Może to spowodować awarię urządzenia lub

akumulatora.

20. Chroń akumulator przed następującymi warunkami:
  - wymianą baterii na niewłaściwy typ, który może spowodować ominięcie zabezpieczenia (np. w przypadku niektórych typów baterii litowych);
  - wrzucanie baterii do ognia lub gorącego pieca, mechaniczne zniszczenie lub przecięcie baterii może spowodować wybuch.
  - pozostawienie baterii w bardzo wysokiej temperaturze otoczenia może doprowadzić do wybuchu lub wycieku palnych cieczy lub gazu.
  - bateria podlega ekstremalnie niskiemu ciśnieniu powietrza, które może spowodować wybuch lub wyciek łatwopalnej cieczy lub gazu.

#### **⚠ UWAGA:**

- **Niebezpieczeństwo wybuchu w przypadku nieprawidłowej wymiany akumulatora.**
- **Używaj tylko oryginalnych akumulatorów Makita. Korzystanie z nieoryginalnych akumulatorów Makita lub akumulatorów, które zostały zmodyfikowane, może doprowadzić do ich pęknięcia, powodując pożar, urazy i uszkodzenia. To również powoduje utratę gwarancji Makita na urządzenie i ładowarkę.**

## **Wskazówki dotyczące utrzymania maksymalnej żywotności akumulatora**

1. Przed pełnym rozładowaniem naładuj akumulator. Zawsze przerywaj działanie i ładuj akumulator, gdy zauważysz mniejszą moc.
2. Nigdy nie ładuj całkowicie naładowanego akumulatora. Przeladowanie skracia żywotność akumulatora.
3. Ładuj akumulator w temperaturze pokojowej 10°C - 40°C (50°F - 104°F). Przed ładowaniem poczekaj, aż gorący akumulator się ochłodzi.
4. Jeżeli nie używasz akumulatora, wyjmij go z urządzenia lub ładowarki.
5. Naładuj akumulator, jeśli nie był używany przez dłuższy okres (ponad sześć miesięcy).

## CZAS PRACY

\* Odpowiednie akumulatory dla tego głośnika są wymienione w poniższej tabeli.

\* Poniższa tabela wskazuje czas pracy na jednym ładowaniu.

Kaseta akumulatora		Pojemność akumulatora	Przy wyjściu głośnika = 100 mW Jednostka: Godzina (w przybliżeniu)			
			Bluetooth		AUX IN	
			LED WŁ.	LED WYŁ.	LED WŁ.	LED WYŁ.
LXT (14.4V)	BL1415N	1.5 Ah	7.0	10	7.5	10
	BL1430B	3.0 Ah	12	16	12	17
	BL1440	4.0 Ah	19	25	20	27
	BL1460B	6.0 Ah	25	34	26	36
LXT (18V)	BL1815N	1.5 Ah	8.0	10	8.5	11
	BL1820B	2.0 Ah	11	14	11	15
	BL1830B	3.0 Ah	15	19	16	20
	BL1840B	4.0 Ah	22	28	22	29
	BL1850B	5.0 Ah	28	36	29	37
	BL1860B	6.0 Ah	34	43	35	45
XGT (36V - 40V max)	BL4020	2.0 Ah	19	23	19	24
	BL4025	2.5 Ah	24	30	25	31
	BL4040(F)	4.0 Ah	39	47	40	49

### **⚠ OSTRZEŻENIE:**

**Należy stosować tylko wymienione wyżej kasety akumulatora. Korzystanie z innych akumulatorów może spowodować obrażenia ciała i/lub pożar.**

### **UWAGA:**

- Powyższa tabela dotycząca czasu pracy akumulatora przedstawiona została w celach informacyjnych.
- Rzeczywisty czas pracy może różnić się w zależności od rodzaju akumulatora i warunków ładowania lub warunków użytkowania.
- Niektóre z wyżej wymienionych baterii i ładowarek mogą być niedostępne w zależności od regionu zamieszkania.

# INSTALACJA I ZASILANIE

## ⚠ UWAGA:

- Uważaj, aby nie przytrzasnąć sobie palców podczas otwierania i zamykania pokryw akumulatora.
- Po włożeniu lub wyjęciu kasety akumulatora przywróć blokadę komory akumulatora do pierwotnej pozycji. W przeciwnym razie akumulator może przypadkowo wypaść z odtwarzacza, powodując obrażenia Twojego ciała lub kogoś w Twoim otoczeniu.
- Zawsze zamykaj i zablokuj komorę akumulatora przed przeniesieniem odtwarzacza.
- Zawsze wyłączaj odtwarzacz przed zamontowaniem lub wyjęciem akumulatora.
- Uważaj, aby nie upuścić ani nie uderzyć w odtwarzacz. Pęknięta osłona może spowodować skaleczenie palca lub wbić się w ciało. Uszkodzony odtwarzacz może zachowywać się w nieprzewidziany sposób, powodując pożar, wybuch lub ryzyko obrażeń.
- Podczas wkładania lub wyjmowania akumulatora mocno trzymaj odtwarzacz i kasetę akumulatora. Niewłaściwe trzymanie odtwarzacza i kasety akumulatora może doprowadzić do wyslizgnięcia się ich z rąk i spowodować ich zniszczenie lub uszkodzenie ciała.

## WAŻNE:

- Zmniejszona moc, zniekształcenie, „jąkający się dźwięk” lub komunikat „niski poziom naładowania baterii” widoczny na wyświetlaczu to wszystkie oznaki, że główny zestaw baterii wymaga wymiany.
- Nie można ładować akumulatora za pomocą dołączonego zasilacza sieciowego.
- Kaseca akumulatora nie wchodzi w skład wyposażenia standardowego.

## Montowanie lub wyjmowanie wsuwanej kasety akumulatora (Rys. 2-4)

- Aby zamontować akumulator, wyrównaj występ na akumulatorze z rowkiem w obudowie i wsuń go na miejsce. Zawsze wkładaj go do końca, aż zaskoczy na miejsce z małym kliknięciem.
- Jeśli widzisz czerwony wskaźnik w górnej części przycisku, to nie jest on całkowicie zablokowany. Wsuń go w pełni, aż czerwony wskaźnik nie będzie widoczny. W przeciwnym razie akumulator może przypadkowo wypaść z odtwarzacza, powodując obrażenia Twojego ciała lub kogoś w Twoim otoczeniu.
- Nie należy używać siły przy wkładaniu kasety akumulatora. Jeśli nie można łatwo wsunąć kasety, to

nie została włożona prawidłowo.

- Aby wyjąć kasetę akumulatora, wyciągnij ją z odtwarzacza, naciskając jednocześnie przycisk na przednim panelu kasety.

## Wskazanie pozostałej pojemności baterii (Rys. 5-6)

Tylko dla wkładów akumulatorowych ze wskaźnikiem

### ➤ 1. Lampki kontrolne 2. Przycisk Check

Kliknij przycisk Check na kasecie akumulatora, aby wskazać pozostałą pojemność akumulatora. Lampki kontrolne zapalą się na kilka sekund.

### • Kaseca akumulatora XGT/LXT

Wskaźnik lub lampki			Pozostała pojemność
Podświetlony	Wył.	Migający	
■	□	▧	75% ~ 100%
■ ■ ■ ■			
■ ■ ■ □			50% ~ 75%
■ ■ □ □			25% ~ 50%
■ □ □ □			0% ~ 25%
▧ □ □ □			Naładuj akumulator
■ ■ □ □	↑	□ □ ■ ■	Możliwe, że akumulator jest uszkodzony
□ □ □ □	↓		

## UWAGA:

- W zależności od warunków pracy i temperatury otoczenia wskaźnik może nieznacznie różnić się od rzeczywistej mocy.
- Pierwsza (skrajnie lewa) lampka kontrolna będzie migać, gdy zadziała system ochrony akumulatora.
- Jeśli poziom naładowania baterii jest niski, wymień akumulator.

## Korzystanie z dołączonego zasilacza sieciowego

Zdejmij gumową osłonę i włóż wtyczkę zasilacza do gniazda prądu stałego po prawej stronie odtwarzacza. Podłącz zasilacz do standardowego gniazda elektrycznego. W przypadku korzystania z zasilacza akumulator rozłączy się automatycznie.

## ⚠ UWAGA:

- **Zawsze odłączaj całkowicie zasilacz sieciowy przed przeniesieniem odtwarzacza. Jeśli zasilacz sieciowy nie zostanie odłączony, może to spowodować porażenie prądem elektrycznym.**

- **Nigdy nie należy ciągnąć i/lub przeciągać przewodu zasilacza. W przeciwnym razie odtwarzacz może przypadkowo spaść, powodując obrażenia ciała użytkownika lub osób znajdujących się w pobliżu.**

#### **WAŻNE:**

- Aby odłączyć odtwarzacz, zasilacz sieciowy należy całkowicie wyjąć z gniazdka sieciowego.
- Należy używać zasilacza sieciowego dostarczonego z produktem lub określony tylko przez firmę Makita.
- Nie należy trzymać przewodu zasilającego i wtyczki przy ustach. Może to spowodować porażenie prądem elektrycznym.
- Nie wolno dotykać wtyczki zasilania mokrymi lub tłustymi rękami.
- Uszkodzone lub zaplątane przewody zwiększają ryzyko porażenia prądem elektrycznym. Jeśli przewód zasilający jest uszkodzony, należy go wymienić w autoryzowanym punkcie serwisowym, aby uniknąć zagrożenia dla bezpieczeństwa. Nie należy go używać przed naprawieniem.
- Po użyciu należy zawsze przechowywać zasilacz sieciowy w miejscu niedostępnym dla dzieci. Dzieci bawiące się przewodem mogą doznać obrażeń.

## **Port zasilania USB**

To złącze może być używane do ładowania telefonu komórkowego lub innego urządzenia, które zużywa mniej niż 2.4A prądu stałego.

Ładowanie odbywa się tylko przy włączonym odtwarzaczu.

**Uwaga:** Upewnij się, że specyfikacja urządzenia zewnętrznego, takiego jak telefon komórkowy lub odtwarzacz jest kompatybilna z odtwarzaczem. Proszę przeczytać instrukcję obsługi swojego urządzenia zewnętrznego przed ładowaniem.

#### **WAŻNE:**

- Przed podłączeniem urządzenia USB do ładowarki zawsze twórz kopię zapasową danych z urządzenia USB. W przeciwnym razie Twoje dane mogą zostać utracone.
- Ładowarka może nie dostarczać energii do niektórych urządzeń USB.
- Jeśli nie używasz kabla USB lub po naładowaniu, odłącz go, a następnie zamknij pokrywę.
- Nie należy podłączać zasilacza do portu USB. W przeciwnym razie istnieje ryzyko pożaru. Port USB służy wyłącznie do ładowania urządzenia z niskim napięciem. Należy zawsze zakładać osłonę na port USB, gdy nie ładuje urządzenia z niskim napięciem.
- Nie wkładaj gwoździa, drutu itp. do portu zasilania USB. W przeciwnym razie, zwarcie obwodu może spowodować dym i pożar.
- Nie podłączaj tego gniazda USB do portu USB

komputera, ponieważ może to doprowadzić do uszkodzenia urządzeń.

## **SŁUCHANIE MUZYKI PRZEZ BLUETOOTH**

Aby odtwarzać/przesyłać muzykę przez głośnik, sparuj urządzenie Bluetooth z głośnikiem, aby włączyć automatyczne połączenie.

#### **Uwaga:**

Aby poprawić jakość dźwięku, zalecamy ustawić głośność na poziomie ponad dwóch trzecich na urządzeniu Bluetooth, a następnie ustawić głośność w odtwarzaczu według potrzeby. Ta operacja jest możliwa tylko wtedy, gdy urządzenie Bluetooth nie ma głośności bezwzględnej.

## **Parowanie urządzenia Bluetooth po raz pierwszy**

1. Naciśnij przycisk zasilania, aby włączyć odtwarzacz. Komunikat „Pair” pojawi się na wyświetlaczu, aby pokazać, że odtwarzacz jest wykrywalny.
2. Aktywuj Bluetooth na swoim urządzeniu według instrukcji obsługi urządzenia, aby połączyć je z odtwarzaczem. Znajdź listę urządzeń Bluetooth i wybierz urządzenie o nazwie „MR014G” (w przypadku niektórych telefonów komórkowych wyposażonych w wcześniejsze wersje niż urządzenie Bluetooth BT.2.1 może być konieczne wprowadzenie hasła „0000”).
3. Po podłączeniu rozlegnie się dźwięk potwierdzenia. Na wyświetlaczu pojawi się komunikat „Paired”. Można wybrać i odtworzyć dowolną muzykę z urządzenia. Poziom głośności można kontrolować poprzez urządzenie źródłowe lub bezpośrednio z odtwarzacza.
4. Użyj przycisków na urządzeniu obsługującym Bluetooth lub bezpośrednio na odtwarzaczu, aby odtwarzać/pauzować i nawigować utwory.

#### **Uwaga:**

- Jeśli dwa urządzenia Bluetooth, parowane po raz pierwszy, będą wyszukiwać odtwarzacza, to jego dostępność pojawi się na obu urządzeniach. Jednak, jeśli jedno urządzenie jako pierwsze połączy się z odtwarzaczem, to inne urządzenie Bluetooth nie znajdzie go na liście.
- Jeśli urządzenie Bluetooth tymczasowo zostanie odłączone od odtwarzacza, to należy ponownie połączyć je ręcznie.
- Jeśli „MR014G” pojawia się na liście urządzeń Bluetooth, ale urządzenie nie może połączyć się z nim, należy usunąć element z listy i ponownie przeprowadzić parowanie urządzenia z odtwarzaczem, postępując zgodnie z wcześniej opisanymi instrukcjami.



- Optymalny zakres transmisji strumieniowej Bluetooth wynosi około 30 metrów (100 stóp) (na linii wzroku) od odtwarzacza, ale możliwa jest też odległość do 100m (328 stóp).
- W przypadku utraty połączenia Bluetooth z powodu przekroczenia czasu separacji, przekroczenia optymalnej odległości, przeszkód lub w inny sposób, konieczne może być ponowne połączenie urządzenia z odtwarzaczem.
- Przeszkody fizyczne, inne urządzenia bezprzewodowe lub urządzenia elektromagnetyczne mogą wpływać na jakość połączenia.
- Wydajność połączenia Bluetooth może różnić się w zależności od podłączonych urządzeń Bluetooth. Proszę odnieść się do funkcji Bluetooth urządzenia przed podłączeniem do odtwarzacza. Nie wszystkie funkcje mogą być obsługiwane w niektórych sparowanych urządzeniach Bluetooth.

### Odtwarzanie plików audio w trybie Bluetooth

Po podłączeniu odtwarzacza do wybranego urządzenia Bluetooth można rozpocząć odtwarzanie muzyki za pomocą elementów sterowania na podłączonym urządzeniu Bluetooth.

1. Po rozpoczęciu odtwarzania dostosuj głośność za pomocą przycisków głośności na odtwarzaczu lub na dostępnym urządzeniu Bluetooth.
2. Użyj przycisków na urządzeniu obsługującym Bluetooth lub bezpośrednio na odtwarzaczu, aby odtwarzać/pauzować i nawigować utwory. Można również sterować odtwarzaniem za pomocą przycisków Odtwarzanie/Pauza, Następny utwór, Poprzedni utwór na odtwarzaczu.
3. Naciśnij i przytrzymaj przycisk przewijania do przodu lub wstecz, aby przewinąć aktualnie odtwarzany utwór. Zwolnij przycisk, gdy zostanie osiągnięty odpowiedni punkt.

#### Uwaga:

- Nie wszystkie aplikacje lub urządzenia odtwarzające mogą reagować na te wszystkie elementy sterujące.
- Niektóre telefony komórkowe mogą tymczasowo odłączyć się od odtwarzacza podczas wykonywania lub odbierania połączeń. Niektóre urządzenia mogą tymczasowo wyłączyć przesyłanie dźwięku Bluetooth po otrzymaniu wiadomości tekstowych, wiadomości e-mail lub z innych powodów, niezwiązanych z transmisją strumieniową dźwięku. Takie zachowanie jest funkcją podłączonego urządzenia i nie wskazuje na uszkodzenie odtwarzacza.
- Podczas odtwarzania w trybie Bluetooth, na wyświetlaczu pojawiają się informacje o utworze, takie jak tytuł, wykonawca, album itp.

### Odtwarzanie wcześniej sparowanego urządzenia źródłowego Bluetooth

Głośnik może zapamiętać maksymalnie 8 sparowanych urządzeń Bluetooth, gdy pamięć przekroczy tę liczbę, w pamięci głośnika zostanie nadpisane najwcześniejsze urządzenie, z którym głośnik był sparowany. Jeśli urządzenie źródłowe Bluetooth zostało wcześniej sparowane z głośnikiem, głośnik będzie nadal pamiętał Twoje urządzenie Bluetooth i w ciągu 1 minuty spróbuje ponownie połączyć się z ostatnio podłączonym urządzeniem. Jeśli ostatnio podłączone urządzenie jest niedostępne, to radio zostanie wykrywalne.

### Odlączenie urządzenia Bluetooth

Naciśnij i przytrzymaj przycisk parowania Bluetooth przez 2-3 sekundy, aż „Pairing” pojawi się na wyświetlaczu lub wyłącz Bluetooth na urządzeniu źródłowym, aby przerwać połączenie.

### Usuwanie sparowanego urządzenia Bluetooth z pamięci

Aby wyczyścić pamięć wszystkich powiązanych urządzeń, naciśnij i przytrzymaj przycisk parowania Bluetooth na dłużej niż 7 sekund, aż na wyświetlaczu pojawi się „Reset”.

## FUNKCJA TWS (TRUE WIRELESS STEREO)

TWS to funkcja, która pozwala jednemu urządzeniu na bezprzewodowe połączenie z innym urządzeniem. Możesz użyć funkcji TWS, aby podłączyć odtwarzacz do innego urządzenia MR014G i odtwarzać muzykę przez dwa głośniki.

### Konfiguracja pierwszego głośnika

1. Upewnij się, że pierwszy głośnik znajduje się w trybie Bluetooth i został połączony z urządzeniem Bluetooth.
2. Naciśnij przycisk Plus, a na wyświetlaczu pojawi się **[ST] : [MULTI]** . **[ST]** będzie migać na wyświetlaczu. Naciśnij przycisk Plus, aby wejść w tryb „Parowania ST”. Jeśli przycisk nie zostanie naciśnięty w ciągu 10 sekund, głośnik również przejdzie w tryb „Parowania ST”. Na wyświetlaczu pojawi się „ST Pair”.

### Konfiguracja drugiego głośnika

1. Upewnij się, że drugi głośnik znajduje się w trybie Bluetooth i został połączony z urządzeniem Bluetooth.
2. Naciśnij przycisk Plus, a na wyświetlaczu pojawi się **[ST] : [MULTI]** . **[ST]** będzie migać na wyświetlaczu. Naciśnij przycisk Plus, aby wejść w tryb „Parowania



ST". Jeśli przycisk nie zostanie naciśnięty w ciągu 10 sekund, głośnik również przejdzie w tryb „Parowania ST”.

Gdy głośniki są poprawnie połączone **L - [ST] - R**, pojawi się na obu wyświetlaczach jednocześnie.

**Uwaga:** Ustaw drugi głośnik w ciągu 1 minuty od pierwszego, w przeciwnym razie ustawienie pierwszego głośnika zostanie anulowane.

## Rozpoczęcie odtwarzania

1. Rozpocznij odtwarzanie na podłączonym urządzeniu Bluetooth i dostosuj poziom głośności w urządzeniu Bluetooth lub jednym z głośników dla komfortowego słuchania muzyki.

**Uwaga:** ustawienia głośności lub korektora jednego głośnika będą odzwierciedlone w drugim.

2. Użyj przycisków na urządzeniu obsługującym Bluetooth lub bezpośrednio na radiu, aby odtwarzać/pauzować i nawigować utwory. Można również sterować odtwarzaniem za pomocą przycisków Odtwarzanie/Pauza, Następny utwór, Poprzedni utwór na którymkolwiek głośniku.
3. Naciśnij i przytrzymaj przycisk przewijania do przodu lub przycisk przewijania do tyłu na którymkolwiek głośniku, aby poruszać się po bieżącym utworze. Zwolnij przycisk, gdy zostanie osiągnięty odpowiedni punkt.

## Przełączanie trybu dźwięku

1. Za pomocą dwóch odtwarzaczy można przełączać między trybem **L - [ST] - R**, **R - [ST] - R** i **L - [ST] - L**.
2. Naciśnij przycisk L/R na którymś z urządzeń, aby zmienić tryb dźwięku.
3. **Tryb L - [ST] - R** : Oba urządzenia odtwarzają ten sam dźwięk. To jest ustawienie początkowe.
4. **Tryb R - [ST] - R** i **L - [ST] - L** : Jedno urządzenie odtwarza dźwięk na prawym kanale, podczas gdy drugie urządzenie odtwarza dźwięk na lewym kanale.

## Wyłączenie funkcji TWS

Naciśnij i przytrzymaj przycisk Plus, aby wyłączyć funkcję TWS.

## KORZYSTANIE Z BEZPRZEWODOWEGO ODTWARZANIA ZA POMOCĄ WIELU GŁOŚNIKÓW

Możesz cieszyć się muzyką jednocześnie, łącząc do 10 urządzeń, które są kompatybilne z tą funkcją.

## Konfiguracja pierwszego głośnika

1. Upewnij się, że pierwszy głośnik znajduje się w trybie Bluetooth i został połączony z urządzeniem Bluetooth.
2. Naciśnij przycisk Plus, a na wyświetlaczu pojawi się **[ST] - [MULTI]**.
3. Wybierz **[MULTI]** naciskając przycisk L/R. **[MULTI]** zacznie migać na wyświetlaczu. Naciśnij przycisk Plus, aby wejść w tryb „Parowania MULTI”. Jeśli przycisk nie zostanie naciśnięty w ciągu 10 sekund, głośnik również przejdzie w tryb „Parowania MULTI”. Na wyświetlaczu pojawi się „MULTI Pair”.

## Konfiguracja drugiego głośnika

1. Upewnij się, że drugi głośnik jest w trybie „Parowania” Bluetooth.
2. Naciśnij przycisk Plus, a na wyświetlaczu pojawi się **[ST] - [MULTI]**.
3. Wybierz **[MULTI]** naciskając przycisk L/R. **[MULTI]** zacznie migać na wyświetlaczu. Naciśnij przycisk Plus, aby wejść w tryb „Parowania MULTI”. Jeśli przycisk nie zostanie naciśnięty w ciągu 10 sekund, głośnik również przejdzie w tryb „Parowania MULTI”. Po pomyślnym podłączeniu głośników na wyświetlaczu pierwszego głośnika pojawi się komunikat „PARENT” (wskazujący głośnik główny), a na wyświetlaczu drugiego głośnika pojawi się napis „CHILD” (wskazujący głośnik dodatkowy).

**Uwaga:** Ustaw drugi głośnik w ciągu 1 minuty od pierwszego. Podczas dodawania nowego głośnika dodatkowego, 1 minuta zostanie ponownie przeliczona.

## Dodawanie drugiego nowego głośnika

Jeśli chcesz połączyć trzeci lub kolejny nowy głośnik, postępuj zgodnie z następującymi krokami:

1. Upewnij się, że nowy głośnik jest w trybie „Parowania” Bluetooth.
2. Naciśnij przycisk Plus na głównym głośniku, a na wyświetlaczu pojawi się „MULTI ADD”.
3. Naciśnij przycisk Plus na nowym głośniku, a na wyświetlaczu pojawi się **[ST] - [MULTI]**.
4. Wybierz **[MULTI]** naciskając przycisk L/R. **[MULTI]** zacznie migać na wyświetlaczu. Naciśnij przycisk Plus, aby wejść w tryb „Parowania MULTI”. Jeśli przycisk nie zostanie naciśnięty w ciągu 10 sekund, głośnik również przejdzie w tryb „Parowania MULTI”. Po pomyślnym podłączeniu głośników na nowym głośniku wyświetli się komunikat „CHILD” (wskazujący głośnik dodatkowy).

## Rozpoczęcie odtwarzania

1. Rozpocznij odtwarzanie na podłączonym urządzeniu Bluetooth i dostosuj poziom głośności na urządzeniu

Bluetooth lub jednym z głośników dla komfortowego słuchania muzyki. Ta sama muzyka będzie odtwarzana na wszystkich głośnikach.

**Uwaga:** z pozostałymi głośnikami będą synchronizowane tylko ustawienia głośności lub korektora dźwięku głównego głośnika. W przypadku pozostałych głośników należy ustawić głośność lub korektor każdego głośnika osobno.

2. Użyj przycisków na urządzeniu obsługującym Bluetooth lub bezpośrednio na radiu, aby odtwarzać/pauzować i nawigować utwory. Można również sterować odtwarzaniem za pomocą przycisków Odtwarzanie/Pauza, Następny utwór, Poprzedni utwór na głównym głośniku.
3. Naciśnij i przytrzymaj przycisk przewijania do przodu lub przycisk przewijania do tyłu na głównym głośniku, aby poruszać się po bieżącym utworze. Zwolnij przycisk, gdy zostanie osiągnięty odpowiedni punkt.

## Odlączenie kilku głośników

- Aby odłączyć tylko jeden dodatkowy głośnik, naciśnij i przytrzymaj przycisk Plus na dodatkowym głośniku, który chcesz odłączyć.
- Aby odłączyć wszystkie połączenia i wyjść z grupy kilku urządzeń, naciśnij i przytrzymaj przycisk Plus na głównym głośniku.

## WYBÓR FUNKCJI PODŚWIETLANIA

1. Naciśnij przycisk zasilania, aby włączyć głośnik.
2. Naciśnij przycisk Menu, a następnie naciśnij przycisk Poprzedni utwór, aby przejść do ustawień.
3. Naciśnij przycisk Następny utwór lub Poprzedni utwór, aby wybrać żądaną funkcję podświetlenia. Następnie naciśnij przycisk Play/Pauza, aby potwierdzić swój wybór.



Wybranie tej opcji oznacza, że podświetlenie LED jest wyłączone.



Wybranie tej opcji oznacza, że podświetlenie LED świeci się w sposób ciągły. (Domyślnie)



Wybranie tej opcji oznacza, że podświetlenie LED będzie migać w rytm muzyki. Jest bardziej skuteczna w przypadku muzyki o mocnym rytmie.

**Uwaga:** ta funkcja jest odpowiednia w przypadku muzyki

o mocnym rytmie. W przeciwnym razie podświetlenie LED może nie migać.

## FUNKCJA KOREKTORA

1. Naciśnij przycisk zasilania, aby włączyć głośnik.
2. Naciśnij przycisk Menu, a następnie naciśnij przycisk Play/Pauza, aby przejść do menu ustawienia korektora.
3. Naciśnij przycisk Następny utwór lub Poprzedni utwór, aby wybrać żądany tryb korektora lub skonfigurować własny tryb korektora. Następnie naciśnij przycisk Play/Pauza, aby potwierdzić swój wybór. Dostępne tryby korektora to: „FLAT”, „JAZZ”, „ROCK”, „CLASSIC”, „POP”, „NEWS” i „MY EQ”.
4. Jeśli w kroku 3 wybrano „MY EQ”, użyj przycisków Następny utwór, Poprzedni utwór i Odtwórz/Pauza, aby następnie skonfigurować poziomy tonów wysokich, średnich i niskich.

**Uwaga:** Jeśli zwiększysz głośność, jednocześnie podkreślając basy za pomocą korektora, mogą wystąpić trzaski lub zniekształcenia. W tym przypadku, dostosuj głośność.

## WEJŚCIE MIKROFONU

Po prawej stronie głośnika znajduje się gniazdo mikrofonu 6,3mm, umożliwiające podłączenie mikrofonu (nie należy do zestawu).

1. Podłącz mikrofon do gniazda mikrofonu (MIC).
2. Naciśnij przycisk zasilania, aby włączyć głośnik.
3. Włącz mikrofon.
4. Naciśnij przyciski zwiększania/zmniejszania głośności na głośniku, aby ustawić żądany poziom.

**Uwaga:**

Nie umieszczaj mikrofonu obok głośnika, może to spowodować powstanie echa zwrotnego i uszkodzenie głośnika.

## Ustawienia głośności mikrofonu

1. Naciśnij przycisk zasilania, aby włączyć głośnik.
2. Naciśnij przycisk Menu, a następnie naciśnij przycisk Następny utwór, aby przejść do ustawień.
3. Naciśnij przycisk Następny utwór lub Poprzedni utwór, aby wybrać żądany poziom głośności mikrofonu. Następnie naciśnij przycisk Play/Pauza, aby potwierdzić swój wybór.

## ODTWARZANIE MUZYKI PRZEZ WEJŚCIE POMOCNICZE

Dodatkowe gniazdo wejściowe 3,5mm znajduje się po prawej stronie urządzenia, aby umożliwić

doprowadzenie sygnału audio z dowolnego urządzenia wyposażonego w słuchawki lub wyjście audio, takiego jak odtwarzacz MP3 lub CD.

1. Podłącz źródło dźwięku stereo lub mono (na przykład odtwarzacz MP3 lub CD) do pomocniczego gniazda wejściowego (oznaczonego „AUX IN”), odtwarzacz zostanie przełączony z trybu Bluetooth na dodatkowy tryb wejściowy.
2. Ustaw głośność w odtwarzaczu MP3 lub CD, aby zapewnić odpowiedni sygnał, a następnie dostosuj głośność odtwarzacza dla wygodnego odtwarzania.

**Uwaga:**

W trybie AUX IN zaleca się ustawienie głośności zewnętrznego urządzenia audio na dwie trzecie lub więcej. Następnie dostosuj głośność głośnika zgodnie z potrzebami, aby uzyskać optymalną jakość dźwięku. Jeśli głośność urządzenia audio zostanie ustawiona na niższą niż dwie trzecie, dioda LED może nie migać. Wyświetlacz nie pokazuje informacji, takich jak tytuł, wykonawca, album itp., podczas odtwarzania za pośrednictwem pomocniczego gniazda wejściowego.

## KONSERWACJA

**⚠ UWAGA:**

- **Nigdy nie używaj paliwa, benzyny, rozcieńczalnika, alkoholu itp. Może to doprowadzić do odbarwień, odkształceń lub pęknięć.**
- **Nie czyść odtwarzacza wodą.**

# SPECYFIKACJA

## Wzmacniacz

Moc wyjściowa	14.4V: 15W 18V: 20W 36V: 20W
Pasma przenoszenia	50Hz~20kHz
<b>Pomocnicze gniazdo wejściowe</b>	
Czułość wejściowa	300mVrms @100Hz
<b>Głośnik</b>	
Główny głośnik	140.8mm x 1 6ohm 25W
Głośnik wysokotonowy	40mm x 1 6ohm 10W
Pasywny radiator	100,7mm x 2

## Bluetooth®

(Znak słowny i logo Bluetooth® są zarejestrowanymi znakami handlowymi będącymi własnością Bluetooth SIG, Inc.)

Wersja Bluetooth	Certyfikowany 5.1
Profile Bluetooth	A2DP/SCMS-T/AVRCP
Moc transmisji	Moc Class 1
Zakres transmisji	Optymalny: Maksymalnie 30 metrów (100 stóp) Możliwy: Maksymalnie 100 metrów (328 stóp) (w zależności od warunków użytkowania)
Obsługiwane kodeki	SBC, AAC, aptX™, aptX™ HD
Kompatybilny profil Bluetooth	A2DP/AVRCP
Maksymalna moc częstotliwości odtwarzacza	BT EDR: 4.56dBm BT LE: 4.65dBm
Częstotliwość pracy	2402MHz~2480MHz

## Wejście do ładowania USB

Maksymalna moc zasilająca port USB	5V, 2.4A
------------------------------------	----------

## Ogólne

Zasilacz sieciowy	Prąd stały 18V 2A, centralny styk dodatni
-------------------	---

Akumulator	Akumulator wsuwany: 14.4V 18V 36V
Terminal wejściowy	średnica 3,5mm (AUX IN) średnica 6,3mm (MIKROFON)
Wymiary (szer. x wys. x gł.)	236mm × 205mm × 243mm
Waga	3.8kg (bez akumulatora)

## Informacje o zużyciu energii

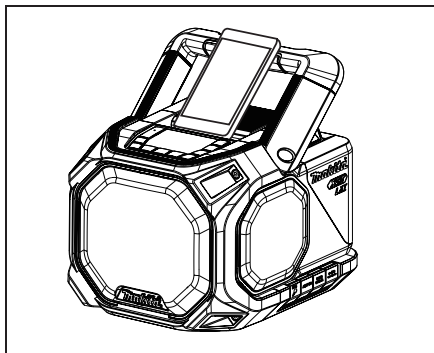
Tryb wyłączony	Urządzenie to nie posiada trybu czuwania, a jego pobór mocy w trybie wyłączenia wynosi poniżej 0,3W.
Tryb Bluetooth	W trybie Bluetooth, gdy nie ma sygnału wyjściowego, pobór mocy w stanie bezczynności wynosi poniżej 2W po 15 minutach.
Tryb AUX	W trybie AUX, gdy nie ma sygnału wyjściowego, pobór mocy w stanie bezczynności wynosi poniżej 0,8W po 15 minutach.

Firma zastrzega sobie prawo do wprowadzania zmian w specyfikacji bez powiadomienia.

## MAGYAR (Eredeti útmutató)

### AZ ÁLTALÁNOS NÉZET RÉSZLETEZÉSE (1. ábra)

1. Az akkutartó rekesz zárja
2. Fogó
3. Az akkutartó rekesz fedele (Az akkukazettát fedi)
4. Passzív hangszóró
5. DC in bemenet
6. USB töltőaljzat
7. Aux bemenet
8. Mikrofon bemenet
9. LED jelzőfény
10. Speaker
11. Mélyedés okostelefonhoz



12. LCD kijelző
13. Hangerő fel gomb
14. Hangerő le gomb
15. Plusz gomb (párosítás gomb)
16. L/R gomb
17. Következő zeneszám/gyorskeresés előre
18. Lejátszás/Szünet gomb
19. Előző zeneszám/visszatekerés
20. Menu gomb
21. A Bluetooth párosítás gombja
22. Bekapcsológomb
23. LXT akkumulátor-terminál
24. XGT akkumulátor-terminál

## SZIMBÓLUMOK

Az alábbiakban a készülékkel kapcsolatos szimbólumokról olvashat. Fontos, hogy használat előtt ezekkel tisztában legyen.



Olvassa el a használati útmutatót.



Csak az EU tagországaiban.

A veszélyes alkatrészek miatt az elhasznált elektromos és elektronikus berendezések, akkumulátorok és elemek rossz hatással vannak a környezetre és az emberi egészségre.

Az elektromos és elektronikus készülékek, elemek nem a háztartási hulladékba valók!

Az elhasznált elektromos és elektronikus berendezésekről, valamint az akkumulátorokról és elemekről szóló európai irányelvnek, valamint a nemzeti jogszabályoknak való alkalmazkodásnak megfelelően az elhasznált elektromos berendezéseket, elemeket és akkumulátorokat külön kell tárolni, és az adott település külön gyűjtőhelyére kell szállítani, a környezetvédelmi előírásoknak megfelelően.

Ezt a berendezésen található áthúzott kerek kuka szimbóluma jelzi.



### Qualcomm® aptX™ HD

A Qualcomm aptX a Qualcomm Technologies, Inc. és/vagy leányvállalatainak terméke. A Qualcomm a Qualcomm Incorporated védjegye, az Egyesült Államokban és más országokban bejegyezve. Az aptX a Qualcomm Technologies International, Ltd. védjegye, az Egyesült Államokban és más országokban bejegyezve.

## FONTOS BIZTONSÁGI UTASÍTÁSOK

### ⚠ FIGYELMEZTETÉS:

Elektromos eszközök használata során mindig tartsa be az alapvető biztonsági utasításokat, így csökkentheti a tüzesetek, áramütés és a személyi sérülések kockázatát. Ezek az alábbiak:

1. Használat előtt figyelmesen olvassa el ezt a használati útmutatót és a töltő utasításait.
2. A készüléket csak száraz ruhával tisztítsa.
3. A készüléket ne szerelje be hőforrások közelébe, pl. radiátorok, hőszugárzók, kályhák, erősítők stb., melyek hőt termelnek.
4. Kizárólag a gyártó által megadott csatlományokat és alkatrészeket és kellékeket használja.
5. Viharok esetén, illetve ha hosszabb ideig nem kívánja használni, a készülék elektromos csatlakozóját húzza ki a konnektorból.

6. A beépített akkumulátorral vagy különálló akkumulátorral működő hangszórót csak az akkumulátorhoz meghatározott töltővel szabad feltölteni. Az egy adott akkumulátorhoz való töltő tűzveszélyes lehet, ha más akkumulátorhoz használják.
7. Az akkumulátorral működő hangszórót csak külön az ahhoz tervezett akkumulátoregységgel használja. Egyéb akkumulátorok használata tűzveszélyes jár.
8. Ha az akkumulátor-egységet nem használja, tartsa távol irodai kapcsoktól, pénzérméktől, kulcsoktól, szögektől, csavaroktól és minden egyéb olyan tárgytól, mely a csatlóponthoz közelíthető. Az akkumulátor csatlóponthoz rövidzárlata következtében szikrák keletkezhetnek, illetve égési sérülésekkel és tüzesettel is járhat.
9. Ne kerüljön a testfelületére érintkezésbe olyan földelt felületekkel, mint például csövek, radiátorok, vízmelegítők vagy hűtőgépek. Az áramütés veszélye fokozottan fennáll, ha a teste földelve van.
10. Helytelen használat esetén az akkumulátorból folyadék távozhat; kerüljön ezzel minden érintkezést. Ha véletlenül érintkezésbe került a folyadékkal, öblítse le vízzel. Ha a folyadék a szembe jut, vegyen igénybe orvosi segítséget. Az akkumulátorból kiszivárgó folyadék irritációt és égési sérüléseket okozhat.
11. Ne használjon sérült vagy módosított akkumulátor-egységeket vagy eszközöket. A sérült vagy módosított akkumulátorok működése kiszámíthatatlan lehet, mely tüzesethez, robbanáshoz és sérülésekhez vezethet.
12. Akkumulátor-egységeket, eszközöket ne tegyen ki nyílt lángnak vagy magas hőmérsékletnek. A tűz vagy a 130°C (266°F) feletti hőmérséklet robbanást okozhat.
13. Az akkumulátor-egységek vagy eszközök töltéséhez kövesse a töltésre vonatkozó utasításokat, és ne végezzen töltést az útmutatóban megadott hőmérsékleti tartományon kívül. A helytelen, vagy a megadott hőmérsékleti tartományon kívüli töltés tehet az akkumulátorban, és fokozott tűzveszéllyel is járhat.
14. A hálózati csatlakozó a készülék áramtalanítására szolgál, melynek működőképes állapotban kell maradnia.
15. Ne használja a terméket túl nagy hangerőn hosszú időn keresztül. A halláskárosodás megelőzése érdekében a terméket mérsékelt hangerőn üzemeltesse.
16. (Csak LCD kijelzővel rendelkező termékekhez) Az LCD kijelzők olyan folyadékot tartalmaznak, mely irritációt és mérgezést okozhat. Ha a folyadék a szembe, a szájba vagy a bőrre jut, öblítse le vízzel

és forduljon orvoshoz.

17. Ne tegye ki a terméket esőnek vagy nedvességnek. Ha a készülék belsőbe víz jut, az növeli az áramütés kockázatát.
18. A készüléket akkor használhatják gyermekek és csökkentett fizikai, érzékszervi vagy szellemi képességű személyek, illetve olyanok, akik nem rendelkeznek a kellő tudással és tapasztalattal, ha egy, a biztonságukért felelős személy számukra felügyeletet biztosít és a készülék használatával kapcsolatban utasításokkal látja el őket. A gyermekek számára biztosítson felügyeletet, hogy azok ne játszassanak a termékkel. A terméket tárolja gyermekek számára nem elérhető helyen.
19. Ne tegye ki a hangszórót hőnek vagy tűznek, és ne hagyja forró helyeken, például hőforrások közelében, ne tegye ki közvetlen napfénynek és ne hagyja napon álló járművekben sem. Ez tüzesethez vagy robbanáshoz vezethet, és személyes sérülést okozhat.
20. Helyezze a berendezést egy vízszintes, sík felületre, vagy rögzítse a berendezést egy stabil helyen. Ellenkező esetben a termék leeshet.

## ŐRIZZE MEG EZT AZ ÚTMUTATÓT

### TERMÉKSPECIFIKUS BIZTONSÁGI SZABÁLYOK AKKUTARTÓ REKESZ

1. Az akkutartó rekesz használatának megkezdése előtt olvasson el minden figyelmeztető jelzést az (1) akkutartó rekeszen.
2. Ne szerelje szét az akkutartó rekeszt.
3. Ha a működési idő túlzottan lerövidül, azonnal függesse fel a használatot. Ez túlhevülésveszéllyel járhat, gyulladást vagy robbanást okozhat.
4. Ha az akkumulátor folyadéka a szemébe kerül, öblítse ki tiszta vízzel, majd azonnal forduljon orvoshoz. Ez vakságot is okozhat.
5. Ne zárja rövidre az akkutartó rekeszt:
  - (1) Ne érjen a csatlóponthozhoz semmilyen vezető anyaggal.
  - (2) Ne tárolja az akkutartó rekeszt egy tárolóban más fém tárgyakkal, például szögekkel, pénzérmékkel, stb.
  - (3) Ne tegye ki az akkutartó rekeszt víznek vagy esőnek. Az akkumulátor rövidzárlata nagymennyiségű elektromos áram átfolyásával és túlhevüléssel járhat, gyulladást okozhat, vagy akár tönkre is mehet.
6. Ne tárolja és ne használja a szerszámot és az akkutartókat olyan helyen, ahol a hőmérséklet

elérheti vagy meghaladhatja az 50°C-ot (122°F).

7. Ne próbálja elégetni az akkutartó rekeszt még akkor sem, ha az némileg sérült vagy már teljesen elhasználódott. Az akkutartó rekesz tűzben felrobbanhat.
8. Ügyeljen arra, hogy ne ejtse le az akkumulátort, és azt ne érje erős ütés sem.
9. Ne használja az akkumulátort, ha az sérült.
10. A kockázatok elkerülése érdekében használat előtt olvassa el a cserélhető akkumulátor kezelési útmutatóját.
11. A készülék lítium-ion akkumulátoraira a törvény szerint a veszélyes árukra vonatkozó követelmények vonatkoznak. Üzleti célú szállítás során, tehát harmadik feleknél, szállítócégeknél figyelembe kell venni a csomagoláson és a címkéken feltüntetett különleges előírásokat.  
A termék szállítása előtt igénybe kell venni egy veszélyes árukra specializálódott szakember tanácsát. Kérjük, részletesen tanulmányozza az országos szabályozásokat is.  
Ragasszon vagy takarjon le minden nyílt csatlakozási pontot. Az akkumulátort csomagolja be úgy, hogy az ne tudjon mozogni a csomagolásban.
12. Az akkukazetta kiselejtezésekor vegye azt ki a készülékből és szabaduljon meg tőle biztonságos helyen. Az akkumulátorok kiselejtezésekor kövesse a helyi előírásokat.
13. Az akkumulátorokat csak a Makita által megadott termékekhez használja. Ha az akkumulátor nem vele kompatibilis termékbe kerül, az tüzeset, túlhevülést, vagy az elektrolit szivárgásához vezethet.
14. Ha a készüléket hosszabb ideig nem használja, vegye ki belőle az akkumulátort.
15. Ügyeljen arra, hogy ne maradjon forgács, por vagy homok csatlakozópontjaiban, nyílásaiban vagy az akkukazetta vájataiban. Az a teljesítmény gyengüléséhez és a készülék vagy az elemkazetta súlyos károsodásához vezethet.
16. Az akkumulátort tartsa gyermekektől távol.
17. Használat közben és az után az akkukazetta felmelegedhet, mely égési sérüléseket, alacsony hőmérsékletű égéseket okozhat.
18. Ne érjen a készülék csatlakozópontjához közvetlenül használat után, mert az eléggé felforrósodik ahhoz, hogy égési sérülést okozzon.
19. Ne használja az akkukazettát magasfeszültségű elektromos vezetékek közelében, kivéve, ha az eszköz támogatja a magasfeszültségű vezetékek használatát. Az meghibásodáshoz vagy a készülék vagy az akkukazetta súlyos károsodásához vezethet.
20. Óvja az akkumulátort az alábbi feltételektől:

- az akkumulátor cseréje nem megfelelő típusú akkumulátorra, amely kiiktathat egy biztosítékot (például egyes lítium akkumulátor típusok esetében);
- az akkumulátor tűzbe vagy forró sütőbe dobása, vagy az akkumulátor mechanikus összezúzása vagy felvágása, mert az robbanáshoz vezethet;
- az akkumulátor rendkívül magas hőmérsékletű környezetben hagyása, ami robbanáshoz vagy gyúlékony folyadékok vagy gázok szivárgásához vezethet; valamint
- az akkumulátor rendkívül alacsony légnyomású helyre helyezése, ami robbanáshoz vagy gyúlékony folyadékok vagy gázok szivárgásához vezethet.

#### **FIGYELEM:**

- **Az akkumulátor helytelen behelyezése robbanáshoz vezethet.**
- **Kizárólag eredeti Makita akkumulátorokat használjon. A nem eredeti, vagy módosított akkumulátorok felrobbanhatnak, tüzesetet, személyi sérüléseket és károkat okozhatnak. Emellett a Makita eszközre és a töltőre vonatkozó jótállás is érvényét veszti.**

## **Tippek az akkumulátor élettartamának meghosszabbításához**

1. Töltse fel az akkutartó rekeszt, mielőtt az teljes mértékben lemerülne. Minden esetben függessze fel a használatot és töltse fel az akkutartó rekeszt, amint észleli, hogy a készülék teljesítménye gyengül.
2. Soha ne töltse az akkutartó rekeszt, amikor az teljes mértékben fel van töltve. A túltöltés megrövidíti az akkumulátor élettartamát.
3. Az akkutartó rekesz töltését végezze, szobahőmérsékleten 10°C - 40°C (50°F - 104°F). Töltés előtt várja meg, míg az akkutartó rekesz lehül.
4. Ha nem használja az akkukazettát, vegye ki a készülékből vagy a töltőből.
5. Töltse fel az akkutartó rekeszt, ha azt hosszabb ideig (hat hónapot meghaladó ideig) nem kívánja használni.

# MŰKÖDÉSI IDŐ

\* A hangszóróhoz használható akkupakkok listája az alábbi táblázatban található.

\* Az alábbi táblázatban látható a működési idő egy töltéssel.

Akkuzetta		Az akkumulátor kapacitása	A HANGSZÓRÓ KIMENETÉNÉL = 100mW Egység: Óra (körülbelül)			
			Bluetooth		AUX IN	
			LED BEKAPCSOLVA	LED KIKAPCSOLVA	LED BEKAPCSOLVA	LED KIKAPCSOLVA
LXT (14,4V)	BL1415N	1.5 Ah	7.0	10	7.5	10
	BL1430B	3.0 Ah	12	16	12	17
	BL1440	4.0 Ah	19	25	20	27
	BL1460B	6.0 Ah	25	34	26	36
LXT (18V)	BL1815N	1.5 Ah	8.0	10	8.5	11
	BL1820B	2.0 Ah	11	14	11	15
	BL1830B	3.0 Ah	15	19	16	20
	BL1840B	4.0 Ah	22	28	22	29
	BL1850B	5.0 Ah	28	36	29	37
	BL1860B	6.0 Ah	34	43	35	45
XGT (36V - 40V max)	BL4020	2.0 Ah	19	23	19	24
	BL4025	2.5 Ah	24	30	25	31
	BL4040(F)	4.0 Ah	39	47	40	49

## FIGYELEM:

**Kizárólag a fent felsorolt akkuzettákat használja. Azoktól eltérő kazetták használata sérülésekhez és/vagy tüzesettséghez vezethet.**

## Megjegyzés:

- Az akkumulátorok készenléti idejét bemutató táblázat adatai tájékoztató jellegűek.
- A valós üzemidő függhet az akkumulátor típusától, a töltés feltételeitől és a használati környezettől is.
- A fent felsorolt akkuzetták és töltők némelyike a tartózkodási helyétől függően lehet, hogy nem lesz elérhető.



# BEÜZEMELÉS ÉS ÁRAMELLÁTÁS

## ⚠ Figyelem:

- Vigyázzon arra, hogy ne csípje be az ujjait, amikor lezárja az akkumulátor rekeszének a fedelét.
- Az akkukazetta behelyezése és kivétele után állítsa vissza az eredeti állásba az akkumulátor rekeszének zárját. Ellenkező esetben az akkukazetta véletlenül kieshet a hangszóróból, sérülést okozva Önnek vagy a körülötte állóknak.
- A hangszóró szállítása előtt mindig zárja le az akkutartó rekesz zárját.
- A rádió beüzemelése vagy az akkukazetta kivétele előtt mindig kapcsolja ki a hangszórót.
- Vigyázzon, hogy ne ejtse le vagy üsse meg a hangszórót. A törött borítás megvághatja az ujjait vagy megütheti a testét. Ha a hangszóró megsérül, kiszámíthatatlanul viselkedhet és tüzesetet, robbanást vagy sérülést okozhat.
- Az akkukazetta behelyezésekor vagy kivételekor tartsa a hangszórót és az akkukazettát erősen. Ha a hangszórót és az akkukazettát nem tartja elég erősen, azok kicsúszhatnak a kezéből, és mind a hangszóró, mind pedig az akkukazetta megsérülhet, és személyi sérülések is történhetnek.

## FONTOS:

- Ha a teljesítmény csökken, ha a hang akadozik, illetve megjelenik alacsony akkutöltöttség ikonja a kijelzőn azt jelzik, hogy a fő akkumulátorcsomagot ki kell cserélni.
- Az akkukazettát lem lehet a mellékelt hálózati adapteren keresztül feltölteni.
- Az akkukazetta nincs a standard tartozékok közt.

## A csúsztatható akkutartó rekesz beszerlése és eltávolítása (2-4. ábra)

- Az akkutartó rekesz beszereléséhez illessze az elemtartó rekesz nyelvét a borításon lévő vágathoz, majd csúsztassa az be a helyére. Mindig teljes mértékbe illessze helyre egészen addig, míg az a helyére nem kattant.
- Ha látható a piros rész a gomb felső oldalán, akkor a gomb nem kattant be teljesen. Helyezze be az akkumulátort teljesen, amíg a piros rész el nem tűnik. Ha ez nem történik meg, akkor az akkumulátor kieshet a hangszóróból, és sérülést okozhat Önnek vagy a környezetében lévő más személyeknek.
- Az akkutartó rekeszt ne erőltesse a helyére. Ha a rekesz nem csúszik be könnyedén, akkor nem megfelelően került behelyezésre.
- Az akkukazetta kivételéhez csúsztassa azt ki a hangszóróból, miközben a kazetta elején lévő gombot

nyomva tartja.

## A maradék akkufeszültség jelzése (5-6. ábra)

Csak a kijelzéssel ellátott akkukazettákhoz

### ➤ 1. Jelzőfény

### 2. Ellenőrző gomb

A maradék akkufeszültség ellenőrzéséhez nyomja meg az ellenőrző gombot az akkutartó rekeszen. A jelzőfények egy pár másodpercre kigyulladnak.

### • XGT/LXT akkukazetta

Jelzőfények			Maradék akkufeszültség
Világít Nem	Ég	Villog	
			75% ~ 100%
			50% ~ 75%
			25% ~ 50%
			0% ~ 25%
			Az akkumulátor töltése
			Az akkumulátor meghibásodhatott

## MEGJEGYZÉS:

- A külső hőmérsékleti viszonyoktól függően a jelzés kissé eltérhet a valós akkufeszültségtől
- Az első (bal szélső) jelzőfény felvillan, amikor az akkumulátor védelmi rendszere működésben van.
- Ha az akkumulátor töltöttsége alacsony, cserélje ki az akkumulátort.

## A mellékelt AC hálózati adapter használata

Távolítsa el a védőgumit és illessze be az adaptert a hangszóró jobb oldalán lévő DC aljzatba. Ezután dugja be az adaptert egy standart hálózati konnektorba. Amikor az adaptert használja, az akkumulátoregység automatikusan lekapcsol.

## ⚠ Vigyázat:

- A hangszóró szállítása előtt minden esetben szüntesse meg az adapter csatlakozását. Ha a csatlakozást nem szünteti meg, az áramütést okozhat.
- Soha ne húzza, rángassa az adapter vezetékét. Ennek következtében a hangszóró véletlenül leeshet és Ön vagy a körülötte állók megsérülhetnek.

## FONTOS:

- A rádió hálózati csatlakoztatásának megszüntetéséhez az adapter csatlakozóját teljesen ki kell húzni a konnektorból.
- Csak a termékhez mellékelte és a Makita által meghatározott AC hálózati adaptert használja.
- Ne tartsa és ne csatlakoztassa az elektromos vezetékét a szájával, mert az áramütéshez vezethet.
- Ne érjen az elektromos csatlakozóhoz nedves vagy zsíros kézzel.
- A sérült vagy összegubancolódott vezetékek áramütést okozhatnak. Ha a vezeték megsérült, a biztonsági kockázatok elkerülése érdekében azt egy arra jogosult szervizközpontban cseréltesse ki. Szereltesse meg, mielőtt használná.
- Használat után tárolja az AC hálózati adaptert gyermekek számára nem elérhető helyen. Ha a gyermekek a vezetékkel játszanak, megsérülhetnek.

## Az USB áramellátás aljzata

Ez a csatlakozó mobiltelefonok, illetve kevesebb, mint 2,4A DC árammal üzemelő egyéb készülékek töltésére használható. A töltés csak a hangszóró bekapcsolt állapotában történik.

**Megjegyzés:** Ellenőrizze, hogy külső eszköze, például mobilkészüléke műszaki jellemzői kompatibilisak-e a hangszóróval. Töltés előtt olvassa el külső készüléke használati útmutatóját.

## FONTOS:

- Mielőtt az USB-készüléket a töltőhöz csatlakoztatná, végezze el annak a biztonsági mentését. Ellenkező esetben esetleges adatvesztés is történhet.
- A töltő nem alkalmas egyes USB-készülékek töltésére.
- Töltés után, vagy ha nem használja, szüntesse meg az USB kábel csatlakoztatását és zárja le a fedőt.
- Ne csatlakoztasson az USB aljzathoz semmilyen áramforrást. Ezzel tüzesetet is okozhat. Az USB aljzat alacsony feszültségű készülékek töltésére szolgál. Mindig csukja le az USB aljzat fedelét, ha épp nem végzi alacsony feszültségű készülékek töltését.
- Ne illeszen szöveget, drótokat stb. az USB aljzatába. Ezzel rövidzárlatot okozhat, mely következtében füst vagy tűz keletkezhet.
- Ne csatlakoztassa számítógépét ebbe az USB aljzatba, mert ezzel kárt tehet a készülékekben.

## ZENEHALLGATÁS BLUETOOTH-ON KERESZTÜL

Ha Bluetoothon keresztül zenét szeretne lejátszani/streamelni a hangszórón keresztül, párosítsa Bluetooth-eszközét a hangszóróval az automatikus kapcsolódás

engedélyezéséhez.

## Megjegyzés:

A jobb hangminőség érdekében ajánlatos a Bluetooth eszköz hangerejét kétharmad fölé állítani, majd azután módosítani a hangfal hangerejét kívánság szerint. Ez a művelet csak akkor érvényes, ha a Bluetooth-eszköz nem abszolút hangerőn van.

## Bluetooth-eszköze párosítása az első alkalommal

1. A hangszóró bekapcsolásához nyomja meg a bekapcsológombot. A kijelzőn a "pairing" felirat jelzi, hogy a hangszóró felfedezhető.
2. A hangszórót párosításához kapcsolja be a Bluetooth funkciót a készüléke útmutatója szerint. Keresse meg a Bluetooth-eszközök listáját, majd válassza ki a listából 'MR014G' (nevű eszközt A BT.2.1 verziónál korábbi Bluetooth eszközök esetén lehet, hogy meg kell adnia a "0000" jelkódot).
3. A sikeres csatlakozást egy hang jelzi. A kijelzőn a "paired" felirat lesz látható. Egyszerűen válassza ki a kívánt zeneszámokat a forráseszközén és játssza le őket. A hangerőt szabályozhatja a forráseszközön és közvetlenül a hangszórón is.
4. A lejátszás elindításához, megállításához, illetve a zeneszámok közti váltáshoz használja Bluetooth készüléke vagy a hangszóró kezelőszerveit.

## Megjegyzés:

- Ha két Bluetooth készülék az első párosítás során egyszerre keresi az hangszóró-at, az mindkét készüléken látható lesz. Azonban miután az egyik készülék csatlakozott, a másik készülék nem látja a hangszórót a listán ezután.
- Ha Bluetooth készüléke és a hangszóró közti csatlakozás átmenetileg megszűnik, a csatlakozást ismét meg kell ismételni.
- Ha az 'MR014G' látható a Bluetooth-készülék listáján, azonban a kapcsolat nem jön létre, először törölje az elemet a listáról, majd ismételje meg a csatlakozást újra az előzőekben leírt lépések alapján.
- Az optimális Bluetooth sugárzási hatótávolság nagyjából 30 méter (100 láb) (látótávolság) a hangszóróig, de akár 100 méter (328 láb) távolság is lehetséges.
- Ha a Bluetooth kapcsolódás a leválasztási idő hosszúsága, a hatótávolság túllépése, akadályok vagy hasonló miatt megszakad, a csatlakozást lehet, hogy meg kell ismételni.
- A kapcsolat minőségét fizikai akadályok, más vezeték nélküli vagy elektromágneses eszközök is befolyásolhatják.
- A Bluetooth csatlakozásának a teljesítménye a párosított készülékektől is függ. Ellenőrizze az eszköze Bluetooth képességét, mielőtt a hangfallal

párosítaná. Egyes Bluetooth eszközök nem támogatják az összes funkciót.

## Hangfájlok lejátszása Bluetooth módban

Miután az eszköze és a hangszóró csatlakoztatása sikeres volt, megkezdheti a lejátszást a csatlakoztatott eszköz kezelőszerveinek segítségével.

1. Ha a lejátszás már megindult, a hangerőt módosíthatja mind a csatlakoztatott Bluetooth eszközön, mind pedig a hangszórón.
2. A zeneszámok lejátszásához, leállításához és az azok közti léptetéshez használja a Bluetooth eszköze kezelőszerveit. A lejátszás irányításához emellett használhatja a hangszóró lejátszás/szünet, kövekező és előző zeneszám gombjait is.
3. A gyors előre- és visszatekerés gombjával keresést is végezhet az épp lejátszott zeneszámon belül. Ha elérte a kívánt helyet, engedje fel a gombot.

### Megjegyzés:

- Nem minden alkalmazás illetve készülék reagál ezekre a kezelőszervekre.
- Hívások indítása vagy fogadása során egyes mobiltelefonok párosítása megszünik. Egyes eszközök Bluetooth hangátvitelre szöveges üzenetek, e-mailek fogadásakor vagy egyéb, a hangátvitelhez nem köthető okokból átmenetileg megszünhet. Az ilyesfajta működés a kapcsolódó készülék miatt lép fel, nem a hangszóró hibája.
- Bluetooth módban a kijelzőn láthatóak lesznek a zeneszám adatai, például a cím, az előadó, az album és egyebek.

## Lejátszás korábban párosított Bluetooth forráseszközről

A hangszóró akár 8 párosított Bluetooth-eszközt meg tud jegyezni, ha a memória megtelik, a hangszóró memóriájában felülíródásra kerül a legkorábbi eszköz, amellyel a hangszórót párosították. Ha a Bluetooth forráseszköz korábban már párosították a hangszóróval, a hangszóró továbbra is emlékezni fog a Bluetooth-eszköze, és 1 percen belül megpróbál újra kapcsolódni az utoljára csatlakoztatott eszközzel. Ha az utoljára csatlakoztatott eszköz nem elérhető, a hangszóró felfedezhető lesz.

## Bluetooth-eszközök leválasztása

A készülék párosításának megszüntetéséhez tartsa lenyomva a Bluetooth párosítás gombját 2-3 másodpercig, amíg a kijelzőn a "Pairing" meg nem jelenik, illetve kikapcsolhatja a Bluetooth funkciót is a Bluetooth eszközön.

## A Bluetooth párosítási memóriájának törlése

Az összes párosított eszköz memóriájának törléséhez tartsa lenyomva a Bluetooth párosítás gombot több mint 7 másodpercig, amíg a kijelzőn megjelenik a „Reset” (Visszaállítás) felirat.

## TRUE WIRELESS STEREO (TWS) FUNKCIÓ

A True wireless, azaz valós vezeték nélküli sztereó (TWS) funkció segítségével lehetőség van vezeték nélkül két készülék összekapcsolására. A TWS funkciónak köszönhetően akár egy másik MR014G készülékhez is csatlakoztat, hogy a zenét két hangfalon keresztül játsza le.

## Az első hangszóró beállítása

1. Győződjön meg róla, hogy az első hangszóró Bluetooth üzemmódban van, és csatlakozzon egy Bluetooth-eszközhöz.
2. Nyomja meg a plusz gombot, és a **[ST] : [MULTI]** . **[ST]** villogni kezd a kijelzőn Nyomja meg a plusz gombot az „ST Pair” módba való belépéshez. Ha 10 másodpercig nem nyom meg egy gombot sem, a hangszóró is „ST Pair” módba lép. A kijelzőn a „ST Pair” felirat lesz látható.

## A második hangszóró beállítása

1. Győződjön meg róla, hogy a második hangszóró Bluetooth üzemmódban van, és hogy még nem csatlakozott egy Bluetooth-eszközhöz.
2. Nyomja meg a plusz gombot, és a **[ST] : [MULTI]** . **[ST]** villogni kezd a kijelzőn Nyomja meg a plusz gombot az „ST Pair” módba való belépéshez. Ha 10 másodpercig nem nyom meg egy gombot sem, a hangszóró is „ST Pair” módba lép. Ha a hangszórók sikeresen csatlakoznak, a **[L] - [ST] - [R]** , lesz látható mindkét kijelzőn.

**Note:** A második hangszórót az első hangszóró utáni 1 percen belül állítsa be, különben az első hangszóró beállítása törlődik.

## Lejátszás indítása

1. Indítsa el a lejátszást a csatlakoztatott Bluetooth-eszközön, és állítsa be a hangerőt a Bluetooth-eszközön vagy az egyik hangszórón a kényelmes hallgatás érdekében.  
**Note:** Az egyik hangszóró hangerő- vagy hangszínbeállításai a másik hangszórón is tükröződnek.
2. A lejátszáshoz/szüneteltetéshez és a zeneszámok közötti mozgáshoz használja a Bluetooth-eszköz

kezelőelemeit. Emellett a lejátszást a lejátszás/ szünet, következő és előző zeneszám gombokkal is vezérelheti a hangszórón.

3. Nyomja meg és tartsa lenyomva a gyorskeresés előre vagy a visszatekerés gombot az egyik hangszórón az aktuális zeneszámon belüli előre- vagy visszatekeréshez. Ha elért a kívánt helyhez, engedje fel a gombot.

## A hangmód váltása

1. Két hangszóró használata során válthat a **L · STJ · R**, **R · STJ · R** és a **L · STJ · L** módok között.
2. A hangmód váltásához nyomja meg az L/R gombot a két hangfal egyikén.
3. **L · STJ · R** mód: Mindkét hangszóró ugyanazt a hangot játssza. Ez az alapbeállítás.
4. **R · STJ · R** és **L · STJ · L** mód: Az egyik hangszóró a jobb hangszóvat, a másik pedig a bal hangszóvat játssza a kéthangszórós sztereó lejátszáshoz.

## A TWS funkció kikapcsolása

A TWS funkció kikapcsolásához tartsa lenyomva a plusz gombot.

# VEZETÉK NÉLKÜLI LEJÁTSZÁS TÖBB HANGSZÓRÓN

Zenéit egyszerre akár 10, a funkcióval kompatibilis készülékkel is hallgathatja.

## Az első hangszóró beállítása

1. Győződjön meg róla, hogy az első hangszóró Bluetooth üzemmódban van, és csatlakozzon egy Bluetooth-eszközhöz.
2. Nyomja meg a plusz gombot, a kijelzőn a jelenik meg **STJ · MULTI**.
3. Válassza ki a **MULTI** pontot az L/R gomb megnyomásával. A kijelzőn a **MULTI** felirat kezd villogni. Nyomja meg a plusz gombot „MULTI Pair” módba való belépéshez. Ha 10 másodpercig nem nyom meg egy gombot sem, a hangszóró is „MULTI Pair” módba lép. A kijelzőn a „MULTI Pair” felirat lesz látható.

## A második hangszóró beállítása

1. Ellenőrizze, hogy a második hangszóró „Pairing” (Párosítás) módban van-e.
2. Nyomja meg a plusz gombot, a kijelzőn a **STJ · MULTI** jelenik meg.
3. Válassza ki a **MULTI** pontot az L/R gomb megnyomásával. A kijelzőn a **MULTI** felirat kezd villogni. Nyomja meg a plusz gombot az „MULTI

Pair” módba való belépéshez. Ha 10 másodpercig nem nyom meg egy gombot sem, a hangszóró is „MULTI Pair” módba lép. Ha a hangszórók sikeresen csatlakoztak, az első hangszóró kijelzőjén a „PARENT” (Fő hangszóró), a második hangszóró kijelzőjén pedig a „CHILD” (másodlagos hangszóró) felirat jelenik meg.

**Megjegyzés:** Állítsa be a második hangszórót az első hangszóró utáni 1 percen belül. Új másodlagos hangszóró hozzáadásakor az 1 perc újraszámításra kerül.

## Új másodlagos hangszórók hozzáadása

Ha harmadik vagy további hangszórókat kíván hozzáadni, kövesse az alábbi lépéseket:

1. Ellenőrizze, hogy a új hangszóró „Pairing” (Párosítás) módban van-e.
2. Nyomja meg a fő hangszóró plusz gombját, a kijelzőn a „MULTI ADD” felirat lesz látható.
3. Nyomja meg a plusz gombot a új hangszórón, a kijelzőn a **STJ · MULTI** jelenik meg.
4. Válassza ki a **MULTI** pontot az L/R gomb megnyomásával. A kijelzőn a **MULTI** kezd villogni. Nyomja meg a plusz gombot az „MULTI Pair” módba való belépéshez. Ha 10 másodpercig nem nyom meg egy gombot sem, a hangszóró is „MULTI Pair” módba lép. Ha a hangszórók csatlakozása sikeresen befejeződött, a „CHILD” (a másodlagos hangszóróra utal) felirat jelenik meg az új hangszórón.

## Lejátszás indítása

1. Indítsa el a lejátszást a csatlakoztatott Bluetooth-eszközön, és állítsa be a hangerőt a Bluetooth-eszközön vagy az egyik hangszórón a kényelmes hallgatás érdekében. Mindegyik hangszóróból ugyanaz a zene lesz hallható.

**Megjegyzés:** Csak a fő hangszóró hangerő- vagy hangszíbeállításai lesznek szinkronizálva a többi hangszóróval. A többi hangszórón a hangerőt és a hangszínt egyénileg kell beállítani.

2. A lejátszáshoz/szüneteltetéshez és a zeneszámok közötti mozgáshoz használja a Bluetooth-eszköz kezelőelemeit. Emellett a lejátszást a lejátszás/ szünet, következő és előző zeneszám gombokkal is vezérelheti a fő hangszórón.
3. Nyomja meg és tartsa lenyomva a gyorskeresés előre vagy a visszatekerés gombot a fő hangszórón az aktuális zeneszámon belüli előre- vagy visszatekeréshez. Ha elért a kívánt helyhez, engedje fel a gombot.

## Több hangszóró leválasztása

- Csak egy másodlagos hangszóró leválasztásához, tartsa lenyomva a plusz gombot a másodlagos hangszórón, amelyet le szeretne választani.
- Az összes csatlakozás megszüntetéséhez és a több hangszóró csoportjából való kilépéshez nyomja meg és tartsa lenyomva a fő hangszóró plusz gombját.

## A VILÁGÍTÁSI FUNKCIÓ BEKAPCSOLÁSA

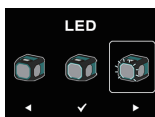
1. Nyomja meg a bekapcsológombot a hangszóró bekapcsolásához.
2. Nyomja meg a Menu gombot, majd az előző zeneszám gombot a beállítások megnyitásához.
3. A kívánt világítási funkció kiválasztásához nyomja meg a következő/előző zeneszám gombot. A kiválasztás megerősítéséhez nyomja meg a lejátszás/szünet gombot.



Ennek az opciónak a kiválasztása azt jelzi, hogy a LED lámpa ki van kapcsolva.



Ennek az opciónak a kiválasztása azt jelzi, hogy a LED lámpa folyamatosan világít (alapértelmezett)



Ennek az opciónak a kiválasztása azt jelzi, hogy a LED lámpa a zene ritmusára fog villogni. Ez hatékonyabb olyan zenével, amelynek erős ritmusa van.

**Megjegyzés:** Ez a funkció erős ritmusú zenékhez alkalmas. Ellenkező esetben a LED lámpa nem fog villogni.

## HANGSZÍNSZABÁLYOZÓ FUNKCIÓ

1. Nyomja meg a bekapcsológombot a hangszóró bekapcsolásához.
2. Nyomja meg a Menu gombot, majd nyomja meg a lejátszás/szünet gombot a hangszínkiválasztási menü megnyitásához.
3. A következő/előző zeneszám gomb segítségével válassza ki a kívánt hangszínmódot, vagy állítson be egyéni hangszínt. A kiválasztás megerősítéshez nyomja meg a lejátszás/szünet gombot. Választható hangszínmódok: "FLAT", "JAZZ", "ROCK", "CLASSIC", "POP", "NEWS", és "MY EQ".

4. Ha a 3. Lépésnél a „MY EQ” lehetőséget választotta, a következő/előző zeneszám, valamint a lejátszás/szünet gomb segítségével beállíthatja a magas, közép és a mély hangokat.

**Megjegyzés:** Ha megnöveli a hangerőt, miközben a mély hangot a hangszínszabályzóval kiemeli, recsegés vagy torzítás léphet fel. Ebben az esetben állítson a hangerőn.

## MIKROFON BEMENET

A hangszóró jobb oldalán egy 6,3mm-es mikrofon bemenet található mikrofon (nincs mellékelve) csatlakoztatásához.

1. Csatlakoztassa a mikrofont a mikrofon (MIC) bemenetbe.
2. Nyomja meg a bekapcsológombot a hangszóró bekapcsolásához.
3. Kapcsolja be a mikrofont.
4. A kívánt szint beállításához nyomja meg a hangerő fel/le gombot a hangszórón.

**Megjegyzés:**

Ne helyezze a mikrofont a hangszóróhoz, mert az visszhangot okozhat, és károsíthatja a hangszórót.

## A mikrofon hangerejének beállítása

1. Nyomja meg a bekapcsológombot a hangszóró bekapcsolásához.
2. Nyomja meg a Menu gombot, majd a Következő zeneszám gombot a beállítások megnyitásához.
3. A mikrofon kívánt hangerejének kiválasztásához nyomja meg a következő/előző zeneszám gombot. A kiválasztás megerősítéséhez nyomja meg a lejátszás/szünet gombot.

## ZENE JÁTSZÁSA AZ AUX BEMENETEN KERESZTÜL

A készülék jobb oldalán található egy 3,5 mm-es Aux bemenet a fejhallgatóval vagy hangkimenettel rendelkező eszközök, például MP3- vagy CD-lejátszó audió jeléhez.

1. Csatlakoztasson egy sztereó vagy monó audioforrást (például MP3- vagy CD-lejátszót) az „AUX IN” jelzésű aljzaton keresztül a készülékhez, a hangszóró ekkor Bluetooth módból AUX módra vált.
2. A megfelelő jel biztosítása érdekében állítson a hangerőn az MP3- vagy CD-lejátszóján, majd a kellemes zenehallgatás érdekében állítson a hangerőn a hangszórón is.

**Megjegyzés:**

AUX IN módban ajánlott a külső audioeszköz hangerejét kétharmadra vagy annál magasabbra állítani. Ezután az optimális hangminőség eléréséhez szükség szerint

állítsa be a hangszóró hangerejét. Ha az audioeszköz hangereje kétharmadnál alacsonyabbra van állítva, előfordulhat, hogy a LED lámpa nem villog. Az AUX bemenet használata esetén a kijelzőn nem láthatóak a cím, az előadó, az album stb. információi.

## KARBANTARTÁS

### ⚠ FIGYELEM:

- Soha ne használjon benzint, oldószert, alkoholt vagy ehhez hasonlót. Ezek elszíneződést, deformálódást vagy repedéseket okozhatnak.
- A hangszórót ne mossa le vízzel.

## MŰSZAKI ADATOK

Erősítő	
Kimeneti teljesítmény	14.4V: 15W 18V: 20W 36V: 20W
Frekvenciaválasz	50Hz~20kHz
Aux In	
Bemeneti érzékenység	300mVrms @100Hz
Hangszóró	
Fő hangfal	140.8mm x 1 6ohm 25W
Magashang	40mm x 1 6ohm 10W
Passzív transzformátorhűtő	100.7mm x 2

Bluetooth®	
(A Bluetooth® szóvédjegy és emblémák a Bluetooth SIG, Inc. tulajdonában lévő bejegyzett védjegyek.)	
Bluetooth verziószám	5.1 Tanúsítva
Bluetooth profil	A2DP/SCMS-T/AVRCP
Átviteli áram	1. Áramosztály
Átviteli tartomány	Optimális: Max.30 méter Lehetséges: Max. 100 méter (függ a használati feltételektől)
Támogatott kodek	SBC, AAC, aptX™, aptX™ HD
Kompatibilis Bluetooth profil	A2DP/AVRCP
Maximális rádiófrekvenciás teljesítmény	BT EDR: 4.56dBm BT LE: 4.65dBm
Működési frekvencia	2402MHz~2480MHz

USB töltőaljzat	
Az USB töltőaljzat maximális töltési feszültsége	5V, 2.4A

Általános	
AC hálózati adapter	DC bemenet 18V 2A, középső tű pozitív
Elem	Becsúsztható akku: 14.4V 18V 36V
Bemeneti csatlakozó	3,5mm átm. (AUX IN) 6,3mm átm. (MICROPHONE)
Méretetek (Sz x Ma x Mé)	236mm x 205mm x 243mm
Súly	3.8KG (akku nélkül)

Információk az áramfogyasztással kapcsolatban	
Kikapcsolt mód	A készüléknek nincs készenléti módja, kikapcsolt módban az áramfogyasztás 0,3W alatt van.
Bluetooth mód	Bluetooth módban, amikor nincs jelkimenet, az üresjáratú energiafogyasztás ebben a módban 15 perc után 2W alatt van.
AUX mód	AUX módban, amikor nincs jelkimenet, az üresjáratú energiafogyasztás ebben a módban 15 perc után 0,8W alatt van.

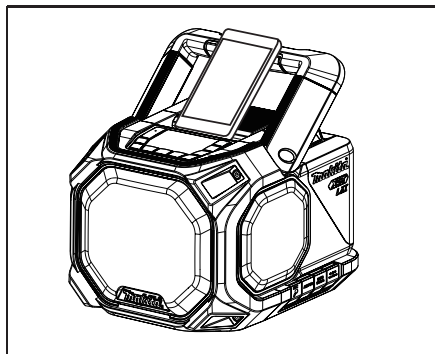
Cégünk fenntartja a jogát a műszaki adatok előzetes bejelentés nélkül történő megváltoztatásához.

# SLOVENČINA

## (Pôvodné pokyny)

## VYSVETLENIE HLAVNÉHO NÁHĽADU (obr. 1)

1. Skrinka s priehradkou pre batériu
2. Rukoväť
3. Kryt priehradky na batériu (zakrýva kazetovú batériu)
4. Pasívny reproduktor
5. Zásuvka DC
6. Zásuvka nabíjania USB
7. Prídavná vstupná zásuvka
8. Zásuvka pre mikrofón
9. LED svetlo
10. Reproduktor
11. Priehradka na uloženie mobilného telefónu



12. LCD displej
13. Tlačidlo zvýšenia hlasitosti
14. Tlačidlo zníženia hlasitosti
15. Tlačidlo Plus (Tlačidlo Plus pre spárovanie)
16. Tlačidlo L/R
17. Tlačidlo Ďalšia stopa/Rýchly posun dopredu
18. Tlačidlo Prehrať/Pozastaviť
19. Tlačidlo Predchádzajúca stopa/Posun dozadu
20. Tlačidlo ponuky
21. Tlačidlo spárovania Bluetooth
22. Tlačidlo napájania
23. Terminál batérie LXT
24. Terminál batérie XGT

## SYMBOLY

Nasledujúci text zobrazuje symboly použité na zariadení. Uistite sa, že im pred použitím rozumiete.



Prečítajte si návod na použitie.



Len pre krajiny EÚ.

V dôsledku prítomnosti nebezpečných komponentov v zariadení môže mať odpad z elektrických a elektronických zariadení, akumulátorov a batérií negatívny vplyv na životné prostredie a ľudské zdravie.

Nevyhadzujte elektrické a elektronické zariadenia ani batérie do domového odpadu!

V súlade s Európskou smernicou o odpade z elektrických a elektronických zariadení a o akumulátoroch a batériách a odpadových akumulátoroch a batériách, ako aj ich prispôbenie vnútroštátnym právnym predpisom, by sa mali odpadové elektrozariadenia, batérie a akumulátory skladovať oddelene a odovzdať na miesto separovaného zberu na komunálny odpad, prevádzkujúci v súlade s predpismi o ochrane životného prostredia.

Označuje to symbol prečiarknutého odpadkového koša na kolieskach umiestnený na zariadení.



## Qualcomm® aptX™ HD

Qualcomm aptX je produktom spoločnosti Qualcomm Technologies, Inc. a/alebo jej dcérskych spoločností. Qualcomm je ochranná známka spoločnosti Qualcomm Incorporated, registrovaná v USA a ďalších krajinách. aptX je ochranná známka spoločnosti Qualcomm Technologies International, Ltd., registrovaná v USA a iných krajinách.

## DÔLEŽITÉ BEZPEČNOSTNÉ UPOZORNENIA

### **⚠ UPOZORNENIE:**

Prí použití elektrických prístrojov je vždy dôležité dodržiavať bezpečnostné opatrenia-aby sa predišlo riziku vzniku ohňa, elektrického šoku a osobným zraneniam-vrátane nasledujúcich:

1. Pred použitím si pozorne prečítajte tento návod na použitie a tiež návod na použitie pre nabíjačku.
2. Čistite len suchou handrou.
3. Neumiestňujte v blízkosti zdrojov tepla ako sú radiátory, tepelné registre, pece, a ďalších prístrojov (vrátane zosilňovačov), ktoré produkujú teplo.
4. Používajte len prípojky/príslušenstvo špecifikované výrobcom.
5. Vytiahnite zo zdroja počas búrok alebo ak zariadenie nevyužívate dlhšiu dobu.



6. Reproduktor fungujúci na batérie, či už integrované alebo vymeniteľné, musí byť nabíjaný iba nabíjačkou na to určenou. Nabíjačka určená pre jeden typ akumulátora môže spôsobiť riziko vzniku ohňa pri použití s iným typom akumulátora.
7. Reproduktor fungujúci na batérie používajte len s batériami na to určenými. Použitie iných typov batérií môže spôsobiť vznik ohňa.
8. Ak akumulátor nepoužívate, držte ho mimo dosahu kovových predmetov ako sú: kancelárske sponky, mince, kľúče, klince, skrutky alebo ďalšie drobné kovové predmety, ktoré môžu nadviazať prepojenie z jedného pólu na druhý. Skratovaním kontaktov akumulátora môže dôjsť k iskreniu, popáleninám alebo požiaru.

Vyhňte sa kontaktu tela s uzemnenými povrchmi, ako sú potrubia, radiátory, sporáky a chladničky. Existuje zvýšené riziko úrazu elektrickým prúdom, ak vaše telo je uzemnené.

9. V nevhodných podmienkach môže kvapalina z akumulátora unikať; vyhňte sa kontaktu. Ak náhodou dôjde ku kontaktu, opláchnite vodou. Pri zasiahnutí očí, vyhľadajte lekársku pomoc. Unikajúca kvapalina z batérie môže spôsobiť podráždenie pokožky alebo popáleniny.
10. Nepoužívajte batériové články alebo nástroje, ktoré sú poškodené alebo upravené. Poškodené alebo upravené batérie môžu mať nepredvídateľné správanie, ktoré môže viesť k požiaru, explózii alebo riziku poranenia.
11. Nevystavujte batériu alebo nástroj ohňu alebo nadmernej teplote. Vystavenie ohňu alebo teploty nad 130°C (266°F) môže viesť k výbuchu.
12. Riadte sa všetkými inštrukciami pre nabíjanie a nenabíjajte batériu alebo nástroj mimo rozsah teplôt špecifikovaných v návode. Nesprávne nabíjanie, alebo pri teplotách mimo špecifikovaný rozsah, môže viesť k poškodeniu batérie a zvýšiť riziko ohňa.
13. Sieťová zástrčka sa používa ako odpájacie zariadenie a musí byť ľahko prístupná.
14. Nepoužívajte produkt dlhší čas pri vysokej hlasitosti. Aby ste predišli poškodeniu sluchu, používajte produkt na strednej úrovni hlasitosti.
15. (Len pre výrobky s LCD displejom) LCD displeje obsahujú tekutinu, ktorá môže spôsobiť podráždenie i otravu. Ak kvapalina prenikne do očí, úst alebo pokožky, vypláchnite ju vodou a zavolajte lekára.
16. Nevystavujte výrobok dažďu ani mokrému prostrediu. Vniknutie vody do výrobku zvyšuje riziko úrazu elektrickým prúdom.
17. Tento výrobok nie je určený na použitie osobami (vrátane detí) so zníženými fyzickými, zmyslovými alebo duševnými schopnosťami alebo nedostatkom

skúseností a vedomostí, pokiaľ nie sú pod dohľadom alebo poučení o používaní výrobku osobou zodpovednou za ich bezpečnosť. Deti by mali byť pod dozorom, aby sa zamedzila ich hra s týmto výrobkom. Výrobok uchovávajte mimo dosahu detí.

18. Nevystavujte reproduktor teplu alebo ohňu a nenechávajte ho v blízkosti tepelného zdroja, na priamom slnku alebo vo vnútri vozidla pod páliacim slnkom. Môže tak vypuknúť požiar alebo prísť k explózii a spôsobiť tak zranenie osôb.
19. Zariadenie umiestnite na vodorovný, rovný povrch alebo zariadenie zaisťte na stabilnom mieste. V opačnom prípade môže dôjsť k nehode pádom.

## UCHOVAJTETIETO POKYNY

### ŠPECIFICKÉ BEZPEČNOSTNÉ PRAVIDLÁ PRE ZÁSObNÍK BATÉRIE

1. Pred použitím zásobníka batérie si prečítajte všetky pokyny a varovné symboly na (1) nabíjačke, (2) batérii a (3) výrobku využívajúceho batériu.
2. Nikdy zásobník batérie nerozoberajte.
3. Ak sa prevádzková doba príliš skrátila, prerušte okamžite prevádzku. Môže to mať za následok riziko vzniku prehrievania, popálenia alebo dokonca výbuchu.
4. Ak sa elektrolyt dostane do očí, vypláchnite ich čistou vodou a ihneď vyhľadajte lekársku pomoc. Môže to viesť k strate zraku.
5. Neskratujte zásobník batérie:
  - (1) Nedotýkajte sa pólov žiadnym vodivým materiálom.
  - (2) Zásobník batérie neskladujte v nádobe s inými kovovými predmetmi, ako sú klince, mince, a pod.
  - (3) Nevystavujte zásobník batérie vode a dažďu. Skrat batérie môže spôsobiť veľký prietok prúdu, prehrievanie, možné popáleniny a poruchu.
6. Neskladujte a nepoužívajte náradie a akumulátor na miestach, kde môže teplota dosiahnuť alebo prekročiť 50°C (122°F).
7. Nespalujte zásobník batérie, ani keď je vážne poškodený alebo celkom opotrebovaný. Zásobník batérie môže v ohni vybuchnúť.
8. Dávajte pozor, aby ste batériu neupustili ani s ňou neudierali.
9. Nepoužívajte poškodenú batériu.
10. Pre vyhnutie sa riziku pri použití si prečítajte najprv manuál na výmenu batérie.



11. Obsahované lítium-iónové batérie podliehajú požiadavkám právnych predpisov týkajúcich sa nebezpečného tovaru. Pre komerčnú prepravu, napr. tretími stranami, zasielateľmi, musí byť dodržané osobitné balenie a označenie. Pre prípravu odoslania položky musí byť konzultovaný expert na nebezpečný materiál. Dodržujte prosím aj možné podrobnejšie národné predpisy. Zalepte páskou alebo zakryte otvorené kontakty a zabaľte batériu tak, aby sa nemohla v balení pohybovať.
12. Pri likvidácii batérií ich vyberte zo zariadenia a odneste na bezpečné miesto. Riadte sa miestnymi reguláciami o likvidácii batérií.
13. Používajte batérie iba s výrobkami špecifikovanými spoločnosťou Makita. Inštalácia batérií do nevyhovujúcich výrobkov môže viesť k vzniku požiaru, nadmernému teplu, výbuchu alebo úniku elektrolytu.
14. Ak zariadenie nie je dlhšiu dobu používané, batérie musia byť vybrané zo zariadenia.
15. Zabráňte vniknutiu triesok, prachu alebo nečistôt do kontaktov, otvorov a drážok batérie. Môže to mať za následok slabý výkon alebo poruchu náradia alebo akumulátora.
16. Batériu uchovávajte mimo dosahu detí.
17. Počas a po použití sa môže akumulátor zahrievať, čo môže spôsobiť popálenie alebo popáleniny.
18. Ihneď po použití sa nedotýkajte koncovky náradia, pretože sa môže dostatočne zahriať a spôsobiť popáleniny.
19. Ak náradie nepodporuje použitie v blízkosti vedenia vysokého napätia, nepoužívajte batériu v blízkosti elektrického vedenia vysokého napätia. Môže to spôsobiť poruchu alebo poškodiť batériu zariadenia.
20. Chráňte batériu pred nasledujúcimi podmienkami:
  - výmena batérie za nesprávny typ, ktorý môže narušiť ochranu (napríklad v prípade niektorých typov lítiových batérií);
  - vhoďením batérie do ohňa alebo horúcej pece, alebo mechanické rozdrvenie alebo rozrezanie batérie, čo môže viesť k výbuchu;
  - ponechanie batérie v prostredí s extrémne vysokou teplotou, ktoré môže spôsobiť výbuch alebo únik horľavej kvapaliny alebo plynu; a
  - batéria vystavená extrémne nízkemu tlaku vzduchu, ktorý môže spôsobiť výbuch alebo únik horľavej kvapaliny alebo plynu.

**⚠ POZOR:**

- **Nebezpečenstvo explózie ak je batéria vymenená nesprávne.**
- **Používajte len originálne batérie Makita. Použitie neoriginálnych batérií alebo batérií, ktoré boli**

**upravené, môže mať za následok výbuch batérie spôsobujúci požiar, zranenie a poškodenie. Tiež to povedie k zrušeniu záruky na výrobok a nabíjačku Makita.**

### **Tipy pre zachovanie maximálnej životnosti batérie**

1. Nabite zásobník batérie pred úplným vybitím. Vždy najprv zastavte prístroj a dobite zásobník batérie, keď si všimnete jeho znížený výkonu.
2. Nikdy nenabíjajte úplne nabitý zásobník batérie. Prebíjanie skracuje životnosť batérie.
3. Nabíjajte zásobník batérie pri izbovej teplote 10°C 40°C (50°F 104°F). Nechajte horúci zásobník batérie vychladnúť pred nabíjaním.
4. Ak akumulátor nepoužívate, vyberte ho z náradia alebo nabíjačky.
5. Nabite zásobník batérie, ak ho neplánujete používať dlhšiu dobu (viac ako šesť mesiacov).

# DOBA PREVÁDZKY

\* Vhodné batérie pre tento reproduktor sú uvedené v nasledujúcej tabuľke.

\* Nasledujúca tabuľka ukazuje dobu prevádzky na jedno nabitie.

Kazetová batéria		Kapacita batérie	PRI VÝSTUPE REPRODUKTOROV = 100 mW Jednotka: hodina (približne)			
			Bluetooth		AUX VSTUP	
			LED svieti	LED nesvieti	LED svieti	LED nesvieti
LXT (14.4V)	BL1415N	1.5 Ah	7.0	10	7.5	10
	BL1430B	3.0 Ah	12	16	12	17
	BL1440	4.0 Ah	19	25	20	27
	BL1460B	6.0 Ah	25	34	26	36
LXT (18V)	BL1815N	1.5 Ah	8.0	10	8.5	11
	BL1820B	2.0 Ah	11	14	11	15
	BL1830B	3.0 Ah	15	19	16	20
	BL1840B	4.0 Ah	22	28	22	29
	BL1850B	5.0 Ah	28	36	29	37
	BL1860B	6.0 Ah	34	43	35	45
XGT (36V - 40V max)	BL4020	2.0 Ah	19	23	19	24
	BL4025	2.5 Ah	24	30	25	31
	BL4040(F)	4.0 Ah	39	47	40	49

## **⚠ UPOZORNENIE:**

**Používajte len kazety s batériami uvedené vyššie. Používanie akýchkoľvek iných kaziet s batériami môže spôsobiť zranenie a/alebo požiar.**

### **Poznámka:**

- Tabuľka týkajúca sa vyššie uvedenej doby prevádzky akumulátora je referenčná.
- Skutočná doba prevádzky sa môže líšiť v závislosti od typu batérie, stavu nabíjania alebo prostredia používania.
- Niektoré z vyššie uvedených kazetových batérií a nabíjačiek nemusia byť dostupné v závislosti od oblasti vášho bydliska.

# INŠTALÁCIA A NAPÁJANIE

## ⚠ VAROVANIE:

- Pri otváraní a zatváraní krytu priehradky na akumulátor si dávajte pozor na zranenie prstov.
- Po vložení alebo odobratí akumulátora z priehradky ju znovu zablokujte. V opačnom prípade môže akumulátor vypadnúť z reproduktora a poraniť Vás alebo druhých.
- Pred prenesením reproduktora vždy uzavrite a zablokujte priehradku na akumulátor.
- Pred inštaláciou alebo vybratím akumulátora vždy reproduktor vypnite.
- Dbajte na to, aby Vám reproduktor nepadol alebo ste doňho nevrátili. Rozbitý povrch Vás môže zraniť. Poškodený reproduktor môže fungovať nepredvídateľne a spôsobiť požiar, výbuch alebo nebezpečenstvo poranenia.
- Pri vkladaní a vyberaní batérie pevne uchopíte reproduktor a kazetu s batériami. Ak tak neurobíte, môžu vám vypadnúť z ruky a vzniknúť poškodenie reproduktora a kazety s batériami ako aj poranenie osôb.

## DÔLEŽITÉ:

- Znížený výkon, skreslenie, „kockavý zvuk“ alebo ikona slabšej batérie, ktorá sa zobrazuje na displeji, to všetko sú znaky toho, že je potrebné vymeniť hlavnú batériu.
- Akumulátor nemôže byť nabitý pomocou dodaného sieťového adaptéra.
- Akumulátor nie je súčasťou štandardného balenia.

## Inštalácia alebo odstraňovanieSlide batery zásobníka (Obr. 2-4)

- Pri inštalácii zásobníka batérie na ňom najprv zarovnajete jazýček s drážkou v puzdre a zasuňte ho na miesto. Vždy ho vložte na doraz, kým nie je zaistený na svojom mieste a nezaznie malé cvaknutie.
- Ak vidíte červený indikátor na hornej strane tlačidla, nie je správne zapadnutý. Nainštalujte ho teda úplne tak, aby tento červený indikátor nebolo vidieť. V opačnom prípade môže náhodne vypadnúť z reproduktora a ublížiť vám alebo osobám v okolí.
- Pri vkladaní zásobníka batérie nepoužívajte príliš veľkú silu. V prípade, že zásobník nejde zasunúť ľahko, nie je vkladávaný správne.
- Aby ste vybrali kazetu s batériami, držte tlačidlo na prednej strane kazety a vysuňte ju z reproduktora..

## Indikácia zostávajúcej kapacity batérie (Obr. 5-6)












Len pre kazetové batérie s indikátorom

➤ 1. Kontrolky

2. Tlačidlo kontroly

Stlačte tlačidlo kontroly na zásobníku batérie pre zobrazenie zostávajúcej kapacity batérie. Kontrolky sa na niekoľko sekúnd rozsvietia.

### • Batéria XGT/LXT

Kontrolky			Zostávajúca kapacita
 Rozsvietené	 Vypnuté	 Blinkajúce	
			75% ~ 100%
			50% ~ 75%
			25% ~ 50%
			0% ~ 25%
			Nabíte batériu
			Batéria pravdepodobne zlyhala

### POZNÁMKA:

- V závislosti od podmienok použitia a okolitej teploty sa môže zobrazenie mierne líšiť od skutočnej kapacity.
- Prvá (úplne ľavá) kontrolka bude blikať, keď systém ochrany batérie funguje.
- Keď je batéria takmer vybitá, vymeňte ju.

## Použitie dodaného sieťového adaptéra

Odstráňte gumovú ochranu a zasuňte konektor adaptéra do napájacieho konektora na pravej strane reproduktora. Zapojte adaptér do štandardnej sieťovej zásuvky. Kedykoľvek je použitý adaptér, je batéria automaticky odpojená.

### ⚠ VAROVANIE:

- **Pred prenesením reproduktora vždy vypojte sieťový adaptér. V opačnom prípade môže prísť k elektrickému šoku.**
- **Nikdy neťahajte za kábel sieťového adaptéra. Reprodukter by mohli padnúť a spôsobiť zranenie Vám alebo druhým.**

### DÔLEŽITÉ:

- Pre vypojenie reproduktora vypojte adaptér zo zásuvky.
- Používajte napájací adaptér dodávaný spolu s výrobkom alebo špecifikovaný spoločnosťou Makita.
- Nedržte kábel napájania a zásuvku ústami. Mohlo by to spôsobiť zásah elektrickým prúdom.
- Nedotýkajte sa elektrickej zástrčky mokrymi alebo masťnými rukami.

- Poškodené alebo zamotané káble zvyšujú nebezpečenstvo zásahu elektrickým prúdom. Ak je kábel poškodený, nechajte ho vymeniť našim autorizovaným servisným strediskom, aby sa predišlo bezpečnostnému riziku. Nepoužívajte ho pred opravou.
- Po použití vždy uložte sieťový adaptér mimo dosahu detí. Ak sa deti hrajú s káblom, môžu utrpieť zranenie.

## Zásuvka napájania USB

Tento konektor možno použiť na nabíjanie mobilného telefónu alebo iného zariadenia, ktoré používa menej ako 2.4A jednosmerného prúdu. Nabíjanie sa začne iba vtedy, keď je reproduktor zapnutý.

**Poznámka:** Uistite sa, že vaše externé zariadenia ako mobilný telefón alebo prehrávač sú kompatibilné s reproduktorom. Pred nabitím si prečítajte návod k obsluhu externého zariadenia.

### DÔLEŽITÉ:

- Pred pripojením USB zariadenia k nabíjačke, vždy zálohujte svoje dáta z USB zariadenia. V opačnom prípade sa môžu vaše dáta z rôznych príčin stratiť.
- Nabíjačka nemusí napájať niektoré zariadenia USB.
- Ak zariadenie nepoužívate alebo po jeho nabití, odpojte kábel USB a zatvorte kryt.
- Nepripájajte napájací zdroj k USB portu. Inak hrozí nebezpečenstvo požiaru. USB port je určený len pre nabíjanie zariadení s nižším napätím. Ak práve takéto zariadenie nenabíjate, vždy umiestnite na USB port jeho kryt.
- Nevkladajte klince, drôty, atď. do napájacieho portu USB. Inak môže skrat spôsobiť vznik dymu a požiaru.
- Nepripájajte túto USB zásuvku USB portu počítača, pretože je veľmi pravdepodobné, že to môže spôsobiť poruchu jednotiek.

## POČÚVANIE HUDBY CEZ BLUETOOTH STREAMING

Ak chcete prehrávať/streamovať hudbu Bluetooth cez reproduktor, spárujte svoje zariadenie Bluetooth s reproduktorom, aby ste povolili automatické prepojenie.

### Poznámka:

Ak chcete dosiahnuť lepšiu kvalitu zvuku, odporúčame nastaviť hlasitosť na vašom zariadení Bluetooth na viac ako dve tretiny a podľa potreby nastaviť hlasitosť reproduktora. Táto operácia je platná len vtedy, keď zariadenie Bluetooth nemá nastavenú maximálnu hlasitosť.

## Prvotné spáročovanie Bluetooth zariadenia

1. Stlačte tlačidlo napájania na reproduktore. "Pairing"

sa zobrazí na displeji ako znak, že reproduktor je možné nájsť.

2. Aktivujte Bluetooth na Vašom zariadení. Vyhľadajte "MR014G" medzi dostupnými Bluetooth zariadeniami a pripojte sa. (Niektoré typy mobilných telefónov so staršími zariadeniami Bluetooth ako je BT 2.1 vyžadujú ešte zadanie kódu "0000").
3. Po pripojení zaznie potvrdzujúci zvuk. Na displeji sa objaví "Paired". Na zdrojovom zariadení môžete vybrať a spustiť akúkoľvek hudbu. Hlasitosť môžete ovládať na zdrojovom zariadení alebo priamo na reproduktore.
4. Na prehrávanie/pozastavenie a navigáciu skladieb použite ovládacie prvky na vašom Bluetooth zariadení alebo priamo na reproduktore.

### Note:

- Ak 2 Bluetooth zariadenia, párované prvýkrát, vyhľadávajúreproduktor, jeho dostupnosť sa ukáže na oboch zariadeniach. Avšak, ak sa jedno zariadenie s touto jednotkou prepóji, potom sa na druhom zariadení Bluetooth nezobrazí v zozname.
- Ak je vaše zariadenie Bluetooth dočasne odpojené od reproduktora, potom ho musíte manuálne znova pripojiť.
- Ak sa "MR014G" zobrazuje v zozname zariadení Bluetooth, ale váš prístroj sa k nemu nemôže pripojiť, prosím odstráňte ho zo zoznamu a spárujte zariadenie s reproduktorom znova, podľa krokov popísaných vyššie.
- Optimálna vzdialenosť zariadenia od reproduktora je 30 metrov (čiara priamej viditeľnosti) ale možná je i vzdialenosť do 100 metrov.
- Ak príde k strate Bluetooth prepojenia, kvôli dlhému času bez pripojenia, prílišnej vzdialenosti zariadení, pôsobením vplyvu prekážok alebo iných vplyvov, budete musieť zariadenie znova pripojiť k reproduktoru.
- Fyzické prekážky alebo iné bezdrôtové a elektromagnetické zariadenia môžu ovplyvniť kvalitu pripojenia.
- Výkon Bluetooth pripojenia sa môže líšiť v závislosti od pripojených Bluetooth zariadení. Pozrite si prosím možnosti Bluetooth vášho prístroja pred jeho pripojením k reproduktoru. Všetky funkcie nemusia byť podporované na niektorých spárovaných Bluetooth zariadeniach.

## Prehrávanie zvukových súborov v režime Bluetooth

Ak ste úspešne prepójiť reproduktor s vybraným Bluetooth zariadením, môžete začať prehrávať hudbu pomocou ovládacích prvkov na pripojenom Bluetooth zariadení.

1. Keď prehrávanie začalo, nastavte hlasitosť na

- požadovanú úroveň pomocou tlačidiel hlasitosti na reproduktore alebo na vašom Bluetooth zariadení.
2. Používajte ovládanie vášho Bluetooth zariadenia na spustenie/zastavenie a prehrádanie hudobných stôp. Prípadne môžete prehrávanie ovládať tlačidlami Play/Pause, Next track a Previous track na vašom reproduktore.
  3. Stlačte a držte tlačidlo Fast-forward a tlačidlo Rewind pre posun v rámci zvolenej hudobnej stopy. Keď dosiahnete požadované miesto, pustíte tlačidlo.

#### Poznámka:

- Nie všetky aplikácie prehrávača alebo zariadenia môžu reagovať na všetky tieto ovládacie prvky.
- Niektoré mobilné telefóny sa môžu dočasne odpojiť od reproduktora pri volaní alebo prijímaní hovorov. Niektoré zariadenia môžu dočasne stlmiť svoje Bluetooth audio prehrávanie, keď prijímajú textové správy, e-maily alebo z iných dôvodov nesúvisiacich s audio prehrávaním. Takéto správanie je funkciou pripojeného zariadenia, a nejedná sa o poruchu reproduktora.
- Počas prehrávania v móde Bluetooth displej zobrazuje informácie o hudobnej stope ako sú názov, umelec, album atď.

### Prehrávanie predtým spárovaného zdrojového zariadenia Bluetooth

Reproduktor si dokáže zapamätať až 8 spárovaných Bluetooth zariadení, keď pamäť presiahne toto množstvo, v pamäti reproduktora sa prepíše prvé zariadenie, s ktorým bol reproduktor spárovaný. Ak sa vaše zdrojové zariadenie Bluetooth predtým spárovalo s reproduktorom, reproduktor si stále zapamätá vaše zariadenie Bluetooth a pokúsi sa znova pripojiť k naposledy pripojenému zariadeniu do 1 minúty. Ak nie je k dispozícii posledné pripojené zariadenie, reproduktor bude viditeľný.

### Odpojenie Bluetooth zariadenia

Stlačte a podržte tlačidlo spárovania Bluetooth 2-3 sekundy pokiaľ sa na displeji nezobrazí "Pairing" a následne Bluetooth zariadenie odpojte, alebo vypnite Bluetooth na svojom Bluetooth zariadení.

### Odstránenie pamäte spárovaného zariadenia s Bluetooth

Ak chcete vymazať pamäť všetkých spárovaných zariadení, stlačte a podržte tlačidlo párovania Bluetooth na viac ako 7 sekúnd, kým sa na displeji nezobrazí „Reset“.

## FUNKCIA TRUE WIRELESS STEREO (TWS)

Funkcia True wireless stereo (TWS) umožňuje zariadeniu bezdrôtové prepojenie s iným zariadením. Funkciu TWS môžete využiť na prepojenie s druhým zariadením MR014G a prehrávať hudbu cez dva reproduktory.

### Nastavenie prvého reproduktora

1. Uistite sa, že prvý reproduktor je v režime Bluetooth a pripojte sa k zariadeniu Bluetooth.
2. Stlačte tlačidlo Plus, na displeji sa zobrazí **[ST] • [MULTI]**. **[ST]** bude na displeji blikať. Stlačením tlačidla Plus vstúpite do režimu „ST Pair“. Ak počas 10 sekúnd nestlačíte žiadne tlačidlo, reproduktor tiež prejde do režimu „ST Pair“. Na displeji sa zobrazí „ST Pair“.

### Nastavenie druhého reproduktora

1. Uistite sa, že druhý reproduktor je v režime Bluetooth a že nie je pripojený k zariadeniu Bluetooth.
2. Stlačte tlačidlo Plus, na displeji sa zobrazí **[ST] • [MULTI]**. **[ST]** bude na displeji blikať. Stlačením tlačidla Plus vstúpite do režimu „ST Pair“. Ak počas 10 sekúnd nestlačíte žiadne tlačidlo, reproduktor tiež prejde do režimu „ST Pair“.

Keď sú reproduktory úspešne pripojené, **[L • [ST] • R]** sa zobrazí na oboch displejoch súčasne.

**Poznámka:** Nastavte druhý reproduktor do 1 minúty od prvého, inak sa nastavenie prvého reproduktora zruší.

### Spustenie prehrávania

1. Spustíte prehrávanie na pripojenom zariadení Bluetooth a upravte hlasitosť na zariadení Bluetooth alebo na jednom z reproduktorov pre pohodlné počúvanie.
 

**Poznámka:** Nastavenia hlasitosti alebo EQ jedného reproduktora sa prejavia na druhom.
2. Na prehrávanie/pozastavenie a navigáciu v skladbách použite ovládacie prvky na zariadení Bluetooth. Alternatívne môžete prehrávanie ovládať pomocou tlačidiel Play/Pause, Next track a Previous track na jednom z reproduktorov.
3. Stlačením a podržaním tlačidla Rýchly posun vpred alebo vzad na ktoromkoľvek z reproduktorov sa v aktuálnej skladbe rýchlo posunie dopredu alebo dozadu. Po dosiahnutí požadovaného bodu tlačidlo uvoľníte.

### Zmena audio módu

1. Pri používaní dvoch reproduktorov môžete prepínať medzi módmí **[L • [ST] • R]**, **[R • [ST] • R]** a **[L • [ST] • L]**.
2. Stlačte tlačidlo L/R na jednom z reproduktorov pre

zmenu audio módu.

3. **L - [ST] - R** **mód**: Oba reproduktory prehrávajú zvuk rovnako. Toto je pôvodné nastavenie.
4. **R - [ST] - R** a **L - [ST] - L** **mód**: Jeden reproduktor prehráva hudbu na pravom kanáli, zatiaľ čo druhý reproduktor prehráva hudbu na ľavom kanáli, čím medzi reproduktormi vzniká stereo prehrávanie.

## Odpojenie funkcie TWS

Stlačte a podržte tlačidlo Plus pre odpojenie funkcie TWS.

## UŽÍVANIE SI BEDZRÔTOVÉHO PREHRÁVANIA POMOCOU VIACERÝCH REPRODUKTOROV

Prehrávanie hudby si môžete užívať až z kombinovaných 10 zariadení kompatibilných s touto funkciou.

## Nastavenie prvého reproduktora

1. Uistite sa, že prvý reproduktor je v režime Bluetooth a pripojte sa k zariadeniu Bluetooth.
2. Stlačte tlačidlo Plus, na displeji sa zobrazí **[ST] - [MULTI]**.
3. Vyberte **[MULTI]** stlačením tlačidla L/R. **[MULTI]** bude na displeji blikať. Stlačením tlačidla Plus vstúpite do režimu „MULTI Pair“. Ak počas 10 sekúnd nestlačíte žiadne tlačidlo, reproduktor tiež prejde do režimu „MULTI Pair“. Na displeji sa zobrazí „MULTI Pair“.

## Nastavenie druhého reproduktora

1. Uistite sa, že druhý reproduktor je v režime Bluetooth „Párovanie“.
2. Stlačte tlačidlo Plus, na displeji sa zobrazí **[ST] - [MULTI]**.
3. Vyberte **[MULTI]** stlačením tlačidla L/R. **[MULTI]** bude na displeji blikať. Stlačením tlačidla Plus vstúpite do režimu „MULTI Pair“. Ak počas 10 sekúnd nestlačíte žiadne tlačidlo, reproduktor tiež prejde do režimu „MULTI Pair“. Po úspešnom pripojení reproduktorov sa na displeji prvého reproduktora zobrazí „PARENT“ (indikuje hlavný reproduktor) a na displeji druhého reproduktora sa zobrazí „CHILD“ (indikuje sekundárny reproduktor).

**Poznámka:** Druhý reproduktor nastavte do 1 minúty od prvého. Pri pridávaní nového sekundárneho reproduktora sa 1 minúta prepočíta.

## Pridanie nových sekundárnych reproduktorov

Ak chcete pripojiť tretí reproduktor alebo viac nových reproduktorov, postupujte takto:

1. Uistite sa, že je nový reproduktor v režime Bluetooth „Párovanie“.
2. Stlačte tlačidlo Plus na hlavnom reproduktore, na displeji sa zobrazí „MULTI ADD“.
3. Stlačte tlačidlo Plus na novom reproduktore, na displeji sa zobrazí **[ST] - [MULTI]**.
4. Vyberte **[MULTI]** stlačením tlačidla L/R. **[MULTI]** bude na displeji blikať. Stlačením tlačidla Plus vstúpite do režimu „MULTI Pair“. Ak počas 10 sekúnd nestlačíte žiadne tlačidlo, reproduktor tiež prejde do režimu „MULTI Pair“. Po úspešnom pripojení reproduktorov sa na novom reproduktore zobrazí „CHILD“ (označuje sekundárny reproduktor).

## Spustenie prehrávania

1. Spustite prehrávanie na pripojenom zariadení Bluetooth a upravte hlasitosť na zariadení Bluetooth alebo reproduktoroch pre pohodlné počúvanie. Zo všetkých reproduktorov sa prehráva rovnaká hudba. **Poznámka:** S ostatnými reproduktormi budú synchronizované iba nastavenia hlasitosti alebo EQ hlavného reproduktora. Pre ostatné reproduktory nastavte hlasitosť alebo EQ každého reproduktora jednotlivito.
2. Na prehrávanie/pozastavenie a navigáciu v skladbách použite ovládacie prvky na zariadení Bluetooth. Alternatívne môžete prehrávanie ovládať pomocou tlačidiel Play/Pause, Next track a Previous track na hlavnom reproduktore.
3. Stlačením a podržaním tlačidla Rýchle pretáčanie dopredu alebo Prevíjanie dozadu na hlavnom reproduktore môžete rýchlo pretáčať dopredu alebo dozadu v rámci aktuálnej skladby. Po dosiahnutí požadovaného bodu tlačidlo uvoľnite.

## Odpojenie viacerých reproduktorov

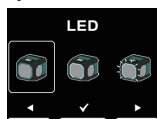
- Ak chcete odpojiť iba jeden sekundárny reproduktor, stlačte a podržte tlačidlo Plus na sekundárnom reproduktore, ktorý chcete odpojiť.
- Ak chcete odpojiť všetky pripojenia a ukončiť skupinu viacerých reproduktorov, stlačte a podržte tlačidlo Plus na hlavnom reproduktore.

## VYBERTE FUNKCIU OSVETLENIA

1. Stlačením tlačidla napájania zapnete reproduktor.
2. Stlačte tlačidlo Ponuka a potom stlačte tlačidlo

Predchádzajúca skladba, aby ste vstúpili do nastavení.

3. Stlačením tlačidla Next Track alebo Previous Track vyberte požadovanú funkciu osvetlenia. Potom stlačením tlačidla Prehrať/Pozastaviť potvrdíte svoj výber.



Výber tejto možnosti znamená, že LED svetlo je vypnuté.



Výber tejto možnosti znamená, že svetlo LED zostane nepretržite svietiť. (predvolené)



Výber tejto možnosti znamená, že LED svetlo bude blikať v rytmu hudby. Efektívnejšia je hudba, ktorá má silný rytmus.

**Poznámka:** Táto funkcia je vhodná pre hudbu so silným rytmom. V opačnom prípade nemusí kontrolka LED blikať.

## FUNKCIA EKVALIZÉRA

1. Stlačením tlačidla napájania zapnete reproduktor.
2. Stlačte tlačidlo Ponuka a potom stlačte tlačidlo Prehrať/Pozastaviť, aby ste vstúpili do ponuky výberu EQ.
3. Stlačením tlačidla Next Track alebo Previous Track vyberte požadovaný režim ekvalizéra alebo si zvolte konfiguráciu režimu ekvalizéra. Potom výber potvrdíte stlačením tlačidla Prehrať/Pozastaviť. Dostupné režimy ekvalizéra sú: „FLAT“, „JAZZ“, „ROCK“, „CLASSIC“, „POP“, „NEWS“ a „MY EQ“.
4. Ak je v kroku 3 vybratý „MY EQ“, použite tlačidlá Next track, Previous track a Play/Pause na následnú konfiguráciu úrovni výšok, stredov a basov.

**Poznámka:** Ak zvýšite hlasitosť pri zvýraznení basov pomocou ekvalizéra, môže dôjsť k praskaniu alebo skresleniu. V tomto prípade upravte hlasitosť.

## VSTUP NA MIKROFÓN

Na pravej strane reproduktora sa nachádza 6,3mm mikrofónový konektor na pripojenie mikrofónu (nie je súčasťou dodávky).

1. Pripojte mikrofón ku konektoru mikrofónu (MIC).
2. Stlačením tlačidla napájania zapnete reproduktor.
3. Zapnite mikrofón.
4. Stlačením tlačidiel na zvýšenie/zníženie hlasitosti na reproduktore nastavte požadovanú úroveň.

### Poznámka:

Neumiestňujte mikrofón oproti reproduktoru, môže to spôsobiť spätnú odozvu a poškodiť reproduktor.

## Nastavenie hlasitosti mikrofónu

1. Stlačením tlačidla napájania zapnete reproduktor.
2. Stlačte tlačidlo Menu a potom stlačením tlačidla Next Track zadajte nastavenia.
3. Stlačením tlačidla Next Track alebo Previous Track vyberte požadovanú úroveň hlasitosti mikrofónu. Potom stlačením tlačidla Prehrať/Pozastaviť potvrdíte svoj výber.

## PREHRÁVANIE HUDBY CEZ POMOCNÚ VSTUPNÚ ZÁSUVKU

Na pravej strane jednotky sa nachádza 3,5mm prídavný vstupný konektor pre audio signál z akéhokoľvek zariadenia, ktoré má výstup pre slúchadlá alebo audio, ako je MP3 alebo CD prehrávač.

1. Pripojte stereo alebo mono zdroj audia (napríklad MP3 alebo CD prehrávač) do AUX konektoru (označeného 'AUX IN') a reproduktor prejde z módu Bluetooth do módu AUX prehrávania.
2. Hlasitosť hudby nastavte najprv na vašom MP3 alebo CD prehrávači pre zaručenie adekvátneho signálu a následne nastavte hlasitosť na reproduktore pre pohodlné počúvanie.

### Poznámka:

V režime AUX IN sa odporúča nastaviť hlasitosť externého zvukového zariadenia na dve tretiny alebo vyššiu. Potom upravte hlasitosť reproduktora podľa potreby, aby ste dosiahli optimálnu kvalitu zvuku. Ak je hlasitosť audio zariadenia nastavená na menej ako dve tretiny, je možné, že LED kontrolka nebude blikať. Počas prehrávania cez AUX vstup nezobrazuje displej informácie ako názov, umelec, album, atď.

## ÚDRŽBA

### ⚠ POZOR:

- Nikdy nepoužívajte benzín, benzén, riedidlo, alkohol či podobné látky. Môžu sa vyskytnúť deformácie, odfarbenie alebo praskliny.
- Neumývajte reproduktor vodou.

# ŠPECIFIKÁCIA

Informácie o spotrebe energie	
Režim vypnutia	Toto zariadenie nemá pohotovostný režim a jeho spotreba energie v režime vypnutia je nižšia ako 0,3W.
Režim Bluetooth	V režime Bluetooth, keď nie je na výstupe žiadny signál, je spotreba energie pri nečinnosti v tomto režime po 15 minútach nižšia ako 2W.
Režim AUX	V režime AUX, keď nie je na výstupe žiadny signál, je spotreba energie pri nečinnosti v tomto režime po 15 minútach nižšia ako 0,8W.

Spoločnosť si vyhradzuje právo na zmenu špecifikácie bez predchádzajúceho upozornenia.

Zosilňovač	
Výstupný výkon	14.4V: 15W 18V: 20W 36V: 20W
Frekvenčná odozva	50Hz~20kHz
AUX VSTUP	
Vstupná citlivosť	300mVrms @100Hz
Reproduktor	
Hlavný reproduktor	140.8mm x 1 6ohm 25W
Tweeter reproduktor	40mm x 1 6ohm 10W
Pasívny radiátor	100.7mm x 2

Rozhranie Bluetooth®	
(Názov Bluetooth®, označenie a logo sú registrované ochranné známky spoločnosti Bluetooth SIG, Inc.)	
Bluetooth verzia	5.1 Certified
Profil Bluetooth	A2DP/SCMS-T/AVRCP
Vysielací výkon	Trieda výkonu 1
Rozsah prenosu	Optimálny: Max.30 metrov Možný: Max. 100 metrov (závisí od podmienok používania)
Podporovaný kodek	SBC, AAC, aptX™, aptX™ HD
Kompatibilný profil Bluetooth	A2DP/AVRCP
Maximálna sila rádiových frekvencií	BT EDR: 4.56dBm BT LE: 4.65dBm
Operačná frekvencia	2402MHz~2480MHz

Port na nabíjanie USB	
Maximálne nabíjacie parametre USB portu	5V, 2.4A

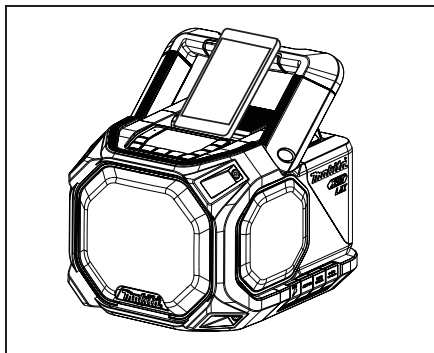
Všeobecné	
Sieťový adaptér	DC vstup 18V 2A kladný stredový pin
Batéria	Vysúvací batéria: 14.4V 18V 36V
Vstupný terminál	3.5mm dia. (AUX IN) 6.3mm dia. (MIKROFÓN)
Rozmery (Š x V x H)	236mm x 205mm x 243mm
Hmotnosť	3.8KG (bez batérie)



## ČESKY (Původní Návod)

### VYSVĚTLENÍ CELKOVÉHO POHLEDU (Obr. 1)

1. Skříňka přihrádky na baterie
2. Rukojeť
3. Kryt prostoru pro baterie (zakrývající blok baterie)
4. Pasivní reproduktor
5. DC v zásuvce
6. USB nabíjecí zásuvka
7. Pomocná vstupní zásuvka
8. Zásuvka pro mikrofon
9. LED světlo
10. Reproduktor
11. Drážka pro umístění smartphonu



12. LCD displej
13. Tlačítko pro zvýšení hlasitosti
14. Tlačítko snížení hlasitosti
15. Tlačítko Plus (tlačítko párování plus)
16. Tlačítko L/R
17. Tlačítko další skladba/rychlý posun vpřed
18. Tlačítko Přehrát/Pozastavit
19. Tlačítko Předchozí skladba/Přetočit zpět
20. Tlačítko Menu
21. Tlačítko párování Bluetooth
22. Tlačítko napájení
23. Svorka baterie LXT
24. Svorka baterie XGT

### SYMBOLY

Níže jsou zobrazeny symboly použité na zařízení. Před použitím se ujistěte, že rozumíte jejich významu.



Přečtěte si návod k obsluze.



Pouze pro země EU.

Vzhledem k přítomnosti nebezpečných

součástí v zařízení mohou mít odpadní elektrická a elektronická zařízení, akumulátory a baterie negativní dopad na životní prostředí a lidské zdraví. Nevyhazujte elektrická a elektronická zařízení nebo baterie do domovního odpadu!

V souladu s evropskou směrnicí o odpadních elektrických a elektronických zařízeních a o akumulátorech a bateriích a odpadních akumulátorech a bateriích, jakož i jejich přizpůsobení národní legislativě by měla být odpadní elektrická zařízení, baterie a akumulátory skladovány odděleně a odevzdávány na oddělené sběrné místo pro komunální odpad, fungující v souladu s předpisy o ochraně životního prostředí.

To je označeno symbolem přeškrtnuté popelnice na kolečkách umístěném na zařízení.



### Qualcomm aptX HD

Qualcomm aptX je produktem společnosti Qualcomm Technologies, Inc. a/nebo jejich dceřiných společností. Qualcomm je ochranná známka společnosti Qualcomm Incorporated, registrovaná v USA a dalších zemích. aptX je ochranná známka společnosti Qualcomm Technologies International, Ltd., registrovaná v USA a dalších zemích.

## BEZPEČNOSTNÍ UPOZORNĚNÍ POKYNY

### ⚠ VAROVÁNÍ:

Při používání elektrického přístroje by měla být vždy dodržována základní bezpečnostní opatření, aby se snížilo riziko požáru, úrazu elektrickým proudem a zranění osob, včetně následujících pravidel:

1. Před použitím si pozorně přečtěte tento návod k obsluze a návod pro nabíjení.
2. Čistěte pouze suchým hadříkem.
3. Neinstalujte v blízkosti zdrojů tepla, jako jsou radiátory, akumulátory tepla, kamna nebo jiné přístroje (včetně zesilovačů), které produkují teplo.
4. Používejte pouze doplňky/příslušenství určené výrobcem.
5. Odpojte zařízení z elektriky během bouřky, nebo pokud se nepoužívá po delší dobu.
6. Reproduktor napájený integrovaným akumulátorem nebo externím akumulátorem smí být dobíjen pouze nabíječkou předepsanou pro daný typ akumulátoru.

- Nabíječka vhodná pro určitý typ akumulátoru může způsobit požár při použití s jiným typem akumulátoru.
7. Použijte reproduktor pouze s výslovně určenými akumulátory. Použití jiných akumulátorů může způsobit riziko požáru.
  8. Pokud akumulátor nepoužíváte, držte jej z dosahu kovových předmětů, jako jsou: kancelářské sponky, mince, klíče, hřebíky, šroubky nebo další drobné kovové předměty, které mohou propojit jeden terminál s druhým. Zkratování kontaktů akumulátoru může způsobit k jiskření, popáleniny, nebo požár.
  9. Vyhněte se kontaktu těla s uzemněnými povrchy, jako jsou potrubí, radiátory, sporáky a chladničky. Existuje zvýšené riziko úrazu elektrickým proudem, pokud je vaše tělo uzemněné.
  10. V nevhodných podmínkách může kapalina z akumulátoru uniknout; zamezte kontaktu s kapalinou. Pokud náhodou dojde ke kontaktu, opláchněte vodou. Při zasažení očí, vyhledejte lékařskou pomoc. Unikající kapalina z akumulátoru může způsobit podráždění pokožky nebo popáleniny.
  11. Nepoužívejte baterii nebo nářadí, které je poškozeno nebo upraveno. Poškozené nebo upravené baterie mohou vykazovat nepředvídatelné chování, které může vést k požáru, výbuchu nebo nebezpečí zranění.
  12. Nevystavujte akumulátor ani nářadí ohni nebo nadměrné teplotě. Vystavení ohni nebo teplotě nad 130°C (266°F) C může způsobit výbuch.
  13. Dodržujte všechny pokyny pro nabíjení a nenabíjejte baterii nebo nářadí mimo rozsah teplot uvedených v pokynech. Nabíjení nesprávně nebo při teplotách mimo stanovený rozsah může poškodit akumulátor a zvýšit riziko požáru.
  14. SÍŤOVÁ zástrčka se používá pro odpojení zařízení a musí být snadno přístupná.
  15. Nepoužívejte výrobek při vysoké hlasitosti po delší dobu. Abyste zabránili poškození sluchu, používejte produkt ve střední úrovni hlasitosti.
  16. (Pouze u výrobků s LCD displejem) LCD displeje zahrnují kapalinu, která může způsobit podráždění a otravu. Pokud kapalina vnikne do očí, úst nebo kůže, vypláchněte vodou a vyhledejte lékaře.
  17. Nevystavujte výrobek dešti ani mokřím podmínkám. Vniknutí vody do výrobku zvýší riziko úrazu elektrickým proudem.
  18. Tento výrobek není určen pro použití osobami (včetně dětí) se sníženými fyzickými, smyslovými nebo duševními schopnostmi nebo nedostatečnými zkušenostmi a znalostmi, ledaže by byl s osobou odpovědnou za jejich bezpečnost. Děti by měly být pod dohledem, aby jste se ujistili, že si s produktem

- nehrají. Výrobek uchovávejte mimo dosah dětí
19. Reproduktor nezahřívajte, ani jej nevystavujte ohni, ani jej nenechávejte na horkém místě, například v blízkosti zdroje tepla, vystaveného přímému slunečnímu světlu nebo uvnitř vozidla na přímém slunci. Mohlo by dojít k požáru nebo výbuchu a následně ke zranění osob.
  20. Umístěte zařízení na rovný povrch, nebo jej zajistěte na stabilním místě. V opačném případě může dojít k nehodě při pádu.

## USCHOVEJTE TENTO NÁVOD

### ZVLÁŠTNÍ BEZPEČNOSTNÍ POKYNY PRO AKUMULÁTOR

1. Před použitím akumulátoru si přečtěte všechny pokyny a varovné symboly na (1) nabíječe, (2) akumulátoru a (3) výrobku využívajícím akumulátor.
2. Akumulátor nerozebírejte.
3. Pokud se provozní doba příliš zkrátí, přerušte okamžitě provoz. Může dojít k přehřátí, popálení nebo dokonce výbuchu.
4. Když se elektrolyt dostane do očí, vypláchněte je čistou vodou a vyhledejte ihned lékařskou pomoc. Může dojít k oslepnutí.
5. Nezkratujte akumulátor:
  - (1) Nedotýkejte se vývodů žádným vodivým předmětem.
  - (2) Akumulátor neskladujte v nádobě s jinými kovovými předměty, jako jsou hřebíky, mince, apod.
  - (3) Nevystavujte akumulátor vodě a dešti. Zkrat baterie může způsobit velký průtok proudu, přehřátí, popáleniny nebo dokonce i havárii.
6. Neskladujte a nepoužívejte nářadí a akumulátor na místech, kde může teplota dosáhnout nebo překročit 50°C (122°F).
7. Nespalujte akumulátor, ani když je vážně poškozen nebo zcela opotřeben. Akumulátor může v ohni vybuchnout.
8. Dávejte pozor, aby akumulátor nespadl na zem nebo nedošlo k nárazu.
9. Nepoužívejte poškozený akumulátor.
10. Abyste předešli riziku, měli byste před použitím přečíst návod k výměně baterie.
11. Lithium-iontové baterie, které jsou obsaženy, podléhají požadavkům ze zákona o nebezpečných látkách. Pro komerční přepravu, např. třetími stranami, dopravci, musí být dodrženy zvláštní požadavky na balení a označování. Pro přípravu přepravované záсылky je nutné konzultovat odborníka na nebezpečný materiál. Dodržujte

- prosím i podrobnější vnitrostátní předpisy. Opáskujte nebo zakryjte kontakty a vložte baterii tak, aby se nemohla pohybovat v obalu.
12. Při likvidaci zásuvky baterie, vyjměte ji ze zařízení a zlikvidujte na bezpečném místě. Dodržujte místní předpisy týkající se likvidace baterie.
  13. Použijte pouze baterie s výrobky specifikovanými firmou Makita. Instalace baterií na nevhovující výrobky může vést k požáru, nadměrnému teplu, výbuchu nebo úniku elektrolytu.
  14. Pokud se zařízení delší dobu nepoužívá, musí být baterie vyjmuta.
  15. Nedovolte, aby se do kontaktů, otvorů a drážek baterie dostaly třísky, prach nebo nečistoty.
  16. Uchovávejte baterii mimo dosah dětí.
  17. Během a po použití se může akumulátor zahřát, což může způsobit popáleniny.
  18. Nedotýkejte se koncovky zařízení bezprostředně po použití, protože se může zahřát natolik, že může způsobit popáleniny.
  19. Pokud nářadí nepodporuje použití v blízkosti vysokého napětí, nepoužívejte baterii kazety v blízkosti vedení vysokého napětí. Mohlo by to mít za následek poruchu zařízení nebo akumulátoru.
  20. Chraňte baterii před následujícími podmínkami:
    - výměna baterie za nesprávný typ, který může narušit ochranu (například v případě některých typů lithiových baterií);
    - likvidace baterie do ohně nebo horké trouby nebo mechanické rozdrncení nebo rozřezání baterie, které může způsobit výbuch;
    - ponechání baterie v prostředí s extrémně vysokou teplotou, které může způsobit výbuch nebo únik hořlavé kapaliny nebo plynu; a
    - baterie vystavená extrémně nízkému tlaku vzduchu, který může způsobit výbuch nebo únik hořlavé kapaliny nebo plynu.

**⚠ POZOR:**

- **Nebezpečí výbuchu, pokud je baterie nesprávně vyměněna.**
- **Používejte pouze originální baterie Makita. Použití neoriginálních baterií Makita nebo baterií, které byly změněny, může mít za následek výbuch baterie, což způsobí požáry, zranění osob a poškození majetku. Rovněž ruší záruku společnosti Makita pro nářadí Makita a nabíječku.**

## **Tipy pro zachování maximální životnosti akumulátoru**

1. Nabíjejte akumulátor, když je zcela vybitý. Vždy vypněte přístroj a dobijte akumulátor, když si povšimnete sníženého výkonu přístroje.
2. Nikdy nenabíjejte úplně nabitý akumulátor. Přebíjení zkracuje životnost akumulátoru.

# PROVOZNÍ ČAS

\* Vhodné baterie pro tento reproduktor jsou uvedeny v následující tabulce.

\* Následující tabulka ukazuje dobu provozu na jedno nabití.

Akumulátorová kazeta		Kapacita baterie	NA VÝSTUPU REPRODUKTORU = 100mW Jednotka: hodina (přibližně)			
			Bluetooth		AUX IN	
			LED ON	LED OFF	LED ON	LED OFF
LXT (14.4V)	BL1415N	1.5 Ah	7.0	10	7.5	10
	BL1430B	3.0 Ah	12	16	12	17
	BL1440	4.0 Ah	19	25	20	27
	BL1460B	6.0 Ah	25	34	26	36
LXT (18V)	BL1815N	1.5 Ah	8.0	10	8.5	11
	BL1820B	2.0 Ah	11	14	11	15
	BL1830B	3.0 Ah	15	19	16	20
	BL1840B	4.0 Ah	22	28	22	29
	BL1850B	5.0 Ah	28	36	29	37
	BL1860B	6.0 Ah	34	43	35	45
XGT (36V - 40V max)	BL4020	2.0 Ah	19	23	19	24
	BL4025	2.5 Ah	24	30	25	31
	BL4040(F)	4.0 Ah	39	47	40	49

## **⚠ VAROVÁNÍ:**

**Používejte pouze kazety s bateriemi uvedené výše. Použití jiných bateriových kazet může způsobit zranění a/ nebo požár.**

### **Poznámka:**

- Tabulka týkající se provozní doby baterie je uvedena výše.
- Skutečná doba provozu se může lišit podle typu baterie, stavu nabíjení nebo použití.
- Některé z výše uvedených akumulátorů a nabíječek nemusí být k dispozici v závislosti na oblasti vašeho bydliště.

# INSTALACE A NAPÁJENÍ

## ⚠ POZOR:

- Při otvírání a zavírání krytu baterie dávejte pozor, abyste si nepřiskřípli prsty.
- Po instalaci nebo vyjmutí kazety na baterie vraťte kazetu na baterie do původní polohy. Pokud tomu tak není, může kazeta baterie náhodně vypadnout z reproduktoru a způsobit zranění vám nebo někomu kolem vás.
- Před přemístěním reproduktoru se vždy ujistěte, že je zámek skříňky baterie uzamčený.
- Před instalací nebo vyjmutím akumulátorové kazety vždy vypněte reproduktor.
- Dávejte pozor, aby vám reproduktor nespadol ani na něj nic nenarazilo. Zlomený skelet (část reproduktoru) vám může pořezat prsty nebo bodnout jinou část těla. Poškozený reproduktor se může chovat nepředvídatelně a může dojít k požáru, výbuchu nebo riziku zranění.
- Při instalaci nebo vyjímání bateriové kazety držte reproduktor a bateriovou kazetu pevně v rukách. Pokud nebudete reproduktor a akumulátorovou kazetu pevně držet, může to způsobit vyklouznutí z vašich rukou a může dojít k poškození reproduktoru a akumulátorové kazety a zranění osob.

## DŮLEŽITÉ:

- Snížená spotřeba, zkrácení, "kloktavý zvuk" nebo ikona slabé baterie na displeji jsou známkami toho, že je třeba vyměnit hlavní baterii.
- Baterii nelze nabíjet pomocí dodaného napájecího adaptéru.
- Kazeta na baterie není součástí standardního příslušenství.

## Instalace a demontáž akumulátoru (obr. 2-4)

- Při instalaci akumulátoru vyrovnejte jazýček na akumulátoru s drážkou na obalu a zasuňte jej na místo. Vždy jej zasuňte až na doraz, dokud není zajištěn na svém místě a nezazní malé cvaknutí.
- Pokud vidíte červený indikátor na horní straně tlačítka, znamená to, že kazeta na baterie není zcela uzamčena. Nainstalujte ji úplně, dokud nebude vidět červený indikátor. Pokud ne, může náhodně vypadnout z reproduktoru a způsobit zranění vám nebo někomu kolem vás.
- Při vkládání akumulátoru nepoužívejte příliš velkou sílu. V případě, že kazeta nejde snadno zasunout, není správně vložena.
- Chcete-li vyjmout bateriovou kazetu, vysuňte ji z reproduktoru a stiskněte tlačítko na přední straně kazety.

## Indikace zbývajících kapacity akumulátoru (Obr. 5-6)












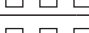
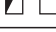
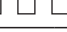

Pouze pro akumulátory s indikátorem

### ➤ 1. Kontrolky

### 2. Tlačítko test

Zmáčkněte tlačítko Test na bateriové kazetě, abyste zjistili zbývajících kapacitu akumulátoru. Kontrolky se rozsvítí na několik sekund.

### • Akumulátorová kazeta XGT/LXT

Kontrolky			Zbývajících kapacita
 Svítí	 Vypnuto	 Bliká	
			75% ~ 100%
			50% ~ 75%
			25% ~ 50%
			0% ~ 25%
			Nabíjte akumulátor.
			Akumulátor může selhat.

## POZNÁMKA:

- V závislosti na podmínkách použití a okolní teplotě, se může údaj mírně lišit od skutečné kapacity.
- První (zcela vlevo) kontrolka bude blikat, když systém ochrany baterie funguje.
- Když je baterie vybitá, vyměňte ji.

## Požítí dodávaného síťového adaptéru

Sundejte gumovou ochranu a zasuňte konektor adaptéru do napájecího konektoru na pravé straně reproduktoru. Zapojte adaptér do standardní síťové zásuvky. Kdykoli je použit adaptér, je akumulátor automaticky odpojen.

## ÚDRŽBA

### ⚠ POZOR:

- Před přemístěním reproduktoru vždy odpojte síťový adaptér. Pokud není napájení adaptér vyjmut, může způsobit úraz elektrickým proudem.
- Nikdy netahajte za kabel adaptéru. Pokud ne, může reproduktor náhodně spadnout a způsobit zranění vám nebo někomu kolem vás.

## DŮLEŽITÉ:

- Aby bylo možné reproduktor odpojit, měl by se síťový adaptér zcela vyjmout ze síťové zásuvky.
- Používejte napájecí adaptér dodávaný s produktem nebo jen specifikovaný společností Makita.
- Nedržte kabel napájení a konektor ústy. Mohlo by

dojít k úrazu elektrickým proudem.

- Nedotýkejte se síťové zástrčky vlhkými nebo mastnými rukami.
- Poškozené nebo zamotané kabely zvyšují riziko úrazu elektrickým proudem. Pokud je kabel poškozen, nechte jej vyměnit v autorizovaném servisním středisku, abyste předešli bezpečnostním nebezpečím. Nepoužívejte jej dokud není opraven.
- Po skončení práce vždy ukládejte napájecí adaptér mimo dosah dětí. Pokud si děti hrají s kabelem, mohou utrpět zranění.

## Zásuvka napájení USB

Tento konektor lze použít k nabíjení mobilního telefonu nebo jiného zařízení, které používá méně než 2,4 A stejnosměrného proudu. Nabíjení bude probíhat pouze tehdy, když je reproduktor zapnutý.

**Poznámka:** Ujistěte se, že specifikace vašeho externího zařízení, jako je mobilní telefon nebo přehrávač, je kompatibilní s reproduktorem. Před nabíjením si prosím přečtěte návod k obsluze vašeho externího zařízení.

### DŮLEŽITÉ:

- Před připojením USB zařízení k nabíječce, vždy proveďte zálohu dat uložených na USB zařízení. V opačném případě se mohou vaše data ztratit.
- Nabíječka nemusí nabíjet všechna USB zařízení.
- Pokud nepoužíváte nebo po nabití, odpojte USB kabel a zavřete kryt.
- Nepřipojujte zdroj energie k USB portu. Jinak hrozí nebezpečí požáru. USB port je určen pouze pro nabíjení zařízení s nižším napětím. Vždy umístěte kryt na USB port, když nenabíjíte zařízení s nižším napětím.
- Nevkládejte hřebík, drát, atd. do napájecího portu USB. Mohlo by dojít ke zkratu a ke vzniku kouře a požáru.
- Nepropojujte tuto USB zásuvku s USB portem počítače, protože je velmi pravděpodobné, že to může způsobit selhání přístroje.

## POSLECH HUDBY PŘES BLUETOOTH STREAMING

Chcete-li přehrávat/streamovat hudbu Bluetooth přes reproduktor, spárujte zařízení Bluetooth s reproduktorem, abyste umožnili automatické propojení.

### Poznámka:

Chcete-li dosáhnout lepší kvality zvuku, doporučujeme nastavit hlasitost na zařízení Bluetooth na více než dvě třetiny a podle potřeby upravit hlasitost reproduktoru. Tato operace je platná pouze v případě, že zařízení Bluetooth nemá absolutní hlasitost.

## První párování zařízení Bluetooth

1. Stisknutím tlačítka Napájení zapnete reproduktor. Na displeji se zobrazí "Pairing" (Párování), aby bylo vidět, že je reproduktor nalezený.
2. Aktivujte Bluetooth na svém zařízení podle uživatelské příručky zařízení a připojte se k reproduktoru. Vyhledejte seznam zařízení Bluetooth a vyberte zařízení s názvem „MR014G“ (U některých mobilů, které jsou vybaveny staršími verzemi než zařízení Bluetooth BT2.1, budete možná muset zadat přístupový kód „0000“).
3. Po připojení se ozve potvrzovací tón. Na displeji se zobrazí „Paired“ (zpárováno). Můžete jednoduše vybrat a přehrát jakoukoli hudbu ze zdrojového zařízení. Ovládání hlasitosti lze nastavit ze zdrojového zařízení nebo přímo z reproduktoru.
4. Použijte ovládací prvky na vašem zařízení Bluetooth nebo na reproduktoru pro přehrávání/pauzu a hledání stop.

### Poznámka:

- Jestliže se 2 Bluetooth zařízení párují poprvé, obě budou hledat reproduktor a na obou zařízeních se ukáže jeho dostupnost. Nicméně pokud se jedno zařízení nejdříve spojí s touto jednotkou, potom ho druhé zařízení Bluetooth nebude moci najít v seznamu.
- Je-li vaše zařízení Bluetooth dočasně odpojeno od reproduktoru, pak znovu připojte zařízení k reproduktoru manuálně.
- Je-li „MR014G“ zobrazeno v seznamu vašeho Bluetooth zařízení, ale přístroj se s ním nemůže spojit, prosím, vymažte položku ze seznamu a spárujte zařízení s reproduktorem znovu podle kroků popsaných výše.
- Optimální dosah datového proudu Bluetooth je přibližně 30 metrů (100 stop) (viditelnost) k reproduktoru, ale je možná vzdálenost až 100 metrů (328 stop).
- Pokud dojde ke ztrátě spojení Bluetooth z důvodu delší doby odpojení, překročení optimální vzdálenosti, překážek nebo jinak, bude pravděpodobně nutné znovu připojit zařízení k reproduktoru.
- Fyzické překážky, jiná bezdrátová zařízení nebo elektromagnetická zařízení mohou ovlivnit kvalitu připojení.
- Výkon Bluetooth připojení se může lišit v závislosti na připojeném zařízení Bluetooth. Podívejte se, prosím, na schopnosti Bluetooth přístroje před připojením k reproduktoru. Všechny funkce nemusí být podporovány na některých spárovaných zařízeních Bluetooth.

## Přehrávání zvukových souborů v režimu Bluetooth

Pokud jste úspěšně spojili reproduktor s vybraným zařízením Bluetooth, můžete začít přehrávat hudbu pomocí ovladačů na vašem připojeném zařízení Bluetooth.

1. Když začne hrát, nastavte hlasitost na požadovanou úroveň pomocí tlačítek hlasitosti na reproduktoru nebo na vašem připojeném zařízení Bluetooth.
2. Pomocí ovládacích prvků na zařízení Bluetooth můžete přehrávat/pozastavovat a procházet skladby. Alternativně můžete ovládat přehrávání pomocí tlačítek Play/Pause (Přehrát/Pozastavit), Next track Další skladba a Předchozí skladba na reproduktoru.
3. Stisknutím a podržením tlačítka Fast-forward (Rychlý posun vpřed) nebo Rewind (Zpět) můžete procházet aktuální skladbou. Po dosažení požadovaného bodu tlačítko uvolněte.

### Poznámka:

- Ne všechny přehrávací aplikace nebo zařízení budou reagovat na všechny tyto ovládací prvky.
- Některé mobilní telefony se mohou dočasně odpojit od reproduktoru při volání nebo přijímání hovoru. Některá zařízení mohou dočasně ztlumit Bluetooth audio přehrávání, když přijmou textovou zprávu, e-mail nebo z jiných důvodů nesouvisjících s audio přehráváním. Takové chování je funkcí připojeného zařízení, a nejedná se o poruchu reproduktoru.
- Při přehrávání v režimu Bluetooth se na displeji zobrazí informace o skladbě, jako je název, interpret, album atd.

## Přehrávání dříve spárovaného zdrojového zařízení Bluetooth

Reproduktor si může zapamatovat až 8 sad spárovaných zařízení Bluetooth, když paměť překročí toto množství, nejstarší zařízení, se kterým byl reproduktor spárován, bude přepsáno do paměti reproduktoru. Pokud se vaše zdrojové zařízení Bluetooth již dříve spárovalo s reproduktorem, reproduktor si bude stále pamatovat vaše zařízení Bluetooth a pokusí se znovu připojit k poslednímu připojenému zařízení do 1 minuty. Pokud poslední připojené zařízení není k dispozici, reproduktor bude zjištěitelný.

## Odpojení zařízení Bluetooth

Stiskněte a podržte tlačítko párování Bluetooth po dobu 2-3 sekund, dokud se na displeji nezobrazí "Pairing" (Spárování), abyste se odpojili od zařízení Bluetooth, nebo vypněte Bluetooth na zařízení Bluetooth, abyste spojení deaktivovali.


## Odstranění paměti spárovaného zařízení Bluetooth

Chcete-li vymazat paměť všech spárovaných zařízení, stiskněte a podržte tlačítko párování Bluetooth déle než 7 sekund, dokud se na displeji nezobrazí "Reset".



## SKUTEČNÁ BEZDRÁTOVÁ STEREO (TWS) FUNKCE

Skutečné bezdrátové stereo (TWS) je funkce, která umožňuje jednomu zařízení se bezdrátově připojit k jinému zařízení. Funkci TWS můžete použít k připojení k druhému MR014G ak přehrávání hudby prostřednictvím dvou reproduktorů.

## Nastavení prvního reproduktoru

1. Ujistěte se, že je první reproduktor v režimu Bluetooth a připojte se k zařízení Bluetooth.
2. Stiskněte tlačítko Plus, na displeji se zobrazí  bude blikat na displeji. Stisknutím tlačítka Plus vstoupíte do režimu "ST Pair". Pokud po dobu 10 sekund nestisknete žádné tlačítko, reproduktor také přejde do režimu "ST Pair". Na displeji se zobrazí "ST Pair".

## Nastavení druhého reproduktoru

1. Ujistěte se, že je druhý reproduktor v režimu Bluetooth a že není připojen k zařízení Bluetooth.
2. Stiskněte tlačítko Plus, na displeji se zobrazí  bude blikat na displeji. Stisknutím tlačítka Plus vstoupíte do režimu "ST Pair". Pokud po dobu 10 sekund nestisknete žádné tlačítko, reproduktor také přejde do režimu "ST Pair". Po úspěšném připojení reproduktorů  se zobrazí na obou displejích současně.

**Poznámka:** Nastavte druhý reproduktor do 1 minuty od prvního, jinak bude nastavení prvního reproduktoru zrušeno.

## Spuštění přehrávání

1. Spusťte přehrávání na připojeném zařízení Bluetooth a upravte hlasitost na zařízení Bluetooth nebo na jednom z reproduktorů pro pohodlný poslech.  
**Poznámka:** Nastavení hlasitosti nebo ekvalizéru jednoho reproduktoru se projeví na druhém.
2. Pomocí ovládacích prvků na zařízení Bluetooth můžete přehrávat/pozastavovat a procházet skladby. Případně můžete přehrávání ovládat pomocí tlačítek Přehrát/Pozastavit, Další skladba a Předchozí skladba na kterémkoli reproduktoru.
3. Stisknutím a podržením tlačítka Rychlý posun vpřed nebo Převížení vzad na kterémkoli reproduktoru se rychle posunete vpřed nebo vzad v rámci aktuální



skladby. Po dosažení požadovaného bodu tlačítka uvolněte.

## Přepínání režimu zvuku

1. Pomocí dvou reproduktorů můžete přepínat mezi režimy **L · STJ · R**, **R · STJ · R** a **L · STJ · L**.
2. Stisknutím tlačítka L/R na kterémkoli z reproduktorů změníte režim zvuku.
3. **L · STJ · R** režim: Oba reproduktory přehrávají stejný zvuk. Je to počáteční nastavení.
4. **R · STJ · R** a **L · STJ · L** režim: Jeden reproduktor hraje zvuk na pravém kanálu, zatímco druhý reproduktor hraje zvuk na levém kanálu pro stereofonní přehrávání mezi reproduktory.

## Odpojení funkce TWS

Stisknutím a podržením tlačítka Plus odpojíte funkci TWS.

## VYUŽÍVÁNÍ BEZDRÁTOVÉHO PŘEHŘÁVÁNÍ S POUŽITÍM VÍCE REPRODUKTORŮ

Hudbu si můžete vychutnat současně kombinací až 10 zařízení, která jsou s touto funkcí kompatibilní.

### Nastavení prvního reproduktoru

1. Ujistěte se, že je první reproduktor v režimu Bluetooth a připojte se k zařízení Bluetooth.
2. Stiskněte tlačítko Plus, na displeji se zobrazí **STJ · MULTI**.
3. Vyberte **MULTI** stisknutím tlačítka L/R. **MULTI** bude blikat na displeji. Stisknutím tlačítka Plus vstoupíte do režimu "MULTI Pair". Pokud po dobu 10 sekund nestisknete žádné tlačítko, reproduktor také přejde do režimu "MULTI Pair". Na displeji se zobrazí "MULTI Pair".

### Nastavení druhého reproduktoru

1. Ujistěte se, že druhý reproduktor je v režimu Bluetooth "Pairing".
2. Stiskněte tlačítko Plus, na displeji se zobrazí **STJ · MULTI**.
3. Vyberte **MULTI** stisknutím tlačítka L/R. **MULTI** bude blikat na displeji. Stisknutím tlačítka Plus vstoupíte do režimu "MULTI Pair". Pokud po dobu 10 sekund nestisknete žádné tlačítko, reproduktor také přejde do režimu "MULTI Pair". Po úspěšném připojení reproduktorů se na displeji prvního reproduktoru zobrazí "PARENT" (indikující hlavní reproduktor) a na displeji druhého reproduktoru se zobrazí "CHILD" (indikující sekundární reproduktor).

**Poznámka:** Nastavte druhý reproduktor do 1 minuty od prvního. Při přidávání nového sekundárního reproduktoru se přepočítá 1 minuta.

## Přidání nových sekundárních reproduktorů

Pokud chcete připojit třetí reproduktor nebo více nových reproduktorů, postupujte takto:

1. Ujistěte se, že je nový reproduktor v režimu Bluetooth "Pairing".
2. V § 2 Stiskněte tlačítko Plus na hlavním reproduktoru, na displeji se zobrazí "MULTI ADD".
3. Stiskněte tlačítko Plus na novém reproduktoru, na displeji se zobrazí **STJ · MULTI**.
4. Vyberte **MULTI** stisknutím tlačítka L/R. **MULTI** bude blikat na displeji. Stisknutím tlačítka Plus vstoupíte do režimu "MULTI Pair". Pokud po dobu 10 sekund nestisknete žádné tlačítko, reproduktor také přejde do režimu "MULTI Pair". Po úspěšném připojení reproduktorů se na novém reproduktoru zobrazí "CHILD" (označující sekundární reproduktor).

## Spuštění přehrávání

1. Spustěte přehrávání na připojeném zařízení Bluetooth a upravte hlasitost na zařízení Bluetooth nebo na reproduktorech pro pohodlný poslech. Ze všech reproduktorů hraje stejná hudba.

**Poznámka:** S ostatními reproduktory bude synchronizováno pouze nastavení hlasitosti nebo ekvalizéru hlavního reproduktoru. U ostatních reproduktorů nastavte hlasitost nebo ekvalizér každého reproduktoru zvlášť.

2. Pomocí ovládacích prvků na zařízení Bluetooth můžete přehrávat/pozastavovat a procházet skladby. Případně můžete přehrávání ovládat pomocí tlačítek Přehrát/Pozastavit, Další skladba a Předchozí skladba na hlavním reproduktoru.
3. Stisknutím a podržením tlačítka Rychlý posun vpřed nebo vzad na hlavním reproduktoru rychle vpřed nebo vzad v rámci aktuální skladby. Po dosažení požadovaného bodu tlačítko uvolněte.

## Odpojení více reproduktorů

- Chcete-li odpojit pouze jeden sekundární reproduktor, stiskněte a podržte tlačítko Plus sekundárního reproduktoru, který chcete odpojit.
- Chcete-li odpojit všechna připojení a opustit skupinu více reproduktorů, stiskněte a podržte tlačítko Plus na hlavním reproduktoru.

## VYBERTE FUNKCI OSVĚTLENÍ

1. Stisknutím tlačítka Napájení zapnete reproduktor.



2. Stiskněte tlačítko Menu a poté stiskněte tlačítko Předchozí stopa pro vstup do nastavení.
3. V § 3 Stisknutím tlačítka Next Track (Další skladba) nebo Previous Track (Předchozí stopa) vyberte požadovanou funkci osvětlení. Poté stisknutím tlačítka Přejrát/Pozastavit potvrďte svůj výběr.



Výběr této možnosti znamená, že kontrolka LED je vypnutá.



Výběrem této možnosti znamená, že kontrolka LED zůstane trvale svítit. (Výchozí)



Výběr této možnosti znamená, že kontrolka LED bude blikat v rytmu hudby. Účinnější je to s hudbou, která má silný rytmus.

**Poznámka:** Tato funkce je vhodná pro hudbu se silným rytmem. V opačném případě nemusí kontrolka LED blikat.

## FUNKCE EKVALIZÉRU

1. Stisknutím tlačítka Napájení zapněte reproduktor.
2. Stiskněte tlačítko Menu a poté stiskněte tlačítko Přejrát/Pozastavit pro vstup do nabídky výběru EQ.
3. Stisknutím tlačítka Další skladba nebo Předchozí stopa vyberte požadovaný režim ekvalizéru nebo zvolte konfiguraci vlastního režimu ekvalizéru. Poté potvrďte svůj výběr stisknutím tlačítka Přejrát/Pozastavit. Dostupné režimy ekvalizéru jsou: "FLAT", "JAZZ", "ROCK", "CLASSIC", "POP", "NEWS" a "MY EQ".
4. Pokud je v kroku 3 zvoleno "MY EQ", použijte tlačítka Další skladba, Předchozí skladba a Přejrát/Pozastavit pro následnou konfiguraci úrovní výšek, středů a basů.

**Poznámka:** Pokud zvýšíte hlasitost a zároveň zdůrazníte basy pomocí ekvalizéru, může dojít k praskání nebo zkreslení. V takovém případě upravte hlasitost.

## ZÁSUVKA MIKROFONU

Na pravé straně reproduktoru je 6.3mm konektor pro mikrofon pro připojení mikrofonu (není součástí dodávky).

1. Připojte mikrofon do zdířky mikrofonu (MIC).
2. Stisknutím tlačítka Napájení zapněte reproduktor.
3. Zapněte mikrofon.
4. Podle potřeby stiskněte tlačítka pro zvýšení/snížení

hlasitosti na reproduktoru pro nastavení požadované úrovně.

### Poznámka:

Neumisťujte mikrofon k reproduktoru, mohlo by to způsobit ozvěnu zpětné vazby a poškodit reproduktor.

## Nastavení hlasitosti mikrofonu

1. Stisknutím tlačítka Napájení zapněte reproduktor.
2. Stiskněte tlačítko Menu a poté stiskněte tlačítko Next Track pro vstup do nastavení.
3. V § 3 Stisknutím tlačítka Next Track (Další skladba) nebo Previous Track (Předchozí stopa) vyberte požadovanou úroveň hlasitosti mikrofonu. Poté stisknutím tlačítka Přejrát/Pozastavit potvrďte svůj výběr.

## PŘEHRÁVÁNÍ HUDBY PŘES POMOČNOU VSTUPNÍ ZÁSUVKU

Na pravé straně jednotky je k dispozici 3.5mm pomocná vstupní zásuvka pro audio signál z jakéhokoli zařízení, které je vybaveno sluchátkovým nebo audio výstupem, jako je MP3 nebo CD přehrávač.

1. Připojte stereofonní nebo mono zvukový zdroj (například MP3 nebo CD přehrávač) k zásuvce pomocného vstupu (označené „AUX IN“), reproduktor se přepne z Bluetooth do režimu pomocného vstupu.
2. Nastavte ovladač hlasitosti na vašem MP3 nebo CD přehrávači, aby byl zajištěn odpovídající signál, a poté upravte hlasitost na reproduktoru pro pohodlné poslouchání.

### Poznámka:

V režimu AUX IN se doporučuje nastavit hlasitost externího zvukového zařízení na dvě třetiny nebo vyšší. Poté upravte hlasitost reproduktoru podle potřeby, abyste dosáhli optimální kvality zvuku. Pokud je hlasitost zvukového zařízení nastavena na méně než dvě třetiny, je možné, že kontrolka LED nebude blikat. Při přehrávání prostřednictvím pomocného vstupního konektoru se na displeji nezobrazí informace, jako je název, interpret, album atd.

## ÚDRŽBA

### VAROVÁNÍ:

- Nikdy nepoužívejte benzín, ředidlo, alkohol apod. Může dojít k zabarvení, deformaci nebo popraskání.
- Neumisťujte reproduktor vodou.

# SPECIFIKACE

Zesilovač	
Výstupní výkon	14.4V: 15W 18V: 20W 36V: 20W
Frekvenční odezva	50Hz~20kHz
Aux In	
Vstupní citlivost	300mVrms @100Hz
Reproduktor	
Hlavní reproduktor	140.8mm x 1 6ohm 25W
Tweeter reproduktor	40mm x 1 6ohm 10W
Pasivní radiátor	100.7mm x 2

Bluetooth®	
(Slovní značka a loga Bluetooth® jsou registrována ochranné známky vlastněné společností Bluetooth SIG, Inc.)	
Bluetooth verze	5.1 Certifikováno
Bluetooth profil	A2DP/SCMS-T/AVRCP
Vysílací výkon	Výkon třída 1
Rozsah přenosu	Optimální: Max.30 metrů (100 stop) Možný: Max.100 metrů (328 stop) (liší se podle podmínek použití)
Podporovaný codec	SBC, AAC, aptX™, aptX™ HD
Kompatibilní Bluetooth profil	A2DP/AVRCP
Maximální výkon reproduktorové frekvence	BT EDR: 4.56dBm BT LE: 4.65dBm
Provozní frekvence	2402MHz~2480MHz

Nabíjecí zásuvka USB	
Maximální napájení ze zásuvky USB	5V, 2.4A

Obecné	
AC nabíjecí adaptor	DC in 18V 2A, středový kontakt plus
Baterie	Posuvná baterie: 14.4V 18V 36V

Vstupní terminál	průměr 3,5mm. (AUX IN) průměr 6,3mm (MIKROFON)
Rozměry (Š x V x D)	236mm x 205mm x 243mm
Váha	3.8KG (bez baterie)

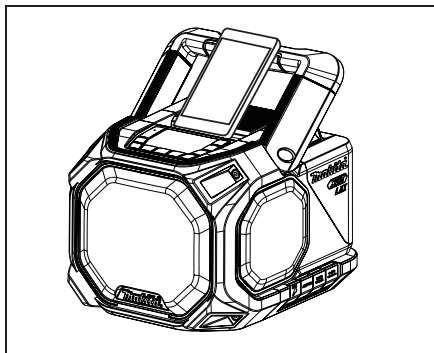
Informace o spotřebě energie	
Vypnutý režim	Toto zařízení nemá pohotovostní režim a jeho spotřeba energie ve vypnutém stavu je nižší než 0.3W.
Režim Bluetooth	V režimu Bluetooth, kdy není žádný signál, je spotřeba energie při nečinnosti v tomto režimu po 15 minutách nižší než 2W.
Režim AUX	V režimu AUX, kdy není k dispozici žádný signál, je spotřeba energie při volnoběhu v tomto režimu po 15 minutách nižší než 0.8W.

Společnost si vyhrazuje právo na změnu specifikace bez předchozího upozornění.

# УКРАЇНЬСЬКА (Оригінальна інструкція)

## ЗОВНІШНІЙ ВИГЛЯД І РОЗТАШУВАННЯ КНОПОК (МАЛ. 1)

1. Замок відсіку для батареї
2. Ручка
3. Кришка відсіку для батареї (закриває акумуляторний картридж)
4. Пасивний динамік
5. Роз'єм постійного струму
6. USB-роз'єм для заряджання
7. Додатковий вхідний роз'єм
8. Гніздо мікрофона
9. Світлодіодна лампа
10. Динамік
11. Підставка для смартфона



12. РК-дисплей
13. Кнопка збільшення гучності
14. Кнопка зменшення гучності
15. Кнопка "Плюс" (кнопка для спарювання)
16. Кнопка Л/П
17. Наступний трек/Швидке перемотування вперед
18. Кнопка "Відтворення/Пауза"
19. Попередній трек/Швидке перемотування назад
20. Кнопка «Меню»
21. Кнопка підключення блютузу
22. Кнопка живлення
23. Клема акумулятора LXT
24. Клема акумулятора XGT

## СИМВОЛИ

Нижче наводяться символи, що використовуються в обладнанні. Переконайтеся, що Ви розумієте їх

значення, перш ніж приступати до використання.



Прочитайте інструкцію з використання.



Тільки для стран ЄС.  
Пристрій містить небезпечні компоненти, відпрацьоване електричне та електронне обладнання, батареї та акумулятори, все це може негативно впливати на навколишнє середовище та здоров'я людини.

Не викидайте електричні та електронні прилади та акумулятори разом із побутовими відходами! Відповідно до європейської директиви про відходи електричного й електронного обладнання та акумуляторів і батарей, що відпрацювали свій термін, а також з їх адаптацією до національного законодавства, електрообладнання, батареї та акумулятори, що відпрацювали свій термін, слід зберігати окремо та утилізувати до спеціалізованого пункту збору, який працює відповідно до норм з охорони навколишнього середовища.

На це вказує символ перекресленого контейнера на колесах на пристрої.



## Qualcomm® aptX™ HD

Qualcomm aptX — продукт компанії Qualcomm Technologies, Inc. та/або її дочірніх компаній.

Qualcomm є товарним знаком Qualcomm Incorporated, зареєстрованим у США та інших країнах. aptX – торгова марка Qualcomm Technologies International, Ltd., зареєстрована в США та інших країнах.

## ВАЖЛИВІ ВКАЗІВКИ БЕЗПЕКИ

### ⚠ ЗАСТЕРЕЖЕННЯ:

Працюючи з електричним обладнанням, слід дотримуватися загальноприйнятих правил безпеки, щоб запобігти ризику виникнення пожежі, електричного шоку і травм. Для цього слід:

1. Уважно прочитати цю інструкцію, а також інструкцію до зарядного пристрою, перш ніж приступати до їх використання.
2. Для чищення використовувати тільки суху ганчірку.
3. Не встановлювати обладнання біля джерел тепла, наприклад, біля радіаторів, обігрівачів або

- інших пристроїв (у тому числі підсилювачі).
4. Використовуйте тільки ті пристосування/ аксесуари, що рекомендовані виробником.
  5. Вимикайте це обладнання від мережі під час грози або якщо Ви не плануєте його використовувати тривалий час.
  6. Інтегровані або змінні батареї слід заряджати тільки за допомогою вказаного зарядного пристрою. Зарядний пристрій, який підходить для одного типу батареї, може стати причиною виникнення пожежі для іншого типу батареї.
  7. Для динаміка, що працює завдяки батареям, використовуйте тільки ті батареї, що були спеціально розроблені для нього. Використання будь-яких інших батарей може спричинити пожежу.
  8. Якщо ви не використовуєте батареї, зберігайте їх далеко від виробів з металу, наприклад: скріпки, монети, ключі, цвяхи, гвинти або ін. дрібні металеві предмети, які можуть замкнути контакти батареї. Коротке замикання в контактах батареї може викликати іскру й стати причиною займання або пожежі.
  9. Уникайте контакту тіла із заземленими поверхнями, такими як труби, радіатори, плити та холодильники, оскільки існує підвищений ризик ураження електричним струмом, якщо ваше тіло заземлено.
  10. У випадку неправильного поводження батарея може потекти. Уникайте контакту з рідиною з батареї. При випадковому потрапленні на шкіру змийте водою. Якщо рідина потрапила в очі, негайно зверніться по медичну допомогу. Рідина з батареї може викликати роздратування або опіки.
  11. Не користуйтеся пошкодженим або модифікованим акумуляторним блоком чи інструментом. Пошкоджені або модифіковані акумулятори можуть демонструвати непередбачувану поведінку, що може спричинити пожежу, вибух або ризик травмування.
  12. Не піддавайте акумулятора або пристрою впливу вогню та високих температур. Нагрівання вище ніж 130°C (266°F) градусів може призвести до вибуху.
  13. Виконуйте всі інструкції із зарядки та не здійснюйте її за межами температурних умов, що зазначені у цій інструкції, бо це може призвести до ушкодження акумулятора та підвищити ризик пожежі.
  14. МЕРЕЖЕВИЙ штепсель використовується для відключення від мережі, а тому він повинен залишатися легко доступним.
  15. Не використовуйте пристрій на високому рівні

гучності тривалий період часу. Щоб уникнути пошкодження слуху, використовуйте цей пристрій на помірному рівні гучності.

16. (Для продуктів із РК-дисплеєм) РК-дисплеї містять рідину, яка може спричинити подразнення та отруєння. Якщо рідина потрапила в очі, рот або шкіру, промийте їх водою та зверніться до лікаря.
17. Не утримуйте пристрій під дощем або у вологих умовах. Якщо вода потрапить у пристрій, виникне ризик ураження електричним струмом.
18. Цей продукт не призначений для використання особами (включаючи дітей) з обмеженими фізичними, чуттєвими або розумовими здібностями або відсутністю досвіду та знань, крім випадків, коли вони знаходяться під наглядом або виконують вказівки особи, відповідальної за їхню безпеку, стосовно використання продукту. Стежте за тим, щоб діти не грали із пристроєм. Зберігайте пристрій у місцях, недоступних для дітей.
19. Не нагрівайте динамік і не піддавайте його впливу вогню, не залишайте його в нагрітому місці, наприклад, поруч з джерелом тепла, під прямими сонячними променями або в салоні автомобіля під палючим сонцем. Це може призвести до вибуху або пожежі і стати причиною травм.
20. Розташуйте пристрій на рівній горизонтальній поверхні або надійно зафіксуйте його, щоб він не впав.

## **ЗБЕРЕЖІТЬ ЦЮ ІНСТРУКЦІЮ**

### **СПЕЦІАЛЬНІ ПРАВИЛА БЕЗПЕКИ ДЛЯ АКУМУЛЯТОРНОГО КАРТРИДЖА**

1. Перш ніж приступати до роботи з акумуляторним картриджем, прочитайте всі інструкції і попереджувачі зауваження, що стосуються (1) зарядного пристрою для батареї, (2) батареї (3) обладнання, що працює на батареях.
2. Не розбирайте акумулятори.
3. Якщо термін роботи батареї значно скоротився, негайно припиніть роботу, оскільки це може викликати перегрів, займання і навіть вибух.
4. Якщо Вам в очі потрапив електроліт, негайно промийте їх чистою водою та відразу ж зверніться по медичну допомогу, бо Ви можете втратити зір.
5. Не допускайте замикання контактів батареї, а саме:

- (1) Не торкайтеся контактів ніякими матеріалами, які проводять струм.
  - (2) Не зберігайте батареї у контейнерах, де присутні інші металеві предмети, наприклад, цвяхи, монети та ін.
  - (3) Не допускайте попадання на батарею вологи і води. Це може призвести до замикання батареї, результатом чого може стати перенапруження, перенагрівання, займання або несправність.
6. Не використовуйте пристрій та акумуляторний картридж у місцях, де температура може досягати 50°C (122°F).
  7. Не кидайте батареї у вогонь, навіть якщо вони сильно пошкоджені або повністю зношені, оскільки у вогні батареї можуть вибухнути.
  8. Не кидайте батареї та оберігайте їх від механічного впливу та ударів.
  9. Не використовуйте пошкоджені батареї.
  10. Аби уникнути цих ризиків, слід спочатку ознайомитися з інструкцією.
  11. Літєві акумулятори підлягають спеціальним правилам поводження із ними. Щодо їх транспортування та продажу третьою особою, утримання тощо, слід уважно ознайомитися із вимогами на етикетках.  
Для підготовки до транспортування слід отримати консультацію спеціаліста щодо шкідливості матеріалів, а також уважно ознайомитися із місцевими умовами стосовно безпеки.  
Зафіксуйте та заверніть акумулятор належним чином, щоб він не рухався усередині пакунку.
  12. Утилізуючи акумуляторний картридж, витягніть його з пристрою і викиньте в безпечному місці. Дотримуйтесь місцевих правил щодо утилізації батарей.
  13. Використовуйте акумулятор тільки з пристроями, що були рекомендовані Makita.  
Використання акумулятора з іншими пристроями може спричинити пожежу, перегрівання, витікання електроліту та навіть вибух.
  14. Якщо пристрій не використовується протягом тривалого періоду часу, необхідно витягти з нього акумулятор.
  15. Не допускайте попадання крихти, пилу або бруду в клеми, отвори або пази акумуляторного картриджа. Це може призвести до погіршення роботи та виходу з ладу самого пристрою або акумулятора.
  16. Зберігайте акумулятор у недоступному для дітей місці.
  17. Під час використання акумуляторний картридж нагрівається, що може призвести до опіків.
  18. Не торкайтеся роз'єму пристрою відразу після використання, оскільки він може нагрітися настільки, що може спричинити опіки.
19. Акумуляторний картридж не призначений для роботи поблизу високовольтних ліній електропередач, тому не розміщуйте пристрій поблизу високовольтних ліній електропередач. Це може призвести до збою в роботі та виходу з ладу самого пристрою та акумуляторного картриджа.
  20. У разі використання акумулятора уникайте таких випадків:
    - вживання акумулятора невідповідного типу, це може призвести до порушення захисту (для деяких типів літєвих батарей);
    - потрапляння акумулятора у вогонь або гарячу піч, а також механічне роздавлювання або розривання акумулятора, що може призвести до вибуху;
    - знаходження акумулятора в навколишньому середовищі з надзвичайно високою температурою, що може призвести до вибуху або виток горючої рідини чи газу;
    - впливу надзвичайно низького тиску повітря, що може призвести до вибуху або виток горючої рідини чи газу.
- ⚠ ЗАСТЕРЕЖЕННЯ:**
- Існує безпека, якщо неправильно встановити акумулятор.
  - Використовуйте тільки акумулятори Makita. Використання акумуляторів інших виробників може призвести до травм, пожежі та інших ушкоджень. У такому випадку компанія Makita знімає із себе гарантійну відповідальність за пристрій та зарядку.

## Поради щодо забезпечення максимального терміну служби батарей

1. Заряджайте батарею до того, як вона повністю розрядилася. Як тільки Ви помітите, що обладнання працює із меншою потужністю, зупиніть роботу та поставте батарею на зарядку.
2. Не ставте на підзарядку батарею, яка повністю заряджена. Перезарядка скорочує термін служби батареї.
3. Заряджайте батареї у приміщеннях при температурі від 10° C до 40° C (50° F - 104° F). Якщо батарея нагрілася, охладіть її, перш ніж ставити на підзарядку.
4. Якщо акумулятор не використовується, витягніть його з пристрою або зарядного пристрою.
5. Час від часу підзаряджайте батареї, якщо ви не використовуєте обладнання тривалий період (більш ніж шість місяців).

## ЧАС РОБОТИ

\* Відповідні акумуляторні батареї для цього динаміка вказані в таблиці нижче.

\* У наступній таблиці наводиться час роботи після зарядки.

Акумуляторний картридж		Місткість акумулятору	ДИНАМІК НА ВИХОДІ = 100мВт Од-ці: години (приблизно)			
			Блютуз		Допоміжн. вхід	
			Лампа УВІМК	Лампа ВИМК	Лампа УВІМК	Лампа ВИМК
LXT (14,4В)	BL1415N	1.5 Ah	7.0	10	7.5	10
	BL1430B	3.0 Ah	12	16	12	17
	BL1440	4.0 Ah	19	25	20	27
	BL1460B	6.0 Ah	25	34	26	36
LXT (18В)	BL1815N	1.5 Ah	8.0	10	8.5	11
	BL1820B	2.0 Ah	11	14	11	15
	BL1830B	3.0 Ah	15	19	16	20
	BL1840B	4.0 Ah	22	28	22	29
	BL1850B	5.0 Ah	28	36	29	37
	BL1860B	6.0 Ah	34	43	35	45
XGT (36В - 40В макс)	BL4020	2.0 Ah	19	23	19	24
	BL4025	2.5 Ah	24	30	25	31
	BL4040(F)	4.0 Ah	39	47	40	49

### ⚠ ПОПЕРЕДЖЕННЯ:

Використовуйте лише перелічені вище картриджі. Використання будь-яких інших картриджів може спричинити травми та/або пожежу.

### Примітка:

- Таблиця вище щодо часу роботи акумулятору наведена для довідки.
- Фактичний час роботи може відрізнятись залежно від типу акумулятору, умов зарядки або середовища використання.
- Деякі з наведених вище акумуляторних картриджів та зарядних пристроїв можуть бути недоступні, залежно від вашого регіону.

# МОНТАЖ ТА ДЖЕРЕЛО ЖИВЛЕННЯ

## ⚠ УВАГА:

- Будьте обережні, щоб не прищемити пальці, відкриваючи й закриваючи кришку відсіку.
- Поверніть фіксатор батарейного відсіку в початкове положення після установки або вилучення батарейного картриджа. В іншому випадку батарейний картридж може випадково випасти з динаміка, завдавши травму Вам або оточуючим.
- Завжди закривайте і замикайте фіксатор батарейного відсіку перед переміщенням динаміка.
- Завжди вимикайте динамік перед тим, як вставити або видалити батарейний картридж.
- Будьте обережні, щоб не впустити і не вдарити динамік. Зламана оболонка може порізати палець або нанести рану. Пошкоджений динамік може вести себе непередбачуваним чином, що може призвести до виникнення пожежі, вибуху або травми.
- Під час установки або вилучення акумуляторного блока міцно тримайте динамік і акумуляторну батарею. В іншому випадку вони можуть вислизнути з рук, що призведе до пошкодження динаміка або батарейного картриджа, а також стати причиною травми.

## ВАЖЛИВО:

- Сигналом заміни акумулятора є зниження потужності, перешкоди, "переривчастий звук" або поява значка низького рівня заряду батареї на дисплеї.
- Картридж не можна заряджати за допомогою адаптера живлення змінного струму.
- Батарейний картридж не входить до стандартних аксесуарів.

## Встановлення та вилучення батареї (мал. 2-4)

- Щоб вставити батарею, сумістіть виступ на батареї із канавкою на корпусі та втолкніть батарею до кінця. При цьому Ви почуєте характерне клацання.
- Якщо у верхній частині кнопки загорівся червоний індикатор, значить він до кінця не вставлений. Вставте його повністю, поки червоний індикатор не згасне. В іншому випадку картридж може випадково випасти з динаміку і спричинити травму Вам або оточуючим вас людям.
- Вставляючи батарею, не прикладайте зусиль. Якщо у Вас не виходить заштовхнути батарею, це означає, що Ви робите це неправильно.
- Щоб витягнути акумуляторну батарею, висуньте

його з динаміку, водночас натискаючи кнопку на передній панелі картриджа.

## Відображення заряду батареї (Мал. 5-6)

Тільки для акумуляторних картриджів із індикатором

### ➤ 1. Лампочки індикаторів 2. Кнопка контролю

Натисніть на кнопку контролю на акумуляторному картриджі, щоб побачити заряд. Лампочки індикаторів загоряться на кілька секунд.

- XGT/LXT акумуляторний картридж

Лампочки індикаторів			Залишковий заряд
 Горить	 Вимк	 Блимає	
			75% ~ 100%
			50% ~ 75%
			25% ~ 50%
			0% ~ 25%
			Зарядіть батарею
			Можливо, батарея вийшла з ладу

## ПРИМІТКА:

- Залежно від умов використання і температури навколишнього середовища результати можуть трохи відрізнятися від фактичної ємності батареї.
- Перша (крайня ліворуч) лампочка індикатора блиматимемо, якщо спрацювала система захисту акумулятору.
- Якщо рівень зарядження низький, будь ласка, замініть акумулятор.

## Використання адаптера живлення АС, що входить до комплекту

Видаліть гумову прокладку і вставте штекер адаптера у гніздо DC, що розташоване праворуч на корпусі динаміку. Підключіть адаптер до стандартного електричного струму. Якщо використовується адаптер, батарея автоматично відключається.

## ⚠ ОБЕРЕЖНО:

- Перед переміщенням динаміка завжди повністю від'єднуйте адаптер змінного струму. Якщо адаптер змінного струму не виймати, це може спричинити ураження електричним струмом.

- Ніколи не тягніть та/або перетягуйте за шнур адаптера, бо динамік може випадково впасти, спричинивши травму Вам або комусь із оточуючих.

**ВАЖЛИВО:**

- Для того, щоб відключити динамік, мережевий адаптер слід повністю вийняти з розетки.
- Використовуйте адаптер змінного струму AC, який постачається разом із виробом або той, що схвалений Makita.
- Не тримайте кабель живлення у роті та не намагайтеся закріпити його ротом. Це може призвести до ураження електричним струмом.
- Не торкайтеся розетки живлення мокрими або жирними руками.
- Пошкоджені або заплутані шнури збільшують ризик ураження електричним струмом. Якщо шнур пошкоджений, зверніться до нашого авторизованого сервісного центру, щоб уникнути небезпеки. Не використовуйте його, поки не відремонтуйте.
- Після використання завжди зберігайте адаптер змінного струму в місцях, недоступних для дітей. Якщо діти будуть тягнути пристрій за шнур, вони можуть постраждати.

**USB-гніздо живлення**

Це гніздо можна використовувати для зарядки мобільного телефону або будь-якого іншого пристрою, що споживає струм менш, ніж 2,4А. Зарядка можлива тільки в тому випадку, якщо динамік увімкнений.

**Примітка:** Переконайтеся, що характеристики Вашого зовнішнього пристрою, а саме мобільний телефон або плеєр, сумісні з динаміком. Будь ласка, перш ніж починати зарядку, прочитайте інструкцію з експлуатації Вашого зовнішнього пристрою.

**ВАЖЛИВО:**

- Перш ніж поставити USB-пристрій на зарядку, на всяк випадок збережіть наявну на ньому інформацію на іншому носії, щоб не втратити її.
- Для деяких USB-пристроїв зарядка може не подавати енергію.
- По завершенні зарядки або якщо Ви не використовуєте дану функцію від'єднайте USB-кабель і закрийте кришку.
- Не підключайте до USB-порту джерело живлення, це може викликати займання. USB-порт призначений тільки для підзарядки пристроїв з низькою напругою. Завжди закривайте USB-порт кришкою, якщо не підзаряджаєте ніяких пристроїв із низькою напругою.
- Не вставляйте в USB-порт сторонніх предметів, таких, як цвяхи, дроти і т. ін. Це може викликати

коротке замикання і призвести до займання.

- Не під'єднуйте гніздо USB Вашого динаміку до USB-порту комп'ютера, це може вивести з ладу обидва пристрої.

**ПРОСЛУХОВУВАННЯ МУЗИКИ ЧЕРЕЗ БЛЮТУЗ-СТРИМ**

Для відтворення/передавання блютуз-музики через динамік підключіть до нього блютуз-пристрій, щоб увімкнути автоматичне з'єднання.

**Примітка:**

Щоб мати кращу якість звуку, ми рекомендуємо встановити рівень гучності на більш ніж дві третини на Вашому блютуз-пристрої, а потім регулювати гучність на динаміку за бажанням. Ця операція можлива тільки в тому випадку, якщо блютуз-пристрій немає абсолютної гучності.

**Спарювання блютуз-пристрою вперше**

1. Натисніть кнопку живлення, щоб включити динамік. На дисплеї з'явиться напис «Парування», показуючи, що динамік доступний для виявлення.
2. Для зв'язку з динаміком активуйте блютуз на своєму пристрої відповідно до інструкції. Знайдіть список блютуз-пристроїв і виберіть пристрій під назвою "MR014G" (Для деяких мобільних телефонів, що мають більш ранні версії, ніж пристрій блютуз BT2.1, можливо, Вам потрібно буде ввести код "0000").
3. Після підключення пролунає звуковий сигнал підтвердження. На дисплеї з'явиться повідомлення «Спаровано». Ви можете просто вибрати і відтворити будь-яку музику зі свого пристрою. Регулювання гучності може бути виконано з Вашого пристрою або безпосередньо з динаміку.
4. Використовуйте елементи управління на вашому пристрої з активованим блютузом або на динаміку, щоб включити відтворення/паузу або для навігації.

**Примітка:**

- Якщо виконати перше спарювання 2-х блютуз-пристроїв, обидва ці пристрої виявлять динамік, який покаже свою доступність на обох пристроях. При цьому, якщо з'єднати один пристрій із цим обладнанням, то другий блютуз-пристрій зникне зі списку.
- Якщо блютуз-пристрій було тимчасово відключено у Вашому динаміку, то Вам знадобиться знову виконати підключення пристрою вручну.
- Якщо " MR014G " є в списку блютуз-пристроїв, але при цьому пристрій не може з'єднатися з



ним, будь ласка, видаліть його з Вашого списку і виконайте спарювання пристрою із динаміком ще раз, виконуючи попередні пункти.

- Оптиміальний діапазон поточної передачі по блютузу становить приблизно 30 метрів (100 футів) (без перешкод) до динаміка, але можлива відстань до 100 метрів (328 футів).
- Якщо блютуз-з'єднання втрачено через занадто тривале роз'єднання, перевищення оптимальної відстані, перешкод або з ін. причини, може знадобитися повторне підключення пристрою до динаміка.
- Фізичні перешкоди, інші бездротові пристрої або електромагнітні хвилі від них можуть вплинути на якість з'єднання.
- Результативність блютуз-підключення може розрізнятися в залежності від блютуз-пристрою. Перед підключенням до динаміку, будь ласка, перевірте можливість Вашого блютуз-пристрою. На деяких пристроях підтримуються не всі функції.

## Відтворення аудіофайлів у режимі блютузу

Після того як Ви успішно з'єднали свій динамік з обраним блютуз-пристроєм, Ви можете почати відтворення музики за допомогою кнопок управління на підключеному блютуз-пристрої.

1. Як тільки відтворення почалося, відрегулюйте гучність за допомогою відповідних кнопок на динаміку або на Вашому активованому блютуз-пристрої.
2. Використовуйте елементи управління на блютуз-пристрої для відтворення/паузи і навігації по треках. Також можна управляти відтворенням за допомогою кнопок «Відтворення/Пауза», «Наступна доріжка» і «Попередня доріжка» на динаміку.
3. Натисніть і утримуйте кнопку швидкого перемотування вперед або назад, щоб переміщати по поточній доріжці. Відпустіть кнопку, коли буде досягнута потрібна точка.

### Примітка:

- Не всі програми та пристрої реагують на ці команди.
- Деякі мобільні телефони можуть тимчасово відключитися від динаміку, якщо Ви телефонуєте або відповідаєте на дзвінки. Деякі пристрої можуть тимчасово відключати звук блютуз-аудіо, коли надходить текстове повідомлення, електронний лист або з інших причин, не пов'язаних з відтворенням аудіо. Цей факт є особливістю підключеного пристрою і не свідчить про несправність Вашого динаміку.
- Під час відтворення в режимі блютузу на дисплеї

буде відображатися інформація про доріжку, а саме: назва, виконавець, альбом і т. д.

## Відтворення пристрою-джерела блютуз, що був раніше сполучений

Динамік може запам'ятати до 8 одиниць сполучених блютуз-пристроїв. Якщо обсяг пам'яті перевищує цю кількість, перший пристрій, з яким був сполучений динамік, буде перезаписано в пам'яті динаміка. Якщо пристрій-джерело блютуз раніше було пов'язане з динаміком, динамік все одно запам'ятає ваш блютуз-пристрій і спробує повторно з'єднатися з останнім підключеним пристроєм протягом 1 хвилини. Якщо останній підключений пристрій недоступний, динамік буде доступний для виявлення.

## Від'єднання блютуз-пристрою

Натисніть і утримуйте кнопку сполучення блютуза протягом 2-3 секунд, поки на дисплеї не з'явиться «Сполучення», щоб відключити пристрій блютуз, або вимкніть функцію блютузу на блютуз-пристрої.

## Очищення пам'яті сполученого блютуз-пристрою

Щоб очистити пам'ять усіх сполучених пристроїв, натисніть і утримуйте кнопку блютуз-сполучення протягом 7 секунд, доки на дисплеї не з'явиться «Скинути».

## СПРАВЖНЯ БЕЗДРОВОТА СТЕРЕОФУНКЦІЯ (TWS)

Справжня бездротова стереосистема (TWS) - це функція, яка дозволяє одному пристрою підключатися до бездротового з'єднання з іншими пристроями. Ви можете використовувати функцію TWS, щоб підключити його до іншого MR014G і відтворювати музику через два динаміки.

## Налаштування першого динаміку

1. Переконайтеся, що перший динамік перебуває в режимі блютузу та підключений до блютуз-пристрою.
2. Натисніть кнопку «Плюс», на дисплеї з'явиться **[ST] • [MULTI]**. При цьому **[ST]** буде блимати. Натисніть кнопку «Введення», щоб увійти до режиму «ST-сполучення». Якщо не натиснути протягом 10 секунд жодної кнопки, динамік теж увійде в режим «ST-сполучення». На дисплеї з'явиться «ST Pair».

## Налаштування другого динаміку

1. Переконайтеся, що другий динамік перебуває в режимі блютузу та підключений до блютуз-пристрою.
2. Натисніть кнопку "Плюс", на дисплеї з'явиться **[ST] • [MULTI]**. При цьому буде **[ST]** блимати. Натисніть кнопку "Введення", щоб увійти до режиму "ST-сполучення". Якщо не натиснути протягом 10 секунд жодної кнопки, динамік теж увійде до режиму "ST Pair".  
Якщо динамік успішно поєднано, на дисплеї одразу з'явиться **L - [ST] - R**.

**Примітка:** Виконайте налаштування другого динаміку через хвилину після першого, в іншому разі налаштування першого динаміку будуть скасовані.

### Початок відтворення

1. Почніть відтворення на підключеному блютуз-пристрої та відрегулюйте за своїм бажанням гучність на блютуз-пристрої або динаміку.  
**Примітка:** Достатньо виконати налаштування гучності або еквайзера на одному динаміку, ці налаштування автоматично встановляться і на другому.
2. Використовуйте кнопки керування на блютуз-пристрої для відтворення/паузи та навігації по треках. Керувати відтворенням також можна за допомогою кнопок «Відтворення/Пауза», «Наступний трек» та «Попередній трек» на будь-якому динаміку.
3. Натисніть і утримуйте кнопку перемотування вперед або назад на будь-якому динаміку, щоб перейти вперед або назад поточною доріжкою. Відпустіть кнопку, коли буде досягнуто бажаної точки.

### Переключення аудіорежиму

1. Використовуючи два динаміки, можна переключати режими **L - [ST] - R**, **R - [ST] - R** і **L - [ST] - L**.
2. Натисніть кнопку Л/П на будь-якому з динаміків, щоб змінити режим аудіо.
3. **Режим **L - [ST] - R****: Обидва динаміки відтворюють однаковий звук. Це початкове налаштування.
4. **Режими **R - [ST] - R** й **L - [ST] - L****: Один динамік відтворює звук в правому каналі, а інший динамік відтворює звук в лівому каналі для стереофонічного відтворення між динаміками.

### Деактивація функції TWS

Натисніть і утримуйте кнопку "Плюс", щоб відключити функцію TWS.

## НАСОЛОДЖУЙТЕСЯ БЕЗДРОТОВИМ ВІДТВОРЕННЯМ З ВИКОРИСТАННЯМ КІЛЬКОХ ДИНАМІКІВ

Ви можете насолоджуватися музикою, комбінуючи одночасно до 10 пристроїв, сумісних з цією функцією.

### Налаштування першого динаміку

1. Переконайтеся, що перший динамік перебуває в режимі блютузу та підключений до блютуз-пристрою.
2. Натисніть кнопку "Плюс", на дисплеї з'явиться **[ST] • [MULTI]**.
3. Виберіть **[MULTI]**, натиснувши кнопку Л/П. На дисплеї блиматиме **[MULTI]**. Натисніть кнопку "Плюс", щоб увійти до режиму "МУЛЬТІ-сполучення". Якщо не натиснути протягом 10 секунд жодної кнопки, динамік теж увійде до режиму "МУЛЬТІ-сполучення". На дисплеї з'явиться "MULTI Pair".

### Налаштування другого динаміку

1. Переконайтеся, що другий динамік перебуває в режимі "Сполучення" блютузу.
2. Натисніть кнопку "Плюс", на дисплеї з'явиться **[ST] • [MULTI]**.
3. Виберіть **[MULTI]**, натиснувши кнопку Л/П. На дисплеї блиматиме **[MULTI]**. Натисніть кнопку "Плюс", щоб увійти до режиму "МУЛЬТІ-сполучення". Якщо не натиснути протягом 10 секунд жодної кнопки, динамік теж увійде до режиму "МУЛЬТІ-сполучення". На дисплеї з'явиться "MULTI Pair". Після успішного підключення динаміків на дисплеї першого динаміку відобразиться "PARENT" (означає головний динамік), а на дисплеї другого динаміку відобразиться "CHILD" (означає додатковий динамік).

**Примітка:** Виконайте налаштування другого динаміку протягом 1 хвилини після першого. При додаванні нового додаткового динаміку 1 хвилину буде враховано.

### Додавання додаткового динаміку

Якщо потрібно додати третій динамік або більше, виконайте такі дії:

1. Переконайтеся, що новий динамік перебуває в режимі "Сполучення" блютузу.
2. Натисніть кнопку "Плюс" на головному динаміку, на дисплеї з'явиться "MULTI ADD".

3. Натисніть кнопку “Плюс” на новому динаміку, на дисплеї з’явиться **ST1** + **MULTI**.
4. Виберіть **MULTI**, натиснувши кнопку Л/П. На дисплеї блиматиме **MULTI**. Натисніть кнопку “Плюс”, щоб увійти до режиму “МУЛЬТІ-сполучення”. Якщо не натиснути протягом 10 секунд жодної кнопки, динамік теж увійде до режиму “МУЛЬТІ-сполучення”. Якщо динамік успішно підключений, на дисплеї нового динаміку з’явиться “CHILD” (позначення додаткового динаміку).



Вибір цієї опції вказує, що світлодіодна лампа вимкнена.



Вибір цієї опції показує, що світлодіодна лампа постійно горить (за замовчуванням).



Вибір цієї опції показує, що світлодіодна лампа блиматиме в ритмі музики. Більше ефектно з дуже ритмічною музикою.

## Початок відтворення

1. Почніть відтворення на підключеному блютуз-пристрої та відрегулюйте за своїм бажанням гучність на блютуз-пристрої або динаміках. На всіх динаміках відтворюватиметься та сама музика.

**Примітка:** Налаштування гучності або еквайзера на головному динаміку синхронізуються з налаштуваннями інших динаміків. Для інших динаміків можна налаштувати гучність та еквайзер окремо.

2. Використовуйте кнопки керування на блютуз-пристрої для відтворення/паузи та навігації по треках. Керувати відтворенням також можна за допомогою кнопок «Відтворення/Пауза», «Наступний трек» та «Попередній трек» на головному динаміку.
3. Натисніть і утримуйте кнопку перемотування вперед або назад на головному динаміку, щоб перейти вперед або назад поточною доріжкою. Відпустіть кнопку, коли буде досягнуто бажаної точки.

## Від’єднання кількох динаміків

- Щоб від’єднати лише один додатковий динамік, натисніть та утримуйте кнопку “Плюс” на тому динаміку, який хочете від’єднати.
- Щоб від’єднати всі динаміки та вийти з режиму кількох динаміків, натисніть та утримуйте кнопку “Плюс” на головному динаміку.

## ВИБІР ФУНКЦІЇ ЛАМПИ

1. Натисніть кнопку “Живлення”, щоб увімкнути динамік.
2. Натисніть кнопку “Меню”, потім натисніть кнопку “Попередній трек”, щоб увійти до налаштувань.
3. Натисніть кнопку “Наступний трек” або “Попередній трек”, щоб вибрати потрібну функцію лампи. Потім натисніть кнопку “Відтворення/Пауза”, щоб підтвердити свій вибір.

**Примітка:** Ця опція підходить для музики із сильним ритмом. В іншому випадку світлодіодна лампа, можливо, не блиматиме.

## ФУНКЦІЯ ЕКВАЛАЙЗЕРУ

1. Натисніть та утримуйте кнопку живлення, щоб увімкнути динамік.
2. Натисніть кнопку “Меню”, потім кнопку “Відтворення/Пауза”, щоб вибрати меню еквайзера.
3. Натисніть кнопку “Наступний трек” або “Попередній трек”, щоб вибрати потрібний режим еквайзера або встановити власні налаштування. Потім натисніть кнопку “Відтворення/Пауза”, щоб підтвердити свій вибір. Наявні режими еквайзера: “FLAT”, “JAZZ”, “ROCK”, “CLASSIC”, “POP”, “NEWS” та “MY EQ”.
4. Якщо обрано режим “MY EQ”, використовуйте кнопки “Наступний трек”, “Попередній трек” та “Відтворення/Пауза”, щоб послідовно відрегулювати високі, середні та низькі частоти.

**Примітка:** Якщо збільшити гучність одночасно, підкреслюючи баси за допомогою еквайзера, можуть виникнути тріск або спотворення звуку. У такому разі відрегулюйте гучність.

## ГНІЗДО МІКРОФОНУ

З правого боку динаміку є 6,3мм гніздо для підключення мікрофону (не входить до комплекту).

1. Підключіть мікрофон до гнізда для мікрофону (MIC).
2. Натисніть кнопку “Живлення”, щоб увімкнути динамік.
3. Увімкніть мікрофон.
4. Налаштуйте бажаний рівень гучності за допомогою кнопку “Гучність вгору/вниз” на динаміку.

**Примітка:**

Не спрямовуйте мікрофон у бік динаміку, щоб не отримати різкого свисту, що може пошкодити динамік.

**Налаштування гучності мікрофону**

1. Натисніть кнопку "Живлення", щоб увімкнути динамік.
2. Натисніть кнопку "Меню", а потім – кнопку "Наступний трек", щоб увійти до налаштувань.
3. Натисніть кнопку "Наступний трек" або "Попередній трек", щоб вибрати бажаний рівень гучності мікрофону. Потім натисніть кнопку "Відтворення/Пауза", щоб підтвердити свій вибір.

**ВІДТВОРЕННЯ МУЗИКИ  
ЧЕРЕЗ ДОПОМІЖНИЙ  
РОЗ'ЄМ**

Праворуч на динаміку є 3,5мм допоміжний роз'єм для аудіосигналу від будь-яких пристроїв, оснащених навушниками або аудіовиходом, таких як MP3-плеєр або програвач компакт-дисків.

1. Підключіть стереофонічне або монофонічне аудіоджерело (наприклад, MP3 або CD-програвач) до роз'єму додаткового входу (позначеного «AUX IN»), динамік переключиться з блютузу на режим додаткового входу.
2. Відрегулюйте гучність на вашому MP3 або CD-плеєрі, щоб забезпечити адекватний сигнал, а потім відрегулюйте гучність на динаміку для комфортного прослуховування.

**Примітка:**

У режимі AUX IN рекомендовано встановити гучність зовнішнього аудіопристрою на дві третини або вище. Потім відрегулюйте гучність динаміка за бажанням для досягнення оптимальної якості звуку. Якщо гучність аудіопристрою встановлена нижче двох третин, можливо, світлодіодна лампа не блиматиме. При відтворенні через додатковий вхідний роз'єм на дисплеї не відображається наступна інформація: назва, виконавець, альбом і т. д.

**ТЕХНІЧНЕ  
ОБСЛУГОВУВАННЯ****⚠ ЗАСТЕРЕЖЕННЯ:**

- Ніколи не використовуйте для очищення бензин, бензол, розчинник, спирт і т. ін. Це може призвести до зміни кольору, деформації або появи тріщин.
- Не мийте динамік водою.

# СПЕЦИФІКАЦІЇ

Підсилювач	
Потужність на виході	14.4В: 15Вт 18В: 20Вт 36В: 20Вт
Діапазон частот	50Гц~20кГц
Вхід Аух	
Чутливість на вході	300mVrms @100Гц
Динамік	
Головний динамік	140.8мм x 1 6ohm 25Вт
Високочастотний динамік	40мм x 1 6ohm 10Вт
Пасивний радіатор	100,7мм x 2

Bluetooth®	
(Торгова марка Блютуз® і логотипи зареєстровані і належать Bluetooth SIG, Inc.)	
Версія блютузу	5.1сертифікована
профіль блютуза	A2DP/SCMS-T/AVRCP
Передача потужності	Потужності класу 1
Діапазон передачі	Оптимальний: Макс.30 метрів (100 футів) Можливо: Макс.100 метрів (328 футів) (залежить від умов використання)
Підтримуваний кодек	SBC, AAC, aptX™, aptX™ HD
Сумісний профіль блютуза	A2DP/AVRCP
Максимальна частота динаміку	BT EDR: 4.56dBm BT LE: 4.65dBm
Робоча частота	2402 МГц~2480 МГц

Зарядне гніздо USB	
Максимальна міцність живлення USB-роз'єму	5В, 2.4А

Загальні	
Адаптер живлення АС	DC в 18В 2А, центральний контакт позитивний

Акумулятор	Слайд-акумулятор: 14.4В 18В 36В
Вхідний термінал	діаметр 3,5мм (AUX IN) Діаметр 6,3мм (МІКРОФОН)
Розмір (Ш x В x Д)	236мм x 205мм x 243мм
Вага	3.8кг (без акумулятора)

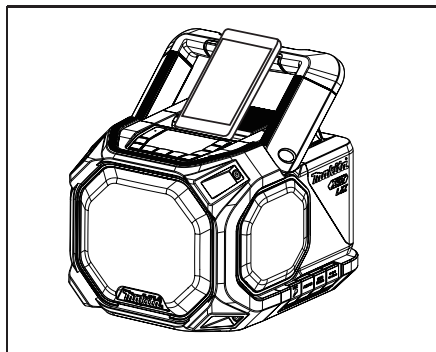
Інформація щодо споживання енергії	
У режимі ВІМК	У цьому пристрої немає режиму очікування, споживання енергії пристроєм у режимі OFF нижче 0,3Вт.
Режим блютузу	У режимі блютузу, коли немає вихідного сигналу, енергоспоживання в цьому режимі становить менш, ніж 2Вт за 15 хвилин.
Режим АУХ	У режимі АУХ, коли немає вихідного сигналу, енергоспоживання в цьому режимі становить менш, ніж 0,8Вт за 15 хвилин.

Компанія залишає за собою право вносити зміни до специфікацій без попереднього повідомлення.

## ROMÂNĂ (Instrucțiuni originale)

### EXPLICAȚII ALE VEDERII GENERALE (Fig.1)

1. Compartiment pentru baterii
2. Mâner
3. Capacul compartimentului bateriei (care acoperă bateria)
4. Difuzor pasiv
5. Mufă de alimentare cu curent continuu (DC)
6. Port de încărcare USB
7. Mufă de intrare auxiliară
8. Mufă pentru microfon
9. Lumină LED
10. Difuzor
11. Canelură pentru plasarea unui smartphone



12. Afișaj LCD
13. Buton de mărire a volumului
14. Buton de reducere a volumului
15. Buton Plus (Buton de asociere Plus)
16. Buton stânga/dreapta (L/R)
17. Buton Piesa următoare/Avansare rapidă
18. Buton Redare/Pauză
19. Buton Piesa anterioară/Revenire
20. Buton Meniu
21. Buton de asociere Bluetooth
22. Buton de alimentare
23. Borna bateriei LXT
24. Borna bateriei XGT

### SIMBOLURI

Mai jos sunt prezentate simbolurile de pe echipament. Asigurați-vă că înțelegeți semnificația lor înainte de utilizare.



Citiți manualul de utilizare. Citiți manualul de utilizare.



Doar pentru țările UE.

Din cauza prezenței componentelor periculoase în echipament, deșeurile echipamentelor electrice și electronice, acumulatorii și bateriile pot avea un impact negativ asupra mediului și sănătății umane.

Nu aruncați aparatele electrice și electronice sau bateriile împreună cu deșeurile menajere!

În conformitate cu Directiva europeană privind deșeurile echipamentelor electrice și electronice și deșeurile din acumulatori și baterii, precum și cu adaptarea acesteia la legislația națională, deșeurile echipamentelor electrice, bateriile și acumulatorii trebuie depozitate separat și predate la un punct de colectare separată a deșeurilor municipale, care funcționează în conformitate cu reglementările privind protecția mediului.

Acest lucru este indicat prin simbolul coșului de gunoi cu roți barat, plasat pe echipament.



### Qualcomm® aptX™ HD

Qualcomm aptX este un produs al Qualcomm Technologies, Inc. și/sau al filialelor sale. Qualcomm este o marcă comercială a Qualcomm Incorporated, înregistrată în Statele Unite și în alte țări. aptX este o marcă comercială a Qualcomm Technologies International, Ltd., înregistrată în Statele Unite și în alte țări.

### INSTRUCȚIUNI DE SIGURANȚĂ IMPORTANTE

#### ⚠ ATENȚIE:

Când utilizați scule electrice, trebuie luate întotdeauna măsuri de siguranță elementare pentru a reduce riscul de incendiu, șoc electric, vătămare corporală, incluzând următoarele:

1. Citiți acest manual de utilizare și manualul de utilizare al încărcătorului cu atenție înainte de folosire.
2. Curățați numai cu o cârpă uscată.
3. Nu instalați lângă surse de căldură, cum ar fi radiatoare, aeroterme, sobe sau alte aparate (inclusiv amplificatoare) care produc căldură.
4. Folosiți doar dispozitive atașate/accesorii recomandate de producător.

5. Deconectați acest aparat în timpul furtunilor cu fulgere sau când nu este utilizat pentru perioade lungi de timp.
6. Un difuzor cu acumulator integrat sau un set de acumulatori separați trebuie reîncărcat doar cu încărcătorul specificat pentru acumulator. Un încărcător care poate fi potrivit pentru un tip de acumulator poate crea un risc de incendiu atunci când este utilizat cu alt acumulator.
7. Folosiți difuzorul cu acumulator numai cu acumulatorul specificat. Utilizarea altor acumulatori poate crește riscul unui incendiu.
8. Atunci când acumulatorul nu este utilizat, păstrați-l departe de alte obiecte metalice, cum ar fi: agrafe de birou, monede, chei, cuie, șuruburi sau alte obiecte metalice mici, care pot face o conexiune între bornele lui. Scurtcircuitarea bornelor acumulatorului poate provoca scântei, arsuri sau incendiu.
9. Evitați contactul corpului cu suprafețe împănate ca țevi, radiatoare, cuptoare și frigider. Există un risc crescut de electrocutare în cazul în care corpul dvs. devine parte a sistemului de împănare.
10. În condiții abuzive, lichidul poate fi evacuat din acumulator; evitați contactul. Dacă se produce contactul în mod accidental, clătiți cu apă. Dacă lichidul intră în contact cu ochii, cereți, de asemenea, sfatul medicului. Lichidul evacuat din acumulator poate cauza iritații sau arsuri.
11. Nu utilizați un acumulator sau un instrument deteriorat sau modificat. Bateriile deteriorate sau modificate pot prezenta comportament imprevizibil care poate duce la incendiu, explozie sau risc de rănire.
12. Nu expuneți un acumulator sau dispozitiv la foc sau la temperaturi excesive. Expunerea la foc sau la temperaturi de peste 130°C (266°F) poate provoca explozie.
13. Urmați toate instrucțiunile de încărcare și nu încărcați acumulatorul sau dispozitivul în afara domeniului de temperatură specificat în instrucțiuni. Încărcarea necorespunzătoare sau la temperaturi în afara domeniului specificat poate conduce la deteriorarea bateriei și la creșterea riscului de incendiu.
14. Conectorul la rețea este utilizat ca dispozitiv de deconectare și trebuie să rămână ușor operabil.
15. Nu utilizați produsul la un volum mare pentru o perioadă lungă de timp. Pentru a evita deteriorarea auzului, utilizați produsul la un nivel de volum moderat.
16. (Doar pentru produsele cu afișaj LCD) Ecranele LCD includ lichide care pot provoca iritații și otrăviri. Dacă lichidul intră în ochi, gură sau piele, clătiți cu apă și sunați medicul.
17. Nu expuneți produsul la ploaie sau umezeală. Apa care intră în produs va crește riscul de electrocutare.
18. Acest produs nu este destinat utilizării de către persoane (inclusiv copii) cu capacități fizice, senzoriale sau mentale reduse sau lipsite de experiență și cunoștințe, cu excepția cazului în care au fost supravegheate sau instruite cu privire la utilizarea produsului de către o persoană responsabilă pentru siguranța lor. Copiii trebuie supravegheați pentru vă asigura că nu se joacă cu produsul. Nu depozitați produsul la îndemâna copiilor.
19. Nu încălziți, nu expuneți difuzorul la foc și nu-l lăsați într-un loc cald cum ar fi lângă o sursă de căldură, expus la lumina directă a soarelui sau în interiorul unui vehicul sub soarele arzător. Aceste acțiuni pot provoca un incendiu sau o explozie și pot duce la vătămări corporale.
20. Așezați echipamentul pe o suprafață plană și nivelată sau fixați-l într-un loc stabil. În caz contrar, se poate produce un accident prin cădere.

## SALVAȚI ACESTE INSTRUCȚIUNI

### REGULI DE SIGURANȚĂ SPECIFICE PENTRU ACUMULATORUL CARTUȘ

1. Înainte de a utiliza acumulatorul cartuș, citiți toate instrucțiunile și atenționările de pe (1) încărcător, (2) acumulator și (3) produsul ce folosește acumulatorul.
2. Nu dezasaamblați acumulatorul cartuș.
3. În cazul în care timpul de operare a devenit excesiv de scurt, opriți imedia folosirea. Aceasta poate conduce la risc de supraîncălzire, posibile arsuri și chiar explozie.
4. Dacă electrolitul intră în contact cu ochii, clătiți cu apă curată și consultați imediat medicul. Aceasta poate duce la pierderea vederii.
5. Nu scurtcircuitați acumulatorul cartuș:
  - (1) Nu atingeți bornele cu niciun material conductor.
  - (2) Evitați depozitarea acumulatorului cartuș într-un recipient cu alte obiecte metalice cum ar fi cuie, monede etc.
  - (3) Nu expuneți acumulatorul cartuș la apă sau ploaie. Un scurtcircuit al lui poate provoca o scurgere de curent, supraîncălzire, posibile arsuri și chiar defectarea.
6. Nu depozitați și nu utilizați echipamentul și bateria în locuri în care temperatura poate atinge sau depăși 50°C (122°F).

7. Nu incinerati acumulatorul cartuş chiar dacă acesta este grav deteriorat sau complet uzat. Acumulatorul cartuş poate exploda în foc.
8. Aveţi grijă să nu scăpaţi pe jos sau să loviţi acumulatorul cartuş.
9. Nu utilizaţi un acumulator deteriorat.
10. Pentru a evita riscul, manualul despre înlocuirea bateriei trebuie citit înainte de utilizare.
11. Bateriile litiu-ion conţinute sunt supuse cerinţelor legislaţiei privind mărfurile periculoase. Pentru transporturile comerciale, de ex. de către terţi, agenţi de expediere, trebuie respectate cerinţele speciale privind ambalarea şi etichetarea. Pentru pregătirea articolului expedit, este necesară consultarea unui expert pentru materialele periculoase. Respectaţi, de asemenea, reglementările naţionale mai detaliate. Lipiţi bandă adezivă sau izolaţi contactele şi împachetaţi bateria astfel încât să nu se poată mişca în ambalaj.
12. Atunci când aruncaţi cartuşul bateriei, scoateţi-l din dispozitiv şi aruncaţi-l într-un loc sigur. Respectaţi reglementările locale referitoare la aruncarea bateriei.
13. Folosiţi bateriile numai cu produsele specificate de Makita. Instalarea bateriilor la produse neconforme poate duce la incendiu, căldură excesivă, explozie sau scurgeri de electroliţi.
14. Dacă dispozitivul nu este utilizat pentru o perioadă lungă de timp, bateria trebuie să fie demontată din dispozitiv.
15. Nu permiteţi ca aşchii, praf sau sol să rămână blocate în bornele, orificiile şi canelurile bateriei. Aceasta poate duce la performanţe slabe sau la defectarea echipamentului sau bateriei.
16. Țineţi bateria departe de copii.
17. În timpul utilizării şi după utilizare, bateria se poate încălzi, ceea ce poate provoca arsuri sau leziuni provocate de expunerea îndelungată la temperatură medii.
18. Nu atingeţi bornele echipamentului imediat după utilizare, deoarece se pot încălzi suficient de puternic pentru a provoca arsuri.
19. Cu excepţia cazului în care echipamentul permite utilizarea în apropierea unor linii electrice de înaltă tensiune, nu utilizaţi bateria în apropierea unor linii electrice de înaltă tensiune. Aceasta poate avea ca rezultat o funcţionare defectuoasă sau o defecţiune a echipamentului sau a bateriei.
20. Protejaţi bateria de următoarele situaţii:
  - înlocuirea unei baterii cu un model incorect care poate anula un dispozitiv de siguranţă (de exemplu, în cazul unor tipuri de baterii cu litiu);
  - aruncarea unei baterii în foc sau într-un cuptor

fierbinte, sau zdrobirea sau tăierea mecanică a unei baterii, care pot duce la o explozie;

- lăsarea unei baterii într-un mediu înconjurător la temperaturi extrem de ridicate, care poate duce la o explozie sau la scurgerea unui lichid sau gaz inflamabil; şi
- expunerea bateriei unei presiuni atmosferice extrem de scăzute, care poate duce la o explozie sau la scurgerea de lichid sau gaz inflamabil.

#### **⚠️ ATENȚIE:**

- **Pericol de explozie dacă bateria este înlocuită incorect.**
- **Utilizați numai baterii originale Makita. Utilizarea bateriilor Makita neoriginale sau a bateriilor care au fost modificate poate duce la spargerea bateriilor, provocând incendii, vătămări corporale și pagube. De asemenea, va anula garanția Makita pentru dispozitivul și încărcătorul Makita.**

### **Sfaturi pentru a menține viața acumulatorului la maxim**

1. Încărcați acumulatorul cartuş înainte de a fi descărcat complet. Opriti întotdeauna funcţionarea dispozitivului şi încărcaţi acumulatorul cartuş când observaţi o scădere a energiei.
2. Niciodată nu reîncărcaţi un acumulator cartuş complet încărcat. Supraîncărcarea scurtează durata de viaţă a acumulatorului.
3. Încărcaţi acumulatorul cartuş la temperatura camerei la 10°C - 40°C (50°F - 104°F). Lăsaţi o acumulatorul cartuş prea cald se răcească înainte de încărcarea lui.
4. Atunci când nu utilizaţi bateria, îndepărtaţi-o din echipament sau din încărcător.
5. Încărcaţi acumulatorul cartuş dacă nu îl utilizaţi pentru o perioadă lungă de timp (mai mult de şase luni).



## TIMPI DE FUNCȚIONARE

\* Bateriile potrivite pentru acest difuzorul sunt prezentate în tabelul următor.

\* Următorul tabel indică timpul de funcționare pentru o singură încărcare.

Baterie		Capacitatea bateriei	LA IEȘIREA DIFUZORULUI = 100mW Unitate: Oră (Aproximativ)			
			Bluetooth		INTRARE (AUX IN)	
			LED ON (pornit)	LED OFF (oprit)	LED ON (pornit)	LED OFF (oprit)
LXT (14.4V)	BL1415N	1.5 Ah	7.0	10	7.5	10
	BL1430B	3.0 Ah	12	16	12	17
	BL1440	4.0 Ah	19	25	20	27
	BL1460B	6.0 Ah	25	34	26	36
LXT (18V)	BL1815N	1.5 Ah	8.0	10	8.5	11
	BL1820B	2.0 Ah	11	14	11	15
	BL1830B	3.0 Ah	15	19	16	20
	BL1840B	4.0 Ah	22	28	22	29
	BL1850B	5.0 Ah	28	36	29	37
	BL1860B	6.0 Ah	34	43	35	45
XGT (36V - 40V max)	BL4020	2.0 Ah	19	23	19	24
	BL4025	2.5 Ah	24	30	25	31
	BL4040(F)	4.0 Ah	39	47	40	49

### **⚠ ATENȚIE:**

**Folosiți doar acumulatori prezențați mai sus. Folosirea altor acumulatori poate cauza vătămări și/sau incendiu.**

### **Notă:**

- Tabelul privind timpul de funcționare a bateriei este orientativ.
- Timpul de funcționare actual poate diferi în funcție de tipul bateriei, condițiile de încărcare sau mediul de folosire.
- Este posibil ca unele modele de baterii și încărcătoare enumerate mai sus să nu fie disponibile în regiunea dumneavoastră de reședință.

## INSTALAREA ȘI ALIMENTAREA CU ENERGIE

### ⚠️ ATENȚIE:

- Aveți grijă să nu vă prindeți degetele când deschideți și închideți capacul bateriei.
- Întoarceți compartimentul bateriei în poziția inițială, după instalarea sau scoaterea cartușului acumulatorului. În caz contrar, cartușul acumulatorului poate cădea accidental afară din difuzor, cauzând vătămarea dvs. sau a persoanei de lângă dvs.
- Întotdeauna închideți și blocați compartimentul bateriei înainte de a muta difuzorul.
- Opriti întotdeauna difuzorul înainte de a instala sau scoate cartușul bateriei.
- Aveți grijă să nu scăpați sau să loviți difuzorul. Carcasa ruptă vă poate tăia degetul sau vă poate răni corpul. Difuzorul deteriorat poate prezenta comportament imprezibil care poate duce la incendiu, explozie sau risc de rănire.
- Țineți difuzorul și cartușul bateriei ferm la instalarea sau scoaterea cartușului bateriei. Dacă nu țineți difuzorul și cartușul bateriei ferm, vă pot aluneca din mâini, iar aceasta poate conduce la deteriorarea difuzorului și cartușului bateriei și la vătămare corporală.

### IMPORTANT:

- Puterea redusă, distorsiunea, "sunetul sacadat" sau o pictogramă cu bateria descărcată care apare pe afișaj, sunt toate semne că pachetul principal de baterii trebuie să fie înlocuit.
- Cartușul acumulatorului nu poate fi încărcat prin adaptorul de curent alternativ furnizat.
- Cartușul acumulatorului nu este inclus ca accesoriu standard.

## Instalarea sau scoaterea acumulatorului (Fig. 2-4)

- Pentru a instala acumulatorul cartuș, aliniați limba de pe cartuș cu canalul din carcasa și glisați-l înăuntru. Întotdeauna introduceți-l până la capăt până când se blochează în loc cu un mic clic.
- Dacă puteți vedea indicatorul roșu din partea superioară a butonului, acesta nu este blocat complet. Introduceți-l complet, până când indicatorul roșu nu mai este vizibil. În caz contrar, acesta poate cădea accidental din difuzor, provocând rănirea dumneavoastră sau a persoanelor din jur.
- Nu utilizați forța când introduceți acumulatorul cartuș. În cazul în care cartușul nu alunecă ușor, acesta nu este introdus corect.
- Pentru a scoate cartușul bateriei, glisați-l din difuzor apăsând butonul din partea din față a cartușului.











## Indicator pentru capacitatea rămasă a acumulatorului (Fig. 5-6)

### Doar pentru baterii cu indicator

#### ➤ 1. Lumini indicatoare 2. Buton de verificare

Apăsăți butonul de verificare de pe acumulatorul cartuș pentru a indica capacitatea rămasă a acumulatorului. Luminile indicatoare se aprind pentru câteva secunde.

#### • Baterii XGT/LXT

Indicator sau lumini			Capacitate rămasă
			
			75% ~ 100%
			50% ~ 75%
			25% ~ 50%
			0% ~ 25%
			Încarcă acumulatorul
			Acumulatorul funcționează incorect
			

### NOTĂ:

- În funcție de condițiile de utilizare și temperatura mediului ambiant, indicatorul poate diferi ușor de capacitatea reală.
- Prima lumină indicatoare (extrema stângă) se aprinde atunci când sistemul de protecție a bateriei funcționează.
- Atunci când puterea bateriei este scăzută, vă rugăm să înlocuiți bateria.

## Utilizarea adaptorului de curent alternativ (AC)

Scoateți dispozitivul de protecție de cauciuc și introduceți ștecherul adaptor în priză de curent alternativ (DC) de pe partea dreaptă a difuzorului. Conectați adaptorul într-o priză standard. Ori de câte ori este folosit adaptorul, acumulatorul este deconectat automat.

### ⚠️ ATENȚIE:

- **Înainte de a muta difuzorul, deconectați întotdeauna complet adaptorul de curent alternativ. Dacă adaptorul de curent alternativ nu este îndepărtat, poate provoca un șoc electric.**
- **Nu trageți niciodată cablul adaptorului. În caz contrar, difuzorul poate cădea accidental, cauzând vătămarea dvs. sau a cuiva de lângă dvs.**

## IMPORTANT:

- Pentru a deconecta difuzorul, adaptorul de rețea trebuie să fie complet scos din priză.
- Utilizați doar adaptorul de curent alternativ furnizat cu produsul sau specificat de Makita.
- Nu țineți cablul de alimentare sau ștecherul în gură. Acest lucru poate provoca un șoc electric.
- Nu atingeți mufa de alimentare cu mâinile umede sau grase.
- Cablurile deteriorate sau încurcate cresc riscul de electrocutare. Dacă cablul este deteriorat, înlocuiți-l la centrul de service autorizat pentru a evita pericolul. Nu îl folosiți înainte de reparații.
- După utilizare, depozitați întotdeauna adaptorul de curent alternativ departe de copii. Dacă copiii se joacă cu cablul, pot suferi vătămări.

## Priza de alimentare USB

Acestă mufă poate fi folosită pentru a încărca un telefon mobil sau orice alt dispozitiv care utilizează mai puțin de 2,4A de curent continuu. Încărcarea se va produce doar atunci când difuzorul este pornit.

**Notă:** Asigurați-vă că specificațiile dispozitivului extern, cum ar fi telefonul mobil sau player-ul, sunt compatibile cu difuzorul. Vă rugăm să citiți manualul de instrucțiuni al dispozitivului extern înainte de încărcare.

## IMPORTANT:

- Înainte de a conecta dispozitivul USB la încărcător, faceți întotdeauna o copie de rezervă a datelor de pe dispozitiv USB. În caz contrar, există probabilitatea de a pierde datele.
- Există posibilitatea ca încărcătorul să nu poată alimenta unele dispozitive USB.
- Atunci când nu utilizați sau după încărcare, scoateți cablul USB și închideți capacul.
- Nu conectați sursa de alimentare la portul USB. În caz contrar, există riscul de incendiu. Portul USB este destinat numai pentru încărcarea unui dispozitiv cu voltaj inferior. Așezați întotdeauna capacul pe portul USB atunci când nu încărcați un dispozitiv cu voltaj inferior.
- Nu introduceți cuie, sârmă etc. în portul de alimentare USB. În caz contrar, un scurtcircuit poate provoca fum și foc.
- Nu conectați această mufă USB cu portul USB al calculatorului, deoarece este foarte posibil ca aceasta să provoace defecțiunea unităților.

## ASCULTAREA MUZICII PRIN TRANSMISIE PRIN BLUETOOTH

Pentru a reda/transmite prin Bluetooth muzică prin

difuzor, asociați dispozitivul Bluetooth cu difuzorul pentru a activa legătura automată.

## NOTĂ:

Pentru a avea o calitate mai bună a sunetului, vă recomandăm să setați volumul la mai mult de două treimi pe dispozitivul dvs. Bluetooth și apoi să reglați volumul difuzorului după cum doriți. Această operațiune este valabilă numai atunci când dispozitivul Bluetooth nu este la volum maxim.

## Asocierea dispozitivului Bluetooth pentru prima dată

1. Apăsăți butonul de alimentare pentru a porni difuzorul. Va apărea pe ecran "Asociere" pentru a arăta că difuzorul este detectabil.
2. Activați Bluetooth pe dispozitiv în conformitate cu manualul de utilizare al dispozitivului pentru a vă conecta la difuzor. Identificați lista dispozitivelor Bluetooth și selectați dispozitivul numit "MR014G". (La unele telefoane mobile care sunt echipate cu versiuni anterioare dispozitivelor Bluetooth BT.2.1, poate fi necesar să introduceți codul de acces "0000").
3. Odată conectat, va exista un sunet de confirmare. Va apărea "Asociază" pe ecran. Puteți pur și simplu selecta și reda orice piesă de pe dispozitivul sursă. Controlul volumului poate fi reglat de la dispozitivul dvs. sursă sau direct din difuzor.
4. Folosiți comenzile de pe dispozitivul dvs. cu Bluetooth activat sau de pe difuzor pentru a reda/pune în pauză și naviga printre piese.

## Notă:

- Dacă două dispozitive Bluetooth, în proces de asociere pentru prima dată, caută în același timp difuzorul, acesta va arăta disponibilitatea pe ambele dispozitive. Cu toate acestea, în cazul în care un dispozitiv se leagă primul cu unitatea, celălalt dispozitiv Bluetooth nu o va găsi pe listă.
- Dacă dispozitivul Bluetooth este deconectat temporar de la difuzor, atunci va trebui să reconectați manual dispozitivul Dvs. la difuzor.
- În cazul în care MR014G este prezent în lista dispozitivului Bluetooth, dar dispozitivul nu se poate conecta cu el, ștergeți elementul din listă și asociați din nou aparatul cu difuzorul urmând pașii descriși anterior.
- Raza optimă de transmisie prin Bluetooth este de aproximativ 30 metri (linie dreaptă) până la difuzor, dar este posibilă o distanță de până la 100 de metri.
- Dacă se pierde conexiunea Bluetooth datorită depășirii timpului de separare, depășirii distanței optime, obstacolelor sau în alt mod, reconectarea dispozitivului la difuzor poate fi necesară.
- Obstacolele fizice, alte dispozitive fără fir sau dispozitive electromagnetice pot afecta calitatea

conexiunii.

- Performanța conectivității Bluetooth poate varia în funcție de dispozitivele Bluetooth conectate. Vă rugăm să consultați capacitatea Bluetooth de pe dispozitivul Dvs. înainte de a-l conecta la difuzor. Pe unele dispozitive Bluetooth asociate nu sunt acceptate toate caracteristicile.

## Redarea fișierelor audio în Mod Bluetooth

Când ați conectat cu succes difuzorul cu dispozitivul Bluetooth ales puteți începe a reda muzica Dvs. cu ajutorul comenzilor de pe dispozitivul Bluetooth conectat.

1. Odată redarea începută, reglați volumul la setarea dorită folosind butoanele de volum de pe difuzor sau de pe dispozitivul dvs. cu Bluetooth activat.
2. Utilizați comenzile de control de pe dispozitivul Bluetooth pentru redare/pauză și navigare printre piese. Alternativ, controlați redarea cu ajutorul butoanelor de pe difuzor: Redare/Pauză, Piesa următoare, Piesa anterioară.
3. Apăsăți și mențineți apăsat butonul pentru derulare rapidă înainte sau înapoi spre a naviga prin piesa curentă. Eliberați butonul când ajungeți la momentul dorit.

### Notă:

- Nu toate aplicațiile de redare sau dispozitivele răspund la toate aceste funcții de control.
- Unele telefoane mobile se pot deconecta temporar de la difuzor atunci când efectuați sau primiți apeluri. Unele dispozitive pot dezactiva temporar sunetul redării audio prin Bluetooth atunci când primesc mesaje text, e-mailuri sau din alte motive ce nu au legătură cu redarea audio. Aceasta e o funcție a dispozitivului conectat și nu indică o defecțiune a difuzorului.
- Ecranul va arăta informații cum ar fi titlu, artist, album etc., când redați în modul Bluetooth.

## Redarea folosind un dispozitiv sursă Bluetooth asociat anterior

Difuzorul poate memora până la 8 seturi de dispozitive Bluetooth asociate, iar când memoria depășește această limită, cel mai vechi dispozitiv cu care a fost asociat difuzorul va fi suprascris în memoria difuzorului. Dacă dispozitivul sursă Bluetooth a fost asociat anterior cu difuzorul, difuzorul își va aminti în continuare dispozitivul Bluetooth și va încerca să se reconecteze cu ultimul dispozitiv conectat în decurs de un minut. Dacă ultimul dispozitiv conectat nu este disponibil, difuzorul va putea fi descoperit.

## Deconectarea dispozitivului Bluetooth

Apăsăți și mențineți apăsat butonul de asociere Bluetooth pentru 2-3 secunde până când este afișat "Asociere" pe ecran pentru a deconecta dispozitivul Bluetooth sau a dezactiva Bluetooth-ul dispozitivului dvs. spre a dezactiva conexiunea.

## Ștergerea memoriei dispozitivului asociat Bluetooth

Pentru a șterge din memorie toate dispozitivele asociate, apăsați și mențineți apăsat butonul de asociere Bluetooth timp de peste 7 secunde, până când pe afișaj apare "Reset".

## FUNCȚIA STEREO ADEVĂRAT FĂRĂ FIR (TRUE WIRELESS STEREO, TWS)

Stereo adevărat fără fir (TWS) este o caracteristică ce permite ca un dispozitiv să se conecteze fără fir cu un alt dispozitiv. Puteți utiliza funcția TWS pentru a conecta la un al doilea MR014G și reda muzica prin două difuzoare.

## Configurarea primului difuzor

1. Asigurați-vă că primul difuzor este în modul Bluetooth și conectați-l la un dispozitiv Bluetooth.
2. Apăsăți butonul Plus, pe afișaj va apărea **[ST] • [MULTI]**. **[ST]** va clipi pe afișaj. Apăsăți butonul Plus pentru a intra în modul "ST Pair". Dacă niciun buton nu este apăsat timp de 10 secunde, difuzorul va intra și el în modul "ST Pair". Pe afișaj va apărea "ST Pair".

## Configurarea celui de-al doilea difuzor

1. Asigurați-vă că cel de-al doilea difuzor este în modul Bluetooth și că nu s-a conectat la un dispozitiv Bluetooth.
2. Apăsăți butonul Plus, pe afișaj va apărea **[ST] • [MULTI]**. **[ST]** va clipi pe afișaj. Apăsăți butonul Plus pentru a intra în modul "ST Pair". Dacă niciun buton nu este apăsat timp de 10 secunde, difuzorul va intra și el în modul "ST Pair". Pe afișaj va apărea "ST Pair". Atunci când difuzoarele sunt conectate cu succes, **[L - [ST] - R]** va fi afișat pe ambele afișaje în același timp.

**Notă:** Configurați cel de-al doilea difuzor în termen de un minut după primul, în caz contrar setarea primului difuzor va fi anulată.

## Pornirea redării

1. Începeți redarea pe dispozitivul Bluetooth conectat și reglați volumul pe dispozitivul Bluetooth sau pe unul

dintre difuzoare pentru o ascultare plăcută.

**Notă:** Setările de volum sau de egalizare (EQ) ale unui difuzor se vor reflecta asupra celui alt.

2. Utilizați comenzile de pe dispozitivul Bluetooth pentru a reda/opri și a naviga printre piesele muzicale. Alternativ, controlați redarea cu ajutorul butoanelor Play/Pause (Redare/Pauză), Next track (Piesa următoare) și Previous track (Piesa precedentă) de pe oricare dintre difuzoare.
3. Apăsați și mențineți apăsat butonul Fast forward (Avansare rapidă) sau Rewind (Revenire) de pe oricare dintre difuzoare pentru a avansa sau a derula înapoi rapid în cadrul piesei curente. Eliberați butonul atunci când ajungeți la momentul dorit dorit.

## Comutarea modului audio

1. Cu ajutorul a două difuzoare, puteți comuta între modurile **L - STI - R**, **R - STI - R** și **L - STI - L**.
2. Apăsați Butonul L/R de pe oricare dintre difuzoare pentru a schimba modul audio.
3. **Modul L - STI - R**: Ambele difuzoare redau același sunet. Este setarea inițială.
4. **Modul R - STI - R și modul L - STI - L**: Un difuzor redă sunetul pe canalul drept, în timp ce celălalt difuzor redă sunetul pe canalul stâng pentru o redare stereo între boxe.

## Deconectarea funcției TWS

Apăsați și mențineți apăsat butonul Plus pentru a deconecta funcția TWS.

## SAVURAȚI REDAREA WIRELESS CU MAI MULTE DIFUZOARE

Vă puteți bucura de muzică în același timp prin combinarea a până la 10 dispozitive care sunt compatibile cu această funcție.

## Configurarea primului difuzor

1. Asigurați-vă că primul difuzor este în modul Bluetooth și conectați-l la un dispozitiv Bluetooth.
2. Apăsați butonul Plus, pe afișaj va apărea **STI** și **MULTI**.
3. Selectați **MULTI** apăsând butonul L/R. **MULTI** va clipi pe afișaj. Apăsați butonul Plus pentru a intra în modul "MULTI Pair". Dacă niciun buton nu este apăsat timp de 10 secunde, difuzorul va intra și el în modul "MULTI Pair". Pe afișaj va apărea "MULTI Pair".

## Configurarea celui de-al doilea difuzor

1. Asigurați-vă că cel de-al doilea difuzor se află în modul Bluetooth "Pairing" (Asociere).
2. Apăsați butonul Plus, pe afișaj va apărea **STI** și **MULTI**.

3. Selectați **MULTI** apăsând butonul L/R. **MULTI** va clipi pe afișaj. Apăsați butonul Plus pentru a intra în modul "MULTI Pair". Dacă niciun buton nu este apăsat timp de 10 secunde, difuzorul va intra și el în modul "MULTI Pair". Când difuzoarele sunt conectate cu succes, pe afișajul primului difuzor va apărea "PARENT" (indicând difuzorul principal), iar pe afișajul celui de-al doilea difuzor va apărea "CHILD" (indicând difuzorul secundar).

**Notă:** Configurați cel de-al doilea difuzor în termen de un minut după primul. Când adăugați un nou difuzor secundar, intervalul de un minut va fi recalculat.

## Adăugarea de noi difuzoare secundare

Dacă doriți să conectați un al treilea difuzor sau mai multe difuzoare noi, urmați acești pași:

1. Asigurați-vă că noul difuzor se află în modul Bluetooth "Pairing" (Asociere).
2. Apăsați butonul Plus de pe difuzorul principal, pe afișaj va apărea "MULTI ADD".
3. Apăsați butonul Plus de pe noul difuzor, pe afișaj va apărea **STI** și **MULTI**.
4. Selectați **MULTI** apăsând butonul L/R. **MULTI** va clipi pe afișaj. Apăsați butonul Plus pentru a intra în modul "MULTI Pair". Dacă niciun buton nu este apăsat timp de 10 secunde, difuzorul va intra și el în modul "MULTI Pair". Când difuzoarele sunt conectate cu succes, "CHILD" (indicând difuzorul secundar) va fi afișat pe noul difuzor.

## Pornirea redării

1. Începeți redarea pe dispozitivul Bluetooth conectat și reglați volumul pe dispozitivul Bluetooth sau pe difuzoare pentru o ascultare plăcută. Aceeași muzică este redată de la toate difuzoarele.

**Notă:** Doar volumul sau setările de egalizare (EQ) ale difuzorului principal vor fi sincronizate cu celelalte difuzoare. Pentru celelalte difuzoare, vă rugăm să setați volumul sau egalizarea fiecărui difuzor în parte.

2. Utilizați comenzile de pe dispozitivul Bluetooth pentru a reda/opri și a naviga printre piesele muzicale. Alternativ, controlați redarea cu ajutorul butoanelor Play/Pause (Redare/Pauză), Next track (Piesa următoare) și Previous track (Piesa precedentă) de pe difuzorul principal.
3. Apăsați și mențineți apăsat butonul Fast forward (Avansare rapidă) sau Rewind (Revenire) de pe difuzorul principal pentru a avansa sau a derula înapoi rapid în cadrul piesei curente. Eliberați butonul atunci când ajungeți la momentul dorit dorit.

## Deconectarea difuzoarelor multiple

- Pentru a deconecta doar un singur difuzor secundar, apăsați și mențineți apăsat butonul Plus al difuzorului secundar pe care doriți să-l deconectați.
- Pentru a deconecta toate conexiunile și a ieși din grupul de difuzoare multiple, apăsați și mențineți apăsat butonul Plus al difuzorului principal.

## SELECTAREA FUNCȚIEI DE ILUMINARE

1. Apăsați butonul de alimentare pentru a porni difuzorul.
2. Apăsați butonul Menu (Meniu), apoi apăsați butonul Previous Track (Piesa anterioară) pentru a intra în setări.
3. Apăsați butonul Next Track (Piesa următoare) sau Previous Track (Piesa anterioară) pentru a selecta funcția de iluminare dorită. Apoi apăsați butonul Play/Pause (Redare/Pauză), pentru a confirma selecția.



Selectarea acestei opțiuni indică faptul că lumina LED este oprită.



Selectarea acestei opțiuni indică faptul că lumina LED rămâne aprinsă în mod continuu. (Implicit)



Selectarea acestei opțiuni indică faptul că lumina LED va clipei în ritmul muzicii. Este mai eficientă ca muzica care are un ritm puternic.

**Notă:** Această funcție este potrivită pentru muzica cu un ritm puternic. În caz contrar, este posibil ca lumina LED să nu clipească.

## FUNCȚIA EGALIZATOR

1. Apăsați butonul de alimentare pentru a porni difuzorul.
2. Apăsați butonul Menu (Meniu), apoi apăsați butonul Play/Pause (Redare/Pauză) pentru a intra în meniul de selectare a egalizatorului.
3. Apăsați butonul Next Track (Piesa următoare) sau Previous Track (Piesa anterioară) pentru a selecta modul de egalizare dorit sau alegeți să vă configurați propriul mod de egalizare. Apoi, apăsați butonul Play/Pause (Redare/Pauză) pentru a confirma selecția. Modulurile de egalizator disponibile sunt: "FLAT", "JAZZ", "ROCK", "CLASSIC", "POP", "NEWS" și "MY

EQ".

4. Dacă "MY EQ" este ales la pasul 3, utilizați butoanele Piesă următoare, Piesa anterioară și Redare/Pauză pentru a configura ulterior nivelurile de înalte, medii și joase.

**Notă:** Dacă măriți volumul în timp ce accentuați basul cu un egalizator, pot apărea scârțâituri sau distorsiuni. În acest caz, reglați volumul.

## MUFĂ PENTRU MICROFON

În partea dreaptă a difuzorului este prevăzută o mufă pentru microfon de 6,3 mm, pentru conectarea microfonului (microfonul nu este furnizat).

1. Conectați microfonul la mufa pentru microfon (MIC).
2. Apăsați butonul de alimentare pentru a porni difuzorul.
3. Porniți microfonul.
4. Apăsați butoanele de mărire/reducere a volumului de pe difuzor, după cum este necesar, pentru a regla nivelul dorit.

**Notă:**

Nu poziționați microfonul lângă difuzor, deoarece poate provoca microfonie și va deteriora difuzorul.

## Setarea volumului microfonului

1. Apăsați butonul de alimentare pentru a porni difuzorul.
2. Apăsați butonul Menu (Meniu), apoi apăsați butonul Next Track (Piesa următoare) pentru a intra în setări.
3. Apăsați butonul Next Track (Piesa următoare) sau Previous Track (Piesa anterioară) pentru a selecta nivelul dorit al volumului microfonului. Apoi apăsați butonul Play/Pause (Redare/Pauză) pentru a confirma selecția.

## REDAREA MUZICII PRIN INTERMEDIUL MUFEI DE INTRARE AUXILIARE

În partea dreaptă a echipamentului este prevăzută o mufă de intrare auxiliară de 3,5mm pentru un semnal audio de la orice dispozitiv care dispune de o ieșire pentru căști sau audio, cum ar fi un MP3 sau un CD player.

1. Conectați o sursă audio stereo sau mono (de exemplu, MP3 sau CD player) la intrarea auxiliară (marcată cu "AUX IN"), difuzorul va fi comutat de la Bluetooth la modul intrare auxiliară.
2. Reglați controlul volumului de pe MP3 sau CD player pentru a asigura un semnal adecvat și apoi reglați volumul la difuzor pentru o ascultare confortabilă.

**Notă:**

În modul AUX IN, se recomandă să setați volumul

dispozitivului audio extern la două treimi sau mai mult. Apoi, reglați volumul difuzorului după cum este necesar pentru a obține o calitate optimă a sunetului. Dacă volumul dispozitivului audio este setat la mai puțin de două treimi, este posibil ca lumina LED să nu clipească. Afișajul nu arată informații cum ar fi titlu, artist, album etc., în timpul redării prin mufa de intrare auxiliară.

## ÎNȚREȚINERE

### ⚠ ATENȚIE:

- Nu utilizați niciodată benzină, diluant, alcool sau altele substanțe asemănătoare. Pot conduce la decolorare, deformare sau fisuri.
- Nu spălați difuzorul cu apă.

## SPECIFICAȚII

Amplificator	
Puterea la ieșire	14.4V: 15W 18V: 20W 36V: 20W
Frecvența de răspuns	50Hz~20kHz
Aux In	
Sensibilitatea la intrare	300mVrms @100Hz
Difuzor	
Difuzor principal	140.8mm x 1 6ohm 25W
Difuzor sunete înalte	40mm x 1 6ohm 10W
Difuzor radiator pasiv	100.7mm x 2

Bluetooth®	
(Denumirea Bluetooth® și sigla sunt mărci comerciale înregistrate deținute de Bluetooth SIG, Inc.)	
Versiune Bluetooth	Certificat 5.1
Profiluri Bluetooth	A2DP/SCMS-T/AVRCP
Puterea de transmisie	Putere Clasa 1
Intervalul de transmisie	Optim: Max. 30 metri (100 picioare) Posibil: Max. 100 metri (328 picioare) (variază în funcție de condițiile de utilizare)
Codec acceptat	SBC, AAC, aptX™, aptX™ HD
Profil Bluetooth compatibil	A2DP/AVRCP
Putere maximă de radiofrecvență a difuzorului	BT EDR: 4.56dBm BT LE: 4.65dBm
Frecvența de operare	2402MHz~2480MHz

Priză de încărcare USB	
Energie maximă furnizată de priză USB	5V, 2.4A

General	
Adaptor curent alternativ	DC in 18V 2A, pin central pozitiv
Baterie	Baterie glisantă: 14.4V 18V 36V
Mufă de intrare	3,5mm diametru (AUX IN) 6,3mm diametru (MICROFON)
Dimensiuni (L x H x B)	236mm x 205mm x 243mm
Masă	3.8kg (fără baterie)

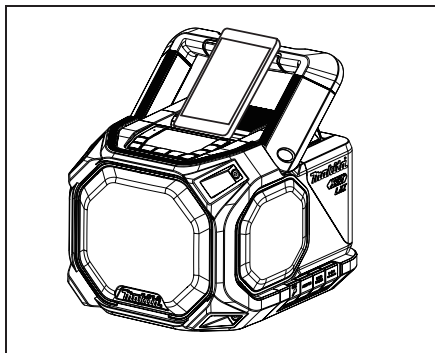
Informații privind consumul de energie	
Modul oprit	Acest dispozitiv nu are un mod de așteptare (standby), iar consumul de energie în modul oprit este sub 0,3W.
Modul Bluetooth	În modul Bluetooth, atunci când nu există nicio ieșire de semnal, consumul de energie în starea de inactivitate în acest mod este sub 2W după 15 minute.
Modul AUX	În modul AUX, atunci când nu există nicio ieșire de semnal, consumul de energie în starea de inactivitate în acest mod este sub 0,8W după 15 minute.

Compania își rezervă dreptul de a modifica specificațiile fără preaviz.

# DEUTSCH (Originalanweisungen)

## ÜBERSICHT DES GERÄTS (Abb. 1)

1. Batteriefachverriegelung
2. Griff
3. Batteriefachabdeckung (Abdeckung der Batteriekassette)
4. Passiver Lautsprecher
5. DC-Eingang
6. USB-Ladeanschluss
7. Aux-Eingang
8. Mikrofonbuchse
9. LED-Anzeige
10. Lautsprecher
11. Halterung für Smartphone



12. LCD
13. Lautstärke erhöhen
14. Lautstärke reduzieren
15. Plus-Taste (Plus-Kopplung)
16. L/R-Taste
17. Nächster Titel Suchlauf vorwärts
18. Wiedergabe Pause
19. Vorheriger Titel Suchlauf rückwärts
20. Menü-Taste
21. Bluetooth-Kopplung
22. Betriebstaste
23. LXT-Batterieklemme
24. XGT-Batterieklemme

## SYMBOLS

Nachfolgend werden die Symbole für dieses Gerät erläutert. Verinnerlichen Sie die Bedeutung aller Symbole vor dem Gebrauch.



Lesen Sie die Bedienungsanleitung gut durch.



Nur für EU-Länder.

Aufgrund der enthaltenen gefährlichen Substanzen im Gerät können elektrische und elektronische Altgeräte, Akkus und Batterien umweltund gesundheitsschädigende Auswirkungen haben.

Elektrische und elektronische Geräte oder Batterien dürfen nicht über den normalen Hausmüll entsorgt werden! Gemäß der Europäischen Richtlinie über elektrische und elektronische Altgeräte, über Akkus, Batterien und verbrauchte Akkus und Batterien, sowie deren Überführung in nationale Gesetze, müssen elektrische Altgeräte, Batterien und Akkus getrennt aufbewahrt, an einer speziellen Sammelstelle entsorgt, und in Übereinstimmung mit Umweltvorschriften verwendet werden. Das Symbol mit der durchgekreuzten Mülltonne auf dem Gerät weist daraufhin.



Qualcomm® aptX™ HD

Qualcomm aptX ist ein Produkt von Qualcomm Technologies, Inc. und/oder deren Tochterunternehmen. Qualcomm ist ein in den USA und in anderen Ländern registriertes Markenzeichen von Qualcomm Incorporated. aptX ist ein in den USA und in anderen Ländern registriertes Markenzeichen von Qualcomm Technologies International, Ltd.

## WICHTIGE SICHERHEITSHINWEISE

### **⚠️ WARNUNG:**

Bei der Verwendung elektrischer Geräte sind die nachfolgenden grundlegenden Sicherheitsvorkehrungen zu beachten, um die Gefahr von Feuer, Stromschlägen und Verletzungen zu vermeiden:

1. Lesen Sie diese Bedienungsanleitung und die Anleitungen des Ladegeräts vor dem Gebrauch sorgfältig durch.
2. Nur mit einem trockenen Lappen reinigen.
3. Stellen Sie das Gerät nicht in der Nähe von Hitzequellen, wie z. B. Heizungen, Herden oder anderen Geräten die Hitze produzieren (z. B. Verstärker) auf.
4. Verwenden Sie lediglich vom Hersteller angegebenes Zubehör.
5. Ziehen Sie bei Gewittern oder bei längerer



- Nichtbenutzung den Stecker aus der Steckdose.
6. Ein batteriebetriebener Lautsprecher mit integrierten Batterien oder einem separaten Akku darf nur mit dem für die Batterie bestimmten Ladegerät aufgeladen werden. Ladegeräte, die für einen bestimmten Typ von Batterie geeignet sind, können beim Gebrauch mit anderen Batterien Feuer verursachen.
  7. Verwenden Sie batteriebetriebene Lautsprecher nur mit den speziell dafür vorgegebenen Batterien. Die Verwendung anderer Batterien kann Feuer verursachen.
  8. Halten Sie den Akku während des Nichtgebrauchs von anderen Metallgegenständen fern: Büroklammern, Münzen, Schlüssel, Nägel oder andere kleine Metallgegenstände, die eine Verbindung zwischen den Klemmen herstellen können. Ein Kurzschluss der Pole kann Funken, Verbrennungen oder Feuer verursachen.
  9. Vermeiden Sie den Körperkontakt mit geerdeten Oberflächen wie Rohre, Heizkörper, Herde und Kühlschränke. Es besteht erhöhte Stromschlaggefahr, falls Ihr Körper geerdet wird.
  10. Bei Missbrauch des Geräts kann Flüssigkeit aus der Batterie austreten; Kontakt vermeiden. Bei versehentlichem Kontakt mit Wasser abspülen. Falls Batterieflüssigkeit in die Augen gelangt, suchen Sie einen Arzt auf. Batterieflüssigkeit kann Reizungen und Verbrennungen verursachen.
  11. Verwenden Sie Akkus oder Werkzeuge nicht, falls diese beschädigt sind. Mit beschädigten oder modifizierten Batterien können unvorhergesehene Situationen auftreten, die wiederum Explosionen oder Verletzungen verursachen könnten.
  12. Schützen Sie Akkus und Instrumente vor Feuer bzw. übermäßigen Temperaturen. Temperaturen über 130°C (266°F) können Explosionen verursachen.
  13. Befolgen Sie alle Anleitungen zum Aufladen; laden Sie den Akku oder das Instrument nicht außerhalb des vorgegebenen Temperaturbereichs auf. Falls Sie den Akku unsachgemäß oder außerhalb der richtigen Temperatur aufladen, besteht erhöhte Brandgefahr.
  14. Der NETZSTECKER ist die Trennvorrichtung und muss immer zugänglich sein.
  15. Verwenden Sie das Produkt nicht über längere Zeiträume mit hoher Lautstärke. Wählen Sie eine moderate Lautstärkeeinstellung, um Gehörschäden zu vermeiden.
  16. (Nur für Produkte mit LCD) LCD-Bildschirme enthalten Flüssigkeit, die Hautreizungen und Vergiftung verursachen kann. Falls die Flüssigkeit in Augen, Mund oder auf die Haut gelangt, spülen Sie die betroffenen Stellen mit Wasser ab und wenden Sie sich an einen Arzt.
  17. Schützen Sie das Produkt vor Regen oder Feuchtigkeit. Eindringendes Wasser kann die Gefahr von Stromschlägen erhöhen.
  18. Dieses Produkt ist nicht geeignet für Personen (einschließlich Kinder) mit eingeschränkten körperlichen, sensorischen oder geistigen Fähigkeiten, oder ohne Erfahrung und Wissen, es sei denn sie werden von einer für ihre Sicherheit zuständigen Person beaufsichtigt oder angeleitet. Kinder müssen beaufsichtigt werden, damit sie nicht mit dem Produkt spielen. Bewahren Sie das Produkt außer Reichweite von Kindern auf.
  19. Schützen Sie das Gerät vor Wärme und Feuer. Lassen Sie es nicht an heißen Orten zurück, wie z.B. in der Nähe von Wärmequellen, in direkter Sonneneinstrahlung oder in Fahrzeugen, die in der Sonne stehen. Anderenfalls könnten Feuer oder Explosionen und daraus resultierend Verletzungen verursacht werden.
  20. Stellen Sie das Gerät auf einen ebenen, flachen Untergrund oder befestigen Sie das Gerät an einem sicheren Ort. Anderenfalls könnte es herunterfallen.

## DIESE ANLEITUNGEN GUT AUFBEWAHREN

### SPEZIELLE SICHERHEITSHINWEISE FÜR DAS BATTERIEGEHÄUSE

1. Lesen Sie vor dem Gebrauch des Batteriegehäuses alle Anleitungen und Warnhinweise auf dem Ladegerät (1), der Batterie (2) und dem Produkt (3) durch.
2. Das Batteriegehäuse nicht auseinanderbauen.
3. Falls die Betriebsdauer deutlich nachlässt, beenden Sie umgehend den Gebrauch. Anderenfalls besteht die Gefahr von Überhitzung, Verbrennungen oder sogar Explosionen.
4. Falls Elektrolyt in Ihre Augen gelangt, spülen Sie diese mit klarem Wasser aus und suchen Sie umgehend einen Arzt auf. Anderenfalls besteht die Gefahr, dass Sie Ihr Sehvermögen verlieren.
5. Batteriegehäuse nicht kurzschließen:
  - (1) Lassen Sie die Klemmen nicht mit leitenden Materialien in Kontakt kommen.
  - (2) Bewahren Sie das Batteriegehäuse nicht in einem Behälter mit anderen Metallgegenständen wie Nägeln, Münzen usw. auf.

- (3) Schützen Sie das Batteriegehäuse vor Wasser und Regen. Der Kurzschluss der Batterie kann einen großen Stromfluss, Überhitzung, Verbrennungen oder sogar einen Ausfall des Geräts verursachen.
6. Lagern und verwenden Sie das Gerät und die Batteriekassette nicht an Orten mit Temperaturen von oder über 50°C (122°F).
  7. Verbrennen Sie das Batteriegehäuse nicht, auch wenn dieses extrem beschädigt oder vollständig abgenutzt ist. Das Gehäuse könnte in einem Feuer explodieren.
  8. Batterie nicht fallenlassen und vor Aufprall schützen.
  9. Verwenden Sie die Batterie nicht, falls diese beschädigt ist.
  10. Um Gefahren zu vermeiden, lesen Sie vor dem Gebrauch die Bedienungsanleitung des Akkus durch.
  11. Die enthaltenen Lithium-Ion-Batterien unterliegen den Vorschriften des Gefahrgutrechts. Während des Transports, z.B. durch Dritte oder Spediteure, sind spezielle Anforderungen auf der Verpackung und den Etiketten zu beachten.  
Vor dem Versand des Produkts muss ein Experte für Gefahrstoffe konsultiert werden. Beachten Sie außerdem national geltende Vorschriften.  
Kleben Sie freiliegende Kontakte ab und verpacken Sie die Batterie so, dass sie nicht in der Verpackung herumrutscht.
  12. Zum Entsorgen der Batteriebox entfernen Sie diese aus dem Gerät und entsorgen Sie sie dann an einem sicheren Ort. Beachten Sie alle örtlich geltenden Vorschriften zum Entsorgen von Batterien.
  13. Verwenden Sie die Batterien nur mit den von Makita vorgegebenen Produkten. Falls Sie die Batterien in nicht kompatiblen Produkten installieren, können Feuer, Überhitzung und Explosion verursacht werden oder Batterieflüssigkeit austreten.
  14. Während längeren Zeiten des Nichtgebrauchs ist die Batterie aus dem Gerät zu entfernen.
  15. Achten Sie darauf, dass die Klemmen, Löcher und Rillen der Batteriekassette nicht von Spänen, Staub oder Öl blockiert werden. Anderenfalls könnten die Leistung beeinträchtigt oder das Gerät oder die Batteriekassette ausfallen.
  16. Die Batterie gehört nicht in Kinderhände.
  17. Während und nach dem Gebrauch kann die Batteriekassette warm werden und so Verbrennungen oder Kälteverbrennungen verursachen.
  18. Berühren Sie die Klemmen des Geräts nicht unmittelbar nach dem Gebrauch; es besteht die Gefahr von Verbrennungen.
  19. Sofern das Gerät nicht für einen Gebrauch in der Nähe von elektrischen Hochspannungsleitungen geeignet ist, darf die Batteriekassette nicht in der Nähe von solchen Hochspannungsleitungen verwendet werden. Anderenfalls besteht das Risiko, dass das Gerät oder die Batteriekassette nicht richtig funktionieren oder ausfallen.
  20. Schützen Sie die Batterie vor folgenden Situationen:
    - Das Ersetzen der Batterie durch eine Batterie des falschen Typs kann Gefahrensituationen verursachen (zum Beispiel bei einigen Lithium-Batterietypen);
    - Das Entsorgen einer Batterie im Feuer oder in einem brennenden Ofen, oder das mechanische Zerdrücken oder Zertrennen einer Batterie; es besteht Explosionsgefahr;
    - Das Aufbewahren einer Batterie bei extrem hohen Temperaturen; dadurch können Explosionen verursacht werden oder brennbare Flüssigkeiten oder Gase austreten; und
    - Eine Batterie wird extrem niedrigem Luftdruck ausgesetzt; dadurch können Explosionen verursacht werden oder brennbare Flüssigkeiten oder Gase austreten.
- ⚠ VORSICHT:**
- **Es besteht Explosionsgefahr, falls Batterien unsachgemäß ausgetauscht werden.**
  - **Verwenden Sie nur echte Makita Batterien. Unechte Makita Batterien oder modifizierte Batterien können zum Zerplatzen der Batterie führen und dadurch Feuer, Verletzungen und Schäden verursachen. In solch einem Fall wird außerdem die Makita Garantie für Makita Instrumente und Ladegeräte nichtig.**

### Tipps für eine maximale Nutzungsdauer der Batterie

1. Laden Sie die Batterie auf, bevor diese vollständig entladen ist. Beenden Sie den Betrieb und laden Sie die Batterie auf, wenn die Leistung des Geräts nachlässt.
2. Laden Sie eine vollständig geladene Batterie nicht weiter auf. Überladung verkürzt die Lebensdauer.
3. Laden Sie die Batterie bei einer Umgebungstemperatur von 10°C 40°C (50°F 104°F) auf. Lassen Sie ein heißes Batteriegehäuse vor dem Aufladen abkühlen.
4. Wenn Sie die Batteriekassette nicht verwenden, entfernen Sie diese aus dem Produkt bzw. Ladegerät.
5. Laden Sie die Batterie, falls Sie das Gerät längere Zeit (länger als Monate) nicht verwenden werden.

# BETRIEBSDAUER

\* In der nachfolgenden Tabelle sind die für das Gerät geeigneten Batterien aufgelistet.

\* Die nachfolgende Tabelle ist eine Übersicht mit der jeweiligen Betriebsdauer pro Batterieladung.

Batteriekassette		Batteriekapazität	AT LAUTSPRECHERAUSGANG = 100mW Einheit: Stunde (ungefähr)			
			Bluetooth		AUX-Eingang	
			LED EIN	LED AUS	LED EIN	LED AUS
LXT (14,4V)	BL1415N	1.5 Ah	7.0	10	7.5	10
	BL1430B	3.0 Ah	12	16	12	17
	BL1440	4.0 Ah	19	25	20	27
	BL1460B	6.0 Ah	25	34	26	36
LXT (18V)	BL1815N	1.5 Ah	8.0	10	8.5	11
	BL1820B	2.0 Ah	11	14	11	15
	BL1830B	3.0 Ah	15	19	16	20
	BL1840B	4.0 Ah	22	28	22	29
	BL1850B	5.0 Ah	28	36	29	37
	BL1860B	6.0 Ah	34	43	35	45
XGT (36V - 40V max.)	BL4020	2.0 Ah	19	23	19	24
	BL4025	2.5 Ah	24	30	25	31
	BL4040(F)	4.0 Ah	39	47	40	49

## WARNUNG:

Verwenden Sie nur die oben aufgeführten Batteriekarten. Die Verwendung anderer Batteriekarten kann Verletzungen und/oder Feuer verursachen.

### Hinweis:

- Die Nutzungsdauern in der obigen Tabelle sind nur Richtwerte.
- Die tatsächliche Nutzungsdauer kann je nach Batterie-Typ, Ladebedingungen bzw. Gebrauchsumgebung variieren.
- Je nach Ihrer Region ist es möglich, dass nicht alle der aufgelisteten Batteriekassetten und Ladegeräte verfügbar sind.

# INSTALLATION UND STROMVERSORGUNG

## ⚠ VORSICHT:

- Achten Sie beim Öffnen und Schließen der Batteriefachabdeckung darauf, Ihre Finger nicht einzuklemmen.
- Bringen Sie die Verriegelung des Batteriefachs nach der Installation oder Entnahme der Batteriehalterung wieder zur Ausgangsposition zurück. Anderenfalls könnte die Batteriehalterung versehentlich aus dem Lautsprecher herausfallen und dadurch Verletzungen verursachen.
- Schließen und sichern Sie die Verriegelung des Batteriefachs, bevor Sie den Lautsprecher umstellen.
- Schalten Sie den Lautsprecher immer aus, bevor Sie die Batteriehalterung installieren oder entfernen.
- Lassen Sie den Lautsprecher nicht herunterfallen und schützen Sie es vor Aufprällen. Ein kaputtes Gehäuse könnte Verletzungen an Fingern und Körper verursachen. Ein beschädigter Lautsprecher kann unvorhersehbar reagieren und als Folge Feuer, Explosionen oder Verletzungen verursachen.
- Halten Sie den Lautsprecher und die Batteriebox während der Installation bzw. Deinstallation der Batterie gut fest. Anderenfalls könnten diese aus Ihren Händen gleiten, wodurch der Lautsprecher und die Batterie beschädigt und Verletzungen verursacht werden könnten.

## WICHTIG:

- Eine nachlassende Leistung, Störungen, „stotternde Geräusche“ bzw. das Icon für den niedrigen Ladestatus im Display sind alles Anzeichen dafür, dass der Akku ersetzt werden muss.
- Die Batteriehalterung kann nicht über den mitgelieferten AC-Netzadapter aufgeladen werden.
- Die Batteriehalterung ist kein Standardzubehör des Produkts.

## Batteriegehäuse installieren und entfernen (Abb. 2-4)

- Um das Batteriegehäuse zu installieren, richten Sie die Nase am Batteriegehäuse mit der Einkerbung am Gehäuse des Geräts aus und schieben Sie es hinein, bis es mit einem Klickgeräusch einrastet.
- Ist weiterhin der oben auf der Taste befindliche rote Bereich sichtbar, dann ist der Akkublock nicht ganz eingerastet. Setzen Sie den Akkublock vollständig ein, bis der rote Bereich nicht mehr sichtbar ist. Andernfalls kann der Block versehentlich aus dem Gerät fallen und Sie oder Personen in Ihrem Umfeld

verletzen.

- Wenden Sie bei der Installation des Batteriegehäuses keine Gewalt an. Falls sich das Batteriegehäuse nicht mühelos hineinschieben lässt, ist es nicht richtig positioniert.
- Zum Entnehmen der Batteriebox schieben Sie diese aus dem Lautsprecher, während Sie auf die Taste an der Vorderseite der Batteriebox drücken.















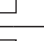
## Anzeige der verbleibenden Batteriekapazität (Abb. 5-6)

Nur für Batteriekassetten mit Anzeige

### ➤ 1. Anzeigelampen 2. Test-Taste

Drücken Sie die Test-Taste am Batteriegehäuse, um die verbleibende Batteriekapazität anzuzeigen. Die Anzeigelampen leuchten einige Sekunden lang auf.

### • XGT/LXT Batteriekassette

Anzeigelampen			Verbleibende Kapazität
 Leuchtet	 Aus	 Blinkt	
			75% ~ 100%
			50% ~ 75%
			25% ~ 50%
			0% ~ 25%
			Batterie aufladen
			Mögliche Fehlfunktion der Batterie

## HINWEIS:

- Je nach Gebrauchsbedingungen und Umgebungstemperatur können die Anzeigen leicht von der tatsächlichen Kapazität abweichen.
- Die erste Anzeige (ganz links) blinkt, wenn das Schutzsystem der Batterie funktioniert.
- Bei niedrigem Ladestatus ersetzen Sie bitte die Batterie.

## Verwendung des mitgelieferten AC-Netzadapters

Entfernen Sie die Gummikappe und schließen Sie den Adapterstecker an die DC-Buchse rechtes am Lautsprecher an. Schließen Sie dann den Netzadapter an eine Steckdose an. Bei Anschluss des Netzadapters wird der Akku automatisch getrennt.

### **⚠ VORSICHT:**

- **Trennen Sie den AC-Netzadapter immer vollständig, bevor Sie den Lautsprecher umstellen. Andernfalls besteht Stromschlaggefahr.**
- **Ziehen Sie niemals am Kabel des Netzadapters. Andernfalls könnte der Lautsprecher herunterfallen und dadurch Verletzungen verursachen.**

### **WICHTIG:**

- Ziehen Sie den Netzadapter vollständig aus der Steckdose heraus, um den Lautsprecher vom Netzstrom zu trennen.
- Verwenden Sie nur das im Lieferumfang enthaltene bzw. ein von Makita empfohlenes AC-Netzteil.
- Halten Sie weder das Netzkabel noch den Netzstecker an Ihren Mund. Es besteht Stromschlaggefahr.
- Berühren Sie den Netzstecker nicht mit nassen oder fettigen Händen.
- Beschädigte oder verhedderte Kabel erhöhen die Stromschlaggefahr. Falls das Kabel beschädigt ist, lassen sie es von einem autorisierten Kundendienst ersetzen, um Gefahrensituationen zu vermeiden. Benutzen Sie es erst wieder nach der Reparatur.
- Bewahren Sie das AC-Netzteil nach dem Gebrauch außer Reichweite von Kindern auf. Kinder können sich verletzen, falls sie mit dem Kabel spielen.

## **Stromversorgung via USB**

Verwenden Sie diesen Port zum Aufladen eines Handys oder anderer Geräte, die einen DC-Strom von weniger als 2,4A benötigen. Zum Aufladen muss der Lautsprecher eingeschaltet sein.

**Hinweis:** Vergewissern Sie sich, dass die technischen Spezifikationen Ihres externen Geräts (z.B. Handy oder Player) mit denen des Lautsprechers kompatibel sind. Informieren Sie sich vor dem Aufladen näher in der Bedienungsanleitung Ihres externen Geräts.

### **WICHTIG:**

- Bevor Sie ein USB-Gerät mit dem Ladegerät verbinden, sichern Sie immer die Daten des USB-Geräts. Daten können aus unterschiedlichsten Gründen verlorengehen.
- Möglicherweise kann das Ladegerät nicht alle USB-Geräte mit Strom versorgen.
- Trennen Sie das USB-Kabel und schließen Sie die Abdeckung während des Nichtgebrauchs bzw. nach Abschluss des Ladevorgangs.
- Verbinden Sie den USB-Port nicht mit der Stromversorgung. Es besteht Brandgefahr. Der USB-Port ist nur zum Aufladen von Niederspannungsgeräten bestimmt. Installieren Sie immer die Abdeckung auf dem USB-Port, wenn Sie

keine Geräte damit aufladen.

- Stecken Sie keine Nägel, Drähte usw. in den USB-Port. Es besteht Rauchund Brandgefahr.
- Verbinden Sie diesen USB-Anschluss nicht mit dem USB-Port eines PCs; dies könnte zum Ausfall beider Geräte führen.

## **MUSIKWIEDERGABE VIA BLUETOOTH-ÜBERTRAGUNG**

Um Musik per Bluetooth-Übertragung über den Lautsprecher abzuspielen, koppeln Sie Ihr Bluetooth-Gerät mit dem Lautsprecher, um die automatische Verbindung zu aktivieren.

### **Hinweis:**

Für eine bessere Sound-Qualität empfehlen wir, die Lautstärke an Ihrem Bluetooth-Gerät mit einer Einstellung von zwei Dritteln und am Lautsprecher je nach Bedarf einzustellen. Diese Funktion ist nur verfügbar, wenn am Bluetooth-Gerät nicht die absolute Lautstärkeregelung aktiviert ist.

## **Erstmalige Kopplung mit Ihrem Bluetooth-Gerät**

1. Schalten Sie den Lautsprecher mit der Betriebstaste ein. Im Display erscheint die Anzeige „Pairing“ und weist somit darauf hin, dass der Lautsprecher für andere Geräte erfassbar ist.
2. Aktivieren Sie an Ihrem externen Gerät gemäß dessen Bedienungsanleitung die Bluetooth-Funktion, um es mit dem Lautsprecher zu koppeln. Öffnen Sie die Bluetooth-Geräteliste und wählen Sie das Gerät „MR014G“. (Einige Handys mit älteren Versionen als BT.2.1 Bluetooth erfordern möglicherweise die Eingabe eines Passworts. Geben Sie in solch einem Fall „0000“ ein).
3. Nach der Verbindung ertönt ein Bestätigungston und im Display erscheint die Anzeige „Paired“. Sie können nun Musikdaten des externen Geräts auswählen und abspielen. Die Lautstärke stellen Sie am externen Gerät oder direkt am Lautsprecher ein.
4. Verwenden Sie die Tasten an Ihrem Bluetooth-fähigen Gerät oder am Lautsprecher, um Titel abzuspielen/ zu unterbrechen bzw. zu suchen.

### **Hinweis:**

- Bei der erstmaligen Kopplung von 2 Bluetooth-Geräten suchen beide Geräte nach dem Lautsprecher; an beiden Geräten wird dessen Verfügbarkeit angezeigt. Sobald jedoch ein Gerät mit dem Lautsprecher verbunden ist, erscheint es nicht mehr in der Geräteliste des zweiten Bluetooth-Geräts.

- Falls Ihr Bluetooth-Gerät vorübergehend vom Lautsprecher getrennt ist, müssen Sie es erneut manuell mit dem Lautsprecher verbinden.
- Falls „MR014G“ in der Geräteliste Ihres Bluetooth-Geräts erscheint, jedoch nicht verbunden werden kann, löschen Sie es aus der Liste und führen Sie die Kopplung erneut anhand der vorher beschriebenen Vorgehensweise durch.
- Die optimale Bluetooth-Übertragungsreichweite zum Lautsprecher beträgt ungefähr 30 Meter (100 Fuß) (Sichtlinie), wobei jedoch Reichweiten von bis zu 100 Metern (328 Fuß) möglich sein können.
- Falls die Bluetooth-Verbindung aufgrund einer zu lange andauernden Trennung, einer Überschreitung der optimalen Reichweite oder aufgrund von Hindernissen oder ähnlichem getrennt wurde, müssen das Gerät und der Lautsprecher möglicherweise erneut verbunden werden.
- Gegenstände, schnurlose Geräte oder elektromagnetische Geräte können die Verbindungsqualität beeinflussen.
- Bluetooth-Verbindungsfähigkeit kann je nach verbundenem Bluetooth-Gerät variieren. Informieren Sie sich über die Bluetooth-Fähigkeit Ihres externen Geräts, bevor Sie Ihren Lautsprecher verbinden. Einige gekoppelte Bluetooth-Geräte unterstützen möglicherweise nicht alle Funktionen.

## Wiedergabe von Audiodateien im Bluetooth-Modus

Nachdem Sie Ihren Lautsprecher erfolgreich mit einem Bluetooth-Gerät verbunden haben, können Sie Musik unter Verwendung der Tasten am verbundenen Bluetooth-Gerät abspielen.

1. Nach dem Start der Wiedergabe können Sie die Lautstärke mit den Lautstärketasten an Ihrem Lautsprecher oder Ihrem aktivierten Bluetooth-Gerät einstellen.
2. Verwenden Sie die Tasten an Ihrem Bluetooth-Gerät zum Starten/Unterbrechen der Wiedergabe und zur Auswahl von Titeln. Alternativ dazu können Sie die Wiedergabe mit den Tasten Wiedergabe/Pause, Nächster Titel und Vorheriger Titel an Ihrem Lautsprecher steuern.
3. Halten Sie die Taste Vorspulen oder Zurückspulen gedrückt, um den aktuellen Titel zu durchsuchen. Lassen Sie die Taste los, sobald Sie die gewünschte Stelle gefunden haben.

### Hinweis:

- Möglicherweise reagieren nicht alle Anwendungen oder Geräte auf das Drücken der Tasten.
- Bei einigen Handys wird möglicherweise vorübergehend die Verbindung mit dem Lautsprecher getrennt, während Sie Anrufe tätigen oder

- entgegennehmen. An einigen Geräten wird die Bluetooth-Übertragung stumm geschaltet, wenn Textnachrichten und E-Mails eingehen oder andere Gründe auftreten, die nicht im Zusammenhang mit der Audioübertragung stehen. Dies liegt am externen Gerät und ist keine Fehlfunktion Ihres Lautsprechers.
- Während der Wiedergabe im Bluetooth-Modus werden im Display Titeldaten wie Name, Künstler, Album, usw. angezeigt.

## Wiedergabe bereits gekoppelter Bluetooth-Geräte

Der Lautsprecher kann bis zu 8 Bluetooth-Geräte speichern. Wird diese Anzahl überschritten, wird das Gerät, das zuerst mit dem Lautsprecher gekoppelt war, überschrieben. Falls Ihr Bluetooth-Gerät zu einem früheren Zeitpunkt mit dem Lautsprecher gekoppelt war, wird der Lautsprecher das Bluetooth-Gerät erkennen. Der Lautsprecher wird versuchen, innerhalb von 1 Minute die Verbindung mit dem zuletzt verbundenen Gerät herzustellen. Falls das zuletzt verbundene Gerät nicht verbunden werden kann, geht der Lautsprecher in den Modus über, in dem er für den Aufbau einer Bluetooth-Verbindungsmodus verfügbar ist.

## Bluetooth-Gerät trennen

Halten Sie die Bluetooth-Kopplungstaste 2-3 Sekunden gedrückt, bis im Display die Anzeige „Pairing“ erscheint, um Ihr Bluetooth-Gerät zu trennen. Alternativ dazu können Sie die Bluetooth-Funktion an Ihrem Bluetooth-Gerät deaktivieren, um die Verbindung zu trennen.

## Gekoppelte Bluetooth-Geräte löschen

Um die Liste der gekoppelten Geräte zu löschen, halten Sie die Bluetooth-Kopplungstaste länger als 7 Sekunden gedrückt, bis im Display die Anzeige „Gelöscht“ erscheint.

## TRUE WIRELESS STEREO (TWS)

Mit der Funktion True Wireless Stereo (TWS) kann ein Gerät schnurlos mit einem anderen Gerät verbunden werden. Verwenden Sie die TWS-Funktion, um einen zweiten MR014G zu verbinden und so Musik über zwei Lautsprecher abzuspielen.

## Ersten Lautsprecher einrichten

1. Vergewissern Sie sich, dass am ersten Lautsprecher der Bluetooth-Modus aktiviert und mit einem Bluetooth-Gerät verbunden ist.
2. Drücken Sie die Plus-Taste; im Display erscheint die Anzeige **[ST] • [MULTI]**. **[ST]** blinkt im Display. Drücken Sie die Plus-Taste, um den „ST Koppeln“-Modus

aufzurufen. Falls Sie 10 Sekunden lang keine Taste drücken, wird ebenfalls der „ST Koppeln“-Modus aktiviert. Im Display erscheint die Anzeige „ST Koppeln“.

## Zweiten Lautsprecher einrichten

1. Vergewissern Sie sich, dass am zweiten Lautsprecher der Bluetooth-Modus aktiviert, jedoch kein Bluetooth-Gerät mit dem Lautsprecher verbunden ist.
2. Drücken Sie die Plus-Taste; im Display erscheint die Anzeige **[ST] • [MULTI]**. **[ST]** blinkt im Display. Drücken Sie die Plus-Taste, um den „ST Koppeln“-Modus aufzurufen. Falls Sie 10 Sekunden lang keine Taste drücken, wird ebenfalls der „ST Koppeln“-Modus aktiviert.

Nach der erfolgreichen Verbindung der Lautsprecher erscheint die Anzeige **[L - [ST] - R]** gleichzeitig in den Displays beider Lautsprecher.

**Hinweis:** Richten Sie den zweiten Lautsprecher innerhalb von 1 Minute nach dem Einrichten des ersten Lautsprechers ein. Anderenfalls werden die Einstellungen des ersten Lautsprechers deaktiviert.

## Wiedergabe starten

1. Starten Sie an dem verbundenen Bluetooth-Gerät die Wiedergabe und stellen Sie die Lautstärke am Bluetooth-Gerät oder an einem der beiden Lautsprecher ein.
- Hinweis:** Die Lautstärke- und EQ-Einstellungen des einen Lautsprechers werden von dem anderen Lautsprecher übernommen.
2. Verwenden Sie die Tasten an Ihrem Bluetooth-Gerät, um die Wiedergabe zu starten/ zu unterbrechen und um Titel zu suchen. Alternativ dazu können Sie die Funktionen auch mit den Tasten Wiedergabe/Pause, Nächster Titel und Vorheriger Titel an einem der beiden Lautsprecher ausführen.
  3. Halten Sie an einem der Lautsprecher die Taste Suchlauf vorwärts oder Suchlauf rückwärts gedrückt, um die Wiedergabe des aktuellen Titels vor- oder zurückzuspulen. Lassen Sie die Taste los, wenn Sie die gewünschte Stelle im Titel gefunden haben.

## Audiomodus einstellen

1. Während der Verwendung von zwei Lautsprechern können Sie zwischen **[L - [ST] - R]**, **[R - [ST] - R]** und **[L - [ST] - L]** wählen.
2. Drücken Sie die L/R-Taste an einem der beiden Lautsprecher, um den Audiomodus zu ändern.
3. **[L - [ST] - R] -Modus:** An beiden Lautsprechern wird der gleiche Sound abgespielt (Ausgangseinstellung).
4. **[R - [ST] - R] und [L - [ST] - L] :** Im Stereo-Modus erfolgt an einem Lautsprecher die Wiedergabe über den rechten Kanal und an dem anderen Lautsprecher

über den linken Kanal.

## TWS-Funktion deaktivieren

Halten Sie die Plus-Taste gedrückt, um die TWS-Funktion zu deaktivieren.

## SCHNURLOSE WIEDERGABE MIT MEHREREN LAUTSPRECHERN

Sie können für die Wiedergabe bis zu 10 kompatible Geräte miteinander verbinden.

## Ersten Lautsprecher einrichten

1. Vergewissern Sie sich, dass am ersten Lautsprecher der Bluetooth-Modus aktiviert und ein Bluetooth-Gerät verbunden ist.
2. Drücken Sie die Plus-Taste; im Display erscheint die Anzeige **[ST] • [MULTI]**.
3. Wählen Sie mithilfe der L/R-Taste die Option **[MULTI]**; **[MULTI]** blinkt im Display. Drücken Sie die Plus-Taste, um den „MULTI Koppeln“-Modus zu aktivieren. Falls Sie 10 Sekunden keine Taste drücken, wird ebenfalls der „MULTI Koppeln“-Modus aktiviert. Im Display erscheint die Anzeige „MULTI Koppeln“.

## Zweiten Lautsprecher einrichten

1. Vergewissern Sie sich, dass am zweiten Lautsprecher der Bluetooth-„Kopplungsmodus“ aktiviert ist.
2. Drücken Sie die Plus-Taste; im Display erscheint die Anzeige **[ST] • [MULTI]**.
3. Wählen Sie mithilfe der L/R-Taste die Option **[MULTI]**; **[MULTI]** blinkt im Display. Nach der erfolgreichen Verbindung beider Lautsprecher erscheint am ersten Lautsprecher die Anzeige „ELTERN“ (und weist somit darauf hin, dass es sich um den primären Lautsprecher handelt) und am zweiten Lautsprecher die Anzeige „KIND“ (und weist somit darauf hin, dass es sich um den sekundären Lautsprecher handelt).

**Hinweis:** Richten Sie den zweiten Lautsprecher innerhalb von 1 Minute nach dem Einrichten des ersten Lautsprechers ein. Sofern Sie noch weitere sekundäre Lautsprecher hinzufügen, beginnt die 1 Minute jeweils von neuem zu laufen.

## Weitere Lautsprecher einrichten

Falls Sie einen dritten oder weitere Lautsprecher verbinden möchten, gehen Sie wie folgt vor:

1. Vergewissern Sie sich, dass am neuen Lautsprecher der Bluetooth-„Kopplungsmodus“ aktiviert ist.
2. Drücken Sie am primären Lautsprecher die Plus-Taste; im Display erscheint die Anzeige „MULTI



HINZUFÜGEN“.

3. Drücken Sie an dem neuen Lautsprecher die Plus-Taste; im Display erscheint die Anzeige **[ST] : [MULTI]**.
4. Wählen Sie mithilfe der L/R-Taste die Option **[MULTI]**; **[MULTI]** blinkt im Display. Drücken Sie die Plus-Taste, um den „MULTI Koppeln“-Modus zu aktivieren. Falls Sie 10 Sekunden keine Taste drücken, wird ebenfalls der „MULTI Koppeln“-Modus aktiviert. Nach der erfolgreichen Verbindung der Lautsprecher erscheint an dem neuen Lautsprecher die Anzeige „KIND“ (und weist somit darauf hin, dass es sich um einen sekundären Lautsprecher handelt).

## Wiedergabe starten

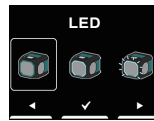
1. Starten Sie an dem verbundenen Bluetooth-Gerät die Wiedergabe und stellen Sie die Lautstärke am Bluetooth-Gerät oder an den Lautsprechern ein. Alle Lautsprecher spielen dieselbe Musik ab.  
**Hinweis:** Nur die Lautstärke- und EQ-Einstellungen des primären Lautsprechers werden mit den anderen Lautsprechern synchronisiert. Bei allen anderen Lautsprechern müssen Sie die Lautstärke und die EQ-Einstellungen separat einstellen.
2. Verwenden Sie die Tasten an Ihrem Bluetooth-Gerät, um die Wiedergabe zu starten/zu unterbrechen oder um Titel zu finden. Alternativ dazu können Sie diese Funktionen auch mit den Tasten Wiedergabe/Pause, Nächster Titel und Vorheriger Titel am primären Lautsprecher ausführen.
3. Halten Sie die Taste Suchlauf vorwärts oder Suchlauf rückwärts am primären Lautsprecher gedrückt, um die Wiedergabe des aktuellen Titels vor- oder zurückzuspulen. Lassen Sie die Taste los, wenn Sie die gewünschte Stelle im Titel gefunden haben.

## Mehrere Lautsprecher trennen

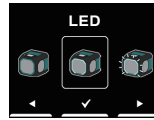
- Um nur einen der sekundären Lautsprecher zu trennen, halten Sie die Plus-Taste des gewünschten sekundären Lautsprechers gedrückt.
- Um alle Verbindungen zu trennen und die Lautsprechergruppe zu verlassen, halten Sie die Plus-Taste am primären Lautsprecher gedrückt.

## BELEUCHTUNGSFUNKTION

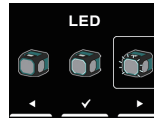
1. Schalten Sie den Lautsprecher mit der Betriebstaste ein.
2. Drücken Sie die Menü-Taste und anschließend die Taste Vorheriger Titel, um die Einstellungen aufzurufen.
3. Drücken Sie dann die Taste Nächster Titel oder Vorheriger Titel, um die gewünschte Beleuchtungsfunktion auszuwählen. Bestätigen Sie Ihre Auswahl mit der Taste Wiedergabe/Pause.



Wenn Sie diese Option wählen, ist die LED-Anzeige ausgeschaltet.



Wenn Sie diese Option wählen, leuchtet die LED-Anzeige stetig (Werkseinstellung).



Wenn Sie diese Option wählen, blinkt die LED-Anzeige im Rhythmus der Musik. Diese Funktion ist insbesondere bei Musik mit einem ausgeprägten Takt sehr effektiv.

**Hinweis:** Diese Funktion ist für Musik mit einem starken Rhythmus geeignet. Anderenfalls blinkt die LED-Anzeige nicht.

## EQUALIZER FUNCTION

1. Schalten Sie Ihren Lautsprecher mit der Betriebstaste ein.
2. Drücken Sie die Menü-Taste und dann die Taste Wiedergabe/Pause, um das EQ-Menü auszuwählen.
3. Verwenden Sie die Tasten Nächster Titel oder Vorheriger Titel, um den gewünschten Equalizer-Modus auszuwählen oder um die Equalizer-Einstellung selbst zu konfigurieren. Bestätigen Sie Ihre Einstellungen durch Drücken der Taste Wiedergabe/Pause. Folgende Equalizer-Modi sind verfügbar: „FLAT“, „JAZZ“, „ROCK“, „KLASSIK“, „POP“, „NACHRICHTEN“ und „Benutzer-EQ“.
4. Wenn Sie unter Schritt 3 die Option „Benutzer-EQ“ gewählt haben, verwenden Sie anschließend die Tasten Nächster Titel, Vorheriger Titel und Wiedergabe/Pause, um die Hoch-, Mitte- und Tieftöne einzustellen.

**Hinweis:** Wenn Sie die Lautstärke erhöhen, während der Bass mit einem Equalizer verstärkt wird, können knisternde Geräusche oder Störungen auftreten. Stellen Sie in solch einem Fall die Lautstärke entsprechend ein.

## MIKROFONANSCHLUSS

An der rechten Seite des Lautsprechers befindet sich eine 6,3mm Mikrofonbuchse für den Anschluss eines Mikrofons (nicht im Lieferumfang enthalten).

1. Schließen Sie ein Mikrofon an den Mikrofoneingang (MIC) an.
2. Schalten Sie Ihren Lautsprecher mit der Betriebstaste ein.
3. Schalten Sie das Mikrofon ein.



4. Stellen Sie mit den Lautstärketaste am Lautsprecher die Lautstärke entsprechend ein.

**Hinweis:**

Legen Sie das Mikrofon nicht direkt neben den Lautsprecher; anderenfalls könnten Rückkopplungsgeräusche entstehen und der Lautsprecher beschädigt werden.

### Lautstärke des Mikrofons einstellen

1. Schalten Sie den Lautsprecher mit der Betriebstaste ein.
2. Drücken Sie die Menü-Taste und dann die Taste Nächster Titel, um die Einstellungen aufzurufen.
3. Verwenden Sie die Tasten Nächster Titel oder Vorheriger Titel, um die Lautstärke für das Mikrofon auszuwählen. Bestätigen Sie Ihre Einstellung durch Drücken der Taste Wiedergabe/Pause.

## MUSIKWIEDERGABE VIA AUX-EINGANG

An der rechten Seite des Geräts befindet sich eine 3,5mm Aux-Eingangsbuchse für den Anschluss von Geräten mit einem Kopfhörerausgang oder Audioausgang, wie zum Beispiel MP3- oder CD-Player.

1. Schließen Sie ein Stereo- oder Mono-Audiogerät (z.B. MP3- oder CD-Player) an den Aux-Eingang („AUX IN“) an; der Lautsprecher deaktiviert automatisch den Bluetooth-Modus und aktiviert den Aux-Eingangsmodus.
2. Stellen Sie zunächst die Lautstärke am MP3- oder CD-Player ein, um ein adäquates Signal zu gewährleisten, und stellen Sie dann die Lautstärke am Lautsprecher für die Wiedergabe ein.

**Hinweis:**

Im AUX-Eingangsmodus wird empfohlen, am externen Audiogerät eine Lautstärkeeinstellung von zwei Dritteln oder höher einzustellen. Stellen Sie dann am Lautsprecher die Lautstärke entsprechend ein, um eine optimale Tonqualität zu erreichen. Falls am Audiogerät eine niedrigere Lautstärke eingestellt ist, kann es sein, dass die LED-Anzeige nicht blinkt.

Während der Wiedergabe im Aux-Eingangsmodus werden im Display keine Daten wie Titelname, Künstler, Album, usw. angezeigt.

## WARTUNG

**⚠ VORSICHT:**

- **Verwenden Sie niemals Kraftstoff, Benzin, Verdünnern, Alkohol oder ähnliches; dies könnte zu Verfärbungen, Verformungen oder Rissen führen.**
- **Reinigen Sie den Lautsprecher nicht mit Wasser.**

# TECHNISCHE DATEN

## Verstärker

Ausgangsleistung	14.4V: 15W 18V: 20W 36V: 20W
Frequenzbereich	50Hz~20kHz

## Aux-Eingang

Eingangsempfindlichkeit	300mVrms @100Hz
-------------------------	-----------------

## Lautsprecher

Hauptlautsprecher	140.8mm x 1 6ohm 25W
Tweeter-Lautsprecher	40mm x 1 6ohm 10W
Passives Element	100.7mm x 2

## Bluetooth®

(Die Bluetooth®-Wortmarke und die Bluetooth®-Logos sind eingetragene Marken von Bluetooth SIG, Inc.)

Bluetooth-Version	5.1 Zertifiziert
Bluetooth-Profil	A2DP/SCMS-T/AVRCP
Übertragungsleistung	Leistungsklasse 1
Übertragungreichweite	Optimum: Max.30 Meter (100 Fuß) Möglich: Max. 100 Meter (328 Fuß) (abhängig von den Gebrauchsbedingungen)
Unterstützter Codec	SBC, AAC, aptX™, aptX™ HD
Kompatibles Bluetooth-Profil	A2DP/AVRCP
Maximale Radiofrequenzleistung	BT EDR: 4.56dBm BT LE: 4.65dBm
Betriebsfrequenz	2402MHz~2480MHz

## USB-Ladeanschluss

Max. Leistung des USB-Ports	5V, 2.4A
-----------------------------	----------

## Allgemein

AC-Netzteil	DC-Eingang 18V 2A, mittlere positive Klemme
Batterie	Steckbatterie: 14.4V 18V 36V

Eingänge	3,5mm Durchmesser (AUX-Eingang) 6,3mm Durchmesser (MIKROFON)
Abmessungen (B x H x T)	236mm x 205mm x 243mm
Gewicht	3.8kg (ohne Batterie)

## Stromverbrauch

Ausgeschaltet	Dieses Gerät hat keinen Standby-Modus. Im ausgeschalteten Zustand ist der Stromverbrauch kleiner als 0,3W.
Bluetooth-Modus	Wenn im Bluetooth-Modus kein Signal übertragen wird, wird der Ruhemodus aktiviert. In diesem Modus beträgt der Stromverbrauch nach 15 Minuten weniger als 2W.
AUX-Modus	Wenn im AUX-Modus kein Signal übertragen wird, wird der Ruhemodus aktiviert. In diesem Modus beträgt der Stromverbrauch nach 15 Minuten weniger als 0,8W.

Wir behalten uns das Recht vor, die technischen Daten ohne Vorankündigung zu ändern.

# SLOVENSKO

## (Originalna navodila)



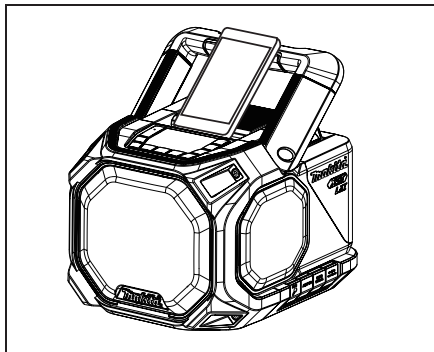
Samo za države EU  
Odpadna električna in elektronska oprema, akumulatorji in baterije lahko zaradi prisotnosti nevarnih sestavin v opremi negativno vplivajo na okolje in zdravje ljudi.

Električnih in elektronskih naprav ter baterij ne odlagajte skupaj z gospodinjstvi odpadki!  
V skladu z evropsko direktivo o odpadni električni in elektronski opremi ter o akumulatorjih in baterijah ter odpadnih akumulatorjih in baterijah ter njihovo prilagoditvijo nacionalni zakonodaji je potrebno odpadno električno opremo, baterije in akumulatorje hraniti ločeno in jih oddati na zbirnem mestu za komunalne odpadke, ki deluje v skladu s predpisi o varstvu okolja.

To je razvidno iz simbola prečrtanega zabojnika na kolesih, ki je nameščen na opremi.

## OBRAZLOŽITEV SPLOŠNEGA PREGLEDA (Slika 1)

1. Predalček za baterije
2. Ročaj
3. Pokrov prostora za baterije (pokriva baterijo)
4. Pasivni zvočnik
5. Vtičnica za enosmerni tok
6. Vtičnica USB za polnjenje
7. Pomožna vhodna vtičnica
8. Vtičnica za mikrofonski vnos
9. Lučka LED
10. Zvočnik
11. Vdolbina za namestitev pametnega telefona



12. LCD zaslon
13. Gumb za povečanje glasnosti
14. Gumb za zmanjšanje glasnosti
15. Gumb Plus (gumb za seznanjanje Plus)
16. Gumb za L/D
17. Gumb za naslednjo skladbo/hitro previjanje naprej
18. Gumb za predvajanje/zaustavitev
19. Gumb za prejšnjo skladbo/previjanje nazaj
20. Gumb menija
21. Gumb za seznanjanje z Bluetoothom
22. Gumb za vklop
23. Priključek baterije LXT
24. Priključek baterije XGT

## Simboli

Prikaz simbolov za uporabo te opreme. Bodite sigurni v njihov pomen pred uporabo.



Preberite uporabniška navodila.



## Qualcomm aptX HD

Qualcomm aptX je izdelek družbe Qualcomm Technologies, Inc. in/ali njenih podružnic. Qualcomm je blagovna znamka družbe Qualcomm Incorporated, registrirana v Združenih državah Amerike in drugih državah. aptX je blagovna znamka družbe Qualcomm Technologies International, Ltd., registrirana v Združenih državah Amerike in drugih državah.

## POMEMBNA VARNOSTNA NAVODILA

### ⚠ OPOZORILO:

Med uporabo električnih orodij, upoštevajte osnovna varnostna navodila, da zmanjšate nevarnost ognja, električnega šoka in telesne poškodbe, vključno z:

1. Pred uporabo preberite ta uporabniška navodila in navodila za polnjenje podrobno.
2. Čistite samo s suho krpo.
3. Ne nameščajte naprave blizu toplotnih virov, kot so radiatorji, grelna telesa, pečice, ali ostalih naprav (vključno z ojačevalniki) ki povzročajo vročino.
4. Uporabljajte samo dodatke/naprave, ki jih priporoča proizvajalec.
5. Izključite te naprave med nevihtami, ali ko jih ne uporabljate daljše obdobje.
6. Zvočnik z vgrajeno baterijo ali z zunanjo baterijo se lahko napajajo samo s polnilcem, predvidenim za napajanje teh baterij. Polnilce, ki je lahko primeren za napajanje ene baterije lahko predstavlja rizik ognja, ko se ga uporabi za napajanje druge baterije.

7. Zvočnik z vgrajeno baterijo uporabljajte skupaj s samo za to namenjenimi baterijami. Uporaba drugih baterij lahko povzroči nevarnost požara.
8. Ko baterijski paket ni v uporabi, ga hranite stran od ostalih železnih predmetov kot so: sponke, kovanci, ključi, žbljli in ostali manjši železni objekti, ki lahko naredijo povezavo od ene postaje do druge. Krajšanje razdalj med baterijami lahko povzroči iskre, opekline ali ogenj.
9. Izogibajte se telesnemu stiku z prizemljenimi površinami kot so pipe, radiatorji, hladilniki in podobno. Če je vaše telo prizemljeno lahko pride po povečanega električnega šoka.
10. V kolikor se baterijo izpostavlja zlonamerni uporabi, se lahko iz nje izloči tekočina; izogibajte se kontaktu. Če se kontakt zgodi ponesreči, splaknite z vodo. Če tekočina pride v stik z očmi, poiščite zdravniško pomoč. Tekočina, ki se izloči iz baterije lahko povroči iritacije ali opekline.
11. Ne uporabljajte baterij v baterijskih vložkov, ki so poškodovani ali spremenjeni. Poškodovane ali spremenjene baterije so nepredvidljive, lahko povzročijo požar, eksplozijo in druge nevarne situacije.
12. Baterij in baterijskih vložkov ne izpostavljajte požaru ali visokim temperaturam. Izpostavljenost požaru ali temperaturi nad 130°C (266°F) lahko povzroči eksplozijo.
13. Sledite navodilom in ne polnite baterij v temperaturnem prostoru, ki je nad opisanim v navodilih. Nepravilno polnjenje ali polnjenje pri temperaturah nad priporočenimi lahko poškoduje baterijo in poveča tveganje požara.
14. MAINS vtičnik se uporablja kot nepovazovana naprava in mora biti pripravljena na uporabo
15. Izdelka ne uporabljajte daljše neprekinjeno obdobje. Da bi se izognili poškodbam sluha, uporabljajte izdelek na zmerni glasnosti.
16. (Samo za izdelke z LCD prikazom) LCD zasloni vključujejo tekočino, ki lahko povzroči draženje in zastrupitev. Če tekočina pride v stik z v očmi, usti ali kožo, jo sperite z vodo in pokličite zdravnika.
17. Izdelka ne izpostavljajte dežju ali vlažnim pogojem. Voda, ki bo vstopila v izdelek, bo povečala tveganje električnega udara.
18. Ta izdelek ni namenjen uporabi osebam (vključno z otroki) z zmanjšanimi fizičnimi, senzoričnimi ali duševnimi zmožnostmi ali pomanjkanjem izkušenj in znanja. Razen če so pod nadzorom osebe, ki je odgovorna za njihovo varnost. Zagotoviti je potrebno, da se otroci s proizvodom ne igrajo. Izdelek shranjujte izven dosega otrok.
19. Zvočnika ne segrevajte in ne izpostavljajte ognju, ter ga ne puščajte na vročem mestu. Na primer v bližini

vira toplote, izpostavljenega neposredni sončni svetlobi ali v vozilu pod žgočim soncem. Takšno izpostavljanje lahko povzroči požar ali eksplozijo, ki vodi do telesnih poškodb.

20. Opremo postavite na ravno in plosko površino ali jo pritrdite na stabilno mesto. V nasprotnem primeru lahko pride do padca.

## SHRANITE TA NAVODILA

### POSEBNA VARNOSTNA NAVODILA UPORABA BATERIJSKE KARTUŠE

1. Pred uporabo baterijske kartuše, preberite vsa navodila in varnostne označbe na (1) baterijskem polnicu, (2) bateriji in (3) proizvodu ki uporablja baterijo.
2. Ne razstavljajte baterijske kartuše.
3. Če je čas uporabe zelo kratek, prenehajte z uporabo takoj. Lahko namreč pride do rizika pregretja, možnih opeklin in celo eksplozij.
4. Če elektrolit pride v stik z očmi, jih umijte s čisto vodo in takoj poiščite zdravniško pomoč. Lahko pride do poškodbe vida.
5. Ne krajšajte baterijske kartuše:
  - (1) Ne dotikajte se terminalov s kondukcijskim materialom.
  - (2) Izogibajte se shranjevanju baterijske kartuše v kontejnerju z ostalimi železnimi predmeti, kot so žbljli, kovanci, ipd.
  - (3) Ne izpostavljajte baterije vodi ali dežju. Skrajšana baterija lahko povzroči večji tok, pregrevanje, možne opekline ali celo uničenje baterije.
6. Orodja in baterije ne shranjujte in ne uporabljajte na mestih, kjer lahko temperatura doseže ali preseže 50°C.
7. Ne sezigajte baterijske kartuše, tudi če je močno poškodovana ali izrabljena. Baterijska kartuša lahko v ognju ekplodira.
8. Bodite previdni da baterija ne pade ali da ne pride do udarca vanjo.
9. Ne uporabljajte poškodovane baterije.
10. Da bi se izognili tveganju, pred uporabo preberite navodila za zamenjavo baterije.
11. Za litijeve ionske baterije velja zahtevana zakonodaja o nevarnih izdelkih. Za komercialni prevoz, npr. s strani tretjih oseb, špediterjev, je potrebno ohraniti posebne zahteve glede pakiranja in označevanja. Za pripravo na pošiljanje, je potrebno posvetovanje s strokovnjakom za nevaren material. Prosimo,

upoštevajte tudi morebitne podrobne nacionalne predpise.

Zalepite ali prekrijte odprte stike in baterijo zapakirajte tako, da se v embalaži ne more premikati.

12. Ko želite baterijsko kartušo odstraniti, jo odstranite iz naprave in jo odložite na varno mesto. Upoštevajte lokalne predpise v zvezi z odstranjevanjem baterij.
13. Baterije uporabljajte samo z izdelki, ki jih je odobrila družba Makita. Nameščanje baterij na izdelke, ki niso skladni, lahko povzroči požar, prekomerno segrevanje, eksplozijo ali pomanjkanje elektrolitov.
14. Če naprave ne uporabljate dlje časa, je treba odstraniti baterijo.
15. Ne dovolite, da bi se v priključke, luknje in odprtine baterije, zataknili drobcji, prah ali zemlja. To lahko povzroči slabše delovanje ali okvaro orodja ali baterije.
16. Baterijo hranite stran od dosega otrok.
17. Med in po uporabi se lahko baterijski vložek segreje, kar lahko povzroči opekline ali nizkotemperaturne opekline.
18. Ne dotikajte se priključka orodja takoj po uporabi, saj je lahko dovolj vroč, da povzroči opekline.
19. Če orodje ne omogoča uporabe v bližini visokonapetostnih električnih vodov, baterije ne uporabljajte v bližini visokonapetostnih električnih vodov. To lahko povzroči nepravilno delovanje ali okvaro orodja ali baterije.
20. Baterijo zaščitite pred naslednjimi razmerami:
  - zamenjava baterije z napačno vrsto, ki lahko onemogoči zaščito (na primer pri nekaterih vrstah litijevih baterij);
  - odlaganje baterije v ogenj ali vročo peč ali mehansko drobljenje ali rezanje baterije, kar lahko povzroči eksplozijo;
  - odlaganje baterije v okolju z izjemno visoko temperaturo, ki lahko povzroči eksplozijo ali uhajanje vnetljive tekočine ali plina; in
  - baterija, ki je izpostavljena izjemno nizkemu zračnemu tlaku, kar lahko povzroči eksplozijo ali uhajanje vnetljive tekočine ali plina.

**⚠ POZOR:**

- **Nevarnost eksplozije, če je baterija nepravilno zamenjana.**
- **Uporabljajte samo originalne baterije Makita. Uporaba ponarejenih baterij Makita ali baterij, ki so bile spremenjene, lahko povzročijo okvaro. Lahko pride do požarov, telesnih poškodb in materialne škode. Izgubili boste tudi garancijo za proizvod in polnilec Makita.**

## Nasveti za vzdrževanje maksimalnega življenja baterije

1. Baterijsko kartušo napolnite, preden pride do popolne izpraznitve. Vedno prenehajte z uporabo in napolnite baterijsko kartušo, ko opazite manjšo moč naprave.
2. Nikoli ne napajajte polno napolnjene baterije. Dodatno napajanje lahko skrajša življenjski rok baterije.
3. Baterijsko kartuško napajajte pri sobni temperaturi pri 10°C - 40°C (50°F - 104°F). Vročo baterijsko kartušo pred ponovnim napajanjem najprej ohladite.
4. Če baterijskega vložka ne uporabljate, ga odstranite iz orodja ali polnilnika.
5. Baterijsko kartušo napolnite če je ne uporabljate dlje časa (več kot šest mesecev).

# ČAS DELOVANJA

\* Primerne baterije za ta zvočnik so navedene v naslednji tabeli.

\* Spodnja tabela prikazuje čas za posamezno napajanje.

Baterijski vložek		Zmogljivost baterije	PRI IZHODU ZVOČNIKA = 100 mW Enota: Eura (približno)			
			Bluetooth		AUX IN	
			LED VKL.	LED IZK.	LED VKL.	LED IZK.
LXT (14.4V)	BL1415N	1.5 Ah	7.0	10	7.5	10
	BL1430B	3.0 Ah	12	16	12	17
	BL1440	4.0 Ah	19	25	20	27
	BL1460B	6.0 Ah	25	34	26	36
LXT (18V)	BL1815N	1.5 Ah	8.0	10	8.5	11
	BL1820B	2.0 Ah	11	14	11	15
	BL1830B	3.0 Ah	15	19	16	20
	BL1840B	4.0 Ah	22	28	22	29
	BL1850B	5.0 Ah	28	36	29	37
	BL1860B	6.0 Ah	34	43	35	45
XGT (36V - 40V max)	BL4020	2.0 Ah	19	23	19	24
	BL4025	2.5 Ah	24	30	25	31
	BL4040(F)	4.0 Ah	39	47	40	49

## ⚠ OPOZORILO:

Uporabljajte zgolj zgoraj naštetih baterije. Uporaba drugih baterijskih vložkov lahko povzroči poškodbe in/ali požar.

### Opomba:

- Tabela glede časa delovanja baterije je za referenco.
- Dejanski čas delovanja se lahko razlikuje glede na vrsto baterije, stanje polnjenja ali okolico uporabe.
- Nekateri zgoraj naštetih baterijski vložki in polnilci morda ne bodo na voljo glede na regijo, v kateri živite.

## NAMESTITEV IN NAPAJANJE

### ⚠ POZOR:

- Pazite, da ne boste priščipnili prstov, ko odpirate in zapirate pokrov baterije.
- Po namestitvi ali odstranitvi akumulatorske baterije nastavite predalček v prvotni položaj. V nasprotnem primeru lahko kartuša baterije pade iz zvočnika in tako poškoduje vas ali nekoga, ki se nahaja v bližini.
- Preden premaknete zvočnik, zaprite in zaklenite predalček za baterijo.
- Preden namestite ali odstranite baterijsko kartušo, vedno izklopite zvočnik.
- Pazite, da zvočnik ne pade ali ga udarite. Zlomljena lupina lahko ureže prst ali pa se zabode v telo. Poškodovani zvočnik lahko deluje nepredvidljivo, ki lahko povzroči požar, eksplozijo ali nevarnost poškodb.
- Ko nameščate ali odstranjujete baterijsko kartušo, trdno držite zvočnik in kartušo. Če zvočnika in kartuše ne boste trdno držali, lahko zdrsneta iz vaših rok. Tako lahko povzročite poškodbe zvočnika, kartuše, ali osebne poškodbe.

### VAŽNO:

- Zmanjšana moč, popačenje, "zatikanje zvoka" ali ikona nizke napetosti baterije na zaslonu so znaki, da je treba zamenjati glavno baterijo.
- Baterijske kartuše ni mogoče polniti prek priloženega napajalnika.
- Baterijska kartuša ni priložena kot standardna oprema.

## Nameščanje in odstranjevanje baterijske kartuše (slika 2-4)

- Za nameščanje baterijske kartuše, poravnajte jezik baterijske kartuše na baterijsko kartušo z za to namenjenim orodjem ter jo namestite v prostor. Vedno jo namestite do konca, dokler se ne zaskoči.
- Če na zgornji strani gumba vidite rdeč indikator, le ta ni popolnoma zaklenjen. Namestite ga do konca, da rdeči indikator ne bo viden. V nasprotnem primeru lahko pade iz zvočnika in poškoduje vas ali nekoga, ki se nahaja blizu.
- Ne uporabljajte sile ko nameščate baterijsko kartušo. Če kartuša ne zdrsne zlahka, pomeni da ni pravilno nameščena.
- Če želite odstraniti kartušo, pritisnite gumb na sprednji strani kartuše in jo potisnite iz zvočnika.
















## Ocenjevanje preostale kapacitete baterije (slika 5-6)

### Samo za baterijske vložke z indikatorjem

- 1. Indikatorji lučk      2. Gumb za preverjanje

Preverite gumb za preverjanje na kartuši baterije za indikacijo preostale kapacitete baterije. Lučka indikatorja bo zasvetila za nekaj sekund.

- **Baterijski vložek XGT/LXT**

Indikator lučk			Preostala kapaciteta
 Prižgano	 Izključeno	 Utripajoče	
			75% ~ 100%
			50% ~ 75%
			25% ~ 50%
			0% ~ 25%
			Napolnite baterijo
			Baterija morda ne deluje pravilno

### OPOMBA:

- Odvisno od pogojev uporabe in temperature okolju, lahko indikator prikazuje rahlo drugačen rezultat ko dejanska kapaciteta.
- Prva (skrajno leva) kontrolna lučka zasveti, ko sistem za zaščito baterije deluje.
- Ko je moč baterije nizka, jo zamenjajte.

## Uporaba AC napajalnega adapterja

Odstranite gumijasto zaščito in vtaknite adapter v DC režo na desni strani zvočnika. Vtaknite adapter v standardno električno vtičnico. Kadarkoli je adapter v uporabi, se baterijska kartuša avtomatično izklopi iz uporabe.

### ⚠ POZOR:

- **Preden premaknete zvočnika, vedno izključite napajalnik. Če napajalnik ni odstranjen, lahko to povzroči električni udar.**
- **Nikoli ne vlecite, ali povlecite kabla adapterja. V nasprotnem primeru lahko zvočnik po nesreči pade in povzroči poškodbe vam ali nekemu, ki se nahaja blizu vas.**

### POMEMBNO:

- Če želite odklopiti zvočnik, morate napajalnik popolnoma odstraniti iz omrežne vtičnice.
- Uporabljajte samo z napajalnikom, ki ste ga dobili z

- izdelkom ali ga je določilo podjetje Makita.
- Ne držite napajalnega kabla in ga vtikajte v usta. To lahko povzroči električni udar.
- Ne dotikajte se vtiča z mokrimi ali mastnimi rokami.
- Poškodovani ali zapleteni kabli povečujejo tveganje električnega udara. Če je kabel poškodovan, ga zamenjajte s pomočjo našega pooblaščenega servisa, da se izognete nevarnosti. Ne uporabljajte pred popravilom.
- Po uporabi vedno hranite omrežni napajalnik izven dosega otrok. Če se otroci igrajo z vrstico, lahko utrpijo poškodbe.

## USB napajalna reža

Reža se uporablja za polnjenje mobilna ali druge naprave, ki uporabljajo manj kot 2.4A DC toka. Polnjenje poteka samo ko je zvočnik prižgan.

**POZOR:** Prepričajte se, da so specifikacije vaše zunanje naprave, kot sta mobilni telefon ali predvajalnik, združljive z zvočnikom. Pred polnjenjem preberite navodila za uporabo zunanje naprave.

### POMEMBNO:

- Pred povezavo USB naprave in polnilca, vedno naredite varnostno kopijo podatkov na vaši USB napravi. Drugače se lahko podatki izgubijo.
- Napajanje ne duleje za nekatere USB naprave.
- Ko se ne uporablja, oziroma po končanem polnjenju, odstranite USB kabel in zaprite pokrov.
- Ne povežite napajalnih virov na USB port, ker obstaja nevarnost požara. USB port je namenjen samo polnjenju naprav z nizko napetostjo. Vedno pokrijte USB port, ko ne polnite naprave z nizko napetostjo.
- Ne vtikajte žebnja, žice in podobno v USB režo. Sicer lahko pride do stika, ki povzroči dim in ogenj.
- Ne povežite USB reže s PC USB režo, ker obstaja velika verjetnost da pride do okvare povezanih enot.

## POSLUŠAJTE GLASBO VIA BLUETOOTH STREAMING

Če želite preko zvočnika predvajati glasbo z povezavo Bluetooth, povežite napravo Bluetooth z zvočnikom in omogočite samodejno povezavo.

### Opomba:

Če želite boljšo kakovost zvoka, priporočamo, da v napravi Bluetooth nastavite glasnost na več kot dve tretjini, nato pa po potrebi nastavljate glasnost na zvočniku. Ta operacija velja le, če naprava Bluetooth nima nastavljene absolutne glasnosti.

## Prvo seznanjanje naprave z Bluetoothom

1. Pritisnite gumb za vklop, da vklopite zvočnik. Na

zaslonu se prikaže »seznanjanje«, ki kaže, da je zvočnik na voljo za povezavo.

2. V napravi vključite Bluetooth, kot je opisano v uporabniškem priložniku naprave za povezavo z zvočnikom. Poiščite seznam naprav Bluetooth in izberite napravo z imenom «MR014G» (pri nekaterih mobilnih napravah, ki so opremljene s starejšimi različicami od naprave Bluetooth BT2.1, boste morda morali vnesti geslo "0000").
3. Po povezavi boste slišali glasvo potrditvenega tona. Na zaslonu se prikaže "seznanjen". Sedaj lahko izberete in predvajate katero koli glasbo iz svoje izvorne naprave. Glasnost lahko nadzorujete iz vaše izvorne naprave ali neposredno na zvočniku.
4. Uporabite kontrole na vaši Bluetooth povezani napravi ali na zvočniku da igrate/predvajate in sortirate glasbo.

### Opomba:

- Če 2 Bluetooth napravi, ki se povežeta prvič, iščeta zvočnikom, se bo ta prikazala na obeh napravah. Kakorkoli, če se ena naprava poveže najprej, je potem druga naprava ne bo našla na seznamu.
- Če je vaša Bluetooth naprava začasno nepovezana z vašim zvočnikom, jo morate nato ponovno povezati z vašim zvočnikom.
- Če se "MR014G" prikaže v vaši Bluetooth napravi, pa se naprava ne more povezati z njo, prosimo izbrisati napravi s seznama in povežite zvočnik ponovno, kot to prikazujejo prejšnji koraki.
- Optimalno območje delovanja Bluetootha je približno 30 metrov (100 čevljev) (vidno polje) od zvočnika, vendar je možna razdalja delovanja do 100 metrov (328 čevljev).
- Če se izgubi povezava Bluetooth zaradi prekoračitve omejitve ločevanja, prekoračitve optimalne razdalje, ovir ali drugače, bo morda potrebna ponovna priključitev naprave na zvočnikom.
- Fizične ovire, druge brezžične naprave ali elektromagnetne naprave lahko vplivajo na kakovost povezave.
- Učinkovitost Bluetooth povezavo se lahko razlikuje, glede na povezane Bluetooth naprave. Prosimo pogledajte si Bluetooth kapacitete vaših naprav, pred povezavo z zvočnikom. Vse funkcije morda ne bodo delovale na nekaterih povezanih napravah.

## Predvajanje avdio datotek v Bluetooth načinu

Ko ste uspešno povezali zvočnik z izbrano Bluetooth napravo, lahko začnete predvajati glasbo z uporabo kontrole na vaši Bluetooth napravi.

1. Ko se predvajanje začne prilagodite glasnost na zelene nastavitve, z uporabo gumbov za glasnost na vašem zvočniku ali na vaši Bluetooth napravi.



- Uporabite kontrolnike na vaši napravi, ki ima vključen Bluetooth, za predvajanje/premor in krmarjenje po skladbah. Predvajanje skladb lahko kontrolirate lahko tudi s tipkami predvajanje/premor, naslednja in prejšnja skladba na zvočniku.
- Če se želite premikati po trenutni skladbi, pridržite gumb za hiter premik naprej ali nazaj. Gumb sprostite, ko dosežete zeleno točko.

#### Opomba:

- Lahko se zgodi, da vsi programi za predvajanje ali vse naprave ne delujejo s temi komandami.
- Nekateri mobilni telefoni lahko začasno prekinajo povezavo z zvočnikom, ko opravite ali prejmete klice. Nekatere naprave lahko začasno utišajo Bluetooth avdio streaming, ko prejmete tekst sporočilo, emaila ali podobno, nepovezano z avdio streamingom. Takšno delovanje je funkcija povezane naprave in ne prikazuje napake z vašim zvočnikom.
- Na zaslonu se pri predvajanju v načinu Bluetooth prikažejo informacije o skladbi, kot so naslov, izvajalec, album itd.

### Predvajanje predhodno seznanjene izvorne naprave z Bluetoothom

Zvočnik si lahko zapomni do 8 sklopov seznanjenih naprav za Bluetooth; ko pomnilnik preseže to količino, se v pomnilniku zvočnika prepíše najstarejša naprava, s katero je bil zvočnik seznanjen. Če je bila vaša izvorna naprava za povezavo Bluetooth že prej seznanjena z zvočnikom, bo zvočnik še vedno pomnil vašo napravo Bluetooth in se bo v 1 minuti poskušal ponovno povezati z zadnjo povezano napravo. Če zadnja povezana naprava ni na voljo, bo zvočnik mogoče odkriti.

### Prekinjanje povezave z napravo Bluetooth

Pritisnite in držite gumb za seznanjanje z Bluetoothom 2-3 sekunde, dokler se na zaslonu ne prikaže sporočilo »seznanjanje«, da tako prekinete povezavo z napravo preko Bluetootha ali izključite Bluetooth na svoji napravi, da tako onemogočite povezavo.

### Brisanje pomnilnika seznanjene naprave z Bluetoothom

Če želite izbrisati pomnilnik vseh seznanjenih naprav, pritisnite in držite gumb za seznanjanje Bluetooth več kot 7 sekund, dokler se na zaslonu ne prikaže napis "Reset".

## RESNIČNA BREŽIČNA STEREO (TWS) FUNKCIJA

Resnična brezžična stereo (TWS) funkcija omogoča, da se ena naprava brezžično poveže z drugo napravo. S

funkcijo TWS lahko zvočnik povežete z drugim MR014G in predvajate glasbo prek dveh zvočnikov.

### Nastavitev prvega zvočnika

- Prepričajte se, da je prvi zvočnik vključen v način Bluetooth, in se povežite z napravo Bluetooth.
- Pritisnite gumb Plus, na zaslonu se bo prikazal **[ST] · [MULTI]**, **[ST]** bo utripal na zaslonu. Pritisnite gumb Plus, da vstopite v način "ST Pair". Če 10 sekund ne pritisnete nobenega gumba, bo tudi zvočnik prešel v način "ST Pair". Na zaslonu bo prikazan napis "ST Pair".

### Nastavitev drugega zvočnika

- Prepričajte se, da je drugi zvočnik vključen v način Bluetooth in da ni povezan z napravo Bluetooth.
- Pritisnite gumb Plus, na zaslonu se prikaže **[ST] · [MULTI]**, **[ST]** bo utripal na zaslonu. Pritisnite gumb Plus, da vstopite v način "ST Pair". Če 10 sekund ne pritisnete nobenega gumba, bo tudi zvočnik prešel v način "ST Pair".

Ko so zvočniki uspešno povezani, se na obeh zaslonih hkrati prikaže **[L - [ST] - R]**.

**Opomba:** Drugi zvočnik nastavite v 1 minuti po nastavitvi prvega, sicer se nastavev prvega zvočnika prekliče.

### Začetek predvajanja

- Začnite predvajanje v povezani napravi Bluetooth in prilagodite glasnost v napravi Bluetooth ali enem od zvočnikov ter tako zagotovite prijetno poslušanje. **Opomba:** Nastavitve glasnosti ali izenačevalnika enega zvočnika se bodo odrazile na drugem zvočniku.
- Za predvajanje/začasno prekinitev in premikanje po skladbah uporabite upravljalnike na napravi z Bluetooth. Predvajanje lahko upravljate tudi z gumbi za predvajanje/začasno prekinitev, naslednjo in prejšnjo skladbo na obeh zvočnikih.
- Pritisnite in pridržite gumb za hitro previjanje naprej ali previjanje nazaj na obeh zvočnikih, da hitro previjate naprej ali nazaj med trenutno skladbo. Ko dosežete zeleno točko, gumb spustite.

### Preklop načina predvajanja zvoka

- S pomočjo dveh zvočnikov lahko preklapljate med **[L - [ST] - R]**, **[R - [ST] - R]** in načinom **[L - [ST] - L]**.
- Pritisnite gumb L/D na katerem koli od zvočnikov, če želite spremeniti način zvoka.
- [L - [ST] - R način:** Oba zvočnika igrata isti zvok. To je začetna nastavev.
- [R - [ST] - R in [L - [ST] - L mode:** Oba zvočnika igrata isti zvok. To je začetna nastavev.: Eden od zvočnikov predvaja zvok na desnem kanalu, drugi pa

na levem kanalu za stereo predvajanje med zvočniki.

## Izklop funkcije TWS

Pritisnite in držite gumb Plus, da izklopite funkcijo TWS.

# UŽIVAJTE V BREŽŽIČNEM PREDVAJANJU Z VEČIMI ZVOČNIK

Glasbo lahko uživate iz 10-ih združenih naprav hkrati, ki so združljive s to funkcijo.

## Nastavitev prvega zvočnika

1. Prepričajte se, da je prvi zvočnik vključen v način Bluetooth, in se povežite z napravo Bluetooth.
2. Pritisnite gumb Plus, na zaslonu se bo prikazal **[ST] • [MULTI]**.
3. Izberite **[MULTI]** s pritiskom na L/D gumb. **[MULTI]** bo utripal na zaslonu. Pritisnite gumb Plus, da vstopite v način "MULTI Pair". Če 10 sekund ne pritisnete nobenega gumba, bo tudi zvočnik vstopil v način "MULTI Pair". Na zaslonu se prikaže "MULTI Pair".

## Nastavitev drugega zvočnika

1. Prepričajte se, da je drugi zvočnik v načinu "seznanjanja" Bluetooth.
2. Pritisnite gumb Plus, na zaslonu se bo prikazal **[ST] • [MULTI]**.
3. Izberite **[MULTI]** s pritiskom na L/D gumb. **[MULTI]** bo utripal na zaslonu. Pritisnite gumb Plus, da vstopite v način "MULTI Pair". Če 10 sekund ne pritisnete nobenega gumba, bo tudi zvočnik vstopil v način "MULTI Pair". Ko sta zvočnika uspešno povezana, se na zaslonu prvega zvočnika prikaže napis "PARENT" (označuje glavni zvočnik), na zaslonu drugega zvočnika pa "CHILD" (označuje drugi zvočnik).

**Opomba:** Drugi zvočnik namestite v eni minuti po prvem. Ob dodajanju novega dodatnega zvočnika se 1 minuta ponovno izračuna.

## Dodajanje novih dodatnih zvočnikov

Če želite priključiti tretji zvočnik ali več novih zvočnikov, sledite naslednjim korakom:

1. Prepričajte se, da je novi zvočnik nastavljen v načinu Bluetooth "seznanjanje".
2. Pritisnite gumb Plus na glavnem zvočniku, na zaslonu se prikaže "MULTI ADD".
3. Pritisnite gumb Plus na novem zvočniku, na zaslonu se prikaže **[ST] • [MULTI]**.
4. Izberite **[MULTI]** s pritiskom na L/D gumb. **[MULTI]** bo utripal na zaslonu. Pritisnite gumb Plus, da vstopite v način "MULTI Pair". Če 10 sekund ne pritisnete nobenega gumba, bo tudi zvočnik vstopil v način

"MULTI Pair". Ko sta zvočnika uspešno povezana, se na novem zvočniku prikaže napis "CHILD" (označuje dodatni zvočnik).

## Začetek predvajanja

1. Začnite predvajanje v povezani napravi z Bluetoothom in za prijetno poslušanje prilagodite glasnost v napravi z Bluetoothom ali v zvočnikih. Iz vseh zvočnikov se predvaja ista glasba.  
**Opomba:** Z drugimi zvočniki bodo sinhronizirane samo nastavitve glasnosti ali izenačevalnika glavnega zvočnika. Za druge zvočnike nastavite glasnost ali izenačevanje vsakega zvočnika posebej.
2. Za predvajanje/začasno prekinitev in premikanje po skladbah uporabite upravljalnike v napravi Bluetooth. Predvajanje lahko upravljate tudi z gumbi za predvajanje/začasno prekinitev, naslednjo in prejšnjo skladbo na glavnem zvočniku.
3. Pritisnite in pridržite gumb za hitro previjanje naprej ali previjanje nazaj na glavnem zvočniku, da hitro previjate naprej ali nazaj med trenutno skladbo. Ko dosežete želeno točko, gumb spustite.

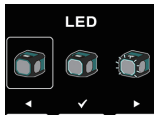
## Izključitev več zvočnikov

- Če želite odklopiti samo en dodaten zvočnik, pritisnite in pridržite gumb Plus dodatnega zvočnika, ki ga želite odklopiti.
- Če želite prekiniti vse povezave in prekiniti delovanje več zvočnikov, pritisnite in pridržite gumb Plus glavnega zvočnika.

## IZBOR FUNKCIJE OSVETLITVE

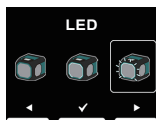
1. Za vklop zvočnika pritisnite gumb za vklop.
2. Pritisnite gumb menija, nato pa pritisnite gumb za prejšnjo skladbo, da vstopite v nastavitve.
3. Pritisnite gumb za naslednjo skladbo ali prejšnjo skladbo, da izberete želeno funkcijo osvetlitve. Nato pritisnite gumb za predvajanje/začasno ustavitev, da potrdite izbiro.

Izbira te možnosti pomeni, da bo lučka LED ugasnjena.



Izbira te možnosti pomeni, da lučka LED ostane neprekinjeno prižgana (privzeto).





Z izbiro te možnosti boste zagotovili, da bo lučka LED utripala v ritmu glasbe. To je bolj učinkovito pri glasbi z močnim ritmom.

**Opomba:** Ta funkcija je primerna za glasbo z močnim ritmom. V nasprotnem primeru lučka LED morda ne bo utripala.

## FUNKCIJA IZENAČEVALNIKA

1. Za vklop zvočnika pritisnite gumb za vklop.
2. Pritisnite gumb menija, nato pa pritisnite gumb za predvajanje/začasno ustavitev, da vstopite v meni za izbiro izenačevalnika.
3. Pritisnite gumb za naslednjo ali prejšnjo skladbo, da izberete želeni način izenačevalnika, ali pa konfigurirajte svoj način izenačevalnika. Nato pritisnite gumb za predvajanje/začasno ustavitev, da potrdite izbiro. Na voljo so naslednji načini izenačevalnika: "FLAT", "JAZZ", "ROCK", "CLASSIC", "POP", "NEWS" in "MY EQ".
4. Če je v koraku 3 izbrana možnost "MY EQ", z gumbi za naslednjo in prejšnjo skladbo ter gumbom za predvajanje/začasno ustavitev naknadno nastavite ravni visokih, srednjih in nizkih tonov.

**Opomba:** Če povečate glasnost in z izenačevalnikom poudarite nizke tone, lahko pride do prasketanja ali popačenja. V tem primeru prilagodite glasnost.

## VTIČNICA ZA MIKROFON

Na desni strani zvočnika je na voljo 6,3-milimetrska vtičnica za priključitev mikrofona (ni priložen).

1. Priključite mikrofona v vtičnico za mikrofona (MIC).
2. Za vklop zvočnika pritisnite gumb za vklop.
3. Vključite mikrofona.
4. Po potrebi pritisnite gumb za povečanje/zmanjšanje glasnosti na zvočniku, da nastavite želeno raven.

### **Opomba:**

Mikrofona ne postavljajte proti zvočniku, saj lahko povzroči povratni odmev in poškoduje zvočnik.

## Nastavitev glasnosti mikrofona

1. Za vklop zvočnika pritisnite gumb za vklop.
2. Pritisnite gumb menija, nato pa pritisnite gumb za naslednjo skladbo, da vstopite v nastavitve.
3. Pritisnite gumb za naslednjo ali prejšnjo skladbo, da izberete želeno raven glasnosti mikrofona. Nato pritisnite gumb za predvajanje/začasno ustavitev, da potrdite izbiro.

## PREDVAJANJE GLASBE PREK POMOŽNE VHODNE VTIČNICE

Na desni strani enote je na voljo 3,5mm pomožna vhodna vtičnica za zvočni signal iz katere koli naprave, ki ima izhod za slušalke ali zvočni izhod, na primer MP3 ali CD-predvajalnik.

1. Priključite stereo ali mono zvočni vir (na primer MP3 ali CD predvajalnik) v vtičnico za pomožni vhod (označeno z oznako "AUX IN"), zvočnik bo prešel iz Bluetooth v pomožni vhodni način.
2. Za udobno poslušanje prilagodite glasnost na MP3 ali CD predvajalniku, da zagotovite ustrezen signal.

### **Opomba:**

V načinu AUX IN je priporočljivo nastaviti glasnost zunanje zvočne naprave na dve tretjini ali več. Nato po potrebi prilagodite glasnost zvočnika, da dosežete optimalno kakovost zvoka. Če je glasnost zvočne naprave nastavljena na manj kot dve tretjini, se lahko zgodi, da lučka LED ne bo utripala.

Ko predvajate prek pomožne vhodne vtičnice, se na zaslonu ne prikažejo informacije, kot so naslov, izvajalec, album itd.

## VZDRŽEVANJE

### **⚠️ POZOR:**

- Nikoli ne uporabljajte bencina, benzena, alkohola in podobno, ker lahko pride do razbarvanja, ali se pojavijo razpoke na napravi.
- Zvočnika ne umivajte z vodo.

# SPECIFIKACIJE

Ojačevalnika	
Izhodna moč	14.4V: 15W 18V: 20W 36V: 20W
Frekvenca odziva	50Hz~20kHz
Aux In	
Vhodna senzitivnost	300mVrms @100Hz
Zvočnik	
Glavni zvočnik	140.8mm x 1 6ohm 25W
Stranski zvočnik	40mm x 1 6ohm 10W
Pasivni radiator	100.7mm x 2

Bluetooth® (Besedna znamka Bluetooth® in logotipi so registrirane blagovne znamke v lasti družbe Bluetooth SIG, Inc.)	
Bluetooth verzija	5.1 Certificirana
Bluetooth profila	A2DP/SCMS-T/AVRCP
Moč oddajanja	Moč 1 razreda
Oddaljenost oddajanja	Optimalno: Največ 30 metrov (100 čevljev) Možno: Največ 100 metrov (328 čevljev) (odvisno od pogojev uporabe)
Podprti kodeki	SBC, AAC, aptX™, aptX™ HD
Kompatibilnost Bluetooth profila	A2DP/AVRCP
Največja zvočnika frekvenca	BT EDR: 4.56dBm BT LE: 4.65dBm
Frekvenca delovanja	2402MHz~2480MHz

USB polnilni priključek	
Največja napajalna moč vtičnice USB	5V, 2.4A

Splošno	
AC Napajalnik	DC in 18V 2A, center pin positive
Baterija	Drsna baterija: 14.4V 18V 36V

Vhodni priključek	dia. 3,5mm (AUX IN) dia. 6,3mm (MIKROFON)
Dimenzije (W x H x D)	236mm x 205mm x 243mm
Teža	3.8KG (brez baterije)

Informacije o porabi energije	
Izklopljeni način	Ta naprava nima načina pripravljenosti, njena poraba energije v izklopljenem načinu pa je manjša od 0,3W.
Način Bluetooth	Ko v načinu Bluetooth ni izhodnega signala, je poraba energije v stanju mirovanja po 15 minutah manjša od 2W.
Način AUX	Ko v načinu AUX ni izhodnega signala, je poraba energije v stanju mirovanja po 15 minutah manjša od 0,8W.

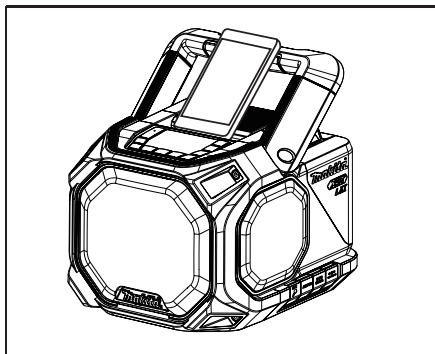
Podjetje si pridržuje pravico do spremembe specifikacij brez opombe.

## SHQIP

### (Udhëzimet origjinale)

## SHPJEGIM I PAMJES SË PËRGGJITHSHME (Fig. 1)

1. Bllokuesi i folesë së baterisë
2. Doreza
3. Kapaku i folesë së baterisë (që mbulon kutinë e baterisë)
4. Altoparlant pasiv
5. Foleja "DC in"
6. Foleja e karikimit me USB
7. Foleja e hyrjes dytësore
8. Foleja e mikrofonit
9. Drita LED
10. Altoparlanti
11. Kanali për vendosjen e një smartfoni



12. Ekran LCD
13. Butoni i volumit lart
14. Butoni i volumit poshtë
15. Butoni plus (butoni Plus i çiftimit)
16. Butoni L/R
17. Butoni i Këngës tjetër/Përsheptimit përpara
18. Butoni i luajtjes/pauzës
19. Butoni i Këngës së mëparshme/Përsheptimit prapa
20. Butoni i Menysë
21. Butoni i çiftimit të Bluetooth-it
22. Butoni i ndezjes
23. Terminali i baterisë LXT
24. Terminali i baterisë XGT

## SIMBOLET

Pjesët në vazhdim tregojnë simbolet e përdorura për pajisjen. Sigurohuni që merrni vesh kuptimin e tyre përpara përdorimit.



Lexoni manualin e përdorimit.



Vetëm për shtetet e BE-së.

Për shkak të pranisë së komponentëve të rrezikshëm në pajisje, mbetjet e pajisjeve elektronike dhe elektrike, akumulatorët dhe bateritë, mund të kenë ndikim negativ në mjedis dhe në shëndetin e njerëzve.

Mos i hidhni pajisjet elektrike dhe elektronike ose bateritë me mbetjet shtëpiake!

Në përputhje me Direktivën Evropiane për mbetjet e pajisjeve elektrike dhe elektronike, akumulatorët dhe bateritë, dhe mbetjet e akumulatorëve dhe baterive, si dhe përfshirjen e saj në ligjin kombëtar, mbetjet e pajisjeve elektrike dhe elektronike, akumulatorëve dhe baterive, duhet të mbahen veçmas dhe të dorëzohen në një pikë grumbullimi të veçantë për mbetjet komunale, duke vepruar në përputhje me rregulloret e mbrojtjes së mjedisit.

Kjo tregohet nga simboli i koshit të mbeturinave me kryq, të vendosur mbi pajisje.



### Qualcomm® aptX™ HD

Qualcomm aptX është produkt i Qualcomm Technologies, Inc. dhe/ose filialeve të tij. Qualcomm është markë tregtare e Qualcomm Incorporated, e regjistruar në Shtetet e Bashkuara dhe në vende të tjera. aptX është markë tregtare e Qualcomm Technologies International, Ltd., e regjistruar në Shtetet e Bashkuara dhe në vende të tjera.

## UDHËZIME TË RËNDËSISHME TË SIGURISË

### ⚠️ PARALAJMËRIM:

Gjatë përdorimit të veglave elektrike, duhet të ndiqen gjithmonë masat parandaluese të sigurisë për të pakësuar rrezikun e zjarrit, goditjes elektrike dhe lëndimit personal, duke përfshirë si vijon:

1. Lexoni me kujdes këtë manual përdorimi dhe manualin e përdorimit të karikuesit përpara përdorimit.
2. Pastrojeni vetëm me pëlthurë të thatë.
3. Mos e instaloni pranë burimeve të nxehtësisë si radiatorët, regjistruarit e nxehtësisë, sobat apo aparatura të tjera (duke përfshirë amplifikatorët) që prodhojnë nxehtësi.
4. Përdorni vetëm aksesorët e specifikuar nga

- prodhuesi.
5. Shkëputeni këtë aparat urë gjatë stuhive me rrufe ose kur nuk përdoret për një kohë të gjatë.
  6. Altoparlanti me bateri, me bateri integrale ose paketë baterie të veçantë, duhet të rikarikohej vetëm me karikuesin e specifikuar për baterinë. Karikuesit e përshtatshëm për një lloj baterie mund të paraqesin rrezik zjarri kur përdoren me një bateri tjetër.
  7. Përdoreni altoparlantin me bateri vetëm me bateri të projektuara posaçërisht. Përdorimi i baterive të tjera mund të paraqesë rrezik zjarri.
  8. Kur paketa e baterisë nuk përdoret, mbajeni larg nga objektet e tjera metalike, si kapëset e letrave, monedhat, çelësat, gozhdët, vidat ose objektet e tjera metalike të vogla që mund të bëjnë lidhje nga njëri terminal tek tjetri. Krijimi i lidhjes së shkurtër ndërmjet terminalëve të baterisë mund të shkaktojë shkëndija, djegie ose zjarr.
  9. Shmangni kontaktin e trupit me sipërfaqe të tokëzuara siç janë tubat, radiatorët, sobat dhe frigoriferët. Ka rrezik më të madh goditjeje elektrike nëse trupi juaj tokëzohet.
  10. Në kushte sforcimi mund të dalë lëng nga bateria; shmangni kontaktin. Nëse aksidentalisht ndodh kontakt, shpëlani me ujë vendin e kontaktit. Nëse lëngu bie në kontakt me sytë, kërkoni edhe ndihmën e mjekut. Lëngu i dalë nga bateria mund të shkaktojë acarim ose djegie.
  11. Mos e përdorni një kuti baterie apo vegël që është e dëmtuar ose e modifikuar. Bateritë e dëmtuara ose të modifikuara mund të shfaqin sjellje të paparashikueshme që rezultojnë në zjarr, shpërthime apo rrezik plagosjeje.
  12. Mos e ekspozoni kutinë e baterisë ose veglën në zjarr ose ndaj temperaturave ekstreme. Ekspozimi ndaj zjarrit ose temperaturave mbi 130°C (266°F) mund të shkaktojë shpërthim.
  13. Ndriqni të gjitha udhëzimet e karikimit dhe mos e karikoni kutinë e baterisë ose veglën jashtë kufijve të temperaturës të specifikuar të udhëzimit. Karikimi i pasaktë ose në temperatura jashtë kufijve të specifikuar mund të dëmtojë baterinë dhe të rrisë rrezikun e zjarrit.
  14. Priza e RRYMËS KRYESORE përdoret si pajisja shkëputëse dhe duhet të qëndrojë e gatshme për përdorim
  15. Mos e përdorni produktin me volum të lartë për një periudhë të gjatë kohe. Për të shmangur dëmtimin e dëgjimit, përdoreni produktin me nivel volumi mesatar.
  16. (Vetëm për produktet me ekran LCD) Ekranet LCD përbajnë lëngje që mund të shkaktojnë iritrim dhe helmim. Nëse lëngu ju bie në sy, shpëlajeni me ujë dhe telefononi mjekun.
  17. Mos e ekspozoni produktin ndaj shiut ose kushteve me lagështirë. Uji që hyn në produkt mund të rrisë rrezikun e goditjeve elektrike.
  18. Ky produkt nuk është prodhuar për t'u përdorur nga persona (duke përfshirë fëmijët) me aftësi të kufizuara fizike, ndjore ose mendore, ose të cilëve u mungon përvoja dhe njohuria, nëse nuk janë nën mbikëqyrje ose udhëzuar për përdorimin e këtij produkti nga një person përgjegjës për sigurinë e tyre. Fëmijët duhet të mbikëqyren për t'u siguruar se nuk luajnë me produktin. Ruajeni produktin larg fëmijëve.
  19. Mos e nxehti ose ekspozoni altoparlantin ndaj zjarrit ose mos e lini atë në një vend të nxehtë si p.sh. pranë një burimi nxehtësie, të ekspozuar ndaj dritës së drejtpërdrejtë të diellit ose brenda një automjeti nën diellin përvëlues. Duke vepruar kështu mund të shkaktohet zjarr ose shpërthim dhe mund të rezultojë në lëndim personal.
  20. Vendoseni pajisjen në një vend të niveluar, të sheshtë ose sigurojeni pajisjen në një vend të qëndrueshëm. Në të kundërt, mund të rrëzohet aksidentalisht.

## RUAJINI KËTO UDHËZIME

### RREGULLA SPECIFIKE SIGURIE PËR PAKETËN E BATERISË

1. Përpara se ta përdorni paketën e baterisë, lexoni të gjitha udhëzimet dhe shënimet e masave parandaluese të (1) karikuesit të baterisë, (2) baterisë dhe (3) produktit që përdor baterinë.
2. Mos e hiqni paketën e baterisë.
3. Nëse koha e përdorimit është shkurtuar jashtë mase, ndalojeni punën menjëherë. Kjo mund të rezultojë në rrezik mbinxehjeje, djegie të mundshme, madje edhe shpërthim.
4. Nëse ju futen elektrolitë në sy, shpëlajeni sytë me ujë të pastër dhe kërkoni ndihmë mjekësore menjëherë. Kjo gjë mund të rezultojë në humbje të shikimit.
5. Mos bëni lidhje të shkurtrë me paketën e baterisë:
  - (1) Mos i prekni terminalët me materiale përcjellëse.
  - (2) Shmangni ruajtjen e paketës së baterisë në një kuti me objekte të tjera metalike, si gozhdë, monedha etj.
  - (3) Mos e ekspozoni paketën e baterisë në ujë ose shi. Qarku i shkurtrë i baterisë mund të shkaktojë qarkullim të madh të rrymës elektrike, mbinxehje, djegie të mundshme dhe madje prishje.
6. Mos e ruani dhe mos e përdorni pajisjen dhe kutinë

e baterisë në vende ku temperatura mund të arrijë ose tejkalojë 50°C (122°F).

7. Mos e digjini paketën e baterisë, edhe nëse është shumë e dëmtuar ose është konsumuar plotësisht. Paketa e baterisë mund të shpërthejë në zjarr.
8. Bëni kujdes që të mos e rrëzoni ose ta godisni baterinë.
9. Mos përdorni bateri të dëmtuar.
10. Për së shmangur rrezikun, duhet të lexohet përpara përdorimit manuali i baterisë zëvendësuese.
11. Bateritë e përfshira të litiumit, iu nënshtrohen kërkesave të legjisllacionit për mallrat e rrezikshme. Për transport tregtar p.sh. nga palë të treta, agjentët të ndërmjetëm, duhet të ndiqen kërkesa specifike mbi paketimin dhe etiketimin.  
Për përgatitjen e artikullit për transport, është i nevojshëm konsultimi i një eksperti për materiale të rrezikshme. Ju lutemi, ndiqni gjithashtu rregulloret me gjasë më të detajuara vendore.  
Mbuloni me ngjitëse ose maskoni kontaktet e zhveshura dhe paketojeni baterinë në mënyrë të fill që të mos lëvizë në paketim.
12. Kur hidhni kutinë e baterisë, hiqeni atë nga vegla dhe hidhni në një vend të sigurt. Zbatoni rregulloret lokale rreth asgjësimit të baterisë.
13. Përdorni bateritë vetëm me produktet e specifikuar nga Makita. Instalimi i baterive në produkte të papajtueshme mund të rezultojë në zjarr, nxehtësi të lartë, shpërthim ose rrjedhje të elektroliteve.
14. Nëse vegla nuk është përdorur për një kohë të gjatë, bateria duhet të hiqet nga vegla.
15. Mos lejoni që grumbullimin e ashklave, pluhurave ose papastërtive në terminalët, vrimat ose kanalet e kutisë së baterisë. Kjo mund të shkaktojë rendiment të ulët ose dëmtim të veglës ose të kutisë së baterisë.
16. Mbajeni baterinë larg fëmijëve.
17. Gjatë dhe pas përdorimit, kutia e baterisë mund të nxehet, gjë që mund të shkaktojë djegie ose djegie me temperaturë të ulët.
18. Mos prekni terminalin e veglës menjëherë pas përdorimit pasi mund të nxehet aq shumë sa të shkaktojë djegie.
19. Përveç kur vegla e mbështet përdorimin pranë linjave elektrike të tensionit të lartë, mos e përdorni kutinë e baterisë pranë linjave elektrike të tensionit të lartë. Kjo mund të shkaktojë një defekt ose dëmtim të veglës ose të kutisë së baterisë.
20. Mbrojeni baterinë nga kushtet e mëposhtme:
  - zëvendësimi i një baterie me një lloj të gabuar që mund të shkatërrojë një mbrojtje (për shembull, në rastin e disa llojeve të baterive litium);
  - hedhja e një baterie në zjarr ose në furrë të nxehtë, ose shtypja apo prerja mekanike e një

baterie, që mund të rezultojë në shpërthim;

- lënia e një baterie në një mjedis rrethues me temperaturë jashtëzakonisht të lartë që mund të rezultojë në shpërthim ose rrjedhje të lëngjeve apo gazeve të ndezshme; dhe
- një bateri e lënë në mjedis rrethues me presion ajri jashtëzakonisht të ulët që mund të rezultojë në shpërthim ose rrjedhje të lëngjeve apo gazeve të ndezshme.

#### **⚠ KUJDES:**

- **Rrezik shpërthimi nëse bateria zëvendësohet në mënyrë të pasaktë.**
- **Përdorni vetëm bateri origjinale Makita. Përdorimi i baterive jo-origjinale Makita ose baterive që mund të jenë modifikuar, mund të rezultojë në marrjen flakë të baterisë, lëndime personale apo dëmtime. Kjo do të anulojë gjithashtu edhe garancinë e Makita-s për veglën e Makita dhe karikuesin.**

## **Këshilla për të ruajtur jetëgjatësinë maksimale të baterisë**

1. Karikojeni baterinë përpara se të shkarkohet plotësisht. Gjithmonë ndaloni punën me pajisjen dhe karikojeni baterinë kur vëreni ulje të fuqisë së pajisjes.
2. Asnjëherë mos e rikarikoni baterinë të karikuar plotësisht. Karikimi i tepërt shkurton jetëgjatësinë e baterisë.
3. Karikojeni baterinë në temperaturën e dhomës në 10°C - 40°C (50°F - 104°F). Lëreni paketën e nxehtë të baterisë të ftohet përpara se ta rikarikoni atë.
4. Kur nuk e përdorni kutinë e baterisë, hiqeni atë nga vegla ose karikuesi.
5. Karikojeni baterinë nëse nuk e përdorni për një kohë të gjatë (mbi gjashtë muaj).

# KOHA E PËRDORIMIT

\* Paketat e baterisë të përshtatshme për këtë altoparlant janë të listuara si në tabelën vijuese.

\* Tabela e mëposhtme tregon kohën e përdorimit me një karikim të vetëm.

Kutia e baterisë		Kapaciteti i baterisë	NË DALJEN NGA ALTOPARLANTI = 100 mW Njësia: Orë (afërsisht)			
			Bluetooth		AUX IN	
			LED NDEZUR	LED FIKUR	LED NDEZUR	LED FIKUR
LXT (14.4V)	BL1415N	1.5 Ah	7.0	10	7.5	10
	BL1430B	3.0 Ah	12	16	12	17
	BL1440	4.0 Ah	19	25	20	27
	BL1460B	6.0 Ah	25	34	26	36
LXT (18V)	BL1815N	1.5 Ah	8.0	10	8.5	11
	BL1820B	2.0 Ah	11	14	11	15
	BL1830B	3.0 Ah	15	19	16	20
	BL1840B	4.0 Ah	22	28	22	29
	BL1850B	5.0 Ah	28	36	29	37
	BL1860B	6.0 Ah	34	43	35	45
XGT (36V - 40V maks.)	BL4020	2.0 Ah	19	23	19	24
	BL4025	2.5 Ah	24	30	25	31
	BL4040(F)	4.0 Ah	39	47	40	49

## PARALAJMËRIM:

Përdorni vetëm kutitë e baterisë të listuara më lart. Përdorimi i kutive të tjera të baterisë mund të shkaktojë lëndim dhe/ose zjarr.

### Shënim:

- Tabela në lidhje me kohën e funksionimit të baterisë më lart jepet për referencë.
- Koha aktuale e funksionimit mund të ndryshojë me llojin e baterisë, gjendjen e karikimit ose mjedisin e përdorimit.
- Disa prej kutive të baterive dhe karikuesve të renditura më lart mund të mos jenë të disponueshme në varësi të zonës ku ju banoni.



# INSTALIMI DHE FURNIZIMI ME ENERGJI

## ⚠️ KUJDES:

- Bëni kujdes që të mos zini gishtat kur të hapni dhe mbyllni kapakun e baterisë.
- Kthejeni bllokuesin e folesë së baterisë në pozicion fillestar, pasi të instaloni ose të hiqni kutinë e baterisë. Në të kundërt, kutia e baterisë mund të bjerë aksidentalisht nga altoparlanti, duke ju lënduar juve ose personin pranë jush.
- Gjithmonë mbylleni dhe kyçeni bllokuesin e folesë së baterisë përpara se të lëvizni altoparlantin.
- Fikeni gjithmonë altoparlantin përpara se të instaloni ose të hiqni kutinë e baterisë.
- Bëni kujdes që të mos e rrëzoni ose ta godisni altoparlantin. Kutia e thyer mund t'ju presë gishtin ose t'ju ngulet në trup. Altoparlanti i dëmtuar mund të shfaqë sjellje të paparashikueshme që rezultojnë në zjarr, shpërthime apo rrezik plagosjeje.
- Mbajeni fort altoparlantin dhe kutinë e baterisë kur montoni ose hiqni kutinë e baterisë. Mosmbajtja fort e altoparlantit dhe e kutisë së baterisë mund të bëjë që t'ju rrëshqasin nga duart dhe të shkaktohet dëmtim i altoparlantit dhe i kutisë së baterisë, si dhe lëndim i personit.

## E RËNDËSISHME:

- Fuqia e reduktuar, distorsioni, "tingulli belbëzues" ose "niveli i ulët i baterisë" që shfaqen në ekran janë të gjitha shenja se paketa e baterisë kryesore duhet të ndërrohet.
- Kutia e baterisë nuk mund të karikohet përmes përshtatësit të rrymës AC që keni marrë.
- Kutia e baterisë nuk është përfshirë si aksesori standard.

## Montimi ose heqja e paketës me rrëshqitje të baterisë (fig. 2-4)

- Për të vendosur kutinë e baterisë, bashkërenditni gjuhëzën e kutisë së baterisë me kanalën e folesë dhe rrëshqiteni për ta futur. Futeni gjithmonë deri në fund, derisa të bllokohet në vend me një zhurmë kërcitëse.
- Nëse shikoni treguesin e kuq në anën e sipërme të butonit, ajo nuk është e bllokuar plotësisht. Instalojeni plotësisht derisa treguesi i kuq të mos shihet. Në të kundërt, ajo mund të bjerë aksidentalisht nga altoparlanti duke ju lënduar juve ose personin pranë jush.
- Mos përdorni forcë gjatë instalimit të paketës së baterisë. Nëse paketa nuk hyn lehtë, nuk po e futni siç duhet.
- Për të hequr kutinë e baterisë, rrëshqiteni atë nga altoparlanti ndërsa shtypni butonin në pjesën e

përparme të paketës së baterisë.









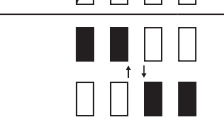
## Treguesi i kapacitetit të mbetur të baterive (fig. 5-6)

### Vetëm për kuti baterie me llambë

#### ➤ 1. Llambat treguese 2. Butoni i kontrollit

Shtypni butonin e kontrollit në kutinë e baterisë për të treguar kapacitetin e mbetur të baterisë. Llambat treguese ndizen për pak sekonda

- Kutia e baterisë XGT/LXT

Llambat treguese			Kapaciteti i mbetur i baterisë
 E ndezur	 E fikur	 Pulsuese	
			75% ~ 100%
			50% ~ 75%
			25% ~ 50%
			0% ~ 25%
			Karikojeni baterinë
			Bateria mund të ketë keqfunksionuar.

## SHËNIM:

- Në varësi të kushteve të përdorimit dhe të temperaturës së ambientit, treguesi mund të ndryshojë paksa nga kapaciteti aktual.
- Llamba e parë e treguesit (në fund majtas) do të pulsojë kur sistemi i mbrojtjes së baterisë është në punë.
- Kur energjia e baterisë është e ulët, ju lutemi ndërroni baterinë.

## Përdorimi i përshtatësit të dhënë të rrymës AC

Hiqni mbrojtësen prej gome dhe futeni fishën e përshtatësit në folenë DC në anën e djathtë të altoparlantit. Futeni përshtatësin në një dalje standarde prize. Sa herë që përdoret përshtatësi, paketa e baterisë shkëputet automatikisht.

## ⚠️ KUJDES:

- Gjithmonë shkëputeni plotësisht përshtatësin e rrymës përpara se të lëvizni altoparlantin. Nëse përshtatësi AC nuk është hequr, mund të shkaktojë goditje elektrike.
- Asnjëherë mos tërhiqni dhe/ose zvarrisni kordonin e përshtatësit. Në të kundërt, altoparlanti mund të bjerë aksidentalisht, duke ju

## **lënduar juve ose personin pranë jush.**

### **E RËNDËSISHME:**

- Për ta shkëputur altoparlantin, përshtatësi i rrymës duhet të hiqet krejtësisht nga priza e rrjetit.
- Përdorini vetëm përshtatësin e rrymës AC që keni marrë me produktin ose të specifikuar nga Makita.
- Mos e mbani kabllon e furnizimit me energji dhe spinën me gojë. Duke vepruar kështu mund të shkaktoni goditje elektrike.
- Mos e prekni prizën e rrymës me duar të lagura ose me yndyrë.
- Kordonët e dëmtuar ose të ngatërruar shtojnë rrezikun e goditjes elektrike. Nëse kordoni është i dëmtuar, kërkoni që ta zëvendësojë atë qendra jonë e autorizuar e shërbimit për të shmangur ndonjë rrezik ndaj sigurisë. Mos e përdorni atë para riparimit.
- Pas përdorimit, gjithmonë ruajeni përshtatësin e rrymës AC në një vend ku nuk arrihet nga fëmijët. Nëse fëmijët luajnë me kordonin, ata mund të lëndohen.

### **Foleja USB e furnizimit me energji**

Kjo fole mund të përdoret për të karikuar një telefon celular ose ndonjë pajisje tjetër që përdor më pak se 2,4A rrymë DC. Karikimi do të ndodhë vetëm kur altoparlanti është i ndezur.

**Shënim:** Sigurohuni që specifikimi i pajisjes së jashtme si p.sh. celular ose lexues të jetë i përputhshëm me altoparlantin. Lexoni manualin e përdorimit të pajisjes së jashtme përpara karikimit.

### **E RËNDËSISHME:**

- Përpara se të lidhni pajisjen USB me karikuesin, gjithmonë rezervoni të dhënat tuaja në pajisjen USB. Ndryshe, të dhënat ka mundësi të humbasin.
- Karikuesi mund të mos i furnizojë me rrymë disa pajisje USB.
- Kur nuk e përdorni apo pas karikimit, hiqeni kabllon e USB-së dhe mbyllni kapakun.
- Mos e lidhni burimin e rrymës me portën e USB-së. Ndryshe, ka rrezik zjarri. Porta e USB-së është prodhuar për t'u përdorur vetëm për karikimin e pajisjeve me tension të ulët. Gjithmonë vendoseni kapakun në portën e USB-së kur nuk karikoni pajisje me tension të ulët.
- Mos fusni brenda portës së furnizimit të USB-së me energji gozhdë, tela, etj. Ndryshe, qarku i shkurtër mund të shkaktojë tym dhe zjarr.
- Mos e lidhni këtë fole USB-je me portën e USB-së në kompjuter, sepse ka shumë të ngjarë të shkaktojë prishje të njësive.

## **DËGJIMI I MUZIKËS PËRMES TRANSMETIMIT ME BLUETOOTH**

Për të luajtur/transmetuar muzikë me Bluetooth përmes altoparlantit, çiftoni pajisjen tuaj Bluetooth me altoparlantin për të aktivizuar lidhjen automatike.

### **Shënim:**

Për të pasur cilësi më të mirë zëri, rekomandojmë vendosjen e volumnit në më shumë se dy të tretat e volumnit në pajisjen tuaj Bluetooth dhe më pas të rregulloni volumnin në altoparlant siç kërkohet. Ky veprim është i vlefshëm vetëm kur pajisja Bluetooth nuk ka volumn absolut.

### **Çiftimi i pajisjes me Bluetooth për herë të parë**

1. Shtypni butonin e energjisë për ta ndezur altoparlantin. Në ekran do të shfaqet "Pairing" (Po çiftohet) për të treguar se altoparlanti është i zbulueshëm.
2. Aktivizoni Bluetooth-in në pajisjen tuaj sipas manualit të përdorimit të pajisjes për të lidhur altoparlantin. Gjeneroni listën e pajisjeve me Bluetooth dhe zgjidhni pajisjen e emërtuar "MR014G" (Me disa celularë të pajisur me versione më të vjetra sesa BT2.1 Bluetooth, mund t'ju nevojitet të fusni kodin "0000").
3. Pasi të lidhet, do të bjerë një tingull konfirmimi. Në ekran do të shfaqet "Paired" (Çiftuar). Thjesht mund të zgjidhni dhe të luani muzikë nga pajisja juaj burimore. Kontrolli i volumnit mund të rregullohet nga pajisja burimore ose direkt nga altoparlanti.
4. Përdorni kontrollin në pajisjen e aktivizuar për Bluetooth ose në altoparlant për të luajtur/vendosur në pauzë dhe naviguar nëpër këngë.

### **Shënim:**

- Nëse 2 pajisje me Bluetooth, që çiftohen për herë të parë, kërkohen pajisjen altoparlanti, ajo do ta shfaqë disponueshmërinë e vet në të dyja pajisjet. Megjithatë, nëse njëra pajisje lidhet me këtë njësi në fillim, atëherë pajisja tjetër me Bluetooth nuk do ta gjejë atë në listë.
- Nëse pajisja juaj me Bluetooth shkëputet përkohësisht nga altoparlanti, atëherë duhet ta rilidhni manualisht pajisjen me altoparlantin.
- Nëse në listën e pajisjeve me Bluetooth shfaqet "MR014G", por pajisja juaj nuk arrin të lidhet me të, fshijeni artikullin nga lista juaj dhe çiftojeni sërish pajisjen me altoparlantin duke ndjekur hapat e përshkruar më parë.
- Gama optimale e transmetimit me Bluetooth është afërsisht 30 metra (100 këmbë) (në vijë të drejtë) nga altoparlanti, por janë të mundshme edhe distanca

deri në 100 metra (328 këmbë).

- Nëse lidhja me Bluetooth humbet për shkak të tejkalimit të kohës së ndarjes, tejkalimit të distancës optimale, pengesave ose ndryshe, mund të jetë e nevojshme rilidhja e pajisjes suaj me altoparantin.
- Pengesat fizike, pajisjet e tjera me valë ose pajisjet elektromagnetike mund të ndikojnë në cilësinë e lidhjes.
- Performanca e lidhjes me Bluetooth mund të ndryshojë në varësi të pajisjeve të lidhura me Bluetooth. Referojuni kapaciteteve të Bluetooth-it të pajisjes suaj përpara se ta lidhni me altoparantin. Mund të mos mbështeten të gjitha funksionet në disa pajisje të çiftuara me Bluetooth.

## Luajtja e skedarëve audio në regjimin e Bluetooth-it

Kur e keni lidhur me sukses altoparantin me pajisjen e zgjedhur me Bluetooth, mund të filloni të luani muzikë duke përdorur kontrollet në pajisjen e lidhur me Bluetooth.

1. Pasi të ketë filluar luajtja, rregulloni volumin në cilësimin e kërkuar duke përdorur butonat e volumit në altoparant ose në pajisjen e aktivizuar për Bluetooth.
2. Përdorni kontrollet në pajisjen tuaj me Bluetooth për të luajtur/vendosur në pauzë dhe naviguar nëpër këngë. Ose, kontrolloni luajtjen duke përdorur butonat Luaj/Pauzë, Kënga tjetër dhe Kënga e mëparshme në altoparantin tuaj.
3. Shtypni dhe mbani shtypur butonin e përshpejtimit përpara ose kthimit prapa për të lëvizur përpara ose prapa në këngën aktuale. Lëshojeni butonin kur të arrini pikën e dëshiruar.

### Shënim:

- Këtyre kontrolleve mund të mos u përgjigjen të gjitha pajisjet ose aplikacionet e lexuesve.
- Disa telefona celularë mund të shkëputen përkohësisht nga altoparanti kur kryeni ose merrni telefonata. Disa pajisje mund ta vendosin përkohësisht në heshtje audion me Bluetooth kur marrin mesazhe, emaile ose për arsye të tjera që nuk lidhen me transmetimin audio. Kjo mënyrë veprimi është funksion i pajisjes së lidhur dhe nuk tregon se ka ndonjë defekt me altoparantin.
- Ekranin do të shfaqë informacionin e këngës si p.sh. titulli, artisti, albumi etj., kur luhet në regjimin e Bluetooth-it.

## Luajtja e një pajisjeje burimore me Bluetooth të lidhur më parë

Altoparanti mund të memorizojë deri në 8 grupe pajisjesh Bluetooth të çiftuara, kur memoria tejkalon këtë sasi, pajisja më e hershme me të cilën është

çiftuar altoparanti do të mbishkruhet në kujtesën e altoparantit. Nëse pajisja juaj me burim Bluetooth-in është çiftuar më parë me altoparantin, altoparanti do të vazhdojë të kujtojë pajisjen tuaj Bluetooth dhe do të përpiqet të rilidhet me pajisjen e fundit të lidhur brenda 1 minute. Nëse nuk është e disponueshme pajisja e fundit e lidhur, altoparanti do të bëhet i zbulueshëm.

## Shkëputja e pajisjes me Bluetooth

Shtypni dhe mbani shtypur butonin e çiftimit me Bluetooth për 2-3 sekonda derisa të shfaqet në ekran "Pairing" (Po çiftohet) për t'u shkëputur nga pajisja juaj Bluetooth, ose çaktivizoni Bluetooth-in në pajisjen me Bluetooth për të çaktivizuar lidhjen.

## Fshirja e memories së pajisjes së çiftuar me Bluetooth

Për të pastruar memorien nga të gjitha pajisjet e çiftuara, mbani shtypur butonin e çiftimit të Bluetooth-it për më shumë se 7 sekonda derisa në ekran të shfaqet "Reset" (Rivendos).

## FUNKSIONI TRUE WIRELESS STEREO (TWS)

True Wireless Stereo (TWS) është një veçori që lejon që një pajisje të lidhet me valë me një pajisje tjetër. Ju mund të përdorni funksionin TWS për ta lidhur me një MR014G të dytë dhe për ta luajtur muzikën tuaj përmes dy altoparantëve.

## Konfigurimi i altoparantit të parë

1. Sigurohuni që altoparanti i parë të jetë në regjimin e Bluetooth-it dhe i lidhur me një pajisje Bluetooth.
2. Shtypni butonin Plus, ekranin do të shfaqë **[ST] + [MULTI]**. **[ST]** do të pulsojë në ekran. Shtypni butonin Plus për të hyrë në regjimin "ST Pair". Nëse nuk është shtypur asnjë buton për 10 sekonda, altoparanti do të hyjë gjithashtu në regjimin "ST Pair". Ekranin do të shfaqë "ST Pair".

## Konfigurimi i altoparantit të dytë

1. Sigurohuni që altoparanti i dytë të jetë në regjimin e Bluetooth-it dhe që nuk është i lidhur me një pajisje Bluetooth.
2. Shtypni butonin Plus, ekranin do të shfaqë **[ST] + [MULTI]**. **[ST]** do të pulsojë në ekran. Shtypni butonin Plus për të hyrë në regjimin "ST Pair". Nëse nuk është shtypur asnjë buton për 10 sekonda, altoparanti do të hyjë gjithashtu në regjimin "ST Pair".

Kur lidhja e altoparantëve është e suksesshme, **[L] - [ST] - [R]** do të shfaqet në të dyja ekranet në të njëjtën kohë.

**Shënim:** Konfiguroni altoparantin e dytë brenda 1

minute nga i pari, ndryshe cilësimi i altoparlantit të parë do të anulohet.

## Nisja e luajtjes

1. Nisni luajtjen në pajisjen e lidhur Bluetooth dhe rregulloni volumnin në pajisjen Bluetooth ose në një nga altoparlantët për dëgjim komod.  
**Shënim:** Cilësimet e volumnit ose të EQ të njërit altoparlant do të pasqyrohen në tjetrin.
2. Përdorni kontrollet në pajisjen tuaj me Bluetooth për të luajtur/vendosur në pauzë dhe naviguar nëpër këngë. Ose, kontrollojeni luajtjen duke përdorur butonat e luajtjes/pauzës, Këngës tjetër dhe Këngës së mëparshme në njërin altoparlant.
3. Shtypni dhe mbani shtypur butonin e Përshpejtitimit përpara ose Kthimit prapa në një prej altoparlantëve për të përshpejtuar përpara ose për t'u kthyer prapa në këngën aktuale. Lëshojeni butonin kur të arrini pikën e dëshiruar.

## Aktivizimi i regjimit të audios

1. Duke përdorur dy altoparlantë, ju mund të kaloni mes regjimit **L - [ST] - R**, **R - [ST] - R** dhe **L - [ST] - L**.
2. Shtypni butonin L/R në një prej altoparlantëve për të ndryshuar regjimin e audios.
3. **Regjimi L - [ST] - R**: Të dy altoparlantët luajnë të njëjtin tingull. Ky është cilësimi fillestar.
4. **Regjimi R - [ST] - R dhe L - [ST] - L**: Njëri altoparlant luan tingullin në kanalën e duhur, ndërsa altoparlantit tjetër luan tingullin në kanalën e majtë për luajtjen stereo mes altoparlantëve.

## Shkëputja e funksionit TWS

Shtypni dhe mbani shtypur butonin Plus për të shkëputur funksionin TWS.

## DËGJIMI I LUAJTJES ME VALË DUKE PËRDORUR ALTOPARLANTË TË SHUMËFISHTË

Ju mund të dëgjoni muzikë në të njëjtën kohë duke kombinuar deri në 10 pajisje që janë të pajtueshme me këtë funksion.

## Konfigurimi i altoparlantit të parë

1. Sigurohuni që altoparlantit i parë të jetë në regjimin e Bluetooth-it dhe i lidhur me një pajisje Bluetooth.
2. Shtypni butonin Plus, ekrani do të shfaqë **[ST] ; [MULTI]**.
3. Zgjidhni **[MULTI]** duke shtypur butonin L/R. **[MULTI]** do të pulsojë në ekran. Shtypni butonin Plus për të hyrë në regjimin "MULTI Pair". Nëse nuk është shtypur asnjë buton për 10 sekonda, edhe altoparlantit do të

hyjë gjithashtu në regjimin "MULTI Pair". Ekрани do të shfaqë "MULTI Pair".

## Konfigurimi i altoparlantit të dytë

1. Sigurohuni që altoparlantit i dytë të jetë në regjimin "Pairing" (Çiftimi) të Bluetooth-it.
2. Shtypni butonin Plus, ekrani do të shfaqë **[ST] ; [MULTI]**.
3. Zgjidhni **[MULTI]** duke shtypur butonin L/R. **[MULTI]** do të pulsojë në ekran. Shtypni butonin Plus për të hyrë në regjimin "MULTI Pair". Nëse nuk është shtypur asnjë buton për 10 sekonda, edhe altoparlantit do të hyjë gjithashtu në regjimin "MULTI Pair". Kur altoparlantët janë lidhur me sukses, ekrani i altoparlantit të parë do të tregojë "PARENT" (Prindi) (që tregon altoparlantin kryesor) dhe ekrani i altoparlantit të dytë do të tregojë "CHILD" (Fëmija) (që tregon altoparlantin dytësor).

**Shënim:** Konfigurojeni altoparlantin e dytë brenda 1 minute nga i pari. Kur shtoni një altoparlant të ri dytësor, kjo 1 minutë do të rillogaritet.

## Shtimi i altoparlantëve të rinj dytësorë

Nëse dëshironi të lidhni një altoparlant të tretë ose më shumë altoparlantë të rinj, ndiqni këta hapa:

1. Sigurohuni që altoparlantit i ri të jetë në regjimin "Pairing" (Çiftimi) të Bluetooth-it.
2. Shtypni butonin Plus në altoparlantin master, ekrani do të shfaqë "MULTI ADD".
3. Shtypni butonin Plus në altoparlantin e ri, ekrani do të shfaqë **[ST] ; [MULTI]**.
4. Zgjidhni **[MULTI]** duke shtypur butonin L/R. **[MULTI]** do të pulsojë në ekran. Shtypni butonin Plus për të hyrë në regjimin "MULTI Pair". Nëse nuk është shtypur asnjë buton për 10 sekonda, edhe altoparlantit do të hyjë gjithashtu në regjimin "MULTI Pair". Kur altoparlantët janë lidhur me sukses, "CHILD" (që tregon altoparlantin dytësor) do të shfaqet në altoparlantin e ri.

## Nisja e luajtjes

1. Nisni luajtjen në pajisjen e lidhur Bluetooth dhe rregulloni volumnin në pajisjen Bluetooth ose në altoparlantët për dëgjim komod. E njëjta muzikë luhet nga të gjithë altoparlantët.  
**Shënim:** Vetëm cilësimet e volumnit ose të EQ të altoparlantit kryesor do të sinkronizohen me altoparlantët e tjerë. Për altoparlantët e tjerë, ju lutemi vendosni volumnin ose EQ të secilit altoparlant veç e veç.
2. Përdorni kontrollet në pajisjen tuaj me Bluetooth për të luajtur/vendosur në pauzë dhe naviguar nëpër këngë. Ose, kontrollojeni luajtjen duke përdorur butonat e luajtjes/pauzës, Këngës tjetër dhe Këngës së mëparshme në altoparlantin kryesor.
3. Shtypni dhe mbani shtypur butonin e Përshpejtitimit

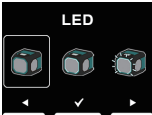
përpara ose Kthimit prapa në altoparantin master për të përshpejtuar përpara ose për t'u kthyer prapa në këngën aktuale. Lëshoheni butonin kur të arrini pikën e dëshiruar.

## Shkëputja e altoparantëve të shumëfishtë

- Për të shkëputur vetëm një altoparantë dytësor, shtypni dhe mbani shtypur butonin Plus të altoparantit dytësor që doni të shkëputni.
- Për të shkëputur të gjitha lidhjet dhe për të dalë nga grupi i altoparantëve, shtypni dhe mbani shtypur butonin Plus të altoparantit kryesor.

## PËRZGJEDHJA E FUNKSIONIT TË DRITËS

1. Shtypni butonin e energjisë për ta ndezur altoparantin.
2. Shtypni butonin e Menysë, më pas shtypni butonin e Këngës së mëparshme) për të hyrë te cilësimet.
3. Shtypni butonin e Këngës tjetër ose Këngës së mëparshme për të zgjedhur funksionin e dëshiruar të ndriçimit. Më pas shtypni butonin e luajtjes/pauzës për të konfirmuar zgjedhjen tuaj.



Zgjedhja e këtij opsioni tregon se drita LED është e fikur.



Zgjedhja e këtij opsioni tregon se drita LED mbetet e ndezur vazhdimisht. (Parazgjedhje)



Zgjedhja e këtij opsioni tregon se drita LED do të pulsojë me ritmin e muzikës. Është më efektive me muzikën që ka një ritëm të fortë.

**Shënim:** Kjo veçori është e përshtatshme për muzikë me një ritëm të fortë. Përndryshe, drita LED mund të mos pulsojë.

## FUNKSIONI I BALANCUESIT

1. Shtypni butonin e energjisë për ta ndezur altoparantin.
2. Shtypni butonin e menysë, më pas shtypni butonin e luajtjes/pauzës për të hyrë në menynë e përzgjedhjes së EQ.
3. Shtypni butonin Kënga tjetër ose Kënga e mëparshme për të zgjedhur regjimin e dëshiruar të balancimit ose zgjidhni të konfiguroni regjimin tuaj

të balancimit. Më pas shtypni butonin e luajtjes/pauzës për të konfirmuar zgjedhjen tuaj. Regjimet e disponueshme të balancuesit janë: "FLAT", "JAZZ", "ROCK", "CLASSIC", "POP", "NEWS", dhe "MY EQ".

4. Nëse "MY EQ" zgjidhet në hapin 3, përdorni butonat e Këngës tjetër, Këngës së mëparshme dhe luajtjes/pauzës për të konfiguruar më pas nivelet e altos, mesit dhe basit.

**Shënim:** Nëse rritni volumnin ndërsa theksoni basin me një balancues, mund të ndodhë kërcitje ose shtrembërim. Në këtë rast, rregulloni volumnin.

## FOLEJA E MIKROFONIT

Në anën e djathtë të altoparantit ndodhet një fole mikrofone 6,3mm për lidhjen e mikrofonit (i cili nuk jepet).

1. Lidhni mikrofonin me folenë e mikrofonit (MIC).
2. Shtypni butonin e energjisë për ta ndezur altoparantin.
3. Ndizni mikrofonin.
4. Shtypni butonat e ngritjes/uljes së volumnit në altoparant sipas nevojës për të rregulluar nivelin e dëshiruar.

**Shënim:**

Mos e vendosni mikrofonin kundër altoparantit, ai mund të shkaktojë jehonë reaguese dhe do të dëmtojë altoparantin.

## Vendosja e volumnit të mikrofonit

1. Shtypni butonin e energjisë për ta ndezur altoparantin.
2. Shtypni butonin e Menysë, më pas shtypni butonin e Këngës tjetër për të hyrë te cilësimet.
3. Shtypni butonin e Këngës tjetër ose Këngës së mëparshme për të zgjedhur funksionin e dëshiruar të ndriçimit. Më pas shtypni butonin e luajtjes/pauzës për të konfirmuar zgjedhjen tuaj.

## LUAJTJA E MUZIKËS PËRMES FOLESË SË HYRJES DYTËSORE

Në të djathtë të njësisë ndodhet një fole dytësore hyrjeje 3,5mm për një sinjal audio nga çdo pajisje që përmban kufje ose dalje audio, si p.sh. lexues për MP3 ose CD.

1. Lidhni një burim audio stereo ose mono (për shembull, lexues për MP3 ose CD) me folenë e hyrjes dytësore (të shënuar "AUX IN") dhe altoparanti do të kalojë nga regjimi Bluetooth në regjimin e hyrjes dytësore.
2. Rregulloni kontrollin e volumnit në lexuesin për MP3 ose CD, për të siguruar një sinjal të përshtatshëm dhe më pas rregulloni volumnin në altoparant për dëgjim komod.

## Shënim:

Në regjimin AUX IN, rekomandohet të vendosni volumin e pajisjes audio të jashtme në dy të tretat ose më shumë. Më pas, rregulloni volumin e altoparlantit sipas nevojës për të arritur cilësi optimale të zërit. Nëse volumi i pajisjes audio është vendosur më pak se dy të tretat, është e mundur që drita LED të mos pulsojë. Ekranin nuk shfaq informacion të tillë si titulli, artisti, albumi etj., kur luhet përmes folesë së hyrjes dytësore.

## MIRËMBAJTJA

### ⚠ KUJDES:

- Mos përdorni kurrë benzinë, benzinë pastrimi, hollues, alkool dhe të ngjashme. Mund të shkaktoni çngjyrosje, deformime ose krisje.
- Mos e lani altoparlantin me ujë.

## SPECIFIKIMI

Amplifikatori	
Fuqia në dalje	14.4V: 15W 18V: 20W 36V: 20W
Reagimi i frekuencës	50Hz~20kHz
Aux In	
Ndjeshmëria e hyrjes	300mVrms @100Hz
Altoparlanti	
Altoparlanti kryesor	140.8mm x 1 6ohm 25W
Altoparlanti i altos	40mm x 1 6ohm 10W
Radiator pasiv	100.7mmx2

Bluetooth®	
(Logoja dhe fjala e markës Bluetooth® janë marka tregtare të regjistruara të zotëruara nga Bluetooth SIG, Inc.)	
Versioni i Bluetooth-it	5.1 Certified
Profili i Bluetooth-it	A2DP/SCMS-T/AVRCP
Fuqia e transmetimit	Fuqia e Kateg1
Rrezja e transmetimit	Optimale: Maks. 30 metra (100 këmbë) E mundshme: Maks. 100 metra (328 këmbë) (varion sipas kushteve të përdorimit)
Kodeku i mbështetur	SBC, AAC, aptX™, aptX™ HD
Profili i përputhshëm i Bluetooth-it	A2DP/AVRCP

Fuqia maksimale e radiofrekuencës	BT EDR: 4.56dBm BT LE: 4.65dBm
Frekuenca e përdorimit	2402MHz~2480MHz

Foleja e karikimit me USB	
Energjia maksimale e furnizimit të folesë USB	5V, 2.4A
Të përgjithshme	
Përshtatësi i rrymës AC	DC në 18V 2A, kunji i qendrës pozitiv
Bateria	Bateria me rrëshqitje: 14.4V 18V 36V
Terminali i hyrjes	3.5mm dia. (AUX IN) 6.3mm dia. (MIKROFONI)
Dimensionet (GJ x L x TH)	236mm x 205mm x 243mm
Pesha	3.8kg (pa baterinë)

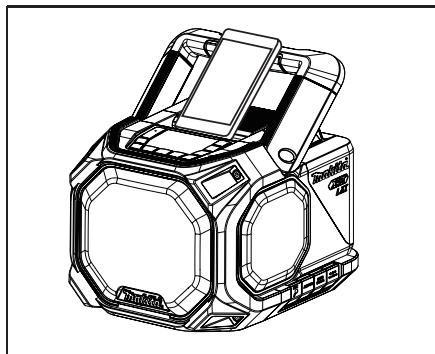
Informacioni rreth konsumit të energjisë	
Regjimi fikur	Kjo pajisje nuk ka regjim gatishmërie dhe konsumi i saj i energjisë në regjimin fikur është nën 0,3W.
Regjimi i Bluetooth-it	Në regjimin e Bluetooth-it, kur nuk ka dalje sinjali, konsumi i energjisë së papunë në këtë regjim është nën 2W pas 15 minutash.
Regjimi AUX	Në regjimin AUX, kur nuk ka dalje sinjali, konsumi i energjisë së papunë në këtë regjim është nën 0,8W pas 15 minutash.

Kompania ruan të drejtën të ndryshojë specifikimet pa dhënë njoftim.

## Български (Упътване за употреба)

### ОБЯСНЕНИЕ НА ОБЩИЯ ВИД (Fig.1)

1. Предпазител на отделението за батерии
2. Дръжка
3. Капак на отделението за батерии (покриващ касетата за батерията)
4. Пасивен високоговорител
5. Вход за постоянен ток
6. USB вход за зареждане
7. Допълнителен вход AUX
8. Вход за микрофон
9. LED светлина
10. Високоговорител
11. Вдлъбнатина за поставяне на смартфон



12. LCD дисплей
13. Бутон за увеличаване на звука
14. Бутон за намаляване на звука
15. Бутон "Плюс" (бутон за сдвояване "Плюс")
16. Бутон L/R (ляво/дясно)
17. Бутон за следваща песен/бързо превъртане напред
18. Бутон за възпроизвеждане/пауза
19. Бутон Предишна песен/превъртане назад
20. Бутон Меню
21. Бутон за Bluetooth сдвояване
22. Бутон за включване
23. Клема на батерията LXT
24. Клема на батерията XGT

### СИМВОЛИ

Показани по-долу са символите, които са използвани по оборудването. Бъдете сигурни, че разбирате значението им преди употреба.



Прочетете упътването.



Само за страни от ЕС.

Поради наличието на опасни компоненти в оборудването, отпадъците от електрическо и електронно оборудване, акумулатори и батерии могат да имат отрицателно въздействие върху околната среда и човешкото здраве.

Не изхвърляйте електрическите и електронните уреди и батериите заедно с битовите отпадъци! В съответствие с Европейската директива за отпадъчните електрически и електронни оборудвания, и за акумулаторите и батериите и отпадъците от акумулатори и батерии, както и адаптирането им към националното законодателство, отпадъците от електрическо оборудване, батерии и акумулатори трябва да се съхраняват отделно и да се предават в пункт за отделно събиране на битови отпадъци, работещ в съответствие с разпоредбите за опазване на околната среда.

Това е обозначено със символа на зачеркнат контейнер на колелца, поставен върху оборудването.



### Qualcomm® aptX™ HD

Qualcomm aptX е продукт на Qualcomm Technologies, Inc. и/или нейни дъщерни дружества. Qualcomm е търговска марка на Qualcomm Incorporated, регистрирана в Съединените щати и други държави. aptX е търговска марка на Qualcomm Technologies International, Ltd., регистрирана в Съединените щати и други държави.

### ВАЖНИ ИНСТРУКЦИИ ЗА БЕЗОПАСНОСТ

#### ⚠ ВНИМАНИЕ:

Винаги когато използвате електрически уреди, трябва да спазвате основни мерки за сигурност, за да се избегне риск от пожар, токов удар и телесни повреди, включително:

1. Внимателно прочетете това упътване за употреба и упътването за употреба на зарядното, преди да ги използвате.
2. Почиствайте само със суха кърпа.
3. Не инсталирайте до никакви източници на топлина, като радиатори, отвори на



- вентилационна система, печки, и други апарати, (включително усилватели) които отделят топлина.
4. Използвайте само аксесоари и допълнения, които са определени от производителя.
  5. Изключвайте от мрежата уреда по време на светкавични бури или когато няма да се използва за дълго време.
  6. Високоворител с акумулаторна батерия, или такъв с отделна батерия, трябва да се зарежда само със зарядното, определено за тази батерия. Зарядно, подходящо за един вид батерия, може да предизвика риск от пожар, при използване с друг вид батерия.
  7. Използвайте акумулаторните високоворители само с батерии определени за тях. Използването на друг вид батерии може да предизвика риск от пожар.
  8. Когато акумулатора не се използва, дръжте го далеч от метални обекти, като кламери, монети, ключове, пирони, болтчета, или други метални неща, които могат да създадат връзка между двата терминала. Предизвиканото късо съединение може да създаде искри, изгаряне, или пожар.
  9. Избягвайте телесен контакт със зазементи повърхности, като тръби, радиатори, вериги, и хладилници. Има опасност от токов удар, ако тялото ви е заземено.
  10. При злоупотреба, от акумулаторната батерия може да изтече течност, избягвайте контакт с нея. Ако осъществите контакт, изплакнете обилно с вода. Ако течността попадне в очите ви, потърсете медицинска помощ. Течност, изтекла от акумулатора, може да предизвика раздразнения или изгаряния.
  11. Не използвайте акумулатор или уред, който е повреден или е бил изменен. Акумулатори, които са повредени или с изменения, могат да се държат непредсказуемо и да предизвикат пожар, експлозия, или телесни повреди.
  12. Не излагайте акумулатора или уреда на високи температури или огън. При излагане на огън или температури над 130°C (266°F) има опасност от експлозия.
  13. Следвайте упътването за зареждане и не сменяйте акумулатора при температури извън посочения диапазон. Неправилно зареждане, или температури извън посочения диапазон, могат да повредят акумулатора и да повишат риска от пожар.
  14. Щепсела се използва за прекъсване от мрежата и трябва да бъде лесно достъпен по всяко време.
  15. Не използвайте оборудването с максимална сила на звука за дълги периоди от време. За да избегнете повреда на слуха, използвайте оборудването с умерена сила на звука.
  16. (Само за продукти с LCD дисплеи) LCD дисплеите съдържат течност, която може да предизвика раздразнения или отравяния. Ако течността попадне в очите, устата, или на кожата ви, изплакнете я с вода и потърсете лекарска помощ.
  17. Не излагайте уреда на дъжд или мокри условия. Ако попадне вода в уреда ще увеличи риска от токов удар.
  18. Този продукт не е предназначен за употреба от лица (включително деца) с намалени физически, сетивни или умствени способности или липса на опит и познания, освен ако не са под надзор или инструктирани относно употребата на продукта, от лице, отговарящо за безопасността им. Децата трябва да са под надзор, за да е сигурно, че няма да си играят с уреда. Съхранявайте оборудването далече от деца.
  19. Не нагрявайте и не излагайте устройството на огън, не го оставяйте в горещи помещения, в близост до топлинен източник, изложено на пряка слънчева светлина, или във вътрешността на превозно средство нагрявано от слънцето. Това може да доведе до пожар или експлозия и нараняване.
  20. Поставете оборудването върху равна, плоска повърхност или го закрепете на стабилно място. В противен случай може да възникнат инциденти с падане.

## ЗАПАЗЕТЕ ТОВА УПЪТВАНЕ

### ТОЧНИ ПРАВИЛА ЗА БЕЗОПАСНОСТ ЗА АКУМУЛАТОРНАТА БАТЕРИЯ

1. Преди употреба на акумулаторната батерия, прочетете всички инструкции и знаци по (1) зарядното, (2) акумулатора, and (3) уреда който използва акумулаторната батерия.
2. Не разглобявайте акумулатора.
3. Ако живота на батерията е станал значително по-кратък, прекратете всякаква употреба. Има риск от преграване, възможни изгаряния и дори и експлозия.
4. Ако електролитна течност попадне в очите ви, изплакнете ги обилно с вода и моментално потърсете медицинска помощ. Има опасност от



- загуба на зрението.
5. Не предизвиквайте късо съединение на акумулатора:
    - (1) Не докосвайте терминалите с проводни материали.
    - (2) Избягвайте да съхранявате акумулатора на място с други метални обекти, като пирони, монети и други.
    - (3) Не излагайте акумулатора на дъжд или контакт с вода. Късото съединение може да предизвика токов удар, прегряване, възможни изгаряния и повреда.
  6. Не съхранявайте и не използвайте инструмента и касетата с батерията на места, където температурата може да достигне или да надвиши 50°C (122°F).
  7. Не изгаряйте акумулатора в огън, дори и да е сериозно повреден или напълно изтощен. Акумулаторната батерия може да избухне в огън.
  8. Бъдете внимателни да не изпуснете или ударите акумулатора.
  9. Не използвайте повреден акумулатор.
  10. За да избегнете риск, прочетете упътването за акумулатора преди употреба.
  11. Съдържащите се литиево-йонни батерии са предмет на изискванията за законодателство в областта на опасните стоки. За търговски превози, напр. от трети лица, като спедитори, трябва да се спазват специални изисквания за опаковане и етикетирание. За подготовка на изпратения артикул се изисква консултация с експерт за опасни материали. Моля, спазвайте и националните разпоредби, които е възможно да са по-подробни. Залепете или увийте отворените контакти и опаковайте акумулатора по такъв начин, че да не може да се движи в опаковката.
  12. При изхвърляне на батерията, свалете я от устройството и я изхвърлете на безопасно място. Спазвайте местните разпоредби, отнасящи се до изхвърляне на батерии.
  13. Използвайте батериите само с продукти, специално предназначени за тях от Макита. Инсталирането на батериите в несъответстващи за тях уреди може да доведе до пожар, прегряване, експлозия или изтичане на електролитна течност.
  14. Ако устройството не се използва за по-дълъг период от време, акумулаторната батерия трябва да се извади от него.
  15. Не допускайте попадане на стружки, прах или почва в клемите, отворите и каналите на касетата на батерията. Това може да доведе до лошо функциониране или повреда на инструмента или касетата на батерията.
16. Съхранявайте акумулаторната батерия далеч от деца.
  17. По време на и след употреба касетата с батерията може да се нагрее, което може да причини изгаряния от различна степен.
  18. Не докосвайте терминала на инструмента непосредствено след употреба, тъй като може да се нагрее достатъчно, за да причини изгаряния.
  19. Освен ако инструментът не поддържа употреба в близост до електропроводи с високо напрежение, не използвайте батерията в близост до електропроводи с високо напрежение. Това може да доведе до неправилно функциониране или повреда на инструмента или касетата на батерията.
  20. Предпазвайте батерията от следните условия:
    - замяна на батерия с неправилен тип, който може да наруши защитната функция (например някои типове литиеви батерии);
    - изхвърляне на батерията в огън или гореща фурна или механично смачкване или рязане на батерията, което може да доведе до експлозия;
    - оставяне на батерия в околна среда с изключително висока температура, което може да доведе до експлозия или изтичане на запалима течност или газ; и
    - батерия, подложена на изключително ниско въздушно налягане, което може да доведе до експлозия или изтичане на запалителна течност или газ.
- ⚠ ВНИМАНИЕ:**
- Опасност от експлозия, ако батерията е сменена неправилно.
  - Използвайте само оригинални батерии Макита. Използването на неоригинални батерии Макита или батерии, които са били изменени, може да доведе до взривяване на акумулатора, и да причини пожар, телесни и материални повреди. Това също така ще анулира гаранцията от Макита за уреда Макита и зарядното устройство.
- ### Съвети за поддържане на максимално дълъг живот на батерията
1. Зареждайте батерията преди да се разрези напълно. Винаги когато забележите по-ниска мощност при разредена батерия, спрете употреба и заредете.
  2. Никога не зареждайте вече заредена акумулаторна батерия. Презареждането скъсява живота на батерията.
  3. Зареждайте батерията в помещения с температура между 10°C - 40°C (50°F - 104°F).

- Оставете загоряла акумулаторна батерия да се охлади преди да я заредите отново.
4. Когато не използвате батерийната касета я извадете от инструмента или зарядното устройство.
5. Заредете акумулаторната батерия, ако нямада я използвате за дълъг период от време (повече от шест месеца).

## РАБОТНО ВРЕМЕ

\* Подходящите батерии за високоговорител са изброени в следващата таблица.

\* Следната таблица показва времето за употреба при едно зареждане.

Батерийна касета		Капацитет на батерията	При изходна мощност на високоговорителя = 100mW Единица: Час (приблизително)			
			Bluetooth		AUX вход	
			LED Вкл	LED Изкл	LED Вкл	LED Изкл
LXT (14.4V)	BL1415N	1.5 Ah	7.0	10	7.5	10
	BL1430B	3.0 Ah	12	16	12	17
	BL1440	4.0 Ah	19	25	20	27
	BL1460B	6.0 Ah	25	34	26	36
LXT (18V)	BL1815N	1.5 Ah	8.0	10	8.5	11
	BL1820B	2.0 Ah	11	14	11	15
	BL1830B	3.0 Ah	15	19	16	20
	BL1840B	4.0 Ah	22	28	22	29
	BL1850B	5.0 Ah	28	36	29	37
	BL1860B	6.0 Ah	34	43	35	45
XGT (36V - 40V max)	BL4020	2.0 Ah	19	23	19	24
	BL4025	2.5 Ah	24	30	25	31
	BL4040(F)	4.0 Ah	39	47	40	49

### **⚠ ВНИМАНИЕ:**

Използвайте само батерии, посочени по-горе. Използването на друг тип батерии може да причини телесни повреди и/или пожар.

### **Забележка:**

- Таблицата с времето е само за сведение.
- Реалното време на употреба може да варира според вида батерия, заряда, или условията на употреба.
- Някои от изброените по-горе касети за батерии и зарядни устройства може да не са налични в зависимост от региона, в който живеете.

## ПОСТАВЯНЕ НА БАТЕРИИ И ЗАХРАНВАНЕ

### ⚠ ВНИМАНИЕ:

- Внимавайте да не защитете пръстите си при отваряне и затваряне на капака на батерията.
- Върнете отделението за батерии в първоначалното му положение, след като поставите или извадите батерията. В противен случай батерията може случайно да изпадне от високоговорителя, причинявайки нараняване на вас или на някой около вас.
- Винаги затваряйте и заключвайте за батерии, преди да местите високоговорителя.
- Винаги изключвайте високоговорителя, преди да поставите или изваждате батерии.
- Внимавайте да не изпуснете или ударите високоговорителя. Счупения корпус може да пореже пръстите или нарани тялото ви. Повреденият високоговорител може да работи по непредсказуем начин, което да доведе до пожар, експлозия или риск от нараняване.
- Дръжте високоговорителя и батерията здраво, когато поставяте или сваляте акумулаторната батерия. Ако не ги държите здраво, батерията може да се изплъзне от ръцете ви и да доведе до повреда на високоговорителя, на батерията и до нараняване.

### Важно:

- Намалената мощност, изкривяването, “заекващият звук” или появата на икона за изтощена батерия на дисплея са признаци, че основният комплект батерии трябва да бъде сменен.
- Батерията не може да се зарежда чрез приложения адаптер за променлив ток.
- Батерията не е включена като стандартен приложен аксесоар.

### Поставяне и изваждане на плъзгащата се батерия (Fig. 2-4)

- За да поставите касетката с батерия, наложете езицето на батерията към вдлъбнатината на продукта, и следвайки я, плъзнете на място. Пъхнете напълно докато не щракне.
- Ако виждате червен индикатор на горната страна на бутона, значи батерията не е добре поставена. Пъхнете докрая, докато червеният индикатор изчезне. В противен случай батерията може да изпадне от високоговорителя, причинявайки нараняване на вас или някой около вас.
- Не поставяйте батерията със сила. Ако не се плъзга лесно на място, значи не я поставяте правилно.
- За да извадите акумулаторната батерия,

натиснете бутона отпред на касетката, и я плъзнете към вас.

### Показва оставащия заряд на батерията (Fig. 5-6)

#### Само за батерийни касети с индикатор

#### ➤ 1. Индикаторна лампа 2. Бутон за проверка

Натиснете бутона за проверка на акумулатора за да се покаже оставащия заряд на батерията. Индикаторната лампичка може да свети за няколко секунди.

#### • XGT/LXT батерийна касета

Индикатор или лампи			Оставащ заряд
 Светеща	 Изключена	 Мигаща	
			75% ~ 100%
			50% ~ 75%
			25% ~ 50%
			0% ~ 25%
			Заредете батерията
			Батерията може да е повредена

#### Забележка:

- В зависимост от условията на употреба и околната температура, показаното може да се различава от реалния заряд.
- Първата (крайната лява) контролна лампа ще светне, когато системата за защита на акумулатора работи.
- Когато зарядът на батерията е нисък, сменете батерията.

### Използване на приложения адаптер за AC захранване

Махнете гумения предпазител и вкарайте адаптора в DC входа от дясната страна на високоговорителя. Включете адаптора в стандартен контакт на ел. мрежа. Когато се използва захранване с адаптор, батерията се изключва автоматично.

### ⚠ ВНИМАНИЕ:

- Винаги изключвайте захранващия адаптор напълно, преди да преместите високоговорителя. Ако адапторът за променлив ток не е изваден, това може да предизвика токов удар.

## СЛУШАНЕ НА МУЗИКА С BLUETOOTH ПРЕДАВАНЕ

- Никога не дърпайте и/или влачете кабели на адаптора. Високоговорителя може случайно да падне и да причини нараняване на вас или някой около вас.

### ВАЖНО:

- За да изключите високоговорителя, извадете захранващият адаптор от контакта.
- Използвайте приложения с уреда АС адаптора за захранване, или такъв специално посочен от Макита.
- Не дръжте кабела в уста и не се опитвайте да го включите с уста. Това може да причини токов удар.
- Не пипайте контакта с мокри или мазни ръце.
- Повредени или преплетени кабели може да повишат риска от токов удар. Ако кабела е повреден, предайте го за смяна в оторизиран сервизен център, за да избегнете опасност. Не го използвайте без да е поправен.
- След употреба, винаги съхранявайте кабела далече от досега на деца. Ако деца си играят с кабела може да се наранят.

### USB вход за захранване

Този вход може да бъде използван за зареждане на мобилен телефон или друг уред, който използва по-малко от 2.4А ток. Зареждането ще бъде възможно само когато високоговорителят е включен.

**Забележка:** Бъдете сигурни, че спецификациите на вашето външно устройство, например мобилен телефон или плейър, са съвместими с високоговорителя. Моля, прочетете ръководството за вашето външно устройство преди зареждане.

### ВАЖНО:

- Преди да свържете USB устройства към акумулаторната батерия, винаги архивирайте информацията от USB устройството ви. Възможна е загуба на данни.
- Продукта може да не зарежда някои USB устройства.
- Когато не е в употреба, или след зареждане, махнете USB кабела и затворете капачето.
- Не свързвайте електрически кабел към USB входа. Има опасност от пожар. USB входа се използва само за зареждане на нисковолтажни устройства. Винаги поставяйте капачето на на USB входа, когато не зареждате нисковолтажно устройство.
- Не пъхайте пирони, скоби и прочие предмети в USB порта за захранване. Може да предизвикате късо съединение, пушек и искри.
- Не свързвайте този USB вход към вашия настолен компютър. Силно е възможно това да предизвика повреда и в двете устройства.

За да възпроизведате/стриймвате Bluetooth музика през високоговорителя, свържете Bluetooth устройството си с високоговорителя, за да активирате автоматичната връзка.

### Бележка:

За по-добро качество на звука препоръчваме да зададете сила на звука на две трети от вашето Bluetooth устройство, и тогава да нагласите звука на високоговорителя, както е необходимо. Това действие е валидно само когато Bluetooth устройството не е с абсолютна сила на звука.

### Сдвояване с Bluetooth за първи път

1. Натиснете бутона за включване, за да включите високоговорителя. "Pairing" (сдвояване) ще се появи на дисплея, за да покаже, че високоговорителя е откриваем.
2. Активирайте Bluetooth на вашето устройство според неговото ръководство за употреба, за да се свържете с високоговорителя. Намерете списъка с Bluetooth устройства и изберете устройството, наречено „MR014G“ (някои мобилни телефони, които са оборудвани с по-ранни версии от Bluetooth устройство BT2.1, може да изискат въвеждане на код „0000“).
3. След като се свърже, ще има звуков сигнал за потвърждение. "Paired" (сдвоено) ще се появи на дисплея. Можете просто да избирате и възпроизведате всички парчета музика от вашето устройство източник. Можете да регулирате силата на звука от вашето външно устройство източник, или директно от високоговорителя.
4. Използвайте контролите на вашето Bluetooth устройство, или на високоговорителя да пускате, спирате или сменят песни.

### Забележка:

- Ако две Bluetooth устройства се сдвояват за първи път, при търсене на вашия високоговорителя, и двете ще го покажат в наличност. След като едно от тях осъществи връзка, другото устройство вече няма да го показва в списъка на налични Bluetooth устройства.
- Ако вашето Bluetooth устройство е временно прекъснало връзката, ще се наложи да подновите ръчно връзката с високоговорителя.
- Ако "MR014G" се показва в списъка на вашето устройство, но не можете да осъществите връзка, изтрийте го от списъка и повторете стъпките по-горе за да сдвоите.
- Най-подходящия обхват за Bluetooth стриймване е около 30 метра (100 фута) (по линия на погледа,

без прегради) от високоговорителя, но разстояния до 100 метра (328 фута) също са възможни.

- Ако Bluetooth връзката се разпадне, поради прекалено дълго време покой, или прекалено голямо разстояние, прегради, или друго, може да се наложи да се свържете отново с високоговорителя.
- Прегради, други безжични или електромагнитни устройства може да повлияят на качеството на връзката.
- Bluetooth връзката и нейното качество могат да варират в зависимост от свързаните Bluetooth устройства. Моля прочетете за възможностите на Bluetooth на вашите устройства, преди да ги свържете с вашия високоговорител. Не всички функции са поддържани на някои сдвоени Bluetooth устройства.

## Пускане на аудио файлове чрез Bluetooth

Когато сте осъществили успешна връзка на високоговорителя с избраното Bluetooth устройство, може да започнете да пускате музика, използвайки контролите на вашето Bluetooth устройство.

1. След като изпълнението е започнало, задайте сила на звука до желаното ниво използвайки бутоните на високоговорителя, или на вашето Bluetooth устройство.
2. Използвайте бутоните на вашето Bluetooth устройство за възпроизвеждане/пауза и за да навигирате песните. Също така, можете да пускате спирате, сменят следваща и предишна песен от съответстващите бутони на вашия високоговорител.
3. Натиснете и задръжте бутоните за превъртане напред или връщане назад за бързо превъртане по време на текущата песен. Пуснете бутона, когато достигнете до желаното място.

### Забележка:

- Не всички медийни плейъри или устройства реагират на тези контроли.
- Някои мобилни телефони може да прекъснат временно връзката с високоговорителя ви, когато получават или правят обаждания. Някои устройства може да заглушат музиката когато получават текстови съобщения, имейли или по други причини, които не са свързани с поточно аудио. Тези случаи са породени от свързаното устройство и не означават проблем с вашия високоговорител.
- дисплеят ще покаже информация за песента, като заглавие, изпълнител, албуми и др., когато я възпроизвеждате в режим Bluetooth.

## Възпроизвеждане чрез Bluetooth от предварително сдвоен източник

Високоговорителят може да запомни до 8 сдвоени двойки Bluetooth устройства, когато паметта надхвърли това количество, най-ранното устройство, с което високоговорителят е бил сдвоен, ще бъде презаписано в паметта на високоговорителя. Ако изходното ви Bluetooth устройство вече е било сдвоено с високоговорителя, високоговорителят все пак ще запомни вашето Bluetooth устройство и ще се опита да възстанови връзката с последното свързано устройство в рамките на 1 минута. Ако последното свързано устройство не е налично, високоговорителят ще бъде в режим 'откриваем'.

## Прекъсване на връзката с Bluetooth устройство

Натиснете и задръжте бутона за Bluetooth свързването за 2-3 секунди, докато "Pairing" (сдвояване) се покаже на дисплея, за да прекъснете връзката с Bluetooth устройството ви, или изключете Bluetooth на вашето устройство, за да деактивирате връзката.

## Изтриване на паметта за сдвоени Bluetooth устройства

За да изчистите от паметта всички сдвоени устройства, натиснете и задръжте бутона за Bluetooth сдвояване за повече от 7 секунди, докато на дисплея се покаже "Reset".

## ФУНКЦИЯТА TRUE WIRELESS STEREO (TWS)

True wireless stereo (TWS) е функция, която позволява на едно устройство да свърже безжично с друго устройство. Можете да използвате функцията TWS, за да се свържете към втори високоговорител MR014G и да възпроизвеждате музика и през двата високоговорителя.

## Настройване на първия високоговорител

1. Уверете се, че първият високоговорител е в режим Bluetooth, и се свържете с Bluetooth устройство.
2. Натиснете бутона Plus, на дисплея ще се покаже **[ST] : [MULTI] : [ST]** ще мига. Ако в продължение на 10 секунди не бъдат натиснати никакви бутони, високоговорителят също ще влезе в режим "ST Pair". На дисплея ще се покаже "ST Pair".

## Настройване на втория високоговорител

1. Уверете се, че вторият високоговорител е в режим Bluetooth и че не е свързан с Bluetooth устройство.
2. Натиснете бутона Plus, на дисплея ще се покаже **[ST] • [MULTI] [ST]** ще мига. Ако в продължение на 10 секунди не бъдат натиснати никакви бутони, високоговорителят също ще влезе в режим "ST Pair". На дисплея ще се покаже "ST Pair".  
Когато високоговорителите са успешно свързани, **[L - ST] - R** ще се покаже едновременно на двата дисплея.

**Забележка:** Настройте втория високоговорител в рамките на 1 минута след първия, в противен случай настройката на първия високоговорител ще бъде отменена.

## Пускане на музика

1. Стартирайте възпроизвеждането на свързаното Bluetooth устройство и регулирайте силата на звука на Bluetooth устройството или на един от високоговорителите както ви е удобно.  
**Забележка:** Настройките за силата на звука или еквалайзера на единия високоговорител ще се отразят на другия.
2. Използвайте контролите на Bluetooth устройството, за да възпроизвеждате/спирате и да навигирате между песните. Също, може да управлявате възпроизвеждането с помощта на бутоните Play/Pause (Възпроизвеждане/Пауза), Next track (Следващата песен) и Previous track (Предишната песен) на двата високоговорителя.
3. Натиснете и задръжте бутона Бързо превъртане напред или Превъртане назад на всеки от високоговорителите, за да превъртите бързо напред или назад в рамките на текущата песен. Пуснете бутона, когато достигнете желаното място.

## Превключване на аудио режим

1. Като използвате два високоговорителя, можете да превключвате между режими **[L - ST] - R**, **R - [ST] - R** и **[L - ST] - L**.
2. Натиснете бутона L/R (ляво дясно), на един от високоговорителите за смяна на аудио режим.
3. **Режим [L - ST] - R**: Двата високоговорителя възпроизвеждат един и същи звук. Това е стандартната настройка.
4. **Режим R - [ST] - R И [L - ST] - L**: Единия високоговорител възпроизвежда звук на десния канал, докато другия високоговорител възпроизвежда звук на левия канал за стерео

ефект между високоговорителите.

## Прекъсване на функцията TWS

Натиснете и задръжте бутона, за да прекъснете TWS функцията.

## Наслаждавайте се на безжично възпроизвеждане с помощта на много високоговорители

Можете да се наслаждавате на музика по едно и също време, като съчетаете до 10 устройства, които са съвместими с тази функция.

## Настройване на първия високоговорител

1. Уверете се, че първият високоговорител е в режим Bluetooth, и се свържете с Bluetooth устройство.
2. Натиснете бутона Plus, на дисплея ще се покаже **[ST] • [MULTI]**.
3. Изберете **[MULTI]** като натиснете бутона L/R. **[MULTI]** ще мига на дисплея. Натиснете бутона Plus, за да влезете в режим "MULTI Pair". Ако в продължение на 10 секунди не бъдат натиснати никакви бутони, високоговорителят също ще влезе в режим "MULTI Pair". На дисплея ще се покаже "MULTI Pair".

## Настройване на втория високоговорител

1. Уверете се, че вторият високоговорител е готов за свързване.
2. Натиснете бутона Plus, на дисплея ще се покаже **[ST] • [MULTI]**.
3. Изберете **[MULTI]** като натиснете бутона L/R. **[MULTI]** ще мига на дисплея. Натиснете бутона Plus, за да влезете в режим "MULTI Pair". Ако в продължение на 10 секунди не бъдат натиснати никакви бутони, високоговорителят също ще влезе в режим "MULTI Pair". Когато високоговорителите са успешно свързани, на дисплея на първия високоговорител ще се появи надпис "PARENT" (показващ главния високоговорител), а на дисплея на втория високоговорител ще се появи надпис "CHILD" (показващ вторичния високоговорител).

**Забележка:** Настройте втория високоговорител в рамките на 1 минута след първия. При добавяне на нов вторичен високоговорител 1 минута ще бъде преизчислена.

## Добавяне на нови вторични високоговорители

Ако искате да свържете трети високоговорител или повече нови високоговорители, направете следното:

1. Уверете се, че новият високоговорител е в режим Bluetooth “Сдвояване”.
2. Натиснете бутона “Plus” на главната тонколона, на дисплея ще се покаже “MULTI ADD”.
3. Натиснете бутона Plus на новия високоговорител, на дисплея ще се покаже **[ST] [MULTI]**.
4. Изберете, **[MULTI]** като натиснете бутона L/R. **[MULTI]** ще мига на дисплея. Натиснете бутона Plus, за да влезете в режим “MULTI Pair”. Ако в продължение на 10 секунди не бъдат натиснати никакви бутони, високоговорителят също ще влезе в режим “MULTI Pair”. Когато високоговорителите са успешно свързани, на дисплея на новия високоговорител ще се покаже “CHILD” (указващ вторичния високоговорител).

## Пускане на музика

1. Стартирайте възпроизвеждането на свързаното Bluetooth устройство и регулирайте силата на звука на Bluetooth устройството или на високоговорителите за удобно слушане. Една и съща музика се възпроизвежда от всички високоговорители.

**Забележка:** Само настройките за силата на звука или еквайзера на главния високоговорител ще бъдат синхронизирани с другите високоговорители. За останалите високоговорители, моля, настройте силата на звука или EQ на всеки високоговорител поотделно.

2. Използвайте бутоните за управление на Bluetooth устройството, за да възпроизведете/паузирайте и да навигирате между песните. Алтернативно, управлявайте възпроизвеждането с помощта на бутоните Play/Pause (Възпроизвеждане/Пауза), Next track (Следващата песен) и Previous track (Предишната песен) на главния високоговорител.
3. Натиснете и задръжте бутона Бързо превъртане напред или Превъртане назад на главния високоговорител, за да превъртите бързо напред или назад в рамките на текущата песен. Освободете бутона, когато желаната точка е достигната.

## Изключване на няколко високоговорителя

- За да изключите само един допълнителен високоговорител, натиснете и задръжте бутона Plus на допълнителния високоговорител, който искате да изключите.

- За да прекъснете всички връзки и да излезете от групата с няколко високоговорителя, натиснете и задръжте бутона Plus на главния високоговорител.

## ИЗБОР НА ФУНКЦИЯ ЗА ОСВЕТЛЕНИЕ

1. Натиснете бутона за захранване, за да включите високоговорителя.
2. Натиснете бутона Menu (Меню), след което натиснете бутона Previous Track (Предишна песен), за да влезете в настройките.
3. Натиснете бутона Следваща/Предишна песен, за да изберете желаната функция за осветление. След това натиснете бутона Play/Pause (Възпроизвеждане/Пауза), за да потвърдите избора си. Selecting this



Избирането на тази опция означава, че LED светлината е изключена.



Избирането на тази опция означава, че светодиодната светлина остава постоянно осветена. (По подразбиране)



Избирането на тази опция означава, че LED светлината ще мига в ритъма на музиката. Това е по-ефективно при музика със силен ритъм.

**Забележка:** Тази функция е подходяща за музика със силен ритъм. В противен случай светодиодната светлина може да не мига.

## ФУНКЦИЯ НА ЕКВАЛЙЗЕР

1. Натиснете бутона за включване, за да включите високоговорителя.
2. Натиснете бутона Меню, след което натиснете бутона Възпроизвеждане/Пауза, за да влезете в менюто за избор на еквайзер.
3. Натиснете бутона Next Track (Следваща песен) или Previous Track (Предишна песен), за да изберете желаните режим на еквайзер, или изберете да конфигурирате свой собствен режим на еквайзер. След това натиснете бутона Play/Pause (Възпроизвеждане/Пауза), за да потвърдите избора си. Наличните режими на еквайзер са: “FLAT” (Плосък), “JAZZ” (Джаз), “ROCK” (Рок), “CLASSIC” (Класически), “POP” (Поп), “NEWS” (Новини) и “MY EQ” (Моят еквайзер).

4. Ако в стъпка 3 е избран "MY EQ", използвайте бутоните Next track (Следващата песен), Previous track (Предишната песен) и Play/Pause (Възпроизвеждане/Пауза), за да конфигурирате впоследствие нивата на високите, средните и ниските честоти.

**Забележка:** Ако увеличите силата на звука, като същевременно подчертаете ниските честоти с помощта на еквайзера, може да се появи прашене или изкривяване. В този случай регулирайте силата на звука.

## ВХОД ЗА МИКРОФОН

От дясната страна на високоговорителя е осигурен 6,3-милиметров вход за микрофон, към който можете да свържете микрофон (не е включен в комплекта).

1. Свържете микрофона към входа за микрофон (MIC).
2. Натиснете бутона за захранване, за да включите високоговорителя си.
3. Включете микрофона.
4. С бутоните за увеличаване/намаление на силата на звука настройте желаното ниво.

### **Бележка:**

Не поставяйте микрофона срещу високоговорителя, това може да предизвика ехо от обратна връзка и ще повреди високоговорителя.

## Настройка на силата на звука на микрофона

1. Натиснете бутона за захранване, за да включите високоговорителя.
2. Натиснете бутона Меню, след което натиснете бутона Следваща песен, за да влезете в настройките.
3. Натиснете бутона Next Track (Следваща песен) или Previous Track (Предишна песен), за да изберете желаното ниво на силата на звука на микрофона. След това натиснете бутона Play/Pause (Възпроизвеждане/Пауза), за да потвърдите избора си.

## ПУСКАНЕ НА МУЗИКА ОТ AUX ВХОД

От дясната страна на устройството е осигурен 3,5-милиметров допълнителен вход за аудиосигнал от всякакви устройства, които разполагат със слушалки или аудиоизход, като например MP3 или CD плейър.

1. Свържете източник на стерео или моно аудио (например, MP3 или CD плейър) към допълнителния вход (маркиран с "AUX IN"), и

високоговорителя ще бъде превключен от режим Bluetooth към за режим за допълнително аудио.

2. Регулирайте силата на звука от вашия MP3 или CD плейър, за да се гарантира адекватен сигнал и след това регулирайте силата на звука на високоговорителя до желаното ниво.

### **Забележка:**

В режим AUX IN се препоръчва силата на звука на външното аудиоустройство да се регулира на две трети или повече. След това регулирайте силата на звука на високоговорителя, както е необходимо, за да постигнете оптимално качество на звука. Ако силата на звука на аудиоустройството е настроена на по-ниска стойност от две трети, е възможно светодиодната светлина да не мига.

Дисплеят няма да показва информация, като например заглавие, изпълнител, албуми и др., когато се възпроизвежда музика през допълнителния кабел.

## ПОДДРЪЖКА

### **⚠ ВНИМАНИЕ:**

- **Никога не използвайте газолин, бензин, разредител, алкохол или други подобни. Възможно е да се получи обезцветяване, деформация или пукнатини.**
- **Не мийте високоговорителя с вода.**



## Параметри

Усилвател	
Исходна мощност	14.4V: 15W 18V: 20W 36V: 20W
Честотен отговор	50Hz~20kHz
Aux In	
Входна чувствителност	300mVrms @100Hz
Високоговорител	
Основен високоговорител	140.8mm x 1 6ohm 25W
Малък високоговорител	40mm x 1 6ohm 10W
Пасивен радиатор	100.7mm x 2

Bluetooth®	
(Словната марка Bluetooth® и логото са регистрирани търговски марки, притежавани от Bluetooth SIG, Inc.)	
Bluetooth версия	5.1 Сертифициран
Bluetooth профил	A2DP/SCMS-T/AVRCP
Предавателна мощност	Power Class 1
Обхват на предаване	Оптимален: Макс. 30 метра (100 фута) Възможно: Макс. 100 метра (328 фута) (според ситуацията)
Поддържан кодек	SBC, AAC, aptX™, aptX™ HD
Съвместим Bluetooth профил	A2DP/AVRCP
Максимална честотна мощност на високоговорителя	BT EDR: 4.56dBm BT LE: 4.65dBm
Работна честота	2402MHz~2480MHz

Зареждане през USB кабел	
Максимално подавана мощност през USB	5V, 2.4A

Основни	
АС адаптор за захранване	DC in 18V 2A, center pin positive

Батерия	Плъзгаща батерия: 14.4V 18V 36V
Входна клема	Диаметър 3,5мм (AUX вход) Диаметър 6,3мм (МИКРОФОН)
Размери (W x H x D)	236мм × 205мм × 243мм
Тегло	3.8кг (без батерия)

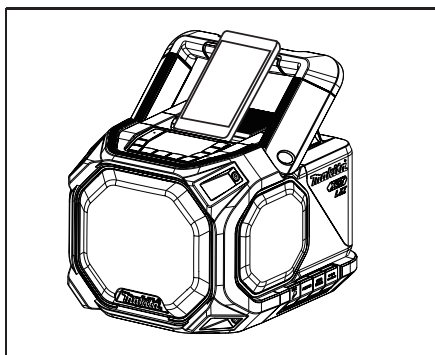
Информация за потребление на енергия	
Изключено състояние	Това устройство няма режим на готовност, а консумацията на енергия в изключено състояние е под 0,3W.
Bluetooth режим	В режим Bluetooth, когато няма изходящ сигнал, консумацията на енергия в този режим на празен ход е под 2W на 15 минути.
AUX режим	В режим AUX, когато няма изходящ сигнал, консумацията на енергия в този режим е под 0,8W след 15 минути.

Компанията си запазва правото да променя параметрите без предизвестие.

## HRVATSKI (Izvorne upute)

### OBJAŠNJENJE OPĆEG IZLEDA (slika 1)

1. Pretinac za baterije
2. Ručica
3. Poklopac odjeljka za bateriju (pokriva uložak za bateriju)
4. Pasivni zvučnik
5. DC utičnici
6. USB utičnica za punjenje
7. Pomoćna ulazna utičnica
8. Utičnica za mikrofon
9. LED svjetlo
10. Zvučnik



11. Utor za postavljanje pametnog telefona
12. LCD zaslon
13. Gumb za povećanje glasnoće
14. Gumb za smanjivanje glasnoće
15. Gumb plus (gumb plus par)
16. L/R gumb
17. Next track/Fast-forward gumb
18. Gumb za reprodukciju/pauzu
19. Previous track/Rewind gumb
20. Gumb izbornika
21. Bluetooth gumb za uparivanje
22. Gumb za uključivanje
23. LXT terminal baterije
24. XGT terminal baterije

### SIMBOLI

Pokazuju simbole koji se koriste za opremu. Budite sigurni da ste razumjeli njihovo značenje prije uporabe.



Pročitajte upute za uporabu.



Samo za zemlje EU.

Zbog prisutnosti opasnih komponenti

u opremi, otpadna električna i elektronička oprema, akumulatori i baterije mogu imati negativan utjecaj na okoliš i zdravlje ljudi.

Ne odlažite električne i elektroničke uređaje ili baterije skupa s kućanskim otpadom!

Sukladno Europskoj direktivi o otpadnoj električnoj i elektroničkoj opremi i akumulatorima i baterijama i otpadnim akumulatorima i baterijama, kao i njihovoj prilagodbi nacionalnom zakonodavstvu, otpadnu električnu opremu, baterije i akumulatore treba odvojeno skladištiti i predati na posebno sabirno mjesto za komunalni otpad koji posluje sukladno propisima o zaštiti okoliša.

Označeno simbolom prekržiene kante za otpatke na opremi.



### Qualcomm® aptX™ HD

Qualcomm aptX proizvod je tvrtke Qualcomm Technologies, Inc. i/ili njezinih podružnica. Qualcomm je zaštitni znak tvrtke Qualcomm Incorporated, registriran u Sjedinjenim Državama i drugim zemljama. aptX je zaštitni znak tvrtke Qualcomm Technologies International, Ltd., registriran u Sjedinjenim Državama i drugim zemljama.

## VAŽNE SIGURNOSNE UPUTE

### ⚠ UPOZORENJE:

Kada koristite električne alate, uvijek treba slijediti osnovne mjere opreza kako bi se smanjio rizik od požara, strujnog udara i tjelesnih ozljeda, uključujući sljedeće:

1. Pročitajte ove upute i upute za uporabu punjača pažljivo prije uporabe.
2. Čistite samo suhom krpom.
3. Nemojte postavljati u blizini izvora topline poput radijatora, grijalica, peći i ostalih uređaja (uključujući i pojačala) koja stvaraju toplinu.
4. Koristite samo one dodatke /prilob koje je naveo proizvođač.
5. Iskopčajte ovaj uređaj tijekom grmljavine ili ako ga ne upotrebljavate dulje vrijeme.
6. Zvučnik s ugrađenim baterijama ili zasebne baterije mogu biti napunjene samo s određenim punjačem za baterije. Punjač koji može biti pogodan za jedan tip baterije može stvoriti opasnost od požara, kada se koristi s drugom baterijom.
7. Zvučnik na baterije koristite samo s posebno

- određenim baterijama. Uporaba bilo kojih drugih baterija može stvoriti opasnost od požara.
8. Kada baterija nije u uporabi, držite je podalje od metalnih objekata kao što su: spajalice, kovance, ključevi, čavli, vijci, ili drugih malih metalnih predmete koji mogu napraviti spoj između jednog kontakta do drugog. Kratki spoj između kontakata baterije može izazvati iskrenje, opekline ili požar.
  9. Izbjegavajte dodir tijela s uzemljenim površinama kao što su cijevi, radijatori, šporeti i hladnjaci. Postoji povećana opasnost od električnog udara ako je vaše tijelo uzemljeno.
  10. Pod destruktivnim uvjetima, tekućina može biti izbačena iz baterija; izbjegavajte kontakt. Ako slučajno dođe do kontakta, isperite vodom. Ako tekućina dođe u kontakt sa očima, potražite liječničku pomoć. Tekućina izbačena iz baterija može izazvati iritaciju ili opekline.
  11. Nemojte koristiti baterije ili alat koji je oštećen ili modificiran. Oštećene ili modificirane baterije mogu pokazivati nepredvidivo ponašanje koje može proizročiti požar, eksploziju ili opasnost od ozljeda.
  12. Nemojte izlagati bateriju ili alat pretjeranoj temperaturi. Izloženost vatri ili temperaturi iznad 130°C (266°F) može izazvati eksploziju.
  13. Slijedite sve upute za punjenje i nemojte puniti bateriju ili alat izvan raspona temperature navedene u uputama. Pogrešno punjenje ili temperature izvan navedenog raspona mogu oštetiti bateriju i povećati opasnost od požara.
  14. Glavni utikač se koristi kao uređaj za isključivanje, i treba biti spreman za rad
  15. Nemojte koristiti proizvod jako pojačan tijekom produženog razdoblja. Kako biste izbjegli oštećenje sluha, koristite uređaj na umjerenom glasnoći.
  16. (Samo za proizvode s LCD displejom) LCD displej sadrži tekućinu koja može izazvati iritaciju i trovanje. Ako tekućina dođe u kontakt sa očima, ustima ili kožom, isperite je vodom i nazovite liječnika.
  17. Ne izlažite proizvod kiši ili vlažnim uvjetima. Voda koja ulazi u proizvod povećava rizik od električnog udara.
  18. Ovaj proizvod nije namijenjen osobama (uključujući djecu) sa smanjenim tjelesnim, senzornim ili mentalnim sposobnostima ili nedostatkom iskustva i znanja, osim ako im je osoba koja je odgovorna za njihovu sigurnost dala nadzor ili uputu o upotrebi proizvoda. Djecu treba nadzirati kako bi se osiguralo da se ne igraju s proizvodom. Spremite proizvod izvan dohvata djece.
  19. Ne zagrijavajte i ne izlažite zvučnik vatri, niti ga ostavljajte na vrućem mjestu, kao što su blizine izvora topline, izloženost izravnoj sunčevoj svjetlosti ili u vozilu pod jakim suncem. To može uzrokovati

- požar ili eksploziju i rezultirati osobnim ozljedama.
20. Opremu postavite ravno na ravnu površinu ili je učvrstite na stabilno mjesto. U protivnom može doći do nezgode pri padu opreme.

## SAČUVAJTE OVE UPUTE

### POSEBNA SIGURNOSNA PRAVILA ZA ULOŽAK BATERIJE

1. Prije uporabe uložka baterije, pročitajte sve upute i mjere opreza na (1) punjaču baterije, (2) bateriji, i (3) proizvodima koji koriste baterije.
2. Nemojte rastavljati uložak baterije.
3. Ako se vrijeme rada pretjerano skratilo, treba odmah prestati s radom. To može dovesti do rizika od pregrijavanja, mogućih opekline, pa čak i eksplozije.
4. Ako elektrolit dospije u oči, isperite ih čistom vodom i odmah potražite liječničku pomoć. To može rezultirati gubitkom vida.
5. Nemojte skraćivati uložak baterije:
  - (1) Nemojte dodirivati kontakte s bilo kakvim vodljivim materijalom.
  - (2) Ne pohranjujte uložak baterije u spremnik s drugim metalnim predmetima poput čavala, kovanica, itd
  - (3) Ne izlažite uložak baterije vodi ili kiši. Kratki spoj baterije može uzrokovati veliki protok struje, pregrijavanje, moguće opekline, pa čak i razgradnju.
6. Alat i baterijski uložak nemojte pohranjivati i koristiti na mjestima na kojima temperatura može doseći ili premašiti 50°C (122°F).
7. Nemojte spaljivati uložak baterije, čak i ako je ozbiljno oštećen ili je potpuno istrošen. Uložak baterije može eksplodirati u vatri.
8. Pazite da ne ispuštite ili udarite bateriju.
9. Nemojte koristiti oštećenu bateriju.
10. Kako biste izbjegli rizik, prije upotrebe pročitajte priručnik o zamjeni baterije.
11. Sadržane litij-ionske baterije podliježu uvjetima o opasnim robama. Za komercijalne transporte, npr. moraju se poštovati posebni zahtjevi za pakiranje i označavanje. Za pripremu predmeta koji se isporučuje, potrebno je konzultirati stručnjaka za opasni materijal. Molimo također obratite pozor na moguće detaljnije nacionalne propise. Zalijepite ili maskirajte otvorene kontakte i zapakirajte bateriju na takav način da se ne može kretati u pakiranju.
12. Priilikom odlaganja baterijskog uložka, izvadite ga iz

- alata i odložite na sigurno. Slijedite lokalne propise koji se odnose na zbrinjavanje baterija.
13. Koristite baterije samo s proizvodima koje odredi Makita. Umetanje baterija u proizvode koji nisu sukladni može rezultirati požarom, prekomjernom toplinom, eksplozijom ili propuštanjem elektrolita.
  14. Ako se uređaj ne koristi duže vrijeme, baterija se mora izvaditi iz uređaja.
  15. Ne dopustite da se strugotine, prašina ili zemlja zaglave u terminalima, otvorima i utorima baterijskog uložka. To može rezultirati slabom izvedbom ili kvarom alata ili baterijskog uložka.
  16. Bateriju čuvajte podalje od djece.
  17. Tijekom i nakon uporabe, baterijski uložak može se zagrijati što može prouzročiti opekline ili opekline nižeg stupnja.
  18. Ne dodirujte terminale alata odmah nakon uporabe jer mogu biti vrući i izazvati opekline.
  19. Osim ako alat nije siguran za uporabu u blizini visokonaponskih električnih vodova, baterijski uložak nemojte koristiti u blizini visokonaponskih električnih vodova. To može dovesti do kvara ili kvara alata ili baterijskog uložka.
  20. Zaštitite bateriju od sljedećeg:
    - zamjena baterije neodgovarajućom vrstom može uništiti zaštitu (primjerice, kod nekih vrsta litijevih baterija);
    - bacanje baterije u vatru ili vruću peć, ili mehaničko lomljenje ili rezanje baterije može dovesti do eksplozije;
    - ostavljanje baterije na mjestu s iznimno visokom temperaturom može rezultirati eksplozijom ili curenjem zapaljive tekućine ili plina; i
    - baterija izložena iznimno niskom tlaku zraka može prouzročiti eksploziju ili curenja zapaljive tekućine ili plina.

**⚠ OPREZ:**

- **Opasnost od eksplozije ako se baterija neispravno zamijeni.**
- **Koristite samo originalne baterije Makita. Korištenje neoriginalnih baterija Makita ili izmijenjenih baterija može dovesti do pregrijavanja baterije koja može prouzročiti požare, osobne ozljede i oštećenja. Također će poništiti Makita jamstvo za Makita alat i punjač.**

## **Savjeti za održavanje maksimalnog trajanja baterije**

1. Puniti baterijski uložak prije nego se potpuno isprazni. Zaustavite rad i napunite baterijski uložak kada primijetite umanjeni rad.
2. Nikad nemojte ponovno puniti potpuno napunjeni baterijski uložak. Prekomjerno punjenje može skratiti vijek trajanja baterije.

# RADNO VRIJEME

\* Odgovarajuće baterije za ovaj zvučnik navedene su u sljedećoj tablici.

\* Sljedeća tablica pokazuje vrijeme rada na jednom punjenju.

Baterijski uložak		Kapacitet baterije	IZLAZNA SNAGA ZVUČNIKA = 100mW Jedinica: sat (približno)			
			Bluetooth		AUX IN	
			LED UKLJUČEN	LED ISKLJUČEN	LED UKLJUČEN	LED ISKLJUČEN
LXT (14.4V)	BL1415N	1.5 Ah	7.0	10	7.5	10
	BL1430B	3.0 Ah	12	16	12	17
	BL1440	4.0 Ah	19	25	20	27
	BL1460B	6.0 Ah	25	34	26	36
LXT (18V)	BL1815N	1.5 Ah	8.0	10	8.5	11
	BL1820B	2.0 Ah	11	14	11	15
	BL1830B	3.0 Ah	15	19	16	20
	BL1840B	4.0 Ah	22	28	22	29
	BL1850B	5.0 Ah	28	36	29	37
	BL1860B	6.0 Ah	34	43	35	45
XGT (36V - 40V maks.)	BL4020	2.0 Ah	19	23	19	24
	BL4025	2.5 Ah	24	30	25	31
	BL4040(F)	4.0 Ah	39	47	40	49

## UPOZORENJE:

**Koristite samo gore navedene baterije. Korištenje svih drugih baterija može uzrokovati ozljede i/ili požar.**

### Napomena:

- Tablica koja se odnosi na vrijeme rada baterije je samo za referencu.
- Stvarno vrijeme rada može se razlikovati od vrste baterije, stanja napunjenosti ili okoline uporabe.
- Neki od gore navedenih spremnika za baterije i punjače možda neće biti dostupni ovisno o regiji u kojoj živite.

# INSTALACIJA I NAPAJANJE

## ⚠ OPREZ:

- Pazite da ne prignječite prste kada otvarate i zatvarate poklopac baterije.
- Vratite spremnik odjeljka za bateriju u izvorni položaj, nakon postavljanja ili uklanjanja spremnika za bateriju. U protivnom, spremnik za bateriju može slučajno ispasti iz zvučnika, uzrokujući ozljede vama ili nekome oko vas.
- Prije premještanja zvučnika uvijek zatvorite i zaključajte pretinac za bateriju.
- Prije instaliranja ili uklanjanja spremnika za bateriju uvijek isključite zvučnik.
- Pazite da ne ispuštite ili udarite zvučnik. Polomljeni omotač može obrezati vaš prst ili vas ubosti. Oštećeni zvučnik može pokazivati nepredvidljivo funkcioniranje koje može dovesti do požara, eksplozije ili ozljeda.
- Čvrsto držite zvučnik i uložak baterije prilikom postavljanja ili uklanjanja baterijskog uložka. Ako zvučnik i uložak baterije ne držite čvrsto, mogu vam iskliznuti iz ruku i rezultirati oštećenjem zvučnika i baterijskog uložka kao i osobnim ozljedama.

## VAŽNO:

- Smanjena snaga, deformiranost, "mucanje" ili ikona niske baterije koja se pojavljuje na zaslonu znakovi su da treba zamijeniti glavnu bateriju.
- Uložak baterije se ne može puniti putem isporučenog AC adaptera.
- Uložak baterije nije uključen u standardni pribor.

## Instaliranje ili uklanjanje klizećeg baterijskog uložka (slika 2-4)

- Da biste instalirali baterijski uložak, poravnajte jezičak na baterijskom uložku s utorom na kućištu i uklizajte ga na mjesto. Umetnite ga sve dok ne sjedne na mjesto i čujete klik.
- Ako na gornjoj strani gumba vidite crveni indikator, to znači da nije potpuno zatvoren. Umetnite ga do kraja dok crveni indikator ne bude vidljiv. Ako ne, može slučajno pasti sa zvučnika i uzrokovati ozljede vama ili nekome oko vas.
- Ne koristite silu pri umetanju baterijskog uložka. Ako uložak ne ukliza lako, to znači da nije ispravno umetnut.
- Da biste uklonili uložak s baterijom, gurnite ga iz zvučnika uz istovremeni pritisak gumba na prednjoj strani uložka.



















## Pokazivanje preostalog kapaciteta baterije (slika 5-6)

**Samo za baterijske uložke s indikatorom**

## ➤ 1. Indikatorska lampica 2. Gumb provjere

Pritisnite gumb provjere na baterijskom ulošku da bi vidjeli preostali kapacitet baterije. Indikator svjetla će svijetliti nekoliko sekundi.

### • XGT/LXT baterijski uložak

Indikatorska lampica			Preostali kapacitet
 Osvijetljen	 Isključeno	 Treperenje	
			75% ~ 100%
			50% ~ 75%
			25% ~ 50%
			0% ~ 25%
			Napunite bateriju
			Baterija može imati kvar
			

### OPASKA:

- Ovisno o uvjetima uporabe i temperaturi okoline, oznaka se može malo razlikovati od stvarnog kapaciteta.
- Prva (krajnja lijeva) indikatorska lampica treperi kada sustav zaštite baterije radi.
- Ukoliko je razina baterije niska, zamijenite je.

## Korištenje isporučenog AC adapter

Uklonite gumenu zaštitnik i umetnite utikač adaptera u DC utičnicu na desnoj strani zvučnika. Priključite adapter u standardnu mrežnu utičnicu. Kad god se koristi adapter, baterija se automatski isključuje.

### ⚠ OPREZ:

- **Uvijek odspojite AC adapter u potpunosti prije premještanja zvučnika. Ako AC adapter nije uklonjen, to može uzrokovati strujni udar.**
- **Nikada ne vucite i/ili povlačite kabel adaptera. U protivnom, zvučnik može slučajno pasti i uzrokovati ozljede vama ili osobama oko vas.**

### VAŽNO:

- Da biste isključili zvučnik, mrežni adapter treba u potpunosti ukloniti iz utičnice.
- Koristite isporučeni mrežni adapter isporučen s proizvodom ili koji je odobren od Makita proizvođača.
- Nemojte držati kabel napajanja i priključak u ustaima. To može uzrokovati strujni udar.
- Nemojte dirati utikač mokrim ili masnim rukama.
- Oštećeni ili isprepleteni kabeli povećavaju rizik od električnog udara. Ako je kabel oštećen, zamijenite

ga u našem ovlaštenom servisu kako biste izbjegli sigurnosne opasnosti. Nemojte ga koristiti prije popravke.

- Nakon uporabe uvijek držite mrežni adapter izvan dometa djece. Ako se djeca igraju s kabelom, mogu se povrijediti.

## USB utičnica za napajanje

Ova utičnica može da se koristiti za punjenje mobitela ili bilo kojih drugih uređaja koji koriste manje od 2.4A od istosmjernje struje. Punjenje je moguće samo kada je zvučnik uključen.

**Napomena:** Provjerite specifikacije vaših vanjskih uređaja, da li je player mobilnog telefona kompatibilan sa zvučnikom. Prije punjenja pročitajte upute za uporabu svog vanjskog uređaja.

### VAŽNO:

- Prije spajanja USB uređaja na punjač, uvijek napravite rezervnu kopiju podataka sa USB uređaja. Inače Vaši podaci mogu biti izgubljeni pod raznim okolnostima.
- Punjač ne može napajati neke USB uređaje.
- Kad ne koristite ili nakon punjenja, odspojite USB kabel i zatvorite poklopac.
- Ne spajajte izvor napajanja na USB priključak. U protivnom postoji opasnost od požara. USB priključak namijenjen je samo za punjenje uređaja nižeg napona. Uvijek stavite poklopac na USB port, kada ne punite uređaje nižeg napona.
- Nemojte umetati čavao, žicu, itd u USB priključak za napajanje. Inače kratki spoj može izazvati dim i vatru.
- Nemojte spajati USB priključak s USB portom računala, jer je vrlo moguće da to može izazvati kvar jedinica.

## SLUŠANJE GLAZBE PUTEM BLUETOOTH VEZE

Za reprodukciju/streamanje Bluetooth glazbe preko zvučnika, potrebno je da uparite Bluetooth uređaj sa zvučnikom kako biste omogućili automatsko povezivanje.

### Opaska:

Da biste imali bolju kvalitetu zvuka, preporučujemo da postavite glasnoću na razinu više od dvije trećine na Bluetooth uređaju, a zatim podesite glasnoću na zvučniku prema potrebi. Ova operacija vrijedi samo kada Bluetooth uređaj ne koristi maksimalnu razinu glasnoće.

## Uparivanje Bluetooth uređaja prvi put

1. Pritisnite gumb za napajanje da biste uključili zvučnik. Na zaslonu će se prikazati "Pairing" koje pokazuje da se zvučnik može otkriti.

2. Aktivirajte Bluetooth na svom uređaju u skladu s korisničkim priručnikom uređaja za povezivanje sa zvučnikom. Pronađite popis Bluetooth uređaja i odaberite uređaj s nazivom "MR014G" (kod nekih mobitela koji su opremljeni ranijim verzijama od BT2.1 Bluetooth uređaja, možda ćete morati unijeti šifru "0000").
3. Nakon spajanja oglasit će se zvuk potvrde. Na zaslonu će se pojaviti poruka "Paired". Jednostavno možete odabrati i reproducirati bilo koju glazbu s izvornog uređaja. Kontrola glasnoće može se podesiti s vašeg izvornog uređaja ili izravno sa zvučnika.
4. Koristite tipke na vašem Bluetooth uređaju ili na zvučniku za reprodukciju/stanku i navigaciju između pjesama.

### Opaska:

- Ako uparujete 2 Bluetooth uređaja, po prvi put, i oba traže zvučnik, dostupnost će biti prikazana na oba uređaja. Međutim, ako je jedan uređaj već povezan s ovim uređajem, drugi Bluetooth uređaj neće se naći na popisu.
- Ako vaš Bluetooth uređaj privremeno nije spojen na zvučnik, onda morate ručno ponovno da spojite uređaj na zvučnik.
- Ako se "MR014G" prikazuje na popisu Bluetooth uređaja, ali uređaj ne može da se poveže s njim, izbrisite stavku s popisa i uparite uređaj s zvučnikom opet, slijedeći prethodno opisane korake.
- Optimalni raspon Bluetooth prijenosa je približno 30 metara (100 stopa), ali je udaljenost do 100 metara (328 stopa) moguća.
- Ako se Bluetooth veza prekine zbog prekoračenja vremena razdvajanja, prekoračenja optimalne udaljenosti, prepreka ili na drugi način, možda će biti potrebno ponovno povezivanje uređaja sa zvučnikom.
- Fizičke prepreke, drugi bežični uređaji ili elektromagnetski uređaji mogu utjecati na kvalitetu veze.
- Performanse Bluetooth povezivosti mogu se razlikovati ovisno o spojenom Bluetooth uređaju. Molimo pogledajte Bluetooth mogućnosti uređaja prije spajanja na zvučnik. Sve značajke možda neće biti podržane na nekim uparenim Bluetooth uređajima.

## Reproduciranje audio datoteka u Bluetooth načinu rada

Kada ste uspješno povezali zvučnik s odabranim Bluetooth uređajem možete početi reproducirati glazbu pomoću kontrola na povezanom Bluetooth uređaju.

1. Nakon što je reprodukcija započela podesite glasnoću na željenu jačinu pomoću tipki glasnoće na zvučniku ili na vašem omogućenom Bluetooth uređaju.
2. Upotrijebite kontrole na Bluetooth uređaju za reprodukciju/pauzu i navigaciju po pjesmama.

Alternativno, upravljajte reprodukcijom pomoću gumba Play/Pause, Next track i Previous track na vašem zvučniku.

3. Pritisnite i držite Play/Pause, Next track i Previous track tipke za pomicanje kroz trenutni zapis. Otpustite gumb kada dostignete željenu točku.

#### Opaska:

- Sve aplikacija playera ili uređaja mogu odgovoriti na sve te kontrole.
- Neki mobilni telefoni mogu se privremeno odspojiti sa zvučnika kada upućujete ili primate pozive. Neki uređaji mogu privremeno isključiti Bluetooth audio streaming prilikom primanja SMS poruka, e-pošte ili drugih razloga nevezanih za audio streaming. Takvo ponašanje je funkcija spojenog uređaja i ne znači kvar vašeg zvučnika.
- Tijekom reprodukcije u Bluetooth načinu, na zaslonu će se prikazati informacije o zapisu, poput naslova, izvođača, albuma itd.,

### Reprodukcija sa prethodno uparenog Bluetooth uređaja

Zvučnik može upamtiti do 8 uparenih uređaja. Kada memorija premaši taj iznos, najstarija povijest uparivanja bit će izbrisana. Ako je vaš Bluetooth uređaj već bio uparen s zvučnikom ranije, uređaj će zapamtiti Vaš Bluetooth uređaj i pokušati da se ponovno poveže s uređajem u memoriji koji je posljednji bio povezan tijekom 1 minute. Ako posljednji povezani uređaj nije dostupan, zvučnik će biti vidljiv.

### Isključivanje Bluetooth uređaja

Pritisnite i držite gumb Bluetooth uparivanja 2-3 sekunde dok se na zaslonu ne prikaže "Pairing" kako biste prekinuli vezu s Bluetooth uređajem ili isključili Bluetooth na Bluetooth uređaju.

### Brisanje uparenog Bluetooth uređaja iz memorije

Za brisanje memorije svih uparenih uređaja pritisnite i držite gumb Bluetooth uparivanja više od 7 sekundi dok se na zaslonu ne pokaže "Reset".

## TRUE WIRELESS STEREO (TWS) FUNKCIJA

True wireless stereo (TWS) je značajka koja omogućuje jednom uređaju bežično povezivanje s drugim uređajem. Pomoću TWS funkcije možete ga spojiti na drugi MR014G i reproducirati glazbu preko dva zvučnika.

### Postavljanje prvog zvučnika

1. Provjerite je li prvi zvučnik u načinu rada Bluetooth i spojite se na Bluetooth uređaj.

2. Pritisnite tipku Plus, na zaslonu će se prikazati

**[ST] • [MULTI] • [ST]** treptat će na zaslonu. Pritisnite gumb Plus za ulazak u način rada "ST Pair". Ako se 10 sekundi ne pritisnu tipke, zvučnik će također ući u način rada "ST Pair". Na zaslonu će se prikazati "ST Pair".

### Postavljanje drugog zvučnika

1. Provjerite je li drugi zvučnik u načinu rada Bluetooth i da nije povezan s Bluetooth uređajem.
2. Pritisnite tipku Plus, na zaslonu će se prikazati

**[ST] • [MULTI] • [ST]** treptat će na zaslonu. Press the Plus button to enter the "ST Pair" mode. Ako se 10 sekundi ne pritisnu tipke, zvučnik će također ući u način rada "ST Pair". Na zaslonu će se prikazati "ST Pair".

Kad je zvučnik uspješno spojen, **[L - [ST] - R]** prikazat će se na oba zaslona istovremeno.

**Napomena:** Postavite drugi zvučnik u roku od 1 minute. Ako ga ne postavite u roku od jedne minute, postavka prvog zvučnika će se poništiti.

### Pokrenite reprodukciju

1. Pokrenite reprodukciju na spojenom Bluetooth uređaju i podesite glasnoću na Bluetooth uređaju ili nekom od zvučnika za ugodno slušanje.

**Napomena:** Podešavanje glasnoće ili EQ-a jednog zvučnika odražava se na drugom.

2. Upotrijebite kontrole na Bluetooth uređaju za reproduciranje/pauzu i navigaciju po pjesmama. Alternativno, upravljajte reprodukcijom pomoću gumba Play/Pause, Next track i Previous track na jednom od zvučnika.
3. Pritisnite Fast-forward gumb ili Rewind gumb na jednom od zvučnika kako biste se pomakli kroz trenutačnu pjesmu. Otpustite gumb kada dostignete željenu točku.

### Prebacivanje audio načina

1. Korištenjem dva zvučnika možete se prebaciti između **[L - [ST] - R]**, **[R - [ST] - R]** i **[L - [ST] - L]** načina.
2. Pritisnite L/R gumbna bilo kojem od zvučnika za promjenu audio načina.
3. **[L - [ST] - R način:** Oba zvučnika reproduciraju isti zvuk. To je početna postavka.
4. **[R - [ST] - R]** i **[L - [ST] - L način:** Jedan zvučnik reproducira zvuk na desnom kanalu, dok drugi zvučnik reproducira zvuk na lijevom kanalu za stereo reprodukciju između zvučnika.

### Isključivanje funkcije TWO

Pritisnite i držite tipku Plus za isključivanje funkcije TWS.



# UŽIVAJTE U BEŽIČNOJ REPRODUKCIJI KORIŠTENJEM VIŠE ZVUČNIKA

Možete istovremeno uživati u glazbi kombinirajući do 10 uređaja koji su kompatibilni s ovom funkcijom.

## Postavljanje prvog zvučnika

1. Provjerite je li prvi zvučnik u načinu rada Bluetooth i spojite se na Bluetooth uređaj.
2. Pritisnite tipku Plus, i na zaslonu će se prikazati **[ST] • [MULTI]**.
3. Odaberite **[MULTI]** pritiskom L/R gumba. **[MULTI]** će treptat na zaslonu. Pritisnite gumb Plus za ulazak u način rada "MULTI Pair". Ako 10 sekundi ne pritisnete nijednu tipku, zvučnik će također ući u način "MULTI Pair". Na zaslonu će se prikazati "MULTI Pair".

## Postavljanje drugog zvučnika

1. Provjerite nalazi li se drugi zvučnik u načinu rada Bluetooth.
2. Pritisnite tipku Plus, i na zaslonu će se prikazati **[ST] • [MULTI]**.
3. Odaberite **[MULTI]** pritiskom L/R gumba. **[MULTI]** će treptat na zaslonu. Pritisnite gumb Plus za ulazak u način rada "MULTI Pair". Ako 10 sekundi ne pritisnete nijednu tipku, zvučnik će također ući u način "MULTI Pair". Kada su zvučnici uspješno spojeni, na zaslonu prvog zvučnika prikazat će se "PARENT" (što označava glavni zvučnik), a na zaslonu drugog zvučnika će se prikazati "CHILD" (što označava sekundarni zvučnik).

**Napomena:** Postavite drugi zvučnik u roku od 1 minute nakon prvog. Prilikom dodavanja novog sekundarnog zvučnika, ponovno će se računati 1 minuta.

## Dodavanje novog sekundarnog zvučnika

Ako želite spojiti treći zvučnik ili više novih zvučnika, slijedite ove korake:

1. Pobrinite se da je novi zvučnik u načinu rada Bluetooth "Pairing".
2. Pritisnite gumb Plus na glavnom zvučniku i na zaslonu će se prikazati "MULTI ADD".
3. Pritisnite gumb Plus na novom zvučniku i na zaslonu će se prikazati **[ST] • [MULTI]**.
4. Odaberite **[MULTI]** pritiskom L/R gumba. **[MULTI]** će treptat na zaslonu. Pritisnite gumb Plus za ulazak u način rada "MULTI Pair". Ako 10 sekundi ne pritisnete nijednu tipku, zvučnik će također ući u način "MULTI Pair". Kada su zvučnici uspješno spojeni, "CHILD"

(označava sekundarni zvučnik) bit će prikazan na novom zvučniku.

## Pokretanje reprodukcije

1. Pokrenite reprodukciju na spojenom Bluetooth uređaju i prilagodite glasnoću na Bluetooth uređaju ili zvučnicima za ugodno slušanje. Ista glazba svira iz svih zvučnika.  
**Napomena:** Samo za glavni zvučnik, podešavanje glasnoće ili EQ bit će sinkronizirano s ostalim zvučnicima. Za ostale zvučnike podesite glasnoću ili EQ pojedinačno za svaki zvučnik.
2. Upotrijebite kontrole na Bluetooth uređaju za reproduciranje/pauzu i navigaciju po pjesmama. Alternativno, upravljajte reprodukcijom pomoću Play/Pause, Next track i Previous trackb na glavnom zvučniku.
3. Pritisnite i držite Fast forward ili Rewind gumb na glavnom zvučniku za kretanje kroz trenutnačnu pjesmu. Otpustite gumb kada dostignete željenu točku.

## Odspajanje više zvučnika

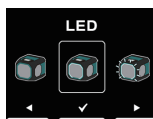
- Da biste isključili samo jedan sekundarni zvučnik, pritisnite i držite tipku Plus sekundarnog zvučnika koji želite isključiti.
- Da biste prekinuli sve veze i izašli iz grupe s više zvučnika, pritisnite i držite tipku Plus glavnog zvučnika.

## ODABIR FUNKCIJA OSVJETLJENJA

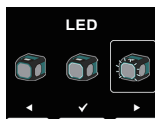
1. Pritisnite gumb za uključivanje kako biste uključili zvučnik.
2. Pritisnite gumb Menu, zatim pritisnite gumb Previous Track za ulazak u postavke.
3. Pritisnite gumb Next Track ili Previous Track za odabir željene funkcije osvjetljenja. Pritisnite gumb Play/Pause za potvrdu odabira.



Odabir ove opcije označava da je LED svjetlo isključeno.



Odabir ove opcije označava da LED svjetlo neprekidno svijetliti. (zadana postavka)



Odabir ove opcije označava da LED svjetlo bljeska u ritmu glazbe. Učinkovitije s glazbom koja ima jak ritam.

**Napomena:** Ova je značajka prikladna za glazbu s jakim ritmom. U protivnom, LED svjetlo možda neće treperiti.

## EQUALIZER FUNKCIJA

1. Pritisnite gumb za uključivanje da biste uključili zvučnik.
2. Pritisnite gumb Menu, zatim pritisnite gumb Play/Pause za ulazak u izbornik za odabir EQ-a.
3. Pritisnite gumb Menu, zatim pritisnite gumb Next Track ili Previous Track za odabir željenog načina rada ekvilizatora ili odaberite konfiguraciju vlastitog načina rada ekvilizatora. Zatim pritisnite gumb Play/Pause za potvrdu odabira. Dostupni načini ekvilizatora su: "FLAT", "JAZZ", "ROCK", "CLASSIC", "POP", "NEWS" i "MY EQ". Pritisnite gumb Play/Pause za ulazak u izbornik za odabir EQ-a.
4. Ako se u koraku 3 odabere "MY EQ", upotrijebite gumb Next track, Previous track i gumb Play/Pause za naknadnu konfiguraciju razina visokih, srednjih tonova i basova.

**Napomena:** Ako povećate glasnoću dok naglašavate bas pomoću ekvilizatora, može doći do zvuka pucketanja ili izobličenog zvuka. U tom slučaju podesite glasnoću.

## PRIKLJUČAK ZA MIKROFON

Priključak za mikروفon od 6,3mm nalazi se s desne strane zvučnika koji služi za spajanje mikrofona (nije isporučen).

1. Spojite mikروفon u priključak za mikروفon (MIC).
2. Pritisnite gumb za uključivanje kako biste uključili zvučnik.
3. Isključite mikروفon.
4. Kako biste podesili željenu razinu glasnoće pritisnite tipke za pojačavanje/stišavanje glasnoće na zvučniku.

### **Napomena:**

Ne stavljajte mikروفon pored zvučnika jer to može prouzročiti povratnu jeku i oštetiti zvučnik.

## Podešavanje glasnoće mikrofona

1. Kako biste uključili zvučnik pritisnite gumb za uključivanje.
2. Pritisnite gumb Menu, a zatim pritisnite gumb Next Track za ulazak u postavke.
3. Press Pritisnite gumb Next Track ili Previous Track

za odabir željene razine glasnoće mikrofona. Zatim pritisnite tipku Play/Pause za potvrdu odabira.

## REPRODUCIRANJE GLAZBE PREKO POMOĆNE ULAZNE UTIČNICE

Pomoćna ulazna utičnica od 3,5mm nalazi se s desne strane jedinice za prijenos audio signala iz bilo kojeg uređaja koji ima slušalice ili audio izlaz, kao što su MP3 ili CD player.

1. Spojite stereo ili mono audio izvor (na primjer, MP3 ili CD uređaj) na utičnicu pomoćnog ulaza (označeno s "AUX IN"), zvučnik će se prebaciti s Bluetooth na način pomoćnog ulaza.
2. Podesite kontrolu glasnoće na MP3 ili CD uređaju kako biste osigurali odgovarajući signal, a zatim podesite glasnoću zvučnika za ugodno slušanje.

### **Napomena:**

U načinu rada AUX IN, preporuča se postaviti glasnoću vanjskog audio uređaja na dvije trećine ili više. Zatim je potrebno prilagoditi glasnoću zvučnika kako bi se postigla optimalna kvaliteta zvuka. Ako je glasnoća audio uređaja postavljena na nižu od dvije trećine, moguće je da LED svjetlo neće treptati.

Na zaslonu se ne prikazuju informacije poput naslova, izvođača, albuma itd. kad se reproduciraju putem pomoćnog ulaza.

## ODRŽAVANJE

### **⚠ OPREZ:**

- Nikada nemojte koristiti benzin, benzen, razrjeđivač, alkohol ili slično. To može rezultirati promjenama boje, deformacijama ili pukotinama.
- Ne perite zvučnik vodom.

## SPECIFIKACIJE

Pojačalo	
Izlazna snaga	14.4V: 15W 18V: 20W 36V: 20W
Frekvencijski odziv	50Hz~20kHz
Aux In	
Ulazna osjetljivost	300mVrms @100Hz
Zvučnik	
Glavni zvučnik	140.8mm x 1 6ohm 25W
Visokotonski zvučnik	40mm x 1 6ohm 10W
Pasivni radiator	100,7mm x 2

Bluetooth®	
(The Bluetooth® robna marka i logo je su registrirani kao robne marke u vlasništvu Bluetooth SIG, Inc.)	
Bluetooth verzija	5.1 Certificirani
Bluetooth profil	A2DP/SCMS-T/AVRCP
Prijenos snage	Napajanja Klasa 1
Raspon prijena	Optimalni: Max.30 metara (100 stope) Mogući: Max.100 metara (328 stopa) (u zavisnosti od uslova u kojima se koristi)
Podržani kodek	SBC, AAC, aptX™, aptX™ HD
Kompatibilni Bluetooth profil	A2DP/AVRCP
Maksimalna snaga frekvencije zvučnika	BT EDR: 4.56dBm BT LE: 4.65dBm
Opseg radne frekvencije	2402MHz~2480MHz

USB utičnica za punjenje	
Maksimalna opskrba snaga USB utičnice	5V, 2.4A

Opće	
AC mrežni adapter	DC in 18V 2A, pozitivna centralna igla

Baterija	Klizna baterija: 14.4V 18V 36V
Ulazni priključak	promjer 3,5mm (AUX IN) promjer 6,3mm (MIKROFON)
Dimenzije (Š x V x D)	236mm × 205mm × 243mm
Težina	3.8KG (bez baterije)

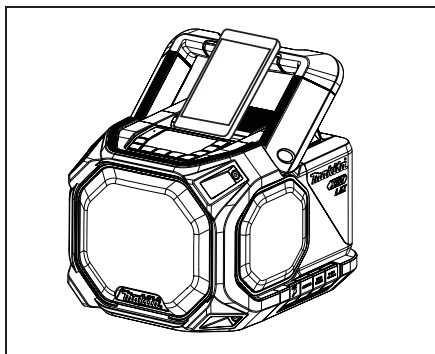
Informacije o potrošnji električne energije	
Isključen način rada	Ovaj uređaj nema opciju stanja mirovanja, a njegova potrošnja energije u isključenom stanju je ispod 0,3W.
Bluetooth način rada	U Bluetooth načinu rada, kada nema izlaznog signala, potrošnja električne energije u mirovanju u ovom načinu rada ispod je 2W nakon 15 minuta.
AUX način rada	U AUX načinu rada, kada nema izlaznog signala, potrošnja električne energije u mirovanju u ovom načinu rada ispod je 0,8W nakon 15 minuta.

Tvrтка zadržava pravo izmjene specifikacija bez prethodne obavijesti.

## МАКЕДОНСКИ (Оригинални упатства)

### ОБЈАСНУВАЊЕ НА ОПШТ ПРИКАЗ (Сл. 1)

1. Брава на просторот за батерија
2. Рачка
3. Капак на дел за батерија (кој ја покрива батеријата)
4. Пасивен звучник
5. Приклучница за еднонасочна струја
6. Приклучница за USB полнење
7. Приклучница за помошен влез
8. Приклучница за микрофон
9. LED светилка
10. Звучник
11. Вдлабнатина за поставување паметен телефон



12. LCD екран
13. Копче за зголемување јачина на звук
14. Копче за намалување јачина на звук
15. Копче Плус (копче за плус спарување)
16. Копче L/R
17. Копче за следна нумера/брзо премотување напред
18. Копче за Репродукција/Пауза
19. Копче за претходна нумера/премотување наназад
20. Копче Мени
21. Копче за спарување со Bluetooth
22. Копче за напојување
23. Терминал за LXT батерија
24. Терминал за XGT батерија

## СИМБОЛИ

Следното ќе ги прикаже симболите што се користат за опремата. Осигурете се дека сте го разбрале



нивното значење пред употребата.



Прочитајте го упатството за работа. Само за земји на ЕУ.

Поради присуство на опасни компоненти во опремата, фрлањето на електрична и електронска опрема, акумулатори и батерии може да има негативно влијание врз животната средина и човековото здравје. Не фрлајте електрични и електронски уреди или батерии со отпад од домаќинство!

Во согласност со Европската директива за фрлање електрична и електронска опрема и за акумулатори и батерии и фрлање акумулатори и батерии, како и нивно прилагодување на националните закони, отпадната електрична опрема, батерии и акумулатори треба одделно да се складираат и да се однесат на одделна точка за собирање за општински отпад, која функционира во согласност со прописите за заштита на животната средина.

Ова е наведено со симболот на пречкртана канта за отпадоци со тркала поставена на опремата.



### Qualcomm® aptX™ HD

Qualcomm aptX е производ на Qualcomm Technologies, Inc. и/или неговите подружници. Qualcomm е трговска марка на Qualcomm Incorporated, регистрирана во Соединетите Држави и други земји. aptX е трговска марка на Qualcomm Technologies International, Ltd., регистрирана во Соединетите Држави и други земји.

## ВАЖНИ УПАТСТВА ЗА БЕЗБЕДНОСТ

### ⚠ ПРЕДУПРЕДУВАЊЕ:

Кога користите електрични уреди, секогаш треба да се следат основните предупредувања за безбедност за да се намали ризикот од пожар, струен удар и лична повреда, вклучувајќи го следното:

1. Прочитајте го ова упатство за употреба и упатството за употреба на полначот внимателно пред употребата.
2. Чистете само со сува крпа.
3. Не инсталирајте го во близина на какви било

- извори на топлина како што се радијатори, уреди за централно греење, печки, или други апарати (вклучувајќи засилувачи) што создаваат топлина.
4. Користете само додатоци/приборпосочени од производителот.
  5. Извадете го од приклучок апаратот при бури со молњи или кога не се користи долги временски периоди.
  6. Интегрираните батерии или издвоената батерија на кои работи звучникот мора да се полнат само со наведениот полнач за батерии. Полнач што може да е соодветен за еден тип на батерии може да создаде ризик од пожар кога се користи со друга батерија.
  7. Користете звучник кој работи на батерии само со конкретно одредените батерии. Користење на какви било други батерии може да доведе до ризик од пожар.
  8. Кога батеријата не се користи, чувајте ја настрана од други метални предмети како што се: спојувалки за хартија, парички, клучеви, шајки, шрафови, или други мали метални предмети што може да предизвикаат поврзување на едниот пол на батеријата со другиот. Предизвикувањето на краток спој на двата пола на батеријата може да предизвикаат искрење, изгореници или пожар.
  9. Избегнувајте телесен контакт со заземјени површини како цевки, радијатори, електрични шпореџи и фрижидери. Постои зголемен ризик од струен удар ако вашето тело е заземјено.
  10. Под насилни услови, може да дојде до истекување на течност од батеријата; избегнувајте контакт. Ако несакано дојде до контакт, исплакнете со вода. Ако течноста дојде во контакт со очите, дополнително побарајте медицинска помош. Течноста што истекла од батеријата може да предизвика иритација или изгореници.
  11. Не користете батерија или алат што се оштетени или модификувани. Оштетени или модификувани батерии може да предизвикаат непредвидливо однесување што може да доведе до пожар, експлозија или ризик од повреда.
  12. Не изложувајте ја батеријата или алатот на оган или на исклучително висока температура. Изложувањето на оган или температури над 130°C (266°F) може да предизвика експлозија.
  13. Следете ги сите упатства за полнење и не полнете ја батеријата или алатот надвор од температурниот опсег наведен во упатствата. Несоодветното полнење или на температури надвор од наведениот опсег може да ја оштети батеријата и да го зголеми ризикот од пожар.
  14. Приклучникот за напојување се користи како уред за исклучување и треба да биде постојано функционален.
  15. Не користете го овој производ со силен звук подолг временски период. За да избегнете оштетување на слухот, користете го производот со умерено ниво на звук.
  16. (Само за производи со LCD дисплеј) LCD дисплеите содржат течност што може да предизвика иритација и труење. Ако течноста навлезе во очите, устата или кожата, исплакнете со вода и јавете се на лекар.
  17. Не изложувајте го производот на дожд или влажни услови. Водата што влегува во производот ќе го зголеми ризикот од струен удар.
  18. Овој производ не е наменет за употреба од страна на лица (вклучувајќи деца) со намалени физички, сензорни или ментални способности, или со недостаток на искуство и знаење, освен ако истите не се под надзор или не им се дадени упатства во врска со употребата на производот од лице одговорно за нивната безбедност. Децата треба да бидат под надзор за да се осигури дека не играат со производот. Чувајте го производот подалеку од дофат на деца.
  19. Не загревајте го и не изложувајте го звучникот на оган и не оставајте го на жешко место како на пример во близина на извор на топлина, изложен на директна сончева светлина или внатре во возило под жешко сонце. Доколку направите така може да настане пожар или експлозија и да доведе до лична повреда.
  20. Ставете ја опремата на рамна, права површина или осигурете ја опремата на стабилна локација. Во спротивно, може да се случи незгода со паѓање.

## ЗАЧУВАЈТЕ ГИ ОВИЕ УПАТСТВА

### КОНКРЕТНИ ПРАВИЛА ЗА БЕЗБЕДНОСТ НА БАТЕРИЈАТА

1. Пред да ја користите батеријата, прочитајте ги сите упатства и ознаки за внимателност на (1) полначот за батерија, (2) батеријата и (3) производот што ја користи батеријата.
2. Не расклопувајте ја батеријата.
3. Ако времето на работење стане значително пократко, веднаш престанете со работење. Тоа може да доведе до ризик од прегревање, можни изгореници па дури и експлозија.
4. Ако ви навлезе електролит во очите, исплакнете ги со чиста вода и веднаш побарајте медицинска

- помош. Тоа може да доведе до загуба на вашиот вид.
5. Не предизвикувајте краток спој на батеријата:
    - (1) Не допирајте ги половите со каков било материјал што е проводник.
    - (2) Избегнувајте чување на батеријата во сад со други метални предмети како шајки, парички и сл.
    - (3) Не изложувајте ја батеријата на вода или дожд. Краткиот спој на батеријата може да предизвика голем проток на струја, прегревање, можни изгореници па дури и распаѓање.
  6. Не складирајте го и не користете го алатот и батеријата на места каде температурата може да достигне или надмине 50°C (122°F).
  7. Не палете ја батеријата дури и ако е сериозно оштетена или е потполно истрошена. Батеријата може да експлодира во оган.
  8. Внимавајте батеријата да не ви падне или да не ја удри.
  9. Не употребувајте оштетена батерија.
  10. За да се избегне ризикот, треба да се прочита упатството за замена на батеријата пред употребата.
  11. Литиум јонските батерии што се користат се подложни на барањата на легислативата за опасни стоки. За трговски транспорти како на пр. од други лица, шпедитери, мора да се следат посебни барања за поминат рок на пакувањето и означување.
 

За подготовка на производот за испорака, потребно е консултирање на експерт за опасни материјали. Ве молиме исто така следете ги веројатно подеталните национални прописи. Залепете ги со трака или изолирајте ги отворените полови и спакувајте ја батеријата на таков начин за да не може да се движи низ пакувањето.
  12. Кога ја фрлате батеријата, извадете ја од алатот и фрлете ја на безбедно место. Следете ги локалните прописи кои се однесуваат на фрлање на батерија.
  13. Користете ги батериите само со производителите посочени од Makita. Инсталирањето на батериите на несоодветни производи може да предизвика пожар, прекумерна топлина, експлозија или истекување на електrolити.
  14. Ако алатот не се користи долг временски период, батеријата мора да се извади од алатот.
  15. Не дозволувајте струготини, прав или земја да заглави во терминалите, отворите и жлебовите на батеријата. Тоа може да резултира со слабо работење или расипување на алатот или батеријата.
  16. Чувајте ја батеријата подалеку од деца.
  17. Во текот и по користењето, батеријата може да се загрее што може да предизвика изгореници или изгореници од ниска температура.
  18. Не допирајте го терминалот на алатот веднаш по користењето бидејќи истиот може да се стане доволно жежок за да предизвика изгореници.
  19. Освен ако алатот не поддржува користење во близина на високонапонски линии за пренос на електрична енергија, не користете ја батеријата во близина на високонапонски линии за пренос на електрична енергија. Тоа може да доведе до неправилно работење или расипување на алатот или батеријата.
  20. Заштитете ја батеријата од следниве состојби:
    - замена на батерија со неправилен тип што може да ги поништи безбедносните мерки (на пример, во случај на некои типови на литиумски батерии);
    - фрлање на батерија во оган или жешка печка, или механичко кршење или сечење на батеријата, што може да доведе до експлозија;
    - оставање на батеријата во опкружување со екстремно висока температура што може да доведе до експлозија или истекување на запалива течност или гас; и
    - батерија подложна на екстремно нисок воздушен притисок што може да доведе до експлозија или истекување на запалива течност или гас.

#### **⚠ ВНИМАНИЕ:**

- Опасност од експлозија ако батеријата е неправилно заменета.
- Користете само оригинални батерии Makita. Користењето на неоригинални батерии Makita, или батерии што се изменети може да доведе до експлозија на батеријата предизвикувајќи пожар, лична повреда и штета. Тоа исто така ќе ја поништи гаранцијата на Makita за алатот и полначот Makita.

#### **Совети за одржување на максимален век на траење на батеријата**

1. Сменете ја батеријата пред потполно да се испразни. Секогаш запирајте со работа со алатот и сменете ја батеријата кога ќе забележите помала моќност на алатот.
2. Никогаш не полнете целосно наполнета батерија. Прекумерното полнење го скратува работниот век на батеријата.
3. Полнете ја батеријата на собна температура на 10°C - 40°C (50°F - 104°F). Дозволете жешката батерија да се олади пред да ја полните.

4. Кога не ја користите батеријата, извадете ја од алатот или полначот.
5. Наполнете ја батеријата ако не ја користите долг период (повеќе од шест месеци).

## ВРЕМЕ НА РАБОТЕЊЕ

\* Соодветната батерија за овој звучник е наведена во следнава табела.

\* Следнава табела го покажува времето на работење со едно полнење.

Батерија		Капацитет на батерија	НА ИЗЛЕЗ НА ЗВУЧНИК = 100mW Единица: Час (приближно)			
			Bluetooth		AUX IN	
			LED ВКЛУЧЕНО	LED ИСКЛУЧЕНО	LED ВКЛУЧЕНО	LED ИСКЛУЧЕНО
LXT (14,4V)	BL1415N	1.5 Ah	7.0	10	7.5	10
	BL1430B	3.0 Ah	12	16	12	17
	BL1440	4.0 Ah	19	25	20	27
	BL1460B	6.0 Ah	25	34	26	36
LXT (18V)	BL1815N	1.5 Ah	8.0	10	8.5	11
	BL1820B	2.0 Ah	11	14	11	15
	BL1830B	3.0 Ah	15	19	16	20
	BL1840B	4.0 Ah	22	28	22	29
	BL1850B	5.0 Ah	28	36	29	37
	BL1860B	6.0 Ah	34	43	35	45
XGT (36V - 40V макс)	BL4020	2.0 Ah	19	23	19	24
	BL4025	2.5 Ah	24	30	25	31
	BL4040(F)	4.0 Ah	39	47	40	49

### **⚠ ПРЕДУПРЕДУВАЊЕ:**

користете ги само батериите наведени погоре. Користење на какви било други батерии може да предизвика повреда и/или пожар.

#### **Белешка:**

- табелата што се однесува на времето на работење на батеријата е дадена како пример.
- Вистинското време на работење може да се разликува во зависност од типот на батеријата, условите при полнење или средината во која се користи.
- Некои од батериите и полначите наведени погоре може да не се достапни во зависност од вашиот регион на живеење.

# ПОСТАВУВАЊЕ И ЕЛЕКТРИЧНО НАПОЈУВАЊЕ

## ⚠ ВНИМАНИЕ:

- Внимавајте да не си ги потфатите прстите кога го отворате и затворате капакот на батеријата.
- Вратете го заклучувањето на делот за батерија во првобитната положба, по поставување или вадење на батеријата. Ако не направите така, батеријата може случајно да падне од звучникот и да ви предизвика повреда вам, или на некој околу вас.
- Секогаш затворајте го и заклучувајте го делот за батерија пред да го преместувате звучникот.
- Секогаш исклучувајте го звучникот пред да ја поставувате или вадите батеријата.
- Внимавајте да не го испуштите или удриете звучникот. Скршено парче може да го исече вашиот прст или да ви го прободете телото. Оштетениот звучник може да се однесува непредвидливо, што може да доведе до пожар, експлозија или ризик од повреда.
- Цврсто држете ги звучникот и батеријата кога ја ставате или вадите батеријата. Ако не успеете цврсто да ги држите звучникот и батеријата, истите може да ви се лизнат од рацете што ќе доведе до оштетување на звучникот и батеријата и лична повреда.

## ВАЖНО:

- Намалено напојување, дисторзија, „испрекинат звук“ или кога на екранот се појавува иконата за батерија сите се знаци дека главното пакување со батерији треба да се замени.
- Батеријата не може да се полни со испорачаниот адаптер за напојување.
- Батеријата не е вклучена како стандарден додаток.

## Поставување или вадење на батеријата на лизгање (сл. 2-4)

- За да ја поставите батеријата, порамнете го јазичето на батеријата со жлебот во кукиштето и лизнете ја на своето место. Секогаш поставувајте ја до крај се додека не се заклучи на своето место со мало кликување.
- Ако го гледате црвениот индикатор на горниот дел на копчето, таа не е целосно заклучена. Поставете ја до крај така да црвениот индикатор не може да се види. Ако не направите така, таа случајно може да испадне од звучникот и да ви предизвика повреда вам или на некој околу вас.
- Не користете сила кога ја вметнувате батеријата.

Ако батеријата не се лизга лесно, значи дека не е правилно поставена.

- За да ја извадите батеријата, лизнете ја од звучникот додека го притискате копчето на предниот дел на батеријата.

## Покажување на преостанат Капацитет на батерија(сл. 5-6)

### Само за батерији со индикатор

- 1. Ламбички на индикатор
- 2. Копче за проверка

Притиснете го копчето за проверка на батеријата за да се прикаже преостанатиот капацитет на батеријата. Ламбичките на индикаторот се вклучуваат на неколку секунди.

### • XGT/LXT батерија

Ламбички на индикатор			Преостанат капацитет
Осветлено	Исклучено	Трепка	
			75% ~ 100%
			50% ~ 75%
			25% ~ 50%
			0% ~ 25%
			Наполнете ја батеријата
			Батеријата може е неисправна

### ЗАБЕЛЕШКА:

- Во зависност од условите на употреба и амбиенталната температура, прикажувањето може малку да се разликува од реалниот капацитет.
- Првата (најлева) сијаличка-индикатор ќе трепка кога работи системот за заштита на батеријата.
- Кога јачината на батеријата е слаба, заменете ја батеријата.

## Употреба на испорачаниот адаптер за напојување со наизменична струја

Отстранете го гумениот заштитник и вметнете го приклучокот за адаптер во приклучникот за еднонасочна струја на десната страна од звучникот. Вклучете го адаптерот во стандардна приклучница за напојување со струја. Секогаш кога се користи адаптерот, батеријата автоматски се исклучува.



## ⚠ ВНИМАНИЕ:

- Секогаш исклучувајте го адаптерот за напојување со наизменична струја целосно пред да го преместувате звучникот Ако адаптерот за напојување со наизменична струја не се отстрани, тој може да предизвика струен удар.
- Никогаш не влечете го и/или не тегнете го кабелот на адаптерот. Ако не постапите така, звучникот случајно може да падне предизвикувајќи ви повреда вам или на некој околу вас.

## ВАЖНО:

- За да се исклучи звучникот, адаптерот за електрично напојување треба целосно да се исклучи од приклучницата за електрично напојување.
- Користете го само адаптерот за напојување со наизменична струја што е доставен со производот или посочен од Makita.
- Не држете го кабелот за електрично напојување и приклучокот со устата. Доколку направите така може да дојде до струен удар.
- Не допирајте го приклучокот за напојување со влажни или масни раце.
- Оштетени или испреплетени кабли го зголемуваат ризикот од струен удар. Ако кабелот е оштетен, истиот да се замени од страна на нашиот овластен сервисен центар за да се избегне ризик по безбедноста. Не употребувајте го пред поправката.
- По употребата, секогаш чувајте го адаптерот за напојување со наизменична струја подалеку од дофат на деца. При играњето на децата со кабелот, може да настанат повреди.

## Приклучок за напојување преку УСБ

Овој приклучок може да се користи за полнење на мобилен телефон или кој било друг уред што користи помалку од 2.4А на еднонасочна струја. Полнењето ќе се случува само кога звучникот е вклучен.

**Напомена:** уверете се дека спецификациите на вашиот надворешен уред како мобилен телефон или репродуктор се компатибилни со звучникот. Прочитајте го упатството за работа со вашиот надворешен уред пред да го полните.

## ВАЖНО:

- Пред поврзувањето на УСБ-уредот со полначот, секогаш направете резервна копија на вашите податоци од УСБ-уредот. Во спротивно може да дојде до загуба на вашите податоци.
- Полначот може да не доставува енергија до некои УСБ-уреди.

- Кога не се користи или по полнењето, отстранете го УСБ-кабелот и затворете го капакот.
- Не поврзувајте извор на енергија на УСБ-портата. Во спротивно постои ризик од пожар. УСБ-портата е наменета само за полнење на уреди со понизокнапон. Секогаш затворајте го капакот врз УСБ-портата кога не го полните уредот со понизокнапон.
- Не вметнувајте шајка, жица или слично во портата за напојување преку УСБ. Во спротивно краток спој може да предизвика чад и пожар.
- Не поврзувајте го овој приклучок за УСБ со вашата УСБ-порта на компјутерот, бидејќи постои голема веројатност тоа да предизвика оштетување на уредите.

## СЛУШАЊЕ МУЗИКА СО ПРЕНЕСУВАЊЕ ПРЕКУ BLUETOOTH

За да репродуцирате/пренесувате Bluetooth музика преку звучникот, спарете го вашиот Bluetooth уред со звучникот за да овозможите автоматско поврзување.

### Забелешка:

За да имате подобар квалитет на звук, препорачуваме да ја поставите јачината на звук на повеќе од две третини од нивото на вашиот уред со Bluetooth, а потоа да ја прилагодите јачината на звукот на звучникот како што е потребно. Оваа операција е валидна само кога звукот на Bluetooth уредот не е пуштен до максимум.

## Спарување на вашиот Bluetooth уред за прв пат

1. Притиснете го копчето Напојување за да го вклучите звучникот. На дисплејот ќе се појави „Pairing“ (Спарување) за да покаже дека звучникот е видлив.
2. Активирајте Bluetooth на вашиот уред според упатството за корисник на уредот за да поврзете со радиото. Лоцирајте го списокот на Bluetooth уреди и изберете го уредот именуван како 'MR014G' (кај некои мобилни на кои се наоѓаат постари верзии отколку уред со BT2.1 Bluetooth, може да е потребно да внесете лозинка „0000“).
3. Штом ќе се поврзе, ќе се слушне звук за потврда. На екранот ќе се појави "Paired". Вие едноставно може да изберете и да репродуцирате секаква музика од вашиот изворен уред. Контролата на јачината на звук може да се прилагодува од вашиот изворен уред или директно од звучникот.
4. Користете ги контролите на вашиот уред оспособен за Bluetooth или на звучникот за да

репродуцирате/паузирате и управувате со нумери.

#### **Забелешка:**

- Ако 2 Bluetooth уреди, кои се спаруваат за прв пат, го бараат вашиот звучникот, тој ќе ја покаже својата достапност на двата уреда. Сепак, ако еден уред прв се поврзе со звучникот, тогаш другиот Bluetooth уред нема да може да го најде на списокот.
- Ако вашиот Bluetooth уред е времено исклучен од вашиот звучник, тогаш треба повторно рачно да го поврзете вашиот уред со звучникот.
- Ако „MR014G“ се прикажува на списокот со вашиот Bluetooth уред, но вашиот уред не може да се поврзе со него, ве молиме избришете ја ставката од вашиот список и повторно спарете го уредот со звучникот, следејќи ги чекорите опишани претходно.
- Оптималниот опсег за пренесување преку Bluetooth е приближно 30 метри (100 стапки) (оптичка видливост) до радиото, но и растојание до 100 метри (328 стапки) е можно.
- Ако Bluetooth поврзувањето се изгуби поради предолго време на раздвоеност, надминување на оптималното растојание, пречки или друго, повторно поврзување на вашиот уред со радиото може да биде неопходно.
- Физички пречки, други безжични уреди или електромагнетни уреди може да влијаат на квалитетот на поврзување.
- Резултатите од поврзувањето преку Bluetooth може да се разликуваат во зависност од поврзаните Bluetooth уреди. Ве молиме погледнете ги Bluetooth способностите на вашиот уред пред да се поврзете со вашиот звучник. Сите карактеристики може да не се поддржани кај некои спарени Bluetooth уреди.

### **Репродуцирање аудио датотеки во Bluetooth режим**

Кога успешно сте го поврзале вашиот звучник со избраниот Bluetooth уред, вие може да започнете да ја репродуцирате вашата музика користејќи ги контролите на вашиот поврзан Bluetooth уред.

1. Штом репродуцирањето ќе започне, прилагодете го звукот на бараната поставка користејќи ги копчињата за Звук на вашиот звучник или на вашиот активан Bluetooth уред.
2. Користете ги контролите на вашиот Bluetooth уред да репродуцирате/паузирате и да се движите низ нумерите. Алтернативно, контролирајте ја репродукцијата со користење на копчињата Репродукција/Пауза, Следна нумера и Претходна нумера на вашиот звучник.
3. Притиснете го и задржете го копчето за

Брзо премотување напред или копчето за премотување наназад за да се движите низ тековната нумера. Пуштете го копчето кога ќе се достигне посакуваната точка.

#### **Забелешка:**

- Не сите апликации за плеер или уреди може да реагираат на сите овие контроли.
- Некои мобилни уреди може привремено да се исклучат од вашиот звучник кога правите или примате повици. Некои уреди може времено да го стават на безгласно нивното пренесување на аудио преку Bluetooth кога ќе примат текстуални пораки, е-пораки или од некои други причини кои не се поврзани со пренесување аудио. Таквото однесување е функција на поврзаниот уред и не укажува на дефект кај вашиот звучник.
- Дисплејот ќе ги прикажува информациите за нумерата како што е насловот, изведувачот, албумот и сл., кога репродуцира во режим на Bluetooth.

### **Репродуцирање со претходно спарен Bluetooth изворен уред**

Звучникот може да запомни до 8 сетови на спарени Bluetooth уреди, кога меморијата го надминува овој износ, првиот уред со кој бил спарен звучникот ќе биде избришан од меморијата на звучникот. Ако вашиот Bluetooth изворен уред претходно бил спарен со звучникот, звучникот уште ќе го памети вашиот Bluetooth уред и ќе пробава повторно да се поврзе со последниот поврзан уред во траење од 1 минута. Ако последниот поврзан уред не е достапен, звучникот ќе може да се открие.

### **Исклучување на Bluetooth уред**

Притиснете го и задржете го копчето за спарување преку Bluetooth 2-3 секунди додека не се прикаже “Pairing” на дисплејот за да се исклучи со вашиот Bluetooth уред или да се исклучи Bluetooth на вашиот Bluetooth уред за да се оневозможи поврзувањето.

### **Бришење на меморијата на спарен Bluetooth уред**

За да ја избришете меморијата на сите спарени уреди, притиснете го и задржете го копчето за спарување со Bluetooth подолго од 7 секунди додека на екранот не се прикаже „Reset (Ресетирај)“.

## **ФУНКЦИЈА НА ВИСТИНСКО БЕЗЖИЧНО СТЕРЕО (TWS)**

Вистинско безжично стерео (TWS) е карактеристика

што овозможува еден уред безжично да се поврзе со друг уред. Може да ја користите функцијата TWS за да го поврзете на друг MR014G и да ја репродуцирате вашата музика преку два звучника.

### Поставување на првиот звучник

1. Уверете се дека првиот звучник е во режим на Bluetooth и поврзете со Bluetooth уред.
2. Притиснете го копчето Плус, на екранот ќе се прикаже **[ST] [MULTI]**. **[ST]** ќе светне на екранот. Притиснете го копчето Плус да влезете во режимот „ST Pair“. Ако не се притиснати копчиња во време од 10 секунди, звучникот исто така ќе влезе во режим „ST Pair“. На екранот ќе се прикаже „ST Pair“.

### Поставување на вториот звучник

1. Уверете се дека вториот звучник е во режим на Bluetooth и дека не е поврзан со Bluetooth уред.
2. Притиснете го копчето Плус, на екранот ќе се прикаже **[ST] [MULTI]**. **[ST]** ќе светне на екранот. Притиснете го копчето Плус да влезете во режимот „ST Pair“. Ако не се притиснати копчиња во време од 10 секунди, звучникот исто така ќе влезе во режим „ST Pair“.

Кога звучниците се успешно поврзани, **[L - ST] - R** ќе се прикаже на двата екрана во исто време.

**Белешка:** поставете го вториот звучник во рок од 1 минута по првиот, во спротивно поставувањето на првиот звучник ќе биде откажано.

### Започнување со репродукција

1. Започнете со репродукција на поврзаниот Bluetooth уред и прилагодете ја јачината на звук на Bluetooth уредот или на еден од звучниците за пријатно слушање.

**Белешка:** поставките за јачина на звук или за EQ на едниот звучник ќе се пресликаат на другиот.

2. Користете ги контролите на вашиот Bluetooth уред за да репродуцирате/паузираат и да се движите низ нумери. Алтернативно, контролирајте ја репродукцијата со користење на копчињата Репродуцирај/Паузирај, Следна нумера и Претходна нумера на кој било од звучниците.
3. Притиснете го и задржете го копчето Брзо напред или Премотај на кој било од звучниците за да се движите брзо напред или да премотате во рамките на тековната нумера. Пуштете го копчето кога е достигната посакуваната точка.

### Префрлање на аудио режим

1. При користење на два звучника, може да префрлате помеѓу **[L - ST] - R**, **[R - ST] - R** и **[L - ST] - L** режим.

2. Притиснете го копчето L/R на кој било од звучниците да го смените режимот на аудио.
3. **[L - ST] - R режим:** двата звучника го репродуцираат истиот звук. Тоа е почетната поставка.
4. **[R - ST] - R и [L - ST] - L режим:** еден звучник го репродуцира звукот на десниот канал, додека другиот звучник го репродуцира звукот на левиот канал за стерео репродукција помеѓу звучниците.

### Исклучување на функцијата TWS

Притиснете го и задржете го копчето Плус да ја исклучите функцијата TWS.

## УЖИВАЊЕ ВО БЕЗЖИЧНА РЕПРОДУКЦИЈА СО КОРИСТЕЊЕ НА ПОВЕЌЕ ЗВУЧНИЦИ

Може да уживате во музиката во исто време со комбинирање до 10 уреди кои се компатибилни со оваа функција.

### Поставување на првиот звучник

1. Уверете се дека првиот звучник е во режим на Bluetooth и поврзете со Bluetooth уред.
2. Притиснете го копчето Плус, на екранот ќе се прикаже **[ST] [MULTI]**.
3. Изберете **[MULTI]** со притискање на копчето L/R. **[MULTI]** ќе свети на екранот. Притиснете го копчето Плус да влезете во режимот „MULTI Pair“. Ако не се притиснати копчиња во време од 10 секунди, звучникот исто така ќе влезе во режим „MULTI Pair“. На екранот ќе се прикаже „MULTI Pair“.

### Поставување на вториот звучник

1. Уверете се дека вториот звучник е во Bluetooth режим „Pairing“.
2. Притиснете го копчето Плус, на екранот ќе се прикаже **[ST] [MULTI]**.
3. Изберете **[MULTI]** со притискање на копчето L/R. **[MULTI]** ќе свети на екранот. Притиснете го копчето Плус да влезете во режимот „MULTI Pair“. Ако не се притиснати копчиња во време од 10 секунди, звучникот исто така ќе влезе во режим „MULTI Pair“. Кога звучниците се успешно поврзани, екранот на првиот звучник ќе прикаже „PARENT“ (укажувајќи на главен звучник) и екранот на вториот звучник ќе се прикаже „CHILD“ (укажувајќи на секундарен звучник).

**Белешка:** поставете го вториот звучник во рок од 1 минута по првиот. Кога додавате нов секундарен звучник, таа 1 минута повторно ќе се смета.

## Додавање нови секундарни звучници

Ако сакате да поврзете трет звучник или повеќе нови звучници, следете ги овие чекори:

1. Уверете се дека новиот звучник е во Bluetooth режим "Pairing".
2. Притиснете го копчето Плус на главниот звучник, на екранот ќе се прикаже „MULTI ADD“.
3. Притиснете го копчето Плус на новиот звучник, на екранот ќе се прикаже [ST] : [MULTI].
4. Изберете [MULTI] со притискање на копчето L/R. [MULTI] ќе свети на екранот. Притиснете го копчето Плус да влезете во режимот „MULTI Pair“. Ако не се притиснати копчиња во време од 10 секунди, звучникот исто така ќе влезе во режим „MULTI Pair“. Кога звучниците успешно ќе се поврзат, на новиот звучник ќе се прикаже „CHILD“ (укажувајќи на секундарен звучник).

## Започнување со репродукција

1. Започнете со репродукција на поврзаниот Bluetooth уред и прилагодете ја јачината на звук на Bluetooth уредот или на звучниците за пријатно слушање. Истата музика се репродуцира од сите звучници.

**Белешка:** само поставките за јачина на звук или за EQ на главниот звучник ќе бидат синхронизирани со другите звучници. За другите звучници, индивидуално поставете ги јачината на звук или EQ за секој звучник.

2. Користете ги контролите на вашиот Bluetooth уред за да репродуцирате/паузираат и да се движите низ нумери. Алтернативно, контролирајте ја репродукцијата со користење на копчињата Репродуцирај/Паузирај, Следна нумера и Претходна нумера на главниот звучник.
3. Притиснете го и задржете го копчето Брзо напред или Премотај на главниот звучник за да се движите брзо напред или да премотате во рамките на тековната нумера. Пуштете го копчето кога е достигната посакуваната точка.

## Исклучување на повеќе звучници

- За да исклучите само еден секундарен звучник, притиснете го и задржете го копчето Плус на секундарниот звучник што сакате да го исклучите.
- За да ги исклучите сите поврзувања и да излезете од групата на повеќе звучници, притиснете го и држете го копчето Плус на главниот звучник.

## ИЗБЕРЕТЕ ФУНКЦИЈА ОСВЕТЛУВАЊЕ

1. Притиснете го копчето Напојување за да го вклучите звучникот.
2. Притиснете го копчето Мени, па притиснете го копчето Претходна нумера за да влезете во поставките.
3. Притиснете го копчето Следна нумера или Претходна нумера да ја изберете посакуваната функција Осветлување. Потоа притиснете го копчето за Репродукција/Пауза да го потврдите изборот.



Избирањето на оваа опција укажува дека LED светлото е исклучено.



Избирањето на оваа опција укажува дека LED светлото останува постојано вклучено. (Стандардно)



Избирањето на оваа опција укажува дека LED светлото ќе светка во ритамот на музиката. Поефективно е со музика што има силен ритам.

**Белешка:** оваа функција е соодветна за музика со силен ритам. Во спротивно, LED светлото може да не светка.

## ФУНКЦИИ НА ЕКВИЛАЈЗЕР

1. Притиснете го копчето Напојување за да го вклучите звучникот.
2. Притиснете го копчето Мени, потоа притиснете го копчето Репродуцирај/Паузирај за да влезете во мениот за избор на EQ.
3. Притиснете го копчето Следна нумера или Претходна нумера за да го изберете посакуваниот режим на еквилајзер или да изберете да конфигурирате ваш сопствен режим на еквилајзер. Потоа притиснете го копчето Репродуцирај/Паузирај да го потврдите изборот. Достапни режими на еквилајзер се: "FLAT", "JAZZ", "ROCK", "CLASSIC", "POP", "NEWS", и "MY EQ".
4. Ако е избрано „MY EQ“ во чекор 3, користете ги копчињата Следна нумера, Претходна нумера и Репродукција/Пауза за последователно да ги конфигурирате нивоата на високи тонови, средни тонови и на бас.

**Белешка:** Ако ја зголемувате ја јачината на звук додека го нагласувате басот со еквилајзер, може да

настане напукнување или дисторзија. Во овој случај, прилагодете ја јачината на звук.

## ПРИКЛУЧНИЦА ЗА МИКРОФОН

Приклучница за микрофон од 6,3mm се наоѓа на десната страна за поврзување на микрофонот (не е доставен).

1. Поврзете го микрофонот во приклучницата за микрофон (MIC).
2. Притиснете го копчето Напојување за да го вклучите звучникот.
3. Вклучете го микрофонот.
4. Притискајте ги копчињата зголемување/ намалување на звук на звучникот како што е потребно да го прилагодите посакуваното ниво.

### Белешка:

Не ставајте го микрофонот наспроти звучникот, тоа може да предизвика повратно ехо и да го оштети звучникот.

## Поставување на јачината на звук на микрофонот

1. Притиснете го копчето Напојување за да го вклучите звучникот.
2. Притиснете го копчето Мени, па притиснете го копчето Следна нумера за да влезете во поставките.
3. Притиснете го копчето Следна нумера или Претходна нумера да го изберете посакуваното ниво на јачина на звук на микрофонот. Потоа притиснете го копчето за Репродукција/Пауза да го потврдите изборот.

## РЕПРОДУЦИРАЊЕ МУЗИКА ПРЕКУ ПРИКЛУЧНИЦАТА ЗА ПОМОШЕН ВЛЕЗ

Приклучница за помошен влез од 3,5mm се наоѓа на десната страна на единицата за аудиосигнал од кои било уреди што емитуваат аудиозвук или звук преку слушалки, како што се MP3 или CD плеер.

1. Поврзете стерео или моно аудио извор (на пример, MP3 или CD репродуктор) на помошниот влезен приклучок (означен како 'AUX IN'), звучникот ќе се префрли од Bluetooth режим во режим на помошен влез.
2. Прилагодете ја контролата на јачината на звук на вашиот MP3 или CD репродуктор да обезбедите соодветен сигнал, а потоа прилагодете ја јачината на звукот на звучникот за пријатно слушање.

### Белешка:

Во AUX IN режим, се препорачува да се постави јачината на звук на надворешниот аудио уред на две третини или повисоко. Потоа, прилагодете ја јачината на звук на звучникот како што е потребно за да постигнете оптимален квалитет на звук. Ако јачината на звук на аудиоуредот е поставена на пониско од две третини, можно е LED светилката да не светка.

Дисплејот не покажува информации како што се наслов, изведувач, албум и сл. кога репродуцира преку помошниот влезен приклучок.

## ОДРЖУВАЊЕ

### ⚠ ВНИМАНИЕ:

- Никогаш не користете бензин, разредувач, алкохол или слични средства. Може да предизвикаат обезбојување, деформирање или пукнатини.
- Не мијте го звучникот со вода.

# СПЕЦИФИКАЦИИ

<b>Засилувач</b>	
Излезна моќност	14.4V: 15W 18V: 20W 36V: 20W
Фреквенциски опсег	50Hz~20kHz
<b>Помошен влез (Aux In)</b>	
Чувствителност на влез	300mVrms @100Hz
<b>Звучник</b>	
Главен звучник	140.8mm x 1 6ohm 25W
Високотонец	40mm x 1 6ohm 10W
Пасивен ладилник	100.7mm x 2

<b>Bluetooth®</b> (логотипот Bluetooth® и логоата се регистрирани заштитни знаци во сопственост на Bluetooth SIG, Inc.)	
Bluetooth верзија	5.1сертифицирана
Bluetooth профил	A2DP/SCMS-T/AVRCP
Емитувана моќност	Моќност Класа 1
Емитуван опсег	Оптимално: Макс.30 метри (100 стапки) Можно: Макс. 100 метри (328 стапки) (зависи од условите за употреба)
Поддржан кодек	SBC, AAC, aptX™, aptX™ HD
Компатибилен Bluetooth профил	A2DP/AVRCP
Максимална радиофреквенциска моќност	BT EDR: 4.56dBm BT LE: 4.65dBm
Работна фреквенција	2402MHz~2480MHz

<b>Приклучок за полнење преку USB</b>	
Максимална напојна моќност на USB приклучок	5V, 2.4A

<b>Општо</b>	
Адаптер за напојување со наизменична струја	Еднонасочна струја во 18V 2A, централен приклучок со игличка со позитивен поларитет

Батерија	Лизгачка батерија: 14.4V 18V 36V
Влезен терминал	3,5mm дијаметар (AUX IN) 6,3mm дијаметар. (МИКРОФОН)
Димензии (Ш x В x Д)	236mm x 205mm x 243mm
Тежина	3.8KG (без батерија)

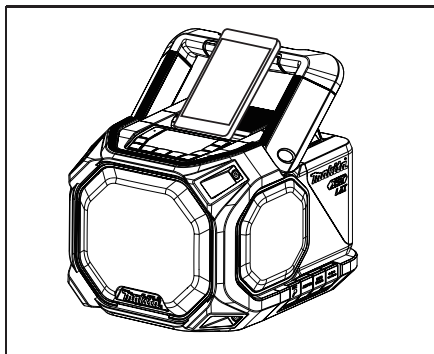
<b>Информации за потрошувачка на електрична енергија</b>	
Режим исклучено	Овој уред нема режим подготвеност и неговата потрошувачка на електрична енергија во режим исклучено е под 0,3W.
Режим на Bluetooth	Во режим на Bluetooth, кога нема емитување сигнал, потрошувачката на електрична енергија во мирување во овој режим е под 2W по 15 минути.
AUX режим	Во AUX режим, кога нема излезен сигнал, потрошувачката на електрична енергија во мирување во овој режим е под 0,8W по 15 минути.

Компанијата го задржува правото за менување на спецификацијата без претходно известување.

## СРПСКИ (Оригинална упутства)

### ОБЈАШЊЕЊЕ ОПШТЕГ ПРЕГЛЕДА (Сл. 1)

1. Ормарић прегратка за батерију
2. Ручка
3. Поклопац прегратка за батерију (покрива кертриџ за батерију)
4. Пасивни звучник
5. Утичница за струју
6. УСБ прикључак за напајање
7. Утичница за помоћни улаз (AUX)
8. Утичница за микрофон
9. ЛЕД лампица
10. Звучник
11. Жлеб за постављање паметног телефона



12. ЛЦД екран
13. Тастер за појачавање звука
14. Тастер за смањивање звука
15. Тастер Плус (тастер за додатно упаривање)
16. Тастер L/R (леви/десни)
17. Тастер Следећа нумера/Премотавање унапред
18. Тастер Репродукција/Пауза
19. Тастер Претходна нумера/Премотавање уназад
20. Тастер Мени
21. Тастер Bluetooth упаривање
22. Тастер Напајање
23. LXT батерија
24. XGT батерија

### Симболи

у наставку погледајте симболе који се користе за опрему. Постарајте се да разумете њихово значење пре употребе.



Прочитајте упутство за употребу.



Само за државе чланице ЕУ.  
Због присуства опасних компонента у опреми, отпадна електрична и електронска опрема, акумулатори и батерије могу негативно да утичу на животну средину и здравље људи. Не одлажите електричне и електронске уређаје или батерије заједно са другим отпадним материјалом из домаћинства! Поштујући Директиве Европске Уније о отпадној електричној и електронској опреми, акумулаторима и батеријама, као и њихово прилагођавање националним законима, отпадну електричну опрему, батерије и акумулаторе треба складиштити одвојено и доставити на посебно сабирно место за комунални отпад, поступајући у складу са прописима о заштити животне средине.

То је означено симболом прецртане канте за отпад са точкићима постављеним на опреми.



### Qualcomm® aptX™ HD

Qualcomm aptX је производ компаније Qualcomm Technologies, Inc. и/или њених подружница. Qualcomm је заштитни знак компаније Qualcomm Incorporated, регистрован у Сједињеним Америчким Државама и другим земљама. aptX је заштитни знак компаније Qualcomm Technologies International, Ltd., регистрован у Сједињеним Америчким Државама и другим земљама.

### ВАЖНА БЕЗБЕДНОСНА УПУТСТВА

#### **⚠ УПОЗОРЕЊЕ:**

Када користите електричне алатке, увек пратите основне мере предострожности да бисте смањили ризик од пожара, струјног удара и других повреда, укључујући и следеће:

1. Пре употребе пажљиво прочитајте упутство за употребу и упутство за употребу пуњача.
2. Чистите само сувом крпом.
3. Немојте постављати близу било којег извора топлотне енергије као што су радијатори, грејалице, шпорети или других уређаја (укључујући појачала) који производе топлоту.
4. Користите само додатке/прибор дефинисане од стране произвођача.

5. Ископчајте уређај из утичнице током грмљавина или ако се не користи дужи временски период.
6. Звучник који ради на батерију, било да је она уграђена или одвојена, мора да се пуну искључиво са предвиђеним пуњачем за ту батерију. Пуњач који одговара једном типу батерије може да изазове опасност од пожара ако се користи са другом батеријом.
7. Користите звучник на батеријски напон искључиво са предвиђеним батеријама. Употреба било којих других батерија може да изазове опасност од пожара.
8. Када батерија није у употреби, држите је даље од других металних предмета као што су: спајалице, новчићи, кључеви, ексери, шrafoви или други мали метални предмети који могу да направе везу између терминала. Кратак спој између терминала батерије може да изазове варнице, опекотине или пожар.
9. Избегавајте контакт са приземљеним површинама као што су цеви, радијатори, шпорети и фрижидери. Постоји ризик од струјног удара ако је и ваше тело приземљено.
10. Под насилним условима, батерија може да избаци течност; избегавајте контакт. Ако ипак дође до контакта, исперите одмах водом. Ако течност дође у додир са очима, одмах потражите помоћ лекара. Течност из батерије може да проузрокује иритације или опекотине.
11. Немојте користити батеријски пакет или алатку која је оштећена или модификована. Оштећене или модификоване батерије могу испољити непредвидиво понашање које може довести до пожара, експлозија или ризика од повреда.
12. Немојте излагати батеријски пакет или алатку ватри или прекомерним температурама. Излагање ватри или температури од преко 130°C (266°F) може изазвати експлозију.
13. Пратите сва упутства за пуњење и не пуните батеријски пакет или алатку изван опсега температура наведених у упутствима. Неправилно пуњење или пуњење на температурама изван опсега може оштетити батерију и повећати ризик од пожара.
14. Главни утикач се користи за прекид напајања, и као такав треба да остане на дохват руке по потреби.
15. Немојте користити производ при великој јачини звука током дужег временског периода. Да бисте избегли оштећење слуха, користите производ на умереном нивоу јачине звука.
16. (Само за производе са ЛЦД екраном) ЛЦД екрани садрже течност која може изазвати иритацију и тровање. Ако течност доспе у очи, уста или на кожу, исперите је водом и позовите лекара.
17. Не излажите производ киши или влажним условима. Вода која уђе у производ повећава ризик од струјног удара.
18. Овај производ није намењен за употребу од стране особа (укључујући децу) са смањеним физичким, чулним или менталним способностима, као ни оних са недостатком искуства и знања, осим ако им је дат надзор или упутства о употреби производа од стране особе одговорне за њихову безбедност. Децу треба надзирати како би се осигурало да се не играју са производом. Држите производ ван домаћаја деце.
19. Не загревајте или излажите звучник ватри, нити га остављајте на врућим местима, као на пример у близини извора топлоте, директној сунчевој светлости или унутар возила под горућим сунцем. То може проузроковати пожар или експлозију и довести до озбиљних телесних повреда.
20. Поставите опрему на равну површину или осигурајте опрему на стабилном месту. У супротном може се десити да уређај падне.

## САЧУВАЈТЕ ОВА УПУТСТВА

### ПОСЕБНА БЕЗБЕДНОСНА ПРАВИЛА КЕРТРИЦА ЗА БАТЕРИЈУ

1. Пре употребе кертрица за батерију, прочитајте сва упутства и ознаке предострожности на (1) пуњачу за батерију, (2) батерији и (3) уређају који користи батерију.
2. Немојте да растављате кертриц за батерију.
3. Ако време трајања рада постане исувише кратко, одмах прекините са радом. То може довести до ризика од прегревања, могућих опекотина па чак и експлозије.
4. Ако вам електролит доспе у очи, исперите их чистом водом и одмах потражите помоћ лекара. Може да проузрокује губитак вида.
5. Немојте проузроковати кратај спој са кертрицом за батерију:
  - (1) Не додирујте прикључке са било којим проводним материјалом.
  - (2) Избегавајте одлагање кертрица за батерију у посуду са другим металним предметима као што су ексери, новчићи, итд.
  - (3) Не излажите кертриц за батерију води или киши. Кратај спој батерије може



да проузрокује велики проток струје, прегревање, опекотине па чак и квар.

6. Немојте складиштити или користити алатку или кертриц за батерију на локацијама где температуре могу достићи или премашити 50°C (122°F).
7. Немојте да спалите кертриц за батерију чак иако је озбиљно оштећен или истрошен. Кертриц може да експлодира у ватри.
8. Пазите да не испустите или ударите батерију.
9. Немојте да користите оштећену батерију.
10. Да бисте избегли ризик, пре употребе, прочитајте приручник о заменљивој батерији.
11. Садржане литијум-јонске батерије подлежу захтевима закона о опасним материјама. За комерцијални превоз, нпр. од стране трећих лица или шпедитера, морају се поштовати посебни захтеви за паковање и обележавање. За припрему предмета који се отправља потребна је консултација стручњака за опасне материје. Такође се придржавајте могућих детаљнијих националних прописа. Залепите или прекријте отворени простор и запакујте батерију на такав начин да не може да се помера у паковању.
12. Када одлажете кертриц за батерију, уклоните га из уређаја и одложите га на сигурном. Пратите локалне прописе у вези са одлагањем батерије.
13. Користите батерије само са производима наведеним од стране „Makita“. Инсталирање батерије на производе који нису у складу са захтевима може довести до пожара, прекомерне топлоте, експлозија или цурења електролита.
14. Ако не користите алатку на дужи временски период, морате уклонити батерију из алатке.
15. Не дозволите да се струготине, прашина или земља заглаве у терминалима, рупама и жлебовима кертрица за батерије. То може довести до лоших перформанси или квара алата или кертрица за батерију.
16. Држите батерију ван домашња деце.
17. Током и након употребе, кертриц за батерију може бити прегрејан, што може проузроковати опекотине или опекотине узроковане дуготрајним контактом са изворима топлоте подношљивије температуре.
18. Не додирујте терминал алатке одмах након употребе јер може постати довољно врућ да изазове опекотине.
19. Осим ако алатка не подржава употребу у близини високонапонских електричних водова, немојте користити кертриц за батерију у близини високонапонских електричних водова. То може довести до квара или грешке у раду алатке или

кертрица за батерију.

20. Заштитите батерију од следећих услова:
  - замена батерије неисправног типа која може да угрози мере заштите (на пример, у случају неких типова литијумских батерија);
  - одлагање батерије у ватру или врућу пећ, или механичко дробљење или сечење батерије, што може довести до експлозије;
  - остављање батерије у окружењу са екстремно високом температуром, што може довести до експлозије или цурења запаљиве течности или гаса; и
  - батерија изложена изузетно ниском ваздушном притиску који може довести до експлозије или цурења запаљиве течности или гаса.

#### **⚠ ОПРЕЗ:**

- **Постоји опасност од експлозије ако батерија није правилно замењена.**
- **Користите искључиво оригиналне „Makita“ батерије. Коришћење неоригиналних Makita“ батерија или батерија које су измењене, може довести до пуцања батерије изазивајући пожар, личне повреде или оштећења. То ће такође поништити „Makita“ гаранцију за „Makita“ алатку и пуњач.**

### **Савети за одржавање максималног века трајања батерије**

1. Напуните кертриц за батерију пре него што се потпуно испразни. Зауоставите рад алатке и напуните батерију када приметите да је капацитет рада при крају.
2. Никада немојте пунити већ напуњену батерију. Прекомерно пуњење скраћује радни век батерије.
3. Пуните батерију на собној температури од 10°C до 40°C (50°F - 104°F). Допустите да се врућ кертриц охлади пре новог пуњења.
4. Када не користите кертриц за батерију, извадите га из алатке или пуњача.
5. Напуните кертриц за батерију ако га нисте користили дуги временски период (више од шест месеци).

## ВРЕМЕ РАДА

\* Одговарајуће батерије за овај звучник су наведене на следећој табели.

\* Следећа табела указује на дужину рада након једног пуњења батерије.

Кертриџ за батерију		Капацитет батерије	ЈАЧИНА ЗВУЧНИКА = 100mW Јединица: Час (приближно)			
			Bluetooth		ПОМОЋНИ УЛАЗ	
			ЛЕД УКЉУЧЕН	ЛЕД ИСКЉУЧЕН	ЛЕД УКЉУЧЕН	ЛЕД ИСКЉУЧЕН
LXT (14.4V)	BL1415N	1.5 Ah	7.0	10	7.5	10
	BL1430B	3.0 Ah	12	16	12	17
	BL1440	4.0 Ah	19	25	20	27
	BL1460B	6.0 Ah	25	34	26	36
LXT (18V)	BL1815N	1.5 Ah	8.0	10	8.5	11
	BL1820B	2.0 Ah	11	14	11	15
	BL1830B	3.0 Ah	15	19	16	20
	BL1840B	4.0 Ah	22	28	22	29
	BL1850B	5.0 Ah	28	36	29	37
	BL1860B	6.0 Ah	34	43	35	45
XGT (36V - 40V макс.)	BL4020	2.0 Ah	19	23	19	24
	BL4025	2.5 Ah	24	30	25	31
	BL4040(F)	4.0 Ah	39	47	40	49

### ⚠ УПОЗОРЕЊЕ:

Употребљавајте искључиво горепоменуте батерије. Употреба других батерија може проузроковати повреде и/или пожар.

### НАПОМЕНА:

- Табела изнад, која се односи на време радног трајања батерије, служи као референца.
- Право време рада може се разликовати од врсте батерије, услова пуњења или окружења у којем се користи.
- Неки од горе наведених батеријских кертриџа и пуњача можда неће бити доступни у зависности од региона у ком живите.

# ИНСТАЛАЦИЈА И НАПАЈАЊЕ

## ⚠ ОПРЕЗ:

- Пазите да не прикљештите прсте приликом отварања и затварања поклопца за батерије.
- Након инсталирања или уклањања кертриџа за батерију, вратите преградак за складиштење батерије на првобитни положај. Уколико то не урадите, кертриџ за батерију може случајно да испадне из звучника, узрокујући повреду вама или некоме поред вас.
- Увек затворите и закључајте преградак за батерију пре померања звучника.
- Увек искључите звучник пре инсталирања или уклањања кертриџа за батерију.
- Будите опрезни да не испустите или ударите звучник. Сломљена шкољка вам може посећи прст или убости тело.
- Оштећени звучник може да испољи непредвидљиво понашање које може довести до пожара, експлозије или опасности од повреда.
- Чврсто држите звучник и кертриџ за батерију током инсталирања или уклањања кертриџа за батерију. Уколико то не учините, оно може да склизне из ваших руку и доведе до оштећења на звучнику, кертриџу за батерију или телесних повреда.

## ВАЖНО:

- Смањена снага, дисторзија, „звук муцања“ или када се икона ниске батерије појави на екрану, су све знаци да је потребно заменити главну батерију.
- Кертриџ за батерију се не може пунити преко испорученог адаптера за наизменичну струју.
- Кертриџ за батерију није укључен као стандардан прибор.

## Инсталирање или уклањање кертриџа за слајд батерију (Сл. 2-4)

- Да бисте поставили кертриџ за батерију, поравнајте језик на кертриџу са жлебом на кућишту и гурните га унутра. Постарајте се да је убачен кроз до краја, када се чује клик значи да је легло на место.
- Ако видите црвени индикатор на горњој страни тастера, значи да није у потпуности закључан. Инсталирајте га до краја тако да се црвени индикатор више не види. Уколико то не урадите, може случајно да испадне из звучника, узрокујући повреду вама или некоме поред вас.
- Немојте убацивати кертриџ на силу. Ако кертриџ не склизне унутра са лакоћом значи да није

исправно убачен.

- Да бисте уклонили батеријски кертриџ, превуците га од звучника до превлачите тастер са предње стране кертриџа.

## Приказивање преосталог капацитета батерије (Сл. 5-6)

Само за батеријске кертриџе са индикатором

### ➤ 1. Индикатори лампица 2. Дугме за потврду

Притисните дугме за потврду на кертриџу за батерију да би вам показало преостали капацитет батерије. Индикатори лампице засветле на пар секунди.

### • XGT/LXT кертриџи за батерију

Индикатори лампица			Преостали капацитет
Осветљено	Искључено	Трептајуће	
			75% ~ 100%
			50% ~ 75%
			25% ~ 50%
			0% ~ 25%
			Напуните батерију
			Можда је дошло до квара са батеријом

## НАПОМЕНА:

- У зависности од услова коришћења и температуре у околини, индикатор се може незнатно разликовати од стварног капацитета.
- Прва (крајње лево) индикаторска лампица ће трептати када систем заштите батерије ради.
- Када је ниво батерије низак, замените је.

## Коришћење испорученог АЦ адаптера за напајање

Уклоните гумену заштиту и уметните утикач адаптера на утичницу са десне стране звучника. Прикључите адаптер на стандардну утичницу за струју. Кад год је адаптер у употреби, батерија је аутоматски искључена.

## ⚠ ОПРЕЗ:

- Увек искључите адаптер за наизменичну струју пре него што преместите звучник. Уколико адаптер за наизменичну струју није укључен, може доћи до струјног удара.
- Никада не вуците и/или повлачите кабл адаптера. Ако то урадите, звучник може

случајно да падне, узрокујући повреду вама или неке поред вас.

#### ВАЖНО:

- Да бисте искључили звучник, адаптер се мора у потпуности уклонити из главне утичнице.
- Користите АЦ адаптер за напајање достављен са производом или наведеним од стране компаније „Makita“.
- Немојте држати кабл за напајање и утикач близу уста. То може довести до струјног удара.
- Немојте додиривати утикач влажним или масним рукама.
- Оштећени или замршени каблови повећавају ризик од струјног удара. Ако је кабл оштећен, замените га у нашем овлашћеном сервисном центру да бисте избегли безбедносну опасност. Немојте га користити пре поправке.
- Након употребе, чувајте АЦ адаптер за напајање ван домаћаја деце. Ако се деца играју са каблом, могу претрпети повреде.

### УСБ утичница за напајање

Овај прикључак може да се користи за пуњење мобилног телефона или било којег уређаја који користи мање од 2.4А једносмерне струје. Пуњење се одвија само када је звучник укључен.

**Напомена:** Уверите се да су спецификације вашег спољног уређаја, као што су мобилни телефон или плејер, компатибилни са звучником. Пре пуњења, прочитајте упутство вашег спољног уређаја.

#### ВАЖНО:

- Пре повезивања УСБ уређаја на пуњач, увек направите резервну копију ваших података са УСБ уређаја. У супротном, постоји могућност да подаци буду изгубљени.
- Могуће је да пуњач не може да напуни одређене УСБ уређаје.
- Када није у употреби или након пуњења, уклоните УСБ кабл и затворите поклопац.
- Немојте повезивати извор напајања на отвор за УСБ. У супротном, постоји опасност од пожара. Отвор за УСБ је намењен само за пуњење уређаја са ниским напоном. Увек вратите поклопац на отвор за УСБ када се не пуни уређај са ниским напоном.
- Не стављајте ексер, жицу, итд. на УСБ отвор за напајање. У супротном, кратак спој може проузроковати дим или пожар.
- Немојте повезивати овај УСБ прикључак са отвором за УСБ на вашем рачунару, јер је веома могуће да би то проузроковало квар на уређајима.

## СЛУШАЊЕ МУЗИКЕ ПУТЕМ BLUETOOTH ПРОТОКА

За репродуковање/стримовање Bluetooth музике преко звучника, упарите свој Bluetooth уређај са звучником да бисте омогућили аутоматску везу.

#### Напомена:

За бољи квалитет звука, препоручујемо вам подешавање јачине звука на Bluetooth уређају на ниво већи од две трећине а затим, по потреби, подешавајте јачину звука на звучнику. Ова операција важи само када Bluetooth уређај нема апсолутну јачину звука.

### Прво упаривање Bluetooth уређаја

1. Притисните тастер Напајање да бисте укључили звучник. „Pairing“ ће се појавити на екрану као назнака да је звучник видљив.
2. Да бисте се повезали са звучником активирајте Bluetooth на вашем уређају у складу са корисничким упутством тог уређаја. Пронађите списак Bluetooth уређаја и изаберите уређај под називом „MR014G“ (са неким мобилним телефонима, који су опремљени старијим верзијама од BT2.1 Bluetooth уређаја, ћете можда морати да унесете шифру „0000“).
3. Када је успешно повезан, чуће се звук потврде. „Paired“ ће се појавити на екрану. Можете једноставно да изаберете и репродукујете било коју музику са изворног уређаја или директно са звучника.
4. Користите контроле на вашем Bluetooth уређају или на звучнику да бисте репродуковали/паузирали и управљали нумерама.

#### Напомена:

- Ако 2 Bluetooth уређаја, током првог упаривања, траже ваш звучник, он ће се приказати доступним на оба уређаја. Међутим, ако се један уређај први повеже са овом јединицом, онда га други уређај неће пронаћи на листи доступних уређаја.
- Ако је веза између вашег Bluetooth уређаја и звучника привремено прекинута, мораћете поново ручно да повежете уређај са звучником.
- Ако је „MR014G“ видљив на листи упарених Bluetooth уређаја али ваш уређај не може да се повеже, избришите га са листе и поново упарите са звучником пратећи претходно описане кораке.
- Оптималан домет Bluetooth протока је приближно 30 метара (100 стопа, праволинијски) од звучника али су могуће раздаљине и до 100 метара (328 стопа).
- Ако се изгуби Bluetooth веза услед прекорачења временске раздвојености, прекорачења оптималне раздаљине, препрека или друго, можда

ће бити потребно поновно повезивање уређаја са звучником.

- Физичке препреке, други бежични уређаји или електромагнетни уређаји могу да утичу на квалитет везе.
- Учинак Bluetooth везе може да варира у зависности од повезаних Bluetooth уређаја. Проверите Bluetooth могућности вашег уређаја пре повезивања са звучником. На неким упареним Bluetooth уређајима можда неће бити подржане све функције.

## Репродуковање аудио датотека у Bluetooth режиму

Када успешно повежете ваш звучник са одабраним Bluetooth уређајем можете почети да репродукујете музику користећи контроле на вашем повезаном Bluetooth уређају.

1. Када почне репродукција подесите јачину звука на жељени ниво користећи тастере за јачину звука на звучнику или на упареном Bluetooth уређају.
2. Користите контроле на Bluetooth уређају да бисте репродуковали/паузирали и управљали нумерама. Исто тако, управљајте репродукцијом преко звучника користећи тастере Репродукција/Пауза, Следећа нумера и Претходна нумера.
3. Притисните и држите тастер Премотај унапред или Премотај уназад да бисте прескакали кроз тренутну нумеру. Отпустите тастер када дођете до жељене тачке.

### Напомена:

- Неће све апликације плејера или уређаја реаговати на све ове контроле.
- Неки мобилни телефони могу привремено да прекину везу са звучником када позивате или примате позиве. Неки уређаји могу привремено да искључе звук приликом Bluetooth аудио стриминга када приме текстуалне поруке, е-пошту или из других разлога невезано за аудио стриминг. То је одлика функције повезаног уређаја и не указује на грешку са вашим звучником.
- Током репродукције у Bluetooth режиму, на екрану ће се приказати информације о нумери као што су наслов, извођач, албум, итд.

## Репродуковање изворног Bluetooth уређаја који је већ претходно упарен

Звучник може да меморише до 8 упарених Bluetooth уређаја. Када меморија премаши овај износ, најстарији уређај са којим је звучник повезан биће преписан у меморији звучника. Ако је ваш изворни Bluetooth уређај претходно био упарен са звучником, звучник ће га и даље памтити и покушати поново да

се повеже са последњим повезаним уређајем у року од 1 минута. Ако последњи повезани уређај није доступан, звучник ће бити видљив.

## Прекидање везе са Bluetooth уређајем

Да бисте прекинули везу са вашим Bluetooth уређајем, притисните и држите 2-3 секунде тастер за Bluetooth упаривање док се „Pairing“ не појави на екрану или искључите Bluetooth на вашем Bluetooth уређају да бисте онемогућили везу.

## Брисање Bluetooth упареног уређаја из меморије

Да бисте обрисали све упарене уређаје из меморије, притисните и држите тастер за Bluetooth упаривање дуже од 7 секунди док се на екрану не прикаже „Reset“.

## TRUE WIRELESS STEREO (TWS)

True wireless stereo (TWS) је функција која омогућава једном уређају да се бежично повеже са другим уређајем. Можете да користите TWS функцију да бисте се повезали са другим MR014G уређајем и репродуковали музику преко два звучника.

## Подешавање првог звучника

1. Уверите се да је први звучник у Bluetooth режиму и повежите се са Bluetooth уређајем.
2. Притисните тастер Плус, на екрану ће се приказати **[ST] • [MULTI]**. На екрану ће трептати **[ST]**. Притисните тастер Плус да бисте ушли у режим „ST Pair“. Ако се ниједан тастер не притисне 10 секунди, звучник ће такође ући у режим „ST Pair“. На екрану ће се приказати „ST Pair“.

## Подешавање другог звучника

1. Уверите се да је први звучник у Bluetooth режиму и да се није повезао са Bluetooth уређајем.
2. Притисните тастер Плус, на екрану ће се приказати **[ST] • [MULTI]**. На екрану ће трептати **[ST]**. Притисните тастер Плус да бисте ушли у режим „ST Pair“. Ако се ниједан тастер не притисне 10 секунди, звучник ће такође ући у режим „ST Pair“. Када су звучници успешно повезани, на оба екрана биће приказано **[L] • [ST] • [R]** у исто време.

**Напомена:** Подесите други звучник у року од 1 минута од првог, иначе ће подешавање првог звучника бити поништено.

## Покретање репродукције

1. Започните репродукцију на повезаном Bluetooth уређају и подесите јачину звука на Bluetooth уређају или једном од звучника за удобно слушање.

**Напомена:** Поставке јачине звука или еквилајзера једног звучника ће се одразити на други.

2. Користите контроле на свом Bluetooth уређају за репродукцију/паузирање и кретање по нумерама. Алтернативно, контролишите репродукцију помоћу тастера Репродукција/Пауза, Следећа нумера и Претходна нумера на било ком звучнику.
3. Притисните и држите тастер за Премотавање унапред или Премотавање уназад на било ком звучнику да бисте премотали унапред или уназад унутар тренутне нумере. Отпустите тастер када се достигне жељена тачка.

## Пребацивање аудио режима

1. Користећи два звучника, можете се пребацити између режима **L - STI - R**, **R - STI - R** и **L - STI - L**.
2. Притисните тастер L/R на било којем од звучника да бисте променили аудио режим.
3. **L - STI - R** режим: Оба звучника репродукују исти звук. То је почетна поставка.
4. **R - STI - R** и **L - STI - L** режим: Један звучник репродукује звук на десном каналу, док други звучник репродукује звук на левом каналу, за стерео репродукцију међу звучницима.

## Искључивање функције TWS

Притисните и држите тастер Плус да бисте искључили функцију TWS.

## УЖИВАЊЕ У БЕЖИЧНОЈ РЕПРОДУКЦИЈИ КОРИСТЕЋИ ВИШЕ ЗВУЧНИКА

Можете истовремено уживати у музици комбинујући до 10 уређаја који су компатибилни са овом функцијом.

## Подешавање првог звучника

1. Уверите се да је први звучник у Bluetooth режиму и повежите се са Bluetooth уређајем.
2. Притисните тастер Плус, на екрану ће се приказати **STI - MULTI**.
3. Изаберите **MULTI** притиском на тастер L/R. На екрану ће трептати **MULTI**. Притисните тастер Плус да бисте ушли у режим „MULTI Pair“. Ако се ниједан тастер не притисне 10 секунди, звучник ће

такође ући у режим „MULTI Pair“. На екрану ће се приказати „MULTI Pair“.

## Подешавање другог звучника

1. Уверите се да је други звучник у режиму Bluetooth „Pairing“ (упаривање).
2. Притисните тастер Плус, на екрану ће се приказати **STI - MULTI**.
3. Изаберите **MULTI** притиском на тастер L/R. На екрану ће трептати **MULTI**. Притисните тастер Плус да бисте ушли у режим „MULTI Pair“. Ако се ниједан тастер не притисне 10 секунди, звучник ће такође ући у режим „MULTI Pair“. Када су звучници успешно повезани, на екрану првог звучника биће приказано „PARENT“ (означавајући главни звучник), а на екрану другог звучника биће приказано „CHILD“ (указује на секундарни звучник).

**Напомена:** Подесите други звучник у року од 1 минута од првог. Приликом додавања новог секундарног звучника, 1 минут ће бити поново израчунат.

## Додавање нових секундарних звучника

Ако желите да повежете трећи звучник, или више нових звучника, следите ове кораке:

1. Уверите се да је нови звучник у режиму Bluetooth „Pairing“ (упаривање).
2. Притисните тастер Плус на главном звучнику, на екрану ће се приказати „MULTI ADD“.
3. Притисните тастер Плус на новом звучнику, на екрану ће се приказати **STI - MULTI**.
4. Изаберите **MULTI** притиском на тастер L/R. На екрану ће трептати **MULTI**. Притисните тастер Плус да бисте ушли у режим „MULTI Pair“. Ако се ниједан тастер не притисне 10 секунди, звучник ће такође ући у режим „MULTI Pair“. Када су звучници успешно повезани, на новом звучнику ће се приказати „CHILD“ (који означава секундарни звучник).

## Покретање репродукције

1. Започните репродукцију на повезаном Bluetooth уређају и подесите јачину звука на Bluetooth уређају или на звучницима за удобно слушање. Иста музика се пушта са свих звучника.  
**Напомена:** Само ће јачина звука главног звучника или подешавања еквилајзера бити синхронизована са осталим звучницима. За остале звучнике, подесите јачину звука сваког звучника или еквилајзер појединачно.
2. Користите контроле на свом Bluetooth уређају за репродукцију/паузирање и кретање по нумерама.

Алтернативно, контролишите репродукцију помоћу тастера Репродукција/Пауза, Следећа нумера и Претходна нумера на главном звучнику.

3. Притисните и држите тастер за Премотавање унапред или Премотавање уназад, на главном звучнику, да бисте премотали унапред или уназад унутар тренутне нумере. Отпустите дугме када се достигне жељена тачка.

### Искључивање више звучника

- Да бисте искључили само један секундарни звучник, притисните и држите тастер Плус на секундарном звучнику који желите да искључите.
- Да бисте прекинули све везе и изашли из групе више звучника, притисните и држите тастер Плус на главном звучнику.

### БИРАЊЕ ФУНКЦИЈЕ ОСВЕТЉЕЊА

1. Притисните тастер Напајање да бисте укључили звучник.
2. Притисните тастер Мени, затим притисните тастер Претходна нумера да бисте ушли у подешавања.
3. Притисните тастер Следећа нумера или Претходна нумера да бисте изабрали жељену функцију осветљења. Затим притисните тастер Репродукција/Пауза да бисте потврдили избор.



Избор ове опције означава да је ЛЕД лампица искључена.



Избор ове опције означава да ће ЛЕД лампица остати непрекидно упаљена (подразумевано)



Избор ове опције означава да ће ЛЕД лампица трептати у ритму музике. Ефикасније је са музиком која има јак ритам.

**Напомена:** Ова функција је погодна за музику са jakim ритмом. У супротном, ЛЕД лампица можда неће трептати.

### ФУНКЦИЈА ЕКВИЛАЈЗЕРА

1. Притисните тастер Напајање да бисте укључили звучник.
2. Притисните тастер Мени, затим притисните тастер Репродукција/Пауза да бисте ушли у мени за избор еквилајзера.

3. Притисните тастер Следећа нумера или Претходна нумера да бисте изабрали жељени режим еквилајзера или изаберите да конфигуришете сопствени режим еквилајзера. Затим притисните тастер Репродукција/Пауза да бисте потврдили свој избор. Доступни режими еквилајзера су: „FLAT“, „JAZZ“, „ROCK“, „CLASSIC“, „POP“, „NEWS“ и „MY EQ“.
4. Ако је „MY EQ“ изабран у 3. кораку, користите тастер Следећа нумера, Претходна нумера и Репродукција/Пауза да бисте накнадно конфигурирали нивое високих тонова, средњих тонова и басова.

**Напомена:** Ако појачате јачину звука док наглашавате бас еквилајзером, може доћи до пуцкетања или дисторзије. У том случају, само подесите јачину звука.

### УТИЧНИЦА ЗА МИКРОФОН

Утичнаца за микрофон од 6,3мм налази се на десној страни звучника за повезивање микрофона (није испоручено).

1. Повежите микрофон на утичнацу за микрофон (MIC).
2. Притисните тастер Напајање да бисте укључили звучник.
3. Укључите микрофон.
4. Притисните тастер за Појачавање/Смањивање звука на звучнику, по потреби, да бисте подесили на жељени ниво.

**Напомена:**

Не постављајте микрофон на звучник, то може да изазове повратни ехо и оштети звучник.

### Подешавање јачине звука микрофона

1. Притисните тастер Напајање да бисте укључили звучник.
2. Притисните тастер Мени, затим притисните тастер Следећа нумера да бисте ушли у подешавања.
3. Притисните тастер Следећа нумера или Претходна нумера да бисте изабрали жељени ниво јачине звука микрофона. Затим притисните тастер Репродукција/Пауза да бисте потврдили избор.

### РЕПРОДУКОВАЊЕ МУЗИКЕ ПРЕКО УТИЧНИЦЕ ЗА ПОМОЋНИ УЛАЗ

Утичнаца за помоћни улаз од 3,5мм налази се на десној страни јединице за примање аудио сигнала са било ког уређаја који има слушалице или аудио

излаз, као што су MP3 или ЦД плејер.

1. Повежите стерео или моно аудио извор (на пример, MP3 или ЦД плејер) на прикључак за помоћни улаз (обележен са „AUX IN“). Звучник ће се пребацити са Bluetooth режима на режим помоћног улаза.
2. Подесите контролу звука на вашем MP3 или ЦД плејеру да бисте обезбедили адекватан сигнал, затим подесите јачину звука на звучнику за удобно слушање.

#### **Напомена:**

У режиму помоћног улаза (AUX IN), препоручује се подешавање јачине звука спољног аудио уређаја на две трећине или више. Затим подесите јачину звука звучника по потреби да бисте постигли оптималан квалитет звука. Ако је јачина звука аудио уређаја подешена на мање од две трећине, могуће је да ЛЕД лампица неће трептати.

Током репродукције путем прикључка помоћног улаза, на екрану се не приказују информације као што су наслов, извођач, албум, итд.

## **ЗА ОДРЖАВАЊЕ**

#### **⚠ ОПРЕЗ:**

- Никада не користите бензин, разређивач, алкохол или сличне производе. Може проузроковати промену боје, деформације или пукотине.
- Не перите звучник водом.



## СПЕЦИФИКАЦИЈЕ

Појачало	
Ислазна снага	14.4V: 15W 18V: 20W 36V: 20W
Фреквенцијски опсег	50Hz~20kHz
Помоћни улаз	
Осетљивост улаза	300mVrms @100Hz
Звучник	
Главни звучник	140.8мм x1 6ohm 25W
Високотонац	40мм x1 6ohm 10W
Пасивни радијатор	100.7мм x 2

Bluetooth®	
(Bluetooth® ознака и логотипи су регистровани заштитни знаци у власништву Bluetooth SIG, Inc.)	
Bluetooth верзија	5.1 Цертификовано
Bluetooth профил	A2DP/SCMS-T/AVRCP
Снага преноса	Снага Класа 1
Домет преноса	Оптимално: Макс. 30 метара (100 стопа) Могуће: Макс. 100 метара (328 стопа) (варира у зависности од услова коришћења)
Подржани кодек	SBC, AAC, aptX™, aptX™ HD
Компатибилан Bluetooth профил	A2DP/AVRCP
Максимална снага фреквенције звучника	BT EDR: 4.56dBm BT LE: 4.65dBm
Радна фреквенција	2402MHz~2480MHz

Прикључак УСБ напајања	
Максимална снага напајања УСБ прикључка	5V, 2.4A

Опште	
АЦ адаптер за напајање	ДЦ у 18V 2A, средња игла позитивна

Батерија	Слајд батерија: 14.4V 18V 36V
Улазни терминал	пречника 3,5мм (ПОМОЋНИ УЛАЗ) пречника 6,3мм (МИКРОФОН)
Димензије (Ш x В x Д)	236мм x 205мм x 243мм
Тежина	3.8КГ (без батерије)

Информације о потрошњи енергије	
Искључени режим	Овај уређај нема режим приправности, а његова енергетска потрошња у искљученом режиму је испод 0,3W.
Bluetooth режим	У Bluetooth режиму, када нема излазног сигнала, потрошња енергије у стању мировања је испод 2W након 15 минута.
Помоћни (AUX) режим	У AUX режиму, када нема излазног сигнала, потрошња енергије у стању мировања је испод 0,8W након 15 минута.

Компанија има право да измени спецификације без обавештења.

# Makita Europe N.V.

Jan-Baptist Vinkstraat 2, 3070 Kortenberg, Belgium

# Makita Corporation

3-11-8, Sumiyoshi-cho, Anjo, Aichi 446-8502 Japan

[www.makita.com](http://www.makita.com)



MR014G-AT14-2312

3A81gC5Z80000

(2024.03.08)

SJN