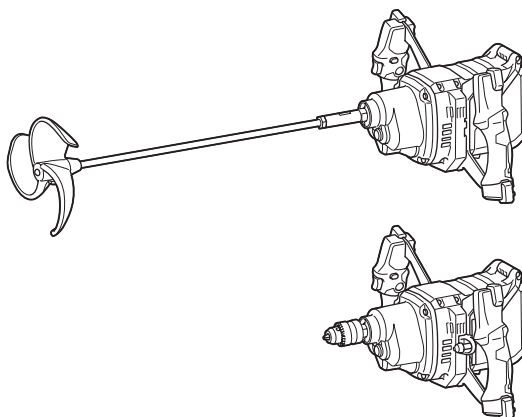




EN	Cordless Mixer	INSTRUCTION MANUAL	6
PL	Mieszarka Akumulatorowa	INSTRUKCJA OBSŁUGI	13
HU	Akkumulátoros keverő	HASZNÁLATI KÉZIKÖNYV	21
SK	Bezdrôtové miešadlo	NÁVOD NA OBSLUHU	29
CS	Akkumulátorová míchačka	NÁVOD K OBSLUZE	36
UK	Акумуляторний міксер	ІНСТРУКЦІЯ З ЕКСПЛУАТАЦІЇ	43
RO	Mixer cu acumulator	MANUAL DE INSTRUCȚIUNI	51
DE	Akku-Rührwerk	BETRIEBSANLEITUNG	59

UT001G
UT002G



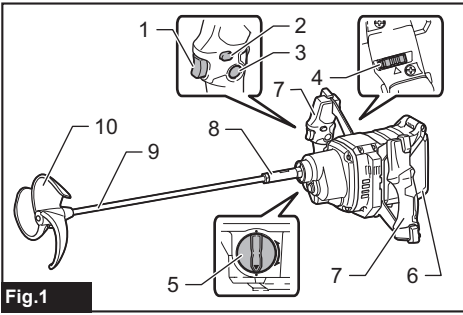


Fig. 1

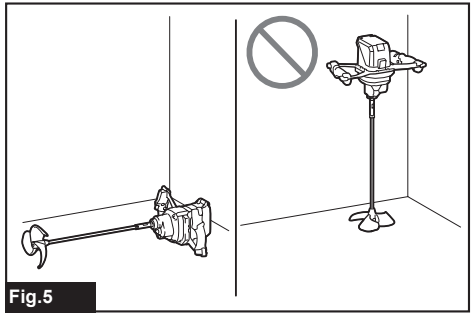


Fig. 5

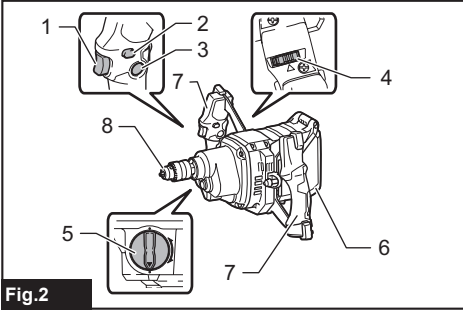


Fig. 2

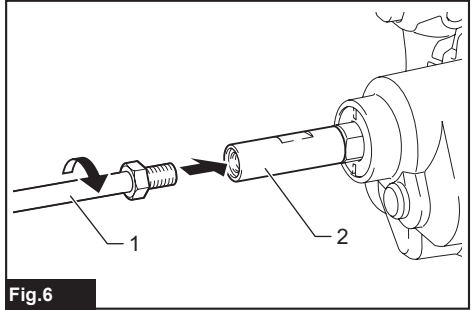


Fig. 6

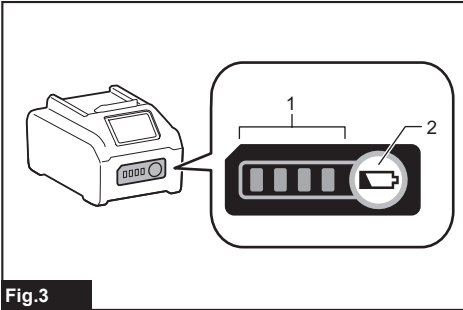


Fig. 3

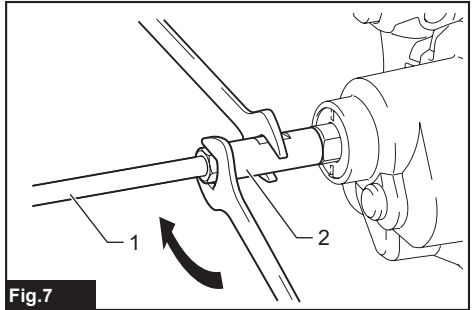


Fig. 7

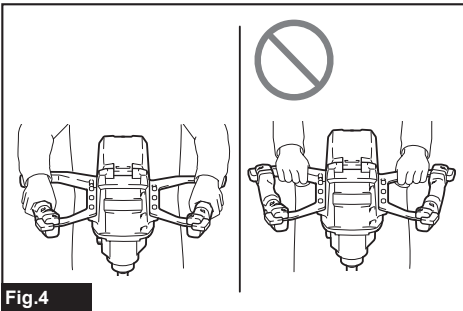


Fig. 4

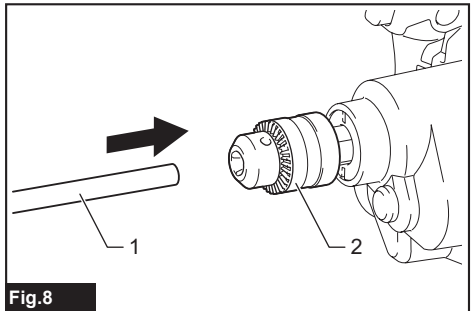


Fig. 8

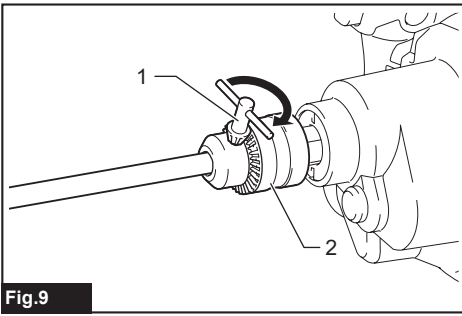


Fig.9

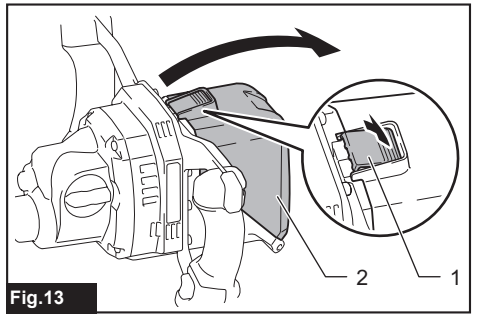


Fig.13

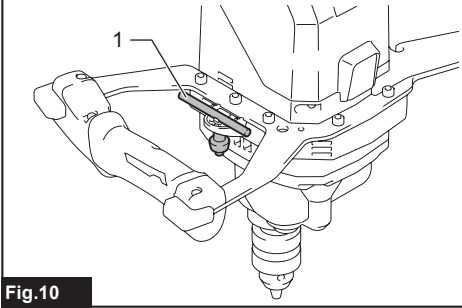


Fig.10

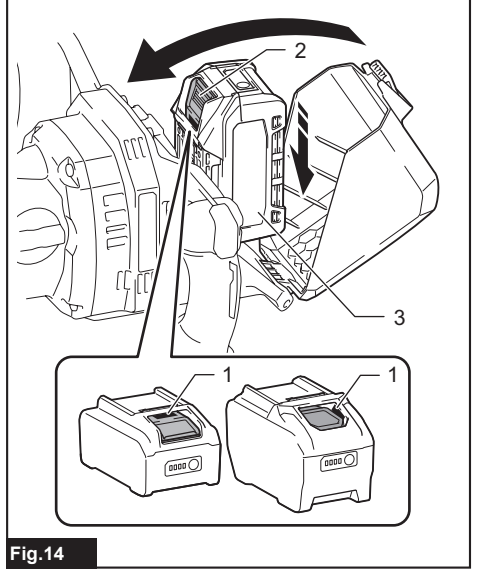


Fig.14

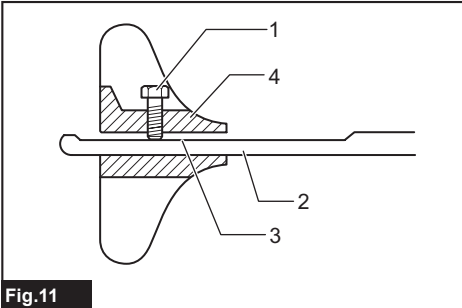


Fig.11

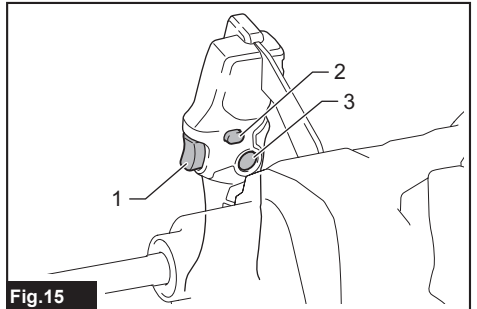


Fig.15

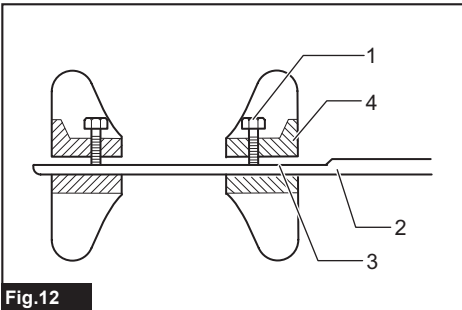
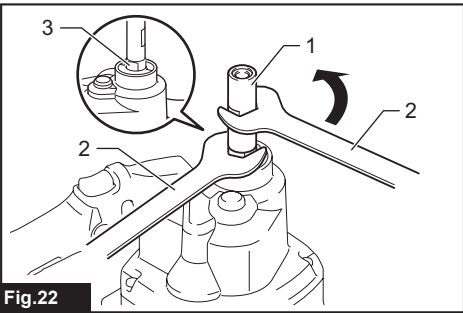
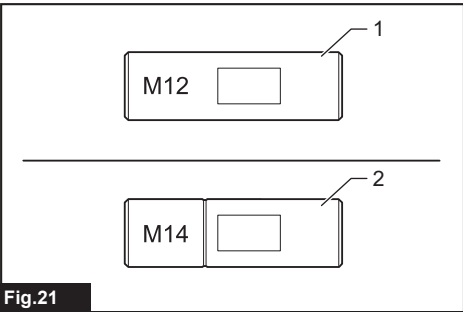
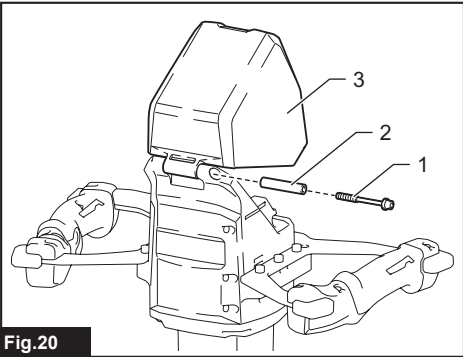
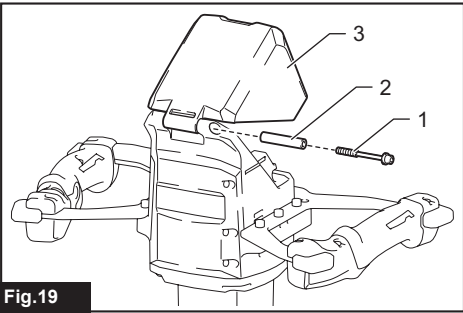
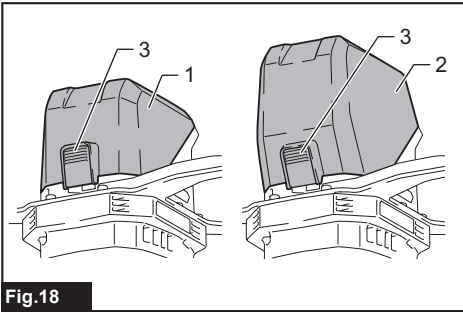
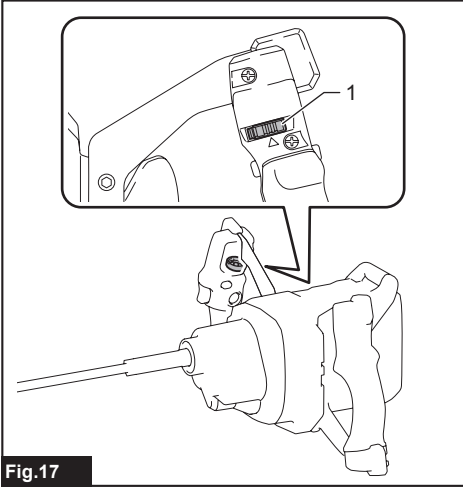
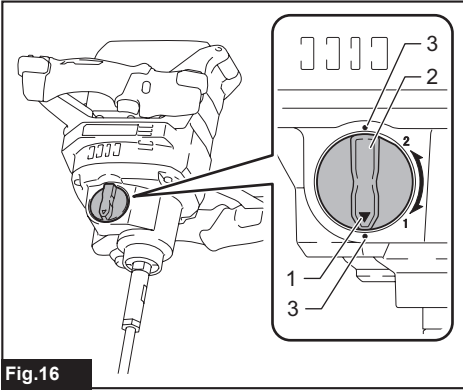
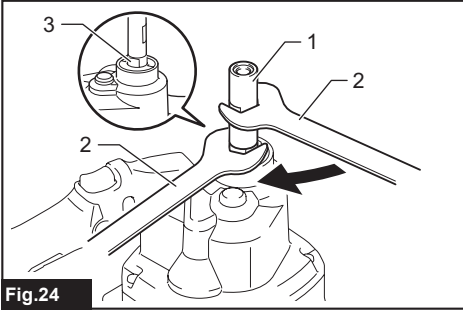
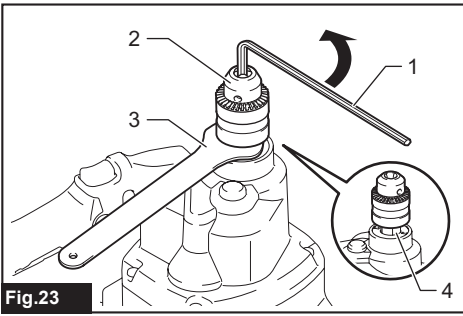


Fig.12





SPECIFICATIONS

Model:		UT001G	UT002G
No load speed	High speed mode	0 - 920 min ⁻¹	
	Low speed mode	0 - 500 min ⁻¹	
Maximum mixing blade diameter		240 mm	
Overall length (without shaft and mixing blade)	with battery cover S	373 mm	363 mm
	with battery cover L	412 mm	403 mm
Rated voltage		D.C. 36 V - 40 V max	
Net weight		5.7 - 7.0 kg	5.8 - 7.2 kg

- Due to our continuing program of research and development, the specifications herein are subject to change without notice.
- Specifications and battery cartridge may differ from country to country.
- The weight may differ depending on the attachment(s), including the battery cartridge. The lightest and heaviest combinations, according to EPTA-Procedure 01/2014, are shown in the table.

Applicable battery cartridge and charger

Battery cartridge	BL4020 / BL4025 / BL4040* / BL4050F* / BL4080F* * : Recommended battery
Charger	DC40RA / DC40RB / DC40RC

- Some of the battery cartridges and chargers listed above may not be available depending on your region of residence.

⚠ WARNING: Only use the battery cartridges and chargers listed above. Use of any other battery cartridges and chargers may cause injury and/or fire.

Symbols

The followings show the symbols which may be used for the equipment. Be sure that you understand their meaning before use.



Read instruction manual.



Do not use the tool in the rain.



Do not clean the tool with water.



Only for EU countries
Due to the presence of hazardous components in the equipment, waste electrical and electronic equipment, accumulators and batteries may have a negative impact on the environment and human health. Do not dispose of electrical and electronic appliances or batteries with household waste! In accordance with the European Directive on waste electrical and electronic equipment and on accumulators and batteries, as well as their adaptation to national law, waste electrical equipment, batteries and accumulators should be stored separately and delivered to a separate collection point for municipal waste, operating in accordance with the regulations on environmental protection. This is indicated by the symbol of the crossed-out wheeled bin placed on the equipment.

Intended use

The tool is intended for mixing wall materials, etc. (except flammable materials).

Noise

The typical A-weighted noise level determined according to EN62841-2-10:

Model UT001G

Sound pressure level (L_{pA}) : 81 dB (A)

Sound power level (L_{WA}) : 92 dB (A)

Uncertainty (K) : 3 dB (A)

Model UT002G

Sound pressure level (L_{pA}) : 81 dB (A)

Sound power level (L_{WA}) : 92 dB (A)

Uncertainty (K) : 3 dB (A)

NOTE: The declared noise emission value(s) has been measured in accordance with a standard test method and may be used for comparing one tool with another.

NOTE: The declared noise emission value(s) may also be used in a preliminary assessment of exposure.

⚠ WARNING: Wear ear protection.

⚠ WARNING: The noise emission during actual use of the power tool can differ from the declared value(s) depending on the ways in which the tool is used especially what kind of workpiece is processed.

⚠ WARNING: Be sure to identify safety measures to protect the operator that are based on an estimation of exposure in the actual conditions of use (taking account of all parts of the operating cycle such as the times when the tool is switched off and when it is running idle in addition to the trigger time).

Vibration

The vibration total value (tri-axial vector sum) determined according to EN62841-2-10:

Model UT001G

Work mode: operation without load
Vibration emission (a_{hv}): 2.5 m/s² or less
Uncertainty (K): 1.5 m/s²

Model UT002G

Work mode: operation without load
Vibration emission (a_{hv}): 2.5 m/s² or less
Uncertainty (K): 1.5 m/s²

NOTE: The declared vibration total value(s) has been measured in accordance with a standard test method and may be used for comparing one tool with another.

NOTE: The declared vibration total value(s) may also be used in a preliminary assessment of exposure.

⚠ WARNING: The vibration emission during actual use of the power tool can differ from the declared value(s) depending on the ways in which the tool is used especially what kind of workpiece is processed.

⚠ WARNING: Be sure to identify safety measures to protect the operator that are based on an estimation of exposure in the actual conditions of use (taking account of all parts of the operating cycle such as the times when the tool is switched off and when it is running idle in addition to the trigger time).

EC Declaration of Conformity

For European countries only

The EC declaration of conformity is included as Annex A to this instruction manual.

SAFETY WARNINGS

General power tool safety warnings

⚠ WARNING: Read all safety warnings, instructions, illustrations and specifications provided with this power tool. Failure to follow all instructions listed below may result in electric shock, fire and/or serious injury.

Save all warnings and instructions for future reference.

The term "power tool" in the warnings refers to your mains-operated (corded) power tool or battery-operated (cordless) power tool.

Cordless mixer safety warnings

1. **Hold the tool with both hands at the intended handles.** Loss of control can cause personal injury.
2. **Ensure sufficient ventilation when mixing flammable materials to avoid a hazardous atmosphere.** Developing vapour may be inhaled or be ignited by the sparks the power tool produces.
3. **Do not mix food.** Power tools and their accessories are not designed for processing food.
4. **Ensure that the mixing container is placed in a firm and secure position.** A container that is not properly secured may move unexpectedly.
5. **Follow the instructions and warnings for the material to be mixed.** Material to be mixed may be harmful.
6. **Do not reach into the mixing container with your hands or insert any other objects into it while mixing.** Contact with the mixer blade may lead to serious personal injury.
7. **Start up and run down the tool in the mixing container only.** The mixer blade may bend or spin in an uncontrolled manner.
8. **Ensure that no liquid splashes against the housing of the power tool.** Liquid that has penetrated the power tool can cause damage to the tool.
9. **Use auxiliary handles, if supplied with the tool.** Loss of control may cause personal injury.
10. **Hold power tool by insulated gripping surfaces, when performing an operation where the cutting accessory may contact hidden wiring.** Cutting accessory contacting a "live" wire may make exposed metal parts of the power tool "live" and could give the operator an electric shock.
11. **Always be sure you have a firm footing. Be sure no one is below when using the tool in high locations.**
12. **Hold the tool firmly.**
13. **Keep hands away from rotating parts.**
14. **Do not leave the tool running. Operate the tool only when you are holding it.**
15. **Some materials contain chemicals which may be toxic. Take caution to prevent dust inhalation and skin contact. Follow safety warnings by supplier of the material.**

16. When performing the mixing operation, place the mixing container on a flat and stable surface.

SAVE THESE INSTRUCTIONS.

⚠WARNING: DO NOT let comfort or familiarity with product (gained from repeated use) replace strict adherence to safety rules for the subject product. MISUSE or failure to follow the safety rules stated in this instruction manual may cause serious personal injury.

Important safety instructions for battery cartridge

1. Before using battery cartridge, read all instructions and cautionary markings on (1) battery charger, (2) battery, and (3) product using battery.
2. Do not disassemble or tamper with the battery cartridge. It may result in a fire, excessive heat, or explosion.
3. If operating time has become excessively shorter, stop operating immediately. It may result in a risk of overheating, possible burns and even an explosion.
4. If electrolyte gets into your eyes, rinse them out with clear water and seek medical attention right away. It may result in loss of your eyesight.
5. Do not short the battery cartridge:
 - (1) Do not touch the terminals with any conductive material.
 - (2) Avoid storing battery cartridge in a container with other metal objects such as nails, coins, etc.
 - (3) Do not expose battery cartridge to water or rain.

A battery short can cause a large current flow, overheating, possible burns and even a breakdown.

6. Do not store and use the tool and battery cartridge in locations where the temperature may reach or exceed 50 °C (122 °F).
7. Do not incinerate the battery cartridge even if it is severely damaged or is completely worn out. The battery cartridge can explode in a fire.
8. Do not nail, cut, crush, throw, drop the battery cartridge, or hit against a hard object to the battery cartridge. Such conduct may result in a fire, excessive heat, or explosion.
9. Do not use a damaged battery.
10. The contained lithium-ion batteries are subject to the Dangerous Goods Legislation requirements.

For commercial transports e.g. by third parties, forwarding agents, special requirement on packaging and labeling must be observed.

For preparation of the item being shipped, consulting an expert for hazardous material is required. Please also observe possibly more detailed national regulations.

Tape or mask off open contacts and pack up the battery in such a manner that it cannot move around in the packaging.

11. When disposing the battery cartridge, remove it from the tool and dispose of it in a safe place. Follow your local regulations relating to disposal of battery.
12. Use the batteries only with the products specified by Makita. Installing the batteries to non-compliant products may result in a fire, excessive heat, explosion, or leak of electrolyte.
13. If the tool is not used for a long period of time, the battery must be removed from the tool.
14. During and after use, the battery cartridge may take on heat which can cause burns or low temperature burns. Pay attention to the handling of hot battery cartridges.
15. Do not touch the terminal of the tool immediately after use as it may get hot enough to cause burns.
16. Do not allow chips, dust, or soil stuck into the terminals, holes, and grooves of the battery cartridge. It may cause heating, catching fire, burst and malfunction of the tool or battery cartridge, resulting in burns or personal injury.
17. Unless the tool supports the use near high-voltage electrical power lines, do not use the battery cartridge near a high-voltage electrical power lines. It may result in a malfunction or breakdown of the tool or battery cartridge.
18. Keep the battery away from children.

SAVE THESE INSTRUCTIONS.

⚠CAUTION: Only use genuine Makita batteries. Use of non-genuine Makita batteries, or batteries that have been altered, may result in the battery bursting causing fires, personal injury and damage. It will also void the Makita warranty for the Makita tool and charger.

Tips for maintaining maximum battery life

1. Charge the battery cartridge before completely discharged. Always stop tool operation and charge the battery cartridge when you notice less tool power.
2. Never recharge a fully charged battery cartridge. Overcharging shortens the battery service life.
3. Charge the battery cartridge with room temperature at 10 °C - 40 °C (50 °F - 104 °F). Let a hot battery cartridge cool down before charging it.
4. When not using the battery cartridge, remove it from the tool or the charger.
5. Charge the battery cartridge if you do not use it for a long period (more than six months).

PARTS DESCRIPTION

Model UT001G

► Fig.1

1	Switch trigger	2	Lock-off button
3	Lock button	4	Speed adjusting dial
5	Speed change knob	6	Battery cover
7	Handle	8	Shaft holder
9	Shaft	10	Mixing blade

Model UT002G

► Fig.2

1	Switch trigger	2	Lock-off button
3	Lock button	4	Speed adjusting dial
5	Speed change knob	6	Battery cover
7	Handle	8	Chuck

PREPARATION BEFORE USE

Indicating the remaining battery capacity

Press the check button on the battery cartridge to indicate the remaining battery capacity. The indicator lamps light up for a few seconds.

► **Fig.3:** 1. Indicator lamps 2. Check button

Indicator lamps			Remaining capacity
Lighted	Off	Blinking	
■	□	▧	75% to 100%
■ ■ ■ ■			
■ ■ ■	□		50% to 75%
■ ■	□ □		25% to 50%
■	□ □ □		0% to 25%
▧	□ □ □		Charge the battery.
■ ■ □ □	↑ ↓	□ □ ■ ■	The battery may have malfunctioned.

NOTE: Depending on the conditions of use and the ambient temperature, the indication may differ slightly from the actual capacity.

NOTE: The first (far left) indicator lamp will blink when the battery protection system works.

Things you need to know before use

Hold the handle when using or carrying the tool.

► **Fig.4**

CAUTION: Do not hold the sheet metal part. Sharp areas may cause injury.

Tool / battery protection system

The tool is equipped with a tool/battery protection system. This system automatically cuts off power to the motor to extend tool and battery life. The tool will automatically stop during operation if the tool or battery is placed under one of the following conditions:

Overload protection

When the tool/battery is operated in a manner that causes it to draw an abnormally high current, the tool automatically stops. In this situation, turn the tool off and stop the application that caused the tool to become overloaded. Then turn the tool on to restart.

Overheat protection

When the tool/battery is overheated, the tool stops automatically. In this situation, let the tool/battery cool before turning the tool on again.

Overdischarge protection

When the battery capacity becomes low, the tool stops automatically. If the product does not operate even when the switches are operated, remove the batteries from the tool and change the batteries.

HOW TO USE

CAUTION: Always be sure that the tool is switched off and the battery cartridge is removed before carrying out any work on the tool.

NOTICE: When you are not working, lay the machine down and store it.

► **Fig.5**

Assembly

Installing the shaft

Optional accessory

For UT001G

1. Tighten the shaft into the shaft holder.

► **Fig.6:** 1. Shaft 2. Shaft holder

2. Hold the flats on the shaft holder with wrench 19 so that the shaft holder cannot revolve. With the flats held so, tighten the hex nut with another wrench 19 in the direction of arrow.

► **Fig.7:** 1. Shaft 2. Shaft holder

For UT002G

1. Insert the shaft into the chuck as far as it will go.
▶ **Fig.8:** 1. Shaft 2. Chuck
2. Tighten the chuck by hand, and then place the chuck key in each of three holes and tighten it clockwise. Be sure to tighten the chuck key at all three holes evenly.
▶ **Fig.9:** 1. Chuck key 2. Chuck
3. To remove the shaft, turn the chuck key counterclockwise at one of the holes, and then loosen the chuck by hand.
4. When not in use, store the chuck key as shown in the figure to keep it from being lost.
▶ **Fig.10:** 1. Chuck key

Installing the mixing blade

Optional accessory

Insert the mixing blade into the shaft and secure it with the hex bolt. At this time, position it so that the top end of the hex bolt always fits to the flat surface on the shaft and tighten the hex bolt with the provided wrench.

- ▶ **Fig.11:** 1. Hex bolt 2. Shaft 3. Flat surface 4. Mixing blade

When installing the mixing blades at two different positions, mount and secure the two mixing blades on the flat part of the shaft with the hex bolts so that the same surface of the mixing blades faces each other as shown in the figure.

- ▶ **Fig.12:** 1. Hex bolt 2. Shaft 3. Flat surface 4. Mixing blade

NOTE: Ask your local Makita Service Center about which mixing blades are allowed.

Installing or removing battery cartridge

CAUTION: Always switch off the tool before installing or removing of the battery cartridge.

CAUTION: Hold the tool and the battery cartridge firmly when installing or removing battery cartridge. Failure to hold the tool and the battery cartridge firmly may cause them to slip off your hands and result in damage to the tool and battery cartridge and a personal injury.

CAUTION: Do not use this tool with the battery adapter. If you connect the battery adapter to the tool, the battery cover cannot be closed, and using the tool with battery cover opened may cause an injury.

CAUTION: Be careful not to pinch your fingers when opening or closing the battery cover.

NOTICE: Install a battery cover that matches the size of the battery.

Open the battery cover while pressing the button on the battery cover.

- ▶ **Fig.13:** 1. Button 2. Battery cover

To remove the battery cartridge, slide it from the tool while sliding the button on the front of the cartridge.

- ▶ **Fig.14:** 1. Red indicator 2. Button 3. Battery cartridge

To install the battery cartridge, align the tongue on the battery cartridge with the groove in the housing and slip it into place. Insert it all the way until it locks in place with a little click. If you can see the red indicator as shown in the figure, it is not locked completely.

After installing the battery cartridge, close the battery cover securely.

CAUTION: Always install the battery cartridge fully until the red indicator cannot be seen. If not, it may accidentally fall out of the tool, causing injury to you or someone around you.

CAUTION: Do not install the battery cartridge forcibly. If the cartridge does not slide in easily, it is not being inserted correctly.

Switch action

WARNING: Before installing the battery cartridge into the tool, always make sure that the switch trigger actuates properly and returns to the "OFF" position by fully pulling and releasing it.

WARNING: NEVER defeat the lock-off button by taping down or some other means. A switch with a negated lock-off button may result in unintentional operation and serious personal injury.

WARNING: NEVER use the tool if it runs when you simply pull the switch trigger without pressing the lock-off button. A switch in need of repair may result in unintentional operation and serious personal injury. Return tool to a Makita service center for proper repairs BEFORE further usage.

WARNING: Do not install the battery cartridge with the lock button engaged.

To prevent the switch trigger from being accidentally pulled, a lock-off button is provided. To start the tool, depress the lock-off button and pull the switch trigger. Tool speed is increased by increasing pressure on the switch trigger. Release the switch trigger to stop.

For continuous operation, depress the lock button while pulling the switch trigger, and then release the switch trigger. To stop the tool, pull the switch trigger fully, then release it.

- ▶ **Fig.15:** 1. Switch trigger 2. Lock-off button 3. Lock button

Operation of speed change knob

NOTICE: Use the speed change knob only after the tool comes to a complete stop. Changing the tool speed mode before the tool stops may damage the tool.

NOTICE: Always set the speed change knob carefully into the correct position. If you operate the tool with the speed change knob positioned halfway between the position 1 and the position 2, the tool may be damaged.

NOTICE: If the rotation speed significantly decreases during operation in the high speed mode, stop the tool and change the mode to the low speed mode. Otherwise, the motor may get overloaded and cause a malfunction or fire.

Two speed ranges can be preselected with the speed change knob.

Select the proper speed mode for the material to be mixed.

To change the speed mode, turn the speed change knob so that the pointer points to the dot at position 1 for low speed mode or the dot at position 2 for high speed mode.

► **Fig.16:** 1. Pointer 2. Speed change knob 3. Dot

Operation of speed adjusting dial

The tool speed can be adjusted steplessly by turning the speed adjusting dial. The no load speed when the switch trigger is fully pulled can be adjusted 270 min^{-1} to 500 min^{-1} at low speed mode, 500 min^{-1} to 920 min^{-1} at high speed mode. Higher speed is obtained when the dial is turned in the direction of number 5; lower speed is obtained when it is turned in the direction of number 1.

Select the proper speed for the material to be mixed.

► **Fig.17:** 1. Speed adjusting dial

NOTICE: The speed adjusting dial can be turned only as far as 5 and back to 1. Do not force it past 5 or 1.

Accidental restart preventive function

If you install the battery cartridge while pulling the switch trigger or locking the switch trigger, the tool does not start. To start the tool, release the switch trigger, and then pull the switch trigger.

Electronic function

The tool is equipped with the following electronic function for easy operation.

Soft start

The soft-start function minimizes start-up shock, and makes the tool start smoothly.

Basic operations

CAUTION: Do not mix flammable materials or operate the tool around flammable materials such as paint with thinner used as solvent. Failure to do so may cause an injury.

CAUTION: Do not mix high viscosity material in the high speed mode. You may lose the control of the tool and cause an injury.

CAUTION: Do not rotate the mixing blade outside the stirring vessel.

CAUTION: If you hear an abnormal noise during use, turn off the switch and stop using the tool.

NOTICE: When you mix the material while the mixing blade floating out of the material, be careful not to splash the material.

NOTICE: Do not use the tool for any purpose other than stirring mortar, concrete, etc.

1. Select high speed mode or low speed mode according to the material to be mixed.
2. Hold the tool firmly with both hands. Place the mixing blade under material fully. Check that the material is not solidified and the safety of the work site, then turn on the tool.
3. Move the mixing blade up and down during the mixing operation so that whole part of material can be mixed.
4. When finishing mixing, turn off the tool. Make sure that the mixing blade has come to a complete stop, and then pull it out of the mixing container.

Applied operations

CAUTION: Always be sure that the tool is switched off and the battery cartridge is removed before adjusting or checking function on the tool.

Replacing battery cover

Optional accessory

Install one of the battery covers to fit the size of your battery cartridge.

► **Fig.18:** 1. Battery cover S 2. Battery cover L 3. Button

1. Open the standard equipped battery cover while pressing the button on the battery cover.
2. Loosen the screw securing the standard equipped battery cover. Then remove the screw, sleeve and the battery cover.

► **Fig.19:** 1. Screw 2. Sleeve 3. Battery cover (standard equipped)

NOTE: The sleeve may remain in the mounting holes. In that case, pull it out using a screw or the like.

3. Align the mounting hole on the optional battery cover with the mounting holes on the housing. Insert the sleeve. Then tighten the screws to secure it in place.
- **Fig.20:** 1. Screw 2. Sleeve 3. Battery cover (optional)
4. Close the battery cover securely.

Installing or removing the shaft holder

country specific

For UT001G

Install one of the shaft holders optionally available to fit your screw size of the shaft.

► **Fig.21:** 1. M12 shaft holder 2. M14 shaft holder

While holding the spindle with a wrench, loosen the shaft holder with another wrench.

► **Fig.22:** 1. Shaft holder 2. Wrench 3. Spindle

To install the shaft holder, perform the removal procedure in reverse.

For UT002G

1. Insert the hex wrench into the chuck, and then loosen the chuck with the hex wrench while holding the spindle with the wrench.

► **Fig.23:** 1. Hex wrench 2. Chuck 3. Wrench 4. Spindle

2. Tighten the shaft holder with a wrench while holding the spindle with another wrench.

► **Fig.24:** 1. Shaft holder 2. Wrench 3. Spindle

Handling after use

Use a wet cloth or the like to carefully wipe off the material left on the tool after use. Extra care should be given to thorough cleaning of the vents, switch area, cover openings, etc.

NOTICE: Avoid cleaning the tool in water. Water will get into the motor housing and cause motor failure.

MAINTENANCE

CAUTION: Always be sure that the tool is switched off and the battery cartridge is removed before attempting to perform inspection or maintenance.

NOTICE: Never use gasoline, benzine, thinner, alcohol or the like. Discoloration, deformation or cracks may result.

To maintain product SAFETY and RELIABILITY, repairs, any other maintenance or adjustment should be performed by Makita Authorized or Factory Service Centers, always using Makita replacement parts.

Troubleshooting

Before asking for repairs, check the following points.

1. Turn the tool off, and then turn it on again to restart.
2. Charge the battery(ies) or replace it/them with recharged battery(ies).
3. Let the tool and battery(ies) cool down.

If no improvement can be found by restoring protection system, then contact your local Makita Service Center.

OPTIONAL ACCESSORIES

CAUTION: These accessories or attachments are recommended for use with your Makita tool specified in this manual. The use of any other accessories or attachments might present a risk of injury to persons. Only use accessory or attachment for its stated purpose.

If you need any assistance for more details regarding these accessories, ask your local Makita Service Center.

- Mixing blade
- Shaft
- Battery cover
- Makita genuine battery and charger

NOTE: Some items in the list may be included in the tool package as standard accessories. They may differ from country to country.

DANE TECHNICZNE

Model:		UT001G	UT002G
Prędkość bez obciążenia	Tryb wysokiej prędkości	0–920 min ⁻¹	
	Tryb niskiej prędkości	0–500 min ⁻¹	
Maksymalna średnica wirnika mieszającego		240 mm	
Długość całkowita (bez drążka i wirnika mieszającego)	z pokrywą akumulatora S	373 mm	363 mm
	z pokrywą akumulatora L	412 mm	403 mm
Napięcie znamionowe		Prąd stały 36 V–40 V maks.	
Masa netto		5,7–7,0 kg	5,8–7,2 kg

- W związku ze stale prowadzonym przez naszą firmę programem badawczo-rozwojowym niniejsze dane mogą ulec zmianom bez wcześniejszego powiadomienia.
- W innych krajach urządzenie może mieć odmienne parametry techniczne i może być wyposażone w inny akumulator.
- Masa może być różna w zależności od osprzętu, w tym akumulatora. W tabeli przedstawiona jest najlżejsza i najcięższa konfiguracja, zgodnie z procedurą EPTA 01/2014.

Kompatybilne akumulatory i ładowarki

Akumulator	BL4020 / BL4025 / BL4040* / BL4050F* / BL4080F* *: Zalecany akumulator
Ładowarka	DC40RA / DC40RB / DC40RC

- Pewne z wymienionych powyżej akumulatorów i ładowarek mogą być niedostępne w regionie zamieszkania użytkownika.

⚠ OSTRZEŻENIE: Należy używać wyłącznie akumulatorów i ładowarek wymienionych powyżej.
Używanie innych akumulatorów i ładowarek może stwarzać ryzyko wystąpienia obrażeń ciała lub pożaru.

Symbole

Poniżej pokazano symbole, jakie mogą być zastosowane na urządzeniu. Przed rozpoczęciem użytkowania należy zapoznać się z ich znaczeniem.



Przeczytać instrukcję obsługi.



Narzędzia nie należy używać w czasie opadów deszczu.



Nie należy czyścić narzędzia wodą.



Dotyczy tylko państw UE

Z uwagi na obecność w sprzęcie niebezpiecznych składników, zużyty sprzęt elektryczny, elektroniczny, akumulatory oraz baterie mogą powodować negatywny wpływ na środowisko i zdrowie ludzi. Nie wyrzucaj urządzeń elektrycznych, elektronicznych lub akumulatorów wraz z odpadami z gospodarstwa domowego! Zgodnie z Europejską Dyrektywą w sprawie zużytego sprzętu elektrycznego i elektronicznego oraz dotyczącą akumulatorów i baterii oraz zużytych akumulatorów i baterii, a także dostosowaniem ich do prawa krajowego, zużyte urządzenia elektryczne, elektroniczne, baterie i akumulatory, należy składować osobno i przekazywać do punktu selektywnej zbiórki odpadów komunalnych, działającego zgodnie z przepisami dotyczącymi ochrony środowiska. Informuje o tym symbol przekreślonego kołowego kontenera na odpady umieszczony na sprzęcie.

Przeznaczenie

Narzędzie służy do mieszania materiałów ściennych itp. (z wyjątkiem materiałów łatwopalnych).

Hałas

Typowy równoważny poziom dźwięku A określony w oparciu o normę EN62841-2-10:

Model UT001G

Poziom ciśnienia akustycznego (L_{pA}): 81 dB(A)

Poziom mocy akustycznej (L_{WA}): 92 dB (A)

Niepewność (K): 3 dB(A)

Model UT002G

Poziom ciśnienia akustycznego (L_{pA}): 81 dB(A)

Poziom mocy akustycznej (L_{WA}): 92 dB (A)

Niepewność (K): 3 dB(A)

WSKAZÓWKA: Deklarowana wartość emisji hałasu została zmierzona zgodnie ze standardową metodą testową i można ją wykorzystać do porównywania narzędzi.

WSKAZÓWKA: Deklarowaną wartość emisji hałasu można także wykorzystać we wstępnej ocenie narażenia.

⚠️ OSTRZEŻENIE: Nosić ochronniki słuchu.

⚠️ OSTRZEŻENIE: Poziom hałasu wytwarzanego podczas rzeczywistego użytkowania elektronarzędzia może się różnić od wartości deklarowanej w zależności od sposobu użytkowania narzędzia, a w szczególności od rodzaju obrabianego elementu.

⚠️ OSTRZEŻENIE: W oparciu o szacowane narażenie w rzeczywistych warunkach użytkowania należy określić środki bezpieczeństwa w celu zapewnienia ochrony operatora (uwzględniając wszystkie elementy cyklu działania, tj. czas, kiedy narzędzie jest wyłączone i kiedy pracuje na biegu jałowym, a także czas, kiedy jest włączone).

Drgania

Całkowita wartość poziomu drgań (suma wektorów w 3 osiach) określona zgodnie z normą EN62841-2-10:

Model UT001G

Tryb pracy: praca bez obciążenia

Emisja drgań (a_{h1}): 2,5 m/s² lub mniej

Niepewność (K): 1,5 m/s²

Model UT002G

Tryb pracy: praca bez obciążenia

Emisja drgań (a_{h1}): 2,5 m/s² lub mniej

Niepewność (K): 1,5 m/s²

WSKAZÓWKA: Deklarowana wartość poziomu drgań została zmierzona zgodnie ze standardową metodą testową i można ją wykorzystać do porównywania narzędzi.

WSKAZÓWKA: Deklarowaną wartość poziomu drgań można także wykorzystać we wstępnej ocenie narażenia.

⚠️ OSTRZEŻENIE: Drgania wytwarzane podczas rzeczywistego użytkowania elektronarzędzia mogą się różnić od wartości deklarowanej w zależności od sposobu użytkowania narzędzia, a w szczególności od rodzaju obrabianego elementu.

⚠️ OSTRZEŻENIE: W oparciu o szacowane narażenie w rzeczywistych warunkach użytkowania należy określić środki bezpieczeństwa w celu zapewnienia ochrony operatora (uwzględniając wszystkie elementy cyklu działania, tj. czas, kiedy narzędzie jest wyłączone i kiedy pracuje na biegu jałowym, a także czas, kiedy jest włączone).

Deklaracja zgodności WE

Dotyczy tylko krajów europejskich

Deklaracja zgodności WE jest dołączona jako załącznik A do niniejszej instrukcji obsługi.

OSTRZEŻENIA DOTYCZĄCE BEZPIECZEŃSTWA

Ogólne zasady bezpiecznej eksploatacji elektronarzędzi

⚠️ OSTRZEŻENIE: Należy zapoznać się z ostrzeżeniami dotyczącymi bezpieczeństwa, instrukcjami, ilustracjami i danymi technicznymi dołączonymi do tego elektronarzędzia. Niezastosowanie się do podanych poniżej instrukcji może prowadzić do porażenia prądem, pożaru i/lub poważnych obrażeń ciała.

Wszystkie ostrzeżenia i instrukcje należy zachować do wykorzystania w przyszłości.

Pojęcie „elektronarzędzie”, występujące w wymienionych tu ostrzeżeniach, odnosi się do elektronarzędzia zasilanego z sieci elektrycznej (z przewodem zasilającym) lub do elektronarzędzia akumulatorowego (bez przewodu zasilającego).

Ostrzeżenia dotyczące bezpieczeństwa dla mieszarki akumulatorowej

1. Trzymać narzędzie obiema rękami za przeznaczone do tego celu uchwyty. Utrata kontroli może spowodować obrażenia ciała.
2. Podczas mieszania materiałów łatwopalnych należy zadbać o odpowiednią wentylację, aby zapobiec powstaniu atmosfery wybuchowej. Powstałe opary mogą dostać się do dróg oddechowych lub zapalić się od generowanych przez elektronarzędzie iskier.

3. **Nie mieszać produktów spożywczych.** Elektronarzędzia oraz ich akcesoria nie są przeznaczone do kontaktu z żywnością.
4. **Należy zadbać o to, aby pojemnik do mieszania był ustawiony w sposób stabilny i odpowiednio zabezpieczony.** Nieodpowiednio zabezpieczony pojemnik może się nieoczekiwanie poruszyć.
5. **Należy stosować się do zaleceń oraz ostrzeżeń dotyczących mieszanych materiałów.** Mieszane materiały mogą być szkodliwe.
6. **Podczas mieszania nie wkładać do pojemnika rąk ani żadnych przedmiotów.** Kontakt z wirnikiem mieszającym może spowodować poważne obrażenia ciała.
7. **Uruchamiać i zatrzymywać narzędzie wyłącznie wewnątrz pojemnika do mieszania.** Wirnik mieszający może się wygiąć lub zacząć się obracać w sposób niekontrolowany.
8. **Należy uważać, aby obudowa elektronarzędzia nie została ochlapana płynem.** Jeśli do wnętrza elektronarzędzia dostanie się płyn, może on spowodować uszkodzenie narzędzia.
9. **Jeśli narzędzie wyposażone jest w uchwyty dodatkowe, należy ich używać.** Utrata kontroli może spowodować obrażenia ciała.
10. **Trzymać elektronarzędzie za izolowane powierzchnie rękojeści podczas wykonywania prac, przy których osprzęt tnący mógłby dotknąć niewidocznej instalacji elektrycznej.** Zetknięcie osprzętu z przewodem elektrycznym znajdującym się pod napięciem może spowodować, że odsłonięte elementy metalowe elektronarzędzia również znajdują się pod napięciem, grożąc porażeniem operatorem prądem elektrycznym.
11. **Podczas pracy należy zadbać o stabilne oparcie dla nóg.** W przypadku pracy na wysokości upewnić się, że poniżej nie znajdują się żadne osoby.
12. **Narzędzie należy trzymać mocno i pewnie.**
13. **Trzymać ręce z dala od części obrotowych.**
14. **Nie pozostawiać narzędzia włączonego.** Włączone narzędzie należy zawsze trzymać.
15. **Niektóre materiały zawierają substancje chemiczne, które mogą być toksyczne.** Unikać wdychania pyłu i kontaktu pyłu ze skórą. Należy stosować się do ostrzeżeń dotyczących bezpieczeństwa wydanych przez dostawcę materiału.
16. **Przed rozpoczęciem mieszania pojemnik umieścić na płaskiej i stabilnej powierzchni.**

ZACHOWAĆ NINIEJSZĄ INSTRUKCJĘ.

⚠ OSTRZEŻENIE: NIE WOLNO pozwolić, aby wygoda lub rutyna (nabyta w wyniku wielokrotnego używania urządzenia) zastąpiły ścisłe przestrzeganie zasad bezpieczeństwa obsługi. **NIEWŁAŚCIWE UŻYTKOWANIE** narzędzia lub niestosowanie się do zasad bezpieczeństwa podanych w niniejszej instrukcji obsługi może prowadzić do poważnych obrażeń ciała.

Ważne zasady bezpieczeństwa dotyczące akumulatora

1. **Przed użyciem akumulatora zapoznać się ze wszystkimi instrukcjami i znakami ostrzegawczymi na (1) ładowarce, (2) akumulatorze i (3) produkcie, w którym będzie używany akumulator.**
2. **Nie rozmontowywać ani modyfikować akumulatora.** Może to spowodować pożar, przegrzanie lub wybuch.
3. **Jeśli czas działania uległ znacznemu skróceniu, należy natychmiast przerwać pracę.** Może bowiem dojść do przegrzania, ewentualnych poparzeń, a nawet eksplozji.
4. **W przypadku przedostania się elektrolitu do oczu, przemyć je czystą wodą i niezwłocznie uzyskać pomoc lekarską.** Może on bowiem spowodować utratę wzroku.
5. **Nie doprowadzać do zwarcia akumulatora:**
 - (1) **Nie dotykać styków materiałami przewodzącymi prąd.**
 - (2) **Unikać przechowywania akumulatora w pojemniku z metalowymi przedmiotami, takimi jak gwoździe, monety itp.**
 - (3) **Chronić akumulator przed deszczem lub wodą.**

Zwarcie prowadzi do przepływu prądu elektrycznego o dużym natężeniu i przegrzania akumulatora, co w konsekwencji może grozić poparzeniami a nawet awarią urządzenia.
6. **Narzędzia i akumulatora nie wolno przechowywać ani używać w miejscach, w których temperatura osiąga bądź przekracza 50°C (122°F).**
7. **Akumulatorów nie wolno spalać, również tych poważnie uszkodzonych lub całkowicie zużytych.** Akumulator może eksplodować w ogniu.
8. **Nie należy przecinać ani zginać akumulatora, wbijać w niego gwoździ, rzucać nim, upuszczać, ani uderzać akumulatorem o twarde obiekty.** Takie działanie może spowodować pożar, przegrzanie lub wybuch.
9. **Nie wolno używać uszkodzonego akumulatora.**
10. **Stanowiące wyposażenie akumulatory litowo-jonowe podlegają przepisom dotyczącym produktów niebezpiecznych.**

Na potrzeby transportu komercyjnego, np. świadczony przez firmy trzecie czy spedycyjne, należy przestrzegać specjalnych wymagań w zakresie pakowania i oznaczania etykietami. Przygotowanie produktu do wysyłki wymaga skonsultowania się ze specjalistą ds. materiałów niebezpiecznych. Należy także przestrzegać przepisów krajowych, które mogą być bardziej szczegółowe. Zakleić taśmą lub zaślepić otwarte styki akumulatora oraz zabezpieczyć go, aby nie mógł się przesuwać w opakowaniu.
11. **Jeśli zajdzie konieczność utylizacji akumulatora, należy wyjąć go z narzędzia i przekazać w bezpieczne miejsce.** Postępować zgodnie z przepisami lokalnymi dotyczącymi utylizacji akumulatorów.

12. **Używać akumulatorów tylko z produktami określonymi przez firmę Makita.** Zastosowanie akumulatorów w niezgodnych produktach może spowodować pożar, przegrzanie, wybuch lub wyciek elektrolitu.
13. **Jeśli narzędzie nie będzie używane przez dłuższy czas, należy wyjąć z niego akumulator.**
14. **Przed użyciem akumulatora i po jego użyciu akumulator może pozostawać nagrany, co może spowodować poparzenia lub poparzenia w niskiej temperaturze. Z gorącym akumulatorem należy obchodzić się ostrożnie.**
15. **Nie należy dotykać styku narzędzia bezpośrednio po jego użyciu, ponieważ może on być na tyle gorący, że spowoduje oparzenia.**
16. **Nie należy dopuszczać, aby wióry, kurz lub brud gromadziły się na stykach, w otworach i rowkach akumulatora.** Może to doprowadzić do przegrzania, pożaru, wybuchu lub uszkodzenia narzędzia lub akumulatora, co może spowodować oparzenia lub obrażenia ciała.
17. **Jeśli narzędzie nie jest przeznaczone do użytku w pobliżu linii wysokiego napięcia, nie należy korzystać z akumulatora w ich sąsiedztwie.** Może to spowodować nieprawidłowości w działaniu lub uszkodzenie narzędzia lub akumulatora.
18. **Przechowywać akumulator w miejscu niedostępnym dla dzieci.**

ZACHOWAĆ NINIEJSZE INSTRUKCJE.

⚠ PRZESTROGA: Używać wyłącznie oryginalnych akumulatorów firmy Makita. Używanie nieoryginalnych akumulatorów firm innych niż Makita lub akumulatorów, które zostały zmodyfikowane, może spowodować wybuch akumulatora i pożar, obrażenia ciała oraz zniszczenie mienia. Stanowi to również naruszenie warunków gwarancji firmy Makita dotyczących narzędzia i ładowarki.

Wskazówki dotyczące zachowania maksymalnej trwałości akumulatora

1. **Akumulator należy naładować zanim zostanie do końca rozładowany. Po zauważeniu spadku mocy narzędzia należy przerwać pracę i naładować akumulator.**
2. **Nie wolno ładować powtórnie w pełni naładowanego akumulatora. Przeładowanie akumulatora skraca jego trwałość.**
3. **Akumulator należy ładować w temperaturze pokojowej w przedziale 10–40°C (50–104°F). W przypadku gorącego akumulatora przed przystąpieniem do ładowania należy poczekać, aż ostygnie.**
4. **Jeśli akumulator nie jest używany, należy go wyjąć z narzędzia lub ładowarki.**
5. **Akumulatory niklowo-wodorkowe należy naładować po okresie długiego nieużytkowania (dłuższego niż sześć miesięcy).**

OPIS CZĘŚCI

Model UT001G

► Rys.1

1	Spust przełącznika	2	Przycisk blokady włączenia
3	Przycisk blokady	4	Pokrętło regulacji prędkości
5	Przełącznik zmiany prędkości	6	Pokrywa akumulatora
7	Uchwyt	8	Uchwyt drążka
9	Drążek	10	Wirnik mieszający

Model UT002G

► Rys.2

1	Spust przełącznika	2	Przycisk blokady włączenia
3	Przycisk blokady	4	Pokrętło regulacji prędkości
5	Przełącznik zmiany prędkości	6	Pokrywa akumulatora
7	Uchwyt	8	Uchwyt wiertarski

PRZYGOTOWANIE PRZED UŻYCIEM

Wskazanie stanu naładowania akumulatora

Nacisnąć przycisk kontrolny na akumulatorze w celu wyświetlenia stanu naładowania akumulatora. Lampki wskaźnika zaświecą się przez kilka sekund.

► **Rys.3:** 1. Lampki wskaźnika 2. Przycisk kontrolny

Lampki wskaźnika			Pozostała energia akumulatora
Świeci się	Wyłączony	Miga	
■	□	▧	75–100%
■ ■ ■ ■	□ □ □ □	▧	
■ ■ ■ ■	□ □ □ □	▧	50–75%
■ ■ ■ ■	□ □ □ □	▧	25–50%
■ ■ ■ ■	□ □ □ □	▧	0–25%
▧	□ □ □ □	▧	Naładować akumulator.
■ ■ ■ ■	□ □ □ □	▧	Akumulator może nie działać poprawnie.
□ □ □ □	■ ■ ■ ■	▧	

WSKAZÓWKA: Zależnie od warunków użytkowania i temperatury otoczenia, wskaźwany poziom może nieznacznie się różnić od rzeczywistego stanu naładowania akumulatora.

WSKAZÓWKA: Pierwsza (skrajnie po lewej stronie) lampka wskaźnika miga, gdy układ zabezpieczenia akumulatora jest aktywny.

Co należy wiedzieć przed użyciem

Podczas korzystania z narzędzia lub przenoszenia go należy trzymać uchwyt.

► **Rys.4**

⚠ PRZESTROGA: Nie trzymać metalowych części. Ostre elementy mogą spowodować obrażenia ciała.

Układ zabezpieczenia narzędzia/akumulatora

Narzędzie jest wyposażone w układ zabezpieczenia narzędzia/akumulatora. Układ automatycznie odcina zasilanie silnika w celu wydłużenia trwałości narzędzia i akumulatora. Narzędzie zostanie automatycznie zatrzymane podczas pracy w następujących sytuacjach związanych z narzędziem lub akumulatorem:

Zabezpieczenie przed przeciążeniem

W przypadku użytkowania narzędzia/akumulatora w sposób powodujący nadmiernie wysoki pobór prądu narzędzie zostanie automatycznie zatrzymane. W takiej sytuacji należy wyłączyć narzędzie i zaprzestać wykonywania czynności powodującej jego przeciążenie. Następnie należy włączyć narzędzie w celu ponownego uruchomienia.

Zabezpieczenie przed przegrzaniem

W przypadku przegrzania narzędzia/akumulatora narzędzie wyłączy się automatycznie. W takiej sytuacji należy odczekać, aż narzędzie/akumulator ostygnie przed ponownym włączeniem narzędzia.

Zabezpieczenie przed nadmiernym rozładowaniem

Gdy poziom naładowania akumulatora spadnie, narzędzie zostanie automatycznie zatrzymane. Jeśli produkt nie działa pomimo włączenia przełączników, należy wyjąć akumulatory z narzędzia i naładować je.

JAK UŻYWAĆ

⚠ PRZESTROGA: Przed przystąpieniem do prac konserwacyjnych przy narzędziu upewnić się, że jest ono wyłączone, a akumulator został wyjęty.

UWAGA: Gdy maszyna nie jest używana, należy ją odłożyć do przechowywania.

► **Rys.5**

Zespół

Montaż drążka

Wyposażenie dodatkowe

Model UT001G

1. Przykręcić drążek do uchwytu drążka.

► **Rys.6:** 1. Drążek 2. Uchwyt drążka

2. Przytrzymać płaskie części na uchwycie drążka za pomocą klucza 19, tak aby obrót uchwytu drążka był niemożliwy. Przytrzymując płaskie części w taki sposób, dokręcić nakrętkę sześciokątną drugim kluczem 19 w kierunku wskazanym strzałką.

► **Rys.7:** 1. Drążek 2. Uchwyt drążka

Model UT002G

1. Umieścić drążek jak najgłębiej w uchwycie wiertarskim.

► **Rys.8:** 1. Drążek 2. Uchwyt wiertarski

2. Przykręcić uchwyt wiertarski ręcznie, a następnie w każdym z trzech otworów umieścić kluczyk do uchwytu wiertarskiego i dokręcić w prawo. Kluczyk do uchwytu wiertarskiego należy dokręcić w takim samym zakresie w każdym z trzech otworów.

► **Rys.9:** 1. Kluczyk do uchwytu wiertarskiego

2. Uchwyt wiertarski

3. Aby wyjąć drążek, należy w jednym z otworów umieścić kluczyk do uchwytu wiertarskiego i przekręcić go w lewo, a następnie poluzować uchwyt ręką.

4. Gdy kluczyk do uchwytu wiertarskiego nie jest używany, należy go przechowywać w sposób pokazany na rysunku, aby się nie zgubił.

► **Rys.10:** 1. Kluczyk do uchwytu wiertarskiego

Montaż wirnika mieszającego

Wyposażenie dodatkowe

Wsunąć wirnik mieszający na drążek i zamocować go śrubą imbusową. Ustawić go tak, by górny koniec śruby imbusowej dopasować do płaskiej powierzchni na drążku, i za pomocą dostarczonego klucza dokręcić śrubę imbusową.

► **Rys.11:** 1. Śruba imbusowa 2. Drążek 3. Płaska powierzchnia 4. Wirnik mieszający

W przypadku montowania wirników mieszających w dwóch różnych położeniach należy je założyć i zamocować na płaskiej części drążka za pomocą śrub imbusowych, tak aby te same powierzchnie wirników były do siebie zwrócone, jak pokazano na rysunku.

► **Rys.12:** 1. Śruba imbusowa 2. Drążek 3. Płaska powierzchnia 4. Wirnik mieszający

WSKAZÓWKA: Aby uzyskać informacje na temat dozwolonych wirników mieszających, należy skontaktować się z lokalnym punktem serwisowym Makita.

Wkładanie i wyjmowanie akumulatora

▲PRZESTROGA: Przed włożeniem lub wyjęciem akumulatora zawsze należy wyłączyć narzędzie.

▲PRZESTROGA: Podczas wkładania lub wyjmowania akumulatora należy mocno trzymać narzędzie i akumulator. W przeciwnym razie mogą się one wyslizgnąć z rąk, powodując uszkodzenie narzędzia lub akumulatora i obrażenia ciała.

▲PRZESTROGA: Nie używać narzędzia z adapterem akumulatora. Po podłączeniu do narzędzia adaptera akumulatora nie będzie można zamknąć pokrywy akumulatora. Używanie narzędzia z otwartą pokrywą akumulatora może spowodować obrażenia ciała.

▲PRZESTROGA: Zachować ostrożność, aby podczas otwierania lub zamykania pokrywy akumulatora nie przytrzasnąć palców.

UWAGA: Należy założyć pokrywę akumulatora odpowiadającą rozmiarowi akumulatora.

Otworzyć pokrywę akumulatora, naciskając znajdujący się na niej przycisk.

► **Rys.13:** 1. Przycisk 2. Pokrywa akumulatora

Aby wyjąć akumulator, przesunąć przycisk znajdujący się w przedniej jego części i wysunąć akumulator.

► **Rys.14:** 1. Czerwony wskaźnik 2. Przycisk 3. Akumulator

Aby włożyć akumulator, wyrównać występ na akumulatorze z rowkiem w obudowie i wsunąć go na swoje miejsce. Akumulator należy wsunąć do oporu, aż się zatrzaśnie na miejscu, co jest sygnalizowane delikatnym kliknięciem. Jeśli jest widoczny czerwony wskaźnik pokazany na rysunku, akumulator nie został całkowicie zablokowany.

Po włożeniu akumulatora zamknąć i zabezpieczyć pokrywę akumulatora.

▲PRZESTROGA: Akumulator należy włożyć do końca, tak aby czerwony wskaźnik nie był widoczny. W przeciwnym razie może przypadkowo wypaść z narzędzia, powodując obrażenia operatora lub osób postronnych.

▲PRZESTROGA: Nie wkładać akumulatora na siłę. Jeśli akumulator nie daje się swobodnie wsunąć, oznacza to, że został włożony nieprawidłowo.

Działanie przełącznika

▲OSTRZEŻENIE: Przed włożeniem akumulatora do narzędzia należy zawsze sprawdzić, czy spust przełącznika działa prawidłowo i czy powraca do położenia wyłączenia, ciągnąc go do oporu i zwalnając.

▲OSTRZEŻENIE: NIE WOLNO pomijać ani blokować działania przycisku blokady poprzez zaklepanie go taśmą ani w inny sposób. Przełącznik z pominiętym lub zablokowanym przyciskiem blokady może spowodować przypadkowe uruchomienie narzędzia i poważne obrażenia ciała.

▲OSTRZEŻENIE: NIE WOLNO używać narzędzia, jeśli można je uruchomić tylko za pomocą spustu przełącznika bez przedniego wciśnięcia przycisku blokady. Niesprawny, wymagający naprawy przełącznik może spowodować przypadkowe uruchomienie narzędzia i poważne obrażenia ciała. PRZED dalszym użytkowaniem narzędzia należy przekazać je do punktu serwisowego Makita w celu naprawy.

▲OSTRZEŻENIE: Nie wkładać akumulatora z wciśniętym przyciskiem blokady.

Aby zapobiec przypadkowemu pociągnięciu spustu przełącznika, narzędzie wyposażono w przycisk blokady włączenia. Aby uruchomić narzędzie, należy nacisnąć przycisk blokady włączenia i pociągnąć spust przełącznika. Prędkość narzędzia zwiększa się wraz ze zwiększaniem nacisku na spust przełącznika. W celu zatrzymania narzędzia zwolnić spust przełącznika.

Aby włączyć tryb pracy ciągłej, należy wcisnąć przycisk blokady spustu podczas pociągania za spust przełącznika, a następnie zwolnić spust przełącznika. Aby zatrzymać narzędzie, należy pociągnąć do oporu spust przełącznika, a następnie zwolnić go.

► **Rys.15:** 1. Spust przełącznika 2. Przycisk blokady włączenia 3. Przycisk blokady

Korzystanie z przełącznika zmiany prędkości

UWAGA: Przełącznika zmiany prędkości można użyć tylko po całkowitym zatrzymaniu narzędzia. Zmiana trybu prędkości przed zatrzymaniem się narzędzia grozi jego uszkodzeniem.

UWAGA: Przełącznik zmiany prędkości należy zawsze ustawiać starannie w wybranej pozycji. W przypadku uruchomienia narzędzia przy przełączniku zmiany prędkości ustawionym w połowie między pozycją 1 a 2 może dojść do uszkodzenia narzędzia.

UWAGA: Jeśli podczas pracy w trybie wysokiej prędkości nastąpi znaczny spadek prędkości obrotowej, należy zatrzymać narzędzie i przełączyć na tryb niskiej prędkości. W przeciwnym razie może dojść do przeciążenia silnika, co może spowodować usterkę lub pożar.

Za pomocą przełącznika zmiany prędkości można wybrać jeden z dwóch zakresów prędkości obrotowej. Należy wybrać tryb prędkości odpowiedni do mieszanego materiału.

Aby zmienić tryb prędkości, należy obrócić przełącznik zmiany prędkości tak, aby wskaźnik wskazywał punkt na pozycji 1 oznaczający tryb niskiej prędkości lub punkt na pozycji 2 oznaczający tryb wysokiej prędkości.

► **Rys.16:** 1. Wskaźnik 2. Przełącznik zmiany prędkości 3. Punkt

Korzystanie z pokrętła regulacji prędkości

Prędkość narzędzia można regulować w sposób bezstopniowy poprzez obracanie pokrętła regulacji prędkości. Prędkość bez obciążenia w przypadku pełnego wciśnięcia spustu przełącznika można regulować w zakresie od 270 min⁻¹ do 500 min⁻¹ w trybie niskiej prędkości i w zakresie od 500 min⁻¹ do 920 min⁻¹ w trybie wysokiej prędkości. Większą prędkość uzyskuje się, obracając pokrętło w kierunku pozycji 5, a mniejszą, obracając pokrętło w kierunku pozycji 1. Należy wybrać prędkość odpowiednią do mieszanego materiału.

► **Rys.17:** 1. Pokrętło regulacji prędkości

UWAGA: Pokrętło regulacji prędkości można obrócić maksymalnie do pozycji 5 i z powrotem do pozycji 1. Nie próbować obrócić go na siłę poza pozycję 5 lub 1.

Funkcja zapobiegająca przypadkowemu uruchomieniu

Jeśli akumulator zostanie zamontowany podczas pociągania za spust przełącznika lub zablokowania spustu przełącznika, narzędzie nie uruchomi się. Aby uruchomić narzędzie, należy zwolnić spust przełącznika, a następnie pociągnąć za niego.

Funkcja regulacji elektronicznej

Narzędzie jest wyposażone w następujące funkcje regulacji elektronicznej ułatwiające jego obsługę.

Funkcja łagodnego uruchamiania

Funkcja łagodnego uruchamiania minimalizuje wstrząs powstający podczas normalnego uruchamiania, dzięki czemu rozruch narzędzia jest płynny.

Podstawowe czynności

▲PRZESTROGA: Nie mieszać materiałów łatwopalnych ani nie uruchamiać narzędzia w pobliżu materiałów łatwopalnych, takich jak farba z dodatkiem rozpuszczalnika. Niezastosowanie się do tego zalecenia może spowodować obrażenia ciała.

▲PRZESTROGA: Nie mieszać materiałów o dużej lepkości w trybie wysokiej prędkości. Grozi to utratą kontroli nad narzędziem i może skutkować obrażeniami ciała.

▲PRZESTROGA: Nie obracać wirnika mieszającego poza pojemnikiem do mieszania.

▲PRZESTROGA: W przypadku usłyszenia nietypowego dźwięku podczas pracy wyłączyć przełącznik i zaprzestać używania narzędzia.

UWAGA: Kiedy podczas mieszania wirnik mieszający znajduje się poza mieszanym materiałem, należy uważać, aby nie rozchlapywać materiału.

UWAGA: Nie używać narzędzia do czynności innej niż mieszanie zaprawy, betonu itp.

1. Wybór trybu niskiej lub wysokiej prędkości należy dostosować do mieszanego materiału.
2. Narzędzie należy trzymać mocno oburącz. Zanurzyć wirnik mieszający całkowicie w materiale. Upewnić się, że materiał nie stwardniał, a miejsce pracy jest odpowiednio zabezpieczone, po czym włączyć narzędzie.
3. Podczas mieszania poruszać wirnikiem mieszającym w górę i w dół, tak aby całość materiału była dobrze wymieszana.
4. Po zakończeniu mieszania wyłączyć narzędzie. Upewnić się, że wirnik mieszający całkowicie się zatrzymał, a następnie wyjąć go z pojemnika do mieszania.

Pozostałe czynności

▲PRZESTROGA: Przed przystąpieniem do regulacji lub przeglądu narzędzia upewnić się, że jest ono wyłączone, a akumulator został wyjęty.

Wymiana pokrywy akumulatora

Wyposażenie dodatkowe

Należy założyć pokrywę akumulatora odpowiadającą rozmiarowi akumulatora.

► **Rys.18:** 1. Pokrywa akumulatora S 2. Pokrywa akumulatora L 3. Przycisk

1. Otworzyć standardową pokrywę akumulatora, naciskając znajdujący się na niej przycisk.
 2. Poluzować śrubę mocującą standardową pokrywę akumulatora. Następnie wyciągnąć śrubę i tuleję oraz zdjąć pokrywę akumulatora.
- **Rys.19:** 1. Śruba 2. Tuleja 3. Pokrywa akumulatora (standardowa)

WSKAZÓWKA: Tuleja może pozostać w otworach montażowych. W takim przypadku należy ją wyciągnąć np. za pomocą śruby.

3. Wyrównać otwór mocujący w opcjonalnej pokrywie akumulatora z otworami mocującymi na obudowie. Wsunąć tuleję. Następnie dokręcić śruby, aby zamocować ją na miejscu.
- **Rys.20:** 1. Śruba 2. Tuleja 3. Pokrywa akumulatora (opcjonalna)
4. Dokładnie zamknąć pokrywę akumulatora.

Zakładanie i zdejmowanie uchwyty drążka

w zależności od kraju

Model UT001G

Należy założyć jeden z opcjonalnie dostępnych uchwytów drążka odpowiadający rozmiarowi śruby drążka.

► **Rys.21:** 1. Uchwyt drążka M12 2. Uchwyt drążka M14

Przytrzymując wrzeciono kluczem, poluzować uchwyt drążka za pomocą drugiego klucza.

► **Rys.22:** 1. Uchwyt drążka 2. Klucz 3. Wrzeciono

Aby założyć uchwyt drążka, należy wykonać procedurę zdejmowania w odwrotnej kolejności.

Model UT002G

1. W uchwycie wiertarskim umieścić klucz imbusowy i poluzować uchwyt kluczem imbusowym, jednocześnie trzymając wrzeciono drugim kluczem.

► **Rys.23:** 1. Klucz imbusowy 2. Uchwyt wiertarski 3. Klucz 4. Wrzeciono

2. Przykręcić uchwyt drążka kluczem, trzymając wrzeciono drugim kluczem.

► **Rys.24:** 1. Uchwyt drążka 2. Klucz 3. Wrzeciono

Postępowanie po zakończeniu pracy

Po zakończeniu pracy należy za pomocą na przykład mokrej ściereczki ostrożnie powycierać materiał pozostały na narzędziu. Szczególną ostrożność należy zachować podczas dokładnego czyszczenia wylotów powietrza, okolic przełącznika, otworów w osłonie itp.

UWAGA: Należy unikać czyszczenia narzędzia w wodzie. Woda przedostanie się do obudowy silnika, co doprowadzi do uszkodzenia silnika.

KONSERWACJA

PRZESTROGA: Przed przystąpieniem do przeglądu narzędzia lub jego konserwacji upewnić się, że jest ono wyłączone, a akumulator wyjęty.

UWAGA: Nie stosować benzyny, rozpuszczalników, alkoholu itp. środków. Mogą one powodować odbarwienia, odkształcenia lub pęknięcia.

W celu zachowania odpowiedniego poziomu BEZPIECZEŃSTWA i NIEZAWODNOŚCI produktu wszelkie naprawy i różnego rodzaju prace konserwacyjne lub regulacje powinny być przeprowadzane przez autoryzowany lub fabryczny punkt serwisowy narzędzi Makita, zawsze z użyciem oryginalnych części zamiennej Makita.

Rozwiązywanie problemów

Przed oddaniem produktu do naprawy należy sprawdzić następujące punkty.

1. Wyłączyć narzędzie, a następnie włączyć je ponownie w celu zrestartowania.
2. Naładować akumulatory lub zastąpić je (lub jeden z nich) naładowanymi akumulatorami.
3. Pozostawić narzędzie i akumulator (akumulatory) do ostygnięcia.

Jeśli przywrócenie działania układu zabezpieczającego nie przynosi pozytywnych efektów, należy skontaktować się z centrum serwisowym Makita.

AKCESORIA OPCJONALNE

PRZESTROGA: Zaleca się stosowanie wymiennych akcesoriów i przystawek razem z narzędziem Makita opisanym w niniejszej instrukcji. Stosowanie innych akcesoriów lub przystawek może być przyczyną obrażeń ciała. Akcesoria lub przystawki należy wykorzystywać tylko zgodnie z ich przeznaczeniem.

W razie potrzeby wszelkiej pomocy i szczegółowych informacji na temat niniejszych akcesoriów udzieli Państwu lokalne punkty serwisowe Makita.

- Wirnik mieszający
- Drążek
- Pokrywa akumulatora
- Oryginalny akumulator i ładowarka firmy Makita

WSKAZÓWKA: Niektóre pozycje znajdujące się na liście mogą być dołączone do pakietu narzędziowego jako akcesoria standardowe. Mogą to być różne pozycje, w zależności od kraju.

RÉSZLETES LEÍRÁS

Típus:		UT001G	UT002G
Üresjárat fordulatszám	Magas fordulatszámú üzemmód	0 - 920 min ⁻¹	
	Alacsony fordulatszámú üzemmód	0 - 500 min ⁻¹	
Keverőlapát maximális átmérője		240 mm	
Teljes hossz (tengely és keverőlapát nélkül)	S akkumulátorfedéllel	373 mm	363 mm
	L akkumulátorfedéllel	412 mm	403 mm
Névleges feszültség		36 V - 40 V max., egyenáram	
Nettó tömeg		5,7 - 7,0 kg	5,8 - 7,2 kg

- Folyamatos kutató- és fejlesztőprogramunk eredményeként az itt felsorolt tulajdonságok figyelmeztetés nélkül megváltozhatnak.
- A műszaki adatok és az akkumulátor országoként változhatnak.
- A súly a felszerelt tartozékoktól függően változhat, az akkumulátort is beleértve. Az EPTA 01/2014 eljárás szerint meghatározott legnehezebb, illetve legkönnyebb kombináció a táblázatban látható.

Alkalmazható akkumulátorok és töltők




Akkumulátor	BL4020 / BL4025 / BL4040* / BL4050F* / BL4080F* * : Javasolt akkumulátor
Töltő	DC40RA / DC40RB / DC40RC

- Lakóhelyétől függően előfordulhat, hogy a fent felsorolt akkumulátorok és töltők nem érhetők el.

▲ FIGYELMEZTETÉS: Csak a fentiekben felsorolt akkumulátorokat és töltőket használja. Bármilyen más akkumulátor vagy töltő használata sérüléseket és/vagy tüzet okozhat.

Szimbólumok

A következőkben a berendezésen esetleg használt jelképek láthatók. A szerszám használata előtt bizonyosodjon meg arról hogy helyesen értelmezi a jelentésüket.

	Olvassa el a használati utasítást.
	Ne használja a szerszámot esőben.
	Ne tisztítsa a szerszámot vízzel.



Csak EU-tagállamok számára
Mivel a berendezésben veszélyes alkatrészek vannak, az elektromos és elektronikus berendezések, akkumulátorok és elemek hulladékai negatív hatással lehetnek a környezetre és az emberi egészségre. Az elektromos és elektronikus készülékeket vagy akkumulátorokat ne dobja a háztartási szemétkébe!
Az elektromos és elektronikus berendezések hulladékairól és az akkumulátorokról és elemekről, valamint az akkumulátorok és elemek hulladékáról szóló európai irányelvnek, valamint a nemzeti jogszabályokhoz történő adaptálásának megfelelően a használt elektromos berendezéseket, elemeket és akkumulátorokat külön kell tárolni, és a települési hulladék elkülönített gyűjtőhelyére kell szállítani a környezetvédelmi előírásoknak megfelelően. Ezt jelzi a berendezésen elhelyezett áthúzott kerek kuka szimbólum.

Rendeltetés

A szerszám falanyagok (kivéve gyúlékony anyagok), stb. keverésére szolgál.

Zaj

A tipikus A-súlyozású zajszint, a EN62841-2-10 szerint meghatározva:

UT001G típus

Hangnyomásszint (L_{pA}): 81 dB(A)

Hangteljesítményszint (L_{WA}): 92 dB (A)

Bizonytalanság (K): 3 dB(A)

UT002G típus

Hangnyomásszint (L_{pA}): 81 dB(A)

Hangteljesítményszint (L_{WA}): 92 dB (A)

Bizonytalanság (K): 3 dB(A)

MEGJEGYZÉS: A zajkibocsátás értéke a szabványos vizsgálati eljárásnak megfelelően lett mérve, és segítségével az elektromos kéziszerszámok összehasonlíthatók egymással.

MEGJEGYZÉS: A zajkibocsátás értékének segítségével előzetesen megbecsülhető a rezgésnek való kitettség mértéke.

▲ FIGYELMEZTETÉS: Viseljen fülvédőt!

▲ FIGYELMEZTETÉS: A szerszám zajkibocsátása egy adott alkalmazásnál eltérhet a megadott értéktől a használat módjától, különösen a feldolgozott munkadarab fajtájától függően.

▲ FIGYELMEZTETÉS: Határozza meg a kezelő védelmét szolgáló munkavédelmi lépéseket, melyek az adott munkafeltételek melletti vibrációs hatás becslített mértékén alapulnak (figyelembe véve a munkaciklus elemeit, mint például a gép leállításának és üresjáratának mennyiségét az elindítások száma mellett).

Vibráció

A vibráció teljes értéke (háromtengelyű vektorösszeg) az EN62841-2-10 szerint meghatározva:

UT001G típus

Üzem mód: töltés nélküli használat

Rezgéskibocsátás (a_n): 2,5 m/s² vagy kisebb

Bizonytalanság (K): 1,5 m/s²

UT002G típus

Üzem mód: töltés nélküli használat

Rezgéskibocsátás (a_n): 2,5 m/s² vagy kisebb

Bizonytalanság (K): 1,5 m/s²

MEGJEGYZÉS: A rezgés teljes értéke a szabványos vizsgálati eljárásnak megfelelően lett mérve, és segítségével az elektromos kéziszerszámok összehasonlíthatók egymással.

MEGJEGYZÉS: A rezgés teljes értékének segítségével előzetesen megbecsülhető a rezgésnek való kitettség mértéke.

▲ FIGYELMEZTETÉS: A szerszám rezgéskibocsátása egy adott alkalmazásnál eltérhet a megadott értéktől a használat módjától, különösen a feldolgozott munkadarab fajtájától függően.

▲ FIGYELMEZTETÉS: Határozza meg a kezelő védelmét szolgáló munkavédelmi lépéseket, melyek az adott munkafeltételek melletti vibrációs hatás becslített mértékén alapulnak (figyelembe véve a munkaciklus elemeit, mint például a gép leállításának és üresjáratának mennyiségét az elindítások száma mellett).

EK Megfelelőségi nyilatkozat

Csak európai országokra vonatkozóan

Az EK-megfelelőségi nyilatkozat az útmutató „A” mellékletében található.

BIZTONSÁGI FIGYELMEZTETÉS

A szerszámgepekre vonatkozó általános biztonsági figyelmeztetések

▲ FIGYELMEZTETÉS: Olvassa el a szerszámgephez mellékelte összes biztonsági figyelmeztetést, utasítást, illusztrációt és a műszaki adatokat. A következőkben leírt utasítások figyelmen kívül hagyása elektromos áramütést, tüzet és/vagy súlyos sérülést eredményezhet.

Őrizzen meg minden figyelmeztetést és utasítást a későbbi tájékozódás érdekében.

A figyelmeztetésekben szereplő "szerszámgep" kifejezés az Ön hálózatról (vezetékes) vagy akkumulátorról (vezeték nélküli) működtetett szerszámgepére vonatkozik.

Az akkumulátoros keverőre vonatkozó biztonsági figyelmeztetések

1. **Tartsa a szerszámot mindkét kezével a fogantyújánál fogva.** Az irányítás elvesztése személyi sérülést okozhat.
2. **Gyűlékony anyagok keverésekor biztosítson megfelelő szellőzést, hogy elkerülje a veszélyes léggözt.** A keletkező gőzöket belélegezheti, vagy meggyújthatják azokat az elektromos szerszám által keltett szikrák.
3. **Ne keverjen ételt.** Az elektromos szerszámokat és tartozékaikat nem étel kezelésére tervezték.
4. **Biztosítsa, hogy a keverőtartály stabil és biztonságos pozícióba legyen helyezve.** A nem megfelelően rögzített tartály váratlanul elmozdulhat.
5. **Kövesse a keverendő anyagokra vonatkozó utasításokat és figyelmeztetéseket.** A keverendő anyagok ártalmasak lehetnek.
6. **Keverés közben ne nyúljon kézzel a keverőtartályba, és ne dugjon bele más tárgyakat.** A keverőlapát érintése súlyos személyi sérüléshez vezethet.
7. **Indítsa el, és csak a szerszámot merítse a keverőtartályba.** A keverőlapát ellenőrizetlen módon hajolhat meg vagy csavarodhat.
8. **Gondoskodjon róla, hogy semmilyen folyadék ne loccsanjon az elektromos szerszámgep házára.** Az elektromos szerszámba szívárgó folyadék kárt okozhat a szerszámban.

9. Használja a szerszámhoz esetleg mellékelt kiegészítő fogantyúkat. Az irányítás elvesztése személyi sérülést okozhat.
10. A szerszámgepét a szigetelt markolófelületeinél fogja, ha olyan műveletet végez, amikor a vágóeszköz rejtett vezetékkel érintkezhet. Áram alatt lévő vezetékekkel való érintkezéskor a szerszám fém alkatrészei is áram alá kerülhetnek, és megrázzhatják a kezelőt.
11. Mindig stabil helyzetben dolgozzon. A szerszám magasban történő használatkor győződjön meg arról, hogy nem tartózkodik-e valaki odalent.
12. Tartsa stabilan a szerszámot.
13. Ne nyúljon a forgó részekhez.
14. Ne hagyja a működő szerszámot felügyelet nélkül. Csak olyankor működtesse a szerszámot, amikor tartja.
15. Egyes anyagok mérgező vegyületeket tartalmazhatnak. Gondoskodjon a por belélegzése elleni és érintés elleni védelemről. Kövesse az anyag szállítójának biztonsági figyelmeztetéseit.
16. A keverési művelet végzésekor helyezze a keverőtartályt sima és stabil felületre.
6. Ne tárolja és használja a szerszámot vagy az akkumulátort olyan helyen, ahol a hőmérséklet elérheti vagy meghaladhatja az 50 °C-t (122 °F).
7. Ne égesse el az akkumulátort még akkor sem, ha az komolyan megsérült vagy teljesen felhasználódott. Az akkumulátor a tűzben felrobbanhat.
8. Ne szúrja meg, ne vágja meg, ne törje össze, ne dobja el és ne ejtse le az akkumulátort, illetve ne üsse hozzá kemény tárgyhoz. Az ilyen magatartás tüzet, túlzott hőt vagy robbanást okozhat.
9. Ne használjon sérült akkumulátort.
10. A készülékben található lítium-ion akkumulátorokra a veszélyes árukkal kapcsolatos előírások vonatkoznak.
A termék pl. harmadik felek, fuvarozó cégek stb. által történő szállítása esetén minden esetben tartsa szem előtt a csomagoláson és a címkén található speciális követelményeket.
A termék szállításra történő felkészítése esetén vegye fel a kapcsolatot egy veszélyes anyagokkal foglalkozó szakemberrel. Kérjük, hogy az esetlegesen szigorúbb nemzeti előírásokat is vegye figyelembe.
Ragassza le a kiálló érintkezőket, illetve oly módon csomagolja be az akkumulátort, hogy az ne tudjon elmozdulni a csomagolásban.

ŐRIZZE MEG EZEKET AZ UTASÍTÁSOKAT.

▲ FIGYELMEZTETÉS: NE HAGYJA, hogy (a termék többszöri használatából eredő) kényelem és megszokás váltsa fel a termék biztonsági előírásainak szigorú betartását. A **HELYTELEN HASZNÁLAT** és a használati útmutatóban szereplő biztonsági előírások megszegése súlyos személyi sérülésekhez vezethet.

Fontos biztonsági utasítások az akkumulátorra vonatkozóan

1. Az akkumulátor használata előtt tanulmányozza át az akkumulátortöltőn (1), az akkumulátoron (2) és az akkumulátorral működtetett terméken (3) olvasható összes utasítást és figyelmeztető jelzést.
2. Ne szerelje szét, és ne módosítsa az akkumulátort. Tüzet, túlzott hőt vagy robbanást okozhat.
3. Ha a működési idő nagyon lerövidült, azonnal hagyja abba a használatot. Ez a túlmelegedés, esetleges égések és akár robbanás veszélyével is járhat.
4. Ha elektrolit kerül a szemébe, mossa ki azt tiszta vízzel és azonnal kérjen orvosi segítséget. Ez a látásának elvesztését okozhatja.
5. Ne zárja rövidre az akkumulátort:
 - (1) Ne érjen az érintkezőkhöz elektromosan vezető anyagokkal.
 - (2) Ne tárolja az akkumulátort más fémtárgyakkal, mint pl. szegekkel, érmekkel, stb. egy helyen.
 - (3) Ne tegye ki az akkumulátort víznek vagy esőnek.

Az akkumulátor rövidzárlata nagy áramerősséget, túlmelegedést, égéseket, sőt akár meghibásodást is okozhat.
11. Az akkumulátor ártalmatlanításakor vegye ki azt a szerszámból, és ártalmatlanítsa egy biztonságos helyen. Az akkumulátor ártalmatlanításakor tartsa be a helyi előírásokat.
12. Az akkumulátorokat csak a Makita által megjelölt termékekhez használja. Ha az akkumulátorokat azokkal nem kompatibilis termékekbe helyezi, az tűzhez, túlmelegedéshez, robbanáshoz vagy elektrolitszivárgáshoz vezethet.
13. Ha a szerszám hosszabb ideig nincs használatban, az akkumulátort ki kell venni a szerszámból.
14. Használat közben és után az akkumulátor felforrósodhat, ami égési sérülést vagy alacsony hőmérsékletű égési sérülést okozhat. Figyeljen oda a forró akkumulátor kezelésére.
15. Ne érintse meg közvetlenül a szerszám érintkezőjét, mert elég forró lehet ahhoz, hogy égési sérüléseket okozzon.
16. Ne engedje, hogy forgács, por vagy sár tapadjon az akkumulátor érintkezőire, lyukaiba és hornyaiiba. Az fellemeledést, tüzet, robbanást és a szerszám vagy az akkumulátor meghibásodását okozhatja, ami égési és személyi sérülésekhez vezet.
17. Hacsak a szerszám nem támogatja a nagyfeszültségű elektromos vezetékek közelében történő használatot, ne használja az akkumulátort nagyfeszültségű elektromos vezetékek közelében. Az a szerszám vagy az akkumulátor hibás működését vagy meghibásodását okozhatja.
18. Tartsa távol a gyermektől az akkumulátort.

ŐRIZZE MEG EZEKET AZ UTASÍTÁSOKAT.

⚠ VIGYÁZAT: Csak eredeti Makita akkumulátorokat használjon. A nem eredeti Makita akkumulátorok vagy módosított akkumulátorok használata esetén az akkumulátor felrobbanhat, ami tüzet, személyi sérülést és anyagi kárt okozhat. A Makita szerszámmra és töltőre vonatkozó Makita garanciát is érvénytelenítheti.

Tippek az akkumulátor maximális élettartamának eléréséhez

1. Töltse fel az akkumulátort, mielőtt teljesen lemerülne. Állítsa le a gépet, és töltse fel az akkumulátort, ha a gép erejének csökkenését észleli.
2. Soha ne töltse újra a teljesen feltöltött akkumulátort. A túltöltés csökkenti az akkumulátor élettartamát.
3. Töltse az akkumulátort szobahőmérsékleten, 10 °C - 40 °C (50 °F - 104 °F) között. Töltés előtt hagyja lehűlni a fölforrósodott akkumulátort.
4. Ha nem használja az akkumulátort, vegye ki a szerszámból vagy a töltőből.
5. Töltse fel az akkumulátort, ha hosszabb ideje (több mint hat hónapja) nem használta azt.

ALKATRÉSZEK

Típus: UT001G

▶ Ábra1

1	Kapcsológomb	2	Reteszelőgomb
3	Zárgomb	4	Fordulatszám-szabályozó tárcsa
5	Sebességváltó kapcsoló	6	Akkumulátorfedél
7	Fogantyú	8	Tengelytartó
9	Tengely	10	Keverőlapát

Típus: UT002G

▶ Ábra2



















1	Kapcsológomb	2	Reteszelőgomb
3	Zárgomb	4	Fordulatszám-szabályozó tárcsa
5	Sebességváltó kapcsoló	6	Akkumulátorfedél
7	Fogantyú	8	Tokmány

HASZNÁLAT ELŐTTI ELŐKÉSZÜLETEK

Az akkumulátor töltöttségének jelzése

Nyomja meg az ellenőrzőgombot, hogy az akkumulátortöltöttség-jelző megmutassa a hátralévő akkumulátor-kapacitást. Ekkor a töltöttség-szint-jelző lámpák néhány másodpercre kigyulladnak.

▶ **Ábra3:** 1. Jelzőlámpák 2. Check (ellenőrzés) gomb

Jelzőlámpák			Töltöttségi szint
 Világító lámpa	 KI	 Villogó lámpa	
			75%-tól 100%-ig
			50%-tól 75%-ig
			25%-tól 50%-ig
			0%-tól 25%-ig
			Töltse fel az akkumulátort.
			Lehetséges, hogy az akkumulátor meghibásodott.
			

MEGJEGYZÉS: Az adott munkafeltételektől és a környezet hőmérsékletétől függően a jelzett töltöttségi szint némileg eltérhet a tényleges töltöttségi szinttől.

MEGJEGYZÉS: Az első (bal oldali szélső) jelzőlámpa villog, ha az akkumulátorvédő rendszer működik.

Amit a használat előtt tudni kell

Fogja a fogantyút, amikor használja vagy hordozza a szerszámot.

▶ **Ábra4**

⚠ VIGYÁZAT: Ne a fémlemez részt fogja meg. Az éles felületek sérülést okozhatnak.

Szerszám-/akkumulátorvédő rendszer

A gép szerszám-/akkumulátorvédő rendszerrel van felszerelve. A rendszer automatikusan kikapcsolja a motor áramellátását, így megnöveli a szerszám és az akkumulátor élettartamát. A gép használat közben automatikusan leáll, ha a szerszám vagy az akkumulátor a következő állapotok valamelyikébe kerül:

Túlterhelésvédelem

Ha a szerszámot/akkumulátort úgy használják, hogy az rendellenesen nagy áramot vesz fel, a szerszám automatikusan leáll. Ilyenkor kapcsolja ki a szerszámot, és fejezze be azt a műveletet, amelyik a túlterhelést okozza. A munka újrajrkezdéséhez kapcsolja be a szerszámot.

Túlmelegedés elleni védelem

Ha a szerszám/akkumulátor túlmelegedett, automatikusan leáll. Ilyenkor hagyja lehűlni a szerszámot/akkumulátort, mielőtt ismét bekapcsolná.

Mélykisütés elleni védelem

Amikor az akkumulátor kapacitása lecsökken, a gép automatikusan leáll. Ha a készülék a gombokkal sem működtethető, vegye ki az akkumulátort és töltsse fel.

HOGYAN HASZNÁLJUK

⚠ VIGYÁZAT: Minden esetben ellenőrizze, hogy a szerszám ki van kapcsolva és az akkumulátort levette, mielőtt bármilyen műveletet végez a szerszámon.

MEGJEGYZÉS: Amikor nem dolgozik, fektesse le a gépet, majd rakja el.

▶ **Ábra5**

Összeszerelés

A tengely felszerelése

Opcionális kiegészítő

UT001G esetén

1. Szorítsa a tengelyt a tengelytartóba.

▶ **Ábra6:** 1. Tengely 2. Tengelytartó

2. Tartsa a tengelytartó lapos részeit egy 19-es villáskulccsal úgy, hogy a tengelytartó ne tudjon forogni. A lapos részeket így megtartva húzza meg a hatlapú anyát egy másik 19-es villáskulccsal a nyíl irányába.

▶ **Ábra7:** 1. Tengely 2. Tengelytartó

UT002G esetén

1. Helyezze a tengelyt a tokmánya, és ütközésig tolja be.

▶ **Ábra8:** 1. Tengely 2. Tokmány

2. Szorítsa meg kézzel a tokmányt, majd helyezze a tokmánykulcsot mind a három furatba, és szorítsa meg az órajárás irányában. Gondoskodjon róla, hogy a tokmánykulcsot mind a három furatban egyenlően szorítja meg.

▶ **Ábra9:** 1. Tokmánykulcs 2. Tokmány

3. A tengely eltávolításához forgassa a tokmánykulcsot az órajárással ellentétesen az egyik furatban, majd lazítsa meg kézzel a tokmányt.

4. Amikor nem használja, tárolja a tokmánykulcsot az ábrán látható módon, nehogy elveszzen.

▶ **Ábra10:** 1. Tokmánykulcs

A keverőlapát felszerelése

Opcionális kiegészítő

Illessze a keverőlapátot a tengelybe, és rögzítse az imbuszfejú csavarral. Ekkor helyezze úgy, hogy az imbuszfejú csavar felső vége mindig a tengely sima felületéhez illeszkedjen, és húzza meg az imbuszfejú csavart a mellékelt villáskulccsal.

▶ **Ábra11:** 1. Imbuszfejú csavar 2. Tengely 3. Sima felület 4. Keverőlapát

Ha a keverőlapátokat két különböző pozícióba szereli be, a két keverőlapátot a tengely sima részére szerelje fel és rögzítse az imbuszfejú csavarokkal úgy, hogy a keverőlapátok azonos felülete egymás felé nézzen az ábrán látható módon.

▶ **Ábra12:** 1. Imbuszfejú csavar 2. Tengely 3. Sima felület 4. Keverőlapát

MEGJEGYZÉS: Kérdezze a helyi Makita Szervizközpontot arról, hogy melyik keverőlapátok jóváhagyottak.

Az akkumulátor behelyezése és eltávolítása

⚠ VIGYÁZAT: Mindig kapcsolja ki az eszközt, mielőtt behelyezi vagy eltávolítja az akkumulátort.

⚠ VIGYÁZAT: Az akkumulátor behelyezésekor vagy eltávolításakor erősen fogja meg a szerszámot és az akkumulátort. Ha nem fogja erősen a szerszámot és az akkumulátort, azok kicsúszhatnak a kezei közül, ami a szerszám és az akkumulátor károsodásához, de akár személyi sérüléshez is vezethet.

⚠ VIGYÁZAT: Ne használja a szerszámot akkumulátoradapterrel. Ha akkumulátoradaptert csatlakoztat a szerszámhoz, az akkumulátorfedelelet nem lehet lezárni, és a szerszám használata nyitott akkumulátorfedéllel sérülést okozhat.

⚠ VIGYÁZAT: Vigyázzon, hogy az akkumulátorfedél kinyitásakor és bezárásakor ne csipje be az ujját.

MEGJEGYZÉS: Olyan akkumulátorfedelelet szereljen fel, amelyik megfelel az akkumulátor méretének.

Nyissa ki az akkumulátorfedelelet, miközben nyomja az akkumulátorfedélen a gombot.

▶ **Ábra13:** 1. Gomb 2. Akkumulátorfedél

Az akkumulátoregység kivételéhez nyomja be az akkumulátoregység elején található gombot, és húzza le a gépről.

▶ **Ábra14:** 1. Piros jel 2. Gomb 3. Akkumulátor

Az akkumulátor beszereléséhez illessze az akkumulátor nyelvét a burkolaton található vágatba, és csúsztassa a helyére. Egészen addig tolja be, amíg az akkumulátor egy kis kattánással a helyére nem ugrik. Ha látható a piros jel az ábrán látható módon, akkor nem kattant be teljesen.

Az akkumulátor behelyezése után tegye rá biztonságotan az akkumulátorfedelelet.

▲VIGYÁZAT: Mindig tolja be teljesen az akkumulátort, amíg a piros jel el nem tűnik. Ha ez nem történik meg, akkor az akkumulátor kieshet a számból, és Önnek vagy a környezetében másnak sérülést okozhat.

▲VIGYÁZAT: Ne erőltesse az akkumulátort behelyezéskor. Ha az akkumulátor nem csúszik be könnyedén, akkor nem megfelelően lett behelyezve.

A kapcsoló használata

▲FIGYELMEZTETÉS: Mielőtt behelyezné az akkumulátort a számszámba, mindig győződjön meg róla, hogy a kapcsológomb hibátlanul működik, és amikor teljesen meghúzzák és elengedik, visszatér a „KI” állásába.

▲FIGYELMEZTETÉS: SOHA ne gátolja a reteszelőgomb üzemszerű működését azzal, hogy leragasztja, vagy más módon kitémasztja. Az üzemszerűtől tett reteszelőgomb a gép szándékolatlan beindulásához vezethet, ami súlyos személyi sérüléssel járhat.

▲FIGYELMEZTETÉS: SOHA ne használja ezt a számszámot, ha az akkor is beindul amikor Ön a reteszelőgomb megnyomása nélkül húzza meg a kapcsológombot. A javításra szoruló kapcsoló a számszám szándékolatlan beindulásához vezethet, ami súlyos személyi sérüléssel járhat. A további használat ELŐTT vigye a számszámot javításra egy Makita szervizközpontba.

▲FIGYELMEZTETÉS: Ne helyezze be az akkumulátort lezárt zárgomb esetén.

A kapcsológomb véletlen meghúzását egy reteszelőgomb gátolja meg. A számszám bekapcsolásához nyomja le a reteszelőgombot, majd húzza meg a kapcsológombot.

Ha erősebben nyomja a kapcsológombot, a számszám fordulatszámja növekszik. A megállításához engedje el a kapcsológombot.

A folyamatos működtetéshez a kapcsológombot behúzza tartva nyomja meg a zárgombot, majd engedje el a kapcsológombot. A számszám leállításához húzza meg teljesen a kapcsológombot, majd engedje el.

▶ **Ábra15:** 1. Kapcsológomb 2. Reteszelőgomb 3. Zárgomb

Sebességváltó kapcsoló működése

MEGJEGYZÉS: A sebességváltó kapcsolót csak azután használja, hogy a számszám teljesen megállt. A számszám megrogánálódhat, ha számszám-sebesség-üzemmódot vált a számszám leállása előtt.

MEGJEGYZÉS: A sebességváltó kapcsolót mindig óvatosan a megfelelő helyzetbe állítsa. Ha a számszámot úgy működteti, hogy a sebességváltó kapcsoló félúton áll az „1” és a „2” pozíció között, az a számszám károsodását okozhatja.

MEGJEGYZÉS: Ha a magas fordulatszámú üzemmódban való működés közben a forgási sebesség jelentősen lecsökken, állítsa le a számszámot, és változtassa az üzemmódot az alacsony fordulatszámú üzemmódra. Máskülönben a motor túlterhelődhet, és hibás működést vagy tüzet okozhat.

A sebességváltó kapcsoló segítségével két sebesség-tartományt lehet előválasztani.

Válassza az összekeverni kívánt anyaghoz megfelelő fordulatszámú üzemmódot.

A sebesség-üzemmód megváltoztatásához fordítsa úgy a sebességváltó kapcsolót, hogy a mutató az alacsony fordulatszámú üzemmódhoz az „1” pozícióban lévő pontra, magas fordulatszámú üzemmód pedig a „2” pozícióban lévő pontra mutasson.

▶ **Ábra16:** 1. Mutató 2. Sebességváltó kapcsoló 3. Pont

A fordulatszám-szabályozó tárcsa működése

A gép fordulatszámja a fordulatszám-szabályozó tárcsa fokozatmentes elfordításával állítható be. Az üresjárat fordulatszám, amikor a kapcsológombot teljesen behúzzuk, 270 min⁻¹ és 500 min⁻¹ között állítható az alacsony fordulatszámú üzemmódban, és 500 min⁻¹ és 920 min⁻¹ között a magas fordulatszámú üzemmódban. Nagyobb lesz a fordulatszám, ha a tárcsát az 5-ös szám irányába forgatja; kisebb lesz a fordulatszám, ha azt az 1-es szám irányába forgatja. Válassza ki az összekeverni kívánt anyaghoz megfelelő fordulatszámot.

▶ **Ábra17:** 1. Fordulatszám-szabályozó tárcsa

MEGJEGYZÉS: A fordulatszám-szabályozó tárcsa csak az 5-ös számig fordítható el, visszafelé pedig az 1-ig. Ne erőltesse túl az 5-ös vagy az 1-es helyzetben.

Véletlenszerű újraindítást megelőző funkció

Ha a kapcsológomb meghúzása vagy lezárása közben helyezi be az akkumulátort, a számszám nem indul el. A számszám bekapcsolásához engedje el, majd húzza meg a kapcsológombot.

Elektronikus funkció

A számszámot a könnyebb használat érdekében az alábbi elektronikus funkcióval szerelték fel.

Lágyindítás

A lágyindítási funkció minimalizálja az indítási löketet, és simává teszi a számszám indulását.

Alapvető műveletek

⚠ VIGYÁZAT: Ne keverjen gyúlékony anyagokat, és ne működtesse a szerszámot gyúlékony anyagok, mint például hígítóval oldott festék körül. Ennek elmulasztása sérülést okozhat.

⚠ VIGYÁZAT: Ne keverjen nagy viszkozitású anyagokat a magas fordulatszámú üzemmódban. Elveszítheti az uralmat a szerszám fölött, és sérülést okozhat.

⚠ VIGYÁZAT: A keverőedényen kívül ne forgassa a keverőlapátot.

⚠ VIGYÁZAT: Ha használat közben rendellenes zajt hall, kapcsolja ki a kapcsolót, és hagyja abba a szerszám használatát.

MEGJEGYZÉS: Ha úgy kever anyagot, hogy a keverőlapát kiemelkedik az anyagból, vigyázzon, ne fröcskölje szét az anyagot.

MEGJEGYZÉS: Ne használja a szerszámot habarcs, beton, stb. keverésén kívül más célokra.

1. Válassza a magas fordulatszámú üzemmódot vagy az alacsony fordulatszámú üzemmódot a keverendő anyagnak megfelelően.
2. Szilárdan tartsa a szerszámot mindkét kezével. A keverőlapátot helyezze teljesen az anyag alá. Ellenőrizze, hogy az anyag nem szilárdult-e meg, és a munkaterület biztonságát, majd kapcsolja be a szerszámot.
3. A keverési művelet közben mozgassa a keverőlapátot fel és le, hogy az anyag teljes részét megkeverje.
4. A keverés befejezése után kapcsolja ki a szerszámot. Győződjön meg róla, hogy a keverőlapát teljesen leállt, majd húzza ki azt a keverőtartályból.

Alkalmazott műveletek

⚠ VIGYÁZAT: Minden esetben ellenőrizze, hogy a szerszám ki van kapcsolva és az akkumulátor eltávolításra került mielőtt beállít vagy ellenőriz valamilyen funkciót a szerszámon.

Az akkumulátorfedél cseréje

Opcionális kiegészítő

Szerelje fel az egyik akkumulátorfedelelet, amely megfelel az akkumulátor méretének.

▶ **Ábra18:** 1. S akkumulátorfedél 2. L akkumulátorfedél 3. Gomb

1. Nyissa ki a normál felszereltség részét képező akkumulátorfedelelet, miközben nyomja az akkumulátorfedélen a gombot.

2. Lazítsa meg a normál felszereltség részét képező akkumulátorfedelelet rögzítő csavart. Majd távolítsa el a csavart, a hüvelyt és az akkumulátorfedelelet.

▶ **Ábra19:** 1. Csavar 2. Hüvely 3. Akkumulátorfedél (normál felszereltség)

MEGJEGYZÉS: A hüvely a rögzítőfuratokban maradhat. Ebben az esetben húzza ki egy csavart vagy valami hasonló eszközt használva.

3. Igazítsa az opcionális akkumulátorfedélen lévő rögzítőfuratot a házon lévő rögzítőfuratokhoz. Helyezze be a hüvelyt. Majd húzza meg a csavarokat, hogy a helyén rögzítse.

▶ **Ábra20:** 1. Csavar 2. Hüvely 3. Akkumulátorfedél (opcionális)

4. Szorosan csukja be az akkumulátorfedelelet.

A tengelytartó felszerelése és eltávolítása

országfüggő

UT001G esetén

Szerelje be az egyik, a tengely csavarméretének megfelelő opcionálisan kapható tengelytartót.

▶ **Ábra21:** 1. M12-es tengelytartó 2. M14-es tengelytartó

Miközben egy villáskulccsal tartja az orsót, egy másik villáskulccsal lazítsa meg a tengelytartót.

▶ **Ábra22:** 1. Tengelytartó 2. Villáskulcs 3. Orsó

A tengelytartó felszereléséhez hajtsa végre a lezereleési eljárást fordított sorrendben.

UT002G esetén

1. Dugja az imbuszkulcsot a tokmányba, majd lazítsa meg a tokmányt az imbuszkulccsal, miközben az orsót a villáskulccsal tartja.

▶ **Ábra23:** 1. Imbuszkulcs 2. Tokmány 3. Villáskulcs 4. Orsó

2. Szorítsa meg a tengelytartót egy villáskulccsal, miközben az orsót egy másik villáskulccsal tartja.

▶ **Ábra24:** 1. Tengelytartó 2. Villáskulcs 3. Orsó

Használat utáni kezelés

A használat után egy nedves törülközővel vagy más hasonló eszközzel óvatosan törölje le a szerszámon maradt anyagot. Különös gondot járjon el a szellőzőnyílások, a kapcsoló környéke, a fedélynyílások, stb. tisztításakor.

MEGJEGYZÉS: Ne tisztítsa a szerszámot vízben. A víz bejut a motorházba és motorhibát okoz.

KARBANTARTÁS

⚠ VIGYÁZAT: Minden esetben ellenőrizze, hogy a szerszám ki van kapcsolva és az akkumulátor eltávolításra került mielőtt átvizsgálja a szerszámot vagy annak karbantartását végzi.

MEGJEGYZÉS: Soha ne használjon gázolajt, benzint, hígítót, alkoholt vagy hasonló anyagokat. Ezek elszíneződést, alakvesztést vagy repedést okozhatnak.

A termék BIZTONSÁGÁNAK és MEGBÍZHATÓSÁGÁNAK fenntartása érdekében a javításokat és más karbantartásokat vagy beállításokat a Makita hivatalos vagy gyári szervizközpontjában kell elvégezni, mindig csak Makita cserealkatrészeket használva.

Hibaelhárítás

Mielőtt javítást igényelne, ellenőrizze a következőket.

1. Kapcsolja ki a szerszámot, majd kapcsolja be ismét az újraindításhoz.
2. Töltse fel az akkumulátor(oka)t vagy cserélje ki azt/azokat újratöltött akkumulátorral.
3. Hagyja, hogy a szerszám és az akkumulátor(ok) lehűljenek.

Ha nem történik javulás a védelmi rendszer helyreállítása után sem, forduljon a helyi Makita Szervizközponthoz.

OPCIONÁLIS KIEGÉSZÍTŐK

⚠ VIGYÁZAT: Ezen kiegészítőket és tartozékokat javasoljuk a kézikönyvben ismertetett Makita szerszámhoz. Bármilyen más kiegészítő vagy tartozék használata a személyi sérülés kockázatával jár. A kiegészítőt vagy tartozékot csak rendeltetészerűen használja.

Ha bármilyen segítségre vagy további információra van szüksége ezekkel a tartozékokkal kapcsolatban, keresse fel a helyi Makita Szervizközpontot.

- Keverőlapát
- Tengely
- Akkumulátorfedél
- Eredeti Makita akkumulátor és töltő

MEGJEGYZÉS: A listán felsorolt néhány kiegészítő megtalálható az eszköz csomagolásában standard kiegészítőként. Ezek országonként eltérőek lehetnek.

TECHNICKÉ ŠPECIFIKÁCIE

Model:		UT001G	UT002G
Otáčky naprázdno	Režim vysokých otáčok	0 – 920 min ⁻¹	
	Režim nízkych otáčok	0 – 500 min ⁻¹	
Maximálny priemer čepele miešadla		240 mm	
Celková dĺžka (bez hriadeľa a miešacej čepele)	s krytom akumulátora S	373 mm	363 mm
	s krytom akumulátora L	412 mm	403 mm
Menovité napätie		Jednosmerný prúd 36 V – 40 V max	
Čistá hmotnosť		5,7 – 7,0 kg	5,8 – 7,2 kg

- Vzhľadom k neustálemu výskumu a vývoju podliehajú technické údaje uvedené v tomto dokumente zmenám bez upozornenia.
- Technické špecifikácie a typ akumulátora sa môžu v rámci jednotlivých krajín líšiť.
- Hmotnosť sa môže líšiť v závislosti od nadstavcov vrátane akumulátora. Najľahšia a najťažšia kombinácia v súlade s postupom EPTA 01/2014 je uvedená v tabuľke.

Použiteľné akumulátory a nabíjačky

Akumulátor	BL4020 / BL4025 / BL4040* / BL4050F* / BL4080F* * : Odporúčany akumulátor
Nabíjačka	DC40RA / DC40RB / DC40RC

- Niektoré vyššie uvedené akumulátory a nabíjačky môžu byť nedostupné v závislosti od miesta vášho bydliska.

VAROVANIE: Používajte iba akumulátory a nabíjačky zo zoznamu uvedeného vyššie. Používanie akýchkoľvek iných akumulátorov a nabíjačiek môže spôsobiť zranenie a/alebo požiar.

Symbody

Nižšie sú uvedené symbody, ktoré sa môžu používať pri tomto nástroji. Je dôležité, aby ste poznali ich význam, skôr než začnete pracovať.



Prečítajte si návod na obsluhu.



Nástroj nikdy nepoužívajte v daždi.



Nástroj nečistite vodou.



Len pre štáty EÚ
Z dôvodu prítomnosti nebezpečných komponentov v zariadení môžu mať odpad z elektrických a elektronických zariadení, použité akumulátory a batérie negatívny vplyv na životné prostredie a ľudské zdravie. Elektrické a elektronické zariadenia alebo akumulátory nelikvidujte spolu s komunálnym odpadom! V súlade s európskou smernicou o odpade z elektrických a elektronických zariadení, o akumulátoroch a batériách a odpade z akumulátorov a batérií, ako aj v súlade s prispôbenými vnútroštátnymi právnymi predpismi by sa odpad z elektrických a elektronických zariadení a použité akumulátory a batérie mali uskladiť osobitne a odovzdávať na samostatnom zbernom mieste pre komunálny odpad, ktoré sa prevádzkuje v súlade s predpismi na ochranu životného prostredia. Označuje to symbol preškrtnutej smetnej nádoby na zariadení.

Určené použitie

Nástroj je určený na miešanie stavebných zmesí atď. (okrem horľavých materiálov).

Hluk

Typická hladina akustického tlaku záťaže A určená podľa štandardu EN62841-2-10:

Model UT001G

Úroveň akustického tlaku (L_{pA}): 81 dB (A)

Úroveň akustického tlaku (L_{WA}): 92 dB (A)

Odchýlka (K): 3 dB (A)

Model UT002G

Úroveň akustického tlaku (L_{pA}): 81 dB (A)

Úroveň akustického tlaku (L_{WA}): 92 dB (A)

Odchýlka (K): 3 dB (A)

POZNÁMKA: Deklarovaná hodnota emisií hluku bola meraná podľa štandardnej skúšobnej metódy a môže sa použiť na porovnanie jedného nástroja s druhým.

POZNÁMKA: Deklarovaná hodnota emisií hluku sa môže použiť aj na predbežné posúdenie vystavenia ich účinkom.

VAROVANIE: Používajte ochranu sluchu.

VAROVANIE: Emisie hluku sa môžu počas skutočného používania elektrického nástroja odlišovať od deklarovanej hodnoty, a to v závislosti od spôsobov používania náradia a najmä typu spracúvaného obrobku.

VAROVANIE: Nezabudnite označiť bezpečnostné opatrenia s cieľom chrániť obsluhu, a to tie, ktoré sa zakladajú na odhade vystavenia účinkom v rámci reálnych podmienok používania (berúc do úvahy všetky súčasti prevádzkového cyklu, ako sú doby, kedy je nástroj vypnutý a kedy beží bez zaťaženia, ako dodatok k dobe zapnutia).

Vibrácie

Celková hodnota vibrácií (trojosový vektorový súčet) určená podľa štandardu EN62841-2-10:

Model UT001G

Režim činnosti: prevádzka bez záťaže
Emisie vibrácií (a_{h}): 2,5 m/s² alebo menej
Odchýlka (K): 1,5 m/s²

Model UT002G

Režim činnosti: prevádzka bez záťaže
Emisie vibrácií (a_{h}): 2,5 m/s² alebo menej
Odchýlka (K): 1,5 m/s²

POZNÁMKA: Deklarovaná celková hodnota vibrácií bola meraná podľa štandardnej skúšobnej metódy a môže sa použiť na porovnanie jedného nástroja s druhým.

POZNÁMKA: Deklarovaná celková hodnota vibrácií sa môže použiť aj na predbežné posúdenie vystavenia ich účinkom.

VAROVANIE: Emisie vibrácií sa môžu počas skutočného používania elektrického nástroja odlišovať od deklarovanej hodnoty, a to v závislosti od spôsobov používania náradia a najmä typu spracúvaného obrobku.

VAROVANIE: Nezabudnite označiť bezpečnostné opatrenia s cieľom chrániť obsluhu, a to tie, ktoré sa zakladajú na odhade vystavenia účinkom v rámci reálnych podmienok používania (berúc do úvahy všetky súčasti prevádzkového cyklu, ako sú doby, kedy je nástroj vypnutý a kedy beží bez zaťaženia, ako dodatok k dobe zapnutia).

Vyhlasenie o zhode ES

Len pre krajinu Európy

Vyhlasenie o zhode ES sa nachádza v prílohe A tohto návodu na obsluhu.

BEZPEČNOSTNÉ VAROVANIA

Všeobecné bezpečnostné predpisy pre elektrické nástroje

VAROVANIE: Preštudujte si všetky bezpečnostné varovania, pokyny, vyrobzenia a technické špecifikácie určené pre tento elektrický nástroj. Pri nedodržaní všetkých nižšie uvedených pokynov môže dôjsť k úrazu elektrickým prúdom, požiaru alebo vážnemu zraneniu.

Všetky výstrahy a pokyny si odložte pre prípad potreby v budúcnosti.

Pojem „elektrický nástroj“ sa vo výstrahách vzťahuje na elektricky napájané elektrické nástroje (s káblom) alebo batériou napájané elektrické nástroje (bez kábla).

Bezpečnostné varovania týkajúce sa bezdrôtového miešadla

- Nástroj držte dvoma rukami za rukoväte.** Strata ovládania môže mať za následok poranenie.
- Pri miešaní horľavých látok zaistite dostatočné vetranie, aby sa predišlo vzniku nebezpečného vzduchu.** Dym by ste mohli vdýchnuť alebo by sa mohol zapáliť iskrou, ktorú môže vytvoriť elektrický prístroj.
- Nepoužívajte na miešanie jedla.** Elektrické prístroje a ich príslušenstvo nie sú určené na spracovanie jedla.
- Uistite sa, že je nádoba, v ktorej sa materiály zmiešavajú, umiestnená na pevnom a bezpečnom mieste.** Riadne nezaistená nádoba sa môže nečakane pohnúť.
- Riadte sa pokynmi a varovaniami na miešanie materiálu.** Miešaný materiál môže byť škodlivý.
- Do nádoby počas miešania nevkladajte ruky ani žiadne iné objekty.** Kontakt s čepeľou miešadla môže viesť k vážnym zraneniam.
- Nástroj spustíte a používajte len v nádobe na miešanie.** Čepeľ miešadla sa môže ohnúť alebo točiť nekontrolovateľným spôsobom.
- Uistite sa, že na kryt elektrického nástroja nešpliecha žiadna tekutina.** Tekutina, ktorá sa dostane do elektrického nástroja môže spôsobiť jeho poškodenie.
- Ak sa k nástroju dodávajú prídavné rukoväte, používajte ich.** Strata ovládania môže mať za následok poranenie.
- Pri rezaní držte elektrický nástroj len za izolované úchopné povrchy, pretože rezné príslušenstvo sa môže dostať do kontaktu so skrytými vodičmi.** Rezné príslušenstvo, ktoré sa dostane do kontaktu s vodičom pod napätím, môže spôsobiť prechod elektrického prúdu kovovými časťami elektrického nástroja a spôsobiť tak obsluhu zasiahnutie elektrickým prúdom.

11. **Vždy dbajte na pevný postoj. Ak pracujete vo výškach, uistite sa, že pod vami nikto nie je.**
12. **Nástroj pevne držte.**
13. **Nepribližujte ruky k otáčajúcim sa častiam.**
14. **Nenechávajte nástroj v prevádzke bez dozoru. Používajte prístroj, len keď ho držíte.**
15. **Niektoré materiály obsahujú chemikálie, ktoré môžu byť toxické. Dávajte pozor, aby ste ich nevdychovali ani sa ich nedotýkali. Riadte sa bezpečnostnými varovaniami dodávateľa materiálu.**
16. **Pri miešaní položte nádobu na miešanie na rovný a stabilný povrch.**

TIETO POKYNY USCHOVAJTE.

VAROVANIE: NIKDY nepripustíte, aby seba-vedomie a dobrá znalosť výrobu (získané opakovaným používaním) nahradili presné dodržiavanie bezpečnostných pravidiel pri používaní náradia. **NESPRÁVNE POUŽÍVANIE** alebo **nedodržiavanie bezpečnostných zásad uvedených v tomto návode môže viesť k vážnemu zraneniu.**

Dôležité bezpečnostné a prevádzkové pokyny pre akumulátor

1. **Pred použitím akumulátora si prečítajte všetky pokyny a výstražné označenia na (1) nabíjačke akumulátorov, (2) akumulátora a (3) produkte používajúcom akumulátor.**
2. **Akumulátor nerozoberajte ani neupravujte. Môže to viesť k požiaru, nadmernému teplu alebo výbuchu.**
3. **Ak sa doba prevádzky príliš skráti, ihneď prerušte prácu. Môže nastať riziko prehriatia, možných popálením či dokonca explózie.**
4. **V prípade zasiahnutia očí elektrolytom ich vypláchnite čistou vodou a okamžite vyhľadajte lekársku pomoc. Môže dôjsť k strate zraku.**
5. **Akumulátor neskratujte:**
 - (1) **Nedotýkajte sa konektorov žiadnym vodivým materiálom.**
 - (2) **Neskladujte akumulátor v obale s inými kovovými predmetmi, napríklad klincami, mincami a pod.**
 - (3) **Akumulátor nevystavujte vode ani dažďu. Skrat akumulátora môže spôsobiť veľký tok prúdu, prehriatie, možné popáleniny či dokonca poruchu.**
6. **Nástroj ani akumulátor neskladujte a nepoužívajte na miestach s teplotou presahujúcou 50 °C (122 °F).**
7. **Akumulátor nespaliťte, ani keď je vážne poškodený alebo úplne opotrebovaný. Akumulátor môže v ohni explodovať.**
8. **Akumulátor neprepichujte, neprerezávajte, nedrvtvte, nehádzte ani ho nenarúšajte údermi o tvrdé predmety. Môže to viesť k požiaru, nadmernému teplu alebo výbuchu.**
9. **Nepoužívajte poškodený akumulátor.**
10. **Lítium-iónové akumulátory, ktoré sú súčasťou náradia, podliehajú požiadavkám legislatívy o nebezpečnom tovare.**
V prípade obchodnej prepravy, napr. dodanie tretími stranami či špeditériami, sa musia dodržiavať špeciálne požiadavky na zabalenie a označenie.

Pred prípravou položky na odoslanie sa vyžaduje konzultácia s odborníkom na nebezpečný materiál. Taktiež treba dodržiavať potenciálne podrobnejšie predpisy príslušnej krajiny. Prelepte alebo zakryte otvorené kontakty a zabaľte akumulátor tak, aby sa v balíku nemohol voľne pohybovať.

11. **Akumulátor pri likvidácii odstráňte z nástroja a zlikvidujte ho na bezpečnom mieste. Akumulátor zlikvidujte v súlade s miestnymi nariadeniami.**
12. **Akumulátory používajte iba s výrobkami uvedenými spoločnosťou Makita. Inštalácia akumulátorov do nevyhovujúcich výrobkov môže spôsobiť požiar, nadmerné teplo, výbuch alebo únik elektrolytov.**
13. **Ak sa nástroj dlhší čas nepoužíva, odstráňte z neho akumulátor.**
14. **Akumulátor sa môže počas používania a po použití zohriať, čo môže spôsobiť popáleniny alebo popáleniny aj pri relatívne nízkej teplote. Pri manipulácii s horúcimi akumulátormi dávajte pozor.**
15. **Nedotýkajte sa svorky nástroja ihneď po použití, keďže sa mohla zohriať dostatočne na to, aby spôsobila popáleniny.**
16. **Zabráňte zachytávaniu triesok, prachu alebo zeminy na svorkách, otvoroch a drážkach akumulátora. Môže to spôsobiť zohriatie, požiar, výbuch a poruchu nástroja alebo akumulátora, v dôsledku čoho môže dôjsť k popáleninám alebo zraneniu osôb.**
17. **Pokiaľ nástroj nepodporuje používanie v blízkosti vysokonapäťových elektrických vedení, nepoužívajte akumulátor blízko vysokonapäťových elektrických vedení. Môže to viesť k nesprávnemu fungovaniu alebo poškodeniu nástroja alebo akumulátora.**
18. **Akumulátor držte mimo dosahu detí.**

TIETO POKYNY USCHOVAJTE.

POZOR: Používajte len originálne akumulátory od spoločnosti Makita. Používanie batérií, ktoré nie sú od spoločnosti Makita, alebo upravených batérií môže spôsobiť výbuch batérie a následný požiar, zranenie osôb alebo poškodeniu majetku. Následkom bude aj zrušenie záruky od spoločnosti Makita na nástroj a nabíjačku od spoločnosti Makita.

Rady na udržanie maximálnej životnosti akumulátora

1. **Akumulátor nabíjate ešte predtým, ako sa úplne vybije. Vždy prerušte prácu s nástrojom a nabíjate akumulátor, keď spozorujete nižší výkon nástroja.**
2. **Nikdy nenabíjate plne nabitý akumulátor. Prebíjanie skracuje životnosť akumulátora.**
3. **Akumulátor nabíjajte pri izbovej teplote 10 °C – 40 °C (50 °F – 104 °F). Pred nabíjaním nechajte horúci akumulátor vychladnúť.**
4. **Keď akumulátor nepoužívate, vyberte ho z nástroja alebo nabíjačky.**
5. **Lítium-iónový akumulátor nabíjate, ak ste ho nepoužívali dlhšie ako šesť mesiacov.**

POPIS SÚČASTÍ

Model UT001G

► Obr.1

1	Spúšťač spínač	2	Tlačidlo odomknutia
3	Tlačidlo zamknutia	4	Otočný ovládač rýchlosti
5	Ovládač zmeny otáčok	6	Kryt akumulátora
7	Rukoväť	8	Držiak hriadeľa
9	Hriadeľ	10	Čepeľ miešadla

Model UT002G

► Obr.2









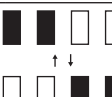
1	Spúšťač spínač	2	Tlačidlo odomknutia
3	Tlačidlo zamknutia	4	Otočný ovládač rýchlosti
5	Ovládač zmeny otáčok	6	Kryt akumulátora
7	Rukoväť	8	Skľučovadlo

PRÍPRAVA PRED POUŽITÍM

Indikácia zvyšnej kapacity akumulátora

Stlačením tlačidla kontroly na akumulátore zobrazíte zostávajúcu kapacitu akumulátora. Indikátory sa na niekoľko sekúnd rozsvietia.

► Obr.3: 1. Indikátory 2. Tlačidlo kontroly

Indikátory			Zostávajúca kapacita
 Svieti	 Nesvieti	 Bliká	
			75 % až 100 %
			50 % až 75 %
			25 % až 50 %
			0 % až 25 %
			Akumulátor nabíje.
			Akumulátor je možno chybný.

POZNÁMKA: V závislosti od podmienok používania a v závislosti od okolitej teploty sa môže zobrazenie mierne odlišovať od skutočnej kapacity.

POZNÁMKA: Prvý (úplne vľavo) svetelný indikátor bude blikať, keď systém ochrany akumulátora funguje.

Čo musíte vedieť pred použitím

Pri používaní alebo prenášaní držte nástroj za rukoväť.

► Obr.4

⚠ POZOR: Nedržte ho za plechovú časť. Ostré miesta môžu spôsobiť poranenie.

Systém na ochranu nástroja/akumulátora

Nástroj je vybavený systémom ochrany nástroja/akumulátora. Tento systém automaticky vypne napájanie motora s cieľom predĺžiť životnosť nástroja a akumulátora. Nástroj sa počas prevádzky automaticky zastaví v prípade, ak sa nástroj alebo akumulátor dostanú do jedného z nasledujúcich stavov:

Ochrana proti preťaženiu

Keď sa nástroj/batéria používa spôsobom, ktorý spôsobuje odber neštandardne vysokého prúdu, zariadenie sa automaticky vypne. V tejto situácii vypnite nástroj a ukončíte prácu, ktorá spôsobuje jeho preťažovanie. Potom nástroj zapnutím znova spustíte.

Ochrana pred prehrievaním

Keď sa nástroj alebo akumulátor prehreje, nástroj sa automaticky zastaví. V tejto situácii nechajte nástroj/akumulátor pred opätovným spustením vychladnúť.

Ochrana pred nadmerným vybitím

Keď sa kapacita akumulátora zníži, nástroj sa automaticky zastaví. Ak produkt nebude fungovať ani po použití vypínača, z nástroja vyberte akumulátory a nabíjte ich.

SPÔSOB POUŽITIA

⚠ POZOR: Pred vykonaním akejkoľvek práce na nástroji vždy skontrolujte, či je nástroj vypnutý a akumulátor je vybratý.

UPOZORNENIE: Keď nepracujete, položte zariadenie a uskladnite ho.

► Obr.5

Montáž

Montáž hriadeľa

Voliteľné prislúšenstvo

Pre model UT001G

1. Hriadeľ upevnite v držiaku hriadeľa.

► Obr.6: 1. Hriadeľ 2. Držiak hriadeľa

2. Ploché časti na držiaku hriadeľa držte kľúčom č. 19, aby sa držiak hriadeľa nemohol otáčať. S pridržiavanými plochými časťami ďalším kľúčom č. 19 doťahujte šesťhrannú maticu v smere šípky.

► Obr.7: 1. Hriadeľ 2. Držiak hriadeľa

Pre model UT002G

1. Vložte hriadeľ do skľučovadla až na doraz.
► **Obr.8:** 1. Hriadeľ 2. Skľučovadlo
2. Skľučovadlo utiahnite rukou, potom umiestnite kľúč skľučovadla do všetkých troch otvorov a utiahnite ho v smere hodinových ručičiek. Uistite sa, že kľúč skľučovadla utiahnete vo všetkých troch otvoroch rovnomerne.
► **Obr.9:** 1. Kľúč skľučovadla 2. Skľučovadlo
3. Ak chcete hriadeľ vybrať, otáčajte kľúčom skľučovadla len v jednom z otvorov proti smeru hodinových ručičiek a potom skľučovadlo povoľte rukou.
4. Keď kľúč skľučovadla nepoužívate, odložte ho podľa znázornenia na obrázku, aby sa nestratil.
► **Obr.10:** 1. Kľúč skľučovadla

Montáž čepele miešadla

Voliť/né príslušenstvo

Vložte čepeľ miešadla do hriadeľa a zaistite ju skrutkou so šesťhrannou hlavou. Následne ju umiestnite tak, aby horný koniec skrutky so šesťhrannou hlavou vždy zapadol na plochú časť hriadeľa a dotiahnite skrutku so šesťhrannou hlavou dodaným kľúčom.

- **Obr.11:** 1. Skrutka so šesťhrannou hlavou
2. Hriadeľ 3. Plochá časť 4. Čepeľ miešadla

Pri inštalácii čepelí miešadla na dvoch rôznych miestach nainštalujte a zaistite tieto dve čepele miešadla na plochú časť hriadeľa pomocou skrutiek so šesťhrannou hlavou tak, aby boli rovnaké plochy čepelí miešadla otočené k sebe, ako vidno na obrázku.

- **Obr.12:** 1. Skrutka so šesťhrannou hlavou
2. Hriadeľ 3. Plochá časť 4. Čepeľ miešadla

POZNÁMKA: Požiadajte miestne servisné stredisko spoločnosti Makita o informáciu, ktoré čepele miešadla sú povolené.

Inštalácia alebo demontáž akumulátora

▲POZOR: Pred inštaláciou alebo vybratím akumulátora nástroj vždy vypnite.

▲POZOR: Pri inštalovaní a vyberaní akumulátora pevne uchopte nástroj a akumulátor. Ak nástroj a akumulátor pevne neuchopíte, môže to mať za následok vyšmyknutie z vašich rúk s dôsledkom poškodenia nástroja a akumulátora, ako aj osobných poranení.

▲POZOR: Nepoužívajte tento nástroj s adaptérom akumulátora. Ak pripojíte adaptér akumulátora k nástroju, kryt akumulátora nebude možné zatvoriť a používanie nástroja s otvoreným krytom akumulátora môže viesť k poraneniu.

▲POZOR: Pri otváraní a zatváraní krytu akumulátora dávajte pozor, aby ste si nepricvikli prsty.

UPOZORNENIE: Nainštalujte kryt akumulátora, ktorý vyhovuje veľkosti akumulátora.

Otvorte kryt akumulátora a súčasne držte tlačidlo na kryte akumulátora.

- **Obr.13:** 1. Tlačidlo 2. Kryt akumulátora

Ak chcete vybrať akumulátor, vysuňte ho z nástroja, pričom posuňte tlačidlo na prednej strane akumulátora.

- **Obr.14:** 1. Červený indikátor 2. Tlačidlo
3. Akumulátor

Akumulátor vložte tak, že jazýček akumulátora zarovnáte s drážkou v kryte a zasuniete ho na miesto. Zatlačte ho úplne, kým zakliknutím nezapadne na miesto. Ak vidíte červený indikátor, ako je znázornené na obrázku, nie je správne zaistený.

Po vložení akumulátora riadne zatvorte kryt akumulátora.

▲POZOR: Akumulátor vždy nainštalujte úplne, až kým nie je vidieť červený indikátor. V opačnom prípade môže náhodne vypadnúť z nástroja a ublížiť vám alebo osobám v okolí.

▲POZOR: Pri inštalovaní akumulátora nepoužívajte silu. Ak sa akumulátor nedá zasunúť ľahko, nevkladáte ho správne.

Zapínanie

▲VAROVANIE: Pred nainštalovaním akumulátora do nástroja sa vždy presvedčte, že spúšťací spínač funguje správne a potiahnutím a uvoľnením sa vráti do polohy „OFF“ (VYP).

▲VAROVANIE: NIKDY neobchádzajte použitie tlačidla odomknutia jeho prílepením v stlačenej polohe alebo inými prostriedkami. Spínač s vyradeným tlačidlom odomknutia môže spôsobiť náhodné spustenie s dôsledkom vážnych osobných poranení.

▲VAROVANIE: NIKDY nepoužívajte nástroj, ak sa spustí pri stlačení len spúšťacieho spínača bez stlačenia tlačidla odomknutia. Vypínač, ktorý potrebuje opravu, môže spôsobiť náhodné spustenie a vážne osobné poranenie. PRED ďalším použitím vráťte nástroj do servisného centra Makita, kde ho dôkladne opraviva.

▲VAROVANIE: Nevkladajte akumulátor s aktívnym tlačidlom zamknutia.

Nástroj je vybavený tlačidlom odomknutia, ktoré bráni náhodnému potiahnutiu spúšťacieho spínača. Ak chcete spustiť nástroj, stlačte tlačidlo odomknutia a potiahnite spúšťací spínač.

Rýchlosť nástroja sa zvyšuje zvyšovaním prítlaku na spúšťací spínač. Nástroj zastavíte uvoľnením spúšťacieho spínača.

Ak chcete pracovať nepretržite, pri stlačení spúšťacieho spínača stlačte tlačidlo zamknutia a následne uvoľnite spúšťací spínač. Nástroj zastavíte úplným stlačením a uvoľnením spúšťacieho spínača.

- **Obr.15:** 1. Spúšťací spínač 2. Tlačidlo odomknutia
3. Tlačidlo zamknutia

Používanie ovládača zmeny otáčok

UPOZORNENIE: Ovládač zmeny otáčok používajte až po úplnom zastavení nástroja. Pri zmene režimu otáčok nástroja pred úplným zastavením by mohlo dôjsť k poškodeniu nástroja.

UPOZORNENIE: Ovládač zmeny otáčok vždy starostlivo nastavte do správnej polohy. Ak je pri prevádzke nástroja ovládač zmeny otáčok umiestnený v polovici medzi polohou 1 a polohou 2, nástroj sa môže poškodiť.

UPOZORNENIE: Ak sa úroveň otáčok počas prevádzky v režime vysokých otáčok výrazne zníži, zastavte nástroj a zmeňte režim na režim nízkych otáčok. V opačnom prípade sa môže motor preťažiť a zapríčiniť poruchu alebo požiar.

Ovládačom zmeny otáčok možno vopred zvoliť dva rozsahy otáčok.

Vyberte si vhodný režim otáčok pre materiál, ktorý chcete miešať.

Ak chcete zmeniť režim otáčok, otočte ovládač zmeny otáčok tak, aby ukazovateľ smeroval k bodke v polohe 1 pre režim nízkych otáčok alebo k bodke v polohe 2 pre režim vysokých otáčok.

► **Obr.16:** 1. Ukazovateľ 2. Ovládač zmeny otáčok 3. Bodka

Používanie otočného ovládača rýchlosti

Otáčky nástroja možno plynulo nastavovať otočným ovládačom rýchlosti. Otáčky naprázdno pri úplnom potiahnutí spúšťacieho spínača sa dajú nastaviť v rozsahu od 270 min⁻¹ do 500 min⁻¹ v režime nízkych otáčok, od 500 min⁻¹ do 920 min⁻¹ v režime vysokých otáčok. Vyššie otáčky dosiahnete, keď budete otočný ovládač otáčať smerom k číslu 5; nižšie otáčky dosiahnete, keď budete otočný ovládač otáčať smerom k číslu 1. Vyberte si vhodné otáčky pre materiál, ktorý chcete miešať.

► **Obr.17:** 1. Otočný ovládač rýchlosti

UPOZORNENIE: Otočný ovládač rýchlosti je možné otočiť maximálne do polohy 5 a späť do polohy 1. Netlačte ho nasilu za polohu 5 alebo 1.

Funkcia na zabránenie náhodnému spusteniu

Ak počas stlačenia spúšťacieho spínača alebo zaisťovania spúšťacieho spínača vložíte akumulátor, nástroj sa nespustí. Nástroj spustíte uvoľnením spúšťacieho spínača a následným stlačením spúšťacieho spínača.

Elektronické funkcie

Na jednoduchšiu obsluhu je nástroj vybavený nasledujúcou elektronickou funkciou.

Pozvoľný rozbeh

Funkcia pozvoľného rozbehu minimalizuje štartovací otras a umožňuje hladké spustenie nástroja.

Základná obsluha

▲POZOR: Nemiešajte horľavé materiály ani nepoužívajte nástroj v blízkosti horľavých materiálov ako farba s riedidlom použitá ako rozpúšťadlo. V opačnom prípade môže dôjsť k zraneniu.

▲POZOR: Materiál s vysokou viskozitou nemiešajte v režime vysokých otáčok. V opačnom prípade by ste mohli stratiť kontrolu nad nástrojom a spôsobiť poranenie.

▲POZOR: Neotáčajte čepele miešadla mimo nádoby na miešanie.

▲POZOR: Ak pri používaní začujete nezvyčajný zvuk, vypnite vypínač a nástroj prestaňte používať.

UPOZORNENIE: Keď miešate materiál a čepeľ miešadla sa vynára von, dávajte pozor, aby ste materiálom nešpliechali.

UPOZORNENIE: Nástroj nepoužívajte na iné účely ako na miešanie malty, betónu atď.

1. Na základe miešaného materiálu si vyberte režim vysokých alebo nízkych otáčok.
2. Držte nástroj pevne oboma rukami. Čepeľ miešadla úplne zasunúť pod materiál. Skontrolujte, či materiál nie je stuhnutý a či je pracovisko bezpečné, potom zapnite nástroj.
3. Počas miešania pohybujte čepeľou miešadla hore a dole, aby sa všetok materiál premiešal.
4. Pri dokončovaní miešania nástroj vypnite. Uistite sa, že čepeľ miešadla úplne zastala, a následne prístroj vytiahnite z nádoby na miešanie.

Aplikované činnosti

▲POZOR: Pred úpravou alebo kontrolou funkčnosti nástroja vždy skontrolujte, či je nástroj vypnutý a akumulátor je vybraný.

Výmena krytu akumulátora

Voliteľné prislúšenstvo

Nainštalujte taký kryt akumulátora, ktorý bude vyhovovať veľkosti akumulátora.

► **Obr.18:** 1. Kryt akumulátora S 2. Kryt akumulátora L 3. Tlačidlo

1. Otvorte štandardne dodávaný kryt akumulátora a súčasne držte stlačené tlačidlo na kryte akumulátora.
2. Uvoľnite skrutku, ktorá zaisťuje štandardne dodávaný kryt akumulátora. Potom odstráňte skrutku, objímku a kryt akumulátora.
- **Obr.19:** 1. Skrutka 2. Objímka 3. Kryt akumulátora (štandardne dodávaný)

POZNÁMKA: Objímka môže zostať v montážnych otvoroch. V takom prípade ju vytiahnite pomocou skrutky alebo podobného predmetu.

3. Zarovnajete montážny otvor na voliteľnom kryte akumulátora s montážnymi otvormi na puzdre. Vložte objímku. Potom utiahnite skrutky a zaisťíte ho na mieste.
- **Obr.20:** 1. Skrutka 2. Objímka 3. Kryt akumulátora (voliteľný)
4. Kryt akumulátora pevne zatvorte.

Montáž a demontáž držiaka hriadeľa

špecifické podľa danej krajiny

Pre model UT001G

Z voliteľne dostupných držiakov hriadeľa nainštalujte ten, ktorý bude zodpovedať veľkosti skrutky hriadeľa.

► **Obr.21:** 1. Držiak hriadeľa M12 2. Držiak hriadeľa M14

Pridržite vreteno kľúčom a zároveň iným kľúčom uvoľnite držiak hriadeľa.

► **Obr.22:** 1. Držiak hriadeľa 2. Kľúč 3. Vreteno

Montáž držiaka hriadeľa prebieha v opačnom poradí než demontáž.

Pre model UT002G

1. Šesťhranný kľúč vložte do skľučovadla a uvoľnite skľučovadlo so šesťhranným kľúčom, kým kľúčom držíte vreteno.

► **Obr.23:** 1. Šesťhranný kľúč 2. Skľučovadlo 3. Kľúč 4. Vreteno

2. Utiahnite držiak hriadeľa kľúčom a zároveň držte vreteno druhým kľúčom.

► **Obr.24:** 1. Držiak hriadeľa 2. Kľúč 3. Vreteno

Manipulácia po použití

Po použití dôkladne utrite zvyšky materiálu z nástroja mokrú handrou a pod. Pri čistení dôkladne očistite vetracie otvory, oblasť vypínača, otvory krytov atď.

UPOZORNENIE: Nástroj nečistite vo vode.

Voda sa dostane do krytu motora a spôsobí poruchu motora.

ÚDRŽBA

POZOR: Pred vykonaním kontroly alebo údržby vždy skontrolujte, či je nástroj vypnutý a akumulátor je vybratý.

UPOZORNENIE: Nepoužívajte benzín, riedidlo, alkohol ani podobné látky. Mohlo by to spôsobiť zmenu farby, deformácie alebo praskliny.

Ak chcete udržať BEZPEČNOSŤ a BEZPORUCHOVOSŤ výrobku, prenechajte opravy, údržbu a nastavenie na autorizované alebo továrenské servisné centrá Makita, ktoré používajú len náhradné diely značky Makita.

Riešenie problémov

Pred žiadosťou o opravu skontrolujte nasledujúce body.

1. Reštartujte nástroj tak, že ho vypnete a potom znova zapnete.
2. Nabite akumulátory alebo ich vymeňte za nabité akumulátory.
3. Nechajte nástroj aj akumulátory vychladnúť.

Ak po obnovení systému ochrany nedošlo k zlepšeniu stavu, obráťte sa na miestne servisné stredisko spoločnosti Makita.

VOLITEĽNÉ PRÍSLUŠENSTVO

POZOR: Pre váš nástroj Makita, opísaný v tomto návode, doporučujeme používať toto príslušenstvo a nástavce. Pri použití iného príslušenstva či nástavcov môže hroziť nebezpečenstvo zranenia osôb. Príslušenstvo a nástavce sa môžu používať len na účely pre ne stanovené.

Ak potrebujete bližšie informácie týkajúce sa tohoto príslušenstva, obráťte sa na vaše miestne servisné stredisko firmy Makita.

- Čepel miešadla
- Hriadeľ
- Kryt akumulátora
- Originálna batéria a nabíjačka Makita

POZNÁMKA: Niektoré položky zo zoznamu môžu byť súčasťou balenia nástrojov vo forme štandardného príslušenstva. Rozsah týchto položiek môže byť v každej krajine odlišný.

SPECIFIKACE

Model:		UT001G	UT002G
Otáčky bez zatížení	Režim vysokých otáček	0 – 920 min ⁻¹	
	Režim nízkých otáček	0 – 500 min ⁻¹	
Maximální průměr míchací lopatky		240 mm	
Celková délka (bez hlídele a míchací lopatky)	s krytem akumulátoru S	373 mm	363 mm
	s krytem akumulátoru L	412 mm	403 mm
Jmenovité napětí		36 V – 40 V DC max	
Čistá hmotnost		5,7 – 7,0 kg	5,8 – 7,2 kg

- Vzhledem k neustálému výzkumu a vývoji zde uvedené technické údaje podléhají změnám bez upozornění.
- Technické údaje a akumulátor se mohou v různých zemích lišit.
- Hmotnost se může lišit v závislosti na nástavcích a přídatných zařízeních, včetně akumulátoru. Nejlehčí a nejtěžší kombinace, dle EPTA-Procedure 01/2014, jsou uvedeny v tabulce níže.

Použitelný akumulátor a nabíječka

Akumulátor	BL4020 / BL4025 / BL4040* / BL4050F* / BL4080F* * : Doporučený akumulátor
Nabíječka	DC40RA / DC40RB / DC40RC

- V závislosti na regionu vašeho bydliště nemusí být některé akumulátory a nabíječky k dispozici.

VAROVÁNÍ: Používejte pouze výše uvedené akumulátory a nabíječky. Použití jiných akumulátorů a nabíječek může způsobit zranění a/nebo požár.

Symbyly

Níže jsou uvedeny symboly, se kterými se můžete při použití nářadí setkat. Je důležité, abyste dříve, než s ním začnete pracovat, pochopili jejich význam.



Přečtěte si návod k obsluze.



Nepoužívejte toto nářadí v dešti.



Nečistěte toto nářadí vodou.



Pouze pro země EU

Z důvodu přítomnosti nebezpečných součástí v zařízení mohou odpadní elektrické a elektronické zařízení, akumulátory a baterie negativně ovlivnit životní prostředí a lidské zdraví.

Elektrické a elektronické spotřebiče ani akumulátory nevyhazujte do domovního odpadu! V souladu s evropskou směrnicí o odpadních elektrických a elektronických zařízeních, akumulátorech a bateriích a odpadních akumulátorech a bateriích, stejně jako jejím přizpůsobením ve vnitrostátním právu, by odpadní elektrická zařízení, baterie a akumulátory měly být uchovávány odděleně a měly by být odevzdaný na vyhrazeném sběrném místě komunálního odpadu, které je provozováno v souladu s předpisy na ochranu životního prostředí. Toto je označeno symbolem přeškrtnuté popelnice na kolečkách, který je umístěn na zařízení.

Účel použití

Nářadí je určeno k míchání stavebních materiálů, atd. (kromě hořlavých materiálů).

Hlučnost

Typická vážená hladina hluku (A) určená podle normy EN62841-2-10:

Model UT001G

Hladina akustického tlaku (L_{pA}): 81 dB(A)
Hladina akustického výkonu (L_{WA}): 92 dB (A)
Nejistota (K): 3 dB(A)

Model UT002G

Hladina akustického tlaku (L_{pA}): 81 dB(A)
Hladina akustického výkonu (L_{WA}): 92 dB (A)
Nejistota (K): 3 dB(A)

POZNÁMKA: Celková(é) hodnota(y) emisí hluku byla(y) změněna(y) v souladu se standardní zkušební metodou a dá se použít k porovnání nářadí mezi sebou.

POZNÁMKA: Hodnotu(y) deklarovaných emisí hluku lze také použít k předběžnému posouzení míry expozice vibracím.

VAROVÁNÍ: Použijte ochranu sluchu.

VAROVÁNÍ: Emise hluku se při používání elektrického nářadí ve skutečnosti mohou od deklarované(y) hodnot(y) lišit v závislosti na způsobech použití nářadí.

VAROVÁNÍ: Nezapomeňte stanovit bezpečnostní opatření na ochranu obsluhy podle odhadu expozice ve skutečných podmínkách použití. (Vezměte přitom v úvahu všechny části provozního cyklu, tj. kromě doby zátěže například doby, kdy je nářadí vypnuté a kdy běží naprázdno.)

Vibrace

Celková hodnota vibrací (vektorový součet tří os) určená podle normy EN62841-2-10:

Model UT001G

Pracovní režim: provoz bez zatížení
Emise vibrací (a_h): 2,5 m/s² nebo méně
Nejistota (K): 1,5 m/s²

Model UT002G

Pracovní režim: provoz bez zatížení
Emise vibrací (a_h): 2,5 m/s² nebo méně
Nejistota (K): 1,5 m/s²

POZNÁMKA: Celková(é) hodnota(y) deklarovaných vibrací byla(y) změřena(y) v souladu se standardní zkušební metodou a dá se použít k porovnání nářadí mezi sebou.

POZNÁMKA: Celkovou(é) hodnotu(y) deklarovaných vibrací lze také použít k předběžnému posouzení míry expozice vibracím.

VAROVÁNÍ: Emise vibrací se při používání elektrického nářadí ve skutečnosti mohou od deklarované(y) hodnot(y) lišit v závislosti na způsobech použití nářadí.

VAROVÁNÍ: Nezapomeňte stanovit bezpečnostní opatření na ochranu obsluhy podle odhadu expozice ve skutečných podmínkách použití. (Vezměte přitom v úvahu všechny části provozního cyklu, tj. kromě doby zátěže například doby, kdy je nářadí vypnuté a kdy běží naprázdno.)

Prohlášení ES o shodě

Pouze pro evropské země

Prohlášení ES o shodě je obsaženo v Příloze A tohoto návodu k obsluze.

BEZPEČNOSTNÍ VÝSTRAHY

Obecná bezpečnostní upozornění k elektrickému nářadí

VAROVÁNÍ: Přečtěte si všechny bezpečnostní výstrahy i pokyny a prohlédněte si ilustrace a specifikace dodané k tomuto elektrickému nářadí. Nedodržení všech níže uvedených pokynů může vést k úrazu elektrickým proudem, požáru či vážnému zranění.

Všechna upozornění a pokyny si uschovejte pro budoucí potřebu.

Pojem „elektrické nářadí“ v upozorněních označuje elektrické nářadí, které se zapojuje do elektrické sítě, nebo elektrické nářadí využívající akumulátory.

Bezpečnostní upozornění k akumulátorové míchačce

1. **Nářadí držte oběma rukama za příslušná držadla.** Při ztrátě kontroly nad nářadím může dojít ke zranění.
2. **Při míchání hořlavých materiálů zajistěte dostatečné větrání, aby se zamezilo nebezpečné atmosféře.** Vznikající výpary mohou být nasáthy nebo zapáleny jiskrou, kterou může elektrické nářadí vytvořit.
3. **Nemíchejte potraviny.** Elektrické nářadí a jeho příslušenství není určeno ke zpracování potravin.
4. **Ujistěte se, že je míchací nádoba umístěna v pevné a bezpečné poloze.** Nádoba, která není správně zajištěna, se může nečekaně posunout.
5. **Dodržujte pokyny a upozornění k míchanému materiálu.** Míchaný materiál může být škodlivý.
6. **Do míchací nádoby při míchání nevkládejte ruce ani jiné předměty.** Kontakt s míchacím listem může způsobit vážné poranění.
7. **Nářadí spouštějte a provozujte pouze v míchací nádobě.** Míchací nůž se může nekontrolovaně ohnout nebo otočit.
8. **Zajistěte, aby se o kryt elektrického nástroje nerostřikla žádná tekutina.** Tekutina, která pronikla do elektrického nástroje, může způsobit jeho poškození.
9. **Použijte pomocná držadla, pokud jsou k nářadí dodána.** Při ztrátě kontroly nad nářadím může dojít ke zranění.
10. **Při práci v místech, kde může dojít ke kontaktu nástrojů z příslušenství se skrytým elektrickým vedením, držte elektrické nářadí za izolované části držadel.** Nástroje z příslušenství mohou při kontaktu s vodičem pod napětím přenést proud do nechráněných částí nářadí a obsluha může utrpět úraz elektrickým proudem.
11. **Vždy zaujměte stabilní postoj. Při práci s nářadím ve výškách dbejte, aby se pod vámi nepohybovaly žádné osoby.**
12. **Držte nářadí pevně.**
13. **Nepřibližujte ruce k otáčejícím se částem.**

14. Nenechávejte nářadí běžet bez dozoru. Nářadí používejte pouze tehdy, pokud je držíte.
15. Některé materiály obsahují chemikálie, které mohou být jedovaté. Dávejte pozor, abyste nedechovali prach nebo nedocházelo ke kontaktu s kůží. Dodržujte bezpečnostní výstrahy dodavatele materiálu.
16. Při míchání postavte míchací nádobu na rovnou a stabilní plochu.

TYTO POKYNY USCHOVEJTE.

⚠VAROVÁNÍ: NEDOVOLTE, aby pohodlnost nebo pocit znalosti výrobku (získaný na základě předchozího použití) vedl k zanedbání dodržování bezpečnostních pravidel platných pro tento výrobek. **NESPŘÁVNÉ POUŽÍVÁNÍ** či nedodržení bezpečnostních pravidel uvedených v tomto návodu k obsluze může způsobit vážné zranění.

Důležitá bezpečnostní upozornění pro akumulátor

1. Před použitím akumulátoru si přečtěte všechny pokyny a varovné symboly na (1) nabíječce, (2) akumulátoru a (3) výrobku využívajícím akumulátor.
2. Nerozebírejte akumulátor ani do něj nijak nezasahujte. Může dojít k požáru, nadměrnému zahřátí nebo výbuchu.
3. Pokud se příliš zkrátí provozní doba akumulátoru, přerušte okamžitě práci. V opačném případě existuje riziko přehřívání, popálení nebo dokonce výbuchu.
4. Budou-li vaše oči zasaženy elektrolytem, vypláchněte je čistou vodou a okamžitě vyhledejte lékařskou pomoc. Může dojít ke ztrátě zraku.
5. Akumulátor nezkratujte:
 - (1) Nedotýkejte se svorek žádným vodivým materiálem.
 - (2) Neskladujte akumulátor v nádobě s jinými kovovými předměty, jako jsou hřebíky, mince, apod.
 - (3) Nevystavuje akumulátor vodě a dešti. Zkrat akumulátoru může způsobit velký průtok proudu, přehřátí, možné popálení a dokonce i poruchu.
6. Neskladujte a nepoužívejte nářadí a akumulátor na místech, kde může teplota překročit 50 °C (122 °F).
7. Nespálujte akumulátor, ani když je vážně poškozen nebo úplně opotřeben. Akumulátor může v ohni vybuchnout.
8. Akumulátor nesmí být proražen hřebíkem, řezán, drcen, házen či upuštěn na zem, ani nesmí dojít k nárazu tvrdého předmětu do něj. Taková situace může způsobit požár, nadměrné zahřátí či výbuch.
9. Nepoužívejte poškozené akumulátory.
10. Obsažené lithium-iontové akumulátory podléhají právním požadavkům na nebezpečné zboží. V případě komerční přepravy například externími dopravci je třeba dodržet zvláštní požadavky na balení a značení.

Pro přípravu zboží k přepravě je nutná konzultace s odborníkem na nebezpečný materiál. Dodržujte také případné podrobnější národní předpisy. Odkryté kontakty přelepte izolační páskou či jinak zakryjte a akumulátory zabalte tak, aby se v balení nemohly pohybovat.

11. Při likvidaci akumulátoru jej vyjměte z nářadí a zlikvidujte jej na bezpečném místě. Při likvidaci akumulátoru postupujte podle místních předpisů.
12. Akumulátor používejte pouze s výrobky specifikovanými společností Makita. Instalace akumulátoru do nevhovujících výrobků může způsobit požár, nadměrné zahřívání, explozi nebo únik elektrolytu.
13. Pokud nářadí delší dobu nepoužíváte, je nutné z něj akumulátor vyjmout.
14. Během a po použití se může akumulátor zahřát, což může způsobit popálení nebo podráždění. Při manipulaci s horkými akumulátory dávejte pozor.
15. Nedotýkejte se koncovky na nářadí ihned po použití, protože ta může být horká a způsobit popálení.
16. Do koncovek, otvorů a zdiček na akumulátoru se nesmí dostat piliny, prach nebo jiné nečistoty. To může způsobit zahřátí, vznícení, prasknutí a poruchu nářadí nebo akumulátoru, což může vést k popáleninám nebo zranění osob.
17. Jestliže nářadí není zkonstruováno tak, že jej lze používat v blízkosti vysokého elektrického napětí, nepoužívejte akumulátor poblíž vedení s vysokým elektrickým napětím. Mohlo by tím dojít k poruše či selhání nářadí či akumulátoru.
18. Akumulátor uchovávejte mimo dosah dětí.

TYTO POKYNY USCHOVEJTE.

⚠UPOZORNĚNÍ: Používejte pouze originální akumulátory Makita. Používání neoriginálních nebo upravených akumulátorů může způsobit explozi akumulátoru a následný požár, zranění a jiné poškození. Zaniká tím také záruka společnosti Makita na nářadí a nabíječku Makita.

Typy k zajištění maximální životnosti akumulátoru

1. Akumulátor nabíjte dříve, než dojde k jeho úplnému vybití. Pokud si povšimnete sníženého výkonu nářadí, vždy jej zastavte a dobijte akumulátor.
2. Nikdy nenabíjete úplně nabitý akumulátor. Přebíjení zkracuje životnost akumulátoru.
3. Akumulátor dobíjete při pokojové teplotě od 10 °C do 40 °C (50 °F až 104 °F). Před nabíjením nechejte horký akumulátor zchladnout.
4. Když není akumulátor používán, vyjměte ho z nářadí či nabíječky.
5. Pokud se akumulátor delší dobu nepoužívá (déle než šest měsíců), je nutno jej dobít.

POPIS SOUČÁSTÍ

Model UT001G

► Obr.1

1	Spoušť	2	Odjišťovací tlačítko
3	Zajišťovací tlačítko	4	Otočný volič otáček
5	Ovladač regulace otáček	6	Kryt akumulátoru
7	Držadlo	8	Držák hřídele
9	Hřídel	10	Míchací lopatka

Model UT002G

► Obr.2










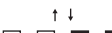
1	Spoušť	2	Odjišťovací tlačítko
3	Zajišťovací tlačítko	4	Otočný volič otáček
5	Ovladač regulace otáček	6	Kryt akumulátoru
7	Držadlo	8	Sklíčidlo

PŘÍPRAVA PŘED POUŽITÍM

Indikace zbývajících kapacity akumulátoru

Stisknutím tlačítka kontroly na akumulátoru zjistíte zbývající kapacitu akumulátoru. Kontrolky indikátoru se na několik sekund rozsvítí.

► **Obr.3:** 1. Kontrolky 2. Tlačítko kontroly

Kontrolky			Zbývající kapacita
 Svítí	 Nesvítí	 Bliká	
			75 % až 100 %
			50 % až 75 %
			25 % až 50 %
			0 % až 25 %
			Nabijte akumulátor.
 ↑ ↓ 			Došlo pravděpodobně k poruše akumulátoru.

POZNÁMKA: Kapacita udávaná indikátorem se může mírně lišit od skutečné kapacity v závislosti na podmínkách používání a teplotě prostředí.

POZNÁMKA: První kontrolka (zcela vlevo) bude blikat, když je systém ochrany akumulátoru v provozu.

Informace, které musíte vědět před použitím

Při používání nebo přenášení nářadí držte držadlo.

► **Obr.4**

▲ UPOZORNĚNÍ: Nedržte nářadí za plechovou část. Ostré povrchy mohou způsobit zranění.

System ochrany nářadí a akumulátoru

Nářadí je vybaveno systémem ochrany nářadí a akumulátoru. Tento systém automaticky přeruší napájení motoru, aby se prodloužila životnost nářadí a akumulátoru. Budou-li nářadí nebo akumulátor vystaveny některé z níže uvedených podmínek, nářadí se během provozu automaticky vypne:

Ochrana proti přetížení

Pokud se s nářadím/akumulátorem pracuje způsobem vyvolávajícím mimořádně vysoký odběr proudu, nářadí se automaticky vypne. V takové situaci nářadí vypněte a ukončete činnost, při níž došlo k přetížení nářadí. Potom nářadí opět zapněte.

Ochrana proti přehřátí

Když se nářadí či akumulátor přehřeje, automaticky se vypne. V takovém případě nechte nářadí či akumulátor před opětovným zapnutím vychladnout.

Ochrana proti přílišnému vybití

V případě nízké zbývajících kapacity akumulátoru se nářadí automaticky vypne. Jestliže produkt při ovládání přepínači nepracuje, vyjměte z nářadí akumulátory a nabije je.

ZPŮSOB POUŽITÍ

▲ UPOZORNĚNÍ: Před prováděním jakýchkoli prací na nářadí se vždy přesvědčte, zda je vypnuté a je vyjmutý akumulátor.

POZOR: Když nepracujete, položte zařízení a uložte jej.

► **Obr.5**

Sestavení

Instalace hřídele

Volitelné příslušenství

Pro typ UT001G

1. Utáhněte hřídel do držáku hřídele.

► **Obr.6:** 1. Hřídel 2. Držák hřídele

2. Podržte plošky na držáku hřídele klíčem č. 19 tak, aby nedocházelo k otáčení držáku hřídele. Když jsou plošky takto zafixovány, utáhněte šestihřtannou matku dalším klíčem č. 19 ve směru šípky.

► **Obr.7:** 1. Hřídel 2. Držák hřídele

Pro typ UT002G

1. Zasuňte hřídel co nejdále do sklíčidla.
► **Obr.8:** 1. Hřídel 2. Sklíčidlo
2. Utáhněte sklíčidlo rukou a pak vložte klíč sklíčidla do každého ze tří otvorů a utáhněte po směru hodinových ručiček. Zajistěte stejné utažení klíčem sklíčidla u všech tří otvorů.
► **Obr.9:** 1. Klíč sklíčidla 2. Sklíčidlo
3. Chcete-li hřídel vyjmout, otáčejte klíčem sklíčidla v jednom z otvorů proti směru hodinových ručiček a pak sklíčidlo povolte rukou.
4. Není-li používán, uložte klíč sklíčidla, jak je ilustrováno na obrázku; předejete tak jeho ztrátě.
► **Obr.10:** 1. Klíč sklíčidla

Montáž míchací lopatky

Volitelné příslušenství

Vložte míchací lopatku do hřídele a zajistěte šroubem se šestihrannou hlavou. Nyní jej umístěte tak, aby horní konec šroubu se šestihrannou hlavou vždy přiléhá k plošce na hřídeli, a utáhněte šroub se šestihrannou hlavou dodaným klíčem.

- **Obr.11:** 1. Šroub se šestihrannou hlavou 2. Hřídel 3. Ploška 4. Míchací lopatka

Při montáži míchacích lopatek ve dvou různých polohách namontujte a zajistěte obě míchací lopatky na ploché části hřídele pomocí šroubů se šestihrannou hlavou tak, aby stejný povrch míchacích lopatek směřoval k sobě, jak je znázorněno na obrázku.

- **Obr.12:** 1. Šroub se šestihrannou hlavou 2. Hřídel 3. Ploška 4. Míchací lopatka

POZNÁMKA: Zeptejte se svého místního servisního střediska Makita, které míchací lopatky jsou povoleny.

Nasazení a sejmутí akumulátoru

▲UPOZORNĚNÍ: Před nasazením či sejmутím akumulátoru nářadí vždy vypněte.

▲UPOZORNĚNÍ: Při nasazování či snímání akumulátoru pevně držte nářadí i akumulátor. V opačném případě vám může nářadí nebo akumulátor vyklouznout z rukou a mohlo by dojít k jejich poškození či ke zranění.

▲UPOZORNĚNÍ: Nepoužívejte toto nářadí s adaptérem akumulátoru. Pokud k nářadí připojujete adaptér akumulátoru, nesmí být kryt akumulátoru zavřený a používání nářadí s otevřeným krytem akumulátoru může způsobit poranění.

▲UPOZORNĚNÍ: Při otevírání a zavírání krytu akumulátoru si počínejte opatrně, abyste si neskřípli prsty.

POZOR: Namontujte kryt akumulátoru, který odpovídá velikosti akumulátoru.

Otevřete kryt akumulátoru stiskem tlačítka na krytu akumulátoru.

- **Obr.13:** 1. Tlačítko 2. Kryt akumulátoru

Chcete-li akumulátor sejmout, vysuňte jej se současným přesunutím tlačítka na přední straně akumulátoru.

- **Obr.14:** 1. Červený indikátor 2. Tlačítko 3. Akumulátor

Při nasazování akumulátoru vyrovnejte jazýček na bloku akumulátoru s drážkou v krytu a zasuňte akumulátor na místo. Akumulátor zasuňte na doraz, až zacvakne na své místo. Není-li zcela zajištěn, uvidíte červený indikátor dle obrázku.

Po instalaci akumulátoru bezpečně zavřete kryt akumulátoru.

▲UPOZORNĚNÍ: Akumulátor zasunujte vždy zcela tak, aby nebyl červený indikátor vidět. Jinak by mohl akumulátor ze zařízení vypadnout a způsobit zranění obsluze či přihlížejícím osobám.

▲UPOZORNĚNÍ: Akumulátor nenasazujte násilím. Nelze-li akumulátor zasunout snadno, nekládáte jej správně.

Používání spouště

▲VAROVÁNÍ: Před instalací akumulátoru do nářadí vždy zkontrolujte správnou funkci spouště a zda se spoušť po uvolnění vrací do polohy „vypnuto“ zatažením nadoraz a jejím uvolněním.

▲VAROVÁNÍ: NIKDY neblokuje funkci odjišťovacího tlačítka zalepením páskou ani jinými způsoby. Spínač se zablokovaným odjišťovacím tlačítkem může být příčinou neúmyslného zapnutí a vážného zranění.

▲VAROVÁNÍ: NIKDY nepoužívejte nářadí, které lze spustit pouhým stisknutím spouště bez použití odjišťovacího tlačítka. Spínač vyžadující opravu může způsobit neúmyslné zapnutí a vážný úraz. V takovém případě nářadí PŘED dalším použitím předejte servisnímu středisku Makita k opravě.

▲VAROVÁNÍ: Akumulátor neinstalujte s aktivovaným zajišťovacím tlačítkem.

Abyste nedocházelo k náhodnému stisknutí spouště, je nářadí vybaveno odjišťovacím tlačítkem. Chcete-li nářadí spustit, stiskněte odjišťovací tlačítko a potom spoušť.

Otáčky nářadí se zvyšují zvyšováním tlaku na spoušť. Chcete-li nářadí vypnout, uvolněte spoušť.

Pro nepřetržitý provoz zatlačte zajišťovací tlačítko, zatímco tisknete spoušť, pak spoušť uvolněte. Zastavení nářadí provedete plným stisknutím, pak spoušť uvolněte.

- **Obr.15:** 1. Spoušť 2. Odjišťovací tlačítko 3. Zajišťovací tlačítko

Použití ovladače regulace otáček

POZOR: Ovladač regulace otáček použijte až po úplném zastavení nářadí. Provedete-li změnu režimu otáček před zastavením nářadí, může dojít k jeho poškození.

POZOR: Ovladač regulace otáček vždy pečlivě přesuňte do správné polohy. Budete-li nářadí používat s ovladačem regulace otáček umístěným mezi polohami 1 a 2, může dojít k poškození nářadí.

POZOR: Pokud za provozu v režimu vysokých otáček rychlost otáček výrazně klesne, zastavte nástroj a změňte režim na režim nízkých otáček. Jinak může dojít k přetížení motoru a poruše nebo požáru.

Ovladačem regulace otáček lze volit dva různé rozsahy otáček.

Zvolte odpovídající režim otáček pro míchaný materiál. Budete-li měnit režim otáček, otočte ovladač regulace otáček tak, aby ukazatel ukazoval na tečku polohy 1 při režimu nízkých otáček a na tečku polohy 2 při režimu vysokých otáček.

► **Obr.16:** 1. Ukazatel 2. Ovladač regulace otáček 3. Tečka

Použití otočného voliče otáček

Otáčky nářadí lze plynule nastavit otočným voličem otáček. Otáčky bez zatížení, když je spoušť zcela stisknuta, lze nastavit od 270 min⁻¹ do 500 min⁻¹ v režimu nízkých otáček, od 500 min⁻¹ do 920 min⁻¹ v režimu vysokých otáček. Vyšší rychlosti se dosahuje při otáčení voličem ve směru číslíce 5; nižší rychlost lze získat při otáčení voličem ve směru číslíce 1.

Zvolte odpovídající otáčky pro míchaný materiál.

► **Obr.17:** 1. Otočný volič otáček

POZOR: Otočným voličem otáček lze otáčet pouze do polohy 5 a zpět do polohy 1. Neotáčejte jím násilím za polohu 5 nebo 1.

Funkce prevence neúmyslného opětovného spuštění

Pokud nainstalujete akumulátor, zatímco tisknete spoušť nebo blokujete spoušť, nástroj se nespustí. Nářadí spustíte uvolněním spouště, pak spoušť stisknete.

Elektronické funkce

Nářadí je vybaveno následující elektronickou funkcí usnadňující provozování.

Měkké spuštění

Funkce měkkého spuštění omezuje na minimum ráz při spuštění a umožňuje hladké spuštění nářadí.

Základní úkony

▲UPOZORNĚNÍ: Nemíchejte hořlavé materiály a nepracujte s nářadím kolem hořlavých materiálů, jako je barva s ředidlem používaným jako rozpouštědlo. V opačném případě může dojít k poranění.

▲UPOZORNĚNÍ: Nemíchejte materiály s vysokou viskozitou v režimu vysokých otáček. Můžete nad nářadím ztratit kontrolu a způsobit zranění.

▲UPOZORNĚNÍ: Neotáčejte míchací lopatku mimo míchací nádobu.

▲UPOZORNĚNÍ: Pokud během používání uslyšíte neobvyklý zvuk, vypněte vypínač a přestaňte nářadí používat.

POZOR: Pokud při míchání materiálů vyplave míchací lopatka ven z materiálu, buďte opatrní, aby se materiál nerozstříkával.

POZOR: Nepoužívejte nářadí pro jiný účel, než je míchání malty, betonu atd.

1. V závislosti na míchaném materiálu zvolte režim vysokých nebo nízkých otáček.
2. Držte nářadí pevně oběma rukama. Ponořte míchací lopatku zcela do materiálu. Zkontrolujte, zda materiál není ztuhlý a bezpečnost pracoviště, a poté nářadí zapněte.
3. Během míchání pohybuje míchací lopatku nahoru a dolů, aby se mohl promíchat veškerý materiál.
4. Po dokončení míchání nářadí vypněte. Ujistěte se, že se míchací lopatka zcela zastavila pak ji vytáhněte z míchací nádoby.

Řádné úkony

▲UPOZORNĚNÍ: Před nastavováním nářadí nebo kontrolou jeho funkce se vždy přesvědčte, zda je vypnuté a je vyjmutý akumulátor.

Výměna krytu akumulátoru

Volitelné příslušenství

Namontujte jeden z krytů akumulátoru, který odpovídá velikosti vašeho akumulátoru.

► **Obr.18:** 1. Kryt akumulátoru S 2. Kryt akumulátoru L 3. Tlačítko

1. Otevřete standardně dodaný kryt akumulátoru stiskem tlačítka na krytu akumulátoru.
2. Povolte šroub zajišťující standardně dodaný kryt akumulátoru. Pak demontujte šroub, objímku a kryt akumulátoru.
► **Obr.19:** 1. Šroub 2. Objímka 3. Kryt akumulátoru (standardně dodaný)

POZNÁMKA: Objímka může zůstat v montážních otvorech. V takovém případě ji vytáhněte pomocí šroubu nebo podobně.

3. Zarovnejte montážní otvor na volitelném krytu akumulátoru s montážními otvory na plášti. Nasaďte objímku. Pak utáhněte šrouby zajišťující pouzdro na místě.
► **Obr.20:** 1. Šroub 2. Objímka 3. Kryt akumulátoru (volitelný)
4. Pevně zavřete kryt akumulátoru.

Montáž a demontáž držáku hřídele

specifické podle země

Pro typ UT001G

Namontujte jeden z volitelně dostupných držáků hřídele, který vyhovuje vaší velikosti šroubu hřídele.

► **Obr.21:** 1. Držák hřídele M12 2. Držák hřídele M14

Zatímco držíte vřetenem klíčem, povolte držák hřídele jiným klíčem.

► **Obr.22:** 1. Držák hřídele 2. Klíč 3. Vřetenem

Při montáži držáku hřídele postupujte podle pokynů demontáže v opačném pořadí.

Pro typ UT002G

1. Vložte šestihřanný klíč do sklíčidla a pak uvolněte sklíčidlo šestihřanným klíčem a zároveň držte vřetenem klíčem.

► **Obr.23:** 1. Šestihřanný klíč 2. Sklíčidlo 3. Klíč 4. Vřetenem

2. Utáhněte držák hřídele klíčem, přitom přidržujte vřetenem jiným klíčem.

► **Obr.24:** 1. Držák hřídele 2. Klíč 3. Vřetenem

Manipulace po použití

Po použití otřete zbývající materiál z nářadí za pomoci vlhkého hadru nebo podobného nástroje. Je nutné především dbát na správné očištění ventilačních otvorů, oblastí kolem spínače, otvorů v krytu atd.

POZOR: Nečistěte toto nářadí ve vodě. Voda by se dostala do pláště motoru a způsobila jeho závadu.

ÚDRŽBA

▲UPOZORNĚNÍ: Před zahájením kontroly nebo údržby nářadí se vždy ujistěte, zda je vypnuté a je vyjmut akumulátor.

POZOR: Nikdy nepoužívejte benzín, benzen, ředidlo, alkohol či podobné prostředky. Mohlo by tak dojít ke změnám barvy, deformacím či vzniku prasklin.

K zachování BEZPEČNOSTI a SPOLEHLIVOSTI výrobku musí být opravy a veškerá další údržba či seřizování prováděny autorizovanými nebo továrními servisními středisky společnosti Makita s využitím náhradních dílů Makita.

Odstraňování problémů

Než požádáte o opravu, zkontrolujte následující body.

1. Restartujte nářadí jeho vypnutím a opětovným zapnutím.
2. Nabijte akumulátor(y) nebo jej (je) vyměňte za nabitý (nabité).
3. Nechte nářadí a akumulátor(y) vychladnout.

Pokud se obnovou ochranného systému nedosáhne žádného zlepšení, obraťte se na místní servisní středisko Makita.

VOLITELNÉ PŘÍSLUŠENSTVÍ

▲UPOZORNĚNÍ: Pro nářadí Makita popsané v tomto návodu doporučujeme používat následující příslušenství a nástavce. Při použití jiného příslušenství či nástavců může hrozit nebezpečí zranění osob. Příslušenství lze používat pouze pro stanovené účely.

Potřebujete-li bližší informace ohledně tohoto příslušenství, obraťte se na místní servisní středisko společnosti Makita.

- Míchací lopatka
- Hřídel
- Kryt akumulátoru
- Originální akumulátor a nabíječka Makita

POZNÁMKA: Některé položky seznamu mohou být k nářadí přibaleny jako standardní příslušenství. Přibalené příslušenství se může v různých zemích lišit.

ТЕХНІЧНІ ХАРАКТЕРИСТИКИ

Модель:		UT001G	UT002G
Частота обертання в режимі холостого ходу	Режим високої швидкості	0–920 хв ⁻¹	
	Режим низької швидкості	0–500 хв ⁻¹	
Максимальний діаметр змішувального диска		240 мм	
Загальна довжина (без вала й змішувального диска)	з кришкою акумуляторного відсіку S	373 мм	363 мм
	з кришкою акумуляторного відсіку L	412 мм	403 мм
Номінальна напруга		Максимум 36–40 В пост. струму	
Маса нетто		5,7–7,0 кг	5,8–7,2 кг

- Оскільки наша програма наукових досліджень і розробок триває безперервно, наведені тут технічні характеристики можуть бути змінені без попередження.
- Технічні характеристики приладу та касета з акумулятором можуть відрізнятись в різних країнах.
- Вага може відрізнятись залежно від допоміжного обладнання, наприклад касети з акумулятором. Найлегші та найважчі комплекти, відповідно до стандарту ЕРТА (Європейська асоціація виробників електронінструменту) від січня 01/2014 року, представлено в таблиці.

Застосовна касета з акумулятором і зарядний пристрій




Касета з акумулятором	BL4020 / BL4025 / BL4040* / BL4050F* / BL4080F* *: рекомендований акумулятор
Зарядний пристрій	DC40RA / DC40RB / DC40RC

- Деякі касети з акумулятором і зарядні пристрої, які вказано вище, можуть бути недоступними залежно від вашого регіону або місця перебування.

⚠ ПОПЕРЕДЖЕННЯ: Використовуйте лише касети з акумулятором і зарядні пристрої, зазначені вище. Використання будь-яких інших касет з акумулятором і зарядних пристроїв може призвести до травмування й/або пожежі.

Символи

Далі наведено символи, які можуть застосовуватися для позначення обладнання. Перед користуванням переконайтеся, що ви розумієте їхнє значення.

	Читайте інструкцію з експлуатації.
	Заборонено використовувати інструмент під дощем.
	Заборонено мити інструмент водою.



Тільки для країн ЄС
Через наявність в обладнанні небезпечних компонентів відходи електричного та електронного обладнання, акумулятори та батареї можуть негативно впливати на навколишнє середовище та здоров'я людини.

Не викидайте електричні та електронні прилади або батареї разом з побутовими відходами!

Відповідно до директиви ЄС стосовно відходів електричного та електронного обладнання, акумуляторів, батарей та відходів акумуляторів і батарей, а також відповідно до її адаптації до національного законодавства, відходи електричного обладнання, батареї та акумулятори слід зберігати окремо й доставляти на пункт роздільного збору комунальних відходів, який працює з дотриманням правил охорони навколишнього середовища.

Це позначено символом у вигляді перекресленого сміттового контейнера з колесами, нанесеним на обладнання.

Призначення

Цей інструмент призначений для змішування будівельних матеріалів тощо (за винятком горючих матеріалів).

Шум

Рівень шуму за шкалою А в типовому виконанні, визначений відповідно до стандарту EN62841-2-10:

Модель UT001G

Рівень звукового тиску (L_{pA}): 81 дБ (А)

Рівень звукової потужності (L_{WA}): 92 дБ (А)

Похибка (К): 3 дБ (А)

Модель UT002G

Рівень звукового тиску (L_{pA}): 81 дБ (А)

Рівень звукової потужності (L_{WA}): 92 дБ (А)

Похибка (К): 3 дБ (А)

ПРИМІТКА: Заявлене значення шуму було виміряно відповідно до стандартних методів тестування й може використовуватися для порівняння одного інструмента з іншим.

ПРИМІТКА: Заявлене значення шуму може також використовуватися для попереднього оцінювання впливу.

▲ПОПЕРЕДЖЕННЯ: Користуйтеся засобами захисту органів слуху.

▲ПОПЕРЕДЖЕННЯ: Залежно від умов використання рівень шуму під час фактичної роботи електроінструмента може відрізнятися від заявленого значення вібрації; особливо сильно на це впливає тип деталі, що оброблюється.

▲ПОПЕРЕДЖЕННЯ: Забезпечте належні запобіжні заходи для захисту оператора, що відповідатимуть умовам використання інструмента (слід брати до уваги всі складові робочого циклу, як-от час, коли інструмент вимкнено та коли він починає працювати на холостому ході під час запуску).

Вібрація

Загальна величина вібрації (векторна сума трьох напрямків) визначена згідно з EN62841-2-10:

Модель UT001G

Режим роботи: робота на холостому ході

Вібрація (a_h): 2,5 м/с² або менше

Похибка (К): 1,5 м/с²

Модель UT002G

Режим роботи: робота на холостому ході

Вібрація (a_h): 2,5 м/с² або менше

Похибка (К): 1,5 м/с²

ПРИМІТКА: Заявлене загальне значення вібрації було виміряно відповідно до стандартних методів тестування й може використовуватися для порівняння одного інструмента з іншим.

ПРИМІТКА: Заявлене загальне значення вібрації може також використовуватися для попереднього оцінювання впливу.

▲ПОПЕРЕДЖЕННЯ: Залежно від умов використання вібрація під час фактичної роботи електроінструмента може відрізнятися від заявленого значення вібрації; особливо сильно на це впливає тип деталі, що оброблюється.

▲ПОПЕРЕДЖЕННЯ: Забезпечте належні запобіжні заходи для захисту оператора, що відповідатимуть умовам використання інструмента (слід брати до уваги всі складові робочого циклу, як-от час, коли інструмент вимкнено та коли він починає працювати на холостому ході під час запуску).

Декларація про відповідність стандартам ЄС

Тільки для країн Європи

Декларацію про відповідність стандартам ЄС наведено в Додатку А до цієї інструкції з експлуатації.

ПОПЕРЕДЖЕННЯ ПРО ДОТРИМАННЯ ТЕХНІКИ БЕЗПЕКИ

Загальні застереження щодо техніки безпеки при роботі з електроінструментами

▲ПОПЕРЕДЖЕННЯ: Уважно ознайомтеся з усіма попередженнями про дотримання правил техніки безпеки, інструкціями, ілюстраціями та технічними характеристиками, що стосуються цього електроінструмента. Невиконання будь-яких інструкцій, перелічених нижче, може призвести до ураження електричним струмом, пожежі та/або тяжких травм.

Збережіть усі інструкції з техніки безпеки та експлуатації на майбутнє.

Термін «електроінструмент», зазначений у інструкції з техніки безпеки, стосується електроінструмента, який функціонує від електромережі (електроінструмент з кабелем живлення), або електроінструмента з живленням від батареї (безпроводний електроінструмент).

Правила техніки безпеки під час використання акумуляторного міксера

1. **Тримайте інструмент обома руками за призначені для цього ручки.** Утрата контролю над інструментом може призвести до травмування.
2. **Під час змішування горючих матеріалів забезпечте достатню вентиляцію, аби уникнути утворення небезпечної атмосфери.** Пари, що утворюються під час змішування, можуть потрапити в легені або спалахнути від іскор, що виникають під час роботи електроінструмента.

Важливі інструкції з безпеки для касети з акумулятором

3. **Не змішуйте харчові продукти.** Електроінструмент і приладдя до нього не призначені для обробки харчових продуктів.
4. **Установіть ємність для змішування на рівній і надійно закріпленій поверхні.** Якщо ємність не закріплено належним чином, вона може несподівано зсунутися.
5. **Дотримуйтеся вказівок і застережень щодо змішувачого матеріалу.** Змішуваний матеріал може бути небезпечним для здоров'я.
6. **Не лізьте руками й не вставляйте сторонніх предметів до ємності для змішування під час змішування.** Контакт із диском міксера може призвести до серйозних травм.
7. **Запускайте й зупиняйте інструмент лише в ємності для змішування.** Диск міксера може деформуватися, а його обертання може стати неконтрольованим.
8. **Стежте, аби на корпус електроінструмента не потрапляли бризки рідини.** Потраплення рідини всередину електроінструмента може пошкодити його.
9. **Використовуйте допоміжні ручки, якщо вони входять до комплекту поставки інструмента.** Втрата контролю над інструментом може призвести до травмування.
10. **Тримайте електроінструмент за ізольовані поверхні держака під час роботи в місцях, де різальне приладдя може зачепити приховану електропроводку.** Торкання різальним приладдям дроту під напругою може призвести до передавання напруги до оголених металевих частин інструмента й до ураження оператора електричним струмом.
11. **Обов'язково забезпечте надійну опору.** У разі виконання робіт з інструментом на висоті переконайтеся, що внизу нікого немає.
12. **Тримайте інструмент міцно.**
13. **Не наближайте руки до деталей, що обертаються.**
14. **Не залишайте без нагляду інструмент, який працює.** Під час використання інструмента не випускайте його з рук.
15. **Деякі матеріали містять токсичні хімічні речовини.** Будьте обережні, щоб уникнути вдихання пилу й потраплення таких матеріалів на шкіру. Дотримуйтеся правил техніки безпеки, рекомендованих постачальником матеріалів.
16. **Під час змішування встановіть ємність для змішування на рівну й стійку поверхню.**

ЗБЕРІГАЙТЕ ЦІ ВКАЗІВКИ.

▲ПОПЕРЕДЖЕННЯ: НІКОЛИ НЕ втрачайте пильності та не розслаблюйтеся під час користування виробом (що можливо при частому використанні); обов'язково строго дотримуйтеся відповідних правил безпеки. **НЕНАЛЕЖНЕ ВИКОРИСТАННЯ** або недотримання правил безпеки, викладених у цій інструкції з експлуатації, може призвести до серйозних травм.

1. **Перед тим як користуватися касетою з акумулятором, слід прочитати всі інструкції та застережні знаки щодо (1) зарядного пристрою акумулятора, (2) акумулятора та (3) виробів, що працюють від акумулятора.**
2. **Не розбирайте касету з акумулятором і не змінюйте її конструкцію.** Це може призвести до пожежі, перегріву або вибуху.
3. **Якщо період роботи дуже покоротшав, слід негайно припинити користування.** Це може призвести до виникнення ризику перегріву, опіку та навіть вибуху.
4. **У разі потраплення електроліту в очі слід промити їх чистою водою та негайно звернутися до лікаря.** Це може призвести до втрати зору.
5. **Не закоротіть касету з акумулятором.**
 - (1) **Не слід торкатися клем будь-яким струмопровідним матеріалом.**
 - (2) **Не слід зберігати касету з акумулятором у ємності з іншими металевими предметами, такими як цвяхи, монети тощо.**
 - (3) **Не залишайте касету з акумулятором під дощем, запобігайте контакту з водою.**Коротке замикання може призвести до появи значного струму, перегріву, можливих опіків та навіть виходу з ладу.
6. **Не слід зберігати й використовувати інструмент і касету з акумулятором у місцях, де температура може сягнути чи перевищити 50 °C (122 °F).**
7. **Не слід спалювати касету з акумулятором, навіть якщо вона була неодноразово пошкоджена або повністю спрацьована.** Касета з акумулятором може вибухнути у вогні.
8. **Заборонено забивати цвяхи в касету з акумулятором, різати, ламати, кидати, впускати касету з акумулятором або вдаряти її твердим предметом.** Це може призвести до пожежі, перегріву або вибуху.
9. **Не слід використовувати пошкоджений акумулятор.**
10. **Літій-іонні акумулятори, що містяться в інструменті, мають відповідати вимогам законів про небезпечні товари.** Під час транспортування за допомогою комерційних перевезень, наприклад із залученням третьої сторони та експедиторів, необхідно дотримуватись особливих вимог, вказаних на пакуванні й у маркуванні. Під час підготовки позиції до відправлення необхідно проконсультуватись зі спеціалістом з небезпечних матеріалів. Крім того, слід виконувати більш докладні національні настанови, якщо такі є. Заклейте відкриті контакти стрічкою або заховайте їх і запакуйте акумулятор таким чином, щоб він не міг рухатися в пакуванні.
11. **Для утилізації касети з акумулятором витягніть її з інструмента та утилізуйте безпечним способом.** Дотримуйтеся норм місцевого законодавства щодо утилізації акумуляторів.

12. Використовуйте акумулятори лише з виробами, указаними компанією Makita. Установлення акумуляторів у невідповідні виробни може призвести до пожежі, надмірного нагрівання, вибуху чи витоків електроліту.
13. Якщо інструментом не користуватимуться протягом тривалого періоду часу, вийміть акумулятор з інструмента.
14. Під час і після використання касета з акумулятором може нагріватися, що може стати причиною опіків або низькотемпературних опіків. Будьте обережні під час поводження з гарячою касетою з акумулятором.
15. Не торкайтеся контактів інструмента відразу після використання, оскільки він може бути досить гарячим, щоб викликати опіки.
16. Не допускайте, щоб уламки, пил або земля прилипали до контактів, отворів і пазів на касеті з акумулятором. Це може призвести до перегріву, займання, вибуху та виходу з ладу інструмента або касети з акумулятором і спричинити опіки або травми.
17. Якщо інструмент не розраховано на використання поблизу високовольтних ліній електропередач, не використовуйте касету з акумулятором поблизу високовольтних ліній електропередач. Це може призвести до несправності, поломки інструмента або касети з акумулятором.
18. Тримайте акумулятор у недоступному для дітей місці.

ЗБЕРІГАЙТЕ ЦІ ВКАЗІВКИ.

▲ОБЕРЕЖНО: Використовуйте тільки акумулятори Makita. Використання акумуляторів, інших ніж оригінальні акумулятори Makita, або акумуляторів, конструкцію яких було змінено, може призвести до вибуху акумулятора і спричинити пожежу, травму або пошкодження. У зв'язку з цим також буде анульовано гарантію Makita на інструмент Makita і на зарядний пристрій.

Поради з забезпечення максимального строку експлуатації акумулятора

1. Касету з акумулятором слід заряджати до того, як він розрядиться повністю. Завжди слід зупинити роботу інструмента та зарядити акумулятор, якщо ви помітили зменшення потужності інструмента.
2. Ніколи не слід заряджати повторно повністю заряджену касету з акумулятором. Перезарядження скорочує строк експлуатації акумулятора.
3. Заряджайте касету з акумулятором при кімнатній температурі 10°C - 40°C (50°F - 104°F). Перед тим як заряджати касету з акумулятором, слід зачекати, доки вона охолоне.
4. Коли касета з акумулятором не використовується, виймайте її з інструмента або зарядного пристрою.
5. Якщо касета з акумулятором не використовувалася тривалий час (понад шість місяців), її слід зарядити.

ОПИС ДЕТАЛЕЙ

Модель UT001G

► Рис.1

1	Курок вмикача	2	Кнопка блокування у вимкненому положенні
3	Кнопка блокування	4	Регулятор частоти обертання
5	Перемикач швидкості	6	Кришка акумуляторного відсіку
7	Ручка	8	Тримач вала
9	Вал	10	Змішувальний диск

Модель UT002G

► Рис.2




1	Курок вмикача	2	Кнопка блокування у вимкненому положенні
3	Кнопка блокування	4	Регулятор частоти обертання
5	Перемикач швидкості	6	Кришка акумуляторного відсіку
7	Ручка	8	Патрон

ПІДГОТОВКА ДО ЕКСПЛУАТАЦІЇ

Відображення залишкового заряду акумулятора

Натисніть кнопку перевірки на касеті з акумулятором для відображення залишкового ресурсу акумулятора. Індикаторні лампи загоряться на кілька секунд.

► Рис.3: 1. Індикаторні лампи 2. Кнопка перевірки

Індикаторні лампи			Залишковий ресурс
			
■	□	▧	від 75 до 100%
■	■	□	від 50 до 75%
■	□	□	від 25 до 50%
■	□	□	від 0 до 25%
▧	□	□	Зарядіть акумулятор.
■	■	□	Можливо, акумулятор вийшов з ладу.
□	□	■	

ПРИМІТКА: Залежно від умов використання та температури оточуючого середовища показання можуть незначним чином відрізнятися від дійсного ресурсу.

ПРИМІТКА: Перша (дальня ліва) індикаторна лампа блимає під час роботи захисної системи акумулятора.

Що потрібно знати перед експлуатацією

Під час роботи або перенесення інструмента тримайте його за ручку.

► Рис.4

⚠ОБЕРЕЖНО: Не тримайтеся за металеві частини. Об гострі краї можна травмуватися.

Система захисту інструмента/акумулятора

Інструмент оснащено системою захисту інструмента/акумулятора. Ця система автоматично вимикає живлення двигуна з метою збільшення терміну служби інструмента та акумулятора. Інструмент автоматично зупиняється під час роботи, якщо інструмент або акумулятор перебувають у зазначених нижче умовах.

Захист від перевантаження

Якщо під час використання інструмента/акумулятора споживається забагато струму, інструмент автоматично зупиняється. У такому випадку вимкніть інструмент і припиніть роботу, під час виконання якої сталося перевантаження інструмента. Щоб перезапустити інструмент, увімкніть його знову.

Захист від перегрівання

Коли інструмент/акумулятор перегріється, інструмент зупиниться автоматично. У такому разі дозвольте інструменту/акумулятору охолонути, перш ніж знову увімкнути інструмент.

Захист від надмірного розрядження

Коли заряд акумулятора стає замалим, інструмент автоматично зупиняється. Якщо інструмент не працює, навіть коли задіяні вмикачі, необхідно витягнути з інструмента акумулятори та зарядити їх.

ЕКСПЛУАТАЦІЯ

⚠ОБЕРЕЖНО: Обов'язково переконайтеся, що прилад вимкнено, а касету з акумулятором знято, перш ніж проводити будь-які роботи з інструментом.

УВАГА: Коли машина не використовується, кладіть її на землю.

► Рис.5

Складання

Установлення вала

Додаткове обладнання

Для UT001G

1. Затягніть вал у тримачі вала.

► Рис.6: 1. Вал 2. Тримач вала

2. Зафіксуйте фаски на тримачі вала гайковим ключем на 19, щоб запобігти обертанню тримача вала. Зафіксувавши таким чином фаски, затягніть шестигранну гайку іншим гайковим ключем на 19 у зазначеному стрілкою напрямку.

► Рис.7: 1. Вал 2. Тримач вала

Для UT002G

1. Вставте вал у патрон до упору.

► Рис.8: 1. Вал 2. Патрон

2. Затягніть патрон уручну, потім вставте ключ патрона в кожні з трьох отворів і затягніть патрон, повертаючи ключ за годинниковою стрілкою. Стежте за тим, аби рівномірно затягнути ключ патрона в кожному із цих трьох отворів.

► Рис.9: 1. Ключ патрона 2. Патрон

3. Щоб зняти вал, поверніть ключ патрона проти годинникової стрілки в одному з отворів, а потім відкрутіть патрон уручну.

4. Коли ключ патрона не використовується, зберігайте його, як показано на рисунку, щоб він не загубився.

► Рис.10: 1. Ключ патрона

Установлення змішувального диска

Додаткове обладнання

Установіть змішувальний диск на вал і зафіксуйте його за допомогою болта із шестигранною головкою. На цьому етапі розташуйте його таким чином, щоб верхній кінець болта із шестигранною головкою прилягав до поверхні плоскої ділянки на валу, і затягніть болт із шестигранною головкою гайковим ключем із комплекту поставки.

► Рис.11: 1. Болт із шестигранною головкою 2. Вал 3. Пласка ділянка 4. Змішувальний диск

Під час установлення змішувальних дисків у двох різних положеннях установіть і зафіксуйте два змішувальні диски на плоскій частині вала болтами із шестигранними головками таким чином, щоб однакові поверхні дисків було розташовано одна навпроти іншої, як показано на рисунку.

► Рис.12: 1. Болт із шестигранною головкою 2. Вал 3. Пласка ділянка 4. Змішувальний диск

ПРИМІТКА: Інформацію про те, які змішувальні диски можна використовувати, можна дізнатися в місцевому сервісному центрі Makita.

Встановлення та зняття касети з акумулятором

⚠ОБЕРЕЖНО: Вимикайте інструмент перед встановленням або зняттям касети з акумулятором.

⚠ОБЕРЕЖНО: Під час встановлення або зняття касети з акумулятором слід міцно тримати інструмент та касету з акумулятором. Якщо ви утримуватимете інструмент та касету з акумулятором недостатньо міцно, вони можуть вислизнути з рук, що може призвести до пошкодження інструмента та касети з акумулятором або може спричинити травми.

⚠ОБЕРЕЖНО: Не використовуйте інструмент з адаптером акумулятора. У разі підключення до інструмента адаптера акумулятора кришку акумуляторного відсіку неможливо буде закрити, а використання інструмента з відкритою кришкою може призвести до травм.

⚠ОБЕРЕЖНО: Не затисніть пальці, коли відкриваєте або закриваєте кришку акумуляторного відсіку.

УВАГА: Установіть кришку акумуляторного відсіку, яка відповідає розміру акумулятора.

Відкрийте кришку акумуляторного відсіку, натиснувши й утримуючи кнопку на кришці.

► **Рис.13:** 1. Кнопка 2. Кришка акумуляторного відсіку

Щоб зняти касету з акумулятором, слід витягнути її з інструмента, натиснувши на кнопку в передній частині касети.

► **Рис.14:** 1. Червоний індикатор 2. Кнопка 3. Касета з акумулятором

Щоб установити касету з акумулятором, слід сумістити виступ на касеті з акумулятором із пазом у корпусі й вставити касету на місце. Вставляйте її до кінця, щоб вона зафіксувалася з легким клацанням. Якщо ви бачите червоний індикатор, як показано на рисунку, її не зафіксовано повністю.

Після встановлення касети з акумулятором закрийте й зафіксуйте кришку акумуляторного відсіку.

⚠ОБЕРЕЖНО: Завжди вставляйте касету з акумулятором повністю, щоб червоний індикатора не було видно. Якщо цього не зробити, касета може випадково випасти з інструмента та завдати травми вам або людям, що знаходяться поряд.

⚠ОБЕРЕЖНО: Не встановлюйте касету з акумулятором із зусиллям. Якщо касета не вставляється легко, то це означає, що ви її неправильно вставляєте.

Дія вимикача

⚠ПОПЕРЕДЖЕННЯ: Перш ніж вставляти касету з акумулятором в інструмент, слід завжди перевіряти роботу курка вимикача: він має повертатися в положення OFF (ВИМК.), якщо його до кінця натиснути й відпустити.

⚠ПОПЕРЕДЖЕННЯ: ЗАБОРОНЕНО обмежувати роботу кнопки блокування у вимкненому положенні шляхом її затискання за допомогою стрічки або будь-яким іншим чином. Використання вимикача з несправною кнопкою блокування у вимкненому положенні може призвести до ненавмисного ввімкнення й тяжких травм.

⚠ПОПЕРЕДЖЕННЯ: ЗАБОРОНЕНО користуватися інструментом, якщо він умикається простим натисканням курка вимикача без натискання кнопки блокування у вимкненому положенні. Використання вимикача, який потребує ремонту, може спричинити ненавмисне ввімкнення й тяжкі травми. ПЕРЕД подальшим використанням інструмент слід передати до сервісного центру Makita для ремонту.

⚠ПОПЕРЕДЖЕННЯ: Не встановлюйте касету з акумулятором із натиснутою кнопкою блокування.

Для запобігання випадковому натисканню курка вимикача передбачено кнопку блокування у вимкненому положенні. Щоб увімкнути інструмент, відпустіть кнопку блокування у вимкненому положенні й натисніть на курок вимикача.

Для підвищення робочої частоти обертання інструмента натисніть курок вимикача сильніше. Відпустіть курок вимикача, щоб зупинити інструмент.

Для безперервної роботи натисніть кнопку блокування й курок вимикача, а потім відпустіть курок вимикача. Щоб зупинити інструмент, натисніть до кінця курок вимикача, а потім відпустіть його.

► **Рис.15:** 1. Курок вимикача 2. Кнопка блокування у вимкненому положенні 3. Кнопка блокування

Застосування перемикача швидкості

УВАГА: Використовуйте перемикач швидкості тільки після повної зупинки інструмента. Зміна швидкості до повної зупинки інструмента може привести до його пошкодження.

УВАГА: Завжди точно встановлюйте перемикач швидкості в правильне положення. Якщо під час роботи з інструментом перемикач швидкості знаходиться в проміжному положенні між 1 і 2, це може привести до пошкодження інструмента.

УВАГА: У разі значного зниження частоти обертання в режимі високої швидкості зупиніть інструмент і перемикач його в режим низької швидкості. Недотримання цієї вимоги може призвести до перевантаження двигуна й призвести до несправності чи пожежі.

За допомогою перемикача швидкості можна попередньо вибрати два діапазони швидкості.

Для кожного матеріалу, який потрібно перемішати, вибирайте належний режим швидкості.

Для зміни режиму швидкості поверніть перемикач швидкості, сумістивши покажчик із точкою в положенні 1 для вибору режиму низької швидкості обертання або з точкою в положенні 2 для вибору режиму високої швидкості.

► **Рис.16:** 1. Покажчик 2. Перемикач швидкості 3. Точка

Застосування регулятора частоти обертання

Швидкість роботи інструмента можна плавно регулювати за допомогою регулятора частоти обертання. Якщо натиснути курок вмикача до кінця, частоту обертання в режимі холостого ходу можна регулювати в діапазоні від 270 хв^{-1} до 500 хв^{-1} в режимі низької швидкості та від 500 хв^{-1} до 920 хв^{-1} в режимі високої швидкості. Вищу швидкість можна налаштувати, повернувши регулятор у напрямку цифри 5; нижчу – повернувши його в бік цифри 1. Для кожного матеріалу, який потрібно перемішати, вибирайте належну швидкість.

► **Рис.17:** 1. Регулятор частоти обертання

УВАГА: Регулятор частоти обертання можна повертати тільки до цифри 5 і назад до 1. Не намагайтеся силоміць повертати його поза цифру 5 або цифру 1.

Функція запобігання раптовому перезапуску

У разі встановлення касети з акумулятором із натиснутим чи заблокованим курком вмикача інструмент не запускається. Щоб запустити інструмент, відпустіть і знову натисніть курок вмикача.

Електронні функції

Для полегшення роботи інструмент оснащено електронною функцією, описаною нижче.

Плавний запуск

Функція плавного запуску мінімізує ривок під час запуску й забезпечує плавний запуск інструмента.

Базові операції

▲ОБЕРЕЖНО: Не змішуйте горючі матеріали й не використовуйте інструмент поблизу горючих матеріалів, зокрема фарби з розчинником. Невиконання цієї умови може призвести до травмування.

▲ОБЕРЕЖНО: Не змішуйте дуже в'язкі матеріали в режимі високої швидкості. Це може призвести до втрати контролю над інструментом і травмування.

▲ОБЕРЕЖНО: Уникайте обертання змішувального диска поза посудиною для змішування.

▲ОБЕРЕЖНО: Якщо під час використання ви почуєте незвичайний шум, вимкніть вмикач і припиніть використовувати інструмент.

УВАГА: Якщо в процесі змішування змішувальний диск виходить зі змішувального матеріалу, стежте, аби не розбризкувати матеріал.

УВАГА: Не використовуйте інструмент для будь-яких інших цілей, окрім змішування розчину, бетону тощо.

1. Залежно від змішувального матеріалу вибирайте режим високої або низької швидкості.
2. Міцно тримайте інструмент обома руками. Повністю опустіть змішувальний диск у матеріал. Переконайтеся, що матеріал не затвердів і що знаходиться на робочому місці безпечно, після чого ввімкніть інструмент.
3. У процесі змішування посувайте змішувальний диск угору-вниз, аби забезпечити змішування всього об'єму матеріалу.
4. Після завершення змішування вимкніть інструмент. Дочекайтеся повної зупинки змішувального диска й лише після цього витягуйте його з посудини для змішування.

Прикладні операції

▲ОБЕРЕЖНО: Обов'язково переконайтеся, що прилад вимкнено, а касету з акумулятором знято, перед регулюванням або перевіркою функціонування інструмента.

Заміна кришки акумуляторного відсіку

Додаткове обладнання

Установіть одну з кришок акумуляторного відсіку залежно від розміру касети з акумулятором.

- **Рис.18:**
1. Кришка акумуляторного відсіку S
 2. Кришка акумуляторного відсіку L
 3. Кнопка

1. Відкрийте стандартну кришку акумуляторного відсіку, натиснувши й утримуючи кнопку на кришці.
 2. Вкрутіть гвинт, що кріпить стандартну кришку акумуляторного відсіку. Потім вийміть гвинт, втулку та кришку акумуляторного відсіку.
- **Рис.19:** 1. Гвинт 2. Втулка 3. Кришка акумуляторного відсіку (стандартна)

ПРИМІТКА: Втулка може залишитися в монтажних отворах. У такому разі витягніть її за допомогою гвинта або чогось подібного.

3. Вирівняйте монтажний отвір додаткової кришки акумуляторного відсіку з монтажними отворами корпусу. Вставте втулку. Потім затягніть гвинти, щоб зафіксувати її на місці.
- **Рис.20:** 1. Гвинт 2. Втулка 3. Кришка акумуляторного відсіку (додаткова)
4. Щільно закрийте кришку акумуляторного відсіку.

Установлення й зняття тримача вала

залежно від країни

Для UT001G

Установіть один із додатково доступних тримачів вала відповідно до розміру гвинта вала.

- **Рис.21:** 1. Тримач вала M12 2. Тримач вала M14

Утримуючи шпindel гайковим ключем, відкрутіть тримач вала іншим гайковим ключем.

- **Рис.22:** 1. Тримач вала 2. Гайковий ключ 3. Шпindel

Щоб установити тримач вала, виконайте процедуру зняття у зворотному порядку.

Для UT002G

1. Вставте шестигранний ключ у патрон і відкрутіть патрон шестигранним ключем, утримуючи шпindel гайковим ключем.

► **Рис.23:** 1. Шестигранний ключ 2. Патрон
3. Гайковий ключ 4. Шпindel

2. Затягніть тримач вала гайковим ключем, утримуючи шпindel іншим ключем.

► **Рис.24:** 1. Тримач вала 2. Гайковий ключ
3. Шпindel

Очищення після використання

Після використання ретельно протріть інструмент вологою ганчіркою або чимось подібним. Особливо ретельно слід очищувати вентиляційні отвори, зону перемикача, отвори кожуха тощо.

УВАГА: Не мийте інструмент водою. Якщо вода потрапить у корпус двигуна, це призведе до пошкодження двигуна.

ТЕХНІЧНЕ ОБСЛУГОВУВАННЯ

⚠ОБЕРЕЖНО: Перед здійсненням перевірки або обслуговування завжди перевіряйте, щоб інструмент був вимкнений, а касета з акумулятором була знята.

УВАГА: Ніколи не використовуйте газолін, бензин, розріджувач, спирт та подібні речовини. Їх використання може призвести до зміни кольору, деформації або появи тріщин.

Для забезпечення БЕЗПЕКИ й НАДІЙНОСТІ продукції її ремонт, а також роботи з обслуговування або регулювання мають виконуватись уповноваженими або заводськими сервісними центрами Makita з використанням запчастин виробництва компанії Makita.

Усунення несправностей

Перш ніж здавати прилад до ремонту, слід перевірити такі моменти.

1. Вимкніть і знову ввімкніть інструмент, щоб перезапустити його.
2. Зарядіть акумулятор(-и) або замініть його(їх) зарядженим(-и).
3. Дайте інструменту й акумулятору(-ам) охолонути.

Якщо після відновлення вихідного стану системи захисту ситуація не зміниться, зверніться до місцевого сервісного центру Makita.

ДОДАТКОВЕ ПРИЛАДДЯ

⚠ОБЕРЕЖНО: Це додаткове та допоміжне обладнання рекомендовано використовувати з інструментом Makita, зазначеним у цій інструкції з експлуатації. Використання будь-якого іншого додаткового та допоміжного обладнання може становити небезпеку травмування. Використовуйте додаткове та допоміжне обладнання лише за призначенням.

У разі необхідності отримати допомогу в більш детальному ознайомленні з оснащенням звертайтеся до місцевого сервісного центру Makita.

- Змішувальний диск
- Вал
- Кришка акумуляторного відсіку
- Оригінальний акумулятор та зарядний пристрій Makita

ПРИМІТКА: Деякі елементи списку можуть входити до комплекту інструмента як стандартне приладдя. Вони можуть відрізнятися залежно від країни.

SPECIFICAȚII

Model:		UT001G	UT002G
Turație în gol	Mod de viteză ridicată	0 - 920 min ⁻¹	
	Mod de viteză redusă	0 - 500 min ⁻¹	
Diametrul maxim al pânzei pentru mixare		240 mm	
Lungime totală (fără ax și pânză pentru mixare)	cu capacul acumulatorului S	373 mm	363 mm
	cu capacul acumulatorului L	412 mm	403 mm
Tensiune nominală		Max. 36 V - 40 V cc.	
Greutate netă		5,7 - 7,0 kg	5,8 - 7,2 kg

- Datorită programului nostru continuu de cercetare și dezvoltare, specificațiile pot fi modificate fără o notificare prealabilă.
- Specificațiile și cartușul acumulatorului pot diferi de la țară la țară.
- Greutatea poate diferi în funcție de accesoriu(ii), inclusiv cartușul acumulatorului. În tabel se prezintă combinația cea mai ușoară și cea mai grea, conform Procedurii EPTA 01/2014.

Cartușul acumulatorului și încărcătorul aplicabile

Cartușul acumulatorului	BL4020 / BL4025 / BL4040* / BL4050F* / BL4080F* * : Acumulator recomandat
Încărcător	DC40RA / DC40RB / DC40RC

- Este posibil ca unele cartușe ale acumulatorilor și încărcătoare menționate mai sus să nu fie disponibile în funcție de regiunea dvs. de reședință.

⚠️ AVERTIZARE: Utilizați numai cartușele de acumulator și încărcătoarele enumerate mai sus. Utilizarea oricărui altor cartușe de acumulator și încărcătoare poate duce la rănire și/sau incendiu.

Simboluri

Mai jos sunt prezentate simbolurile care pot fi utilizate pentru echipament. Asigurați-vă că înțelegeți sensul acestora înainte de utilizare.



Citiți manualul de utilizare.



Nu folosiți mașina pe timp de ploaie.



Nu curățați mașina cu apă.



Doar pentru țările din cadrul UE
Din cauza prezenței componentelor periculoase în echipament, deșeurile de echipamente electrice și electronice, acumulatorii și bateriile pot avea un efect negativ asupra mediului și sănătății umane.

Nu eliminați aparatele electrice și electronice sau bateriile împreună cu gunoierul menajer! În conformitate cu Directiva europeană privind deșeurile de echipamente electrice și electronice, acumulatorii, bateriile și deșeurile de acumulatori și baterii, precum și cu adaptarea sa în legislația națională, deșeurile de echipamente electrice, de baterii și de acumulatori trebuie depozitate separat și eliminate la un centru de colectare separat pentru deșeurile municipale, care respectă reglementările privind protecția mediului. Acest lucru este indicat prin simbolul care reprezintă o pubeză cu roți barată cu o cruce, aplicat pe echipament.

Destinația de utilizare

Mașina este destinată mixării materialelor pentru pereți etc. (cu excepția materialelor inflamabile).

Zgomot

Nivelul de zgomot normal ponderat A determinat în conformitate cu EN62841-2-10:

Model UT001G

Nivel de presiune acustică (L_{pA}): 81 dB(A)

Nivel de putere acustică (L_{WA}): 92 dB (A)

Marjă de eroare (K): 3 dB(A)

Model UT002G

Nivel de presiune acustică (L_{pA}): 81 dB(A)

Nivel de putere acustică (L_{WA}): 92 dB (A)

Marjă de eroare (K): 3 dB(A)

NOTĂ: Valoarea (valorile) totală(e) a (ale) emisiilor de zgomot declarate a(u) fost măsurată(e) în conformitate cu o metodă de test standard și poate (pot) fi utilizată(e) pentru compararea unei unelte cu alta.

NOTĂ: Valoarea (valorile) totală(e) a (ale) emisiilor de zgomot declarate poate (pot) fi, de asemenea, utilizată(e) într-o evaluare preliminară a expunerii.

⚠️ AVERTIZARE: Purtați echipament de protecție pentru urechi.

⚠️ AVERTIZARE: Emisiile de zgomot în timpul utilizării efective a unelei electrice poate diferi de valoarea (valorile) nivelului declarat, în funcție de modul în care unealta este utilizată, în special ce fel de piesă este prelucrată.

⚠️ AVERTIZARE: Asigurați-vă că identificați măsurile de siguranță pentru a proteja operatorul, acestea fiind bazate pe o estimare a expunerii în condiții reale de utilizare (luând în considerare toate părțile ciclului de operare, precum timpii în care unealta a fost oprită, sau a funcționat în gol, pe lângă timpul de declanșare).

Vibrații

Valoarea totală a vibrațiilor (suma vectorilor tri-axiali) determinată conform EN62841-2-10:

Model UT001G

Mod de lucru: funcționare fără sarcină

Emisie de vibrații (a_h): 2,5 m/s² sau mai puțin

Marjă de eroare (K): 1,5 m/s²

Model UT002G

Mod de lucru: funcționare fără sarcină

Emisie de vibrații (a_h): 2,5 m/s² sau mai puțin

Marjă de eroare (K): 1,5 m/s²

NOTĂ: Valoarea (valorile) totală(e) a (ale) nivelului de vibrații declarat a (au) fost măsurată(e) în conformitate cu o metodă de test standard și poate (pot) fi utilizată(e) pentru compararea unei unele cu alta.

NOTĂ: Valoarea (valorile) totală(e) a (ale) nivelului de vibrații declarat poate (pot) fi, de asemenea, utilizată(e) într-o evaluare preliminară a expunerii.

⚠️ AVERTIZARE: Nivelul de vibrații în timpul utilizării efective a unelei electrice poate diferi de valoarea (valorile) nivelului declarat, în funcție de modul în care unealta este utilizată, în special ce fel de piesă este prelucrată.

⚠️ AVERTIZARE: Asigurați-vă că identificați măsurile de siguranță pentru a proteja operatorul, acestea fiind bazate pe o estimare a expunerii în condiții reale de utilizare (luând în considerare toate părțile ciclului de operare, precum timpii în care unealta a fost oprită, sau a funcționat în gol, pe lângă timpul de declanșare).

Declarație de conformitate CE

Numai pentru țările europene

Declarația de conformitate CE este inclusă ca Anexa A în acest manual de instrucțiuni.

AVERTIZĂRI DE SIGURANȚĂ

Avertismente generale de siguranță pentru mașinile electrice

⚠️ AVERTIZARE: Citiți toate avertismentele privind siguranța, instrucțiunile, ilustrațiile și specificațiile furnizate cu această sculă electrică. Nerespectarea integrală a instrucțiunilor de mai jos poate cauza electrocutări, incendii și/sau vătămări corporale grave.

Păstrați toate avertismentele și instrucțiunile pentru consultări ulterioare.

Termenul „mașină electrică” din avertizări se referă la mașinile dumneavoastră electrice acționate de la rețea (prin cablu) sau cu acumulator (fără cablu).

Avertizări privind siguranța pentru mixerul cu acumulator

1. **Țineți mașina de mână cu ambele mâini.** Pierderea controlului poate produce vătămări corporale.
2. **Asigurați o ventilație suficientă atunci când mixați materiale inflamabile, pentru a evita o atmosferă periculoasă.** Vaporii produși pot fi inhalați sau se pot aprinde de la scânteele produse de mașina electrică.
3. **Nu mixați produse alimentare.** Mașinile electrice și accesoriile acestora nu sunt destinate prelucrării produselor alimentare.
4. **Asigurați-vă că recipientul pentru mixare este așezat într-o poziție fixă și sigură.** Un recipient care nu este fixat corespunzător se poate deplasa accidental.
5. **Respectați instrucțiunile și avertizările aferente materialului care va fi mixat.** Materialul care va fi mixat poate fi dăunător.
6. **Nu introduceți mâinile în recipientul pentru mixare sau niciun alt obiect în recipient în timpul mixării.** Contactul cu pâza mixerului poate produce vătămări corporale.
7. **Porniți și utilizați mașina numai în recipientul pentru mixare.** Pânza mixerului se poate îndoi sau roti în mod necontrolat.
8. **Asigurați-vă că lichidul nu stropește carcasa mașinii electrice.** Lichidul care a pătruns în mașina electrică poate produce deteriorarea mașinii.
9. **Utilizați mânerul auxiliar dacă sunt livrate cu mașina.** Pierderea controlului poate produce vătămări corporale.
10. **Țineți mașina electrică de suprafețele de prindere izolate atunci când efectuați o operațiune în care accesoriul de tăiere poate intra în contact cu fire ascuse.** Accesoriul de tăiere care intră în contact cu un fir aflat sub tensiune poate pune sub tensiune componentele metalice neizolate ale mașinii electrice și poate supune operatorul la șoc electric.

11. **Păstrați-vă întotdeauna echilibrul. Asigurați-vă că nu se află nicio persoană dedesubt atunci când folosiți mașina la înălțime.**
12. **Țineți bine mașina.**
13. **Nu atingeți piesele în mișcare.**
14. **Nu lăsați mașina în funcțiune. Utilizați mașina numai când o țineți cu mâinile.**
15. **Unele materiale conțin substanțe chimice care pot fi toxice. Aveți grijă să nu inhalați praful și evitați contactul cu pielea. Urmați avertizările privind siguranța transmise de furnizorul materialului.**
16. **Atunci când efectuați operația de mixare, așezați recipientul pentru mixare pe o suprafață plană și stabilă.**
8. **Nu introduceți cuie în cartușul acumulatorului, nu îl tăiați, striviți, aruncați sau scăpați și nu îl loviți cu un obiect dur.** Astfel de acțiuni pot provoca incendii, căldură excesivă sau explozii.
9. **Nu utilizați un acumulator deteriorat.**
10. **Acumulatorii Li-Ion încorporați se supun cerințelor Legislației privind substanțele periculoase.**
Pentru transporturi comerciale, efectuate de exemplu de către părți terțe, expeditori, trebuie respectate cerințele speciale de ambalare și etichetare.
Pentru pregătirea articolului care urmează să fie expedit, este necesară consultarea unui expert în materiale periculoase. Vă rugăm să respectați, de asemenea, reglementările naționale, care pot fi mai detaliate.
Izolați sau acoperiți contactele deschise și împachetați acumulatorul în așa fel încât să nu se poată mișca în ambalaj.

PĂSTRAȚI ACESTE INSTRUCȚIUNI.

⚠️AVERTIZARE: NU permiteți comodității și familiarizării cu produsul (obținute prin utilizare repetată) să înlocuiască respectarea strictă a normelor de securitate pentru acest produs. **FOLOSIREA INCORECTĂ** sau nerespectarea normelor de securitate din acest manual de instrucțiuni poate provoca vătămări corporale grave.

Instrucțiuni importante privind siguranța pentru cartușul acumulatorului

1. **Înainte de a folosi cartușul acumulatorului, citiți toate instrucțiunile și atenționările de pe (1) încărcătorul acumulatorului, (2) acumulator și (3) produsul care folosește acumulatorul.**
2. **Nu dezambalați și nu interveniți asupra cartușului acumulatorului.** Acest lucru poate cauza incendii, căldură excesivă sau explozii.
3. **Dacă timpul de funcționare s-a redus excesiv, întrerupeți imediat funcționarea.** Aceasta poate prezenta risc de supraîncălzire, posibile arsuri și chiar explozie.
4. **Dacă electrolitul pătrunde în ochi, clătiți bine ochii cu apă curată și consultați imediat un medic.** Există risc de orbire.
5. **Nu scurtcircuitați cartușul acumulatorului:**
 - (1) Nu atingeți bornele cu niciun material conductor.
 - (2) Evitați depozitarea cartușului acumulatorului la un loc cu alte obiecte metalice cum ar fi cuie, monede etc.
 - (3) Nu expuneți cartușul acumulatorului la apă sau ploaie.

Un scurtcircuit al acumulatorului poate provoca un flux puternic de curent electric, supraîncălzire, posibile arsuri și chiar defectarea mașinii.
6. **Nu depozitați și nu utilizați mașina și cartușul acumulatorului în locuri în care temperatura poate atinge sau depăși 50 °C (122 °F).**
7. **Nu incinerati cartușul acumulatorului chiar dacă acesta este grav deteriorat sau complet uzat.** Cartușul acumulatorului poate exploda în foc.
11. **Atunci când eliminați la deșeurile cartușul acumulatorului, scoateți-l din mașină și eliminați-l într-un loc sigur. Respectați normele naționale privind eliminarea la deșeurile a acumulatorului.**
12. **Utilizați acumulatoroarele numai cu produsele specificate de Makita.** Instalarea acumulatorilor în produse neconforme poate cauza incendii, căldură excesivă, explozii sau scurgeri de electrolit.
13. **Dacă mașina nu este utilizată o perioadă lungă de timp, acumulatorul trebuie scos din acesta.**
14. **În timpul utilizării și după aceea, cartușul acumulatorului se poate încălzi, ceea ce poate cauza arsuri sau arsuri la temperaturi scăzute.** Fiți atenți la manipularea cartușelor de acumulator atunci când sunt fierbinți.
15. **Nu atingeți borna mașinii imediat după utilizare, întrucât se poate încălzi foarte tare și poate provoca arsuri.**
16. **Nu lăsați să pătrundă așchii, praf sau pământ în borne, în orificii și în canelurile cartușului acumulatorului.** Acest lucru poate provoca încălzirea, aprinderea, explozia și defectarea mașinii sau a cartușului acumulatorului, cauzând arsuri sau vătămări corporale.
17. **Nu utilizați cartușul acumulatorului în apropierea liniilor electrice de înaltă tensiune, cu excepția cazului în care mașina suportă utilizarea în apropierea liniilor electrice de înaltă tensiune.** Acest lucru poate duce la funcționarea necorespunzătoare sau la defectarea mașinii sau a cartușului acumulatorului.
18. **Țineți acumulatorul la distanță de copii.**

PĂSTRAȚI ACESTE INSTRUCȚIUNI.

⚠️ATENȚIE: Folosiți numai acumulatori Makita originali. Acumulatorii Makita care nu sunt originali și acumulatorii care au suferit modificări se pot aprinde, provocând incendii, leziuni corporale și daune. De asemenea, anulează garanția oferită de Makita pentru unele și încărcătorul Makita.

Sfaturi pentru obținerea unei durate maxime de exploatare a acumulatorului

1. Încărcați cartușul acumulatorului înainte de a se descărca complet. Întrerupeți întotdeauna funcționarea mașinii și încărcați cartușul acumulatorului când observați o scădere a puterii mașinii.
2. Nu reîncărcați niciodată un acumulator complet încărcat. Supraîncărcarea va scurta durata de exploatare a acumulatorului.
3. Încărcați cartușul acumulatorului la temperatura camerei, între 10 °C - 40 °C (50 °F - 104 °F). Lăsați un acumulator fierbinte să se răcească înainte de a-l încărca.
4. Atunci când nu utilizați cartușul acumulatorului, scoateți-l din mașină sau din încărcător.
5. Încărcați cartușul acumulatorului în cazul în care nu a fost utilizat pe o perioadă mai lungă (mai mult de șase luni).

DESCRIERE COMPONENTE

Model UT001G

► Fig.1

1	Buton declanșator	2	Buton de deblocare
3	Buton de blocare	4	Disc rotativ pentru reglarea vitezei
5	Buton de schimbare a vitezei	6	Capacul acumulatorului
7	Mâner	8	Suportul axului
9	Ax	10	Pânză pentru mixare

Model UT002G

► Fig.2

1	Buton declanșator	2	Buton de deblocare
3	Buton de blocare	4	Disc rotativ pentru reglarea vitezei
5	Buton de schimbare a vitezei	6	Capacul acumulatorului
7	Mâner	8	Mandrină

PREGĂTIRE ÎNAINTE DE UTILIZARE

Indicarea capacității rămase a acumulatorului

Apăsăți butonul de verificare de pe cartușul acumulatorului, astfel încât să se indice capacitățile rămase ale acumulatorului. Lămpile indicatorului vor lumina timp de câteva secunde.

► Fig.3: 1. Lămpi indicatoare 2. Buton de verificare

Lămpi indicatoare			Capacitate rămasă
Iluminat	Oprit	Iluminare intermitentă	
■ ■ ■ ■			Între 75% și 100%
■ ■ ■ □			Între 50% și 75%
■ ■ □ □			Între 25% și 50%
■ □ □ □			Între 0% și 25%
▣ □ □ □			Încărcați acumulatorul.
■ □ □ □	↑ ↓	■ □ □ □	Este posibil ca acumulatorul să fie defect.

NOTĂ: În funcție de condițiile de utilizare și temperatura ambientală, indicația poate fi ușor diferită de capacitatea reală.

NOTĂ: Prima lampă indicatoare (extremitatea stângă) va lumina intermitent când sistemul de protecție a acumulatorului funcționează.

Lucruri pe care trebuie să le știți înainte de utilizare

Țineți de mâner când utilizați sau transportați mașina.

► Fig.4

⚠ATENȚIE: Nu țineți de partea metalică a foii. Zonele ascuțite pot duce la rănire.

Sistem de protecție mașină/acumulator

Mașina este prevăzută cu un sistem de protecție mașină/acumulator. Acest sistem întrerupe automat alimentarea motorului pentru a extinde durata de funcționare a mașinii și acumulatorului. Mașina se va opri automat în timpul funcționării dacă mașina sau acumulatorul se află într-una din situațiile următoare:

Protecție la suprasarcină

Când mașina/acumulatorul este utilizată/utilizat într-un mod care duce la un consum de curent anormal de ridicat, mașina se va opri automat. În această situație, opriiți mașina și întrerupeți aplicația care a dus la supra-solicitarea mașinii. Apoi, reporniți mașina.

Protecție la supraîncălzire

Când mașina/acumulatorul se supraîncălzeste, mașina se oprește automat. În această situație, lăsați mașina/acumulatorul să se răcească înainte de a reporni mașina.

Protecție la supradescărcare

Când capacitatea acumulatorului scade, mașina se oprește automat. Dacă produsul nu funcționează deși întrerupătoarele sunt acționate, scoateți acumulatorii din mașină și încărcați-i.

MOD DE UTILIZARE

⚠️ ATENȚIE: Asigurați-vă întotdeauna că mașina este oprită și cartușul acumulatorului este scos înainte de a executa orice lucrări la mașină.

NOTĂ: Când nu lucrați, puneți mașina jos și depozitați-o.

► Fig.5

Asamblare

Montarea axului

Accesoriu opțional

Pentru UT001G

1. Strângeți axul în suportul său.

► Fig.6: 1. Ax 2. Suportul axului

2. Țineți părțile plate de pe suportul axului cu cheia de 19 astfel încât suportul axului să nu se rotească. În timp ce țineți părțile plate, strângeți piulița hexagonală în direcția săgeții cu o altă cheie de 19.

► Fig.7: 1. Ax 2. Suportul axului

Pentru UT002G

1. Introduceți axul în mandrină până când se oprește.

► Fig.8: 1. Ax 2. Mandrină

2. Strângeți mandrina cu mâna, apoi așezați cheia pentru mandrină în fiecare dintre cele trei orificii și strângeți spre dreapta. Asigurați-vă că strângeți cheia pentru mandrină uniform în toate cele trei orificii.

► Fig.9: 1. Cheie pentru mandrină 2. Mandrină

3. Pentru a demonta axul, răsuciți cheia pentru mandrină spre stânga într-unul dintre orificii, apoi slăbiți mandrina manual.

4. Atunci când nu este utilizată, depozitați cheia pentru mandrină astfel cum se arată în figură, pentru a nu se pierde.

► Fig.10: 1. Cheie pentru mandrină

Montarea pânzei pentru mixare

Accesoriu opțional

Introduceți pânza pentru mixare în ax și fixați-o cu un șurub cu cap hexagonal. În acest moment, poziționați-o astfel încât capătul superior al șurubului cu cap hexagonal să se potrivească întotdeauna pe suprafața plană de pe ax și strângeți șurubul cu cap hexagonal cu cheia furnizată.

► Fig.11: 1. Șurub cu cap hexagonal 2. Ax
3. Suprafață plană 4. Pânză pentru mixare

Atunci când instalați pânzele pentru mixare în două poziții diferite, montați și fixați cele două pânze pentru mixare pe suprafața plană a axului cu șuruburile cu cap hexagonal, astfel încât aceeași suprafață a pânzelor pentru mixare să fie orientate una spre cealaltă, după cum se arată în figură.

► Fig.12: 1. Șurub cu cap hexagonal 2. Ax
3. Suprafață plană 4. Pânză pentru mixare

NOTĂ: Adresați-vă centrului local de service Makita pentru a întreba care sunt pânzele pentru mixare permise.

Instalarea sau scoaterea cartușului acumulatorului

⚠️ ATENȚIE: Opriiți întotdeauna mașina înainte de instalarea sau scoaterea cartușului acumulatorului.

⚠️ ATENȚIE: Țineți ferm mașina și cartușul acumulatorului la montarea sau demontarea cartușului. În cazul în care nu țineți ferm mașina și cartușul de acumulator, acestea vă pot aluneca din mâini, rezultând defectarea mașinii și cartușului de acumulator, precum și în accidentări personale.

⚠️ ATENȚIE: Nu utilizați mașina cu adaptorul acumulatorului. Capacul acumulatorului nu se poate închide atunci când conectați adaptorul acumulatorului la mașină, iar utilizarea mașinii cu capacul deschis poate produce vătămări corporale.

⚠️ ATENȚIE: Acordați atenție pentru a nu vă prinde degetele la deschiderea și închiderea capacului acumulatorului.

NOTĂ: Instalați un capac pentru acumulator care se potrivește cu dimensiunea acumulatorului.

Deschideți capacul acumulatorului apăsând pe butonul de pe capac.

► Fig.13: 1. Buton 2. Capacul acumulatorului

Pentru a scoate cartușul acumulatorului, glisați-l din mașină în timp ce glisați butonul de pe partea frontală a cartușului.

► Fig.14: 1. Indicator roșu 2. Buton 3. Cartușul acumulatorului

Pentru a monta cartușul acumulatorului, aliniați limba de pe cartușul acumulatorului cu canelura din carcasă și introduceți-l în locaș. Introduceți-l complet, până când se înclichează în locaș. Dacă vedeți indicatorul roșu, astfel cum se arată în imagine, acesta nu este blocat complet.

După ce ați montat cartușul acumulatorului, închideți bine capacul acumulatorului.

⚠️ ATENȚIE: Instalați întotdeauna cartușul acumulatorului complet, până când indicatorul roșu nu mai este vizibil. În caz contrar, acesta poate cădea accidental din mașină provocând rănirea dumneavoastră sau a persoanelor din jur.

⚠️ ATENȚIE: Nu forțați cartușul acumulatorului la montare. Dacă acesta nu glisează ușor, înseamnă că a fost introdus incorect.

Acționarea întrerupătorului

⚠️ AVERTIZARE: Înainte de a monta cartușul acumulatorului în mașină, asigurați-vă întotdeauna că butonul declanșator funcționează corect și revine în poziția „OFF” (oprit) prin trageră și eliberarea sa completă.

⚠️ AVERTIZARE: Nu dezactivați NICIODATĂ butonul de deblocare prin fixare cu bandă sau prin alte mijloace. Un comutator cu un buton de deblocare anulat poate duce la operarea accidentală și poate provoca vătămări grave.

⚠️ AVERTIZARE: Nu utilizați NICIODATĂ mașina dacă aceasta pornește la simpla apăsare a butonului declanșator, fără a apăsa butonul de deblocare. Un comutator defect poate duce la operarea accidentală și la vătămări grave. Returnați mașina la un centru de service Makita pentru efectuarea reparațiilor corespunzătoare ÎNAINTE de a continua utilizarea acestuia.

⚠️ AVERTIZARE: Nu instalați cartușul acumulatorului când butonul de blocare este cuplat.

Pentru a preveni acționarea accidentală a butonului declanșator, este prevăzut un buton de deblocare. Pentru a porni mașina, apăsați butonul de deblocare și trageți de butonul declanșator.

Viteza mașinii poate fi crescută prin creșterea forței de apăsare pe butonul declanșator. Eliberați butonul declanșator pentru a opri mașina.

Pentru funcționare continuă, apăsați butonul de blocare trăgând în același timp butonul declanșator, iar apoi eliberați butonul declanșator. Pentru a opri mașina, apăsați complet butonul declanșator, apoi eliberați-l.

► **Fig.15:** 1. Buton declanșator 2. Buton de deblocare 3. Buton de blocare

Acționarea butonului de schimbare a vitezei

NOTĂ: Folosiți butonul de schimbare a vitezei numai după ce mașina s-a oprit complet. Schimbarea modului de viteză a mașinii înainte de oprirea acesteia poate avaria mașina.

NOTĂ: Așezați întotdeauna butonul de schimbare a vitezei în poziția corectă. Dacă folosiți mașina cu butonul de schimbare a vitezei poziționat intermediar între poziția 1 și poziția 2, mașina poate fi avariata.

NOTĂ: Opriți mașina și comutați în modul de viteză redusă dacă viteza de rotație scade considerabil în timpul funcționării în modul de viteză ridicată. În caz contrar, motorul se poate supraîncălzi și poate produce o avarie sau un incendiu.

Se pot preselecciona două intervale de viteză cu ajutorul butonului de schimbare a vitezei.

Selecțiați modul de viteză corect pentru materialul care va fi mixat.

Pentru a schimba modul de viteză, rotiți butonul de schimbare a vitezei în așa fel încât indicatorul să indice punctul din poziția 1 pentru modul de viteză redusă sau punctul din poziția 2 pentru modul de viteză ridicată.

► **Fig.16:** 1. Indicator 2. Buton de schimbare a vitezei 3. Punct

Acționarea discului rotativ pentru reglarea vitezei

Viteza mașinii poate fi reglată la orice valoare prin rotirea discului rotativ pentru reglarea vitezei. Turația în gol poate fi reglată atunci când butonul declanșator este apăsat complet 270 min⁻¹ la 500 min⁻¹ la modul de viteză redusă, 500 min⁻¹ la 920 min⁻¹ la modul de viteză ridicată. Viteza mai mare se obține atunci când discul este rotit în direcția numărului 5; viteza mai mică se obține prin rotirea discului în direcția numărului 1.

Selecțiați viteza corectă pentru materialul care va fi mixat.

► **Fig.17:** 1. Disc rotativ pentru reglarea vitezei

NOTĂ: Discul rotativ pentru reglarea vitezei poate fi rotit numai până la poziția 5 și înapoi la poziția 1. Nu-l forțați peste pozițiile 5 sau 1.

Funcție de prevenire a repornirii accidentale

Dacă instalați cartușul acumulatorului trăgând în același timp butonul declanșator sau blocând butonul declanșator, mașina nu va porni. Pentru a porni mașina, eliberați și apoi trageți butonul declanșator.

Funcție electronică

Mașina este echipată cu următoarea funcție electronică pentru o utilizare facilă.

Pornire lină

Funcția de pornire lină minimizează șocul de pornire și permite o pornire lină a mașinii.

Funcții de bază

⚠️ ATENȚIE: Nu mixați materiale inflamabile sau nu utilizați mașina în apropierea materialelor inflamabile, cum ar fi vopseaua cu diluant folosit ca solvent. În caz contrar, se pot produce vătămări corporale.

⚠️ ATENȚIE: Nu mixați în modul de viteză ridicată materiale cu vâscozitate ridicată. Există riscul de a pierde controlul mașinii și de a suferi vătămări corporale.

⚠️ ATENȚIE: Nu rotiți pânză pentru mixare în afara vasului de amestecare.

⚠️ ATENȚIE: Dacă auziți un zgomot anormal în timpul utilizării, opriți comutatorul și nu mai utilizați mașina.

NOTĂ: Fiți atent să nu stropiți cu material atunci când mixați materialul și pâna pentru mixare iese în afara materialului.

NOTĂ: Nu folosiți mașina în alte scopuri decât pentru a amesteca mortar, beton etc.

1. Selectați modul de viteză ridicată sau redusă în funcție de materialul care va fi mixat.
2. Țineți mașina ferm cu ambele mâini. Poziționați pâna pentru mixare complet sub material. Verificați dacă materialul nu este solidificat și dacă zona de lucru este sigură, apoi porniți mașina.
3. Mișcați pâna pentru mixare în sus și în jos în timpul operației de mixare astfel încât să mixați tot materialul.
4. După ce ați terminat operația de mixare, opriți mașina. Asigurați-vă că pâna pentru mixare s-a oprit complet și apoi scoateți pâna din recipientul pentru mixare.

Operațiile efectuate

ATENȚIE: Asigurați-vă întotdeauna că mașina este oprită și cartușul acumulatorului este scos înainte de a ajusta sau verifica funcționarea mașinii.

Înlocuirea capacului acumulatorului

Accesorii opționale

Instalați capacul acumulatorului care se potrivește cu dimensiunea cartușului acumulatorului.

► **Fig.18:** 1. Capac acumulator S 2. Capac acumulator L 3. Buton

1. Deschideți capacul acumulatorului dotat standard apăsând pe butonul de pe capac.
 2. Slăbiți șurubul care fixează capacul acumulatorului dotat standard. Apoi scoateți șurubul, manșonul și capacul acumulatorului.
- **Fig.19:** 1. Șurub 2. Manșon 3. Capac acumulator (dotat standard)

NOTĂ: Manșonul poate rămâne în orificiile de fixare. În acest caz, scoateți-l cu un șurub sau ceva asemănător.

3. Aliniați orificiul de fixare de pe capacul opțional al acumulatorului cu orificiile de fixare de pe carcasă. Introduceți manșonul. Apoi strângeți șuruburile pentru a-l fixa în poziție.
- **Fig.20:** 1. Șurub 2. Manșon 3. Capac acumulator (opțional)
4. Închideți bine capacul acumulatorului.

Montarea sau demontarea suportului axului

diferă în funcție de țară

Pentru UT001G

Instalați unul dintre suporturile axului disponibile opțional care se potrivește cu dimensiunea șurubului axului.

► **Fig.21:** 1. Suport ax M12 2. Suport ax M14

În timp ce țineți axul cu o cheie, slăbiți suportul axului cu o altă cheie.

► **Fig.22:** 1. Suportul axului 2. Cheie 3. Arbore

Pentru a instala suportul axului, executați în ordine inversă operațiile de demontare.

Pentru UT002G

1. Introduceți cheia imbus în mandrină, apoi slăbiți mandrina folosind cheia imbus în timp ce țineți arborele cu cheia.

► **Fig.23:** 1. Cheie imbus 2. Mandrină 3. Cheie 4. Arbore

2. Strângeți suportul axului cu ajutorul unei chei în timp ce țineți arborele cu o altă cheie.

► **Fig.24:** 1. Suportul axului 2. Cheie 3. Arbore

Manipulare după utilizare

Folosiți o bucată de material umed sau ceva asemănător, pentru a șterge cu atenție materialul rămas pe mașină după utilizare. Procedați cu atenție deosebită atunci când curățați fantele de aerisire, zona comutatorului, deschiderile capacelor etc.

NOTĂ: Nu curățați mașina cu apă. Apa va pătrunde în carcasa motorului și va cauza defecțiunea acestuia.

ÎNȚREȚINERE

ATENȚIE: Asigurați-vă întotdeauna că mașina este oprită și cartușul acumulatorului scos înainte de a executa lucrările de inspecție și întreținere.

NOTĂ: Nu utilizați niciodată gazolină, benzină, diluant, alcool sau alte substanțe asemănătoare. În caz contrar, pot rezulta decolorări, deformări sau fisuri.

Pentru a menține SIGURANȚA și FIABILITATEA produsului, reparațiile și orice alte lucrări de întreținere sau reglare trebuie executate de centre de service Makita autorizate sau proprii, folosind întotdeauna piese de schimb Makita.

Depanare

Înainte de a solicita reparații, verificați următoarele puncte.

1. Opriți mașina, apoi porniți-o din nou pentru a reporni.
2. Încărcați acumulatorul (acumulatorii) sau înlocuiți-l (înlocuiți-i) cu un acumulator (acumulatori) încărcat (încărcați).
3. Lăsați mașina și acumulatorul (acumulatorii) să se răcească.

Dacă nu se poate observa nicio îmbunătățire prin resetarea sistemului de protecție, contactați centrul local de service Makita.

ACCESORII OPȚIONALE

⚠ ATENȚIE: Folosiți accesoriile sau piesele auxiliare recomandate pentru mașina dumneavoastră Makita în acest manual. Utilizarea oricăror alte accesorii sau piese auxiliare poate prezenta risc de vătămare corporală. Utilizați accesoriile și piesele auxiliare numai în scopul destinat.

Dacă aveți nevoie de asistență sau de mai multe detalii referitoare la aceste accesorii, adresați-vă centrului local de service Makita.

- Pânză pentru mixare
- Ax
- Capacul acumulatorului
- Acumulator și încărcător original Makita

NOTĂ: Unele articole din listă pot fi incluse ca accesorii standard în ambalajul de scule. Acestea pot diferi în funcție de țară.

TECHNISCHE DATEN

Modell:		UT001G	UT002G
Leerlaufdrehzahl	Hochdrehzahlmodus	0 - 920 min ⁻¹	
	Niederdrehzahlmodus	0 - 500 min ⁻¹	
Maximaler Rührblattdurchmesser		240 mm	
Gesamtlänge (ohne Welle und Rührblatt)	mit Akkuabdeckung S	373 mm	363 mm
	mit Akkuabdeckung L	412 mm	403 mm
Nennspannung		36 V - max. 40 V Gleichstrom	
Nettogewicht		5,7 - 7,0 kg	5,8 - 7,2 kg

- Wir behalten uns vor, Änderungen der technischen Daten im Zuge der Entwicklung und des technischen Fortschritts ohne vorherige Ankündigung vorzunehmen.
- Die technischen Daten und der Akku können von Land zu Land unterschiedlich sein.
- Das Gewicht kann abhängig von dem Aufsatz (den Aufsätzen), einschließlich des Akkus, unterschiedlich sein. Die leichteste und die schwerste Kombination, gemäß dem EPTA-Verfahren 01/2014, sind in der Tabelle angegeben.

Zutreffende Akkus und Ladegeräte




Akku	BL4020 / BL4025 / BL4040* / BL4050F* / BL4080F* * : Empfohlener Akku
Ladegerät	DC40RA / DC40RB / DC40RC

- Einige der oben aufgelisteten Akkus und Ladegeräte sind je nach Ihrem Wohngebiet eventuell nicht erhältlich.

⚠ WARNUNG: Verwenden Sie nur die oben aufgeführten Akkus und Ladegeräte. Bei Verwendung irgendwelcher anderer Akkus und Ladegeräte besteht Verletzungs- und/oder Brandgefahr.

Symbole

Nachfolgend werden Symbole beschrieben, die für das Gerät verwendet werden können. Machen Sie sich unbedingt vor der Benutzung mit ihrer Bedeutung vertraut.

	Betriebsanleitung lesen.
	Benutzen Sie das Werkzeug nicht bei Regen.
	Reinigen Sie das Werkzeug nicht mit Wasser.



Nur für EU-Länder
Aufgrund des Vorhandenseins gefährlicher Komponenten in der Ausrüstung können Elektro- und Elektronik-Altgeräte, Akkumulatoren und Batterien sich negativ auf die Umwelt und die menschliche Gesundheit auswirken. Entsorgen Sie Elektro- und Elektronikgeräte oder Batterien nicht mit dem Hausmüll!
In Übereinstimmung mit der Europäischen Richtlinie über Elektro- und Elektronik-Altgeräte, Akkumulatoren und Batterien, verbrauchte Akkumulatoren und Batterien sowie ihrer Anpassung an nationales Recht sollten Elektro-Altgeräte, Batterien und Akkumulatoren gemäß den Umweltschutzbestimmungen getrennt gelagert und zu einer getrennten Sammelstelle für Siedlungsabfälle geliefert werden.
Dies wird durch das am Gerät angebrachte Symbol der durchgestrichenen Abfalltonne auf Rädern angezeigt.

Vorgesehene Verwendung

Das Werkzeug ist zum Mischen von Wandmaterial usw. (außer brennbaren Materialien) vorgesehen.

Geräusch

Typischer A-bewerteter Geräuschpegel ermittelt gemäß EN62841-2-10:

Modell UT001G

Schalldruckpegel (L_{pA}): 81 dB (A)
Schalleistungspegel (L_{WA}): 92 dB (A)
Messunsicherheit (K): 3 dB (A)

Modell UT002G

Schalldruckpegel (L_{pA}): 81 dB (A)
Schalleistungspegel (L_{WA}): 92 dB (A)
Messunsicherheit (K): 3 dB (A)

HINWEIS: Der (Die) angegebene(n) Schallemissionswert(e) wurde(n) im Einklang mit der Standardprüfmethode gemessen und kann (können) für den Vergleich zwischen Werkzeugen herangezogen werden.

HINWEIS: Der (Die) angegebene(n) Schallemissionswert(e) kann (können) auch für eine Vorbewertung des Gefährdungsgrads verwendet werden.

⚠️ WARNUNG: Einen Gehörschutz tragen.

⚠️ WARNUNG: Die Schallemission während der tatsächlichen Benutzung des Elektrowerkzeugs kann je nach der Benutzungsweise des Werkzeugs, und speziell je nach der Art des bearbeiteten Werkstücks, von dem (den) angegebenen Wert(en) abweichen.

⚠️ WARNUNG: Identifizieren Sie Sicherheitsmaßnahmen zum Schutz des Benutzers anhand einer Schätzung des Gefährdungsgrads unter den tatsächlichen Benutzungsbedingungen (unter Berücksichtigung aller Phasen des Arbeitszyklus, wie z. B. Ausschalt- und Leerlaufzeiten des Werkzeugs zusätzlich zur Betriebszeit).

Schwingungen

Schwingungsgesamtwert (Drei-Achsen-Vektorsumme) ermittelt gemäß EN62841-2-10:

Modell UT001G

Arbeitsmodus: Leerlaufbetrieb
Schwingungsemission (a_h): 2,5 m/s² oder weniger
Messunsicherheit (K): 1,5 m/s²

Modell UT002G

Arbeitsmodus: Leerlaufbetrieb
Schwingungsemission (a_h): 2,5 m/s² oder weniger
Messunsicherheit (K): 1,5 m/s²

HINWEIS: Der (Die) angegebene(n) Vibrationsgesamtwert(e) wurde(n) im Einklang mit der Standardprüfmethode gemessen und kann (können) für den Vergleich zwischen Werkzeugen herangezogen werden.

HINWEIS: Der (Die) angegebene(n) Vibrationsgesamtwert(e) kann (können) auch für eine Vorbewertung des Gefährdungsgrads verwendet werden.

⚠️ WARNUNG: Die Vibrationsemission während der tatsächlichen Benutzung des Elektrowerkzeugs kann je nach der Benutzungsweise des Werkzeugs, und speziell je nach der Art des bearbeiteten Werkstücks, von dem (den) angegebenen Emissionswert(en) abweichen.

⚠️ WARNUNG: Identifizieren Sie Sicherheitsmaßnahmen zum Schutz des Benutzers anhand einer Schätzung des Gefährdungsgrads unter den tatsächlichen Benutzungsbedingungen (unter Berücksichtigung aller Phasen des Arbeitszyklus, wie z. B. Ausschalt- und Leerlaufzeiten des Werkzeugs zusätzlich zur Betriebszeit).

EG-Konformitätserklärung

Nur für europäische Länder

Die EG-Konformitätserklärung ist als Anhang A in dieser Bedienungsanleitung enthalten.

SICHERHEITSWARNUNGEN

Allgemeine Sicherheitswarnungen für Elektrowerkzeuge

⚠️ WARNUNG: Lesen Sie alle mit diesem Elektrowerkzeug gelieferten Sicherheitswarnungen, Anweisungen, Abbildungen und technischen Daten durch. Eine Missachtung der unten aufgeführten Anweisungen kann zu einem elektrischen Schlag, Brand und/oder schweren Verletzungen führen.

Bewahren Sie alle Warnungen und Anweisungen für spätere Bezugnahme auf.

Der Ausdruck „Elektrowerkzeug“ in den Warnhinweisen bezieht sich auf Ihr mit Netzstrom (mit Kabel) oder Akku (ohne Kabel) betriebenes Elektrowerkzeug.

Sicherheitswarnungen für Akku-Rührwerk

1. **Halten Sie das Werkzeug mit beiden Händen an den vorgesehenen Handgriffen fest.** Verlust der Kontrolle kann Personenschäden verursachen.
2. **Sorgen Sie beim Mischen von brennbaren Materialien für ausreichende Belüftung, um die Entstehung einer gefährlichen Atmosphäre zu vermeiden.** Anderenfalls können die entstehenden Dämpfe eingeatmet oder von den Funken, die das Elektrowerkzeug erzeugt, entzündet werden.
3. **Verrühren Sie keine Lebensmittel.** Elektrowerkzeuge und ihre Zubehöreile sind nicht für die Verarbeitung von Lebensmitteln ausgelegt.

Wichtige Sicherheitsanweisungen für Akku

4. **Gewährleisten Sie, dass der Mischbehälter sich an einer festen und sicheren Position befindet.** Ein Behälter, der nicht ordnungsgemäß gesichert ist, kann sich unerwartet bewegen.
5. **Befolgen Sie die Anweisungen und Warnungen für das zu mischende Material.** Das zu mischende Material kann gesundheitsschädlich sein.
6. **Greifen Sie während des Mischens nicht mit Ihren Händen in den Mischbehälter hinein, und stecken Sie auch keine anderen Gegenstände hinein.** Kontakt mit dem Rührblatt kann zu schweren Personenschäden führen.
7. **Starten und stoppen Sie das Werkzeug nur im Mischbehälter.** Das Rührblatt könnte sonst verbogen werden oder sich in unkontrollierter Weise drehen.
8. **Stellen Sie sicher, dass keine Flüssigkeit gegen das Gehäuse des Elektrowerkzeugs spritzt.** In das Elektrowerkzeug eingedrungene Flüssigkeit kann eine Beschädigung des Werkzeugs verursachen.
9. **Benutzen Sie Zusatzgriffe, sofern sie mit dem Werkzeug geliefert wurden.** Verlust der Kontrolle kann Personenschäden verursachen.
10. **Halten Sie das Elektrowerkzeug an den isolierten Griffflächen, wenn Sie Arbeiten ausführen, bei denen die Gefahr besteht, dass das Schneidzubehör verborgene Kabel kontaktiert.** Bei Kontakt mit einem Strom führenden Kabel können die freiliegenden Metallteile des Elektrowerkzeugs ebenfalls Strom führend werden, so dass der Benutzer einen elektrischen Schlag erleiden kann.
11. **Achten Sie stets auf sicheren Stand.** Vergewissern Sie sich bei Einsatz des Werkzeugs an hochgelegenen Arbeitsplätzen, dass sich keine Personen darunter aufhalten.
12. **Halten Sie das Werkzeug mit festem Griff.**
13. **Halten Sie Ihre Hände von rotierenden Teilen fern.**
14. **Lassen Sie das Werkzeug nicht unbeaufsichtigt laufen.** Betreiben Sie das Werkzeug nur im handgehaltenen Zustand.
15. **Manche Materialien können giftige Chemikalien enthalten.** Treffen Sie Vorsichtsmaßnahmen, um das Einatmen von Arbeitsstaub und Hautkontakt zu verhüten. Befolgen Sie die Sicherheitswarnungen des Materiallieferanten.
16. **Stellen Sie den Mischbehälter bei der Durchführung der Rührarbeit auf eine ebene und stabile Oberfläche.**

BEWAHREN SIE DIESE ANLEITUNG AUF.

⚠️ WARNUNG: Lassen Sie sich NICHT durch Bequemlichkeit oder Vertrautheit mit dem Produkt (durch wiederholten Gebrauch erworben) von der strikten Einhaltung der Sicherheitsregeln für das vorliegende Produkt abhalten. MISSBRAUCH oder Missachtung der Sicherheitsvorschriften in dieser Anleitung können schwere Personenschäden verursachen.

1. **Lesen Sie vor der Benutzung des Akkus alle Anweisungen und Warnhinweise, die an (1) Ladegerät, (2) Akku und (3) Akkuwerkzeug angebracht sind.**
2. **Unterlassen Sie Zerlegen oder Manipulieren des Akkus.** Es kann sonst zu einem Brand, übermäßiger Hitzeentwicklung oder einer Explosion kommen.
3. **Falls die Betriebszeit beträchtlich kürzer geworden ist, stellen Sie den Betrieb sofort ein.** Anderenfalls besteht die Gefahr von Überhitzung, möglichen Verbrennungen und sogar einer Explosion.
4. **Falls Elektrolyt in Ihre Augen gelangt, waschen Sie sie mit sauberem Wasser aus, und begeben Sie sich unverzüglich in ärztliche Behandlung.** Anderenfalls können Sie Ihre Sehkraft verlieren.
5. **Der Akku darf nicht kurzgeschlossen werden:**
 - (1) **Die Kontakte dürfen nicht mit leitfähigem Material berührt werden.**
 - (2) **Lagern Sie den Akku nicht in einem Behälter zusammen mit anderen Metallgegenständen, wie z. B. Nägel, Münzen usw.**
 - (3) **Setzen Sie den Akku weder Wasser noch Regen aus.****Ein Kurzschluss des Akkus verursacht starken Stromfluss, der Überhitzung, mögliche Verbrennungen und einen Defekt zur Folge haben kann.**
6. **Lagern und benutzen Sie das Werkzeug und den Akku nicht an Orten, an denen die Temperatur 50 °C erreichen oder überschreiten kann.**
7. **Versuchen Sie niemals, den Akku zu verbrennen, selbst wenn er stark beschädigt oder vollkommen verbraucht ist.** Der Akku kann im Feuer explodieren.
8. **Unterlassen Sie Nageln, Schneiden, Zerquetschen, Werfen, Fallenlassen des Akkus oder Schlagen des Akkus mit einem harten Gegenstand.** Eine solche Handlung kann zu einem Brand, übermäßiger Hitzeentwicklung oder einer Explosion führen.
9. **Benutzen Sie keine beschädigten Akkus.**
10. **Die enthaltenen Lithium-Ionen-Akkus unterliegen den Anforderungen der Gefahrgut-Gesetzgebung.** Für kommerzielle Transporte, z. B. durch Dritte oder Spediteure, müssen besondere Anforderungen zu Verpackung und Etikettierung beachtet werden. Zur Vorbereitung des zu transportierenden Artikels ist eine Beratung durch einen Experten für Gefahrgut erforderlich. Bitte beachten Sie möglicherweise ausführlichere nationale Vorschriften. Überkleben oder verdecken Sie offene Kontakte, und verpacken Sie den Akku so, dass er sich in der Verpackung nicht umher bewegen kann.
11. **Entfernen Sie den Akku zum Entsorgen vom Werkzeug, und entsorgen Sie ihn an einem sicheren Ort.** Befolgen Sie die örtlichen Vorschriften bezüglich der Entsorgung von Akkus.

12. **Verwenden Sie die Akkus nur mit den von Makita angegebenen Produkten.** Das Einsetzen der Akkus in nicht konforme Produkte kann zu einem Brand, übermäßiger Hitzebildung, einer Explosion oder Auslaufen von Elektrolyt führen.
13. **Soll das Werkzeug längere Zeit nicht benutzt werden, muss der Akku vom Werkzeug entfernt werden.**
14. **Bei und nach dem Gebrauch kann der Akku heiß werden, was Verbrennungen oder Niedertemperaturverbrennungen verursachen kann. Beachten Sie die Handhabung von heißen Akkus.**
15. **Berühren Sie nicht den Anschlusskontakt des Werkzeugs unmittelbar nach dem Gebrauch, da er heiß genug werden kann, um Verbrennungen zu verursachen.**
16. **Achten Sie darauf, dass sich keine Späne, Staub oder Schmutz in den Anschlusskontakten, Löchern und Nuten des Akkus absetzen.** Es könnte sonst zu Erhitzung, Brandauslösung, Bersten und Funktionsstörungen des Werkzeugs oder des Akkus kommen, was zu Verbrennungen oder Personenschäden führen kann.
17. **Wenn das Werkzeug den Einsatz in der Nähe einer Hochspannungs-Stromleitung nicht unterstützt, benutzen Sie den Akku nicht in der Nähe einer Hochspannungs-Stromleitung.** Dies kann zu einer Funktionsstörung oder Betriebsstörung des Werkzeugs oder des Akkus führen.
18. **Halten Sie die Batterie von Kindern fern.**

DIESE ANWEISUNGEN AUFBEWAHREN.

⚠ VORSICHT: Verwenden Sie nur Original-Makita-Akkus. Die Verwendung von Nicht-Original-Makita-Akkus oder von Akkus, die abgeändert worden sind, kann zum Bersten des Akkus und daraus resultierenden Bränden, Personenschäden und Beschädigung führen. Außerdem wird dadurch die Makita-Garantie für das Makita-Werkzeug und -Ladegerät ungültig.

Hinweise zur Aufrechterhaltung der maximalen Akku-Nutzungsdauer

1. **Laden Sie den Akku, bevor er vollkommen erschöpft ist. Schalten Sie das Werkzeug stets aus, und laden Sie den Akku, wenn Sie ein Nachlassen der Werkzeugleistung feststellen.**
2. **Unterlassen Sie erneutes Laden eines voll aufgeladenen Akkus. Überladen führt zu einer Verkürzung der Nutzungsdauer des Akkus.**
3. **Laden Sie den Akku bei Raumtemperatur zwischen 10 – 40 °C. Lassen Sie einen heißen Akku abkühlen, bevor Sie ihn laden.**
4. **Wenn Sie den Akku nicht benutzen, nehmen Sie ihn vom Werkzeug oder Ladegerät ab.**
5. **Der Akku muss geladen werden, wenn er lange Zeit (länger als sechs Monate) nicht benutzt wird.**

BEZEICHNUNG DER TEILE

Modell UT001G

► Abb.1

1	Auslöseschalter	2	Einschaltsperrknopf
3	Arretierknopf	4	Drehzahl-Stellrad
5	Drehzahl-Umschaltknopf	6	Akkuabdeckung
7	Handgriff	8	Wellenhalter
9	Welle	10	Rührblatt

Modell UT002G

► Abb.2

1	Auslöseschalter	2	Einschaltsperrknopf
3	Arretierknopf	4	Drehzahl-Stellrad
5	Drehzahl-Umschaltknopf	6	Akkuabdeckung
7	Handgriff	8	Spannfutter

VORBEREITUNGEN VOR DEM GEBRAUCH

Anzeigen der Akku-Restkapazität

Drücken Sie die Prüftaste am Akku, um die Akku-Restkapazität anzuzeigen. Die Anzeigelampen leuchten wenige Sekunden lang auf.

► Abb.3: 1. Anzeigelampen 2. Prüftaste

Anzeigelampen			Restkapazität
Erleuchtet	Aus	Blinkend	
■ ■ ■ ■			75% bis 100%
■ ■ ■ □			50% bis 75%
■ ■ □ □			25% bis 50%
■ □ □ □			0% bis 25%
▣ □ □ □			Den Akku aufladen.
■ ■ □ □	↑ ↓	□ □ ■ ■	Möglicherweise liegt eine Funktionsstörung im Akku vor.

HINWEIS: Abhängig von den Benutzungsbedingungen und der Umgebungstemperatur kann die Anzeige geringfügig von der tatsächlichen Kapazität abweichen.

HINWEIS: Die erste (äußerste linke) Anzeigelampe blinkt, wenn das Akku-Schutzsystem aktiv ist.

Was Sie vor der Benutzung wissen müssen

Halten Sie beim Benutzen oder Tragen des Werkzeugs den Handgriff.

► **Abb.4**

⚠ VORSICHT: Halten Sie nicht den Blechteil. Scharfe Bereiche können Verletzungen verursachen.

Werkzeug/Akku-Schutzsystem

Das Werkzeug ist mit einem Werkzeug/Akku-Schutzsystem ausgestattet. Dieses System schaltet die Stromversorgung des Motors automatisch ab, um die Lebensdauer von Werkzeug und Akku zu verlängern. Das Werkzeug bleibt während des Betriebs automatisch stehen, wenn das Werkzeug oder der Akku einer der folgenden Bedingungen unterliegt:

Überlastschutz

Wird das Werkzeug/der Akku auf eine Weise benutzt, die eine ungewöhnlich hohe Stromaufnahme bewirkt, bleibt das Werkzeug automatisch stehen. Schalten Sie in dieser Situation das Werkzeug aus, und brechen Sie die Arbeit ab, die eine Überlastung des Werkzeugs verursacht hat. Schalten Sie dann das Werkzeug wieder ein, um neu zu starten.

Überhitzungsschutz

Wenn das Werkzeug/der Akku überhitzt wird, bleibt das Werkzeug automatisch stehen. Lassen Sie das Werkzeug/den Akku in dieser Situation abkühlen, bevor Sie das Werkzeug wieder einschalten.

Überentladungsschutz

Wenn die Akkukapazität niedrig wird, schaltet sich das Werkzeug automatisch aus. Falls das Produkt trotz Betätigung der Schalter nicht funktioniert, entfernen Sie die Akkus vom Werkzeug, und laden Sie sie auf.

BENUTZUNG

⚠ VORSICHT: Vergewissern Sie sich vor der Ausführung von Arbeiten am Werkzeug stets, dass das Werkzeug ausgeschaltet und der Akku abgenommen ist.

ANMERKUNG: Wenn Sie nicht arbeiten, legen Sie die Maschine ab und bewahren Sie sie auf.

► **Abb.5**

Montage

Installieren der Welle

Sonderzubehör

Für UT001G

1. Drehen Sie die Welle in den Wellenhalter ein.
► **Abb.6:** 1. Welle 2. Wellenhalter

2. Halten Sie die Abflachungen am Wellenhalter mit dem Schraubenschlüssel 19 fest, damit sich der Wellenhalter nicht drehen kann. Während Sie die Abflachungen so halten, ziehen Sie die Sechskantmutter mit einem anderen Schraubenschlüssel 19 in Pfeilrichtung fest.
► **Abb.7:** 1. Welle 2. Wellenhalter

Für UT002G

1. Führen Sie die Welle bis zum Anschlag in das Spannfutter ein.

► **Abb.8:** 1. Welle 2. Spannfutter

2. Ziehen Sie das Spannfutter zunächst von Hand an, stecken Sie dann den Futterschlüssel in jedes der drei Löcher, und ziehen Sie das Spannfutter dann im Uhrzeigersinn fest. Ziehen Sie den Futterschlüssel unbedingt in allen drei Löchern gleichmäßig an.

► **Abb.9:** 1. Futterschlüssel 2. Spannfutter

3. Um die Welle zu entfernen, drehen Sie den Futterschlüssel in einem der Löcher gegen den Uhrzeigersinn, und lösen Sie dann das Spannfutter von Hand.

4. Bewahren Sie den Futterschlüssel bei Nichtgebrauch an der in der Abbildung gezeigten Stelle auf, damit er nicht verloren geht.

► **Abb.10:** 1. Futterschlüssel

Installieren des Rührblatts

Sonderzubehör

Führen Sie das Rührblatt in die Welle ein, und sichern Sie es mit der Sechskantschraube. Positionieren Sie es dabei so, dass das obere Ende der Sechskantschraube stets auf der Abflachung der Welle sitzt, und ziehen Sie die Sechskantschraube mit dem mitgelieferten Schraubenschlüssel fest.

► **Abb.11:** 1. Sechskantschraube 2. Welle
3. Abflachung 4. Rührblatt

Wenn Sie die Rührblätter an zwei unterschiedlichen Positionen montieren, montieren und sichern Sie die zwei Rührblätter auf der Abflachung der Welle mit den Sechskantschrauben, so dass die gleichen Oberflächen der Rührblätter zueinander gerichtet sind, wie in der Abbildung gezeigt.

► **Abb.12:** 1. Sechskantschraube 2. Welle
3. Abflachung 4. Rührblatt

HINWEIS: Erkundigen Sie sich bei Ihrer örtlichen Makita-Kundendienststelle, welche Rührblätter zulässig sind.

Anbringen und Abnehmen des Akkus

⚠ VORSICHT: Schalten Sie das Werkzeug stets aus, bevor Sie den Akku anbringen oder abnehmen.

⚠ VORSICHT: Halten Sie das Werkzeug und den Akku beim Anbringen oder Abnehmen des Akkus sicher fest. Wenn Sie das Werkzeug und den Akku nicht sicher festhalten, können sie Ihnen aus der Hand rutschen, was zu einer Beschädigung des Werkzeugs und des Akkus und zu Körperverletzungen führen kann.

⚠ VORSICHT: Benutzen Sie dieses Werkzeug nicht mit dem Akku-Adapter. Wenn Sie den Akku-Adapter an das Werkzeug anschließen, kann die Akkuabdeckung nicht geschlossen werden, und die Benutzung des Werkzeugs bei offener Akkuabdeckung kann eine Verletzung verursachen.

⚠ VORSICHT: Achten Sie beim Öffnen oder Schließen der Akkuabdeckung darauf, dass Sie sich nicht die Finger klemmen.

ANMERKUNG: Installieren Sie eine Akkuabdeckung, die der Größe des Akkus entspricht.

Öffnen Sie die Akkuabdeckung, während Sie den Knopf an der Akkuabdeckung drücken.

► **Abb.13:** 1. Knopf 2. Akkuabdeckung

Ziehen Sie den Akku zum Abnehmen vom Werkzeug ab, während Sie den Knopf an der Vorderseite des Akkus verschieben.

► **Abb.14:** 1. Rote Anzeige 2. Knopf 3. Akku

Richten Sie zum Anbringen des Akkus dessen Führungsfeder auf die Nut im Gehäuse aus, und schieben Sie den Akku hinein. Schieben Sie ihn vollständig ein, bis er mit einem leisen Klicken einrastet. Wenn Sie die rote Anzeige sehen können, wie in der Abbildung gezeigt, ist der Akku nicht vollständig verriegelt.

Schließen Sie die Akkuabdeckung sicher, nachdem Sie den Akku eingesetzt haben.

⚠ VORSICHT: Schieben Sie den Akku stets bis zum Anschlag ein, bis die rote Anzeige nicht mehr sichtbar ist. Anderenfalls kann er aus dem Werkzeug herausfallen und Sie oder umstehende Personen verletzen.

⚠ VORSICHT: Unterlassen Sie Gewaltanwendung beim Anbringen des Akkus. Falls der Akku nicht reibungslos hineingleitet, ist er nicht richtig ausgerichtet.

Schalterfunktion

⚠ WARNUNG: Vergewissern Sie sich vor dem Anbringen des Akkus am Werkzeug stets, dass der Auslöseschalter ordnungsgemäß funktioniert und durch vollständiges Drücken und Loslassen in die AUS-Stellung zurückkehrt.

⚠ WARNUNG: Versuchen Sie NIEMALS, den Einschaltsperrknopf mit Klebeband oder anderen Mitteln unwirksam zu machen. Ein Schalter mit unwirksamem Einschaltsperrknopf kann zu ungewolltem Betrieb und daraus resultierenden schweren Personenschäden führen.

⚠ WARNUNG: Betreiben Sie das Werkzeug NIEMALS, wenn es durch bloße Betätigung des Auslöseschalters eingeschaltet werden kann, ohne den Einschaltsperrknopf zu drücken. Ein reparaturbedürftiger Schalter kann zu ungewolltem Betrieb und daraus resultierenden schweren Verletzungen führen. Lassen Sie das Werkzeug von einer Makita-Kundendienststelle ordnungsgemäß reparieren, BEVOR Sie es weiter benutzen.

⚠ WARNUNG: Montieren Sie den Akku nicht bei eingerastetem Arretierknopf.

Um versehentliche Betätigung des Auslöseschalters zu verhüten, ist das Werkzeug mit einem Einschaltsperrknopf ausgestattet. Zum Starten des Werkzeugs drücken Sie zuerst den Einschaltsperrknopf, und betätigen Sie dann den Auslöseschalter.

Die Drehzahl des Werkzeugs erhöht sich durch verstärkte Druckausübung auf den Auslöseschalter. Zum Stoppen lassen Sie den Auslöseschalter los.

Für Dauerbetrieb drücken Sie den Arretierknopf hinein, während Sie den Auslöseschalter betätigen, und lassen Sie dann den Auslöseschalter los. Zum Anhalten des Werkzeugs betätigen Sie den Auslöseschalter vollständig, und lassen Sie ihn dann los.

► **Abb.15:** 1. Auslöseschalter 2. Einschaltsperrknopf 3. Arretierknopf

Funktion des Drehzahl-Umschaltknopfes

ANMERKUNG: Betätigen Sie den Drehzahl-Umschaltknopf erst, nachdem das Werkzeug zu einem vollständigen Stillstand gekommen ist. Durch Umschalten des Drehzahlmodus bei noch laufendem Werkzeug kann das Werkzeug beschädigt werden.

ANMERKUNG: Rasten Sie den Drehzahl-Umschaltknopf stets sorgfältig in die korrekte Position ein. Wird das Werkzeug bei einer Zwischenstellung des Drehzahl-Umschaltknopfes zwischen den Positionen 1 und 2 betrieben, kann es beschädigt werden.

ANMERKUNG: Falls die Drehzahl während des Betriebs im Hochdrehzahlmodus erheblich abfällt, stoppen Sie das Werkzeug, und schalten Sie es auf den Niederdrehzahlmodus um. Anderenfalls kann der Motor überlastet werden und eine Funktionsstörung oder einen Brand verursachen.

Zwei Drehzahlbereiche können mit dem Drehzahl-Umschaltknopf vorgewählt werden.

Wählen Sie den richtigen Drehzahlmodus für das zu mischende Material.

Um den Drehzahlmodus zu ändern, drehen Sie den Drehzahl-Umschaltknopf so, dass der Zeiger auf den Punkt bei Position 1 für den Niederdrehzahlmodus oder den Punkt bei Position 2 für den Hochdrehzahlmodus zeigt.

► **Abb.16:** 1. Zeiger 2. Drehzahl-Umschaltknopf
3. Punkt

Funktion des Drehzahl-Stellrads

Die Werkzeugdrehzahl kann durch Drehen des Drehzahl-Stellrads stufenlos eingestellt werden. Die Leerlaufdrehzahl bei vollständig betätigtem Auslöseschalter kann auf 270 min^{-1} bis 500 min^{-1} im Niederdrehzahlmodus und auf 500 min^{-1} bis 920 min^{-1} im Hochdrehzahlmodus eingestellt werden. Durch Drehen des Stellrads in Richtung der Nummer 5 wird die Drehzahl erhöht, während sie durch Drehen in Richtung 1 verringert wird.

Wählen Sie die richtige Drehzahl für das zu mischende Material.

► **Abb.17:** 1. Drehzahl-Stellrad

ANMERKUNG: Das Drehzahl-Stellrad lässt sich nur bis 5 und zurück auf 1 drehen. Drehen Sie es nicht gewaltsam über 5 oder 1 hinaus.

Funktion zur Verhütung eines versehentlichen Wiederanlaufs

Falls Sie den Akku montieren, während Sie den Auslöseschalter betätigen oder sperren, startet das Werkzeug nicht. Zum Starten des Werkzeugs lassen Sie den Auslöseschalter zunächst los, bevor Sie ihn betätigen.

Elektronikfunktion

Für komfortablen Betrieb ist das Werkzeug mit der folgenden Elektronikfunktion ausgestattet.

Sanftanlauf

Die Sanftanlauf-Funktion reduziert Anlaufstöße auf ein Minimum und bewirkt ruckfreies Anlaufen des Werkzeugs.

Grundlegende Bedienung

⚠ VORSICHT: Unterlassen Sie das Mischen von brennbaren Materialien oder das Betreiben des Werkzeugs im Umfeld von brennbaren Materialien, wie z. B. Lack mit Verdünnern als Lösungsmittel. Anderenfalls kann es zu Verletzungen kommen.

⚠ VORSICHT: Mischen Sie Material mit hoher Viskosität nicht im Hochdrehzahlmodus. Anderenfalls können Sie die Kontrolle über das Werkzeug verlieren und eine Verletzung verursachen.

⚠ VORSICHT: Drehen Sie das Rührblatt nicht außerhalb des Rührgefäßes.

⚠ VORSICHT: Falls Sie während der Benutzung ein abnormales Geräusch hören, schalten Sie den Schalter aus und benutzen Sie das Werkzeug nicht weiter.

ANMERKUNG: Wenn Sie das Material verrühren, während das Rührblatt aus dem Material herausdriftet, achten Sie darauf, dass Sie das Material nicht verspritzen.

ANMERKUNG: Benutzen Sie das Werkzeug nicht für andere Zwecke als zum Anrühren von Mörtel, Beton usw.

1. Wählen Sie den Hochdrehzahl- oder Niederdrehzahlmodus entsprechend dem zu verrührenden Material.
2. Halten Sie das Werkzeug mit beiden Händen fest. Tauchen Sie das Rührblatt vollständig in das Material ein. Überprüfen Sie, dass das Material nicht verfestigt ist, und die Sicherheit der Baustelle, bevor Sie das Werkzeug einschalten.
3. Bewegen Sie das Rührblatt während des Mischvorgangs auf und ab, so dass alle Teile des Materials vermischt werden.
4. Wenn Sie mit dem Mischen fertig sind, schalten Sie das Werkzeug aus. Vergewissern Sie sich, dass das Rührblatt vollständig zum Stillstand gekommen ist, und ziehen Sie es dann aus dem Mischbehälter heraus.

Angewandte Operationen

⚠ VORSICHT: Vergewissern Sie sich vor der Durchführung von Einstellungen oder Funktionsprüfungen des Werkzeugs stets, dass das Werkzeug ausgeschaltet und der Akku abgenommen ist.

Austauschen der Akkuabdeckung

Sonderzubehör

Installieren Sie eine der Akkuabdeckungen, die auf die Größe Ihres Akkus abgestimmt ist.

► **Abb.18:** 1. Akkuabdeckung S 2. Akkuabdeckung L
3. Knopf

1. Öffnen Sie die serienmäßige Akkuabdeckung, während Sie den Knopf an der Akkuabdeckung drücken.
2. Lösen Sie die Schraube, die die serienmäßige Akkuabdeckung sichert. Entfernen Sie dann die Schraube, die Hülse und die Akkuabdeckung.
► **Abb.19:** 1. Schraube 2. Hülse 3. Akkuabdeckung (serienmäßig)

HINWEIS: Die Hülse kann in den Montagelöchern verbleiben. Benutzen Sie in diesem Fall eine Schraube oder dergleichen, um sie herauszuziehen.

3. Richten Sie das Montageloch der optionalen Akkuabdeckung auf die Montagelöcher des Gehäuses aus. Führen Sie die Hülse ein. Ziehen Sie dann die Schrauben an, um die Hülse zu sichern.

► **Abb.20:** 1. Schraube 2. Hülse 3. Akkuabdeckung (optional)

4. Schließen Sie die Akkuabdeckung sicher.

Anbringen und Abnehmen des Wellenhalters

länderspezifisch

Für UT001G

Installieren Sie einen der optional erhältlichen Wellenhalter, der zu Ihrer Schraubengröße der Welle passt.

► **Abb.21:** 1. M12 Wellenhalter 2. M14 Wellenhalter

Während Sie die Spindel mit einem Schraubenschlüssel festhalten, lösen Sie den Wellenhalter mit einem anderen Schraubenschlüssel.

► **Abb.22:** 1. Wellenhalter 2. Schraubenschlüssel 3. Spindel

Zum Installieren des Wellenhalters führen Sie den Ausbauvorgang in umgekehrter Reihenfolge durch.

Für UT002G

1. Führen Sie den Inbusschlüssel in das Spannfutter ein, und lösen Sie dann das Spannfutter mit dem Inbusschlüssel, während Sie die Spindel mit dem Schraubenschlüssel festhalten.

► **Abb.23:** 1. Inbusschlüssel 2. Spannfutter 3. Schraubenschlüssel 4. Spindel

2. Ziehen Sie den Wellenhalter mit einem Schraubenschlüssel an, während Sie die Spindel mit einem anderen Schraubenschlüssel festhalten.

► **Abb.24:** 1. Wellenhalter 2. Schraubenschlüssel 3. Spindel

Handhabung nach der Benutzung

Benutzen Sie einen nassen Lappen oder dergleichen, um das am Werkzeug haftende Material nach dem Gebrauch sorgfältig abzuwischen. Besondere Sorgfalt ist der gründlichen Reinigung der Lüftungsslitze, des Schalterbereichs, der Abdeckungsöffnungen usw. zu widmen.

ANMERKUNG: Vermeiden Sie Waschen des Werkzeugs in Wasser. Wasser kann in das Motorgehäuse eindringen und einen Motorschaden verursachen.

WARTUNG

⚠VORSICHT: Vergewissern Sie sich vor der Durchführung von Inspektions- oder Wartungsarbeiten stets, dass das Werkzeug ausgeschaltet und der Akku abgenommen ist.

ANMERKUNG: Verwenden Sie auf keinen Fall Benzin, Waschbenzin, Verdünnern, Alkohol oder dergleichen. Solche Mittel können Verfärbung, Verformung oder Rissbildung verursachen.

Um die SICHERHEIT und ZUVERLÄSSIGKEIT dieses Produkts zu gewährleisten, sollten Reparaturen und andere Wartungs- oder Einstellarbeiten nur von Makita-Vertragswerkstätten oder Makita-Kundendienstzentren unter ausschließlicher Verwendung von Makita-Originalersatzteilen ausgeführt werden.

Fehlersuche

Bevor Sie eine Reparatur anfordern, überprüfen Sie bitte die folgenden Punkte.

1. Schalten Sie das Werkzeug aus und wieder ein, um es neu zu starten.
2. Laden Sie den/die Akku(s) auf, oder tauschen Sie ihn/sie gegen einen aufgeladenen Akku/aufgeladene Akkus aus.
3. Lassen Sie das Werkzeug und den/die Akku(s) abkühlen.

Falls die Wiederherstellung des Schutzsystems keine Besserung bringt, wenden Sie sich an Ihre lokale Makita-Kundendienststelle.

SONDERZUBEHÖR

⚠VORSICHT: Die folgenden Zubehörteile oder Vorrichtungen werden für den Einsatz mit dem in dieser Anleitung beschriebenen Makita-Werkzeug empfohlen. Die Verwendung anderer Zubehörteile oder Vorrichtungen kann eine Verletzungsgefahr darstellen. Verwenden Sie Zubehörteile oder Vorrichtungen nur für ihren vorgesehenen Zweck.

Wenn Sie weitere Einzelheiten bezüglich dieser Zubehörteile benötigen, wenden Sie sich bitte an Ihre Makita-Kundendienststelle.

- Rührblatt
- Welle
- Akkuabdeckung
- Original-Makita-Akku und -Ladegerät

HINWEIS: Manche Teile in der Liste können als Standardzubehör im Werkzeugsatz enthalten sein. Sie können von Land zu Land unterschiedlich sein.

Makita Europe N.V. Jan-Baptist Vinkstraat 2,
3070 Kortenberg, Belgium

Makita Corporation 3-11-8, Sumiyoshi-cho,
Anjo, Aichi 446-8502 Japan

www.makita.com

885997-975
EN, PL, HU, SK,
CS, UK, RO, DE
20220818