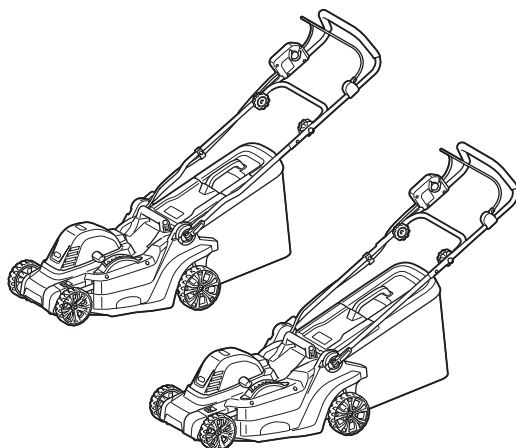




EN	Cordless Lawn Mower	INSTRUCTION MANUAL	7
PL	Akumulatorowa kosiarka do trawy	INSTRUKCJA OBSŁUGI	18
HU	Vezeték nélküli fűnyíró	HASZNÁLATI KÉZIKÖNYV	31
SK	Akumulátorová kosačka	NÁVOD NA OBSLUHU	43
CS	Akumulátorová sekačka na trávu	NÁVOD K OBSLUZE	55
UK	Бездротова газонокосарка	ІНСТРУКЦІЯ З ЕКСПЛУАТАЦІЇ	66
RO	Mașină de tuns iarba fără cablu	MANUAL DE INSTRUCȚIUNI	79
DE	Akku Rasenmäher	BETRIEBSANLEITUNG	92

LM003G
LM004G



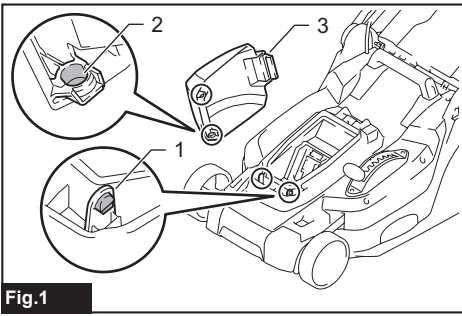


Fig.1

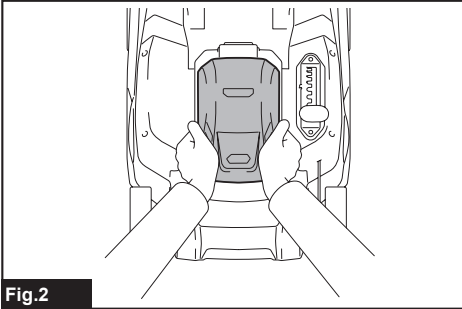


Fig.2

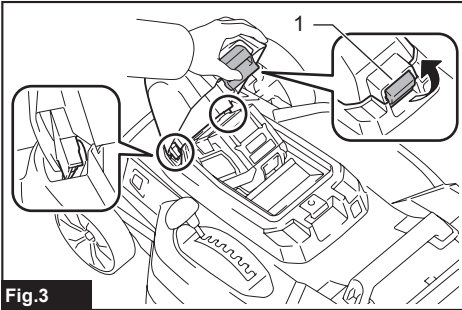


Fig.3

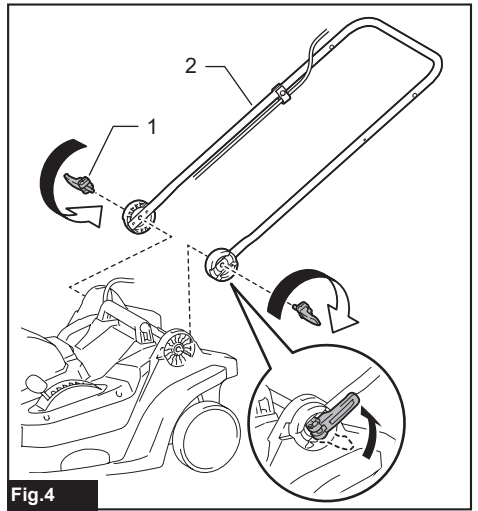


Fig.4

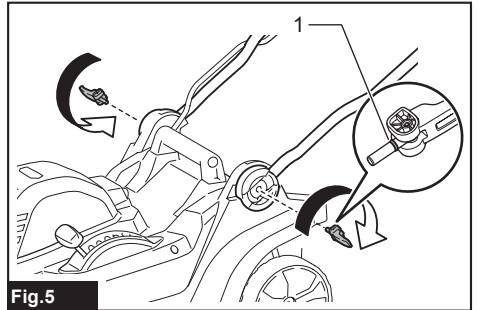


Fig.5

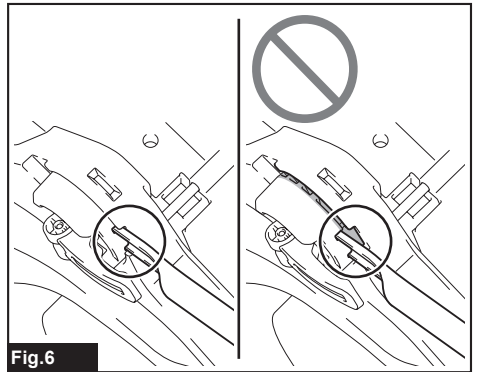


Fig.6

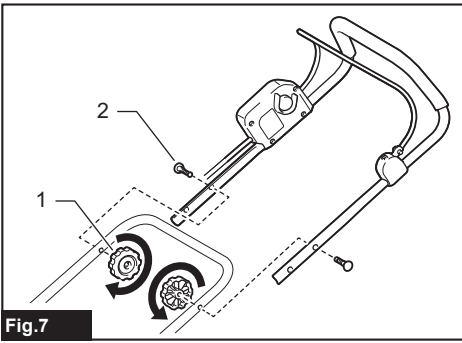


Fig.7

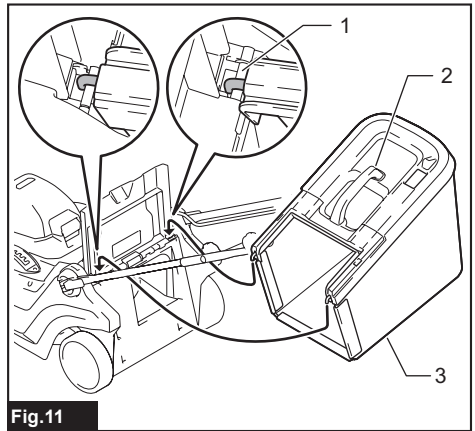


Fig.11

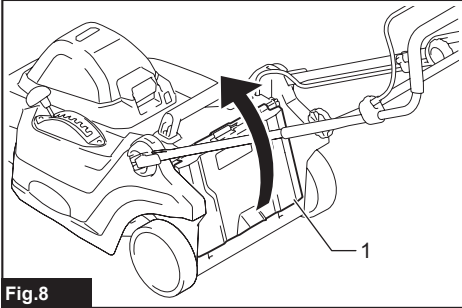


Fig.8

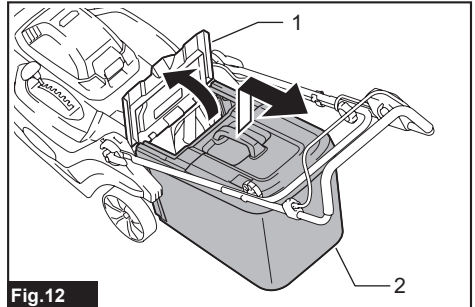


Fig.12

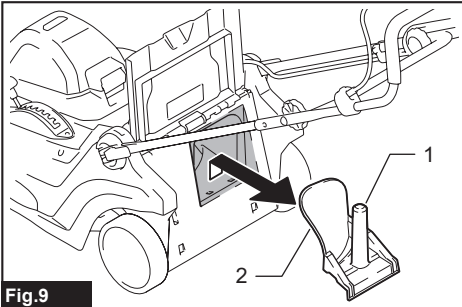


Fig.9

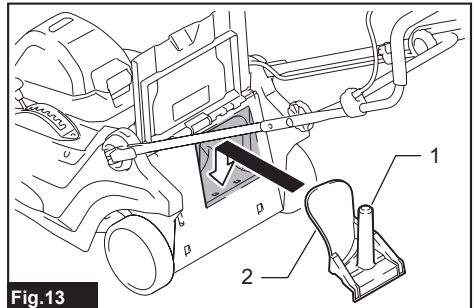


Fig.13

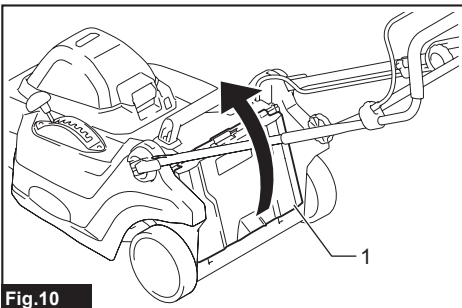


Fig.10

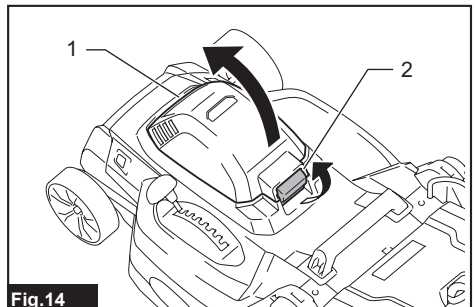


Fig.14

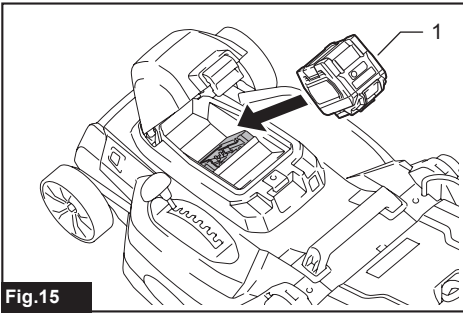


Fig.15

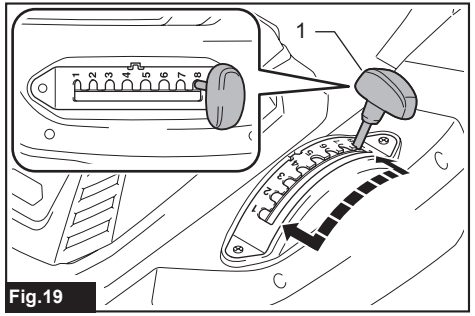


Fig.19

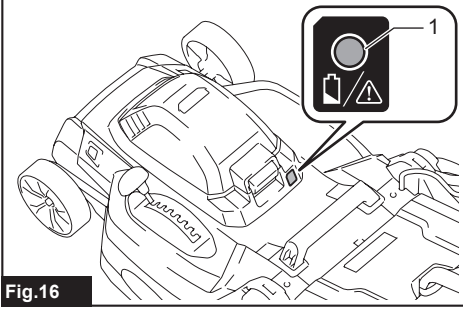


Fig.16

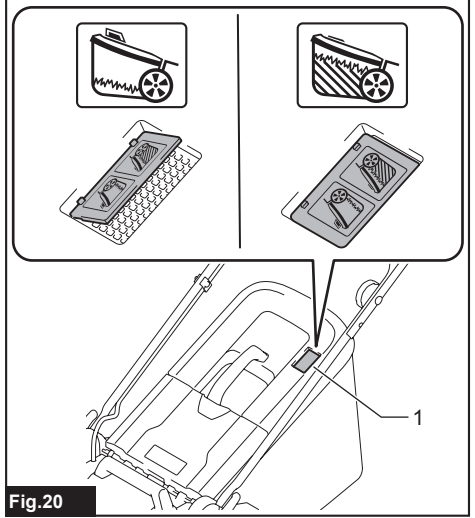


Fig.20

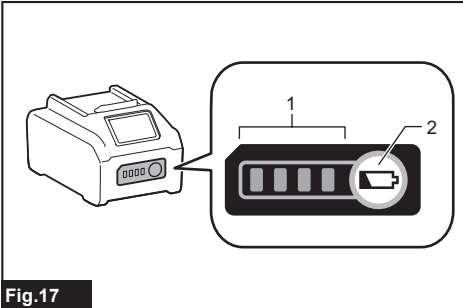


Fig.17

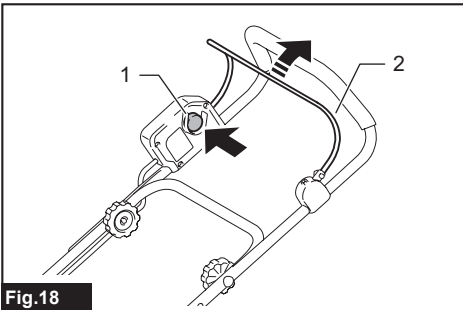


Fig.18

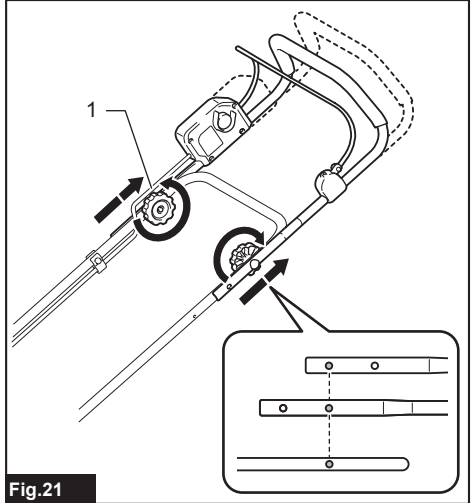


Fig.21

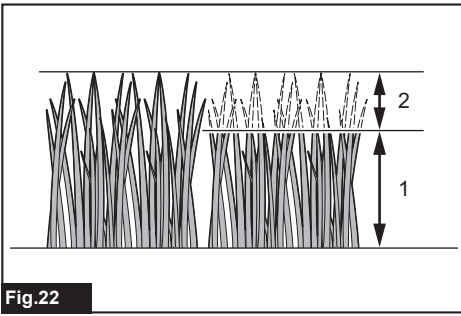


Fig.22

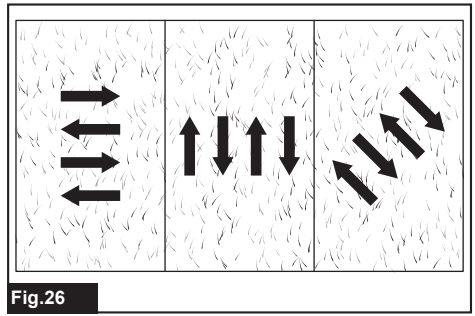


Fig.26



Fig.23

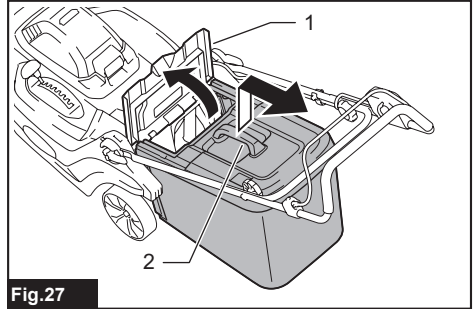


Fig.27

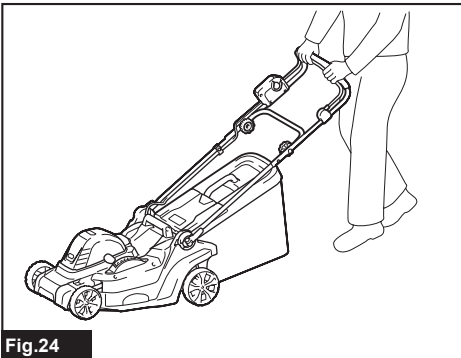


Fig.24

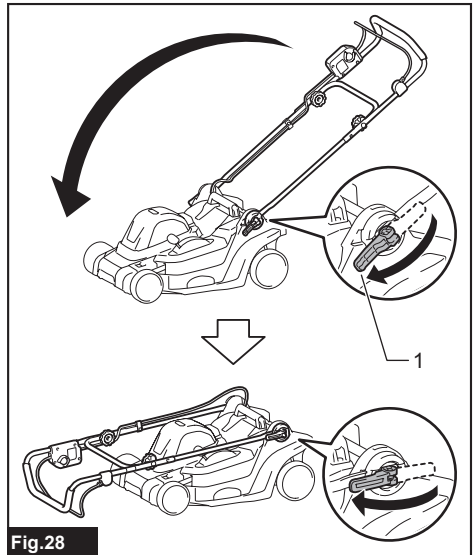


Fig.28

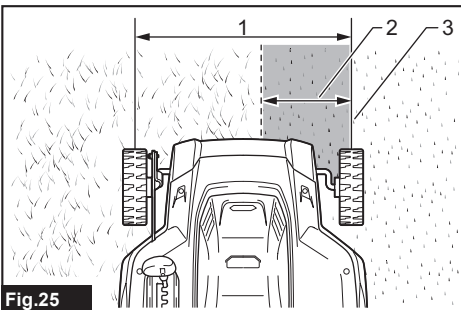


Fig.25

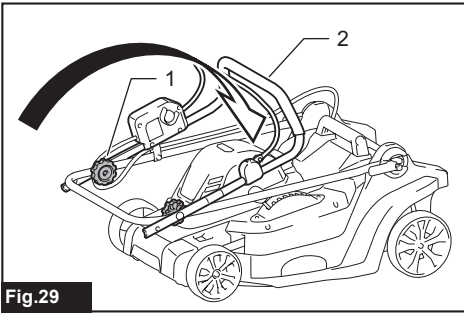


Fig.29

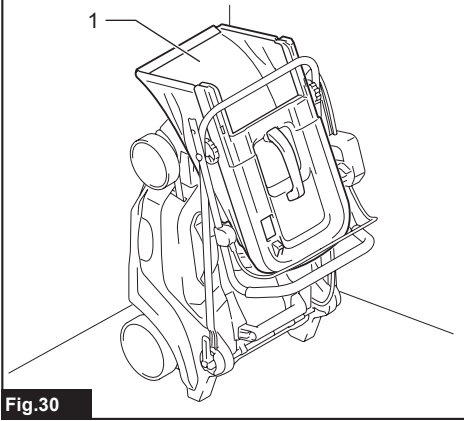


Fig.30

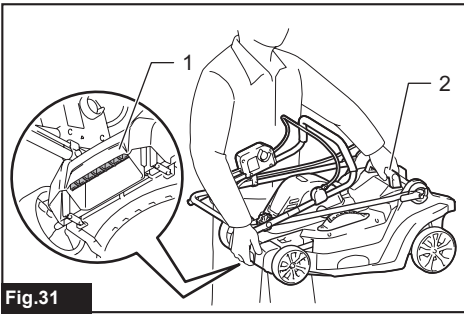


Fig.31

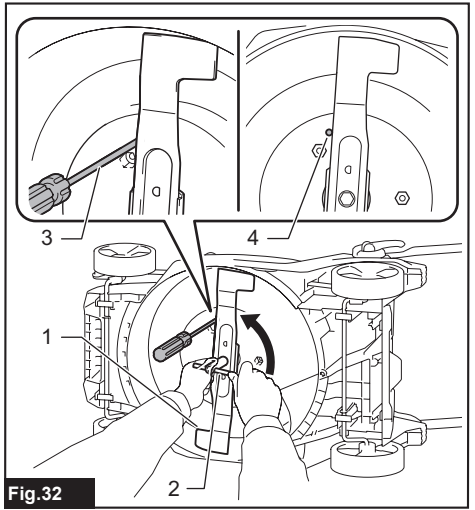


Fig.32

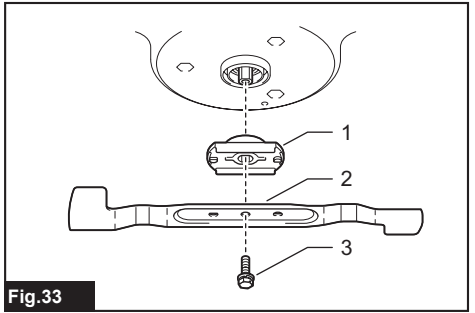


Fig.33

SPECIFICATIONS

Model:	LM003G	LM004G	
Mowing width (blade diameter)	380 mm	430 mm	
No load speed	3,800 min ⁻¹		
Part number of replacement mower blade	Straight mower blade	1913G8-3	1913H4-8
	Mulching blade	1913H0-6	1913H6-4
Dimensions (L x W x H)	during operation	L: 1,370 mm to 1,420 mm W: 450 mm H: 990 mm to 1,020 mm	L: 1,390 mm to 1,440 mm W: 460 mm H: 990 mm to 1,020 mm
	when stored (without grass basket)	520 mm x 450 mm x 880 mm	520 mm x 460 mm x 885 mm
Rated voltage	D.C. 36 V - 40 V max		
Net weight	14.9 - 17.3 kg	15.6 - 18.2 kg	
Protection degree	IPX4		

- Due to our continuing program of research and development, the specifications herein are subject to change without notice.
- Specifications may differ from country to country.
- The weight may differ depending on the attachment(s), including the battery cartridge. The lightest and heaviest combinations, according to EPTA-Procedure 01/2014, are shown in the table.

Applicable battery cartridge and charger

Battery cartridge	BL4020 / BL4025 / BL4040 / BL4040F / BL4050F / BL4080F
Charger	DC40RA / DC40RB / DC40RC / DC40WA







- Some of the battery cartridges and chargers listed above may not be available depending on your region of residence.

⚠ WARNING: Only use the battery cartridges and chargers listed above. Use of any other battery cartridges and chargers may cause injury and/or fire.

⚠ WARNING: Do not use a corded power supply such as battery adapter or portable power pack with this machine. The cable of such power supply may hinder the operation and result in personal injury.

Symbols

The followings show the symbols which may be used for the equipment. Be sure that you understand their meaning before use.

	Take particular care and attention.
	Read instruction manual.
	Danger; be aware of thrown objects.
	The distance between the machine and bystanders must be at least 15 m.
	Never put your hands and feet near the mower blade under the mower. Mower blades continue to rotate after the motor is switched off.
	Warning; Disconnect battery before maintenance.



Only for EU countries
 Due to the presence of hazardous components in the equipment, waste electrical and electronic equipment, accumulators and batteries may have a negative impact on the environment and human health. Do not dispose of electrical and electronic appliances or batteries with household waste!
 In accordance with the European Directive on waste electrical and electronic equipment and on accumulators and batteries, as well as their adaptation to national law, waste electrical equipment, batteries and accumulators should be stored separately and delivered to a separate collection point for municipal waste, operating in accordance with the regulations on environmental protection.
 This is indicated by the symbol of the crossed-out wheeled bin placed on the equipment.



Guaranteed sound power level according to EU Outdoor Noise Directive.



Sound power level according to Australia
NSW Noise Control Regulation.

Intended use

The machine is intended for lawn mowing.

Noise

The typical A-weighted noise level determined according to EN62841-4-3:

Model LM003G

Measured sound power level (L_{WA}): 90 dB (A)
Guaranteed sound power level (L_{WA}): 93 dB (A)
Sound pressure level (L_{pA}): 83 dB (A)
Uncertainty for sound pressure level (K): 3 dB (A)

Model LM004G

Measured sound power level (L_{WA}): 90 dB (A)
Guaranteed sound power level (L_{WA}): 93 dB (A)
Sound pressure level (L_{pA}): 81 dB (A)
Uncertainty for sound pressure level (K): 3 dB (A)

NOTE: The declared noise emission value(s) has been measured in accordance with a standard test method and may be used for comparing one tool with another.

NOTE: The declared noise emission value(s) may also be used in a preliminary assessment of exposure.

⚠ WARNING: Wear ear protection.

⚠ WARNING: The noise emission during actual use of the power tool can differ from the declared value(s) depending on the ways in which the tool is used especially what kind of workpiece is processed.

⚠ WARNING: Be sure to identify safety measures to protect the operator that are based on an estimation of exposure in the actual conditions of use (taking account of all parts of the operating cycle such as the times when the tool is switched off and when it is running idle in addition to the trigger time).

Vibration

The vibration total value (tri-axial vector sum) determined according to EN62841-4-3:

Model LM003G

Vibration emission (a_h): 2.5 m/s² or less
Uncertainty (K): 1.5 m/s²

Model LM004G

Vibration emission (a_h): 2.5 m/s² or less
Uncertainty (K): 1.5 m/s²

NOTE: The declared vibration total value(s) has been measured in accordance with a standard test method and may be used for comparing one tool with another.

NOTE: The declared vibration total value(s) may also be used in a preliminary assessment of exposure.

⚠ WARNING: The vibration emission during actual use of the power tool can differ from the declared value(s) depending on the ways in which the tool is used especially what kind of workpiece is processed.

⚠ WARNING: Be sure to identify safety measures to protect the operator that are based on an estimation of exposure in the actual conditions of use (taking account of all parts of the operating cycle such as the times when the tool is switched off and when it is running idle in addition to the trigger time).

Declarations of Conformity

For European countries only

The Declarations of conformity are included in Annex A to this instruction manual.

SAFETY WARNINGS

General power tool safety warnings

⚠ WARNING Read all safety warnings, instructions, illustrations and specifications provided with this power tool. Failure to follow all instructions listed below may result in electric shock, fire and/or serious injury.

Save all warnings and instructions for future reference.

The term "power tool" in the warnings refers to your mains-operated (corded) power tool or battery-operated (cordless) power tool.

Cordless Lawn Mower Safety Warnings

1. **Do not use the lawnmower in bad weather conditions, especially when there is a risk of lightning.** This decreases the risk of being struck by lightning.
2. **Thoroughly inspect the area for wildlife where the lawnmower is to be used.** Wildlife may be injured by the lawnmower during operation.
3. **Thoroughly inspect the area where the lawnmower is to be used and remove all stones, sticks, wires, bones, and other foreign objects.** Thrown objects can cause personal injury.
4. **Before using the lawnmower, always visually inspect to see that the blade and the blade assembly are not worn or damaged.** Worn or damaged parts increase the risk of injury.
5. **Check the grass catcher frequently for wear or deterioration.** A worn or damaged grass catcher may increase the risk of personal injury.
6. **Keep guards in place. Guards must be in working order and be properly mounted.** A guard that is loose, damaged, or is not functioning correctly may result in personal injury.
7. **Keep all cooling air inlets clear of debris.** Blocked air inlets and debris may result in overheating or risk of fire.

8. **While operating the lawnmower, always wear non-slip and protective footwear. Do not operate the lawnmower when barefoot or wearing open sandals.** This reduces the chance of injury to the feet from contact with the moving blade.
9. **While operating the lawnmower, always wear long trousers.** Exposed skin increases the likelihood of injury from thrown objects.
10. **Do not operate the lawnmower in wet grass. Walk, never run.** This reduces the risk of slipping and falling which may result in personal injury.
11. **Do not operate the lawnmower on excessively steep slopes.** This reduces the risk of loss of control, slipping and falling which may result in personal injury.
12. **When working on slopes, always be sure of your footing, always work across the face of slopes, never up or down and exercise extreme caution when changing direction.** This reduces the risk of loss of control, slipping and falling which may result in personal injury.
13. **Use extreme caution when reversing or pulling the lawnmower towards you. Always be aware of your surroundings.** This reduces the risk of tripping during operation.
14. **Do not touch blades and other hazardous moving parts while they are still in motion.** This reduces the risk of injury from moving parts.
15. **When clearing jammed material or cleaning the lawnmower, make sure all power switches are off and the battery pack is disconnected.** Unexpected operation of the lawnmower may result in serious personal injury.

SAVE THESE INSTRUCTIONS.

⚠ WARNING: DO NOT let comfort or familiarity with product (gained from repeated use) replace strict adherence to safety rules for the subject product.

MISUSE or failure to follow the safety rules stated in this instruction manual may cause serious personal injury.

IMPORTANT SAFETY INSTRUCTIONS

⚠ WARNING: Read all safety warnings and all instructions. Failure to follow the warnings and instructions may result in electric shock, fire and/or serious injury.

Save all warnings and instructions for future reference.

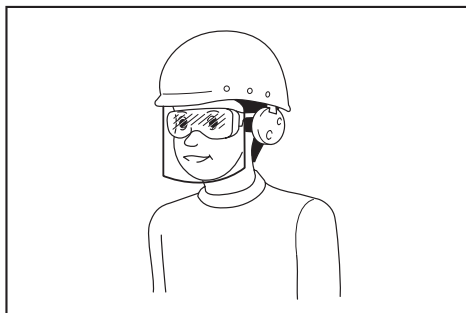
Training

1. **Read the instructions carefully. Be familiar with the controls and the proper use of the mower.**
2. **Never allow children or people unfamiliar with these instructions to use the mower. Local regulations can restrict the age of the operator.**
3. **Never operate the mower while people, especially children, or pets are nearby.**

4. **Keep in mind that the operator or user is responsible for accidents or hazards occurring to other people or their property.**
5. **Children should be supervised to ensure that they do not play with the mower.**
6. **Physical condition - Do not operate mower while under the influence of drugs, alcohol, or any medication.**

Preparation

1. **While operating the mower, always wear substantial footwear and long trousers. Do not operate the mower when barefoot or wearing open sandals. Avoid wearing clothing or jewelry that is loose fitting or that has hanging cords or ties. They can be caught in moving parts.**
2. **Before use, always visually inspect the mower for damaged, missing or misplaced guards or shields.**
3. **Be sure the area is clear of other people before mowing. Stop mower if anyone enters the area.**
4. **Always wear protective goggles to protect your eyes from injury when using power tools. The goggles must comply with ANSI Z87.1 in the USA, EN 166 in Europe, or AS/NZS 1336 in Australia/New Zealand. In Australia/New Zealand, it is legally required to wear a face shield to protect your face, too.**



It is an employer's responsibility to enforce the use of appropriate safety protective equipments by the tool operators and by other persons in the immediate working area.

5. **Check the blades or blade bolts carefully for cracks or damage before operation. Replace cracked or damaged blades or blade bolts immediately.**
6. **Remove foreign matters such as rocks, wire, bottles, bones and large sticks from the work area before mowing to prevent personal injury or damage to the mower.**
7. **Objects struck by the mower blade can cause severe injuries to persons. The lawn should always be carefully examined and cleared of all objects prior to each mowing.**
8. **Watch for holes, ruts, bumps, rocks, or other hidden objects. Uneven terrain could cause a slip and fall accident. Tall grass can hide obstacles.**
9. **Use personal protective equipment. Always wear eye protection.** Protective equipment such as a dust mask, non-skid safety shoes, hard hat or hearing protection used for appropriate conditions will reduce personal injuries.

Operation

1. Do not overreach. Keep the balance at all times. Always be sure of the footing on slopes. Walk, never run.
2. Stop the mower and turn off the machine, and make sure that all moving parts have come to a complete stop:
 - whenever you leave the mower,
 - before clearing blockages or unclogging chute,
 - before checking, cleaning or working on the mower,
 - after striking a foreign object. Inspect the mower for damage and make repairs before restarting and operating the mower,
 - whenever the mower starts vibrating abnormally.
3. Never operate the mower with defective guards or shields, or without safety devices, for example deflectors and/or grass basket, in place.
4. Avoid using the mower in bad weather conditions especially when there is a risk of lightning.
5. Wear eye protection and stout shoes at all times while operating the mower.
6. Operate the mower only in daylight or in good artificial light.
7. Switch on the mower carefully according to instructions and with feet well away from the blade(s).
8. Take care against injury to feet and hands from the mower blades.
9. Always ensure that the ventilation openings are kept clear of debris.
10. Mow across the face of slopes, never up and down. Exercise extreme caution when changing direction on slopes. Do not mow excessively steep slopes.
11. Use extreme caution when reversing or pulling the mower towards you.
12. Stop the blade(s) if the mower has to be tilted for transportation when crossing surfaces other than grass, and when transporting the mower to and from the area to be used.
13. Do not tilt the mower when switching on the motor, except if the mower has to be tilted for starting. In this case, do not tilt it more than absolutely necessary and lift only the part, which is away from the operator. Always ensure that both hands are in the operating position before returning the mower to the ground.
14. Do not put hands or feet near or under rotating parts. Keep clear of the discharge opening at all times.
15. Do not transport the mower while the mower is turned on.
16. Avoid operating the mower in wet grass.
17. Always keep a firm hold on the handle.
18. Don't grasp the exposed cutting blades or cutting edges when picking up or holding the mower.
19. Keep hands and feet away from rotating blades. Caution - Blades coast after the mower is switched off.
20. Stop operation immediately if you notice anything unusual. Switch off the mower. Then inspect the mower.
21. Never attempt to make cutting height adjustments while mower is running if the mower has cutting height adjustment feature.
22. Release switch lever and wait for blade rotation to stop before crossing driveways, walks, roads, and any gravel-covered areas. Also turn off the machine if you leave the mower, reach to pick up or remove something out of your way, or for any other reason that may distract you from what you are doing.
23. If the mower strikes a foreign object, follow these steps:
 - Stop the mower, release the switch lever and wait until the blade comes to a complete stop.
 - Remove the battery cartridge.
 - Thoroughly inspect the mower for any damage.
 - Replace the blade if it is damaged in any way. Repair any damage before restarting and continuing to operate the mower.
24. Do not start the mower when standing in front of the discharge opening.
25. If the mower starts to vibrate abnormally (check immediately)
 - inspect for damage,
 - replace or repair any damaged parts,
 - check for and tighten any loose parts.
26. Never direct discharged material toward anyone. Avoid discharging material against a wall or obstruction. Material may ricochet back toward the operator. Stop the blade when crossing gravel surfaces.
27. Do not pull the mower backwards unless absolutely necessary. When you are compelled to back the mower from a fence or other similar obstruction, look down and behind before and while moving backwards.
28. Shut the motor off and wait until the blade comes to a complete stop before removing the grass catcher. Beware that the blades coast after turn off.
29. When you use the machine on muddy ground, wet slope, or slippery place, pay attention to your footing.
30. Do not submerge the machine into a puddle.
31. When operating the machine, pay attention to piping and wiring.

Maintenance and storage

1. Replace worn or damaged parts for safety. Use only genuine replacement parts and accessories.
2. Inspect and maintain the mower regularly.
3. When not in use, store the mower out of the reach of children.
4. Keep all nuts, bolts, and screws tight to be sure the equipment is in safe working condition.

5. **Check the grass basket frequently for wear or deterioration. For storage, always make sure the grass basket is empty. Replace a worn grass basket with a new factory replacement for safety.**
6. **Use only the manufacturer genuine blades specified in this manual.**
7. **Be careful during adjustment of the mower to prevent entrapment of the fingers between moving blades and fixed parts of the mower.**
8. **Check the blade mounting bolt at frequent intervals for proper tightness.**
9. **Always allow the mower to cool down before storing.**
10. **When servicing the blades be aware that, even though the power source is switched off, the blades can still be moved.**
11. **Never remove or tamper with safety devices. Check their proper operation regularly. Never do anything to interfere with the intended function of a safety device or to reduce the protection provided by a safety device.**
12. **Do not leave the machine unattended outdoors in the rain.**
13. **When storing the machine, avoid direct sunlight and rain, and store it in a place where it does not get hot or humid.**

Battery tool use and care

1. **Recharge only with the charger specified by the manufacturer.** A charger that is suitable for one type of battery pack may create a risk of fire when used with another battery pack.
2. **Use power tools only with specifically designated battery packs.** Use of any other battery packs may create a risk of injury and fire.
3. **When battery pack is not in use, keep it away from other metal objects, like paper clips, coins, keys, nails, screws or other small metal objects, that can make a connection from one terminal to another.** Shorting the battery terminals together may cause burns or a fire.
4. **Under abusive conditions, liquid may be ejected from the battery; avoid contact. If contact accidentally occurs, flush with water. If liquid contacts eyes, additionally seek medical help.** Liquid ejected from the battery may cause irritation or burns.
5. **Do not use a battery pack or tool that is damaged or modified.** Damaged or modified batteries may exhibit unpredictable behaviour resulting in fire, explosion or risk of injury.
6. **Do not expose a battery pack or tool to fire or excessive temperature.** Exposure to fire or temperature above 130 °C may cause explosion.
7. **Follow all charging instructions and do not charge the battery pack or tool outside the temperature range specified in the instructions.** Charging improperly or at temperatures outside the specified range may damage the battery and increase the risk of fire.

Electrical and battery safety

1. **Do not dispose of the battery(ies) in a fire.** The cell may explode. Check with local codes for possible special disposal instructions.

2. **Do not open or mutilate the battery(ies).** Released electrolyte is corrosive and may cause damage to the eyes or skin. It may be toxic if swallowed.
3. **Do not charge battery in rain, or in wet locations.**
4. **Do not charge the battery outdoors.**
5. **Do not handle charger, including charger plug, and charger terminals with wet hands.**
6. **Do not replace the battery in the rain.**
7. **Do not wet the terminal of battery with liquid such as water, or submerge the battery. Do not leave the battery in the rain, nor charge, use, or store the battery in a damp or wet place.** If the terminal gets wet or liquid enters inside of battery, the battery may be short circuited and there is a risk of overheat, fire, or explosion.
8. **After removing the battery from the machine or charger, be sure to attach the battery cover to the battery and store it in a dry place.**
9. **Do not replace the battery with wet hands.**
10. **Avoid dangerous environment. Don't use the machine in damp or wet locations or expose it to rain.** Water entering the machine will increase the risk of electric shock.
11. **If the battery cartridge gets wet, drain the water inside and then wipe it with a dry cloth. Dry the battery cartridge completely in a dry place before use.**

Service

1. **Have your power tool serviced by a qualified repair person using only identical replacement parts.** This will ensure that the safety of the power tool is maintained.
2. **Never service damaged battery packs.** Service of battery packs should only be performed by the manufacturer or authorized service providers.

SAVE THESE INSTRUCTIONS.

⚠WARNING: DO NOT let comfort or familiarity with product (gained from repeated use) replace strict adherence to safety rules for the subject product.

MISUSE or failure to follow the safety rules stated in this instruction manual may cause serious personal injury.

Important safety instructions for battery cartridge

1. **Before using battery cartridge, read all instructions and cautionary markings on (1) battery charger, (2) battery, and (3) product using battery.**
2. **Do not disassemble or tamper with the battery cartridge.** It may result in a fire, excessive heat, or explosion.
3. **If operating time has become excessively shorter, stop operating immediately. It may result in a risk of overheating, possible burns and even an explosion.**
4. **If electrolyte gets into your eyes, rinse them out with clear water and seek medical attention right away. It may result in loss of your eyesight.**

5. **Do not short the battery cartridge:**
 - (1) **Do not touch the terminals with any conductive material.**
 - (2) **Avoid storing battery cartridge in a container with other metal objects such as nails, coins, etc.**
 - (3) **Do not expose battery cartridge to water or rain.**

A battery short can cause a large current flow, overheating, possible burns and even a breakdown.

6. **Do not store and use the tool and battery cartridge in locations where the temperature may reach or exceed 50 °C (122 °F).**
7. **Do not incinerate the battery cartridge even if it is severely damaged or is completely worn out. The battery cartridge can explode in a fire.**
8. **Do not nail, cut, crush, throw, drop the battery cartridge, or hit against a hard object to the battery cartridge.** Such conduct may result in a fire, excessive heat, or explosion.
9. **Do not use a damaged battery.**
10. **The contained lithium-ion batteries are subject to the Dangerous Goods Legislation requirements.**

For commercial transports e.g. by third parties, forwarding agents, special requirement on packaging and labeling must be observed. For preparation of the item being shipped, consulting an expert for hazardous material is required. Please also observe possibly more detailed national regulations.

Tape or mask off open contacts and pack up the battery in such a manner that it cannot move around in the packaging.

11. **When disposing the battery cartridge, remove it from the tool and dispose of it in a safe place. Follow your local regulations relating to disposal of battery.**
12. **Use the batteries only with the products specified by Makita.** Installing the batteries to non-compliant products may result in a fire, excessive heat, explosion, or leak of electrolyte.
13. **If the tool is not used for a long period of time, the battery must be removed from the tool.**
14. **During and after use, the battery cartridge may take on heat which can cause burns or low temperature burns. Pay attention to the handling of hot battery cartridges.**
15. **Do not touch the terminal of the tool immediately after use as it may get hot enough to cause burns.**
16. **Do not allow chips, dust, or soil stuck into the terminals, holes, and grooves of the battery cartridge.** It may cause heating, catching fire, burst and malfunction of the tool or battery cartridge, resulting in burns or personal injury.
17. **Unless the tool supports the use near high-voltage electrical power lines, do not use the battery cartridge near high-voltage electrical power lines.** It may result in a malfunction or breakdown of the tool or battery cartridge.
18. **Keep the battery away from children.**

SAVE THESE INSTRUCTIONS.

⚠CAUTION: Only use genuine Makita batteries. Use of non-genuine Makita batteries, or batteries that have been altered, may result in the battery bursting causing fires, personal injury and damage. It will also void the Makita warranty for the Makita tool and charger.

Tips for maintaining maximum battery life

1. **Charge the battery cartridge before completely discharged. Always stop tool operation and charge the battery cartridge when you notice less tool power.**
2. **Never recharge a fully charged battery cartridge. Overcharging shortens the battery service life.**
3. **Charge the battery cartridge with room temperature at 10 °C - 40 °C (50 °F - 104 °F). Let a hot battery cartridge cool down before charging it.**
4. **When not using the battery cartridge, remove it from the tool or the charger.**
5. **Charge the battery cartridge if you do not use it for a long period (more than six months).**

ASSEMBLY

⚠WARNING: Always be sure that the battery cartridge is removed before carrying out any work on the machine. Failure to remove the battery cartridge may result in serious personal injury from accidental start-up.

⚠WARNING: Never start the mower unless it is completely assembled. Operation of the machine in a partially assembled state may result in serious personal injury from accidental start-up.

Installing the battery cover

⚠WARNING: Do not insert the battery cartridge before installing the battery cover. Failure to do so may cause a serious injury.

Install the battery cover completely before the operation. The battery cover protects the mower and battery cartridge from mud, dirt, and water.

1. Place the battery cover with the protrusions on the mower aligned with the holes on the battery cover.

► **Fig.1:** 1. Protrusion 2. Hole 3. Battery cover

2. Place your hands in the middle of the battery cover and push it.

► **Fig.2**

3. Make sure that the battery cover is attached securely, and the battery cover is locked securely with the locking lever.

► **Fig.3:** 1. Locking lever

Installing the handle

CAUTION: Install the handles securely.

NOTICE: When installing handles, position the cord so that it is not caught by anything between the handles. If the cord is damaged, the mower switch may not work.

1. Place the both ends of lower handle into the grooves of the mower body, then tighten the clamping levers, and then fold the clamping levers.

► **Fig.4:** 1. Clamping lever 2. Lower handle

When tightening the clamping levers, tighten them until the rings on the levers just cannot be seen.

► **Fig.5:** 1. Ring

NOTE: Make sure that there is no gap between the lower handle and the mower body after the clamping levers are folded.

► **Fig.6**

2. Align the hole in the upper handle with the hole in the lower handle, then insert the bolt from outside, and then tighten the thumb nut from inside. Perform the same procedure on the other side.

► **Fig.7:** 1. Thumb nut 2. Bolt

NOTE: Hold the upper handle firmly so that it does not drop off your hand.

Removing the mulching plug

1. Open the rear cover.

► **Fig.8:** 1. Rear cover

2. Hold the mulching plug by the handle, and then pull it out from the mower body as shown in the figure.

► **Fig.9:** 1. Handle 2. Mulching plug

Installing or removing the grass basket

To install the grass basket, follow the steps below.

1. Open the rear cover.

► **Fig.10:** 1. Rear cover

2. Hold the handle of the grass basket, and then hook the grass basket on the rod of the mower body as shown in the figure.

► **Fig.11:** 1. Rod 2. Handle 3. Grass basket

To remove the grass basket, open the rear cover, and then remove the grass basket by holding the handle.

Attaching the mulching plug

1. Open the rear cover, and then remove the grass basket.

► **Fig.12:** 1. Rear cover 2. Grass basket

2. Hold the mulching plug by the handle, and then attach it to the mower body by pushing it as far as it will go as shown in the figure.

► **Fig.13:** 1. Handle 2. Mulching plug

FUNCTIONAL DESCRIPTION

CAUTION: Always be sure that the machine is switched off and the battery cartridge is removed before adjusting or checking function on the machine.

Installing or removing battery cartridge

CAUTION: Always switch off the machine before installing or removing of the battery cartridge.

CAUTION: Hold the machine and the battery cartridge firmly when installing or removing battery cartridge. Failure to hold the machine and the battery cartridge firmly may cause them to slip off your hands and result in damage to the machine and battery cartridge and a personal injury.

CAUTION: Make sure that you lock the battery cover before use. Otherwise, mud, dirt, or water may cause damage to the product or the battery cartridge.

CAUTION: Always install the battery cartridge fully until the red indicator cannot be seen. If not, it may accidentally fall out of the machine, causing injury to you or someone around you.

CAUTION: Do not install the battery cartridge forcibly. If the cartridge does not slide in easily, it is not being inserted correctly.

CAUTION: Hold the battery cover firmly when installing or removing the battery cartridge.

To install the battery cartridge;

1. Pull up the locking lever, and then open the battery cover.

► **Fig.14:** 1. Battery cover 2. Locking lever

2. Align the tongue on the battery cartridge with the slot on the mower then slide the cartridge until it locks in place with a little click.

► **Fig.15:** 1. Battery cartridge

3. Close the battery cover firmly.

To remove the battery cartridge from the mower;

1. Pull up the locking lever and open the battery cover.

2. Pull out the battery cartridge from the mower while sliding the button on the front of the cartridge.

3. Close the battery cover.

Machine / battery protection system

The machine is equipped with a machine/battery protection system. This system automatically cuts off power to the motor to extend machine and battery life. The machine will automatically stop during operation if the machine or battery is placed under one of the following conditions.

Overload protection

When the machine/battery is operated in a manner that causes it to draw an abnormally high current, the machine automatically stops and the indicator lamp lights up in red. In this situation, turn the machine off and stop the application that caused the machine to become overloaded. Then turn the machine on to restart.

Overheat protection

When the machine is overheated, the machine stops automatically and the indicator lamp lights up in red. Let the machine cool down before turning the machine on again.

Overdischarge protection

When the battery capacity becomes low, the machine stops automatically and the indicator lamp lights up in red. If the machine does not operate even when the switches are operated, remove the battery from the machine and charge the battery.

Protections against other causes

Protection system is also designed for other causes that could damage the machine and allows the machine to stop automatically. Take all the following steps to clear the causes, when the machine has been brought to a temporary halt or stop in operation.

1. Turn the machine off, and then turn it on again to restart.
2. Charge the battery(ies) or replace it/them with recharged battery(ies).
3. Let the machine and battery(ies) cool down.

If no improvement can be found by restoring protection system, then contact your local Makita Service Center.

NOTICE: If the machine stops due to a cause not described above, refer to the section for troubleshooting.

NOTE: The timing, at which the lamp lights up, depends on the temperature at work place and the battery cartridge conditions.

Indicating the remaining battery capacity















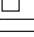
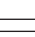
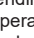
► Fig.16: 1. Indicator lamp

When the remaining battery capacity gets low, the indicator lamp blinks in red. By further use, the machine stops and the indicator lamp lights up in red. In this situation, charge the battery cartridge.

Indicating the remaining battery capacity

Press the check button on the battery cartridge to indicate the remaining battery capacity. The indicator lamps light up for a few seconds.

► Fig.17: 1. Indicator lamps 2. Check button

Indicator lamps			Remaining capacity
 Lighted	 Off	 Blinking	
			75% to 100%
			50% to 75%
			25% to 50%
			0% to 25%
			Charge the battery.
			The battery may have malfunctioned.
			

NOTE: Depending on the conditions of use and the ambient temperature, the indication may differ slightly from the actual capacity.

NOTE: The first (far left) indicator lamp will blink when the battery protection system works.

Switch action

WARNING: Before installing the battery cartridge, always check to see that the switch lever actuates properly and returns to the original position when released. Operating a machine with a switch that does not actuate properly can lead to loss of control and serious personal injury.

NOTE: The mower does not start without pressing the switch button even the switch lever is pulled.

NOTE: Mower may not start due to the overload when you try to mow long or dense grass at a time. Increase the mowing height in this case.

This machine is equipped with the switch button. If you notice anything unusual with the switch button, stop the operation immediately and have it checked by your nearest Makita Authorized Service Center.

1. Install the battery cartridge, and then close the battery cover firmly.
2. Pull the switch lever toward you while holding down the switch button. Release the switch button when the motor starts running.

► Fig.18: 1. Switch button 2. Switch lever

3. Release the switch lever to stop the motor.

Adjusting the mowing height

⚠ WARNING: Never put your hand or leg under the mower body when adjusting the mowing height.

⚠ WARNING: Always make sure that the lever fits in the groove properly before operation.

The mowing height can be adjusted in the range of between 20 mm and 75 mm.

Turn off the machine, and then pull the mowing height adjusting lever outward of the mower body and move it to your desired mowing height.

► **Fig.19:** 1. Mowing height adjusting lever

The table below shows the relationship between the number on the mower body and the approximate mowing height.

Number	Mowing height
1	20 mm
2	29 mm
3	36 mm
4	44 mm
5	53 mm
6	61 mm
7	69 mm
8	75 mm

NOTE: The mowing height figures should be used just as a guideline. Depending on the conditions of the lawn or the ground, the actual lawn height may become slightly different from the set height.

NOTE: Try a test mowing of grass in a less conspicuous place to get your desired height.

Grass level indicator

► **Fig.20:** 1. Grass level indicator

Grass level indicator shows the volume of mowed grass.

- When the grass basket is not full, the indicator floats during mowing.
- When the grass basket is full, the indicator does not float during mowing. In this case, stop mowing immediately and empty the basket. After emptying the basket, clean it so that its meshwork vents the air.

NOTE: This indicator is a rough guide. Depending on the conditions of inside of the basket, this indicator may not work properly.

Adjusting the handle height

⚠ CAUTION: Before removing the bolts, hold the upper handle firmly. Otherwise, the handle may fall and cause an injury.

The handle height can be adjusted in two levels.

1. Loosen the thumb nuts of the handle, and then remove the bolts and thumb nuts.

► **Fig.21:** 1. Thumb nut

2. Adjust the handle height.
3. Insert the bolts from outside, and then tighten the thumb nuts from inside.

Using mulching plug

The mulching plug allows you to return the cut grass to the ground without gathering the cut grass in the grass basket. When you operate the machine with the mulching plug, be sure to remove the grass basket.

NOTICE: When using the machine with the mulching plug, make sure that the total length of grass after cutting is 30 mm or more, and the cut length is 15 mm or less.

► **Fig.22:** (1) 30 mm or more (2) 15 mm or less

OPERATION

Mowing

⚠ WARNING: Before mowing, clear away sticks and stones from mowing area. Furthermore, clear away any weeds from mowing area in advance.

⚠ WARNING: Always wear the safety goggles or safety glasses with side shields when operating the mower.

⚠ CAUTION: If the cut grass or foreign object blocks up inside of the mower body, be sure to remove the battery cartridges and wear gloves before removing the grass or foreign object.

NOTICE: Use this machine for mowing lawn only. Do not mow weeds with this machine.

► **Fig.23**

Firmly hold the handle with both hands when mowing.

The mowing speed guideline is approximately 2 to 4 seconds per 1 meter.

► **Fig.24**

NOTE: When cutting long lawn or dense lawn, if the unevenness in the length of lawn or poor finish is found after mowing, or decrease of the motor speed is found during mowing, decrease the mowing speed lower than recommended in this manual, or raise the mowing height.

The center lines of the front wheels are guidelines to mowing width. Using the center lines as guidelines, mow in strips. Overlap by one half to one third the previous strip to mow the lawn evenly.

► **Fig.25:** 1. Mowing width 2. Overlapping area
3. Center line

Change the mowing direction each time to prevent the grass grain pattern from forming in just one direction.

► **Fig.26**

Periodically check the grass basket for mowed grass. Empty the grass before it becomes full. Before every periodical check, be sure to stop and turn off the machine.

NOTICE: Using the mower with the grass basket full prevents smooth blade rotation and places an extra load on the motor, which may cause breakdown.

Mowing a long-grass lawn

Do not try to cut long grass all in one go. Instead, mow the lawn in some steps. Leave a day or two between mows until the lawn becomes evenly short.

NOTE: Mowing long grass to a short length all in one go may cause the grass to die. The cut grass may also block up inside of the mower body.

Emptying the grass basket

WARNING: To reduce a risk of accident, regularly check the grass basket for any damage or weakened strength. Replace the grass basket if necessary.

1. Release the switch lever.
2. Remove the battery cartridge.
3. Open the rear cover and take out the grass basket by holding the handle.
▶ **Fig.27:** 1. Rear cover 2. Handle
4. Empty the grass basket.

MAINTENANCE

WARNING: Always be sure that the battery cartridge is removed from the machine before storing or carrying the machine or attempting to perform inspection or maintenance.

WARNING: Wear gloves when performing inspection or maintenance.

WARNING: Always wear the safety goggles or safety glasses with side shields when performing inspection or maintenance.

NOTICE: Never use gasoline, benzene, thinner, alcohol or the like. Discoloration, deformation or cracks may result.

To maintain product SAFETY and RELIABILITY, repairs, any other maintenance or adjustment should be performed by Makita Authorized or Factory Service Centers, always using Makita replacement parts.

Maintenance

1. Remove the battery cartridge, and then close the battery cover.
2. Put the mower on its side. Clean grass clippings accumulated on the underside of mower deck.
3. Pour water toward the bottom of the machine to which the blade is attached.

NOTICE: Do not wash the machine with high pressure water.

4. Check all nuts, bolts, screws, etc. for tightness.
5. Inspect moving parts for damage, breakage, and wear. Damaged or missing parts should be repaired or replaced.
6. Store the mower in a safe place out of the reach of children.

Storage

CAUTION: When putting the machine in the upright position, place the machine on a flat and stable surface. If the machine is placed on an unstable surface, the machine may fall over and cause an injury.

Store mower indoors in a cool, dry and locked place. Don't store the mower and charger in locations where the temperature may reach or exceed 40 °C.

1. Remove the battery cartridge.
2. Remove the grass basket.
3. Unfold the clamping levers, then fold the handle, and then fold the clamping levers.
▶ **Fig.28:** 1. Clamping lever
4. Loosen the thumb nuts of the handle, and then fold the upper handle.
▶ **Fig.29:** 1. Thumb nut 2. Upper handle
5. Place the machine in the upright position.

NOTE: When putting the mower in the upright position, do not hold the handle only, but hold the mower body and handle.

6. Store the grass basket between the handle and the mower body.
▶ **Fig.30:** 1. Grass basket

Carrying the mower

CAUTION: Before carrying the mower, make sure that the battery cartridge is removed.

When carrying the mower, hold the rear grip and the lower holding part at the front of the machine as shown in the figure.

- ▶ **Fig.31:** 1. Lower holding part 2. Rear grip

Removing or installing the mower blade

WARNING: Always remove the battery cartridge when removing or installing the blade. Failure to remove the battery cartridge may cause a serious injury.

WARNING: The blade coasts for a few seconds after releasing the switch. Do not start any operation until the blade comes to a complete stop.

WARNING: Always wear gloves when handling the blade.

NOTICE: When removing or installing the mower blade, use the box wrench included in the machine package.

Removing the mower blade

- Put the mower on its side so that the mowing height adjusting lever comes to the upper side.
- To lock the blade rotation, insert a pin or tool such as screwdriver into a hole on the mower body.
- Turn the bolt counterclockwise with the wrench.
 - ▶ Fig.32: 1. Mower blade 2. Wrench 3. Screwdriver 4. Hole
- Remove the bolt and blade in order.
 - ▶ Fig.33: 1. Blade support 2. Mower blade 3. Bolt

Installing the mower blade

To install the mower blade, take the removal procedure in reverse.

⚠WARNING: Install the mower blade carefully. It has a top/bottom facing.

⚠WARNING: Tighten the bolt clockwise firmly to secure the blade.

⚠WARNING: Make sure that the mower blade and all the fixing parts are installed correctly and tightened securely.

⚠WARNING: When you replace the blades, always follow the instructions provided in this manual.

NOTICE: When tightening the bolt to install the mower blade, apply 19 - 29 N·m as tightening torque (the values are just for a reference).

TROUBLESHOOTING

Before asking for repairs, conduct your own inspection first. If you find a problem that is not explained in the manual, do not attempt to disassemble the machine. Instead, ask Makita Authorized Service Centers, always using Makita replacement parts for repairs.

State of abnormality	Probable cause (malfunction)	Remedy
Mower does not start.	Battery cartridge is not installed.	Install charged battery cartridge.
	Battery problem (under voltage)	Recharge the battery cartridge. If recharging is not effective, replace battery cartridge.
Motor stops running after a little use.	Battery's charge level is low.	Recharge the battery cartridge. If recharging is not effective, replace battery cartridge.
	Cutting height is too low.	Increase the cutting height.
Motor does not reach maximum RPM.	Battery cartridge is installed improperly.	Install the battery cartridge as described in this manual.
	Battery power is dropping.	Recharge the battery cartridge. If recharging is not effective, replace battery cartridge.
	The drive system does not work correctly.	Ask your local authorized service center for repair.
Mower blade does not rotate: ⇒ stop the mower immediately!	Foreign object such as a branch is jammed near the blade.	Remove the foreign object.
	The drive system does not work correctly.	Ask your local authorized service center for repair.
Abnormal vibration: ⇒ stop the mower immediately!	Blade is imbalanced, excessively or unevenly worn.	Replace the blade.

OPTIONAL ACCESSORIES

⚠CAUTION: These accessories or attachments are recommended for use with your Makita machine specified in this manual. The use of any other accessories or attachments might present a risk of injury to persons. Only use accessory or attachment for its stated purpose.

If you need any assistance for more details regarding these accessories, ask your local Makita Service Center.

- Mower blade
- Makita genuine battery and charger

NOTE: Some items in the list may be included in the product package as standard accessories. They may differ from country to country.

DANE TECHNICZNE

Model:		LM003G	LM004G
Szerokość koszenia (średnica noża)		380 mm	430 mm
Prędkość bez obciążenia		3 800 min ⁻¹	
Numer części zamiennego noża kosiarki	Prosty nóż kosiarki	1913G8-3	1913H4-8
	Nóż do mulczowania	1913H0-6	1913H6-4
Wymiary (dług. x szer. x wys.)	podczas pracy	D: 1 370 mm do 1 420 mm Sz: 450 mm W: 990 mm do 1 020 mm	D: 1 390 mm do 1 440 mm Sz: 460 mm W: 990 mm do 1 020 mm
	podczas przechowywania (bez kosza na trawę)	520 mm x 450 mm x 880 mm	520 mm x 460 mm x 885 mm
Napięcie znamionowe		Prąd stały 36 V–40 V maks.	
Masa netto		14,9–17,3 kg	15,6–18,2 kg
Stopień ochrony		IPX4	

- W związku ze stale prowadzonym przez naszą firmę programem badawczo-rozwojowym niniejsze dane mogą ulec zmianom bez wcześniejszego powiadomienia.
- Dane techniczne mogą różnić się w zależności od kraju.
- Masa może być różna w zależności od osprzętu, w tym akumulatora. W tabeli przedstawiona jest najlżejsza i najcięższa konfiguracja, zgodnie z procedurą EPTA 01/2014.

Kompatybilne akumulatory i ładowarki

Akumulator	BL4020 / BL4025 / BL4040 / BL4040F / BL4050F / BL4080F
Ładowarka	DC40RA / DC40RB / DC40RC / DC40WA

- Pewne z wymienionych powyżej akumulatorów i ładowarek mogą być niedostępne w regionie zamieszkania użytkownika.

⚠ OSTRZEŻENIE: Należy używać wyłącznie akumulatorów i ładowarek wymienionych powyżej. Używanie innych akumulatorów i ładowarek może stwarzać ryzyko wystąpienia obrażeń ciała lub pożaru.

⚠ OSTRZEŻENIE: Nie używać z tą maszyną przewodowych źródeł zasilania, takich jak adapter akumulatora lub przenośna jednostka zasilająca. Przewód takiego źródła zasilania może utrudniać pracę, a w konsekwencji może dojść do obrażeń ciała.

Symbole

Poniżej pokazano symbole, jakie mogą być zastosowane na urządzeniu. Przed rozpoczęciem użytkowania należy zapoznać się z ich znaczeniem.

	Zachować szczególną ostrożność.
	Przeczytać instrukcję obsługi.
	Niebezpieczeństwo; uważać na wyrzucane przedmioty.
	Odległość między maszyną a osobami postronnymi musi wynosić co najmniej 15 m.
	Nigdy nie wkładać rąk ani stóp pod kosiarkę, w pobliżu noża kosiarki. Noże kosiarki obracają się nawet po wyłączeniu silnika.
	Ostrzeżenie: Przed rozpoczęciem konserwacji należy odłączyć akumulator.



Dotyczy tylko państw UE
Z uwagi na obecność w sprzęcie niebezpiecznych składników, zużyty sprzęt elektryczny, elektroniczny, akumulatory oraz baterie mogą powodować negatywny wpływ na środowisko i zdrowie ludzi. Nie wyrzucaj urządzeń elektrycznych, elektronicznych lub akumulatorów wraz z odpadami z gospodarstwa domowego! Zgodnie z Europejską Dyrektywą w sprawie zużytego sprzętu elektrycznego i elektronicznego oraz dotyczącą akumulatorów i baterii oraz zużytych akumulatorów i baterii, a także dostosowaniem ich do prawa krajowego, zużyte urządzenia elektryczne, elektroniczne, baterie i akumulatory, należy składować osobno i przekazywać do punktu selektywnej zbiórki odpadów komunalnych, działającego zgodnie z przepisami dotyczącymi ochrony środowiska. Informuje o tym symbol przekreślonego kołowego kontenera na odpady umieszczonego na sprzęcie.



Gwarantowany poziom mocy akustycznej zgodnie z dyrektywą UE w sprawie hałasu na zewnątrz.



Poziom mocy akustycznej zgodnie z australijskimi przepisami dot. redukcji hałasu dla Nowej Południowej Walii

Przeznaczenie

Maszyna ta jest przeznaczona do koszenia trawników.

Hałas

Typowy równoważny poziom dźwięku A określony w oparciu o normę EN62841-4-3:

Model LM003G

Zmierzony poziom mocy akustycznej (L_{WA}): 90 dB (A)
Gwarantowany poziom mocy akustycznej (L_{WA}): 93 dB (A)
Poziom ciśnienia akustycznego (L_{PA}): 83 dB(A)
Niepewność dla poziomu ciśnienia akustycznego (K): 3 dB(A)

Model LM004G

Zmierzony poziom mocy akustycznej (L_{WA}): 90 dB (A)
Gwarantowany poziom mocy akustycznej (L_{WA}): 93 dB (A)
Poziom ciśnienia akustycznego (L_{PA}): 81 dB(A)
Niepewność dla poziomu ciśnienia akustycznego (K): 3 dB(A)

WSKAZÓWKA: Deklarowana wartość emisji hałasu została zmierzona zgodnie ze standardową metodą testową i można ją wykorzystać do porównywania narzędzi.

WSKAZÓWKA: Deklarowaną wartość emisji hałasu można także wykorzystać we wstępnej ocenie narażenia.

⚠️ OSTRZEŻENIE: Nosić ochronniki słuchu.

⚠️ OSTRZEŻENIE: Poziom hałasu wytwarzanego podczas rzeczywistego użytkowania elektronarzędzia może się różnić od wartości deklarowanej w zależności od sposobu użytkowania narzędzia, a w szczególności od rodzaju obrabianego elementu.

⚠️ OSTRZEŻENIE: W oparciu o szacowane narażenie w rzeczywistych warunkach użytkowania należy określić środki bezpieczeństwa w celu zapewnienia ochrony operatora (uwzględniając wszystkie elementy cyklu działania, tj. czas, kiedy narzędzie jest wyłączone i kiedy pracuje na biegu jałowym, a także czas, kiedy jest włączone).

Drgania

Całkowita wartość poziomu drgań (suma wektorów w 3 osiach) określona zgodnie z normą EN62841-4-3:

Model LM003G

Emisja drgań (a_n): 2,5 m/s² lub mniej
Niepewność (K): 1,5 m/s²

Model LM004G

Emisja drgań (a_n): 2,5 m/s² lub mniej
Niepewność (K): 1,5 m/s²

WSKAZÓWKA: Deklarowana wartość poziomu drgań została zmierzona zgodnie ze standardową metodą testową i można ją wykorzystać do porównywania narzędzi.

WSKAZÓWKA: Deklarowaną wartość poziomu drgań można także wykorzystać we wstępnej ocenie narażenia.

⚠️ OSTRZEŻENIE: Drgania wytwarzane podczas rzeczywistego użytkowania elektronarzędzia mogą się różnić od wartości deklarowanej w zależności od sposobu użytkowania narzędzia, a w szczególności od rodzaju obrabianego elementu.

⚠️ OSTRZEŻENIE: W oparciu o szacowane narażenie w rzeczywistych warunkach użytkowania należy określić środki bezpieczeństwa w celu zapewnienia ochrony operatora (uwzględniając wszystkie elementy cyklu działania, tj. czas, kiedy narzędzie jest wyłączone i kiedy pracuje na biegu jałowym, a także czas, kiedy jest włączone).

Deklaracje zgodności

Dotyczy tylko krajów europejskich

Deklaracje zgodności są dołączone jako załącznik A do niniejszej instrukcji obsługi.

OSTRZEŻENIA DOTYCZĄCE BEZPIECZEŃSTWA

Ogólne zasady bezpiecznej eksploatacji elektronarzędzi

⚠️ OSTRZEŻENIE Należy zapoznać się z wszystkimi ostrzeżeniami dotyczącymi bezpieczeństwa, instrukcjami, ilustracjami i danymi technicznymi dołączonymi do tego elektronarzędzia. Niezastosowanie się do wszystkich podanych poniżej instrukcji może prowadzić do porażenia prądem elektrycznym, pożaru i/lub poważnych obrażeń ciała.

Wszystkie ostrzeżenia i instrukcje należy zachować do wykorzystania w przyszłości.

Pojęcie „elektronarzędzie”, występujące w wymienionych tu ostrzeżeniach, odnosi się do elektronarzędzia zasilanego z sieci elektrycznej (z przewodem zasilającym) lub do elektronarzędzia akumulatorowego (bez przewodu zasilającego).

Ostrzeżenia dotyczące bezpieczeństwa dla akumulatorowej kosiarki do trawy

1. Nie należy używać kosiarki do trawy przy złej pogodzie, w szczególności, jeśli istnieje ryzyko wyładowań atmosferycznych. Dzięki temu zmniejszy się ryzyko porażenia piorunem.
2. Należy dokładnie sprawdzić, czy w obszarze, w którym ma być używana kosiarka do trawy, nie ma dzikich zwierząt. Podczas pracy z użyciem kosiarki do trawy może dojść do obrażeń u dzikich zwierząt.
3. Należy dokładnie sprawdzić obszar, w którym ma być używana kosiarka do trawy i usunąć wszystkie kamienie, patyki, druty, kości i inne przedmioty. Wyrzucane przedmioty mogą spowodować obrażenia ciała.
4. Przed użyciem kosiarki zawsze należy wzrokowo sprawdzić, czy ostrze i zespół ostrzy nie są zużyte lub uszkodzone. Zużyte lub uszkodzone części zwiększają ryzyko obrażeń.
5. Regularnie sprawdzać chwytak trawy pod kątem zużycia lub uszkodzeń. Zużyty lub uszkodzony chwytak trawy może zwiększyć ryzyko obrażeń ciała.
6. Osłony powinny być założone. Osłony muszą być sprawne i muszą być prawidłowo zamontowane. Jeśli osłona jest luzna, została uszkodzona lub nie działa prawidłowo, może spowodować obrażenia ciała.
7. Dbać o to, by we wlotach powietrza chłodzącego nie gromadziły się odpadki. Zablokowane wloty powietrza i zanieczyszczenia mogą spowodować przegrzanie lub ryzyko pożaru.
8. Podczas użytkowania kosiarki do trawy należy zawsze nosić antypoślizgowe i ochronne obuwie. Nie wolno używać kosiarki do trawy bez założonego obuwia lub nosząc sandały. Zmniejsza to ryzyko obrażeń stóp na skutek kontaktu z ruchomym ostrzem.
9. Podczas użytkowania kosiarki do trawy zawsze należy nosić długie spodnie. Odsłonięta skóra zwiększa prawdopodobieństwo obrażeń spowodowanych przez wyrzucane przedmioty.
10. Unikać koszenia mokrej trawy. Podczas użytkowania urządzenia należy chodzić, a nie biegać. Pozwala to zmniejszyć ryzyko poślizgu i upadku, co może spowodować obrażenia ciała.
11. Nie należy używać kosiarki do trawy na znacząco stromych zboczach. Pozwala to zmniejszyć ryzyko utraty kontroli, ślizgania się lub upadku, co może spowodować obrażenia ciała.
12. W przypadku pracy na zboczach należy stawiać stabilne kroki i poruszać się zawsze w poprzek zbocza, a nie w górę ani w dół, a podczas zmiany kierunku zachować szczególną ostrożność. Pozwala to zmniejszyć ryzyko utraty kontroli, ślizgania się lub upadku, co może spowodować obrażenia ciała.
13. Zachować szczególną ostrożność w przypadku cofania lub ciągnięcia kosiarki do trawy w swoim kierunku. Zawsze należy zwracać uwagę na otoczenie. Pozwala to zredukować ryzyko wyrwania podczas pracy.

14. Nie dotykać ostrzy ani innych niebezpiecznych ruchomych części, jeśli nadal się poruszają. Zmniejsza to ryzyko obrażeń spowodowanych przez ruchome części.
15. Podczas usuwania zakleszczonego materiału lub czyszczenia kosiarki do trawy należy się upewnić, czy wszystkie przelączniki zasilania są wyłączone i czy akumulator został odłączony. Nieoczekiwane uruchomienie kosiarki do trawy może spowodować poważne obrażenia ciała.

ZACHOWAĆ NINIEJSZE INSTRUKCJE.

⚠️ OSTRZEŻENIE: NIE WOLNO pozwolić, aby wygoda lub rutyna (nabyta w wyniku wielokrotnego używania urządzenia) zastąpiły ścisłe przestrzeganie zasad bezpieczeństwa obsługi.

NIEWŁAŚCIWE UŻYTKOWANIE narzędzia lub niestosowanie się do zasad bezpieczeństwa podanych w niniejszej instrukcji obsługi może prowadzić do poważnych obrażeń ciała.

WAŻNE ZASADY BEZPIECZEŃSTWA

⚠️ OSTRZEŻENIE: Przeczytać wszystkie ostrzeżenia bezpieczeństwa i wszystkie instrukcje.

Niezastosowanie się do wspomnianych ostrzeżeń i instrukcji może doprowadzić do porażenia prądem elektrycznym, pożaru i/lub poważnych obrażeń ciała.

Wszystkie ostrzeżenia i instrukcje należy zachować do wykorzystania w przyszłości.

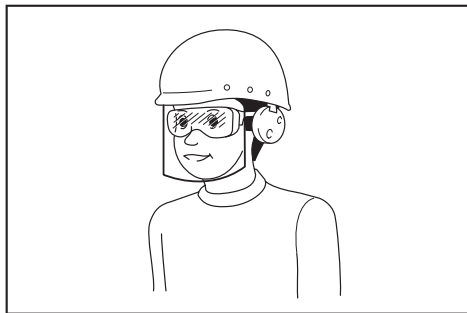
Informacje podstawowe

1. Należy uważnie przeczytać niniejszą instrukcję. Należy zapoznać się z elementami sterowania i zasadami poprawnego użytkowania kosiarki.
2. Nie dopuszczать, aby kosiarka była używana przez dzieci lub osoby, które nie zapoznały się z niniejszą instrukcją. Lokalne przepisy mogą ograniczać wiek użytkownika.
3. Nie wolno użytkować kosiarki, gdy w pobliżu znajdują się inne osoby, zwłaszcza dzieci, oraz zwierzęta.
4. Należy pamiętać, że operator lub użytkownik odpowiada za wypadki lub niebezpieczeństwa zagrażające innym osobom lub ich mieniu.
5. Należy zwracać uwagę, aby dzieci nie bawiły się kosiarką.
6. Kondycja fizyczna – nie używać kosiarki pod wpływem narkotyków, alkoholu lub leków.

Przygotowanie

1. Podczas użytkowania kosiarki zawsze należy nosić odpowiednio mocne obuwie i długie spodnie. Nie wolno używać kosiarki, nie mając na stopach obuwia lub nosząc otwarte sandały. Unikać noszenia luźnej odzieży lub biżuterii, a także wiszących ozdób lub krawatów. Mogą się one zahaczyć o ruchome części.

2. Przed użyciem kosiarkę zawsze należy sprawdzić wzrokowo lub kątem uszkodzonych bądź brakujących lub nieprawidłowo założonych osłon i pokryw.
3. Upewnić się, że w miejscu koszenia nie są obecne inne osoby. Wyłączyć kosiarkę w przypadku pojawienia się jakichkolwiek osób na terenie przeznaczonym do koszenia.
4. Należy zawsze nosić okulary ochronne, aby zabezpieczyć oczy przed urazami podczas użytkowania elektronarzędzi. Okulary ochronne muszą spełniać wymagania normy ANSI Z87.1 w USA, EN 166 w Europie oraz AS/NZS 1336 w Australii/Nowej Zelandii. Przepisy prawne obowiązujące w Australii/Nowej Zelandii wymagają również obowiązkowego stosowania osłony twarzy.



Odpowiedzialność za egzekwowanie używania odpowiednich środków ochrony osobistej przez operatorów narzędzi oraz inne osoby przebywające w bezpośrednim sąsiedztwie obszaru roboczego ponosi pracodawca.

5. Przed przystąpieniem do pracy sprawdzić dokładnie noże lub śruby noży pod kątem ewentualnych pęknięć lub uszkodzeń. Popękane lub uszkodzone noże lub śruby noży należy niezwłocznie wymienić.
6. W celu niedopuszczenia do powstania obrażeń ciała lub uszkodzenia kosiarki przed przystąpieniem do koszenia należy usunąć z terenu koszenia wszystkie przedmioty, takie jak kamienie, druty, butelki, kości oraz większe gałęzie.
7. Przedmioty odrzucone przez nóż kosiarki mogą spowodować poważne obrażenia u osób znajdujących się w pobliżu. Przed każdym przystąpieniem do koszenia należy sprawdzić i oczyścić trawnik ze wszystkich niepożądanych rzeczy.
8. Zwracać uwagę na dziury w ziemi, koleiny, wyboje, kamienie i inne ukryte przeszkody. Nierówny teren może spowodować potknięcia i upadki. Wysoka trawa może ograniczać widoczność przeszkód.
9. **Używać środków ochrony osobistej. Zawsze nosić okulary ochronne.** Odpowiednie środki ochrony, takie jak maska przeciwpyłowa, ochronne obuwie antypoślizgowe, kask czy ochronniki słuchu, dostosowane do panujących warunków, zmniejszają ryzyko obrażeń.

Obsługa

1. Nie sięgać zbyt daleko. Zawsze należy utrzymywać równowagę. Podczas pracy na pochylonym terenie należy zadbać o dobre oparcie dłoń. Podczas użytkowania urządzenia należy chodzić, a nie biegać.
2. Zatrzymać kosiarkę i wyłączyć maszynę oraz upewnić się, że wszystkie części ruchome całkowicie się zatrzymały:
 - gdy operator oddala się od kosiarki;
 - przed usunięciem niedrożności i odblokowaniem kanału wyrzutnika;
 - przed sprawdzeniem, czyszczeniem lub konserwacją kosiarki;
 - po natrafieniu na obcy przedmiot. Przed ponownym uruchomieniem i użytkowaniem kosiarki należy sprawdzić ją pod kątem występowania uszkodzeń i wykonać ewentualne naprawy.
 - gdy kosiarka zaczyna drgać w nietypowy sposób.
3. Nie używać kosiarki z uszkodzonymi osłonami lub pokrywami bądź ze zdjętymi zabezpieczeniami, takimi jak płyta odchylająca i/lub kosz na trawę.
4. Unikać korzystania z kosiarki przy złej pogodzie, w szczególności podczas burzy.
5. Przez cały czas użytkowania kosiarki należy nosić osłonę oczu i solidne buty.
6. Użytkować kosiarkę tylko przy świetle dziennym lub odpowiednio silnym sztucznym oświetleniu.
7. Kosiarkę należy uruchamiać zgodnie z instrukcją, trzymając stopy z dala od noży.
8. Należy chronić stopy i dłonie przed obrażeniami ze strony noży kosiarki.
9. Zawsze należy dbać, aby otwory wentylacyjne nie były zatkane przez zanieczyszczenia.
10. Kosić trawę w poprzek pochyłości; nigdy pod górę ani w dół. Należy zachować szczególną ostrożność przy zmianie kierunku na pochyłościach. Nie wolno kosić trawy na stromych pochyłościach.
11. Zachować szczególną ostrożność w przypadku cofania lub ciągnięcia kosiarki w swoim kierunku.
12. Należy poczekać na zatrzymanie noża w przypadku konieczności przechylenia kosiarki, przejechania nią przez nawierzchnię inną niż trawa lub w przypadku konieczności przetransportowania jej do lub z obszaru użytkowania.
13. Nie przechylać kosiarki podczas uruchamiania silnika, poza przypadkiem gdy kosiarka musi zostać przechylona w celu rozpoczęcia pracy. W takim przypadku nie wolno przechylać kosiarki bardziej, niż jest to absolutnie konieczne; należy unosić tylko tę część kosiarki, która jest oddalona od użytkownika. Przed opuszczeniem kosiarki na podłoże należy zawsze upewnić się, że obydwie ręce są w położeniu roboczym.
14. Nie zbliżać i nie wkładać dłoni ani stóp pod wirujące części. Nie zasłaniać nigdy wylotu wyrzutnika.
15. Nie transportować włączonej kosiarki.
16. Unikać koszenia mokrej trawy.
17. Zawsze trzymać urządzenie mocno za uchwyt.

18. Podczas podnoszenia lub przenoszenia kosiarki nigdy nie chwytąć za noże lub krawędzie tnące.
 19. Trzymać ręce oraz stopy z dala od obracających się noży. Przestroga – po wyłączeniu kosiarki noże obracają się dalej siłą rozpędu.
 20. W przypadku zauważenia jakichkolwiek nieprawidłowości należy natychmiast przerwać pracę. Wyłączyć kosiarkę. Następnie przeprowadzić kontrolę kosiarki.
 21. Nigdy nie podejmować prób regulacji wysokości cięcia podczas pracy kosiarki, jeśli kosiarka jest wyposażona w mechanizm regulacji wysokości cięcia.
 22. Zwolnić dźwignię przełącznika i poczekać na zatrzymanie się noża przed przejściem przez podjazd, ścieżkę, drogę lub inny obszar o nawierzchni żwirowej. W przypadku oddalenia się od kosiarki w celu podniesienia lub usunięcia czegoś z drogi lub z jakiegokolwiek innego powodu przyczyniającego się bezpośrednio do przerwania pracy również należy wyłączyć maszynę.
 23. W przypadku natrafienia przez kosiarkę na obcy przedmiot należy postępować zgodnie z następującą procedurą:
 - Wyłączyć kosiarkę, zwolnić dźwignię przełącznika i poczekać do momentu całkowitego zatrzymania się noża.
 - Wyjąć akumulator.
 - Sprawdzić dokładnie kosiarkę pod kątem występowania jakichkolwiek uszkodzeń.
 - W przypadku jakiegokolwiek uszkodzenia noża należy wymienić go na nowy. Przed ponownym uruchomieniem i kontynuowaniem koszenia należy naprawić wszelkie powstałe uszkodzenia.
 24. Nie uruchamiać kosiarki, stojąc przed wylotem wyrzutnika.
 25. Jeśli kosiarka zaczyna drgać w nietypowy sposób (natychmiast sprawdzić):
 - sprawdzić pod kątem występowania uszkodzenia,
 - wymienić lub naprawić uszkodzone części,
 - sprawdzić pod kątem poluzowanych części i, jeśli takie występują, dokręcić je.
 26. Nigdy nie kierować strumienia wyrzucanego materiału w stronę osób. Unikać wyrzucania materiału na ściany i przeszkody. Wyrzucany materiał może odbić się i polecieć w kierunku operatora. Podczas przejeżdżania przez powierzchnie pokryte żwirem nóż należy zatrzymać.
 27. Kosiarki nie należy pociągać w kierunku wstecznym, chyba że jest to absolutnie niezbędne. Jeśli konieczne jest wycofanie kosiarki spod ogrodzenia lub podobnej przeszkody, przed wycofaniem kosiarki i podczas tej czynności należy rozglądać się za siebie oraz pod nogi.
 28. Przed zdjęciem chwytaka trawy należy wyłączyć silnik i poczekać, aż nóż zatrzyma się całkowicie. Zachować ostrożność, ponieważ po wyłączeniu noże dalej obracają się siłą rozpędu.
 29. Używając maszyny na błotnistym gruncie, mokrym zboczach lub śliskiej nawierzchni, utrzymywać stabilną postawę ciała i uważać, by się nie przewrócić.
 30. Nie zanurzać maszyny w kałużach.
 31. Podczas pracy z maszyną uważać na rury i przewody.
- Konserwacja i przechowywanie**
1. Ze względów bezpieczeństwa należy wymienić zużyte lub uszkodzone części. Używać tylko oryginalnych części zamiennych oraz akcesoriów.
 2. Kosiarkę należy regularnie sprawdzać i poddawać czynnościom konserwacyjnym.
 3. Gdy kosiarka nie jest używana, należy ją przechowywać w bezpiecznym, niedostępnym dla dzieci miejscu.
 4. Wszystkie nakrętki, wkręty i śruby powinny być dokręcone, co pozwoli utrzymać urządzenie w bezpiecznym stanie technicznym.
 5. Regularnie sprawdzać kosz na trawę pod kątem zużycia lub występowania uszkodzeń. Kosiarkę należy przechowywać wyłącznie z opróżnionym koszem na trawę. W celu zachowania bezpieczeństwa zużyty kosz na trawę należy wymienić na nowy, oryginalny kosz.
 6. Używać wyłącznie oryginalnych noży wymienionych w niniejszej instrukcji.
 7. Zachować ostrożność podczas regulacji kosiarki w celu niedopuszczenia do utknięcia palców pomiędzy poruszającymi się nożami oraz zamocowanymi na stałe częściami kosiarki.
 8. Regularnie sprawdzać śrubę mocującą noża pod kątem prawidłowego dokręcenia.
 9. Przed schowaniem kosiarki należy zawsze odczekać, aż ostygnie.
 10. Podczas obsługi noży należy pamiętać, że nawet w przypadku wyłączenia zasilania, noże mogą nadal się poruszać.
 11. Urządzeń zabezpieczających nie należy zdejmować ani modyfikować. Należy regularnie sprawdzać, czy działają poprawnie. Nigdy nie należy robić niczego, co mogłoby uniemożliwić urządzeniu zabezpieczającym pełnienie ich zamierzonej funkcji, ani nie można w żaden sposób ograniczać ochrony, którą zapewniają te urządzenia.
 12. Nie pozostawiać maszyny bez nadzoru na otwartym powietrzu, w deszczu.
 13. Maszyna powinna być przechowywana w miejscu nienarażonym na bezpośrednie nasłonecznienie, deszcz, nadmierny wzrost temperatury i zawiłogocenie.
- Użytkowanie narzędzi akumulatorowych i dbałość o nie**
1. Akumulator należy ładować wyłącznie przy użyciu określonej przez producenta ładowarki. Ładowarka przeznaczona do jednego typu akumulatora może stwarzać zagrożenie pożarem, gdy będzie używana do ładowania innego akumulatora.
 2. Do zasilania elektronarzędzi używać tylko specjalnie do tego celu przeznaczonych akumulatorów. Używanie innych akumulatorów może stwarzać ryzyko wystąpienia obrażeń ciała lub pożaru.

3. **Gdy akumulator nie jest używany, należy zabezpieczyć go przed kontaktem z metalowymi przedmiotami, typu spinacze, monety, klucze, gwoździe, wkręty lub innymi metalowymi drobiazgami, które mogą powodować zwarcie styków akumulatora.** Zwarcie styków akumulatora grozi poparzeniami lub pożarem.
4. **W niewłaściwych warunkach eksploatacji może dojść do wycieku elektrolitu z akumulatora. Nie należy go dotykać. W razie przypadkowego kontaktu należy przemyć skórę wodą. W przypadku dostania się elektrolitu do oczu należy dodatkowo skorzystać z porady lekarza.** Elektrolit z akumulatora może powodować podrażnienia lub poparzenia.
5. **Nie używać uszkodzonego lub przerobionego akumulatora ani narzędzia.** Uszkodzone lub przerobione akumulatory mogą działać w nieprzewidywalny sposób i spowodować pożar, wybuch lub obrażenia ciała.
6. **Nie wystawiać akumulatora ani narzędzia na działanie ognia ani nadmiernej temperatury.** Narażenie na ogień lub temperaturę wyższą niż 130°C może spowodować wybuch.
7. **Przestrzegać wszystkich instrukcji ładowania i nie ładować akumulatora ani narzędzia w temperaturze wykraczającej poza zakres określony w instrukcji.** Nieprawidłowe ładowanie lub temperatury wykraczająca poza określony zakres mogą spowodować uszkodzenie akumulatora oraz wzrost zagrożenia pożarem.

Zasady bezpieczeństwa dotyczące urządzeń elektrycznych i akumulatora

1. **Nie wyrzucać akumulatorów do ognia.** Ogniu może eksplodować. Należy zapoznać się z obowiązującymi lokalnie przepisami, które określają specjalne wytyczne dotyczące utylizacji odpadów.
2. **Nie wolno otwierać ani niszczyć akumulatorów.** Uwolniony elektrolit jest substancją żrącą, która może spowodować uszkodzenie oczu lub skóry. W przypadku połknięcia może być trujący.
3. **Akumulatora nie należy ładować w deszczu ani w wilgotnym otoczeniu.**
4. **Nie ładować akumulatora na zewnątrz.**
5. **Nie dotykać ładowarki, w tym jej wtyczki i styków, mokrymi rękami.**
6. **Nie wymieniać akumulatora w deszczu.**
7. **Nie zymiać zacisków akumulatora cieczami, np. wodą, ani nie zanurzać akumulatora. Nie pozostawiać akumulatora w deszczu ani nie ładować, używać bądź przechowywać akumulatora w wilgotnym lub mokrym miejscu.** Jeśli zacisk zamoczy się lub do wnętrza akumulatora dostanie się ciecz, może dojść do zwarcia akumulatora i przegrzania, zapłonu lub wybuchu.
8. **Po wyjęciu akumulatora z maszyny lub ładowarki należy koniecznie przymocować do akumulatora jego pokrywę i umieścić akumulator w suchym miejscu.**
9. **Nie wymieniać akumulatora mokrymi rękami.**
10. **Unikać niebezpiecznych warunków pracy. Nie wolno używać maszyny w otoczeniu wilgotnym lub mokrym ani narażać jej na działanie deszczu.** Woda, która dostanie się do urządzenia, zwiększa ryzyko porażenia prądem elektrycznym.

11. **W przypadku zamoczenia akumulatora usunąć znajdującą się w środku wodę i wytrzeć suchą szmatką. Przed użyciem całkowicie wysuszyć akumulator, pozostawiając go w suchym miejscu.**

Serwis

1. **Elektronarzędzie powinno być serwisowane przez wykwalifikowany personel, z użyciem wyłącznie oryginalnych części zamiennych.** Zapewni to zachowanie bezpieczeństwa pracy z elektronarzędziem.
2. **Nie wolno naprawiać uszkodzonych akumulatorów.** Naprawa akumulatorów powinna być wykonywana wyłącznie przez producenta lub autoryzowane punkty usługowe.

ZACHOWAĆ NINIEJSZE INSTRUKCJE.

⚠ OSTRZEŻENIE: NIE WOLNO pozwolić, aby wygoda lub rutyna (nabyta w wyniku wielokrotnego używania urządzenia) zastąpiły ścisłe przestrzeganie zasad bezpieczeństwa obsługi.

NIEWŁAŚCIWE UŻYTKOWANIE narzędzia lub niestosowanie się do zasad bezpieczeństwa podanych w niniejszej instrukcji obsługi może prowadzić do poważnych obrażeń ciała.

Ważne zasady bezpieczeństwa dotyczące akumulatora

1. **Przed użyciem akumulatora zapoznać się ze wszystkimi instrukcjami i znakami ostrzegawczymi na (1) ładowarce, (2) akumulatorze i (3) produkcie, w którym będzie używany akumulator.**
2. **Nie rozmontowywać ani modyfikować akumulatora.** Może to spowodować pożar, przegrzanie lub wybuch.
3. **Jeśli czas działania uległ znacznemu skróceniu, należy natychmiast przerwać pracę.** Może bowiem dojść do przegrzania, ewentualnych poparzeń, a nawet eksplozji.
4. **W przypadku przedostania się elektrolitu do oczu, przemyć je czystą wodą i niezwłocznie uzyskać pomoc lekarską.** Może on bowiem spowodować utratę wzroku.
5. **Nie doprowadzać do zwarcia akumulatora:**
 - (1) **Nie dotykać styków materiałami przewodzącymi prąd.**
 - (2) **Unikać przechowywania akumulatora w pojemniku z metalowymi przedmiotami, takimi jak gwoździe, monety itp.**
 - (3) **Chronić akumulator przed deszczem lub wodą.**
Zwarcie prowadzi do przepływu prądu elektrycznego o dużym natężeniu i przegrzania akumulatora, co w konsekwencji może grozić poparzeniami a nawet awarią urządzenia.
6. **Narzędzia i akumulatora nie wolno przechowywać ani używać w miejscach, w których temperatura osiąga bądź przekracza 50°C (122°F).**
7. **Akumulatorów nie wolno spalać, również tych poważnie uszkodzonych lub całkowicie zużytych. Akumulator może eksplodować w ogniu.**

8. **Nie należy przecinać ani zgniatać akumulatora, wbijać w niego gwoździ, rzucać nim, upuszczać, ani uderzać akumulatorem o twarde objekty.** Takie działania może spowodować pożar, przegrzanie lub wybuch.
9. **Nie wolno używać uszkodzonego akumulatora.**
10. **Stanowiące wyposażenie akumulatory litowo-jonowe podlegają przepisom dotyczącym produktów niebezpiecznych.**
Na potrzeby transportu komercyjnego, np. świadzonego przez firmy trzecie czy spedycyjne, należy przestrzegać specjalnych wymagań w zakresie pakowania i oznaczania etykietami. Przygotowanie produktu do wysyłki wymaga skonsultowania się ze specjalistą ds. materiałów niebezpiecznych. Należy także przestrzegać przepisów krajowych, które mogą być bardziej szczegółowe. Zakleić taśmą lub zaślepić otwarte styki akumulatora oraz zabezpieczyć go, aby nie mógł się prześluszać w opakowaniu.
11. **Jeśli zajdzie konieczność utylizacji akumulatora, należy wyjąć go z narzędzia i przekazać w bezpieczne miejsce. Postępować zgodnie z przepisami lokalnymi dotyczącymi utylizacji akumulatorów.**
12. **Używać akumulatorów tylko z produktami określonymi przez firmę Makita.** Zastosowanie akumulatorów w niezgodnych produktach może spowodować pożar, przegrzanie, wybuch lub wyciek elektrolitu.
13. **Jeśli narzędzie nie będzie używane przez dłuższy czas, należy wyjąć z niego akumulator.**
14. **Przed użyciem akumulatora i po jego użyciu akumulator może pozostawać nagrzany, co może spowodować poparzenia lub poparzenia w niskiej temperaturze. Z gorącym akumulatorem należy obchodzić się ostrożnie.**
15. **Nie należy dotykać styku narzędzia bezpośrednio po jego użyciu, ponieważ może on być na tyle gorący, że spowoduje oparzenia.**
16. **Nie należy dopuszczać, aby wióry, kurz lub brud gromadziły się na stykach, w otworach i rowkach akumulatora.** Może to doprowadzić do przegrzania, pożaru, wybuchu lub uszkodzenia narzędzia lub akumulatora, co może spowodować oparzenia lub obrażenia ciała.
17. **Jeśli narzędzie nie jest przeznaczone do użytku w pobliżu linii wysokiego napięcia, nie należy korzystać z akumulatora w ich sąsiedztwie.** Może to spowodować nieprawidłowości w działaniu lub uszkodzenie narzędzia lub akumulatora.
18. **Przechowywać akumulator w miejscu niedostępnym dla dzieci.**

ZACHOWAĆ NINIEJSZE INSTRUKCJE.

▲PRZESTROGA: Używać wyłącznie oryginalnych akumulatorów firmy Makita. Używanie nieoryginalnych akumulatorów firm innych niż Makita lub akumulatorów, które zostały zmodyfikowane, może spowodować wybuch akumulatora i pożar, obrażenia ciała oraz zniszczenie mienia. Stanowi to również naruszenie warunków gwarancji firmy Makita dotyczących narzędzia i ładowarki.

Wskazówki dotyczące zachowania maksymalnej trwałości akumulatora

1. **Akumulator należy naładować zanim zostanie do końca rozładowany.** Po zauważeniu spadku mocy narzędzia należy przerwać pracę i naładować akumulator.
2. **Nie wolno ładować powtórnie w pełni naładowanego akumulatora.** Przeladowanie akumulatora skraca jego trwałość.
3. **Akumulator należy ładować w temperaturze pokojowej w przedziale 10–40°C (50–104°F).** W przypadku gorącego akumulatora przed przystąpieniem do ładowania należy poczekać, aż ostygnie.
4. **Jeśli akumulator nie jest używany, należy go wyjąć z narzędzia lub ładowarki.**
5. **Akumulatory niklowo-wodorkowe należy naładować po okresie długiego nieużytkowania (dłuższego niż sześć miesięcy).**

MONTAŻ

▲OSTRZEŻENIE: Przed przystąpieniem do jakichkolwiek czynności związanych z obsługą maszyny należy koniecznie upewnić się, że akumulator został wyjęty. Jeśli akumulator nie zostanie wyjęty, może to spowodować poważne obrażenia ciała w wyniku przypadkowego uruchomienia.

▲OSTRZEŻENIE: Nigdy nie włączać kosiarki, jeśli nie jest ona całkowicie zmontowana. Obsługa częściowo zmontowanej maszyny może prowadzić do poważnych obrażeń ciała w wyniku nieoczekiwanego uruchomienia.

Zakładanie pokrywy akumulatora

▲OSTRZEŻENIE: Nie wolno wkładać akumulatora przed założeniem pokrywy akumulatora. Niezastosowanie się do powyższej zasady może prowadzić do poważnych obrażeń ciała.

Przed przystąpieniem do pracy założyć całkowicie pokrywę akumulatora. Pokrywa akumulatora chroni kosiarkę oraz akumulatora przed błotem, brudem i wodą.

1. Założyć pokrywę akumulatora, wyrównując występy na kosiarce z otworami w pokrywie akumulatora.
 - ▶ **Rys.1:** 1. Występ 2. Otwór 3. Pokrywa akumulatora
2. Położyć ręce po środku pokrywy akumulatora i docisnąć ją.
 - ▶ **Rys.2**
3. Należy upewnić się, że pokrywa akumulatora została prawidłowo przymocowana i zablokowana za pomocą dźwigni blokady.
 - ▶ **Rys.3:** 1. Dźwignia blokady

Zamontowanie uchwytu

⚠ PRZESTROGA: Uchwyty muszą być poprawnie zamontowane.

UWAGA: Podczas montowania uchwytów umieścić przewód w taki sposób, aby nie został zakleszczony pomiędzy uchwytami. Jeśli przewód jest uszkodzony, przełącznik kosiarki może nie działać.

1. Umieścić oba końce dolnego uchwytu w rowkach korpusu kosiarki, a następnie dokręcić dźwignie zaciskowe i złożyć je.

► **Rys.4:** 1. Dźwignia zaciskowa 2. Dolny uchwyt

Dźwignie zaciskowe muszą być tak dociśnięte, by pierścienie na dźwigniach nie były widoczne.

► **Rys.5:** 1. Pierścien

WSKAZÓWKA: Po złożeniu dźwigni zaciskowych należy upewnić się, że nie ma szczeliny pomiędzy dolnym uchwytem i korpusem kosiarki.

► **Rys.6**

2. Ustawić otwór w górnym uchwycie naprzeciwko otworu w dolnym uchwycie, następnie włożyć śrubę od zewnątrz, po czym dokręcić nakrętki motylkowe od wewnątrz. Wykonać tę samą procedurę po drugiej stronie.

► **Rys.7:** 1. Nakrętka motylkowa 2. Śruba

WSKAZÓWKA: Górny uchwyt należy trzymać pewnie, aby nie wypadł z rąk.

Demontaż przystawki do mulczowania

1. Otworzyć tylną pokrywę.

► **Rys.8:** 1. Tylna pokrywa

2. Przytrzymać przystawkę do mulczowania za uchwyt, a następnie wyjąć ją z korpusu kosiarki w sposób pokazany na ilustracji.

► **Rys.9:** 1. Uchwyt 2. Przystawka do mulczowania

Zakładanie i zdejmowanie kosza na trawę

W celu zamontowania kosza na trawę należy wykonać poniższe czynności.

1. Otworzyć tylną pokrywę.

► **Rys.10:** 1. Tylna pokrywa

2. Chwycić za uchwyt kosza na trawę, a następnie zaczepić kosz na trawę na kołku wystającym z korpusu kosiarki, tak jak przedstawiono to na rysunku.

► **Rys.11:** 1. Kołek 2. Uchwyt 3. Kosz na trawę

Aby zdjąć kosz na trawę, otworzyć tylną pokrywę i wyjąć kosz na trawę, chwytając za jego uchwyt.

Zakładanie przystawki do mulczowania

1. Otworzyć tylną pokrywę i zdjąć kosz na trawę.

► **Rys.12:** 1. Tylna pokrywa 2. Kosz na trawę

2. Przytrzymać przystawkę do mulczowania za uchwyt, a następnie wprowadzić ją do korpusu kosiarki, wciskając do końca zakresu ruchu w sposób pokazany na ilustracji.

► **Rys.13:** 1. Uchwyt 2. Przystawka do mulczowania

OPIS DZIAŁANIA

⚠ PRZESTROGA: Przed przystąpieniem do regulacji lub kontroli działania maszyny upewnić się, że jest ona wyłączona oraz że akumulator został wyjęty.

Wkładanie i wyjmowanie akumulatora

⚠ PRZESTROGA: Przed włożeniem lub wyjęciem akumulatora należy zawsze wyłączyć maszynę.

⚠ PRZESTROGA: Podczas wkładania lub wyjmowania akumulatora należy mocno trzymać maszynę i akumulator. W przeciwnym razie mogą się one wyslizgnąć z rąk, powodując uszkodzenie maszyny lub akumulatora oraz obrażenia ciała.

⚠ PRZESTROGA: Przed użyciem upewnić się, że pokrywa akumulatora została zablokowana. W przeciwnym razie błoto, kurz lub woda mogą przyczynić się do uszkodzenia urządzenia lub akumulatora.

⚠ PRZESTROGA: Akumulator należy włożyć do końca, tak aby czerwony wskaźnik nie był widoczny. W przeciwnym razie może on przypadkowo wypaść z maszyny, powodując obrażenia u operatora lub znajdujących się w pobliżu osób.

⚠ PRZESTROGA: Nie wkładać akumulatora na siłę. Jeśli akumulator nie daje się swobodnie wsunąć, oznacza to, że został włożony nieprawidłowo.

⚠ PRZESTROGA: Podczas wkładania lub wyjmowania akumulatora należy mocno trzymać pokrywę akumulatora.

W celu włożenia akumulatora:

1. Pociągnąć dźwignię blokady do góry, a następnie otworzyć pokrywę akumulatora.

► **Rys.14:** 1. Pokrywa akumulatora 2. Dźwignia blokady

2. Wyrównaj występ akumulatora ze szczeliną w kosiarce i wsuń akumulator, aż zatrzasknie się na swoim miejscu.

► **Rys.15:** 1. Akumulator

3. Dokładnie zamknij pokrywę akumulatora.

W celu wyjęcia akumulatora z kosiarki:

1. Pociągnij dźwignię blokady do góry i otwórz pokrywę akumulatora.

2. Wyciągnij akumulator z kosiarki, przesuwając przycisk znajdujący się w przedniej jego części.

3. Zamknij pokrywę akumulatora.

Układ zabezpieczenia maszyny/akumulatora

Maszyna jest wyposażona w układ zabezpieczenia maszyny/akumulatora. Układ automatycznie odcina zasilanie silnika w celu wydłużenia trwałości maszyny i akumulatora. Maszyna zostanie automatycznie zatrzymana podczas pracy w następujących sytuacjach związanych z maszyną lub akumulatorem.

Zabezpieczenie przed przeciążeniem

W przypadku korzystania z urządzenia/akumulatora w sposób powodujący pobór nadmiernie wysokiego prądu urządzenie zostanie automatycznie zatrzymane, a lampka wskaźnika będzie świecić na czerwono. W takiej sytuacji należy wyłączyć urządzenie i zaprzestać wykonywania czynności powodującej jego przeciążenie. Następnie należy włączyć urządzenie w celu ponownego uruchomienia.

Zabezpieczenie przed przegrzaniem

W przypadku przegrzania urządzenie zostanie automatycznie zatrzymane, a lampka wskaźnika zacznie świecić na czerwono. Przed ponownym włączeniem należy poczekać, aż maszyna ostygnie.

Zabezpieczenie przed nadmiernym rozładowaniem

W przypadku niskiego stanu naładowania akumulatora urządzenie zostanie automatycznie zatrzymane, a lampka wskaźnika zacznie świecić na czerwono. Jeśli urządzenie nie działa pomimo włączenia przełączników, należy wyjąć akumulator z urządzenia i naładować go.

Inne zabezpieczenia

Układ zabezpieczający jest także przeznaczony do ochrony przed innymi czynnikami, które mogłyby doprowadzić do uszkodzenia maszyny i umożliwiają automatyczne zatrzymanie maszyny. Należy wykonać poniższe kroki, aby usunąć przyczyny tymczasowego wstrzymania lub zatrzymania pracy maszyny.

1. Wyłączyć maszynę, a następnie włączyć ją ponownie w celu zrestartowania.
2. Naładować akumulatory lub zastąpić je (lub jeden z nich) naładowanymi akumulatorami.
3. Pozostawić narzędzie i akumulator(y) do ostygnięcia.

Jeśli przywrócenie działania układu zabezpieczającego nie przynosi pozytywnych efektów, należy skontaktować się z centrum serwisowym Makita.

UWAGA: Jeśli maszyna zostanie zatrzymana z przyczyn innych niż opisane powyżej, należy zapoznać się z sekcją dotyczącą rozwiązywania problemów.

WSKAZÓWKA: To, w jakim momencie zaświeci się lampka, zależy od temperatury w miejscu pracy oraz od stanu akumulatora.

Wskazanie stanu naładowania akumulatora

► **Rys.16:** 1. Lampka wskaźnika

W przypadku obniżenia stanu naładowania akumulatora lampka wskaźnika zacznie migać na czerwono. Jeśli urządzenie będzie nadal używane, nastąpi jego zatrzymanie, a lampka wskaźnika zaświeci się na czerwono. W takiej sytuacji należy naładować akumulator.

Wskazanie stanu naładowania akumulatora

Nacisnąć przycisk kontrolny na akumulatorze w celu wyświetlenia stanu naładowania akumulatora. Lampki wskaźnika zaświecą się przez kilka sekund.

► **Rys.17:** 1. Lampki wskaźnika 2. Przycisk kontrolny

Lampki wskaźnika			Pozostała energia akumulatora
Świeci się	Wyłączony	Miga	
			75–100%
			50–75%
			25–50%
			0–25%
			Naładować akumulator.
			Akumulator może nie działać poprawnie.

WSKAZÓWKA: Zależnie od warunków użytkowania i temperatury otoczenia, wskazywany poziom może nieznacznie się różnić od rzeczywistego stanu naładowania akumulatora.

WSKAZÓWKA: Pierwsza (skrajnie po lewej stronie) lampka wskaźnika miga, gdy układ zabezpieczenia akumulatora jest aktywny.

Działanie przełącznika

⚠ OSTRZEŻENIE: Przed włożeniem akumulatora należy zawsze sprawdzić, czy dźwignia przełącznika działa prawidłowo i powraca do swojego położenia wyjściowego po jej zwolnieniu. Korzystanie z maszyny z nieprawidłowo działającym przełącznikiem może doprowadzić do utraty kontroli nad maszyną oraz poważnych obrażeń ciała.

WSKAZÓWKA: Bez naciśnięcia przycisku przełącznika kosiarka nie zostanie uruchomiona, nawet jeśli dźwignia przełącznika jest pociągnięta.

WSKAZÓWKA: Kosiarka może nie uruchomić się z powodu przeciążenia spowodowanego koszeniem zbyt długiej lub zbyt gęstej trawy. W takim przypadku należy zwiększyć wysokość koszenia.

Maszyna jest wyposażona w przycisk przełącznika. W przypadku zauważenia nieprawidłowego działania przycisku przełącznika należy niezwłocznie przerwać pracę i skontaktować się z lokalnym autoryzowanym punktem serwisowym firmy Makita w celu przeprowadzenia kontroli.

1. Zamontować akumulator, a następnie dokładnie zamknąć pokrywę akumulatora.
2. Pociągnąć do siebie dźwignię przełącznika, jednocześnie przytrzymując przycisk przełącznika. Zwolnij przycisk przełącznika po uruchomieniu silnika.

► **Rys.18:** 1. Przycisk przełącznika 2. Dźwignia przełącznika

3. Aby wyłączyć silnik, zwolnij dźwignię przełącznika.

Regulacja wysokości koszenia

⚠ OSTRZEŻENIE: Nie wkładać rąk ani nóg pod kosiarkę podczas regulacji wysokości koszenia.

⚠ OSTRZEŻENIE: Przed rozpoczęciem pracy zawsze należy upewnić się, że dźwignia dobrze leży w rowku.

Wysokość koszenia można regulować w zakresie od 20 mm do 75 mm.

Wyłączyć maszynę, a następnie odchylić dźwignię regulacji wysokości koszenia na zewnątrz, oddalając ją od korpusu kosiarki, po czym ustawić ją na żądanej wysokości koszenia.

► **Rys.19:** 1. Dźwignia regulacji wysokości koszenia

W poniższej tabeli podano zależność między liczbą na korpusie kosiarki a przybliżoną wysokością koszenia.

Liczba	Wysokość koszenia
1	20 mm
2	29 mm
3	36 mm
4	44 mm
5	53 mm
6	61 mm
7	69 mm
8	75 mm

WSKAZÓWKA: Podane wysokości koszenia należy traktować jako ogólne wytyczne. Rzeczywista wysokość trawnika może się nieco różnić od ustawionej w zależności od stanu trawnika oraz terenu.

WSKAZÓWKA: Przetestować koszenie trawy w mniej widocznym miejscu w celu ustawienia wymaganej wysokości koszenia.

Wskaźnik poziomu trawy

► **Rys.20:** 1. Wskaźnik poziomu trawy

Wskaźnik poziomu trawy wskazuje ilość skoszonej trawy.

- Jeśli kosz na trawę nie jest całkowicie pełen, wskaźnik będzie pływał podczas koszenia.
- Jeśli kosz na trawę zostanie całkowicie zapełniony, wskaźnik przestanie pływać podczas koszenia. W takim przypadku należy niezwłocznie przerwać koszenie i opróżnić kosz. Po opróżnieniu kosza oczyścić go, tak aby siatka przepuszczała powietrze.

WSKAZÓWKA: Wskaźnik ten stanowi wyłącznie wskazanie zgrubne. W zależności od warunków wewnątrz kosza wskaźnik ten może nie działać prawidłowo.

Regulacja wysokości uchwytu

⚠ PRZESTROGA: Przed wyjęciem śrub mocno chwycić górny uchwyt. W innym przypadku, upadek uchwytu może spowodować obrażenia.

Uchwyt można ustawić na dwóch poziomach wysokości.

1. Poluzować nakrętki motylkowe uchwytu, a następnie wyjąć śruby i nakrętki motylkowe.

► **Rys.21:** 1. Nakrętka motylkowa

2. Wyregulować wysokość uchwytu.

3. Włożyć śruby od zewnątrz, po czym dokręcić nakrętki motylkowe od wewnątrz.

Korzystanie z przystawki do mulczowania

Przystawka do mulczowania umożliwia pozostawienie skoszonej trawy na ziemi, bez zbierania jej w koszu. Aby korzystać z maszyny z przystawką do mulczowania, należy wyjąć kosz na trawę.

UWAGA: Gdy maszyna jest używana z przystawką do mulczowania, całkowita długość trawy po skoszeniu musi wynosić co najmniej 30 mm, a długość odcinanego odcinka musi wynosić nie więcej niż 15 mm.

► **Rys.22:** (1) 30 lub więcej (2) 15 mm lub mniej

OBSŁUGA

Koszenie

▲OSTRZEŻENIE: Przed przystąpieniem do koszenia należy usunąć gałęzie oraz kamienie z terenu przeznaczonego do koszenia. Następnie należy usunąć chwasty.

▲OSTRZEŻENIE: Podczas koszenia należy zawsze nosić gogle ochronne lub okulary ochronne z bocznymi osłonami.

▲PRZESTROGA: Jeśli ścięta trawa lub ciało obce utknie wewnątrz korpusu kosiarki, należy przed usunięciem takiej przeszkody koniecznie wyjąć akumulatory oraz założyć rękawice.

UWAGA: Tego urządzenia należy używać jedynie do koszenia trawy. Za pomocą tego urządzenia nie wolno kosić chwastów.

► Rys.23

Podczas koszenia mocno trzymać uchwyt kosiarki obiema rękami.

Zalecana prędkość koszenia to około 2 do 4 sekund na 1 metr.

► Rys.24

WSKAZÓWKA: W przypadku wysokiej lub gęstej trawy, jeśli po koszeniu wysokość trawnika jest nierówna, efekt końcowy nie jest zadowalający lub w trakcie koszenia spada prędkość obrotowa silnika, należy zmniejszyć prędkość koszenia poniżej zalecanej w niniejszym podręczniku lub zwiększyć wysokość koszenia.

Środkowe linie przednich kół określają szerokość koszenia. Kosić trawnik pasami, jako odniesienia używając tych linii. Aby zapewnić równe skoszenie trawnika, od 1/2 do 1/3 szerokości pasów powinno się nakładać.

► **Rys.25:** 1. Szerokość koszenia 2. Obszar nakładania 3. Linia środkowa

Za każdym razem zmieniać kierunek koszenia, aby zapobiec powstaniu wzoru spowodowanego kształtowaniem trawy w tym samym kierunku.

► Rys.26

Okresowo sprawdzać zapelnienie kosza na trawę. Usuwać trawę zanim kosz całkowicie się zapełni. Przed każdą okresową kontrolą należy zatrzymać i wyłączyć maszynę.

UWAGA: Używanie kosiarki z pełnym koszem na trawę uniemożliwia płynny ruch obrotowy noża oraz dodatkowo obciąża silnik, co może przyczynić się do jego uszkodzenia.

Koszenie wysokiej trawy

Nie zaleca się koszenia wysokiej trawy za jednym razem. W takim przypadku należy kosić trawę etapami. Kosić co jeden lub dwa dni, aż do uzyskania równomiernego trawnika.

WSKAZÓWKA: Mocne skrócenie wysokiej trawy za jednym razem może spowodować jej uschnięcie. Skoszona trawa może także zablokować się w kosiarce.

Opróżnianie kosza na trawę

▲OSTRZEŻENIE: W celu zmniejszenia ryzyka wypadku regularnie sprawdzać kosz na trawę pod kątem ewentualnych uszkodzeń lub pogorszenia wytrzymałości materiału. Wymienić kosz na trawę w razie potrzeby.

1. Zwolnij dźwignię przełącznika.
2. Wyjmij akumulator.
3. Otwórz tylną pokrywę i wyjmij kosz na trawę, chwytając za jego uchwyt.
► **Rys.27:** 1. Tylna pokrywa 2. Uchwyt
4. Opróżnij kosz na trawę.

KONSERWACJA

▲OSTRZEŻENIE: Przed przekazaniem maszyny do przechowywania, przeniesieniem jej lub przystąpieniem do kontroli bądź konserwacji zawsze należy upewnić się, że akumulator jest wyjęty.

▲OSTRZEŻENIE: Przed przystąpieniem do przeglądu lub prac konserwacyjnych należy założyć rękawice.

▲OSTRZEŻENIE: Podczas kontroli lub konserwacji należy zawsze nosić gogle ochronne lub okulary ochronne z bocznymi osłonami.

UWAGA: Nie stosować benzyny, rozpuszczalników, alkoholu itp. środków. Mogą one powodować odbarwienia, odkształcenia lub pęknięcia.

W celu zachowania odpowiedniego poziomu BEZPIECZEŃSTWA i NIEZAWODNOŚCI produktu wszelkie naprawy i różnego rodzaju prace konserwacyjne lub regulacje powinny być przeprowadzane przez autoryzowany lub fabryczny punkt serwisowy narzędzi Makita, zawsze z użyciem oryginalnych części zamiennych Makita.

Konserwacja

1. Wyjąć akumulator, a następnie zamknąć pokrywę akumulatora.
2. Położyć kosiarkę na boku. Usunąć resztki trawy nagromadzone pod kosiarką.
3. Kierować wodę na spód maszyny, tam gdzie przymocowany jest nóż.

UWAGA: Nie myć maszyny wodą pod wysokim ciśnieniem.

4. Sprawdzić, czy wszystkie nakrętki, śruby, wkręty itp. są dobrze dokręcone.
5. Sprawdź, czy części ruchome nie są uszkodzone, złamane ani zużyte. Uszkodzone lub brakujące części należy naprawić lub wymienić.
6. Kosiarkę należy przechowywać w bezpiecznym, niedostępnym dla dzieci miejscu.

Przechowywanie

▲PRZESTROGA: Podczas ustawiania maszyny w pionie należy umieścić ją na płaskiej i stabilnej powierzchni. Jeśli maszyna zostanie ustawiona na niestabilnej powierzchni, może się wyrzucić i spowodować obrażenia.

Przechowywać kosiarkę w chłodnym, suchym i zamkniętym miejscu. Nie przechowywać kosiarki ani ładowarki w miejscu, w którym temperatura może osiągnąć lub przekroczyć 40°C.

1. Wyjąć akumulator.
2. Zdjąć kosz na trawę.
3. Rozłożyć dźwignie zaciskowe, złożyć uchwyt, a następnie złożyć dźwignie zaciskowe.
► **Rys.28:** 1. Dźwignia zaciskowa
4. Poluzować nakrętki motylkowe uchwytu, a następnie złożyć górny uchwyt.
► **Rys.29:** 1. Nakrętka motylkowa 2. Górny uchwyt
5. Ustawić maszynę w pozycji pionowej.

WSKAZÓWKA: Podczas ustawiania kosiarki w pozycji pionowej nie chwycić tylko za uchwyt; należy przytrzymać za korpus kosiarki i za uchwyt.

6. Kosz na trawę należy przechowywać pomiędzy uchwytami a obudową kosiarki.
► **Rys.30:** 1. Kosz na trawę

Przenoszenie kosiarki

▲PRZESTROGA: Przed przeniesieniem kosiarki należy upewnić się, że akumulator został wyjęty.

W celu przeniesienia kosiarki chwycić za tylną rękkość i dolny uchwyt z przodu urządzenia, tak jak przedstawiono to na rysunku.

- **Rys.31:** 1. Dolny uchwyt 2. Tylna rękkość

Zakładanie i zdejmowanie noża kosiarki

▲OSTRZEŻENIE: Przed założeniem i zdjęciem noża zawsze należy wyjąć akumulator. Jeśli akumulator nie zostanie wyjęty, może dojść do poważnych obrażeń ciała.

▲OSTRZEŻENIE: Nóż porusza się siłą rozprędu jeszcze przez kilka sekund po zwolnieniu przełącznika. Nie przystępować do jakichkolwiek czynności, dopóki nóż nie zatrzyma się całkowicie.

▲OSTRZEŻENIE: Podczas wykonywania czynności wymagających kontaktu z nożem należy nosić rękawice ochronne.

UWAGA: Podczas zdejmowania lub zakładania noża kosiarki należy używać klucza nasadowego dostarczonego wraz z maszyną.

Zdejmowanie noża kosiarki

1. Połóż kosiarkę na boku w taki sposób, aby dźwignia regulacji wysokości koszenia znajdowała się na górze.
2. Aby zablokować obrót noża, wsuń kolek lub narzędzie (np. śrubokręt) w otwór w korpusie kosiarki.
3. Odkręć śrubę w lewo za pomocą klucza.
► **Rys.32:** 1. Nóż kosiarki 2. Klucz 3. Śrubokręt 4. Otwór
4. Wymontuj kolejno śrubę i nóż kosiarki.
► **Rys.33:** 1. Podpora noża 2. Nóż kosiarki 3. Śruba

Zamontowanie noża kosiarki

Aby założyć nóż kosiarki, należy wykonać czynności procedury zakładania w odwrotnej kolejności.

▲OSTRZEŻENIE: Nóż kosiarki należy zakładać z zachowaniem ostrożności. Nóż ma górną i dolną stronę.

▲OSTRZEŻENIE: Dokręć mocno śrubę w prawo w celu zamocowania noża.

▲OSTRZEŻENIE: Upewnij się, że nóż kosiarki oraz wszystkie elementy mocujące są zamontowane prawidłowo i dobrze dokręcone.

▲OSTRZEŻENIE: Podczas wymiany noża należy zawsze postępować zgodnie z instrukcją opisaną w niniejszej instrukcji.

UWAGA: Podczas dokręcania śruby mocującej nóż kosiarki należy zastosować moment dokręcenia w zakresie 19–29 N•m (są to wartości referencyjne).

ROZWIĄZYWANIE PROBLEMÓW

Przed oddaniem maszyny do naprawy należy najpierw przeprowadzić samodzielną kontrolę. W razie napotkania problemu, który nie został wyjaśniony w instrukcji, nie należy próbować demontować maszyny we własnym zakresie. Należy natomiast zlecić naprawę w autoryzowanym centrum serwisowym firmy Makita; zawsze z użyciem oryginalnych części zamiennych Makita.

Nieprawidłowe działanie	Prawdopodobna przyczyna (usterka)	Rozwiązanie
Kosiarka nie uruchamia się.	Nie włożono akumulatora.	Włożyć naładowany akumulator.
	Problem z akumulatorem (za niskie napięcie)	Naładować akumulator. Jeśli naładowanie akumulatora nie przynosi skutku, należy go wymienić.
Silnik wyłącza się po krótkim czasie.	Niski poziom naładowania akumulatora.	Naładować akumulator. Jeśli naładowanie akumulatora nie przynosi skutku, należy go wymienić.
	Wysokość cięcia jest zbyt niska.	Zwiększyć wysokość cięcia.
Silnik nie może osiągnąć maksymalnych obrotów.	Akumulator jest włożony nieprawidłowo.	Włożyć akumulator zgodnie z opisem w niniejszej instrukcji.
	Spada moc akumulatora.	Naładować akumulator. Jeśli naładowanie akumulatora nie przynosi skutku, należy go wymienić.
	Układ napędowy nie działa prawidłowo.	Zlecić naprawę w lokalnym autoryzowanym punkcie serwisowym.
Nóż kosiarki nie obraca się: ⇒ natychmiast wyłączyć kosiarkę!	Obcy przedmiot, taki jak gałąź, zakleszczył się w pobliżu noża.	Usunąć przeszkodę.
	Układ napędowy nie działa prawidłowo.	Zlecić naprawę w lokalnym autoryzowanym punkcie serwisowym.
Nietypowe drgania: ⇒ natychmiast wyłączyć kosiarkę!	Nóż jest niewyważony; nadmiernie lub nierówno zużyty.	Wymienić nóż.

AKCESORIA OPCJONALNE

⚠ PRZESTROGA: Zaleca się stosowanie wymienionych akcesoriów i przystawek z maszyną Makita opisaną w niniejszej instrukcji. Stosowanie innych akcesoriów lub przystawek może być przyczyną obrażeń ciała. Akcesoriów lub przystawek należy używać tylko zgodnie z ich przeznaczeniem.

W razie potrzeby wszelkiej pomocy i szczegółowych informacji na temat niniejszych akcesoriów udziela Państwu lokalne punkty serwisowe Makita.

- Nóż kosiarki
- Oryginalny akumulator i ładowarka firmy Makita

WSKAZÓWKA: Niektóre pozycje znajdujące się na liście mogą być dołączone do pakietu urządzenia jako akcesoria standardowe. Mogą to być różne pozycje, w zależności od kraju.

RÉSZLETES LEÍRÁS

Típus:		LM003G	LM004G
Nyírási szélesség (kés átmérője)		380 mm	430 mm
Üresjárat fordulatszám		3 800 min ⁻¹	
A csere fűnyírőkés alkatrész azonosítója	Egyenes fűnyírőkés	1913G8-3	1913H4-8
	Mulcsozókés	1913H0-6	1913H6-4
Méretek (H x SZ x M)	működés közben	H: 1 370 mm - 1 420 mm SZ: 450 mm M: 990 mm - 1 020 mm	H: 1 390 mm - 1 440 mm SZ: 460 mm M: 990 mm - 1 020 mm
	tárolva (a fűgyűjtő kosár nélkül)	520 mm x 450 mm x 880 mm	520 mm x 460 mm x 885 mm
Névleges feszültség		36 V - 40 V max., egyenáram	
Nettó tömeg		14,9 - 17,3 kg	15,6 - 18,2 kg
Védettségi fokozat		IPX4	

- Folyamatos kutató- és fejlesztőprogramunk eredményeként az itt felsorolt tulajdonságok figyelmeztetés nélkül megváltozhatnak.
- A tulajdonságok országról országra különbözhetnek.
- A súly a felszerelt tartozékoktól függően változhat, az akkumulátort is beleértve. Az EPTA 01/2014 eljárás szerint meghatározott legnehezebb, illetve legkönnyebb kombináció a táblázatban látható.

Alkalmazható akkumulátorok és töltők

Akkumulátor	BL4020 / BL4025 / BL4040 / BL4040F / BL4050F / BL4080F
Töltő	DC40RA / DC40RB / DC40RC / DC40WA

- Lakóhelyétől függően előfordulhat, hogy a fent felsorolt akkumulátorok és töltők nem érhetőek el.

▲ FIGYELMEZTETÉS: Csak a fentiekben felsorolt akkumulátorokat és töltőket használja. Bármilyen más akkumulátor vagy töltő használata sérüléseket és/vagy tüzet okozhat.

▲ FIGYELMEZTETÉS: Ne használjon ezzel a géppel vezetékess tápegységet, például akkumulátoradap-tert vagy hordozható tápegységet. Az ilyen tápegység kábele akadályozhatja a munkát, és személyi sérülést okozhat.

Szimbólumok

A következőkben a berendezésen esetleg használt jelképek láthatók. A szerszám használata előtt bizonyosodjon meg arról hogy helyesen értelmezi a jelentésüket.

	Legyen különösen elővigyázatos és figyelmes.
	Olvassa el a használati utasítást.
	Veszély: fokozottan ügyeljen a szerszám által kibotott tárgyakra!
	A gép és a közelben tartózkodók közötti távolság legalább 15 m legyen.
	Soha ne tegye kezét vagy lábát a fűnyírőkés közelébe a fűnyíró alá. A fűnyírőkések a motor kikapcsolása után egy ideig még forognak.
	Figyelmeztetés: Karbantartás előtt válassza le az akkumulátort.



Csak EU-tagállamok számára
Mivel a berendezésben veszélyes alkatrészek vannak, az elektromos és elektronikus berendezések, akkumulátorok és elemek hulladékaik negatív hatással lehetnek a környezetre és az emberi egészségre. Az elektromos és elektronikus készülékeket vagy akkumulátorokat ne dobja a háztartási szemétkébe!
Az elektromos és elektronikus berendezések hulladékaikról és az akkumulátorokról és elemekről, valamint az akkumulátorok és elemek hulladékaikról szóló európai irányelvnek, valamint a nemzeti jogszabályokhoz történő adaptálásának megfelelően a használt elektromos berendezéseket, elemeket és akkumulátorokat külön kell tárolni, és a települési hulladék elkülönített gyűjtőhelyére kell szállítani a környezetvédelmi előírásoknak megfelelően. Ezt jelzi a berendezésen elhelyezett áthúzott keresek kuka szimbólum.



Garantált hangteljesítményszint az EU szabványi zajvédelmi irányelvnek megfelelően.



Rendeltetés

A gépet fűnyírásra szánták.

Zaj

A tipikus A-súlyozású zajszint, a EN62841-4-3 szerint meghatározva:

LM003G típus

Mért hangteljesítményszint (L_{WA}): 90 dB (A)

Garantált hangteljesítményszint (L_{WA}): 93 dB (A)

Hangnyomásszint (L_{pA}): 83 dB(A)

A hangnyomásszint bizonytalansága (K): 3 dB(A)

LM004G típus

Mért hangteljesítményszint (L_{WA}): 90 dB (A)

Garantált hangteljesítményszint (L_{WA}): 93 dB (A)

Hangnyomásszint (L_{pA}): 81 dB(A)

A hangnyomásszint bizonytalansága (K): 3 dB(A)

MEGJEGYZÉS: A zajkibocsátás értéke a szabványos vizsgálati eljárásnak megfelelően lett mérve, és segítségével az elektromos kéziszerszámok összehasonlíthatók egymással.

MEGJEGYZÉS: A zajkibocsátás értékének segítségével előzetesen megbecsülhető a rezgésnek való kitettség mértéke.

▲FIGYELMEZTETÉS: Viseljen fülvédőt!

▲FIGYELMEZTETÉS: A szerszám zajkibocsátása egy adott alkalmazásnál eltérhet a megadott értéktől a használat módjától, különösen a feldolgozott munkadarab fajtájától függően.

▲FIGYELMEZTETÉS: Határozza meg a kezelő védelmét szolgáló munkavédelmi lépéseket, melyek az adott munkafeltételek melletti vibrációs hatás becsült mértékén alapulnak (figyelembe véve a munkaciklus elemeit, mint például a gép leállításának és üresjáratának mennyiségét az elindítások száma mellett).

Vibráció

A vibráció teljes értéke (háromtengelyű vektorösszeg) az EN62841-4-3 szerint meghatározva:

LM003G típus

Rezgéskibocsátás (a_h): 2,5 m/s² vagy kisebb

Bizonytalanság (K): 1,5 m/s²

LM004G típus

Rezgéskibocsátás (a_h): 2,5 m/s² vagy kisebb

Bizonytalanság (K): 1,5 m/s²

MEGJEGYZÉS: A rezgés teljes értéke a szabványos vizsgálati eljárásnak megfelelően lett mérve, és segítségével az elektromos kéziszerszámok összehasonlíthatók egymással.

MEGJEGYZÉS: A rezgés teljes értékének segítségével előzetesen megbecsülhető a rezgésnek való kitettség mértéke.

▲FIGYELMEZTETÉS: A szerszám rezgés kibocsátása egy adott alkalmazásnál eltérhet a megadott értéktől a használat módjától, különösen a feldolgozott munkadarab fajtájától függően.

▲FIGYELMEZTETÉS: Határozza meg a kezelő védelmét szolgáló munkavédelmi lépéseket, melyek az adott munkafeltételek melletti vibrációs hatás becsült mértékén alapulnak (figyelembe véve a munkaciklus elemeit, mint például a gép leállításának és üresjáratának mennyiségét az elindítások száma mellett).

Megfelelőségi nyilatkozatok

Csak európai országokra vonatkozóan

A megfelelőségi nyilatkozatok a jelen használati kézikönyv „A” mellékletében található.

BIZTONSÁGI FIGYELMEZTETÉS

A szerszámgépekre vonatkozó általános biztonsági figyelmeztetések

▲FIGYELMEZTETÉS Olvassa el a szerszámgéphez mellékelt összes biztonsági figyelmeztetést, utasítást, illusztrációt és a műszaki adatokat. A következőkben leírt utasítások figyelmen kívül hagyása elektromos áramütést, tüzet és/vagy súlyos sérülést eredményezhet.

Őrizzen meg minden figyelmeztetést és utasítást a későbbi tájékozódás érdekében.

A figyelmeztetésekből szereplő "szerszámgép" kifejezés az Ön hálózatról (vezetékes) vagy akkumulátortól (vezeték nélküli) működtetett szerszámgépére vonatkozik.

Vezeték nélküli fűnyíróra vonatkozó biztonsági figyelmeztetések

1. Ne használja a fűnyírót rossz időjárási körülmények esetén, különösen, ha villámlás várható. Ez csökkenti a villámcsapás veszélyét.
2. Alaposan vizsgálja át a terület élővilágát, ahol a fűnyírót használni fogják. A fűnyíró működése közben károkat okozhat az élővilágban.
3. Alaposan vizsgálja át a területet, ahol a fűnyírót használni fogják, és távolítsa el minden követ, botot, vezetéket, csontot és egyéb idegen tárgyat. A repülő tárgyak személyi sérülést okozhatnak.
4. A fűnyíró használata előtt mindig szemrevételezéssel ellenőrizze, hogy a penge és a pengeszerezvény ne legyen elhasználdott vagy sérült. Az elhasználdott vagy sérült alkatrészek növelik a sérülés kockázatát.

5. **Gyakran ellenőrizze a fűfelfogó esetleges kopását vagy eldeformálódását.** Az elhasznált vagy sérült fűfelfogó növelheti a sérülés kockázatát.
6. **Tartsa a pengevédőket a helyükön. A pengevédőknek a helyükön kell lenniük működőképes állapotban és helyesen felszerelve.** A laza, sérült vagy nem megfelelően működő pengevédő személyi sérülést okozhat.
7. **Ne engedje, hogy törmelék kerüljön a hűtőlég-beömlőbe.** Az elzáródott légbeömlők és a törmelék túlmelegedést vagy tűzveszélyt okozhatnak.
8. **A fűnyíró használata közben mindig csúszás-gátló munkavédelmi lábbelit viseljen. Ne működtesse a fűnyíró mezítláb vagy nyitott szandálban.** Ez csökkenti a mozgó késsel történő érintkezés okozta lábfej-sérülés esélyét.
9. **A fűnyíró használata közben mindig hosszú nadrágot viseljen.** A repülő tárgyakkal kitett bőrfelület növeli a sérülés valószínűségét.
10. **Ne működtesse a fűnyíró nedves fűben.** Sétálva haladjon, soha ne fusson. Így elkerülheti az elcsúszás és elesés kockázatát, ami személyi sérülést okozhat.
11. **Ne használja a fűnyíró túl meredek lejtőn.** Így elkerülheti a gép feletti uralom elvesztésének, az elcsúszásnak és az elesésnek a kockázatát, ami személyi sérülést okozhat.
12. **Ha lejtőn dolgozik, ügyeljen arra, hogy biztonságosan álljon, a lejtőn keresztirányban dolgozzon és soha sem felfelé vagy lefelé haladjon, irányváltáskor pedig különös óvatossággal járjon el.** Így elkerülheti a gép feletti uralom elvesztésének, az elcsúszásnak és az elesésnek a kockázatát, ami személyi sérülést okozhat.
13. **Különösen óvatosan járjon el tolatáskor, illetve amikor a fűnyíró maga felé húzza. Mindig figyeljen a környezetére.** Ez csökkenti a működés közbeni megbotlás kockázatát.
14. **Ne érjen a késekhez és más veszélyes mozgó alkatrészekhez, amikor még mozgásban vannak.** Így csökkenti a mozgó alkatrészek okozta sérülés kockázatát.
15. **Az elakadt anyag eltávolításakor vagy a fűnyíró tisztításakor ügyeljen arra, hogy az összes főkapcsoló ki legyen kapcsolva és az akkumulátor le legyen választva.** A fűnyíró váratlan beindulása súlyos személyi sérüléssel járhat.

ŐRIZZE MEG EZEKET AZ UTASÍTÁSOKAT.

▲ FIGYELMEZTETÉS: NE HAGYJA, hogy (a termék többszöri használatából eredő) kényelem és megszokás váltsa fel a termék biztonsági előírásainak szigorú betartását.

A HELYTELEN HASZNÁLAT és a használati útmutatóban szereplő biztonsági előírások megszegése súlyos személyi sérülésekhez vezethet.

▲ FIGYELMEZTETÉS: Olvassa el az összes biztonsági figyelmeztetést és utasítást. Ha nem tartja be a figyelmeztetéseket és utasításokat, akkor áramütés, tűz és/vagy súlyos sérülés következhet be.

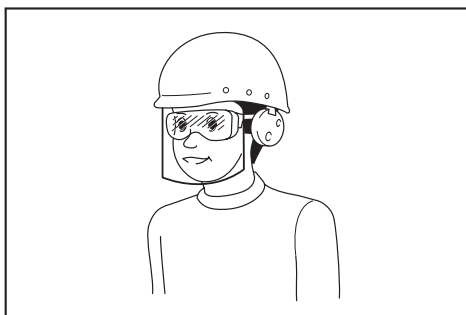
Őrizzen meg minden figyelmeztetést és utasítást a későbbi tájékozódás érdekében.

Oktatás

1. **Figyelmesen olvassa el az útmutatót. Sajátítsa el a fűnyíró helyes használatát és a kezelőszervek működtetését.**
2. **Soha ne engedje, hogy gyermekek vagy ezen utasításokat nem ismerő személyek használják a fűnyíró.** Előfordulhat, hogy a helyi törvények rendelkeznek a kezelő életkorát illetően.
3. **Ne működtesse a fűnyíró, ha emberek – különösen gyermekek – vagy háziállatok tartózkodnak a közelben.**
4. **Ne feledje, hogy a kezelő, illetve felhasználó felelős a balesetekért vagy a más személyekkel vagy tulajdonnal szembeni veszélyhelyzetekért.**
5. **Ügyelni kell arra, hogy gyermekek ne játszhassanak a fűnyíróval.**
6. **Fizikai állapot – Ne használja a fűnyíró, ha drog, alkohol vagy gyógyszer hatása alatt áll.**

Felkészülés

1. **A fűnyíró használata közben megfelelő lábbelit és hosszú nadrágot viseljen. Ne működtesse a fűnyíró mezítláb vagy nyitott szandálban. Kerülje a laza, vagy lógó részekkel, szalagokkal rendelkező ruhák vagy ékszerek viselését. Ezeket a mozgó alkatrészek becsíphetik.**
2. **Használat előtt mindig ellenőrizze szemrevételezéssel a fűnyíró, nem sérültek-e, hiányoznak-e vagy rosszul vannak elhelyezve a védőelemek.**
3. **A fűnyírás előtt a területen ne legyenek más emberek. Állítsa le a fűnyíró, ha valaki más is a területre lép.**
4. **Elektromos szerszámok használatakor mindig viseljen védőszemüveget a szem védelme érdekében. A szemüvegnek meg kell felelnie az ANSI Z87.1 szabványnak az Egyesült Államokban, az EN 166 szabványnak Európában, illetve az AS/NZS 1336 szabványnak Ausztráliában/Új-Zélandon. Ausztráliában/Új-Zélandon törvény írja elő az arcvédő használatát is, amely biztosítja az arc védelmét.**



A munkaadó felelőssége, hogy a megfelelő biztonsági védőeszköz viselésére kötelezze a szerszám kezelőit és a közvetlen munkaterületen lévő más személyeket.

5. Gondosan ellenőrizze a késeket vagy a fejecsavarokat használat előtt, repedések vagy sérülések tekintetében. Azonnal cserélje ki a megrepedt vagy sérült késeket vagy fejecsavarokat.
6. Távolítsa el az idegen anyagokat, például köveket, drótokat, palackokat, csontokat és nagyobb botokat a területről, hogy elejét vegye a személyi sérülésnek vagy a fűnyíró károsodásának.
7. A fűnyíró kése által megütött tárgyak súlyos személyi sérülést okozhatnak. A gypet mindig körültekintően meg kell vizsgálni, és minden fűnyírás előtt el kell távolítani minden objektumot.
8. Figyeljen a lyukakra, kerékvágásokra, kiemelkedésekre, sziklákra és más rejtett tárgyakra. Az egyenetlen terep elcsúszással és eleséssel járó balesetet okozhat. A magas fű akadályokat rejthet.
9. Használjon személyi védőfelszerelést. Mindig viseljen védőszemüveget. A megfelelő körülmények megteremtése érdekében használt biztonsági felszerelések, mint például a pormaszok, csuszásmentes cipő, védősisak vagy hallásvédelmi eszközök csökkentik a személyi sérülések előfordulását.

Működtetés

1. Ne hajoljon előre túlságosan. Mindig egyensúly megtartásával dolgozzon. Lejtőn mindig bizonyosodjon meg lába kellő megtámasztásáról. Sétálva haladjon, soha ne fusson.
2. Állítsa le a fűnyírót és kapcsolja ki a gépet, és győződjön meg arról, hogy minden mozgó alkatrész teljesen leállt:
 - minden alkalommal, amikor magára hagyja a fűnyírót,
 - akadályok vagy eltömődések elhárítása előtt,
 - ellenőrzés, tisztítás vagy a fűnyíron való munkavégzés előtt,
 - idegen tárgyba ütközés után. Vizsgálja át a fűnyírót, hogy nem sérült-e meg, és végezze el a szükséges javításokat az ismételt elindítás és használat előtt,
 - ha a fűnyíró rendellenesen rázkódni kezd.
3. Soha ne használja a fűnyírót hibás védőelemekkel vagy biztonsági eszközök nélkül, például a terelőelemek és/vagy a fűgyűjtő kosár felszerelése nélkül.

4. Kerülje a fűnyíró használatát rossz időjárási körülmények esetén, különösen, ha villámás várható.
5. A fűnyíró használata közben viseljen védőszemüveget és zárt lábbelit.
6. A fűnyírót csak napközben vagy kellően erős mesterséges megvilágítás mellett használja.
7. A fűnyírót óvatosan, az utasításoknak megfelelően indítsa be, és lábát tartsa kellő távolságra a kés(ek)től.
8. Ügyeljen a fűnyírókésekre, mivel láb- és kézsérüléseket okozhatnak.
9. Mindig ellenőrizze, hogy a szellőzőnyílásokat nem tömítette-e el törmelék.
10. A lejtőkön oldalirányba haladjon át, ne lefelé vagy felfelé. Különösen óvatosan járjon el a lejtőn való irányváltáskor. Ne végezzen fűnyírást túl meredek lejtőkön.
11. Különösen óvatosan járjon el tolatáskor, illetve amikor a fűnyírót maga felé húzza.
12. Várja meg, míg a kések leállnak, ha a fűnyírót egy nem füves területen való áthaladás érdekében meg kell dönteni, vagy amikor a fűnyírót a levágandó területhez/területről szállítja.
13. Ne döntse meg a fűnyírót a motor bekapcsolásakor, kivéve, ha a fűnyírót a beindításhoz meg kell dönteni. Ebben az esetben se döntse meg jobban a szükségesnél, és a fűnyírót a kezelővel ellentétes oldalát megemelve döntse meg. Mielőtt a fűnyírót újra a földre teszi mindig figyeljen arra, hogy mindkét keze a működésképzési helyzetben legyen.
14. Ne tegye kezét és lábát forgó alkatrészek alá vagy azokhoz közel. A kibobonylást mindig tartsa szabadon.
15. Ne szállítsa a fűnyírót bekapcsolt állapotban.
16. Kerülje a fűnyíró használatát nedves fűben.
17. Mindig tartsa szilárdan a fogantyút.
18. Ne fogja meg a csupaszkéseket vagy vágóéleket, amikor felemeli vagy megtartja a fűnyírót.
19. Tartsa kezét és lábát távol a forgó késektől. Vigyázat – A kések a fűnyíró kikapcsolása után még szabadon fogognak.
20. Ha bármilyen rendellenességet észlel, azonnal állítsa le a gépet. Kapcsolja ki a fűnyírót. Ezt követően vizsgálja meg a fűnyírót.
21. Ha a fűnyíró rendelkezik vágási magasságot beállító funkcióval, soha ne próbálja meg a fűnyíró működése közben állítani a vágási magasságot.
22. Engedje el a kapcsolókart, és várjon, amíg a kések forgása leáll, mielőtt felhajtjon, ösvényen, úton és kavicsos területen menne át. Kapcsolja ki a gépet akkor is, ha eltávolodik a fűnyírótól, hogy felvegyen valamit, vagy elvegyen valamit az útból, vagy bármely más okból, amely elvonhatja a figyelmét a végzett munkától.
23. Ha a fűnyíró egy idegen tárgyba ütközik, kövesse az alábbi lépéseket:
 - Állítsa le a fűnyírót, engedje el a kapcsolókart és várjon, amíg a kés teljesen leáll.
 - Távolítsa el az akkumulátort.
 - Vizsgálja át alaposan a fűnyírót, hogy megkeresse az esetleges károsodásokat.

- Cserélje ki a kést, ha az bármilyen módon károsodott. A fűnyíró további használata előtt javítson ki minden károsodást.
- 24. Ne indítsa el a fűnyírót, amikor a kidobónyílás előtt áll.
- 25. Ha a fűnyíró szokatlan módon kezd vibrálni (azonnali ellenőrzés)
 - ellenőrizze, hogy nem károsodott-e,
 - cserélje ki vagy javítsa meg a sérült alkatrészeket,
 - ellenőrizze és húzza meg a laza alkatrészeket.
- 26. Soha ne irányítsa senki felé a kilökött anyagot. Ne irányítsa a kilökött anyagot egy fal vagy akadály felé. Az anyag visszapatlanhat a kezelő irányába. Állítsa le a kést, amikor kavicsos területen megy keresztül.
- 27. Ne húzza visszafelé a fűnyírót, ha nem feltétlenül szükséges. Ha arra kényszerül, hogy hátrahúzza a fűnyírót egy kerítéstől vagy más hasonló akadálytól, nézzon lefelé és hátra, mielőtt és miközben hátrafelé mozog.
- 28. Kapcsolja ki a motort, és várja meg, amíg a kés teljesen leáll, mielőtt eltávolítja a felfogót. Vegye figyelembe, hogy a kések a kikapcsolás után még mozognak.
- 29. Ha sáros talajon, nedves lejtőn vagy csúszós helyen használja a gépet, figyeljen oda a lábtartására.
- 30. Ne merítse bele a gépet egy tócsába.
- 31. A gép működtetésekor figyeljen oda a csöveknek és vezetéknek.

Karbantartás és tárolás

1. A biztonság érdekében cserélje ki a kopott vagy sérült alkatrészeket. Csak eredeti pótalkatrészeket és tartozékokat használjon.
2. Rendszeresen vizsgálja és tartsa karban a fűnyírót.
3. Amikor nincs használatban, tárolja a fűnyírót olyan helyen, ahol gyerekek nem érhetik el.
4. A berendezés biztonságos műszaki állapotának biztosítása érdekében a csavarok és anyák mindig legyenek szorosra meghúzva.
5. Gyakran ellenőrizze a fűgyűjtő kosár esetleges kopását vagy eldeformálódását. A tároláshoz mindig győződjön meg arról, hogy a fűgyűjtő kosár üres. Cserélje ki az elhasznált fűgyűjtő kosarat egy új gyári cseredarabbal.
6. Csak a kézikönyvben megadott eredeti gyártói késeket használja.
7. Legyen óvatos a fűnyíró beállítása során, nehogy beszoruljon az ujjá a mozgó kések és a fűnyíró rögzített alkatrészei közé.
8. Rendszeresen ellenőrizze a késrögzítő csavar megfelelő feszességét.
9. Tárolás előtt mindig hagyja lehűlni a fűnyírót.
10. A kések szervizelése során ne feledje, hogy a kések elmozdíthatók még kikapcsolt áramforrás esetén is.
11. Soha ne távolítsa el a biztonsági berendezéseket, és ne nyúljon hozzájuk. Rendszeresen ellenőrizze a megfelelő működésüket. Soha ne tegyen semmit, ami megzavarhatja a biztonsági berendezés tervezett működését, vagy csökkentheti a biztonsági berendezés által nyújtott védelmet.

12. Ne hagyja a gépet őrizetlenül kültéren az esőben.
13. A gép tárolásakor kerülje a közvetlen napsütést és az esőt, és olyan helyen tárolja, amely nem forrószik fel és nem párosodik be.

Akkumulátoros szerszám használata és karbantartása

1. Csak a gyártó által meghatározott töltővel töltsen fel az akkumulátort. Egy bizonyos akkumulátortípushoz használható töltő más akkumulátortípussal való használata tűzveszélyt idézhet elő.
2. A szerszámgepeket kizárólag a meghatározott akkumulátorokkal használja. Egyéb akkumulátorok használata sérülés vagy tűz kockázatával járhat.
3. Amikor az akkumulátort nem használja, tartsa távol a többi fémtárgytól, például irratkapszoktól, érméktől, kulcsoktól, szögektől, csavaroktól vagy egyéb olyan apró fémtárgyaktól, amelyek összekötést hozhatnak létre a pólusok között. Az akkumulátor pólusainak rövid zárása égési sérüléseket vagy tüzet okozhat.
4. Helytelen működtetés esetén az akkumulátorból folyadék kerülhet ki; kerülje az ezzel való érintkezést. Ha véletlenül mégis érintkezésbe kerülne a folyadékkal, mossa le azt vízzel. Ha a folyadék szemébe jut, azonnal forduljon orvoshoz segítségért. Az akkumulátorból származó folyadék irritációt és égéseket okozhat.
5. Ne használjon sérült vagy módosított akkumulátort vagy szerszámot. A sérült vagy módosított akkumulátorok váratlan módon viselkedhetnek, melynek következtében tüzet, robbanást vagy sérülést okozhatnak.
6. Ne tegye ki az akkumulátort és a szerszámot nyílt lángnak vagy túlzott hőhatásnak. A tűz hatása és a 130 °C feletti hőmérséklet robbanást okozhat.
7. A töltésre vonatkozó minden utasítást tartson be, ne töltsen az akkumulátort vagy a szerszámot a megadott hőmérséklettartományon kívül. A nem megfelelő módú és nem megfelelő hőmérsékleten történő töltés az akkumulátor károsodásával járhat, valamint tüzet okozhat.

Az elektromos áramra és az akkumulátorra vonatkozó biztonsági tudnivalók

1. Az akkumulátor(oka)t ne dobja tűzbe. Az akkumulátor felrobbanhat. Nézzon utána, hogy a helyi törvények tartalmazzanak-e az ártalmatlanításra vonatkozó különleges rendelkezéseket.
2. Ne nyissa fel és ne vágja szét az akkumulátor(oka)t. A kifolyt elektrolit korrozív hatású, továbbá a szem és a bőr sérülést okozhatja. Lenyelése mérgezést okozhat.
3. Ne töltsen az akkumulátort esőben vagy nedves helyen.
4. Ne töltsen az akkumulátort kültéren.
5. Ne kezelje a töltőt, beleértve a töltőcsatlakozót, és a töltő kivezetéseit nedves kézzel.
6. Ne cserélje az akkumulátort esőben.

7. Ne nedvesítse meg az akkumulátor érintkezőit folyadékkal, például vízzel, és ne merítse bele az akkumulátort. Ne hagyja az akkumulátort az esőben, és ne töltsé, használja vagy tárolja az akkumulátort nyirkos vagy nedves helyen. Ha az érintkezők benedvesednek vagy víz kerül az akkumulátor belsejébe, az akkumulátor rövidre záródhat, és fennáll a túlmelegedés, tűz vagy robbanás kockázata.
8. Miután eltávolította az akkumulátort a gépből vagy a töltőből, gondoskodjon róla, hogy csatlakoztassa az akkumulátorhoz a fedelét, és tárolja száraz helyen.
9. Ne cserélje az akkumulátort nedves kézzel.
10. Kerülje a veszélyes környezetet. Ne használja a gépet nyirkos, nedves helyen, és ne tegye ki esőnek. A gépbe kerülő víz növeli az áramütés kockázatát.
11. Ha az akkumulátor nedves lesz, szárítsa fel a vizet, majd száraz kendővel törölje le. Használat előtt teljesen szárítsa meg az akkumulátort egy száraz helyen.

Szerviz

1. Elektromos szerszámának szervizelését bizza eredeti pótkatrészeket használó képzett javításműhelyekre. Ezzel biztosítja hogy az elektromos szerszám biztonsága fennmarad.
2. Soha ne próbálja javítani a sérült akkumulátorokat. Az akkumulátorok javítását csak a gyártó és a hivatalos márkaszerviz végezheti.

ŐRIZZE MEG EZEKET AZ UTASÍTÁSOKAT.

▲ FIGYELMEZTETÉS: NE HAGYJA, hogy (a termék többszöri használatából eredő) kényelem és megszokás váltsa fel a termék biztonsági előírásainak szigorú betartását.

A HELYTELEN HASZNÁLAT és a használati útmutatóban szereplő biztonsági előírások megszegése súlyos személyi sérülésekhez vezethet.

Fontos biztonsági utasítások az akkumulátorra vonatkozóan

1. Az akkumulátor használata előtt tanulmányozza át az akkumulátortöltőn (1), az akkumulátoron (2) és az akkumulátorral működtetett terméken (3) olvasható összes utasítást és figyelmeztető jelzést.
2. Ne szerelje szét, és ne módosítsa az akkumulátort. Tűzet, túlzott hőt vagy robbanást okozhat.
3. Ha a működési idő nagyon lerövidült, azonnal hagyja abba a használatot. Ez a túlmelegedés, esetleges égések és akár robbanás veszélyével is járhat.
4. Ha elektrolit kerül a szemébe, mossa ki azt tiszta vízzel és azonnal kérjen orvosi segítséget. Ez a látásának elvesztését okozhatja.
5. Ne zárja rövidre az akkumulátort:
 - (1) Ne érjen az érintkezőkhöz elektromosan vezető anyagokkal.
 - (2) Ne tárolja az akkumulátort más fémtárgyakkal, mint pl. szegekkel, érmekkel, stb. egy helyen.
 - (3) Ne tegye ki az akkumulátort víznek vagy esőnek.

Az akkumulátor rövidzárlata nagy áramerősséget, túlmelegedést, égéseket, sőt akár meghibásodást is okozhat.

6. Ne tárolja és használja a szerszámot vagy az akkumulátort olyan helyen, ahol a hőmérséklet elérheti vagy meghaladhatja az 50 °C-t (122 °F).
7. Ne égesse el az akkumulátort még akkor sem, ha az komolyan megsérült vagy teljesen elhasználódott. Az akkumulátor a tűzben felrobbanhat.
8. Ne szúrja meg, ne vágja meg, ne törje össze, ne dobja el és ne ejtse le az akkumulátort, illetve ne üsse hozzá kemény tárgyhoz. Az ilyen magatartás tűzet, túlzott hőt vagy robbanást okozhat.
9. Ne használjon sérült akkumulátort.
10. A készülékben található lítium-ion akkumulátorokra a veszélyes árukkal kapcsolatos előírások vonatkoznak.

A termék pl. harmadik felek, fuvarozó cégek stb. által történő szállítása esetén minden esetben tartassa szem előtt a csomagoláson és a címkén található speciális követelményeket.

A termék szállításra történő felkészítése esetén vegye fel a kapcsolatot egy veszélyes anyagokkal foglalkozó szakemberrel. Kérjük, hogy az esetlegesen szigorúbb nemzeti előírásokat is vegye figyelembe.

Ragassza le a kiálló érintkezőket, illetve oly módon csomagolja be az akkumulátort, hogy az ne tudjon elmozdulni a csomagolásban.

11. Az akkumulátor ártalmatlanításakor vegye ki azt a szerszámból, és ártalmatlanítsa egy biztonságos helyen. Az akkumulátor ártalmatlanításakor tartsa be a helyi előírásokat.
12. Az akkumulátorokat csak a Makita által megjelölt termékekhez használja. Ha az akkumulátorokat azokkal nem kompatibilis termékekbe helyezi, az tűzhez, túlmelegedéshez, robbanáshoz vagy elektrolitszivárgáshoz vezethet.
13. Ha a szerszám hosszabb ideig nincs használatban, az akkumulátort ki kell venni a szerszámból.
14. Használat közben és után az akkumulátor felforrósodhat, ami égési sérülést vagy alacsony hőmérsékletű égési sérülést okozhat. Figyeljen oda a forró akkumulátor kezelésére.
15. Ne érintse meg közvetlenül a szerszám érintkezőjét, mert elég forró lehet ahhoz, hogy égési sérülések okozzon.
16. Ne engedje, hogy forgács, por vagy sár tapadjon az akkumulátor érintkezőire, lyukaiba és hornyaiiba. Az felmelegedést, tűzet, robbanást és a szerszám vagy az akkumulátor meghibásodását okozhatja, ami égési és személyi sérülésekhez vezet.
17. Hacsak a szerszám nem támogatja a nagyfeszültségű elektromos vezetékek közelében történő használatot, ne használja az akkumulátort nagyfeszültségű elektromos vezetékek közelében. Az a szerszám vagy az akkumulátor hibás működését vagy meghibásodását okozhatja.
18. Tartsa távol a gyermektől az akkumulátort.

ŐRIZZE MEG EZEKET AZ UTASÍTÁSOKAT.

▲VIGYÁZAT: Csak eredeti Makita akkumulátorokat használjon. A nem eredeti Makita akkumulátorok vagy módosított akkumulátorok használata esetén az akkumulátor felrobbanhat, ami tüzet, személyi sérülést és anyagi kárt okozhat. A Makita szerszámmra és töltőre vonatkozó Makita garanciát is érvénytelenítheti.

Tippek az akkumulátor maximális élettartamának eléréséhez

1. Töltse fel az akkumulátort, mielőtt teljesen lemerülne. Állítsa le a gépet, és töltse fel az akkumulátort, ha a gép erejének csökkenését észleli.
2. Soha ne töltse újra a teljesen feltöltött akkumulátort. A túltöltés csökkenti az akkumulátor élettartamát.
3. Töltse az akkumulátort szobahőmérsékleten, 10 °C - 40 °C (50 °F - 104 °F) között. Töltés előtt hagyja lehűlni a fölforrósodott akkumulátort.
4. Ha nem használja az akkumulátort, vegye ki a szerszámból vagy a töltőből.
5. Töltse fel az akkumulátort, ha hosszabb ideje (több mint hat hónapja) nem használta azt.

ÖSSZESZERELÉS

▲FIGYELMEZTETÉS: Mindig győződjön meg róla, hogy eltávolította az akkumulátort, mielőtt bármilyen munkát végezne a gépen. Az akkumulátor eltávolításának elmulasztása a gép véletlen beindulását eredményezheti, ami súlyos személyi sérüléseket okozhat.

▲FIGYELMEZTETÉS: A fűnyíró kizárólag akkor indítsa be, ha az teljesen össze van szerelve. A részlegesen összeszerelt gép használata súlyos sérüléseket okozhat, ha véletlenül beindul.

Az akkumulátorfedél felszerelése

▲FIGYELMEZTETÉS: Ne helyezze be az akkumulátort az akkumulátorfedél felszerelése előtt. Ellenkező esetben súlyos sérüléseket okozhat.

A működetés előtt teljesen szerelje fel az akkumulátorfedelelet. Az akkumulátorfedél megvédi a fűnyíró és az akkumulátort a sártól, szennyeződésektől és víztől.

1. A fűnyíron lévő kiemelkedéseket az akkumulátorfedélén lévő nyílásokkal összeigazítva helyezze fel az akkumulátorfedelelet.

► **Ábra1:** 1. Kiemelkedés 2. Furat 3. Akkumulátorfedél

2. Tegye a kezeit az akkumulátorfedél közepére, és nyomja le azt.

► **Ábra2**

3. Győződjön meg arról, hogy az akkumulátorfedél biztonságosan csatlakozik, és az akkumulátorfedelelet a reteszelőkar biztonságosan lezárja.

► **Ábra3:** 1. Reteszelőkar

A fogantyú felszerelése

▲VIGYÁZAT: Szerelje fel biztonságosan a fogantyút.

MEGJEGYZÉS: A fogantyúk felszerelésekor helyezze úgy a vezetékét, hogy az ne csipődjön be a fogantyú közé. Előfordulhat, hogy a fűnyíró nem működik, ha a vezeték sérült.

1. Helyezze az alsó fogantyú mindkét végét a fűnyíró testének vájataiba, majd húzza meg a szorítókarokat, és hajtsa be a szorítókarokat.

► **Ábra4:** 1. Szorítókar 2. Alsó fogantyú

A szorítókarokat úgy húzza meg, hogy a karokon lévő gyűrűket már épp ne lehessen látni.

► **Ábra5:** 1. Gyűrű

MEGJEGYZÉS: Ügyeljen rá, hogy ne legyen rés az alsó fogantyú és a fűnyíró teste között, miután a szorítókarokat behajtották.

► **Ábra6**

2. Helyezze egyvonalba a felső fogantyún lévő furatot az alsó fogantyún lévő furattal, majd helyezze be kívülről a fejescsavart, majd szorítsa meg a marokanyákat belülről. Hajtsa végre ugyanezt az eljárást a másik oldalon.

► **Ábra7:** 1. Marokanya 2. Fejescsavar

MEGJEGYZÉS: Tartsa erősen a felső fogantyút, ne csússzon ki a kezéből.

A mulcsozó betét eltávolítása

1. Nyissa ki a hátsó fedelet.

► **Ábra8:** 1. Hátsó fedél

2. Fogja meg a mulcsozó betétet a fogantyúnál fogva, majd húzza ki a fűnyíró házából az ábrán látható módon.

► **Ábra9:** 1. Fogantyú 2. Mulcsozó betét

A fűgyűjtő kosár felszerelése és eltávolítása

A fűgyűjtő kosár felszereléséhez kövesse az alábbi lépéseket.

1. Nyissa ki a hátsó fedelet.

► **Ábra10:** 1. Hátsó fedél

2. Tartsa a fűgyűjtő kosár fogantyúját, majd akassza a fűgyűjtő kosarat a fűnyíró házában lévő rúdra az ábrán látható módon.

► **Ábra11:** 1. Rúd 2. Fogantyú 3. Fűgyűjtő kosár

A fűgyűjtő kosár eltávolításához nyissa ki a hátsó fedelet, majd fogantyújánál fogva vegye ki a fűgyűjtő kosarat.

A mulcsozó betét csatlakoztatása

1. Nyissa ki a hátsó fedelet, majd távolítsa el a fűgyűjtő kosarat.

► **Ábra12:** 1. Hátsó fedél 2. Fűgyűjtő kosár

2. Fogja meg a mulcsozó betétet a fogantyúnál fogva, majd csatlakoztassa a fűnyíró házához benyomva addig, amíg csak megy az ábrán látható módon.

► **Ábra13:** 1. Fogantyú 2. Mulcsozó betét

A MŰKÖDÉS LEÍRÁSA

⚠ VIGYÁZAT: Mielőtt bármiféle beállítást vagy ellenőrzést végezne a gépen, minden esetben ellenőrizze, hogy a készülék ki van-e kapcsolva és az akkumulátor eltávolításra került-e.

Az akkumulátor behelyezése és eltávolítása

⚠ VIGYÁZAT: Az akkumulátor behelyezése vagy eltávolítása előtt mindig kapcsolja ki a gépet.

⚠ VIGYÁZAT: Az akkumulátor behelyezésekor vagy eltávolításakor erősen fogja meg a gépet és az akkumulátort. Ha nem fogja erősen a gépet és az akkumulátort, azok kicsúszhatnak a kezei közül, ami a gép és az akkumulátor károsodásához, de akár személyi sérüléshez is vezethet.

⚠ VIGYÁZAT: Bizonyosodjon meg arról, hogy használat előtt lezárta az akkumulátor fedelét. Ellenkező esetben a bekerülő sár, por vagy víz károsodást okozhat a termékben vagy az akkumulátorban.

⚠ VIGYÁZAT: Mindig tolja be teljesen az akkumulátort, amíg a piros jel el nem tűnik. Ha nem így jár el, az akkumulátor kieshet a gépből, és Önnek vagy a környezetében tartózkodóknak sérülést okozhat.

⚠ VIGYÁZAT: Ne erőltesse az akkumulátort behelyezésre. Ha az akkumulátor nem csúszik be könnyedén, akkor nem megfelelően lett behelyezve.

⚠ VIGYÁZAT: Az akkumulátor behelyezésekor vagy eltávolításakor erősen fogja meg az akkumulátorfedelét.

Az akkumulátor behelyezése:

1. Húzza fel a reteszelőkart, majd nyissa ki az akkumulátorfedelét.

► **Ábra14:** 1. Akkumulátorfedél 2. Reteszelőkar

2. Igazítsa össze az akkumulátor nyelvét a fűnyíró nyílásával, majd csúsztassa be az akkumulátort, amíg az egy kis kattánással a helyén nem rögzül.

► **Ábra15:** 1. Akkumulátor

3. Zárja be szorosan az akkumulátor fedelét.

Az akkumulátor kivétele a fűnyíróból:

1. Húzza fel a reteszelőkart, és nyissa ki az akkumulátorfedelét.

2. Az akkumulátor elején lévő gombot csúsztatása közben húzza ki az akkumulátort a fűnyíróból.

3. Zárja be az akkumulátor fedelét.

Gép-/akkumulátorvédő rendszer

A gép gép-/akkumulátorvédő rendszerrel van felszerelve. A rendszer automatikusan kikapcsolja a motor áramellátását, így megnöveli a gép és az akkumulátor élettartamát. A gép használat közben automatikusan leáll, ha a gép vagy az akkumulátor a következő állapotok valamelyikébe kerül.

Túlterhelésvédelem

Ha a gépet/akkumulátort úgy használják, hogy az rendellenesen nagy áramot vesz fel, a gép automatikusan leáll, és a jelzőlámpa pirosan világítani kezd. Ilyenkor kapcsolja ki a gépet, és fejezze be azt a műveletet, amelyek a gép túlterhelését okozta. Az újrakezdéshez kapcsolja be a gépet.

Túlmelegedés elleni védelem

Amikor a gép túlmelegszik, akkor a gép automatikusan leáll, és a jelzőlámpa pirosan világítani kezd. Hagyja kihűlni a gépet, mielőtt ismét bekapcsolná.

Mélykisütés elleni védelem

Amikor az akkumulátorkapacitás lecsökken, a gép automatikusan leáll, és a jelzőlámpa pirosan világítani kezd. Ha a gép a gombokkal sem működtethető, vegye ki az akkumulátort, és töltsse fel.

Egyéb okok elleni védelem

A védelmi rendszert más olyan okok ellen is tervezték, amelyek károsíthatják a gépet és amelyek lehetővé teszik, hogy a gép automatikusan leálljon. Hajtsa végre az alábbi összes lépést az okok tisztázása érdekében, ha a gép ideiglenesen vagy teljesen leállt.

1. Kapcsolja ki a gépet, majd kapcsolja be ismét az újraindításhoz.
2. Töltsse fel az akkumulátor(oka)t vagy cserélje ki azt/azokat újratöltött akkumulátorral.
3. Hagyja, hogy a gép és az akkumulátor(ok) lehűljenek.

Ha nem történik javulás a védelmi rendszer helyreállítása után sem, forduljon a helyi Makita Szervizközpontoz.

MEGJEGYZÉS: Ha a gép olyan okból áll le, ami a fentiekben nem szerepel, lapozza fel a hibaelhárítás szakaszt.

MEGJEGYZÉS: A lámpa kigyulladásának ideje a munkaterület hőmérsékletétől és az akkumulátor állapotától függ.

Az akkumulátor töltöttségének jelzése

► **Ábra16:** 1. Jelzőlámpa

Ha az akkumulátorkapacitás lecsökken, a jelzőlámpa pirosan villog. További használatra a gép leáll, és a jelzőlámpa pirosan világítani kezd. Ebben a helyzetben töltsse fel az akkumulátort.

Az akkumulátor töltöttségének jelzése

Nyomja meg az ellenőrzőgombot, hogy az akkumulátor-töltöttség-jelző megmutassa a hátralévő akkumulátor-kapacitást. Ekkor a töltöttség-szint-jelző lámpák néhány másodpercre kigyulladnak.

► **Ábra17:** 1. Jelzőlámpák 2. Check (ellenőrzés) gomb

Jelzőlámpák			Töltöttségi szint
Világító lámpa	Ki	Villogó lámpa	
			75%-tól 100%-ig
			50%-tól 75%-ig
			25%-tól 50%-ig
			0%-tól 25%-ig
			Töltsse fel az akkumulátort.
			Lehetséges, hogy az akkumulátor meghibásodott.

MEGJEGYZÉS: Az adott munkafeltételektől és a környezeti hőmérsékletétől függően a jelzett töltöttségi szint némileg eltérhet a tényleges töltöttségi szinttől.

MEGJEGYZÉS: Az első (bal oldali szélső) jelzőlámpa villog, ha az akkumulátorvédelem rendszer működik.

A kapcsoló használata

FIGYELMEZTETÉS: Mielőtt az akkumulátort behelyezi, mindig győződjön meg arról, hogy a kapcsolókat megfelelően működik, és felengedés-kor visszaáll az eredeti helyzetébe. A hibás kapcsolóval működő gép fölött a kezelő elveszítheti az uralmat, és a gép súlyos személyi sérülést okozhat.

MEGJEGYZÉS: A fűnyíró nem indul el a bekapcsoló gomb lenyomása nélkül, még akkor sem, ha a kapcsolókart meghúzza.

MEGJEGYZÉS: Ha hosszú vagy sűrű fűvet próbál nyírni a fűnyíróval, előfordulhat, hogy az a túlterhelés miatt nem indul el. Ebben az esetben növelje a fűnyírási magasságot.

A gép rendelkezik kapcsológombbal. Amennyiben a kapcsológomb működésében bármi szokatlan tapasztal, azonnal fejezze be a munkát, és ellenőriztesse a legközelebbi Makita hivatalos szervizközpontban.

1. Helyezze be az akkumulátort, majd szorosan csukja le az akkumulátor fedelét.
2. A kapcsológombot lenyomva tartva húzza a kapcsolókart maga felé. Amikor a motor elindul, engedje el a kapcsológombot.

► **Ábra18:** 1. Kapcsológomb 2. Kapcsolókar

3. A motor leállításához engedje el a kapcsolókart.

A fűnyírási magasság beállítása

FIGYELMEZTETÉS: Soha ne tegye a fűnyíró alá a kezét vagy a lábát a fűnyírási magasság beállításakor.

FIGYELMEZTETÉS: Használat előtt mindig ellenőrizze, hogy a kar megfelelően illeszkedik-e a bevágásba.

A fűnyírási magasság a 20–75 mm tartományban állítható.

Kapcsolja ki a gépet, majd húzza a fűnyírási magasságot beállító kart a fűnyíró házatól elfelé, és vigye a kívánt fűnyírási magasságra.

► **Ábra19:** 1. Fűnyírási magasságot beállító kar

Az alábbi táblázat a fűnyíró házán lévő szám és a körülbelüli fűnyírási magasság közötti összefüggést mutatja.

Szám	Fűnyírási magasság
1	20 mm
2	29 mm
3	36 mm
4	44 mm
5	53 mm
6	61 mm
7	69 mm
8	75 mm

MEGJEGYZÉS: A fűnyírási magasság számai csak útmutatóként szolgálnak. A fű vagy a talaj állapotától függően előfordulhat, hogy a gyeper valódi magassága kis mértékben eltér a beállított magasságtól.

MEGJEGYZÉS: Végezzen próbanyírást egy kevésbé feltűnő helyen, és állítsa be a kívánt magasságot.

Fűgyújtó szintjelzője

► **Ábra20:** 1. Fűgyújtó szintjelzője

A fűgyújtó szintjelzője a lenyírt fű mennyiségét jelzi.

- Ha a fűgyújtó kosár nincs tele, a jelző a fűnyírási közben lebeg.
- Ha a fűgyújtó kosár megtelik, a jelző a fűnyírási közben nem lebeg. Ilyen esetben azonnal hagyja abba a fűnyírást, és ürítse ki a kosarat. A kiürített kosarat tisztítsa meg, hogy a rácson átjárjon a levegő.

MEGJEGYZÉS: Ez a jelzés csak útmutatásul szolgál. A kosáron belüli körülményektől függően előfordulhat, hogy a visszajelző nem működik megfelelően.

A fogantyúk magasságának beállítása

⚠ VIGYÁZAT: A fejescsavarok eltávolítása előtt tartsa erősen a felső fogantyút. Ellenkező esetben a fogantyú leeshet és sérülést okozhat.

A fogantyú magasságát két fokozatban lehet beállítani.

1. Lazítsa ki a fogantyú marokanyáit, majd távolítsa el a fejescsavarokat és a marokanyákat.

▶ **Ábra21:** 1. Marokanya

2. Állítsa be a fogantyú magasságát.

3. Helyezze be kívülről a fejescsavarokat, majd belülről szorítsa meg a marokanyákat.

A mulcsozó betét használata

A mulcsozó betét lehetővé teszi, hogy a vágott fűvet visszajuttassa a talajra anélkül, hogy a levágott fűvet a fűgyűjtő kosárba gyűjtené. Ha a gépet a mulcsozó betéttel használja, ügyeljen arra, hogy eltávolítsa a fűgyűjtő kosarat.

MEGJEGYZÉS: Amikor a mulcsozó betéttel használja a gépet, győződjön meg róla, hogy a fű teljes hossza vágás után legalább 30 mm, és a vágási hossz legfeljebb 15 mm.

▶ **Ábra22:** (1) Legalább 30 mm (2) Legfeljebb 15 mm

MŰKÖDTETÉS

Fűnyírás

⚠ FIGYELMEZTETÉS: Fűnyírás előtt takarítsa el a botokat és köveket a nyírandó területről. Továbbá, előre távolítson el minden gyomot a nyírandó területről.

⚠ FIGYELMEZTETÉS: Mindig viseljen védőszemüveget vagy biztonsági szemüveget oldalpajzzsal, a fűnyíró használata során.

⚠ VIGYÁZAT: Ha a levágott fű vagy egy idegen tárgy elakadt a fűnyíró házában, gondoskodjon róla, hogy kivegye az akkumulátorokat, és viseljen kesztyűt, amikor eltávolítja a fűvet vagy idegen tárgyat.

MEGJEGYZÉS: A gépet kizárólag fűnyírásra használja. A géppel ne nyírjon gyomokat.

▶ **Ábra23**

Fűnyíráskor mindkét kezével szilárdan tartsa a fogantyút.

A fűnyírás javasolt sebessége körülbelül 2 - 4 másodperc 1 méterenként.

▶ **Ábra24**

MEGJEGYZÉS: Amikor hosszúra nőtt vagy sűrű fűvet nyír, ha a fűnyírás után egyenetlenséget tapasztal a fűszálak hosszában vagy rosszul levágott fűfelületet talál, vagy a motor fordulatszámának csökkenését érzékeli a fűnyírás során, csökkentse a fűnyírás sebességét alacsonyabbra a jelen kézikönyvben ajánlottnál, vagy emelje meg a fűnyírási magasságot.

Az első kerekek középvonala iránykutatásként szolgál a fűnyírás szélességére vonatkozóan. Használja a középvonalakat iránymutatásként, sávokban nyírja a fűvet. A lenyírt fű egyenetlensége érdekében, a korábban már lenyírt sáv felére, egyharmadára átfedve végezze a fűnyírást.

▶ **Ábra25:** 1. Fűnyírási szélesség 2. Átfedő terület 3. Középvonal

Minden egyes alkalommal változtassa meg a fűnyírás irányát, hogy megakadályozza a fűszálak egyirányú dőléséből eredő mintázat kialakulását.

▶ **Ábra26**

Időszakosan ellenőrizze a fűgyűjtő kosárban lévő lenyírt fűvet. Ne várja meg az ürítéssel, amíg a kosár megtelik. Minden rendszeres ellenőrzés előtt állítsa le és kapcsolja ki a gépet.

MEGJEGYZÉS: Ha a fűnyíró fűgyűjtő kosara megtelik, az akadályozza a kés sima forgását és túlterheli a motort, ami meghibásodáshoz vezethet.

Hosszú fűves gyepr nyírása

Ne próbálja meg egy menetben lenyírni a hosszúra nőtt fűvet. Ehelyett több lépésben nyírja le a fűvet. A fűnyírások között várjon egy vagy két napot, amíg a fű egyenetlenül rövid nem lesz.

MEGJEGYZÉS: A fű elhalhat, ha a hosszúra nőtt fűvet egy menetben kívánja rövidre vágni. A levágott fű eltömítheti a fűnyíró belsejét.

A fűgyűjtő kosár kiürítése

⚠ FIGYELMEZTETÉS: A balesetveszély csökkentéséhez rendszeresen ellenőrizze a fűgyűjtő kosarat, nehogy károsodás érje vagy csökkenjen az erőssége. Szükség esetén cserélje ki a fűgyűjtő kosarat.

1. Engedje fel a kapcsolókat.
2. Távolítsa el az akkumulátort.
3. Nyissa ki a hátsó fedelet, és fogantyújánál fogva emelje ki a fűgyűjtő kosarat.
- ▶ **Ábra27:** 1. Hátsó fedél 2. Fogantyú
4. Ūrítse ki a fűgyűjtő kosarat.

KARBANTARTÁS

▲ FIGYELMEZTETÉS: Mindig győződjön meg arról, hogy kivették az akkumulátort a gépből a tárolása vagy szállítása előtt vagy vizsgálat és karbantartás végrehajtása előtt.

▲ FIGYELMEZTETÉS: Viseljen kesztyűt a vizsgálat és karbantartás során.

▲ FIGYELMEZTETÉS: Mindig viseljen védőszemüveget vagy biztonsági szemüveget oldalpajzsral, amikor vizsgálatot vagy karbantartást végez.

MEGJEGYZÉS: Soha ne használjon gázolajt, benzint, hígítót, alkoholt vagy hasonló anyagokat. Ezek elszíneződést, alakvesztést vagy repedést okozhatnak.

A termék BIZTONSÁGÁNAK és MEGBÍZHATÓSÁGÁNAK fenntartása érdekében a javításokat és más karbantartásokat vagy beállításokat a Makita hivatalos vagy gyári szervizközpontjában kell elvégezni, mindig csak Makita cserealkatrészeket használva.

Karbantartás

1. Vegye ki az akkumulátort, majd csukja le az akkumulátor fedelét.
2. Tegye a fűnyírót az oldalára. Tisztítsa le a fűnyíró alján összegyűlt levágott fűvet.
3. Öntsön vizet a gép aljára, ahol a kés csatlakozik.

MEGJEGYZÉS: Ne mossa a gépet nagynyomású vízzel.

4. Ellenőrizze az összes anya, fejecscsavar, csavar, stb. meghúzását.
5. Vizsgálja a mozgó alkatrészeket, hogy nem sérültek-e, illetve van-e rajtuk törés vagy kopás. A sérült vagy hiányzó alkatrészek meg kell javítani vagy ki kell cserélni.
6. Tartsa a fűnyírót biztonságos helyen, gyermekektől távol.

Tárolás

▲ VIGYÁZAT: Amikor a gépet függőleges helyzetbe helyezi, helyezze azt sík és stabil felületre. Ha a gépet instabil felületre helyezik, a gép leeshet és sérülést okozhat.

Tárolja a fűnyírót beltéri hűvös, száraz és zárt helyen. Ne tárolja a fűnyírót és a töltőt olyan helyen, ahol a hőmérséklet elérheti vagy meghaladhatja a 40 °C hőmérsékletet.

1. Távolítsa el az akkumulátort.
2. Távolítsa el a fűgyűjtő kosarat.
3. Hajtsa ki a szorítókarokat, majd hajtsa be a fogantyút, és hajtsa be a szorítókarokat.
▶ **Ábra28:** 1. Szorítókar
4. Lazítsa meg a fogantyún a marokanyákat, majd hajtsa be a felső fogantyút.
▶ **Ábra29:** 1. Marokanya 2. Felső fogantyú

5. Helyezze a gépet függőleges helyzetbe.

MEGJEGYZÉS: A fűnyíró függőleges helyzetbe állításakor ne csak a fogantyút tartsa, hanem a fűnyíró testét és a fogantyút.

6. Tárolja a fűgyűjtő kosarat a fogantyú és a fűnyíróház között.
▶ **Ábra30:** 1. Fűgyűjtő kosár

A fűnyíró szállítása

▲ VIGYÁZAT: A fűnyíró szállítása előtt győződjön meg róla, hogy az akkumulátort kivették.

A fűnyíró szállításakor fogni kell a hátsó fogantyút és a gép alsó tartórészét a gép elején az ábrán látható módon.
▶ **Ábra31:** 1. Alsó tartórész 2. Hátsó fogantyú

A fűnyíró késének eltávolítása és felszerelése

▲ FIGYELMEZTETÉS: Mindig vegye ki az akkumulátort a kés kivételkor vagy beszereléskor. Ha nem veszi ki az akkumulátort, az súlyos személyi sérülésekhez vezethet.

▲ FIGYELMEZTETÉS: A kés a kapcsoló elengedése után még szabadon forog. Ne végezzen semmilyen műveletet, amíg a kés teljesen meg nem állt.

▲ FIGYELMEZTETÉS: A kés kezeléskor mindig viseljen kesztyűt.

MEGJEGYZÉS: A fűnyíró késének eltávolításakor és felszerelésekor használja a gépcsomagban található csavarkulcsot.

A fűnyírókés eltávolítása

1. Fektesse a fűnyírót az oldalára úgy, hogy a fűnyírási magasságot beállító kar a felső részen legyen.
2. A kés rögzítéséhez illeszen egy rögzítőszeget vagy egy szerszámot, például csavarhúzó a fűnyíró házán lévő furatba.
3. Forgassa el a csavart az óramutató járásával ellentétes irányban egy villáskulccsal.
▶ **Ábra32:** 1. Fűnyírókés 2. Villáskulcs 3. Csavarhúzó 4. Furat
4. Távolítsa el sorban a fejecscsavart és a kést.
▶ **Ábra33:** 1. Késtartó 2. Fűnyírókés 3. Fejecscsavar

A fűnyírókés felszerelése

A fűnyírókés felszereléséhez kövesse a leszerelési eljárást fordított sorrendben.

▲ FIGYELMEZTETÉS: Óvatosan szerelje be a fűnyírókést. Felső és alsó oldala is van.

▲ FIGYELMEZTETÉS: A kés rögzítéséhez húzza meg a csavart az óramutató járásának irányába.

▲ FIGYELMEZTETÉS: Gondoskodjon róla, hogy a fűnyírókés és az összes rögzítő alkatrész megfelelően legyen beszerelve és meghúzva.

▲ FIGYELMEZTETÉS: A kések cseréjekor mindig kövesse a kézikönyvben leírt utasításokat.

MEGJEGYZÉS: A fűnyírókés felszereléséhez szükséges csavar meghúzásakor alkalmazzon 19 - 29 N•m meghúzási nyomatékot (az értékek csak tájékoztató jellegűek).

HIBAELHÁRÍTÁS

Mielőtt a szervizhez fordulna, először végezzen saját maga is átvizsgálást. Ha olyan problémát talál, amire a kézikönyv nem tartalmaz magyarázatot, ne próbálja meg szétszerelni a gépet. Ehelyett kérjen tanácsot a Makita hivatalos szervizközpontjától, és javításhoz mindig Makita cserealkatrészeket használjon.

Rendellenesség	Lehetséges ok (meghibásodás)	Megoldás
A fűnyíró nem indul be.	Az akkumulátor nincs a gépben.	Helyezze be a feltöltött akkumulátort.
	Akkumulátorprobléma (alacsony feszültség)	Töltse fel az akkumulátort. Ha az újratöltés nem elég hatékony, cserélje ki az akkumulátort.
A motor rövid használat után leáll.	Az akkumulátor töltési szintje alacsony.	Töltse fel az akkumulátort. Ha az újratöltés nem elég hatékony, cserélje ki az akkumulátort.
	A vágási magasság túl alacsonyra van állítva.	Növelje a vágási magasságot.
A gép nem éri el a maximális fordulatszámot.	Az akkumulátort helytelenül szerelték be.	Az akkumulátort az útmutató szerint szerelje be.
	Az akkumulátor feszültsége nagy mértékben csökken.	Töltse fel az akkumulátort. Ha az újratöltés nem elég hatékony, cserélje ki az akkumulátort.
	A meghajtórendszer nem működik megfelelően.	Javításért forduljon a kijelölt helyi szervizhez.
A fűnyírókés nem fog: ⇒ azonnal állítsa le a fűnyírót!	Idegen tárgy, például egy ág akadt el a kés mellett.	Távolítsa el az idegen tárgyat.
	A meghajtórendszer nem működik megfelelően.	Javításért forduljon a kijelölt helyi szervizhez.
A gép rendellenesen rezeg: ⇒ azonnal állítsa le a fűnyírót!	A kés nincs kiegyensúlyozva, túlságosan vagy egyenetlenül kopott.	Cserélje ki a vágókést.

OPCIONÁLIS KIEGÉSZÍTŐK

⚠ VIGYÁZAT: Ezen kiegészítőket és tartozékokat javasoljuk a kézikönyvben ismertetett Makita géphez. Bármilyen más kiegészítő vagy tartozék használata a személyi sérülés kockázatával jár. A kiegészítőt vagy tartozékokat csak rendeltetésszerűen használja.

Ha bármilyen segítségre vagy további információra van szüksége ezekkel a tartozékokkal kapcsolatban, keresse fel a helyi Makita Szervizközpontot.

- Fűnyírókés
- Eredeti Makita akkumulátor és töltő

MEGJEGYZÉS: A listában felsorolt alkatrészek egy része a termékhez mellékelt standard tartozék lehet. Ezek országonként eltérőek lehetnek.

TECHNICKÉ ŠPECIFIKÁCIE

Model:		LM003G	LM004G
Šírka kosenia (priemer čepele)		380 mm	430 mm
Otáčky naprázdno		3 800 min ⁻¹	
Číslo dielu náhradnej čepele kosačky	Rovná čepeľ kosačky	1913G8-3	1913H4-8
	Mulčovacia čepeľ	1913H0-6	1913H6-4
Rozmery (D x Š x V)	počas prevádzky	D: 1 370 mm až 1 420 mm Š: 450 mm V: 990 mm až 1 020 mm	D: 1 390 mm až 1 440 mm Š: 460 mm V: 990 mm až 1 020 mm
	pri uskladnení (bez lapača trávy)	520 mm x 450 mm x 880 mm	520 mm x 460 mm x 885 mm
Menovité napätie		Jednosmerný prúd 36 V – 40 V max.	
Čistá hmotnosť		14,9 – 17,3 kg	15,6 – 18,2 kg
Trieda ochrany		IPX4	

- Vzhľadom k neustálemu výskumu a vývoju podliehajú technické údaje uvedené v tomto dokumente zmenám bez upozornenia.
- Technické údaje sa môžu pre rôzne krajiny líšiť.
- Hmotnosť sa môže líšiť v závislosti od nadstavcov vrátane akumulátora. Najľahšia a najťažšia kombinácia v súlade s postupom EPTA 01/2014 je uvedená v tabuľke.

Použiteľné akumulátory a nabíjačky

Akumulátor	BL4020 / BL4025 / BL4040 / BL4040F / BL4050F / BL4080F
Nabíjačka	DC40RA / DC40RB / DC40RC / DC40WA






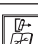
- Niektoré vyššie uvedené akumulátory a nabíjačky môžu byť nedostupné v závislosti od miesta vášho bydliska.

VAROVANIE: Používajte iba akumulátory a nabíjačky zo zoznamu uvedeného vyššie. Používanie akýchkoľvek iných akumulátorov a nabíjačiek môže spôsobiť zranenie a/alebo požiar.

VAROVANIE: S týmto strojom nepoužívajte káblový napájací zdroj ako adaptér akumulátora alebo prenosný napájací zdroj. Kábel takéhoto napájacieho zdroja môže brániť prevádzke a spôsobiť zranenie osôb.

Symbody

Nižšie sú uvedené symbody, ktoré sa môžu používať pri tomto nástroji. Je dôležité, aby ste poznali ich význam, skôr než začnete pracovať.

	Práci venujte veľkú pozornosť a dávajte pozor.
	Prečítajte si návod na obsluhu.
	Nebezpečenstvo; dávajte pozor na odhodnené predmety.
	Vzdialenosť medzi zariadením a okolostojacimi osobami musí byť aspoň 15 m.
	Nikdy nemajte ruky ani nohy v blízkosti čepele kosačky pod kosačkou. Čepele kosačky sa otáčajú aj po vypnutí motora.
	Varovanie: pred údržbou odpojte akumulátor.



Len pre štáty EÚ

Z dôvodu prítomnosti nebezpečných komponentov v zariadení môžu mať odpad z elektrických a elektronických zariadení, použité akumulátory a batérie negatívny vplyv na životné prostredie a ľudské zdravie.

Elektrické a elektronické zariadenia alebo akumulátory nelikvidujte spolu s komunálnym odpadom!

V súlade s európskou smernicou o odpade z elektrických a elektronických zariadení, o akumulátoroch a batériách a odpade z akumulátorov a batérií, ako aj v súlade s prispôbenými vnútroštátnymi právnymi predpismi by sa odpad z elektrických a elektronických zariadení a použité akumulátory a batérie mali uskladiňovať osobitne a odovzdávať na samostatnom zbernom mieste pre komunálny odpad, ktoré sa prevádzkuje v súlade s predpismi na ochranu životného prostredia. Označuje to symbol preškrtnutej smetnej nádoby na zariadení.



Zaručená hladina akustického výkonu podľa smernice EÚ o vonkajšom hluku.



Hladina akustického výkonu podľa nariadenia austrálskeho NSW o znižovaní hluku

Určené použitie

Zariadenie je určené na kosenie trávy.

Hluk

Typická hladina akustického tlaku zátáže A určená podľa štandardu EN62841-4-3:

Model LM003G

Nameraná úroveň akustického výkonu (L_{WA}): 90 dB (A)
Zaručená úroveň akustického výkonu (L_{WA}): 93 dB (A)
Úroveň akustického tlaku (L_{pA}): 83 dB (A)
Neistota úrovne akustického tlaku (K): 3 dB (A)

Model LM004G

Nameraná úroveň akustického výkonu (L_{WA}): 90 dB (A)
Zaručená úroveň akustického výkonu (L_{WA}): 93 dB (A)
Úroveň akustického tlaku (L_{pA}): 81 dB (A)
Neistota úrovne akustického tlaku (K): 3 dB (A)

POZNÁMKA: Deklarovaná hodnota emisií hluku bola meraná podľa štandardnej skúšobnej metódy a môže sa použiť na porovnanie jedného nástroja s druhým.

POZNÁMKA: Deklarovaná hodnota emisií hluku sa môže použiť aj na predbežné posúdenie vystavenia ich účinkom.

VAROVANIE: Používajte ochranu sluchu.

VAROVANIE: Emisie hluku sa môžu počas skutočného používania elektrického nástroja odlišovať od deklarovanej hodnoty, a to v závislosti od spôsobov používania náradia a najmä typu spracúvaného obrobku.

VAROVANIE: Nezabudnite označiť bezpečnostné opatrenia s cieľom chrániť obsluhu, a to tie, ktoré sa zakladajú na odhade vystavenia účinkom v rámci reálnych podmienok používania (berúc do úvahy všetky súčasti prevádzkového cyklu, ako sú doby, kedy je nástroj vypnutý a kedy beží bez zaťaženia, ako dodatok k dobe zapnutia).

Vibrácie

Celková hodnota vibrácií (trojosový vektorový súčet) určená podľa štandardu EN62841-4-3:

Model LM003G

Emisie vibrácií (a_{h1}): 2,5 m/s² alebo menej
Odchýlka (K): 1,5 m/s²

Model LM004G

Emisie vibrácií (a_{h1}): 2,5 m/s² alebo menej
Odchýlka (K): 1,5 m/s²

POZNÁMKA: Deklarovaná celková hodnota vibrácií bola meraná podľa štandardnej skúšobnej metódy a môže sa použiť na porovnanie jedného nástroja s druhým.

POZNÁMKA: Deklarovaná celková hodnota vibrácií sa môže použiť aj na predbežné posúdenie vystavenia ich účinkom.

VAROVANIE: Emisie vibrácií sa môžu počas skutočného používania elektrického nástroja odlišovať od deklarovanej hodnoty, a to v závislosti od spôsobov používania náradia a najmä typu spracúvaného obrobku.

VAROVANIE: Nezabudnite označiť bezpečnostné opatrenia s cieľom chrániť obsluhu, a to tie, ktoré sa zakladajú na odhade vystavenia účinkom v rámci reálnych podmienok používania (berúc do úvahy všetky súčasti prevádzkového cyklu, ako sú doby, kedy je nástroj vypnutý a kedy beží bez zaťaženia, ako dodatok k dobe zapnutia).

Vyhásenia o zhode

Len pre krajiny Európy

Vyhásenia o zhode sa nachádzajú v prílohe A tohto návodu na obsluhu.

BEZPEČNOSTNÉ VAROVANIA

Všeobecné bezpečnostné predpisy pre elektrické nástroje

VAROVANIE Preštudujte si všetky bezpečnostné varovania, pokyny, vyobrazenia a technické špecifikácie určené pre tento elektrický nástroj. Pri nedodržaní všetkých nižšie uvedených pokynov môže dôjsť k úrazu elektrickým prúdom, požiaru alebo vážnemu zraneniu.

Všetky výstrahy a pokyny si odložte pre prípad potreby v budúcnosti.

Pojem „elektrický nástroj“ sa vo výstrahách vzťahuje na elektricky napájané elektrické nástroje (s káblom) alebo batériou napájané elektrické nástroje (bez kábla).

Bezpečnostné varovania pre akumulátorovú kosačku

1. **Nepoužívajte kosačku počas zlých poveternostných podmienok, hlavne ak existuje riziko bleskov.** Znížite tým riziko zásahu bleskom.
2. **Dôkladne skontrolujte oblasť, kde sa má kosačka používať, či sa tu nenachádzajú divo žijúce živočíchy.** Počas prevádzky kosačky sa môžu divo žijúce živočíchy zranit.
3. **Dôkladne skontrolujte oblasť, kde sa má kosačka používať, a odstráňte všetky kamene, konáre, drôty, kosti a iné cudzie predmety.** Vymrštené predmety môžu spôsobiť poranenie osôb.
4. **Pred použitím kosačky vždy vizuálne skontrolujte, či čepel' a sústava čepelí nie sú opotrebované alebo poškodené.** Opatrebované alebo poškodené diely zvyšujú riziko poranenia.

DŮLEŽITÉ BEZPEČNOSTNÉ POKYNY

VAROVANIE: Prečítajte si všetky bezpečnostné výstrahy a pokyny. Nedodržovanie výstrah a pokynov môže mať za následok zasiahnutie elektrickým prúdom, požiar alebo vážne zranenie.

5. Pravidelne kontrolujte, či nedošlo k opotrebovaniu alebo poškodeniu zachytávača trávy. Opotrebovaný alebo poškodený zachytávač trávy zvyšuje riziko poranenia.
6. Kryty nechajte nasadené sa svojom mieste. Kryty musia byť funkčné a riadne upevnené. Kryt, ktorý je uvoľnený, poškodený alebo nefunguje správne, môže predstavovať riziko poranenia.
7. Všetky privody chladiaceho vzduchu udržiajte bez nečistôt. Upchaté vetracie otvory a nečistoty môžu spôsobiť prehriatie alebo predstavovať riziko požiaru.
8. Počas používania kosačky vždy noste protišmykovú a ochrannú obuv. Kosačku neobsluhujte, pokiaľ ste bosí alebo máte obuté sandále. Takto znížite riziko poranenia chodidiel pri kontakte s pohybujúcou sa čepelou.
9. Počas používania kosačky vždy používajte dlhé nohavice. Pri odhalenej pokožke existuje vyššia pravdepodobnosť poranenia vymrštenými predmetmi.
10. Kosačku nepoužívajte na mokrej trávě. Kráčajte, nikdy nebežte. Znížite tým riziko pošmyknutia a pádu, v dôsledku čoho môže dôjsť k poraneniu.
11. Kosačku nepoužívajte na príliš strmých svahoch. Znížite tým riziko straty kontroly, pošmyknutia a pádu, pri ktorých môže dôjsť k poraneniu.
12. Pri práci na svahoch vždy stojte pevne, vždy pracujte naprieč svahom, nikdy nie smerom nadol ani nahor, a pri zmene smeru dávajte maximálny pozor. Znížite tým riziko straty kontroly, pošmyknutia a pádu, pri ktorých môže dôjsť k poraneniu.
13. Pri pohybe dozadu alebo pri ťahaní kosačky smerom k vám dávajte maximálny pozor. Vždy pozorne sledujte okolie. Znížite tým riziko potknutia počas prevádzky.
14. Nedotýkajte sa čepelí ani iných nebezpečných pohyblivých dielov, kým sú v pohybe. Znížite tým riziko poranenia pohyblivými časťami.
15. Pri čistení zaseknutého materiálu alebo čistení kosačky sa uistite, že všetky hlavné vypínače sú vypnuté a akumulátorová batéria je odpojená. Neočakávané spustenie kosačky môže mať za následok vážne poranenie osôb.

TIETO POKYNY USCHOVAJTE.

VAROVANIE: NIKDY neprípustite, aby sebavedomie a dobrá znalosť výrobku (získané opakovaným používaním) nahradili presné dodržiavanie bezpečnostných pravidiel pre náradie.

NESPRÁVNE POUŽÍVANIE alebo nedodržovanie bezpečnostných zásad uvedených v tomto návode môže viesť k vážnemu zraneniu.

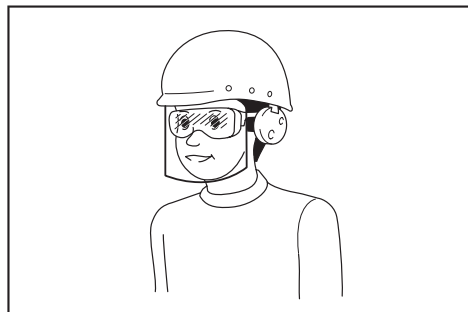
Všetky výstrahy a pokyny si odložte pre prípad potreby v budúcnosti.

Školenie

1. Dôkladne si prečítajte pokyny. Oboznámte sa s ovládačmi a správnym používaním kosačky.
2. Kosačku nikdy nedovoľte používať deťom ani ľuďom, ktorí neboli oboznámení s týmito pokynmi na jej používanie. Miestne nariadenia môžu obmedzovať vek obsluhy.
3. Nikdy nepracujte s kosačkou, ak stoja v blízkosti inej osoby, najmä deti, prípadne zvieratá.
4. Uvedomte si, že obsluha alebo používateľ sú zodpovední za úrazy alebo ohrozenie ostatných ľudí a za škody na ich majetku.
5. Treba dohliadnuť na to, aby sa s kosačkou nehrali deti.
6. Fyzický stav – Kosačku nepoužívajte, pokiaľ ste pod vplyvom drog, alkoholu alebo akýchkoľvek liekov.

Príprava

1. Počas používania kosačky vždy používajte pevnú obuv a dlhé nohavice. Kosačku neobsluhujte, pokiaľ ste bosí alebo máte sandále. Nenoste odev ani šperky, ktoré sú voľné alebo majú visiace šnúrky či upínacie prvky. Môžu ich zachytiť pohyblivé súčasti zariadenia.
2. Pred používaním vizuálne skontrolujte, či kosačka nie je poškodená, či nechýbajú alebo nie sú nesprávne umiestnené ochranné zariadenia a kryty.
3. Pred kosením zabezpečte, aby sa v pracovnej oblasti nenachádzali žiadne osoby. Ak ktokoľvek vstúpi do pracovnej oblasti, zastavte kosačku.
4. Pri používaní elektrického náradia vždy používajte ochranné okuliare, aby ste zabránili zraneniu očí. Ochranné okuliare musia spĺňať požiadavky noriem ANSI Z87.1 v USA, EN 166 v Európe alebo AS/NZS 1336 v Austrálii a na Novom Zélande. V Austrálii a na Novom Zélande zákon vyžaduje aj nosenie ochranného štítu na tvár.



Zamestnávateľ je zodpovedný nariadiť osobám, ktoré používajú tento nástroj a ktoré sa nachádzajú v bezprostrednej blízkosti, používať príslušné bezpečnostné ochranné prostriedky.

5. Pred prácou dôkladne skontrolujte, či sa na čepeľach alebo skrutkách čepeľí nena-chádzajú praskliny alebo iné poškodenie. Prasknuté alebo poškodené čepele alebo skrutky čepeľí okamžite vymeňte.
6. Pred kosením odstráňte z pracovnej oblasti cudzie predmety, ako sú kamene, drôty, fľaše, kosti a veľké úlomky, aby ste predišli zraneniu osôb a poškodeniu kosačky.
7. Predmety zachytené čepeľou kosačky môžu osobám spôsobiť vážne poranenia. Pred každým kosením by ste mali trávnik vždy dôkladne skontrolovať a odstrániť z neho všetky predmety.
8. Dávajte pozor na diery, brázdy, hrbole, kamene alebo iné skryté predmety. Nerovný terén by mohol spôsobiť pošmyknutie a pád. Vo vysokej tráve sa môžu skrývať prekážky.
9. Používajte osobné ochranné prostriedky. Vždy používajte ochranu očí. Adekvátne ochranné prostriedky, ako maska proti prachu, protišmyková bezpečnostná obuv, tvrdá prilba alebo chrániče sluchu, ktoré sa používajú v adekvátnom prostredí, výrazne znížia riziko úrazu.

Prevádzka

1. Pri práci sa nenaťahujte do diaľky. Vždy udržujte rovnováhu. Na svahoch vždy zaujmite stabilný postoj. Kráčajte, nikdy nebežte.
2. Stroj zastavte, vypnite a počkajte, kým sa všetky pohyblivé časti úplne nezastavia:
 - vždy, keď opúšťate kosačku,
 - pred odstránením upchatia alebo čistením zaneseneho žľabu,
 - pred kontrolou, čistením alebo prácou na kosačke,
 - po náraze na cudzí predmet. Pred opätovným naštartovaním a prevádzkou kosačky skontroluje, či nedošlo k poškodeniu kosačky a vykonajte prípadné opravy,
 - vždy, keď kosačka začne neštandardne vibrovať.
3. Kosačku nikdy neprevádzkujte, ak má poškodené chrániče alebo štíty, alebo bez bezpečnostných zariadení, napríklad vychyľovačov a/alebo lapača trávy, namontovaných na svojom mieste.
4. Kosačku nepoužívajte počas zlých poveternostných podmienok, najmä ak hrozí riziko bleskov.
5. Pri práci s kosačkou používajte ochranu zraku a pevnú obuv.
6. S kosačkou pracujte len pri dennom svetle alebo pri dobrom umelom osvetlení.
7. Podľa pokynov kosačky opatrne zapnite; nohy majte v dostatočnej vzdialenosti od čepele(i).
8. Dávajte pozor na poranenie nôh a rúk spôsobené čepeľami kosačky.
9. Vždy zabezpečte, aby boli vetracie otvory čisté a bez nečistôt.
10. Koste priečne po svahu; nikdy nekoste smerom nadol a nahor. Pri zmene smeru na svahoch dávajte maximálny pozor. Nekoste nadmerne strmé svahy.
11. Pri pohybe dozadu alebo pri ťahaní kosačky smerom k vám dávajte maximálny pozor.
12. Zastavte čepele pred sklopením kosačky z dôvodu presunu cez iné ako trávnaté miesta a pred prenášaním kosačky na miesto kosenia a z neho.
13. Pri zapínaní motora kosačku nenakláňajte, okrem prípadov, keď sa naklonenie vyžaduje pri naštartovaní. V takomto prípade kosačku nenakláňajte viac, než je potrebné, a zdvihnite iba časť, ktorá smeruje od obsluhy. Pred vrátením kosačky na zem vždy dajte obe ruky do polohy obsluhy.
14. Nestrkajte ruky ani nohy do blízkosti rotujúcich častí ani pod ne. Počas celej doby zabezpečte, aby sa vyprázdňovací otvor nezanášal.
15. Kosačku neprenášajte, ak je zapnutá.
16. Vyhňte sa používaniu kosačky v mokrej tráve.
17. Kosačku držte vždy pevne za rukoväť.
18. Pri dvíhaní alebo držaní kosačky sa nedotýkajte odhalených rezných čepeľí ani rezných hrán.
19. Zabráňte styku rúk a nôh s rotačnými čepeľami. Pozor – Po vypnutí kosačky sa čepele ešte otáčajú.
20. Ak spozorujete niečo nezvyčajné, okamžite prerušte prácu. Vypnite kosačku. Následne kosačku skontrolujte.
21. Ak má kosačka funkciu nastavenia výšky kosenia, nikdy sa nepokúšajte nastavovať výšku kosenia, keď je kosačka spustená.
22. Pred prechádzaním cez cestičky, chodníky, cesty a akékoľvek plochy so štrkovým krytým uvoľnite spinaciu páčku a počkajte, kým sa čepele nezastavia. Stroj vypnite aj v prípade, ak kosačku opúšťate, ak chcete zdvihnúť alebo odstrániť niečo na svojej trase pohybu, alebo z akéhokoľvek iného dôvodu, ktorý by mohol narušiť vykonávanie vašej činnosti.
23. Ak kosačka narazí na cudzí predmet, postupujte podľa nasledujúcich krokov:
 - Zastavte kosačku, uvoľnite spinaciu páčku a počkajte, kým sa čepele úplne nezastavia.
 - Vyberte akumulátor.
 - Dôkladne skontrolujte kosačku, či nedošlo k jej poškodeniu.
 - Ak je čepeľ akokoľvek poškodená, vymeňte ju. Pred opätovným naštartovaním alebo pred pokračovaním v prevádzkovaní kosačky odstráňte každé poškodenie.
24. Kosačku neštartujte, pokiaľ stojíte pred vyprázdňovacím otvorom.
25. Ak kosačka začne nadmerne vibrovať (okamžite skontrolujte)
 - zistite poškodenie,
 - vymeňte alebo opravte všetky poškodené diely,
 - skontrolujte a utiahnite všetky uvoľnené diely.
26. Nikdy nemierte vyhadzovanú trávu na iné osoby. Zabráňte vyhadzovaniu trávy na stenu alebo prekážku. Tráva sa môže odraziť späť smerom k obsluhu. Pri prechádzaní cez plochy so štrkom zastavte čepeľ.
27. Kosačku neťahajte dozadu, pokiaľ to nie je úplne nevyhnutné. Ak je nutné, aby ste s kosačkou cúvli od plota alebo inej podobnej prekážky, pred cúvaním aj počas cúvania sa pozerajte dole a dozadu.

28. Pred vybratím zachytávača trávy vypnite motor a počkajte, kým sa čepeľ úplne nezastaví. Nezabudnite, že čepeľ sa po vypnutí zastavuje postupne.
29. Keď používate zariadenie na blatistom podklade, mokrom svalu alebo klzkom povrchu, dbajte na správny postoj.
30. Neponárajte zariadenie do mláky.
31. Pri práci s kosačkou dávajte pozor na potrubia a káble.

Údržba a uskladnenie

1. Opotrebené alebo poškodené časti z bezpečnostných dôvodov vymeňte. Používajte len originálne náhradné diely a príslušenstvo.
2. Kosačku pravidelne kontrolujte a vykonávajte jej údržbu.
3. Keď sa kosačka nepoužíva, uskladnite ju mimo dosahu detí.
4. Všetky matice, svorníky a skrutky musia byť utiahnuté, aby ste mali istotu, že zariadenie je v bezpečnom pracovnom stave.
5. Pravidelne kontrolujte, či nedošlo k opotrebovaniu alebo poškodeniu lapača trávy. Pred uskladnením vyprázdňte lapač trávy. Opatrebovaný lapač trávy z bezpečnostných dôvodov vymeňte za náhradný lapač od výrobcu.
6. Používajte len originálne čepele špecifikované v tomto návode.
7. Počas nastavovania kosačky dávajte pozor, aby sa vám prsty nezachytili medzi pohybujúce sa čepele a pevné diely kosačky.
8. V pravidelných intervaloch kontrolujte správnosť utiahnutia upevňovacej skrutky čepele.
9. Pred uskladnením nechajte kosačku vychladnúť.
10. Pri vykonávaní údržby čepelí dávajte pozor, pretože aj pri vypnutí napájacieho zdroja sa čepele môžu naďalej otáčať.
11. Nikdy neodstraňujte ani neupravujte bezpečnostné zariadenia. Pravidelne kontrolujte ich správnu funkciu. Nikdy nerobte nič, čo by narušilo určenú funkciu bezpečnostného zariadenia alebo znížilo ochranu, ktorú bezpečnostné zariadenie poskytuje.
12. Nenechávajte zariadenie bez dozoru vonku v daždi.
13. Pri uskladnení zariadenia sa vyhýbajte priamemu slnku a dažďu a skladujte ho na mieste, kde nie je príliš teplo ani vlhko.

Používanie a starostlivosť o akumulátorový nástroj

1. Nabíjajte iba nabíjačkou určenou výrobcom. Nabíjačka vhodná pre jeden typ akumulátora môže pri inom type akumulátora spôsobiť riziko vzniku požiaru.
2. Elektrické nástroje používajte iba s príslušným typom akumulátora. Použitie iného typu akumulátora môže spôsobiť riziko vzniku požiaru a úrazu.
3. Keď sa akumulátor práve nepoužíva, skladujte ho mimo iných kovových predmetov ako sponky, mince, kľúče, klince, skrutky alebo iné malé kovové predmety, ktoré by mohli kontakty akumulátora skratovať. Skratovanie kontaktov akumulátora môže spôsobiť popálenie alebo požiar.

4. Pri nevhodných podmienkach môže z akumulátora vytekať tekutina. Nedotýkajte sa jej. Pri náhodnom kontakte ju opláchnite vodou. Ak kvapalina zasiahne oči, vyhľadajte lekársku pomoc. Kvapalina, ktorá vytekla z akumulátora, môže spôsobiť podráždenie alebo popálenie.
5. Nepoužívajte akumulátor alebo nástroj, ktorý je poškodený alebo upravovaný. Fungovanie poškodených alebo upravovaných akumulátorov ťažko predvídať a môžu zapríčiniť požiar, výbuch alebo zranenie.
6. Akumulátor ani nástroj nevystavujte ohňu či nadmernej teplote. Vystavenie ohňu alebo teploty nad 130 °C môže spôsobiť výbuch.
7. Dodržiavajte všetky pokyny pre nabíjanie a akumulátor ani nástroj nenabíjajte v prípade prekročenia teplotného rozsahu uvedeného v návode. Nesprávne nabíjanie alebo nabíjanie pri teplotách mimo uvedeného rozsahu môže spôsobiť poškodenie akumulátora a zvýšiť riziko požiaru.

Bezpečnosť pri práci s elektrickým náradím a akumulátorom

1. Akumulátor(y) nelikvidujte odhodením do ohňa. Článok môže vybuchnúť. Informácie o možných zvláštnych predpisoch týkajúcich sa likvidácie nájdete v miestnych zákonoch.
2. Akumulátor(y) neotvárajte ani neznehodnocujte. Uvoľnený elektrolyt je leptavý a môže spôsobiť poškodenie zraku alebo pokožky. V prípade požitia môže byť jedovatý.
3. Batériu nenabíjajte na daždi ani na mokrých miestach.
4. Akumulátor nenabíjajte v exteriéri.
5. Nedotýkajte sa nabíjačky vrátane zástrčky a nabíjajúcich svoriek mokrými rukami.
6. Akumulátor nevymieňajte v daždi.
7. Nezvlhčujte konektor akumulátora kvapalinou, napríklad vodou, ani neponárajte akumulátor do kvapalín. Akumulátor nenechávajte na daždi, ani ho nenabíjajte, nepoužívajte ani neskladujte na vlhkom alebo mokrom mieste. Ak sa konektor navlhčí alebo ak do akumulátora vnikne kvapalina, môže dôjsť k skratu akumulátora a hrozí riziko prehriatia, požiaru alebo výbuchu.
8. Po vytiahnutí akumulátora zo zariadenia alebo nabíjajúcej nezabudnite na akumulátor pripevniť kryt a uskladnite ho na suchom mieste.
9. Akumulátor nevymieňajte mokrými rukami.
10. Vyhýbajte sa nebezpečným prostrediam. Zariadenie nepoužívajte vo vlhkých alebo mokrých prostrediach ani ho nevystavujte dažďu. Ak do zariadenia vnikne voda, zvýši sa tým riziko zasiahnutia elektrickým prúdom.
11. Ak do akumulátora vnikne voda, vylejte ju a utrite ho suchou handrou. Pred opätovným používaním nechajte akumulátor úplne vyschnúť na suchom mieste.

Servis

1. Servis elektrického nástroja nechajte vykonať kvalifikovaným pracovníkom s použitím výhradne identických náhradných dielov. Tým zaistíte zachovanie bezpečnosti elektrického nástroja.

2. **Nikdy nevykonávajte servis poškodených akumulátorov.** Servis akumulátorov má vykonávať len výrobca alebo autorizovaní poskytovatelia servisných služieb.

TIETO POKYNY USCHOVAJTE.

VAROVANIE: NIKDY nepripustíte, aby seba-vedomie a dobrá znalosť výrobku (získané opakovaným používaním) nahradili presné dodržiavanie bezpečnostných pravidiel pre náradie.

NESPRÁVNE POUŽÍVANIE alebo nedodržiavanie bezpečnostných zásad uvedených v tomto návode môže viesť k vážnemu zraneniu.

Dôležité bezpečnostné a prevádzkové pokyny pre akumulátor

1. Pred použitím akumulátora si prečítajte všetky pokyny a výstražné označenia na (1) nabíjačke akumulátorov, (2) akumulátora a (3) produkte používajúcom akumulátor.
2. Akumulátor nerozoberajte ani neupravujte. Môže to viesť k požiaru, nadmernému teplu alebo výbuchu.
3. Ak sa doba prevádzky príliš skráti, ihneď prerušte prácu. Môže nastať riziko prehriatia, možných popálení či dokonca explózie.
4. V prípade zasiahnutia očí elektrolytom ich vypláchnite čistou vodou a okamžite vyhľadajte lekársku pomoc. Môže dôjsť k strate zraku.
5. Akumulátor neskratujte:
 - (1) Nedotýkajte sa konektorov žiadnym vodivým materiálom.
 - (2) Neskladujte akumulátor v obale s inými kovovými predmetmi, napríklad klincami, mincami a pod.
 - (3) Akumulátor nevystavujte vode ani dažďu. Skrat akumulátora môže spôsobiť veľký tok prúdu, prehriatie, možné popálenie či dokonca poruchu.
6. Nástroj ani akumulátor neskladujte a nepoužívajte na miestach s teplotou presahujúcou 50 °C (122 °F).
7. Akumulátor nespájajte, ani keď je vážne poškodený alebo úplne opotrebovaný. Akumulátor môže v ohni explodovať.
8. Akumulátor neprepichujte, neprerezávajte, nedrvté, nehádzte ani ho nenarúšajte údermi o tvrdé predmety. Môže to viesť k požiaru, nadmernému teplu alebo výbuchu.
9. Nepoužívajte poškodený akumulátor.
10. Litium-iónové akumulátory, ktoré sú súčasťou náradia, podliehajú požiadavkám legislatívy o nebezpečnom tovare.

V prípade obchodnej prepravy, napr. dodanie tretími stranami či špeditérmi, sa musia dodržiavať špeciálne požiadavky na zabalenie a označenie. Pred prípravou položky na odoslanie sa vyžaduje konzultácia s odborníkom na nebezpečný materiál. Taktiež treba dodržiavať potenciálne podrobnejšie predpisy príslušnej krajiny. Prelepte alebo zakryte otvorené kontakty a zabaľte akumulátor tak, aby sa v balíku nemohol voľne pohybovať.

11. Akumulátor pri likvidácii odstráňte z nástroja a zlikvidujte ho na bezpečnom mieste. Akumulátor zlikvidujte v súlade s miestnymi nariadeniami.
12. Akumulátory používajte iba s výrobkami uvedenými spoločnosťou Makita. Inštalácia akumulátorov do nevyhovujúcich výrobkov môže spôsobiť požiar, nadmerné teplo, výbuch alebo únik elektrolytov.
13. Ak sa nástroj dlhší čas nepoužíva, odstráňte z neho akumulátor.
14. Akumulátor sa môže počas používania a po použití zohriať, čo môže spôsobiť popálenie alebo popálenie aj pri relatívne nízkej teplote. Pri manipulácii s horúcimi akumulátormi dávajte pozor.
15. Nedotýkajte sa svorky nástroja ihneď po použití, keďže sa mohla zohriať dostatočne na to, aby spôsobila popálenie.
16. Zabráňte zachytávaniu triesok, prachu alebo zeme na svorkách, otvoroch a drážkach akumulátora. Môže to spôsobiť zohriatie, požiar, výbuch a poruchu nástroja alebo akumulátora, v dôsledku čoho môže dôjsť k popáleninám alebo zraneniu osôb.
17. Pokiaľ nástroj nepodporuje používanie v blízkosti vysokonapäťových elektrických vedení, nepoužívajte akumulátor blízko vysokonapäťových elektrických vedení. Môže to viesť k nesprávnemu fungovaniu alebo poškodeniu nástroja alebo akumulátora.
18. Akumulátor držte mimo dosahu detí.

TIETO POKYNY USCHOVAJTE.

POZOR: Používajte len originálne akumulátory od spoločnosti Makita. Používanie batérií, ktoré nie sú od spoločnosti Makita, alebo upravených batérií môže spôsobiť výbuch batérie a následný požiar, zranenie osôb alebo poškodeniu majetku. Následkom bude aj zrušenie záruky od spoločnosti Makita na nástroj a nabíjačku od spoločnosti Makita.

Rady na udržanie maximálnej životnosti akumulátora

1. Akumulátor nabíjajte ešte predtým, ako sa úplne vybije. Vždy prerušte prácu s nástrojom a nabíjajte akumulátor, keď spozorujete nižší výkon nástroja.
2. Nikdy nenabíjate plne nabitý akumulátor. Prebíjanie skracuje životnosť akumulátora.
3. Akumulátor nabíjajte pri izbovej teplote 10 °C – 40 °C (50 °F – 104 °F). Pred nabíjaním nechajte horúci akumulátor vychladnúť.
4. Keď akumulátor nepoužívate, vyberte ho z nástroja alebo nabíjačky.
5. Litium-iónový akumulátor nabíjajte, ak ste ho nepoužívali dlhšie ako šesť mesiacov.

ZOSTAVENIE

VAROVANIE: Pred vykonávaním akejkoľvek práce so zariadením vždy vyberte akumulátor. Ak sa akumulátor nevyberie, hrozí v prípade náhodného spustenia vážne zranenie.

VAROVANIE: Kosačku nikdy neštartujte, ak nie je úplne zmontovaná. Prevádzka čiastočne zmontovaného zariadenia môže pri náhodnom naštartovaní spôsobiť vážne zranenie.

Inštalácia krytu akumulátora

VAROVANIE: Akumulátor nezakladajte pred montážou krytu akumulátora. V opačnom prípade môže dôjsť k vážnemu úrazu.

Pred prevádzkou dôsledne nasadte kryt akumulátora. Kryt akumulátora chráni akumulátor kosačky pred blatom, nečistotami a vodou.

1. Umiestnite kryt akumulátora s výčnelkami na kosačku zarovnanými s otvormi v kryte akumulátora.
▶ **Obr.1:** 1. Výčnelok 2. Otvor 3. Kryt akumulátora
2. Položte ruky na stred krytu akumulátora a zatlačte ho.
▶ **Obr.2**
3. Uistite sa, že je kryt akumulátora bezpečne nasadený a že je kryt akumulátora bezpečne zaistený pomocou poistnej páčky.
▶ **Obr.3:** 1. Poistná páčka

Inštalácia rukoväti

POZOR: Bezpečne nainštalujte rukoväť.

UPOZORNENIE: Pri inštalácii rukoväti umiestnite kábel tak, aby sa medzi rukoväťami nemohol o nič zachytiť. V prípade poškodenia kabeláže nemusí spínač kosačky fungovať.

1. Umiestnite oba konce spodnej rukoväti do drážok v telese kosačky, potom utiahnite upínacie páky a nakoniec sklopte upínacie páky.
▶ **Obr.4:** 1. Upínacia páka 2. Spodná rukoväť

Pri uťahovaní upínacích pák ich uťahujte dovtedy, kým už prstence na páčkach nebudú viac viditeľné.

▶ **Obr.5:** 1. Prsteneček

POZNÁMKA: Po sklopení upínacích pák sa uistite, že medzi spodnou rukoväťou a telesom kosačky nie je žiadna medzera.
▶ **Obr.6**

2. Zarovnajete otvor v hornej rukoväti s otvorom v spodnej rukoväti, vložte skrutku zvonka, a potom dotiahnite vrúbkovanú maticu zvnútra. Rovnaký postup vykonajte aj na druhej strane.
▶ **Obr.7:** 1. Vrúbkovaná matica 2. Skrutka

POZNÁMKA: Hornú rukoväť držte pevne, aby vám nevypadla z ruky.

Odstránenie mulčovacej zátky

1. Otvorte zadný kryt.
▶ **Obr.8:** 1. Zadný kryt
2. Rukou uchopte mulčovaciu zátku a vytiahnite ju z telesu kosačky, ako je znázornené na obrázku.
▶ **Obr.9:** 1. Rukoväť 2. Mulčovacia zátku

Montáž alebo demontáž lapača trávy

Pri montáži lapača trávy postupujte podľa nasledujúcich krokov.

1. Otvorte zadný kryt.
▶ **Obr.10:** 1. Zadný kryt
2. Držte rukoväť lapača trávy a háčikmi ho zachyťte o tyč na tele kosačky podľa zobrazenia na obrázku.
▶ **Obr.11:** 1. Tyč 2. Rukoväť 3. Lapač trávy

Pri demontáži lapača trávy otvorte zadný kryt a uchopte rukoväť lapača trávy vyberte.

Pripevnenie mulčovacej zátky

1. Otvorte zadný kryt a potom vyberte lapač trávy.
▶ **Obr.12:** 1. Zadný kryt 2. Lapač trávy
2. Uchopte mulčovaciu zátku za rukoväť a pripojte ju k telesu kosačky zatlačením až na doraz, ako je znázornené na obrázku.
▶ **Obr.13:** 1. Rukoväť 2. Mulčovacia zátku

OPIS FUNKCIÍ

POZOR: Pred úpravou alebo kontrolou funkčnosti zariadenia vždy skontrolujte, či je zariadenie vypnuté a akumulátor je vybratý.

Inštalácia alebo demontáž akumulátora

POZOR: Pred inštaláciou alebo vybratím akumulátora zariadenie vždy vypnite.

POZOR: Pri vkladaní alebo vyberaní akumulátora zariadenie držte pevne. Ak zariadenie a akumulátor pevne neuchopíte, môže to mať za následok ich vyšmyknutie z vašich rúk s následkom poškodenia zariadenia a akumulátora, ako aj zranení osôb.

POZOR: Pred použitím zaistite kryt akumulátora. V opačnom prípade môžu blato, nečistoty alebo voda poškodiť výrobok alebo akumulátor.

POZOR: Akumulátor vždy nainštalujte úplne, až kým nie je vidieť červený indikátor. V opačnom prípade môže náhodne vypadnúť zo zariadenia a ublížiť vám alebo osobám v okolí.

POZOR: Pri inštalovaní akumulátora nepoužívajte silu. Ak sa akumulátor nedá zasunúť ľahko, nekladáte ho správne.

POZOR: Pri inštalovaní alebo demontáži akumulátora pevne uchopte kryt akumulátora.

Inštalácia akumulátora:

1. Potiahnite poistnú páčku nahor a potom otvorte kryt akumulátora.
► **Obr.14:** 1. Kryt akumulátora 2. Poistná páčka
2. Zarovnajzte výčnelok akumulátora s otvorom v kosačke, následne akumulátor zasúvajte do kosačky, kým sa zaistí na mieste a ozve sa slabé cvaknutie.
► **Obr.15:** 1. Akumulátor
3. Pevne zatvorte kryt akumulátora.

Vybratie akumulátora z kosačky:

1. Potiahnite poistnú páčku nahor a otvorte kryt akumulátora.
2. Pri vyberaní akumulátor vysuňte z kosačky posúvaním tlačidla na prednej strane akumulátora.
3. Zatvorte kryt akumulátora.

Systém na ochranu zariadenia/akumulátora

Zariadenie je vybavené systémom ochrany zariadenia/akumulátora. Tento systém automaticky vypne napájanie motora s cieľom predĺžiť životnosť zariadenia a akumulátora. Zariadenie sa počas prevádzky automaticky zastaví v prípade, ak sa zariadenie alebo akumulátor dostanú do jedného z nasledujúcich stavov.

Ochrana proti preťaženiu

Keď sa zariadenie/akumulátor používajú spôsobom, ktorý spôsobuje nadmerný odber prúdu, zariadenie sa automaticky zastaví a indikátor sa rozsvieti načerveno. V tejto situácii vypnite zariadenie a ukončíte používanie, ktoré spôsobuje jeho preťažovanie. Potom zariadenie zapnutím znova spustíte.

Ochrana pred prehrievaním

Keď je zariadenie prehriate, automaticky sa zastaví a indikátor bude svietiť načerveno. Pred opätovným zapnutím nechajte zariadenie vychladnúť.

Ochrana pred nadmerným vybitím

Keď je kapacita akumulátora nízka, zariadenie sa automaticky vypne a indikátor sa rozsvieti načerveno. Ak zariadenie nebude fungovať ani po použití vypínačov, vyberte zo zariadenia akumulátor a nabite ho.

Ochrana pred ďalšími nebezpečenstvami

Systém ochrany bol navrhnutý tak, aby chránil aj pred ďalšími nebezpečenstvami, ktoré by mohli poškodiť stroj, a zaisťuje automatické zastavenie stroja. Ak sa stroj dočasne zastavil alebo prerušil prevádzku, problém vyriešite vykonaním všetkých nasledujúcich krokov.

1. Reštartujte stroj tak, že ho vypnete a potom znova zapnete.
2. Nabite akumulátory alebo ich vymeňte za nabité akumulátory.
3. Nechajte stroj aj akumulátory vychladnúť.

Ak po obnovení systému ochrany nedošlo k zlepšeniu stavu, obráťte sa na miestne servisné stredisko spoločnosti Makita.

UPOZORNENIE: Ak sa stroj vypne z dôvodov, ktoré nie sú opísané vyššie, pozrite si riešenie problémov.

POZNÁMKA: Čas, kedy sa kontrolka rozsvieti, závisí od teploty na pracovisku a na stave akumulátora.

Indikácia zvyšnej kapacity akumulátora












► **Obr.16:** 1. Indikátor

Ak je zostávajúca kapacita akumulátora nízka, indikátor bliká načerveno. Pri ďalšom použití sa zariadenie zastaví a indikátor sa rozsvieti načerveno. V takej situácii nabite akumulátor.

Indikácia zvyšnej kapacity akumulátora

Stlačením tlačidla kontroly na akumulátore zobrazíte zostávajúcu kapacitu akumulátora. Indikátory sa na niekoľko sekúnd rozsvietia.

► **Obr.17:** 1. Indikátory 2. Tlačidlo kontroly

Indikátory			Zostávajúca kapacita
 Svieti	 Nesvieti	 Bliká	
			75 % až 100 %
			50 % až 75 %
			25 % až 50 %
			0 % až 25 %
			Akumulátor nabite.
			Akumulátor je možno chybný.
			

POZNÁMKA: V závislosti od podmienok používania a v závislosti od okolitej teploty sa môže zobrazenie mierne odlišovať od skutočnej kapacity.

POZNÁMKA: Prvý (úplne vľavo) svetelný indikátor bude blikat, keď systém ochrany akumulátora funguje.

Zapínanie

VAROVANIE: Pred nainštalovaním akumulátora sa vždy presvedčte, či sa spínacia páčka správne aktivuje a či sa po uvoľnení vracia do pôvodnej polohy. Prevádzka zariadenia s nesprávne fungujúcim spúšťacím spínačom môže viesť k strate ovládania a k vážnym zraneniam osôb.

POZNÁMKA: Kosačka nenaštartuje bez stlačenia spínača ani po potiahnutí za spínaciu páčku.

POZNÁMKA: Kosačka sa nemusí spustiť v dôsledku preťaženia, keď sa pokúšate kosiť dlhú alebo hustú trávu. V tomto prípade zvýšte výšku kosenia.

Tento stroj je vybavený tlačidlom spínača. Ak spozorujete na tlačidlo spínača niečo nezvyčajné, okamžite zastavte prevádzku a nechajte ho skontrolovať v najbližšom autorizovanom servisnom stredisku spoločnosti Makita.

1. Nainštalujte akumulátor a potom pevne zatvorte kryt akumulátora.
2. Potiahnite spíniacu páčku k sebe a súčasne držte stlačené tlačidlo spínača. Len čo motor naštartuje, uvoľnite tlačidlo spínača.
► **Obr.18:** 1. Spínač 2. Spíniacia páčka
3. Motor zastavíte uvoľnením spínacej páčky.

Nastavenie výšky kosenia

VAROVANIE: Pri nastavovaní výšky kosenia nikdy nekladte ruku ani nohu pod telo kosačky.

VAROVANIE: Pred prevádzkovaním zasuňte páčku správnym spôsobom do drážky.

Výšku kosenia možno nastaviť v rozsahu 20 mm až 75 mm.

Vypnite stroj, potom potiahnite páčku nastavenia výšky kosenia smerom von z tela kosačky a presuňte ju do požadovanej výšky kosenia.

► **Obr.19:** 1. Páčka na nastavenie výšky kosenia

V nasledujúcej tabuľke je uvedený vzťah medzi číslom na tele kosačky a približnou výškou kosenia.

Číslo	Výška kosenia
1	20 mm
2	29 mm
3	36 mm
4	44 mm
5	53 mm
6	61 mm
7	69 mm
8	75 mm

POZNÁMKA: Číselné hodnoty výšky kosenia slúžia ako pomôcka. V závislosti od stavu trávnik alebo pôdy sa môže skutočná výška od tej nastavenej mierne odlišovať.

POZNÁMKA: Aby ste dosiahli požadovanú výšku, vyskúšajte si kosenie trávy na menej nápadnom mieste.

Indikátor množstva trávy

► **Obr.20:** 1. Indikátor množstva trávy

Indikátor množstva trávy signalizuje objem pokosenej trávy.

- Ak lapač trávy nie je plný, indikátor sa počas kosenia pohybuje.
- Ak je lapač trávy plný, indikátor sa počas kosenia nepohybuje. V tomto prípade okamžite prestaňte kosiť a lapač vyprázdňte. Po vyprázdnení lapač vyčistite, aby cez otvory v sieťke prúdil vzduch.

POZNÁMKA: Tento indikátor je len približný. V závislosti od stavu vnútri lapača nemusí tento indikátor fungovať správne.

Nastavenie výšky rukoväte

POZOR: Pred odstránením skrutiek pevne uchopte hornú rukoväť. Inak môže rukoväť spadnúť a spôsobiť zranenie.

Výšku rukoväti možno nastaviť na dvoch úrovniach.

1. Povoľte vrúbkované matice na rukoväti a odstráňte skrutky a vrúbkované matice.
► **Obr.21:** 1. Vrúbkovaná matica
2. Nastavte výšku rukoväte.
3. Vložte zvonka skrutky a potom zvnútra dotiahnite vrúbkované matice.

Použitie mulčovacej zátky

Mulčovacia zátka umožňuje vrátiť pokosenú trávu späť na trávnik bez toho, aby sa táto tráva dostala do lapača trávy. Pri používaní zariadenia s mulčovacou zátkou nezabudnite odstrániť lapač trávy.

UPOZORNENIE: Pri používaní zariadenia s mulčovacou zátkou sa uistite, že celková výška trávy po kosení je minimálne 30 mm, alebo že výška kosenia je maximálne 15 mm.

► **Obr.22:** (1) Minimálne 30 mm (2) Maximálne 15 mm

PREVÁDZKA

Kosenie

VAROVANIE: Pred koseníím vždy odstráňte konáre a kamene z miesta kosenia. Z plochy, ktorú budete kosiť, okrem toho vopred odstráňte burinu.

VAROVANIE: Pri práci s kosačkou vždy používajte ochranný štít na tvár alebo ochranné okuliare s bočnými štítmí.

POZOR: Ak vnútro tela kosačky upchá pokosená tráva alebo cudzí predmet, vyberte akumulátory a pred odstránením trávy alebo cudzieho predmetu si nasadzte rukavice.

UPOZORNENIE: Toto zariadenie používajte iba na kosenie trávy. Týmto zariadením nekoste burinu.

► **Obr.23**

Počas kosenia držte rukoväť pevne obidvomi rukami.

Orientačná rýchlosť kosenia je približne 2 až 4 sekundy na 1 meter.

► **Obr.24**

POZNÁMKA: Ak sa po kosení vysokého alebo hustého trávnik zistí nerovnomerná dĺžka trávnik alebo nedokonalá konečná úprava, alebo sa počas kosenia zistí zníženie otáčok motora, znížte rýchlosť kosenia pod odporúčanie v tomto návode alebo zvýšte výšku kosenia.

Stredové línie predných kolies slúžia ako pomôcka na určenie šírky kosenia. Kosenie vykonávajte postupne v pásoch, pričom ako orientačnú pomôcku použite stredové línie. Aby bol trávnik rovnomerne pokosený, prekryte predchádzajúci pokosený pás o jednu polovicu až jednu tretinu.

► **Obr.25:** 1. Šírka kosenia 2. Prekrývajúca časť 3. Stredová línia

Smer kosenia zakaždým zmeňte, aby sa na trávě nevytvoril vzor zrna, ktorý vzniká pri kosení iba jedným smerom.

► **Obr.26**

Pravidelne kontrolujte množstvo pokosenej trávy v lapači. Lapač vyprázdňte ešte pred jeho naplnením. Pred každou pravidelnou kontrolou nezabudnite zastaviť a vypnúť stroj.

UPOZORNENIE: Používanie kosačky s plným lapačom trávy bráni plynulému otáčaniu čepele, pričom dochádza k zvýšenému zaťaženiu motora, ktorý sa môže poškodiť.

Kosenie trávnik s vysokou trávou

Vysokú trávou sa nesnažte kosiť na jeden záber. Namiesto toho koste trávnik v niekoľkých krokoch. Jednotlivé kosenia vykonávajte s jedno- alebo dvojdňovou pauzou a postupujte taktó, kým trávnik nie je rovnomerne pokosený.

POZNÁMKA: Radikálne skosenie dlhej trávy na krátky rozmer môže spôsobiť odumretie trávy. Okrem toho sa pokosená tráva môže zaseknúť vnútri tela kosačky.

Vyprázdnenie lapača trávy

VAROVANIE: Aby ste znížili riziko úrazu, pravidelne kontrolujte lapač trávy, či nie je poškodený alebo oslabený. V prípade potreby vymeňte lapač trávy.

1. Uvoľnite spínaciu páčku.
2. Vyberte akumulátor.
3. Otvorte zadný kryt a uchopením rukoväti lapača trávy vyberte.
► **Obr.27:** 1. Zadný kryt 2. Rukoväť
4. Vyprázdňte lapač trávy.

ÚDRŽBA

VAROVANIE: Pred uskladnením, prenášaním, vykonávaním kontroly alebo údržby zariadenia sa vždy uistite, že ste vybrali akumulátor.

VAROVANIE: Kontrolu alebo údržbu vždy vykonávajte v rukaviciach.

VAROVANIE: Pri vykonávaní kontroly alebo údržby vždy používajte ochranný štít na tvár alebo ochranné okuliare s bočnými štítmí.

UPOZORNENIE: Nepoužívajte benzín, riedidlo, alkohol ani podobné látky. Mohlo by to spôsobiť zmenu farby, deformácie alebo praskliny.

Ak chcete udržať BEZPEČNOSŤ a BEZPORUCHOVOSŤ výrobku, prenechajte opravy, údržbu a nastavenie na autorizované alebo továrenské servisné centrá Makita, ktoré používajú len náhradné diely značky Makita.

Údržba

1. Vyberte akumulátor a potom zatvorte kryt akumulátora.
2. Otočte kosačku nabok. Vyčistite zvyšky trávy nahromadené v spodnej časti skrine kosačky.
3. Vodu smerujte k spodnej časti zariadenia, ku ktorej je pripevnená čepeľ.

UPOZORNENIE: Zariadenie neumývajte vodou pod vysokým tlakom.

4. Skontrolujte uťahnutie všetkých matíc, svorníkov, skrutiek atď.
5. Skontrolujte, či pohyblivé časti nie sú poškodené, zlomené alebo opotrebované. Poškodené alebo chýbajúce časti treba opraviť alebo nahradiť.
6. Kosačku odložte na bezpečné miesto mimo dosahu detí.

Uskladnenie

POZOR: Keď dávate zariadenie do vzpriamenej polohy, umiestnite ho na rovnú a stabilnú plochu. Ak je zariadenie umiestnené na nestabilnej ploche, môže sa prevrátiť a spôsobiť zranenie.

Kosačku uskladnite vnútri na chladnom, suchom a uzamknutom mieste. Kosačku a nabíjačku neskladujte na miestach, kde môže teplota dosiahnuť či prekročiť 40 °C.

1. Vyberte akumulátor.
2. Odstráňte lapač trávy.
3. Rozložte upínacie páky, potom sklopte rukoväť a následne sklopte upínacie páky.
► **Obr.28:** 1. Upínacia páka
4. Uvoľnite vrúbkované matice rukoväti a potom sklopte hornú rukoväť.
► **Obr.29:** 1. Vrúbkovaná matica 2. Horná rukoväť
5. Umiestnite zariadenie do vzpriamenej polohy.

POZNÁMKA: Pri ukladaní kosačky do vzpriamenej polohy kosačku nedržte len za rukoväť, ale uchopte ju za skriňu kosačky aj rukoväť.

6. Lapač trávy uložte medzi rukoväť a hlavnú časť kosačky.

► **Obr.30:** 1. Lapač trávy

Prenášanie kosačky

▲POZOR: Pred prenášaním kosačky nezabudnite vybrať akumulátor.

Pri prenášaní kosačky uchopte zadné držadlo a spodnú časť na uchopenie v prednej časti zariadenia tak, ako je znázornené na obrázku.

► **Obr.31:** 1. Spodná časť na uchopenie 2. Zadné držadlo

Demontáž alebo montáž čepele kosačky

▲VAROVANIE: Pri demontáži alebo inštalácii čepele vždy vyberte akumulátor. Ak nevyberiete akumulátor, môže to spôsobiť vážne zranenie.

▲VAROVANIE: Po uvoľnení spínača sa čepeľ bude ešte chvíľu otáčať. Ďalšiu prácu nezačínajte, kým sa čepeľ úplne nezastaví.

▲VAROVANIE: Pri manipulácii s čepeľou vždy používajte rukavice.

UPOZORNENIE: Pri demontáži alebo montáži čepele kosačky použite nástrčný kľúč, ktorý je súčasťou balenia zariadenia.

Demontáž čepele kosačky

1. Otočte kosačku nabok tak, aby páčka na nastavenie výšky kosenia bola navrchu.

2. Otáčanie čepele zablokujte vložím kolíka alebo nástroja ako skrutkovač do otvoru v telese kosačky.

3. Kľúčom otáčajte skrutku proti smeru hodinových ručičiek.

► **Obr.32:** 1. Čepeľ kosačky 2. Kľúč 3. Skrutkovač 4. Otvor

4. Odstráňte skrutku a čepeľ v uvedenom poradí.

► **Obr.33:** 1. Držiak čepele 2. Čepeľ kosačky 3. Skrutka

Inštalácia čepele kosačky

Pri montáži čepele kosačky vykonajte kroky demontáže v opačnom poradí.

▲VAROVANIE: Montáž čepele kosačky vykonávajte opatrne. Čepeľ má vrchnú a spodnú stranu.

▲VAROVANIE: Pevným utiahnutím skrutky v smere hodinových ručičiek čepeľ zaistíte.

▲VAROVANIE: Skontrolujte, či sú čepeľ kosačky a všetky upevňovacie súčasti správne nainštalované a pevne utiahnuté.

▲VAROVANIE: Pri výmene čepele vždy dodržiavajte pokyny uvedené v tomto návode.

UPOZORNENIE: Pri ut'ahovaní skrutky na montáž čepele kosačky použite ut'ahovací moment 19 – 29 N•m (hodnoty sú len referenčné).

RIEŠENIE PROBLÉMOV

Pred požiadanim o vykonanie opravy najprv vykonajte vlastnú kontrolu. Ak zistíte problém, ktorý nie je vysvetlený v tomto návode, nepokúšajte sa stroj rozoberať. Namiesto toho požiadajte o opravu autorizované servisné strediská spoločnosti Makita, ktoré používajú len náhradné diely značky Makita.

Chybný stav	Predpokladaná príčina (porucha)	Náprava
Kosačka neštartuje.	Nie je nainštalovaný akumulátor.	Nainštalujte nabitý akumulátor.
	Problém akumulátora (podpätie)	Akumulátor znova nabite. Pokiaľ nabíjanie nie je účinné, vymeňte akumulátor.
Motor po krátkom používaní zastane.	Nabitie akumulátora nie je dostatočné.	Akumulátor znova nabite. Pokiaľ nabíjanie nie je účinné, vymeňte akumulátor.
	Výška kosenia je nastavená na nízku hodnotu.	Zväčšite výšku kosenia.
Motor nedosahuje maximálne otáčky.	Akumulátor nie je nainštalovaný správne.	Akumulátor nainštalujte podľa popisu v tomto návode.
	Výkon akumulátora klesá.	Akumulátor znova nabite. Pokiaľ nabíjanie nie je účinné, vymeňte akumulátor.
	Systém pohonu nefunguje správne.	O opravu požiadajte miestne autorizované servisné stredisko.
Čepeľ kosačky sa neotáča: ⇒ okamžite kosačku zastavte!	V blízkosti čepele sa zasekol cudzí predmet, napr. konár.	Odstráňte cudzí predmet.
	Systém pohonu nefunguje správne.	O opravu požiadajte miestne autorizované servisné stredisko.
Nadmerné vibrácie: ⇒ okamžite kosačku zastavte!	Čepeľ je nevyvážená, je nadmerne alebo nerovnomerne opotrebovaná.	Vymeňte čepeľ.

VOLITEĽNÉ PRÍSLUŠENSTVO

⚠ POZOR: Pre váš výrobok Makita opísaný v tomto návode odporúčame používať toto príslušenstvo alebo nadstavce. Pri použití iného príslušenstva či nadstavcov môže hroziť nebezpečenstvo zranenia osôb. Príslušenstvo a nadstavce sa môžu používať len na stanovené účely.

Ak potrebujete bližšie informácie týkajúce sa tohoto príslušenstva, obráťte sa na vaše miestne servisné stredisko firmy Makita.

- Čepeľ kosačky
- Originálna batéria a nabíjačka Makita

POZNÁMKA: Niektoré položky zo zoznamu môžu byť súčasťou balenia produktu vo forme štandardného príslušenstva. Rozsah týchto položiek môže byť v každej krajine odlišný.

SPECIFIKACE

Model:		LM003G	LM004G
Šířka sečení (průměr nožů)		380 mm	430 mm
Otáčky bez zatížení		3 800 min ⁻¹	
Číslo dílu náhradního sekacího nože	Rovný sekací nůž	1913G8-3	1913H4-8
	Mulčovací nůž	1913H0-6	1913H6-4
Rozměry (D x Š x V)	provozní	D: 1 370 mm až 1 420 mm Š: 450 mm V: 990 mm až 1 020 mm	D: 1 390 mm až 1 440 mm Š: 460 mm V: 990 mm až 1 020 mm
	při skladování (bez koše na trávu)	520 mm x 450 mm x 880 mm	520 mm x 460 mm x 885 mm
Jmenovité napětí		36 V – 40 V DC max	
Čistá hmotnost		14,9 – 17,3 kg	15,6 – 18,2 kg
Stupeň ochrany		IPX4	

- Vzhledem k neustálému výzkumu a vývoji zde uvedené technické údaje podléhají změnám bez upozornění.
- Specifikace se mohou pro různé země lišit.
- Hmotnost se může lišit v závislosti na nástavcích a přídatných zařízeních, včetně akumulátoru. Nejlehčí a nejtěžší kombinace, dle EPTA-Procedure 01/2014, jsou uvedeny v tabulce níže.

Použitelný akumulátor a nabíječka

Akumulátor	BL4020 / BL4025 / BL4040 / BL4040F / BL4050F / BL4080F
Nabíječka	DC40RA / DC40RB / DC40RC / DC40WA







- V závislosti na regionu vašeho bydliště nemusí být některé akumulátory a nabíječky k dispozici.

VAROVÁNÍ: Používejte pouze výše uvedené akumulátory a nabíječky. Použití jiných akumulátorů a nabíječek může způsobit zranění a/nebo požár.

VAROVÁNÍ: Tento stroj nenapájejte ze sítě prostřednictvím adaptéru baterie nebo přenosného akumulátoru. Kabel tohoto zdroje napájení může bránit provozu a způsobit zranění osob.

Symbols

Níže jsou uvedeny symboly, se kterými se můžete při použití náradí setkat. Je důležité, abyste dříve, než s ním začnete pracovat, pochopili jejich význam.

	Buďte obzvláště opatrní a dávejte pozor.
	Přečtěte si návod k obsluze.
	Nebezpečí – pozor na odmrštěné předměty.
	Vzdálenost mezi strojem a přihlízejícími osobami musí být alespoň 15 m.
	Nikdy nepřibližujte ruce ani nohy do blízkosti sekacího nože v dolní části sekačky. Sekací nože se po vypnutí motoru nadále otáčejí.
	Varování: Před údržbou odpojte akumulátor.



Pouze pro země EU

Z důvodu přítomnosti nebezpečných součástí v zařízeních mohou odpadní elektrické a elektronické zařízení, akumulátory a baterie negativně ovlivnit životní prostředí a lidské zdraví. Elektrické a elektronické spotřebiče ani akumulátory nevyhazujte do domovního odpadu! V souladu s evropskou směrnicí o odpadních elektrických a elektronických zařízeních, akumulátorech a bateriích a odpadních akumulátorech a bateriích, stejně jako jejím přizpůsobením ve vnitrostátním právu, by odpadní elektrická zařízení, baterie a akumulátory měly být uchovávány odděleně a měly by být odevzdaný na vyhrazeném sběrném místě komunálního odpadu, které je provozováno v souladu s předpisy na ochranu životního prostředí. Toto je označeno symbolem přeškrtnuté popelnice na kolečkách, který je umístěn na zařízení.



Zaručená hladina akustického výkonu podle směrnice EU o hluku ve venkovním prostoru.



Hladina akustického výkonu podle nařízení australské vlády NSW o kontrole hluku

Účel použití

Stroj je určen k sečení trávy.

Hlučnost

Typická vážená hladina hluku (A) určená podle normy EN62841-4-3:

Model LM003G

Naměřená hladina akustického výkonu (L_{WA}): 90 dB (A)
Garantovaná hladina akustického výkonu (L_{WA}): 93 dB (A)
Hladina akustického tlaku (L_{pA}): 83 dB(A)
Nejistota hladiny akustického tlaku (K): 3 dB(A)

Model LM004G

Naměřená hladina akustického výkonu (L_{WA}): 90 dB (A)
Garantovaná hladina akustického výkonu (L_{WA}): 93 dB (A)
Hladina akustického tlaku (L_{pA}): 81 dB(A)
Nejistota hladiny akustického tlaku (K): 3 dB(A)

POZNÁMKA: Celková(é) hodnota(y) emisí hluku byla(y) změřena(y) v souladu se standardní zkušební metodou a dá se použít k porovnání nářadí mezi sebou.

POZNÁMKA: Hodnotu(y) deklarovaných emisí hluku lze také použít k předběžnému posouzení míry expozice vibracím.

VAROVÁNÍ: Používejte ochranu sluchu.

VAROVÁNÍ: Emise hluku se při používání elektrického nářadí ve skutečnosti mohou od deklarované(y) hodnot(y) lišit v závislosti na způsobech použití nářadí.

VAROVÁNÍ: Nezapomeňte stanovit bezpečnostní opatření na ochranu obsluhy podle odhadu expozice ve skutečných podmínkách použití. (Vezměte přitom v úvahu všechny části provozního cyklu, tj. kromě doby zátěže například doby, kdy je nářadí vypnuté a kdy běží naprázdno.)

Vibrace

Celková hodnota vibrací (vektorový součet tří os) určená podle normy EN62841-4-3:

Model LM003G

Emise vibrací (a_h): 2,5 m/s² nebo méně
Nejistota (K): 1,5 m/s²

Model LM004G

Emise vibrací (a_h): 2,5 m/s² nebo méně
Nejistota (K): 1,5 m/s²

POZNÁMKA: Celková(é) hodnota(y) deklarovaných vibrací byla(y) změřena(y) v souladu se standardní zkušební metodou a dá se použít k porovnání nářadí mezi sebou.

POZNÁMKA: Celkovou(é) hodnotu(y) deklarovaných vibrací lze také použít k předběžnému posouzení míry expozice vibracím.

VAROVÁNÍ: Emise vibrací se při používání elektrického nářadí ve skutečnosti mohou od deklarované(y) hodnot(y) lišit v závislosti na způsobech použití nářadí.

VAROVÁNÍ: Nezapomeňte stanovit bezpečnostní opatření na ochranu obsluhy podle odhadu expozice ve skutečných podmínkách použití. (Vezměte přitom v úvahu všechny části provozního cyklu, tj. kromě doby zátěže například doby, kdy je nářadí vypnuté a kdy běží naprázdno.)

Prohlášení o shodě

Pouze pro evropské země

Prohlášení o shodě jsou obsažena v Příloze A tohoto návodu k obsluze.

BEZPEČNOSTNÍ VÝSTRAHY

Obecná bezpečnostní upozornění k elektrickému nářadí

VAROVÁNÍ Přečtěte si všechny bezpečnostní výstrahy i pokyny a prohlédněte si ilustrace a specifikace dodané k tomuto elektrickému nářadí. Nedodržení všech níže uvedených pokynů může vést k úrazu elektrickým proudem, požáru a/nebo vážnému zranění.

Všechna upozornění a pokyny si uschovejte pro budoucí potřebu.

Pojem „elektrické nářadí“ v upozorněních označuje elektrické nářadí, které se zapojuje do elektrické sítě, nebo elektrické nářadí využívající akumulátory.

Bezpečnostní varování k akumulátorové sekačce na trávu

1. **Sekačku na trávu nepoužívejte za nepříznivého počasí, zvláště existuje-li nebezpečí bouřek.** Snižuje se tím riziko zásahu obsluhy bleskem.
2. **Místo použití sekačky na trávu pečlivě zkontrolujte, zda se tam nenachází zvíř.** Za provozu sekačky na trávu může dojít ke zranění zvířete.
3. **Pečlivě zkontrolujte oblast použití sekačky na trávu a odstraňte veškeré kameny, větve, dráty, kosti a další cizí předměty.** Vystřelené předměty mohou způsobit zranění.
4. **Před použitím sekačky na trávu vždy vizuálně zkontrolujte, zda nože a sestava nožů nejsou opotřebené nebo poškozené.** Opotřebené nebo poškozené díly zvyšují riziko zranění.
5. **Často kontrolujte zachycovač trávy, zda není opotřebený či poškozený.** Opotřebený nebo poškozený zachycovač trávy zvyšuje riziko zranění.
6. **Udržujte kryty na jejich místě. Kryty musí být ve funkčním stavu a správně uchycené.** Kryt, který je uvolněný, poškozený nebo nefunguje správně, může způsobit zranění.

7. **Zajistěte, aby všechny přívody chladicího vzduchu byly prosté nečistot.** Zablokované vzduchové otvory a úlomky mohou mít za následek přehřátí nebo nebezpečí požáru.
8. **Při obsluze sekačky na trávu vždy noste neklouzavou ochrannou obuv. Se sekačkou na trávu nepracujte naboso ani v otevřené obuvi.** Tím se snižuje nebezpečí zranění nohou při kontaktu s pohyblivým se nožem.
9. **Při obsluze sekačky na trávu vždy noste dlouhé kalhoty.** Odhalená kůže zvyšuje pravděpodobnost zranění vymrštěnými předměty.
10. **Se sekačkou na trávu nepracujte v mokré trávě. Krácejte – nikdy neběhejte.** Tím snížíte nebezpečí uklouznutí a pádu a případného následného zranění.
11. **Nepruvozujte sekačku na trávu na mimořádně strmých svazích.** Tím snížíte nebezpečí ztráty kontroly, uklouznutí a pádu a případného následného zranění.
12. **Při práci na svazích vždy zkontrolujte, zda máte pevnou půdu pod nohama, pracujte vždy napříč svahem, nikdy směrem nahoru nebo dolů, a buďte mimořádně opatrní při změně směru.** Tím snížíte nebezpečí ztráty kontroly, uklouznutí a pádu a případného následného zranění.
13. **Při couvání či tahání sekačky na trávu směrem k sobě buďte mimořádně opatrní. Vždy dávejte pozor na okolí.** Tím se snižuje nebezpečí klopýtnutí při práci.
14. **Nedotýkejte se nožů a dalších nebezpečných pohyblivých dílů, když se pohybují.** Tím se snižuje nebezpečí zranění pohyblivými díly.
15. **Při odstraňování zaseknutého materiálu nebo čištění sekačky na trávu dávejte pozor, aby všechny vypínače byly vypnuté a byl odpojen akumulátor.** Neúmyslné spuštění sekačky na trávu může způsobit vážné zranění.

2. **Nikdy nedovolte, aby sekačku obsluhovaly děti nebo osoby neobeznámené s těmito pokyny. Věk obsluhy může být omezen místními předpisy.**
3. **Se sekačkou nikdy nepracujte v blízkosti osob, zvláště pak dětí, ani domácích zvířat.**
4. **Pamatujte, že za nehody nebo ohrožení jiných osob a jejich majetku odpovídá obsluha či uživatel.**
5. **Děti musí být pod dohledem, aby si se sekačkou nehrály.**
6. **Fyzický stav: Se sekačkou nepracujte pod vlivem omamných látek, alkoholu či léků.**

Příprava

1. **Při obsluze sekačky vždy noste pevnou obuv a dlouhé kalhoty. Se sekačkou nepracujte naboso ani v otevřené obuvi. Nenoste volný oděv a šperky ani oděv či šperky s visícími třásněmi či šňůrkami.** Mohlo by dojít k zachycení pohyblivými díly.
2. **Před použitím vždy sekačku zrakem zkontrolujte, zda není poškozena, případně zda nechybí či nejsou poškozeny kryty a štíty.**
3. **Před sekáním se ujistěte, že se v oblasti nepohybují žádné osoby. Jestliže do pracovní oblasti někdo vstoupí, sekačku vypněte.**
4. **Při používání elektrického nářadí vždy noste ochranné brýle určené k ochraně zraku. Ochranné brýle musí splňovat požadavky normy ANSI Z87.1 v USA, EN 166 v Evropě nebo AS/NZS 1336 v Austrálii a na Novém Zélandu. V Austrálii a na Novém Zélandu je dle zákona též nutné nosit obličejový štít chránící obličej.**

TYTO POKYNY USCHOVEJTE.

VAROVÁNÍ: NEDOVOLTE, aby pohodlnost nebo pocit znalosti výrobku (získaný na základě předchozího použití) vedl k zanedbání dodržování bezpečnostních pravidel platných pro tento výrobek.

NESPRÁVNÉ POUŽÍVÁNÍ či nedodržení bezpečnostních pravidel uvedených v tomto návodu k obsluze může způsobit vážné zranění.

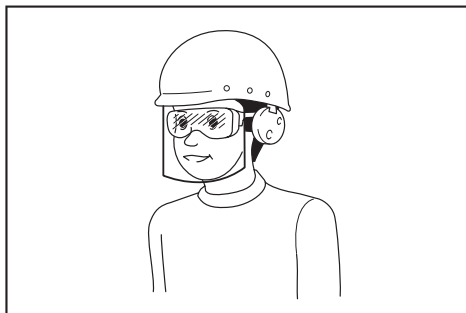
DŮLEŽITÉ BEZPEČNOSTNÍ POKYNY

VAROVÁNÍ: Přečtěte si veškerá bezpečnostní upozornění a všechny pokyny. Zanedbání upozornění a pokynů může mít za následek úraz elektrickým proudem, vznik požáru nebo vážné zranění.

Všechna upozornění a pokyny si uschovejte pro budoucí potřebu.

Školení

1. **Pečlivě si přečtěte pokyny. Seznamte se** řádně s ovládacími prvky a správným způsobem použití sekačky.



Za vynucení používání vhodných ochranných pracovních prostředků obsluhou nářadí či jinými osobami v bezprostřední blízkosti pracoviště odpovídá zaměstnavatel.

5. **Před zahájením provozu pečlivě zkontrolujte nože nebo šrouby nožů, zda nevykazují známky trhlin nebo poškození. Popraskané nebo poškozené nože nebo šrouby nožů okamžitě vyměňte.**
6. **Před sekáním odstraňte z terénu cizorodé předměty, jako jsou kameny, dráty, lahve, kosti a větší klacky, abyste zamezili zranění osob či poškození sekačky.**
7. **Předměty odmrštěné nožem sekačky mohou způsobit vážná zranění. Před každým sekáním je vždy třeba trávník pečlivě prohlédnout a odstranit z něj veškeré předměty.**

8. **Dávejte pozor na díry, vyjeté stopy, hrboly, kameny nebo jiné těžko viditelné předměty.** Nerovný terén může způsobit uklouznutí a pád. Vysoká tráva může skrývat překážky.
9. **Používejte osobní ochranné prostředky. Vždy používejte ochranu zraku.** Ochranné pracovní prostředky, jako je například respirátor, protiskluzová obuv, ochranná přilba nebo ochrana sluchu, omezí při správném použití riziko zranění.

Obsluha

1. **Nepřeceňujte vlastní schopnosti. Vždy udržujte rovnováhu. Při práci ve svahu vždy dávejte pozor, kam šlapete. Kráčejte – nikdy neběhejte.**
2. **Vypněte sekačku, vypněte stroj a ujistěte se, že se všechny pohyblivé díly zcela zastavily:**
 - kdykoli se od sekačky vzdálíte,
 - před odstraňováním překážek nebo při čištění ucpaného vyhovazovacího kanálu,
 - před kontrolou, čištěním či prováděním prací na sekačce,
 - po nárazu na předmět. Sekačku zkontrolujte, zda není poškozená, a před opětovným spuštěním a obnovením práce proveďte opravu,
 - kdykoli začne sekačka neobvykle vibrovat.
3. **Nikdy nepracujte se sekačkou s vadnými kryty či štíty nebo s chybějícími bezpečnostními prvky, například bez krytu vyhovazovacího kanálu nebo bez koše na trávu.**
4. **Se sekačkou nepracujte za nepříznivého počasí, zvláště existuje-li nebezpečí bouřek.**
5. **Při každé práci se sekačkou používejte ochranu zraku a pevnou obuv.**
6. **Se sekačkou pracujte pouze za denního světla nebo při dostatečném umělém osvětlení.**
7. **Sekačku startujte opatrně podle pokynů a s nohama v dostatečné vzdálenosti od nože (nožů).**
8. **Dejte pozor, abyste si o sekací nože neporanili ruce a nohy.**
9. **Zajistěte, aby ventilační otvory zůstaly vždy průchodné a neucpané.**
10. **Sekejte po vrstevnicích svahu, nikdy nahoru a dolů. Při změně směru ve svahu buďte mimořádně opatrní. Nesekejte v příliš strmých svazích.**
11. **Při couvání či tahání sekačky směrem k sobě buďte mimořádně opatrní.**
12. **Při nutnosti naklonění sekačky z důvodu přeježdění jiných než travnatých ploch a při transportu sekačky na pracoviště a z pracoviště vypněte pohon nože (nožů).**
13. **Při zapínání motoru sekačku nenaklánějte s výjimkou případu, kdy je naklonění sekačky při spuštění nutností. V takové situaci sekačku nenaklánějte více, než je nezbytně nutné, a nadzvedněte pouze část směrem od obsluhy. Ujistěte se, že před vrácením sekačky na zem jsou obě ruce v provozní poloze.**
14. **Ruce ani nohy nepřibližujte do blízkosti rotujících dílů nebo pod ně. Vždy se držte mimo dosah vyhovazovacího kanálu.**
15. **Sekačku netransportujte, pokud je spuštěná.**
16. **Se sekačkou nepracujte v mokré trávě.**
17. **Držadlo držte vždy pevně.**
18. **Při zvedání či přidržování sekačku nikdy nedržte za odkryté části sekacího nože či jeho ostří.**
19. **Nepřibližujte ruce ani nohy k rotujícím nožům. Varování: Nože po vypnutí sekačky dobehají.**
20. **Pokud si během provozu povšimnete něčeho neobvyklého, okamžitě přeručte práci. Vypněte sekačku. Poté sekačku prohlédněte.**
21. **Nikdy neseřizujte výšku sečení, je-li sekačka v provozu, pokud je sekačka vybavena funkcí seřízení výšky sečení.**
22. **Před přeježděním příjezdových cest, chodníků, silnic či šterkem pokrytých ploch uvolněte spínací páčku a počkejte, až se rotující nůz zastaví. Nezapomeňte také vypnout stroj klíči vždy, když se od sekačky vzdálíte kvůli zvednutí či odstranění překážky nebo kvůli jakémukoli jinému důvodu, jenž by mohl odvádět vaši pozornost od práce.**
23. **Jestliže sekačka narazí na předmět, postupujte následovně:**
 - Vypněte sekačku, uvolněte spínací páčku a vyčkejte, až se nůz zcela zastaví.
 - Vyjměte akumulátor.
 - Sekačku důkladně prohlédněte, zda není poškozená.
 - Pokud došlo k jakémukoli poškození nože, vyměňte jej. Před opětovným spuštěním a pokračováním v práci opravte poškozené části sekačky.
24. **Sekačku nespouštějte, jestliže stojíte před otvorem vyhovazovacího kanálu.**
25. **Jestliže sekačka začne neobvykle vibrovat (provedte okamžitou kontrolu):**
 - zkontrolujte, zda nedošlo k poškození,
 - vyměňte nebo opravte všechny poškozené díly,
 - zkontrolujte a dotáhněte všechny uvolněné díly.
26. **Materiál vycházející ze sekačky nesmířovat na osoby. Materiál vycházející ze sekačky nesmí být nasměrován proti zdi nebo jiným překážkám. Mohlo by dojít k odrazu materiálu směrem k obsluze. Při přeježdění šterkovitých povrchů je nutné sekací nůz vypnout.**
27. **Netahejte sekačku směrem dozadu/k sobě, není-li to nezbytně nutné. Musíte-li se sekačkou couvat směrem od plotu nebo jiné překážky, nejprve se podívejte dolů a za sebe.**
28. **Vypněte motor a počkejte, dokud se nůz úplně nezastaví. Teprve poté odeberte zachycovač trávy. Dávejte pozor, protože nože po vypnutí stále ještě volně dobehají.**
29. **Při používání stroje v blátivém terénu, na mokřem svahu nebo na kluzkém povrchu dbejte na to, abyste stáli pevně.**
30. **Stroj neponořujte do kaluže.**
31. **Při práci se strojem dávejte pozor na potrubí a elektrická vedení.**

Údržba a skladování

1. **V rámci zajištění bezpečnosti vyměňte opotřebené nebo poškozené díly. Používejte pouze originální náhradní díly a příslušenství.**

2. **Sekačku pravidelně kontrolujte a provádějte pravidelnou údržbu.**
3. **Není-li sekačka používána, musí být uchována mimo dosah dětí.**
4. **Všechny matice, šrouby a vruty udržujte dotažené, abyste zajistili bezpečný provoz sekačky.**
5. **Často kontrolujte koš na trávu, zda není opotřebený či poškozený. Před uložením sekačky se vždy ujistěte, zda je koš na trávu vyprázdněný. Opotřebený koš na trávu nahradte z důvodu bezpečnosti novým.**
6. **Používejte pouze originální nože určené výrobcem v této příručce.**
7. **Při seřizování sekačky dejte pozor, aby nedošlo k zachycení prstů mezi pohyblivými noži a pevnými částmi sekačky.**
8. **Pravidelně kontrolujte správné dotažení upevňovacího šroubu nože.**
9. **Před skladováním nechte sekačku vždy vychladnout.**
10. **Při údržbě nože dávejte pozor, neboť nůž se může pohybovat i přesto, že je zdroj napájení vypnutý.**
11. **Nikdy neodstraňujte ani neupravujte bezpečnostní prvky. Pravidelně kontrolujte jejich správnou funkci. Nedělejte nic, co by mohlo narušit zamýšlenou funkci bezpečnostního prvku nebo snížit úroveň ochrany, kterou poskytujete.**
12. **Nenechávejte stroj venku za deště bez dozoru.**
13. **Při skladování stroje se vyvarujte přímého slunečního svitu a deště a uložte jej na místo, které se nezahřívá ani nevlhne.**

Práce s akumulátorovým nářadím a péče o něj

1. **Nabíjení provádějte pouze pomocí nabíječky určené výrobcem.** Nabíječka vhodná pro jeden typ akumulátoru může při použití s jiným akumulátorem vést ke vzniku nebezpečí požáru.
2. **Elektrické nářadí používejte pouze s určenými akumulátory.** Použití jiných akumulátorů může vyvolat nebezpečí zranění a požáru.
3. **Pokud akumulátor nepoužíváte, udržujte jej mimo dosah jiných kovových předmětů, jako jsou kancelářské sponky, mince, klíče, hřebíky, šrouby nebo jiné malé kovové předměty, které mohou propojit svorky akumulátoru.** Zkratování svorek akumulátoru může způsobit popáleniny nebo požár.
4. **Při hrubém zacházení může z akumulátoru uniknout elektrolyt. Vyvarujte se styku s ním. Pokud dojde k náhodnému kontaktu, omyjte zasažené místo vodou. Pokud elektrolyt zasáhne oči, vyhledejte lékařskou pomoc. Elektrolyt uniklý z akumulátoru může způsobit podráždění nebo popálení pokožky.**
5. **Nepoužívejte poškozený nebo upravený akumulátor nebo nářadí.** U poškozených nebo upravených akumulátorů může dojít k neočekávanému chování, které může mít za následek požár, výbuch nebo riziko poranění.
6. **Akumulátor nebo nářadí nevystavujte ohni nebo vysokým teplotám.** Při vystavení žáru ohně nebo teplotám nad 130 °C může dojít k výbuchu.

7. **Postupujte dle nabíjecích pokynů a akumulátor nebo nářadí nenabíjejte mimo teplotní rozsah specifikovaný v pokynech.** Nesprávné nabíjení při teplotách mimo stanovený rozsah může poškodit akumulátor a zvýšit riziko požáru.

Elektrická bezpečnost a bezpečnost akumulátorů

1. **Akumulátor (akumulátory) nelikvidujte vzhazováním do ohně.** Články mohou vybuchnout. Při likvidaci postupujte podle místních předpisů, jež mohou zahrnovat zvláštní pokyny.
2. **Akumulátory neotevírejte a nepoškozujte.** Vypuštěný elektrolyt je žíravý a může způsobit poranění očí nebo pokožky. Při spolknutí může být jedovatý.
3. **Nenabíjejte baterii v dešti nebo na mokřích místech.**
4. **Nenabíjejte akumulátor venku.**
5. **S nabíječkou, včetně zástrčky nabíječky a svorek, nemanipulujte mokřými rukama.**
6. **Nevyměňujte akumulátor v dešti.**
7. **Svorku akumulátoru nevlhčete tekutinou, jako je voda, ani akumulátor neponořujte. Nenechávejte akumulátor na dešti ani ho nenabíjejte, nevyměňujte, nepoužívejte ani neskladujte na vlhkém či mokřím místě.** Pokud svorka navlhne nebo se do akumulátoru dostane kapalina, může dojít ke zkratu, a tedy k přehřátí, požáru nebo výbuchu.
8. **Po vyjmutí akumulátoru ze stroje či nabíječky zajistěte jeho upevnění do krytu akumulátorů a uložte v suchu.**
9. **Nevyjímajte akumulátor mokřými rukama.**
10. **Neppracujte v nebezpečném prostředí. Zařízení nepoužívejte na vlhkých či mokřích místech ani je nevystavujte dešti.** Vnikne-li do zařízení voda, zvýší se nebezpečí úrazu elektrickým proudem.
11. **Pokud se akumulátor namočí, vylijte z něj vodu a následně jej usušte suchým hadříkem. Před použitím akumulátor zcela vysušte na suchém místě.**

Servis

1. **Vaše elektrické nářadí si nechávejte opravovat kvalifikovaným pracovníkem s použitím výhradně identických náhradních dílů.** Tím zajistíte zachování bezpečnosti elektrického nářadí.
2. **Akumulátory nikdy sami nespravujte.** Opravy akumulátorů smí provádět pouze výrobce nebo autorizovaná servisní střediska.

TYTO POKYNY USCHOVEJTE.

⚠VAROVÁNÍ: NEDOVOLTE, aby pohodlnost nebo pocit znalosti výrobku (získaný na základě předchozího použití) vedl k zanedbání dodržování bezpečnostních pravidel platných pro tento výrobek.

NESPRÁVNÉ POUŽÍVÁNÍ či nedodržení bezpečnostních pravidel uvedených v tomto návodu k obsluze může způsobit vážné zranění.

Důležitá bezpečnostní upozornění pro akumulátor

1. Před použitím akumulátoru si přečtěte všechny pokyny a varovné symboly na (1) nabíječce, (2) akumulátoru a (3) výrobku využitím vajíčím akumulátor.
2. Nerozebírejte akumulátor ani do něj nijak nezasažujte. Může dojít k požáru, nadměrnému zahřátí nebo výbuchu.
3. Pokud se přilíš zkrátí provozní doba akumulátoru, přerušete okamžitě práci. V opačném případě existuje riziko přehřívání, popálení nebo dokonce výbuchu.
4. Budou-li vaše oči zasaženy elektrolytem, vypláchněte je čistou vodou a okamžitě vyhledejte lékařskou pomoc. Může dojít ke ztrátě zraku.
5. Akumulátor nezkratujte:
 - (1) Nedotýkejte se svorek žádným vodivým materiálem.
 - (2) Neskladujte akumulátor v nádobě s jinými kovovými předměty, jako jsou hřebíky, mince, apod.
 - (3) Nevystavuje akumulátor vodě a dešti.Zkrat akumulátoru může způsobit velký průtok proudu, přehřátí, možné popálení a dokonce i poruchu.
6. Neskladujte a nepoužívejte nářadí a akumulátor na místech, kde může teplota překročit 50 °C (122 °F).
7. Nespalujte akumulátor, ani když je vážně poškozen nebo úplně opotřeben. Akumulátor může v ohni vybuchnout.
8. Akumulátor nesmí být proražen hřebíkem, řezán, drcen, házen či upuštěn na zem, ani nesmí dojít k nárazu tvrdého předmětu do něj. Taková situace může způsobit požár, nadměrné zahřátí či výbuch.
9. Nepoužívejte poškozené akumulátory.
10. Obsažené lithium-iontové akumulátory podléhají právním požadavkům na nebezpečné zboží.

V případě komerční přepravy například externími dopravci je třeba dodržet zvláštní požadavky na balení a značení.

Pro přípravu zboží k přepravě je nutná konzultace s odborníkem na nebezpečný materiál. Dodržujte také případné podrobnější národní předpisy.

Odkryté kontakty přelepte izolační páskou či jinak zakryjte a akumulátory zabalte tak, aby se v balení nemohly pohybovat.
11. Při likvidaci akumulátoru jej vyjměte z nářadí a zlikvidujte jej na bezpečném místě. Při likvidaci akumulátoru postupujte podle místních předpisů.
12. Akumulátor používejte pouze s výrobky specifikovanými společností Makita. Instalace akumulátoru do nevyhovujících výrobků může způsobit požár, nadměrné zahřívání, explozi nebo únik elektrolytu.
13. Pokud nářadí delší dobu nepoužíváte, je nutné z něj akumulátor vyjmout.

14. Během a po použití se může akumulátor zahřát, což může způsobit popálení nebo podráždění. Při manipulaci s horkými akumulátory dávejte pozor.
15. Nedotýkejte se koncovky na nářadí ihned po použití, protože ta může být horká a způsobit popálení.
16. Do koncovek, otvorů a zdiřek na akumulátoru se nesmí dostat piliny, prach nebo jiné nečistoty. To může způsobit zahřátí, vznícení, prasknutí a poruchu nářadí nebo akumulátoru, což může vést k popáleninám nebo zranění osob.
17. Jestliže nářadí není zkonstruováno tak, že jej lze používat v blízkosti vysokého elektrického napětí, nepoužívejte akumulátor poblíž vedení s vysokým elektrickým napětím. Mohlo by tím dojít k poruše či selhání nářadí či akumulátoru.
18. Akumulátor uchovávejte mimo dosah dětí.

TYTO POKYNY USCHOVEJTE.

⚠ UPOZORNĚNÍ: Používejte pouze originální akumulátory Makita. Používání neoriginálních nebo upravených akumulátorů může způsobit explozi akumulátoru a následný požár, zranění a jiné poškození. Zanáká tím také záruka společnosti Makita na nářadí a nabíječku Makita.

Tipy k zajištění maximální životnosti akumulátoru

1. Akumulátor nabíjte dříve, než dojde k jeho úplnému vybití. Pokud si povšimnete sníženého výkonu nářadí, vždy jej zastavte a dobijte akumulátor.
2. Nikdy nenabíjete úplně nabité akumulátor. Přebíjení zkracuje životnost akumulátoru.
3. Akumulátor dobíjete při pokojové teplotě od 10 °C do 40 °C (50 °F až 104 °F). Před nabíjením nechejte horký akumulátor zchladnout.
4. Když není akumulátor používán, vyjměte ho z nářadí či nabíječky.
5. Pokud se akumulátor delší dobu nepoužívá (déle než šest měsíců), je nutno jej dobít.

SESTAVENÍ

⚠ VAROVÁNÍ: Před prováděním jakýchkoli prací na stroji se vždy ujistěte, že je akumulátor vyjmutý. Jestliže nevyjmete akumulátor, může po náhodném spuštění dojít k vážnému zranění.

⚠ VAROVÁNÍ: Není-li sekačka zcela sestavena, nikdy ji nespouštějte. Při práci s nekompletně sestaveným strojem může po náhodném spuštění dojít k vážnému zranění.

Nasazení krytu akumulátoru

⚠ VAROVÁNÍ: Před instalací krytu akumulátoru nevkládejte akumulátor. Při nedodržení tohoto pokynu může dojít k vážnému zranění.

Před spuštěním řádně namontujte kryt akumulátoru. Kryt akumulátoru slouží jako ochrana sekačky a akumulátoru před znečištěním hlinou, nečistotami a vodou.

1. Kryt akumulátoru umístěte tak, aby byly výstupky na sekačce zarovnaný s otvory na krytu akumulátoru.
► **Obr.1:** 1. Výstupek 2. Otvor 3. Kryt akumulátoru

2. Položte ruce na střední část krytu akumulátoru a zatlačte na něj.
► **Obr.2**

3. Ujistěte se, že je kryt akumulátoru bezpečně připevněn a bezpečně zajištěn pomocí pojistné páčky.
► **Obr.3:** 1. Pojistná páčka

Montáž držadla

⚠ UPOZORNĚNÍ: Bezpečně nainstalujte držadla.

POZOR: Při instalaci držadel umístěte kabel tak, aby se o něco mezi držadly nezachytil. Pokud je kabel poškozený, může se stát, že spínač nebude funkční.

1. Vložte oba konce dolního držadla do drážek na těle sekačky, utáhněte upínací páčky a poté upínací páčky sklopte.

► **Obr.4:** 1. Upínací páčka 2. Dolní držadlo

Při utahování upínacích páček je utahujte jen do místa, kdy právě zmizí kroužek na páčkách.

► **Obr.5:** 1. Kroužek

POZNÁMKA: Ujistěte se, že po sklopení upínacích páček není mezi dolním držadlem a tělem sekačky žádná mezera.

► **Obr.6**

2. Zarovnejte otvor na horním držadle s otvorem na dolním držadle, pak vložte šrouby zvenčí a utáhněte matici pro utahování prsty zevnitř. Postup opakujte na druhé straně.

► **Obr.7:** 1. Matice pro utahování prsty 2. Šroub

POZNÁMKA: Držte pevně horní držadlo tak, aby vám nevypadlo z ruky.

Odpojení mulčovacího nástavce

1. Otevřete zadní kryt.

► **Obr.8:** 1. Zadní kryt

2. Podržte mulčovací nástavec za držadlo a poté ho vytáhněte z těla sekačky tak, jak je vidět na obrázku.

► **Obr.9:** 1. Držadlo 2. Mulčovací nástavec

Nasazení a vyjmutí koše na trávu

Chcete-li nasadit koš na trávu, postupujte podle kroků níže.

1. Otevřete zadní kryt.

► **Obr.10:** 1. Zadní kryt

2. Koš na trávu chytněte za rukojeť a zahákněte jej do tyče na těle sekačky podle obrázku.

► **Obr.11:** 1. Tyč 2. Držadlo 3. Koš na trávu

Chcete-li vyjmout koš na trávu, otevřete zadní kryt a koš na trávu vytáhněte za rukojeť.

Připojení mulčovacího nástavce

1. Otevřete zadní kryt a poté vyjměte koš na trávu.

► **Obr.12:** 1. Zadní kryt 2. Koš na trávu

2. Podržte mulčovací nástavec za držadlo a poté ho připevněte k tělu sekačky tak, že je zatlačíte až na doraz, jak je vidět na obrázku.

► **Obr.13:** 1. Držadlo 2. Mulčovací nástavec

POPIS FUNKCÍ

⚠ UPOZORNĚNÍ: Před nastavováním stroje nebo kontrolou jeho funkce se vždy přesvědčte, zda je stroj vypnutý a je vyjmutý akumulátor.

Nasazení a sejmutí akumulátoru

⚠ UPOZORNĚNÍ: Před instalací nebo vyjmutím akumulátoru vždy vypněte stroj.

⚠ UPOZORNĚNÍ: Při nasazování či vyjímání akumulátoru pevně držte stroj i akumulátor. V opačném případě vám může zařízení nebo akumulátor vyklouznout z rukou a mohlo by dojít k jejich poškození či ke zranění.

⚠ UPOZORNĚNÍ: Před použitím se ujistěte, že je kryt akumulátoru zajištěn. Jinak by mohlo dojít ke znečištění hlinou, nečistotami či vodou a následnému poškození výrobku nebo akumulátoru.

⚠ UPOZORNĚNÍ: Akumulátor zasunujte vždy zcela tak, aby nebyl červený indikátor vidět. Pokud tak neučiníte, může ze stroje náhodně vypadnout, čímž může vám nebo osobám ve vašem okolí způsobit zranění.

⚠ UPOZORNĚNÍ: Akumulátor nenasazujte násilím. Nelze-li akumulátor zasunout snadno, nevkládáte jej správně.

⚠ UPOZORNĚNÍ: Při nasazování či vyjímání akumulátoru pevně držte kryt akumulátoru.

Instalace akumulátoru:

1. Vytáhněte zajišťovací páčku a pak otevřete kryt akumulátoru.

► **Obr.14:** 1. Kryt akumulátoru 2. Pojistná páčka

2. Zarovnejte jazýček na akumulátoru s drážkou na sekačce a poté zasuněte akumulátor na doraz, až zacvakne na místo.

► **Obr.15:** 1. Akumulátor

3. Zavřete kryt akumulátoru pevně.

Vyjmutí akumulátoru ze sekačky:

1. Vytáhněte zajišťovací páčku a otevřete kryt akumulátoru.

2. Vytáhněte akumulátor ze sekačky při současném přesunutí tlačítka na přední straně akumulátoru.

3. Zavřete kryt akumulátoru.

System ochrany stroje a akumulátoru

Stroj je vybaven systémem ochrany stroje a akumulátoru. Tento systém automaticky přeruší napájení motoru, aby se prodloužila životnost stroje a akumulátoru. Budou-li stroj nebo akumulátor vystaveny některé z níže uvedených podmínek, stroj se během provozu automaticky zastaví.

Ochrana proti přetížení

Pokud se se strojem/akumulátorem pracuje způsobem vyvolávajícím mimořádně vysoký odběr proudu, stroj se automaticky vypne a kontrolka se rozsvítí červeně. V takové situaci stroj vypněte a ukončete činnost, při níž došlo k přetížení stroje. Potom stroj zapněte a obnovte činnost.

Ochrana proti přehřátí

Při přehřátí stroje se stroj automaticky vypne a kontrolka se rozsvítí červeně. Před opětovným zapnutím nechte stroj vychladnout.

Ochrana proti přílišnému vybití

Pokud se kapacita akumulátoru sníží, stroj se automaticky zastaví a kontrolka se rozsvítí červeně. Jestliže stroj při ovládání přepínači nepracuje, vyjměte ze stroje akumulátor a nabijte jej.

Ochrana proti jiným závadám

Ochranný systém je také navržen i pro jiné příčiny, které by mohly stroj poškodit, a umožňuje automatické zastavení stroje. Když se stroj dočasně pozastaví nebo přestane pracovat, proveďte veškeré kroky k odstranění příčin.

1. Restartujte stroj jeho vypnutím a opětovným zapnutím.
2. Nabijte akumulátor(y) nebo jej (je) vyměňte za nabitý (nabitě).
3. Nechte stroj a akumulátor(y) vychladnout.

Pokud se obnovou ochranného systému nedosáhne žádného zlepšení, obraťte se na místní servisní středisko Makita.

POZOR: Jestliže se stroj zastaví z příčiny, která není popsána výše, přečtěte si část o řešení potíží.

POZNÁMKA: Doba, kdy začne kontrolka svítit, závisí na teplotě na pracovišti a stavu akumulátoru.

Indikace zbývající kapacity akumulátoru

















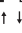
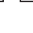
► **Obr.16:** 1. Kontrolka

Při nízké zbývající kapacitě akumulátoru začne kontrolka blikat červeně. V případě dalšího používání se stroj zastaví a kontrolka akumulátoru se rozsvítí červeně. V takovém případě dobijte akumulátor.

Indikace zbývající kapacity akumulátoru

Stisknutím tlačítka kontroly na akumulátoru zjistíte zbývající kapacitu akumulátoru. Kontrolky indikátoru se na několik sekund rozsvítí.

► **Obr.17:** 1. Kontrolky 2. Tlačítko kontroly

Kontrolky			Zbývající kapacita
 Svítí	 Nesvítí	 Bliká	
			75 % až 100 %
			50 % až 75 %
			25 % až 50 %
			0 % až 25 %
			Nabijte akumulátor.
			Došlo pravděpodobně k poruše akumulátoru.
			

POZNÁMKA: Kapacita udávaná indikátorem se může mírně lišit od skutečné kapacity v závislosti na podmínkách používání a teplotě prostředí.

POZNÁMKA: První kontrolka (zcela vlevo) bude blikat, když je systém ochrany akumulátoru v provozu.

Používání spouště

VAROVÁNÍ: Před nainstalováním akumulátoru vždy zkontrolujte, zda spínací páčka správně funguje a zda se po uvolnění vrací do původní polohy. Práce se strojem bez správně fungujícího spínače může vést ke ztrátě kontroly a vážnému zranění.

POZNÁMKA: Bez stisknutí spínacího tlačítka se sekačka nespustí ani při zatažení za spínací páčku.

POZNÁMKA: Sekačka se nemusí z důvodu přetížení spustit, když se pokoušíte sekat vysokou nebo hustou travu. V takovém případě zvyšte výšku sečení.

Tento stroj je vybaven spínacím tlačítkem. Jestliže se vám na spínacím tlačítku bude zdát něco neobvyklého, okamžitě přerušete práci a nechte jej zkontrolovat v nejbližším autorizovaném servisním středisku Makita.

1. Vložte akumulátor a následně pevně zavřete kryt akumulátoru.

2. Stiskněte a podržte spínací tlačítko a současně k sobě přitáhněte spínací páčku. Po spuštění motoru spínací tlačítko uvolněte.

► **Obr.18:** 1. Spínací tlačítko 2. Spínací páčka

3. Chcete-li motor vypnout, uvolněte spínací páčku.

Nastavení výšky sečení

VAROVÁNÍ: Při nastavování výšky sečení nikdy nekládejte ruce či nohy pod sekačku.

VAROVÁNÍ: Před zahájením práce se vždy ujistěte, zda páčka správně dosedla do příslušné drážky.

Výšku sečení lze nastavit v rozmezí od 20 mm do 75 mm.

Vypněte stroj a vytáhněte páčku nastavení výšky sečení směrem ven od sekačky a přesuňte ji do požadované úrovně výšky sečení.

► **Obr.19:** 1. Páčka nastavení výšky sečení

V následující tabulce je zobrazen vztah mezi číslem na těle sekačky a příbližnou výškou sečení.

Číslo	Výška sečení
1	20 mm
2	29 mm
3	36 mm
4	44 mm
5	53 mm
6	61 mm
7	69 mm
8	75 mm

POZNÁMKA: Obrázky s výškou sečení používejte pouze jako vodítko. Skutečná výška trávníku se může mírně lišit od nastavené výšky v závislosti na stavu trávníku a půdy.

POZNÁMKA: K dosažení požadované výšky vyzkoušejte sečení na odlehlejší ploše.

Indikátor úrovně trávy

► **Obr.20:** 1. Indikátor úrovně trávy

Indikátor úrovně trávy představuje objem posekané trávy.

- Jestliže není koš na trávu naplněný, indikátor se při sekání pohybuje.
- Pokud je koš na trávu naplněný, indikátor se při sekání nepohybuje. V takovém případě ihned přestaňte sekat a koš vyprázdněte. Po vyprázdnění koše jej vyčistěte, aby mohl síťovinou proudit vzduch.

POZNÁMKA: Indikátor je jen hrubým ukazatelem. V závislosti na podmínkách uvnitř koše nemusí indikátor fungovat správně.

Nastavení výšky rukojeti

UPOZORNĚNÍ: Před vyjmutím šroubu podržte pevně horní držadlo. Jinak může držadlo spadnout a způsobit zranění.

Výšku držadla lze upravit ve dvou úrovních.

1. Uvolněte matice držadla a pak vyjměte šrouby a matice pro utahování prsty.

► **Obr.21:** 1. Matice pro utahování prsty

2. Nastavte výšku rukojeti.

3. Vložte šrouby zvenku a poté utáhněte matice pro utahování prsty zevnitř.

Použití mulčovacího nástavce

Mulčovací nástavec vám umožňuje vracet posekanou trávu zpět na zem, aniž by byla sbírána do koše na trávu. Když používáte stroj s mulčovacím nástavcem, nezapomeňte odpojit koš na trávu.

POZOR: Stroj s připojeným mulčovacím nástavcem používejte jen tehdy, když je výška trávy po sekání 30 mm nebo více, a případně délka sekání 15 mm nebo méně.

► **Obr.22:** (1) 30 mm nebo více (2) 15 mm nebo méně

PRÁCE S NÁŘADÍM

Sekání

VAROVÁNÍ: Před sekáním odstraňte ze sekané plochy větve a kameny. Ze sekané plochy také předem odstraňte plevel.

VAROVÁNÍ: Při práci se sekačkou vždy noste ochranné brýle nebo bezpečnostní brýle s postranními kryty.

UPOZORNĚNÍ: Jestliže vnitřek sekačky blokuje posekaná tráva nebo cizí předmět, vyjměte akumulátory a před vyjímáním trávy nebo cizího předmětu si nasadte rukavice.

POZOR: Stroj používejte pouze k sekání trávy. Nepoužívejte stroj k vyžínání plevele.

► **Obr.23**

Při sekání pevně chytěte držadlo oběma rukama.

Doporučená rychlost sečení je přibližně 2 až 4 sekund na 1 metr.

► **Obr.24**

POZNÁMKA: Pokud při sekání vysoké nebo husté trávy zjistíte po sekání nerovnosti v délce trávníku nebo špatnou povrchovou úpravu, nebo během sečení zjistíte snížení otáček motoru, snižte rychlost sečení pod hodnotu doporučenou v tomto návodu, nebo zvýšte výšku sečení.

Středové linky předních kol jsou vodítka pro šířku sečení. Řiďte se středovými linkami a sekejte trávu po pružích. Pro rovnoměrné sečení nechte pruhy překrývat o polovinu až třetinu.

► **Obr.25:** 1. Šířka sekání 2. Oblast překrytí 3. Středová linka

Aby nedocházelo k vytváření vzorců na trávníku, měňte pokaždé směr sekání.

► **Obr.26**

Pravidelně kontrolujte množství posekané trávy v koši na trávu. Koš na trávu vyprázdněte, než se zcela zaplní. Před každou pravidelnou kontrolou vypněte a zastavte stroj.

POZOR: Používání sekačky se zaplněným košem na trávu zamezuje plynulému otáčení nože a vystavuje motor nadměrnému zatížení, jež může vyvolat poruchu.

Sekání vysoké trávy

Vysokou trávu se nepokoušejte sekat najednou. Místo toho sekejte trávu postupně. Mezi sečením vyčkejte den nebo dva, dokud není tráva rovnoměrně krátká.

POZNÁMKA: Posekání vysoké trávy na nízkou výšku najednou může způsobit odumření trávy. Posečená tráva se také může uvnitř hlavní jednotky zablokovat.

Vyprázdnění koše na trávu

VAROVÁNÍ: V rámci zamezení nebezpečí nehody koš na trávu pravidelně kontrolujte, zda není poškozený či zeslabený. V případě potřeby koš na trávu vyměňte.

1. Uvolněte spínací páčku.
2. Vyjměte akumulátor.
3. Otevřete zadní kryt a koš na trávu vytáhněte za rukojeť.
► **Obr.27:** 1. Zadní kryt 2. Držadlo
4. Koš na trávu vyprázdňete.

ÚDRŽBA

VAROVÁNÍ: Před uskladněním, přenášením či prováděním kontroly či údržby stroje se vždy ujistěte, zda je ze stroje akumulátor vyjmut.

VAROVÁNÍ: Při provádění kontroly či údržby použijte ochranné rukavice.

VAROVÁNÍ: Při kontrole nebo údržbě sekačky vždy noste ochranné brýle nebo bezpečnostní brýle s postranními kryty.

POZOR: Nikdy nepoužívejte benzín, benzen, ředidlo, alkohol či podobné prostředky. Mohlo by tak dojít ke změnám barvy, deformacím či vzniku prasklin.

K zachování BEZPEČNOSTI a SPOLEHLIVOSTI výrobku musí být opravy a veškerá další údržba či seřizování prováděny autorizovanými nebo továrními servisními středisky společnosti Makita s využitím náhradních dílů Makita.

Údržba

1. Vyjměte akumulátor a následně zavřete kryt akumulátoru.
2. Položte sekačku na bok. Zpod krytu sekačky odstraňte nahromaděné kousky trávy.
3. Lijte vodu směrem ke spodní části stroje, k níž je upevněn nůž.

POZOR: Stroj nemyjte vodou pod tlakem.

4. Zkontrolujte správné dotažení všech matic, šroubů, vrtul atd.
5. Zkontrolujte pohyblivé díly, zda nejsou poškozené, rozbité či opotřebené. Poškozené nebo chybějící díly je nutné opravit nebo vyměnit.
6. Sekačku uskladněte na bezpečném místě mimo dosah dětí.

Skladování

UPOZORNĚNÍ: Pokud stroj dáváte do svislé polohy, položte jej na rovný a stabilní povrch. Pokud je stroj umístěn na nestabilním povrchu, může dojít k jeho převržení a zranění.

Sekačku skladujte pod střechou na chladném, suchém a uzamykatelném místě. Sekačku a nabíječku neskladujte v místech, kde může teplota překročit hodnotu 40 °C.

1. Vyjměte akumulátor.
2. Vyjměte koš na trávu.
3. Rozevřete upínací páčky, poté rukojeť složte a opět upínací páčky sevěte.
► **Obr.28:** 1. Upínací páčka
4. Povolte matice pro utahování prsty na držadle a poté horní držadlo sklopte.
► **Obr.29:** 1. Matice pro utahování prsty 2. Horní držadlo
5. Umístěte stroj do svislé polohy.

POZNÁMKA: Při ukládání sekačky do svislé polohy ji nedržte pouze za držadlo, držte tělo sekačky a držadlo.

6. Koš na trávu uložte mezi držadlo a tělo sekačky.
► **Obr.30:** 1. Koš na trávu

Přenášení sekačky

UPOZORNĚNÍ: Před přenášením sekačky se ujistěte, že je vyjmut akumulátor.

Při přenášení sekačky je třeba, aby byla přidržována zadní rukojeť a spodní přidržovací část v přední části stroje, jak je znázorněno na obrázku.

- **Obr.31:** 1. Spodní přidržovací část 2. Zadní rukojeť

Demontáž a instalace sekacího nože

VAROVÁNÍ: Při demontáži či montáži nože vždy vyjměte akumulátor. Jestliže akumulátor nevyjmete, může dojít k vážnému zranění.

VAROVÁNÍ: Nůž se po uvolnění spínače ještě několik sekund otáčí. Neprovádějte žádné úkony, dokud se nůž zcela nezastaví.

VAROVÁNÍ: Při manipulaci s nožem vždy použijte rukavice.

POZOR: Při demontáži a montáži sekacího nože použijte nástrčný klíč dodávaný se zařízením.

Demontáž sekacího nože

1. Sekačku položte na stranu, aby byla páčka nastavení výšky sečení přístupná z horní strany.
2. Rotací nože zastavíte vsunutím kolíku nebo nástroje, jako je například šroubovák, do otvoru na těle sekačky.
3. Klíčem pak otočte šroubem proti směru hodinových ručiček.
► **Obr.32:** 1. Sekací nůž 2. Klíč 3. Šroubovák 4. Otvor
4. Vyjměte postupně šroub a sekací nůž.
► **Obr.33:** 1. Podpěra nože 2. Sekací nůž 3. Šroub

Montáž sekacího nože

Při instalaci sekacího nože použijte opačný postup demontáže.

VAROVÁNÍ: Opatrně namontujte sekací nůž. Nůž má vrchní a spodní stranu.

VAROVÁNÍ: Pevným dotažením šroubu ve směru hodinových ručiček nůž zajistíte.

VAROVÁNÍ: Ujistěte se, že sekací nůž a všechny upevňovací díly jsou správně nainstalované a pevně utažené.

VAROVÁNÍ: Při výměně nožů vždy postupujte podle pokynů uvedených v této příručce.

POZOR: Při utahování šroubu za účelem montáže sekacího nože použijte utahovací moment **19 – 29 N•m** (tyto hodnoty jsou jen orientační).

ŘEŠENÍ POTÍŽÍ

Před žádostí o opravu proveďte nejprve prohlídku sami. Pokud narazíte na problém, který není popsán v návodu, nepokoušejte se stroj demontovat. Požádejte o pomoc některé z autorizovaných servisních středisek Makita, kde k opravám vždy používají náhradní díly Makita.

Problém	Pravděpodobná příčina (porucha)	Náprava
Sekačka se nespustí.	Není vložen akumulátor.	Vložte nabitý akumulátor.
	Problém s akumulátorem (nízké napětí)	Nabijte akumulátor. Jestliže nabít nepomůže, vyměňte akumulátor.
Motor se po krátké době provozu zastaví.	Akumulátor není dostatečně nabitý.	Nabijte akumulátor. Jestliže nabít nepomůže, vyměňte akumulátor.
	Výška sečení je nastavena příliš nízkou.	Zdvihněte výšku sečení.
Motor nedosahuje maximálních otáček.	Akumulátor je nesprávně nasazen.	Nainstalujte akumulátor podle popisu v této příručce.
	Poklesl výkon akumulátoru.	Nabijte akumulátor. Jestliže nabít nepomůže, vyměňte akumulátor.
	Systém pohonu nepracuje správně.	Předejte zařízení k opravě v místním autorizovaném servisním středisku.
Sekací nůž se neotáčí: ⇒ Sekačku ihned vypněte!	V blízkosti nože se vzpříčil cizorodý předmět, například větev.	Odstraňte cizorodý předmět.
	Systém pohonu nepracuje správně.	Předejte zařízení k opravě v místním autorizovaném servisním středisku.
Nenormální vibrace: ⇒ Sekačku ihned vypněte!	Nůž je nevyvážený, příliš opotřebený nebo nerovnoměrně opotřebený.	Vyměňte nůž.

VOLITELNÉ PŘÍSLUŠENSTVÍ

UPOZORNĚNÍ: Se strojem Makita popsaným v tomto návodu doporučujeme používat následující příslušenství a nástavce. Při použití jiného příslušenství či nástavců může hrozit nebezpečí zranění osob. Příslušenství lze používat pouze pro stanovené účely.

Potřebujete-li bližší informace ohledně tohoto příslušenství, obraťte se na místní servisní středisko společnosti Makita.

- Sekací nůž
- Originální akumulátor a nabíječka Makita

POZNÁMKA: Některé položky seznamu mohou být k produktu přibaleny jako standardní příslušenství. Přibalené příslušenství se může v různých zemích lišit.

ТЕХНІЧНІ ХАРАКТЕРИСТИКИ

Модель:	LM003G	LM004G	
Ширина косіння (діаметр ріжучого полотна)	380 мм	430 мм	
Швидкість у режимі холостого ходу	3 800 хв ⁻¹		
Змінне ріжуче полотно газонкосарки, номер деталі	Пряме ріжуче полотно газонкосарки	1913G8-3	1913H4-8
	Лезо для мульчування	1913H0-6	1913H6-4
Розміри (Д × Ш × В)	під час роботи	Д: от 1 370 мм до 1 420 мм Ш: 450 мм В: от 990 мм до 1 020 мм	Д: від 1 390 мм до 1 440 мм Ш: 460 мм В: від 990 мм до 1 020 мм
	у положенні для зберігання (без корзини для трави)	520 мм × 450 мм × 880 мм	520 мм × 460 мм × 885 мм
Номінальна напруга	від 36 до 40 В пост. струму макс		
Маса нетто	14,9 – 17,3 кг	15,6 – 18,2 кг	
Ступінь захисту	IPX4		

- Оскільки наша програма наукових досліджень і розробок триває безперервно, наведені тут технічні характеристики можуть бути змінені без попередження.
- У різних країнах технічні характеристики можуть бути різними.
- Вага може відрізнятись залежно від допоміжного обладнання, наприклад касети з акумулятором. Найлегші та найважчі комплекти, відповідно до стандарту ЕРТА (Європейська асоціація виробників електроінструменту) від січня 01/2014 року, представлено в таблиці.

Застосовна касета з акумулятором і зарядний пристрій

Касета з акумулятором	BL4020 / BL4025 / BL4040 / BL4040F / BL4050F / BL4080F
Зарядний пристрій	DC40RA / DC40RB / DC40RC / DC40WA

- Деякі касети з акумулятором і зарядні пристрої, які вказано вище, можуть бути недоступними залежно від вашого регіону або місця перебування.


⚠ ПОПЕРЕДЖЕННЯ: Використовуйте лише касети з акумулятором і зарядні пристрої, зазначені вище. Використання будь-яких інших касет з акумулятором і зарядних пристроїв може призвести до травми й/або пожежі.


⚠ ПОПЕРЕДЖЕННЯ: Не використовуйте із цією машиною дротове джерело електроживлення, наприклад адаптер акумулятора або портативний блок живлення. Кабель цього джерела електроживлення може перешкодити роботі й стати причиною травми.


СИМВОЛИ

Далі наведено символи, які можуть застосовуватися для позначення обладнання. Перед користуванням переконайтеся, що ви розумієте їхнє значення.

 Будьте особливо уважні та обережні!

 Читайте посібник з експлуатації.

 Небезпечно! Пам'ятайте, що предмети можуть відскочити.

 Відстань між машиною й сторонніми особами повинна становити не менше 15 м.



У жодному разі не наближайте руки та ноги до ріжучого полотна газонкосарки під газонкосаркою. Після вимкнення двигуна ріжуче полотно газонкосарки продовжують обертатися.



Попередження. Перед технічним обслуговуванням необхідно від'єднати акумулятор.



Тільки для країн ЄС
Через наявність в обладнанні небезпечних компонентів відходи електричного та електронного обладнання, акумулятори та батареї можуть негативно впливати на навколишнє середовище та здоров'я людини.
Не викидайте електричні та електронні прилади або батареї разом з побутовими відходами!
Відповідно до директиви ЄС стосовно відходів електричного та електронного обладнання, акумуляторів, батарей та відходів акумуляторів і батарей, а також відповідно до її адаптації до національного законодавства, відходи електричного обладнання, батарей та акумуляторів слід зберігати окремо й доставляти на пункт роздільного збору комунальних відходів, який працює з дотриманням правил охорони навколишнього середовища.
Це позначено символом у вигляді перевернутого сміттевого контейнера з колесами, нанесеним на обладнання.



Гарантований рівень звукової потужності відповідно до Директиви ЄС щодо шумів поза приміщеннями.



Рівень звукової потужності відповідно до Регламенту Австралії (Новий Південний Уельс) з контролю за шумом

Призначення

Машина призначена для косіння газонів.

Шум

Рівень шуму за шкалою А в типовому виконанні, визначений відповідно до стандарту EN62841-4-3:

Модель LM003G

Вимірний рівень звукової потужності (L_{WA}): 90 дБ (А)
Гарантований рівень звукової потужності (L_{WA}): 93 дБ (А)
Рівень звукового тиску (L_{pA}): 83 дБ (А)
Невизначеність рівня звукового тиску (К): 3 дБ (А)

Модель LM004G

Вимірний рівень звукової потужності (L_{WA}): 90 дБ (А)
Гарантований рівень звукової потужності (L_{WA}): 93 дБ (А)
Рівень звукового тиску (L_{pA}): 81 дБ (А)
Невизначеність рівня звукового тиску (К): 3 дБ (А)

ПРИМІТКА: Заявлене значення шуму було виміряно відповідно до стандартних методів тестування й може використовуватися для порівняння одного інструмента з іншим.

ПРИМІТКА: Заявлене значення шуму може також використовуватися для попереднього оцінювання впливу.

▲ПОПЕРЕДЖЕННЯ: Користуйтеся засобами захисту органів слуху.

▲ПОПЕРЕДЖЕННЯ: Залежно від умов використання рівень шуму під час фактичної роботи електроінструмента може відрізнятися від заявленого значення вібрації; особливо сильно на це впливає тип деталі, що оброблюється.

▲ПОПЕРЕДЖЕННЯ: Забезпечте належні запобіжні заходи для захисту оператора, що відповідатимуть умовам використання інструмента (слід брати до уваги всі складові робочого циклу, як-от час, коли інструмент вимкнено та коли він починає працювати на холостому ході під час запуску).

Вібрація

Загальна величина вібрації (векторна сума трьох напрямків) визначена згідно з EN62841-4-3:

Модель LM003G

Вібрація (a_h): 2,5 м/с² або менше
Похибка (К): 1,5 м/с²

Модель LM004G

Вібрація (a_h): 2,5 м/с² або менше
Похибка (К): 1,5 м/с²

ПРИМІТКА: Заявлене загальне значення вібрації було виміряно відповідно до стандартних методів тестування й може використовуватися для порівняння одного інструмента з іншим.

ПРИМІТКА: Заявлене загальне значення вібрації може також використовуватися для попереднього оцінювання впливу.

▲ПОПЕРЕДЖЕННЯ: Залежно від умов використання вібрація під час фактичної роботи електроінструмента може відрізнятися від заявленого значення вібрації; особливо сильно на це впливає тип деталі, що оброблюється.

▲ПОПЕРЕДЖЕННЯ: Забезпечте належні запобіжні заходи для захисту оператора, що відповідатимуть умовам використання інструмента (слід брати до уваги всі складові робочого циклу, як-от час, коли інструмент вимкнено та коли він починає працювати на холостому ході під час запуску).

Декларації відповідності

Тільки для країн Європи

Декларації відповідності наведено в Додатку А цієї інструкції з експлуатації.

ПОПЕРЕДЖЕННЯ ПРО ДОТРИМАННЯ ТЕХНІКИ БЕЗПЕКИ

Загальні застереження щодо техніки безпеки при роботі з електроінструментами

▲ПОПЕРЕДЖЕННЯ Уважно ознайомтеся з усіма попередженнями, інструкціями, рисунками й технічними характеристиками, які стосуються цього електроінструмента. Невиконання наведених далі інструкцій може призвести до ураження електричним струмом, пожежі й (або) тяжких травм.

Збережіть усі інструкції з техніки безпеки та експлуатації на майбутнє.

Термін «електроінструмент», зазначений у інструкції з техніки безпеки, стосується електроінструмента, який функціонує від електромережі (електроінструмент з кабелем живлення), або електроінструмента з живленням від батареї (безпроводний електроінструмент).

Попередження щодо техніки безпеки під час використання бездротової газонокосарки

1. **Заборонено використовувати газонокосарку за несприятливих погодних умов, особливо коли є ризик виникнення грозового розряду.** Це правило дає змогу зменшити ризик ураження блискавкою.
2. **Перевірте зону, де буде використовуватися газонокосарка, на присутність тварин.** Під час роботи газонокосарка може травмувати тварин.
3. **Ретельно перевірте зону, де буде використовуватися газонокосарка, і прибейте з неї каміння, гілки, дроти, кістки та інші сторонні предмети.** Предмети, що розлітаються, можуть спричинити травмування.
4. **Перед використанням газонокосарки завжди оглядайте різальне полотно та його вузол на знос і пошкодження.** Зношені чи пошкоджені деталі підвищують ризик травмування.
5. **Регулярно через невеликі проміжки часу перевіряйте травозбірник на наявність ознак зношення або пошкодження.** Зношений чи пошкоджений травозбірник може підвищити ризик травмування.
6. **Щитки мають бути на місці.** Щитки мають бути в робочому стані й змонтовані належним чином. Щитки, які не тримаються міцно, пошкоджені чи не функціонують належним чином, можуть призвести до травмування.

7. **Не допускайте засмічення впускних отворів для повітря системи охолодження.** Засмічення впускних отворів для повітря може призвести до перегрівання й займання.
8. **Під час роботи з газонокосаркою завжди надягайте захисне взуття з підшвами, які не ковзають.** Заборонено працювати з газонокосаркою босоніж або у відкритих сандалях. Це правило дає змогу зменшити ризик травмування стоп унаслідок контакту з різальним полотном, що рухається.
9. **Перед використанням газонокосарки обов'язково надягайте довгі штани.** Оголення частин тіла збільшує ризик травмування предметами, які відскакують від газонокосарки.
10. **Не використовуйте газонокосарку на вологій траві.** Пересувайтеся повільно, не переходьте на біг. Це правило зменшує ризик зісковзування та падіння, які можуть призвести до травмування.
11. **Не використовуйте газонокосарку на дуже крутих схилах.** Це правило зменшує ризик втрати керування, зісковзування та падіння, що може спричинити травмування.
12. **Працюючи на схилах, завжди займайте стійке положення, рухайтесь поперек схилу, а не вгору чи вниз, будьте надзвичайно обережні, якщо змінюєте напрямок.** Це правило зменшує ризик втрати керування, зісковзування та падіння, що може спричинити травмування.
13. **Будьте надзвичайно обережні, повертаючи або пересуваючи газонокосарку до себе.** Завжди зважайте на те, що відбувається навколо. Це дасть змогу уникнути спотикання.
14. **Не торкайтесь різального полотна й інших рухомих деталей, поки вони рухаються.** Це дасть змогу знизити ризик травмування рухомими деталями.
15. **Перед видаленням застряглих обрізків або чистенням газонокосарки переконайтеся в тому, що всі вимикачі живлення вимкнені, а блок акумулятора від'єднано.** Випадкове ввімкнення газонокосарки може призвести до тяжкого травмування.

ЗБЕРІГАЙТЕ ЦІ ВКАЗІВКИ.

▲ПОПЕРЕДЖЕННЯ: НІКОЛИ НЕ втрачайте пильності або не розслабляйтеся під час користування виробом (що можливо при частому використанні); обов'язково строго дотримуйтеся відповідних правил безпеки.

НЕНАЛЕЖНЕ ВИКОРИСТАННЯ або недотримання правил техніки безпеки, викладених у цій інструкції з експлуатації, може призвести до серйозних травм.

ВАЖЛИВІ ІНСТРУКЦІЇ З ТЕХНІКИ БЕЗПЕКИ

▲ ПОПЕРЕДЖЕННЯ: Прочитайте усі застереження стосовно техніки безпеки та всі інструкції. Недотримання попереджень та інструкцій може призвести до ураження електричним струмом, до виникнення пожежі та/або до отримання серйозних травм.

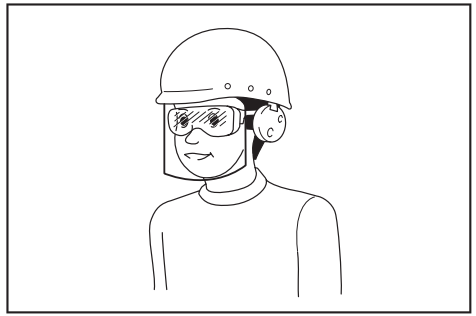
Збережіть усі інструкції з техніки безпеки та експлуатації на майбутнє.

Інструктаж

1. Уважно прочитайте інструкції з експлуатації. Ознайомтеся з усіма засобами керування, а також із правилами належної експлуатації газонокосарки.
2. Не дозволяйте користуватися газонокосаркою особам, не ознайомленим із цими інструкціями, та дітям. Місцеві норми можуть накладати обмеження на вік оператора.
3. Заборонено працювати з газонокосаркою, коли інші люди, особливо діти, або домашні тварини знаходяться поблизу.
4. Пам'ятайте, що оператор або користувач несе відповідальність за нещасні випадки та створення ситуацій, небезпечних для людей та їхнього майна.
5. Не допускайте, щоб діти гралися з газонокосаркою.
6. Фізичний стан. У жодному разі не використовуйте газонокосарку, перебуваючи під впливом наркотичних речовин, алкоголю або будь-яких медичних препаратів.

Підготовка

1. Перед використанням газонокосарки обов'язково взувайте міцне взуття та вдягайте довгі штани. Заборонено працювати з газонокосаркою босоніж або у відкритих сандаліях. Не рекомендовано вдягати прикраси, занадто вільний одяг або одяг, який має звисаючі мотузки або шнурки. Вони можуть потрапити у частини інструмента, що рухаються.
2. Перед початком експлуатації оглядайте газонокосарку щодо пошкоджених, відсутніх або неправильно встановлених захисних кожухів чи щитків.
3. Перед початком роботи переконайтеся у відсутності сторонніх осіб на робочій ділянці. Зупиніть газонокосарку, якщо хтось наблизиться до місця роботи.
4. Завжди користуйтеся захисними окулярами, щоб захистити очі від травмування під час роботи з електроінструментами. Захисні окуляри мають відповідати стандарту ANSI Z87.1 у США, EN 166 у Європі або AS/NZS 1336 в Австралії / Новій Зеландії. В Австралії / Новій Зеландії законодавство вимагає користуватися також щитком для захисту обличчя.



- Роботодавець відповідає за те, щоб оператори інструментів та інші особи, які знаходяться безпосередньо в робочій зоні, примусово користувалися відповідним захисним устаткуванням.
5. Перед початком роботи ретельно перевірте ріжуче полотно або болти, що використовуються для його фіксації, на наявність тріщин або пошкоджень. У разі виявлення тріщин або пошкоджень негайно замініть ріжуче полотно або болти.
 6. Щоб уникнути пошкодження газонокосарки або травмування, перед початком роботи приберіть із робочої зони сторонні предмети, як-от каміння, дроти, пляшки, кістки або великі гілки.
 7. Якщо ріжуче полотно газонокосарки натрапить на будь-який сторонній предмет, це може призвести до травмування. Щоразу перед використанням газонокосарки уважно оглядайте газон та прибирайте з нього всі сторонні предмети.
 8. Огляньте газон на наявність ям, колій, вибоїв, каменів або інших прихованих об'єктів. Через нерівності поверхні ви можете підсковзнутися й упасти. Висока трава може приховувати перешкоди.
 9. Використовуйте засоби індивідуального захисту. Завжди надягайте засоби захисту очей. Такі засоби захисту, як респіратор, неслизьке робоче взуття, захисний шолом та засоби захисту органів слуху, використовувані у відповідних умовах, знижують ризик отримання травм.

Робота

1. Використовуючи виріб, не тягніться занадто далеко. Завжди зберігайте рівновагу. Працюючи на схилах, обов'язково займайте стійке положення. Пересувайтеся повільно, не переходьте на біг.
2. Зупиніть газонокосарку, вимкніть її та переконайтеся, що всі рухомі частини повністю зупинилися:
 - коли залишаєте газонокосарку без нагляду;
 - перед видаленням засмічення або очищенням трубк;
 - перед перевіркою та очищенням інструмента або проведенням робіт на газонокосарці;
 - якщо інструмент натрапив на сторонній предмет. Огляньте газонокосарку на відсутність пошкоджень і виконайте необхідний ремонт:

- у разі аномальної вібрації в газонокосарці.
 - 3. Заборонено використовувати газонокосарку із пошкодженими захисними кожухами чи щитками або без встановлених захисних пристроїв, як-от відбивачів та/або корзини для трави.
 - 4. Не використовуйте газонокосарку за поганих погодних умов, особливо коли є ризик виникнення грозового розряду.
 - 5. Перед використанням газонокосарки вдягайте засіб для захисту очей і міцні черевики.
 - 6. Користуйтеся газонокосаркою тільки у світлий час доби або за достатнього штучного освітлення.
 - 7. Обережно увімкніть газонокосарку згідно з наведеними інструкціями, тримаючи ноги подалі від ріжучих полотен.
 - 8. Будьте обережні, щоб не травмувати ноги або руки ріжучим полотном газонокосарки.
 - 9. Завжди стежте за тим, щоб вентиляційні отвори не забивалися сміттям.
 - 10. На схилах пересувайте газонокосарку попереку них, а не вгору та вниз. Будьте надзвичайно уважні, коли змінюєте напрямку руху газонокосарки на схилах. Не використовуйте газонокосарку на дуже крутих схилах.
 - 11. Будьте надзвичайно уважні, повертаючи або пересуваючи газонокосарку до себе.
 - 12. Зупиніть ріжучі полотна, якщо потрібно нахилити газонокосарку та перенести через ділянку, де не росте трава, або з однієї робочої ділянки на іншу.
 - 13. Під час запуску двигуна не нахилийте газонокосарку; виняток становлять ті випадки, коли для запуску двигуна газонокосарку необхідно нахилити. Проте навіть у цьому разі не нахилийте її більше, ніж це необхідно, і підіймайте її частину, розташовану з протилежного від вас боку. Обидві руки мають перебувати в робочому положенні, коли ви опускаєте газонокосарку на землю.
 - 14. Не наближайте руки та ноги до частин, що обертаються. Тримайтеся на відстані від випускного отвору.
 - 15. Заборонено транспортувати газонокосарку в увімкненому стані.
 - 16. Не використовуйте газонокосарку на вологій траві.
 - 17. Обов'язково міцно тримайте ручку.
 - 18. Піднімаючи газонокосарку або тримаючи її, не торкайтеся відкритого ріжучого полотна або ріжучої кромки.
 - 19. Тримайте ноги та руки подалі від ріжучого полотна, що обертається. Обережно! Полотна продовжують рух за інерцією після вимкнення газонокосарки.
 - 20. негайно припиніть роботу, якщо помітите будь-які відхилення. Вимкніть газонокосарку. Після цього огляньте газонокосарку.
 - 21. Заборонено регулювати висоту косіння під час роботи двигуна, якщо газонокосарка підтримує таку функцію.
 - 22. Відпустіть пусковий важіль і дочекайтеся зупинки ріжучого полотна, перш ніж перетинати дорогу, тротуар, проїзну частину або ділянку, укриту ґравієм. Крім того, вимкніть машину, якщо потрібно залишити газонокосарку без нагляду, нахилитися, щоб підняти або прибрати сторонні предмети з дороги, а також у разі будь-якої ситуації, яка може відволікти вас від роботи.
 - 23. Якщо газонокосарка натрапить на сторонній предмет, виконайте такі дії:
 - зупиніть газонокосарку, відпустіть пусковий важіль та дочекайтеся повної зупинки ріжучого полотна;
 - вийміть касету з акумулятором;
 - ретельно огляньте газонокосарку на наявність пошкоджень;
 - у разі виявлення будь-яких пошкоджень ріжучого полотна замініть його. Усуňte всі пошкодження, перш ніж продовжувати використання газонокосарки.
 - 24. Не запускайте газонокосарку, стоячи перед випускним отвором.
 - 25. Якщо спостерігається аномальна вібрація газонокосарки (потрібна негайна перевірка):
 - огляньте інструмент на наявність пошкоджень;
 - замініть або відремонтуйте пошкоджені частини;
 - перевірте на наявність незакріплених деталей та затягніть їх.
 - 26. Не спрямовуйте потік зрізаного матеріалу на людей. Не спрямовуйте потік зрізаного матеріалу на стіну або будь-який предмет. Зрізаний матеріал може відскочити в бік оператора. Зупиніть лезо перед транспортуванням по поверхні з ґравію.
 - 27. Не тягніть газонокосарку назад без необхідності. За необхідності відвести косарку від паркана або іншої аналогічної перешкоди до початку й під час заднього ходу дивіться назад собі під ноги.
 - 28. Вимкніть двигун і зачекайте, поки лезо повністю не зупиниться, перш ніж зняти травозбірник. Пам'ятайте, що леза продовжують обертатися після вимкнення.
 - 29. У разі використання інструмента на вологих або слизьких ділянках, зокрема на схилах, будьте уважні, щоб не втратити рівновагу.
 - 30. Заборонено занурювати інструмент у калюжі.
 - 31. Під час роботи з машиною стежте за тим, щоб не допустити контакту з трубопроводом або проводами.
- Технічне обслуговування й зберігання**
- 1. Щоб гарантувати безпечну роботу, замінійте зношені або пошкоджені деталі. Використовуйте тільки оригінальні запасні частини та приладдя.
 - 2. Оглядайте газонокосарку й виконуйте її технічне обслуговування регулярно.
 - 3. Якщо газонокосарка не використовується, зберігайте її в недоступному для дітей місці.
 - 4. Щоб гарантувати безпечну роботу інструмента, перевіряйте надійність затягування всіх гайок, болтів та гвинтів.

5. Регулярно через невеликі проміжки часу перевіряйте корзину для трави на наявність ознак зношення або пошкодження. Зберігати інструмент необхідно в порожньою корзину для трави. Щоб гарантувати безпечне використання інструмента, замініть зношену корзину для трави новою оригінальною запасною корзиною.
6. Використовуйте тільки оригінальне ріжуче полотно, зазначене в цьому посібнику.
7. Під час налаштування газонокосарки слідкуйте за тим, щоб пальці не потрапили між ріжучими полотнами, що обертаються, та нерухомими частинами газонокосарки.
8. Регулярно через невеликі проміжки часу перевіряйте, чи надійно затягнуто болт кріплення ріжучого полотна.
9. Перед тим як ставити газонокосарку на зберігання, зачекайте, поки вона охолоне.
10. Під час обслуговування ріжучих полотен пам'ятайте про те, що вони все ще можуть рухатися, навіть якщо джерело живлення відключено.
11. Не знімайте запобіжні механізми й не вносьте зміни в їхню конструкцію. Регулярно перевіряйте правильність їхньої роботи. Не робіть ніяких дій, які можуть вплинути на функціонування запобіжного механізму або можуть знизити ступінь захисту, який забезпечується запобіжним механізмом.
12. Заборонено залишати інструмент під дощем без нагляду.
13. Зберігайте інструмент у місці, захищеному від прямих сонячних променів і дощу, де він не піддаватиметься впливу високої температури або вологи.

Використання та обслуговування акумуляторних інструментів

1. Перезаряджайте акумулятор лише за допомогою зарядного пристрою, вказаного виробником. Зарядний пристрій, який підходить для одного типу акумуляторів, може призвести до пожежі при використанні з акумулятором іншого типу.
 2. Використовуйте електроінструменти лише з акумуляторами того типу, який призначений саме для цих електроінструментів. Використання акумуляторів інших типів може призвести до отримання травм і виникнення пожежі.
 3. Коли акумулятор не використовується, тримайте його подалі від таких металевих предметів, як скріпки, монети, ключі, цвяхи, шурупи тощо, які можуть закоротити клеми акумулятора. Замикання клем акумулятора може призвести до отримання опіків або до пожежі.
 4. За належних умов зберігання з акумулятора може витікати рідина, контакту з якою слід уникати. У разі випадкового потраплення рідини на тіло відповідну частину тіла слід промити водою. Якщо рідина потрапила в очі, їх слід промити водою, після чого необхідно звернутися до лікаря. Рідина, що витікає з акумулятора, може спричинити подразнення або опіки.
 5. Не користуйтеся акумулятором або інструментом, які було змінено чи пошкоджено. Експлуатація акумуляторів, що їх було пошкоджено або до конструкції яких було внесено зміни, може бути небезпечною й може спричинити пожежу, вибух або травму.
 6. Не піддавайте акумулятор або інструмент впливу вогню чи надмірної температури. Вплив вогню або температури вище 130° C може спричинити вибух.
 7. Дотримуйтесь усіх вказівок із заряджання й не заряджайте акумулятор або інструмент за температури за межами зазначеного в інструкції діапазону. Неправильне заряджання або заряджання за межами вказаного температурного діапазону може призвести до пошкодження акумулятора й підвищити небезпеку займання.
- #### Електробезпека й техніка безпеки під час роботи з акумулятором
1. Не спалюйте акумулятори. Акумулятор може вибухнути. Ознайомтеся з місцевими законами, які можуть містити спеціальні інструкції щодо утилізації відходів.
 2. Не відкривайте й не деформуйте акумулятори. Електроліт є їдкою речовиною, тому в разі контакту зі шкірою або очима може завдати травми. У разі проковтування він може бути токсичним.
 3. Не заряджайте акумулятор під дощем або в місцях із підвищеною вологістю.
 4. Перезаряджайте акумулятор тільки в приміщенні.
 5. Не торкайтеся зарядного пристрою, а також штекера й контактів зарядного пристрою вологими руками.
 6. Заборонено замінити акумулятор під дощем.
 7. Не допускайте потраплення рідини на контакти акумулятора й не занурюйте акумулятор у рідину. Заборонено залишати акумулятор під дощем, а також заряджати, використовувати або зберігати його в місці з підвищеною вологістю. Якщо контакти намокнуть або якщо всередину акумулятора потрапить рідина, може статися коротке замикання, що може призвести до перегріву, займання або вибуху.
 8. Після виймання акумулятора з інструмента або зарядного пристрою обов'язково встановіть кришку відсіку для акумулятора й зберігайте її в сухому місці.
 9. Заборонено замінити акумулятор вологими руками.
 10. Уникайте небезпечних робочих умов. Не користуйтеся машиною у вологих або мокрих місцях і не допускайте її перебування під дощем. У разі потраплення води в машину підвищується ризик ураження електричним струмом.
 11. У разі потраплення води на касету з акумулятором злийте воду з касети й витріть її сухою ганчіркою. Перед використанням касети з акумулятором дайте їй повністю висохнути в сухому місці.

Обслуговування

1. Ремонт електроінструмента повинен здійснювати лише кваліфікований майстер з використанням лише стандартних деталей. Це забезпечить підтримання електроінструмента в належному стані.
2. **Забороняється ремонтувати пошкоджені акумулятори.** Ремонт акумуляторів має виконувати тільки виробник або вповноважений постачальник послуг.

ЗБЕРІГАЙТЕ ЦІ ВКАЗІВКИ.

⚠ПОПЕРЕДЖЕННЯ: НИКОЛИ НЕ втрачайте пильності та не розслаблюйтеся під час користування виробом (що можливо при частому користуванні); обов'язково строго дотримуйтеся відповідних правил безпеки.

НЕНАЛЕЖНЕ ВИКОРИСТАННЯ або недотримання правил техніки безпеки, викладених у цій інструкції з експлуатації, може призвести до серйозних травм.

Важливі інструкції з безпеки для касети з акумулятором

1. Перед тим як користуватися касетою з акумулятором, слід прочитати всі інструкції та застережні знаки щодо (1) зарядного пристрою акумулятора, (2) акумулятора та (3) виробів, що працюють від акумулятора.
2. Не розбирайте касету з акумулятором і не змінюйте її конструкцію. Це може призвести до пожежі, перегріву або вибуху.
3. Якщо період роботи дуже покоротшав, слід негайно припинити користування. Це може призвести до виникнення ризику перегріву, опіку та навіть вибуху.
4. У разі потрапляння електроліту в очі слід промити їх чистою водою та негайно звернутися до лікаря. Це може призвести до втрати зору.
5. Не закоротіть касету з акумулятором.
 - (1) Не слід торкатися клем будь-яким струмопровідним матеріалом.
 - (2) Не слід зберігати касету з акумулятором у смності з іншими металевими предметами, такими як цвяхи, монети тощо.
 - (3) Не залишайте касету з акумулятором під дощем, запобігайте контакту з водою.Коротке замикання може призвести до появи значного струму, перегріву, можливих опіків та навіть виходу з ладу.
6. Не слід зберігати й використовувати інструмент і касету з акумулятором у місцях, де температура може сягнути чи перевищити 50 °C (122 °F).
7. Не слід спалювати касету з акумулятором, навіть якщо вона була неодноразово пошкоджена або повністю спрацьована. Касета з акумулятором може вибухнути у вогні.
8. Заборонено забивати цвяхи в касету з акумулятором, різати, ламати, кидати, впускати касету з акумулятором або вдаряти її твердим предметом. Це може призвести до пожежі, перегріву або вибуху.

9. **Не слід використовувати пошкоджений акумулятор.**
10. **Літій-іонні акумулятори, що містяться в інструменті, мають відповідати вимогам законів про небезпечні товари.** Під час транспортування за допомогою комерційних перевезень, наприклад із залученням третьої сторони та експедиторів, необхідно дотримуватись особливих вимог, вказаних на пакуванні й у маркуванні. Під час підготовки позиції до відправлення необхідно проконсультуватись зі спеціалістом з небезпечних матеріалів. Крім того, слід виконувати більш докладні національні настанови, якщо такі є.
Заклейте відкриті контакти стрічкою або заховайте їх і запакуйте акумулятор таким чином, щоб він не міг рухатися в пакуванні.
11. **Для утилізації касети з акумулятором витягніть її з інструмента та утилізуйте безпечним способом.** Дотримуйтеся норм місцевого законодавства щодо утилізації акумуляторів.
12. **Використовуйте акумулятори лише з виробами, указаними компанією Makita.** Установлення акумуляторів у невідповідні вироби може призвести до пожежі, надмірного нагрівання, вибуху чи витoku електроліту.
13. **Якщо інструментом не користуватимуться протягом тривалого періоду часу, вийміть акумулятор з інструмента.**
14. **Під час і після використання касета з акумулятором може нагріватися, що може стати причиною опіків або низькотемпературних опіків.** Будьте обережні під час поводження з гарячою касетою з акумулятором.
15. **Не торкайтеся контактів інструмента відразу після використання, оскільки він може бути досить гарячим, щоб викликати опіки.**
16. **Не допускайте, щоб уламки, пил або земля прилипали до контактів, отворів і пазів на касеті з акумулятором.** Це може призвести до перегріву, займання, вибуху та виходу з ладу інструмента або касети з акумулятором і спричинити опіки або травми.
17. **Якщо інструмент не розраховано на використання поблизу високовольтних ліній електропередач, не використовуйте касету з акумулятором поблизу високовольтних ліній електропередач.** Це може призвести до несправності, поломки інструмента або касети з акумулятором.
18. **Тримайте акумулятор у недоступному для дітей місці.**

ЗБЕРІГАЙТЕ ЦІ ВКАЗІВКИ.

⚠ОБЕРЕЖНО: Використовуйте тільки акумулятори Makita. Використання акумуляторів, інших ніж оригінальні акумулятори Makita, або акумуляторів, конструкцію яких було змінено, може призвести до вибуху акумулятора і спричинити пожежу, травму або пошкодження. У зв'язку з цим також буде анульовано гарантію Makita на інструмент Makita і на зарядний пристрій.

Поради з забезпечення максимального строку експлуатації акумулятора

1. Касету з акумулятором слід заряджати до того, як він розрядиться повністю. Завжди слід зупинити роботу інструмента та зарядити акумулятор, якщо ви помітили зменшення потужності інструмента.
2. Ніколи не слід заряджати повторно повністю заряджену касету з акумулятором. Перезарядження скорочує строк експлуатації акумулятора.
3. Заряджайте касету з акумулятором при кімнатній температурі 10°C - 40°C (50°F - 104°F). Перед тим як заряджати касету з акумулятором, слід зачекати, доки вона охолоне.
4. Коли касета з акумулятором не використовується, виймайте її з інструмента або зарядного пристрою.
5. Якщо касета з акумулятором не використовувалася тривалий час (понад шість місяців), її слід зарядити.

ЗБОРКА

▲ ПОПЕРЕДЖЕННЯ: Перш ніж починати будь-які роботи з машиною, обов'язково виймайте касету з акумулятором. Якщо не вийняти касету з акумулятором, це може призвести до серйозних травм унаслідок випадкового запуску машини.

▲ ПОПЕРЕДЖЕННЯ: Запускайте газонокосарку тільки в повністю зібраному стані. Використання машини в частково зібраному стані може спричинити тяжкі травми через випадковий пуск.

Встановлення кришки відсіку для акумулятора

▲ ПОПЕРЕДЖЕННЯ: Не вставляйте касету з акумулятором до встановлення кришки відсіку для акумулятора. Недотримання цієї вимоги може призвести до важких травм.

Перед початком роботи повністю встановіть кришку відсіку для акумулятора. Кришка відсіку для акумулятора слугує для захисту газонокосарки й касети з акумулятором від бруду та води.

1. Розташуйте кришку відсіку для акумулятора, сумістивши виступи на газонокосарці з отворами на кришці.
► **Рис.1:** 1. Виступ 2. Отвір 3. Кришка відсіку для акумулятора
2. Розташуйте руки посередині кришки відсіку для акумулятора та натисніть на неї.
► **Рис.2**
3. Упевніться, що кришку відсіку акумулятора надійно закріплено, і що кришку відсіку акумулятора надійно зафіксовано блокувальним важелем.
► **Рис.3:** 1. Блокувальний важіль

Встановлення ручок

▲ ОБЕРЕЖНО: Надійно встановіть ручки.

УВАГА: Установлюючи ручки, розташуйте шнур таким чином, щоб він не міг зачепитися за будь-які предмети, які знаходяться між ручками. Якщо шнур пошкоджено, пусковий важіль газонокосарки може не працювати.

1. Помістіть обидва кінці нижньої ручки в пази на корпусі косарки, потім затягніть затискні важелі, а потім складіть затискні важелі.

► **Рис.4:** 1. Затискний важіль 2. Нижня ручка

Під час затягування затискних важелів затягуйте їх доти, доки кільця на важелях не стануть непомітними.

► **Рис.5:** 1. Кільце

ПРИМІТКА: Після складання затискних важелів переконайтеся, що між нижньою рукою та корпусом косарки немає зазору.

► **Рис.6**

2. Сумістіть отвір на верхній ручці з отвором на нижній ручці, потім вставте ззовні болт і затягніть гайку з накаткою з внутрішньої сторони. Виконайте ту саму процедуру з іншого боку.

► **Рис.7:** 1. Гайка з накаткою 2. Болт

ПРИМІТКА: Міцно тримайте верхню ручку, щоб вона не випала з руки.

Демонтаж вставки для мульчування

1. Відчиніть задню кришку.

► **Рис.8:** 1. Задня кришка

2. Утримуйте вставку для мульчування за ручку й витягніть її з корпусу газонокосарки, як показано на рисунку.

► **Рис.9:** 1. Ручка 2. Вставка для мульчування

Установлення та зняття кошика для трави

Для встановлення кошика для трави виконайте зазначені далі дії.

1. Відчиніть задню кришку.

► **Рис.10:** 1. Задня кришка

2. Утримуючи ручку кошика для трави, зачепіть кошик для трави за стрижень на корпусі газонокосарки, як показано на малюнку.

► **Рис.11:** 1. Стрижень 2. Ручка 3. Корзина для трави

Щоб зняти кошик для трави, відкрийте задню кришку й витягніть кошик для трави, утримуючи ручку.

Установлення вставки для мульчування

1. Відчиніть задню кришку і зніміть корзину для трави.

► **Рис.12:** 1. Задня кришка 2. Корзина для трави

2. Утримуйте вставку для мульчування за ручку й вставте її в корпус газонокосарки до упору, як показано на рисунку.

► **Рис.13:** 1. Ручка 2. Вставка для мульчування

ОПИС РОБОТИ

⚠ОБЕРЕЖНО: Перед регулюванням або перевіркою роботи машини вимикайте її й витягайте касету з акумулятором.

Встановлення та зняття касети з акумулятором

⚠ОБЕРЕЖНО: Обов'язково вимикайте машину перед установленням або зняттям касети з акумулятором.

⚠ОБЕРЕЖНО: Під час установлення або зняття касети з акумулятором слід міцно тримати машину й касету з акумулятором. Якщо втримувати машину й касету з акумулятором недостатньо міцно, вони можуть вислизнути з рук, що може призвести до пошкодження машини й касети з акумулятором або спричинити травми.

⚠ОБЕРЕЖНО: Перед використанням обов'язково заблокуйте кришку відсіку для акумулятора. Інакше бруд чи вода може спричинити пошкодження виробу або касети з акумулятором.

⚠ОБЕРЕЖНО: Завжди вставляйте касету з акумулятором повністю, доки не зникне червоний індикатор. Якщо цього не зробити, касета може випадково випасти з обладнання й завдати травми вам або людям, що перебувають поруч.

⚠ОБЕРЕЖНО: Не встановлюйте касету з акумулятором із зусиллям. Якщо касета не вставляється легко, це означає, що її вставляють неправильно.

⚠ОБЕРЕЖНО: Під час установлення або зняття касети з акумулятором міцно тримайте кришку відсіку для акумулятора.

Встановлення касети з акумулятором

1. Потягніть блокувальний важіль угору й відкрийте кришку відсіку для акумулятора.

► **Рис.14:** 1. Кришка відсіку для акумулятора
2. Блокувальний важіль

2. Сумістіть язичок на касеті з акумулятором із пазом на газонокосарці, а тоді вставте касету до фіксації з клацанням.

► **Рис.15:** 1. Касета з акумулятором

3. Щільно закрийте кришку відсіку для акумулятора.

Виймання касети з акумулятором з газонокосарки

1. Потягніть блокувальний важіль угору й відкрийте кришку відсіку для акумулятора.

2. Витягніть касету з акумулятором з газонокосарки, водночас натискаючи кнопку на передній частині касети.

3. Закрийте кришку відсіку для акумулятора.

Система захисту обладнання й акумулятора

Машину оснащено системою захисту обладнання й акумулятора. Ця система автоматично вимикає живлення двигуна з метою подовження терміну служби машини й акумулятора. Машина автоматично зупиняється під час роботи, якщо вона або акумулятор перебувають у зазначених далі умовах.

Захист від перевантаження

Якщо через спосіб експлуатації машини або акумулятора споживається аномально високий струм, машина автоматично припинить роботу, а індикаторна лампа почне світитися червоним. У такому разі вимкніть машину й припиніть роботу, під час виконання якої сталося перевантаження машини. Щоб перезапустити машину, увімкніть її знову.

Захист від перегрівання

Якщо машина перегріється, вона автоматично вимкнеться, а індикаторна лампа почне світитися червоним. Дайте машині охолонути перед її повторним увімкненням.

Захист від надмірного розрядження

При низькому заряді акумулятора машина автоматично зупиниться, а індикаторна лампа почне світитися червоним. Якщо машина не працює, навіть коли задіяно вмикачі, вийміть акумулятор із машини й зарядіть його.

Захист від інших неполадок

Система захисту також забезпечує захист від інших неполадок, які можуть призвести до пошкодження машини, і забезпечує автоматичне припинення роботи машиною. У разі тимчасової зупинки або припинення роботи машини виконайте всі зазначені нижче дії для усунення причини зупинки.

1. Вимкніть і знову увімкніть машину, щоб перезапустити її.
2. Зарядіть акумулятор(-и) або замініть його(їх) зарядженим(-и).
3. Дайте машині й акумулятор(ам) охолонути.

Якщо після відновлення вихідного стану системи захисту ситуація не зміниться, зверніться до місцевого сервісного центру Makita.

УВАГА: Якщо машина зупиняється з причини, не описаної вище, див. розділ про усунення несправностей.

ПРИМІТКА: Час, через який вмикається індикатор, залежить від температури на робочому місці й від стану касети з акумулятором.

Відображення залишкового заряду акумулятора

► **Рис.16:** 1. Індикаторна лампа

За низького заряду акумулятора індикаторна лампа почне блимати червоним. У разі подальшого використання машина припинить роботу, а індикаторна лампа почне світитися червоним. У такому разі необхідно зарядити касету з акумулятором.

Відображення залишкового заряду акумулятора

Натисніть кнопку перевірки на касеті з акумулятором для відображення залишкового ресурсу акумулятора. Індикаторні лампи загоряться на кілька секунд.

► **Рис.17:** 1. Індикаторні лампи 2. Кнопка перевірки

Індикаторні лампи			Залишковий ресурс
Горить	Вимк.	Блимає	
■	□	▧	Зарядіть акумулятор.
■ ■ ■ ■	□	□	
■ ■ ■	□	□	
■ ■	□	□	
■	□	□	
▧	□	□	
■ ■	□	□	Можливо, акумулятор вийшов з ладу.
□	□	■ ■	

ПРИМІТКА: Залежно від умов використання та температури оточуючого середовища показання можуть незначним чином відрізнятись від дійсного ресурсу.

ПРИМІТКА: Перша (дальня ліва) індикаторна лампа блимає під час роботи захисної системи акумулятора.

Дія вимикача

▲ПОПЕРЕДЖЕННЯ: Перш ніж вставляти в інструмент касету з акумулятором, слід обов'язково переконавшись в тому, що пусковий важіль спрацьовує належним чином і повертається у вихідне положення після відпускання.

Робота з машиною, вимикач якої не спрацьовує належним чином, може призвести до втрати контролю над машиною й отримання тяжких травм.

ПРИМІТКА: Навіть за натискання на пусковий важіль газонокосарка не запуститься, якщо не натиснуто пускову кнопку.

ПРИМІТКА: Газонокосарка може не запуститися через перевантаження, якщо спробувати скосити високу або густу траву за один прохід. У такому разі потрібно збільшити висоту скошування.

Цю машину обладнано пусковою кнопкою. Якщо ви помітите щось незвичне в роботі пускової кнопки, негайно припиніть роботу й перевірте її в найближчому авторизованому сервісному центрі Makita.

1. Установіть касету з акумулятором і щільно закрийте кришку відсіку для акумулятора.
2. Потягніть пусковий важіль до себе, утримуючи пускову кнопку. Щойно двигун запуститься, відпустіть пускову кнопку.

► **Рис.18:** 1. Пускова кнопка 2. Пусковий важіль

3. Щоб зупинити двигун, відпустіть пусковий важіль.

Регулювання висоти скошування

▲ПОПЕРЕДЖЕННЯ: Регулюючи висоту скошування, у жодному разі не розташовуйте руку чи ногу під корпусом газонокосарки.

▲ПОПЕРЕДЖЕННЯ: Перед початком роботи переконайтеся, що важіль належним чином увійшов у паз.

Висоту скошування можна відрегулювати в діапазоні від 20 мм до 75 мм.

Вимкніть машину й потягніть важіль регулювання висоти скошування з корпусу газонокосарки, а потім установіть його в положення вибору бажаної висоти косіння.

► **Рис.19:** 1. Важіль регулювання висоти скошування

У таблиці нижче показано співвідношення цифр на корпусі газонокосарки та приблизної висоти скошування.

Цифра	Висота скошування
1	20 мм
2	29 мм
3	36 мм
4	44 мм
5	53 мм
6	61 мм
7	69 мм
8	75 мм

ПРИМІТКА: Позначки висоти скошування слід використовувати лише для довідки. Залежно від стану газону або ґрунту фактична висота скошування може дещо відрізнятись від заданого значення.

ПРИМІТКА: Зробіть пробне скошування трави у менш помітному місці, щоб налаштувати потрібну висоту.

Індикатор рівня трави

► **Рис.20:** 1. Індикатор рівня трави

Індикатор рівня трави показує обсяг скошеної трави.

- Коли корзина для трави неповна, індикатор коливається під час косіння.
- Коли корзина для трави повна, індикатор не коливається під час косіння. У такому разі негайно припиніть косіння й спорожніть корзину. Після цього почистіть порожню корзину, так щоб її сітка пропускала повітря.

ПРИМІТКА: Цей індикатор є лише приблизним. Залежно від умов усередині корзини цей індикатор може працювати неналежним чином.

Регулювання висоти рукоятки

⚠ ОБЕРЕЖНО: Перш ніж зняти болти, міцно візьміться за верхню ручку. Недотримання цієї вимоги може призвести до травм у разі падіння ручки.

Ручка має двоступеневе регулювання висоти.

1. Ослабте гайки з накаткою ручки, а потім зніміть болти й гайки з накаткою.

► **Рис.21:** 1. Накатна гайка

2. Відрегулюйте висоту ручки.

3. Вставте болти ззовні, а потім із внутрішньої сторони затягніть гайки з накаткою.

Використання вставки для мульчування

Вставка для мульчування дає змогу скидати подрібнену траву назад на газон, не збираючи її в кошик для трави. У разі роботи зі вставкою для мульчування вплевніться, що кошик для трави знято з машини.

УВАГА: У разі використання машини зі вставкою для мульчування переконайтеся, що загальна довжина трави після зрізання становить щонайменше 30 мм, а довжина зрізу не перевищує 15 мм.

► **Рис.22:** (1) 30 мм або більше (2) 15 мм або менше

РОБОТА

Косіння

⚠ ПОПЕРЕДЖЕННЯ: Перш ніж починати косити газон, приборіть з робочої ділянки гілки та каміння. Крім того, видаліть заздалегідь бур'ян із робочої ділянки.

⚠ ПОПЕРЕДЖЕННЯ: Під час використання газонокосарки обов'язково користуйтеся захисними окулярами з боковими щитками.

⚠ ОБЕРЕЖНО: Якщо в корпусі газонокосарки накопичилися трава або сторонні об'єкти, перш ніж видаляти їх, обов'язково вийміть касету з акумулятором і надягніть захисні рукавички.

УВАГА: Використовуйте машину лише для косіння газонів. Не використовуйте її для косіння бур'янів.

► **Рис.23**

Під час косіння міцно тримайте рукоятку обома руками.

Рекомендована швидкість скошування становить приблизно 1 метр за 2–4 секунди.

► **Рис.24**

ПРИМІТКА: Якщо під час косіння газону з високою або густою травою виявиться, що траву скошено нерівномірно або неякісно, або під час косіння знизиться швидкість обертання двигуна, зменште швидкість косіння до рівня, нижчого за рекомендований у цьому посібнику, або збільште висоту скошування.

Центральні лінії на передніх колесах показують ширину смуги скошування. Використовуйте їх як напрямні, косите смугами. Щоб рівномірно підстригти газон, перекивайте косаркою половину або третину попередньої смуги.

► **Рис.25:** 1. Ширина скошування 2. Зона перекриття 3. Центральна лінія

Змінійте напрям руху кожного разу, щоб уникнути пригнітання трави в одному напрямку.

► **Рис.26**

Періодично перевіряйте кількість скошеної трави в кошику для трави. Спорожняйте кошик для трави до того, як він заповниться. Перед кожною перевіркою зупиняйте й вимикайте машину.

УВАГА: Якщо використовувати газонокосарку із заповненим кошиком для трави, ріжуче полотно обертатиметься нерівномірно – це збільшує навантаження на двигун і може призвести до його виходу з ладу.

Косіння газону з високою травою

Не намагайтеся покосити газон з високою травою за один прохід. Натомість косіть такий газон у кілька прийомів. Косіть газон з інтервалом один або два дні, поки трава не набуде рівномірної довжини.

ПРИМІТКА: Якщо скосити високу траву одразу дуже коротко, це може призвести до її відмирання. Крім того, зрізана трава може заблокувати зсередини корпус газонокосарки.

Спорожнення корзини для трави

⚠ ПОПЕРЕДЖЕННЯ: Щоб зменшити ризик нещасного випадку, регулярно оглядайте корзину для трави на наявність пошкоджень або зменшення міцності. За необхідності замініть корзину для трави.

1. Відпустіть пусковий важіль.
2. Зніміть касету з акумулятором.
3. Відкрийте задню кришку й вийміть кошик для трави, тримаючи його за ручку.

► **Рис.27:** 1. Задня кришка 2. Ручка

4. Спорожніть корзину для трави.

ТЕХНІЧНЕ ОБСЛУГОВУВАННЯ

▲ПОПЕРЕДЖЕННЯ: Завжди впевнитесь, що касету з акумулятором вийнято з машини, перш ніж поміщати машину на зберігання, переносити її, виконувати перевірку або технічне обслуговування.

▲ПОПЕРЕДЖЕННЯ: Під час огляду або проведень технічного обслуговування одягайте рукавиці.

▲ПОПЕРЕДЖЕННЯ: Під час огляду або технічного обслуговування інструмента обов'язково користуйтеся захисними окулярами з боковими щитками.

УВАГА: Ніколи не використовуйте газолін, бензин, розріджувач, спирт та подібні речовини. Їх використання може призвести до зміни кольору, деформації або появи тріщин.

Для забезпечення БЕЗПЕКИ та НАДІЙНОСТІ продукції, її ремонт, а також роботи з обслуговування або регулювання повинні виконуватись уповноваженими або заводськими сервісними центрами Makita із використанням запчастин виробництва компанії Makita.

Технічне обслуговування

1. Вийміть касету з акумулятором і закрийте кришку відсіку для акумуляторів.
2. Поставте газонокосарку на бік. Видаліть обрізки трави з дна газонокосарки.
3. Лийте воду на нижню частину інструмента, де кріпиться ріжуче полотно.

УВАГА: Не мийте інструмент струменем під тиском.

4. Перевірте, чи належним чином затягнуто всі гайки, болти, гвинти тощо.
5. Огляньте рухомі частини на наявність пошкоджень, тріщин та зношення. Пошкоджені або відсутні деталі необхідно відремонтувати або замінити.
6. Зберігайте інструмент у безпечному й недоступному для дітей місці.

Зберігання

▲ОБЕРЕЖНО: Ставити машину у вертикальне положення потрібно на рівній надійній поверхні. У разі розміщення машини на нестабільній поверхні вона може перекинутися й спричинити травмування.

Зберігайте газонокосарку в прохолодному, сухому й замкненому приміщенні. Заборонено зберігати газонокосарку й зарядний пристрій у місцях, де температура може сягнути або перевищити 40 °C.

1. Зніміть касету з акумулятором.
2. Зніміть корзину для трави.

3. Розкладіть затискний важіль, потім складіть рукоятку, а тоді складіть затискний важіль.

► **Рис.28:** 1. Затискний важіль

4. Послабте гайки з накаткою на ручці, а потім складіть верхню ручку.

► **Рис.29:** 1. Гайка з накаткою 2. Верхня ручка

5. Установіть машину у вертикальне положення.

ПРИМІТКА: Установлюючи газонокосарку у вертикальне положення, не тримайте її лише за ручку; натомість тримайте її і за корпус, і за ручку.

6. Зберігайте корзину для трави між рукою та корпусом газонокосарки.

► **Рис.30:** 1. Корзина для трави

Перенесення газонокосарки

▲ОБЕРЕЖНО: Перш ніж переносити газонокосарку, упевніться, що касету з акумулятором вийнято.

Переносити газонокосарку потрібно, тримаючи її за задню ручку й передню нижню виїмку, як показано на рисунку.

► **Рис.31:** 1. Нижня виїмка 2. Задня ручка

Зняття або встановлення ріжучого полотна газонокосарки

▲ПОПЕРЕДЖЕННЯ: Під час зняття або встановлення ріжучого полотна обов'язково виймайте касету з акумулятором. Якщо не вийняти касету з акумулятором, це може призвести до серйозних травм.

▲ПОПЕРЕДЖЕННЯ: Після відпускання пускового важеля ріжуче полотно продовжує рух за інерцією протягом кількох секунд. Заборонено розпочинати будь-які дії до повної зупинки ріжучого полотна.

▲ПОПЕРЕДЖЕННЯ: Під час роботи з ріжучим полотном обов'язково одягайте рукавиці.

УВАГА: Знімаючи або встановлюючи ріжуче полотно газонокосарки, використовуйте торцевий ключ, що входить до комплекту пристрою.

Знімання ріжучого полотна газонокосарки

1. Покладіть газонокосарку на бік таким чином, щоб важіль регулювання висоти скошування опинився зверху.
2. Щоб заблокувати обертання ріжучого полотна, вставте штифт або інструмент на кшталт викрутки в отвір у корпусі газонокосарки.
3. Відкрутіть болт, обертаючи його гайковим ключем проти годинникової стрілки.
► **Рис.32:** 1. Ріжуче полотно газонокосарки 2. Ключ 3. Викрутка 4. Отвір
4. Вийміть послідовно болт і лезо газонокосарки.
► **Рис.33:** 1. Опора для леза 2. Ріжуче полотно газонокосарки 3. Болт

Установлення ріжучого полотна газонокосарки

Щоб встановити ріжуче полотно газонокосарки, викачайте процедуру його зняття у зворотному порядку.

⚠ ПОПЕРЕДЖЕННЯ: Обережно встановіть ріжуче полотно газонокосарки. Воно має верхню й нижню поверхні.

⚠ ПОПЕРЕДЖЕННЯ: Міцно затягніть болт за годинниковою стрілкою, щоб закріпити ріжуче полотно.

⚠ ПОПЕРЕДЖЕННЯ: Переконайтеся в тому, що ріжуче полотно газонокосарки й усі кріпильні деталі правильно встановлено й надійно затягнуто.

⚠ ПОПЕРЕДЖЕННЯ: Під час встановлення ріжучих полотен обов'язково дотримуйтеся інструкцій, наведених у цьому посібнику.

УВАГА: Затягуючи болт для встановлення ріжучого полотна газонокосарки, застосуйте момент затягування 19–29 Н•м (значення наведено виключно для довідки).

УСУНЕННЯ НЕСПРАВНОСТЕЙ

Перш ніж звертатися з приводу ремонту машини, проведіть її перевірку самостійно. У разі виявлення несправності, яка не пояснюється в цій інструкції з експлуатації, не намагайтеся розібрати обладнання. Натомість зверніться до авторизованих сервісних центрів Makita, у яких для ремонту використовуються тільки запасні частини виробництва компанії Makita.

Стан відхилення від норми	Можлива причина (несправність)	Спосіб виправлення
Газонокосарка не запускається.	Касета з акумулятором не встановлена.	Вставте заряджену касету з акумулятором.
	Проблема з акумулятором (знижена напруга)	Зарядіть касету з акумулятором. Якщо зарядження не призвело до бажаного результату, замініть касету з акумулятором.
Двигун перестає працювати після короткочасного використання.	Низький рівень заряду акумулятора.	Зарядіть касету з акумулятором. Якщо зарядження не призвело до бажаного результату, замініть касету з акумулятором.
	Висота різання замала.	Збільште висоту різання.
Двигун не досягає максимальної швидкості обертання.	Касету з акумулятором встановлено неправильно.	Встановіть касету з акумулятором, як описано в цьому посібнику.
	Заряд акумулятора зменшується.	Зарядіть касету з акумулятором. Якщо зарядження не призвело до бажаного результату, замініть касету з акумулятором.
	Система приводу працює неправильно.	Зверніться до місцевого авторизованого сервісного центру з приводу ремонту.
Ріжуче полотно газонокосарки не обертається: ⇒ негайно зупиніть газонокосарку!	Сторонній предмет, як-от гілка, застряг поруч із ріжучим полотном.	Приберіть сторонній предмет.
	Система приводу працює неправильно.	Зверніться до місцевого авторизованого сервісного центру з приводу ремонту.
Аномальна вібрація: ⇒ негайно зупиніть газонокосарку!	Ріжуче полотно розбалансоване, надмірно або нерівномірно зношене.	Замініть ріжуче полотно.

ДОДАТКОВЕ ПРИЛАДДЯ

⚠ ОБЕРЕЖНО: Це допоміжне приладдя й насадки рекомендовано використовувати з машиною Makita, зазначеною в цьому посібнику. Використання будь-якого іншого додаткового приладдя й насадок може призвести до травмування. Використовуйте додаткове приладдя й насадки лише за призначенням.

У разі необхідності отримати допомогу в більш детальному ознайомленні з оснащенням звертайтеся до місцевого сервісного центру Makita.

- Ріжуче полотно газонокосарки
- Оригінальний акумулятор та зарядний пристрій Makita

ПРИМІТКА: Деякі елементи в списку можуть входити до комплекту поставки обладнання як стандартне приладдя. Вони можуть відрізнятися залежно від країни.

SPECIFICAȚII

Model:		LM003G	LM004G
Lățime de tundere (diametrul pânzei)		380 mm	430 mm
Turație în gol		3.800 min ⁻¹	
Numărul piesei de schimb pânză mașină de tuns iarba	Pânză dreaptă a mașinii de tuns iarba	1913G8-3	1913H4-8
	Pânză de mulcire	1913H0-6	1913H6-4
Dimensiuni (L x l x H)	În timpul funcționării	L: Între 1.370 mm și 1.420 mm l: 450 mm H: Între 990 mm și 1.020 mm	L: Între 1.390 mm - 1.440 mm l: 460 mm H: Între 990 mm - 1.020 mm
	În timpul depozitării (fără coș pentru iarbă)	520 mm x 450 mm x 880 mm	520 mm x 460 mm x 885 mm
Tensiune nominală		Max. 36 V - 40 V cc.	
Greutate netă		14,9 - 17,3 kg	15,6 - 18,2 kg
Grad de protecție		IPX4	

- Datorită programului nostru continuu de cercetare și dezvoltare, specificațiile pot fi modificate fără o notificare prealabilă.
- Specificațiile pot varia în funcție de țară.
- Greutatea poate diferi în funcție de accesoriu(ii), inclusiv cartușul acumulatorului. În tabel se prezintă combinația cea mai ușoară și cea mai grea, conform Procedurii EPTA 01/2014.

Cartușul acumulatorului și încărcătorul aplicabile

Cartușul acumulatorului	BL4020 / BL4025 / BL4040 / BL4040F / BL4050F / BL4080F
Încărcător	DC40RA / DC40RB / DC40RC / DC40WA

- Este posibil ca unele cartușe ale acumulatorilor și încărcătoare menționate mai sus să nu fie disponibile în funcție de regiunea dvs. de reședință.

⚠️ AVERTIZARE: Utilizați numai cartușele de acumulator și încărcătoarele enumerate mai sus. Utilizarea oricărui altor cartușe de acumulator și încărcătoare poate duce la rănire și/sau incendiu.

⚠️ AVERTIZARE: Nu utilizați o sursă de alimentare cu cablu, cum ar fi un adaptor pentru acumulator sau un bloc de alimentare portabil, cu această mașină. Cablul sursei de alimentare poate împiedica utilizarea și poate duce la vătămări corporale.

Simboluri

Mai jos sunt prezentate simbolurile care pot fi utilizate pentru echipament. Asigurați-vă că înțelegeți sensul acestora înainte de utilizare.

	Acordați atenție și grijă deosebită.
	Citiți manualul de utilizare.
	Pericol; țineți cont de obiectele care pot fi aruncate.
	Distanța dintre mașină și persoanele aflate în zonă trebuie să fie de cel puțin 15 m.
	Nu apropiați niciodată mâinile sau picioarele de pânza mașinii de tuns iarba, sub mașina de tuns iarba. Pânzele mașinii de tuns iarba continuă să se rotească după oprirea motorului.



Avertizare: deconectați acumulatorul înainte de a efectua lucrări de întreținere.



Doar pentru țările din cadrul UE
Din cauza prezenței componentelor periculoase în echipament, deșeurile de echipamente electrice și electronice, acumulatorii și bateriile pot avea un efect negativ asupra mediului și sănătății umane.
Nu eliminați aparatele electrice și electronice sau bateriile împreună cu gunoii menajer!
În conformitate cu Directiva europeană privind deșeurile de echipamente electrice și electronice, acumulatorii, bateriile și deșeurile de acumulatori și baterii, precum și cu adaptarea sa în legislația națională, deșeurile de echipamente electrice, de baterii și de acumulatori trebuie depozitate separat și eliminate la un centru de colectare separat pentru deșeurile municipale, care respectă reglementările privind protecția mediului. Acest lucru este indicat prin simbolul care reprezintă o pubeză cu roți barată cu o cruce, aplicat pe echipament.



Nivel de putere acustică garantat în conformitate cu Directiva UE privind zgomotul emis de echipamentele utilizate în exterior.



Nivel de putere acustică în conformitate cu Regulamentul NSW al Australiei privind atenuarea zgomotului

Destinația de utilizare

Mașina se folosește pentru tunderea ierbiilor.

Zgomot

Nivelul de zgomot normal ponderat A determinat în conformitate cu EN62841-4-3:

Model LM003G

Nivel de putere acustică măsurată (L_{WA}): 90 dB (A)

Nivel de putere acustică garantată (L_{WA}): 93 dB (A)

Nivel de presiune acustică (L_{pA}): 83 dB(A)

Marja de eroare a nivelului de presiune acustică (K): 3 dB(A)

Model LM004G

Nivel de putere acustică măsurată (L_{WA}): 90 dB (A)

Nivel de putere acustică garantată (L_{WA}): 93 dB (A)

Nivel de presiune acustică (L_{pA}): 81 dB(A)

Marja de eroare a nivelului de presiune acustică (K): 3 dB(A)

NOTĂ: Valoarea (valorile) totală(e) a (ale) emisiilor de zgomot declarate a(u) fost măsurată(e) în conformitate cu o metodă de test standard și poate (pot) fi utilizată(e) pentru compararea unei uneelte cu alta.

NOTĂ: Valoarea (valorile) totală(e) a (ale) emisiilor de zgomot declarate poate (pot) fi, de asemenea, utilizată(e) într-o evaluare preliminară a expunerii.

⚠️ AVERTIZARE: Purtați echipament de protecție pentru urechi.

⚠️ AVERTIZARE: Emisiile de zgomot în timpul utilizării efective a unelei electrice poate diferi de valoarea (valorile) nivelului declarat, în funcție de modul în care unealta este utilizată, în special ce fel de piesă este prelucrată.

⚠️ AVERTIZARE: Asigurați-vă că identificați măsurile de siguranță pentru a proteja operatorul, acestea fiind bazate pe o estimare a expunerii în condiții reale de utilizare (luând în considerare toate părțile ciclului de operare, precum timpii în care unealta a fost oprită, sau a funcționat în gol, pe lângă timpul de declanșare).

Vibrații

Valoarea totală a vibrațiilor (suma vectorilor tri-axiali) determinată conform EN62841-4-3:

Model LM003G

Emisie de vibrații (a_h): 2,5 m/s² sau mai puțin

Marjă de eroare (K): 1,5 m/s²

Model LM004G

Emisie de vibrații (a_h): 2,5 m/s² sau mai puțin

Marjă de eroare (K): 1,5 m/s²

NOTĂ: Valoarea (valorile) totală(e) a (ale) nivelului de vibrații declarat a (au) fost măsurată(e) în conformitate cu o metodă de test standard și poate (pot) fi utilizată(e) pentru compararea unei uneelte cu alta.

NOTĂ: Valoarea (valorile) totală(e) a (ale) nivelului de vibrații declarat poate (pot) fi, de asemenea, utilizată(e) într-o evaluare preliminară a expunerii.

⚠️ AVERTIZARE: Nivelul de vibrații în timpul utilizării efective a unelei electrice poate diferi de valoarea (valorile) nivelului declarat, în funcție de modul în care unealta este utilizată, în special ce fel de piesă este prelucrată.

⚠️ AVERTIZARE: Asigurați-vă că identificați măsurile de siguranță pentru a proteja operatorul, acestea fiind bazate pe o estimare a expunerii în condiții reale de utilizare (luând în considerare toate părțile ciclului de operare, precum timpii în care unealta a fost oprită, sau a funcționat în gol, pe lângă timpul de declanșare).

Declarații de conformitate

Numai pentru țările europene

Declarațiile de conformitate sunt incluse ca Anexa A la acest manual de instrucțiuni.

AVERTIZĂRI DE SIGURANȚĂ

Avertismente generale de siguranță pentru mașinile electrice

⚠️ AVERTIZARE Citiți toate avertizările privind siguranța, instrucțiunile, ilustrațiile și specificațiile furnizate cu această mașină electrică. Nerespectarea integrală a instrucțiunilor de mai jos poate provoca electrocutări, incendii și/sau accidente grave.

Păstrați toate avertismentele și instrucțiunile pentru consultări ulterioare.

Termenul „mașină electrică” din avertizări se referă la mașinile dumneavoastră electrice acționate de la rețea (prin cablu) sau cu acumulator (fără cablu).

Avertizări privind siguranța pentru mașina de tuns iarba fără cablu

1. **Nu utilizați mașina de tuns iarba în condiții de vreme nefavorabilă, în special când există riscul de descărcări electrice.** Astfel, reduceți riscul de a fi lovit de fulger.
2. **Inspectați cu atenție zona în care va fi utilizată mașina de tuns iarba, pentru a verifica dacă sunt animale sălbatice.** Animalele sălbatice pot fi rănite de mașina de tuns iarba în timpul funcționării.

3. **Inspectați cu atenție zona în care va fi utilizată mașina de tuns iarba și îndepărtați toate pietrele, bețele, sârmele, oasele și alte obiecte străine.** Obiectele aruncate pot provoca vătămări corporale.
4. **Înainte de a folosi mașina de tuns iarba, inspectați vizual pânza și ansamblul pânzei, pentru ca acestea să nu fie uzate sau deteriorate.** Piesele uzate sau deteriorate cresc riscul de rănire.
5. **Verificați frecvent opritorul pentru iarbă, pentru a detecta semne de uzură sau deteriorare.** Un opritor pentru iarbă uzat sau deteriorat poate crește riscul de vătămare corporală.
6. **Păstrați apărătorile în poziție. Apărătorile trebuie să fie în stare de funcționare și să fie montate adecvat.** O apărătoare care este slăbită, deteriorată sau care nu funcționează corect poate cauza vătămări corporale.
7. **Curățați resturile din toate admisile aerului de răcire.** Admisile de aer blocate și resturile pot provoca supraîncălzirea sau riscul de incendiu.
8. **În timpul utilizării mașinii de tuns iarba, purtați întotdeauna încălțăminte neaderentă de protecție.** Nu utilizați mașina de tuns iarba cu picioarele goale sau purtând sandale. Astfel, reduceți posibilitatea de a vă răni picioarele la contactul cu pânza aflată în mișcare.
9. **În timpul utilizării mașinii de tuns iarba, purtați întotdeauna pantaloni lungi.** Pielea expusă crește probabilitatea de rănire din cauza obiectelor aruncate.
10. **Nu utilizați mașina de tuns iarba pe iarba udă. Nu alergați niciodată.** Astfel, reduceți riscul de alunecare și cădere, ceea ce poate cauza vătămări corporale.
11. **Nu utilizați mașina de tuns iarba pe pante excesiv de abrupte.** Acest lucru implică riscul de pierdere a controlului, alunecare și cădere, ceea ce poate cauza vătămări corporale.
12. **Atunci când lucrați pe pante, asigurați-vă întotdeauna că aveți un echilibru bun, că întotdeauna lucrați transversal pe pante, niciodată în sus sau în jos, și că acordați foarte mare atenție atunci când schimbați direcția.** Acest lucru implică riscul de pierdere a controlului, alunecare și cădere, ceea ce poate cauza vătămări corporale.
13. **Procedați cu maximă atenție atunci când vă deplasați cu spatele sau când trageți mașina de tuns iarba spre dumneavoastră. Fiți atenți mereu la ceea ce se întâmplă în jur.** Astfel, reduceți riscul de împiedicare în timpul funcționării.
14. **Nu atingeți pânzele și alte piese periculoase aflate în mișcare până nu s-au oprit.** Astfel, reduceți riscul de rănire din cauza pieselor aflate în mișcare.
15. **Atunci când îndepărtați materialul blocat în mașina de tuns iarba sau efectuați operațiuni de curățare a acesteia, asigurați-vă că toate comutatoarele de alimentare sunt oprite și că grupul de acumulatori este deconectat.** Pornirea neașteptată a mașinii de tuns iarba poate provoca vătămări corporale grave.

⚠️AVERTIZARE: NU permiteți comodității și familiarizării cu produsul (obținute prin utilizare repetată) să înlocuiască respectarea strictă a normelor de securitate pentru acest produs.

FOLOSIREA INCORECTĂ sau nerespectarea normelor de securitate din acest manual de instrucțiuni poate provoca vătămări corporale grave.

INSTRUCȚIUNI IMPORTANTE PRIVIND SIGURANȚA

⚠️AVERTIZARE: Citiți toate avertismentele de siguranță și toate instrucțiunile. Nerespectarea acestor avertismente și instrucțiuni poate avea ca rezultat electrocutarea, incendiul și/sau rănirea gravă.

Păstrați toate avertismentele și instrucțiunile pentru consultări ulterioare.

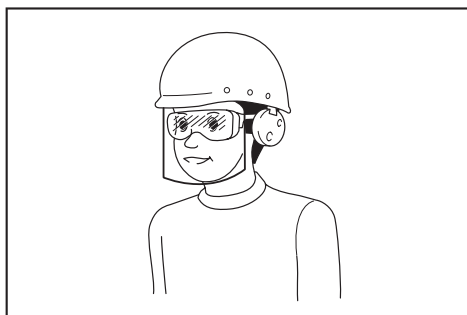
Instruire

1. **Citiți cu atenție instrucțiunile. Familiarizați-vă cu comenzile și cu utilizarea corectă a mașinii de tuns iarba.**
2. **Nu permiteți niciodată copiilor sau persoanelor care sunt nefamiliarizate cu aceste instrucțiuni să utilizeze mașina de tuns iarba.** Reglementările locale pot restricționa vârsta operatorului.
3. **Nu folosiți mașina de tuns iarba când în apropiere se află copii sau animale de companie.**
4. **Amintiți-vă că operatorul sau utilizatorul este responsabil de accidentele sau situațiile periculoase antrenate de utilizarea mașinii, cauzate altor persoane sau bunurilor acestora.**
5. **Copiii trebuie supravegheați, pentru a vă asigura că aceștia nu au acces la mașina de tuns iarba.**
6. **Stare fizică – nu utilizați mașina de tuns iarba atunci când vă aflați sub influența drogurilor, alcoolului sau a oricărui medicament.**

Pregătire

1. **În timpul folosirii mașinii de tuns iarba, purtați întotdeauna încălțăminte solidă și pantaloni lungi.** Nu utilizați mașina de tuns iarba cu picioarele goale sau cu sandale. Evitați să purtați bijuterii sau articole de îmbrăcăminte largi sau cu cordoane sau șnururi care atarnă. Acestea ar putea fi prinse în piesele mobile.
2. **Înainte de utilizare, verificați întotdeauna vizual mașina de tuns iarba pentru a vedea dacă apărătorile sau protecțiile sunt deteriorate, lipsesc sau sunt fixate necorespunzător.**
3. **Asigurați-vă că în zonă nu se află alte persoane înainte de a tunde iarba. Opriți mașina de tuns iarba dacă intră o persoană în zonă.**
4. **Purtați întotdeauna ochelari de protecție pentru a vă proteja ochii contra rănirii atunci când utilizați unelte electrice. Ochelarii trebuie să fie în conformitate cu ANSI Z87.1 în S.U.A., EN 166 în Europa sau AS/NZS 1336 în Australia/ Noua Zeelandă. În Australia/Noua Zeelandă se solicită în mod legal și purtarea unei măști obligatorii pentru a vă proteja fața.**

PĂSTRAȚI ACESTE INSTRUCȚIUNI.



Întră în responsabilitatea angajatorului să impună utilizarea unor echipamente de protecție și siguranță adecvate de către utilizatorii mașinii și de către celelalte persoane din imediata apropiere a zonei de lucru.

5. Înainte de folosire, verificați atent dacă pâzele sau șuruburile pâzelor prezintă fisuri sau deteriorări. Înlocuiți imediat pâzele sau șuruburile pâzelor fisurate ori deteriorate.
6. Înlăturați corpurile străine, cum ar fi pietrele, sârmele, sticlele, oasele și bețele mari, din zona de lucru înainte de a tunde iarba pentru a preveni vătămrile personale sau deteriorarea mașinii.
7. Obiectele lovite de pâza mașinii de tuns iarba pot cauza leziuni severe persoanelor. Gazonul trebuie întotdeauna examinat cu atenție și degajat de orice obiecte înainte de fiecare operațiune de tuns iarba.
8. Aveți grijă la gropi, șanțuri, denivelări, pietre sau alte obiecte ascunse. Terenul denivelat poate provoca alunecarea și accidente prin cădere. Iarba înaltă poate să ascundă obstacole.
9. Purtați echipamentul personal de protecție. Purtați întotdeauna ochelari de protecție. Echipamentele de protecție precum masca de protecție contra prafului, încălțămintea cu talpă antiderapantă, cască sau protecția pentru urechi utilizate pentru condiții corespunzătoare vor reduce riscul accidentărilor.

Operarea

1. Nu vă întindeți excesiv. Mențineți-vă permanent echilibrul. Asigurați-vă întotdeauna echilibrul atunci când vă deplasați pe suprafețe înclinate. Nu alergați niciodată.
2. Oprii mașina de tuns iarba, deconectați alimentarea mașinii și asigurați-vă că toate piesele aflate în mișcare s-au oprit complet:
 - ori de câte ori lăsați mașina nesupravegheată,
 - înainte de a elimina blocajele sau de a desfundă jghebul,
 - înainte de a controla, curăța sau lucra cu mașina,
 - după ce ați lovit un obiect străin. Verificați mașina pentru a detecta eventuale deteriorări și efectuați reparațiile necesare înainte de a repune în funcțiune și utiliza mașina:
 - de fiecare dată când mașina de tuns iarba începe să vibreze anormal.

3. Nu operați niciodată mașina cu apărătorile sau protecțiile defecte sau fără dispozitivele de siguranță, cum ar fi deflectoarele și/sau separatorul de iarbă, montate.
4. Evitați utilizarea mașinii de tuns iarba în condiții de vreme nefavorabilă, în special când există riscul de descărcări electrice.
5. Purtați permanent ochelari de protecție și încălțămintă rezistentă atunci când utilizați mașina de tuns iarba.
6. Operați mașina de tuns iarba doar la lumina zilei sau la o lumină artificială puternică.
7. Porniți mașina de tuns iarba cu atenție conform instrucțiunilor, cu picioarele la distanță de lamă(e).
8. Aveți grijă să nu vă răniți picioarele și mâinile cu pâzele mașinii de tuns iarba.
9. Asigurați-vă întotdeauna că orificiile de ventilație nu conțin reziduuri.
10. Tundeți iarba de-a lungul pantei, niciodată în sus sau în jos. Acordați atenție maximă atunci când schimbați direcția pe suprafețele înclinate. Nu tundeți iarba pe o pantă excesiv de abruptă.
11. Procedați cu maximă atenție atunci când vă deplasați în marșarier sau când trageți mașina spre dumneavoastră.
12. Fixați bine lama/lamele dacă mașina trebuie înclinată pentru transport atunci când traversați suprafețe fără iarbă și când transportați mașina de tuns la sau de la locul în care va fi utilizată.
13. Nu înclinați mașina atunci când porniți motorul, decât dacă mașina trebuie înclinată pentru a porni. În acest caz, nu o înclinați mai mult decât este strict necesar și ridicați numai partea care se află la distanță de operator. Aveți grijă întotdeauna ca ambele mâini să fie în poziția de operare înainte de a pune din nou mașina de tuns iarba pe sol.
14. Nu apropiați mâinile sau picioarele și nu le țineți sub piesele rotative. Păstrați în permanență distanța față de orificiul de descărcare.
15. Nu transportați mașina în timp ce este în funcțiune.
16. Evitați operarea mașinii pe iarba udă.
17. Țineți întotdeauna strâns mânerul.
18. Nu apucați lamele de tăiere sau muchiile de tăiere expuse atunci când ridicați sau țineți mașina de tuns iarba.
19. Țineți mâinile și picioarele la distanță de lamele rotative. Atenție - Lamele se rotesc după ce oprii mașina.
20. Întrerupeți imediat funcționarea dacă observați orice lucru neobișnuit. Oprii mașina de tuns iarba. Apoi inspectați mașina de tuns iarba.
21. Nu încercați niciodată să reglați înălțimea de tăiere în timp ce mașina funcționează, în cazul în care aceasta dispune de o funcție de reglare a înălțimii.

22. **Eliberați pârghia de comutare și așteptați să înceteze rotația pânzelor înainte de a traversa alei, cărări, drumuri și orice zone acoperite cu pietriș. De asemenea, opriți alimentarea mașinii dacă lăsați mașina de tuns iarba nesu-pravegheată, dacă vă aplecați să ridicați sau să îndepărtați ceva din drum sau din orice alt motiv care v-ar putea distra atenția de la ceea ce faceți.**
23. **În cazul în care mașina de tuns iarba lovește un obiect străin, urmați acești pași:**
 - Opriti mașina, eliberați levierul schimbătorului de viteză și așteptați până când lama se oprește complet.
 - Scoateți cartușul acumulatorului.
 - Inspectați cu atenție mașina de tuns iarba pentru a detecta eventuale deteriorări.
 - Înlocuiți lama dacă s-a deteriorat în vreun fel. Reparați orice defecțiune înainte de a reporni și continua operarea mașinii de tuns iarba.
24. **Nu porniți mașina atunci când vă aflați în fața orificiului de descărcare.**
25. **Dacă mașina începe să vibreze anormal (verificați imediat)**
 - inspectați pentru a detecta eventuale deteriorări,
 - înlocuiți sau reparați orice piese deteriorate, - verificați prezența și străngeți orice piese slăbite.
26. **Nu îndreptați niciodată materialul evacuat spre alte persoane. Evitați evacuarea materialului pe un perete sau un alt obstacol. Materialul poate ricoșa înspre operator. Opriti pânza atunci când treceți peste suprafețe acoperite cu pietriș.**
27. **Nu trageți mașina de tuns iarba în sens invers decât dacă este absolut necesar. Dacă trebuie să trageți mașina de tuns iarba în sens invers pentru a reveni de lângă un gard sau alt obstacol similar, priviți în jos și în spate înaintea și în timpul deplasării cu spatele.**
28. **Opriti motorul și așteptați până când pânza se oprește complet înainte de a scoate opritorul pentru iarba. Aveți grijă la pânze, care se rotesc liber după oprire.**
29. **Dacă folosiți mașina pe terenuri noroioase, pe pante umede sau în locuri alunecoase, fiți atenți la păstrarea echilibrului.**
30. **Nu scufundați mașina în bălți de apă.**
31. **Atunci când mașina este în funcțiune, fiți atenți la conducte și la cabluri.**

Întreținere și depozitare

1. **Pentru siguranță, înlocuiți componentele uzate sau deteriorate. Utilizați doar piese de schimb și accesorii originale.**
2. **Verificați și întrețineți periodic mașina de tuns iarba.**
3. **Dacă nu o utilizați, depozitați mașina de tuns iarba departe de raza de acțiune a copiilor.**
4. **Mentțineți piulițele, bolturile și șuruburile strânse pentru a vă asigura că echipamentul este în bună stare de funcționare.**

5. **Verificați frecvent coșul pentru iarba, pentru a detecta semne de uzură sau deteriorare. Pentru depozitare, asigurați-vă întotdeauna că ați golit coșul pentru iarba. Înlocuiți un coș pentru iarba uzat cu un nou coș de schimb din fabrică pentru siguranță.**
6. **Folosiți numai lamele originale ale producătorului specificate în acest manual.**
7. **Aveți grijă în timpul reglării mașinii pentru a preveni prinderea degetelor între lamele în mișcare și piesele fixe ale mașinii.**
8. **Verificați la intervale frecvente dacă bolțul de montare al lamei este strâns corespunzător.**
9. **Lăsați întotdeauna mașina să se răcească înainte de a o depozita.**
10. **Când efectuați operațiuni de service asupra lamelor, rețineți că, deși sursa de alimentare este oprită, lamele pot fi mișcate în continuare.**
11. **Nu scoateți sau modificați niciodată dispozitivele de siguranță. Verificați periodic funcționarea corespunzătoare a acestora. Nu efectuați niciodată activități care ar putea modifica funcționarea recomandată a unui dispozitiv de siguranță sau ar putea reduce protecția furnizată de un dispozitiv de siguranță.**
12. **Nu lăsați mașina nesupravegheată afară, în ploaie.**
13. **Atunci când depozitați mașina, evitați expunerea directă a acesteia la lumina soarelui și la ploaie, și amplasați-o într-un loc în care nu se încălzește și nici nu se umezește.**

Utilizarea și îngrijirea acumulatorului mașinii

1. **Efectuați reincărcarea numai cu încărcătorul specificat de producător. Un încărcător adecvat pentru un anumit tip de acumulator poate prezenta risc de incendiu dacă este utilizat cu alt tip de acumulator.**
2. **Folosiți mașinile electrice numai cu acumulatorii special destinați acestora. Utilizarea altor acumulatori poate prezenta risc de rănire și de incendiu.**
3. **Când nu folosiți cartușul de acumulatori, țineți-l la distanță de obiecte metalice precum agrafe de birou, monede, chei, cuie, șuruburi sau alte obiecte metalice mici, ce pot constitui o legătură între cele două borne. Scurtcircuitarea bornelor acumulatorului poate provoca arsuri sau incendii.**
4. **În condiții extreme, lichidul poate fi eliminat din acumulator; evitați contactul cu acesta. Dacă intrați în contact accidental, clătiți bine cu apă zona afectată. Dacă lichidul intră în contact cu ochii, consultați și un medic. Lichidul eliminat din acumulator poate provoca iritații sau arsuri.**
5. **Nu utilizați un acumulator sau o unealtă care este avariată sau modificată. Bateriile avariate sau modificate pot prezenta comportament imprevizibil ce poate cauza incendii, explozii sau risc de rănire.**
6. **Nu expuneți un acumulator sau o unealtă la foc sau la temperaturi excesive. Expunerea la foc sau la temperaturi mai mari de 130 °C poate cauza explozii.**

7. **Urmați toate instrucțiunile de încărcare și nu încărcați acumulatorul sau unealta la temperaturi din afara intervalului specificat în instrucțiuni.** Încărcarea incorectă sau la temperaturi din afara intervalului specificat poate cauza deteriorarea bateriei și creșterea riscului de incendiu.

Siguranța electrică și a acumulatorului

1. **Nu aruncați acumulatorul(ii) în foc.** Elementul poate exploda. Consultați codurile locale pentru posibile instrucțiuni speciale privind eliminarea.
2. **Nu deschideți și nu dezmembrați acumulatorul(ii).** Electrolițul eliberat este coroziv și poate cauza afecțiuni ale pielii și ochilor. Acesta poate fi toxic dacă este înghițit.
3. **Nu încărcați bateria în ploaie sau în zone cu umezeală.**
4. **Nu încărcați acumulatorul în exterior.**
5. **Nu manipulați încărcătorul, inclusiv fișa și bornele acestuia, cu mâinile ude.**
6. **Nu înlocuiți acumulatorul pe timp de ploaie.**
7. **Nu umeziți bornele acumulatorului cu lichid precum apă și nu scufundați acumulatorul în apă. Nu lăsați acumulatorul în ploaie și nu încărcați, nu utilizați sau nu depozitați acumulatorul într-un loc umed sau ud.** Dacă bornele se udă sau intră lichid în acumulator, acumulatorul poate fi scurtcircuitat și există riscul de supraîncălzire, ardere sau explozie.
8. **După ce scoateți acumulatorul din mașină sau din încărcător, asigurați-vă că atașați capacul acumulatorului la acumulator și că îl depozitați într-un loc uscat.**
9. **Nu înlocuiți acumulatorul cu mâinile umede.**
10. **Evitați mediile periculoase. Nu utilizați mașina în locuri cu umezeală și nu o expuneți la ploaie.** Dacă intră apă în mașină, crește riscul de electrocutare.
11. **În cazul în care cartușul acumulatorului se udă, scurgeți apa din interior și uscați-l cu o pânză uscată. Lăsați cartușul acumulatorului să se usuce complet într-un loc uscat, înainte de utilizare.**

Service

1. **Mașina electrică trebuie să fie reparată de un expert, folosind piese identice de schimb.** Astfel se mențin siguranța și fiabilitatea mașinii electrice.
2. **Nu reparați niciodată acumuloarele avariate.** Repararea acumuloarelor trebuie efectuată numai de către producător sau de furnizorii de service autorizați.

PĂSTRAȚI ACESTE INSTRUCȚIUNI.

⚠️ AVERTIZARE: NU permiteți comodității și familiarizării cu produsul (obținute prin utilizare repetată) să înlocuiască respectarea strictă a normelor de securitate pentru acest produs.

FOLOSIREA INCORECTĂ sau nerespectarea normelor de securitate din acest manual de instrucțiuni poate provoca vătămări corporale grave.

Instrucțiuni importante privind siguranța pentru cartușul acumulatorului

1. **Înainte de a folosi cartușul acumulatorului, citiți toate instrucțiunile și atenționările de pe (1) încărcătorul acumulatorului, (2) acumulator și (3) produsul care folosește acumulatorul.**
2. **Nu dezasamblați și nu interveniți asupra cartușului acumulatorului.** Acest lucru poate cauza incendii, căldură excesivă sau explozii.
3. **Dacă timpul de funcționare s-a redus excesiv, întrerupeți imediat funcționarea. Aceasta poate prezenta risc de supraîncălzire, posibile arsuri și chiar explozie.**
4. **Dacă electrolițul pătrunde în ochi, clătiți bine ochii cu apă curată și consultați imediat un medic. Există risc de orbire.**
5. **Nu scurtcircuitați cartușul acumulatorului:**
 - (1) **Nu atingeți bornele cu niciun material conductor.**
 - (2) **Evitați depozitarea cartușului acumulatorului la un loc cu alte obiecte metalice cum ar fi cuie, monede etc.**
 - (3) **Nu expuneți cartușul acumulatorului la apă sau ploaie.**

Un scurtcircuit al acumulatorului poate provoca un flux puternic de curent electric, supraîncălzire, posibile arsuri și chiar defectarea mașinii.
6. **Nu depozitați și nu utilizați mașina și cartușul acumulatorului în locuri în care temperatura poate atinge sau depăși 50 °C (122 °F).**
7. **Nu incinerati cartușul acumulatorului chiar dacă acesta este grav deteriorat sau complet uzat. Cartușul acumulatorului poate exploda în foc.**
8. **Nu introduceți cuie în cartușul acumulatorului, nu îl tăiați, striviți, aruncați sau scapați și nu îl loviți cu un obiect dur.** Astfel de acțiuni pot provoca incendii, căldură excesivă sau explozii.
9. **Nu utilizați un acumulator deteriorat.**
10. **Acumulatorii Li-Ion încorporați se supun cerințelor Legislației privind substanțele periculoase.**

Pentru transporturi comerciale, efectuate de exemplu de către părți terțe, expeditori, trebuie respectate cerințele speciale de ambalare și etichetare.

Pentru pregătirea articolului care urmează să fie expediat, este necesară consultarea unui expert în materiale periculoase. Vă rugăm să respectați, de asemenea, reglementările naționale, care pot fi mai detaliate.

Izolați sau acoperiți contactele deschise și împachetați acumulatorul în așa fel încât să nu se poată mișca în ambalaj.
11. **Atunci când eliminați la deșeurile cartușul acumulatorului, scoateți-l din mașină și eliminați-l într-un loc sigur. Respectați normele naționale privind eliminarea la deșeurile a acumulatorului.**

12. **Utilizați acumulatorii numai cu produsele specificate de Makita.** Instalarea acumulatorilor în produse neconforme poate cauza incendii, căldură excesivă, explozii sau scurgeri de electrolit.
13. **Dacă mașina nu este utilizată o perioadă lungă de timp, acumulatorul trebuie scos din acesta.**
14. **În timpul utilizării și după aceea, cartușul acumulatorului se poate încălzi, ceea ce poate cauza arsuri sau arsuri la temperaturi scăzute. Fiți atenți la manipularea cartușelor de acumulator atunci când sunt fierbinți.**
15. **Nu atingeți borna mașinii imediat după utilizare, întrucât se poate încălzi foarte tare și poate provoca arsuri.**
16. **Nu lăsați să pătrundă așchii, praf sau pământ în borne, în orificii și în canelurile cartușului acumulatorului.** Acest lucru poate provoca încălzirea, aprinderea, explozia și defectarea mașinii sau a cartușului acumulatorului, cauzând arsuri sau vătămări corporale.
17. **Nu utilizați cartușul acumulatorului în apropierea liniilor electrice de înaltă tensiune, cu excepția cazului în care mașina suportă utilizarea în apropierea liniilor electrice de înaltă tensiune.** Acest lucru poate duce la funcționarea necorespunzătoare sau la defectarea mașinii sau a cartușului acumulatorului.
18. **Țineți acumulatorul la distanță de copii.**

PĂSTRAȚI ACESTE INSTRUCȚIUNI.

⚠️ATENȚIE: Folosiți numai acumulatori Makita originali. Acumulatorii Makita care nu sunt originali și acumulatorii care au suferit modificări se pot aprinde, provocând incendii, leziuni corporale și daune. De asemenea, anulează garanția oferită de Makita pentru unealta și încărcătorul Makita.

Sfaturi pentru obținerea unei durate maxime de exploatare a acumulatorului

1. **Încărcați cartușul acumulatorului înainte de a se descărca complet.** Întrerupeți întotdeauna funcționarea mașinii și încărcați cartușul acumulatorului când observați o scădere a puterii mașinii.
2. **Nu reîncărcați niciodată un acumulator complet încărcat.** Suprîncărcarea va scurta durata de exploatare a acumulatorului.
3. **Încărcați cartușul acumulatorului la temperatura camerei, între 10 °C - 40 °C (50 °F - 104 °F).** Lăsați un acumulator fierbinte să se răcească înainte de a-l încărca.
4. **Atunci când nu utilizați cartușul acumulatorului, scoateți-l din mașină sau din încărcător.**
5. **Încărcați cartușul acumulatorului în cazul în care nu a fost utilizat pe o perioadă mai lungă (mai mult de șase luni).**

ASAMBLARE

⚠️AVERTIZARE: Asigurați-vă întotdeauna că ați scos cartușul acumulatorului înainte de a efectua orice acțiune asupra mașinii. Dacă nu scoateți cartușul acumulatorului, se pot produce vătămări corporale grave în urma pornirii accidentale.

⚠️AVERTIZARE: Nu porniți niciodată mașina dacă aceasta nu este complet asamblată. Utilizarea mașinii care este asamblată numai parțial poate provoca accidentări grave cauzate de pornirea accidentală.

Instalarea capacului acumulatorului

⚠️AVERTIZARE: Nu introduceți cartușul acumulatorului înainte de instalarea capacului acumulatorului. În caz contrar, există pericol de rănire gravă.

Montați complet capacul acumulatorului înainte de a folosi mașina. Capacul acumulatorului protejează mașina de tuns iarba și cartușul acumulatorului împotriva noroiului, murdăriei și apei.

1. Așezați capacul acumulatorului cu protuberanțele mașinii de tuns iarba aliniate cu orificiile capacului acumulatorului.

► Fig.1: 1. Proeminență 2. Orificiu 3. Capacul acumulatorului

2. Așezați-vă mâinile pe mijlocul capacului acumulatorului și apăsați-l.

► Fig.2

3. Asigurați-vă că ați atașat bine capacul acumulatorului și că l-ați fixat bine cu pârghia de blocare.

► Fig.3: 1. Pârghie de blocare

Montarea mânerului

⚠️ATENȚIE: Montați bine mânerul.

NOTĂ: Atunci când montați mânerul, poziționați cablul astfel încât acesta să nu se agațe în niciun obiect între mâner. Este posibil ca mașina să nu poartă dacă este deteriorat cablul.

1. Așezați ambele capete ale mânerului inferior în canelurile corpului mașinii de tuns iarba, apoi strângeți pârghiile de strângere, după care pliați pârghiile de strângere.

► Fig.4: 1. Pârghie de strângere 2. Mâner inferior

Când strângeți pârghiile de strângere, strângeți-le până când inelele de pe pârghii nu se mai pot vedea deloc.

► Fig.5: 1. Inel

NOTĂ: Asigurați-vă că nu există spațiu între mânerul inferior și corpul mașinii de tuns iarba după ce pârghiile de strângere sunt pliate.

► Fig.6

- Aliniați orificiul din mânerul superior cu orificiul din mânerul inferior, apoi introduceți șurubul dinspre exterior și strângeți piulița molețată dinspre interior. Efectuați aceeași procedură și pe partea cealaltă.

► **Fig.7:** 1. Piuliță molețată 2. Șurub

NOTĂ: Țineți cu fermitate mânerul superior astfel încât să nu vă scape din mână.

Scoaterea accesoriului de mulcire

- Deschideți capacul posterior.
► **Fig.8:** 1. Capac posterior
- Țineți accesoriul de mulcire de mâner, apoi trageți-l din corpul mașinii de tuns iarba, astfel cum se arată în imagine.
► **Fig.9:** 1. Mâner 2. Accesoriu de mulcire

Montarea sau demontarea coșului pentru iarbă

Pentru a monta coșul pentru iarbă, urmați pașii de mai jos.

- Deschideți capacul posterior.
► **Fig.10:** 1. Capac posterior
- Țineți mânerul coșului pentru iarbă și apoi conectați coșul la tija corpului mașinii de tuns iarba, așa cum se arată în figură.
► **Fig.11:** 1. Tijă 2. Mâner 3. Coș pentru iarbă

Pentru a îndepărta coșul pentru iarbă, deschideți capacul din spate, apoi scoateți coșul pentru iarbă ținând de mâner.

Montarea accesoriului de mulcire

- Deschideți capacul posterior, iar apoi demontați coșul pentru iarbă.
► **Fig.12:** 1. Capac posterior 2. Coș pentru iarbă
- Țineți accesoriul de mulcire de mâner, apoi montați-l pe corpul mașinii de tuns iarba, împingându-l până la capăt, astfel cum se arată în figură.
► **Fig.13:** 1. Mâner 2. Accesoriu de mulcire

DESCRIEREA FUNCȚIILOR

⚠ATENȚIE: Asigurați-vă întotdeauna că mașina este oprită și cartușul acumulatorului este scos, înainte de a regla sau a verifica funcționarea mașinii.

Instalarea sau scoaterea cartușului acumulatorului

⚠ATENȚIE: Întotdeauna opriți mașina înainte de montarea sau demontarea cartușului acumulatorului.

⚠ATENȚIE: Țineți ferm mașina și cartușul acumulatorului la instalarea sau scoaterea cartușului acumulatorului. În caz contrar, acestea vă pot aluneca din mâini, ceea ce poate conduce la defectarea mașinii și a cartușului acumulatorului, precum și la vătămări corporale.

⚠ATENȚIE: Asigurați-vă că blocați capacul acumulatorului înainte de utilizare. În caz contrar, noroiul, murdăria sau apa pot cauza defectarea produsului sau a cartușului de acumulator.

⚠ATENȚIE: Introduceți întotdeauna complet cartușul acumulatorului, până când indicatorul roșu nu mai este vizibil. În caz contrar, acesta poate cădea accidental din mașină, provocând rănirea dumneavoastră sau a persoanelor din jur.

⚠ATENȚIE: Nu forțați cartușul acumulatorului la montare. Dacă acesta nu glisează ușor, înseamnă că a fost introdus incorect.

⚠ATENȚIE: Țineți ferm capacul acumulatorului la instalarea sau la scoaterea cartușului acumulatorului.

Pentru montarea cartușului de acumulator:

- Trageți în sus de pârghia de blocare și apoi deschideți capacul acumulatorului.
► **Fig.14:** 1. Capacul acumulatorului 2. Pârghie de blocare
- Aliniați limba de pe cartușul acumulatorului cu orificiul mașinii de tuns iarba, apoi glisați cartușul până când se fixează în poziție cu un clic.
► **Fig.15:** 1. Cartușul acumulatorului

- Închideți ferm capacul acumulatorului.

Pentru demontarea cartușului de acumulator din mașina de tuns iarba:

- Trageți în sus de pârghia de blocare și deschideți capacul acumulatorului.
- Trageți cartușul acumulatorului din mașină în timp ce glisați butonul de pe partea frontală a cartușului.
- Închideți capacul de acumulator.

Sistem de protecție mașină/acumulator

Mașina este prevăzută cu un sistem de protecție a mașinii/acumulatorului. Acest sistem întrerupe automat alimentarea motorului pentru a extinde durata de funcționare a mașinii și a acumulatorului. Mașina se va opri automat în timpul funcționării dacă mașina sau acumulatorul se află într-una dintre situațiile de mai jos.

Protecție la suprasarcină

Atunci când mașina/acumulatorul este utilizat(ă) într-un mod care cauzează un consum de curent neobișnuit de ridicat, mașina se va opri automat și lampa indicatoare va emite o lumină roșie. În această situație, opriți mașina și întrerupeți aplicația care a dus la suprasolicitarea mașinii. Apoi, reporniți mașina.

Protecție la supraîncălzire

Atunci când mașina se supraîncălzește, aceasta se oprește automat și lampa indicatoare va emite o lumină roșie. Lăsați mașina să se răcească înainte de a o reporni.

Protecție la supradescărcare

Atunci când capacitatea acumulatorului devine insuficientă, mașina se oprește automat și lampa indicatoare va emite o lumină roșie. Dacă mașina nu funcționează deși comutatoarele sunt acționate, scoateți acumulatorul din mașină și încărcați-l.

Măsurile de protecție împotriva altor cauze

Sistemul de protecție este, de asemenea, conceput pentru alte cauze care ar putea deteriora mașina și îi permite acestuia să se oprească automat. Parcurgeți toți pașii următori pentru a elimina cauzele, atunci când mașina a fost oprită temporar sau a fost scoasă din funcțiune.

1. Opriți mașina, apoi porniți-o din nou pentru a relua.
2. Încărcați acumulatorul (acumulatorii) sau înlocuiți-l (înlocuiți-i) cu un acumulator (acumulatori) încărcat (încărcați).
3. Lăsați mașina și acumulatorul (acumulatorii) să se răcească.

Dacă nu se poate observa nicio îmbunătățire prin resetarea sistemului de protecție, contactați centrul local de service Makita.

NOTĂ: Dacă mașina se oprește dintr-o cauză diferită de cele prezentate mai sus, consultați secțiunea referitoare la depanare.

NOTĂ: Momentul în care lampa începe să lumineze depinde de temperatura din zona de lucru și de starea cartușului acumulatorului.

Indicarea capacității rămase a acumulatorului

► Fig.16: 1. Lampă indicatoare

Când capacitatea rămasă a acumulatorului se reduce, lampa indicatoare emite o lumină roșie intermitentă. Dacă continuați să o utilizați, mașina se oprește și indicatorul acumulatorului va emite o lumină roșie. În această situație, încărcați cartușul acumulatorului.

Indicarea capacității rămase a acumulatorului

Apăsăți butonul de verificare de pe cartușul acumulatorului, astfel încât să se indice capacitățile rămase ale acumulatorului. Lămpile indicatorului vor lumina timp de câteva secunde.

► Fig.17: 1. Lămpi indicatoare 2. Buton de verificare

Lămpi indicatoare			Capacitate rămasă
Iluminat	Oprit	Iluminare intermitentă	
■ ■ ■ ■			Între 75% și 100%
■ ■ ■ □			Între 50% și 75%
■ ■ □ □			Între 25% și 50%
■ □ □ □			Între 0% și 25%
▣ □ □ □			Încărcați acumulatorul.
■ ■ □ □		↑ ↓	Este posibil ca acumulatorul să fie defect.

NOTĂ: În funcție de condițiile de utilizare și temperatura ambientală, indicația poate fi ușor diferită de capacitatea reală.

NOTĂ: Prima lampă indicatoare (extremitatea stângă) va lumina intermitent când sistemul de protecție a acumulatorului funcționează.

Acționarea întrerupătorului

⚠️ AVERTIZARE: Înainte de a instala cartușul acumulatorului, verificați întotdeauna dacă pârghia de comutare funcționează corect și revine în poziția inițială după ce este eliberată. Utilizarea mașinii cu un comutator care nu funcționează corect poate duce la pierderea controlului și la accidente grave.

NOTĂ: Mașina de tuns iarba nu pornește fără a apăsa pe butonul de comutare chiar dacă levierul schimbătorului de viteză este tras.

NOTĂ: Este posibil ca mașina de tuns iarba să nu pornească din cauza supraîncărcării atunci când încercați să tundeți iarbă înaltă sau deasă dintr-o dată. În acest caz, măriți înălțimea de tundere.

Această mașină este echipată cu buton comutator. Dacă observați ceva neobișnuit la butonul comutator, opriți imediat funcționarea și solicitați verificarea acestuia de către cel mai apropiat Centru de service autorizat Makita.

1. Montați cartușul acumulatorului și apoi închideți ferm capacul acumulatorului.
2. Trageți pârghia de comutare înspre dumneavoastră ținând apăsat butonul comutator. Eliberați butonul comutator de îndată ce motorul începe să funcționeze.
► **Fig.18:** 1. Buton comutator 2. Levier de comutare
3. Eliberați pârghia de comutare pentru a opri motorul.

Reglarea înălțimii de tundere a ierbii

⚠️ AVERTIZARE: Nu țineți niciodată mâna sau piciorul sub mașină atunci când reglați înălțimea de tundere a ierbii.

⚠️ AVERTIZARE: Asigurați-vă întotdeauna că pârghia se potrivește corect în canelură înainte de funcționare.

Înălțimea de tundere a ierbii poate fi reglată în intervalul 20 mm și 75 mm.

Opriti mașina, apoi trageți maneta de reglare a înălțimii de tundere a ierbii în exteriorul corpului mașinii de tuns iarba, reglând-o la înălțimea dorită de tundere a ierbii.

- **Fig.19:** 1. Manetă de reglare a înălțimii de tundere a ierbii

Tabelul de mai jos prezintă relația dintre numărul de pe corpul mașinii de tuns iarba și înălțimea aproximativă de tăiere a ierbii.

Număr	Înălțimea de tăiere a ierbii
1	20 mm
2	29 mm
3	36 mm
4	44 mm
5	53 mm
6	61 mm
7	69 mm
8	75 mm

NOTĂ: Figurile care ilustrează înălțimea de tundere a ierbii se folosesc doar ca indicație orientativă. În funcție de iarbă sau de sol, înălțimea efectivă a ierbii poate fi ușor diferită de înălțimea setată.

NOTĂ: Încercați ca test să tundeți iarbă într-un loc mai puțin vizibil pentru a obține înălțimea dorită.

Indicator nivel iarbă

- **Fig.20:** 1. Indicator nivel iarbă

Indicatorul nivelului ierbii indică volumul ierbii tunse.

- Când coșul pentru iarbă nu este plin, indicatorul se mișcă în timpul operației de tundere a ierbii.
- Când coșul pentru iarbă este plin, indicatorul nu se mișcă în timpul operației de tundere a ierbii. În acest caz, opriți imediat tunderea ierbii și goliiți coșul. După golirea coșului, curățați-l astfel încât aerul să circule prin ochiurile acestuia.

NOTĂ: Acest indicator este un ghidaj aproximativ. În funcție de condițiile din interiorul coșului, este posibil ca acest indicator să nu funcționeze corect.

Reglarea înălțimii mânerului

⚠️ ATENȚIE: Înainte de a scoate șuruburile, strângeți ferm mânerul superior. În caz contrar, mânerul poate cădea, cauzând accidentări.

Înălțimea mânerului poate fi reglată la două niveluri.

1. Slăbiți piulițele moletate de pe mâner și apoi scoateți șuruburile și piulițele moletate.

- **Fig.21:** 1. Piuliță moletată

2. Reglați înălțimea mânerului.

3. Introduceți șuruburile dinspre exterior și apoi strângeți piulițele moletate dinspre interior.

Utilizarea accesoriului de mulcire

Accesoriul de mulcire vă permite să readuceți iarba tăiată pe sol fără a strânge iarba tăiată în coșul pentru iarbă. Atunci când utilizați mașina cu accesoriul de mulcire, aveți grijă să demontați coșul pentru iarbă.

NOTĂ: Atunci când utilizați mașina cu accesoriul de mulcire, asigurați-vă că lungimea totală a ierbii după tăiere este de cel puțin 30 mm, iar lungimea de tăiere este de cel mult 15 mm.

- **Fig.22:** (1) 30 mm (2) 15 mm

OPERAREA

Tunderea ierbii

⚠️ AVERTIZARE: Înainte de a tunde iarba, degajați zona de utilizare de bețe și pietre. De asemenea, îndepărtați în prealabil eventualele buruieni din zona de utilizare.

⚠️ AVERTIZARE: Purtați întotdeauna ochelari de protecție speciali sau ochelari de protecție cu apărători laterale atunci când operați mașina.

⚠️ ATENȚIE: Dacă iarba tăiată sau un obiect străin se blochează în interiorul mașinii de tuns iarba, asigurați-vă că scoateți cartușele acumulatorului și că purtați mănuși înainte de a îndepărta iarba sau obiectul străin.

NOTĂ: Folosiți această mașină numai pentru tunderea gazonului. Nu tundeți buruieni cu această mașină.

- **Fig.23**

Țineți ferm mânerul cu ambele mâini în timpul lucrului. Viteza de lucru orientativă este de circa 2 până la 4 secunde pe 1 metru.

- **Fig.24**

NOTĂ: Atunci când tăiați gazon înalt sau cu iarbă deasă, dacă lungimea gazonului nu este uniformă sau dacă se constată că finisarea este slabă după operația de tundere a ierbii sau dacă scade viteza motorului în timpul tunderii, micșorați viteza de tundere la o viteză mai mică decât cea recomandată în acest manual sau creșteți înălțimea de tundere a ierbii.

Liniiile centrale ale roților din față arată care este lățimea de tundere. Utilizând liniiile centrale ca reper, tundeți iarbă în benzi. Suprapuneți benzile cu o jumătate până la o treime din banda anterioară pentru a tunde uniform gazonul.

► **Fig.25:** 1. Lățime de tundere 2. Zonă de suprapunere 3. Linie centrală

Schimbați direcția de tundere de fiecare dată pentru a controla direcția de tundere și să nu se formeze într-o singură direcție.

► **Fig.26**

Verificați periodic cantitatea de iarbă din coș. Goliți coșul înainte de a se umple. Înaintea fiecărei verificări periodice, aveți grijă să opriți mașina și să deconectați alimentarea.

NOTĂ: Folosirea mașinii de tuns iarbă cu un coș pentru iarbă plin nu permite rotirea lină a pânzei și plasează o sarcină suplimentară asupra motorului, ceea ce poate cauza avariarea acestuia.

Tunderea unui gazon cu iarbă înaltă

Nu încercați să tăiați iarbă înaltă dintr-o singură încercare. În schimb, tundeți-o în mai multe etape. Lăsați o zi sau două între tunderi ca firele de iarbă să ajungă la aceeași înălțime.

NOTĂ: Tunderea ierbii înalte la o înălțime mică dintr-o singură încercare poate cauza ofilirea ierbii. De asemenea, iarbă tăiată se poate bloca în mașină.

Golirea coșului pentru iarbă

AVERTIZARE: Pentru a reduce riscul de accident, verificați regulat coșul pentru iarbă pentru a detecta eventuale defecțiuni sau rezistență slăbită. Înlocuiți coșul pentru iarbă dacă este necesar.

1. Eliberați pârghia de comutare.
2. Scoateți cartușul acumulatorului.
3. Deschideți capacul posterior și scoateți coșul pentru iarbă ținându-l de mâner.

► **Fig.27:** 1. Capac posterior 2. Mâner

4. Goliți coșul pentru iarbă.

ÎNȚREȚINERE

AVERTIZARE: Aveți întotdeauna grijă să scoateți cartușul acumulatorului din mașină înainte de depozitarea ori transportarea acesteia sau înainte de a încerca să efectuați o inspecție sau o activitate de întreținere.

AVERTIZARE: Purtați mănuși atunci când efectuați o inspecție sau activitate de întreținere.

AVERTIZARE: Purtați întotdeauna ochelari de protecție speciali sau ochelari de protecție cu apărători laterale atunci când efectuați o inspecție sau o activitate de întreținere.

NOTĂ: Nu utilizați niciodată gazolină, benzină, diluant, alcool sau alte substanțe asemănătoare. În caz contrar, pot rezulta decolorări, deformări sau fisuri.

Pentru a menține SIGURANȚA și FIABILITATEA produsului, reparațiile și orice alte lucrări de întreținere sau reglare trebuie executate de centre de service Makita autorizate sau proprii, folosind întotdeauna piese de schimb Makita.

Întreținere

1. Scoateți cartușul acumulatorului și apoi închideți capacul acumulatorului.
2. Așezați mașina de tuns iarbă pe o parte. Curățați bucățile de iarbă tăiată care s-au acumulat pe partea de dedesubt a punții mașinii.
3. Turnați apă înspre partea de jos a mașinii, de care este atașată pânza.

NOTĂ: Nu spălați mașina cu jet de apă cu presiune ridicată.

4. Verificați dacă toate piulițele, bolțurile, șuruburile etc. sunt bine strânse.
5. Inspectați piesele mobile pentru a detecta eventuale deteriorări, rupturi și semne de uzură. Piesele deteriorate sau lipsă trebuie să fie reparate sau înlocuite.
6. Depozitați mașina într-un loc sigur, departe de accesul copiilor.

Depozitare

ATENȚIE: Când puneți mașina în poziție verticală, așezați-o pe o suprafață plană stabilă. Dacă mașina este așezată pe o suprafață instabilă, aceasta poate cădea și poate provoca leziuni.

Depozitați mașina în interior, într-un loc uscat, răcoros și înțuiat. Nu depozitați mașina de tuns iarbă și încărcătorul în locuri în care temperatura poate atinge sau depăși 40 °C.

1. Scoateți cartușul acumulatorului.
2. Scoateți coșul pentru iarbă.
3. Desfaceți pârghiile de strângere, apoi pliați mânerul, după care pliați pârghiile de strângere.

► **Fig.28:** 1. Pârghie de strângere

4. Slăbiți piulițele moletate de pe mâner și apoi pliați mânerul superior.

► **Fig.29:** 1. Piuliță moletată 2. Mâner superior

5. Așezați mașina în poziție verticală.

NOTĂ: Când așezați mașina de tuns iarba în poziție verticală, nu țineți doar de mâner, ci de corpul mașinii de tuns iarba și de mâner.

6. Depozitați coșul pentru iarbă între mâner și corpul mașinii de tuns iarba.

► **Fig.30:** 1. Coș pentru iarbă

Transportarea mașinii de tuns iarba

ATENȚIE: Înainte de a transporta mașina de tuns iarba, asigurați-vă că este scos cartușul acumulatorului.

Când transportați mașina de tuns iarba, trebuie să țineți mânerul posterior și partea inferioară de susținere din fața mașinii, astfel cum se arată în figură.

► **Fig.31:** 1. Partea inferioară de susținere 2. Mâner posterior

Demontarea sau montarea pânzei

AVERTIZARE: Scoateți întotdeauna cartușul acumulatorului atunci când montați sau demontați pânza. Dacă nu scoateți cartușul acumulatorului, puteți suferi leziuni corporale grave.

AVERTIZARE: Lama își continuă mișcarea inerțială timp de câteva secunde după eliberarea comutatorului. Nu efectuați nicio operațiune până când lama nu se oprește complet.

AVERTIZARE: Purtați întotdeauna mănuși atunci când manipulați lama.

NOTĂ: Atunci când scoateți sau montați pânza mașinii de tuns iarba, utilizați cheia inelară inclusă în pachetul mașinii.

Scoaterea pânzei mașinii de tuns iarba

1. Așezați mașina de tuns iarba pe o parte, astfel încât maneta de reglare a înălțimii de tundere a ierbii să fie plasată pe partea de sus.

2. Pentru a bloca rotirea pânzei, introduceți un știft sau o unealtă precum șurubelnița într-un orificiu de pe corpul mașinii de tuns iarba.

3. Slăbiți bolțul în sens anti-orar cu o cheie.

► **Fig.32:** 1. Pânza mașinii de tuns iarba 2. Cheie 3. Șurubelniță 4. Orificiu

4. Scoateți pe rând șurubul și pânza.

► **Fig.33:** 1. Suportul pânzei 2. Pânza mașinii de tuns iarba 3. Șurub

Montarea pânzei mașinii de tuns iarba

Pentru a instala pânza, executați în ordine inversă operațiile de demontare.

AVERTIZARE: Montați pânza mașinii de tuns iarba cu grijă. Are o față și un dos.

AVERTIZARE: Strângeți cu putere bolțul în sens orar pentru a fixa lama.

AVERTIZARE: Verificați dacă pânza mașinii de tuns iarba și toate componentele de fixare sunt montate corect și strânse bine.

AVERTIZARE: Atunci când înlocuiți lamele, respectați instrucțiunile din acest manual.

NOTĂ: Atunci când strângeți șurubul pentru a monta pânza mașinii de tuns iarba, aplicați un cuplu de strângere de 19 - 29 N*m (valorile sunt doar pentru referință).

DEPANARE

Înainte de a solicita reparații, efectuați mai întâi propria inspecție. Dacă detectați o problemă care nu este explicată în manual, nu încercați să dezamblați mașina. În schimb, adresați-vă Centrelor de service autorizate Makita, utilizând întotdeauna piese de schimb Makita pentru reparații.

Stare de anormalitate	Cauză probabilă (defecțiune)	Remediu
Mașina de tuns iarba nu pornește.	Cartușul acumulatorului nu este montat.	Montați cartușul acumulatorului încărcat.
	Problemă cu bateria (tensiune scăzută)	Reîncărcați cartușul acumulatorului. Dacă reîncărcarea nu este eficientă, înlocuiți cartușul acumulatorului.
Motorul se oprește din funcționare după puțin timp.	Nivelul de încărcare al acumulatorului este redus.	Reîncărcați cartușul acumulatorului. Dacă reîncărcarea nu este eficientă, înlocuiți cartușul acumulatorului.
	Înălțimea de tăiere setată este prea joasă.	Creșteți înălțimea de tăiere.
Motorul nu atinge turația maximă.	Cartușul acumulatorului este instalat necorespunzător.	Montați cartușul de acumulator în modul descris în acest manual.
	Puterea acumulatorului se reduce.	Reîncărcați cartușul acumulatorului. Dacă reîncărcarea nu este eficientă, înlocuiți cartușul acumulatorului.
	Sistemul de acționare nu funcționează corect.	Solicitați centrului de service autorizat local efectuarea reparațiilor.
Pânza mașinii de tuns iarba nu se rotește: ⇒ opriți imediat mașina de tuns iarba!	Un obiect străin, precum o creangă, s-a înțepenit în apropiere de lamă.	Îndepărtați obiectul străin.
	Sistemul de acționare nu funcționează corect.	Solicitați centrului de service autorizat local efectuarea reparațiilor.
Vibrații anormale: ⇒ opriți imediat mașina de tuns iarba!	Lama este dezechilibrată sau uzată excesiv sau neuniform.	Înlocuiți lama.

ACCESORII OPȚIONALE

⚠ATENȚIE: Folosiți accesoriile sau piesele auxiliare recomandate pentru mașina dumneavoastră Makita în acest manual. Utilizarea altor accesorii sau piese auxiliare poate prezenta risc de accidentări. Utilizați accesoriile sau piesele auxiliare numai în scopul destinat.

Dacă aveți nevoie de asistență sau de mai multe detalii referitoare la aceste accesorii, adresați-vă centrului local de service Makita.

- Pânza mașinii de tuns iarba
- Acumulator și încărcător original Makita

NOTĂ: Unele articole din listă pot fi incluse ca accesorii standard în ambalajul produsului. Acestea pot diferi în funcție de țară.

TECHNISCHE DATEN

Modell:		LM003G	LM004G
Mähbreite (Messerdurchmesser)		380 mm	430 mm
Leerlaufdrehzahl		3.800 min ⁻¹	
Teilenummer des Ersatz-Mähermessers	Gerades Mähermesser	1913G8-3	1913H4-8
	Mulchmesser	1913H0-6	1913H6-4
Abmessungen (L x B x H)	während des Betriebs	L: 1.370 mm bis 1.420 mm B: 450 mm H: 990 mm bis 1.020 mm	L: 1.390 mm bis 1.440 mm B: 460 mm H: 990 mm bis 1.020 mm
	bei Lagerung (ohne Graskorb)	520 mm x 450 mm x 880 mm	520 mm x 460 mm x 885 mm
Nennspannung		36 V - 40 V Gleichstrom	
Nettogewicht		14,9 - 17,3 kg	15,6 - 18,2 kg
Schutzgrad		IPX4	

- Wir behalten uns vor, Änderungen der technischen Daten im Zuge der Entwicklung und des technischen Fortschritts ohne vorherige Ankündigung vorzunehmen.
- Die technischen Daten können von Land zu Land unterschiedlich sein.
- Das Gewicht kann abhängig von dem Aufsatz (den Aufsätzen), einschließlich des Akkus, unterschiedlich sein. Die leichteste und die schwerste Kombination, gemäß dem EPTA-Verfahren 01/2014, sind in der Tabelle angegeben.

Zutreffende Akkus und Ladegeräte

Akku	BL4020 / BL4025 / BL4040 / BL4040F / BL4050F / BL4080F
Ladegerät	DC40RA / DC40RB / DC40RC / DC40WA






- Einige der oben aufgelisteten Akkus und Ladegeräte sind je nach Ihrem Wohngebiet eventuell nicht erhältlich.

⚠️ WARNUNG: Verwenden Sie nur die oben aufgeführten Akkus und Ladegeräte. Bei Verwendung irgendwelcher anderer Akkus und Ladegeräte besteht Verletzungs- und/oder Brandgefahr.

⚠️ WARNUNG: Verwenden Sie keine verkabelte Stromversorgung, wie z. B. einen Akku-Adapter oder eine rückentragbare Akku-Bank, mit dieser Maschine. Anderenfalls kann das Kabel einer solchen Stromversorgung den Betrieb behindern und Personenschäden verursachen.

Symbole

Nachfolgend werden Symbole beschrieben, die für das Gerät verwendet werden können. Machen Sie sich unbedingt vor der Benutzung mit ihrer Bedeutung vertraut.

	Besondere Umsicht und Aufmerksamkeit erforderlich.
	Betriebsanleitung lesen.
	Gefahr durch herausgeschleuderte Objekte.
	Der Abstand zwischen der Maschine und Umstehenden sollte mindestens 15 m betragen.
	Halten Sie niemals Ihre Hände und Füße in die Nähe des Mähmessers unter dem Mäher. Die Mähmesser drehen sich nach dem Ausschalten des Motors noch weiter.



Warnung: Batterie vor Wartung abklemmen.



Nur für EU-Länder
Aufgrund des Vorhandenseins gefährlicher Komponenten in der Ausrüstung können Elektro- und Elektronik-Altgeräte, Akkumulatoren und Batterien sich negativ auf die Umwelt und die menschliche Gesundheit auswirken.
Entsorgen Sie Elektro- und Elektronikgeräte oder Batterien nicht mit dem Hausmüll!
In Übereinstimmung mit der Europäischen Richtlinie über Elektro- und Elektronik-Altgeräte, Akkumulatoren und Batterien, verbrauchte Akkumulatoren und Batterien sowie ihrer Anpassung an nationales Recht sollten Elektro-Altgeräte, Batterien und Akkumulatoren gemäß den Umweltschutzbestimmungen getrennt gelagert und zu einer getrennten Sammelstelle für Siedlungsabfälle geliefert werden.
Dies wird durch das am Gerät angebrachte Symbol der durchgestrichenen Abfalltonne auf Rädern angezeigt.



Garantierter Schallleistungspegel gemäß der EU-Richtlinie über Außenlärm.



Schallleistungspegel gemäß der australischen NSW-Lärmschutzverordnung

Vorgesehene Verwendung

Die Maschine ist für Rasenmähen vorgesehen.

Geräusch

Typischer A-bewerteter Geräuschpegel ermittelt gemäß EN62841-4-3:

Modell LM003G

Gemessener Schallleistungspegel (L_{WA}): 90 dB (A)
 Garantierter Schallleistungspegel (L_{WA}): 93 dB (A)
 Schalldruckpegel (L_{pA}): 83 dB (A)
 Messunsicherheit für den Schalldruckpegel (K): 3 dB (A)

Modell LM004G

Gemessener Schallleistungspegel (L_{WA}): 90 dB (A)
 Garantierter Schallleistungspegel (L_{WA}): 93 dB (A)
 Schalldruckpegel (L_{pA}): 81 dB (A)
 Messunsicherheit für den Schalldruckpegel (K): 3 dB (A)

HINWEIS: Der (Die) angegebene(n) Schallemissionswert(e) wurde(n) im Einklang mit der Standardprüfmethode gemessen und kann (können) für den Vergleich zwischen Werkzeugen herangezogen werden.

HINWEIS: Der (Die) angegebene(n) Schallemissionswert(e) kann (können) auch für eine Vorbewertung des Gefährdungsgrads verwendet werden.

⚠️ WARNUNG: Einen Gehörschutz tragen.

⚠️ WARNUNG: Die Schallemission während der tatsächlichen Benutzung des Elektrowerkzeugs kann je nach der Benutzungsweise des Werkzeugs, und speziell je nach der Art des bearbeiteten Werkstücks, von dem (den) angegebenen Wert(en) abweichen.

⚠️ WARNUNG: Identifizieren Sie Sicherheitsmaßnahmen zum Schutz des Benutzers anhand einer Schätzung des Gefährdungsgrads unter den tatsächlichen Benutzungsbedingungen (unter Berücksichtigung aller Phasen des Arbeitszyklus, wie z. B. Ausschalt- und Leerlaufzeiten des Werkzeugs zusätzlich zur Betriebszeit).

Schwingungen

Schwingungsgesamtwert (Drei-Achsen-Vektorsumme) ermittelt gemäß EN62841-4-3:

Modell LM003G

Schwingungsemission (a_h): 2,5 m/s² oder weniger
 Messunsicherheit (K): 1,5 m/s²

Modell LM004G

Schwingungsemission (a_h): 2,5 m/s² oder weniger
 Messunsicherheit (K): 1,5 m/s²

HINWEIS: Der (Die) angegebene(n) Vibrationsgesamtwert(e) wurde(n) im Einklang mit der Standardprüfmethode gemessen und kann (können) für den Vergleich zwischen Werkzeugen herangezogen werden.

HINWEIS: Der (Die) angegebene(n) Vibrationsgesamtwert(e) kann (können) auch für eine Vorbewertung des Gefährdungsgrads verwendet werden.

⚠️ WARNUNG: Die Vibrationsemission während der tatsächlichen Benutzung des Elektrowerkzeugs kann je nach der Benutzungsweise des Werkzeugs, und speziell je nach der Art des bearbeiteten Werkstücks, von dem (den) angegebenen Emissionswert(en) abweichen.

⚠️ WARNUNG: Identifizieren Sie Sicherheitsmaßnahmen zum Schutz des Benutzers anhand einer Schätzung des Gefährdungsgrads unter den tatsächlichen Benutzungsbedingungen (unter Berücksichtigung aller Phasen des Arbeitszyklus, wie z. B. Ausschalt- und Leerlaufzeiten des Werkzeugs zusätzlich zur Betriebszeit).

Konformitätserklärungen

Nur für europäische Länder

Die Konformitätserklärungen sind in Anhang A dieser Betriebsanleitung enthalten.

SICHERHEITSWARNUNGEN

Allgemeine Sicherheitswarnungen für Elektrowerkzeuge

⚠️ WARNUNG Lesen Sie alle Sicherheitshinweise, Anweisungen, Abbildungen und Spezifikationen, die diesem Elektrowerkzeug beiliegen. Eine Missachtung der unten aufgeführten Anweisungen kann zu einem elektrischen Schlag, Brand und/oder schweren Verletzungen führen.

Bewahren Sie alle Warnungen und Anweisungen für spätere Bezugnahme auf.

Der Ausdruck „Elektrowerkzeug“ in den Warnhinweisen bezieht sich auf Ihr mit Netzstrom (mit Kabel) oder Akku (ohne Kabel) betriebenes Elektrowerkzeug.

Sicherheitswarnungen für Akku-Rasenmäher

- 1. Vermeiden Sie die Benutzung des Rasenmähers bei schlechten Witterungsverhältnissen, besonders bei Blitzschlaggefahr.** Dadurch wird die Gefahr, von einem Blitz getroffen zu werden, verringert.
- 2. Untersuchen Sie den Bereich, in dem der Rasenmäher verwendet werden soll, gründlich auf Wildtiere.** Wildtiere können durch den Rasenmäher während des Betriebs verletzt werden.
- 3. Inspizieren Sie den Bereich, in dem der Rasenmäher verwendet werden soll, gründlich, und entfernen Sie alle Steine, Stöcke, Drähte, Knochen und andere Fremdkörper.** Herausgeschleuderte Objekte können Personenschäden verursachen.
- 4. Führen Sie vor der Verwendung des Rasenmähers immer eine visuelle Inspektion durch, um sicherzustellen, dass das Messer und die Messerbaugruppe nicht abgenutzt oder beschädigt sind.** Verschlissene oder beschädigte Teile erhöhen die Verletzungsgefahr.
- 5. Überprüfen Sie den Grasfänger häufig auf Verschleiß oder Verschlechterung.** Ein verschlissener oder beschädigter Grasfänger kann das Risiko von Personenschäden erhöhen.
- 6. Halten Sie die Schutzvorrichtungen in Position. Schutzvorrichtungen müssen betriebsfähig und ordnungsgemäß montiert sein.** Eine lose, beschädigte oder nicht korrekt funktionierende Schutzvorrichtung kann zu Personenschäden führen.
- 7. Halten Sie alle Kühllufteinlässe frei von Unrat.** Verstopfte Luftpfeileinlässe und Ablagerungen können zu Überhitzung oder Brandgefahr führen.
- 8. Tragen Sie während des Betriebs des Rasenmähers immer rutschfestes und schützen- des Schuhwerk. Betreiben Sie den Rasenmäher nicht barfuß oder mit offenen Sandalen.** Dadurch wird die Verletzungsgefahr für die Füße durch Kontakt mit dem rotierenden Messer verringert.
- 9. Tragen Sie während des Betriebs des Rasenmähers immer eine lange Hose.** Ungeschützte Haut erhöht die Wahrscheinlichkeit von Verletzungen durch weggeschleuderte Gegenstände.
- 10. Betreiben Sie den Rasenmäher nicht in nassem Gras. Stets gehen, niemals laufen.** Dadurch wird die Gefahr des Rutschens und Stürzens, bei dem es zu Personenschäden kommen kann, verringert.
- 11. Betreiben Sie den Rasenmäher nicht auf übermäßig steilen Hängen.** Dies reduziert die Gefahr des Verlusts der Kontrolle, des Rutschens und Stürzens, was zu Personenschäden führen kann.
- 12. Achten Sie beim Arbeiten auf Hängen stets auf Ihren Halt, arbeiten Sie stets quer zur Hangfläche, niemals auf- oder abwärts, und lassen Sie bei Richtungswechseln äußerste Vorsicht walten.** Dies reduziert die Gefahr des Verlusts der Kontrolle, des Rutschens und Stürzens, was zu Personenschäden führen kann.

- 13. Lassen Sie äußerste Vorsicht walten, wenn Sie den Rasenmäher rückwärts betreiben oder auf sich zu ziehen. Achten Sie immer auf Ihre Umgebung.** Dadurch wird die Stolpergefahr während des Betriebs verringert.
- 14. Berühren Sie die Messer und andere gefährliche bewegliche Teile nicht, während sie noch in Bewegung sind.** Dadurch wird die Verletzungsgefahr durch bewegte Teile verringert.
- 15. Stellen Sie beim Beseitigen von eingeklemmtem Material oder beim Reinigen des Rasenmähers sicher, dass alle Betriebsschalter ausgeschaltet sind und der Akku abgeklemmt ist.** Unwarteter Betrieb des Rasenmähers kann zu schweren Personenschäden führen.

DIESE ANWEISUNGEN AUFBEWAHREN.

⚠️ WARNUNG: Lassen Sie sich NICHT durch Bequemlichkeit oder Vertrautheit mit dem Produkt (durch wiederholten Gebrauch erworben) von der strikten Einhaltung der Sicherheitsregeln für das vorliegende Produkt abhalten.

MISSBRAUCH oder Missachtung der Sicherheitsvorschriften in dieser Anleitung können schwere Verletzungen verursachen.

WICHTIGE SICHERHEITSVORSCHRIFTEN

⚠️ WARNUNG: Lesen Sie alle Sicherheitswarnungen und Anweisungen durch. Eine Missachtung der unten aufgeführten Warnungen und Anweisungen kann zu einem elektrischen Schlag, Brand und/oder schweren Verletzungen führen.

Bewahren Sie alle Warnungen und Anweisungen für spätere Bezugnahme auf.

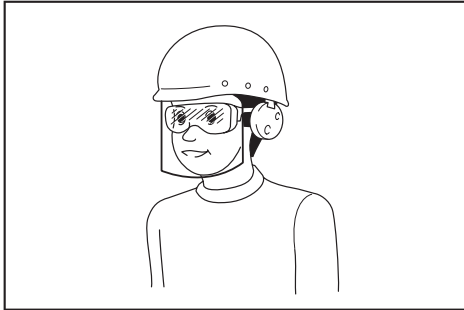
Einarbeitung

- 1. Lesen Sie die Anweisungen sorgfältig durch. Machen Sie sich mit der Bedienung und dem korrekten Gebrauch des Mähers vertraut.**
- 2. Kinder oder Personen, die nicht mit dieser Anleitung vertraut sind, dürfen den Mäher keinesfalls benutzen. Örtliche Vorschriften können das Alter der Bedienungsperson einschränken.**
- 3. Betreiben Sie den Mäher keinesfalls, während sich Personen, besonders Kinder, oder Haustiere in der Nähe aufhalten.**
- 4. Der Bediener oder Benutzer ist verantwortlich für Verletzungen oder Sachschäden, die an Personen oder ihrem Eigentum entstehen.**
- 5. Kinder sollten beaufsichtigt werden, um sicherzugehen, dass sie nicht mit dem Mäher spielen.**

6. Körperliche Verfassung - Betreiben Sie den Mäher nicht unter dem Einfluss von Drogen, Alkohol oder Medikamenten.

Vorbereitung

1. Tragen Sie während der Benutzung des Mähers stets kräftiges Schuhwerk und eine lange Hose. Betreiben Sie den Mäher nicht barfuß oder mit offenen Sandalen. Vermeiden Sie das Tragen von Kleidungsstücken oder Schmucksachen, die lose sitzen oder herunterhängende Schnüre oder Bänder haben. Diese können von beweglichen Teilen erfasst werden.
2. Unterziehen Sie den Mäher vor Gebrauch immer einer Sichtprüfung auf beschädigte, fehlende oder deplatzierte Schutzhauben oder Abschirmungen.
3. Vergewissern Sie sich, dass sich keine anderen Personen im Arbeitsbereich aufhalten, bevor Sie mit dem Mähen beginnen. Stellen Sie den Mäher ab, falls jemand den Arbeitsbereich betritt.
4. Tragen Sie stets eine Schutzbrille, um Ihre Augen bei Verwendung von Elektrowerkzeugen vor Verletzung zu schützen. Die Brille muss der Vorschrift ANSI Z87.1 in den USA, EN 166 in Europa oder AS/NZS 1336 in Australien/Neuseeland entsprechen. In Australien/Neuseeland ist das Tragen eines Gesichtsschutzes gesetzlich vorgeschrieben, um auch Ihr Gesicht zu schützen.



Der Arbeitgeber ist dafür verantwortlich, den Gebrauch von angemessener Schutzausrüstung für die Werkzeugbenutzer und andere Personen im unmittelbaren Arbeitsbereich durchzusetzen.

5. Überprüfen Sie die Messer oder die Messerschrauben vor dem Betrieb sorgfältig auf Risse oder Beschädigung. Wechseln Sie gerissene oder beschädigte Messer oder Messerschrauben unverzüglich aus.
6. Entfernen Sie vor dem Mähen Fremdkörper, wie Steine, Draht, Flaschen, Knochen und große Äste, vom Arbeitsbereich, um Personenschäden und Beschädigung des Mähers zu verhüten.
7. Vom Mähermesser herausgeschleuderte Gegenstände können schwere Personenverletzungen verursachen. Der Rasen ist vor jedem Mähen sorgfältig zu überprüfen und von allen Objekten zu räumen.

8. Achten Sie auf Löcher, Furchen, Bodenwellen, Steine oder sonstige verborgene Objekte. Unebenes Gelände könnte einen Unfall durch Ausrutschen und Hinfallen verursachen. Hohes Gras kann Hindernisse verbergen.
9. Benutzen Sie persönliche Schutzausrüstung. Tragen Sie stets einen Augenschutz. Sachgemäßer Gebrauch von Schutzausrüstung (z. B. Staubmaske, rutschfeste Sicherheitsschuhe, Helm und Gehörschutz) trägt zu einer Reduzierung der Verletzungsgefahr bei.

Betrieb

1. Übernehmen Sie sich nicht. Achten Sie stets auf gute Balance. Achten Sie an Hängen immer auf einen sicheren Stand. Stets gehen, niemals laufen.
2. Halten Sie den Mäher an, schalten Sie die Maschine aus, und vergewissern Sie sich, dass alle beweglichen Teile zu einem vollständigen Stillstand gekommen sind:
 - wann immer Sie den Mäher verlassen,
 - bevor Sie Blockierungen beseitigen oder den Auswurf frei machen,
 - bevor Sie den Mäher überprüfen, reinigen oder daran arbeiten,
 - nach dem Auftreffen auf einen Fremdkörper.
 Überprüfen Sie den Mäher auf Beschädigung, und führen Sie Reparaturen durch, bevor Sie den Mäher wieder starten und in Betrieb nehmen,
 - wann immer der Mäher ungewöhnlich zu vibrieren beginnt.
3. Betreiben Sie den Mäher niemals mit defekten Schutzklappen oder Abschirmungen oder ohne Sicherheitsvorrichtungen, wie z. B. Abweiser und/oder Graskorb.
4. Vermeiden Sie die Benutzung des Mähers bei schlechten Witterungsverhältnissen, besonders bei Blitzschlaggefahr.
5. Tragen Sie während der Benutzung des Mähers stets einen Augenschutz und robuste Schuhe.
6. Betreiben Sie den Mäher nur bei Tageslicht oder hellem Kunstlicht.
7. Schalten Sie den Mäher gemäß den Anweisungen vorsichtig ein, während Ihre Füße einen ausreichenden Sicherheitsabstand von dem (den) Messer(n) haben.
8. Hüten Sie sich vor Fuß- und Handverletzungen durch die Mähermesser.
9. Achten Sie stets darauf, dass die Belüftungsöffnungen frei von Unrat sind.
10. Mähen Sie Hänge nur seitwärts, niemals auf und ab. Gehen Sie bei Richtungsänderungen auf Hängen äußerst vorsichtig vor. Mähen Sie keine sehr steilen Hänge.
11. Lassen Sie äußerste Vorsicht walten, wenn Sie den Mäher rückwärts betreiben oder auf sich zu ziehen.
12. Halten Sie das (die) Messer an, wenn der Mäher zum Transportieren gekippt werden muss, wenn andere Flächen als Rasen überquert werden müssen, und wenn der Mäher zu und vom Arbeitsbereich transportiert werden muss.

13. **Neigen Sie den Mäher nicht, wenn Sie den Motor einschalten, außer wenn der Mäher zum Starten geneigt werden muss. Neigen Sie den Mäher in diesem Fall nicht mehr als absolut notwendig, und heben Sie nur den vom Bediener abgewandten Teil an. Achten Sie stets darauf, dass sich beide Hände an der Arbeitsposition befinden, bevor Sie den Mäher wieder auf den Boden stellen.**
 14. **Halten Sie Ihre Hände oder Füße nicht in die Nähe von rotierenden Teilen oder darunter. Bleiben Sie stets von der Auswurföffnung fern.**
 15. **Transportieren Sie den Mäher nicht in eingeschaltetem Zustand.**
 16. **Vermeiden Sie die Benutzung des Mähers in nassem Gras.**
 17. **Halten Sie den Bügelgriff stets mit festem Griff.**
 18. **Fassen Sie nicht die freiliegenden Schneidmesser oder die Schneidkanten an, wenn Sie den Mäher anheben oder halten.**
 19. **Halten Sie Hände und Füße von den rotierenden Messern fern. Vorsicht - Die Messer drehen sich nach dem Ausschalten des Mähers noch weiter.**
 20. **Brechen Sie den Betrieb sofort ab, wenn Sie irgendetwas Ungewöhnliches bemerken. Schalten Sie den Mäher aus. Überprüfen Sie dann den Mäher.**
 21. **Versuchen Sie niemals, Einstellungen der Schnitthöhe bei laufendem Mäher durchzuführen, wenn der Mäher eine Funktion zum Einstellen der Schnitthöhe besitzt.**
 22. **Lassen Sie den Schalthebel los, und warten Sie, bis das Messer zum Stillstand gekommen ist, bevor Sie Einfahrten, Gehwege, Straßen und schotterbedeckte Flächen überqueren. Schalten Sie die Maschine auch aus, wenn Sie den Mäher verlassen, wenn Sie sich bücken, um etwas aufzuheben oder aus dem Weg zu räumen, oder in irgendeiner anderen Situation, bei der Sie von Ihrer Arbeit abgelenkt werden könnten.**
 23. **Falls der Rasenmäher auf einen Fremdkörper stößt, gehen Sie folgendermaßen vor:**
 - Stellen Sie den Mäher ab, lassen Sie den Schalthebel los, und warten Sie, bis das Messer zum vollständigen Stillstand kommt.
 - Nehmen Sie den Akku ab.
 - Überprüfen Sie den Mäher gründlich auf etwaige Beschädigung.
 - Tauschen Sie das Messer aus, falls es in irgendeiner Weise beschädigt ist. Reparieren Sie etwaige Schäden, bevor Sie den Mäher wieder in Betrieb nehmen und weiter benutzen.
 24. **Starten Sie den Mäher nicht, wenn Sie vor der Auswurföffnung stehen.**
 25. **Falls der Mäher beginnt, ungewöhnlich heftig zu vibrieren (sofort überprüfen),**
 - auf Beschädigung überprüfen,
 - beschädigte Teile austauschen oder reparieren,
 - prüfen, ob lose Teile vorhanden sind, und diese festziehen.
 26. **Richten Sie den Materialauswurf niemals auf Personen. Vermeiden Sie Auswerfen von Material gegen eine Wand oder eine Behinderung. Das Material könnte auf den Bediener zurückprallen. Halten Sie das Messer an, wenn Sie Schotterflächen überqueren.**
 27. **Ziehen Sie den Mäher nicht rückwärts, wenn dies nicht unbedingt notwendig ist. Wenn Sie gezwungen sind, den Mäher von einem Zaun oder einer ähnlichen Behinderung zurückzuziehen, schauen Sie nach unten und hinten, bevor und während Sie sich rückwärts bewegen.**
 28. **Stellen Sie den Motor ab, und warten Sie, bis das Messer zu einem vollständigen Stillstand kommt, bevor Sie den Grasfänger entfernen. Beachten Sie, dass die Messer nach dem Ausschalten nachlaufen.**
 29. **Wenn Sie die Maschine auf schlammigem Boden, auf einem nassen Hang oder an einem schlüpfrigen Ort benutzen, achten Sie auf Ihren Stand.**
 30. **Tauchen Sie die Maschine nicht in einen Tümpel ein.**
 31. **Achten Sie beim Betreiben der Maschine auf Rohrleitungen und Kabel.**
- Wartung und Lagerung**
1. **Tauschen Sie verschlissene oder beschädigte Teile zur Sicherheit aus. Verwenden Sie nur Original-Ersatzteile und -Zubehör.**
 2. **Überprüfen und warten Sie den Mäher regelmäßig.**
 3. **Bewahren Sie den Mäher bei Nichtgebrauch außer Reichweite von Kindern auf.**
 4. **Achten Sie auf festen Sitz aller Muttern, Bolzen und Schrauben, um sicherzugehen, dass sich das Gerät in einwandfreiem Arbeitszustand befindet.**
 5. **Überprüfen Sie den Graskorb oft auf Verschleiß oder Verschlechterung. Vergewissern Sie sich vor der Lagerung stets, dass der Graskorb leer ist. Tauschen Sie einen verschlissenen Graskorb zur Sicherheit gegen ein neues Original-Ersatzteil aus.**
 6. **Verwenden Sie nur die in dieser Anleitung angegebenen Originalmesser des Herstellers.**
 7. **Lassen Sie während der Einstellung des Mähers Vorsicht walten, um Einklemmen der Finger zwischen den beweglichen Messern und den feststehenden Teilen des Mähers zu verhüten.**
 8. **Überprüfen Sie die Messerbefestigungsschraube in regelmäßigen Abständen auf festen Sitz.**
 9. **Lassen Sie den Mäher vor der Lagerung stets abkühlen.**
 10. **Wenn Sie die Messer warten, bedenken Sie, dass sich die Messer immer noch bewegen können, selbst wenn die Stromquelle abgeschaltet ist.**

11. **Versuchen Sie niemals, Sicherheitsvorrichtungen zu entfernen oder zu manipulieren. Überprüfen Sie regelmäßig ihre ordnungsgemäße Funktion. Unterlassen Sie jegliche Beeinträchtigung der beabsichtigten Funktion einer Sicherheitsvorrichtung oder eine Verringerung des von einer Sicherheitsvorrichtung bereitgestellten Schutzes.**
12. **Lassen Sie die Maschine nicht unbeaufsichtigt im Freien bei Regen stehen.**
13. **Lagern Sie die Maschine nicht an einem Ort, der direktem Sonnenlicht und Regen ausgesetzt ist, sondern an einem Ort, an dem es nicht heiß oder feucht wird.**

Gebrauch und Pflege von Akkuwerkzeugen

1. **Laden Sie den Akku nur mit dem vom Hersteller vorgeschriebenen Ladegerät. Ein Ladegerät, das für einen Akkutyp geeignet ist, kann bei Verwendung mit einem anderen Akku eine Brandgefahr darstellen.**
 2. **Benutzen Sie Elektrowerkzeuge nur mit den ausdrücklich vorgeschriebenen Akkus. Bei Verwendung irgendwelcher anderer Akkus besteht Verletzungs- und Brandgefahr.**
 3. **Bewahren Sie den Akku bei Nichtgebrauch nicht zusammen mit Metallgegenständen, wie Büroklammern, Münzen, Schlüsseln, Nägeln, Schrauben, und anderen kleinen Metallteilen auf, welche die Kontakte kurzschließen können. Kurzschließen der Akkukontakte kann Verbrennungen oder einen Brand verursachen.**
 4. **Bei Missbrauch kann Flüssigkeit aus dem Akku austreten. Vermeiden Sie Kontakt mit dieser Flüssigkeit. Falls Sie versehentlich mit der Flüssigkeit in Berührung kommen, spülen Sie die betroffenen Stellen mit Wasser ab. Falls die Flüssigkeit in die Augen gelangt, suchen Sie zusätzlich ärztliche Hilfe auf. Die vom Akku austretende Flüssigkeit kann Hautreizungen oder Verätzungen verursachen.**
 5. **Verwenden Sie keinen Akku und auch kein Werkzeug, der (das) beschädigt oder modifiziert ist. Beschädigte oder modifizierte Akkus können unvorhersehbares Verhalten zeigen, das zu einem Brand, einer Explosion oder Verletzungsgefahr führen kann.**
 6. **Setzen Sie einen Akku oder ein Werkzeug nicht Feuer oder übermäßigen Temperaturen aus. Bei Einwirkung von Feuer oder Temperaturen über 130 °C kann es zu einer Explosion kommen.**
 7. **Befolgen Sie alle Ladeanweisungen, und laden Sie den Akku bzw. das Werkzeug nicht außerhalb des in den Anweisungen angegebenen Temperaturbereichs. Wird der Ladevorgang unsachgemäß oder bei Temperaturen außerhalb des angegebenen Bereichs durchgeführt, kann es zu einer Beschädigung des Akkus und erhöhter Brandgefahr kommen.**
2. **Versuchen Sie nicht, den (die) Akku(s) zu öffnen oder zu verstümmeln. Freigesetzter Elektrolyt ist korrosiv und kann Schäden an Augen oder Haut verursachen. Falls er verschluckt wird, kann er giftig sein.**
 3. **Laden Sie den Akku nicht im Regen oder an nassen Orten.**
 4. **Laden Sie den Akku nicht im Freien.**
 5. **Fassen Sie das Ladegerät, einschließlich des Ladegerätesteckers und der Ladegeräteanschlüsse, nicht mit nassen Händen an.**
 6. **Tauschen Sie den Akku nicht im Regen aus.**
 7. **Vermeiden Sie Benetzen der Akkukontakte mit einer Flüssigkeit, wie z. B. Wasser, oder Untertauchen des Akkus. Lassen Sie den Akku nicht im Regen stehen, und unterlassen Sie Laden, Benutzen oder Lagern des Akkus an einem feuchten oder nassen Ort. Falls die Kontakte nass werden, oder eine Flüssigkeit in den Akku eindringt, kann der Akku kurzgeschlossen werden, und es besteht Überheizungs-, Brand- oder Explosionsgefahr.**
 8. **Nachdem Sie den Akku von der Maschine oder vom Ladegerät entfernt haben, bringen Sie unbedingt die Akkuabdeckung am Akku an, und lagern Sie ihn an einem trockenen Ort.**
 9. **Tauschen Sie den Akku nicht mit nassen Händen aus.**
 10. **Vermeiden Sie gefährliche Umgebungen. Benutzen Sie die Maschine nicht an feuchten oder nassen Orten, und setzen Sie sie auch keinem Regen aus. Wasser, das in die Maschine eindringt, erhöht die Stromschlaggefahr.**
 11. **Falls der Akku nass wird, lassen Sie das eingedrungene Wasser ab, und wischen Sie ihn dann mit einem trockenen Tuch ab. Lassen Sie den Akku an einem trockenen Ort vollkommen trocken, bevor Sie ihn benutzen.**

Wartung

1. **Lassen Sie Ihr Elektrowerkzeug nur unter Verwendung identischer Ersatzteile von einem qualifizierten Wartungstechniker warten. Dadurch wird die Aufrechterhaltung der Sicherheit des Elektrowerkzeugs gewährleistet.**
2. **Beschädigte Akkus dürfen auf keinen Fall gewartet werden. Die Wartung von Akkus darf nur vom Hersteller oder von einer Vertragswerkstatt durchgeführt werden.**

DIESE ANWEISUNGEN AUFBEWAHREN.

⚠️ WARNUNG: Lassen Sie sich NICHT durch Bequemlichkeit oder Vertrautheit mit dem Produkt (durch wiederholten Gebrauch erworben) von der strikten Einhaltung der Sicherheitsregeln für das vorliegende Produkt abhalten.

MISSBRAUCH oder Missachtung der Sicherheitsvorschriften in dieser Anleitung können schwere Verletzungen verursachen.

Sicherheit der Elektrik und des Akkus

1. **Werfen Sie den (die) Akku(s) nicht ins Feuer. Die Zelle könnte explodieren. Prüfen Sie die örtlichen Vorschriften für mögliche spezielle Entsorgungsanweisungen.**

Wichtige Sicherheitsanweisungen für Akku

1. **Lesen Sie vor der Benutzung des Akkus alle Anweisungen und Warnhinweise, die an (1) Ladegerät, (2) Akku und (3) Akkuwerkzeug angebracht sind.**
2. **Unterlassen Sie Zerlegen oder Manipulieren des Akkus.** Es kann sonst zu einem Brand, übermäßiger Hitzeentwicklung oder einer Explosion kommen.
3. **Falls die Betriebszeit beträchtlich kürzer geworden ist, stellen Sie den Betrieb sofort ein.** Andernfalls besteht die Gefahr von Überhitzung, möglichen Verbrennungen und sogar einer Explosion.
4. **Falls Elektrolyt in Ihre Augen gelangt, waschen Sie sie mit sauberem Wasser aus, und begeben Sie sich unverzüglich in ärztliche Behandlung.** Andernfalls können Sie Ihre Sehkraft verlieren.
5. **Der Akku darf nicht kurzgeschlossen werden:**
 - (1) **Die Kontakte dürfen nicht mit leitfähigem Material berührt werden.**
 - (2) **Lagern Sie den Akku nicht in einem Behälter zusammen mit anderen Metallgegenständen, wie z. B. Nägel, Münzen usw.**
 - (3) **Setzen Sie den Akku weder Wasser noch Regen aus.**

Ein Kurzschluss des Akkus verursacht starken Stromfluss, der Überhitzung, mögliche Verbrennungen und einen Defekt zur Folge haben kann.

6. **Lagern und benutzen Sie das Werkzeug und den Akku nicht an Orten, an denen die Temperatur 50 °C erreichen oder überschreiten kann.**
7. **Versuchen Sie niemals, den Akku zu verbrennen, selbst wenn er stark beschädigt oder vollkommen verbraucht ist. Der Akku kann im Feuer explodieren.**
8. **Unterlassen Sie Nageln, Schneiden, Zerquetschen, Werfen, Fallenlassen des Akkus oder Schlagen des Akkus mit einem harten Gegenstand.** Eine solche Handlung kann zu einem Brand, übermäßiger Hitzeentwicklung oder einer Explosion führen.
9. **Benutzen Sie keine beschädigten Akkus.**
10. **Die enthaltenen Lithium-Ionen-Akkus unterliegen den Anforderungen der Gefahrengut-Gesetzgebung.**

Für kommerzielle Transporte, z. B. durch Dritte oder Spediteure, müssen besondere Anforderungen zu Verpackung und Etikettierung beachtet werden. Zur Vorbereitung des zu transportierenden Artikels ist eine Beratung durch einen Experten für Gefahrengut erforderlich. Bitte beachten Sie möglicherweise ausführlichere nationale Vorschriften. Überkleben oder verdecken Sie offene Kontakte, und verpacken Sie den Akku so, dass er sich in der Verpackung nicht umher bewegen kann.
11. **Entfernen Sie den Akku zum Entsorgen vom Werkzeug, und entsorgen Sie ihn an einem sicheren Ort. Befolgen Sie die örtlichen Vorschriften bezüglich der Entsorgung von Akkus.**

12. **Verwenden Sie die Akkus nur mit den von Makita angegebenen Produkten.** Das Einsetzen der Akkus in nicht konforme Produkte kann zu einem Brand, übermäßiger Hitzebildung, einer Explosion oder Auslaufen von Elektrolyt führen.
13. **Soll das Werkzeug längere Zeit nicht benutzt werden, muss der Akku vom Werkzeug entfernt werden.**
14. **Bei und nach dem Gebrauch kann der Akku heiß werden, was Verbrennungen oder Niedertemperaturverbrennungen verursachen kann.** Beachten Sie die Handhabung von heißen Akkus.
15. **Berühren Sie nicht den Anschlusskontakt des Werkzeugs unmittelbar nach dem Gebrauch, da er heiß genug werden kann, um Verbrennungen zu verursachen.**
16. **Achten Sie darauf, dass sich keine Späne, Staub oder Schmutz in den Anschlusskontakten, Löchern und Nuten des Akkus absetzen.** Es könnte sonst zu Erhitzung, Brandauslösung, Bersten und Funktionsstörungen des Werkzeugs oder des Akkus kommen, was zu Verbrennungen oder Personenschäden führen kann.
17. **Wenn das Werkzeug den Einsatz in der Nähe einer Hochspannungs-Stromleitung nicht unterstützt, benutzen Sie den Akku nicht in der Nähe einer Hochspannungs-Stromleitung.** Dies kann zu einer Funktionsstörung oder Betriebsstörung des Werkzeugs oder des Akkus führen.
18. **Halten Sie die Batterie von Kindern fern.**

DIESE ANWEISUNGEN AUFBEWAHREN.

⚠ VORSICHT: Verwenden Sie nur Original-Makita-Akkus. Die Verwendung von Nicht-Original-Makita-Akkus oder von Akkus, die abgeändert worden sind, kann zum Bersten des Akkus und daraus resultierenden Bränden, Personenschäden und Beschädigung führen. Außerdem wird dadurch die Makita-Garantie für das Makita-Werkzeug und -Ladegerät ungültig.

Hinweise zur Aufrechterhaltung der maximalen Akku-Nutzungsdauer

1. **Laden Sie den Akku, bevor er vollkommen erschöpft ist. Schalten Sie das Werkzeug stets aus, und laden Sie den Akku, wenn Sie ein Nachlassen der Werkzeugleistung feststellen.**
2. **Unterlassen Sie erneutes Laden eines voll aufgeladenen Akkus. Überladen führt zu einer Verkürzung der Nutzungsdauer des Akkus.**
3. **Laden Sie den Akku bei Raumtemperatur zwischen 10 – 40 °C. Lassen Sie einen heißen Akku abkühlen, bevor Sie ihn laden.**
4. **Wenn Sie den Akku nicht benutzen, nehmen Sie ihn vom Werkzeug oder Ladegerät ab.**
5. **Der Akku muss geladen werden, wenn er lange Zeit (länger als sechs Monate) nicht benutzt wird.**

MONTAGE

⚠️ WARNUNG: Vergewissern Sie sich stets, dass der Akku abgenommen ist, bevor Sie irgendwelche Arbeiten an der Maschine ausführen. Wird das Abnehmen des Akkus unterlassen, kann es zu schweren Personenschäden durch versehentliches Anlaufen kommen.

⚠️ WARNUNG: Starten Sie den Mäher niemals, wenn er nicht vollständig zusammengebaut ist. Der Betrieb der Maschine in teilweise zusammengebautem Zustand kann zu schweren Personenschäden durch versehentliches Anlaufen führen.

Montieren der Akkuabdeckung

⚠️ WARNUNG: Setzen Sie die Akkus nicht ein, bevor die Akkuabdeckung montiert worden ist. Andernfalls kann es zu einer schweren Verletzung kommen.

Montieren Sie die Akkuabdeckung vollständig vor dem Betrieb. Die Akkuabdeckung schützt den Mäher und die Akkus vor Schlamm, Schmutz und Wasser.

1. Bringen Sie die Akkuabdeckung so an, dass die Vorsprünge am Mäher auf die Löcher in der Akkuabdeckung ausgerichtet sind.
▶ **Abb.1:** 1. Vorsprung 2. Loch 3. Akkuabdeckung
2. Drücken Sie die Akkuabdeckung mit beiden Händen in der Mitte an.
▶ **Abb.2**
3. Vergewissern Sie sich, dass die Akkuabdeckung fest angebracht und mit dem Verriegelungshebel sicher verriegelt ist.
▶ **Abb.3:** 1. Verriegelungshebel

Montieren des Bügelgriffs

⚠️ VORSICHT: Installieren Sie die Bügelgriffe sicher.

ANMERKUNG: Positionieren Sie das Kabel beim Montieren der Bügelgriffe so, dass es nicht durch irgendwelche Teile zwischen den Bügelgriffen erfasst wird. Falls das Kabel beschädigt wird, funktioniert der Mäherschalter eventuell nicht.

1. Führen Sie beide Enden des unteren Bügelgriffs in die Führungsnuten des Mäherkörpers ein, ziehen Sie dann die Klemmhebel an, und klappen Sie die Klemmhebel ein.
▶ **Abb.4:** 1. Klemmhebel 2. Unterer Bügelgriff

Ziehen Sie die Klemmhebel an, bis die Ringe an den Hebeln gerade nicht mehr zu sehen sind.

- ▶ **Abb.5:** 1. Ring

HINWEIS: Vergewissern Sie sich, dass nach dem Einklappen der Klemmhebel kein Spalt zwischen dem unteren Bügelgriff und dem Mäherkörper vorhanden ist.

▶ **Abb.6**

2. Richten Sie das Loch im oberen Bügelgriff auf das Loch im unteren Bügelgriff aus, führen Sie dann die Schraube von außen ein, und ziehen Sie dann die Rändelmutter von innen an. Führen Sie den gleichen Vorgang auf der anderen Seite durch.

▶ **Abb.7:** 1. Rändelmutter 2. Schraube

HINWEIS: Halten Sie den oberen Bügelgriff gut fest, damit er Ihnen nicht aus der Hand rutscht.

Entfernen des Mulchstopfens

1. Öffnen Sie die Rückabdeckung.
▶ **Abb.8:** 1. Rückabdeckung
2. Halten Sie den Mulchstopfen am Handgriff, und ziehen Sie ihn dann aus der Mähereinheit heraus, wie in der Abbildung gezeigt.
▶ **Abb.9:** 1. Handgriff 2. Mulchstopfen

Montieren und Demontieren des Graskorbs

Befolgen Sie zum Montieren des Graskorbs die nachstehenden Schritte.

1. Öffnen Sie die Rückabdeckung.
▶ **Abb.10:** 1. Rückabdeckung
2. Halten Sie den Griff des Graskorbs, und hängen Sie dann den Graskorb an die Stange der Mähereinheit, wie in der Abbildung gezeigt.
▶ **Abb.11:** 1. Stange 2. Griff 3. Graskorb

Zum Entfernen des Graskorbs öffnen Sie die Rückabdeckung, und nehmen Sie dann den Graskorb ab, indem Sie den Griff halten.

Anbringen des Mulchstopfens

1. Öffnen Sie die Rückabdeckung, und nehmen Sie dann den Graskorb ab.
▶ **Abb.12:** 1. Rückabdeckung 2. Graskorb
2. Halten Sie den Mulchstopfen am Handgriff, und bringen Sie ihn dann durch Schieben bis zum Anschlag am Mäherkörper an, wie in der Abbildung gezeigt.
▶ **Abb.13:** 1. Handgriff 2. Mulchstopfen

FUNKTIONSBESCHREIBUNG

⚠ VORSICHT: Vergewissern Sie sich vor der Durchführung von Einstellungen oder Funktionsprüfungen der Maschine stets, dass die Maschine ausgeschaltet und der Akku abgenommen ist.

Anbringen und Abnehmen des Akkus

⚠ VORSICHT: Schalten Sie die Maschine stets aus, bevor Sie die Akkus anbringen oder abnehmen.

⚠ VORSICHT: Halten Sie die Maschine und den Akku beim Anbringen oder Abnehmen des Akkus sicher fest. Wenn Sie die Maschine und den Akku nicht sicher festhalten, können sie Ihnen aus den Händen rutschen, was zu einer Beschädigung der Maschine und des Akkus und zu Personenschäden führen kann.

⚠ VORSICHT: Verriegeln Sie unbedingt die Akkuabdeckung vor Gebrauch. Anderenfalls können Schlamm, Schmutz oder Wasser eine Beschädigung des Produkts oder der Akkus verursachen.

⚠ VORSICHT: Schieben Sie die Akkus stets bis zum Anschlag ein, bis die rote Anzeige nicht mehr sichtbar ist. Anderenfalls kann er versehentlich aus der Maschine herausfallen und Sie oder umstehende Personen verletzen.

⚠ VORSICHT: Unterlassen Sie Gewaltanwendung beim Anbringen der Akkus. Falls die Akkus nicht reibungslos hineingleiten, sind sie nicht richtig ausgerichtet.

⚠ VORSICHT: Halten Sie die Akkuabdeckung fest, wenn Sie den Akku installieren oder entfernen.

Zum Einsetzen der Akkus:

1. Ziehen Sie den Verriegelungshebel hoch, und öffnen Sie dann die Akkuabdeckung.
► **Abb.14:** 1. Akkuabdeckung 2. Verriegelungshebel
2. Richten Sie die Feder am Akku auf den Schlitz am Mäher aus, und schieben Sie dann den Akku hinein, bis er mit einem leisen Klicken einrastet.
► **Abb.15:** 1. Akku
3. Schließen Sie die Akkuabdeckung fest.

Zum Abnehmen der Akkus vom Mäher:

1. Ziehen Sie den Verriegelungshebel hoch, und öffnen Sie die Akkuabdeckung.
2. Ziehen Sie die Akkus aus dem Mäher heraus, während Sie den Knopf an der Vorderseite des jeweiligen Akkus verschieben.
3. Schließen Sie die Akkuabdeckung.

Maschinen-/Akku-Schutzsystem

Die Maschine ist mit einem Maschinen-/Akku-Schutzsystem ausgestattet. Dieses System schaltet die Stromversorgung des Motors automatisch ab, um die Lebensdauer von Maschine und Akku zu verlängern. Die Maschine bleibt während des Betriebs automatisch stehen, wenn die Maschine oder der Akku einer der folgenden Bedingungen unterliegt:

Überlastschutz

Wird die Maschine oder der Akku auf eine Weise benutzt, die eine ungewöhnlich hohe Stromaufnahme bewirkt, bleibt die Maschine automatisch stehen, und die Anzeigelampe leuchtet in Rot auf. Schalten Sie in dieser Situation die Maschine aus, und brechen Sie die Anwendung ab, die eine Überlastung der Maschine verursacht hat. Schalten Sie dann die Maschine wieder ein, um sie neu zu starten.

Überhitzungsschutz

Wenn die Maschine überhitzt wird, bleibt die Maschine automatisch stehen, und die Anzeigelampe leuchtet in Rot auf. Lassen Sie die Maschine abkühlen, bevor Sie sie wieder einschalten.

Überentladungsschutz

Wenn die Akkukapazität niedrig wird, bleibt die Maschine automatisch stehen, und die Anzeigelampe leuchtet in Rot auf. Falls die Maschine trotz Betätigung der Schalter nicht funktioniert, entfernen Sie den Akku von der Maschine, und laden Sie ihn auf.

Schutz gegen andere Ursachen

Das Schutzsystem ist auch für andere Ursachen ausgelegt, die eine Beschädigung der Maschine bewirken könnten, und ermöglicht automatisches Anhalten der Maschine. Führen Sie alle folgenden Schritte aus, um die Ursachen zu beseitigen, wenn die Maschine zu einem vorübergehenden Stillstand oder Betriebsstopp gekommen ist.

1. Schalten Sie die Maschine aus und wieder ein, um sie neu zu starten.
2. Laden Sie den/die Akku(s) auf, oder tauschen Sie ihn/sie gegen einen aufgeladenen Akku/aufgeladene Akkus aus.
3. Lassen Sie die Maschine und den/die Akku(s) abkühlen.

Falls die Wiederherstellung des Schutzsystems keine Besserung bringt, wenden Sie sich an Ihre lokale Makita-Kundendienststelle.

ANMERKUNG: Falls die Maschine wegen einer oben nicht beschriebenen Ursache stehen bleibt, nehmen Sie auf den Abschnitt zur Fehlersuche Bezug.

HINWEIS: Der Zeitpunkt, zu dem die Lampe aufleuchtet, hängt von der Temperatur am Arbeitsplatz und dem Zustand des Akkus ab.

Anzeigen der Akku-Restkapazität

► **Abb.16:** 1. Anzeigelampe

Wenn die Akku-Restkapazität niedrig wird, blinkt die Anzeigelampe in Rot. Bei weiterer Benutzung bleibt die Maschine stehen, und die Anzeigelampe leuchtet in Rot auf. Laden Sie in dieser Situation den Akku auf.

Anzeigen der Akku-Restkapazität

Drücken Sie die Prüftaste am Akku, um die Akku-Restkapazität anzuzeigen. Die Anzeigelampen leuchten wenige Sekunden lang auf.

► **Abb.17:** 1. Anzeigelampen 2. Prüftaste

Anzeigelampen			Restkapazität
Erleuchtet	Aus	Blinkend	
■	□	▬	75% bis 100%
■ ■ ■ ■			
■ ■ ■	□		50% bis 75%
■ ■	□ □		25% bis 50%
■	□ □ □		0% bis 25%
▬	□ □ □		Den Akku aufladen.
■ ■	□ □		Möglicherweise liegt eine Funktionsstörung im Akku vor.
□ □	■ ■	↑ ↓	

HINWEIS: Abhängig von den Benutzungsbedingungen und der Umgebungstemperatur kann die Anzeige geringfügig von der tatsächlichen Kapazität abweichen.

HINWEIS: Die erste (äußerste linke) Anzeigelampe blinkt, wenn das Akku-Schutzsystem aktiv ist.

Schalterfunktion

⚠ WARNUNG: Vergewissern Sie sich vor dem Einsetzen der Akkus stets, dass der Schalthebel ordnungsgemäß funktioniert und beim Loslassen in die Ausgangsstellung zurückkehrt. Der Betrieb einer Maschine mit einem fehlerhaften Schalter kann zum Verlust der Kontrolle und zu schweren Personenschäden führen.

HINWEIS: Der Mäher startet nicht, ohne den Schaltknopf zu drücken, selbst wenn der Schalthebel betätigt wird.

HINWEIS: Der Mäher startet möglicherweise nicht aufgrund der Überlastung, wenn Sie versuchen, langes oder dichtes Gras in einem Durchgang zu mähen. Erhöhen Sie in diesem Fall die Mähhöhe.

Diese Maschine ist mit einem Schaltknopf ausgestattet. Falls Sie etwas Ungewöhnliches am Schaltknopf bemerken, stellen Sie den Betrieb sofort ein, und lassen Sie ihn von Ihrem nächsten autorisierten Makita-Servicecenter überprüfen.

1. Installieren Sie den Akku, und schließen Sie dann die Akkuabdeckung fest.
 2. Ziehen Sie den Schalthebel auf sich zu, während Sie den Schaltknopf gedrückt halten. Lassen Sie den Schaltknopf los, wenn der Motor anläuft.
- **Abb.18:** 1. Schaltknopf 2. Schalthebel
3. Lassen Sie den Schalthebel los, um den Motor zu stoppen.

Einstellen der Mähhöhe

⚠ WARNUNG: Halten Sie niemals Ihre Hand oder Ihren Fuß unter die Mähereinheit, wenn Sie die Mähhöhe einstellen.

⚠ WARNUNG: Vergewissern Sie sich stets, dass der Hebel einwandfrei in der Führungsnut sitzt, bevor Sie den Mäher in Betrieb nehmen.

Die Mähhöhe kann innerhalb des Bereichs zwischen 20 mm und 75 mm eingestellt werden.

Schalten Sie die Maschine aus, ziehen Sie dann den Mähhöhen-Einstellhebel von der Mähereinheit nach außen, und stellen Sie ihn auf die gewünschte Mähhöhe ein.

► **Abb.19:** 1. Mähhöhen-Einstellhebel

Die nachstehende Tabelle zeigt die Beziehung zwischen der Nummer an der Mähereinheit und der ungefähren Mähhöhe.

Nummer	Mähhöhe
1	20 mm
2	29 mm
3	36 mm
4	44 mm
5	53 mm
6	61 mm
7	69 mm
8	75 mm

HINWEIS: Die Zahlen der Mähhöhe dienen lediglich als Orientierungshilfe. Je nach den Bedingungen des Rasens oder des Bodens kann die tatsächliche Rasenhöhe geringfügig von der eingestellten Höhe abweichen.

HINWEIS: Machen Sie einen Mähtest an einer unauffälligeren Stelle des Rasens, um die gewünschte Höhe zu erhalten.

Grasfüllstandsanzeige

► **Abb.20:** 1. Grasfüllstandsanzeige

Die Grasfüllstandsanzeige zeigt die Menge des gemähten Grasses an.

- Wenn der Graskorb nicht voll ist, schwebt die Anzeige während des Mähens.
- Wenn der Graskorb voll ist, schwebt die Anzeige während des Mähens nicht. Brechen Sie in diesem Fall die Mäharbeit sofort ab, und leeren Sie den Korb. Nachdem Sie den Korb geleert haben, reinigen Sie ihn, so dass sein Maschenwerk die Luft ventiliert.

HINWEIS: Diese Anzeige ist eine grobe Orientierungshilfe. Je nach den Bedingungen im Korb funktioniert diese Anzeige u. U. nicht richtig.

Einstellen der Bügelgriffhöhe

⚠ VORSICHT: Bevor Sie die Schrauben entfernen, halten Sie den oberen Bügelgriff fest. Andernfalls kann der Bügelgriff herunterfallen und Verletzungen verursachen.

Die Bügelgriffhöhe kann in zwei Stufen eingestellt werden.

1. Lösen Sie die Rändelmutter des Bügelgriffs, und entfernen Sie dann die Schrauben und die Rändelmutter.
▶ **Abb.21:** 1. Rändelmutter
2. Stellen Sie die Bügelgriffhöhe ein.
3. Führen Sie die Schrauben von außen ein, und ziehen Sie dann die Rändelmutter von innen an.

Verwendung des Mulchstopfens

Der Mulchstopfen ermöglicht es Ihnen, das abgeschnittene Gras auf den Boden zurückzuführen, ohne es im Graskorb aufzusammeln. Wenn Sie die Maschine mit dem Mulchstopfen betreiben, nehmen Sie unbedingt den Graskorb ab.

ANMERKUNG: Wenn Sie die Maschine mit dem Mulchstopfen benutzen, vergewissern Sie sich, dass die Gesamtlänge des Grasses nach dem Mähen 30 mm oder mehr, und die Schnittlänge 15 mm oder weniger beträgt.

- ▶ **Abb.22:** (1) 30 mm oder mehr (2) 15 mm oder weniger

BETRIEB

Mähen

⚠ WARNUNG: Bevor Sie mit dem Mähen beginnen, entfernen Sie Äste und Steine vom Mähbereich. Beseitigen Sie vorher auch jegliches Unkraut im Mähbereich.

⚠ WARNUNG: Tragen Sie bei der Benutzung des Mähers stets eine Schutzbrille mit Seitenschützern.

⚠ VORSICHT: Falls das geschnittene Gras oder ein Fremdkörper die Mähereinheit verstopft, entfernen Sie unbedingt die Akkus und tragen Sie Handschuhe, bevor Sie das Gras oder den Fremdkörper entfernen.

ANMERKUNG: Verwenden Sie diese Maschine nur zum Mähen von Rasen. Mähen Sie kein Unkraut mit dieser Maschine.

- ▶ **Abb.23**

Halten Sie den Bügelgriff beim Mähen mit beiden Händen fest.

Die Richtlinie der Mähgeschwindigkeit liegt bei ungefähr 2 bis 4 Sekunden pro 1 Meter.

- ▶ **Abb.24**

HINWEIS: Falls beim Mähen von langem oder dichtem Rasen nach dem Mähen Unebenheiten in der Rasenlänge oder ein schlechtes Finish festgestellt werden oder die Motordrehzahl während des Mähens abnimmt, verringern Sie die Mähgeschwindigkeit auf einen Wert, der niedriger als in dieser Anleitung empfohlen ist, oder erhöhen Sie die Mähhöhe.

Die Mittellinien der Vorderräder sind die Richtlinien für die Mähbreite. Mähen Sie in Streifen, indem Sie die Mittellinien als Richtlinien verwenden. Überlappen Sie den vorhergehenden Streifen um eine Hälfte bis ein Drittel, um den Rasen gleichmäßig zu mähen.

- ▶ **Abb.25:** 1. Mähbreite 2. Überlappungsbereich 3. Mittellinie

Wechseln Sie jedes Mal die Mährichtung, um zu verhindern, dass sich eine Grasmaserung nur in einer Richtung bildet.

- ▶ **Abb.26**

Überprüfen Sie die Höhe des gemähnten Grasses im Graskorb regelmäßig. Entleeren Sie den Graskorb, bevor er ganz voll wird. Vor jeder regelmäßigen Kontrolle muss die Maschine angehalten und ausgeschaltet werden.

ANMERKUNG: Die Benutzung des Mähers mit vollem Graskorb verhindert eine reibungslose Messerdrehung und übt eine zusätzliche Last auf den Motor aus, die zu einem Ausfall führen kann.

Mähen eines Rasens mit hohem Gras

Versuchen Sie nicht, hohes Gras in einem Durchgang zu mähen. Mähen Sie statt dessen den Rasen in mehreren Durchgängen. Lassen Sie einen oder zwei Tage zwischen den Mähdurchgängen offen, bis der Rasen gleichmäßig kurz wird.

HINWEIS: Der Versuch, langes Gras in einem Durchgang auf eine kurze Länge zu mähen, kann dazu führen, dass das Gras abstirbt. Außerdem kann das gemähte Gras die Innenseite der Mähereinheit blockieren.

Leeren des Graskorbs

⚠ WARNUNG: Um die Unfallgefahr zu reduzieren, sollten Sie den Graskorb regelmäßig auf Beschädigung oder Abschwächung überprüfen. Tauschen Sie den Graskorb nötigenfalls aus.

1. Lassen Sie den Schalthebel los.
2. Nehmen Sie den Akku ab.
3. Öffnen Sie die Rückabdeckung, und nehmen Sie den Graskorb an seinem Griff heraus.
▶ **Abb.27:** 1. Rückabdeckung 2. Griff
4. Leeren Sie den Graskorb.

WARTUNG

⚠️ WARNUNG: Vergewissern Sie sich immer, dass der Akku aus der Maschine entfernt ist, bevor Sie die Maschine lagern oder transportieren oder sich anschicken, eine Inspektion oder Wartung durchzuführen.

⚠️ WARNUNG: Tragen Sie Handschuhe zur Durchführung von Inspektions- oder Wartungsarbeiten.

⚠️ WARNUNG: Tragen Sie bei der Durchführung von Inspektions- oder Wartungsarbeiten stets eine Schutzbrille mit Seitenschützern.

ANMERKUNG: Verwenden Sie auf keinen Fall Benzin, Waschbenzin, Verdünnern, Alkohol oder dergleichen. Solche Mittel können Verfärbung, Verformung oder Rissbildung verursachen.

Um die SICHERHEIT und ZUVERLÄSSIGKEIT dieses Produkts zu gewährleisten, sollten Reparaturen und andere Wartungs- oder Einstellarbeiten nur von Makita-Vertragswerkstätten oder Makita-Kundendienstzentren unter ausschließlicher Verwendung von Makita-Originalersatzteilen ausgeführt werden.

Wartung

1. Entfernen Sie den Akku, und schließen Sie dann die Akkuabdeckung.
2. Legen Sie den Mäher auf seine Seite. Beseitigen Sie an der Unterseite des Mäherdecks angesammelten Grasschnitt.
3. Gießen Sie Wasser in Richtung der Unterseite der Maschine, an der das Messer angebracht ist.

ANMERKUNG: Waschen Sie die Maschine nicht mit Hochdruck-Wasserstrahl.

4. Überprüfen Sie alle Muttern, Bolzen, Schrauben usw. auf festen Sitz.
5. Überprüfen Sie die beweglichen Teile auf Beschädigung, Bruch und Verschleiß. Beschädigte oder fehlende Teile sind zu reparieren oder zu ersetzen.
6. Lagern Sie den Mäher an einem sicheren Ort außer Reichweite von Kindern.

Lagerung

⚠️ VORSICHT: Wenn Sie die Maschine in die aufrechte Position bringen, stellen Sie die Maschine auf eine ebene und stabile Fläche. Wird die Maschine auf eine instabile Fläche gestellt, kann die Maschine umfallen und eine Verletzung verursachen.

Lagern Sie den Mäher an einem kühlen, trockenen und abschließbaren Ort. Lagern Sie Mäher und Ladegerät nicht an Orten, an denen die Temperatur 40 °C erreichen oder überschreiten kann.

1. Nehmen Sie den Akku ab.
2. Nehmen Sie den Graskorb ab.

3. Klappen Sie die Klemmhebel auf, klappen Sie den Bügelgriff ein, und klappen Sie dann die Klemmhebel ein.

► **Abb.28:** 1. Klemmhebel

4. Lösen Sie die Rändelmutter des Bügelgriffs, und klappen Sie dann den oberen Bügelgriff ein.

► **Abb.29:** 1. Rändelmutter 2. Oberer Bügelgriff

5. Bringen Sie die Maschine in die aufrechte Position.

HINWEIS: Wenn Sie den Mäher in die aufrechte Position bringen, halten Sie nicht nur den Bügelgriff, sondern den Mäherkörper und den Bügelgriff fest.

6. Lagern Sie den Graskorb zwischen Bügelgriff und Mähereinheit.

► **Abb.30:** 1. Graskorb

Tragen des Mähers

⚠️ VORSICHT: Vergewissern Sie sich vor dem Tragen des Mähers, dass der Akku abgenommen ist.

Halten Sie beim Tragen des Mähers den hinteren Griff und den unteren Halteteil an der Vorderseite der Maschine, wie in der Abbildung gezeigt.

► **Abb.31:** 1. Unterer Halteteil 2. Hinterer Griff

Demontieren oder Montieren des Mähermessers

⚠️ WARNUNG: Entfernen Sie immer den Akku, wenn Sie das Messer demontieren oder montieren. Wird der Akku nicht entfernt, kann es zu schweren Verletzungen kommen.

⚠️ WARNUNG: Das Messer dreht sich nach dem Loslassen des Schalters noch einige Sekunden weiter. Warten Sie mit der Ausführung von Arbeiten, bis das Messer zu einem vollständigen Stillstand kommt.

⚠️ WARNUNG: Tragen Sie stets Handschuhe bei der Handhabung des Messers.

ANMERKUNG: Benutzen Sie zum Demontieren oder Montieren des Mähermessers den Steckschlüssel, der der Maschine beiliegt.

Entfernen des Mähermessers

1. Kippen Sie den Mäher auf seine Seite, so dass der Mähhöhen-Einstellhebel oben liegt.

2. Um die Messerdrehung zu blockieren, stecken Sie einen Stift oder ein Werkzeug, wie z. B. einen Schraubendreher, in ein Loch an der Mähereinheit.

3. Drehen Sie die Schraube mit dem Schraubenschlüssel entgegen dem Uhrzeigersinn.

► **Abb.32:** 1. Mähermesser 2. Schraubenschlüssel 3. Schraubendreher 4. Loch

4. Entfernen Sie Schraube und Messer in dieser Reihenfolge.

► **Abb.33:** 1. Messerhalter 2. Mähermesser 3. Schraube

Installieren des Mähmessers

Zum Montieren des Mähmessers wenden Sie das Demontageverfahren umgekehrt an.

⚠️ WARNUNG: Montieren Sie das Mähmesser sorgfältig. Das Messer hat eine Ober- und Unterseite.

⚠️ WARNUNG: Ziehen Sie dann die Schraube zur Sicherung des Messers im Uhrzeigersinn fest.

⚠️ WARNUNG: Vergewissern Sie sich, dass das Mähmesser und alle Befestigungsteile korrekt montiert und sicher festgezogen sind.

⚠️ WARNUNG: Befolgen Sie beim Auswechseln der Messer stets die Anweisungen in dieser Anleitung.

ANMERKUNG: Ziehen Sie die Schraube zum Montieren des Mähmessers mit einem Anzugsmoment von 19 - 29 N•m an (die Werte dienen nur als Anhaltspunkt).

FEHLERSUCHE

Bevor Sie den Reparaturdienst anrufen, führen Sie zunächst Ihre eigene Inspektion durch. Falls Sie ein Problem finden, das nicht in der Anleitung erläutert wird, versuchen Sie nicht, die Maschine zu zerlegen. Wenden Sie sich stattdessen an autorisierte Makita-Kundendienstzentren, und achten Sie darauf, dass stets Makita-Ersatzteile für Reparaturen verwendet werden.

Zustand der Unregelmäßigkeit	Wahrscheinliche Ursache (Funktionsstörung)	Abhilfemaßnahme
Der Mäher startet nicht.	Der Akku ist nicht eingesetzt.	Setzen Sie einen geladenen Akku ein.
	Akkustörung (Unterspannung)	Laden Sie die Akkus auf. Falls Laden nichts nützt, tauschen Sie die Akkus aus.
Der Motor bleibt nach kurzer Zeit stehen.	Der Ladestand der Akkus ist niedrig.	Laden Sie die Akkus auf. Falls Laden nichts nützt, tauschen Sie die Akkus aus.
	Die Schnitthöhe ist zu niedrig.	Vergrößern Sie die Schnitthöhe.
Der Motor erreicht die Maximaldrehzahl nicht.	Die Akkus sind falsch eingesetzt.	Setzen Sie die Akkus gemäß der Beschreibung in dieser Anleitung ein.
	Die Akkuleistung lässt nach.	Laden Sie die Akkus auf. Falls Laden nichts nützt, tauschen Sie die Akkus aus.
	Das Antriebssystem funktioniert nicht korrekt.	Wenden Sie sich bezüglich einer Reparatur an Ihr autorisiertes Kundendienstzentrum.
Das Mähmesser dreht sich nicht: ⇒ Stoppen Sie den Mäher unverzüglich!	Ein Fremdkörper, wie z. B. ein Ast, hat sich in der Nähe des Messers verklemmt.	Entfernen Sie den Fremdkörper.
	Das Antriebssystem funktioniert nicht korrekt.	Wenden Sie sich bezüglich einer Reparatur an Ihr autorisiertes Kundendienstzentrum.
Ungewöhnliche Vibration: ⇒ Stoppen Sie den Mäher unverzüglich!	Das Messer ist unausgeglichen, übermäßig oder ungleichmäßig abgenutzt.	Tauschen Sie das Messer aus.

SONDERZUBEHÖR

⚠️ VORSICHT: Die folgenden Zubehörteile oder Vorrichtungen werden für den Einsatz mit der in dieser Anleitung beschriebenen Makita-Maschine empfohlen. Die Verwendung anderer Zubehörteile oder Vorrichtungen kann eine Verletzungsgefahr darstellen. Verwenden Sie Zubehörteile oder Vorrichtungen nur für ihren vorgesehenen Zweck.

HINWEIS: Manche Teile in der Liste können als Standardzubehör im Produktpaket enthalten sein. Sie können von Land zu Land unterschiedlich sein.

Wenn Sie weitere Einzelheiten bezüglich dieser Zubehörteile benötigen, wenden Sie sich bitte an Ihre Makita-Kundendienststelle.

- Mähmesser
- Original-Makita-Akku und -Ladegerät

Makita Europe N.V.

Jan-Baptist Vinkstraat 2, 3070 Kortenberg, Belgium

Makita Corporation

3-11-8, Sumiyoshi-cho, Anjo, Aichi 446-8502 Japan

www.makita.com



885A44A978
EN, PL, HU, SK,
CS, UK, RO, DE
20230711