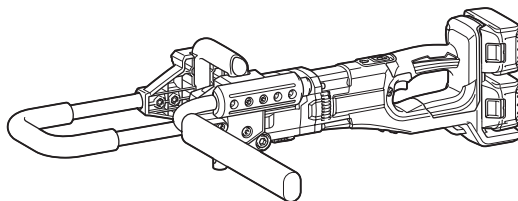




| | | | |
|----|--------------------------------------|------------------------------|----|
| EN | Cordless Earth Auger | INSTRUCTION MANUAL | 5 |
| PL | Akumulatorowa Wiertnica Ziemna | INSTRUKCJA OBSŁUGI | 12 |
| HU | Akkumulátoros földfúró | HASZNÁLATI KÉZIKÖNYV | 20 |
| SK | Akumulátorový zemný vrták | NÁVOD NA OBSLUHU | 28 |
| CS | Akumulátorový půdní šnekový vrták | NÁVOD K OBSLUZE | 35 |
| UK | Акумуляторний бур | ІНСТРУКЦІЯ З ЕКСПЛУАТАЦІЇ | 42 |
| RO | Foreză pentru pământ fără fir | MANUAL DE INSTRUCȚIUNI | 50 |
| DE | Akku-Erdbohrer | BETRIEBSANLEITUNG | 58 |

DDG461



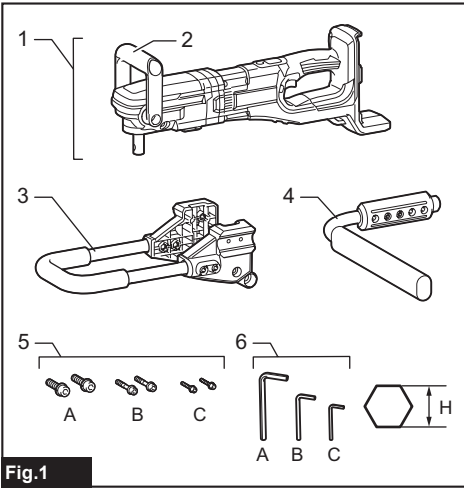


Fig.1

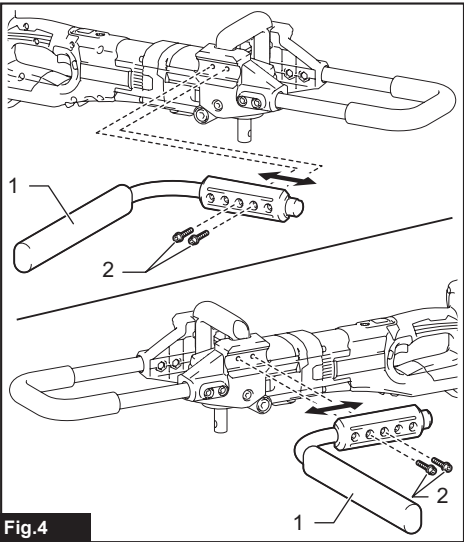


Fig.4

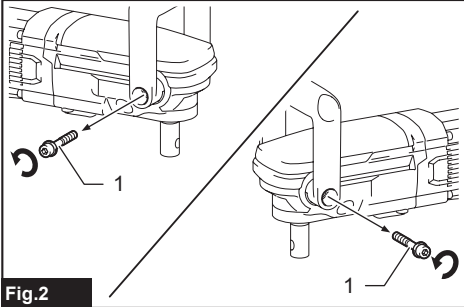


Fig.2

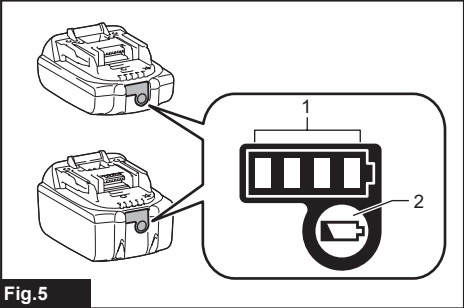


Fig.5

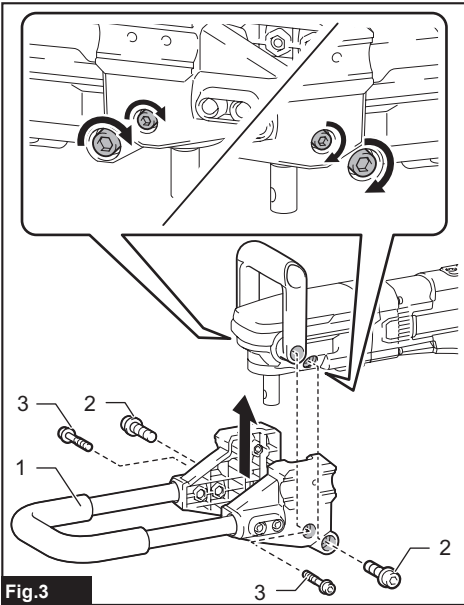


Fig.3

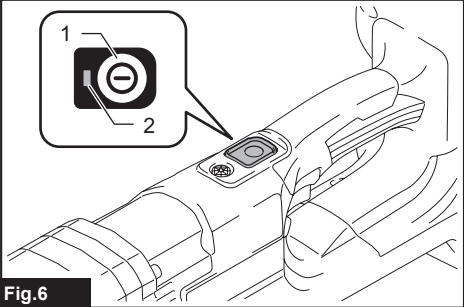


Fig.6

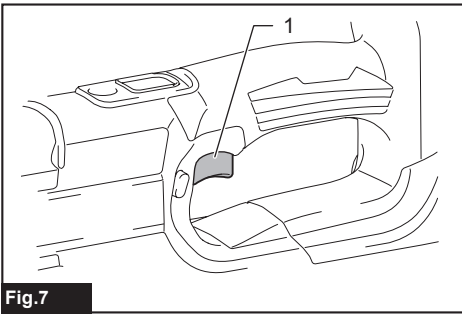


Fig.7

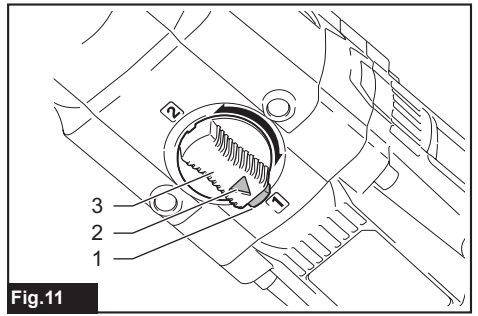


Fig.11

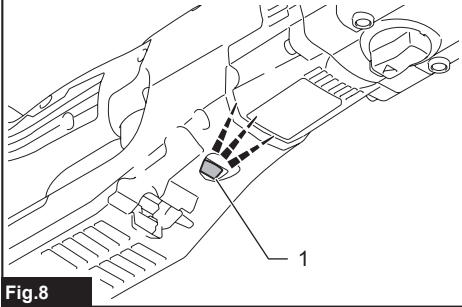


Fig.8

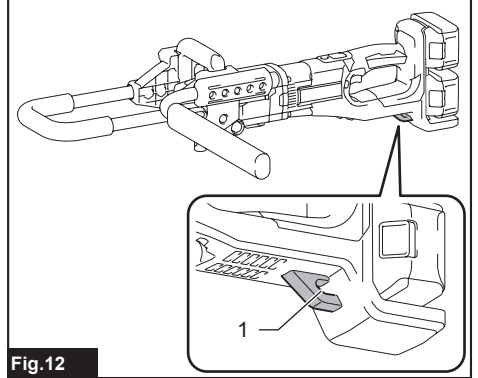


Fig.12

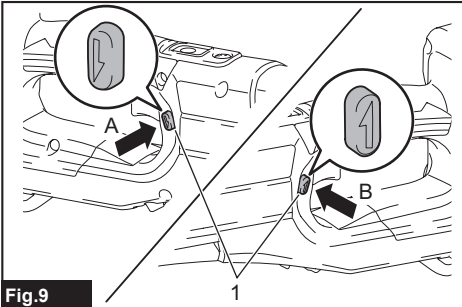


Fig.9

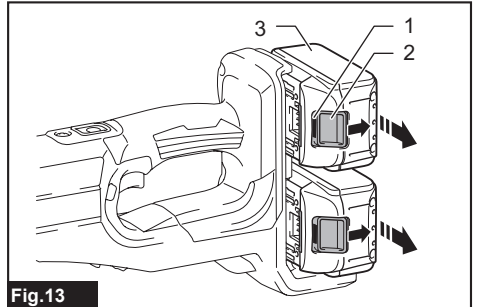


Fig.13

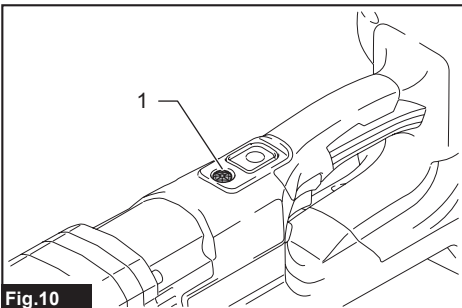


Fig.10

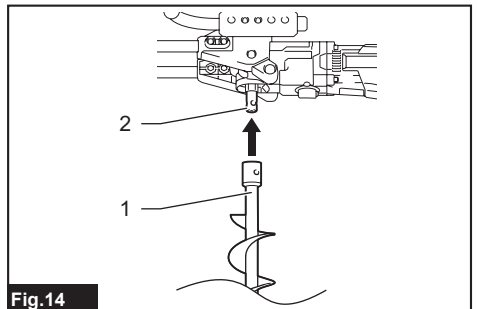


Fig.14

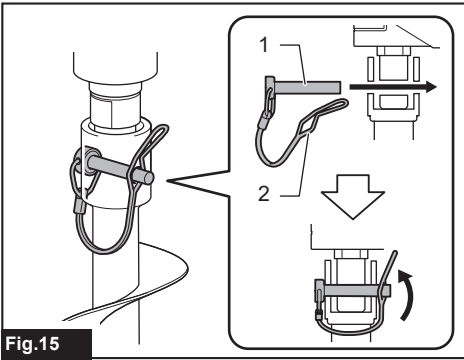


Fig.15

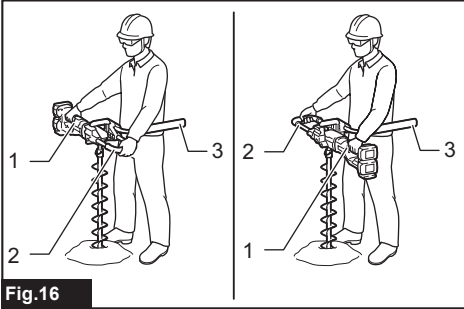


Fig.16



Fig.17

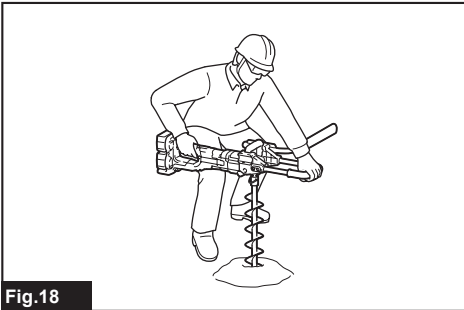


Fig.18

SPECIFICATIONS

| | | |
|-----------------------------------|------|---|
| Model: | | DDG461 |
| No load speed | High | 0 - 1,400 min ⁻¹ |
| | Low | 0 - 350 min ⁻¹ |
| Drilling capacities (Diameter) | High | For sandy soil: ø60 mm For clay soil: ø60 mm |
| | Low | For sandy soil: ø200 mm For clay soil: ø150 mm |
| Overall length | | 840 mm ⁻¹ |
| Rated voltage | | D.C. 36 V |
| Net weight | | 7.0 - 7.6 kg |

⁻¹ With side handle

- Due to our continuing program of research and development, the specifications herein are subject to change without notice.
- Specifications may differ from country to country.
- The weight may differ depending on the attachment(s), including the battery cartridge. The lightest and heaviest combinations, according to EPTA-Procedure 01/2014, are shown in the table.

Applicable battery cartridge and charger

| | |
|-------------------|---|
| Battery cartridge | BL1815N / BL1820B / BL1830B / BL1840B / BL1850B / BL1860B |
| Charger | DC18RC / DC18RD / DC18RE / DC18SD / DC18SE / DC18SF / DC18SH / DC18WC |

- Some of the battery cartridges and chargers listed above may not be available depending on your region of residence.

⚠WARNING: Only use the battery cartridges and chargers listed above. Use of any other battery cartridges and chargers may cause injury and/or fire.

Recommended cord connected power source

| | |
|---------------------|-----------------|
| Portable power pack | PDC01 / PDC1200 |
|---------------------|-----------------|

- The cord connected power source(s) listed above may not be available depending on your region of residence.
- Before using the cord connected power source, read instruction and cautionary markings on them.

Intended use

The tool is intended for drilling the ground.

Noise

The typical A-weighted noise level determined according to EN62841-2-1:

Measured based on the intended use

Sound pressure level (L_{pA}) : 84 dB (A)

Sound power level (L_{WA}) : 95 dB (A)

Uncertainty (K) : 3 dB (A)

NOTE: The declared noise emission value(s) has been measured in accordance with a standard test method and may be used for comparing one tool with another.

NOTE: The declared noise emission value(s) may also be used in a preliminary assessment of exposure.

⚠WARNING: Wear ear protection.

⚠WARNING: The noise emission during actual use of the power tool can differ from the declared value(s) depending on the ways in which the tool is used especially what kind of workpiece is processed.

⚠WARNING: Be sure to identify safety measures to protect the operator that are based on an estimation of exposure in the actual conditions of use (taking account of all parts of the operating cycle such as the times when the tool is switched off and when it is running idle in addition to the trigger time).

Vibration

The vibration total value (tri-axial vector sum) determined according to EN62841-1:

Measured based on the intended use

Vibration emission ($a_{h,D}$): 2.5 m/s² or less

Uncertainty (K): 1.5 m/s²

NOTE: The declared vibration total value(s) has been measured in accordance with a standard test method and may be used for comparing one tool with another.

NOTE: The declared vibration total value(s) may also be used in a preliminary assessment of exposure.

⚠WARNING: The vibration emission during actual use of the power tool can differ from the declared value(s) depending on the ways in which the tool is used especially what kind of workpiece is processed.

⚠WARNING: Be sure to identify safety measures to protect the operator that are based on an estimation of exposure in the actual conditions of use (taking account of all parts of the operating cycle such as the times when the tool is switched off and when it is running idle in addition to the trigger time).

Declarations of Conformity

For European countries only

The Declarations of conformity are included in Annex A to this instruction manual.

SAFETY WARNINGS

General power tool safety warnings

⚠WARNING Read all safety warnings, instructions, illustrations and specifications provided with this power tool. Failure to follow all instructions listed below may result in electric shock, fire and/or serious injury.

Save all warnings and instructions for future reference.

The term "power tool" in the warnings refers to your mains-operated (corded) power tool or battery-operated (cordless) power tool.

Cordless Earth Auger safety warnings

1. **Hold the tool with both hands at the intended handles.** Loss of control can cause personal injury.
2. **Brace the tool properly before use.** This tool produces a high output torque and without properly bracing the tool during operation, loss of control may occur resulting in personal injury.

3. **Hold the power tool by insulated gripping surfaces, when performing an operation where the digging accessory may contact hidden wiring.** Digging accessory contacting a "live" wire may make exposed metal parts of the power tool "live" and could give the operator an electric shock.
4. **Never operate at higher speed than the maximum speed rating of the earth augering bit.** At higher speeds, the bit is likely to bend if allowed to rotate freely without contacting the workpiece, resulting in personal injury.
5. **Always start earth augering at low speed and with the earth augering tip in contact with the ground.** At higher speeds, the bit is likely to bend if allowed to rotate freely without contacting the ground, resulting in personal injury.
6. **Apply pressure only in direct line with the bit and do not apply excessive pressure.** Bits can bend causing breakage or loss of control, resulting in personal injury.
7. **The outside diameter of the auger bit must be within the drilling capacity specified in this instruction manual.** Incorrectly sized auger bit cannot be adequately controlled.
8. **Always be sure you have a firm footing. Be sure no one is below when using the tool in high locations.**
9. **Hold the tool firmly.**
10. **Keep hands away from rotating parts.**
11. **Do not leave the tool running. Operate the tool only when hand-held.**
12. **Do not touch the auger bit immediately after operation; it may be extremely hot and could burn your skin.**
13. **Some material contains chemicals which may be toxic. Take caution to prevent dust inhalation and skin contact. Follow material supplier safety data.**
14. **If the auger bit cannot be loosened even you remove the auger pin, use pliers to pull it out.** In such a case, pulling out the auger bit by hand may result in injury by its sharp edge.
15. **If something wrong with the tool such as abnormal sounds, stop operating immediately and ask your local Makita Service Center for repair.**
16. **Before operation, make sure that there is no buried object such as electric pipe, water pipe or gas pipe in the ground.** Otherwise, the tool may touch them, resulting an electric shock, electrical leakage or gas leak.

SAVE THESE INSTRUCTIONS.

⚠WARNING: DO NOT let comfort or familiarity with product (gained from repeated use) replace strict adherence to safety rules for the subject product. MISUSE or failure to follow the safety rules stated in this instruction manual may cause serious personal injury.

Important safety instructions for battery cartridge

1. Before using battery cartridge, read all instructions and cautionary markings on (1) battery charger, (2) battery, and (3) product using battery.
2. Do not disassemble or tamper with the battery cartridge. It may result in a fire, excessive heat, or explosion.
3. If operating time has become excessively shorter, stop operating immediately. It may result in a risk of overheating, possible burns and even an explosion.
4. If electrolyte gets into your eyes, rinse them out with clear water and seek medical attention right away. It may result in loss of your eyesight.
5. Do not short the battery cartridge:

- (1) Do not touch the terminals with any conductive material.
- (2) Avoid storing battery cartridge in a container with other metal objects such as nails, coins, etc.
- (3) Do not expose battery cartridge to water or rain.

A battery short can cause a large current flow, overheating, possible burns and even a breakdown.

6. Do not store and use the tool and battery cartridge in locations where the temperature may reach or exceed 50 °C (122 °F).
7. Do not incinerate the battery cartridge even if it is severely damaged or is completely worn out. The battery cartridge can explode in a fire.
8. Do not nail, cut, crush, throw, drop the battery cartridge, or hit against a hard object to the battery cartridge. Such conduct may result in a fire, excessive heat, or explosion.
9. Do not use a damaged battery.
10. The contained lithium-ion batteries are subject to the Dangerous Goods Legislation requirements. For commercial transports e.g. by third parties, forwarding agents, special requirement on packaging and labeling must be observed. For preparation of the item being shipped, consult an expert for hazardous material is required. Please also observe possibly more detailed national regulations. Tape or mask off open contacts and pack up the battery in such a manner that it cannot move around in the packaging.
11. When disposing the battery cartridge, remove it from the tool and dispose of it in a safe place. Follow your local regulations relating to disposal of battery.
12. Use the batteries only with the products specified by Makita. Installing the batteries to non-compliant products may result in a fire, excessive heat, explosion, or leak of electrolyte.
13. If the tool is not used for a long period of time, the battery must be removed from the tool.
14. During and after use, the battery cartridge may take on heat which can cause burns or low temperature burns. Pay attention to the handling of hot battery cartridges.

15. Do not touch the terminal of the tool immediately after use as it may get hot enough to cause burns.
16. Do not allow chips, dust, or soil stuck into the terminals, holes, and grooves of the battery cartridge. It may cause heating, catching fire, burst and malfunction of the tool or battery cartridge, resulting in burns or personal injury.
17. Unless the tool supports the use near high-voltage electrical power lines, do not use the battery cartridge near high-voltage electrical power lines. It may result in a malfunction or breakdown of the tool or battery cartridge.
18. Keep the battery away from children.

SAVE THESE INSTRUCTIONS.

CAUTION: Only use genuine Makita batteries. Use of non-genuine Makita batteries, or batteries that have been altered, may result in the battery bursting causing fires, personal injury and damage. It will also void the Makita warranty for the Makita tool and charger.

Tips for maintaining maximum battery life

1. Charge the battery cartridge before completely discharged. Always stop tool operation and charge the battery cartridge when you notice less tool power.
2. Never recharge a fully charged battery cartridge. Overcharging shortens the battery service life.
3. Charge the battery cartridge with room temperature at 10 °C - 40 °C (50 °F - 104 °F). Let a hot battery cartridge cool down before charging it.
4. When not using the battery cartridge, remove it from the tool or the charger.
5. Charge the battery cartridge if you do not use it for a long period (more than six months).

INITIAL SETTING

CAUTION: Always be sure that the tool is switched off and the battery cartridge is removed before carrying out any work on the tool.

PARTS DESCRIPTION

► Fig.1

| | | | |
|---|-------------|---|-------------------|
| 1 | Main tool | 2 | Front handle |
| 3 | Side handle | 4 | Reaction receiver |
| 5 | Bolt | 6 | Wrench |

Specifications of the bolt / wrench

| - | Nominal diameter of the bolt | Wrench size (H) |
|---|------------------------------|-----------------|
| A | M 12 | 10 mm |
| B | M 8 | 6 mm |
| C | M 6 | 5 mm |

Setting up tool

CAUTION: Always be sure that the front handle, side handle and reaction receiver are installed securely before operation.

NOTICE: Do not over tighten the bolts. It may damage the tool.

Installing the side handle

Remove the bolts shown in the figure from the tool. Keep the bolts so that they are not lost.

► **Fig.2:** 1. Bolt

Place the side handle on the tool.

Tighten the all four bolts temporarily, and then securely tighten the bolts using the wrench.

► **Fig.3:** 1. Side handle 2. Bolt A 3. Bolt B

Installing the reaction receiver

Place the reaction receiver so that the bar of the reaction receiver comes to the left side of the operator.

Adjust the position of the reaction receiver so that the axis of the spindle is in the center of the operator's body. Fasten the bolts firmly.

► **Fig.4:** 1. Bar of the reaction receiver 2. Bolt C

FUNCTIONAL DESCRIPTION

CAUTION: Always be sure that the tool is switched off and the battery cartridge is removed before adjusting or checking function on the tool.

Indicating the remaining battery capacity

Only for battery cartridges with the indicator

► **Fig.5:** 1. Indicator lamps 2. Check button

Press the check button on the battery cartridge to indicate the remaining battery capacity. The indicator lamps light up for a few seconds.

| Indicator lamps | | | Remaining capacity |
|-----------------|-----|----------|-------------------------------------|
| Lighted | Off | Blinking | |
| | | | 75% to 100% |
| | | | 50% to 75% |
| | | | 25% to 50% |
| | | | 0% to 25% |
| | | | Charge the battery. |
| | | | The battery may have malfunctioned. |

NOTE: Depending on the conditions of use and the ambient temperature, the indication may differ slightly from the actual capacity.

NOTE: The first (far left) indicator lamp will blink when the battery protection system works.

Tool / battery protection system

The tool is equipped with a tool/battery protection system. This system automatically cuts off power to the motor to extend tool and battery life. The tool will automatically stop during operation if the tool or battery is placed under one of the following conditions:

Overload protection

When the tool/battery is operated in a manner that causes it to draw an abnormally high current, the tool stops automatically. In this situation, turn the tool off and stop the application that caused the tool to become overloaded. Then turn the tool on to restart.

Overheat protection

When the tool/battery is overheated, the tool stops automatically. In this situation, let the tool/battery cool before turning the tool on again.

Overdischarge protection

When the battery capacity is not enough, the tool stops automatically. In this case, remove the battery from the tool and charge the battery.

Protections against other causes

Protection system is also designed for other causes that could damage the tool and allows the tool to stop automatically. Take all the following steps to clear the causes, when the tool has been brought to a temporary halt or stop in operation.

1. Turn the tool off, and then turn it on again to restart.
2. Charge the battery(ies) or replace it/them with recharged battery(ies).
3. Let the tool and battery(ies) cool down.

If no improvement can be found by restoring protection system, then contact your local Makita Service Center.

Main power switch

WARNING: When the tool is not in use, turn the tool off and set the reversing switch lever in the neutral position to lock the trigger. Always be sure that the main power lamp goes out after you turn the tool off.

To stand by the tool, press the main power button until the main power lamp lights up. To turn off, press the main power button again.

► **Fig.6:** 1. Main power button 2. Main power lamp

NOTE: This tool employs the auto power-off function. To avoid unintentional start up, the main power switch will automatically shut down when the switch trigger is not pulled for about 5 minutes after the main power switch is turned on.

Switch action

CAUTION: Before installing the battery cartridge into the tool, always check to see that the switch trigger actuates properly and returns to the "OFF" position when released.

► Fig.7: 1. Switch trigger

To start the tool, pull the switch trigger with the main power switch on. Tool speed is increased by increasing pressure on the switch trigger. Release the switch trigger to stop.

NOTE: The tool automatically stops if you keep pulling the switch trigger for about 6 minutes.

Lighting up the front lamp

CAUTION: Do not look in the light or see the source of light directly.

► Fig.8: 1. Lamp

Pull the switch trigger to light up the lamp. The lamp keeps on lighting while the switch trigger is being pulled. The lamp goes out approximately 10 seconds after releasing the switch trigger.

NOTE: When the tool is overheated, the tool stops automatically and the lamp starts flashing. In this case, release the switch trigger. The lamp turns off in 5 minute(s).

NOTE: Use a dry cloth to wipe the dirt off the lens of the lamp. Be careful not to scratch the lens of lamp, or it may lower the illumination.

Reversing switch action

CAUTION: Always check the direction of rotation before operation.

CAUTION: Use the reversing switch only after the tool comes to a complete stop. Changing the direction of rotation before the tool stops may damage the tool.

CAUTION: When not operating the tool, always set the reversing switch lever to the neutral position.

This tool has a reversing switch to change the direction of rotation. Depress the reversing switch lever from the A side for clockwise rotation or from the B side for counterclockwise rotation.

When the reversing switch lever is in the neutral position, the switch lever cannot be pulled.

► Fig.9: 1. Reversing switch lever




Automatic speed change function

This tool has "high speed mode" and "high torque mode". The tool automatically changes the operation mode depending on the work load. When the work load is low, the tool will run in the "high speed mode" for quicker operation. When the work load is high, the tool will run in the "high torque mode" for powerful operation.

► Fig.10: 1. Mode indicator

The mode indicator lights up in green when the tool is running in "high torque mode".

If the tool is operated with excessive load, the mode indicator will blink in green. The mode indicator stops blinking and then lights up or turns off if you reduce the load on the tool.

| Mode indicator status | | | Operation mode |
|-----------------------|---|------------|------------------|
| ● On | ○ Off | ● Blinking | |
| |  | | High speed mode |
| |  | | High torque mode |
| |  | | Overload alert |

Speed change

NOTICE: Use the speed change knob only after the tool comes to a complete stop. Changing the tool speed before the tool stops may damage the tool.

NOTICE: Always set the speed change knob carefully into the correct position. If you operate the tool with the speed change knob positioned half-way between the position 1 and the position 2, the tool may be damaged.

Two speed ranges can be preselected with the speed change knob.

To change the speed, depress the lock button and turn the speed change knob so that the pointer points to the position 1 for low speed or the position 2 for high speed.

► Fig.11: 1. Lock button 2. Pointer 3. Speed change knob

Torque limiter

The torque limiter will actuate when a certain torque level is reached at the low speed setting (position 1). The motor will disengage from the output shaft. When this happens, the tool bit will stop turning. To restart the tool, lift the tool bit out of the hole and then pull the switch trigger again.

Accidental restart preventive function

A lockout function for switch trigger to prevent unintended operation. The tool will not start if you press the main power button while pulling the switch trigger. To restart the tool, release the switch trigger and then pull it again.

Electronic function

The tool is equipped with the following electronic functions for easy operation.

Electric brake

This tool is equipped with an electric brake. If the tool consistently fails to quickly cease to function after the switch trigger is released, have the tool serviced at a Makita service center.

Soft start feature

This function allows the smooth start-up of the tool by limiting the start-up torque.

Strap hole

⚠ WARNING: Do not use the strap hole for any other purpose than hanging the tool or than anti-theft of the tool. Otherwise personal injury may occur.

► Fig.12: 1. Strap hole

ASSEMBLY

Installing or removing battery cartridge

⚠ CAUTION: Always switch off the tool before installing or removing of the battery cartridge.

⚠ CAUTION: Hold the tool and the battery cartridge firmly when installing or removing battery cartridge. Failure to hold the tool and the battery cartridge firmly may cause them to slip off your hands and result in damage to the tool and battery cartridge and a personal injury.

► Fig.13: 1. Red indicator 2. Button 3. Battery cartridge

To remove the battery cartridge, slide it from the tool while sliding the button on the front of the cartridge.

To install the battery cartridge, align the tongue on the battery cartridge with the groove in the housing and slip it into place. Insert it all the way until it locks in place with a little click. If you can see the red indicator as shown in the figure, it is not locked completely.

⚠ CAUTION: Always install the battery cartridge fully until the red indicator cannot be seen. If not, it may accidentally fall out of the tool, causing injury to you or someone around you.

⚠ CAUTION: Do not install the battery cartridge forcibly. If the cartridge does not slide in easily, it is not being inserted correctly.

Mounting auger bit

⚠ CAUTION: Always be sure that the tool is switched off and the battery cartridge is removed before carrying out any work on the tool.

⚠ CAUTION: When attaching the auger bit to the spindle, make sure that the auger pin is locked and inspect the auger pin for any damages.

⚠ CAUTION: When carrying the tool, remove the auger bit from the tool.

Mounting auger bit on spindle

NOTE: The shape and mechanism of the auger bit and the auger pin may vary depending on your auger bit.

Align the hole on the spindle with the hole on the auger bit.

Put the auger bit onto the spindle.

► Fig.14: 1. Auger bit 2. Spindle

Fix the auger bit with the auger pin and the safety lock.

► Fig.15: 1. Auger pin 2. Safety lock

OPERATION

⚠ CAUTION: This is a powerful tool which generates high torque. It is important that the tool is securely held and properly braced.

⚠ CAUTION: Before operating, check that there is no foreign matter (sand, dirt, etc.) stuck in the openings or moving parts.

Work posture

Maintaining proper operating position is one of the most important and effective procedures for controlling kickback.

Keep proper positioning by practicing the following points.

- Position the tool so that the bar of the reaction receiver always contacts on the left side of your waist.
- Grasp the handle and the side handle with both hands. Wrap your fingers around the gripping areas, keeping the gripping areas cradled between your thumbs and forefingers.
- Keep your back as vertical as possible by bending the legs as required during the digging process.
- Stay alert to the torque reaction force of the tool. Always keep the operating position that you can withstand the torque reaction force.

► Fig.16: 1. Handle 2. Side handle 3. Bar of the reaction receiver

⚠ WARNING: Avoid improper positioning. Do not stand too far from the tool. Proper reaction and control may not be achieved in the event of kickback.

► Fig.17

Digging operation

⚠ CAUTION: Hold the tool firmly when operating the tool.

⚠ CAUTION: Keep your face and hands away from drilling attachments, such as an auger bit, any rotating parts and drill cutting waste during operation.

⚠ CAUTION: When leaving the tool, such as during a break, do not leave the tool stabbed in the ground or lean it against a wall. Store the tool in a stable condition.

NOTICE: When the rotation speed comes down extremely, reduce the load or stop the tool to avoid the tool damage.

NOTICE: Pressing excessively on the tool will not speed up the digging. In fact, this excessive pressure will only serve to damage the tip of the auger bit, decrease the tool performance and shorten the service life of the tool.

NOTICE: Avoid digging in material that you suspect contains hidden nails or other things that may cause the auger bit to bind or break.

NOTICE: If the tool is operated continuously until the battery cartridge has depleted, allow the tool to rest for 15 minutes before proceeding with a fresh battery.

- Select the speed (high/low) properly depending on the hole diameter and condition of the ground.
- When digging a deep hole or digging in clay soil, do not try to dig at once. Dig the hole by lifting up and down the tool so that the soil in the hole can be discharged.
- If the rotation speed of the tool slows down due to high load operation, lift the tool up little, and move the tool up and down to dig in small steps.

When rotating the auger bit in reverse

A stuck auger bit can be removed simply by setting the reversing switch to reverse rotation in order to back out. When reversing, brace the tool by your body to prevent a clockwise reaction.

► Fig.18

⚠ CAUTION: Hold the tool firmly. The tool may back out abruptly and cause an injury.

MAINTENANCE

⚠ CAUTION: Always be sure that the tool is switched off and the battery cartridge is removed before attempting to perform inspection or maintenance.

NOTICE: Never use gasoline, benzine, thinner, alcohol or the like. Discoloration, deformation or cracks may result.

To maintain product SAFETY and RELIABILITY, repairs, any other maintenance or adjustment should be performed by Makita Authorized or Factory Service Centers, always using Makita replacement parts.

OPTIONAL ACCESSORIES

⚠ CAUTION: These accessories or attachments are recommended for use with your Makita tool specified in this manual. The use of any other accessories or attachments might present a risk of injury to persons. Only use accessory or attachment for its stated purpose.

If you need any assistance for more details regarding these accessories, ask your local Makita Service Center.

- Auger bits
- Handle set
- Auger bit extension bar
- Makita genuine battery and charger

NOTE: Some items in the list may be included in the tool package as standard accessories. They may differ from country to country.

DANE TECHNICZNE

| | | |
|------------------------------|--------|--|
| Model: | | DDG461 |
| Prędkość bez obciążenia | Wysoka | 0–1 400 min ⁻¹ |
| | Niska | 0–350 min ⁻¹ |
| Zakresy wiercenia (Średnica) | Wysoka | W przypadku gleby piaszczystej: ø60 mm W przypadku gleby gliniastej: ø60 mm |
| | Niska | W przypadku gleby piaszczystej: ø200 mm W przypadku gleby gliniastej: ø150 mm |
| Długość całkowita | | 840 mm ⁻¹ |
| Napięcie znamionowe | | Prąd stały 36 V |
| Masa netto | | 7,0–7,6 kg |

⁻¹ Z rękojeścią boczną

- W związku ze stale prowadzonym przez naszą firmę programem badawczo-rozwojowym niniejsze dane mogą ulec zmianom bez wcześniejszego powiadomienia.
- Dane techniczne mogą różnić się w zależności od kraju.
- Masa może być różna w zależności od osprzętu, w tym akumulatora. W tabeli przedstawiona jest najlżejsza i najcięższa konfiguracja, zgodnie z procedurą EPTA 01/2014.

Kompatybilne akumulatory i ładowarki

| | |
|------------|---|
| Akumulator | BL1815N / BL1820B / BL1830B / BL1840B / BL1850B / BL1860B |
| Ładowarka | DC18RC / DC18RD / DC18RE / DC18SD / DC18SE / DC18SF / DC18SH / DC18WC |

- Pewne z wymienionych powyżej akumulatorów i ładowarek mogą być niedostępne w regionie zamieszkania użytkownika.

⚠ OSTRZEŻENIE: Należy używać wyłącznie akumulatorów i ładowarek wymienionych powyżej. Używanie innych akumulatorów i ładowarek może stwarzać ryzyko wystąpienia obrażeń ciała lub pożaru.

Zalecane źródło zasilania podłączone za pomocą przewodu

| | |
|--------------------------------|-----------------|
| Przenośna jednostka zasilająca | PDC01 / PDC1200 |
|--------------------------------|-----------------|

- Wymienione powyżej źródło zasilania podłączone za pomocą przewodu może być niedostępne w regionie zamieszkania użytkownika.
- Przed użyciem źródła zasilania podłączonego za pomocą przewodu należy zapoznać się z instrukcją i umieszczonymi na nim znakami ostrzegawczymi.

Przeznaczenie

Narzędzie jest przeznaczone do wiercenia w podłożu.

Hałas

Typowy równoważny poziom dźwięku A określony w oparciu o normę EN62841-2-1:

Pomiar wykonany podczas użytkowania zgodnie z przeznaczeniem

Poziom ciśnienia akustycznego (L_{pA}): 84 dB(A)

Poziom mocy akustycznej (L_{WA}): 95 dB (A)

Niepewność (K): 3 dB(A)

WSKAZÓWKA: Deklarowana wartość emisji hałasu została zmierzona zgodnie ze standardową metodą testową i można ją wykorzystać do porównywania narzędzi.

WSKAZÓWKA: Deklarowaną wartość emisji hałasu można także wykorzystać we wstępnej ocenie narażenia.

⚠ OSTRZEŻENIE: Nosić ochronniki słuchu.

⚠ OSTRZEŻENIE: Poziom hałasu wytwarzanego podczas rzeczywistego użytkowania elektronarzędzia może się różnić od wartości deklarowanej w zależności od sposobu użytkowania narzędzia, a w szczególności od rodzaju obrabianego elementu.

⚠ OSTRZEŻENIE: W oparciu o szacowane narażenie w rzeczywistych warunkach użytkowania należy określić środki bezpieczeństwa w celu zapewnienia ochrony operatora (uwzględniając wszystkie elementy cyklu działania, tj. czas, kiedy narzędzie jest wyłączone i kiedy pracuje na biegu jałowym, a także czas, kiedy jest włączone).

Drgania

Całkowita wartość poziomu drgań (suma wektorów w 3 osiach) określona zgodnie z normą EN6284 1-1:

Pomiar wykonywany podczas użytkowania zgodnie z przeznaczeniem

Emisja drgań ($a_{h,d}$): 2,5 m/s² lub mniej

Niepewność (K): 1,5 m/s²

WSKAZÓWKA: Deklarowana wartość poziomu drgań została zmierzona zgodnie ze standardową metodą testową i można ją wykorzystać do porównywania narzędzi.

WSKAZÓWKA: Deklarowaną wartość poziomu drgań można także wykorzystać we wstępnej ocenie narażenia.

⚠️ OSTRZEŻENIE: Drgania wytwarzane podczas rzeczywistego użytkowania elektronarzędzia mogą się różnić od wartości deklarowanej w zależności od sposobu użytkowania narzędzia, a w szczególności od rodzaju obrabianego elementu.

⚠️ OSTRZEŻENIE: W oparciu o szacowane narażenie w rzeczywistych warunkach użytkowania należy określić środki bezpieczeństwa w celu zapewnienia ochrony operatora (uwzględniając wszystkie elementy cyklu działania, tj. czas, kiedy narzędzie jest wyłączone i kiedy pracuje na biegu jałowym, a także czas, kiedy jest włączone).

Deklaracje zgodności

Dotyczy tylko krajów europejskich

Deklaracje zgodności są dołączone jako załącznik A do niniejszej instrukcji obsługi.

OSTRZEŻENIA DOTYCZĄCE BEZPIECZEŃSTWA

Ogólne zasady bezpiecznej eksploatacji elektronarzędzi

⚠️ OSTRZEŻENIE Należy zapoznać się z wszystkimi ostrzeżeniami dotyczącymi bezpieczeństwa, instrukcjami, ilustracjami i danymi technicznymi dołączonymi do tego elektronarzędzia. Niezastosowanie się do wszystkich podanych poniżej instrukcji może prowadzić do porażenia prądem elektrycznym, pożaru i/lub poważnych obrażeń ciała.

Wszystkie ostrzeżenia i instrukcje należy zachować do wykorzystania w przyszłości.

Pojęcie „elektonarzędzie”, występujące w wymienionych tu ostrzeżeniach, odnosi się do elektronarzędzia zasilanego z sieci elektrycznej (z przewodem zasilającym) lub do elektronarzędzia akumulatorowego (bez przewodu zasilającego).

Ostrzeżenia dotyczące bezpieczeństwa dla akumulatorowej wiertnicy ziemnej

1. **Trzymać narzędzie obiema rękami za przeznaczone do tego celu uchwyty.** Utrata kontroli może spowodować obrażenia ciała.
2. **Przed uruchomieniem narzędzie należy odpowiednio zaprzeć.** Narzędzie wytwarza wysoki moment obrotowy i brak odpowiedniego podparcia podczas pracy grozi utratą kontroli, co może spowodować obrażenia ciała.
3. **Podczas wykonywania prac, przy których osprzęt do kopania może zetknąć się z niewidoczną instalacją elektryczną, trzymać elektronarzędzie za izolowane powierzchnie rękojeści.** Zetknięcie osprzętu do kopania z przewodem elektrycznym znajdującym się pod napięciem może spowodować, że odsłonięte elementy metalowe elektronarzędzia również znajdą się pod napięciem, grożąc porażeniem operatora prądem elektrycznym.
4. **Nigdy nie należy ustawiać prędkości wyższej niż maksymalna prędkość określona dla danej końcówki wiertnicy głebowej.** Przy wyższych prędkościach końcówka obracająca się swobodnie bez kontaktu z obrabianym elementem może ulec wygięciu, co może prowadzić do obrażeń ciała.
5. **Pracę z użyciem wiertnicy głebowej należy zawsze rozpoczynać od niskiej prędkości oraz z końcówką wiertnicy stykającą się z gruntem.** Przy wyższych prędkościach końcówka obracająca się swobodnie bez kontaktu z gruntem może ulec wygięciu, co może prowadzić do obrażeń ciała.
6. **Należy stosować nacisk wyłącznie bezopornie w jednej linii z wiertłem i unikać wywierania nadmiernego nacisku.** Wiertło może się wygiąć, powodując uszkodzenie lub utratę kontroli, co może prowadzić do obrażeń ciała.
7. **Średnica zewnętrzna końcówki wiertnicy musi odpowiadać zakresom wiercenia określonym w niniejszej instrukcji obsługi.** Nie można zapewnić prawidłowej kontroli końcówki wiertnicy o niewłaściwym rozmiarze.
8. **Podczas pracy należy zadbać o dobre oparcie dla nóg.** W przypadku pracy na pewnej wysokości upewnić się, że na dole nie przebywają żadne osoby.
9. **Narzędzie należy trzymać mocno i pewnie.**
10. **Trzymać ręce z dala od części obrotowych.**
11. **Nie pozostawiać włączonego narzędzia.** Narzędzie można uruchomić tylko, gdy jest trzymane w rękach.
12. **Nie dotykać wiertła spiralnego od razu po zakończeniu danej operacji; może być ono bardzo gorące i spowodować oparzenie skóry.**
13. **Niektóre materiały zawierają substancje chemiczne, które mogą być toksyczne.** Unikać wdychania pyłu i kontaktu ze skórą. Przestrzegać przepisów bezpieczeństwa podanych przez dostawcę materiałów.
14. **Jeśli wiertło spiralne nie chce się poluzować po wyjęciu kołka wiertła, należy wyjąć je kombinerkami.** Wyciąganie wiertła spiralnego ręką w takim przypadku może spowodować skaleczenie z powodu ostrych krawędzi.

15. W przypadku zauważenia nieprawidłowej pracy narzędzia, na przykład wydawania przez narzędzie nietypowych dźwięków, należy natychmiast przerwać pracę i zlecić naprawę urządzenia w lokalnym punkcie serwisowym Makita.
16. Przed rozpoczęciem pracy należy upewnić się, że w podłożu nie ma ukrytych obiektów, takich jak na przykład przewody elektryczne, instalacja wodna lub gazowa. W przeciwnym razie może dojść do kontaktu narzędzia z takimi obiektami, skutkującego porażeniem elektrycznym, wpływem prądu lub wyciekami gazu.
9. Nie wolno używać uszkodzonego akumulatora.
10. Stanowiące wyposażenie akumulatory lito-jonowe podlegają przepisom dotyczącym produktów niebezpiecznych. Na potrzeby transportu komercyjnego, np. świadczonych przez firmy trzecie czy spedycyjne, należy przestrzegać specjalnych wymagań w zakresie pakowania i oznaczania etykietami. Przygotowanie produktu do wysyłki wymaga skonsultowania się ze specjalistą ds. materiałów niebezpiecznych. Należy także przestrzegać przepisów krajowych, które mogą być bardziej szczegółowe. Zakleić taśmą lub zaślepić otwarte styki akumulatora oraz zabezpieczyć go, aby nie mógł się przeesuwać w opakowaniu.

ZACHOWAĆ NINIEJSZE INSTRUKCJE.

⚠ OSTRZEŻENIE: NIE WOLNO pozwolić, aby wygoda lub rutyna (nabyta w wyniku wielokrotnego używania urządzenia) zastąpiły ściśle przestrzeganie zasad bezpieczeństwa obsługi. NIEWŁAŚCIWE UŻYTKOWANIE narzędzia lub niestosowanie się do zasad bezpieczeństwa podanych w niniejszej instrukcji obsługi może prowadzić do poważnych obrażeń ciała.

Ważne zasady bezpieczeństwa dotyczące akumulatora

1. Przed użyciem akumulatora zapoznać się ze wszystkimi instrukcjami i znakami ostrzegawczymi na (1) ładowarce, (2) akumulatorze i (3) produkcie, w którym będzie używany akumulator.
2. Nie rozmontowywać ani modyfikować akumulatora. Może to spowodować pożar, przegrzanie lub wybuch.
3. Jeśli czas działania uległ znacznemu skróceniu, należy natychmiast przerwać pracę. Może bowiem dojść do przegrzania, ewentualnych poparzeń, a nawet eksplozji.
4. W przypadku przedostania się elektrolitu do oczu, przemyć je czystą wodą i niezwłocznie uzyskać pomoc lekarską. Może on bowiem spowodować utratę wzroku.
5. Nie doprowadzać do zwarcia akumulatora:
 - (1) Nie dotykać styków materiałami przewodzącymi prąd.
 - (2) Unikać przechowywania akumulatora w pojemniku z metalowymi przedmiotami, takimi jak gwoździe, monety itp.
 - (3) Chronić akumulator przed deszczem lub wodą. Zwarcie prowadzi do przepływu prądu elektrycznego o dużym natężeniu i przegrzania akumulatora, co w konsekwencji może grozić poparzeniami a nawet awarią urządzenia.
6. Narzędzia i akumulatora nie wolno przechowywać ani używać w miejscach, w których temperatura osiąga bądź przekracza 50°C (122°F).
7. Akumulatorów nie wolno spalać, również tych poważnie uszkodzonych lub całkowicie zużytych. Akumulator może eksplodować w ogniu.
8. Nie należy przecinać ani zginać akumulatora, wbijać w niego gwoździ, rzucać nim, upuszczać, ani uderzać akumulatorem o twarde objekty. Takie działanie może spowodować pożar, przegrzanie lub wybuch.
11. Jeśli zajdzie konieczność utylizacji akumulatora, należy wyjąć go z narzędzia i przekazać w bezpieczne miejsce. Postępować zgodnie z przepisami lokalnymi dotyczącymi utylizacji akumulatorów.
12. Używać akumulatorów tylko z produktami określonymi przez firmę Makita. Zastosowanie akumulatorów w niezgodnych produktach może spowodować pożar, przegrzanie, wybuch lub wyciek elektrolitu.
13. Jeśli narzędzie nie będzie używane przez dłuższy czas, należy wyjąć z niego akumulator.
14. Przed użyciem akumulatora i po jego użyciu akumulator może pozostawać nagrany, co może spowodować poparzenia lub poparzenia w niskiej temperaturze. Z gorącym akumulatorem należy obchodzić się ostrożnie.
15. Nie należy dotykać styku narzędzia bezpośrednio po jego użyciu, ponieważ może on być na tyle gorący, że spowoduje oparzenia.
16. Nie należy dopuszczać, aby wióry, kurz lub brud gromadziły się na stykach, w otworach i rowkach akumulatora. Może to doprowadzić do przegrzania, pożaru, wybuchu lub uszkodzenia narzędzia lub akumulatora, co może spowodować oparzenia lub obrażenia ciała.
17. Jeśli narzędzie nie jest przeznaczone do użytku w pobliżu linii wysokiego napięcia, nie należy korzystać z akumulatora w ich sąsiedztwie. Może to spowodować nieprawidłowości w działaniu lub uszkodzenie narzędzia lub akumulatora.
18. Przechowywać akumulator w miejscu niedostępnym dla dzieci.

ZACHOWAĆ NINIEJSZE INSTRUKCJE.

⚠ PRZESTROGA: Używać wyłącznie oryginalnych akumulatorów firmy Makita. Używanie nieoryginalnych akumulatorów firm innych niż Makita lub akumulatorów, które zostały zmodyfikowane, może spowodować wybuch akumulatora i pożar, obrażenia ciała oraz zniszczenie mienia. Stanowi to również naruszenie warunków gwarancji firmy Makita dotyczących narzędzia i ładowarki.

Wskazówki dotyczące zachowania maksymalnej trwałości akumulatora

1. Akumulator należy naładować zanim zostanie do końca rozładowany. Po zauważeniu spadku mocy narzędzia należy przerwać pracę i naładować akumulator.
2. Nie wolno ładować powtórnie w pełni naładowanego akumulatora. Przeladowanie akumulatora skraca jego trwałość.
3. Akumulator należy ładować w temperaturze pokojowej w przedziale 10–40°C (50–104°F). W przypadku gorącego akumulatora przed przystąpieniem do ładowania należy poczekać, aż ostygnie.
4. Jeśli akumulator nie jest używany, należy go wyjąć z narzędzia lub ładowarki.
5. Akumulatory niklowo-wodorkowe należy naładować po okresie długiego nieużytkowania (dłuższego niż sześć miesięcy).

USTAWIENIE POCZĄTKOWE

⚠ PRZESTROGA: Przed przystąpieniem do prac konserwacyjnych przy narzędziu upewnić się, że jest ono wyłączone, a akumulator został wyjęty.

OPIS CZĘŚCI

► Rys.1

| | | | |
|---|------------------------|---|-----------------------|
| 1 | Główna część narzędzia | 2 | Uchwyt przedni |
| 3 | Rękojeść boczna | 4 | Element stabilizujący |
| 5 | Śruba | 6 | Klucz |

Dane techniczne śruby / klucza

| | Średnica nominalna śruby | Rozmiar klucza (H) |
|---|--------------------------|--------------------|
| - | | |
| A | M 12 | 10 mm |
| B | M 8 | 6 mm |
| C | M 6 | 5 mm |

Przygotowanie narzędzia

⚠ PRZESTROGA: Przed uruchomieniem należy zawsze sprawdzić, czy uchwyt przedni, rękojeść boczna i element stabilizujący są dobrze zamontowane.

UWAGA: Nie dokręcać śrub zbyt mocno. Może to doprowadzić do uszkodzenia narzędzia.

Montaż rękojeści bocznej

Wykręcić z narzędzia śruby wskazane na rysunku. Przechowywać śruby w takim miejscu, aby nie zginęły.

► Rys.2: 1. Śruba

Przymocować rękojeść boczną do narzędzia. Dokręcić prowizorycznie wszystkie cztery śruby, a następnie pewnie je dokręcić za pomocą klucza.

► Rys.3: 1. Rękojeść boczna 2. Śruba A 3. Śruba B

Montaż elementu stabilizującego

Zamontować element stabilizujący tak, aby drążek elementu stabilizującego znajdował się po lewej stronie operatora.

Wyregulować położenie elementu stabilizującego tak, aby os wrzeczona znajdowała się pośrodku względem ciała operatora.

Dokładnie dokręcić śruby.

► Rys.4: 1. Drążek elementu stabilizującego
2. Śruba C

OPIS DZIAŁANIA

⚠ PRZESTROGA: Przed przystąpieniem do regulacji lub przeglądu narzędzia upewnić się, że jest ono wyłączone, a akumulator został wyjęty.

Wskazanie stanu naładowania akumulatora

Tylko w przypadku akumulatorów ze wskaźnikiem

► Rys.5: 1. Lampki wskaźnika 2. Przycisk kontrolny

Nacisnąć przycisk kontrolny na akumulatorze w celu wyświetlenia stanu naładowania akumulatora. Lampki wskaźnika zaświecą się przez kilka sekund.

| Lampki wskaźnika | | | Pozostała energia akumulatora |
|------------------|-----------|------|--|
| Świeci się | Wyłączony | Miga | |
| ■ ■ ■ ■ | □ □ □ □ | ▧ | 75–100% |
| ■ ■ ■ □ | □ □ □ □ | ▧ | 50–75% |
| ■ ■ □ □ | □ □ □ □ | ▧ | 25–50% |
| ■ □ □ □ | □ □ □ □ | ▧ | 0–25% |
| ▧ □ □ □ | □ □ □ □ | ▧ | Naładować akumulator. |
| ■ ■ □ □ | □ □ □ □ | ▧ | Akumulator może nie działać poprawnie. |
| □ □ ■ ■ | ■ ■ ■ ■ | ▧ | |

WSKAZÓWKA: Zależnie od warunków użytkowania i temperatury otoczenia, wskazany poziom może nieznacznie się różnić od rzeczywistego stanu naładowania akumulatora.

WSKAZÓWKA: Pierwsza (skrajnie po lewej stronie) lampka wskaźnika miga, gdy układ zabezpieczenia akumulatora jest aktywny.

Układ zabezpieczenia narzędzia/akumulatora

Narzędzie jest wyposażone w układ zabezpieczenia narzędzia/akumulatora. Układ automatycznie odcina zasilanie silnika w celu wydłużenia trwałości narzędzia i akumulatora. Narzędzie zostanie automatycznie zatrzymane podczas pracy w następujących sytuacjach związanych z narzędziem lub akumulatorem:

Zabezpieczenie przed przeciążeniem

W przypadku użytkowania narzędzia/akumulatora w sposób powodujący nadmiernie wysoki pobór prądu narzędzie zostanie automatycznie zatrzymane. W takiej sytuacji należy wyłączyć narzędzie i zaprzestać wykonywania czynności powodującej przeciążenie narzędzia. Następnie należy włączyć narzędzie w celu jego ponownego uruchomienia.

Zabezpieczenie przed przegrzaniem

W przypadku przegrzania narzędzia/akumulatora narzędzie wyłączy się automatycznie. W takiej sytuacji należy odczekać, aż narzędzie/akumulator ostygnie przed ponownym włączeniem narzędzia.

Zabezpieczenie przed nadmiernym rozładowaniem

Gdy stan naładowania akumulatora stanie się zbyt niski, narzędzie zostanie automatycznie zatrzymane. W takiej sytuacji należy wyjąć akumulator z narzędzia i naładować go.

Inne zabezpieczenia

Układ zabezpieczający jest przeznaczony do ochrony przed innymi przyczynami, które mogą doprowadzić do uszkodzenia narzędzia i umożliwia automatyczne zatrzymanie narzędzia. Należy wykonać poniższe kroki, aby usunąć przyczyny tymczasowego wstrzymania lub zatrzymania pracy narzędzia.

1. Wyłączyć narzędzie, a następnie włączyć je ponownie w celu zrestartowania.
2. Naładować akumulatory lub zastąpić je (lub jeden z nich) naładowanymi akumulatorami.
3. Pozostawić narzędzie i akumulator (akumulatory) do ostygnięcia.

Jeśli przywrócenie działania układu zabezpieczającego nie przynosi pozytywnych efektów, należy skontaktować się z centrum serwisowym Makita.

Główny przełącznik zasilania

⚠️ OSTRZEŻENIE: Gdy narzędzie nie jest używane, należy je wyłączyć i ustawić dźwignię przełącznika obrotów wstecznych w położeniu neutralnym, aby zablokować spust. Po każdym wyłączeniu narzędzia należy upewnić się, że główna kontrolka zasilania zgasa.

Aby przełączyć narzędzie w tryb gotowości, należy nacisnąć główny przycisk zasilania, aż włączy się główna kontrolka zasilania. Aby wyłączyć narzędzie, należy ponownie nacisnąć główny przycisk zasilania.

► **Rys.6:** 1. Główny przycisk zasilania 2. Główna kontrolka zasilania

WSKAZÓWKA: To narzędzie jest wyposażone w funkcję automatycznego wyłączenia. Aby nie dopuścić do przypadkowego uruchomienia, główny przełącznik zasilania automatycznie wyłącza narzędzie, jeśli spust przełącznika nie zostanie pociągnięty przez około 5 minut od włączenia głównego przełącznika zasilania.

Działanie przełącznika

⚠️ PRZESTROGA: Przed włożeniem akumulatora do narzędzia należy zawsze sprawdzić, czy spust przełącznika działa prawidłowo i czy powraca do położenia wyłączenia po jego zwolnieniu.

► **Rys.7:** 1. Spust przełącznika

W celu uruchomienia narzędzia pociągnąć spust przełącznika, gdy zasilanie włączone jest głównym przełącznikiem zasilania. Prędkość narzędzia zwiększa się wraz ze zwiększaniem nacisku na spust przełącznika. W celu zatrzymania urządzenia wystarczy zwolnić spust przełącznika.

WSKAZÓWKA: Narzędzie zatrzyma się automatycznie, gdy spust przełącznika pozostanie wciśnięty przez około 6 min.

Włączanie lampki czołowej

⚠️ PRZESTROGA: Nie patrzeć na światło ani bezpośrednio na źródło światła.

► **Rys.8:** 1. Lampka

W celu włączenia lampki należy pociągnąć za spust przełącznika. Lampka świeci, dopóki spust przełącznika jest naciskany. Lampka wyłącza się po około 10 s od zwolnienia spustu przełącznika.

WSKAZÓWKA: W przypadku przegrzania narzędzie automatycznie się wyłączy i zacznie migać lampka. W takiej sytuacji należy zwolnić spust przełącznika. Lampka wyłączy się po upływie 5 minut.

WSKAZÓWKA: Aby usunąć zabrudzenia z klosza lampki, należy użyć suchej szmatki. Uważać, aby nie zarysować klosza lampki, gdyż może to zmniejszyć natężenie oświetlenia.

Działanie przełącznika zmiany kierunku obrotów

▲ PRZESTROGA: Przed przystąpieniem do pracy należy zawsze sprawdzić ustawiony kierunek obrotów.

▲ PRZESTROGA: Przełącznika zmiany kierunku obrotów można użyć tylko po całkowitym zatrzymaniu narzędzia. Zmiana kierunku obrotów przed zatrzymaniem się narzędzia grozi jego uszkodzeniem.

▲ PRZESTROGA: Gdy narzędzie nie jest używane, należy zawsze ustawić dźwignię przełącznika zmiany kierunku obrotów w położeniu neutralnym.

Omawiane narzędzie jest wyposażone w przełącznik umożliwiający zmianę kierunku obrotów. W celu uzyskania obrotów w prawą stronę należy wcisnąć dźwignię przełącznika zmiany kierunku obrotów po stronie A, natomiast aby uzyskać obroty w lewą stronę, należy wcisnąć dźwignię przełącznika po stronie B.

Gdy dźwignia przełącznika obrotów wstecznych znajduje się w położeniu neutralnym, spust przełącznika jest zablokowany.

► **Rys.9:** 1. Dźwignia przełącznika zmiany kierunku obrotów

Funkcja automatycznej zmiany prędkości




Narzędzie to może pracować w „trybie wysokiej prędkości” oraz w „trybie wysokiego momentu”.

Narzędzie zmienia automatycznie tryb pracy w zależności od obciążenia. Przy niskim obciążeniu narzędzie działa w „trybie wysokiej prędkości” i umożliwia szybsze wykonanie zadania. Przy wysokim obciążeniu narzędzie działa w „trybie wysokiego momentu” i pracuje z większą siłą.

► **Rys.10:** 1. Wskaźnik trybu

Kiedy narzędzie działa w „trybie wysokiego momentu”, wskaźnik trybu świeci na zielono.

W razie przeciążenia narzędzia wskaźnik trybu miga na zielono. Po spadku obciążenia narzędzia wskaźnik trybu przestaje migać, a następnie zapala się lub gaśnie.

| Stan wskaźnika trybu | | | Tryb pracy |
|---|---|---------------------------------------|----------------------------|
| <input checked="" type="radio"/> Włączony | <input type="radio"/> Wyłączony | <input checked="" type="radio"/> Miga | |
| |  | | Tryb wysokiej prędkości |
| |  | | Tryb wysokiego momentu |
| |  | | Ostrzeżenie o przeciążeniu |

Zmiana prędkości

UWAGA: Przełącznika zmiany prędkości można użyć tylko po całkowitym zatrzymaniu narzędzia. Zmiana prędkości przed zatrzymaniem się narzędzia grozi jego uszkodzeniem.

UWAGA: Przełącznik zmiany prędkości należy zawsze ustawiać starannie w wybranej pozycji. W przypadku uruchomienia narzędzia przy przełączniku zmiany prędkości ustawionym w połowie między pozycją 1 a 2 może dojść do uszkodzenia narzędzia.

Za pomocą przełącznika zmiany prędkości można wybrać jeden z dwóch zakresów prędkości obrotowej. Aby zmienić prędkość, należy nacisnąć przycisk blokady i obrócić przełącznik zmiany prędkości tak, aby wskaźnik wskazywał pozycję 1 oznaczającą niską prędkość albo pozycję 2 oznaczającą wysoką prędkość.

► **Rys.11:** 1. Przycisk blokady 2. Wskaźnik 3. Przełącznik zmiany prędkości

Ogranicznik momentu obrotowego

Ogranicznik momentu obrotowego włącza się z chwilą osiągnięcia określonego momentu obrotowego przy wybranej niskiej prędkości (pozycja 1). W takiej sytuacji silnik zostaje odłączony od wałka napędu. Powoduje to zatrzymanie obrotów końcówki narzędzia.

Aby ponownie uruchomić narzędzie, unieść końcówkę narzędzia nad otwór, a następnie pociągnąć za spust przełącznika.

Funkcja zapobiegająca przypadkowemu uruchomieniu

Funkcja blokady spustu przełącznika zapobiega przypadkowemu uruchomieniu. Narzędzie nie uruchomi się, jeśli główny przycisk zasilania zostanie naciśnięty, podczas gdy pociągany jest spust przełącznika. Aby ponownie uruchomić narzędzie, należy zwolnić spust przełącznika, a następnie pociągnąć za niego ponownie.

Funkcja regulacji elektronicznej

Narzędzie jest wyposażone w następujące funkcje regulacji elektronicznej ułatwiające jego obsługę.

Hamulec elektryczny

Narzędzie jest wyposażone w hamulec elektryczny. Jeśli narzędzie często nie zatrzymuje się po zwolnieniu spustu przełącznika, należy zlecić naprawę narzędzia serwisowi firmy Makita.

Funkcja łagodnego rozruchu

Ta funkcja umożliwia płynne uruchomienie narzędzia poprzez ograniczenie momentu obrotowego podczas rozruchu.

Otwór na pasek

⚠️ OSTRZEŻENIE: Otworu na pasek nie należy używać do żadnych innych celów niż wieszanie narzędzia lub zabezpieczenie narzędzia przed kradzieżą. W przeciwnym razie może dojść do powstania obrażeń.

► **Rys.12:** 1. Otwór na pasek

MONTAŻ

Wkładanie i wyjmowanie akumulatora

⚠️ PRZESTROGA: Przed włożeniem lub wyjęciem akumulatora należy zawsze wyłączyć narzędzie.

⚠️ PRZESTROGA: Podczas wkładania lub wyjmowania akumulatora należy mocno trzymać narzędzie i akumulator. W przeciwnym razie mogą się one wyslizgnąć z rąk, powodując uszkodzenie narzędzia lub akumulatora i obrażenia ciała.

► **Rys.13:** 1. Czerwony wskaźnik 2. Przycisk 3. Akumulator

Aby wyjąć akumulator, przesuń przycisk znajdujący się w przedniej jego części i wysuń akumulator.

Aby włożyć akumulator, wyrównać występ na akumulatorze z rowkiem w obudowie i wsunąć go na swoje miejsce. Akumulator należy wsunąć do oporu, aż się zatrzaśnie na miejscu, co jest sygnalizowane delikatnym kliknięciem. Jeśli jest widoczny czerwony wskaźnik pokazany na rysunku, akumulator nie został całkowicie zablokowany.

⚠️ PRZESTROGA: Akumulator należy włożyć do końca, tak aby czerwony wskaźnik nie był widoczny. W przeciwnym razie może przypadkowo wypaść z narzędzia, powodując obrażenia operatora lub osób postronnych.

⚠️ PRZESTROGA: Nie wkładać akumulatora na siłę. Jeśli akumulator nie daje się swobodnie wsunąć, oznacza to, że został włożony nieprawidłowo.

Mocowanie wiertła spiralnego

⚠️ PRZESTROGA: Przed przystąpieniem do prac konserwacyjnych przy narzędziu upewnić się, że jest ono wyłączone, a akumulator został wyjęty.

⚠️ PRZESTROGA: Podczas mocowania wiertła spiralnego na wrzecionie należy upewnić się, że kołek wiertła jest zablokowany, i sprawdzić, czy nie jest uszkodzony.

⚠️ PRZESTROGA: Podczas przenoszenia narzędzia wyjąć z niego wiertło spiralne.

Mocowanie wiertła spiralnego na wrzecionie

WSKAZÓWKA: Kształt i mechanizm wiertła spiralnego i kołka wiertła może różnić się w zależności od wiertła.

Wyrównać otwór we wrzecionie z otworem w wiertle spiralnym.

Założyć wiertło spiralne na wrzeciono.

► **Rys.14:** 1. Wiertło spiralne 2. Wrzeciono

Przymocować wiertło spiralne przy użyciu kołka wiertła i blokady bezpieczeństwa.

► **Rys.15:** 1. Kołek wiertła 2. Blokada bezpieczeństwa

OBSŁUGA

⚠️ PRZESTROGA: Narzędzie jest wyposażone w napęd o dużej mocy, który generuje wysoki moment obrotowy. Ważne jest, aby mocno trzymać i odpowiednio zaprzeć narzędzie.

⚠️ PRZESTROGA: Przed rozpoczęciem pracy należy upewnić się, że w otworach i ruchomych częściach nie ma zanieczyszczeń (piasek, brud itd.).

Pozycja podczas pracy

Utrzymanie prawidłowej pozycji podczas pracy to jedna z najważniejszych i najskuteczniejszych procedur kontroli odrzutu.

Utrzymywać prawidłową pozycję, wykonując czynności opisane w kolejnych punktach.

- Ustawić narzędzie w taki sposób, aby drążek elementu stabilizującego zawsze stykał się z lewą stroną pasa operatora.
- Trzymać uchwyt górny i rękojeść boczną obiema rękami. Zaciskać palce w miejscach chwytania, obejmując obszary chwytania kciukiem i palcem wskazującym.
- Utrzymywać maksymalnie wyprostowane plecy, w razie potrzeby zginając nogi podczas kopania.
- Należy zachować czujność co do odrzutu narzędzia. Zawsze należy utrzymywać pozycję, która umożliwi zapanowanie nad odrzutem spowodowanym momentem obrotowym.

► **Rys.16:** 1. Uchwyt górny 2. Rękojeść boczna 3. Drążek elementu stabilizującego

⚠️ OSTRZEŻENIE: Unikać nieprawidłowych pozycji. Nie stać zbyt daleko od narzędzia. Może to uniemożliwić odpowiednią reakcję i kontrolę w przypadku odrzutu.

► **Rys.17**

Operacja kopania

⚠ PRZESTROGA: Podczas pracy mocno trzymać narzędzie.

⚠ PRZESTROGA: W trakcie pracy twarz i dłonie należy trzymać z dala od elementów przeznaczonych do wiercenia (np. wiertła spiralnego), obracających się części i odpadów powstałych podczas wiercenia.

⚠ PRZESTROGA: W czasie gdy narzędzie nie jest używane, na przykład podczas przerwy, nie należy pozostawiać go wbitego w ziemię ani opierać o ścianę. Przechowywać narzędzie w stabilnych warunkach.

UWAGA: W przypadku drastycznego spadku prędkości obrotowej należy zredukować obciążenie lub wyłączyć narzędzie, aby nie dopuścić do jego uszkodzenia.

UWAGA: Wywieranie nadmiernego nacisku na narzędzie nie przyspiesza kopania. W praktyce, wywieranie nadmiernego nacisku przyczynia się jedynie do uszkodzenia końcówki wiertła spiralnego, zmniejszenia wydajności i skrócenia okresu eksploatacyjnego narzędzia.

UWAGA: Unikać kopania w materiałach, co do których podejrzewa się, że zawierają ukryte gwoździe lub inne przedmioty mogące spowodować zakleszczenie lub złamanie wiertła spiralnego.

UWAGA: Jeśli narzędzie było używane bez przerwy aż do rozładowania akumulatora, należy je odstawić na 15 minut przed podjęciem pracy na nowo z użyciem innego, naładowanego akumulatora.

- Należy wybrać właściwą prędkość (wysoką/niską) zależnie od średnicy dziury i stanu podłoża.
- W przypadku kopania głębokiej dziury lub kopania w gliniastej glebie nie należy wykonywać operacji kopania przy jednym podejściu. Wykopać dziurę, unosząc i opuszczając narzędzie, aby umożliwić odprowadzenie gleby z dziury.
- Jeśli prędkość obrotowa narzędzia spada z powodu pracy pod dużym obciążeniem, należy lekko unieść narzędzie w górę i poruszać nim w górę i w dół, aby wykonywać operację kopania małymi krokami.

Podczas obrotów wiertła spiralnego do tyłu

Zakleszczone wiertło spiralne można łatwo wyjąć, zmieniając kierunek obrotów i wyciągając wiertło. Gdy wiertło obraca się do tyłu, należy zaprzeczyć narzędzie o ciało tak, by nie wyrwało się w kierunku zgodnym z ruchem wskazówek zegara.

► Rys.18

⚠ PRZESTROGA: Narzędzie należy trzymać mocno i pewnie. Narzędzie może się gwałtownie cofnąć i spowodować obrażenia ciała.

KONSERWACJA

⚠ PRZESTROGA: Przed przystąpieniem do przeglądu narzędzia lub jego konserwacji upewnić się, że jest ono wyłączone, a akumulator wyjęty.

UWAGA: Nie stosować benzyny, rozpuszczalników, alkoholu itp. środków. Mogą one powodować odbarwienia, odkształcenia lub pęknięcia.

W celu zachowania odpowiedniego poziomu BEZPIECZENSTWA i NIEZAWODNOŚCI produktu wszelkie naprawy i różnego rodzaju prace konserwacyjne lub regulacje powinny być przeprowadzane przez autoryzowany lub fabryczny punkt serwisowy narzędzi Makita, zawsze z użyciem oryginalnych części zamiennych Makita.

AKCESORIA OPCJONALNE

⚠ PRZESTROGA: Zaleca się stosowanie wymienionych akcesoriów i przystawek razem z narzędziem Makita opisanym w niniejszej instrukcji. Stosowanie innych akcesoriów lub przystawek może być przyczyną obrażeń ciała. Akcesoria lub przystawki należy wykorzystywać tylko zgodnie z ich przeznaczeniem.

W razie potrzeby wszelkiej pomocy i szczegółowych informacji na temat niniejszych akcesoriów udzielią Państwu lokalne punkty serwisowe Makita.

- Wiertła spiralne
- Zestaw uchwyty
- Przedłużka wiertła spiralnego
- Oryginalny akumulator i ładowarka firmy Makita

WSKAZÓWKA: Niektóre pozycje znajdujące się na liście mogą być dołączone do pakietu narzędziowego jako akcesoria standardowe. Mogą to być różne pozycje, w zależności od kraju.

RÉSZLETES LEÍRÁS

| | | |
|------------------------------|----------|--|
| Típus: | | DDG461 |
| Üresjárat fordulatszám | Magas | 0 - 1 400 min ⁻¹ |
| | Alacsony | 0 - 350 min ⁻¹ |
| Fúrási teljesítmény (Átmérő) | Magas | Homokos talaj esetén: ø60 mm Agyagos talaj esetén: ø60 mm |
| | Alacsony | Homokos talaj esetén: ø200 mm Agyagos talaj esetén: ø150 mm |
| Teljes hossz | | 840 mm ⁻¹ |
| Névleges feszültség | | 36 V, egyenáram |
| Nettó tömeg | | 7,0 - 7,6 kg |

⁻¹ Oldalfogantyúval

- Folyamatos kutató- és fejlesztőprogramunk eredményeként az itt felsorolt tulajdonságok figyelmeztetés nélkül megváltozhatnak.
- A tulajdonságok országról országra különbözhetnek.
- A súly a felszerelt tartozékoktól függően változhat, az akkumulátort is beleértve. Az EPTA 01/2014 eljárás szerint meghatározott legnehezebb, illetve legkönnyebb kombináció a táblázatban látható.

Alkalmazható akkumulátorok és töltők

| | |
|-------------|---|
| Akkumulátor | BL1815N / BL1820B / BL1830B / BL1840B / BL1850B / BL1860B |
| Töltő | DC18RC / DC18RD / DC18RE / DC18SD / DC18SE / DC18SF / DC18SH / DC18WC |

- Lakóhelyétől függően előfordulhat, hogy a fent felsorolt akkumulátorok és töltők nem érhetőek el.

▲ FIGYELMEZTETÉS: Csak a fentiekben felsorolt akkumulátorokat és töltőket használja. Bármilyen más akkumulátor vagy töltő használata sérüléseket és/vagy tüzet okozhat.

Ajánlott kábellel csatlakoztatott áramforrás

| | |
|----------------------|-----------------|
| Hordozható tápegység | PDC01 / PDC1200 |
|----------------------|-----------------|

- Lakóhelyétől függően előfordulhat, hogy a fent felsorolt kábellel csatlakoztatott áramforrás(ok) nem érhető(k) el.
- A kábellel csatlakoztatott áramforrás használata előtt olvassa el az utasításokat és a figyelmeztető jeleket.

Rendeltetés

A szerszám talaj fúrására használható.

Zaj

A tipikus A-súlyozású zajszint, az EN62841-2-1 szerint meghatározva:

Rendeltetésszerű használat alapján mérve

Hangnyomásszint (L_{pA}): 84 dB(A)

Hangteljesítményszint (L_{WA}): 95 dB(A)

Bizonytalanság (K): 3 dB(A)

MEGJEGYZÉS: A zajkibocsátás értéke a szabványos vizsgálati eljárásnak megfelelően lett mérve, és segítségével az elektromos kéziszerszámok összehasonlíthatók egymással.

MEGJEGYZÉS: A zajkibocsátás értékének segítségével előzetesen megbecsülhető a rezgésnek való kitettség mértéke.

▲ FIGYELMEZTETÉS: Viseljen fülvédőt!

▲ FIGYELMEZTETÉS: A szerszám zajkibocsátása egy adott alkalmazásnál eltérhet a megadott értéktől a használat módjától, különösen a feldolgozott munkadarab fajtájától függően.

▲ FIGYELMEZTETÉS: Határozza meg a kezelő védelmét szolgáló munkavédelmi lépéseket, melyek az adott munkafeltételek melletti vibrációs hatás becsült mértékén alapulnak (figyelembe véve a munkaciklus elemeit, mint például a gép leállításának és üresjáratának mennyiségét az elindítások száma mellett).

Vibráció

A vibráció teljes értéke (háromtengelyű vektorösszeg) az EN62841-1 szerint meghatározva:

Rendeltetésszerű használat alapján mérve

Rezgés kibocsátás ($a_{h,D}$): 2,5 m/s² vagy kisebb

Bizonytalanság (K): 1,5 m/s²

MEGJEGYZÉS: A rezgés teljes értéke a szabványos vizsgálati eljárásnak megfelelően lett mérve, és segítségével az elektromos kéziszerszámok összehasonlíthatók egymással.

MEGJEGYZÉS: A rezgés teljes értékének segítségével előzetesen megbecsülhető a rezgésnek való kitettség mértéke.

▲FIGYELMEZTETÉS: A szerszám rezgés kibocsátása egy adott alkalmazásnál eltérhet a megadott értéktől a használat módjától, különösen a feldolgozott munkadarab fajtájától függően.

▲FIGYELMEZTETÉS: Határozza meg a kezelő védelmét szolgáló munkavédelmi lépéseket, melyek az adott munkafeltételek melletti vibrációs hatás becslött mértékén alapulnak (figyelembe véve a munkaciklus elemeit, mint például a gép leállításának és üresjáratának mennyiségét az elindítások száma mellett).

Megfelelőségi nyilatkozatok

Csak európai országokra vonatkozóan

A megfelelőségi nyilatkozatok a jelen használati kézikönyv „A” mellékletében található.

BIZTONSÁGI FIGYELMEZTETÉS

A szerszámgépekre vonatkozó általános biztonsági figyelmeztetések

▲FIGYELMEZTETÉS Olvassa el a szerszámgéphez mellékelt összes biztonsági figyelmeztetést, utasítást, illusztrációt és a műszaki adatokat. A következőkben leírt utasítások figyelmen kívül hagyása elektromos áramütést, tüzet és/vagy súlyos sérülést eredményezhet.

Őrizzen meg minden figyelmeztetést és utasítást a későbbi tájékozódás érdekében.

A figyelmeztetésekben szereplő "szerszámgép" kifejezés az Ön hálózatról (vezetékes) vagy akkumulátorról (vezeték nélküli) működtetett szerszámgépre vonatkozik.

Akkumulátoros földfúróra vonatkozó biztonsági figyelmeztetések

1. **Tartsa a szerszámot mindkét kezével a fogantyúinál fogva.** Az irányítás elvesztése személyi sérülést okozhat.
2. **Használat előtt támassza meg megfelelően a szerszámot.** Ez a szerszám nagy kimeneti nyomtatékok generál, és ha nem támassza meg megfelelően a szerszámot, előfordulhat, hogy elveszíti az irányítást, és az személyi sérülést okozhat.

3. **A szerszámgépet a szigetelt markolási felületénél fogva tartsa, ha olyan műveletet végez, melynek során a fúró rejtett vezetékekbe ütközhet.** Ha a fúró áram alatt lévő vezetékekkel érintkezik, az elektromos szerszám fém alkatrészei is áram alá kerülhetnek, és megrázzhatják a kezelőt.
4. **Soha ne működtesse nagyobb sebességen, mint a földfúrófej maximális sebességi besorolása.** Nagyobb sebességeknél a fúróhegy elhajolhat, ha engedik szabadon, a munkadarab érintése nélkül forogni, és ez személyi sérülést okozhat.
5. **Mindig kis sebességen kezdjen fúrnival, és úgy, hogy a földfúrófej érintkezzen a talajjal.** Nagyobb sebességeknél a fej elhajolhat, ha engedik szabadon, a talaj érintése nélkül forogni, és ez személyi sérülést okozhat.
6. **Csak a fúróhegy egyenes vonalában alkalmazzon nyomást, és ne alkalmazzon túlzott nyomást.** A fúróhegyek elhajolhatnak, ezért eltérhetnek vagy elveszítheti az irányítást, és ez személyi sérülést okozhat.
7. **A fúrófej külső átmérőjének a jelen használati kézikönyvben megadott fúrási teljesítményen belül kell lennie.** A nem megfelelő méretű fúrófej nem lehet megfelelően irányítani.
8. **Mindig stabil helyzetben dolgozzon.** A szerszám magasban történő használatkor győződjön meg arról, hogy nem tartózkodik-e valaki odalent.
9. **Biztosan tartsa a szerszámot.**
10. **Ne nyúljon a forgó részekhez.**
11. **Ne hagyja a működő szerszámot felügyelet nélkül.** Csak kézben tartva használja a szerszámot.
12. **Ne érjen a fúrófejhez közvetlenül a munkavégzést követően;** az rendkívül forró lehet, és megegyezheti a bőrét.
13. **Egyes anyagok mérgező vegyületet tartalmazhatnak.** Gondoskodjon a por belélegzése elleni és érintés elleni védelemről. Tartsa be az anyag szállítójának biztonsági utasításait.
14. **Ha a fúrófejet akkor sem lehet kilazítani, ha kiveszi a csapszeget, akkor fogóval húzza ki.** Ebben az esetben a fúrófej kézzel történő kihúzása sérülést okozhat az éles szélek miatt.
15. **Ha valami gond van a szerszámmal, például rendellenes hangokat ad ki, állítsa le azonnal a használatát, és javításért forduljon a helyi Makita szervizközpontozhoz.**
16. **Használat előtt ellenőrizze, nincsenek-e rejtett tárgyak, mint például elektromos csövek, vízcsövek vagy gázcsövek a talajban.** Máskülönbben a szerszám megérinthezi azokat, és az áramütést, elektromos szivárgást vagy gázszivárgást okozhat.

ŐRIZZE MEG EZEKET AZ UTASÍTÁSOKAT.

▲FIGYELMEZTETÉS: NE HAGYJA, hogy (a termék többszöri használatából eredő) kényelem és megszokás váltsa fel a termék biztonsági előírásainak szigorú betartását. A **HELYTELEN HASZNÁLAT** és a használati útmutatóban szereplő biztonsági előírások megszegése súlyos személyi sérülésekhez vezethet.

Fontos biztonsági utasítások az akkumulátorra vonatkozóan

- Az akkumulátor használata előtt tanulmányozza át az akkumulátortöltőt (1), az akkumulátoron (2) és az akkumulátorral működtetett terméken (3) olvasható összes utasítást és figyelmeztető jelzést.**
- Ne szerelje szét, és ne módosítsa az akkumulátort.** Tűzet, túlzott hőt vagy robbanást okozhat.
- Ha a működési idő nagyon lerövidült, azonnal hagyja abba a használatot. Ez a túlmelegedés, esetleges égések és akár robbanás veszélyével is járhat.**
- Ha elektrolit kerül a szemébe, mossa ki azt tiszta vízzel és azonnal kérjen orvosi segítséget. Ez a látásának elvesztését okozhatja.**
- Ne zárja rövidre az akkumulátort:**
 - Ne érjen az érintkezőkhöz elektromosan vezető anyagokkal.**
 - Ne tárolja az akkumulátort más fémtárgyakkal, mint pl. szegekkel, érmékkel, stb. egy helyen.**
 - Ne tegye ki az akkumulátort víznek vagy esőnek.**

Az akkumulátor rövidzárlata nagy áramerősséget, túlmelegedést, égéseket, sőt akár meghibásodást is okozhat.
- Ne tárolja és használja a szerszámot vagy az akkumulátort olyan helyen, ahol a hőmérséklet elérheti vagy meghaladhatja az 50 °C-t (122 °F).**
- Ne égesse el az akkumulátort még akkor sem, ha az komolyan megsérült vagy teljesen elhasználódott. Az akkumulátor a tűzben felrobbanhat.**
- Ne szúrja meg, ne vágja meg, ne törje össze, ne dobja el és ne ejtse le az akkumulátort, illetve ne üsse hozzá kemény tárgyhöz. Az ilyen magatartás tűzet, túlzott hőt vagy robbanást okozhat.**
- Ne használjon sérült akkumulátort.**
- A készülékben található lítium-ion akkumulátorokra a veszélyes árukkal kapcsolatos előírások vonatkoznak.**

A termék pl. harmadik felek, fuvarozó cégek stb. által történő szállítás esetén minden esetben tartsa szem előtt a csomagoláson és a címkén található speciális követelményeket.

A termék szállításra történő felkészítése esetén vegye fel a kapcsolatot egy veszélyes anyagokkal foglalkozó szakemberrel. Kérjük, hogy az esetlegesen szigorúbb nemzeti előírásokat is vegye figyelembe.

Ragasza le a kiálló érintkezőket, illetve oly módon csomagolja be az akkumulátort, hogy az ne tudjon elmozdulni a csomagolásban.
- Az akkumulátor ártalmatlanításakor vegye ki azt a szerszámból, és ártalmatlanítsa egy biztonságos helyen. Az akkumulátor ártalmatlanításakor tartsa be a helyi előírásokat.**

- Az akkumulátorokat csak a Makita által megjelölt termékekhez használja.** Ha az akkumulátorokat azokkal nem kompatibilis termékekbe helyezi, az tűzhoz, túlmelegedéshez, robbanáshoz vagy elektroliszivárgáshoz vezethet.
- Ha a szerszám hosszabb ideig nincs használatban, az akkumulátort ki kell venni a szerszámból.**
- Használat közben és után az akkumulátor felforrósodhat, ami égési sérülést vagy alacsony hőmérsékletű égési sérülést okozhat. Figyeljen oda a forró akkumulátor kezelésére.**
- Ne érintse meg közvetlenül a szerszám érintkezőjét, mert elég forró lehet ahhoz, hogy égési sérüléseket okozzon.**
- Ne engedje, hogy forgács, por vagy sár tapadjon az akkumulátor érintkezőire, lyukaiba és hornyaiiba. Az felmelegedést, tűzet, robbanást és a szerszám vagy az akkumulátor meghibásodását okozhatja, ami égési és személyi sérülésekhez vezet.**
- Hacsak a szerszám nem támogatja a nagyfeszültségű elektromos vezetékek közelében történő használatot, ne használja az akkumulátor nagyfeszültségű elektromos vezetékek közelében. Az a szerszám vagy az akkumulátor hibás működését vagy meghibásodását okozhatja.**
- Tartsa távol a gyermekektől az akkumulátort.**

ŐRIZZE MEG EZEKET AZ UTASÍTÁSOKAT.

▲VIGYÁZAT: Csak eredeti Makita akkumulátorokat használjon. A nem eredeti Makita akkumulátorok vagy módosított akkumulátorok használata esetén az akkumulátor felrobbanhat, ami tűzet, személyi sérülést és anyagi kárt okozhat. A Makita szerszámra és töltőre vonatkozó Makita garanciát is érvénytelenítheti.

Tippek az akkumulátor maximális élettartamának eléréséhez

- Töltse fel az akkumulátort, mielőtt teljesen lemerülne. Állítsa le a gépet, és töltse fel az akkumulátort, ha a gép erejének csökkenését észleli.**
- Soha ne töltse újra a teljesen feltöltött akkumulátort. A túltöltés csökkenti az akkumulátor élettartamát.**
- Töltse az akkumulátort szobahőmérsékleten, 10 °C - 40 °C (50 °F - 104 °F) között. Töltés előtt hagyja lehűlni a fölforrósodott akkumulátort.**
- Ha nem használja az akkumulátort, vegye ki a szerszámból vagy a töltőből.**
- Töltse fel az akkumulátort, ha hosszabb ideje (több mint hat hónapja) nem használta azt.**

KEZDETI BEÁLLÍTÁS

⚠ VIGYÁZAT: Minden esetben ellenőrizze, hogy a szerszám ki van kapcsolva és az akkumulátort levette, mielőtt bármilyen műveletet végez a szerszámon.

ALKATRÉSZEK LEÍRÁSA

► Ábra1

| | | | |
|---|---------------|---|-----------------|
| 1 | Fő szerszám | 2 | Elülső fogantyú |
| 3 | Oldalfogantyú | 4 | Elfordulásgátló |
| 5 | Csavar | 6 | Villáskulcs |

A csavar/villáskulcs műszaki adatai

| | A csavar normál átmérője | Villáskulcs mérete (H) |
|---|--------------------------|------------------------|
| A | M 12 | 10 mm |
| B | M 8 | 6 mm |
| C | M 6 | 5 mm |

A szerszám beállítása

⚠ VIGYÁZAT: Használat előtt mindig győződjön meg róla, hogy az elülső fogantyú, az oldalfogantyú és az elfordulásgátló biztonságosan rögzítve van.

MEGJEGYZÉS: Ne húzza meg a csavarokat túlságosan. Ez a gép sérülését okozhatja.

Az oldalfogantyú felszerelése

Távolítsa el a szerszámból az ábrán látható csavarokat. Órizz meg a csavarokat, hogy ne vesszenek el.

► **Ábra2:** 1. Csavar

Helyezze az oldalfogantyút a szerszáma.

Húzza meg mind a négy csavart ideiglenesen, majd húzza meg a csavarokat biztonságosan a villáskulccsal.

► **Ábra3:** 1. Oldalfogantyú 2. Csavar A 3. Csavar B

Az elfordulásgátló felszerelése

Helyezze úgy az elfordulásgátlót, hogy az elfordulásgátló rúdja a kezelő bal oldalán legyen.

Az elfordulásgátló helyzetét úgy állítsa be, hogy az orsó tengelye a kezelő testének középpontjában legyen. Húzza meg szorosan a csavarokat.

► **Ábra4:** 1. Az elfordulásgátló rúdja 2. Csavar C

A MŰKÖDÉS LEÍRÁSA










⚠ VIGYÁZAT: Minden esetben ellenőrizze, hogy a szerszám ki van kapcsolva és az akkumulátor eltávolításra került mielőtt beállít vagy ellenőriz valamelyen funkciót a szerszámon.

Az akkumulátor töltöttségének jelzése

Csak állapotjelzős akkumulátorok esetén

► **Ábra5:** 1. Jelzőlámpák 2. Check (ellenőrzés) gomb

Nyomja meg az ellenőrzőgombot, hogy az akkumulátor-töltöttség-jelző megmutassa a hátralévő akkumulátor-kapacitást. Ekkor a töltöttségint-jelző lámpák néhány másodpercre kigyulladnak.

| Jelzőlámpák | | | Töltöttségi szint |
|--|--|---|--|
|  Világító lámpa |  KI |  Villogó lámpa | |
|  | | | 75%-tól 100%-ig |
|  | | | 50%-tól 75%-ig |
|  | | | 25%-tól 50%-ig |
|  | | | 0%-tól 25%-ig |
|  | | | Töltse fel az akkumulátort. |
|  | | | Lehetséges, hogy az akkumulátor meghibásodott. |

MEGJEGYZÉS: Az adott munkafeltételektől és a környezet hőmérsékletétől függően a jelzett töltöttségi szint némileg eltérhet a tényleges töltöttségi szinttől.

MEGJEGYZÉS: Az első (bal oldali szélső) jelzőlámpa villog, ha az akkumulátorvédő rendszer működik.

Szerszám-/akkumulátorvédő rendszer

A gép szerszám-/akkumulátorvédő rendszerrel van felszerelve. A rendszer automatikusan kikapcsolja a motor áramellátását, így megnöveli a szerszám és az akkumulátor élettartamát. A gép használat közben automatikusan leáll, ha a szerszám vagy az akkumulátor a következő állapotok valamelyikébe kerül:

Túlterhelésvédelem

Ha a szerszámot/akkumulátort úgy használják, hogy az rendellenesen nagy áramot vesz fel, a szerszám automatikusan leáll. Ilyenkor kapcsolja ki a gépet, és fejezze be azt a műveletet, amelyik a túlterhelést okozta. A munka újraindításához kapcsolja be a gépet.

Túlmelegedés elleni védelem

Ha a szerszám/akkumulátor túlmelegedett, automatikusan leáll. Ilyenkor hagyja lehűlni a szerszámot/akkumulátort, mielőtt ismét bekapcsolná.

Mélykisütés elleni védelem

Amikor az akkumulátor kapacitása már alacsony, a gép automatikusan leáll. Ebben az esetben távolítsa el az akkumulátort a szerszámból és töltsse fel.

Egyéb okok elleni védelem

A védelmi rendszert más olyan okok ellen is tervezték, amelyek károsíthatják a szerszámot és amelyek lehetővé teszik, hogy a szerszám automatikusan leálljon. Hajtja végre az alábbi összes lépést az okok tisztázása érdekében, ha a szerszám ideiglenesen vagy teljesen leállt.

1. Kapcsolja ki a szerszámot, majd kapcsolja be ismét az újraindításhoz.
2. Töltsse fel az akkumulátor(oka)t vagy cserélje ki azt/azokat újratöltött akkumulátorral.
3. Hagyja, hogy a szerszám és az akkumulátor(ok) lehűljenek.

Ha nem történik javulás a védelmi rendszer helyreállítása után sem, forduljon a helyi Makita Szervizközponthoz.

Főkapcsoló

FIGYELMEZTETÉS: Ha a szerszámot nem használja, kapcsolja ki a szerszámot, és a kapcsológomb reteszeléséhez állítsa a forgásirányváltó kapcsolókat semleges helyzetbe. Mindig győződjön meg arról, hogy a főkapcsoló fénye kialszik, miután kikapcsolta a szerszámot.

A készenléti állapot aktiválásához tartsa nyomva a főkapcsolót, amíg a főkapcsoló fénye világítani nem kezd. A kikapcsoláshoz nyomja meg ismét a főkapcsolót.

► **Ábra6:** 1. Főkapcsoló gomb 2. Főkapcsoló fénye

MEGJEGYZÉS: Ez a szerszám automatikus kikapcsolási funkcióval rendelkezik. Hogy elkerülhesse a szerszám véletlen beindítását, a főkapcsoló automatikusan leállítja a szerszámot, ha a kapcsológombot nem húzzák meg megközelítőleg 5 percre a főkapcsoló bekapcsolása után.

A kapcsoló használata

VIGYÁZAT: Mielőtt behelyezi az akkumulátort a szerszámba, mindig ellenőrizze, hogy a kapcsológomb hibátlanul működik és felengedéskor „OFF” állásba áll-e.

► **Ábra7:** 1. Kapcsológomb

A szerszám beindításához húzza meg a kapcsológombot a tápfeszültség-kapcsoló bekapcsolt állapotában. Ha erősebben nyomja a kapcsológombot, a szerszám fordulatszáma növekszik. A megállításához engedje el a kapcsológombot.

MEGJEGYZÉS: A szerszám automatikusan megáll, ha a kapcsológombot 6 percre keresztül folyamatosan húzza.

Az első lámpa bekapcsolása

VIGYÁZAT: Ne tekintsen a fénybe vagy ne nézze egyenesen a fényforrást.

► **Ábra8:** 1. Lámpa

Húzza meg a kapcsológombot a lámpa bekapcsolásához. A lámpa addig világít, amíg a kapcsológomb meg van húzva. A lámpa a kapcsológomb elengedése után 10 másodperccel alszik ki.

MEGJEGYZÉS: Ha a szerszám túlmelegszik, akkor automatikusan leáll, és a lámpa villogni kezd. Ilyen esetben engedje fel a kapcsológombot. A lámpa 5 perc múlva kialszik.

MEGJEGYZÉS: Száraz ruhadarabbal törölje le a szennyeződést a lámpa lencséről. Ügyeljen arra, hogy ne karcolja meg a lámpa lencsét, ez csökkentheti a megvilágítás erősségét.

Forgásirányváltó kapcsolókar működése

VIGYÁZAT: Használat előtt mindig ellenőrizze a beállított forgásirányt.

VIGYÁZAT: A forgásirányváltó kapcsolókat csak azután használja, hogy a szerszám teljesen megállt. A forgásirány megváltoztatása a szerszám leállása előtt a gép károsodását okozhatja.

VIGYÁZAT: Amikor nem működteti a szerszámot, a forgásirányváltó kapcsolókat mindig állítsa a semleges állásba.

Ez a szerszám forgásirányváltó kapcsolókkal van felszerelve a forgásirány megváltoztatásához. Váltsa át a forgásirányváltó kapcsolókat az A oldalról az óramutató járásával megegyező vagy a B oldalról az azzal ellentétes irányú forgáshoz.

Ha a forgásirányváltó kapcsolókat semleges pozícióban van, a kapcsolókat nem lehet behúzni.

► **Ábra9:** 1. Forgásirányváltó kapcsolókar

Automatikus sebességváltó funkció



A szerszám „magas fordulatszámú módban” és „nagy nyomatékú módban” is képes működni.

A szerszám a terhelés függvényében automatikusan vált az üzemmódok között. Ha a terhelés kicsi, a szerszám „magas fordulatszámú módban” működik, így gyors működést tesz lehetővé. Ha a terhelés nagy, a szerszám „nagy nyomatékú módban” működik, így nagy teljesítményű működést tesz lehetővé.

► **Ábra10:** 1. Üzem mód-visszajelző

Amikor a szerszám „nagy nyomatékú módban” üzemel, az üzemmód-visszajelző zölden világít.

Ha a szerszámot túl nagy terhelés mellett működtetik, a üzemmód-visszajelző zölden villogni kezd. Ha csökkent a szerszám terhelését, az üzemmód-visszajelző abba-hagyja a villogást, és világítani kezd vagy kikapcsol.

| Az üzemmód-visszajelző állapota | | | Üzem mód |
|---------------------------------|---|-----------------|-----------------------------|
| ● Be | ○ Ki | ● Villogó lámpa | |
| |  | | Magas fordulatszámú mód |
| |  | | Nagy nyomatékú mód |
| |  | | Túlterhelési figyelmeztetés |

Sebességváltás

MEGJEGYZÉS: A sebességváltó kapcsolót csak azután használja, hogy a szerszám teljesen megállt. A szerszám megrongálódhat, ha sebességet a szerszám leállása előtt vált.

MEGJEGYZÉS: A sebességváltó kapcsolót mindig óvatosan a megfelelő helyzetbe állítsa. Ha a szerszámot úgy működteti, hogy a sebességváltó kapcsoló féltúton áll az „1” és a „2” pozíció között, az a szerszám károsodását okozhatja.

A sebességváltó kapcsoló segítségével két sebesség-tartományt lehet előválasztani.

Sebességváltáshoz nyomja meg a reteszelőgombot, és fordítsa úgy a sebességváltó kapcsolót, hogy a mutató kis sebességhez az „1”, nagy sebességhez pedig a „2” pozícióra mutasson.

► **Ábra11:** 1. Reteszelőgomb 2. Mutató
3. Sebességváltó kapcsoló

Nyomatékhataroló

A nyomatékhataroló akkor aktiválódik, ha kis sebességre beállításnál (1 pozíció) bizonyos nyomatékszintet elérünk. A motor lekapcsolódik a kimenőtengelyről. Ha ez történik, a szerszám hegyének forgása megáll.

A szerszám újraindításához emelje ki a szerszám hegyét a furatból, majd húzza meg újra a kapcsológombot.

Véletlenszerű újraindítást megelőző funkció

A kapcsológombot kizáró funkció a nem szándékos működés megelőzésére. A szerszám nem indul el, ha a kapcsológomb meghúzása közben megnyomja a főkapcsoló gombot.

A szerszám újraindításához engedje el, majd húzza meg újra a kapcsológombot.

Elektronikus funkció

A szerszámot a könnyebb használat érdekében az alábbi elektronikus funkciókkal szerelték fel.

Elektromos fék

A szerszám elektromos fékkel rendelkezik. Ha a szerszámnak rendszeresen nem sikerül gyorsan leállnia a kapcsológomb felengedése után, szervizeltesse a szerszámot a Makita szervizközpontban.

Lágyindítás

A funkció korlátozza az indítási nyomatékot, és ezáltal finom indítást eredményez.

Szij rögzítésére szolgáló lyuk

FIGYELMEZTETÉS: A szij rögzítésére szolgáló lyukat kizárólag a szerszám falra akasztásának céljára vagy a szerszám ellopása ellen használja. Máskülönbent személyi sérülést okozhat.

► **Ábra12:** 1. Szij rögzítésére szolgáló lyuk

ÖSSZESZERELÉS

Az akkumulátor behelyezése és eltávolítása

VIGYÁZAT: Mindig kapcsolja ki az eszközt, mielőtt behelyezi vagy eltávolítja az akkumulátort.

VIGYÁZAT: Az akkumulátor behelyezésekor vagy eltávolításakor erősen fogja meg a szerszámot és az akkumulátort. Ha nem fogja erősen a szerszámot és az akkumulátort, azok kicsúszhatnak a kezei közül, ami a szerszám és az akkumulátor károsodásához, de akár személyi sérüléshez is vezethet.

► **Ábra13:** 1. Piros jel 2. Gomb 3. Akkumulátor

Az akkumulátoregység kivételéhez nyomja be az akkumulátoregység elején található gombot, és húzza le a gépről.

Az akkumulátor beszereléséhez illessze az akkumulátor nyelvét a burkolaton található vátjába, és csúsztassa a helyére. Egészen addig tolja be, amíg az akkumulátor egy kis kattánással a helyére nem ugrik. Ha látható a piros jel az ábrán látható módon, akkor nem kattant be teljesen.

VIGYÁZAT: Mindig tolja be teljesen az akkumulátort, amíg a piros jel el nem tűnik. Ha ez nem történik meg, akkor az akkumulátor kieshet a szerszámból, és Önnek vagy a környezetében másnak sérülést okozhat.

VIGYÁZAT: Ne erőltesse az akkumulátort behelyezésre. Ha az akkumulátor nem csúszik be könnyedén, akkor nem megfelelően lett behelyezve.

A fúrófej felszerelése

VIGYÁZAT: Minden esetben ellenőrizze, hogy a szerszám ki van kapcsolva és az akkumulátort levette, mielőtt bármilyen műveletet végez a szerszámon.

VIGYÁZAT: A fúrófej orsóra történő csatlakoztatásakor ügyeljen arra, hogy a csapszeg le legyen zárva, és vizsgálja meg, hogy a csapszeg nem sérült-e.

VIGYÁZAT: A szerszám szállításakor távolítsa el a fúrófejet a szerszámról.

A fúrófej felszerelése az orsóra

MEGJEGYZÉS: A fúrófej és a csapszeg alakja és mechanizmusa a fúrófejtől függően eltérő lehet.

Igazítsa egy vonalra az orsón lévő furatot és a fúrófejen lévő furatot.

Tegye a fúrófejet az orsóra.

► **Ábra14:** 1. Fúrófej 2. Orsó

Rögzítse a fúrófejet a csapszeggel és a biztonsági zárral.

► **Ábra15:** 1. Csapszeg 2. Biztonsági zár

MŰKÖDTETÉS

⚠VIGYÁZAT: Ez egy erős szerszám, amely nagy nyomatókat generál. Fontos, hogy a szerszámot biztonságosan tartsa és megfelelően megtámassza.

⚠VIGYÁZAT: Működtetés előtt ellenőrizze, hogy nem akad idegen anyag (homok, piszok, stb.) a nyílásokba vagy a mozgó részekbe.

Testtartás munkavégzéskor

A megfelelő működtetési pozíció megtartása az egyik legfontosabb és leghatékonyabb módja a visszarúgás irányításának.

Őrizze meg a helyes pozíciót az alábbi pontok gyakorlásával.

- Helyezze úgy a szerszámot, hogy az elfordulásgátló rúdja mindig hozzáérjen a dereka bal oldalához.
- Ragadja meg mindkét kezével a fogantyút és az oldalfogantyút. Fojtsa az ujjait a fogási területek köré, a fogási területeket a hüvelykujja és a mutatóujja között tartva.
- Tartsa a hátát függőlegesen a lehető legjobban, hajlítsa be a lábait szükség szerint az ásási folyamat során.
- Figyeljen a szerszám nyomatókának visszaható erejére. Mindig olyan működtetési pozíciót tartson, hogy ellen tudjon állni a nyomatók visszaható erejének.

▶ **Ábra16:** 1. Fogantyú 2. Oldalfogantyú 3. Az elfordulásgátló rúdja

⚠FIGYELMEZTETÉS: Kerülje a helytelen pozicionálást. Ne álljon túl messze a szerszámtól. Visszarúgás esetén nem lehet elérni a megfelelő reakciót és irányítást.

▶ **Ábra17**

Ásási művelet

⚠VIGYÁZAT: Használat közben erősen tartsa a szerszámot.

⚠VIGYÁZAT: Tartsa távol az arcát és a kezét a fúrótartozékoktól, úgy mint például a fúrófejtől, bármilyen forgó alkatrésztől és a működés közben keletkező fúróvágási hulladéktól.

⚠VIGYÁZAT: Ha magára hagyja a szerszámot, például egy szünetben, ne hagyja a szerszámot a földre szúrva, illetve ne támassza falnak. Stabil körülmények között tárolja a szerszámot.

MEGJEGYZÉS: Amikor a fordulatszám nagyon lecsökken, csökkentse a terhelést vagy állítsa le a szerszámot, hogy elkerülje annak sérülését.

MEGJEGYZÉS: Ha túlságosan erősen nyomja a szerszámot, azzal nem gyorsítja meg az ásást. Valójában a fölöslegesen nagy nyomás csupán a fúrófej sérüléséhez, a szerszám teljesítményének csökkenéséhez vezet, és lerövidíti a szerszám hasznos élettartamát.

MEGJEGYZÉS: Ne ásson olyan anyagba, amelyről azt gyanítja, hogy rejtett szkeget vagy más tárgyakat tartalmazhat, amelyek a fúrófej beszorulását vagy törését okozhatják.

MEGJEGYZÉS: Ha a szerszámot folyamatosan működteti addig, amíg az akkumulátor teljesen lemerül, pihentesse a szerszámot 15 percig, mielőtt tovább folytatja a munkát egy feltöltött akkumulátorral.

- Válassza ki a megfelelő sebességet (magas/ alacsony) a lyuk átmérőjétől és a talaj állapotától függően.
- Mély lyuk ásásakor vagy agyagos talajban történő ásásakor ne próbálja egyszerre kiásni. A szerszámot fel- és lefelé mozgatva ássa a lyukat, hogy a lyukban lévő talaj kiürülhessen.
- Ha a szerszám fordulatszáma a nagy terhelésű működtetés miatt lecsökken, emelje fel a szerszámot egy kicsit, majd mozgassa a szerszámot fel- és lefelé, hogy kis lépésekben ásson.

A fúrófej fordított irányú forgatásakor

A beszorult fúrófejet egyszerűen el lehet távolítani a forgásirányváltó kapcsolókar ellentétes irányú forgásba kapcsolásával.

Hátramenetben úgy támassza meg a szerszámot a testével, hogy megakadályozza az órajárás irányába történő reakciót.

▶ **Ábra18**

⚠VIGYÁZAT: Tartsa stabilan a gépet. A szerszám hirtelen visszarúghat, és sérülést okozhat.

KARBANTARTÁS

⚠VIGYÁZAT: Minden esetben ellenőrizze, hogy a szerszám ki van kapcsolva és az akkumulátor eltávolításra került mielőtt átvizsgálja a szerszámot vagy annak karbantartását végzi.

MEGJEGYZÉS: Soha ne használjon gázolajt, benzint, hígítót, alkoholt vagy hasonló anyagokat. Ezek elszineződést, alakvesztést vagy repedést okozhatnak.

A termék BIZTONSÁGÁNAK és MEGBÍZHATÓSÁGÁNAK fenntartása érdekében a javításokat és más karbantartásokat vagy beállításokat a Makita hivatalos vagy gyári szervizközpontjában kell elvégezni, mindig csak Makita cserealkatrészeket használva.

OPCIONÁLIS KIEGÉSZÍTŐK

⚠ VIGYÁZAT: Ezen kiegészítőket és tartozékokat javasoljuk a kézikönyvben ismertetett Makita szerszámhoz. Bármilyen más kiegészítő vagy tartozék használata a személyi sérülés kockázatával jár. A kiegészítőt vagy tartozékot csak rendeltetésszerűen használja.

Ha bármilyen segítségre vagy további információkra van szüksége ezekkel a tartozékokkal kapcsolatban, keresse fel a helyi Makita Szervizközpontot.

- Fúrófejek
- Fogantyúkészlet
- A fúrófej hosszabbító rúdja
- Eredeti Makita akkumulátor és töltő

MEGJEGYZÉS: A listán felsorolt néhány kiegészítő megtalálható az eszköz csomagolásában standard kiegészítőként. Ezek országonként eltérőek lehetnek.

TECHNICKÉ ŠPECIFIKÁCIE

| | | |
|-------------------------|---------------|---|
| Model: | | DDG461 |
| Otáčky naprázdno | Vysoké otáčky | 0 – 1 400 min ⁻¹ |
| | Nízke otáčky | 0 – 350 min ⁻¹ |
| Hĺbky vrtania (Priemer) | Vysoké otáčky | Pri piesčitej pôde: ø60 mm Pri ílovej pôde: ø60 mm |
| | Nízke otáčky | Pri piesčitej pôde: ø200 mm Pri ílovej pôde: ø150 mm |
| Celková dĺžka | | 840 mm ⁻¹ |
| Menovité napätie | | Jednosmerný prúd 36 V |
| Čistá hmotnosť | | 7,0 – 7,6 kg |

*1 S bočným držadlom

- Vzhľadom k neustálemu výskumu a vývoju podliehajú technické údaje uvedené v tomto dokumente zmenám bez upozornenia.
- Technické údaje sa môžu pre rôzne krajiny líšiť.
- Hmotnosť sa môže líšiť v závislosti od nastavcov vrátane akumulátora. Najľahšia a najťažšia kombinácia v súlade s postupom EPTA 01/2014 je uvedená v tabuľke.

Použiteľné akumulátory a nabíjačky

| | |
|------------|---|
| Akumulátor | BL1815N / BL1820B / BL1830B / BL1840B / BL1850B / BL1860B |
| Nabíjačka | DC18RC / DC18RD / DC18RE / DC18SD / DC18SE / DC18SF / DC18SH / DC18WC |

- Niektoré vyššie uvedené akumulátory a nabíjačky môžu byť nedostupné v závislosti od miesta vášho bydliska.

VAROVANIE: Používajte iba akumulátory a nabíjačky zo zoznamu uvedeného vyššie. Používanie akýchkoľvek iných akumulátorov a nabíjačiek môže spôsobiť zranenie a/alebo požiar.

Odporúčaný káblom pripájaný napájací zdroj

| | |
|-------------------------|-----------------|
| Prenosný napájací zdroj | PDC01 / PDC1200 |
|-------------------------|-----------------|

- Vyššie uvedené káblom pripájané napájacie zdroje nemusia byť dostupné v závislosti od miesta vášho bydliska.
- Pred použitím káblom pripájaného napájacieho zdroja si prečítajte pokyny a na nich uvedené označenia s upozornením.

Určené použitie

Tento nástroj je určený na vrtanie do pôdy.

Hluk

Typická hladina akustického tlaku záťaže A určená podľa štandardu EN62841-2-1:

Meraná na základe určeného použitia

Úroveň akustického tlaku (L_{pA}): 84 dB (A)

Úroveň akustického tlaku (L_{WA}): 95 dB (A)

Odchýlka (K): 3 dB (A)

POZNÁMKA: Deklarovaná hodnota emisií hluku bola meraná podľa štandardnej skúšobnej metódy a môže sa použiť na porovnanie jedného nástroja s druhým.

POZNÁMKA: Deklarovaná hodnota emisií hluku sa môže použiť aj na predbežné posúdenie vystavenia účinkom.

VAROVANIE: Používajte ochranu sluchu.

VAROVANIE: Emisie hluku sa môžu počas skutočného používania elektrického nástroja odlišovať od deklarovanej hodnoty, a to v závislosti od spôsobov používania náradia a najmä typu spracúvaného obrobku.

VAROVANIE: Nezabudnite označiť bezpečnostné opatrenia s cieľom chrániť obsluhu, a to tie, ktoré sa zakladajú na odhade vystavenia účinkom v rámci reálnych podmienok používania (berúc do úvahy všetky súčasti prevádzkového cyklu, ako sú doby, kedy je nástroj vypnutý a kedy beží bez zaťaženia, ako dodatok k dobe zapnutia).

Vibrácie

Celková hodnota vibrácií (trojosový vektorový súčet) určená podľa štandardu EN62841-1:

Merané na základe určeného použitia

Emisie vibrácií ($a_{h,D}$): 2,5 m/s² alebo menej
Odchýlka (K): 1,5 m/s²

POZNÁMKA: Deklarovaná celková hodnota vibrácií bola meraná podľa štandardnej skúšobnej metódy a môže sa použiť na porovnanie jedného nástroja s druhým.

POZNÁMKA: Deklarovaná celková hodnota vibrácií sa môže použiť aj na predbežné posúdenie vystavenia ich účinkom.

VAROVANIE: Emisie vibrácií sa môžu počas skutočného používania elektrického nástroja odlišovať od deklarovanej hodnoty, a to v závislosti od spôsobov používania náradia a najmä typu spracúvaného obrobku.

VAROVANIE: Nezabudnite označiť bezpečnostné opatrenia s cieľom chrániť obsluhu, a to tie, ktoré sa zakladajú na odhade vystavenia účinkom v rámci reálnych podmienok používania (berúc do úvahy všetky súčasti prevádzkového cyklu, ako sú doby, kedy je nástroj vypnutý a kedy beží bez zaťaženia, ako dodatok k dobe zapnutia).

Vyhľadania o zhode

Len pre krajiny Európy

Vyhľadania o zhode sa nachádzajú v prílohe A tohto návodu na obsluhu.

BEZPEČNOSTNÉ VAROVANIA

Všeobecné bezpečnostné predpisy pre elektrické nástroje

VAROVANIE Preštudujte si všetky bezpečnostné varovania, pokyny, vyobrazenia a technické špecifikácie určené pre tento elektrický nástroj. Pri nedodržaní všetkých nižšie uvedených pokynov môže dôjsť k úrazu elektrickým prúdom, požiaru alebo vážnemu zraneniu.

Všetky výstrahy a pokyny si odložte pre prípad potreby v budúcnosti.

Pojem „elektrický nástroj“ sa vo výstrahách vzťahuje na elektricky napájané elektrické nástroje (s káblom) alebo batériu napájané elektrické nástroje (bez kábla).

Bezpečnostné varovania pre akumulátorový zemný vrták

1. **Nástroj držte dvoma rukami za rukoväti.** Strata ovládania môže mať za následok poranenie.
2. **Nástroj pred použitím riadne podoprite.** Tento nástroj vyvíja vysoký krútiaci moment a bez správneho podopretia počas prevádzky by mohla strata ovládania spôsobiť poranenie.
3. **Pri činnosti, pri ktorej sa môže vrtacie príslušenstvo dostať do kontaktu so skrytými vodičmi, držte elektrický nástroj za izolované úchopné povrchy.** Vrtacie príslušenstvo, ktoré sa dostane do kontaktu s vodičom pod napätím, môže spôsobiť prechod elektrického prúdu kovovými časťami elektrického nástroja a spôsobiť tak obsluhu zasiahnutie elektrickým prúdom.
4. **Nikdy nepoužívajte pri vyššej rýchlosti, ako sú maximálne menovité otáčky zemného vrtáka.** Pri vyšších otáčkach sa môže vrták ohnúť, ak sa voľne otáča bez kontaktu s obrobkom, a spôsobiť zranenie.
5. **Vždy začnite vrtáť do zeme pri nízkych otáčkach a tak, aby sa špička zemného vrtáka dotýkala zeme.** Pri vyšších otáčkach sa môže vrták ohnúť, ak sa voľne otáča bez kontaktu so zemou, a spôsobiť zranenie.
6. **Aplikujte tlak len priamo v osi vrtáka a neaplikujte nadmerný tlak.** Vrtáky by sa mohli ohnúť a spôsobiť zlomenie alebo stratu kontroly a následne zranenie osôb.
7. **Vonkajší priemer špirálového vrtáka musí byť v medziach vrtacej kapacity uvedenej v tomto návode na obsluhu.** Špirálový vrták nesprávnej veľkosti nie je možné primerane ovládať.
8. **Vždy dbajte na pevný postoj. Ak pracujete vo výškach, dbajte, aby pod vami nikto nebol.**
9. **Náradie držte pevne.**
10. **Nepribližujte ruky k otáčajúcim sa častiam.**
11. **Nenechávajte nástroj v prevádzke bez dozoru. Pracujte s ním, len keď ho držíte v rukách.**
12. **Nedotýkajte sa špirálového vrtáka hneď po úkone; môže byť extrémne horúci a môže vám spáliť pokožku.**
13. **Niektoré materiály obsahujú chemikálie, ktoré môžu byť jedovaté. Dávajte pozor, aby ste ich nedvychovali ani sa ich nedotýkali. Prečítajte si bezpečnostné informácie dodávateľa materiálu.**
14. **Ak špirálový vrták nie je možné uvoľniť ani po odstránení kolíka vrtáka, použite na jeho vytiahnutie kliešte.** V prípade vyťahovania špirálového vrtáka rukou môže dôjsť k zraneniu spôsobenému jeho ostrou hranou.
15. **Ak s náradím nič nie je v poriadku, napríklad počuť nezvyčajné zvuky, okamžite prestaňte pracovať a požiadajte o opravu miestne servisné stredisko spoločnosti Makita.**
16. **Pred začatím práce sa uistite, že sa v zemi nenachádza žiadny zakopaný objekt ako elektrické káble, vodovodné alebo plynové potrubie.** V opačnom prípade sa ich môže nástroj dotknúť a spôsobiť zásah elektrickým prúdom, prerušenie vedenia elektrickej energie alebo únik plynu.

TIETO POKYNY USCHOVAJTE.

VAROVANIE: NIKDY nepripustíte, aby sebedovomie a dobrá znalosť výrobku (získané opakovaným používaním) nahradili presné dodržiavanie bezpečnostných pravidiel pre náradie. **NESPRAVNE POUŽÍVANIE** alebo nedodržiavanie bezpečnostných zásad uvedených v tomto návode môže viesť k vážnemu zraneniu.

Dôležité bezpečnostné a prevádzkové pokyny pre akumulátor

1. **Pred použitím akumulátora si prečítajte všetky pokyny a výstažné označenia na (1) nabíjačke akumulátorov, (2) akumulátore a (3) produkte používajúcom akumulátor.**
2. **Akumulátor nerozoberajte ani neupravujte.** Môže to viesť k požiaru, nadmernému teplu alebo výbuchu.
3. **Ak sa doba prevádzky príliš skráti, ihneď prerušte prácu.** Môže nastať riziko prehriatia, možných popálením či dokonca explózie.
4. **V prípade zasiahnutia očí elektrolytom ich vypláchnite čistou vodou a okamžite vyhľadajte lekársku pomoc.** Môže dôjsť k strate zraku.
5. **Akumulátor neskratujte:**
 - (1) **Nedotýkajte sa konektorov žiadnym vodivým materiálom.**
 - (2) **Neskladujte akumulátor v obale s inými kovovými predmetmi, napríklad klincami, mincami a pod.**
 - (3) **Akumulátor nevystavujte vode ani dažďu.** Skrat akumulátora môže spôsobiť veľký tok prúdu, prehriatie, možné popáleniny či dokonca poruchu.
6. **Nástroj ani akumulátor neskladujte a nepoužívajte na miestach s teplotou presahujúcou 50 °C (122 °F).**
7. **Akumulátor nespájajte, ani keď je vážne poškodený alebo úplne opotrebovaný.** Akumulátor môže v ohni explodovať.
8. **Akumulátor neprepichujte, neprerezávajte, nedrvté, nehádzte ani ho nenarúšajte údermi o tvrdé predmety.** Môže to viesť k požiaru, nadmernému teplu alebo výbuchu.
9. **Nepoužívajte poškodený akumulátor.**
10. **Lítium-iónové akumulátory, ktoré sú súčasťou náradia, podliehajú požiadavkám legislatívy o nebezpečnom tovare.**

V prípade obchodnej prepravy, napr. dodanie tretími stranami či špeditérmi, sa musia dodržiavať špeciálne požiadavky na zabalenie a označenie. Pred prípravou položky na odoslanie sa vyzáduje konzultácia s odborníkom na nebezpečný materiál. Taktiež treba dodržiavať potenciálne podrobnejšie predpisy príslušnej krajiny.

Prelepte alebo zakryte otvorené kontakty a zabaľte akumulátor tak, aby sa v balíku nemohol voľne pohybovať.
11. **Akumulátor pri likvidácii odstráňte z nástroja a zlikvidujte ho na bezpečnom mieste.** Akumulátor zlikvidujte v súlade s miestnymi nariadeniami.

12. **Akumulátory používajte iba s výrobkami uvedenými spoločnosťou Makita.** Inštalácia akumulátorov do nevyhovujúcich výrobkov môže spôsobiť požiar, nadmerné teplo, výbuch alebo únik elektrolytov.
13. **Ak sa nástroj dlhší čas nepoužíva, odstráňte z neho akumulátor.**
14. **Akumulátor sa môže počas používania a po použití zohriať, čo môže spôsobiť popáleniny alebo popáleniny aj pri relatívne nízkej teplote.** Pri manipulácii s horúcimi akumulátormi dávajte pozor.
15. **Nedotýkajte sa svorky nástroja ihneď po použití, keďže sa mohla zohriať dostatočne na to, aby spôsobila popáleniny.**
16. **Zabráňte zachytávaniu triesok, prachu alebo zeminy na svorkách, otvoroch a drážkach akumulátora.** Môže to spôsobiť zohriatie, požiar, výbuch a poruchu nástroja alebo akumulátora, v dôsledku čoho môže dôjsť k popáleninám alebo zraneniu osôb.
17. **Pokiaľ nástroj nepodporuje používanie v blízkosti vysokonapäťových elektrických vedení, nepoužívajte akumulátor blízko vysokonapäťových elektrických vedení.** Môže to viesť k nesprávnemu fungovaniu alebo poškodeniu nástroja alebo akumulátora.
18. **Akumulátor držte mimo dosahu detí.**

TIETO POKYNY USCHOVAJTE.

POZOR: Používajte len originálne akumulátory od spoločnosti Makita. Používanie batérií, ktoré nie sú od spoločnosti Makita, alebo upravených batérií môže spôsobiť výbuch batérie a následný požiar, zranenie osôb alebo poškodeniu majetku. Následkom bude aj zrušenie záruky od spoločnosti Makita na nástroj a nabíjačku od spoločnosti Makita.

Rady na udržanie maximálnej životnosti akumulátora

1. **Akumulátor nabite ešte predtým, ako sa úplne vybije.** Vždy prerušte prácu s nástrojom a nabite akumulátor, keď spozorujete nižší výkon nástroja.
2. **Nikdy nenabíjate plne nabitý akumulátor.** Prebíjanie skracuje životnosť akumulátora.
3. **Akumulátor nabíjajte pri izbovej teplote 10 °C – 40 °C (50 °F – 104 °F).** Pred nabíjaním nechajte horúci akumulátor vychladnúť.
4. **Keď akumulátor nepoužívate, vyberte ho z nástroja alebo nabíjačky.**
5. **Lítium-iónový akumulátor nabite, ak ste ho nepoužívali dlhšie ako šesť mesiacov.**

POČIATOČNÉ NASTAVENIE

⚠ POZOR: Pred vykonaním akejkoľvek práce na nástroji vždy skontrolujte, či je nástroj vypnutý a akumulátor je vybratý.

POPIS SÚČASTÍ

► Obr.1

| | | | |
|---|----------------|---|------------------|
| 1 | Hlavný nástroj | 2 | Predná rukoväť |
| 3 | Bočné držadlo | 4 | Prijímač reakcie |
| 5 | Skrutka | 6 | Kľúč |

Technické špecifikácie skrutky/kľúča

| – | Menovitý priemer skrutky | Veľkosť kľúča (H) |
|---|--------------------------|-------------------|
| A | M 12 | 10 mm |
| B | M 8 | 6 mm |
| C | M 6 | 5 mm |

Nastavenie nástroja

⚠ POZOR: Pred použitím sa vždy uistite, že predná rukoväť, bočné držadlo a prijímač reakcie sú pevne nainštalované.

UPOZORNENIE: Skrutky nedotahujte príliš silno. Nástroj sa môže poškodiť.

Inštalácia bočného držadla

Z náradia odstráňte skrutky zobrazené na obrázku. Skrutky odložte, aby sa nestratili.

► Obr.2: 1. Skrutka

Na nástroj umiestnite bočné držadlo.

Všetky štyri skrutky dočasne dotiahnite a potom ich dotiahnite pevne pomocou kľúča.

► Obr.3: 1. Bočné držadlo 2. Skrutka A 3. Skrutka B

Montáž prijímača reakcie

Umiestnite prijímač reakcie tak, aby bola lišta prijímača reakcie na ľavej strane operátora.

Upravte polohu prijímača reakcie tak, aby bola os vretena v strede tela operátora.

Skrutky pevne dotiahnite.

► Obr.4: 1. Lišta prijímača reakcie 2. Skrutka C

OPIS FUNKCIÍ

⚠ POZOR: Pred úpravou alebo kontrolou funkčnosti nástroja vždy skontrolujte, či je nástroj vypnutý a akumulátor je vybratý.

Indikácia zvyšnej kapacity akumulátora

Len na akumulátory s indikátorom

► Obr.5: 1. Indikátory 2. Tlačidlo kontroly

Stlačením tlačidla kontroly na akumulátore zobrazíte zostávajúcu kapacitu akumulátora. Indikátory sa na niekoľko sekúnd rozsvietia.

| Indikátory | | | Zostávajúca kapacita |
|------------|----------|---------|-----------------------------|
| Svieti | Nesvieti | Bliká | |
| ■ ■ ■ ■ | □ □ □ □ | □ □ □ □ | 75 % až 100 % |
| ■ ■ ■ □ | □ □ □ □ | □ □ □ □ | 50 % až 75 % |
| ■ ■ □ □ | □ □ □ □ | □ □ □ □ | 25 % až 50 % |
| ■ □ □ □ | □ □ □ □ | □ □ □ □ | 0 % až 25 % |
| ▣ □ □ □ | □ □ □ □ | □ □ □ □ | Akumulátor nabité. |
| ■ ■ □ □ | □ □ □ □ | □ □ □ □ | Akumulátor je možno chybný. |
| □ □ □ □ | □ □ □ □ | ■ ■ ■ ■ | |

POZNÁMKA: V závislosti od podmienok používania a v závislosti od okolitej teploty sa môže zobrazenie mierne odlišovať od skutočnej kapacity.

POZNÁMKA: Prvý (úplne vľavo) svetelný indikátor bude blikať, keď systém ochrany akumulátora funguje.

Systém na ochranu nástroja/akumulátora

Nástroj je vybavený systémom ochrany nástroja/akumulátora. Tento systém automaticky vypne napájanie motora s cieľom predĺžiť životnosť nástroja a akumulátora. Nástroj sa počas prevádzky automaticky zastaví v prípade, ak sa nástroj alebo akumulátor dostanú do jedného z nasledujúcich stavov:

Ochrana proti preťaženiu

Keď sa nástroj/akumulátor používa spôsobom, ktorý spôsobuje odber neštandardne vysokého prúdu, nástroj sa automaticky vypne. V tejto situácii vypnite nástroj a ukončíte prácu, ktorá spôsobuje jeho preťažovanie. Potom nástroj zapnutím znova spustíte.

Ochrana pred prehrievaním

Keď sa nástroj alebo akumulátor prehreje, nástroj sa automaticky zastaví. V tejto situácii nechajte nástroj/akumulátor pred opätovným spustením vychladnúť.

Ochrana pred nadmerným vybitím

Keď je kapacita akumulátora nedostatočná, nástroj sa automaticky vypne. V takomto prípade vyberte akumulátor z nástroja a nabite ho.

Ochrana pred ďalšími nebezpečenstvami

Systém ochrany bol navrhnutý tak, aby chránil aj pred ďalšími nebezpečenstvami, ktoré by mohli poškodiť nástroj, a zaisťuje automatické zastavenie nástroja. Ak sa nástroj dočasne zastavil alebo prerušil prevádzku, problém vyrieši vykonaním nasledujúcich krokov.

1. Reštartujte nástroj tak, že ho vypnete a potom znova zapnete.
2. Nabite akumulátory alebo ich vymeňte za nabité akumulátory.
3. Nechajte nástroj aj akumulátory vychladnúť.

Ak po obnovení systému ochrany nedošlo k zlepšeniu stavu, obráťte sa na miestne servisné stredisko spoločnosti Makita.

Hlavný vypínač

VAROVANIE: Keď sa nástroj nepoužíva, vypnite ho a nastavte prepínaciu páčku smeru otáčania do neutrálnej polohy na zablokovanie spúšťacieho spínača. Po vypnutí nástroja sa vždy uistite, že indikátor napájania zhasne.

Ak chcete nástroj prepnúť do pohotovostného režimu, tlačidlo hlavného vypínača podržte stlačené dovtedy, kým sa nerozsvieti indikátor napájania. Nástroj vypnete opätovným stlačením tlačidla hlavného vypínača.

► Obr.6: 1. Hlavný vypínač 2. Indikátor napájania

POZNÁMKA: Tento nástroj disponuje funkciou automatického vypnutia. Na zabránenie neúmyselnému spusteniu sa hlavný vypínač automaticky vypne, ak do približne 5 minút od jeho zapnutia nevytiahnete spúšťací spínač.

Zapínanie

POZOR: Pred vložením akumulátora do nástroja sa vždy presvedčite, či spúšťací spínač funguje správne a po uvoľnení sa vráti do pozície „OFF“.

► Obr.7: 1. Spúšťací spínač

Ak chcete nástroj spustiť, pri zapnutom hlavnom vypínači stlačte jeho spúšťací spínač. Rýchlosť nástroja sa zvyšuje zvyšovaním prítlaku na spúšťací spínač. Nástroj zastavíte uvoľnením spúšťacieho spínača.

POZNÁMKA: Nástroj sa automaticky zastaví, ak bude spúšťací spínač stlačený asi 6 minút.

Zapnutie prednej lampy

POZOR: Nedivajte sa priamo do svetla ani jeho zdroja.

► Obr.8: 1. Lampa

Lampu rozsvietite stlačením spúšťacieho tlačidla. Lampa svieti, kým ťaháte spúšťací spínač. Lampa zhasne asi 10 sekúnd po uvoľnení spúšťacieho spínača.

POZNÁMKA: Ak je nástroj prehriaty, automaticky sa zastaví a začne blikať lampa. Ak k tomu dôjde, uvoľnite spúšťací spínač. Po uplynutí 5 minút lampa zhasne.

POZNÁMKA: Suchou tkaninou utrite znečistené šošovky lampy. Dávajte pozor, aby sa šošovky lampy nepoškriabali. Mohla by sa znížiť intenzita osvetlenia.

Činnosť prepínacej páčky smeru otáčania

POZOR: Pred začatím činnosti vždy skontrolujte smer otáčania.

POZOR: Smer otáčania prepínajte až po úplnom zastavení nástroja. Pri zmene smeru otáčania pred úplným zastavením by sa mohol nástroj poškodiť.

POZOR: Keď nástroj nepoužívate, prepínicu páčku smeru otáčania vždy prepnite do neutrálnej polohy.

Tento nástroj má prepínicu páčku na zmenu smeru otáčania. Zatláčte prepínicu páčku smeru otáčania zo strany A pre otáčanie v smere pohybu hodinových ručičiek alebo zo strany B pre otáčanie proti smeru pohybu hodinových ručičiek.

Keď je prepínicu páčka smeru otáčania v neutrálnej polohe, spínacia páčka sa nedá stlačiť.

► Obr.9: 1. Prepínicu páčka smeru otáčania

Funkcia automatickej zmeny otáčok

Tento nástroj je vybavený „režimom vysokých otáčok“ a „režimom vysokého krútiaceho momentu“.

V závislosti od pracovného zaťaženia zariadenie automaticky zmení prevádzkový režim. Keď je pracovné zaťaženie nízke, zariadenie bude pracovať v režime vysokých otáčok, aby sa zrýchliла činnosť. Keď je pracovné zaťaženie vysoké, zariadenie bude pracovať v režime vysokého krútiaceho momentu na zaistenie vysokého výkonu.

► Obr.10: 1. Indikátor režimu

Indikátor režimu sa rozsvieti nazeleno, keď zariadenie pracuje v režime vysokého krútiaceho momentu.

Ak sa zariadenie používa pri nadmernom zaťažení, indikátor režimu bude blikať nazeleno. Ak znížite zaťaženie zariadenia, indikátor režimu prestane blikať a potom sa rozsvieti alebo vypne.

| Stav indikátora režimu | | | Prevádzkový režim |
|------------------------|------------|---|-----------------------------------|
| ● Sviety | ○ Nesviety | ● Blika | |
| | |  | Režim vysokých otáčok |
| | |  | Režim vysokého krútiaceho momentu |
| | |  | Výstraha pred preťažením |

Zmena otáčok

UPOZORNENIE: Ovládač zmeny otáčok použijajte až po úplnom zastavení nástroja. Pri zmene otáčok nástroja pred úplným zastavením by mohli dôjsť k poškodeniu nástroja.

UPOZORNENIE: Ovládač zmeny otáčok vždy starostlivo nastavte do správnej polohy. Ak je pri prevádzke nástroja ovládač zmeny otáčok umiestnený v polovici medzi polohou 1 a polohou 2, nástroj sa môže poškodiť.

Ovládačom zmeny otáčok možno vopred zvoliť dva rozsahy otáčok.

Ak chcete zmeniť otáčky, stlačte poistné tlačidlo a otočte ovládač zmeny otáčok tak, aby ukazovateľ smeroval k polohe 1 pre nízke otáčky alebo k polohe 2 pre vysoké otáčky.

► **Obr.11:** 1. Poistné tlačidlo 2. Ukazovateľ 3. Ovládač zmeny otáčok

Obmedzovač krútiaceho momentu

Obmedzovač krútiaceho momentu sa aktivuje po dosiahnutí určitej hodnoty krútiaceho momentu pri nastavení nízkych otáčok (poloha 1). Preruší sa spojenie medzi motorom a vývodovým hriadeľom. Keď sa tak stane, vrták nástroja sa prestane otáčať.

Ak chcete nástroj reštartovať, vyberte vrták nástroja z otvoru a následne opäť stlačte spúšťací spínač.

Funkcia na zabránenie náhodnému spusteniu

Poistná funkcia spúšťacieho spínača na zabránenie neúmyselnej činnosti. Nástroj sa nespustí, ak stlačíte hlavný vypínač a zároveň ťaháte spúšťací spínač.

Nástroj znovu spustíte uvoľnením spúšťacieho spínača a následne jeho opätovným potiahnutím.

Elektronické funkcie

Na jednoduchšiu obsluhu je nástroj vybavený nasledujúcimi elektronickými funkciami.

Elektrická brzda

Tento nástroj je vybavený elektrickou brzdou. Ak sa nástroju nepretržite nedarí rýchlo prerušiť funkciu po uvoľnení spúšťacieho spínača, nechajte si nástroj opraviť v servisnom stredisku spoločnosti Makita.

Funkcia hladkého štartu

Táto funkcia umožňuje hladké spustenie nástroja obmedzením krútiaceho momentu pri spustení.

Otvor na popruh

VAROVANIE: Otvor na popruh nepoužívajte na žiadne iné účely, než na zavesenie nástroja alebo na jeho zabezpečenie proti krádeži. V opačnom prípade to môže viesť k zraneniu.

► **Obr.12:** 1. Otvor na popruh

ZOSTAVENIE

Inštalácia alebo demontáž akumulátora

▲POZOR: Pred inštaláciou alebo vybratím akumulátora nástroj vždy vypnite.

▲POZOR: Pri inštalovaní a vyberaní akumulátora pevne uchopíte nástroj a akumulátor. Ak nástroj a akumulátor pevne neuchopíte, môže to mať za následok vyšmyknutie z vašich rúk s dôsledkom poškodenia nástroja a akumulátora, ako aj osobných poranení.

► **Obr.13:** 1. Červený indikátor 2. Tlačidlo 3. Akumulátor

Ak chcete vybrať akumulátor, vysuňte ho z nástroja, pričom posuňte tlačidlo na prednej strane akumulátora.

Akumulátor vložíte tak, že jazýček akumulátora zarovnáte s drážkou v kryte a zasuniete ho na miesto. Zatlačte ho úplne, kým zakliknutím nezapadne na miesto. Ak vidíte červený indikátor, ako je znázornené na obrázku, nie je správne zaistený.

▲POZOR: Akumulátor vždy nainštalujte úplne, až kým nie je vidieť červený indikátor. V opačnom prípade môže náhodne vypadnúť z nástroja a ublížiť vám alebo osobám v okolí.

▲POZOR: Pri inštalovaní akumulátora nepoužívajte silu. Ak sa akumulátor nedá zasunúť ľahko, nekladáte ho správne.

Montáž špirálového vrtáka

▲POZOR: Pred vykonaním akejkoľvek práce na nástroji vždy skontrolujte, či je nástroj vypnutý a akumulátor je vybraný.

▲POZOR: Pri upevňovaní špirálového vrtáka k vretenu sa uistite, že kolík vrtáka je zaistený a preskúmajte, či na kolíku vrtáka nie sú žiadne poškodenia.

▲POZOR: Pri prenášaní nástroja z neho odstráňte špirálový vrták.

Montáž špirálového vrtáka na vreteno

POZNÁMKA: Tvar a mechanizmus špirálového vrtáka a kolíka vrtáka sa môžu odlišovať v závislosti od vášho špirálového vrtáka.

Zarovnajtie otvor na vreteno s otvorom na špirálovom vrtáku.

Nasadte špirálový vrták na vreteno.

► **Obr.14:** 1. Špirálový vrták 2. Vreteno

Upevnite špirálový vrták pomocou kolíka vrtáka a bezpečnostnej poistky.

► **Obr.15:** 1. Kolík vrtáka 2. Bezpečnostná poistka

PREVÁDZKA

⚠️ POZOR: Toto je výkonný nástroj, ktorý dokáže vyvinúť vysoký krútiaci moment. Je dôležité, aby bol nástroj pevne uchycený a podporený.

⚠️ POZOR: Pred prevádzkou skontrolujte, či v otvoroch alebo pohyblivých častiach nie sú zachytené cudzie látky (piesok, nečistoty atď.).

Pracovný postoj

Udržiavanie správnej polohy pri práci je jednou z najdôležitejších a najúčinnějších zásad na ovládanie spätného nárazu. Správny postoj udržiavajte navčičovaním nasledujúcich bodov.

- Umiestnite nástroj tak, aby bola lišta prijímača reakcie vždy v kontakte na ľavej strane vášho pásu.
- Uchopte rukoväť a bočné držadlo obomi rukami. Prsty oviňte okolo miest na uchopenie, pričom miesta uchopenia udržiavajte medzi palcami a ukazovákmi.
- Počas vrtania udržiavajte chrbát čo najviac vystretý a podľa potreby ohýbajte nohy.
- Dávajte pozor na reakčnú silu nástroja na krútiaci moment. Vždy si udržiavajte takú prevádzkovú polohu, aby ste odolali reakčnej sile krútiaceho momentu.

► **Obr.16:** 1. Rukoväť 2. Bočné držadlo 3. Lišta prijímača reakcie

⚠️ VAROVANIE: Vyhybajte sa nesprávnemu umiestneniu. Nestojte od nástroja príliš ďaleko. V prípade spätného nárazu sa môže stať, že nebudete môcť správne zareagovať a udržať nástroj pod kontrolou.

► **Obr.17**

Vrtanie

⚠️ POZOR: Počas používania držte nástroj pevne.

⚠️ POZOR: Počas používania udržiavajte tvár a ruky v bezpečnej vzdialenosti od vrtiacich nástavcov, ako je špirálový vrták, všetkých otáčajúcich sa častí a odpadu z vrtania.

⚠️ POZOR: Ak nástroj necháivate bez dozoru, napríklad počas prestávky, nenecháivate ho zabodnutý v zemi ani opretý o stenu. Nástroj uskladnite v stabilnom stave.

UPOZORNENIE: Ak sa otáčky rýchlo znižia, znížte zaťaženie alebo nástroj zastavte, aby ste sa vyhli poškodeniu nástroja.

UPOZORNENIE: Nadmerným tlakom na nástroj vrtanie neurýchlite. V skutočnosti tento nadmerný tlak vedie len k poškodeniu hrotu špirálového vrtáka, zníženiu účinnosti nástroja a skráteniu jeho životnosti.

UPOZORNENIE: Nevrtajte do materiálu, o ktorom si myslíte, že by mohol obsahovať skryté klince alebo iné predmety, ktoré by mohli spôsobiť zaseknutie alebo zlomenie špirálového vrtáka.

UPOZORNENIE: Ak sa s nástrojom pracuje nepretržite až do vybitia akumulátora, pred ďalšou prácou s nabitým akumulátorom nechajte nástroj odpočívať aspoň 15 minút.

- Správnu rýchlosť (vysoká/nízka) zvolte v závislosti od priemeru otvoru a stavu pôdy.
- Pri vrtaní hlbokého otvoru alebo vrtaní v ilovitej pôde sa nepokúšajte všetko vyvráť naraz. Otvor vyvráťajte zdvíhaním a spúšťaním nástroja, aby sa pôda v otvore mohla uvoľňovať.
- Ak sa otáčky nástroja spomalia v dôsledku vysokého zaťaženia, nástroj mierne nadvihnite a pohybujte ním nahor a nadol, aby ste vrtali v malých krokoch.

Pri otáčaní špirálového vrtáka v opačnom smere

Uviaznutý špirálový vrták sa dá jednoducho uvoľniť prepnutím prepínača smeru otáčania do opačnej polohy. Pri spätnom chode podprite nástroj telom, aby nedošlo k reakcii v smere hodinových ručičiek.

► **Obr.18**

⚠️ POZOR: Nástroj držte pevne. Nástroj sa môže náhle vysunúť späť a spôsobiť zranenie.

ÚDRŽBA

⚠️ POZOR: Pred vykonaním kontroly alebo údržby vždy skontrolujte, či je nástroj vypnutý a akumulátor je vybatý.

UPOZORNENIE: Nepoužívajte benzín, riedidlo, alkohol ani podobné látky. Mohlo by to spôsobiť zmenu farby, deformácie alebo praskliny.

Ak chcete udržať BEZPEČNOSŤ a BEZPORUCHOVOSŤ výrobku, prenechajte opravy, údržbu a nastavenie na autorizované alebo továrenské servisné centrá Makita, ktoré používajú len náhradné diely značky Makita.

VOLITEĽNÉ PRÍSLUŠENSTVO

⚠️ POZOR: Pre váš nástroj Makita, opísaný v tomto návode, doporučujeme používať toto príslušenstvo a nástavce. Pri použití iného príslušenstva či nástavcov môže hroziť nebezpečenstvo zranenia osôb. Príslušenstvo a nástavce sa môžu používať len na účely pre ne stanovené.

Ak potrebujete bližšie informácie týkajúce sa tohoto príslušenstva, obráťte sa na vaše miestne servisné stredisko firmy Makita.

- Špirálové vrtáky
- Súprava rukovätí
- Predlžovacia tyč špirálového vrtáka
- Originálna batéria a nabíjačka Makita

POZNÁMKA: Niektoré položky zo zoznamu môžu byť súčasťou balenia nástrojov vo forme štandardného príslušenstva. Rozsah týchto položiek môže byť v každej krajine odlišný.

SPECIFIKACE

| | | |
|-----------------------|--------|---|
| Model: | | DDG461 |
| Otáčky bez zatížení | Vysoký | 0 – 1 400 min ⁻¹ |
| | Nízký | 0 – 350 min ⁻¹ |
| Vrtací výkon (Průměr) | Vysoký | Pro písčitou půdu: ø60 mm Pro jílovitou půdu: ø60 mm |
| | Nízký | Pro písčitou půdu: ø200 mm Pro jílovitou půdu: ø150 mm |
| Celková délka | | 840 mm ⁻¹ |
| Jmenovité napětí | | 36 V DC |
| Čistá hmotnost | | 7,0 – 7,6 kg |

⁻¹ S bočním madlem

- Vzhledem k neustálému výzkumu a vývoji zde uvedené technické údaje podléhají změnám bez upozornění.
- Specifikace se mohou pro různé země lišit.
- Hmotnost se může lišit v závislosti na nástavcích a přídatných zařízeních, včetně akumulátoru. Nejlehčí a nejtěžší kombinace, dle EPTA-Procedure 01/2014, jsou uvedeny v tabulce níže.

Použitelný akumulátor a nabíječka

| | |
|------------|---|
| Akumulátor | BL1815N / BL1820B / BL1830B / BL1840B / BL1850B / BL1860B |
| Nabíječka | DC18RC / DC18RD / DC18RE / DC18SD / DC18SE / DC18SF / DC18SH / DC18WC |

- V závislosti na regionu vašeho bydliště nemusí být některé akumulátory a nabíječky k dispozici.

VAROVÁNÍ: Používejte pouze výše uvedené akumulátory a nabíječky. Použití jiných akumulátorů a nabíječek může způsobit zranění a/nebo požár.

Doporučený drátový zdroj napájení

| | |
|---------------------|-----------------|
| Přenosný akumulátor | PDC01 / PDC1200 |
|---------------------|-----------------|

- V závislosti na regionu vašeho bydliště nemusí být drátové zdroje napájení uvedené výše k dispozici.
- Než začnete používat drátový zdroj napájení, přečtěte si pokyny a varovné symboly na nich.

Účel použití

Nářadí je určeno k vrtání do půdy.

Hlučnost

Typická vážená hladina hluku (A) určená podle normy EN62841-2-1:

Měřeno dle účelu použití

Hladina akustického tlaku (L_{pA}): 84 dB(A)
Hladina akustického výkonu (L_{wA}): 95 dB (A)
Nejistota (K): 3 dB(A)

POZNÁMKA: Celková(é) hodnota(y) emisí hluku byla(y) změřena(y) v souladu se standardní zkušební metodou a dá se použít k porovnání nářadí mezi sebou.

POZNÁMKA: Hodnotu(y) deklarovaných emisí hluku lze také použít k předběžnému posouzení míry expozice vibracím.

VAROVÁNÍ: Používejte ochranu sluchu.

VAROVÁNÍ: Emise hluku se při používání elektrického nářadí ve skutečnosti mohou od deklarované(ých) hodnot(y) lišit v závislosti na způsobech použití nářadí.

VAROVÁNÍ: Nezapomeňte stanovit bezpečnostní opatření na ochranu obsluhy podle odhadu expozice ve skutečných podmínkách použití. (Vezměte přitom v úvahu všechny části provozního cyklu, tj. kromě doby zátěže například doby, kdy je nářadí vypnuté a kdy běží naprázdno.)

Vibrace

Celková hodnota vibrací (vektorový součet tří os) určená podle normy EN62841-1:

Měřeno dle účelu použití

Emise vibrací ($a_{h,D}$): 2,5 m/s² nebo méně
Nejistota (K): 1,5 m/s²

POZNÁMKA: Celková(é) hodnota(y) deklarovaných vibrací byla(y) změněna(y) v souladu se standardní zkušební metodou a dá se použít k porovnání nářadí mezi sebou.

POZNÁMKA: Celkovou(é) hodnotu(y) deklarovaných vibrací lze také použít k předběžnému posouzení míry expozice vibracím.

VAROVÁNÍ: Emise vibrací se při používání elektrického nářadí ve skutečnosti mohou od deklarované(ých) hodnot(y) lišit v závislosti na způsobech použití nářadí.

VAROVÁNÍ: Nezapomeňte stanovit bezpečnostní opatření na ochranu obsluhy podle odhadu expozice ve skutečných podmínkách použití. (Vezměte přitom v úvahu všechny části provozního cyklu, tj. kromě doby zátěže například doby, kdy je nářadí vypnuté a kdy běží naprázdno.)

Prohlášení o shodě

Pouze pro evropské země

Prohlášení o shodě jsou obsažena v Příloze A tohoto návodu k obsluze.

BEZPEČNOSTNÍ VÝSTRAHY

Obecná bezpečnostní upozornění k elektrickému nářadí

VAROVÁNÍ Přečtěte si všechny bezpečnostní výstrahy i pokyny a prohlédněte si ilustrace a specifikace dodané k tomuto elektrickému nářadí. Nedodržení všech níže uvedených pokynů může vést k úrazu elektrickým proudem, požáru a/nebo vážnému zranění.

Všechna upozornění a pokyny si uschovejte pro budoucí potřebu.

Pojem „elektrické nářadí“ v upozorněních označuje elektrické nářadí, které se zapojuje do elektrické sítě, nebo elektrické nářadí využívající akumulátory.

Bezpečnostní varování k akumulátorovému půdnímu šnekovému vrtáku

1. **Nářadí držte oběma rukama za příslušná držadla.** Při ztrátě kontroly nad nářadím může dojít ke zranění.
2. **Před použitím nářadí řádně zapřete.** Toto nářadí je schopno vyvinout vysoký točivý moment a bez řádného zapření nářadí během provozu může dojít ke ztrátě kontroly a následnému zranění.
3. **Při práci v místech, kde může dojít ke kontaktu hloubicího příslušenství se skrytým elektrickým vedením, držte elektrické nářadí za izolované části držadel.** Hloubicí příslušenství může při kontaktu s vodičem pod napětím přenést proud do nechráněných částí nářadí a obsluha může utrpět úraz elektrickým proudem.

4. **Nikdy nepoužívejte vyšší rychlost, než je uvedená maximální rychlost šnekového půdního vrtáku.** Při vyšších rychlostech je vyšší pravděpodobnost ohnutí vrtáku, pokud má možnost volně se otáčet, aniž by se dotýkal obrobku, což může způsobit zranění.
5. **S vrtáním půdy vždy začněte při nižší rychlosti a tak, že se hrot šnekového vrtáku dotýká země.** Při vyšších rychlostech je vyšší pravděpodobnost ohnutí vrtáku, pokud má možnost volně se otáčet, aniž by se dotýkal země, což může způsobit zranění.
6. **Na nářadí zatlačte v přímé linii s vrtákem a nepoužívejte přílišný tlak.** Vrtáky se mohou ohýbat, čímž může dojít k jejich zlomení, ztrátě kontroly nebo ke zranění.
7. **Vnější průměr nástroje šnekového vrtáku musí být v rámci vrtacího výkonu uvedeného v tomto návodu k obsluze.** Šnekový vrták nesprávné velikosti nelze řádně ovládat.
8. **Vždy zaujměte stabilní postoj.** Při práci s nářadím ve výškách dbejte, aby se pod vámi nepohybovaly žádné osoby.
9. **Držte nářadí pevně.**
10. **Nepřibližujte ruce k otáčejícím se částem.**
11. **Nenechávejte nářadí běžet bez dozoru.** S nářadím pracujte, jen když je držíte v rukou.
12. **Bezprostředně po ukončení práce se nedotýkejte šnekového vrtáku, protože může dosahovat velmi vysokých teplot a popálit pokožku.**
13. **Některé materiály obsahují chemikálie, které mohou být jedovaté.** Dávejte pozor, abyste nevdechovali prach nebo nedocházelo ke kontaktu s kůží. Dodržujte bezpečnostní pokyny dodavatele materiálu.
14. **Pokud nelze šnekový vrták uvolnit ani po vytáhnutí čepu šneku, vytáhněte jej pomocí kleští.** Vytahování šnekového vrtáku rukou může mít za následek poranění kvůli jeho ostré hraně.
15. **Pokud je s nářadím něco v nepořádku, například vydává neobvyklé zvuky, okamžitě přerušete práci a nechte nářadí opravit místním servisním střediskem společnosti Makita.**
16. **Před použitím se ujistěte, že v půdě nejsou žádné skryté předměty jako elektrické vedení nebo vodovodní či plynové potrubí.** Jinak se jich může nářadí dotknout, což může mít za následek elektrický šok, únik vody či plynu.

TYTO POKYNY USCHOVEJTE.

VAROVÁNÍ: NEDOVOLTE, aby pohodlnost nebo pocit znalosti výrobku (získaný na základě předchozího použití) vedl k zanedbání dodržování bezpečnostních pravidel platných pro tento výrobek. NESPRÁVNÉ POUŽÍVÁNÍ či nedodržení bezpečnostních pravidel uvedených v tomto návodu k obsluze může způsobit vážné zranění.

Důležitá bezpečnostní upozornění pro akumulátor

- Před použitím akumulátoru si přečtěte všechny pokyny a varovné symboly na (1) nabíječce, (2) akumulátoru a (3) výrobku využitím akumulátor.**
- Nerozebírejte akumulátor ani do něj nijak nezasahujte.** Může dojít k požáru, nadměrnému zahřátí nebo výbuchu.
- Pokud se přilíš zkrátí provozní doba akumulátoru, přerušete okamžitě práci. V opačném případě existuje riziko přehřívání, popálení nebo dokonce výbuchu.**
- Budou-li vaše oči zasaženy elektrolytem, vypláchněte je čistou vodou a okamžitě vyhledejte lékařskou pomoc. Může dojít ke ztrátě zraku.**
- Akumulátor nezkratujte:**
 - Nedotýkejte se svorek žádným vodivým materiálem.**
 - Neskladujte akumulátor v nádobě s jinými kovovými předměty, jako jsou hřebíky, mince, apod.**
 - Nevystavuje akumulátor vodě a dešti.** Zkrat akumulátoru může způsobit velký průtok proudu, přehřátí, možné popálení a dokonce i poruchu.
- Neskladujte a nepoužívejte nářadí a akumulátor na místech, kde může teplota překročit 50 °C (122 °F).**
- Nespalište akumulátor, ani když je vážně poškozen nebo úplně opotřeben. Akumulátor může v ohni vybuchnout.**
- Akumulátor nesmí být proražen hřebíkem, řezán, drcen, házen či upuštěn na zem, ani nesmí dojít k nárazu tvrdého předmětu do něj.** Taková situace může způsobit požár, nadměrné zahřátí či výbuch.
- Nepoužívejte poškozené akumulátory.**
- Obsazené lithium-iontové akumulátory podléhají právním požadavkům na nebezpečné zboží.** V případě komerční přepravy například externími dopravci je třeba dodržet zvláštní požadavky na balení a značení.
Pro přípravu zboží k přepravě je nutná konzultace s odborníkem na nebezpečný materiál. Dodržujte také případné podrobnější národní předpisy. Odkryté kontakty přelepte izolační páskou či jinak zakryjte a akumulátory zabalte tak, aby se v balení nemohly pohybovat.
- Při likvidaci akumulátoru jej vyjměte z nářadí a zlikvidujte jej na bezpečném místě. Při likvidaci akumulátoru postupujte podle místních předpisů.**
- Akumulátor používejte pouze s výrobky specifikovanými společností Makita.** Instalace akumulátoru do nevyhovujících výrobků může způsobit požár, nadměrné zahřívání, explozi nebo únik elektrolytu.
- Pokud nářadí delší dobu nepoužíváte, je nutné z něj akumulátor vyjmout.**
- Během a po použití se může akumulátor zahřát, což může způsobit popáleniny nebo podráždění. Při manipulaci s horkými akumulátory dávejte pozor.**

- Nedotýkejte se koncovky na nářadí ihned po použití, protože ta může být horká a způsobit popáleniny.**
- Do koncovek, otvorů a zdiřek na akumulátoru se nesmí dostat piliny, prach nebo jiné nečistoty.** To může způsobit zahřátí, vznícení, prasknutí a poruchu nářadí nebo akumulátoru, což může vést k popáleninám nebo zranění osob.
- Jestliže nářadí není zkonstruováno tak, že jej lze používat v blízkosti vysokého elektrického napětí, nepoužívejte akumulátor poblíž vedení s vysokým elektrickým napětím.** Mohlo by tím dojít k poruše či selhání nářadí či akumulátoru.
- Akumulátor uchovávejte mimo dosah dětí.**

TYTO POKYNY USCHOVEJTE.

▲UPOZORNĚNÍ: Používejte pouze originální akumulátory Makita. Používání neoriginálních nebo upravených akumulátorů může způsobit explozi akumulátoru a následný požár, zranění a jiné poškození. Zaniká tím také záruka společnosti Makita na nářadí a nabíječku Makita.

Typy k zajištění maximální životnosti akumulátoru

- Akumulátor nabíjete dříve, než dojde k jeho úplnému vybití. Pokud si povšimnete sníženého výkonu nářadí, vždy jej zastavte a dobijte akumulátor.**
- Nikdy nenabíjete úplně nabitý akumulátor. Přebíjení zkracuje životnost akumulátoru.**
- Akumulátor dobíjete při pokojové teplotě od 10 °C do 40 °C (50 °F až 104 °F). Před nabíjením nechejte horký akumulátor zchladnout.**
- Když není akumulátor používán, vyjměte ho z nářadí či nabíječky.**
- Pokud se akumulátor delší dobu nepoužívá (déle než šest měsíců), je nutno jej dobít.**

PRVNÍ NASTAVENÍ

▲UPOZORNĚNÍ: Před prováděním jakýchkoli prací na nářadí se vždy přesvědčte, zda je vypnuté a je vyjmutý akumulátor.

POPIS DÍLŮ

► Obr.1

| | | | |
|---|--------------------|---|---------------------|
| 1 | Hlavní část nářadí | 2 | Přední držadlo |
| 3 | Boční držadlo | 4 | Stabilizační opěrka |
| 5 | Šroub | 6 | Klíč |

Specifikace šroubu/klíče

| - | Nominální průměr šroubu | Velikost klíče (H) |
|---|-------------------------|--------------------|
| A | M 12 | 10 mm |
| B | M 8 | 6 mm |
| C | M 6 | 5 mm |

Nastavení nářadí

⚠ UPOZORNĚNÍ: Dávejte pozor, aby přední držadlo, boční držadlo a stabilizační opěrka byly vždy před prací pevně nainstalovány.

POZOR: Šrouby nesmí být přetaženy. Mohlo by dojít k poškození nářadí.

Instalace bočního držadla

Odšroubujte z nářadí šrouby vyobrazené na obrázku. Šrouby uschovejte tak, aby nedošlo k jejich ztrátě.

► **Obr.2:** 1. Šroub

Umístěte boční držadlo na nářadí.

Utáhněte dočasně všechny čtyři šrouby a poté je pevně utáhněte pomocí klíče.

► **Obr.3:** 1. Boční držadlo 2. Šroub A 3. Šroub B

Montáž stabilizační opěrky

Umístěte stabilizační opěrku tak, aby se tyč stabilizační opěrky dotýkala levého boku operátora.

Upravte pozici stabilizační opěrky tak, aby byla osa vřetene ve středu operátora těla.

Šrouby pevně dotáhněte.

► **Obr.4:** 1. Tyč stabilizační opěrky 2. Šroub C

POPIS FUNKCÍ














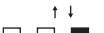


⚠ UPOZORNĚNÍ: Před nastavováním nářadí nebo kontrolou jeho funkce se vždy přesvědčte, zda je vypnuté a je vyjmutý akumulátor.

Indikace zbývající kapacity akumulátoru

Pouze pro akumulátory s diodovým ukazatelem

► **Obr.5:** 1. Kontrolky 2. Tlačítko kontroly

Stisknutím tlačítka kontroly na akumulátoru zjistíte zbývající kapacitu akumulátoru. Kontrolky indikátoru se na několik sekund rozsvítí.

| Kontrolky | | | Zbývající kapacita |
|--|--|---|---|
|  Svítí |  Nesvítí |  Bliká | |
|  | | | 75 % až 100 % |
|  |  | | 50 % až 75 % |
|  |  | | 25 % až 50 % |
|  |  | | 0 % až 25 % |
|  |  | | Nabijte akumulátor. |
|   |   | | Došlo pravděpodobně k poruše akumulátoru. |

POZNÁMKA: Kapacita udávaná indikátorem se může mírně lišit od skutečné kapacity v závislosti na podmínkách používání a teplotě prostředí.

POZNÁMKA: První kontrolka (zcela vlevo) bude blikat, když je systém ochrany akumulátoru v provozu.

Systém ochrany nářadí a akumulátoru

Nářadí je vybaveno systémem ochrany nářadí a akumulátoru. Tento systém automaticky přeruší napájení motoru, aby se prodloužila životnost nářadí a akumulátoru. Budou-li nářadí nebo akumulátor vystaveny některé z níže uvedených podmínek, nářadí se během provozu automaticky vypne:

Ochrana proti přetížení

Pokud se s nástrojem/akumulátorem pracuje způsobem vyvolávajícím mimořádně vysoký odběr proudu, nástroj se automaticky vypne. V takové situaci nástroj vypněte a ukončete činnost, při níž došlo k přetížení nástroje. Potom nástroj zapněte a obnovte činnost.

Ochrana proti přehřátí

Když se nářadí či akumulátor přehřeje, automaticky se vypne. V takovém případě nechte nářadí či akumulátor před opětovným zapnutím vychladnout.

Ochrana proti přílišnému vybití

V případě nedostačující kapacity akumulátoru se nářadí automaticky vypne. V takovém případě vyjměte akumulátor z nářadí a nabijte jej.

Ochrana proti jiným závadám

Ochranný systém je také navržen i pro jiné příčiny, které by mohly nářadí poškodit, a umožňuje automatické zastavení nářadí. Když se nářadí dočasně pozastaví nebo přestane pracovat, proveďte veškeré následující kroky k odstranění příčin.

1. Restartujte nářadí jeho vypnutím a opětovným zapnutím.
2. Nabijte akumulátor(y) nebo jej (je) vyměňte za nabitý (nabité).
3. Nechte nářadí a akumulátor(y) vychladnout.

Pokud se obnovou ochranného systému nedosáhne žádného zlepšení, obraťte se na místní servisní středisko Makita.

Hlavní spínač napájení

⚠ VAROVÁNÍ: Když nářadí nepoužíváte, vypněte nářadí a nastavte prepínací páčku směru otáčení do neutrální polohy, abyste zablokovali spoušť. Po vypnutí nářadí se vždy ujistěte, že hlavní kontrolka napájení zhasia.

Chcete-li nářadí připravit k činnosti, stiskněte hlavní tlačítko napájení a držte ho, dokud se nerozsvítí hlavní kontrolka napájení. Vypnutí provedete opětovným stisknutím hlavního tlačítka napájení.

► **Obr.6:** 1. Hlavní tlačítko napájení 2. Hlavní kontrolka napájení

POZNÁMKA: Toto nářadí je vybaveno funkcí automatického vypínání. Jako prevence neúmyslného spuštění se hlavní spínač napájení automaticky vypne, pokud není stisknuta spoušť do přibližně 5 minut po zapnutí hlavního spínače napájení.

Používání spouště

⚠ UPOZORNĚNÍ: Před vložením akumulátoru do nářadí vždy zkontrolujte správnou funkci spouště, a zda se po uvolnění vrací do vypnuté polohy.

► **Obr.7:** 1. Spoušť

Chcete-li nářadí uvést do chodu, zatáhněte za spoušť se zapnutým hlavním vypínačem elektrického přívodu. Otáčky nářadí se zvyšují zvyšováním tlaku na spoušť. Chcete-li nářadí vypnout, uvolněte spoušť.

POZNÁMKA: Podržíte-li spoušť stisknutou asi 6 minut, nářadí se automaticky vypne.

Rozsvícení předního světla

⚠ UPOZORNĚNÍ: Nedívejte přímo do světla nebo jeho zdroje.

► **Obr.8:** 1. Světlo

Při stisknutí spouště se rozsvítí světlo. Světlo svítí po celou dobu stisknutí spouště. Světlo zhasne přibližně 10 sekund po uvolnění spouště.

POZNÁMKA: Při přehřátí se nářadí automaticky vypne a rozbliká se světlo. V takové situaci uvolněte spoušť. Světlo zhasne během 5 minut(y).

POZNÁMKA: K očištění nečistot ze skla světla použijte suchý hadřík. Dbejte, abyste sklo světla nepoškrábali. Mohlo by dojít ke snížení svítivosti.

Přepínání směru otáčení

⚠ UPOZORNĚNÍ: Před zahájením provozu vždy zkontrolujte nastavený směr otáčení.

⚠ UPOZORNĚNÍ: Směr otáčení přepínejte až po úplném zastavení nářadí. Provedete-li změnu směru otáčení před zastavením nářadí, může dojít k jeho poškození.

⚠ UPOZORNĚNÍ: Pokud nářadí nepoužíváte, vždy přesuňte přepínací páčku směru otáčení do neutrální polohy.

Toto nářadí je vybaveno přepínačem směru otáčení. Stisknutím přepínací páčky směru otáčení ze strany A se nástroj otáčí ve směru hodinových ručiček, zatímco při stisknutí ze strany B proti směru hodinových ručiček. Je-li přepínací páčka směru otáčení v neutrální poloze, nelze stisknout spínací páčku nástroje.

► **Obr.9:** 1. Přepínací páčka směru otáčení

Funkce automatické změny otáček

Nářadí disponuje „režimem vysokých otáček“ a „režimem vysokého točivého momentu“. Provozní režim se přepíná automaticky podle pracovního zatížení. Když je pracovní zatížení nízké, poběží nářadí v „režimu vysokých otáček“, aby se urychlilo řezání. Při vysokém pracovním zatížení poběží nářadí v „režimu vysokého točivého momentu“ pro výkonnější řezání.

► **Obr.10:** 1. Indikátor režimu

Indikátor režimu se rozsvítí zeleně, když nářadí poběží v „režimu vysokého točivého momentu“. Pokud bude nářadí při práci přetíženo, začne zeleně blikat indikátor režimu. Jakmile snížíte zatížení nářadí, indikátor režimu přestane blikat, rozsvítí se a poté zhasne.

| Stav indikátoru režimu | | | Provozní režim |
|------------------------|-----------|---|---------------------------------|
| ● Svítí | ○ Nesvítí | ● Bliká | |
| | |  | Režim vysokých otáček |
| | |  | Režim vysokého točivého momentu |
| | |  | Upozornění na přetížení |

Změna otáček

POZOR: Ovladač změny otáček použijte až po úplném zastavení nářadí. Provedete-li změnu otáček před zastavením nářadí, může dojít k jeho poškození.

POZOR: Ovladač regulace otáček vždy pečlivě přesuňte do správné polohy. Budete-li nářadí používat s ovladačem regulace otáček umístěným mezi polohami 1 a 2, může dojít k poškození nářadí.

Ovladačem regulace otáček lze volit dva různé rozsahy otáček.

Budete-li měnit otáčky, stiskněte blokovací tlačítko a otočte ovladač regulace otáček tak, aby ukazatel ukazoval na polohu 1 při nízké rychlosti a na polohu 2 při vysoké rychlosti.

► **Obr.11:** 1. Blokovací tlačítko 2. Ukazatel 3. Ovladač regulace otáček

Omezovač točivého momentu

Omezovač točivého momentu se aktivuje při dosažení určité úrovně točivého momentu při nastavené nízké rychlosti (poloha 1). Motor se odpojí od výstupní hřídele. Dojde-li k této situaci, vrták se zastaví.

Pro opětovné spuštění nářadí vytáhněte vrták z díry a poté znovu stiskněte spoušť.

Funkce prevence neúmyslného opětovného spuštění

Funkce zablokování spouště, aby se zabránilo nechtěnému spuštění. Nářadí se nespustí, pokud stisknete hlavní vypínač a současně stisknete spoušť.

Nářadí znovu spustíte uvolněním spouště a pak spoušť znovu stisknete.

Elektronické funkce

Nářadí je vybaveno následujícími elektronickými funkcemi usnadňujícími provozování.

Elektrická brzda

Toto nářadí je vybaveno elektrickou brzdou. Jestliže se opakovaně stane, že se nářadí zastaví po uvolnění spouště pomalu, nechejte provést servis nářadí v servisním středisku Makita.

Funkce měkkého spuštění

Tato funkce umožňuje plynulé spuštění nástroje omezením počátečního točivého momentu.

Otvor pro popruh

VAROVÁNÍ: Nepoužívejte otvor pro popruh k jiným účelům, než je zavěšení nářadí nebo jeho zajištění proti krádeži. V opačném případě může dojít ke zranění.

► Obr.12: 1. Otvor pro popruh

SESTAVENÍ

Nasazení a sejmutí akumulátoru

UPOZORNĚNÍ: Před nasazením či sejmutím akumulátoru nářadí vždy vypněte.

UPOZORNĚNÍ: Při nasazování či snímání akumulátoru pevně držte nářadí i akumulátor. V opačném případě vám může nářadí nebo akumulátor vyklouznout z rukou a mohlo by dojít k jejich poškození či ke zranění.

► Obr.13: 1. Červený indikátor 2. Tlačítko 3. Akumulátor

Chcete-li akumulátor sejmut, vysuňte jej se současným přesunutím tlačítka na přední straně akumulátoru.

Při nasazování akumulátoru vyrovnejte jazyček na bloku akumulátoru s drážkou v krytu a zasuňte akumulátor na místo. Akumulátor zasuňte na doraz, až zacvakne na své místo. Není-li zcela zajištěn, uvidíte červený indikátor dle obrázku.

UPOZORNĚNÍ: Akumulátor zasunujte vždy zcela tak, aby nebyl červený indikátor vidět. Jinak by mohl akumulátor ze zařízení vypadnout a způsobit zranění obsluze či přihlížejícím osobám.

UPOZORNĚNÍ: Akumulátor nenasazujte násilím. Nelze-li akumulátor zasunout snadno, nevkládejte jej správně.

Montáž šnekového vrtáku

UPOZORNĚNÍ: Před prováděním jakýchkoli prací na nářadí se vždy přesvědčte, zda je vypnuté a je vyjmutý akumulátor.

UPOZORNĚNÍ: Při montáži šnekového vrtáku do vřetene se ujistěte, že je čep šneku zajištěný, a prohlédněte jej, zda není poškozený.

UPOZORNĚNÍ: Při přenášení nářadí z něj odstraňte šnekový vrták.

Montáž šnekového vrtáku do vřetene

POZNÁMKA: Tvar a mechanismus šnekového vrtáku a čepu šneku se mohou lišit v závislosti na šnekovém vrtáku.

Zarovnejte otvor na vřetenu s otvorem na šnekovém vrtáku. Nasadte šnekový vrták do vřetene.

► Obr.14: 1. Šnekový vrták 2. Vřeteno

Upevněte šnekový vrták pomocí čepu šneku a bezpečnostního oka.

► Obr.15: 1. Čep šneku 2. Bezpečnostní oko

PRÁCE S NÁŘADÍM

UPOZORNĚNÍ: Toto je výkonné nářadí, které generuje vysoký točivý moment. Je důležité, aby nářadí bylo bezpečně uchopeno a správně zapřeno.

UPOZORNĚNÍ: Před provozem ověřte, že se na otvorech nebo pohyblivých částech nenachází žádné cizí materiály (písek, hlína atp.).

Postoj při práci

Správná pracovní pozice je jedním z nejdůležitějších a nejefektivnějších postupů zvládnutí zpětného rázu. Používejte správnou pozici dodržováním následujících bodů.

- Umístěte nářadí tak, aby se tyč stabilizační opěrky vždy dotýkala vašeho pasu na levé straně.
- Uchopte držadlo a boční držadlo oběma rukama. Uchopte úchopové oblasti prsty tak, aby se úchopové oblasti nacházely mezi vašimi palci a ukazováčky.
- Zada mějte v co nejsvislejší poloze a popřípadě při procesu vrtání dle potřeby ohněte kolena.
- Mějte se na pozoru před reakční silou točivého momentu nářadí. Vždy mějte takovou provozní pozici, při které dokážete zvládnout reakční sílu točivého momentu.

► Obr.16: 1. Držadlo 2. Boční držadlo 3. Tyč stabilizační opěrky

VAROVÁNÍ: Vyhnete se nesprávné poloze. Nestůjte od nářadí příliš daleko. Pokud dojde ke zpětnému rázu, nemusí být dosaženo správné reakce a zvládnutí nářadí.

► Obr.17

Proces vrtání

⚠ UPOZORNĚNÍ: Při práci držte nářadí pevně.

⚠ UPOZORNĚNÍ: Během provozu držte obličej a ruce mimo dosah vrtacích nástavců, jako je šnekový vrták, veškeré rotující části a odpad z vrtání.

⚠ UPOZORNĚNÍ: Když zařízení opouštíte (například během přestávky), nenechávejte jej zavrtané v půdě ani jej neopírejte o zeď. Nářadí skladujte za stabilních podmínek.

POZOR: Při výrazném snížení rychlosti otáček omezte zatížení nebo nářadí vypněte, aby nedošlo k jeho poškození.

POZOR: Nadměrným tlakem na nářadí vrtání neurychlete. Ve skutečnosti tento nadměrný tlak povede jen k poškození hrotu šnekového vrtáku, snížení účinnosti nářadí a zkrácení jeho životnosti.

POZOR: Nevrtajte do materiálu, u kterého předpokládáte, že obsahuje skryté hřebíky nebo jiné věci, které mohou způsobit uvíznutí nebo prasknutí šnekového vrtáku.

POZOR: Je-li nářadí provozováno nepřetržitě až do vybití akumulátoru, nechejte nářadí po instalaci nabitého akumulátoru před dalším pokračováním v práci 15 minut v klidu.

- Vyberte správně rychlost (vysoká/nízká) v závislosti na průměru otvoru a stavu půdy.
- Při vrtání hluboké díry nebo vrtání do jílovité půdy se snažte nevrtat v jednom kuse. Díru vrtajte zvedáním a spouštěním nářadí tak, aby půda z díry mohla být odstraněna.
- Pokud se rychlost otáček nářadí sníží z důvodu vysoké provozní zátěže, nářadí trochu přizvedněte a zvedejte a snižte jej, abyste vrtali po malých krocích.

Otáčení šnekového vrtáku v opačném směru

Uvíznutý šnekový vrták lze jednoduše uvolnit přepnutím přepínače směru otáčení do opačné polohy.

Při přepínání směru otáčení zapřete nářadí o své tělo tak, aby nedošlo k reakci po směru hodinových ručiček.

► Obr.18

⚠ UPOZORNĚNÍ: Držte nářadí pevně. Nářadí může nečekaně vyskočit a způsobit zranění.

ÚDRŽBA

⚠ UPOZORNĚNÍ: Před zahájením kontroly nebo údržby nářadí se vždy ujistěte, zda je vypnuté a je vyjmut akumulátor.

POZOR: Nikdy nepoužívejte benzín, benzen, ředidlo, alkohol či podobné prostředky. Mohlo by tak dojít ke změnám barvy, deformacím či vzniku prasklin.

K zachování BEZPEČNOSTI a SPOLEHLIVOSTI výrobku musí být opravy a veškerá další údržba či seřizování prováděny autorizovanými nebo továrními servisními středisky společnosti Makita s využitím náhradních dílů Makita.

VOLITELNÉ PŘÍSLUŠENSTVÍ

⚠ UPOZORNĚNÍ: Pro nářadí Makita popsané v tomto návodu doporučujeme používat následující příslušenství a nástavce. Při použití jiného příslušenství či nástavců může hrozit nebezpečí zranění osob. Příslušenství lze používat pouze pro stanovené účely.

Potřebujete-li bližší informace ohledně tohoto příslušenství, obraťte se na místní servisní středisko společnosti Makita.

- Šnekové vrtáky
- Sada rukojeti
- Prodlužovací tyč šnekových vrtáků
- Originální akumulátor a nabíječka Makita

POZNÁMKA: Některé položky seznamu mohou být k nářadí přibaleny jako standardní příslušenství. Přibalené příslušenství se může v různých zemích lišit.

ТЕХНІЧНІ ХАРАКТЕРИСТИКИ

| Модель: | | DDG461 |
|---|--------|--|
| Частота обертання в режимі холостого ходу | Висока | 0 – 1 400 хв ⁻¹ |
| | Низька | 0 – 350 хв ⁻¹ |
| Максимальний діаметр свердління (діаметр) | Висока | Для піщаного ґрунту: ø60 мм Для глинистого ґрунту: ø60 мм |
| | Низька | Для піщаного ґрунту: ø200 мм Для глинистого ґрунту: ø150 мм |
| Загальна довжина | | 840 мм ^{*1} |
| Номінальна напруга | | 36 В пост. струму |
| Маса нетто | | 7,0 - 7,6 кг |

*1 З бічною рукояткою

- Оскільки наша програма наукових досліджень і розробок триває безперервно, наведені тут технічні характеристики можуть бути змінені без попередження.
- У різних країнах технічні характеристики можуть бути різними.
- Вага може відрізнятись залежно від допоміжного обладнання, наприклад касети з акумулятором. Найлегші та найважчі комплекти, відповідно до стандарту ЕРТА (Європейська асоціація виробників електроінструменту) від січня 01/2014 року, представлено в таблиці.

Застосовна касета з акумулятором і зарядний пристрій

| | |
|-----------------------|---|
| Касета з акумулятором | BL1815N / BL1820B / BL1830B / BL1840B / BL1850B / BL1860B |
| Зарядний пристрій | DC18RC / DC18RD / DC18RE / DC18SD / DC18SE / DC18SF / DC18SH / DC18WC |

- Деякі касети з акумулятором і зарядні пристрої, які вказано вище, можуть бути недоступними залежно від вашого регіону або місця перебування.

⚠ПОПЕРЕДЖЕННЯ: Використовуйте лише касети з акумулятором і зарядні пристрої, перелічені вище. Використання будь-яких інших касет з акумулятором і зарядних пристроїв може призвести до травмування й/або пожежі.

Рекомендоване джерело енергопостачання з дротовим підключенням

| | |
|---------------------------|-----------------|
| Портативний блок живлення | PDC01 / PDC1200 |
|---------------------------|-----------------|

- У деяких регіонах певні моделі джерел енергопостачання з дротовим підключенням, які вказано вище, можуть бути недоступні.
- Перед використанням джерела енергопостачання з дротовим підключенням прочитайте інструкції та попереджувальні написи на них.

Призначення

Цей інструмент призначений для буріння ґрунту.

Шум

Рівень шуму за шкалою А в типовому виконанні, визначений відповідно до стандарту EN62841-2-1:

Виміряно під час використання за призначенням

Рівень звукового тиску (L_{pA}): 84 дБ (А)

Рівень звукової потужності (L_{WA}): 95 дБ (А)

Похибка (К): 3 дБ (А)

ПРИМІТКА: Заявлене значення шуму було виміряно відповідно до стандартних методів тестування й може використовуватися для порівняння одного інструмента з іншим.

ПРИМІТКА: Заявлене значення шуму може також використовуватися для попереднього оцінювання впливу.

⚠ПОПЕРЕДЖЕННЯ: Користуйтеся засобами захисту органів слуху.

⚠ПОПЕРЕДЖЕННЯ: Залежно від умов використання рівень шуму під час фактичної роботи електроінструмента може відрізнятись від заявленого значення вібрації; особливо сильно на це впливає тип деталі, що оброблюється.

⚠ПОПЕРЕДЖЕННЯ: Забезпечте належні запобіжні заходи для захисту оператора, що відповідатимуть умовам використання інструмента (слід брати до уваги всі складові робочого циклу, як-от час, коли інструмент вимкнено та коли він починає працювати на холостому ході під час запуску).

Вібрація

Загальна величина вібрації (векторна сума трьох напрямків) визначена згідно з EN62841-1:

Виміряно під час використання за призначенням
Вібрація ($a_{h,D}$): 2,5 m/c^2 або менше
Похибка (K): 1,5 m/c^2

ПРИМІТКА: Заявлене загальне значення вібрації було виміряно відповідно до стандартних методів тестування й може використовуватися для порівняння одного інструмента з іншим.

ПРИМІТКА: Заявлене загальне значення вібрації може також використовуватися для попереднього оцінювання впливу.

▲ПОПЕРЕДЖЕННЯ: Залежно від умов використання вібрація під час фактичної роботи електроінструмента може відрізнятись від заявленого значення вібрації; особливо сильно на це впливає тип деталі, що оброблюється.

▲ПОПЕРЕДЖЕННЯ: Забезпечте належні запобіжні заходи для захисту оператора, що відповідатимуть умовам використання інструмента (слід брати до уваги всі складові робочого циклу, як-от час, коли інструмент вимкнено та коли він починає працювати на холостому ході під час запуску).

Декларації відповідності

Тільки для країн Європи

Декларації відповідності наведено в Додатку А цієї інструкції з експлуатації.

ПОПЕРЕДЖЕННЯ ПРО ДОТРИМАННЯ ТЕХНІКИ БЕЗПЕКИ

Загальні застереження щодо техніки безпеки при роботі з електроінструментами

▲ПОПЕРЕДЖЕННЯ Уважно ознайомтеся з усіма попередженнями, інструкціями, рисунками й технічними характеристиками, які стосуються цього електроінструмента. Невиконання наведених далі інструкцій може призвести до ураження електричним струмом, пожежі й (або) тяжких травм.

Збережіть усі інструкції з техніки безпеки та експлуатації на майбутнє.

Термін «електроінструмент», зазначений у інструкції з техніки безпеки, стосується електроінструмента, який функціонує від електромережі (електроінструмент з кабелем живлення), або електроінструмента з живленням від батареї (безпроводний електроінструмент).

Техніка безпеки під час роботи з акумуляторним буром

1. **Тримайте інструмент обома руками за призначені для цього ручки.** Утрата контролю над інструментом може призвести до травмування.
2. **Надійно зафіксуйте інструмент перед використанням.** Інструмент створює високий крутний момент на вихідному валу, і відсутність надійної фіксації інструмента під час роботи може призвести до втрати контролю й травми.
3. **Тримайте електроінструмент за спеціальні ізольовані поверхні під час роботи в місцях, де бурове приладдя може зачепити приховану електропроводку.** Торкання буровим приладдям дроту під напругою може призвести до передавання напруги до оголених металевих частин інструмента й ураження оператора електричним струмом.
4. **Забороно працювати на робочій частоті, яка перевищує максимальне номінальне значення для гвинтового свердла для ґрунту.** На більш високих швидкостях свердло може зігнути, якщо обертається вільно без контакту із заготівкою, що може призвести до травми.
5. **Завжди починайте виймання ґрунту на низькій робочій частоті, притиснувши кінчик гвинтового свердла до ґрунту.** На вищих робочих частотах свердло може зігнути, якщо обертається вільно без контакту з ґрунтом, що може призвести до травми.
6. **Тисніть на інструмент тільки за віссю свердла й не притискайте його занадто сильно.** Свердла можуть зігнути, що призведе до поломки або втрати контролю – це може стати причиною травми.
7. **Зовнішній діаметр гвинтового свердла не має перевищувати максимальний діаметр буріння, зазначений у цьому посібнику.** Гвинтове свердло неправильного розміру неможливо контролювати належним чином.
8. **Обов'язково забезпечте надійну опору.** При виконанні робіт з інструментом на висоті переконайтеся, що внизу нікого немає.
9. **Тримайте інструмент міцно.**
10. **Не торкайтеся руками деталей, що обертаються.**
11. **Не залишайте інструмент, який працює.** Працюйте з інструментом тільки тоді, коли тримаєте його в руках.
12. **Не торкайтеся наконечника гвинтового свердла відразу після обробки:** воно може бути дуже гарячим і спричинити опіки.
13. **Деякі матеріали мають у своєму складі токсичні хімічні речовини.** Будьте обережні, щоб не допустити вдихання пилу та його контакту зі шкірою. Дотримуйтеся правил техніки безпеки виробника матеріалу.
14. **Якщо гвинтове свердло неможливо послабити, навіть видаливши штифт гвинтового свердла, витягніть його за допомогою плоскогубців.** Витягуючи гвинтове свердло руками в такому випадку, можна порізатися його гострим краєм.

15. У разі появи проблем у роботі інструмента, наприклад незвичних звуків, негайно припиніть роботу та зверніться до місцевого сервісного центру компанії Makita для проведення ремонту.
16. Перед початком роботи переконайтеся в тому, що під поверхнею землі не проходять лінії електропостачання, водопроводи або газопроводи. Контакт інструмента з такими об'єктами призведе до удару електричним струмом, витоку струму або газу.

ЗБЕРІГАЙТЕ ЦІ ВКАЗІВКИ.

▲ПОПЕРЕДЖЕННЯ: НИКОЛИ НЕ втрачайте пильності та не розслабляйтеся під час користування виробом (що можливо при частому використанні); обов'язково строго дотримуйтеся відповідних правил безпеки. **НЕНАЛЕЖНЕ ВИКОРИСТАННЯ** або недотримання правил техніки безпеки, викладених у цій інструкції з експлуатації, може призвести до серйозних травм.

Важливі інструкції з безпеки для касети з акумулятором

1. Перед тим як користуватися касетою з акумулятором, слід прочитати всі інструкції та застережні знаки щодо (1) зарядного пристрою акумулятора, (2) акумулятора та (3) виробів, що працюють від акумулятора.
2. Не розбирайте касету з акумулятором і не змінюйте її конструкцію. Це може призвести до пожежі, перегріву або вибуху.
3. Якщо період роботи дуже покоротшав, слід негайно припинити користування. Це може призвести до виникнення ризику перегріву, опіку та навіть вибуху.
4. У разі потраплення електричності в очі слід промити їх чистою водою та негайно звернутися до лікаря. Це може призвести до втрати зору.
5. Не закоротіть касету з акумулятором.
 - (1) Не слід торкатися клеєм будь-яким струмопровідним матеріалом.
 - (2) Не слід зберігати касету з акумулятором у ємності з іншими металевими предметами, такими як цвяхи, монети тощо.
 - (3) Не залишайте касету з акумулятором під дощем, запобігайте контакту з водою.
 Коротке замикання може призвести до появи значного струму, перегріву, можливих опіків та навіть виходу з ладу.
6. Не слід зберігати й використовувати інструмент і касету з акумулятором у місцях, де температура може сягнути чи перевищити 50 °C (122 °F).
7. Не слід спалювати касету з акумулятором, навіть якщо вона була неодноразово пошкоджена або повністю спрацьована. Касета з акумулятором може вибухнути у вогні.
8. Заборонено забивати цвяхи в касету з акумулятором, різати, ламати, кидати, впускати касету з акумулятором або вдаряти її твердим предметом. Це може призвести до пожежі, перегріву або вибуху.

9. Не слід використовувати пошкоджений акумулятор.
10. Літій-іонні акумулятори, що містяться в інструменті, мають відповідати вимогам законів про небезпечні товари. Під час транспортування за допомогою комерційних перевезень, наприклад із залученням третьої сторони та експедиторів, необхідно дотримуватись особливих вимог, вказаних на пакуванні й у маркуванні. Під час підготовки позиції до відправлення необхідно проконсультуватись зі спеціалістом з небезпечних матеріалів. Крім того, слід виконувати більш докладні національні настанови, якщо такі є. Заклейте відкриті контакти стрічкою або заховайте їх і запакуйте акумулятор таким чином, щоб він не міг рухатися в пакуванні.
11. Для утилізації касети з акумулятором витягніть її з інструмента та утилізуйте безпечним способом. Дотримуйтеся норм місцевого законодавства щодо утилізації акумуляторів.
12. Використовуйте акумулятори лише з виробами, указаними компанією Makita. Установлення акумуляторів у невідповідні вироби може призвести до пожежі, надмірного нагрівання, вибуху чи витоку електричності.
13. Якщо інструментом не користуватимуться протягом тривалого періоду часу, вийміть акумулятор з інструмента.
14. Під час і після використання касета з акумулятором може нагріватися, що може стати причиною опіків або низькотемпературних опіків. Будьте обережні під час поводження з гарячою касетою з акумулятором.
15. Не торкайтеся контактів інструмента відразу після використання, оскільки він може бути досить гарячим, щоб викликати опіки.
16. Не допускайте, щоб уламки, пил або земля прилипали до контактів, отворів і пазів на касеті з акумулятором. Це може призвести до перегріву, займання, вибуху та виходу з ладу інструмента або касети з акумулятором і спричинити опіки або травми.
17. Якщо інструмент не розраховано на використання поблизу високовольтних ліній електропередач, не використовуйте касету з акумулятором поблизу високовольтних ліній електропередач. Це може призвести до несправності, поломки інструмента або касети з акумулятором.
18. Тримайте акумулятор у недоступному для дітей місці.

ЗБЕРІГАЙТЕ ЦІ ВКАЗІВКИ.

▲ОБЕРЕЖНО: Використовуйте тільки акумулятори Makita. Використання акумуляторів, інших ніж оригінальні акумулятори Makita, або акумуляторів, конструкцію яких було змінено, може призвести до вибуху акумулятора і спричинити пожежу, травму або пошкодження. У зв'язку з цим також буде анульовано гарантію Makita на інструмент Makita і на зарядний пристрій.

Поради з забезпечення максимального строку експлуатації акумулятора

1. Касету з акумулятором слід заряджати до того, як він розрядиться повністю. Завжди слід зупиняти роботу інструмента та зарядити акумулятор, якщо ви помітили зменшення потужності інструмента.
2. Ніколи не слід заряджати повторно повністю заряджену касету з акумулятором. Перезарядження скорочує строк експлуатації акумулятора.
3. Заряджайте касету з акумулятором при кімнатній температурі 10°C - 40°C (50°F - 104°F). Перед тим як заряджати касету з акумулятором, слід зачекати, доки вона охолоне.
4. Коли касета з акумулятором не використовується, виймайте її з інструмента або зарядного пристрою.
5. Якщо касета з акумулятором не використовувалася тривалий час (понад шість місяців), її слід зарядити.

ПОЧАТКОВЕ НАЛАШТУВАННЯ

⚠ ОБЕРЕЖНО: Обов'язково переконайтеся, що прилад вимкнено, а касету з акумулятором знято, перш ніж проводити будь-які роботи з інструментом.

ОПИС ДЕТАЛЕЙ

► Рис. 1

| | | | |
|---|---------------------|---|---------------------|
| 1 | Основний інструмент | 2 | Передня ручка |
| 3 | Бічна рукоятка | 4 | Компенсатор віддачі |
| 5 | Болт | 6 | Гайковий ключ |

Технічні характеристики болта / гайкового ключа

| | Номінальний діаметр болта | Розмір гайкового ключа (H) |
|---|---------------------------|----------------------------|
| A | M 12 | 10 мм |
| B | M 8 | 6 мм |
| C | M 6 | 5 мм |

Налаштування інструмента

⚠ ОБЕРЕЖНО: Перед початком роботи слід надійно встановити передню рукоятку, бічну рукоятку й компенсатор віддачі.

УВАГА: Не затягуйте болти занадто сильно. Це може призвести до пошкодження інструмента.

Установлення бічної рукоятки

Викрутіть з інструмента болти, показані на рисунку. Збережіть болти, щоб вони не загубилися.

► Рис.2: 1. Болт

Установіть бічну рукоятку на інструмент. Тимчасово затягніть усі чотири болти, після чого надійно затягніть їх ключем.

► Рис.3: 1. Бічна рукоятка 2. Болт А 3. Болт В

Установлення компенсатора віддачі

Установіть компенсатор віддачі таким чином, щоб його планка була ліворуч від оператора. Відрегулюйте положення компенсатора віддачі таким чином, щоб вісь шпинделя була по центру тіла оператора. Надійно затягніть болти.

► Рис.4: 1. Планка компенсатора віддачі 2. Болт С

ОПИС РОБОТИ

⚠ ОБЕРЕЖНО: Обов'язково переконайтеся, що прилад вимкнено, а касету з акумулятором знято, перед регулюванням або перевіркою функціонування інструмента.

Відображення залишкового заряду акумулятора

Тільки для касет з акумулятором, які мають індикатори

► Рис.5: 1. Індикаторні лампи 2. Кнопка перевірки

Натисніть кнопку перевірки на касеті з акумулятором для відображення залишкового ресурсу акумулятора. Індикаторні лампи загоряться на кілька секунд.

| Індикаторні лампи | | | Залишковий ресурс |
|-------------------|-------|--------|------------------------------------|
| Горить | Вимк. | Блимає | |
| ■ | □ | ▧ | від 75 до 100% |
| ■ | ■ | □ | від 50 до 75% |
| ■ | ■ | □ | від 25 до 50% |
| ■ | □ | □ | від 0 до 25% |
| ▧ | □ | □ | Зарядіть акумулятор. |
| ■ | ■ | □ | Можливо, акумулятор вийшов з ладу. |
| □ | □ | ■ | |

ПРИМІТКА: Залежно від умов використання та температури оточуючого середовища показання можуть незначним чином відрізнитися від дійсного ресурсу.

ПРИМІТКА: Перша (дальня ліва) індикаторна лампа блимає під час роботи захисної системи акумулятора.

Система захисту інструмента/акумулятора

Інструмент оснащено системою захисту інструмента/акумулятора. Ця система автоматично вимикає живлення двигуна з метою збільшення терміну служби інструмента та акумулятора. Інструмент автоматично зупиняється під час роботи, якщо інструмент або акумулятор перебувають у зазначених нижче умовах.

Захист від перевантаження

Якщо інструмент або акумулятор використовуються в умовах надмірного споживання струму, він автоматично зупиняється. У такому разі вимкніть інструмент і припиніть роботу, під час виконання якої інструмент зазнав перевантаження. Щоб перезапустити інструмент, увімкніть його знову.

Захист від перегрівання

Коли інструмент/акумулятор перегріється, інструмент зупиниться автоматично. У такому разі дозвольте інструменту/акумулятору охолонути, перш ніж знову увімкнути інструмент.

Захист від надмірного розрядження

Коли заряд акумулятора стає недостатнім для подальшої роботи, інструмент автоматично зупиняється. У такому випадку вийміть акумулятор з інструмента та зарядіть його.

Захист від інших неполадок

Система захисту також забезпечує захист від інших неполадок, які можуть призвести до пошкодження інструмента, і забезпечує автоматичне зупинення інструмента. У разі тимчасової зупинки або припинення роботи інструмента виконайте всі зазначені нижче дії для усунення причини зупинки.

1. Вимкніть і знову увімкніть інструмент, щоб перезапустити його.
2. Зарядіть акумулятор(-и) або замініть його(їх) зарядженим(-и).
3. Дайте інструменту й акумулятору(-ам) охолонути.

Якщо після відновлення вихідного стану системи захисту ситуація не зміниться, зверніться до місцевого сервісного центру Makita.

Вимикач живлення

▲ПОПЕРЕДЖЕННЯ: Коли інструмент не використовується, вимкніть його й установіть важіль перемикача реверсу в нейтральне положення, щоб заблокувати курок. Після вимкнення інструмента індикатор живлення має згаснути.

Щоб привести інструмент у стан готовності, натискайте кнопку живлення, поки не ввімкнеться індикатор живлення. Щоб вимкнути, натисніть кнопку живлення повторно.

► **Рис.6:** 1. Головна кнопка живлення 2. Індикатор живлення

ПРИМІТКА: Цей пристрій має функцію автоматичного вимкнення. Щоб запобігти ненавмисному запуску, вимикач живлення автоматично вимикатиметься, якщо не натискати на курок вмикача протягом приблизно 5 хвилин після ввімкнення вмикача живлення.

Дія вмикача

▲ОБЕРЕЖНО: Перед тим як вставляти касету з акумулятором в інструмент, обов'язково перевірте, чи курок вмикача спрацьовує належним чином та повертається у положення «ВИМК.», коли його відпускають.

► **Рис.7:** 1. Курок вмикача

Для увімкнення інструмента натисніть курок вмикача за увімкненого перемикача живлення. Швидкість інструмента зростає, якщо збільшити тиск на курок вмикача. Щоб зупинити роботу, відпустіть курок вмикача.

ПРИМІТКА: Інструмент автоматично зупиняється у разі натискання на курок вмикача упродовж приблизно 6 хвилин.

Увімкнення переднього підсвічування

▲ОБЕРЕЖНО: Не дивіться на світло або безпосередньо на джерело світла.

► **Рис.8:** 1. Лампа

Натисніть на курок вмикача, щоб увімкнути підсвічування. Лампа світитиметься, поки курок вмикача натиснуто. Підсвічування згасне приблизно за 10 секунд після відпускання курка вмикача.

ПРИМІТКА: Якщо інструмент перегрівся, він автоматично вимикається і лампа підсвічування починає блимати. У такому випадку відпустіть курок вмикача. Лампа підсвічування гасне через 5 хвилину.

ПРИМІТКА: Для очищення скла лампи підсвічування протріть її сухою тканиною. Будьте обережні, щоб не подряпати скло лампи підсвічування, тому що це погіршить освітлювання.

Робота перемикача реверсу

⚠ ОБЕРЕЖНО: Перед початком роботи обов'язково перевіряйте напрям обертання.

⚠ ОБЕРЕЖНО: Перемикач реверсу можна використовувати тільки після повної зупинки інструмента. Зміна напрямку обертання до повної зупинки інструмента може призвести до його пошкодження.

⚠ ОБЕРЕЖНО: Коли інструмент не використовується, важіль перемикача реверсу повинен знаходитися в нейтральному положенні.

Цей інструмент обладнано перемикачем реверсу для зміни напрямку обертання. Для обертання за годинниковою стрілкою пересуньте важіль перемикача реверсу в положення А, проти годинникової стрілки — у положення В. Якщо важіль перемикача реверсу знаходиться в нейтральному положенні, важіль вмикача потягнути неможливо.

► **Рис.9:** 1. Важіль перемикача реверсу

Функція автоматичної зміни швидкості

Цей інструмент має «режим високої швидкості» та «режим високого крутного моменту».

Інструмент змінює режим роботи автоматично залежно від робочого навантаження. За невеликого робочого навантаження інструмент працюватиме в режимі високої частоти обертання для пришвидшення роботи. Якщо ж навантаження стане високим, інструмент перейде в режим високого крутного моменту для збільшення потужності.

► **Рис.10:** 1. Індикатор режиму

Коли інструмент працює в режимі високого крутного моменту, індикатор режиму загоряється зеленим кольором.

Якщо інструмент працює з надмірним навантаженням, індикатор режиму буде блимати зеленим кольором. Індикатор режиму перестає блимати, а потім загоряється або вимикається, якщо зменшити навантаження на інструмент.

| Стан індикатора режиму | | | Режим роботи |
|---|---|--|---------------------------------|
|  Увімк. |  Вимк. |  Блимає | |
| |  | | Режим високої частоти обертання |
| |  | | Режим високого крутного моменту |
| |  | | Сигнал про перевантаження |

Зміна швидкості

УВАГА: Використовуйте ручку зміни швидкості тільки після повної зупинки інструмента. Зміна швидкості обертання до повної зупинки інструмента може привести до його пошкодження.

УВАГА: Завжди встановлюйте ручку зміни швидкості в правильне положення до кінця. Якщо під час роботи з інструментом ручка зміни швидкості знаходиться у проміжному положенні між 1 і 2, це може привести до пошкодження інструмента.

За допомогою ручки зміни швидкості можна попередньо вибрати два діапазони швидкості. Для зміни швидкості натисніть кнопку блокування та поверніть кнопку регулювання швидкості, сумістивши покажчик з відміткою 1 для вибору низької швидкості або з відміткою 2 для вибору високої швидкості.

► **Рис.11:** 1. Кнопка блокування 2. Покажчик 3. Кнопка регулювання швидкості

Обмежувач крутного моменту

Обмежувач крутного моменту вмикається після досягнення певного значення крутного моменту, якщо обрано низьку швидкість (положення 1). Відбувається розчеплення двигуна й вихідного вала. Після цього свердло інструмента перестає обертатися.

Щоб перезапустити інструмент, вийміть свердло інструмента з отвору й знову натисніть курок вмикача.

Функція запобігання раптовому перезапуску

Функція блокування курка вмикача для запобігання ненавмисному спрацьовуванню. Інструмент не запуститься, якщо натиснути головну кнопку живлення, натиснувши на курок вмикача.

Щоб перезапустити інструмент, відпустіть курок вмикача, а потім знову натисніть його.

Функції електронного обладнання

Для полегшення роботи інструмент оснащено електронними функціями, описаними нижче.

Електричне гальмо

Цей інструмент обладнано електричним гальмом. Якщо після відпускання курка вмикача не відбувається швидкого припинення роботи інструмента, зверніться до сервісного центру Makita для обслуговування інструмента.

Функція плавного запуску

Ця функція також забезпечує плавний запуск інструмента, обмежуючи обертальний момент під час пуску.

Отвір для ременя

⚠ ПОПЕРЕДЖЕННЯ: Використовуйте отвір для ременя тільки для підвішування інструмента або запобігання його крадіжки. Недотримання цієї рекомендації може призвести до травми.

► **Рис.12:** 1. Отвір для ременя

ЗБОРКА

Встановлення та зняття касети з акумулятором

▲ОБЕРЕЖНО: Завжди вимикайте інструмент перед встановленням або зняттям касети з акумулятором.

▲ОБЕРЕЖНО: Під час встановлення або зняття касети з акумулятором слід міцно тримати інструмент та касету з акумулятором. Якщо ви утримуватимете інструмент та касету з акумулятором недостатньо міцно, вони можуть вислизнути з рук, що може призвести до пошкодження інструмента та касети з акумулятором або може спричинити травми.

- **Рис.13:** 1. Червоний індикатор 2. Кнопка 3. Касета з акумулятором

Щоб зняти касету з акумулятором, слід витягнути її з інструмента, натиснувши на кнопку в передній частині касети.

Щоб установити касету з акумулятором, слід сумістити виступ на касеті з акумулятором із пазом у корпусі й вставити касету на місце. Вставляйте її до кінця, щоб вона зафіксувалася з легким клацанням. Якщо ви бачите червоний індикатор, як показано на рисунку, її не зафіксовано повністю.

▲ОБЕРЕЖНО: Завжди вставляйте касету з акумулятором повністю, щоб червоного індикатора не було видно. Якщо цього не зробити, касета може випадково випасти з інструмента та завдати травми вам або людям, що знаходяться поряд.

▲ОБЕРЕЖНО: Не встановлюйте касету з акумулятором із зусиллям. Якщо касета не вставляється легко, то це означає, що ви її неправильно вставляєте.

Установлення гвинтового свердла

▲ОБЕРЕЖНО: Обов'язково переконайтеся, що прилад вимкнено, а касету з акумулятором знято, перш ніж проводити будь-які роботи з інструментом.

▲ОБЕРЕЖНО: Прикріплюючи гвинтове свердло до шпинделя упевніться, що штифт гвинтового свердла зафіксовано, і перевірте штифт гвинтового свердла на предмет пошкоджень.

▲ОБЕРЕЖНО: Під час перенесення інструмента виймайте гвинтове свердло з інструмента.

Установлення гвинтового свердла на шпиндель

ПРИМІТКА: Форма й механізм гвинтового свердла та штифт гвинтового свердла можуть різнитися залежно від типу гвинтового свердла.

Зіставте отвір на шпинделі з отвором на гвинтовому свердлі.

Одягніть гвинтове свердло на шпиндель.

- **Рис.14:** 1. Гвинтове свердло 2. Шпиндель

Зафіксуйте гвинтове свердло штифтом гвинтового свердла й запобіжним фіксатором.

- **Рис.15:** 1. Штифт гвинтового свердла 2. Запобіжний фіксатор

РОБОТА

▲ОБЕРЕЖНО: Цей потужний інструмент генерує високий крутний момент. Важливо надійно втримувати та правильно фіксувати цей інструмент.

▲ОБЕРЕЖНО: Перед початком роботи переконайтеся, що в отворах або рухомих частинах не застрягли сторонні предмети (пісок, бруд тощо).

Робоче положення

Підтримання правильного робочого положення є однією з найбільш важливих і ефективних процедур для контролю віддачі.

Зберігайте правильне положення, дотримуючись рекомендацій у зазначених далі пунктах.

- Розташуйте інструмент таким чином, щоб планка компенсатора віддачі завжди торкалася вашої талії з лівого боку.
- Тримайтеся за рукоятку й бічну рукоятку двома руками. Охоплюйте пальцями поверхні захоплення, утримуючи поверхні захоплення між великим і вказівним пальцями.
- Тримайте спину максимально вертикально, згинаючи ноги за потреби під час виймання ґрунту.
- Пам'ятайте про віддачу від крутного моменту інструмента. Завжди зберігайте таке робоче положення, яке дозволить контролювати віддачу від крутного моменту.

- **Рис.16:** 1. Рукоятка 2. Бічна рукоятка 3. Планка компенсатора віддачі

▲ПОПЕРЕДЖЕННЯ: Уникайте неправильного положення. Не стійте занадто далеко від інструмента. Це ускладнить реакцію та контроль у разі віддачі.

- **Рис.17**

Виймання ґрунту

⚠ОБЕРЕЖНО: Під час роботи міцно тримайте інструмент.

⚠ОБЕРЕЖНО: Під час роботи тримайте обличчя та руки подалі від насадок для свердління, як-от гвинтового свердла, будь-яких частин, що обертаються, і відходів свердління.

⚠ОБЕРЕЖНО: Залишаючи інструмент без нагляду, наприклад на час перерви, не вставляйте інструмент у ґрунт в не притуляйте його до стіни. Зберігайте інструмент у стійкому положенні.

УВАГА: Коли частота обертання сильно знижується, слід зменшити навантаження або зупинити інструмент, щоб уникнути його пошкодження.

УВАГА: Прикладання до інструмента надмірного тиску не пришвидшує виймання ґрунту. Насправді надмірний тиск може лише пошкодити гвинтове свердло, погіршити характеристики інструмента й скоротити термін його експлуатації.

УВАГА: Не виконуйте виймання матеріалів, у яких можуть трапитися цвяхи або інші непомітні предмети – це може призвести до заклинювання або поломки гвинтового свердла.

УВАГА: У разі неперервної роботи інструмента до повного розрядження касети з акумулятором необхідно зробити перерву на 15 хвилин, перш ніж продовжити роботу з новим акумулятором.

- Виберіть відповідну швидкість (високу/низьку) залежно від діаметру отвору та умов ґрунту.
- Під час виймання ґрунту для глибокого отвору або виймання глинистого ґрунту не намагайтеся виконати операцію за один підхід. Під час виймання ґрунту піднімайте й опускайте інструмент таким чином, щоб ґрунт можна було вийняти з отвору.
- Якщо частота обертання інструмента знижується через високе навантаження, трохи підніміть інструмент і рухайте його вгору й вниз, щоб виконати виймку в кілька коротких етапів.

Під час обертання гвинтового свердла у зворотному напрямку

Гвинтове свердло, яке застрягло, можна легко вийняти, встановивши важіль перемикача реверсу на зворотній напрямок обертання, щоб отримати задній хід.

У разі зміни напрямку обертання зафіксуйте інструмент біля тіла, щоб уникнути руху за годинниковою стрілкою.

► Рис.18

⚠ОБЕРЕЖНО: Тримайте інструмент міцно. Інструмент може різко зміститися назад і заподіяти травму.

ТЕХНІЧНЕ ОБСЛУГОВУВАННЯ

⚠ОБЕРЕЖНО: Перед здійсненням перевірки або обслуговування завжди перевіряйте, щоб інструмент був вимкнений, а касета з акумулятором була знята.

УВАГА: Ніколи не використовуйте газолін, бензин, розріджувач, спирт та подібні речовини. Їх використання може призвести до зміни кольору, деформації або появи тріщин.

Для забезпечення БЕЗПЕКИ та НАДІЙНОСТІ продукції, її ремонт, а також роботи з обслуговування або регулювання повинні виконуватись уповноваженими або заводськими сервісними центрами Makita із використанням запчастин виробництва компанії Makita.

ДОДАТКОВЕ ПРИЛАДДЯ

⚠ОБЕРЕЖНО: Це додаткове та допоміжне обладнання рекомендовано використовувати з інструментом Makita, зазначеним у цій інструкції з експлуатації. Використання будь-якого іншого додаткового та допоміжного обладнання може становити небезпеку травмування. Використовуйте додаткове та допоміжне обладнання лише за призначенням.

У разі необхідності отримати допомогу в більш детальному ознайомленні з оснащенням звертайтеся до місцевого сервісного центру Makita.

- Гвинтові свердла
- Рукотка в комплекті
- Подовжувач гвинтового свердла
- Оригінальний акумулятор та зарядний пристрій Makita

ПРИМІТКА: Деякі елементи списку можуть входити до комплекту інструмента як стандартне приладдя. Вони можуть відрізнятися залежно від країни.

SPECIFICAȚII

| | | |
|-------------------------------------|----------------|--|
| Model: | | DDG461 |
| Turație în gol | Turație înaltă | 0 - 1.400 min ⁻¹ |
| | Turație joasă | 0 - 350 min ⁻¹ |
| Capacități de găurire (Diametru) | Turație înaltă | Pentru sol nisipos: ø60 mm Pentru sol argilos: ø60 mm |
| | Turație joasă | Pentru sol nisipos: ø200 mm Pentru sol argilos: ø150 mm |
| Lungime totală | | 840 mm ⁻¹ |
| Tensiune nominală | | 36 V cc. |
| Greutate netă | | 7,0 - 7,6 kg |

*1 Cu mâner lateral

- Datorită programului nostru continuu de cercetare și dezvoltare, specificațiile pot fi modificate fără o notificare prealabilă.
- Specificațiile pot varia în funcție de țară.
- Greutatea poate diferi în funcție de accesoriu(ii), inclusiv cartușul acumulatorului. În tabel se prezintă combinația cea mai ușoară și cea mai grea, conform Procedurii EPTA 01/2014.

Cartușul acumulatorului și încărcătorul aplicabile

| | |
|-------------------------|---|
| Cartușul acumulatorului | BL1815N / BL1820B / BL1830B / BL1840B / BL1850B / BL1860B |
| Încărcător | DC18RC / DC18RD / DC18RE / DC18SD / DC18SE / DC18SF / DC18SH / DC18WC |

- Este posibil ca unele cartușe ale acumulatorilor și încărcătoare menționate mai sus să nu fie disponibile în funcție de regiunea dvs. de reședință.

⚠️ AVERTIZARE: Utilizați numai cartușele de acumulator și încărcătoarele enumerate mai sus. Utilizarea oricărui altor cartușe de acumulator și încărcătoare poate duce la rănire și/sau incendiu.

Sursă de alimentare cu conectare prin cablu recomandată

| | |
|-----------------------------|-----------------|
| Bloc de alimentare portabil | PDC01 / PDC1200 |
|-----------------------------|-----------------|

- Este posibil ca sursa/sursele de alimentare cu conectare prin cablu menționată(e) mai sus să nu fie disponibilă(e) în funcție de regiunea dumneavoastră de reședință.
- Înainte de a utiliza sursa de alimentare cu conectare prin cablu, citiți instrucțiunile și atenționările de pe aceasta.

Destinația de utilizare

Mașina este destinată forării solului.

Zgomot

Nivelul de zgomot normal ponderat A determinat în conformitate cu EN62841-2-1:

Măsurat în funcție de utilizarea preconizată

Nivel de presiune acustică ($L_{p(A)}$): 84 dB(A)

Nivel de putere acustică (L_{WA}): 95 dB(A)

Marjă de eroare (K): 3 dB(A)

NOTĂ: Valoarea (valorile) totală(e) a (ale) emisiilor de zgomot declarate a(u) fost măsurată(e) în conformitate cu o metodă de test standard și poate (pot) fi utilizată(e) pentru compararea unei nelute cu alta.

NOTĂ: Valoarea (valorile) totală(e) a (ale) emisiilor de zgomot declarate poate (pot) fi, de asemenea, utilizată(e) într-o evaluare preliminară a expunerii.

⚠️ AVERTIZARE: Purtați echipament de protecție pentru urechi.

⚠️ AVERTIZARE: Emisiile de zgomot în timpul utilizării efective a unelei electrice poate diferi de valoarea (valorile) nivelului declarat, în funcție de modul în care unealta este utilizată, în special ce fel de piesă este prelucrată.

⚠️ AVERTIZARE: Asigurați-vă că identificați măsurile de siguranță pentru a proteja operatorul, acestea fiind bazate pe o estimare a expunerii în condiții reale de utilizare (luând în considerare toate părțile ciclului de operare, precum timpii în care unealta a fost oprită, sau a funcționat în gol, pe lângă timpul de declanșare).

Vibrații

Valoarea totală a vibrațiilor (suma vectorilor tri-axiali) determinată conform EN62841-1:

Măsurată în funcție de utilizarea preconizată

Emisie de vibrații ($a_{h,D}$): 2,5 m/s² sau mai puțin
Marjă de eroare (K): 1,5 m/s²

NOTĂ: Valoarea (valorile) totală(e) a (ale) nivelului de vibrații declarat a (au) fost măsurată(e) în conformitate cu o metodă de test standard și poate (pot) fi utilizată(e) pentru compararea unei unelte cu alta.

NOTĂ: Valoarea (valorile) totală(e) a (ale) nivelului de vibrații declarat poate (pot) fi, de asemenea, utilizată(e) într-o evaluare preliminară a expunerii.

⚠️ AVERTIZARE: Nivelul de vibrații în timpul utilizării efective a unelei electrice poate diferi de valoarea (valorile) nivelului declarat, în funcție de modul în care unealta este utilizată, în special ce fel de piesă este prelucrată.

⚠️ AVERTIZARE: Asigurați-vă că identificați măsurile de siguranță pentru a proteja operatorul, acestea fiind bazate pe o estimare a expunerii în condiții reale de utilizare (luând în considerare toate părțile ciclului de operare, precum timpul în care unealta a fost oprită, sau a funcționat în gol, pe lângă timpul de declanșare).

Declarații de conformitate

Numai pentru țările europene

Declarațiile de conformitate sunt incluse ca Anexa A la acest manual de instrucțiuni.

AVERTIZĂRI DE SIGURANȚĂ

Avertismente generale de siguranță pentru mașinile electrice

⚠️ AVERTIZARE Citiți toate avertizările privind siguranța, instrucțiunile, ilustrațiile și specificațiile furnizate cu această mașină electrică. Nerespectarea integrală a instrucțiunilor de mai jos poate provoca electrocutări, incendii și/sau accidente grave.

Păstrați toate avertismentele și instrucțiunile pentru consultări ulterioare.

Termenul „mașină electrică” din avertizări se referă la mașinile dumneavoastră electrice acționate de la rețea (prin cablu) sau cu acumulator (fără cablu).

Avertizări privind siguranța pentru foreza pentru pământ fără fir

1. **Țineți mașina de mână cu ambele mâini.** Pierderea controlului poate produce vătămări corporale.
2. **Fixați bine mașina înainte de utilizare.** Această mașină generează un recul puternic, iar fixarea necorespunzătoare a mașinii în timpul funcționării poate duce la pierderea controlului, care poate produce accidente.

3. **Țineți mașina electrică de suprafețele de prindere izolate atunci când efectuați o operațiune în timpul căreia accesoriul de săpat poate intra în contact cu cabluri acuse.** Accesoriul de săpat care intră în contact cu un cablu aflat sub tensiune poate pune sub tensiune componentele metalice neizolate ale mașinii electrice și poate supune operatorul la șoc electric.
4. **Nu utilizați mașina la o viteză mai mare decât viteza maximă specificată a capului de burghiu de pământ.** La viteze mai mari, capul de burghiu se poate îndoi dacă se rotește liber fără să intre în contact cu piesa de prelucrat, provocând accidente.
5. **Începeți întotdeauna să săpați în pământ la o viteză redusă și ținând vârful burghiului de pământ în contact cu pământul.** La viteze mai mari, capul de burghiu se poate îndoi dacă se rotește liber fără să intre în contact cu pământul, provocând accidente.
6. **Aplicați presiune numai pe direcția capului de burghiu și nu aplicați presiune excesivă.** Capetele se pot îndoi provocând ruperi sau pierderea controlului, ducând la vătămări.
7. **Diametrul exterior al burghiului cilindric trebuie să fie potrivit cu capacitatea de găurire specificată în acest manual de instrucțiuni.** Un burghiu cilindric cu dimensiunile incorecte nu poate fi controlat în mod adecvat.
8. **Păstrați-vă echilibrul. Asigurați-vă că nu se află nicio persoană dedesubt atunci când folosiți mașina la înălțime.**
9. **Țineți bine mașina.**
10. **Nu atingeți piesele în mișcare.**
11. **Nu lăsați mașina în funcțiune. Folosiți mașina numai când o țineți cu mâinile.**
12. **Nu atingeți burghiul forezei imediat după executarea lucrării; acesta poate fi extrem de fierbinte și poate provoca arsuri ale pielii.**
13. **Unele materiale conțin substanțe chimice care pot fi toxice. Aveți grijă să nu inhalați praful și evitați contactul cu pielea. Respectați instrucțiunile de siguranță ale furnizorului.**
14. **În cazul în care burghiul forezei nu poate fi slăbit nici dacă scoateți știftul forezei, utilizați un clește pentru a-l trage afară.** Într-un astfel de caz, tragerea manuală a burghiului forezei poate duce la vătămare din cauza marginii ascuțite a acestuia.
15. **În cazul unei funcționări defectuoase a mașinii, precum sunete anormale, opriți imediat utilizarea acesteia și adresați-vă centrului local de service Makita pentru reparații.**
16. **Înainte de utilizare, asigurați-vă că nu există obiecte îngropate în pământ, cum ar fi țevi electrice, conducte de apă sau gaz.** În caz contrar, mașina le poate atinge, provocând șocuri electrice, scurgeri electrice sau de gaz.

PĂSTRAȚI ACESTE INSTRUCȚIUNI.

⚠️ AVERTIZARE: NU permiteți comodității și familiarizării cu produsul (obținute prin utilizare repetată) să înlocuiască respectarea strictă a normelor de securitate pentru acest produs. **FOLOSIREA INCORECTĂ sau nerespectarea normelor de securitate din acest manual de instrucțiuni poate provoca vătămări corporale grave.**

Instrucțiuni importante privind siguranța pentru cartușul acumulatorului

1. Înainte de a folosi cartușul acumulatorului, citiți toate instrucțiunile și atenționările de pe (1) încarcătorul acumulatorului, (2) acumulatorul și (3) produsul care folosește acumulatorul.
2. Nu dezamblați și nu interveniți asupra cartușului acumulatorului. Acest lucru poate cauza incendii, căldură excesivă sau explozii.
3. Dacă timpul de funcționare s-a redus excesiv, întrerupeți imediat funcționarea. Aceasta poate prezenta risc de supraîncălzire, posibile arsuri și chiar explozie.
4. Dacă electrolitul pătrunde în ochi, clătiți bine ochii cu apă curată și consultați imediat un medic. Există risc de orbire.
5. Nu scurtcircuitați cartușul acumulatorului:
 - (1) Nu atingeți bornele cu niciun material conductor.
 - (2) Evitați depozitarea cartușului acumulatorului la un loc cu alte obiecte metalice cum ar fi cuie, monede etc.
 - (3) Nu expuneți cartușul acumulatorului la apă sau ploaie.

Un scurtcircuit al acumulatorului poate provoca un flux puternic de curent electric, supraîncălzire, posibile arsuri și chiar defectarea mașinii.

6. Nu depozitați și nu utilizați mașina și cartușul acumulatorului în locuri în care temperatura poate atinge sau depăși 50 °C (122 °F).
7. Nu incinerati cartușul acumulatorului chiar dacă acesta este grav deteriorat sau complet uzat. Cartușul acumulatorului poate exploda în foc.
8. Nu introduceți cuie în cartușul acumulatorului, nu îl tăiați, striviți, aruncați sau scăpați și nu îl loviți cu un obiect dur. Astfel de acțiuni pot provoca incendii, căldură excesivă sau explozii.
9. Nu utilizați un acumulator deteriorat.
10. Acumulatorii Li-Ion încorporați se supun cerințelor Legislației privind substanțele periculoase.

Pentru transporturi comerciale, efectuate de exemplu de către părți terțe, expeditori, trebuie respectate cerințele speciale de ambalare și etichetare.

Pentru pregătirea articolului care urmează să fie expediat, este necesară consultarea unui expert în materiale periculoase. Vă rugăm să respectați, de asemenea, reglementările naționale, care pot fi mai detaliate.

Izolați sau acoperiți contactele deschise și împachetați acumulatorul în așa fel încât să nu se poată mișca în ambalaj.
11. Atunci când eliminați la deșeuri cartușul acumulatorului, scoateți-l din mașină și eliminați-l într-un loc sigur. Respectați normele naționale privind eliminarea la deșeuri a acumulatorului.

12. Utilizați acumuloarele numai cu produsele specificate de Makita. Instalarea acumulatorilor în produse neconforme poate cauza incendii, căldură excesivă, explozii sau scurgeri de electrolit.
13. Dacă mașina nu este utilizată o perioadă lungă de timp, acumulatorul trebuie scos din acesta.
14. În timpul utilizării și după aceea, cartușul acumulatorului se poate încălzi, ceea ce poate cauza arsuri sau arsuri la temperaturi scăzute. Fiți atenți la manipularea cartușelor de acumulator atunci când sunt fierbinți.
15. Nu atingeți borna mașinii imediat după utilizare, întrucât se poate încălzi foarte tare și poate provoca arsuri.
16. Nu lăsați să pătrundă așchii, praf sau pământ în borne, în orificii și în canelurile cartușului acumulatorului. Acest lucru poate provoca încălzirea, aprinderea, explozia și defectarea mașinii sau a cartușului acumulatorului, cauzând arsuri sau vătămări corporale.
17. Nu utilizați cartușul acumulatorului în apropierea liniilor electrice de înaltă tensiune, cu excepția cazului în care mașina suportă utilizarea în apropierea liniilor electrice de înaltă tensiune. Acest lucru poate duce la funcționarea necorespunzătoare sau la defectarea mașinii sau a cartușului acumulatorului.
18. Țineți acumulatorul la distanță de copii.

PĂSTRAȚI ACESTE INSTRUCȚIUNI.

ATENȚIE: Folosiți numai acumulatori Makita originali. Acumulatorii Makita care nu sunt originali și acumulatorii care au suferit modificări se pot aprinde, provocând incendii, leziuni corporale și daune. De asemenea, anulează garanția oferită de Makita pentru unele și încarcătorul Makita.

Sfaturi pentru obținerea unei durate maxime de exploatare a acumulatorului

1. Încărcați cartușul acumulatorului înainte de a se descărca complet. Întrerupeți întotdeauna funcționarea mașinii și încărcați cartușul acumulatorului când observați o scădere a puterii mașinii.
2. Nu reîncărcați niciodată un acumulator complet încărcat. Supraîncărcarea va scurta durata de exploatare a acumulatorului.
3. Încărcați cartușul acumulatorului la temperatura camerei, între 10 °C - 40 °C (50 °F - 104 °F). Lăsați un acumulator fierbinte să se răcească înainte de a-l încărca.
4. Atunci când nu utilizați cartușul acumulatorului, scoateți-l din mașină sau din încarcător.
5. Încărcați cartușul acumulatorului în cazul în care nu a fost utilizat pe o perioadă mai lungă (mai mult de șase luni).

CONFIGURAREA INIȚIALĂ

ATENȚIE: Asigurați-vă întotdeauna că mașina este oprită și cartușul acumulatorului este scos înainte de a executa orice lucrări la mașină.

DESCRIERE COMPONENTE

► Fig.1

| | | | |
|---|-------------------|---|-----------------------------------|
| 1 | Mașina principală | 2 | Mâner frontal |
| 3 | Mâner lateral | 4 | Dispozitiv de preluare a reacției |
| 5 | Bolț | 6 | Cheie |

Specificațiile bolțului/cheii

| - | Diametrul nominal al bolțului | Dimensiunea cheii (H) |
|---|-------------------------------|-----------------------|
| A | M 12 | 10 mm |
| B | M 8 | 6 mm |
| C | M 6 | 5 mm |

Configurarea mașinii

ATENȚIE: Asigurați-vă întotdeauna că mânerul frontal, mânerul lateral și dispozitivul de preluare a reacției sunt bine fixate înainte de a pune mașina în funcțiune.

NOTĂ: Nu strângeți prea tare bolțurile. Acest lucru ar putea deteriora mașina.

Instalarea mânerului lateral

Scoateți din mașină bolțurile indicate în figură. Păstrați bolțurile pentru a nu se pierde.

► Fig.2: 1. Bolț

Poziționați mânerul lateral pe mașină. Strângeți toate cele patru bolțuri temporar și apoi strângeți-le bine cu ajutorul cheii imbus.

► Fig.3: 1. Mâner lateral 2. Bolț A 3. Bolț B

Montarea dispozitivului de preluare a reacției

Poziționați dispozitivul de preluare a reacției în așa fel încât bara acestuia să fie în partea stângă a operatorului.

Ajustați poziția dispozitivului de preluare a reacției în așa fel încât axa arborelui să fie în dreptul centrului corpului operatorului.

Strângeți bine bolțurile.

► Fig.4: 1. Bara dispozitivului de preluare a reacției 2. Bolț C

DESCRIEREA FUNCȚIILOR

ATENȚIE: Asigurați-vă întotdeauna că mașina este oprită și cartușul acumulatorului este scos înainte de a ajusta sau verifica funcționarea mașinii.

Indicarea capacității rămase a acumulatorului

Numai pentru cartușe de acumulator cu indicator

► Fig.5: 1. Lămpi indicatoare 2. Buton de verificare

Apăsați butonul de verificare de pe cartușul acumulatorului, astfel încât să se indice capacitățile rămase ale acumulatorului. Lămpile indicatorului vor lumina timp de câteva secunde.

| Lămpi indicatoare | | | Capacitate rămasă |
|-------------------|-------|------------------------|---|
| Iluminat | Oprit | Iluminare intermitentă | |
| ■ ■ ■ ■ | | | între 75% și 100% |
| ■ ■ ■ □ | | | între 50% și 75% |
| ■ ■ □ □ | | | între 25% și 50% |
| ■ □ □ □ | | | între 0% și 25% |
| ▤ □ □ □ | | | Încărcați acumulatorul. |
| ■ ■ □ □ | | | Este posibil ca acumulatorul să fie defect. |
| □ □ ■ ■ | | | |

NOTĂ: În funcție de condițiile de utilizare și temperatura ambientală, indicația poate fi ușor diferită de capacitatea reală.

NOTĂ: Prima lampă indicatoare (extremitatea stângă) va lumina intermitent când sistemul de protecție a acumulatorului funcționează.

Sistem de protecție mașină/acumulator

Mașina este prevăzută cu un sistem de protecție mașină/acumulator. Acest sistem întrerupe automat alimentarea motorului pentru a extinde durata de funcționare a mașinii și acumulatorului. Mașina se va opri automat în timpul funcționării dacă mașina sau acumulatorul se află într-una din situațiile următoare:

Protecție la suprasarcină

Când mașina/acumulatorul este utilizat într-un mod care duce la un consum de curent anormal de ridicat, mașina se va opri automat. În această situație, opriți mașina și întrerupeți aplicația care a dus la suprasolicitarea mașinii. Apoi, reporniți mașina.

Protecție la supraîncălzire

Când mașina/acumulatorul se supraîncălzeste, mașina se oprește automat. În această situație, lăsați mașina/acumulatorul să se răcească înainte de a reporni mașina.

Protecție la supradescărcare

Când capacitatea acumulatorului scade, unealta se oprește automat. În acest caz, scoateți acumulatorul din mașină și încărcați-l.

Măsurile de protecție împotriva altor cauze

Sistemul de protecție este, de asemenea, conceput pentru alte cauze care ar putea deteriora mașina și permite mașinii să se oprească automat. Parcurgeți toți pașii următori pentru a elimina cauzele, atunci când mașina a fost oprită temporar sau a fost scoasă din funcțiune.

1. Opriți mașina, apoi porniți-o din nou pentru a reporni.
2. Încărcați acumulatorul (acumulatorii) sau înlocuiți-l (înlocuiți-i) cu un acumulator (acumulatori) încărcat (încărcați).
3. Lăsați mașina și acumulatorul (acumulatorii) să se răcească.

Dacă nu se poate observa nicio îmbunătățire prin resetarea sistemului de protecție, contactați centrul local de service Makita.

Întrerupător de alimentare principal

⚠️ AVERTIZARE: Atunci când nu utilizați mașina, opriți mașina și setați pârghia de inversor în poziție neutră pentru a bloca butonul declanșator. Asigurați-vă întotdeauna că lampa de alimentare principală se stinge după ce opriți mașina.

Pentru a pune unealta în așteptare, apăsați butonul de alimentare principal până când se aprinde lampa principală care indică alimentarea. Pentru a o opri, apăsați din nou butonul de alimentare principal.

► Fig.6: 1. Buton de alimentare principal 2. Lampă de alimentare principală

NOTĂ: Această mașină este dotată cu funcția de oprire automată. Pentru a evita pornirea neintenționată, întrerupătorul de alimentare principal se va închide automat dacă butonul declanșator nu este tras pentru aproximativ 5 minute după pornirea întrerupătorului de alimentare principal.

Acționarea întrerupătorului

⚠️ ATENȚIE: Înainte de a introduce cartușul acumulatorului în mașină, verificați întotdeauna dacă butonul declanșator funcționează corect și revine în poziția „OFF” (oprit) când este eliberat.

► Fig.7: 1. Buton declanșator

Pentru a porni mașina, apăsați butonul declanșator cu întrerupătorul principal deschis. Viteza mașinii poate fi crescută prin creșterea forței de apăsare pe butonul declanșator. Eliberați butonul declanșator pentru a opri mașina.

NOTĂ: Mașina se va opri automat în cazul în care trageți continuu butonul declanșator timp de aproximativ 6 minute.

Aprinderea lămpii frontale

⚠️ ATENȚIE: Nu priviți direct în raza sau în sursa de lumină.

► Fig.8: 1. Lampă

Apăsați butonul declanșator pentru a aprinde lampa. Lampa continuă să lumineze atât timp cât butonul declanșator este apăsat. Lampa se stinge după aproximativ 10 secunde de la eliberarea butonului declanșator.

NOTĂ: În momentul în care mașina se supraîncălzeste, aceasta se oprește automat și lampa începe să lumineze intermitent. În acest caz, eliberați butonul declanșator. Lampa se stinge în 5 minut(e).

NOTĂ: Folosiți o lavetă uscată pentru a șterge murdăria de pe lentila lămpii. Aveți grijă să nu zgâriați lentila lămpii deoarece, în caz contrar, iluminarea va fi redusă.

Funcția inversorului

⚠️ ATENȚIE: Verificați întotdeauna sensul de rotație înainte de utilizare.

⚠️ ATENȚIE: Folosiți inversorul numai după ce mașina s-a oprit complet. Schimbarea sensului de rotație înainte de oprirea mașinii poate cauza avaria mașinii.

⚠️ ATENȚIE: Atunci când nu folosiți mașina, deplasați întotdeauna pârghia inversorului în poziția neutră.

Această mașină dispune de un inversor pentru schimbarea sensului de rotație. Apăsați pârghia inversorului în poziția A pentru rotire în sens orar sau în poziția B pentru rotire în sens antiorar.

Când pârghia de comutare de inversor se află în poziția neutră, pârghia de comutare nu poate fi trasă.

► Fig.9: 1. Pârghie de inversor

Funcție de schimbare automată a turației

Această mașină are un „mod de turație ridicată” și un „mod de cuplu ridicat”.

Mașina schimbă automat modul de operare în funcție de sarcina de lucru. Atunci când sarcina de lucru este scăzută, mașina va funcționa în „modul de turație ridicată”, pentru o operație mai rapidă. Atunci când sarcina de lucru este ridicată, mașina va funcționa în „modul de cuplu ridicat”, pentru o operație puternică.

► **Fig.10:** 1. Indicator mod

Indicatorul de mod luminează în culoarea verde atunci când mașina funcționează în „modul de cuplu ridicat”. Dacă mașina este utilizată cu sarcină excesivă, indicatorul de mod va lumina intermitent în verde. Indicatorul de mod încetează să lumineze intermitent și apoi se aprinde sau se stinge dacă reduceți sarcina de la mașină.

| Stare indicator mod | | | Mod de operare |
|---------------------|-------|------------------------|------------------------|
| Pornit | Oprit | Iluminare intermitentă | |
| | | | Mod turație ridicată |
| | | | Mod cuplu ridicat |
| | | | Alertă de suprasarcină |

Schimbarea vitezei

NOTĂ: Folosiți butonul de schimbare a vitezei numai după ce mașina s-a oprit complet.

Schimbarea vitezei mașinii înainte de oprirea acesteia poate avaria mașina.

NOTĂ: Așezați întotdeauna butonul de schimbare a vitezei în poziția corectă. Dacă folosiți mașina cu butonul de schimbare a vitezei poziționat intermediar între poziția 1 și poziția 2, mașina poate fi avariata.

Se pot preselecta două intervale de viteză cu ajutorul butonului de schimbare a vitezei.

Pentru a schimba viteza, apăsați butonul de blocare și rotiți butonul de schimbare a vitezei în așa fel încât indicatorul să indice poziția 1 pentru viteză scăzută sau poziția 2 pentru viteză ridicată.

► **Fig.11:** 1. Buton de blocare 2. Indicator 3. Buton de schimbare a vitezei

Limitator de cuplu

Limitatorul de cuplu va fi acționat atunci când se atinge o anumită valoare a cuplului la poziția de viteză scăzută (poziția 1). Motorul va fi decuplat de la arborele de ieșire. În acest caz, capătul uneltei nu se va mai roti. Pentru a reporni mașina, ridicați capătul uneltei de pe orificiu și apoi trageți din nou butonul declanșator.

Funcție de prevenire a repornirii accidentale

O funcție de blocare pentru butonul declanșator pentru a preveni funcționarea accidentală. Mașina nu va porni dacă apăsați butonul de alimentare principal în timp ce trageți butonul declanșator.

Pentru a reporni mașina, eliberați și apoi trageți din nou butonul declanșator.

Funcție electronică

Mașina este echipată cu următoarele funcții electronice pentru o utilizare facilă.

Frână electrică

Această mașină este echipată cu frână electrică. Dacă în repetate rânduri, mașina nu se oprește rapid după ce butonul declanșator este eliberat, solicitați repararea acesteia la un centru de service Makita.

Funcție de pornire lină

Această funcție permite pornirea corectă a uneltei prin limitarea cuplului de pornire.

Orificiu pentru centură

⚠️AVERTIZARE: Nu utilizați orificiul pentru centură în niciun alt scop în afară de suspendarea mașinii sau de protejarea mașinii împotriva furtului. În caz contrar, se pot produce vătămări.

► **Fig.12:** 1. Orificiu pentru centură

ASAMBLARE

Instalarea sau scoaterea cartușului acumulatorului

⚠️ATENȚIE: Opritiți întotdeauna mașina înainte de montarea sau demontarea cartușului de acumulator.

⚠️ATENȚIE: Țineți ferm mașina și cartușul acumulatorului la montarea sau demontarea cartușului. În cazul în care nu țineți ferm mașina și cartușul de acumulator, acestea vă pot aluneca din mâini, rezultând defectarea mașinii și cartușului de acumulator, precum și în accidentări personale.

► **Fig.13:** 1. Indicator roșu 2. Buton 3. Cartușul acumulatorului

Pentru a scoate cartușul acumulatorului, glisați-l din mașină în timp ce glisați butonul de pe partea frontală a cartușului.

Pentru a monta cartușul acumulatorului, aliniați limba de pe cartușul acumulatorului cu canelura din carcasă și introduceți-l în locaș. Introduceți-l complet, până când se înclichetează în locaș. Dacă vedeți indicatorul roșu, astfel cum se arată în imagine, acesta nu este blocat complet.

⚠️ATENȚIE: Instalați întotdeauna cartușul acumulatorului complet, până când indicatorul roșu nu mai este vizibil. În caz contrar, acesta poate cădea accidental din mașină provocând rănirea dumneavoastră sau a persoanelor din jur.

⚠️ATENȚIE: Nu forțați cartușul acumulatorului la montare. Dacă acesta nu glisează ușor, înseamnă că a fost introdus incorect.

Montarea burghiului forezei

⚠️ATENȚIE: Asigurați-vă întotdeauna că mașina este oprită și cartușul acumulatorului este scos înainte de a executa orice lucrări la mașină.

⚠️ATENȚIE: Când atașați burghiul forezei la arbore, asigurați-vă că știftul forezei este blocat și inspectați știftul forezei pentru a detecta eventualele deteriorări.

⚠️ATENȚIE: Când transportați mașina, scoateți burghiul forezei din mașină.

Montarea burghiului forezei pe arbore

NOTĂ: Forma și mecanismul burghiului forezei și ale știftului burghiului pot fi diferite în funcție de burghiul forezei pe care îl utilizați.

Aliniați orificiul de pe arbore cu orificiul de pe burghiul forezei.

Poziționați burghiul forezei pe arbore.

► **Fig.14:** 1. Burghiul forezei 2. Arbore

Fixați burghiul forezei cu știftul burghiului și cu dispozitivul de blocare de siguranță.

► **Fig.15:** 1. Știftul burghiului 2. Dispozitiv de blocare de siguranță

OPERAREA

⚠️ATENȚIE: Datorită faptului că este puternică, această mașină generează un cuplu ridicat. Este important ca mașina să fie ținută ferm și fixată în mod corespunzător.

⚠️ATENȚIE: Înaintea utilizării, verificați să nu existe materii străine (nisip, reziduuri etc.) blocate în deschizături sau în piesele mobile.

Poziția de lucru

Menținerea unei poziții de utilizare adecvate este una dintre cele mai importante și eficiente proceduri pentru controlarea reculului.

Păstrați poziționarea corectă prin exersarea următoarelor aspecte.

- Poziționați mașina în așa fel încât bara dispozitivului de preluare a reacției să fie întotdeauna în contact cu partea stângă a taliei dumneavoastră.
- Apucați mânerul și mânerul lateral cu ambele mâini. Poziționați-vă degetele în jurul zonei de prindere, păstrând zonele de prindere între degetele mari și degetele arătătoare.

- Mențineți spatele într-o poziție cât mai verticală posibil îndoind picioarele în funcție de necesitate în timpul procesului de forare.
- Acordați atenție forței de reacție generate de cuplul mașinii. Rămâneți întotdeauna în poziția de operare în care puteți controla forța de reacție generată de cuplu.

► **Fig.16:** 1. Mâner 2. Mâner lateral 3. Bara dispozitivului de preluare a reacției

⚠️AVERTIZARE: Evitați o poziționare necorespunzătoare. Nu stați prea departe de mașină. În eventualitatea unui recul, este posibil să nu puteți avea o reacție și un control adecvate.

► **Fig.17**

Utilizarea pentru săpare

⚠️ATENȚIE: Țineți ferm unealta atunci când o utilizați.

⚠️ATENȚIE: Țineți-vă fața și mâinile departe de accesoriile de forare, cum ar fi burghiul forezei, orice piese care se rotesc și deșeurile rezultate în urma forării, în timpul funcționării.

⚠️ATENȚIE: Când lăsați jos mașina, de exemplu în timpul unei pauze, nu lăsați mașina introdusă în pământ sau sprijinită de un perete. Depozitați mașina în așa fel încât să fie stabilă.

NOTĂ: Când viteza de rotație scade extrem de mult, reduceți sarcina sau opriți mașina, pentru a preveni defectarea acesteia.

NOTĂ: Apăsarea excesivă pe mașină nu va accelera săparea. De fapt, această presiune excesivă nu va face decât să deterioreze vârful burghiului forezei, reducând performanțele mașinii și durata de viață a acesteia.

NOTĂ: Evitați forarea în materiale în cazul cărora suspectați că ar conține cuie ascunse sau alte lucruri care pot cauza înțepenirea burghiului forezei sau ruperea acestuia.

NOTĂ: Dacă mașina este folosită continuu până la epuizarea cartușului acumulatorului, lăsați mașina în repaus timp de 15 minute înainte de a continua cu un acumulator nou.

- Selectați viteza corectă (mare/mică) în funcție de diametrul găurii și de starea solului.
- Când forați o gaură adâncă sau când forați în sol argilos, nu încercați să săpați încontinuu. Forțați gaura ridicând și coborând mașina în așa fel încât solul din groapă să poată fi îndepărtat.
- Dacă viteza de rotație a mașinii se micșorează din cauza funcționării la sarcină mare, ridicați puțin mașina și mișcați mașina în sus și în jos pentru a săpa câte puțin.

La rotirea burghiului forezei în sens invers

Un burghiu al forezei blocat poate fi scos prin simpla setare a inversorului astfel încât să schimbe sensul de rotație în vederea retragerii.

La schimbarea sensului mișcării, fixați unealta cu corpul dumneavoastră pentru a preveni o reacție în sens orar.

► Fig.18

⚠ATENȚIE: Țineți bine mașina. Mașina se poate retrage brusc și poate cauza vătămări.

ÎNȚREȚINERE

⚠ATENȚIE: Asigurați-vă întotdeauna că mașina este oprită și cartușul acumulatorului scos înainte de a executa lucrările de inspecție și întreținere.

NOTĂ: Nu utilizați niciodată gazolină, benzină, diluant, alcool sau alte substanțe asemănătoare. În caz contrar, pot rezulta decolorări, deformări sau fisuri.

Pentru a menține SIGURANȚA și FIABILITATEA produsului, reparațiile și orice alte lucrări de întreținere sau reglare trebuie executate de centre de service Makita autorizate sau proprii, folosind întotdeauna piese de schimb Makita.

ACCESORII OPȚIONALE

⚠ATENȚIE: Folosiți accesoriile sau piesele auxiliare recomandate pentru mașina dumneavoastră Makita în acest manual. Utilizarea oricărui alte accesorii sau piese auxiliare poate prezenta risc de vătămare corporală. Utilizați accesoriile și piesele auxiliare numai în scopul destinat.

Dacă aveți nevoie de asistență sau de mai multe detalii referitoare la aceste accesorii, adresați-vă centrului local de service Makita.

- Burghie ale forezei
- Set de mâner
- Tijă prelungitoare pentru burghiul forezei
- Acumulator și încărcător original Makita

NOTĂ: Unele articole din listă pot fi incluse ca accesorii standard în ambalajul de scule. Acestea pot diferi în funcție de țară.

TECHNISCHE DATEN

| | | |
|-------------------------------|---------|--|
| Modell: | | DDG461 |
| Leerlaufdrehzahl | Hoch | 0 - 1.400 min ⁻¹ |
| | Niedrig | 0 - 350 min ⁻¹ |
| Bohrkapazitäten (Durchmesser) | Hoch | Für sandige Böden: ø60 mm Für Lehmböden: ø60 mm |
| | Niedrig | Für sandige Böden: ø200 mm Für Lehmböden: ø150 mm |
| Gesamtlänge | | 840 mm ⁻¹ |
| Nennspannung | | 36 V Gleichstrom |
| Nettogewicht | | 7,0 - 7,6 kg |

⁻¹ Mit Seitengriff

- Wir behalten uns vor, Änderungen der technischen Daten im Zuge der Entwicklung und des technischen Fortschritts ohne vorherige Ankündigung vorzunehmen.
- Die technischen Daten können von Land zu Land unterschiedlich sein.
- Das Gewicht kann abhängig von dem Aufsatz (den Aufsätzen), einschließlich des Akkus, unterschiedlich sein. Die leichteste und die schwerste Kombination, gemäß dem EPTA-Verfahren 01/2014, sind in der Tabelle angegeben.

Zutreffende Akkus und Ladegeräte

| | |
|-----------|---|
| Akku | BL1815N / BL1820B / BL1830B / BL1840B / BL1850B / BL1860B |
| Ladegerät | DC18RC / DC18RD / DC18RE / DC18SD / DC18SE / DC18SF / DC18SH / DC18WC |

- Einige der oben aufgelisteten Akkus und Ladegeräte sind je nach Ihrem Wohngebiet eventuell nicht erhältlich.

⚠️ WARNUNG: Verwenden Sie nur die oben aufgeführten Akkus und Ladegeräte. Bei Verwendung irgendwelcher anderer Akkus und Ladegeräte besteht Verletzungs- und/oder Brandgefahr.

Empfohlene kabelgebundene Stromquelle

| | |
|--------------------------|-----------------|
| Rückentragbare Akku-Bank | PDC01 / PDC1200 |
|--------------------------|-----------------|

- Die oben aufgelisteten kabelgebundenen Stromquellen sind je nach Ihrem Wohngebiet eventuell nicht erhältlich.
- Lesen Sie vor Gebrauch der kabelgebundenen Stromquelle die daran angebrachten Anweisungen und Warnmarkierungen durch.

Vorgesehene Verwendung

Das Werkzeug ist für Bohren in Erdreich vorgesehen.

Geräusch

Typischer A-bewerteter Geräuschpegel ermittelt gemäß EN62841-2-1:

Gemessen am Verwendungszweck
Schalldruckpegel (L_{pA}): 84 dB (A)
Schallleistungspegel (L_{WA}): 95 dB (A)
Messunsicherheit (K): 3 dB (A)

HINWEIS: Der (Die) angegebene(n) Schallemissionswert(e) wurde(n) im Einklang mit der Standardprüfmethode gemessen und kann (können) für den Vergleich zwischen Werkzeugen herangezogen werden.

HINWEIS: Der (Die) angegebene(n) Schallemissionswert(e) kann (können) auch für eine Vorbewertung des Gefährdungsgrads verwendet werden.

⚠️ WARNUNG: Einen Gehörschutz tragen.

⚠️ WARNUNG: Die Schallemission während der tatsächlichen Benutzung des Elektrowerkzeugs kann je nach der Benutzungsweise des Werkzeugs, und speziell je nach der Art des bearbeiteten Werkstücks, von dem (den) angegebenen Wert(en) abweichen.

⚠️ WARNUNG: Identifizieren Sie Sicherheitsmaßnahmen zum Schutz des Benutzers anhand einer Schätzung des Gefährdungsgrads unter den tatsächlichen Benutzungsbedingungen (unter Berücksichtigung aller Phasen des Arbeitszyklus, wie z. B. Ausschalt- und Leerlaufzeiten des Werkzeugs zusätzlich zur Betriebszeit).

Schwingungen

Schwingungsgesamtwert (Drei-Achsen-Vektorsumme) ermittelt gemäß EN62841-1:

Gemessen am Verwendungszweck

Schwingungsemission ($a_{h,D}$): 2,5 m/s² oder weniger
Messunsicherheit (K): 1,5 m/s²

HINWEIS: Der (Die) angegebene(n) Vibrationsgesamtwert(e) wurde(n) im Einklang mit der Standardprüfmethode gemessen und kann (können) für den Vergleich zwischen Werkzeugen herangezogen werden.

HINWEIS: Der (Die) angegebene(n) Vibrationsgesamtwert(e) kann (können) auch für eine Vorbewertung des Gefährdungsgrads verwendet werden.

⚠️ WARNUNG: Die Vibrationsemission während der tatsächlichen Benutzung des Elektrowerkzeugs kann je nach der Benutzungsweise des Werkzeugs, und speziell je nach der Art des bearbeiteten Werkstücks, von dem (den) angegebenen Emissionswert(en) abweichen.

⚠️ WARNUNG: Identifizieren Sie Sicherheitsmaßnahmen zum Schutz des Benutzers anhand einer Schätzung des Gefährdungsgrads unter den tatsächlichen Benutzungsbedingungen (unter Berücksichtigung aller Phasen des Arbeitszyklus, wie z. B. Ausschalt- und Leerlaufzeiten des Werkzeugs zusätzlich zur Betriebszeit).

Konformitätserklärungen

Nur für europäische Länder

Die Konformitätserklärungen sind in Anhang A dieser Betriebsanleitung enthalten.

SICHERHEITSWARNUNGEN

Allgemeine Sicherheitswarnungen für Elektrowerkzeuge

⚠️ WARNUNG Lesen Sie alle Sicherheitshinweise, Anweisungen, Abbildungen und Spezifikationen, die diesem Elektrowerkzeug beiliegen. Eine Missachtung der unten aufgeführten Anweisungen kann zu einem elektrischen Schlag, Brand und/oder schweren Verletzungen führen.

Bewahren Sie alle Warnungen und Anweisungen für spätere Bezugnahme auf.

Der Ausdruck „Elektrowerkzeug“ in den Warnhinweisen bezieht sich auf Ihr mit Netzstrom (mit Kabel) oder Akku (ohne Kabel) betriebenes Elektrowerkzeug.

Sicherheitswarnungen für Akku-Erdbohrer

1. **Halten Sie das Werkzeug mit beiden Händen an den vorgesehenen Handgriffen fest.** Verlust der Kontrolle kann Personenschäden verursachen.
2. **Stützen Sie das Werkzeug vor Gebrauch entsprechend ab.** Dieses Werkzeug erzeugt ein hohes Ausgangsdrehmoment, und ohne entsprechendes Abstützen des Werkzeugs während des Betriebs kann Verlust der Kontrolle mit daraus resultierenden Personenschäden auftreten.
3. **Halten Sie das Elektrowerkzeug an den isolierten Griffflächen, wenn Sie Arbeiten ausführen, bei denen die Gefahr besteht, dass das Aushebezubehör verborgene Kabel kontaktiert.** Bei Kontakt des Aushebezubehörs mit einem Strom führenden Kabel können die freiliegenden Metallteile des Elektrowerkzeugs ebenfalls Strom führend werden, so dass der Benutzer einen elektrischen Schlag erleiden kann.
4. **Arbeiten Sie niemals mit einer höheren Drehzahl als der Maximaldrehzahl des Erdbohrereinsatzes.** Bei höheren Drehzahlen besteht die Gefahr, dass sich der Einsatz verbiegt, wenn zugelassen wird, dass er ohne Kontakt mit dem Werkstück frei rotiert, was zu Personenschäden führen kann.
5. **Starten Sie den Erdbohrvorgang immer mit einer niedrigen Drehzahl und bei Kontakt der Erdbohrerspitze mit dem Erdreich.** Bei höheren Drehzahlen besteht die Gefahr, dass sich der Einsatz verbiegt, wenn zugelassen wird, dass er ohne Kontakt mit dem Erdreich frei rotiert, was zu Personenschäden führen kann.
6. **Üben Sie Druck nur in direkter Linie mit dem Einsatz aus, und wenden Sie keinen übermäßigen Druck an.** Einsätze können sich verbiegen, was Bruch oder Verlust der Kontrolle verursachen und zu Personenschäden führen kann.
7. **Der Außendurchmesser des Schlangenbohrers muss innerhalb der in dieser Gebrauchsanleitung angegebenen Bohrkapazität liegen.** Ein Schlangenbohrer der falschen Größe kann nicht angemessen kontrolliert werden.
8. **Achten Sie stets auf sicheren Stand.** Vergewissern Sie sich bei Einsatz des Werkzeugs an hochgelegenen Arbeitsplätzen, dass sich keine Personen darunter aufhalten.
9. **Halten Sie das Werkzeug mit festem Griff.**
10. **Halten Sie Ihre Hände von rotierenden Teilen fern.**
11. **Lassen Sie das Werkzeug nicht unbeaufsichtigt laufen. Benutzen Sie das Werkzeug nur mit Handhaltung.**
12. **Vermeiden Sie eine Berührung des Schlangenbohrers unmittelbar nach der Bearbeitung, weil er dann noch sehr heiß ist und Hautverbrennungen verursachen kann.**
13. **Manche Materialien können giftige Chemikalien enthalten. Treffen Sie Vorsichtsmaßnahmen, um das Einatmen von Arbeitsstaub und Hautkontakt zu verhindern. Befolgen Sie die Sicherheitsdaten des Materiallieferanten.**

14. Falls der Schlangenbohrer selbst durch Entfernen des Bohrerstifts nicht gelöst werden kann, ziehen Sie ihn mit einer Zange heraus. In einem solchen Fall kann Herausziehen des Schlangenbohrers von Hand zu einer Verletzung durch seine scharfe Kante führen.
15. Falls etwas mit dem Werkzeug nicht stimmt, wie z. B. anormale Geräusche, brechen Sie den Betrieb sofort ab, und wenden Sie sich bezüglich einer Reparatur an Ihre örtliche Makita-Kundendienststelle.
16. Vergewissern Sie sich vor dem Betrieb, dass sich keine verborgenen Objekte, wie etwa eine elektrische Leitung, ein Wasserrohr oder ein Gasrohr, im Boden befinden. Anderenfalls kann das Werkzeug damit in Berührung kommen und einen elektrischen Schlag, einen Leckstrom oder ein Gasleck verursachen.
7. Versuchen Sie niemals, den Akku zu verbrennen, selbst wenn er stark beschädigt oder vollkommen verbraucht ist. Der Akku kann im Feuer explodieren.
8. Unterlassen Sie Nageln, Schneiden, Zerquetschen, Werfen, Fallenlassen des Akkus oder Schlagen des Akkus mit einem harten Gegenstand. Eine solche Handlung kann zu einem Brand, übermäßiger Hitzeentwicklung oder einer Explosion führen.
9. Benutzen Sie keine beschädigten Akkus.
10. Die enthaltenen Lithium-Ionen-Akkus unterliegen den Anforderungen der Gefahrengut-Gesetzgebung.
Für kommerzielle Transporte, z. B. durch Dritte oder Spediteure, müssen besondere Anforderungen zu Verpackung und Etikettierung beachtet werden.
Zur Vorbereitung des zu transportierenden Artikels ist eine Beratung durch einen Experten für Gefahrengut erforderlich. Bitte beachten Sie möglicherweise ausführlichere nationale Vorschriften. Überprüfen oder verdecken Sie offene Kontakte, und verpacken Sie den Akku so, dass er sich in der Verpackung nicht umher bewegen kann.

DIESE ANWEISUNGEN AUFBEWAHREN.

⚠️ WARNUNG: Lassen Sie sich NICHT durch Bequemlichkeit oder Vertrautheit mit dem Produkt (durch wiederholten Gebrauch erworben) von der strikten Einhaltung der Sicherheitsregeln für das vorliegende Produkt abhalten. MISSBRAUCH oder Missachtung der Sicherheitsvorschriften in dieser Anleitung können schwere Verletzungen verursachen.

Wichtige Sicherheitsanweisungen für Akku

1. Lesen Sie vor der Benutzung des Akkus alle Anweisungen und Warnhinweise, die an (1) Ladegerät, (2) Akku und (3) Akkuwerkzeug angebracht sind.
2. Unterlassen Sie Zerlegen oder Manipulieren des Akkus. Es kann sonst zu einem Brand, übermäßiger Hitzeentwicklung oder einer Explosion kommen.
3. Falls die Betriebszeit beträchtlich kürzer geworden ist, stellen Sie den Betrieb sofort ein. Anderenfalls besteht die Gefahr von Überhitzung, möglichen Verbrennungen und sogar einer Explosion.
4. Falls Elektrolyt in Ihre Augen gelangt, waschen Sie sie mit sauberem Wasser aus, und begeben Sie sich unverzüglich in ärztliche Behandlung. Anderenfalls können Sie Ihre Sehkraft verlieren.
5. Der Akku darf nicht kurzgeschlossen werden:
 - (1) Die Kontakte dürfen nicht mit leitfähigem Material berührt werden.
 - (2) Lagern Sie den Akku nicht in einem Behälter zusammen mit anderen Metallgegenständen, wie z. B. Nägel, Münzen usw.
 - (3) Setzen Sie den Akku weder Wasser noch Regen aus.
Ein Kurzschluss des Akkus verursacht starken Stromfluss, der Überhitzung, mögliche Verbrennungen und einen Defekt zur Folge haben kann.
6. Lagern und benutzen Sie das Werkzeug und den Akku nicht an Orten, an denen die Temperatur 50 °C erreichen oder überschreiten kann.
11. Entfernen Sie den Akku zum Entsorgen vom Werkzeug, und entsorgen Sie ihn an einem sicheren Ort. Befolgen Sie die örtlichen Vorschriften bezüglich der Entsorgung von Akkus.
12. Verwenden Sie die Akkus nur mit den von Makita angegebenen Produkten. Das Einsetzen der Akkus in nicht konforme Produkte kann zu einem Brand, übermäßiger Hitzebildung, einer Explosion oder Auslaufen von Elektrolyt führen.
13. Soll das Werkzeug längere Zeit nicht benutzt werden, muss der Akku vom Werkzeug entfernt werden.
14. Bei und nach dem Gebrauch kann der Akku heiß werden, was Verbrennungen oder Niedertemperaturverbrennungen verursachen kann. Beachten Sie die Handhabung von heißen Akkus.
15. Berühren Sie nicht den Anschlusskontakt des Werkzeugs unmittelbar nach dem Gebrauch, da er heiß genug werden kann, um Verbrennungen zu verursachen.
16. Achten Sie darauf, dass sich keine Späne, Staub oder Schmutz in den Anschlusskontakten, Löchern und Nuten des Akkus absetzen. Es könnte sonst zu Erhitzung, Brandauslösung, Bersten und Funktionsstörungen des Werkzeugs oder des Akkus kommen, was zu Verbrennungen oder Personenschäden führen kann.
17. Wenn das Werkzeug den Einsatz in der Nähe einer Hochspannungs-Stromleitung nicht unterstützt, benutzen Sie den Akku nicht in der Nähe einer Hochspannungs-Stromleitung. Dies kann zu einer Funktionsstörung oder Betriebsstörung des Werkzeugs oder des Akkus führen.
18. Halten Sie die Batterie von Kindern fern.

DIESE ANWEISUNGEN AUFBEWAHREN.

⚠ VORSICHT: Verwenden Sie nur Original-Makita-Akkus. Die Verwendung von Nicht-Original-Makita-Akkus oder von Akkus, die abgeändert worden sind, kann zum Bersten des Akkus und daraus resultierenden Bränden, Personenschäden und Beschädigung führen. Außerdem wird dadurch die Makita-Garantie für das Makita-Werkzeug und -Ladegerät ungültig.

Hinweise zur Aufrechterhaltung der maximalen Akku-Nutzungsdauer

1. Laden Sie den Akku, bevor er vollkommen erschöpft ist. Schalten Sie das Werkzeug stets aus, und laden Sie den Akku, wenn Sie ein Nachlassen der Werkzeulleistung feststellen.
2. Unterlassen Sie erneutes Laden eines voll aufgeladenen Akkus. Überladen führt zu einer Verkürzung der Nutzungsdauer des Akkus.
3. Laden Sie den Akku bei Raumtemperatur zwischen 10 – 40 °C. Lassen Sie einen heißen Akku abkühlen, bevor Sie ihn laden.
4. Wenn Sie den Akku nicht benutzen, nehmen Sie ihn vom Werkzeug oder Ladegerät ab.
5. Der Akku muss geladen werden, wenn er lange Zeit (länger als sechs Monate) nicht benutzt wird.

ANFANGSEINSTELLUNG

⚠ VORSICHT: Vergewissern Sie sich vor der Ausführung von Arbeiten am Werkzeug stets, dass das Werkzeug ausgeschaltet und der Akku abgenommen ist.

BEZEICHNUNG DER TEILE

▶ Abb.1

| | | | |
|---|---------------|---|--------------------|
| 1 | Hauptwerkzeug | 2 | Frontgriff |
| 3 | Seitengriff | 4 | Reaktionsempfänger |
| 5 | Schraube | 6 | Schraubenschlüssel |

Spezifikationen von Schraube/Schraubenschlüssel

| - | Nenndurchmesser der Schraube | Schraubenschlüsselgröße (H) |
|---|------------------------------|-----------------------------|
| A | M 12 | 10 mm |
| B | M 8 | 6 mm |
| C | M 6 | 5 mm |

Einrichten des Werkzeugs

⚠ VORSICHT: Vergewissern Sie sich vor dem Betrieb stets, dass der Frontgriff, der Seitengriff und der Reaktionsempfänger einwandfrei montiert sind.

ANMERKUNG: Ziehen Sie die Schrauben nicht zu fest an. Dadurch kann das Werkzeug beschädigt werden.

Montieren des Seitengriffs

Entfernen Sie die in der Abbildung gezeigten Schrauben vom Werkzeug.

Bewahren Sie die Schrauben auf, damit sie nicht verloren gehen.

▶ **Abb.2:** 1. Schraube

Setzen Sie den Seitengriff auf das Werkzeug.

Ziehen Sie alle vier Schrauben zunächst provisorisch an, bevor Sie sie dann mit dem Schraubenschlüssel sicher festziehen.

▶ **Abb.3:** 1. Seitengriff 2. Schraube A 3. Schraube B

Montieren des Reaktionsempfängers

Platzieren Sie den Reaktionsempfänger so, dass die Stange des Reaktionsempfängers auf der linken Seite des Bedieners liegt.

Stellen Sie die Position des Reaktionsempfängers so ein, dass die Achse der Spindel auf die Mitte des Körpers des Bedieners ausgerichtet ist.

Ziehen Sie die Schrauben fest an.

▶ **Abb.4:** 1. Stange des Reaktionsempfängers
2. Schraube C

FUNKTIONSBESCHREIBUNG

⚠ VORSICHT: Vergewissern Sie sich vor der Durchführung von Einstellungen oder Funktionsprüfungen des Werkzeugs stets, dass das Werkzeug ausgeschaltet und der Akku abgenommen ist.

Anzeigen der Akku-Restkapazität

Nur für Akkus mit Anzeige

▶ **Abb.5:** 1. Anzeigelampen 2. Prüftaste

Drücken Sie die Prüftaste am Akku, um die Akku-Restkapazität anzuzeigen. Die Anzeigelampen leuchten wenige Sekunden lang auf.

| Anzeigelampen | | | Restkapazität |
|---------------|-----|----------|---|
| Erleuchtet | Aus | Blinkend | |
| ■ | □ | ▬ | 75% bis 100% |
| ■ | ■ | □ | 50% bis 75% |
| ■ | ■ | □ | 25% bis 50% |
| ■ | □ | □ | 0% bis 25% |
| ▬ | □ | □ | Den Akku aufladen. |
| ■ | ■ | □ | Möglicherweise liegt eine Funktionsstörung im Akku vor. |
| □ | □ | ■ | |

HINWEIS: Abhängig von den Benutzungsbedingungen und der Umgebungstemperatur kann die Anzeige geringfügig von der tatsächlichen Kapazität abweichen.

HINWEIS: Die erste (äußerste linke) Anzeigelampe blinkt, wenn das Akku-Schutzsystem aktiv ist.

Werkzeug/Akku-Schutzsystem

Das Werkzeug ist mit einem Werkzeug/Akku-Schutzsystem ausgestattet. Dieses System schaltet die Stromversorgung des Motors automatisch ab, um die Lebensdauer von Werkzeug und Akku zu verlängern. Das Werkzeug bleibt während des Betriebs automatisch stehen, wenn das Werkzeug oder der Akku einer der folgenden Bedingungen unterliegt:

Überlastschutz

Wird das Werkzeug/der Akku auf eine Weise benutzt, die eine ungewöhnlich hohe Stromaufnahme bewirkt, bleibt das Werkzeug automatisch stehen. Schalten Sie in dieser Situation das Werkzeug aus, und brechen Sie die Arbeit ab, die eine Überlastung des Werkzeugs verursacht hat. Schalten Sie dann das Werkzeug wieder ein, um es neu zu starten.

Überhitzungsschutz

Wenn das Werkzeug/der Akku überhitzt wird, bleibt das Werkzeug automatisch stehen. Lassen Sie das Werkzeug/den Akku in dieser Situation abkühlen, bevor Sie das Werkzeug wieder einschalten.

Überentladungsschutz

Wenn die Akkukapazität unzureichend wird, bleibt das Werkzeug automatisch stehen. Nehmen Sie in diesem Fall den Akku vom Werkzeug ab, und laden Sie ihn auf.

Schutz gegen andere Ursachen

Das Schutzsystem ist auch für andere Ursachen ausgelegt, die eine Beschädigung des Werkzeugs bewirken könnten, und ermöglicht automatisches Anhalten des Werkzeugs. Führen Sie alle folgenden Schritte aus, um die Ursachen zu beseitigen, wenn das Werkzeug zu einem vorübergehenden Stillstand oder Betriebsstopp gekommen ist.

1. Schalten Sie das Werkzeug aus und wieder ein, um es neu zu starten.
2. Laden Sie den/die Akku(s) auf, oder tauschen Sie ihn/sie gegen einen aufgeladenen Akku/aufgeladene Akkus aus.
3. Lassen Sie das Werkzeug und den/die Akku(s) abkühlen.

Falls die Wiederherstellung des Schutzsystems keine Besserung bringt, wenden Sie sich an Ihre lokale Makita-Kundendienststelle.

Hauptbetriebsschalter

⚠️ WARNUNG: Wenn Sie dieses Werkzeug nicht verwenden, schalten Sie es aus, und stellen Sie den Drehrichtungsumschalthebel in die Neutralstellung, um den Auslöser zu verriegeln. Achten Sie immer darauf, dass die Hauptbetriebslampe erlischt, nachdem Sie das Werkzeug ausgeschaltet haben.

Um das Werkzeug in Bereitschaft zu versetzen, drücken Sie die Hauptbetriebstaste, bis die Hauptbetriebslampe aufleuchtet. Zum Ausschalten des Werkzeugs drücken Sie die Hauptbetriebstaste erneut.

- **Abb.6:** 1. Hauptbetriebstaste
2. Hauptbetriebslampe

HINWEIS: Dieses Werkzeug verwendet die Abschaltautomatik. Um unbeabsichtigtes Anlaufen zu vermeiden, wird der Hauptbetriebsschalter automatisch abgeschaltet, wenn der Auslöseschalter etwa 5 Minuten lang nach dem Einschalten des Hauptbetriebsschalters nicht betätigt wird.

Schalterfunktion

⚠️ VORSICHT: Vergewissern Sie sich vor dem Einsetzen des Akkus in das Werkzeug stets, dass der Ein-Aus-Schalter ordnungsgemäß funktioniert und beim Loslassen in die AUS-Stellung zurückkehrt.

- **Abb.7:** 1. Ein-Aus-Schalter

Zum Starten des Werkzeugs betätigen Sie den Auslöseschalter bei eingeschaltetem Hauptbetriebsschalter. Die Drehzahl erhöht sich durch verstärkte Druckausübung auf den Auslöseschalter. Zum Anhalten lassen Sie den Auslöseschalter los.

HINWEIS: Das Werkzeug bleibt automatisch stehen, wenn der Ein-Aus-Schalter etwa 6 Minuten lang betätigt wird.

Einschalten der Frontlampe

⚠️ VORSICHT: Blicken Sie nicht direkt in die Lampe oder die Lichtquelle.

- **Abb.8:** 1. Lampe

Betätigen Sie den Auslöseschalter, um die Lampe einzuschalten. Die Lampe bleibt erleuchtet, solange der Auslöseschalter gedrückt gehalten wird. Die Lampe erlischt ungefähr 10 Sekunden nach dem Loslassen des Ein-Aus-Schalters.

HINWEIS: Wenn das Werkzeug überhitzt wird, bleibt es automatisch stehen, und die Lampe beginnt zu blinken. Lassen Sie in diesem Fall den Auslöseschalter los. Die Lampe erlischt nach 5 Minute(n).

HINWEIS: Wischen Sie Schmutz auf der Lampenlinse mit einem trockenen Tuch ab. Achten Sie sorgfältig darauf, dass Sie die Lampenlinse nicht verkratzen, weil sich sonst die Lichtstärke verringert.

Funktion des Drehrichtungsumschalters

⚠ VORSICHT: Prüfen Sie stets die Drehrichtung, bevor Sie mit der Arbeit beginnen.

⚠ VORSICHT: Betätigen Sie den Drehrichtungsumschalter erst, nachdem das Werkzeug völlig zum Stillstand gekommen ist. Durch Umschalten der Drehrichtung bei noch laufendem Werkzeug kann das Werkzeug beschädigt werden.




⚠ VORSICHT: Stellen Sie den Drehrichtungsumschalthebel stets auf die Neutralstellung, wenn Sie das Werkzeug nicht benutzen.

Dieses Werkzeug besitzt einen Drehrichtungsumschalter. Drücken Sie auf die Seite A des Drehrichtungsumschalthebels für Rechtsdrehung, und auf die Seite B für Linksdrehung. In der Neutralstellung des Drehrichtungsumschalthebels kann der Schalthebel nicht betätigt werden.
► Abb.9: 1. Drehrichtungsumschalthebel

Automatische Drehzahlwechselfunktion

Dieses Werkzeug verfügt über einen „Hochdrehzahl-Modus“ und einen „Hochdrehmoment-Modus“. Das Werkzeug wechselt die Betriebsart automatisch abhängig von der Arbeitslast. Bei geringer Arbeitslast läuft das Werkzeug im „Hochdrehzahl-Modus“ für schnelleren Betrieb. Bei hoher Arbeitslast läuft das Werkzeug im „Hochdrehmoment-Modus“ für leistungsstarken Betrieb.
► Abb.10: 1. Betriebsart-Anzeige

Die Betriebsart-Anzeige leuchtet in Grün auf, wenn das Werkzeug im „Hochdrehmoment-Modus“ läuft. Wird das Werkzeug mit übermäßiger Last betrieben, blinkt die Betriebsart-Anzeige in Grün. Die Betriebsart-Anzeige hört auf zu blinken, und dann leuchtet sie auf oder erlischt, wenn Sie die auf das Werkzeug ausgeübte Last verringern.

| Betriebsart-Anzeigestatus | | | Betriebsart |
|--------------------------------------|---|---|----------------------|
| <input checked="" type="radio"/> Ein | <input type="radio"/> Aus | <input checked="" type="radio"/> Blinkend | |
| |  | | Hochdrehzahl-Modus |
| |  | | Hochdrehmoment-Modus |
| |  | | Überlastwarnung |

Drehzahl-Umschaltung

ANMERKUNG: Betätigen Sie den Drehzahl-Umschaltknopf erst, nachdem das Werkzeug zu einem vollständigen Stillstand gekommen ist. Durch Umschalten der Drehzahl bei noch laufendem Werkzeug kann das Werkzeug beschädigt werden.

ANMERKUNG: Rasten Sie den Drehzahl-Umschaltknopf stets sorgfältig in die korrekte Position ein. Wird das Werkzeug bei einer Zwischenstellung des Drehzahl-Umschaltknopfes zwischen den Positionen 1 und 2 betrieben, kann es beschädigt werden.

Zwei Drehzahlbereiche können mit dem Drehzahl-Umschaltknopf vorgewählt werden. Drücken Sie zum Umschalten der Drehzahl den Sperrknopf, und drehen Sie den Drehzahl-Umschaltknopf so, dass der Zeiger auf die Position 1 für niedrige Drehzahl bzw. auf die Position 2 für hohe Drehzahl zeigt.

► Abb.11: 1. Sperrknopf 2. Zeiger
3. Drehzahl-Umschaltknopf

Drehmomentbegrenzer

Der Drehmomentbegrenzer wird bei Erreichen eines bestimmten Drehmoments bei der Niederdrehzahl-Einstellung (Position 1) ausgelöst. Der Motor wird von der Ausgangswelle abgekuppelt. Wenn dies eintritt, bleibt der Werkzeugeinsatz stehen.

Um das Werkzeug wieder zu starten, heben Sie den Werkzeugeinsatz aus dem Loch heraus, und betätigen Sie dann den Auslöseschalter erneut.

Funktion zur Verhütung eines versehentlichen Wiederanlaufs

Eine Sperrfunktion für den Auslöseschalter, um einen unbeabsichtigten Betrieb zu verhindern. Das Werkzeug startet nicht, falls Sie die Hauptbetriebstaste beim Betätigen des Auslöseschalters drücken.

Um das Werkzeug neu zu starten, lassen Sie den Auslöseschalter los und betätigen ihn dann erneut.

Elektronikfunktion

Für komfortablen Betrieb ist das Werkzeug mit den folgenden Elektronikfunktionen ausgestattet.

Elektrische Bremse

Dieses Werkzeug ist mit einer elektrischen Bremse ausgestattet. Falls das Werkzeug nach dem Loslassen des Auslöseschalters ständig nicht sofort anhält, lassen Sie es von einer Makita-Kundendienststelle warten.

Soft-Start-Funktion

Diese Funktion ermöglicht weiches Anlaufen des Werkzeugs durch Begrenzung des Anlaufdrehmoments.

Riemenöse

⚠️ WARNUNG: Verwenden Sie die Riemenöse nicht für andere Zwecke außer dem Aufhängen oder der Diebstahlsicherung des Werkzeugs. Anderenfalls können Personenschäden auftreten.

► **Abb.12:** 1. Riemenöse

MONTAGE

Anbringen und Abnehmen des Akkus

⚠️ VORSICHT: Schalten Sie das Werkzeug stets aus, bevor Sie den Akku anbringen oder abnehmen.

⚠️ VORSICHT: Halten Sie das Werkzeug und den Akku beim Anbringen oder Abnehmen des Akkus sicher fest. Wenn Sie das Werkzeug und den Akku nicht sicher festhalten, können sie Ihnen aus der Hand rutschen, was zu einer Beschädigung des Werkzeugs und des Akkus und zu Körperverletzungen führen kann.

► **Abb.13:** 1. Rote Anzeige 2. Knopf 3. Akku

Ziehen Sie den Akku zum Abnehmen vom Werkzeug ab, während Sie den Knopf an der Vorderseite des Akkus verschieben.

Richten Sie zum Anbringen des Akkus dessen Führungsfeder auf die Nut im Gehäuse aus, und schieben Sie den Akku hinein. Schieben Sie ihn vollständig ein, bis er mit einem leisen Klicken einrastet. Wenn Sie die rote Anzeige sehen können, wie in der Abbildung gezeigt, ist der Akku nicht vollständig verriegelt.

⚠️ VORSICHT: Schieben Sie den Akku stets bis zum Anschlag ein, bis die rote Anzeige nicht mehr sichtbar ist. Anderenfalls kann er aus dem Werkzeug herausfallen und Sie oder umstehende Personen verletzen.

⚠️ VORSICHT: Unterlassen Sie Gewaltanwendung beim Anbringen des Akkus. Falls der Akku nicht reibungslos hineingleitet, ist er nicht richtig ausgerichtet.

Montieren des Schlangenbohrers

⚠️ VORSICHT: Vergewissern Sie sich vor der Ausführung von Arbeiten am Werkzeug stets, dass das Werkzeug ausgeschaltet und der Akku abgenommen ist.

⚠️ VORSICHT: Vergewissern Sie sich beim Anbringen des Schlangenbohrers an der Spindel, dass der Bohrerstift verriegelt ist, und überprüfen Sie den Bohrerstift auf eventuelle Schäden.

⚠️ VORSICHT: Wenn Sie das Werkzeug tragen, entfernen Sie den Schlangenbohrer vom Werkzeug.

Montieren des Schlangenbohrers an der Spindel

HINWEIS: Form und Mechanismus des Schlangenbohrers und Bohrerstifts können je nach Ihrem Schlangenbohrer variieren.

Richten Sie das Loch in der Spindel auf das Loch im Schlangenbohrer aus.

Setzen Sie den Schlangenbohrer auf die Spindel.

► **Abb.14:** 1. Schlangenbohrer 2. Spindel

Fixieren Sie den Schlangenbohrer mit dem Bohrerstift und dem Sicherheitsbügel.

► **Abb.15:** 1. Bohrerstift 2. Sicherheitsbügel

BETRIEB

⚠️ VORSICHT: Dies ist ein leistungsstarkes Werkzeug, das ein hohes Drehmoment erzeugt. Es ist wichtig, dass das Werkzeug sicher gehalten und richtig abgestützt wird.

⚠️ VORSICHT: Vergewissern Sie sich vor dem Betrieb, dass sich keine Fremdkörper (Sand, Schmutz usw.) in den Öffnungen oder an beweglichen Teilen befinden.

Arbeitshaltung

Die Aufrechterhaltung der richtigen Betriebsposition ist eines der wichtigsten und effektivsten Verfahren, um Rückschlag unter Kontrolle zu halten.

Behalten Sie die richtige Positionierung bei, indem Sie die folgenden Punkte üben.

- Positionieren Sie das Werkzeug so, dass die Stange des Reaktionsempfängers immer die linke Seite Ihrer Taille berührt.
- Greifen Sie den Handgriff und den Seitengriff mit beiden Händen. Legen Sie Ihre Finger um die Griffbereiche, wobei Sie die Griffbereiche mit Daumen und Zeigefinger umschlingen.
- Halten Sie Ihren Rücken so senkrecht wie möglich, indem Sie Ihre Beine während des Aushubvorgangs bei Bedarf beugen.
- Machen Sie sich auf die Drehmoment-Reaktionskraft des Werkzeugs gefasst. Behalten Sie stets die Betriebsposition bei, damit Sie der Drehmoment-Reaktionskraft standhalten können.

► **Abb.16:** 1. Handgriff 2. Seitengriff 3. Stange des Reaktionsempfängers

⚠️ WARNUNG: Vermeiden Sie ungeeignete Positionierung. Stehen Sie nicht zu weit vom Werkzeug entfernt. Anderenfalls werden richtige Reaktion und Kontrolle im Falle von Rückschlag eventuell nicht erzielt.

► **Abb.17**

Aushubvorgang

⚠ VORSICHT: Halten Sie das Werkzeug während der Benutzung mit festem Griff.

⚠ VORSICHT: Halten Sie Ihr Gesicht und Ihre Hände während des Betriebs von Bohraufsätzen wie einem Schlangenbohrer, rotierenden Teilen und Schneidabfällen fern.

⚠ VORSICHT: Wenn Sie eine Pause einlegen, lassen Sie das Werkzeug nicht im Boden stecken, und lehnen Sie es auch nicht gegen eine Wand. Lagern Sie das Werkzeug in stabilem Zustand.

ANMERKUNG: Wenn die Drehzahl sehr stark abfällt, verringern Sie die Last, oder halten Sie das Werkzeug an, um Beschädigung des Werkzeugs zu vermeiden.

ANMERKUNG: Übermäßige Druckausübung auf das Werkzeug bewirkt keine Beschleunigung der Aushubleistung. Im Gegenteil; übermäßiger Druck führt zu einer Beschädigung der Spitze des Schlangenbohrers und damit zu einer Verringerung der Leistungsfähigkeit sowie zu einer Verkürzung der Lebensdauer des Werkzeugs.

ANMERKUNG: Vermeiden Sie Ausheben in Material, bei dem Sie den Verdacht haben, dass verborgene Nägel oder andere Gegenstände vorhanden sind, die Klemmen oder Abbrechen des Schlangenbohrers verursachen können.

ANMERKUNG: Wenn das Werkzeug im Dauerbetrieb bis zur vollkommenen Entladung des Akkus benutzt wurde, lassen Sie das Werkzeug vor dem Fortsetzen des Betriebs mit einem frischen Akku 15 Minuten lang ruhen.

- Wählen Sie die Geschwindigkeit (hoch/niedrig) ordnungsgemäß je nach Lochdurchmesser und Bodenbeschaffenheit.
- Wenn Sie ein tiefes Loch ausheben oder in Lehmbo den graben, versuchen Sie nicht, sofort alles auszuheben. Graben Sie das Loch, indem Sie das Werkzeug anheben und absenken, so dass der Boden in dem Loch herausbefördert werden kann.
- Falls die Drehzahl des Werkzeugs aufgrund starker Belastung abfällt, heben Sie das Werkzeug ein wenig an, und bewegen Sie das Werkzeug auf und ab, um in kleinen Schritten auszuheben.

Bei Rückwärtsdrehung des Schlangenbohrers

Ein festsetzender Schlangenbohrer lässt sich durch einfaches Umschalten der Drehrichtung wieder herausdrehen.

Stützen Sie das Werkzeug bei Rückwärtsbetrieb mit Ihrem Körper ab, um eine rechtsdrehende Gegenkraft aufzufangen.

► Abb.18

⚠ VORSICHT: Halten Sie das Werkzeug mit festem Griff. Anderenfalls kann das Werkzeug plötzlich herausschnellen und eine Verletzung verursachen.

WARTUNG

⚠ VORSICHT: Vergewissern Sie sich vor der Durchführung von Inspektions- oder Wartungsarbeiten stets, dass das Werkzeug ausgeschaltet und der Akku abgenommen ist.

ANMERKUNG: Verwenden Sie auf keinen Fall Benzin, Waschbenzin, Verdünnern, Alkohol oder dergleichen. Solche Mittel können Verfärbung, Verformung oder Rissbildung verursachen.

Um die SICHERHEIT und ZUVERLÄSSIGKEIT dieses Produkts zu gewährleisten, sollten Reparaturen und andere Wartungs- oder Einstellarbeiten nur von Makita-Vertragswerkstätten oder Makita-Kundendienstzentren unter ausschließlicher Verwendung von Makita-Originalersatzteilen ausgeführt werden.

SONDERZUBEHÖR

⚠ VORSICHT: Die folgenden Zubehörteile oder Vorrichtungen werden für den Einsatz mit dem in dieser Anleitung beschriebenen Makita-Werkzeug empfohlen. Die Verwendung anderer Zubehörteile oder Vorrichtungen kann eine Verletzungsgefahr darstellen. Verwenden Sie Zubehörteile oder Vorrichtungen nur für ihren vorgesehenen Zweck.

Wenn Sie weitere Einzelheiten bezüglich dieser Zubehörteile benötigen, wenden Sie sich bitte an Ihre Makita-Kundendienststelle.

- Schlangenbohrer
- Handgriffsatz
- Schlangenbohrer-Verlängerungsstange
- Original-Makita-Akku und -Ladegerät

HINWEIS: Manche Teile in der Liste können als Standardzubehör im Werkzeugsatz enthalten sein. Sie können von Land zu Land unterschiedlich sein.

Makita Europe N.V. Jan-Baptist Vinkstraat 2,
3070 Kortenberg, Belgium

Makita Corporation 3-11-8, Sumiyoshi-cho,
Anjo, Aichi 446-8502 Japan

www.makita.com

885A36-977
EN, PL, HU, SK,
CS, UK, RO, DE
20230120