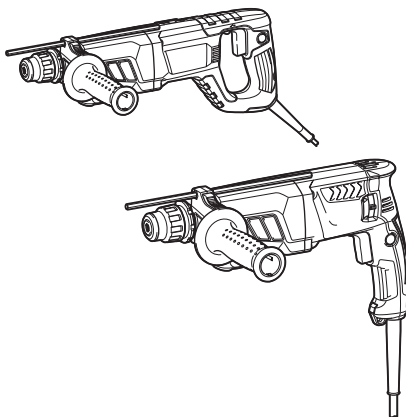




EN	Combination Hammer	INSTRUCTION MANUAL	7
UK	Перфоратор	ІНСТРУКЦІЯ З ЕКСПЛУАТАЦІЇ	14
PL	Młotowiertarka z Opcją Kucia	INSTRUKCJA OBSŁUGI	21
RO	Ansamblu percutor multifuncțional	MANUAL DE INSTRUCȚIUNI	28
DE	Kombi-Hammer	BEDIENUNGSANLEITUNG	35
HU	Fúrókalapács	HASZNÁLATI KÉZIKÖNYV	42
SK	Kombinované kladivo	NÁVOD NA OBSLUHU	49
CS	Kombinované kladivo	NÁVOD K OBSLUZE	56

**HR2631F**  
**HR2631FT**  
**HR2641**  
**HR2320T**  
**HR2630**  
**HR2630T**



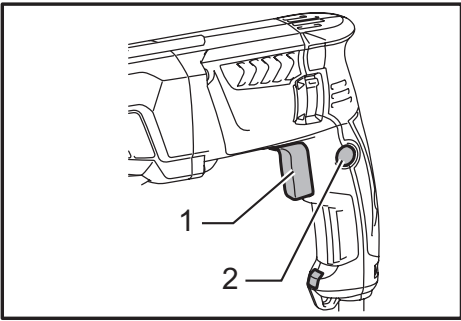


Fig.1

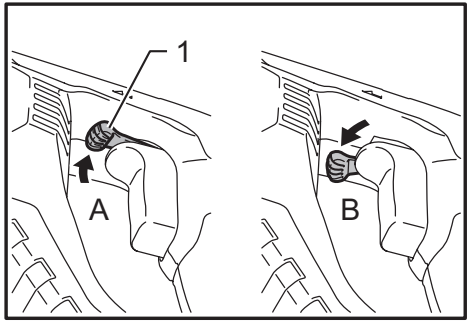


Fig.5

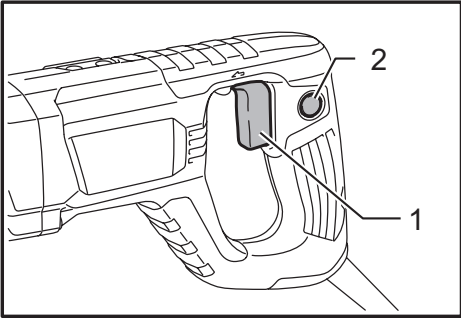


Fig.2

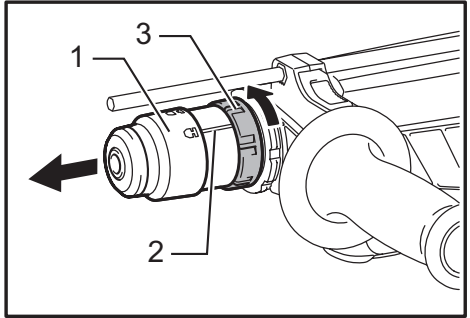


Fig.6

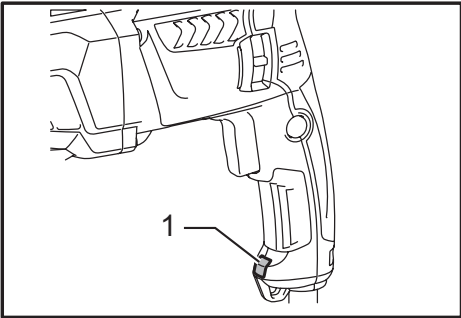


Fig.3

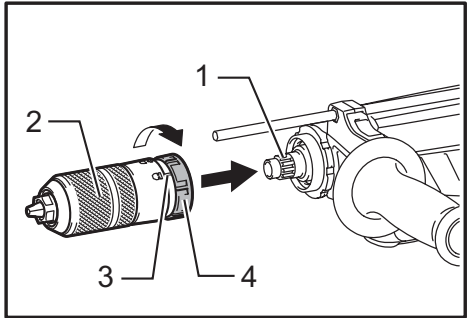


Fig.7

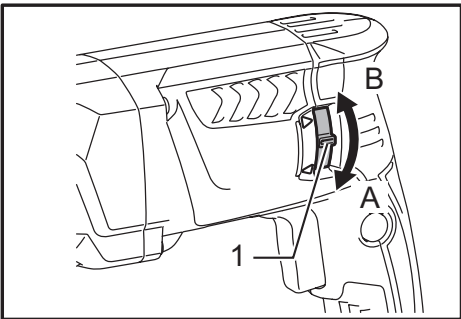


Fig.4

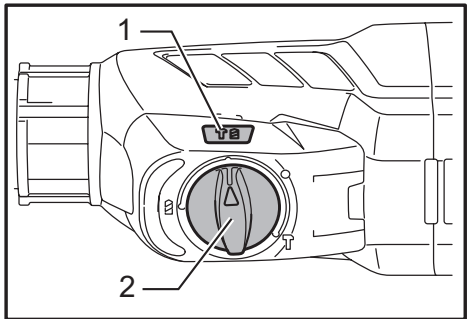


Fig.8

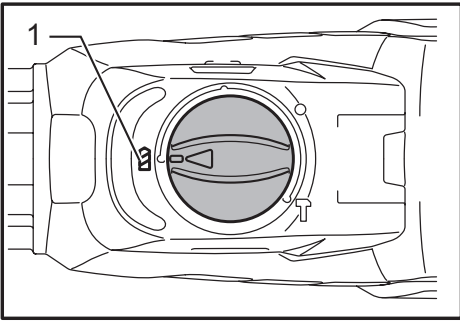


Fig.9

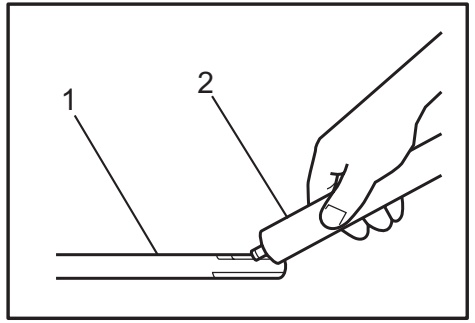


Fig.13

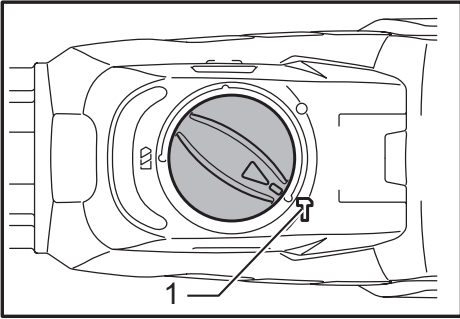


Fig.10

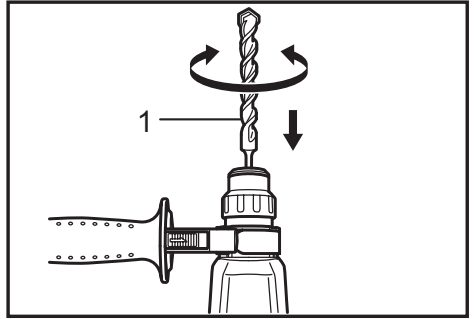


Fig.14

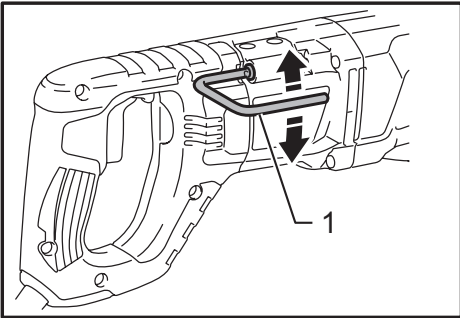


Fig.11

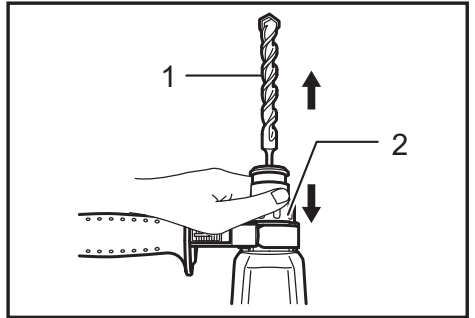


Fig.15

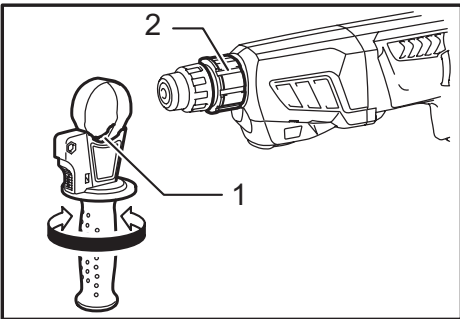


Fig.12

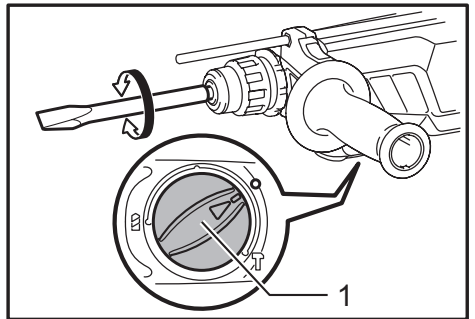


Fig.16

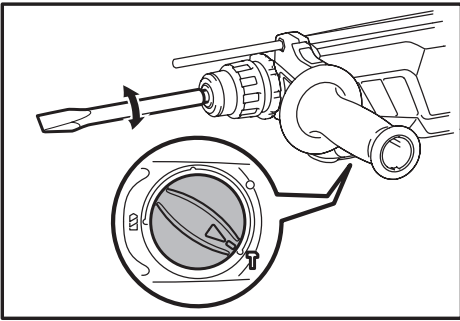


Fig.17

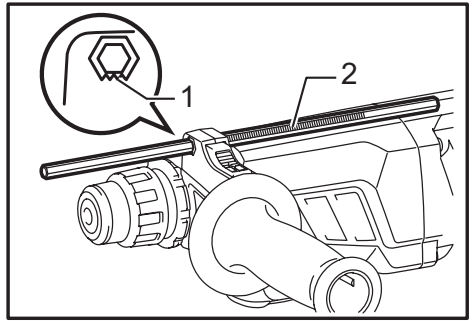


Fig.21

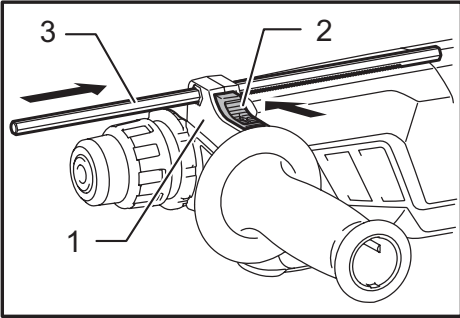


Fig.18

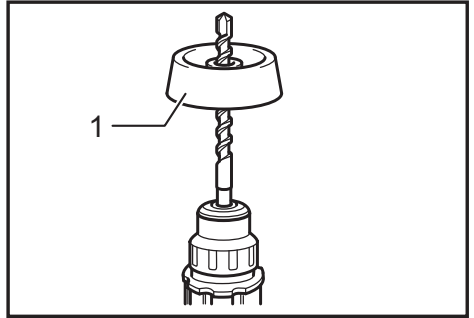


Fig.22

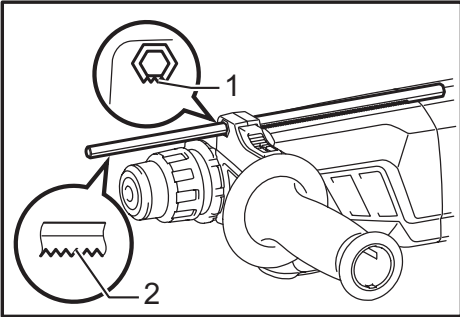


Fig.19

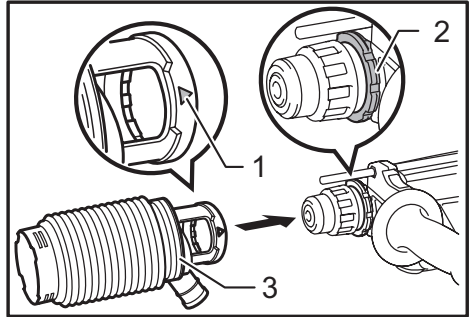


Fig.23

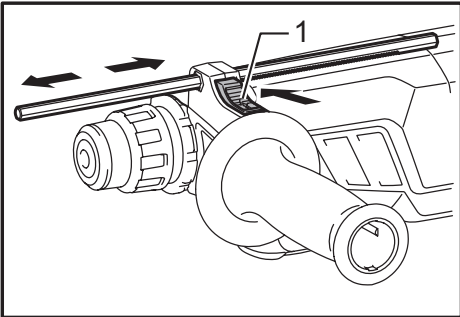


Fig.20

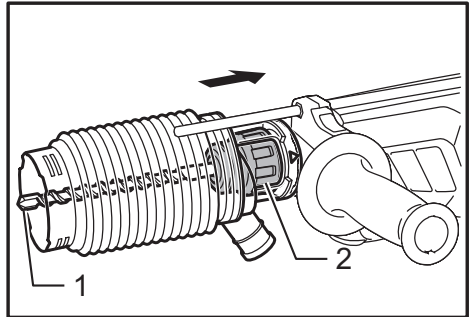


Fig.24

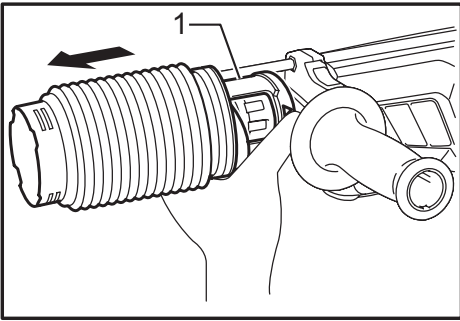


Fig.25

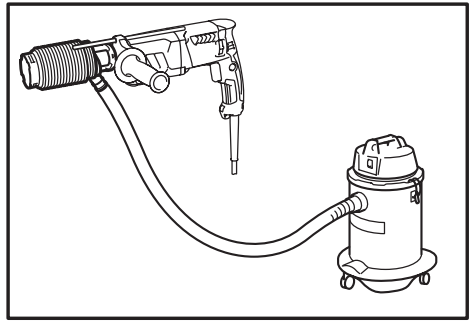


Fig.29

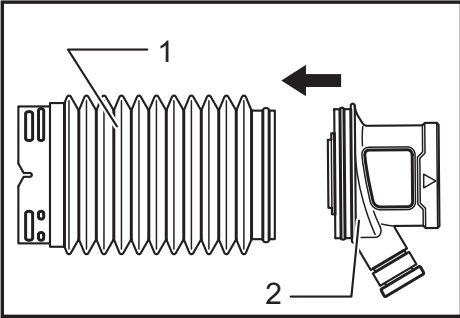


Fig.26

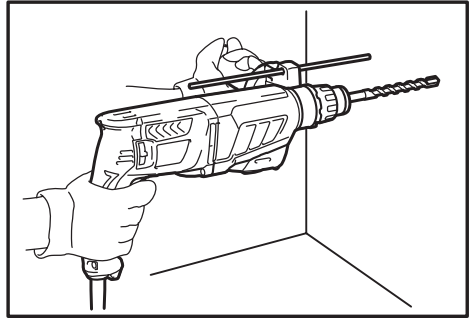


Fig.30

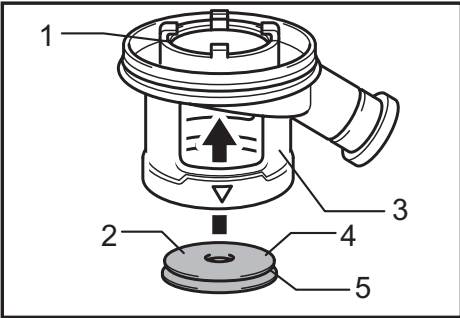


Fig.27

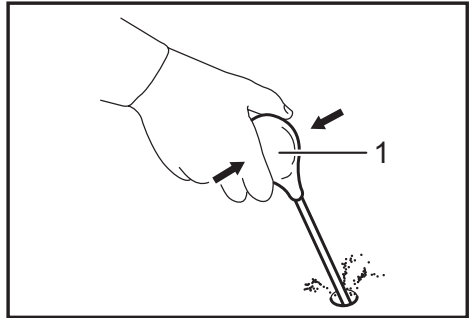


Fig.31

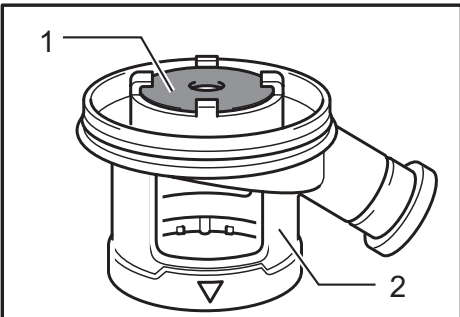


Fig.28

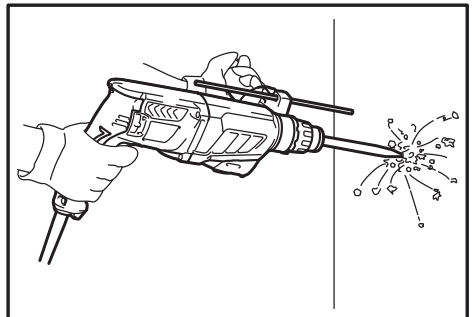


Fig.32

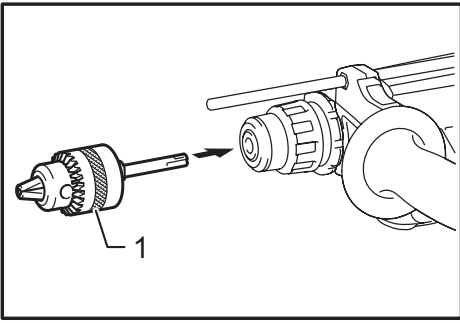


Fig.33

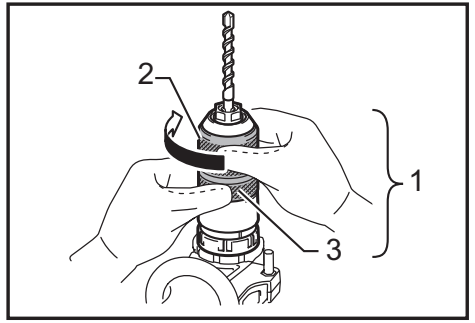


Fig.37

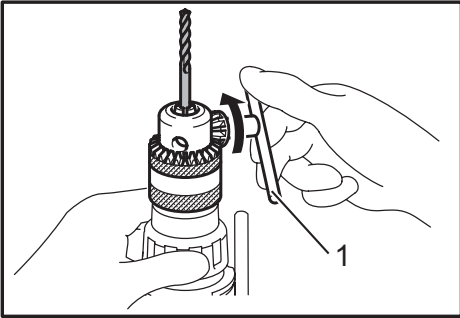


Fig.34

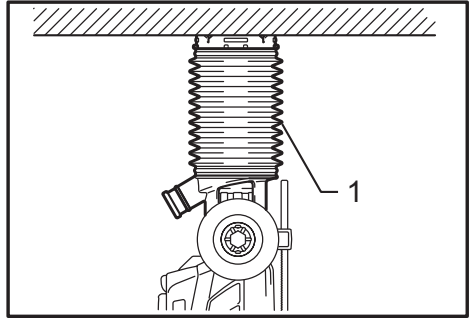


Fig.38

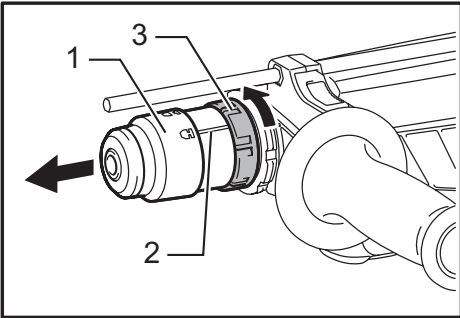


Fig.35

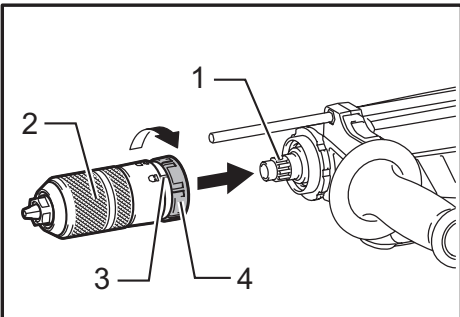


Fig.36

# SPECIFICATIONS

Model		HR2631F	HR2631FT	HR2641	HR2320T	HR2630	HR2630T
Capacities	Concrete	26 mm			23 mm	26 mm	
	Core bit	68 mm					
	Diamond core bit (dry type)	80 mm			70 mm	80 mm	
	Steel	13 mm					
	Wood	32 mm					
No load speed	0 - 1,200 min <sup>-1</sup>			0 - 1,100 min <sup>-1</sup>	0 - 1,200 min <sup>-1</sup>		
Blows per minute	0 - 4,600 min <sup>-1</sup>			0 - 4,500 min <sup>-1</sup>	0 - 4,600 min <sup>-1</sup>		
Overall length	361 mm	385 mm	422 mm	380 mm	361 mm	385 mm	
Net weight	2.9 kg		3.1 kg		2.9 kg	2.8 kg	3.0 kg
Safety class	II/III						

• Due to our continuing program of research and development, the specifications herein are subject to change without notice.

• Specifications may differ from country to country.

• Weight according to EPTA-Procedure 01/2003

## Intended use

The tool is intended for hammer drilling and drilling in brick, concrete and stone.

It is also suitable for drilling without impact in wood, metal, ceramic and plastic.

## Power supply

The tool should be connected only to a power supply of the same voltage as indicated on the nameplate, and can only be operated on single-phase AC supply. They are double-insulated and can, therefore, also be used from sockets without earth wire.

## Noise

The typical A-weighted noise level determined according to EN60745:

### Model HR2631F, HR2631FT, HR2641

Sound pressure level ( $L_{pA}$ ): 90 dB(A)

Sound power level ( $L_{WA}$ ): 101 dB(A)

Uncertainty (K): 3 dB(A)

### Model HR2320T, HR2630, HR2630T

Sound pressure level ( $L_{pA}$ ): 91 dB(A)

Sound power level ( $L_{WA}$ ): 102 dB(A)

Uncertainty (K): 3 dB(A)

## Wear ear protection

## Vibration

The vibration total value (tri-axial vector sum) determined according to EN60745:

### Model HR2631F

Work mode : hammer drilling into concrete

Vibration emission ( $a_{h,HD}$ ): 12.0 m/s<sup>2</sup>

Uncertainty (K): 1.5 m/s<sup>2</sup>

Work mode : chiselling function with side grip

Vibration emission ( $a_{h,CHeg}$ ): 9.0 m/s<sup>2</sup>

Uncertainty (K): 1.5 m/s<sup>2</sup>

Work mode: drilling into metal

Vibration emission ( $a_{h,D}$ ): 2.5 m/s<sup>2</sup> or less

Uncertainty (K): 1.5 m/s<sup>2</sup>

### Model HR2631FT

Work mode : hammer drilling into concrete

Vibration emission ( $a_{h,HD}$ ): 11.5 m/s<sup>2</sup>

Uncertainty (K): 1.5 m/s<sup>2</sup>

Work mode : chiselling function with side grip

Vibration emission ( $a_{h,CHeg}$ ): 8.5 m/s<sup>2</sup>

Uncertainty (K): 1.5 m/s<sup>2</sup>

Work mode: drilling into metal

Vibration emission ( $a_{h,D}$ ): 2.5 m/s<sup>2</sup> or less

Uncertainty (K): 1.5 m/s<sup>2</sup>

### Model HR2641

Work mode : hammer drilling into concrete

Vibration emission ( $a_{h,HD}$ ): 11.5 m/s<sup>2</sup>

Uncertainty (K): 1.5 m/s<sup>2</sup>

Work mode : chiselling function with side grip

Vibration emission ( $a_{h,CHeg}$ ): 9.0 m/s<sup>2</sup>

Uncertainty (K): 1.5 m/s<sup>2</sup>

Work mode: drilling into metal

Vibration emission ( $a_{h,D}$ ): 2.5 m/s<sup>2</sup>

Uncertainty (K): 1.5 m/s<sup>2</sup>

### Model HR2320T

Work mode : hammer drilling into concrete

Vibration emission ( $a_{h,HD}$ ): 15.5 m/s<sup>2</sup>

Uncertainty (K): 1.5 m/s<sup>2</sup>

Work mode : chiselling function with side grip

Vibration emission ( $a_{h,CHeg}$ ): 10.5 m/s<sup>2</sup>

Uncertainty (K): 1.5 m/s<sup>2</sup>

Work mode: drilling into metal

Vibration emission ( $a_{h,D}$ ): 2.5 m/s<sup>2</sup> or less

Uncertainty (K): 1.5 m/s<sup>2</sup>

### Model HR2630

Work mode : hammer drilling into concrete

Vibration emission ( $a_{h,HD}$ ): 15.5 m/s<sup>2</sup>

Uncertainty (K): 1.5 m/s<sup>2</sup>

Work mode : chiselling function with side grip

Vibration emission ( $a_{h,CHeg}$ ): 9.5 m/s<sup>2</sup>

Uncertainty (K): 1.5 m/s<sup>2</sup>

Work mode: drilling into metal  
Vibration emission ( $a_{h,D}$ ): 2.5 m/s<sup>2</sup>  
Uncertainty (K): 1.5 m/s<sup>2</sup>

#### Model HR2630T

Work mode: hammer drilling into concrete  
Vibration emission ( $a_{h,HD}$ ): 15.0 m/s<sup>2</sup>  
Uncertainty (K): 1.5 m/s<sup>2</sup>  
Work mode: chiselling function with side grip  
Vibration emission ( $a_{h,CHGR}$ ): 9.5 m/s<sup>2</sup>  
Uncertainty (K): 1.5 m/s<sup>2</sup>  
Work mode: drilling into metal  
Vibration emission ( $a_{h,D}$ ): 2.5 m/s<sup>2</sup> or less  
Uncertainty (K): 1.5 m/s<sup>2</sup>

**NOTE:** The declared vibration emission value has been measured in accordance with the standard test method and may be used for comparing one tool with another.

**NOTE:** The declared vibration emission value may also be used in a preliminary assessment of exposure.

**⚠WARNING:** The vibration emission during actual use of the power tool can differ from the declared emission value depending on the ways in which the tool is used.

**⚠WARNING:** Be sure to identify safety measures to protect the operator that are based on an estimation of exposure in the actual conditions of use (taking account of all parts of the operating cycle such as the times when the tool is switched off and when it is running idle in addition to the trigger time).

## For European countries only

## EC Declaration of Conformity

**Makita declares that the following Machine(s):**

Designation of Machine:  
Combination Hammer  
Model No./ Type: HR2631F, HR2631FT, HR2641,  
HR2320T, HR2630, HR2630T

**Conforms to the following European Directives:**  
2006/42/EC

They are manufactured in accordance with the following standard or standardized documents:  
EN60745

The technical file in accordance with 2006/42/EC is available from:

Makita, Jan-Baptist Vinkstraat 2, 3070, Belgium

19.5.2014



Yasushi Fukaya  
Director

Makita, Jan-Baptist Vinkstraat 2, 3070, Belgium

## General Power Tool Safety Warnings

**⚠WARNING** Read all safety warnings and all instructions. Failure to follow the warnings and instructions may result in electric shock, fire and/or serious injury.

**Save all warnings and instructions for future reference.**

## ROTARY HAMMER SAFETY WARNINGS

1. **Wear ear protectors.** Exposure to noise can cause hearing loss.
2. **Use auxiliary handle(s), if supplied with the tool.** Loss of control can cause personal injury.
3. **Hold power tool by insulated gripping surfaces, when performing an operation where the cutting accessory may contact hidden wiring or its own cord.** Cutting accessory contacting a "live" wire may make exposed metal parts of the power tool "live" and could give the operator an electric shock.
4. **Wear a hard hat (safety helmet), safety glasses and/or face shield. Ordinary eye or sun glasses are NOT safety glasses.** It is also highly recommended that you wear a dust mask and thickly padded gloves.
5. **Be sure the bit is secured in place before operation.**
6. **Under normal operation, the tool is designed to produce vibration. The screws can come loose easily, causing a breakdown or accident. Check tightness of screws carefully before operation.**
7. **In cold weather or when the tool has not been used for a long time, let the tool warm up for a while by operating it under no load. This will loosen up the lubrication. Without proper warm-up, hammering operation is difficult.**
8. **Always be sure you have a firm footing. Be sure no one is below when using the tool in high locations.**
9. **Hold the tool firmly with both hands.**
10. **Keep hands away from moving parts.**
11. **Do not leave the tool running. Operate the tool only when hand-held.**
12. **Do not point the tool at any one in the area when operating. The bit could fly out and injure someone seriously.**
13. **Do not touch the bit or parts close to the bit immediately after operation; they may be extremely hot and could burn your skin.**
14. **Some material contains chemicals which may be toxic. Take caution to prevent dust inhalation and skin contact. Follow material supplier safety data.**

## SAVE THESE INSTRUCTIONS.

**⚠WARNING:** DO NOT let comfort or familiarity with product (gained from repeated use) replace strict adherence to safety rules for the subject product. MISUSE or failure to follow the safety rules stated in this instruction manual may cause serious personal injury.



# FUNCTIONAL DESCRIPTION

## ⚠ CAUTION:

- Always be sure that the tool is switched off and unplugged before adjusting or checking function on the tool.

## Switch action

## ⚠ CAUTION:

- Before plugging in the tool, always check to see that the switch trigger actuates properly and returns to the "OFF" position when released.

► **Fig.1:** 1. Switch trigger 2. Lock button

► **Fig.2:** 1. Switch trigger 2. Lock button

To start the tool, simply pull the switch trigger. Tool speed is increased by increasing pressure on the switch trigger. Release the switch trigger to stop. For continuous operation, pull the switch trigger, push in the lock button and then release the switch trigger. To stop the tool from the locked position, pull the switch trigger fully, then release it.

## Lighting up the lamps

For Model HR2631F, HR2631FT

## ⚠ CAUTION:

- Do not look in the light or see the source of light directly.

► **Fig.3:** 1. Lamp

To turn on the lamp, pull the trigger. Release the trigger to turn it off.

## NOTE:

- Use a dry cloth to wipe the dirt off the lens of lamp. Be careful not to scratch the lens of lamp, or it may lower the illumination.
- Do not use thinner or gasoline to clean the lamp. Such solvents may damage it.

## Reversing switch action

## ⚠ CAUTION:

- Always check the direction of rotation before operation.
- Use the reversing switch only after the tool comes to a complete stop. Changing the direction of rotation before the tool stops may damage the tool.

For Model HR2631F, HR2631FT, HR2320T, HR2630, HR2630T

## ⚠ CAUTION:

- If the switch trigger can not be depressed, check to see that the reversing switch is fully set to position ◀ (A side) or ▶ (B side).

► **Fig.4:** 1. Reversing switch lever

This tool has a reversing switch to change the direction of rotation. Move the reversing switch lever to the ◀ position (A side) for clockwise rotation or the ▶ position (B side) for counterclockwise rotation.

For Model HR2641

► **Fig.5:** 1. Reversing switch lever

## NOTE:

- When you operate the tool in counterclockwise rotation, the switch trigger is pulled only halfway and the tool runs at half speed. For counterclockwise rotation, you cannot push in the lock button.

This tool has a reversing switch to change the direction of rotation. Move the reversing switch lever to the ◀ position (A side) for clockwise rotation or the ▶ position (B side) for counterclockwise rotation.

## Changing the quick change chuck for SDS-plus

For Model HR2631FT, HR2320T, HR2630T



The quick change chuck for SDS-plus can be easily exchanged for the quick change drill chuck.

## Removing the quick change chuck for SDS-plus

## ⚠ CAUTION:

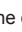
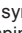
- Before removing the quick change chuck for SDS-plus, always remove the bit.


► **Fig.6:** 1. Quick change chuck for SDS-plus  
2. Change cover line 3. Change cover

Grasp the change cover of the quick change chuck for SDS-plus and turn in the direction of the arrow until the change cover line moves from the  symbol to the  symbol. Pull forcefully in the direction of the arrow.

## Attaching the quick change drill chuck

► **Fig.7:** 1. Spindle 2. Quick change drill chuck  
3. Change cover line 4. Change cover

Check the line of the quick change drill chuck shows the  symbol. Grasp the change cover of the quick change drill chuck and set the line to the  symbol. Place the quick change drill chuck on the spindle of the tool.

Grasp the change cover of the quick change drill chuck and turn the change cover line to the  symbol until a click can clearly be heard.


## Selecting the action mode

### ⚠ CAUTION:

- Do not rotate the action mode changing knob when the tool is running. The tool will be damaged.
- To avoid rapid wear on the mode change mechanism, be sure that the action mode changing knob is always positively located in one of the three action mode positions.


## Rotation with hammering

- **Fig.8:** 1. Rotation with hammering 2. Action mode changing knob

For drilling in concrete, masonry, etc., rotate the action mode changing knob to the  symbol. Use a tungsten-carbide tipped bit.


## Rotation only

- **Fig.9:** 1. Rotation only

For drilling in wood, metal or plastic materials, rotate the action mode changing knob to the  symbol. Use a twist drill bit or wood bit.

## Hammering only

- **Fig.10:** 1. Hammering only

For chipping, scaling or demolition operations, rotate the action mode changing knob to the  symbol. Use a bull point, cold chisel, scaling chisel, etc.

## Torque limiter

### ⚠ CAUTION:

- As soon as the torque limiter actuates, switch off the tool immediately. This will help prevent premature wear of the tool.
- Bits such as hole saw, which tend to pinch or catch easily in the hole, are not appropriate for this tool. This is because they will cause the torque limiter to actuate too frequently.

The torque limiter will actuate when a certain torque level is reached. The motor will disengage from the output shaft. When this happens, the bit will stop turning.

## Hook

### For Model HR2641

### ⚠ CAUTION:

- Never hook the tool at high location or on potentially unstable surface.

- **Fig.11:** 1. Hook

The hook is convenient for hanging the tool temporarily. To use the hook, simply lift up hook until it snaps into the open position.

When not in use, always lower hook until it snaps into the closed position.

## ASSEMBLY

### ⚠ CAUTION:

- Always be sure that the tool is switched off and unplugged before carrying out any work on the tool.

## Side grip (auxiliary handle)

- **Fig.12:** 1. Protrusions 2. Grooves

### ⚠ CAUTION:

- Always use the side grip to ensure operating safety.

Install the side grip so that the protrusions on the grip fit in between the grooves on the tool barrel. Then tighten the grip by turning clockwise at the desired position. It may be swung 360° so as to be secured at any position.

## Bit grease

Coat the bit shank head beforehand with a small amount of bit grease (about 0.5 - 1 g). This chuck lubrication assures smooth action and longer service life.

## Installing or removing the bit

- **Fig.13:** 1. Bit shank 2. Bit grease

Clean the bit shank and apply bit grease before installing the bit.

- **Fig.14:** 1. Bit

Insert the bit into the tool. Turn the bit and push it in until it engages.

After installing, always make sure that the bit is securely held in place by trying to pull it out.

- **Fig.15:** 1. Bit 2. Chuck cover


To remove the bit, pull the chuck cover down all the way and pull the bit out.

## Bit angle (when chipping, scaling or demolishing)

- **Fig.16:** 1. Action mode changing knob

The bit can be secured at the desired angle. To change the bit angle, rotate the action mode changing knob to the **O** symbol. Turn the bit to the desired angle.

- **Fig.17**

Rotate the action mode changing knob to the  symbol. Then make sure that the bit is securely held in place by turning it slightly.

## Depth gauge

The depth gauge is convenient for drilling holes of uniform depth.

- **Fig.18:** 1. Grip base 2. Lock button 3. Depth gauge

Press the lock button on the grip base in the direction of arrow shown in the figure and with the lock button being pressed insert the depth gauge into the hex. hole in the grip base

- **Fig.19:** 1. Toothed side of hex hole marking on the grip base 2. Toothed side of the depth gauge

At this time, the depth gauge needs to be inserted so that its toothed side is directed to the toothed side of the hex hole marking on the grip base as shown in the figure.

► **Fig.20:** 1. Lock button

Adjust the depth gauge to the desired depth by moving it back and forth while pressing the lock button. After the adjustment, release the lock button to lock the depth gauge.

► **Fig.21:** 1. Toothed side of hex hole marking on the grip base 2. Toothed side of the depth gauge

**NOTE:**

- Inserting the depth gauge with its toothed side not directed to the toothed side of hex hole marking on the grip base as shown in the figure does not allow the depth gauge to be locked.

## Dust cup (optional accessory)


► **Fig.22:** 1. Dust cup

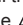
Use the dust cup to prevent dust from falling over the tool and on yourself when performing overhead drilling operations. Attach the dust cup to the bit as shown in the figure. The size of bits which the dust cup can be attached to is as follows.

	Bit diameter
Dust cup 5	6 mm - 14.5 mm
Dust cup 9	12 mm - 16 mm

There is another type of dust cup (optional accessory) which helps you prevent dust from falling over the tool and on yourself when performing overhead drilling operations.

## Installing or removing the dust cup (optional accessory)

► **Fig.23:** 1.  symbol 2. Grooves 3. Dust cup

Before installing the dust cup, remove the bit from the tool if installed on the tool. Install the dust cup (optional accessory) on the tool so that the  symbol on the dust cup is aligned with the grooves in the tool.

► **Fig.24:** 1. Bit 2. Chuck cover

To remove the dust cup, pull the chuck cover in the direction as shown in the figure and with the chuck cover pulled take the bit out of the tool.

► **Fig.25:** 1. Attachment at the foot of dust cup

And then grab the attachment at the foot of dust cup and take it out.

► **Fig.26:** 1. Bellows 2. Attachment

► **Fig.27:** 1. Inside periphery 2. Flat side 3. Attachment 4. Cap 5. Groove

► **Fig.28:** 1. Cap 2. Attachment

**NOTE:**

- When installing or removing the dust cup, the cap may come off the dust cup. At that time, proceed as follows. Remove the bellows from the attachment and fit the cap from the side shown in the figure with its flat side facing upward so that the groove in the cap fits in the inside periphery of the attachment. Finally, mount the bellows that has been removed.

► **Fig.29**

**NOTE:**

- If you connect a vacuum cleaner to your hammer, cleaner operations can be performed. Dust cap needs to be removed from the dust cup before the connection.

## OPERATION

**CAUTION:**


- Always use the side grip (auxiliary handle) and firmly hold the tool by both side grip and switch handle during operations.

## Hammer drilling operation

**CAUTION:**

- There is a tremendous and sudden twisting force exerted on the tool/bit at the time of hole break-through, when the hole becomes clogged with chips and particles, or when striking reinforcing rods embedded in the concrete. Always use the side grip (auxiliary handle) and firmly hold the tool by both side grip and switch handle during operations. Failure to do so may result in the loss of control of the tool and potentially severe injury.

► **Fig.30**

Set the action mode changing knob to the  symbol. Position the bit at the desired location for the hole, then pull the switch trigger. Do not force the tool. Light pressure gives best results. Keep the tool in position and prevent it from slipping away from the hole.

Do not apply more pressure when the hole becomes clogged with chips or particles. Instead, run the tool at an idle, then remove the bit partially from the hole. By repeating this several times, the hole will be cleaned out and normal drilling may be resumed.

**NOTE:** Eccentricity in the bit rotation may occur while operating the tool with no load. The tool automatically centers itself during operation. This does not affect the drilling precision.


## Blow-out bulb (optional accessory)

► **Fig.31:** 1. Blow-out bulb

After drilling the hole, use the blow-out bulb to clean the dust out of the hole.

## Chipping/Scaling/Demolition


► **Fig.32**

Set the action mode changing knob to the  symbol. Hold the tool firmly with both hands. Turn the tool on and apply slight pressure on the tool so that the tool will not bounce around, uncontrolled. Pressing very hard on the tool will not increase the efficiency.

## Drilling in wood or metal

### **⚠ CAUTION:**

- Never use "rotation with hammering" when the quick change drill chuck is installed on the tool. The quick change drill chuck may be damaged. Also, the drill chuck will come off when reversing the tool.
- Pressing excessively on the tool will not speed up the drilling. In fact, this excessive pressure will only serve to damage the tip of your bit, decrease the tool performance and shorten the service life of the tool.
- There is a tremendous twisting force exerted on the tool/bit at the time of hole breakthrough. Hold the tool firmly and exert care when the bit begins to break through the workpiece.
- A stuck bit can be removed simply by setting the reversing switch to reverse rotation in order to back out. However, the tool may back out abruptly if you do not hold it firmly.
- Always secure small workpieces in a vise or similar hold-down device.

Set the action mode changing knob to the  symbol. You can drill up to 13 mm diameter in metal and up to 32 mm diameter in wood.

**For Model** HR2631F, HR2641, HR2630

► **Fig.33:** 1. Drill chuck assembly (optional accessory)

Use the drill chuck assembly (optional accessory). When installing it, refer to "Installing or removing the bit" described on the previous page.

► **Fig.34:** 1. Chuck key

To install the bit, place it in the chuck as far as it will go. Tighten the chuck by hand. Place the chuck key in each of the three holes and tighten clockwise. Be sure to tighten all three chuck holes evenly.

To remove the bit, turn the chuck key counterclockwise in just one hole, then loosen the chuck by hand.

**For Model** HR2631FT, HR2320T, HR2630T

► **Fig.35:** 1. Quick change chuck for SDS-plus  
2. Change cover line 3. Change cover

► **Fig.36:** 1. Spindle 2. Quick change drill chuck  
3. Change cover line 4. Change cover

Use the quick change drill chuck as standard equipment. When installing it, refer to "changing the quick change chuck for SDS-plus" described on the previous page.

► **Fig.37:** 1. Quick change drill chuck 2. Sleeve  
3. Ring


Hold the ring and turn the sleeve counterclockwise to open the chuck jaws. Place the bit in the chuck as far as it will go. Hold the ring firmly and turn the sleeve clockwise to tighten the chuck.

To remove the bit, hold the ring and turn the sleeve counterclockwise.

## Diamond core drilling

### **⚠ CAUTION:**

- If performing diamond core drilling operations using "rotation with hammering" action, the diamond core bit may be damaged.

When performing diamond core drilling operations, always set the change lever to the  position to use "rotation only" action.

## Operation when using the dust cup (optional accessory)

► **Fig.38:** 1. Dust cup

Operate the tool with the dust cup against the ceiling surface.

### **NOTE:**

- The dust cup (optional accessory) is intended only for drilling in the ceramic workpiece such as concrete and mortar. Do not use the tool with the dust cup when drilling in metal or similar. Using the dust cup for drilling in the metal may damage the dust cup due to the heat produced by small metal dust or similar.
- Empty the dust cup before removing a drill bit.
- When using the dust cup, make sure that the dust cap is mounted on it securely.

## MAINTENANCE

### **⚠ CAUTION:**

- Always be sure that the tool is switched off and unplugged before attempting to perform inspection or maintenance.
- Never use gasoline, benzine, thinner, alcohol or the like. Discoloration, deformation or cracks may result.

To maintain product SAFETY and RELIABILITY, repairs, carbon brush inspection and replacement, any other maintenance or adjustment should be performed by Makita Authorized Service Centers, always using Makita replacement parts.

## OPTIONAL ACCESSORIES

### **⚠ CAUTION:**

- These accessories or attachments are recommended for use with your Makita tool specified in this manual. The use of any other accessories or attachments might present a risk of injury to persons. Only use accessory or attachment for its stated purpose.

If you need any assistance for more details regarding these accessories, ask your local Makita Service Center.

- SDS-Plus Carbide-tipped bits
- Core bit
- Bull point
- Diamond core bit
- Cold chisel
- Scaling chisel
- Grooving chisel
- Drill chuck assembly
- Drill chuck S13
- Chuck adapter
- Chuck key S13
- Bit grease
- Side grip
- Depth gauge
- Blow-out bulb
- Dust cup
- Safety goggles
- Plastic carrying case
- Keyless drill chuck

**NOTE:**

- Some items in the list may be included in the tool package as standard accessories. They may differ from country to country.

## ТЕХНІЧНІ ХАРАКТЕРИСТИКИ

Модель		HR2631F	HR2631FT	HR2641	HR2320T	HR2630	HR2630T
Діаметр свердління	Бетон	26 мм			23 мм	26 мм	
	Колонкове свердло	68 мм					
	Свердло із алмазним сердечником (сухе)	80 мм			70 мм	80 мм	
	Сталь	13 мм					
	Деревина	32 мм					
Швидкість без навантаження		0 - 1200 хв <sup>-1</sup>		0 - 1100 хв <sup>-1</sup>	0 - 1200 хв <sup>-1</sup>		
Ударів за хвилину		0 - 4600 хв <sup>-1</sup>		0 - 4500 хв <sup>-1</sup>	0 - 4600 хв <sup>-1</sup>		
Загальна довжина		361 мм	385 мм	422 мм	380 мм	361 мм	385 мм
Чиста вага		2,9 кг		3,1 кг		2,9 кг	3,0 кг
Клас безпеки		II/II					

- Через те, що ми не припиняємо програми досліджень і розвитку, наведені тут технічні характеристики можуть бути змінені без попередження.
- У різних крайніх технічні характеристики можуть бути різними.
- Вага відповідно до EPTA-Procedure 01/2003

### Призначення

Інструмент призначено для ударного свердління та свердління цегли, бетону та камення.

Можна також застосовувати для не ударного свердління деревини, металу, кераміки та пластмаси.

### Джерело живлення

Інструмент можна підключати лише до джерела живлення, що має напругу, зазначену в таблиці із заводськими характеристиками, і він може працювати лише від однофазного джерела змінного струму. Він має подвійну ізоляцію, а отже може також підключатися до розеток без лінії заземлення.

### Шум

Рівень шуму за шкалою А у типовому виконанні, визначений відповідно до EN60745:

#### Модель HR2631F, HR2631FT, HR2641

Рівень звукового тиску ( $L_{pA}$ ): 90 дБ (А)

Рівень звукової потужності ( $L_{WA}$ ): 101 дБ (А)

Похибка (К): 3 дБ (А)

#### Модель HR2320T, HR2630, HR2630T

Рівень звукового тиску ( $L_{pA}$ ): 91 дБ (А)

Рівень звукової потужності ( $L_{WA}$ ): 102 дБ (А)

Похибка (К): 3 дБ (А)

**Користуйтеся засобами захисту слуху**

### Вібрація

Загальна величина вібрації (сума трьох векторів) визначена згідно з EN60745:

#### Модель HR2631F

Режим роботи: свердління бетону

Вібрація ( $a_{h,HD}$ ): 12,0 м/с<sup>2</sup>

Похибка (К): 1,5 м/с<sup>2</sup>

Режим роботи: додання з використанням бокового держака

Вібрація ( $a_{h,CHeg}$ ): 9,0 м/с<sup>2</sup>

Похибка (К): 1,5 м/с<sup>2</sup>

Режим роботи: свердління металу

Вібрація ( $a_{h,D}$ ): 2,5 м/с<sup>2</sup> або менше

Похибка (К): 1,5 м/с<sup>2</sup>

#### Модель HR2631FT

Режим роботи: свердління бетону

Вібрація ( $a_{h,HD}$ ): 11,5 м/с<sup>2</sup>

Похибка (К): 1,5 м/с<sup>2</sup>

Режим роботи: додання з використанням бокового держака

Вібрація ( $a_{h,CHeg}$ ): 8,5 м/с<sup>2</sup>

Похибка (К): 1,5 м/с<sup>2</sup>

Режим роботи: свердління металу

Вібрація ( $a_{h,D}$ ): 2,5 м/с<sup>2</sup> або менше

Похибка (К): 1,5 м/с<sup>2</sup>

#### Модель HR2641

Режим роботи: свердління бетону

Вібрація ( $a_{h,HD}$ ): 11,5 м/с<sup>2</sup>

Похибка (К): 1,5 м/с<sup>2</sup>

Режим роботи: додання з використанням бокового держака

Вібрація ( $a_{h,CHeg}$ ): 9,0 м/с<sup>2</sup>

Похибка (К): 1,5 м/с<sup>2</sup>

Режим роботи: свердління металу

Вібрація ( $a_{h,D}$ ): 2,5 м/с<sup>2</sup>

Похибка (К): 1,5 м/с<sup>2</sup>

#### Модель HR2320T

Режим роботи: свердління бетону

Вібрація ( $a_{h,HD}$ ): 15,5 м/с<sup>2</sup>

Похибка (К): 1,5 м/с<sup>2</sup>

Режим роботи: додання з використанням бокового держака

Вібрація ( $a_{h,CHeg}$ ): 10,5 м/с<sup>2</sup>

Похибка (К): 1,5 м/с<sup>2</sup>

Режим роботи: свердління металу

Вібрація ( $a_{h,D}$ ): 2,5 м/с<sup>2</sup> або менше

Похибка (К): 1,5 м/с<sup>2</sup>



Ясуші Фукайа  
Директор

Makita, Jan-Baptist Vinkstraat 2, 3070, Бельгія

### Модель HR2630

Режим роботи: свердління бетону

Вібрація ( $a_{h,HD}$ ): 15,5 м/с<sup>2</sup>

Похибка (K): 1,5 м/с<sup>2</sup>

Режим роботи: довбання з використанням бокового держака

Вібрація ( $a_{h,CHeq}$ ): 9,5 м/с<sup>2</sup>

Похибка (K): 1,5 м/с<sup>2</sup>

Режим роботи: свердління металу

Вібрація ( $a_{h,D}$ ): 2,5 м/с<sup>2</sup>

Похибка (K): 1,5 м/с<sup>2</sup>

### Модель HR2630T

Режим роботи: свердління бетону

Вібрація ( $a_{h,HD}$ ): 15,0 м/с<sup>2</sup>

Похибка (K): 1,5 м/с<sup>2</sup>

Режим роботи: довбання з використанням бокового держака

Вібрація ( $a_{h,CHeq}$ ): 9,5 м/с<sup>2</sup>

Похибка (K): 1,5 м/с<sup>2</sup>

Режим роботи: свердління металу

Вібрація ( $a_{h,D}$ ): 2,5 м/с<sup>2</sup> або менше

Похибка (K): 1,5 м/с<sup>2</sup>

**ПРИМІТКА:** Заявлене значення вібрації було виміряно у відповідності до стандартних методів тестування та може використовуватися для порівняння одного інструмента з іншим.

**ПРИМІТКА:** Заявлене значення вібрації може також використовуватися для попередньої оцінки впливу.

**▲ПОПЕРЕДЖЕННЯ:** Залежно від умов використання вібрація під час фактичної роботи інструмента може відрізнятися від заявленого значення вібрації.

**▲ПОПЕРЕДЖЕННЯ:** Забезпечте належні запобіжні заходи для захисту оператора, що відповідатимуть умовам використання інструмента (слід брати до уваги всі складові робочого циклу, такі як час, коли інструмент вимкнено та коли він починає працювати на холостому ході під час запуску).

## Тільки для країн Європи

## Декларація про відповідність стандартам ЄС

Компанія Makita наголошує на тому, що

обладнання:

Позначення обладнання:

Перфоратор

№ моделі/тип: HR2631F, HR2631FT, HR2641,

HR2320T, HR2630, HR2630T

Відповідає таким Європейським Директивам:  
2006/42/EC

Обладнання виготовлене відповідно до таких стандартів або стандартизованих документів:

EN60745

Технічну інформацію відповідно до 2006/42/EC можна отримати:

Makita, Jan-Baptist Vinkstraat 2, 3070, Бельгія

## Застереження стосовно техніки безпеки при роботі з електроприладами

**▲УВАГА!** Прочитайте усі застереження стосовно техніки безпеки та всі інструкції. Недотримання даних застережень та інструкцій може призвести до ураження струмом та виникнення пожежі та/або серйозних травм.

**Збережіть усі інструкції з техніки безпеки та експлуатації на майбутнє.**

## ПОПЕРЕДЖЕННЯ ПРО НЕБЕЗПЕКУ ПІД ЧАС РОБОТИ З ПЕРФОРАТОРОМ

1. **Слід одягати захисні навушники.**  
Незахищеність від шуму може спричинити до втрати слуху.
2. **Використовуйте допоміжну(и) ручку(и), якщо вона(и) поставляються разом з інструментом.**  
Втрата контролю може призвести до травм.
3. **Тримайте електроприлад за ізольовані поверхні держака під час виконання дії, за якої він може зачепити сховану електропроводку або власний шнур.** Торкання ріжучим приладом струмоведучої проводки може призвести до передання напруги до оголених металевих частин інструмента та ураженню оператора електричним струмом.
4. **Слід одягати каску (захисний шолом), захисні окуляри та/або щиток-маску.** Звичайні окуляри або темні окуляри для захисту від сонця НЕ Є захисними окулярами. Настійно рекомендуємо одягати пілозахисну маску та щільно набиті рукавиці.
5. **Перед початком роботи обов'язково перевірте, щоб полотно було надійно закріплене в робочому положенні.**
6. **При нормальній роботі інструмент вібрує.** Гвинти можуть швидко розбаватися, що призведе до поломки або поранення. Перед початком роботи слід перевірити міцність затягування гвинтів.
7. **Під час холодної погоди або якщо інструмент не використовувався довгий час, його слід розігріти, давши попрацювати якийсь час на холостому ході.** Це розм'якшить мастило. Якщо не провести розігрів, забивання буде важким.
8. **Завжди майте тверду опору.** При виконанні висотних робіт переконайтеся, що під Вами нікого немає.
9. **Міцно тримай інструмент обома руками.**

10. Тримай руки на відстані від рухомих частин.
11. Не залишайте інструмент працюючим. Працюйте з інструментом тільки тоді, коли тримаєте його в руках.
12. Під час роботи ніколи не спрямовуй інструмент на людину, що знаходиться поруч з місцем роботи. Полотно може вискочити та завдати серйозної травми.
13. Не слід торкатися полотна або частин, що примикають до нього, одразу після різання, вони можуть бути дуже гарячими та призвести до опіку шкіри.
14. Деякі матеріали мають у своєму складі токсичні хімічні речовини. Будьте уважні, щоб запобігти вдихання пилу та контактів зі шкірою. Дотримуйтеся правил техніки безпеки виробника матеріалу.

## ЗБЕРІГАЙТЕ ЦІ ВКАЗІВКИ.

**▲ ПОПЕРЕДЖЕННЯ:** НИКОЛИ НЕ СЛІД втрачати пильності та розслаблюватися під час користування виробом (що трапляється при частому використанні); слід завжди строго дотримуватися правил безпеки під час використання цього пристрою. **НЕНАЛЕЖНЕ ВИКОРИСТАННЯ** або недотримання правил безпеки, викладених в цьому документі, може призвести до серйозних травм.

## ІНСТРУКЦІЯ З ВИКОРИСТАННЯ

### ▲ ОБЕРЕЖНО:

- Перед регулюванням та перевіркою справності інструменту, переконайтеся в тому, що він вимкнений та відключений від мережі.

### Дія вимикача

### ▲ ОБЕРЕЖНО:

- Перед вмиканням інструменту у мережу обов'язково перевірте, чи кнопка вимикача нормально спрацьовує і після відпускання повертається в положення "вимкнено".

► **Рис.1:** 1. Курковий вимикач 2. Фіксатор

► **Рис.2:** 1. Курковий вимикач 2. Фіксатор

Для того щоб запустити інструмент, слід просто натиснути на курок вимикача. Швидкість обертання інструмента збільшується шляхом збільшення тиску на курок вимикача. Для зупинення роботи курок слід відпустити. Для постійної роботи слід натиснути на курок вимикача, пересунути кнопку блокування, а потім відпустити курок. Для того щоб зупинити інструмент із заблокованого положення, слід повністю натиснути на курок вимикача, а потім відпустити його.

## Увімкнення підсвітки

Для моделі HR2631F, HR2631FT

### ▲ ОБЕРЕЖНО:

- Не дивіться на світло або безпосередньо на джерело світла.

► **Рис.3:** 1. Ліхтар

Для того, щоб увімкнути підсвічування, натисніть курок вмикача. Для вимкнення підсвічування відпустіть курок.

### ПРИМІТКА:

- Для видалення бруду з лінзи підсвітки користуйтеся сухою тканиною. Будьте обережні, щоб не подряпати лінзу підсвітки, тому що можна погіршити освітлювання.
- Неможна використовувати розчинник або бензин для чистлення лампи підсвічування. Такі речовини можуть її пошкодити.

## Дія вимикача зворотного ходу

### ▲ ОБЕРЕЖНО:

- Перед початком роботи слід завжди перевіряти напрямок обертання.
- Перемикач зворотного ходу можна використовувати тільки після повної зупинки інструмента. Зміна напрямку обертання до повної зупинки інструмента може його пошкодити.

Для моделі HR2631F, HR2631FT, HR2320T, HR2630, HR2630T

### ▲ ОБЕРЕЖНО:

- Якщо на курок неможна натиснути, слід перевірити, щоб важіль перемикача зворотного ходу був пересунутий в положення ◁ (сторона "А") або ▷ (сторона "В").

► **Рис.4:** 1. Важіль перемикача реверсу

Інструмент обладнаний перемикачем зворотного ходу для зміни напрямку обертання. Для обертання по годинниковій стрілці перемикач зворотного ходу слід пересунути в положення ◁ (сторона "А"), проти годинникової стрілки - в положення ▷ (сторона "В").

Для моделі HR2641

► **Рис.5:** 1. Важіль перемикача реверсу

### ПРИМІТКА:

- Коли інструмент експлуатується із обертанням проти годинникової стрілки, курок вимикача слід натискати тільки наполовину, а інструмент обертається із половинною швидкістю. Для обертання проти годинникової стрілки неможна натискати кнопку блокування.

Цей інструмент обладнаний перемикачем зворотного ходу для зміни напрямку обертання. Для обертання за годинниковою стрілкою перемикач зворотного ходу слід пересунути в положення ◁ (сторона "А"), а проти годинникової стрілки – в положення ▷ (сторона "В").



## Заміна швидкороз'ємного патрона для SDS-plus



Для моделі HR2631FT, HR2320T, HR2630T Швидкороз'ємний патрон для SDS-plus можна легко замінити на швидкороз'ємний патрон для свердел.

## Зняття швидкороз'ємного патрона для SDS-plus

### **⚠ОБЕРЕЖНО:**



- Перед зняттям швидкороз'ємного патрона для SDS-plus слід завжди знімати свердло.


► **Рис.6:** 1. Швидкороз'ємний патрон для SDS-plus 2. Лінія змінної кришки 3. Змінна кришка

Візьміться за змінну кришку швидкороз'ємного патрона для SDS-plus та поверніть її у напрямку, що вказаний стрілкою, щоб лінія кришки пересунулась з символу  до символу . Із силою потягніть у напрямку, що вказаний стрілкою.

## Встановлення швидкороз'ємного патрона для свердел

► **Рис.7:** 1. Шпіндель 2. Швидкороз'ємний патрон 3. Лінія змінної кришки 4. Змінна кришка

Перевірте, щоб на лінії швидкороз'ємного патрона для свердел був вказаний символ . Візьміться за змінну кришку швидкороз'ємного патрона для свердел та пересуньте лінію до символу . Встановіть швидкороз'ємний патрон для свердел на шпіндель інструмента.

Візьміться за змінну кришку швидкороз'ємного патрона для свердел та повертайте змінну кришку до символу , доки не почуєте виразний щиклик.


## Вибір режиму роботи

### **⚠ОБЕРЕЖНО:**

- Неможна повертати ручку зміни режиму роботи, коли інструмент працює. Інструмент може пошкодитись.
- Для запобігання швидкому зносові механізму зміни режиму, слід перевіряти, щоб ручка зміни режиму завжди був переключений в один з трьох режимів роботи.

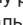
## Обертання із відбиванням

► **Рис.8:** 1. Обертання із відбиванням 2. Ручка зміни режиму роботи

Для свердлення бетону, кладки та ін., слід повернути ручку зміни режиму таким чином, щоб покажчик вказував на символ . Використовувати свердло із наконечником з карбіду вольфраму.


## Тільки обертання

► **Рис.9:** 1. Тільки обертання

Для свердління дерева, металу або пластику слід переключити ручку зміни режиму роботи на символ . Використовуйте спіральне свердло або свердло для деревини.

## Тільки биття

► **Рис.10:** 1. Тільки відбивання

Для операцій з додання, шкребіння або демонтажу, слід повернути ручку зміни режиму таким чином, щоб покажчик вказував на символ . Використовуйте пірамідальне долото, слюсарне зубило, зубило для шкребіння та ін.

## Обмежувач моменту

### **⚠ОБЕРЕЖНО:**

- Як тільки спрацював обмежувач моменту, інструмент слід негайно вимкнути. Це допоможе запобігти передчасному зносу інструмента.
- Свердла, такі як пила для виконання отворів, які легко заземляються або застряють в отворі, не підходять для використання з цим інструментом. Це призведе до занадто частого спрацьовування обмежувача моменту.

Обмежувач моменту спрацює, коли досягнуто момент певної величини. Мотор відключить зчеплення із вихідним валом. Коли це трапляється свердло перестає обертатись.

## Скоба

Для моделі HR2641

### **⚠ОБЕРЕЖНО:**

- Ніколи не підвишуйте інструмент високо та не залишайте його на потенційно нестійкій поверхні.

► **Рис.11:** 1. Скоба

Скоба є зручною для тимчасового підвишування інструмента. Щоб користатися скобою, просто підніміть її, щоб вона стала у відкрите положення. Коли скоба не використовується, слід завжди опустити її в закрите положення.

## КОМПЛЕКТУВАННЯ

### **⚠ОБЕРЕЖНО:**

- Перед тим, як щось встановлювати на інструмент, переконайтеся в тому, що він вимкнений та відключений від мережі.

## Бокова ручка (допоміжна ручка)

► **Рис.12:** 1. Виступи 2. Паз

### **⚠ОБЕРЕЖНО:**

- Для забезпечення безпечної роботи слід завжди триматись за бокову ручку.

Установіть бокову ручку таким чином, щоб виступи на ручці увійшли в паз на корпусі інструмента. Потім затягніть ручку, повернувши її за годинниковою стрілкою у необхідне положення. Її можна обертати на 360°, щоб закріпити у будь-якому положенні.

## Масило для свердла

Заздалегідь змащуйте потилицю свердла невеликою кількістю масла для свердла (біля 0,5 - 1 г).

Таке змащення патрона забезпечує гладку роботу та довший термін служби.

## Встановлення та зняття наконечників

► **Рис.13:** 1. Потилиця свердла 2. Масило для свердла

Перед встановленням долота слід вичистити потилицю долота та змастити її.

► **Рис.14:** 1. Свердло

Вставте долото в інструмент. Проверніть долото та просуньте його, доки воно не стане на місце. Після встановлення слід перевірити, щоб долото було надійно вставлено, спробувавши витягнути його.

► **Рис.15:** 1. Свердло 2. Кришка патрона

Для зняття долота слід до упору потягнути вниз кришку патрона та витягти свердло.

## Кут долота (під час довбання, шкребіння або демонтажу)

► **Рис.16:** 1. Ручка зміни режиму роботи

Свердло можна закріпити під необхідним кутом. Для зміни кута свердла слід повернути ручку зміни режиму роботи в положення символу **O**. Поверніть свердло на необхідний кут.

► **Рис.17**

Поверніть ручку зміни режиму на мітку **U**. Потім перевірте, щоб долото або зубило було надійно встановлене, злегка повернувши його.

## Обмежувач глибини

Глибиномір є зручним для свердління отворів однакової глибини.

► **Рис.18:** 1. Основа ручки 2. Фіксатор 3. Обмежувач глибини

Натисніть на кнопку блокування в основі ручки у напрямку стрілки, зображеної на малюнку, та, тримаючи кнопку блокування натиснутою, вставте глибиномір у шестикутний отвір в основі ручки.

► **Рис.19:** 1. Зубчатий бік шестикутного отвору в основі ручки 2. Зубчатий бік глибиноміра

У цей час треба вставити глибиномір так, щоб його зубчатий бік потрапив на зубчатий бік шестикутного отвору в основі ручки, як показано на малюнку.

► **Рис.20:** 1. Фіксатор

Налаштуйте глибиномір на певну глибину, пересуваючи його назад та вперед, тримаючи кнопку блокування натиснутою. Після регулювання відпустіть кнопку блокування, щоб зафіксувати глибиномір.

► **Рис.21:** 1. Зубчатий бік шестикутного отвору в основі ручки 2. Зубчатий бік глибиноміра

### ПРИМІТКА:

- Якщо глибиномір вставлений так, що його зубчатий бік не потрапив на зубчатий бік шестикутного отвору в основі ручки, як показано на малюнку, глибиномір неможливо зафіксувати.

## Пилозахисний ковпачок (додаткове приладдя)

► **Рис.22:** 1. Пилозахисний ковпачок

Використовуйте пилозахисний ковпачок для запобігання падінню пилу на інструмент та на себе під час свердління. Встановіть пилозахисний ковпачок на свердло, як показано на малюнку. Розміри свердел, на які можна встановлювати пилозахисний ковпачок такі.

	Діаметр свердла
Пилозахисний ковпачок 5	6 мм - 14,5 мм
Пилозахисний ковпачок 9	12 мм - 16 мм

Є інший тип пилозахисного ковпачка (додаткове приладдя), який запобігає потраплянню пилу на інструмент та на Вас під час свердління отворів вище Вашої голови.

## Установлення або знімання пилозахисного ковпачка (додаткове приладдя)

► **Рис.23:** 1. Символ  $\Delta$  2. Пази 3. Пилозахисний ковпачок

Перед установленням пилозахисного ковпачка витягніть свердло із інструмента, якщо воно там є. Установіть пилозахисний ковпачок (додаткове приладдя) на інструмент таким чином, щоб символ  $\Delta$  на пилозахисному ковпачку був узгоджений із пазами на інструменті.

► **Рис.24:** 1. Свердло 2. Кришка патрона

Щоб зняти пилозахисний ковпачок, відтягніть кришку патрона у напрямку, вказаному на малюнку, та, тримаючи кришку патрона відтягнутою, витягніть свердло з інструмента.

► **Рис.25:** 1. Насадка в основі пилозахисного ковпачка

Потім візьміться за насадку в основі пилозахисного ковпачка та витягніть його.

► **Рис.26:** 1. Гофрована трубка 2. Насадка

► **Рис.27:** 1. Внутрішній периметр 2. Плаский бік 3. Насадка 4. Ковпачок 5. Паз

► **Рис.28:** 1. Ковпачок 2. Насадка

### ПРИМІТКА:

- Під час установлення або знімання пилозахисного ковпачка з нього може знятися наконечник. Якщо так сталося, виконайте процедуру, зазначену нижче. Зніміть гофровану трубку з насадки та встановіть наконечник з боку, що показаний на малюнку, таким чином, щоб плаский бік був спрямований угору та паз у наконечнику увійшов у внутрішній периметр насадки. Потім установіть зняту гофровану трубку.

► **Рис.29**

### ПРИМІТКА:

- Якщо ви підключите до свого перфоратора пилюсос, робота з інструментом стане чистішою. Перед підключенням слід зняти наконечник з пилозахисного ковпачка.

## ЗАСТОСУВАННЯ

### ⚠ ОБЕРЕЖНО:


- Слід завжди використовувати бокову ручку (додаткова ручка) та міцно тримати інструмент за бокову ручку та ручку вмикача під час роботи.

## Робота в режимі з ударом

### ⚠ ОБЕРЕЖНО:

- Під час пробивання отвору до інструмента/наконечника прикладається величезне зусилля, коли отвір забивається обломками та частками, або коли свердло вдаряється об арматуру в бетоні. Слід завжди використовувати бокову ручку (додаткова ручка) та міцно тримати інструмент за бокову ручку та ручку вмикача під час роботи. У протилежному випадку це може призвести до втрати контролю над інструментом та створити потенційну загрозу серйозного поранення.

#### ► Рис.30

Встановіть режим роботи, перемкнувши ручку на мітку .

Поставте свердло в місце, де необхідно зробити отвір, а потім натисніть на курок вмикача. Не треба прикладати силу до інструмента. Невеликий тиск забезпечує найліпші результати. Тримайте інструмент в належному положенні, та не давайте йому вискочити з отвору.

Коли отвір засмічується обломками або частками, не треба прикладати більший тиск. Замість цього слід прокрутити інструмент на холостому ходу, а потім частково витягнути інструмент з отвору. Якщо це зробити декілька разів, отвір очиститься, і нормальне свердління можна поновити.

**ПРИМІТКА:** Якщо інструмент працює без навантаження, під час роботи може спостерігатись ексцентричність в обертанні свердла. Під час роботи інструмент автоматично центрується. На точність свердління це не впливає.


## Повітродувка (додаткове приладдя)

#### ► Рис.31: 1. Повітродувка

Після того, як отвір був просвердлений, повітродувкою можна вичистити пил з отвору.

## Довбання/Шкребіння/Демонтаж


#### ► Рис.32

Встановіть режим роботи, перемкнувши ручку на мітку . Інструмент слід міцно тримати обома руками. Увімкніть інструмент та злегка натисніть на інструмент, щоб він безконтрольно не хитався. Сильне натискання на інструмент не поліпшує ефективності.

## Свердління деревини або металу

### ⚠ ОБЕРЕЖНО:

- Коли на інструменті встановлений вузол свердильного патрона, неможна користуватись режимом "свердління із відбиванням". Вузол патрона може пошкодитись. Патрон також знімається, якщо ввімкнути зворотний хід.
- Надмірний тиск на інструмент не пришвидшує свердління. Насправді надмірний тиск може лише пошкодити свердло, зменшити продуктивність інструменту та вкоротити термін його експлуатації.
- У момент завершення наскрізного отвору на інструмент, або свердло надзвичайно велике скручувальне зусилля. Міцно тримайте інструмент і будьте обережні, коли свердло починає виходити із протилежного боку заготовки.
- Свердло, яке заклинило, можна легко видалити, встановивши перемикач реверсу на зворотній напрямок обертання, щоб отримати задній хід. Однак, задній хід інструменту може бути надто різким, якщо Ви не будете його міцно тримати.
- Невелику заготовку слід затискувати в лещата або подібний пристрій.

Встановіть режим роботи, перемкнувши ручку на мітку .

Діаметр свердління може бути до 13 мм в металі та до 32 мм в деревині.

#### Для моделі HR2631F, HR2641, HR2630

► Рис.33: 1. Вузол патрона для свердел (додаткове приладдя)

Використовуйте вузол патрона для свердел (додаткове приладдя). Під час його встановлення див. розділ "Встановлення та зняття наконечників" на попередній сторінці.

► Рис.34: 1. Ключ патрона

Для того щоб установити свердло, уставте його в патрон до упору. Затягніть патрон вручну. Уставте ключ патрона в кожний із трьох отворів та затягніть його за годинниковою стрілкою. Слід перевірити, щоб усі три отвори на патроні були затягнуті рівномірно.

Щоб зняти свердло, слід повернути ключ патрона проти годинникової стрілки лише в одному з отворів, а потім вручну послабити патрон.

#### Для моделі HR2631FT, HR2320T, HR2630T

► Рис.35: 1. Швидкороз'ємний патрон для SDS-plus 2. Лінія змінної кришки 3. Змінна кришка

► Рис.36: 1. Шпindel 2. Швидкорознімний патрон 3. Лінія змінної кришки 4. Змінна кришка

У якості стандартного обладнання слід використовувати швидкороз'ємний патрон. Під час встановлення - див. розділ "заміна швидкороз'ємного патрона для SDS-plus", наведений на попередній сторінці.


► Рис.37: 1. Швидкорознімний патрон 2. Патрон 3. Кільце

Утримуйте кільце та поверніть муфту проти годинникової стрілки для того, щоб відкрити кулачки патрона. Вставте свердло або викрутку до упору. Міцно утримуйте кільце та поверніть муфту по годинниковій стрілці для того, щоб затягнути кулачки патрона. Щоб зняти свердло, утримуючи кільце, поверніть муфту проти годинникової стрілки.

## Свердлення алмазним свердлом

### ⚠ОБЕРЕЖНО:

- Якщо свердління виконується алмазним свердлом в режимі "обертання із відбиванням", свердло може бути пошкоджено.

Під час свердління алмазним свердлом слід завжди пересувати важіль перемикання в положення , щоб задіяти режим "тільки обертання".

## Робота з присадним пилозахисним ковпачком (додаткове приладдя)

### ► Рис.38: 1. Пилозахисний ковпачок

Використовуйте інструмент з пилозахисним ковпачком для свердління отворів на стелі.

### ПРИМІТКА:

- Пилозахисний ковпачок (додаткове приладдя) призначений тільки для свердління таких поверхонь, як бетон та пінобетон. Не використовуйте інструмент із пилозахисним ковпачком для свердління металу або подібних матеріалів. Використання пилозахисного ковпачка під час свердління металу може пошкодити пилозахисний ковпачок внаслідок утворення тепла від маленького металевого пилу або подібних матеріалів.
- Спорожніть пилозахисний ковпачок перед тим, як витягнути свердло.
- У разі використання пилозахисного ковпачка ввентилься в тому, що наконечник міцно вставлений.

## ТЕХНІЧНЕ ОБСЛУГОВУВАННЯ

### ⚠ОБЕРЕЖНО:

- Перед тим, як оглянути інструмент, або виконати ремонт, переконайтеся, що він вимкнений та відключений від мережі.
- Ніколи не використовуйте газолін, бензин, розріджувач, спирт та подібні речовини. Їх використання може призвести до зміни кольору, деформації та появи тріщин.

Для того, щоб підтримувати БЕЗПЕКУ та НАДІЙНІСТЬ, ремонт, огляд та заміну вугільних щіток, будь-яке інше технічне обслуговування або регулювання мають виконувати уповноважені центри обслуговування "Макіта", де використовуються лише стандартні запчастини "Макіта".

## ДОДАТКОВЕ ПРИЛАДДЯ

### ⚠ОБЕРЕЖНО:

- Це оснащення або приладдя рекомендовано для використання з інструментами "Макіта", що описані в інструкції з експлуатації. Використання якогось іншого оснащення або приладдя може спричинити травмування. Оснащення або приладдя слід використовувати лише за призначенням.

У разі необхідності, отримати допомогу в більш детальному ознайомленні з оснащенням звертайтесь до місцевого Сервісного центру "Макіта".

- Свердла SDS-Plus із твердосплавним наконечником
- Колонкове свердло
- Піраміdaleльне долото
- Свердло із алмазним сердечником
- Слюсарне зубило
- Зубило для довбання
- Канавкове долото
- Вузол патрона свердла
- Патрон S13
- Адаптер патрона
- Ключ для патрона S13
- Мазило для свердла
- Бокова ручка
- Обмежувач глибини
- Повітродувка
- Пилозахисний ковпачок
- Захисні окуляри
- Пластмасова валіза для транспортування
- Швидкозатискний патрон

### ПРИМІТКА:

- Деякі елементи списку можуть входити до комплекту інструмента як стандартне приладдя. Вони можуть відрізнитися залежно від країни.

## SPECYFIKACJE

Model		HR2631F	HR2631FT	HR2641	HR2320T	HR2630	HR2630T
Wydajność	Beton	26 mm			23 mm	26 mm	
	Końcówka rdzenia	68 mm					
	Diamentowa końcówka rdzenia (typu suchego)	80 mm			70 mm	80 mm	
	Stal	13 mm					
	Drewno	32 mm					
Prędkość bez obciążenia		0 - 1 200 min <sup>-1</sup>		0 - 1 100 min <sup>-1</sup>	0 - 1 200 min <sup>-1</sup>		
Liczba udarów na minutę		0 - 4 600 min <sup>-1</sup>		0 - 4 500 min <sup>-1</sup>	0 - 4 600 min <sup>-1</sup>		
Długość całkowita		361 mm	385 mm	422 mm	380 mm	361 mm	385 mm
Ciężar netto		2,9 kg	3,1 kg		2,9 kg	2,8 kg	3,0 kg
Klasa bezpieczeństwa		II/II					

- W związku ze stale prowadzonym przez naszą firmę programem badawczo-rozwojowym, niniejsze specyfikacje mogą ulec zmianom bez wcześniejszego powiadomienia.
- Specyfikacje mogą różnić się w zależności od kraju.
- Waga obliczona zgodnie z procedurą EPTA 01/2003

### Przeznaczenie

Narzędzie przeznaczone jest do wiercenia udarowego w cegle, betonie i kamieniu.

Nadaje się również do wiercenia w drewnie, metalu, ceramice i tworzywach sztucznych bez użycia udaru.

### Zasilanie

Narzędzie wolno podłączać tylko do źródeł zasilania o napięciu zgodnym z napięciem podanym na tabliczce znamionowej. Można je zasilać wyłącznie jednofazowym prądem przemiennym. Jest ono podwójnie izolowane, dlatego też można je zasilać z gniazda bez uziemienia.

### Poziom hałasu i drgań

Typowy równoważny poziom dźwięku A określony w oparciu o EN60745:

#### Model HR2631F, HR2631FT, HR2641

Poziom ciśnienia akustycznego ( $L_{pA}$ ): 90 dB (A)

Poziom mocy akustycznej ( $L_{WA}$ ): 101 dB (A)

Niepewność (K): 3 dB (A)

#### Model HR2320T, HR2630, HR2630T

Poziom ciśnienia akustycznego ( $L_{pA}$ ): 91 dB (A)

Poziom mocy akustycznej ( $L_{WA}$ ): 102 dB (A)

Niepewność (K): 3 dB (A)

**Należy stosować ochroniacze na uszy**

### Drgania

Całkowita wartość poziomu drgań (suma wektorów w 3 osiach) określona zgodnie z normą EN60745:

#### Model HR2631F

Tryb pracy: wiercenie udarowe w betonie

Emisja drgań ( $a_{h,HD}$ ): 12,0 m/s<sup>2</sup>

Niepewność (K): 1,5 m/s<sup>2</sup>

Tryb pracy: funkcja dłutowania z uchwytem bocznym

Emisja drgań ( $a_{h,CHeg}$ ): 9,0 m/s<sup>2</sup>

Niepewność (K): 1,5 m/s<sup>2</sup>

Tryb pracy: wiercenie w metalu

Emisja drgań ( $a_{h,D}$ ): 2,5 m/s<sup>2</sup> lub mniej

Niepewność (K): 1,5 m/s<sup>2</sup>

#### Model HR2631FT

Tryb pracy: wiercenie udarowe w betonie

Emisja drgań ( $a_{h,HD}$ ): 11,5 m/s<sup>2</sup>

Niepewność (K): 1,5 m/s<sup>2</sup>

Tryb pracy: funkcja dłutowania z uchwytem bocznym

Emisja drgań ( $a_{h,CHeg}$ ): 8,5 m/s<sup>2</sup>

Niepewność (K): 1,5 m/s<sup>2</sup>

Tryb pracy: wiercenie w metalu

Emisja drgań ( $a_{h,D}$ ): 2,5 m/s<sup>2</sup> lub mniej

Niepewność (K): 1,5 m/s<sup>2</sup>

#### Model HR2641

Tryb pracy: wiercenie udarowe w betonie

Emisja drgań ( $a_{h,HD}$ ): 11,5 m/s<sup>2</sup>

Niepewność (K): 1,5 m/s<sup>2</sup>

Tryb pracy: funkcja dłutowania z uchwytem bocznym

Emisja drgań ( $a_{h,CHeg}$ ): 9,0 m/s<sup>2</sup>

Niepewność (K): 1,5 m/s<sup>2</sup>

Tryb pracy: wiercenie w metalu

Emisja drgań ( $a_{h,D}$ ): 2,5 m/s<sup>2</sup>

Niepewność (K): 1,5 m/s<sup>2</sup>

#### Model HR2320T

Tryb pracy: wiercenie udarowe w betonie

Emisja drgań ( $a_{h,HD}$ ): 15,5 m/s<sup>2</sup>

Niepewność (K): 1,5 m/s<sup>2</sup>

Tryb pracy: funkcja dłutowania z uchwytem bocznym

Emisja drgań ( $a_{h,CHeg}$ ): 10,5 m/s<sup>2</sup>

Niepewność (K): 1,5 m/s<sup>2</sup>

Tryb pracy: wiercenie w metalu

Emisja drgań ( $a_{h,D}$ ): 2,5 m/s<sup>2</sup> lub mniej

Niepewność (K): 1,5 m/s<sup>2</sup>



Yasushi Fukaya  
Dyrektor

Makita, Jan-Baptist Vinkstraat 2, 3070, Belgia

### Model HR2630

Tryb pracy: wiercenie udarowe w betonie

Emisja drgań ( $a_{n,HD}$ ): 15,5 m/s<sup>2</sup>

Niepewność (K): 1,5 m/s<sup>2</sup>

Tryb pracy: funkcja dłutowania z uchwytem bocznym

Emisja drgań ( $a_{n,CHed}$ ): 9,5 m/s<sup>2</sup>

Niepewność (K): 1,5 m/s<sup>2</sup>

Tryb pracy: wiercenie w metalu

Emisja drgań ( $a_{n,D}$ ): 2,5 m/s<sup>2</sup>

Niepewność (K): 1,5 m/s<sup>2</sup>

### Model HR2630T

Tryb pracy: wiercenie udarowe w betonie

Emisja drgań ( $a_{n,HD}$ ): 15,0 m/s<sup>2</sup>

Niepewność (K): 1,5 m/s<sup>2</sup>

Tryb pracy: funkcja dłutowania z uchwytem bocznym

Emisja drgań ( $a_{n,CHed}$ ): 9,5 m/s<sup>2</sup>

Niepewność (K): 1,5 m/s<sup>2</sup>

Tryb pracy: wiercenie w metalu

Emisja drgań ( $a_{n,D}$ ): 2,5 m/s<sup>2</sup> lub mniej

Niepewność (K): 1,5 m/s<sup>2</sup>

**WSKAZÓWKA:** Deklarowana wartość wytwarzanych drgań została zmierzona zgodnie ze standardową metodą testową i można ją wykorzystać do porównywania narzędzi.

**WSKAZÓWKA:** Deklarowaną wartość wytwarzanych drgań można także wykorzystać we wstępnej ocenie narażenia.

**⚠️ OSTRZEŻENIE:** Drgania wytwarzane podczas rzeczywistego użytkowania elektronarzędzia mogą się różnić od wartości deklarowanej, w zależności od sposobu jego użytkowania.

**⚠️ OSTRZEŻENIE:** W oparciu o szacowane narażenie w rzeczywistych warunkach użytkowania należy określić środki bezpieczeństwa w celu ochrony operatora (uwzględniając wszystkie elementy cyklu działania, tj. czas, kiedy narzędzie jest wyłączone i kiedy pracuje na biegu jałowym, a także czas, kiedy jest włączone).

## Dotyczy tylko krajów europejskich

### Deklaracja zgodności UE

Firma Makita oświadcza, że poniższe urządzenie/-a:

Oznaczenie maszyny:

Młotowiertarka z Opcją Kucia

Nr modelu / Typ: HR2631F, HR2631FT, HR2641,

HR2320T, HR2630, HR2630T

Jest zgodne z wymogami określonymi w następujących dyrektywach europejskich:

2006/42/EC

Jest/są produkowane zgodnie z następującymi normami lub dokumentami normalizacyjnymi:

EN60745

Dokumentacja techniczna zgodna w wymaganiach dyrektywy 2006/42/WE jest dostępna w:

Makita, Jan-Baptist Vinkstraat 2, 3070, Belgia

## Ogólne zasady bezpieczeństwa obsługi elektronarzędzi

**⚠️ OSTRZEŻENIE** Przeczytaj wszystkie ostrzeżenia i instrukcje. Nie przestrzeganie ich może prowadzić do porażeń prądem, pożarów i/lub poważnych obrażeń ciała.

**Wszystkie ostrzeżenia i instrukcje należy zachować do późniejszego wykorzystania.**

## OSTRZEŻENIE DOTYCZĄCE BEZPIECZEŃSTWA WIERTARKI UDAROWEJ

- Noś ochraniacze na uszy.** Hałas może spowodować utratę słuchu.
- Używać narzędzia z dostarczonymi uchwytami pomocniczymi.** Utrata kontroli może spowodować obrażenia.
- Gdy narzędzie tnące podczas pracy może zetknąć się z ukrytymi przewodami elektrycznymi bądź własnym przewodem zasilającym, należy trzymać urządzenie za izolowane uchwyty.** Przecięcie przewodu elektrycznego pod napięciem powoduje, że również odsłonięte elementy metalowe narzędzia znajdują się pod napięciem, grożąc porażeniem operatora prądem elektrycznym.
- Noś kask, okulary ochronne oraz/lub osłonę twarzy.** Zwykłe okulary bądź okulary przeciwświatłocenne NIE są okularami ochronnymi. Stanowczo zaleca się również zakładanie maski przeciwpyłowej oraz grubych rękawic.
- Przed uruchomieniem narzędzia należy się upewnić, czy końcówka jest dobrze zamocowana w uchwycie.**
- W normalnych warunkach pracy narzędzie wytwarza drgania.** W związku z tym śruby mogą łatwo ulec poluzowaniu, doprowadzając do awarii lub wypadku. Przed uruchomieniem narzędzia należy skontrolować, czy śruby są dobrze dokręcone.
- W przypadku niskiej temperatury lub gdy narzędzie nie było używane przez dłuższy czas, należy najpierw rozgrzać narzędzie uruchamiając je na chwilę bez obciążenia.** W ten sposób gęstość smaru ulegnie zmniejszeniu. Bez właściwego rozgrzania narzędzia operacja kucia nie przebiega tak sprawnie.
- Zapewnić stałe podłoże.** Upewnić się, czy nikt nie znajduje się poniżej miejsca pracy na wysokości.
- Narzędzie należy trzymać oburącz.**
- Nie zbliżać rąk do części ruchomych.**
- Nie pozostawiać załączonego elektronarzędzia.** Można uruchomić elektronarzędzie tylko wtedy, gdy jest trzymane w rękach.



12. Podczas pracy nie wolno kierować narzędzia w stronę osób znajdujących się w pobliżu. Końcówka może wylecieć z uchwytu i poważnie kogoś zranić.
13. Po zakończeniu pracy nie wolno dotykać końcówek ani znajdujących się w jej sąsiedztwie elementów. Mogą one być bardzo gorące, grożąc poparzeniem skóry.
14. Niektóre materiały zawierają substancje chemiczne, które mogą być toksyczne. Unikać wdychania i kontaktu ze skórą. Przestrzegać przepisów bezpieczeństwa podanych przez dostawcę materiałów.

## ZACHOWAĆ INSTRUKCJE.

**⚠️ OSTRZEŻENIE:** NIE WOLNO pozwolić, aby wygoda lub rutyna (nabyta w wyniku wielokrotnego używania narzędzia) zastąpiły ściśle przestrzeganie zasad bezpieczeństwa obsługi. **NIEWŁAŚCIWE UŻYTKOWANIE** narzędzia lub niestosowanie się do zasad bezpieczeństwa podanych w niniejszej instrukcji obsługi może prowadzić do poważnych obrażeń ciała.

## OPIS DZIAŁANIA

### ⚠️ PRZESTROGA:

- Przed rozpoczęciem regulacji i sprawdzania działania elektronarzędzia, należy upewnić się, czy jest ono wyłączone i nie podłączone do sieci.

## Włączanie

### ⚠️ PRZESTROGA:

- Przed podłączeniem elektronarzędzia do sieci zawsze sprawdzać czy spust włącznika działa poprawnie i wraca do pozycji "OFF" po zwolnieniu.

► **Rys.1:** 1. Spust przełącznika 2. Przycisk blokujący

► **Rys.2:** 1. Spust przełącznika 2. Przycisk blokujący

Aby uruchomić narzędzie, należy pociągnąć za język spustowy przełącznika. Prędkość narzędzia rośnie wraz ze zwiększaniem nacisku na język spustowy. Zwolnić język spustowy wyłącznika w celu zatrzymania urządzenia. Aby narzędzie pracowało w sposób ciągły, należy pociągnąć za język spustowy przełącznika, a następnie wcisnąć przycisk blokady. Aby zatrzymać narzędzie z włączoną blokadą, wystarczy pociągnąć do oporu język spustowy przełącznika, a następnie zwolnić go.

## Zaświecenie się lampek

Dla modelu HR2631F, HR2631FT

### ⚠️ PRZESTROGA:

- Nie patrzeć na światło ani bezpośrednio na źródło światła.

► **Rys.3:** 1. Lampka

Aby włączyć lampkę, pociągnij za język spustowy przełącznika. Aby ją wyłączyć zwolnij język spustowy przełącznika.

### WSKAZÓWKA:

- Użyj suchej tkaniny aby zetrzeć zanieczyszczenia z osłony lampki. Uważać, aby nie zarysować osłony lampki, gdyż może to zmniejszyć natężenie oświetlenia.
- Do czyszczenia lampki nie wolno używać rozcieńczalnika ani benzyny. Tego typu rozpuszczalniki mogą ją uszkodzić.

## Włączanie obrotów wstecznych

### ⚠️ PRZESTROGA:

- Przed uruchomieniem narzędzia należy zawsze sprawdzić ustawienie kierunku obrotów.
- Kierunek obrotów można zmieniać tylko wówczas, gdy urządzenie całkowicie się zatrzyma. Zmiana kierunku obrotów przed zatrzymaniem się narzędzia grozi jego uszkodzeniem.

Dla modelu HR2631F, HR2631FT, HR2320T, HR2630, HR2630T

### ⚠️ PRZESTROGA:

- Jeśli nie można zwolnić języka spustowego przełącznika, należy sprawdzić, czy przełącznik kierunku obrotów jest precyzyjnie ustawiony na swoim miejscu ◀ (w stronę A) lub ▶ (w stronę B).

► **Rys.4:** 1. Dźwignia przełącznika obrotów wstecznych

Omawiane narzędzie jest wyposażone w przełącznik umożliwiający zmianę kierunku obrotów. Przesunięcie dźwigni przełącznika zmiany kierunku obrotów w położenie ◀ (w stronę A) powoduje zmianę kierunku obrotów na zgodne z ruchem wskazówek zegara, a w położenie ▶ (w stronę B) - na przeciwnie.

Dla modelu HR2641

► **Rys.5:** 1. Dźwignia przełącznika obrotów wstecznych

### WSKAZÓWKA:

- Podczas obrotów narzędzia w kierunku odwrotnym do ruchu wskazówek zegara język spustowy jest przesunięty do połowy, a urządzenie pracuje z połowiczną prędkością. W przypadku obrotów w kierunku zgodnym z ruchem wskazówek zegara nie można wcisnąć przycisku blokady.

Omawiane elektronarzędzie jest wyposażone w przełącznik kierunku obrotów umożliwiający zmianę kierunku obrotów. Przesunięcie dźwigni przełącznika kierunku obrotów w położenie ◀ (w stronę A) powoduje zmianę kierunku obrotów zgodnie z ruchem wskazówek zegara, a w położenie ▶ (w stronę B) – przeciwnie do ruchu wskazówek zegara.

## Wymiana szybkowymiennego uchwytu do końcówek SDS-plus



Dla modelu HR2631FT, HR2320T, HR2630T  
Szybkowymienny uchwyt do końcówek SDS-plus można łatwo wymienić na szybkowymienny uchwyt wiertarski.

## Wymiana szybkowymiennego uchwytu do końcówek SDS-plus

### ⚠ PRZESTROGA:



- Przed przystąpieniem do demontażu szybkowymiennego uchwytu do końcówek SDS-plus należy zawsze wyjąć końcówkę.

► **Rys.6:** 1. Szybkowymienny uchwyt do końcówek SDS-plus 2. Znacznik na pierścieniu wymiany 3. Pierścień wymiany


Chwycić za pierścień wymiany szybkowymiennego uchwytu do końcówek SDS-plus i obrócić go w kierunku strzałki, aż znacznik pierścienia wymiany przesunie się ze znaku  na znak . Pociągnąć mocno w kierunku strzałki.

## Montaż szybkowymiennego uchwytu wiertarskiego

► **Rys.7:** 1. Wrzeciono 2. Szybkowymienny uchwyt wiertarski 3. Znacznik na pierścieniu wymiany 4. Pierścień wymiany

Sprawdzić, czy znacznik na szybkowymiennym uchwycie wiertarskim wskazuje symbol . Chwycić za pierścień wymiany szybkowymiennego uchwytu wiertarskiego i przestawić go tak, aby znacznik wskazywał symbol .

Należy szybkowymienny uchwyt wiertarski na wrzeciono narzędzia.

Chwycić za pierścień wymiany szybkowymiennego uchwytu wiertarskiego i obrócić, aż znacznik pierścienia wymiany wyrówna się z symbolem , co jest sygnalizowane charakterystycznym kliknięciem.


## Wybór trybu pracy

### ⚠ PRZESTROGA:

- Nie wolno korzystać z dźwigni zmiany trybu pracy, gdy narzędzie jest w ruchu. Narzędzie może ulec przy tym uszkodzeniu.
- Aby uniknąć szybkiego zużywania się mechanizmu zmiany trybu pracy, gałka zmiany trybu pracy musi być zawsze ustawiona dokładnie w jednym z trzech prawidłowych położeń.


## Wiercenie udarowe

► **Rys.8:** 1. Wiercenie udarowe 2. Gałka zmiany trybu pracy

Aby wiercić w betonie, cegle, itp., należy obrócić gałkę w taki sposób tak, aby wskazywała symbol . Należy do tego używać wiertła z ostrzami z węgliku wolframu.


## Tylko obroty

► **Rys.9:** 1. Tylko obroty

Aby wiercić w drewnie, metalu lub tworzywach sztucznych, należy ustawić pokrętko zmiany trybu pracy na symbol . Używać wiertła krętego lub wiertła do drewna.

## Tylko udar

► **Rys.10:** 1. Tylko udar

W przypadku kucia, skuwania lub prac rozbiórkowych należy ustawić pokrętko zmiany trybu pracy na znak . Używać punktaków, dłut, dłut do skuwania, itp.

## Ogranicznik momentu obrotowego

### ⚠ PRZESTROGA:

- Kiedy zadziałał ogranicznik momentu obrotowego, należy natychmiast wyłączyć narzędzie. Dzięki temu uniknie się przedwczesnemu zużyciu się narzędzia.
- Do opisywanego narzędzia nie nadają się takie końcówki, jak piły walcowe, które mają tendencję do zakleszczania lub blokowania się w otworze. Powodują one zbyt częste załączanie ogranicznika momentu.

Ogranicznik momentu obrotowego zaczyna działać, gdy zostanie osiągnięta określona wartość momentu. W takiej sytuacji silnik zostaje odłączony od wałka wprowadzenia napędu. To powoduje zatrzymanie obrotów wiertła.

## Zaczepek

Dla modelu HR2641

### ⚠ PRZESTROGA:

- Nie wolno wieszak narzędzia wysoko lub na potencjalnie niestabilnej powierzchni.

► **Rys.11:** 1. Hak

Zaczepek jest wygodny, aby na chwilę zawiesić elektro-narzędzie. Aby skorzystać z zaczepu, należy po prostu unieść go w górę i przestawić w pozycję otwarcia. Gdy zaczepek nie jest używany, zawsze należy go opuścić i przestawić w pozycję zamknięcia.

## MONTAŻ

### ⚠ PRZESTROGA:

- Przed wykonywaniem jakichkolwiek czynności na elektronarzędziu należy upewnić się, czy jest ono wyłączone i nie podłączone do sieci.

## Uchwyt boczny (pomocnicza rękojeść)

► **Rys.12:** 1. Wypukłości 2. Rowki

### ⚠ PRZESTROGA:

- W celu zapewnienia bezpieczeństwa obsługi należy zawsze korzystać z uchwytu bocznego.



Zamontować uchwyt boczny w taki sposób, aby występy znajdujące się na uchwycie weszły w rowki znajdujące się w korpusie elektronarzędzia. Następnie w wybranym położeniu dokręcić uchwyt, obracając go zgodnie z ruchem wskazówek zegara. Można go obracać w zakresie 360° i zablokować w dowolnym położeniu.

## Smar do końcówek

Przed zamocowaniem wiertła należy posmarować jego trzon małą ilością smaru (około 0,5 - 1 g). Takie smarowanie uchwytu zapewnia prawidłowe i długotrwałe działanie.

## Montaż lub demontaż końcówki

► **Rys.13:** 1. Trzon wiertła 2. Smar do wiertel

Przed zamocowaniem końcówki oczyść jej trzon i nasmaruj.

► **Rys.14:** 1. Wiertło

Wsuń końcówkę do uchwytu narzędzia. Obróć końcówkę i wciśnij, aż wskoczy na swoje miejsce. Po zainstalowaniu należy koniecznie upewnić się, czy końcówka jest prawidłowo zablokowana, próbując ją wyciągnąć.

► **Rys.15:** 1. Wiertło 2. Osłona uchwytu


Aby wyjąć końcówkę, pociągnij osłonę uchwytu w dół do oporu i zdecydowanym ruchem wyciągnij końcówkę.

## Kąt ustawienia dłuta (podczas dłutowania, wyburzania, itp.)

► **Rys.16:** 1. Gałka zmiany trybu pracy

Końcówkę można zamocować pod wymaganym kątem. Aby zmienić kąt ustawienia końcówki, należy obrócić pokrętko zmiany trybu pracy na symbol **O**. Następnie obrócić końcówkę pod wymaganym kątem.

► **Rys.17**

Ustaw gałkę zmiany trybu pracy na znak . Następnie sprawdź, lekko je obracając, czy dłuto jest pewnie zamocowane.

## Ogranicznik głębokości wiercenia

Ogranicznik głębokości wiercenia jest wygodny podczas wiercenia otworów o jednakowej głębokości.

► **Rys.18:** 1. Podstawa uchwytu 2. Przycisk blokujący 3. Ogranicznik głębokości

Nacisnąć przełącznik blokady w podstawie uchwytu, w kierunku wskazywanym przez strzałkę na rysunku, i trzymając wciśnięty przełącznik wsunąć ogranicznik głębokości do sześciokątnego otworu w podstawie uchwytu.

► **Rys.19:** 1. Strona uzębiona oznaczenia otworu sześciokątnego w podstawie uchwytu 2. Strona uzębiona ogranicznika głębokości

W tym przypadku ogranicznik głębokości należy założyć w taki sposób, by strona uzębiona była skierowana do strony uzębionej oznaczenia otworu sześciokątnego w podstawie uchwytu, jak to pokazano na rysunku.

► **Rys.20:** 1. Przycisk blokujący

Wyregulować ogranicznik na wymaganą głębokość, przesuwając go w obie strony, z wciśniętym przełącznikiem blokady. Po ustawieniu ogranicznika zwołnij przełącznik blokady, aby zablokować ogranicznik.

► **Rys.21:** 1. Strona uzębiona oznaczenia otworu sześciokątnego w podstawie uchwytu 2. Strona uzębiona ogranicznika głębokości

### WSKAZÓWKI:

- Założenie ogranicznika głębokości stroną uzębioną nieskierowaną do strony uzębionej oznaczenia otworu sześciokątnego w podstawie uchwytu, jak to pokazano na rysunku, spowoduje, że ogranicznika nie będzie można zablokować.

## Osłona przeciwpyłowa (osprzęt dodatkowy)


► **Rys.22:** 1. Osłona przeciwpyłowa


Osłonę tę należy używać, aby podczas wiercenia w pozycji do góry, np. w suficie, pył nie osiadał na narzędziu i na osobie obsługującej. Osłonę należy zamocować na wiertle, jak na rysunku. Wymiary wiertel, na których można mocować tę osłonę:

	Średnica wiertła
Osłona przeciwpyłowa 5	6 mm - 14,5 mm
Osłona przeciwpyłowa 9	12 mm - 16 mm

Dostępny jest inny rodzaj osłony przeciwpyłowej (osprzęt dodatkowy), który zapobiega zapyleniu elektronarzędzia i użytkownika podczas wiercenia na dużej wysokości.

## Montaż lub demontaż osłony przeciwpyłowej (osprzęt dodatkowy)

► **Rys.23:** 1. Symbol  2. Rowki 3. Osłona przeciwpyłowa

Przed zamocowaniem osłony przeciwpyłowej należy zdjąć końcówkę z elektronarzędzia, o ile jest zamontowana. Zamontować osłonę przeciwpyłową (osprzęt dodatkowy) na elektronarzędziu w taki sposób, aby symbol  na osłonie przeciwpyłowej był wyrównany z rowkami w elektronarzędziu.

► **Rys.24:** 1. Wiertło 2. Osłona uchwytu

Aby zdjąć kolnierz przeciwpyłowy, pociągnąć osłonę uchwytu narzędziowego w kierunku pokazanym na rysunku, a następnie zdjąć końcówkę z narzędzia.

► **Rys.25:** 1. Element montażowy w podstawie kolnierza przeciwpyłowego

Chwycić element montażowy w podstawie kolnierza przeciwpyłowego i wyjąć go.

► **Rys.26:** 1. Mieszki 2. Element montażowy

► **Rys.27:** 1. Obwód wewnętrzny 2. Płaska strona 3. Element montażowy 4. Korek 5. Bruzda

► **Rys.28:** 1. Korek 2. Element montażowy

#### WSKAZÓWKA:

- Podczas montażu i demontażu osłony przeciwpyłowej może wypaść nasadka z osłony przeciwpyłowej. W takim przypadku należy postępować w poniższy sposób. Usunąć mieszki z elementu montażowego i założyć nasadkę, jak pokazano na rysunku, płaską stroną do góry, tak aby rowek w nasadce pasował do wewnętrzznego obwodu elementu montażowego. Na końcu zamontować wcześniej usunięte mieszki.

#### ► Rys.29

#### WSKAZÓWKA:

- Po podłączeniu do wiertarki udarowej odkurzacza praca jest czystsza. Przed podłączeniem odkurzacza należy zdjąć kołnierzyk przeciwpyłowy.

## DZIAŁANIE

#### ▲ PRZESTROGA:


- Należy zawsze używać uchwytu bocznego (rękojeści pomocniczej) i podczas pracy trzymać narzędzie zarówno za uchwyt boczny jak i rękojeść z przełącznikiem.

## Operacja wiercenia z użyciem udaru

#### ▲ PRZESTROGA:

- W momencie przewiercania otworu, gdy otwór zapchany jest wiórami, opiłkami lub gruzem lub w przypadku natknięcia się na pręty zbrojeniowe osadzone w betonie na narzędzie/wiertło wywierana jest nagle olbrzymia siła skręcająca. Należy zawsze używać uchwytu bocznego (rękojeści pomocniczej) i podczas pracy trzymać narzędzie zarówno za uchwyt boczny jak i rękojeść z przełącznikiem. Niestosowanie się do tej zasady może spowodować utratę kontroli nad narzędziem i ewentualnie poważne obrażenia.

#### ► Rys.30

Gałkę zmiany trybu pracy należy ustawić na znak . Ustaw wiertło w wybranym miejscu, gdzie ma być wywierony otwór, a następnie pociągnij za język spustowy przełącznika. Nie przeciążaj narzędzia. Lekki nacisk daje najlepsze wyniki. Trzymaj narzędzie w jednej pozycji uważając, aby wiertło nie ślizgało się i nie przesuwało się względem otworu.

Nie zwiększać nacisku, gdy otwór zapcha się wiórami, opiłkami lub gruzem. Zamiast tego pozwól, aby narzędzie pracowało przez chwilę bez obciążenia, a następnie wyciągnij wiertło częściowo z otworu. Po kilkakrotnym powtórzeniu tej procedury otwór zostanie oczyszczony i można wznowić normalną operację wiercenia.

**WSKAZÓWKA:** Ekscentryczność obrotów wiertła może wystąpić podczas pracy narzędzia bez obciążenia. Narzędzie podczas pracy centruje się automatycznie. Nie ma to wpływu na dokładność wiercenia.


## Gruszka do przedmuchiwania (wyposażenie dodatkowe)

#### ► Rys.31: 1. Gruszka do przedmuchiwania

Po wywierceniu otworu można skorzystać z gruszki do przedmuchiwania, aby oczyścić otwór z pyłu.

## Kucie/dłutowanie/wyburzanie

#### ► Rys.32


Dźwignię zmiany trybu pracy należy ustawić na znak .

Narzędzie należy trzymać oburącz. Po włączeniu narzędzia należy je lekko docisnąć, aby nie podskakiwało w sposób niekontrolowany. Zbyt silny docisk narzędzia nie zwiększa jego skuteczności.

## Wiercenie otworów w drewnie lub metalu

#### ▲ PRZESTROGA:

- Kiedy zamontowany jest uchwyt wiertarski, nie wolno pracować w trybie „Wiercenie udarowe”. Może to spowodować uszkodzenie tego uchwytu. Poza tym, przy zmianie kierunku obrotów uchwyt ten odpadnie.
- Wywieranie nadmiernego nacisku na narzędzie nie przyspiesza wiercenia. W praktyce, wywieranie nadmiernego nacisku przyczynia się jedynie do uszkodzenia końcówki wiertła, zmniejszenia wydajności i skrócenia okresu eksploatacyjnego narzędzia.
- W momencie przebicia na elektronarzędzie/wiertło wywierana jest olbrzymia siła skręcająca. Trzymać elektronarzędzie mocno w momencie, gdy wiertło jest bliskie przebicia obrabianego materiału.
- Zablockowane wiertło można łatwo wyjąć, załączając przełącznik wstecznych obrotów i wyprowadzając wiertło. Elektronarzędzie może jednak nagle odbić, jeśli nie zostanie mocno przytrzymane.
- Niewielkie obrabiane kawałki materiału zawsze zamocowywać w imadle lub podobnym przyrządzie przytrzymującym.

Gałkę zmiany trybu pracy należy ustawić na znak . Maksymalna średnica wierconych otworów wynosi 13 mm w metalu i 32 mm w drewnie.

Dla modelu HR2631F, HR2641, HR2630

#### ► Rys.33: 1. Zespół uchwytu wiertarskiego (osprzęt dodatkowy)

Użyć zespołu uchwytu wiertarskiego (osprzęt dodatkowy). Podczas jego montażu korzystać z instrukcji podanych w punkcie „Montaż lub demontaż końcówki”, który znajduje się na poprzedniej stronie.

#### ► Rys.34: 1. Klucz do uchwytu wiertarskiego

W celu zamontowania końcówki należy ją wsunąć do oporu do uchwytu. Dokręcić ręcznie uchwyt. Wsunąć kluczyk uchwytu kolejno do każdego z trzech otworów i dokręcić zgodnie z ruchem wskazówek zegara. Dokręcić równo uchwyt we wszystkich trzech otworach.

W celu wyjęcia końcówki wystarczy obrócić kluczycy uchwytu przeciwnie do ruchu wskazówek zegara tylko w jednym wybranym otworze, następnie poluzować uchwyt ręką.

**Dla modelu** HR2631FT, HR2320T, HR2630T

- **Rys.35:** 1. Szybkowymienny uchwyt do końcówek SDS-plus 2. Znacznik na pierścieniu wymiany 3. Pierścień wymiany
- **Rys.36:** 1. Wrzeciono 2. Szybkowymienny uchwyt wiertarski 3. Znacznik na pierścieniu wymiany 4. Pierścień wymiany

Jako standardowego wyposażenia używać szybkowymiennego uchwytu wiertarskiego. Podczas montażu należy sięgnąć do akapitu zatytułowanego „Wymiana uchwytu szybkowymiennego do końcówek SDS-plus” na poprzedniej stronie.

- **Rys.37:** 1. Szybkowymienny uchwyt wiertarski 2. Tuleja 3. Pierścień


Przytrzymaj pierścień i obróć tuleję w kierunku przeciwnym do ruchu wskazówek zegara, aby rozsunąć szczękę uchwytu. Wsuń wiertło do oporu do uchwytu wiertarskiego. Przytrzymaj mocno pierścień i obróć tuleję w kierunku zgodnym z ruchem wskazówek zegara, aby zacisnąć uchwyt.

W celu wyjęcia końcówki przytrzymać pierścień i obrócić tuleję w kierunku przeciwnym do ruchu wskazówek zegara.

## Wiercenie z użyciem diamentowej koronki rdzeniowej

### ▲ PRZESTROGA:

- Wykonywanie operacji wiercenia przy użyciu diamentowej końcówki rdzenia, gdy narzędzie ustawione jest na „wiercenie udarowe”, może doprowadzić do uszkodzenia końcówki.

Wykonując wiercenia przy użyciu diamentowej końcówki rdzenia, należy zawsze ustawić dźwignię w pozycji , aby uruchomić tryb „tylko ruch obrotowy”.

## Obsługa elektronarzędzia z osłoną przeciwpylową (osprzęt dodatkowy)

- **Rys.38:** 1. Osłona przeciwpylowa

Przystawić wiertarkę z kołnierzem przeciwpylowym do powierzchni sufitu.

### WSKAZÓWKA:

- Osłona przeciwpylowa (osprzęt dodatkowy) przeznaczona jest do wiercenia w takich materiałach, jak beton i zaprawa murarska. Nie stosować elektronarzędzia z osłoną przeciwpylową podczas wiercenia w metalu lub podobnym materiale. Stosowanie osłony przeciwpylowej do wiercenia w metalu może spowodować uszkodzenie osłony przeciwpylowej z powodu ciepła wytwarzanego przez drobny pył metaliczny lub podobne drobinki.
- Przed zdjęciem wiertła opróżnić kołnierz przeciwpylowy.
- Kołnierz przeciwpylowy powinien być zawsze dobrze zamocowany.

## KONSERWACJA

### ▲ PRZESTROGA:

- Przed wykonywaniem kontroli i konserwacji należy się zawsze upewnić, czy elektronarzędzie jest wyłączone i nie podłączone do sieci.
- Nie wolno używać benzyny, benzenu, rozpuszczalnika, alkoholu itp. Substancje takie mogą spowodować odbarwienia, odkształcenia lub pęknięcia.

Dla zachowania BEZPIECZEŃSTWA i NIEZAWODNOŚCI wyrobu, naprawy, wymiana szczetek węglowych oraz inne prace konserwacyjne i regulacyjne powinny być wykonywane przez Autoryzowane Centra Serwisowe Makita, wyłącznie przy użyciu części zamiennych Makita.

## AKCESORIA OPCJONALNE

### ▲ PRZESTROGA:

- Zaleca się stosowanie wymienionych akcesoriów i dodatków razem z elektronarzędziem Makita opisanym w niniejszej instrukcji. Stosowanie jakichkolwiek innych akcesoriów i dodatków może stanowić ryzyko uszkodzenia ciała. Stosować akcesoria i dodatki w celach wyłącznie zgodnych z ich przeznaczeniem.

W razie potrzeby, wszelkiej pomocy i szczegółowych informacji na temat niniejszych akcesoriów udzieli Państwu lokalne Centra Serwisowe Makita.

- Wiertła SDS-Plus z ostrzami z węgla
- Końcówka rdzenia
- Punktak
- Diamentowa końcówka rdzenia
- Przecinak
- Dłuto do skuwania
- Wycinak ślusarski
- Uchwyt wiertarski
- Uchwyt wiertarski S13
- Przejściówka uchwytu
- Klucz do uchwytu S13
- Smar do końcówek
- Uchwyt boczny
- Ogranicznik głębokości wiercenia
- Gruszka do przedmuchiwania
- Osłona przeciwpylowa
- Gogle ochronne
- Walizka z tworzywa sztucznego
- Samozaciskowy uchwyt wiertarski

### WSKAZÓWKA:

- Niektóre pozycje znajdujące się na liście mogą być dołączone do pakietu narzędziowego jako akcesoria standardowe. Mogą to być różne pozycje, w zależności od kraju.

# SPECIFICAȚII

Model		HR2631F	HR2631FT	HR2641	HR2320T	HR2630	HR2630T
Capacități	Beton	26 mm			23 mm	26 mm	
	Burghiu de centrare	68 mm					
	Burghiu de centrare diamantat (tip uscat)	80 mm			70 mm	80 mm	
	Oțel	13 mm					
	Lemn	32 mm					
Turație în gol		0 - 1.200 min <sup>-1</sup>		0 - 1.100 min <sup>-1</sup>	0 - 1.200 min <sup>-1</sup>		
Lovituri pe minut		0 - 4.600 min <sup>-1</sup>		0 - 4.500 min <sup>-1</sup>	0 - 4.600 min <sup>-1</sup>		
Lungime totală		361 mm	385 mm	422 mm	380 mm	361 mm	385 mm
Greutate netă		2,9 kg	3,1 kg		2,9 kg	2,8 kg	3,0 kg
Clasa de siguranță		II/III					

• Datorită programului nostru continuu de cercetare și dezvoltare, caracteristicile pot fi modificate fără o notificare prealabilă.

- Specificațiile pot varia în funcție de țară.
- Greutatea este specificată conform procedurii EPTA-01/2003

## Destinația de utilizare

Mașina este destinată găuririi cu percuție și găuririi simple în cărămidă, beton și piatră.

De asemenea, este adecvată și pentru găurirea fără percuție în lemn, metal, ceramică și plastic.

## Sursă de alimentare

Unealta trebuie conectată doar la o sursă de alimentare cu aceeași tensiune precum cea indicată pe plăcuța indicatoare a caracteristicilor tehnice și poate fi operată doar de la o sursă de curent alternativ cu o singură fază. Acestea au o izolație dublă și, drept urmare, pot fi utilizate de la prize fără împământare.

## Emisie de zgomot

Nivelul de zgomot normal ponderat A determinat în conformitate cu EN60745:

### Model HR2631F, HR2631FT, HR2641

Nivel de presiune acustică ( $L_{pA}$ ): 90 dB (A)

Nivel de putere acustică ( $L_{WA}$ ): 101 dB (A)

Marjă de eroare (K): 3 dB (A)

### Model HR2320T, HR2630, HR2630T

Nivel de presiune acustică ( $L_{pA}$ ): 91 dB (A)

Nivel de putere acustică ( $L_{WA}$ ): 102 dB (A)

Marjă de eroare (K): 3 dB (A)

## Portați mijloace de protecție a auzului

## Vibrații

Valoarea totală a vibrațiilor (suma vectorilor tri-axiali) determinată conform EN60745:

### Model HR2631F

Mod de funcționare: găurire cu percuție în beton

Emisie de vibrații ( $a_{h,HD}$ ): 12,0 m/s<sup>2</sup>

Marjă de eroare (K): 1,5 m/s<sup>2</sup>

Mod de lucru: funcție de dăltuire cu mâner lateral

Emisie de vibrații ( $a_{h,CHeg}$ ): 9,0 m/s<sup>2</sup>

Marjă de eroare (K): 1,5 m/s<sup>2</sup>

Mod de funcționare: găurire în metal

Emisie de vibrații ( $a_{h,D}$ ): 2,5 m/s<sup>2</sup> sau mai puțin

Marjă de eroare (K): 1,5 m/s<sup>2</sup>

### Model HR2631FT

Mod de funcționare: găurire cu percuție în beton

Emisie de vibrații ( $a_{h,HD}$ ): 11,5 m/s<sup>2</sup>

Marjă de eroare (K): 1,5 m/s<sup>2</sup>

Mod de lucru: funcție de dăltuire cu mâner lateral

Emisie de vibrații ( $a_{h,CHeg}$ ): 8,5 m/s<sup>2</sup>

Marjă de eroare (K): 1,5 m/s<sup>2</sup>

Mod de funcționare: găurire în metal

Emisie de vibrații ( $a_{h,D}$ ): 2,5 m/s<sup>2</sup> sau mai puțin

Marjă de eroare (K): 1,5 m/s<sup>2</sup>

### Model HR2641

Mod de funcționare: găurire cu percuție în beton

Emisie de vibrații ( $a_{h,HD}$ ): 11,5 m/s<sup>2</sup>

Marjă de eroare (K): 1,5 m/s<sup>2</sup>

Mod de lucru: funcție de dăltuire cu mâner lateral

Emisie de vibrații ( $a_{h,CHeg}$ ): 9,0 m/s<sup>2</sup>

Marjă de eroare (K): 1,5 m/s<sup>2</sup>

Mod de funcționare: găurire în metal

Emisie de vibrații ( $a_{h,D}$ ): 2,5 m/s<sup>2</sup>

Marjă de eroare (K): 1,5 m/s<sup>2</sup>

### Model HR2320T

Mod de funcționare: găurire cu percuție în beton

Emisie de vibrații ( $a_{h,HD}$ ): 15,5 m/s<sup>2</sup>

Marjă de eroare (K): 1,5 m/s<sup>2</sup>

Mod de lucru: funcție de dăltuire cu mâner lateral

Emisie de vibrații ( $a_{h,CHeg}$ ): 10,5 m/s<sup>2</sup>

Marjă de eroare (K): 1,5 m/s<sup>2</sup>

Mod de funcționare: găurire în metal

Emisie de vibrații ( $a_{h,D}$ ): 2,5 m/s<sup>2</sup> sau mai puțin

Marjă de eroare (K): 1,5 m/s<sup>2</sup>

### Model HR2630

Mod de funcționare: găurire cu percuție în beton

Emisie de vibrații ( $a_{h,HD}$ ): 15,5 m/s<sup>2</sup>

Marjă de eroare (K): 1,5 m/s<sup>2</sup>

Mod de lucru: funcție de dăltuire cu mâner lateral

Emisie de vibrații ( $a_{n,CHet}$ ):  $9,5 \text{ m/s}^2$

Marjă de eroare (K):  $1,5 \text{ m/s}^2$

Mod de funcționare: găurire în metal

Emisie de vibrații ( $a_{n,D}$ ):  $2,5 \text{ m/s}^2$

Marjă de eroare (K):  $1,5 \text{ m/s}^2$

#### Model HR2630T

Mod de funcționare: găurire cu percuție în beton

Emisie de vibrații ( $a_{n,HD}$ ):  $15,0 \text{ m/s}^2$

Marjă de eroare (K):  $1,5 \text{ m/s}^2$

Mod de lucru: funcție de dăltuire cu mâner lateral

Emisie de vibrații ( $a_{n,CHet}$ ):  $9,5 \text{ m/s}^2$

Marjă de eroare (K):  $1,5 \text{ m/s}^2$

Mod de funcționare: găurire în metal

Emisie de vibrații ( $a_{n,D}$ ):  $2,5 \text{ m/s}^2$  sau mai puțin

Marjă de eroare (K):  $1,5 \text{ m/s}^2$

**NOTĂ:** Nivelul de vibrații declarat a fost măsurat în conformitate cu metoda de test standard și poate fi utilizat pentru compararea unei unelte cu alta.

**NOTĂ:** Nivelul de vibrații declarat poate fi, de asemenea, utilizat într-o evaluare preliminară a expunerii.

**AVERTIZARE:** Nivelul de vibrații în timpul utilizării reale a unelei electrice poate diferi de valoarea nivelului declarat, în funcție de modul în care unealta este utilizată.

**AVERTIZARE:** Asigurați-vă că identificați măsurile de siguranță pentru a proteja operatorul, acestea fiind bazate pe o estimare a expunerii în condiții reale de utilizare (luând în considerare toate părțile ciclului de operare, precum timpii în care unealta a fost oprită, sau a funcționat în gol, pe lângă timpul de declanșare).

## Numai pentru țările europene

### Declarație de conformitate CE

**Makita declară că următoarea(ele) mașină(i):**

Denumirea mașinii:

Ansamblu percutor multifuncțional

Model Nr./ Tip: HR2631F, HR2631FT, HR2641,

HR2320T, HR2630, HR2630T

**Este în conformitate cu următoarele directive europene:**

2006/42/EC

Sunt fabricate în conformitate cu următorul standard sau documente standardizate:

EN60745

Fișierul tehnic în conformitate cu 2006/42/CE este disponibil de la:

Makita, Jan-Baptist Vinkstraat 2, 3070, Belgia

19.5.2014



Yasushi Fukaya  
Director

Makita, Jan-Baptist Vinkstraat 2, 3070, Belgia

## Avertismente generale de siguranță pentru unelte electrice

**AVERTIZARE** Citiți toate avertizările de siguranță și toate instrucțiunile. Nerespectarea acestor avertizări și instrucțiuni poate avea ca rezultat electrocutarea, incendiul și/sau rănirea gravă.

**Păstrați toate avertismentele și instrucțiunile pentru consultări ulterioare.**

## AVERTISMENTE DE SIGURANȚĂ PRIVIND CIOCANUL ROTOPERCUTOR

- Purtați mijloace de protecție a auzului.** Expunerea la zgomot poate provoca pierderea auzului.
- Utilizați mânerele auxiliare, dacă sunt livrate cu mașina.** Pierderea controlului poate produce rănirea persoanei.
- Apucați mașina de suprafețele izolate, atunci când efectuați o operațiune în cadrul căreia accesoriul de tăiere poate intra în contact cu cablurile ascunse sau cu propriul său cablu.** Contactul dintre accesoriul de tăiere și un cablu sub tensiune poate pune sub tensiune părțile metalice expuse ale mașinii, provocând șocuri electrice utilizatorului.
- Purtați o cască dură (cască de protecție), ochelari de protecție și/sau o mască de protecție. Ochelarii obișnuiți sau ochelarii de soare NU sunt ochelari de protecție. De asemenea, se recomandă insistent să purtați o mască de protecție contra prafului și mănuși de protecție groase.**
- Asigurați-vă că scula este fixată înainte de utilizare.**
- În condiții de utilizare normală, mașina este concepută să producă vibrații. Șuruburile se pot slăbi ușor, cauzând o defecțiune sau un accident. Verificați cu atenție strângerea șuruburilor înainte de utilizare.**
- În condiții de temperatură scăzută sau dacă mașina nu a fost utilizată o perioadă mai îndelungată, lăsați mașina să se încălzească un timp prin acționarea ei în gol. Aceasta va facilita lubrifierea. Operația de percuție este dificilă, fără o încălzire prealabilă corespunzătoare.**
- Păstrați-vă echilibrul.** Asigurați-vă că nu se află nimeni dedesubt atunci când folosiți mașina la înălțime.
- Țineți mașina ferm cu ambele mâini.**
- Țineți mâinile la distanță de piesele în mișcare.**
- Nu lăsați mașina în funcțiune. Folosiți mașina numai când o țineți cu mâinile.**
- Nu îndreptați mașina către nicio persoană din jur în timpul utilizării. Scula poate fi aruncată din mașină și poate provoca vătămări corporale grave.**
- Nu atingeți scula sau piesele din apropierea sculei imediat după executarea lucrării; acestea pot fi extrem de fierbinți și pot provoca arsuri ale pielii.**

14. Unele materiale conțin substanțe chimice care pot fi toxice. Aveți grijă să nu inhalați praful și evitați contactul cu pielea. Respectați instrucțiunile de siguranță ale furnizorului.

## PĂSTRAȚI ACESTE INSTRUCȚIUNI.

**⚠️ AVERTIZARE:** NU permiteți comodității și familiarizării cu produsul (obținute prin utilizare repetată) să înlocuiască respectarea strictă a normelor de securitate pentru acest produs. FOLOSIREA INCORECTĂ sau nerespectarea normelor de securitate din acest manual de instrucțiuni poate provoca vătămări corporale grave.

## DESCRIERE FUNCȚIONALĂ

### ⚠️ ATENȚIE:

- Asigurați-vă că ați oprit mașina și că ați debransat-o de la rețea înainte de a o regla sau de a verifica starea sa de funcționare.

## Acționarea întrerupătorului

### ⚠️ ATENȚIE:

- Înainte de a branșa mașina la rețea, verificați dacă trăgaciul întrerupătorului funcționează corect și dacă revine la poziția "OFF" (oprit) atunci când este eliberat.

► **Fig.1:** 1. Declanșator întrerupător 2. Buton de blocare

► **Fig.2:** 1. Declanșator întrerupător 2. Buton de blocare

Pentru a porni unealta, apăsați pur și simplu butonul declanșator. Viteza mașinii poate fi crescută prin creșterea forței de apăsare a butonului declanșator. Eliberați butonul declanșator pentru a opri unealta. Pentru funcționare continuă, trageți butonul declanșator, apoi apăsați butonul de blocare și eliberați butonul declanșator. Pentru a opri mașina din poziția blocată, apăsați complet butonul declanșator și apoi eliberați-l.

## Aprinderea lămpilor

Pentru modelul HR2631F, HR2631FT

### ⚠️ ATENȚIE:

- Nu priviți direct în raza sau în sursa de lumină.

► **Fig.3:** 1. Lampă

Pentru a aprinde lampa, apăsați butonul declanșator. Eliberați butonul declanșator pentru a o stinge.

### NOTĂ:

- Folosiți o cârpă curată pentru a șterge depunerile de pe lentila lămpii. Aveți grijă să nu zgâriați lentila lămpii, deoarece calitatea iluminării va fi afectată.
- Nu folosiți diluant sau benzină pentru curățarea lămpii. Astfel de solvenți o pot deteriora.

## Funcționarea inversorului

### ⚠️ ATENȚIE:

- Verificați întotdeauna sensul de rotație înainte de utilizare.
- Folosiți comutatorul de inversare numai după ce mașina s-a oprit complet. Schimbarea sensului de rotație înainte de oprirea mașinii poate avaria mașina.

Pentru modelul HR2631F, HR2631FT, HR2320T, HR2630, HR2630T

### ⚠️ ATENȚIE:

- Dacă butonul declanșator nu poate fi apăsat, verificați dacă comutatorul de inversare este acționat complet în poziția ◁ (poziția A) sau ▷ (poziția B).

► **Fig.4:** 1. Levier de inversor

Această mașină dispune de un comutator de inversare pentru schimbarea sensului de rotație. Deplasați pârghia comutatorului de inversare în poziția ◁ (poziția A) pentru rotire în sens orar sau în poziția ▷ (poziția B) pentru rotire în sens anti-orar.

Pentru modelul HR2641

► **Fig.5:** 1. Levier de inversor

### NOTĂ:

- Dacă utilizați mașina cu rotație în sens anti-orar, butonul declanșator este acționat numai pe jumătate și mașina funcționează la jumătate din viteză. Pentru rotație în sens anti-orar nu puteți apăsa butonul de blocare.

Această unealtă este prevăzută cu un comutator de inversare pentru a schimba direcția de rotație. Deplasați pârghia comutatorului de inversare în poziția ◁ (partea A) pentru rotire în sens orar sau în poziția ▷ (partea B) pentru rotire în sens anti-orar.

## Schimbarea mandrinei rapide pentru SDS-plus

Pentru modelul HR2631FT, HR2320T, HR2630T

Mandrina rapidă pentru SDS-plus poate fi schimbată ușor cu mandrina de găurit rapidă.



## Demontarea mandrinei rapide pentru SDS-plus

### ⚠️ ATENȚIE:

- Înainte de a demonta mandrina rapidă pentru SDS-plus, scoateți întotdeauna burghiul.






- **Fig.6:** 1. Mandrină rapidă pentru SDS-plus 2. Linia de pe manșonul de schimbare 3. Manșon de schimbare

Apucați manșonul de schimbare al mandrinei rapide pentru SDS-plus și rotiți-l în direcția indicată de săgeată până când linia de pe manșonul de schimbare se deplasează de la simbolul  la simbolul . Trageți cu putere în direcția indicată de săgeată.

## Atașarea mandrinei de găurit rapide

- **Fig.7:** 1. Arbore 2. Mandrină de găurit rapidă 3. Linia de pe manșonul de schimbare 4. Manșon de schimbare

Verificați ca linia de pe mandrina de găurit rapidă să indice simbolul . Apucați manșonul de schimbare al mandrinei de găurit rapide și reglați linia la simbolul . Amplasați mandrina de găurit rapidă pe arborele mașinii.

Apucați manșonul de schimbare al mandrinei de găurit rapide și rotiți linia de pe manșonul de schimbare la simbolul  până când se aude clar un clic.


## Selectarea modului de acționare

### ⚠ATENȚIE:

- Nu rotiți butonul rotativ de schimbare a modului de acționare când mașina funcționează. Mașina va fi avariată.
- Pentru a evita uzura rapidă a mecanismului de schimbare a modului de acționare, aveți grijă întotdeauna ca butonul rotativ de schimbare a modului de acționare să fie poziționat corect într-una dintre cele trei poziții corespunzătoare modurilor de acționare.


## Rotire cu percuție

- **Fig.8:** 1. Rotire cu percuție 2. Buton rotativ de schimbare a modului de acționare

Pentru găurirea betonului, zidăriei etc., rotiți butonul rotativ de schimbare a modului de acționare la simbolul . Folosiți un burghiu cu percuție din aliaj dur de tungsten.


## Rotire simplă

- **Fig.9:** 1. Rotire simplă

Pentru găurirea lemnului, metalului sau a materialelor plastice, rotiți butonul de schimbare a modului de acționare la simbolul . Folosiți un burghiu lat elicoidal sau un burghiu pentru lemn.

## Percuție simplă

- **Fig.10:** 1. Percuție simplă

Pentru operații de spargere, curățare sau demolare, rotiți butonul rotativ de schimbare a modului de acționare la simbolul . Folosiți o dalta spăt, o dalta îngusta, o dalta lata, etc.

## Limitator de cuplu

### ⚠ATENȚIE:

- De îndată ce acționează limitatorul de cuplu, opriți mașina imediat. Veți evita astfel uzura prematură a mașinii.
- Sculele cum ar fi coroana de găurit, care tind să se blocheze sau să se agațe ușor în gaură, nu sunt adecvate pentru această mașină. Această deoarece vor cauza acționarea prea frecventă a limitatorului de cuplu.

Limitatorul de cuplu va acționa atunci când se atinge o anumită valoare a cuplului. Motorul va fi decuplat de la arborele de ieșire. În acest caz, burghiul nu se va mai roti.

## Agățătoare

Pentru modelul HR2641

### ⚠ATENȚIE:

- Nu agățați niciodată mașina în locații înalte sau pe suprafețe potențial instabile.

- **Fig.11:** 1. Agățătoare

Cârligul este util pentru agățarea temporară a uneltei. Pentru a folosi cârligul, ridicăți pur și simplu cârligul până când se blochează în poziție deschisă. Când nu-l folosiți, coborâți întotdeauna cârligul până când se blochează în poziție închisă.

## MONTARE

### ⚠ATENȚIE:

- Asigurați-vă că ați oprit mașina și că ați deconectat-o de la rețea înainte de a efectua vreo intervenție asupra mașinii.

## Mâner lateral (mâner auxiliar)

- **Fig.12:** 1. Protuberanțe 2. Caneluri

### ⚠ATENȚIE:

- Folosiți întotdeauna mânerul lateral pentru a garanta siguranța utilizării.

Montați mânerul lateral astfel încât protuberanțele de pe mâner să angreneze cu canelurile de pe corpul uneltei. Apoi strângeți mânerul rotindu-l în sens orar, în poziția dorită. Acesta poate fi înclinat la 360° pentru a fi fixat în orice poziție.

## Unsoare pentru burghie

Acoperiți capul cozii burghiului cu o cantitate mică de unsoare pentru burghie (circa 0,5 - 1 g). Această lubrifiere a mandrinei asigură o funcționare lină și o durată de exploatare prelungită.

## Instalarea sau demontarea capului de înșurubare (bit)

► **Fig.13:** 1. Coada burghiului 2. Unsoare pentru burghie

Curățați coada burghiului și aplicați unsoare pentru burghie înainte de a instala burghiul.

► **Fig.14:** 1. Cap de înșurubat

Introduceți burghiul în mașină. Rotiți burghiul și împingeți-l până când se cuplează.

După instalare, asigurați-vă întotdeauna că burghiul este fixat ferm încercând să-l trageți afară.

► **Fig.15:** 1. Cap de înșurubat 2. Manșonul mandrinei

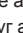
Pentru a demonta burghiul, trageți manșonul mandrinei complet în jos și extrageți burghiul.

## Unghiul de atac al burghiului (la operații de spargere, curățare sau demolare)

► **Fig.16:** 1. Buton rotativ de schimbare a modului de acționare

Scula poate fi fixată la unghiul de atac dorit. Pentru a schimba unghiul de atac al sculei, rotiți butonul de schimbare a modului de acționare la simbolul **O**. Rotiți burghiul la unghiul dorit.

► **Fig.17**

Rotiți butonul rotativ de schimbare a modului de acționare la simbolul . Asigurați-vă apoi, printr-o rotire ușoară, că scula este fixată ferm în poziție.

## Profundorul

Calibrul de reglare a adâncimii este util pentru executarea găurilor cu adâncime egală.

► **Fig.18:** 1. Baza mânerului 2. Buton de blocare 3. Profundor

Apăsăți butonul de blocare de la baza mânerului în direcția săgeții prezentate în figură și, cu butonul de blocare apăsat, introduceți calibrul de reglare a adâncimii în gaura hexagonală de la baza mânerului.

► **Fig.19:** 1. Partea dințată a marcajului găurii hexagonale de la baza mânerului 2. Partea dințată a calibrului de reglare a adâncimii

În acest moment, calibrul de reglare a adâncimii trebuie introdus de așa manieră încât partea sa dințată să fie îndreptată spre partea dințată a marcajului găurii hexagonale de la baza mânerului, așa cum se vede în figură.

► **Fig.20:** 1. Buton de blocare

Reglați calibrul de reglare a adâncimii la adâncimea dorită, prin deplasare înainte-înapoi, în timp ce se apasă pe butonul de blocare. După reglare, eliberați butonul de blocare în vederea blocării calibrului de reglare a adâncimii.

► **Fig.21:** 1. Partea dințată a marcajului găurii hexagonale de la baza mânerului 2. Partea dințată a calibrului de reglare a adâncimii

### NOTĂ:

- Neintroducerea calibrului de reglare a adâncimii cu partea dințată orientată spre partea dințată a marcajului găurii hexagonale de la baza mânerului, așa cum se vede în figură, nu va permite blocarea calibrului de reglare a adâncimii.

## Capac antipraf (accesoriu opțional)


► **Fig.22:** 1. Capac antipraf

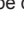
Folosiți capacul antipraf pentru a preveni curgerea prafului pe mașină și pe dumneavoastră atunci când executați operații de găurire deasupra capului. Atașați capacul antipraf pe burghiul după cum se vede în figură. Dimensiunile burghiilor la care poate fi atașat capacul antipraf sunt următoarele.

	Diametrul burghiului
Capac antipraf 5	6 mm - 14,5 mm
Capac antipraf 9	12 mm - 16 mm

Există un alt tip de capac antipraf (accesoriu opțional) facilitează prevenirea căderii de praf pe umeală și pe operator atunci când se execută operații de găurire deasupra capului.

## Montarea sau demontarea capacului antipraf (accesoriu opțional)

► **Fig.23:** 1. Simbol  2. Caneluri 3. Capac antipraf

Înainte de instalarea capacului antipraf, demontați burghiul de pe umeală, dacă este instalat. Instalați capacul antipraf (accesoriu opțional) pe umeală astfel încât simbolul  de pe capacul antipraf să fie aliniat la canelurile uneielnei.

► **Fig.24:** 1. Cap de înșurubat 2. Manșonul mandrinei

Pentru a demonta capacul antipraf, trageți capacul mandrinei în direcția indicată în figură, iar cu capacul mandrinei tras, demontați burghiul de pe mașină.

► **Fig.25:** 1. Accesoriu situat la baza capacului antipraf

Apoi, prindeți accesoriul de la baza capacului antipraf și scoateți-l.

► **Fig.26:** 1. Burduf 2. Accesoriu

► **Fig.27:** 1. Parte periferică interioară 2. Parte plată 3. Accesoriu 4. Capac 5. Canelură

► **Fig.28:** 1. Capac 2. Accesoriu

### NOTĂ:

- La montarea sau demontarea ansamblului de capac antipraf, partea de capac a acestuia se poate desprinde. În acest moment, procedați după cum urmează. Demontați burduful de pe accesoriu și montați capacul dinspre partea indicată în figură, cu partea plată orientată în sus, astfel încât canelura din capac să se potrivească în profilul interior al accesoriului. La final, montați burduful demontat anterior.

► **Fig.29**

### NOTĂ:

- Conectând un aspirator la ciocanul dumneavoastră puteți efectua operații mai curate. Înainte de conectare, este necesară demontarea calotei antipraf de pe capacul antipraf.



# FUNCȚIONARE

## ⚠️ ATENȚIE:

- Folosiți întotdeauna mânerul lateral (mânerul auxiliar) și țineți mașina ferm de mânerul lateral și mânerul cu comutator în timpul lucrului.

## Operația de găurire cu percuție

## ⚠️ ATENȚIE:

- Asupra mașinii/burghiului este exercitată o forță enormă în momentul în care gaura este străpunsă, dacă gaura se îndfundă cu așchii și particule, sau dacă întâlniți barele de armătură încastate în beton. Folosiți întotdeauna mânerul lateral (mânerul auxiliar) și țineți mașina ferm de mânerul lateral și mânerul cu comutator în timpul lucrului. În caz contrar, există riscul de a pierde controlul mașinii și de a suferi vătămări corporale grave.

### ► Fig.30

Reglaoi butonul rotativ de schimbare a modului de acționare la simbolul .

Poziționați burghiul în punctul de găurire dorit, apoi acționați butonul declanșator. Nu forțați mașina. Printr-o apăsare ușoară obțineți cele mai bune rezultate. Mențineți mașina în poziție și împiedicați-o să alunece din gaură.

Nu aplicați o presiune mai mare dacă gaura se îndfundă cu așchii sau particule. În schimb, lăsați mașina să funcționeze în gol și scoateți parțial burghiul din gaură. Repetând această operație de mai multe ori, gaura va fi curățată și veți putea continua găurirea normală.

**NOTĂ:** Când acționați mașina fără sarcină poate apare o rotație excentrică a burghiului. Mașina se autocentrează în timpul funcționării. Aceasta nu afectează precizia de găurire.


## Pară de suflare (accesoriu opțional)

### ► Fig.31: 1. Pară de suflare

După găurire, folosiți para de suflare pentru a curăța praful din gaură.

## Spargere/curățare/demolare

### ► Fig.32


Reglaoi butonul rotativ de schimbare a modului de acționare la simbolul .

Țineți mașina ferm cu ambele mâini. Porniți mașina și aplicați o ușoară presiune asupra acesteia astfel încât mașina să nu salte necontrolată. Presarea cu putere a mașinii nu va spori eficiența acesteia.

# Găurirea în lemn sau metal

## ⚠️ ATENȚIE:

- Nu folosiți niciodată modul de acționare "rotire cu percuție" atunci când mandrina de găurit rapidă este instalată pe mașină. Mandrina de găurit rapidă poate fi avariată. De asemenea, mandrina de găurit se va desprinde când inversați sensul de rotație al mașinii.
- Aplicarea unei forțe excesive asupra mașinii nu va grăbi operațiunea de găurire. De fapt, presiunea excesivă nu va face decât să deterioreze burghiul, scăzând performanțele mașinii și scurtând durata de viață a acesteia.
- Se exercită o forță extraordinară de presiune asupra mașinii/burghiului în momentul găuririi. Susțineți mașina cu fermitate și aveți grijă atunci când burghiul începe să penetreze piese a de lucru.
- Un burghiu blocat se poate debloca prin inversarea sensului de rotație al mașinii. Totuși, mașina poate avea un recul puternic dacă nu o susțineți cu fermitate.
- Piese mici trebuie să fie fixate cu o menghină sau cu un alt dispozitiv similar de fixare.

Reglaoi butonul rotativ de schimbare a modului de acționare la simbolul .

Puteți executa găuri cu un diametru de maxim de 13 mm în metal și un diametru maxim de 32 mm în lemn.

**Pentru modelul HR2631F, HR2641, HR2630**

► **Fig.33:** 1. Ansamblu mandrină de găurit (accesoriu opțional)

Folosiți ansamblul de mandrină de găurit (accesoriu opțional). În momentul instalării acestuia, consultați secțiunea „Instalarea sau demontarea capului de înșurubare (bit)” de pe pagina precedentă.

► **Fig.34:** 1. Cheie pentru mandrină

Pentru a monta capul de înșurubare, introduceți-l în mandrină la maxim. Strângeți manual mandrina. Poziționați cheia mandrinei în fiecare dintre cele trei orificii și strângeți în sensul orar. Aveți grijă să strângeți uniform toate cele trei găuri ale mandrinei. Pentru a îndepărta capul de înșurubat, rotiți cheia de mandrină în sens anti-orar într-o singură gaură, apoi slăbiți mandrina cu mâna.

**Pentru modelul HR2631FT, HR2320T, HR2630T**

► **Fig.35:** 1. Mandrină rapidă pentru SDS-plus 2. Linia de pe manșonul de schimbare 3. Manșon de schimbare

► **Fig.36:** 1. Arbore 2. Mandrină de găurit rapidă 3. Linia de pe manșonul de schimbare 4. Manșon de schimbare

Folosiți mandrina de găurit rapidă ca echipament standard. Pentru instalare, consultați "Schimbarea mandrinei rapide pentru SDS-plus" descrisă la pagina anterioară.

► **Fig.37:** 1. Mandrină de găurit rapidă 2. Manșon 3. Inel


Țineți inelul și roțiți mașonul în sens anti-orar pentru a deschide fălcile mandrinei. Introduceți capul de înșurubat în mandrină până când se oprește. Țineți ferm inelul și roțiți mașonul în sens orar pentru a strânge mandrina.

Pentru a îndepărta capul de înșurubat, țineți inelul și roțiți mașonul în sens anti-orar.

## Găurirea cu burghiu de centrare diamantat

### ⚠ATENȚIE:

- Dacă executați operații de găurire cu un burghiu de centrare diamantat folosind modul "rotire cu percuție", burghiul de centrare diamantat poate fi avariat.

Când executați operații de găurire cu un burghiu de centrare diamantat, reglați întotdeauna pârghia de schimbare a modului de acționare în poziția  pentru a folosi modul "rotire simplă".

## Operarea la utilizarea capacului antipraf (accesoriu opțional)

### ► Fig.38: 1. Capac antipraf

Operați mașina cu capacul antipraf sprijinit de suprafața tavanului.

### NOTĂ:

- Capacul antipraf (accesoriu opțional) este destinat numai găuririi în piese de prelucrat ceramice, precum beton și mortar. Nu utilizați unealta cu capacul antipraf când găuriți metal sau materiale similare. Utilizarea capacului antipraf la găurirea în metal poate deteriora capacul antipraf, datorită căldurii degajate de praful format din micile particule metalice sau din materiale similare.
- Goliciți capacul antipraf înainte de a demonta burghiul.
- Când utilizați capacul antipraf, asigurați-vă că acesta este montat în condiții de siguranță.

## ÎNȚREȚINERE

### ⚠ATENȚIE:

- Asigurați-vă că ați oprit mașina și că ați debransat-o de la rețea înainte de a efectua operațiuni de verificare sau întreținere.
- Nu utilizați niciodată gazolină, benzină, diluant, alcool sau alte substanțe asemănătoare. În caz contrar, pot rezulta decolorări, deformări sau fisuri.

Pentru a menține SIGURANȚA și FIABILITATEA mașinii, reparațiile, schimbarea și verificarea periiilor de carbon, precum și orice alte operațiuni de întreținere sau reglare trebuie să fie efectuate numai la Centrele de service autorizat Makita, folosindu-se piese de schimb Makita.

## ACCESORII OPȚIONALE

### ⚠ATENȚIE:

- Folosiți accesoriile sau piesele auxiliare recomandate pentru mașina dumneavoastră în acest manual. Utilizarea oricăror alte accesorii sau piese auxiliare poate cauza vătămări. Folosiți accesoriile pentru operațiunea pentru care au fost concepute.

Dacă aveți nevoie de asistență sau de mai multe detalii referitoare la aceste accesorii, adresați-vă centrului local de service Makita.

- Burghie cu plăcuțe de carburi metalice SDS-Plus
- Burghiu de centrare
- Daltă șpiț
- Burghiu de centrare diamantat
- Daltă îngustă
- Daltă lată
- Daltă de canelat
- Ansamblu mandrină de găurit
- Mandrină de găurit S13
- Adaptor mandrină
- Cheie de mandrină S13
- Unsoare pentru burghie
- Mâner lateral
- Profundorul
- Pară de suflare
- Capac antipraf
- Ochelari de protecție
- Cutia de plastic pentru transport
- Mașină de găurit cu mandrină fără cheie

### NOTĂ:

- Unele articole din listă pot fi incluse ca accesorii standard în ambalajul de scule. Acestea pot diferi în funcție de țară.

# TECHNISCHE DATEN

Modell		HR2631F	HR2631FT	HR2641	HR2320T	HR2630	HR2630T
Leistungen	Beton	26 mm			23 mm	26 mm	
	Bohrkrone	68 mm					
	Diamantbohrkrone (Trockentyp)	80 mm			70 mm	80 mm	
	Stahl	13 mm					
	Holz	32 mm					
Leerlaufdrehzahl		0 - 1.200 min <sup>-1</sup>		0 - 1.100 min <sup>-1</sup>	0 - 1.200 min <sup>-1</sup>		
Schläge pro Minute		0 - 4.600 min <sup>-1</sup>		0 - 4.500 min <sup>-1</sup>	0 - 4.600 min <sup>-1</sup>		
Gesamtlänge		361 mm	385 mm	422 mm	380 mm	361 mm	385 mm
Netto-Gewicht		2,9 kg	3,1 kg		2,9 kg	2,8 kg	3,0 kg
Sicherheitsklasse		II/III					

- Aufgrund der laufenden Forschung und Entwicklung unterliegen die hier aufgeführten technischen Daten Veränderungen ohne Hinweis.
- Die technischen Daten können für verschiedene Länder unterschiedlich sein.
- Gewicht entsprechend der EPTA-Vorgehensweise 01/2003

## Verwendungszweck

Das Werkzeug wurde für das Schlagbohren und Bohren in Ziegel, Beton und Stein entwickelt. Es eignet sich auch für schlagloses Bohren in Holz, Metall, Keramik und Kunststoff.

## Stromversorgung

Das Werkzeug darf ausschließlich an Einphasen-Wechselstrom mit der auf dem Typenschild angegebenen Spannung angeschlossen werden. Das Werkzeug verfügt über ein doppelt isoliertes Gehäuse und kann daher auch an einer Stromversorgung ohne Schutzkontakt betrieben werden.

## Geräuschpegel

Die typischen A-bewerteten Geräuschpegel, bestimmt gemäß EN60745:

### Modell HR2631F, HR2631FT, HR2641

Schalldruckpegel ( $L_{pA}$ ): 90 dB (A)  
Schalleistungspegel ( $L_{WA}$ ): 101 dB (A)  
Abweichung (K): 3 dB (A)

### Modell HR2320T, HR2630, HR2630T

Schalldruckpegel ( $L_{pA}$ ): 91 dB (A)  
Schalleistungspegel ( $L_{WA}$ ): 102 dB (A)  
Abweichung (K): 3 dB (A)

### Tragen Sie Gehörschutz

## Schwingung

Schwingungsgesamtwerte (Vektorsumme dreier Achsen) nach EN60745:

### Modell HR2631F

Arbeitsmodus: Schlagbohren in Beton  
Schwingungsbelastung ( $a_{h,HD}$ ): 12,0 m/s<sup>2</sup>  
Abweichung (K): 1,5 m/s<sup>2</sup>  
Arbeitsmodus: Meißelarbeiten mit Seitengriff  
Schwingungsbelastung ( $a_{h,ChEq}$ ): 9,0 m/s<sup>2</sup>  
Abweichung (K): 1,5 m/s<sup>2</sup>

Arbeitsmodus: bohren in Metall

Schwingungsbelastung ( $a_{h,D}$ ): 2,5 m/s<sup>2</sup> oder weniger

Abweichung (K): 1,5 m/s<sup>2</sup>

### Modell HR2631FT

Arbeitsmodus: Schlagbohren in Beton

Schwingungsbelastung ( $a_{h,HD}$ ): 11,5 m/s<sup>2</sup>

Abweichung (K): 1,5 m/s<sup>2</sup>

Arbeitsmodus: Meißelarbeiten mit Seitengriff

Schwingungsbelastung ( $a_{h,ChEq}$ ): 8,5 m/s<sup>2</sup>

Abweichung (K): 1,5 m/s<sup>2</sup>

Arbeitsmodus: bohren in Metall

Schwingungsbelastung ( $a_{h,D}$ ): 2,5 m/s<sup>2</sup> oder weniger

Abweichung (K): 1,5 m/s<sup>2</sup>

### Modell HR2641

Arbeitsmodus: Schlagbohren in Beton

Schwingungsbelastung ( $a_{h,HD}$ ): 11,5 m/s<sup>2</sup>

Abweichung (K): 1,5 m/s<sup>2</sup>

Arbeitsmodus: Meißelarbeiten mit Seitengriff

Schwingungsbelastung ( $a_{h,ChEq}$ ): 9,0 m/s<sup>2</sup>

Abweichung (K): 1,5 m/s<sup>2</sup>

Arbeitsmodus: bohren in Metall

Schwingungsbelastung ( $a_{h,D}$ ): 2,5 m/s<sup>2</sup>

Abweichung (K): 1,5 m/s<sup>2</sup>

### Modell HR2320T

Arbeitsmodus: Schlagbohren in Beton

Schwingungsbelastung ( $a_{h,HD}$ ): 15,5 m/s<sup>2</sup>

Abweichung (K): 1,5 m/s<sup>2</sup>

Arbeitsmodus: Meißelarbeiten mit Seitengriff

Schwingungsbelastung ( $a_{h,ChEq}$ ): 10,5 m/s<sup>2</sup>

Abweichung (K): 1,5 m/s<sup>2</sup>

Arbeitsmodus: bohren in Metall

Schwingungsbelastung ( $a_{h,D}$ ): 2,5 m/s<sup>2</sup> oder weniger

Abweichung (K): 1,5 m/s<sup>2</sup>



Yasushi Fukaya  
Direktor

Makita, Jan-Baptist Vinkstraat 2, 3070, Belgien

### Modell HR2630

Arbeitsmodus: Schlagbohren in Beton  
Schwingsbelastung ( $a_{h,HD}$ ): 15,5 m/s<sup>2</sup>  
Abweichung (K): 1,5 m/s<sup>2</sup>  
Arbeitsmodus: Meißelarbeiten mit Seitengriff  
Schwingsbelastung ( $a_{h,CHeg}$ ): 9,5 m/s<sup>2</sup>  
Abweichung (K): 1,5 m/s<sup>2</sup>  
Arbeitsmodus: bohren in Metall  
Schwingsbelastung ( $a_{h,D}$ ): 2,5 m/s<sup>2</sup>  
Abweichung (K): 1,5 m/s<sup>2</sup>

### Modell HR2630T

Arbeitsmodus: Schlagbohren in Beton  
Schwingsbelastung ( $a_{h,HD}$ ): 15,0 m/s<sup>2</sup>  
Abweichung (K): 1,5 m/s<sup>2</sup>  
Arbeitsmodus: Meißelarbeiten mit Seitengriff  
Schwingsbelastung ( $a_{h,CHeg}$ ): 9,5 m/s<sup>2</sup>  
Abweichung (K): 1,5 m/s<sup>2</sup>  
Arbeitsmodus: bohren in Metall  
Schwingsbelastung ( $a_{h,D}$ ): 2,5 m/s<sup>2</sup> oder weniger  
Abweichung (K): 1,5 m/s<sup>2</sup>

**HINWEIS:** Die deklarierte Schwingsbelastung wurde gemäß der Standardtestmethode gemessen und kann für den Vergleich von Werkzeugen untereinander verwendet werden.

**HINWEIS:** Die deklarierte Schwingsbelastung kann auch in einer vorläufigen Bewertung der Gefährdung verwendet werden.

**⚠️ WARNUNG:** Die Schwingsbelastung während der tatsächlichen Anwendung des Elektrowerkzeugs kann in Abhängigkeit von der Art und Weise der Verwendung des Werkzeugs vom deklarierten Belastungswert abweichen.

**⚠️ WARNUNG:** Stellen Sie sicher, dass Schutzmaßnahmen für den Bediener getroffen werden, die auf den unter den tatsächlichen Arbeitsbedingungen zu erwartenden Belastungen beruhen (beziehen Sie alle Bestandteile des Arbeitsablaufs ein, also zusätzlich zu den Arbeitszeiten auch Zeiten, in denen das Werkzeug ausgeschaltet ist oder ohne Last läuft).

## Nur für europäische Länder

## EG-Konformitätserklärung

Makita erklärt, dass die nachfolgende(n)

**Maschine(n):**

Bezeichnung der Maschine(n):

Kombi-Hammer

Modellnr./ -typ: HR2631F, HR2631FT, HR2641,

HR2320T, HR2630, HR2630T

**Den folgenden EG-Richtlinien entspricht:**

2006/42/EC

Sie werden gemäß den folgenden Standards oder Normen gefertigt:

EN60745

Die technischen Unterlagen gemäß 2006/42/EG sind erhältlich von:

Makita, Jan-Baptist Vinkstraat 2, 3070, Belgien

## Allgemeine Sicherheitshinweise für Elektrowerkzeuge

**⚠️ WARNUNG Lesen Sie alle Sicherheitswarnungen und -anweisungen sorgfältig durch.** Werden die Warnungen und Anweisungen ignoriert, besteht die Gefahr eines Stromschlags, Brands und/oder schweren Verletzungen.

**Bewahren Sie alle Warnhinweise und Anweisungen zur späteren Referenz gut auf.**

## SICHERHEITSGESAMTREGELN FÜR BOHRHAMMER

- 1. Tragen Sie einen Gehörschutz.** Wenn Sie Lärm ausgesetzt sind, können Sie einen Hörverlust erleiden.
- 2. Verwenden Sie die mit dem Werkzeug gelieferten Zusatzgriffe.** Ein Verlust der Kontrolle über das Werkzeug kann zu Verletzungen führen.
- 3. Halten Sie das Elektrowerkzeug an den isolierten Griffflächen, wenn Sie unter Bedingungen arbeiten, bei denen das Schneidwerkzeug verborgene Verkabelung oder das eigene Kabel berühren kann.** Bei Kontakt des Schneidwerkzeugs mit einem stromführenden Kabel wird der Strom an die Metallteile des Elektrowerkzeugs und dadurch an den Bediener weitergeleitet, und der Bediener erleidet einen Stromschlag.
- 4. Tragen Sie einen Sicherheitshelm, Sicherheitsgläser und/oder Gesichtsschutz. Bei gewöhnlichen Brillen und Sonnenbrillen handelt es sich NICHT um Sicherheitsgläser. Auch das Tragen dick gefütterter Handschuhe und einer Staubmaske wird empfohlen.**
- 5. Überprüfen Sie vor der Inbetriebnahme, ob der Einsatz fest sitzt.**
- 6. Unter normalen Betriebsbedingungen erzeugt das Werkzeug Vibrationen. Hierdurch können sich Schrauben lösen, was zu Aus- und Unfällen führen kann. Überprüfen Sie vor der Arbeit sorgsam den Sitz der Schrauben.**
- 7. Bei kaltem Wetter oder wenn das Werkzeug längere Zeit nicht benutzt wurde, lassen Sie das Gerät eine Zeit lang ohne Last warm laufen. Hierdurch wird die Schmierung gelockert. Ohne ordentliches Aufwärmen ist der Schlagbetrieb schwierig.**
- 8. Achten Sie darauf, dass Sie immer einen festen Stand haben. Wenn Sie in der Höhe arbeiten, achten Sie darauf, dass sich unter Ihnen niemand aufhält.**
- 9. Halten Sie das Werkzeug mit beiden Händen fest.**

10. Halten Sie Ihre Hände von beweglichen Teilen fern.
11. Lassen Sie das Werkzeug nicht unbeaufsichtigt laufen. Arbeiten Sie nur mit ihm, wenn Sie es in der Hand halten.
12. Zeigen Sie mit dem Werkzeug während des Betriebs nicht auf Personen in Ihrer Umgebung. Der Einsatz könnte sich lösen und zu schweren Verletzungen führen.
13. Berühren Sie kurz nach dem Betrieb nicht den Einsatz oder ihm nahe liegende Teile. Diese können extrem heiß sein und zu Verbrennungen führen.
14. Manche Materialien enthalten Chemikalien, die giftig sein können. Geben Sie Acht, dass Sie diese nicht einatmen oder berühren. Lesen Sie die Material-Sicherheitsblätter des Lieferers.

## BEWAHREN SIE DIESE ANWEISUNGEN AUF.

**⚠️ WARNUNG:** Lassen Sie sich NIE durch Bequemlichkeit oder (aus fortwährendem Gebrauch gewonnener) Vertrautheit mit dem Werkzeug dazu verleiten, die Sicherheitsregeln für das Werkzeug zu missachten. Bei **MISSBRÄUCLICHER** Verwendung des Werkzeugs oder Missachtung der in diesem Handbuch enthaltenen Sicherheitshinweise kann es zu schweren Verletzungen kommen.

## FUNKTIONSBESCHREIBUNG

### ⚠️ VORSICHT:

- Überzeugen Sie sich immer vor dem Einstellen des Werkzeugs oder der Kontrolle seiner Funktion, dass es abgeschaltet und der Stecker aus der Dose gezogen ist.

### Einschalten

### ⚠️ VORSICHT:

- Achten Sie vor dem Einstecken des Netzsteckers des Werkzeugs in die Steckdose darauf, dass sich der Ein/Aus-Schalter korrekt bedienen lässt und beim Loslassen in die Position "OFF" (AUS) zurückkehrt.

► **Abb.1:** 1. Griffschalter 2. Blockierungstaste

► **Abb.2:** 1. Griffschalter 2. Blockierungstaste

Betätigen Sie zum Starten des Werkzeugs einfach den Ein/Aus-Schalter. Die Drehzahl des Werkzeugs wird durch größeren Druck auf den Ein/Aus-Schalter erhöht. Zum Stoppen der Maschine lassen Sie den Auslöseschalter los. Zum Einschalten des Dauerbetriebs betätigen Sie den Ein/Aus-Schalter und drücken Sie dann die Arretiertaste hinein. Ziehen Sie zum Ausschalten des Werkzeugs in der gesperrten Position den Auslöseschalter voll und lassen Sie ihn dann los.

## Anschalten der Lampe

Für Modell HR2631F, HR2631FT

### ⚠️ VORSICHT:

- Schauen Sie nicht direkt ins Licht oder die Lichtquelle.

► **Abb.3:** 1. Lampe

Ziehen Sie zum Einschalten der Lampe den Auslöser. Lassen Sie den Auslöser los, um sie auszuschalten.

### HINWEIS:

- Verwenden Sie für das Abwischen der Unreinheiten von der Lichtlinse einen trockenen Lappen. Achten Sie darauf, dass Sie die Lichtlinse nicht zerkratzen, dadurch kann ihre Leuchtkraft verringert werden.
- Verwenden Sie weder Verdünnung noch Benzin zum Reinigen der Lampe. Sie kann durch diese Lösungsmittel beschädigt werden.

## Umschalten der Drehrichtung

### ⚠️ VORSICHT:

- Überprüfen Sie vor jedem Betrieb immer die Drehrichtung.
- Der Umschalter darf nur betätigt werden, wenn das Werkzeug ganz angehalten wurde. Wenn Sie die Drehrichtung ändern, solange das Werkzeug noch läuft, kann es beschädigt werden.

Für Modell HR2631F, HR2631FT, HR2320T, HR2630, HR2630T

### ⚠️ VORSICHT:

- Lässt sich der Auslöseschalter nicht drücken, so überprüfen Sie, ob der Umschalter korrekt auf die Stellung ◁ (Seite A) beziehungsweise ▷ (Seite B) eingestellt ist.

► **Abb.4:** 1. Umschalthebel der Drehrichtung

Dieses Werkzeug verfügt über einen Umschalter, mit dem die Drehrichtung geändert werden kann. Stellen Sie für eine Drehbewegung im Uhrzeigersinn den Umschalthebel in die Stellung ◁ (Seite A) und für eine Drehbewegung gegen den Uhrzeigersinn in die Stellung ▷ (Seite B).

Für Modell HR2641

► **Abb.5:** 1. Umschalthebel der Drehrichtung

### HINWEIS:

- Wenn Sie das Werkzeug gegen den Uhrzeigersinn laufen lassen, kann der Auslöseschalter nur halb gezogen werden, und das Werkzeug läuft mit halber Geschwindigkeit. Bei Drehrichtung gegen den Uhrzeigersinn lässt sich die Arretiertaste nicht verwenden.

Dieses Werkzeug verfügt über einen Umschalter für die Änderung der Drehrichtung. Stellen Sie für eine Drehbewegung im Uhrzeigersinn den Umschalthebel in die Stellung ◁ (Seite A) und für eine Drehbewegung gegen den Uhrzeigersinn in die Stellung ▷ (Seite B).

## Wechseln des Schnellwechselfutters für SDS-Plus



Für Modell HR2631FT, HR2320T, HR2630T  
Das Schnellwechselfutter für SDS-Plus kann auf einfache Weise gegen das Schnellwechselbohrfutter ausgetauscht werden.

## Entfernen des Schnellwechselfutters für SDS-Plus

### ⚠ VORSICHT:



- Entfernen Sie stets den Einsatz, bevor Sie das Schnellwechselfutter für SDS-Plus abmontieren.

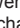
- **Abb.6:** 1. Schnellwechselfutter für SDS-Plus  
2. Markierung der Wechselhülse  
3. Wechselhülse

Drehen Sie die Wechselhülse des Schnellwechselfutters für SDS-Plus in Pfeilrichtung, bis ihre Markierung vom Symbol  auf das Symbol  springt. Üben Sie einen kräftigen Zug in Pfeilrichtung aus.

## Anbringen des Schnellwechselbohrfutters

- **Abb.7:** 1. Spindel 2. Schnellwechselbohrfutter  
3. Markierung der Wechselhülse  
4. Wechselhülse

Vergewissern Sie sich, dass die Markierung des Schnellwechselbohrfutters auf dem Symbol  steht. Nehmen Sie die Wechselhülse des Schnellwechselbohrfutters in die Hand, und stellen Sie die Markierung auf das Symbol . Setzen Sie das Schnellwechselbohrfutter auf die Spindel des Werkzeugs.

Drehen Sie die Wechselhülse des Schnellwechselbohrfutters, bis ihre Markierung auf dem Symbol  steht und das Futter mit einem deutlichen Klick einrastet.


## Auswahl der Aktionsbetriebsart

### ⚠ VORSICHT:

- Der Drehknopf zum Wechsel der Aktionsbetriebsart darf nicht betätigt werden, solange das Werkzeug läuft. Andernfalls wird das Werkzeug beschädigt.
- Zur Vermeidung eines vorzeitigen Verschleißes des Mechanismus zum Wechsel der Betriebsart müssen Sie darauf achten, dass der Drehknopf zum Wechsel der Aktionsbetriebsart immer richtig an einer der drei Positionen der Aktionsbetriebsart sitzt.


## Schlagbohren

- **Abb.8:** 1. Schlagbohren 2. Drehknopf zum Wechsel der Aktionsbetriebsart

Drehen Sie für Bohrarbeiten in Beton, Mauerwerk usw. den Drehknopf zum Wechsel der Aktionsbetriebsart auf das Symbol . Verwenden Sie einen Einsatz mit einer Hartmetallspitze.


## Drehbohren

- **Abb.9:** 1. Drehbohren

Drehen Sie für Bohrarbeiten in Holz, Metall oder Kunststoff den Drehknopf zum Wechseln der Aktionsbetriebsart auf das Symbol . Verwenden Sie einen Spiral- oder Holzbohrer.

## Nur Schlag

- **Abb.10:** 1. Nur Schlag

Drehen Sie zum Splintern, Abblättern oder für Abbrucharbeiten den Drehknopf zum Wechsel der Aktionsbetriebsart auf das Symbol . Verwenden Sie einen Punkthammer, Kaltmeißel, Verzunderungsmeißel usw.

## Drehmomentbegrenzung

### ⚠ VORSICHT:

- Wenn sich die Drehmomentbegrenzung einschaltet, muss das Werkzeug sofort ausgeschaltet werden. Auf diese Weise wird ein vorzeitiger Verschleiß des Werkzeugs vermieden.
- Einsätze wie beispielsweise Lochsagen, die sich leicht verkanten oder in der Bohrung hängen bleiben, eignen sich nicht für dieses Werkzeug. Dies führt zu einem übermäßigen Einsatz der Drehmomentbegrenzung.

Die Drehmomentbegrenzung schaltet sich ein, wenn eine bestimmte Drehmomentstufe erreicht ist. Der Motor wird von der Antriebswelle ausgekuppelt. In diesem Fall kommt der Einsatz zum Stillstand.

## Haken

Für Modell HR2641

### ⚠ VORSICHT:

- Haken Sie das Werkzeug niemals an erhöhten Orten oder an einer instabilen Oberfläche ein.

- **Abb.11:** 1. Haken

Der Haken ist nützlich, wenn Sie das Werkzeug kurzzeitig aufhängen möchten. Zur Verwendung des Hakens klappen Sie diesen nach oben, bis er in der geöffneten Position einrastet.

Klappen Sie den Hebel bei Nichtgebrauch nach unten, bis er in der geschlossenen Position einrastet.

## MONTAGE

### ⚠ VORSICHT:

- Ehe Sie am Werkzeug irgendeine Arbeiten beginnen, überzeugen Sie sich immer vorher, dass es abgeschaltet und der Stecker aus der Dose gezogen ist.

## Seitengriff (Zusatzgriff)

- **Abb.12:** 1. Nasen 2. Nuten



## **⚠ VORSICHT:**

- Verwenden Sie stets den Seitengriff, um die Betriebssicherheit zu gewährleisten.

Bauen Sie den Seitengriff so an, dass die Vorsprünge an der Grifffläche zwischen die Rillen an der Werkzeughülse passen. Ziehen Sie anschließend den Griff an, indem Sie ihn an der gewünschten Position im Uhrzeigersinn drehen. Der Griff kann um 360° gedreht werden und somit in jeder beliebigen Position befestigt werden.

## **Bohrer-/Meißelfett**

Schmieren Sie den Aufnahmeschaftkopf im Vorfeld mit etwas Bohrerfett (ca. 0,5 - 1 g).

Diese Schmierung des Bohrfutters garantiert einen reibungslosen Betrieb und eine längere Lebensdauer.

## **Montage und Demontage des Einsatzes**

► **Abb.13:** 1. Aufnahmeschaft 2. Bohrer-/Meißelfett

Reinigen Sie den Aufnahmeschaft, und schmieren Sie ihn vor der Montage des Einsatzes mit ein wenig Fett.

► **Abb.14:** 1. Einsatz

Montieren Sie den Einsatz am Werkzeug. Drehen Sie den Einsatz und drücken Sie ihn hinein, bis er einrastet. Überprüfen Sie nach der Montage stets, ob der Einsatz einwandfrei sitzt, indem Sie versuchen, ihn herausziehen.

► **Abb.15:** 1. Einsatz 2. Werkzeugverriegelung

Ziehen Sie die Werkzeugverriegelung zum Entfernen des Einsatzes ganz nach unten, und ziehen Sie den Einsatz heraus.

## **Winkel des Einsatzes (beim Splittern, Abblättern oder Abbruch)**

► **Abb.16:** 1. Drehknopf zum Wechsel der Aktionsbetriebsart

Der Einsatz kann im gewünschten Winkel gesichert werden. Drehen Sie zur Änderung des Einsatzwinkels den Drehknopf zum Wechsel der Aktionsbetriebsart auf das Symbol **O**. Drehen Sie den Einsatz bis zum gewünschten Winkel.

► **Abb.17**

Drehen Sie den Drehknopf zum Wechsel der Aktionsbetriebsart auf das Symbol **∩**. Überprüfen Sie anschließend durch leichtes Drehen am Einsatz, ob er fest sitzt.

## **Tiefenlehre**

Der Tiefenanschlag ist beim Bohren von Löchern mit einer einheitlichen Bohrtiefe hilfreich.

► **Abb.18:** 1. Grifffläche 2. Blockierungstaste 3. Tiefenlehre

Drücken Sie die Verriegelungstaste an der Griffhalterung in Richtung des abgebildeten Pfeils und setzen Sie den Tiefenanschlag bei gedrückter Verriegelungstaste in die Inbusöffnung in der Griffhalterung ein.

► **Abb.19:** 1. Gezahnte Seite der Inbusöffnung an der Griffhalterung 2. Gezahnte Seite der Tiefenlehre

Der Tiefenanschlag muss jetzt so eingesetzt werden, dass die gezahnte Seite zur gezahnten Seite der Inbusöffnung an der Griffhalterung zeigt (siehe Abbildung).

► **Abb.20:** 1. Blockierungstaste

Stellen Sie den Tiefenanschlag auf die gewünschte Tiefe ein, indem Sie ihn zurück- und vorschieben, während Sie die Verriegelungstaste drücken. Lassen Sie nach der Einstellung die Verriegelungstaste los, um den Tiefenanschlag zu verriegeln.

► **Abb.21:** 1. Gezahnte Seite der Inbusöffnung an der Griffhalterung 2. Gezahnte Seite der Tiefenlehre

## **HINWEIS:**

- Wird der Tiefenanschlag mit der gezahnten Seite zur nicht gezahnten Seite der Inbusöffnung an der Griffhalterung eingesetzt, wird der Tiefenanschlag nicht verriegelt.

## **Staubschutzkappe (optionales Zubehör)**

► **Abb.22:** 1. Staubschutzkappe

Verwenden Sie bei Überkopfbohrarbeiten die Staubschutzkappe, damit kein Staub auf das Werkzeug oder Sie selbst fällt. Befestigen Sie die Staubschutzkappe wie in der Abbildung dargestellt auf dem Einsatz. Die Staubschutzkappe kann für folgende Bohreinsatzgrößen verwendet werden.

	Einsatzdurchmesser
Staubschutzkappe 5	6 mm - 14,5 mm
Staubschutzkappe 9	12 mm - 16 mm

Es gibt einen weiteren Staubschutzkappentyp (optionales Zubehör), damit bei Überkopfbohrarbeiten kein Staub auf das Werkzeug oder Sie selbst fällt.

## **Montieren oder Entfernen der Staubschutzkappe (optionales Zubehör)**

► **Abb.23:** 1.  $\Delta$ -Symbol 2. Nuten 3. Staubschutzkappe

Entfernen Sie vor dem Anbringen der Staubschutzkappe ggf. den Einsatz aus dem Werkzeug. Bringen Sie die Staubschutzkappe (optionales Zubehör) so am Werkzeug an, dass das  $\Delta$ -Symbol an der Staubschutzkappe an den Kerben am Werkzeug ausgerichtet ist.

► **Abb.24:** 1. Einsatz 2. Werkzeugverriegelung

Zum Ausbauen der Staubschutzkappe ziehen Sie das Spannfutter in die abgebildete Richtung und nehmen Sie den Einsatz bei gezogenem Spannfutter aus dem Werkzeug.

► **Abb.25:** 1. Zubehör am Fuß der Staubkappe

Fassen Sie anschließend das Zusatzteil am Fuß der Staubschutzkappe und nehmen Sie sie heraus.

► **Abb.26:** 1. Federbalg 2. Zubehör

► **Abb.27:** 1. Innenseite 2. Flache Seite 3. Zubehör 4. Kappe 5. Rille

► **Abb.28:** 1. Kappe 2. Zubehör

#### HINWEIS:

- Beim Anbringen oder Ausbauen der Staubschutzkappe kann die Staubschutzkappe von der Staubschutzkappe abfallen. Gehen Sie hierzu wie folgt vor: Entfernen Sie den Federbalg vom Zubehörteil von der in der Abbildung dargestellten Seite und bringen Sie die Schutzkappe mit der flachen Seite nach oben an, sodass die Kerbe in der Schutzkappe in den Innendurchmesser des Zubehörs einrastet. Bringen Sie abschließend den ausgebauten Federbalg an.

#### ► Abb.29

#### HINWEIS:

- Wenn Sie einen Staubsauger an Ihren Hammer anschließen, können Sie sauberer arbeiten. Vor Anschluss müssen Sie die Staubschutzkappe von der Staubbox nehmen.

## ARBEIT

#### ⚠ VORSICHT:


- Verwenden Sie stets den Seitengriff (Zusatzgriff) und halten Sie während der Arbeit das Werkzeug am Seitengriff und am Schaltergriff fest.

## Schlagbohrbetrieb

#### ⚠ VORSICHT:

- Beim Lochdurchschlag, wenn die Bohrung durch Holzspäne und -partikel verstopft ist oder wenn das Werkzeug auf Verstärkungsstangen im Beton trifft, wirken enorme und abrupte Drehkräfte auf das Werkzeug bzw. den Einsatz. Verwenden Sie stets den Seitengriff (Zusatzgriff) und halten Sie während der Arbeit das Werkzeug am Seitengriff und am Schaltergriff fest. Ansonsten kann es sein, dass Sie die Kontrolle über das Werkzeug verlieren und sich schwer verletzen.

#### ► Abb.30

Stellen Sie den Drehknopf zum Wechsel der Aktionsbetriebsart auf das Symbol .

Setzen Sie den Einsatz auf die gewünschte Position für die Bohrung, und betätigen Sie dann den Ein/Aus-Schalter. Üben Sie keinen übermäßigen Druck auf das Werkzeug aus. Wenn Sie nur leichten Druck ausüben, erzielen Sie die besten Ergebnisse. Halten Sie das Werkzeug in Position, und achten Sie darauf, dass es nicht von der Bohrung abrutscht.

Verstärken Sie den Druck nicht, wenn die Bohrung durch Holzspäne oder -partikel verstopft ist. Führen Sie stattdessen das Werkzeug im Leerlauf aus, und entfernen Sie dann den Einsatz teilweise aus der Bohrung. Wenn Sie diesen Vorgang mehrmals wiederholen, wird die Bohrung gesäubert, und Sie können den normalen Bohrvorgang fortsetzen.

**HINWEIS:** Es kann zu einer Rundlaufabweichung in der Bohrdrehung kommen, wenn das Werkzeug mit Nulllast betrieben wird. Während des Betriebs zentriert sich das Werkzeug automatisch. Dies hat keinen Einfluss auf die Bohrgenauigkeit.


## Ausblasvorrichtung (optionales Zubehör)

#### ► Abb.31: 1. Ausblasvorrichtung

Wenn Sie das Loch gebohrt haben, entfernen Sie mit Hilfe der Ausblasvorrichtung den Staub aus der Bohrung.

## Splittern/Abblättern/Abbruch

#### ► Abb.32


Stellen Sie den Drehknopf zum Wechsel der Aktionsbetriebsart auf das Symbol .

Halten Sie das Werkzeug mit beiden Händen fest. Schalten Sie das Werkzeug ein und üben Sie leichten Druck darauf aus, so dass es nicht unkontrolliert herumspringt. Ein stärkerer Druck auf das Werkzeug erhöht nicht dessen Wirkungsgrad.

## Bohren in Holz oder Metall

#### ⚠ VORSICHT:

- Wenn das Schnellwechselbohrfutter am Werkzeug montiert ist, darf auf keinen Fall die Betriebsart "Schlagbohren" verwendet werden. Das Schnellwechselbohrfutter kann beschädigt werden. Darüber hinaus kann sich das Bohrfutter bei Linkslauf des Werkzeugs lösen.
- Sie beschleunigen das Bohren nicht durch übermäßigen Druck auf das Werkzeug. In Wirklichkeit führt dieser übermäßige Druck nur zur Beschädigung der Spitze Ihres Bohrers, zur Verminderung der Wirksamkeit des Werkzeugs und zur Verkürzung seiner Lebensdauer.
- In dem Augenblick, in dem der Bohrer in das Material eindringt, wirken auf das Werkzeug und den Bohrer enorme Kräfte. Halten Sie das Werkzeug fest und achten Sie darauf, wenn der Bohrer in das zu bohrende Teil einzudringen beginnt.
- Ein festgefressener Bohrer kann einfach durch Umschalten des Drehrichtungsumschalters in die entgegengesetzte Position befreit werden. Wenn Sie jedoch das Werkzeug nicht festhalten, kann es unerwartet herausspringen.
- Spannen Sie kleine Werkstücke immer in einem Schraubstock oder einer ähnlichen Haltevorrichtung ein.

Stellen Sie den Drehknopf zum Wechsel der Aktionsbetriebsart auf das Symbol .

Der maximale Bohrdurchmesser beträgt 13 mm bei Metall und 32 mm bei Holz.

**Für Modell** HR2631F, HR2641, HR2630

#### ► Abb.33: 1. Bohrfuttersatz (optionales Zubehör)

Verwenden des Bohrfuttersatzes (optionales Zubehör). Lesen Sie zu dessen Montage den Abschnitt „Montage und Demontage des Einsatzes“ auf der vorherigen Seite.



### ► **Abb.34:** 1. Spannutterschlüssel

Um den Einsatz zu montieren, schieben Sie diesen so weit wie möglich in das Spannfutter. Ziehen Sie das Spannfutter von Hand an. Setzen Sie den Spannutterschlüssel in jedes der drei Löcher, und ziehen Sie das Spannfutter im Uhrzeigersinn an. Achten Sie darauf, alle drei Spannutterlöcher gleichmäßig anzuziehen. Um den Einsatz zu entfernen, drehen Sie den Spannutterschlüssel gegen den Uhrzeigersinn in nur einem Loch, und lösen Sie anschließend das Spannfutter von Hand.

Für Modell HR2631FT, HR2320T, HR2630T

- **Abb.35:** 1. Schnellwechselfutter für SDS-Plus  
2. Markierung der Wechselhülse  
3. Wechselhülse

- **Abb.36:** 1. Spindel 2. Schnellwechselbohrfutter  
3. Markierung der Wechselhülse  
4. Wechselhülse

Verwenden Sie das Schnellwechselbohrfutter als Standardausrüstung. Lesen Sie zu dessen Montage den Abschnitt "Wechseln des Schnellwechselfutters für SDS-Plus" auf der vorherigen Seite.


- **Abb.37:** 1. Schnellwechselbohrfutter 2. Muffe  
3. Ring

Halten Sie den Ring fest, und drehen Sie den Kranz gegen den Uhrzeigersinn, um die Spannfutterbacken zu öffnen. Schieben Sie den Einsatz so weit wie möglich in das Spannfutter. Halten Sie den Ring fest, und drehen Sie den Kranz im Uhrzeigersinn, um das Spannfutter anzuziehen. Wenn Sie den Einsatz herausnehmen möchten, halten Sie den Ring fest und drehen Sie den Kranz gegen den Uhrzeigersinn.

## Diamantkernbohren

### **⚠ VORSICHT:**

- Ist beim Diamantkernbohren hingegen die Betriebsart "Schlagbohren" eingestellt, kann die Diamantbohrkrone gegebenenfalls beschädigt werden.

Stellen Sie den Umschalthebel beim Diamantkernbohren immer auf die Position  ein, um die Betriebsart "Drehbohren" zu verwenden.

## Betrieb mit Staubschutzkappe (optionales Zubehör)

- **Abb.38:** 1. Staubschutzkappe

Betreiben Sie das Werkzeug mit der Staubschutzkappe gegen die Decke.

### **HINWEIS:**

- Die Staubschutzkappe (optionales Zubehör) ist nur für das Bohren in keramische Industriematerialien, wie Beton oder Mörtel, vorgesehen. Verwenden Sie das Werkzeug mit der Staubschutzkappe nicht für das Bohren in Metall oder ähnliches. Wird die Staubschutzkappe beim Bohren in Metall verwendet, kann die Staubschutzkappe durch die Wärme der kleinen Metallsplitter und ähnlichen Rückständen beschädigt werden.
- Leeren Sie die Staubkappe, bevor Sie einen Bohreinsatz entfernen.
- Stellen Sie bei Verwendung der Staubkappe sicher, dass die Staubbox sicher befestigt ist.

## WARTUNG

### **⚠ VORSICHT:**

- Bevor Sie mit der Kontrolle oder Wartung des Werkzeugs beginnen, überzeugen Sie sich immer, dass es ausgeschaltet und der Stecker aus der Steckdose herausgezogen ist.
- Verwenden Sie zum Reinigen niemals Kraftstoffe, Benzin, Verdünnern, Alkohol oder ähnliches. Dies kann zu Verfärbungen, Verformungen oder Rissen führen.

Zur Aufrechterhaltung der SICHERHEIT und ZUVERLÄSSIGKEIT des Produkts müssen die Reparaturen, die Kontrolle und der Wechsel der Kohlen sowie alle Wartungen und Einstellungen von den autorisierten Servicestellen der Firma Makita und unter Verwendung der Ersatzteile von Makita durchgeführt werden.

## SONDERZUBEHÖR

### **⚠ VORSICHT:**

- Für Ihr Werkzeug Makita, das in dieser Anleitung beschrieben ist, empfehlen wir folgende Zubehörteile und Aufsätze zu verwenden. Bei der Verwendung anderer Zubehörteile oder Aufsätze kann die Verletzungsgefahr für Personen drohen. Die Zubehörteile und Aufsätze dürfen nur für ihre festgelegten Zwecke verwendet werden.

Wenn Sie nähere Informationen bezüglich dieses Zubehörs benötigen, wenden Sie sich bitte an Ihre örtliche Servicestelle der Firma Makita.

- SDS-Plus-Hartmetallspitzen
- Bohrkronen
- Punkthammer
- Diamantbohrkrone
- Kaltmeißel
- Verzunderungsmeißel
- Nutenmeißel
- Bohrfuttersatz
- Bohrfutter S13
- Bohrfutteradapter
- Spannutterschlüssel S13
- Bohrer-/Meißelfett
- Seitenzusatzgriff
- Tiefenlehre
- Ausblasvorrichtung
- Staubschutzkappe
- Schutzbrille
- Kunststoffkoffer
- Schlüsselloses Bohrmaschinenpannfutter

### **HINWEIS:**

- Einige der in der Liste aufgeführten Elemente sind dem Werkzeugpaket als Standardzubehör beigelegt. Diese können in den einzelnen Ländern voneinander abweichen.

# RÉSZLETES LEÍRÁS

Modell		HR2631F	HR2631FT	HR2641	HR2320T	HR2630	HR2630T
Teljesítmény	Beton	26 mm			23 mm	26 mm	
	Lyukfűrész	68 mm					
	Gyémánt magfűrész (száraz típus)	80 mm			70 mm	80 mm	
	Acél	13 mm					
	Fa	32 mm					
Üresjárat fordulatszám		0 - 1200 min <sup>-1</sup>		0 - 1100 min <sup>-1</sup>	0 - 1200 min <sup>-1</sup>		
Lökés percenként		0 - 4600 min <sup>-1</sup>		0 - 4500 min <sup>-1</sup>	0 - 4600 min <sup>-1</sup>		
Teljes hossz		361 mm	385 mm	422 mm	380 mm	361 mm	385 mm
Tiszta tömeg		2,9 kg		3,1 kg		2,9 kg	3,0 kg
Biztonsági osztály		II/II					

- Folyamatos kutató- és fejlesztőprogramunk eredményeként az itt felsorolt tulajdonságok figyelmeztetés nélkül megváltozhatnak.
- A tulajdonságok országról országra különbözhetnek.
- Súly, az EPTA 01/2003 eljárás szerint

## Rendeltetésszerű használat

A szerszám téglá, beton és kő ütfúrására és fúrására használható.

Emellett csak fúrásra fa, fém, kerámia és műanyagok esetében.

## Tápfeszültség

A szerszámot kizárólag olyan egyfázisú, váltóáramú hálózatra szabad kötni, amelynek feszültsége meg egyezik az adattábláján szereplő feszültséggel. A szerszám kettős szigetelésű, ezért földelővezeték nélküli aljzatról is működtethető.

## Zaj

A tipikus A-súlyozású zajszint, az EN60745szerint meghatározva:

### Típus HR2631F, HR2631FT, HR2641

Hangnyomásszint ( $L_{pA}$ ): 90 dB (A)  
 Hangteljesítményszint ( $L_{WA}$ ): 101 dB (A)  
 Tűrés (K): 3 dB (A)

### Típus HR2320T, HR2630, HR2630T

Hangnyomásszint ( $L_{pA}$ ): 91 dB (A)  
 Hangteljesítményszint ( $L_{WA}$ ): 102 dB (A)  
 Tűrés (K): 3 dB (A)

## Viseljen fülvédőt

## Vibráció

A vibráció teljes értéke (háromtengelyű vektorösszeg) EN60745 szerint meghatározva:

### Típus HR2631F

Munka mód : ütfúrás betonba  
 Rezgés kibocsátás ( $a_{h,HD}$ ): 12,0 m/s<sup>2</sup>  
 Tűrés (K): 1,5 m/s<sup>2</sup>  
 Működési mód : vésés funkció oldalsó markolattal  
 Rezgés kibocsátás ( $a_{h,CHeq}$ ): 9,0 m/s<sup>2</sup>  
 Tűrés (K): 1,5 m/s<sup>2</sup>  
 Működési mód : fúrás fémbe  
 Rezgés kibocsátás ( $a_{h,D}$ ): 2,5 m/s<sup>2</sup> vagy kevesebb  
 Tűrés (K): 1,5 m/s<sup>2</sup>

## Típus HR2631FT

Munka mód : ütfúrás betonba  
 Rezgés kibocsátás ( $a_{h,HD}$ ): 11,5 m/s<sup>2</sup>  
 Tűrés (K): 1,5 m/s<sup>2</sup>  
 Működési mód : vésés funkció oldalsó markolattal  
 Rezgés kibocsátás ( $a_{h,CHeq}$ ): 8,5 m/s<sup>2</sup>  
 Tűrés (K): 1,5 m/s<sup>2</sup>  
 Működési mód : fúrás fémbe  
 Rezgés kibocsátás ( $a_{h,D}$ ): 2,5 m/s<sup>2</sup> vagy kevesebb  
 Tűrés (K): 1,5 m/s<sup>2</sup>

## Típus HR2641

Munka mód : ütfúrás betonba  
 Rezgés kibocsátás ( $a_{h,HD}$ ): 11,5 m/s<sup>2</sup>  
 Tűrés (K): 1,5 m/s<sup>2</sup>  
 Működési mód : vésés funkció oldalsó markolattal  
 Rezgés kibocsátás ( $a_{h,CHeq}$ ): 9,0 m/s<sup>2</sup>  
 Tűrés (K): 1,5 m/s<sup>2</sup>  
 Működési mód : fúrás fémbe  
 Rezgés kibocsátás ( $a_{h,D}$ ): 2,5 m/s<sup>2</sup>  
 Tűrés (K): 1,5 m/s<sup>2</sup>

## Típus HR2320T

Munka mód : ütfúrás betonba  
 Rezgés kibocsátás ( $a_{h,HD}$ ): 15,5 m/s<sup>2</sup>  
 Tűrés (K): 1,5 m/s<sup>2</sup>  
 Működési mód : vésés funkció oldalsó markolattal  
 Rezgés kibocsátás ( $a_{h,CHeq}$ ): 10,5 m/s<sup>2</sup>  
 Tűrés (K): 1,5 m/s<sup>2</sup>  
 Működési mód : fúrás fémbe  
 Rezgés kibocsátás ( $a_{h,D}$ ): 2,5 m/s<sup>2</sup> vagy kevesebb  
 Tűrés (K): 1,5 m/s<sup>2</sup>

## Típus HR2630

Munka mód : ütfúrás betonba  
 Rezgés kibocsátás ( $a_{h,HD}$ ): 15,5 m/s<sup>2</sup>  
 Tűrés (K): 1,5 m/s<sup>2</sup>  
 Működési mód : vésés funkció oldalsó markolattal  
 Rezgés kibocsátás ( $a_{h,CHeq}$ ): 9,5 m/s<sup>2</sup>  
 Tűrés (K): 1,5 m/s<sup>2</sup>

Működési mód : fúrás fémbe  
Rezgéskibocsátás ( $a_{h,D}$ ): 2,5 m/s<sup>2</sup>  
Tűrés (K): 1,5 m/s<sup>2</sup>

**Típus HR2630T**

Munka mód : útvefúrás betonba  
Rezgéskibocsátás ( $a_{h,HD}$ ): 15,0 m/s<sup>2</sup>  
Tűrés (K): 1,5 m/s<sup>2</sup>  
Működési mód : vésés funkció oldalsó markolattal  
Rezgéskibocsátás ( $a_{h,CHeq}$ ): 9,5 m/s<sup>2</sup>  
Tűrés (K): 1,5 m/s<sup>2</sup>  
Működési mód : fúrás fémbe  
Rezgéskibocsátás ( $a_{h,D}$ ): 2,5 m/s<sup>2</sup> vagy kevesebb  
Tűrés (K): 1,5 m/s<sup>2</sup>

**MEGJEGYZÉS:** A rezgéskibocsátás értéke a szabványos vizsgálati eljárásnak megfelelően lett mérve, és segítségével az elektromos kéziszerszámok összehasonlíthatók egymással.

**MEGJEGYZÉS:** A rezgéskibocsátás értékének segítségével előzetesen megbecsülhető a rezgésnek való kitettség mértéke.

**▲FIGYELMEZTETÉS:** A szerszám rezgéskibocsátása egy adott alkalmazásnál eltérhet a megadott értéktől a használat módjától függően.

**▲FIGYELMEZTETÉS:** Határozza meg a kezelő védelmét szolgáló munkavédelmi lépéseket, melyek az adott munkafeladatok melletti vibrációs hatás becslött mértékén alapulnak (figyelembe véve a munkaciklus elemeit, mint például a gép leállításának és üresjáratának mennyiségét az elindítások száma mellett).

## Csak európai országokra vonatkozóan

### EK Megfelelőségi nyilatkozat

**A Makita kijelenti, hogy az alábbi gép(ek):**

Gép megnevezése:  
Fűrőkalapács  
Típusszám/típus: HR2631F, HR2631FT, HR2641,  
HR2320T, HR2630, HR2630T

**Megfelel a következő Európai direktíváknak:**  
2006/42/EC

Gyártása a következő szabványoknak, valamint szabványosított dokumentumoknak megfelelően történik:  
EN60745

A műszaki leírás a 2006/42/EK előírásainak megfelelően elérhető innen:

Makita, Jan-Baptist Vinkstraat 2, 3070, Belgium

19.5.2014



Yasushi Fukaya  
Igazgató

Makita, Jan-Baptist Vinkstraat 2, 3070, Belgium

## A szerszámgépekre vonatkozó általános biztonsági figyelmeztetések

**▲FIGYELEM** Olvassa el az összes biztonsági figyelmeztetést és utasítást. Ha nem tartja be a figyelmeztetéseket és utasításokat, akkor áramütést, tüzet és/vagy súlyos sérülést okozhat.

**Őrizzen meg minden figyelmeztetést és utasítást a későbbi tájékozódás érdekében.**

## A FŰRŐKALAPÁCSRA VONATKOZÓ BIZTONSÁGI FIGYELMEZTETÉSEK

1. **Viseljen fülvédőt.** A zajártalom halláskárosodást okozhat.
2. **Ha a szerszámhoz mellékeltek, használja a kiegészítő fogantyú(ka)t.** Az irányítás elvesztése személyi sérüléshez vezethet.
3. **A szerszámot a szigetelő fogófelületeinél fogja olyan műveletek végzésekor, amikor fennáll a veszélye, hogy a vágóeszköz rejtett vezetékkel vagy a szerszám tápkábelével érintkezhet. A vágószerszám "élő" vezetékkel való érintkezésekor a szerszám fém alkatrészi is "élővé" válhatnak, és a kezelőt áramütés.**
4. **Viseljen védősisakot, védőszemüveget és/vagy arcvédőt.** A normál szemüvegek vagy a napszemüvegek NEM védőszemüvegek. Emellett különösen javasolt porvédő maszk és vastag kesztyű használata is.
5. **A használat megkezdése előtt ellenőrizze, hogy a vésőszerszám rögzítve van.**
6. **A szerszám úgy lett tervezve, hogy normál működés rezegésbe jön. A csavarok könnyen meglazulhatnak, meghibásodást, vagy balesetet okozva. A használat előtt gondosan ellenőrizze a csavarok szorosságát.**
7. **Hideg időben, vagy ha hosszabb ideig nem használta, hagyja, hogy a szerszám bemelegedjen, terhelés nélkül működtette azt. Ezáltal felenged a kenőanyag. A megfelelő bemelegítés nélkül a vésési művelet nehézkes.**
8. **Mindig bizonyosodjon meg arról hogy szilárdan áll. Bizonyosodjon meg arról hogy senki sincs lent amikor a szerszámot magas helyen használja.**
9. **Szilárdan tartsa a szerszámot mindkét kezével.**
10. **Tartsa távol a kezét a mozgó alkatrészekről.**
11. **Ne hagyja a szerszámot bekapcsolva. Csak kézben tartva használja a szerszámot.**
12. **Ne fordítsa a szerszámot a munkaterületen tartózkodó személyek felé működés közben. A vésőszerszám kirepülhet és valakit súlyosan megbesebíthet.**
13. **Ne érjen a vésőszerszámhoz vagy az alkatrészekhez közvetlenül a munkavégzést követően; azok rendkívül forrók lehetnek és megégethetik a bőrt.**

14. Némelyik anyag mérgező vegyületet tartalmazhat. Gondoskodjon a por belélegzése elleni és érintés elleni védelemről. Kövesse az anyag szállítójának biztonsági utasításait.

## ŐRIZZE MEG EZEKET AZ UTASÍTÁSOKAT.

**▲ FIGYELMEZTETÉS: NE HAGYJA,** hogy a kényelem vagy a termék (többszöri használatból adódó) mind alaposabb ismerete váltsa fel az adott termékre vonatkozó biztonsági előírások szigorú betartását. A **HELYTELEN HASZNÁLAT** és a **használati útmutatóban szereplő biztonsági előírások megszegése súlyos személyi sérülésekhez vezethet.**

## MŰKÖDÉSI LEÍRÁS

### ▲ VIGYÁZAT:

- Mindig bizonyosodjon meg a szerszám kikapcsolt és a hálózathoz nem csatlakoztatott állapotáról mielőtt ellenőrzi vagy beállítja azt.

### A kapcsoló használata

### ▲ VIGYÁZAT:

- A szerszám hálózatra csatlakoztatása előtt mindig ellenőrizze hogy a kapcsoló kioldógombja megfelelően mozog és visszatér a kikapcsolt (OFF) állapotba elengedése után.

► **Ábra1:** 1. Kioldókapcsoló 2. Zárgomb

► **Ábra2:** 1. Kioldókapcsoló 2. Zárgomb

A szerszám bekapcsolásához egyszerűen húzza meg a kioldókapcsolót. A szerszám fordulatszám a nő ahogy egyre jobban húzza a kioldókapcsolót. Leállításához engedje el a ravaszt. A folyamatos használatához húzza meg a kioldókapcsolót, majd nyomja be a zárógombot, és engedje el a kioldókapcsolót. A szerszám gép zárt állásában történő leállításához húzza meg teljesen a kapcsolót, majd engedje el.

### A lámpák bekapcsolása

A modellhez HR2631F, HR2631FT

### ▲ VIGYÁZAT:

- Ne tekintsen a fénybe vagy ne nézze egyenesen a fényforrást.

► **Ábra3:** 1. Lámpa

A lámpa bekapcsolásához húzza meg a kapcsolót. Engedje fel a kapcsolót a kikapcsoláshoz.

### MEGJEGYZÉS:

- Használjon száraz rongyot a lámpa lencséin lévő szennyeződés eltávolításához. Ügyeljen arra hogy ne karcolja meg a lámpa lencséit, ez csökkentheti a megvilágítás erősségét.
- Ne használjon hígítót vagy benzint a lámpa tisztításához. Az ilyen oldószerek károsíthatják azt.

### Forgásirányváltó kapcsoló használata

### ▲ VIGYÁZAT:

- A bekapcsolás előtt mindig ellenőrizze a beállított forgásirányt.
- Az irányváltó kapcsolót csak azután használja, hogy a szerszám teljesen megállt. A forgásirány megváltoztatása még azelőtt, hogy a szerszám leállt volna, a gép károsodását okozhatja.

A modellhez HR2631F, HR2631FT, HR2320T, HR2630, HR2630T

### ▲ VIGYÁZAT:

- Ha a kioldókapcsoló nem nyomható le, ellenőrizze, hogy az irányváltó kar teljesen be van állítva a ◀ (A oldal) vagy ▶ (B oldal) pozíciók egyikébe.

► **Ábra4:** 1. Forgásirányváltó kapcsolókar

Ez a szerszám irányváltó kapcsolóval van felszerelve a forgásirány megváltoztatásához. Mozgassa az irányváltó kart a ◀ pozícióba (A oldal) az óramutató járásával megegyező vagy a ▶ pozícióba (B oldal) az azzal ellentétes irányú forgáshoz.

A modellhez HR2641

► **Ábra5:** 1. Forgásirányváltó kapcsolókar

### MEGJEGYZÉS:

- Amikor a szerszámot az óramutató járásával ellentétes irányban működteti, a kioldókapcsoló csak félig húzható be és a szerszám csak félsebességen forog. Az óramutató járásával ellentétes irányú forgáskor nem nyomható be a reteszelőgomb.

Ez a szerszám irányváltó kapcsolóval van felszerelve a forgásirány megváltoztatásához. Állítsa az irányváltó kapcsolót ◀ helyzetbe (A oldal) az óramutató járásával megegyező, vagy ▶ helyzetbe (B oldal) az óramutató járásával ellentétes irányú forgáshoz.

### Az SDS-plus gyorstokmány cseréje

A modellhez HR2631FT, HR2320T, HR2630T



Az SDS-plus gyorstokmány könnyen lecserélhető a gyorsbefogó fűrotokmányra.

## Az SDS-plus gyorstokmány eltávolítása

### **VIGYÁZAT:**



- Mindig távolítsa el a szerszámot, mielőtt eltávolítja az SDS-plus gyorstokmányt.


- **Ábra6:** 1. Gyorscsereelő SDS-plus tokmány  
2. Váltófedél vonala 3. Váltófedél

Markolja meg az SDS-plus gyorstokmány váltófedelét és fordítsa el a nyíl irányába amíg a váltófedél vonala átmegy a  jelöléstől a  jelölésig. Erősen húzza meg a nyíl irányába.

## A gyorsbefogó fúrótokmány felszerelése

- **Ábra7:** 1. Orsó 2. Gyorscsereelő fúrótokmány  
3. Váltófedél vonala 4. Váltófedél

Ellenőrizze, hogy a gyorsbefogó fúrótokmány vonala a  jelölésnél áll. Markolja meg a gyorsbefogó fúrótokmány váltófedelét és állítsa a vonalát a  jelöléshez. Helyezze a gyorsbefogó fúrótokmányt a szerszám orsójára.

Markolja meg a gyorsbefogó fúrótokmány váltófedelét és fordítsa a váltófedél vonalát a  jelöléshez amíg egy kattantást nem hall.


## A működési mód kiválasztása

### **VIGYÁZAT:**

- Ne fordítsa el a működési mód váltó gombot, ha a szerszám működik. A szerszám károsodik.
- Az üzemmódváltó mechanizmus gyors kopásának elkerülése érdekében ügyeljen rá, hogy a működési mód váltó gomb mindig teljesen a három működési módnak megfelelő pozíció egyikében legyen.


## Ütvefúrás

- **Ábra8:** 1. Ütvefúrás 2. Működési mód váltó gomb

Beton, fal, stb. fúrásakor fordítsa a működési mód váltó gombot  jelöléshez. Használjon wolfram-karbid hegyű szerszámot.


## Fúrás

- **Ábra9:** 1. Fúrás

Fa, fém vagy műanyag fúrásához fordítsa az üzemmódváltó gombot a  jelhez. Használjon fémcsgafúró vagy fafúró szárazakat.

## Vésés

- **Ábra10:** 1. Vésés

Vésési, kaparási vagy bontási műveletekhez forgassa el a működési mód váltó gombot a  jelöléshez. Használjon fúrórudat, bontóvésőt, kaparóvésőt, stb.

## Nyomatékhathatóról

### **VIGYÁZAT:**

- Amint a nyomatékhathatóról bekapcsol, azonnal kapcsolja ki a szerszámot. Ez segít a szerszám idő előtti elhasználódásának megelőzésében.
- Az olyan száraz, mint például a lyukfúrész, amely hajlamos megszorulni, nem használhatóak ehhez a szerszámmal. Ennek oka az, hogy az ilyen szárazak a nyomatékhathatóról túl gyakran hozzák működésbe.

A nyomatékhathatóról akkor lép működésbe amikor egy bizonyos nyomatékszint elérésre kerül. A motor lekapcsolódik a kimenőtengelyről. Ha ez megtörténik, a szerszám forgása megáll.

## Akasztó

### A modellhez HR2641

### **VIGYÁZAT:**

- Soha ne akassza a szerszámot magas helyekre vagy nem teljesen stabil felületekre.

- **Ábra11:** 1. Övtartó

Az akasztó a szerszám ideiglenes felakasztására használható. Az akasztó használatához egyszerűen emelje azt felfelé addig, amíg be nem pattan a nyitott állásba. Amikor nem használja, mindig engedje le az akasztót addig, amíg be nem pattan a zárt állásba.

## ÖSSZESZERELÉS

### **VIGYÁZAT:**

- Mindig bizonyosodjon meg a szerszám kikapcsolt és a hálózathoz nem csatlakoztatott állapotáról mielőtt bármilyen munkát végezze rajta.

## Oldalsó markolat (kisegítő markolat)

- **Ábra12:** 1. Kiemelkedések 2. Hornyok

### **VIGYÁZAT:**

- A biztonságos használat érdekében mindig használja az oldalsó markolatot.

Az oldalsó markolatot úgy kell felszerelni, hogy a markolat kidudorodásai beilleszkedjenek a géptesten található rovátkák közé. Ezután a markolatot forgassa el az óramutató járásával megegyező irányban, így húzza meg a kívánt helyzetben. Az oldalsó markolat 360°-ban elforgatható, így bármely helyzetben rögzíteni lehet.

## Szerszámszír

Kenjen előzetesen a szerszám szárára kis mennyiségű szerszámszírt (nagyjából 0,5 - 1 g-ot). A tokmány ilyen kenése akadálymentes működést és hosszabb élettartamot biztosít.

## A vésőszerszám berakása vagy eltávolítása

### ► **Ábra13:** 1. Vésőszerszám szára 2. Szerszámzsír

Tisztítsa meg a szerszámot és használjon szerszámzsírt a vésőszerszám behelyezése előtt.

### ► **Ábra14:** 1. Betét

Helyezze a vésőszerszámot a gépbe. Fordítsa el a vésőszerszámot és nyomja be amíg nem rögzül. A behelyezés után mindig ellenőrizze, hogy a vésőszerszám biztosan a helyén van úgy, hogy megpróbálja azt kihúzni.

### ► **Ábra15:** 1. Betét 2. Tokmányfedél


A száraz eltávolításához húzza le teljesen a tokmányfedelét, és húzza ki a szerszámot.

## A szerszám szöge (véséshez, kaparáshoz vagy bontáshoz)

### ► **Ábra16:** 1. Működési mód váltó gomb

A fúrószar a kívánt szögben rögzíthető. A befogott szar szögbeállításának módosításához fordítsa az üzemmódváltó gombot a **O** jelhez. Fordítsa a szarát a kívánt szögbe.

### ► **Ábra17**

Állítsa a működési mód váltó gombot a  jelöléshez. Ezután ellenőrizze, hogy a szerszám megfelelően rögzítve van, kissé elfordítva azt.

## Mélységmérce

A mélységbeállító pálcá segítségével egyforma mélységű furatok készíthetők.

### ► **Ábra18:** 1. Markolat szorítóbilincse 2. Zárgomb 3. Mélységmérce

A markolat tövénél nyomja a reteszelőgombot a nyíl irányában az ábra szerint, majd a reteszelőgomb nyomva tartása mellett helyezze be a mélységbeállító pálcát a markolat tövénél található hatszögletű furatba.

### ► **Ábra19:** 1. A hatszögletű lyuk fogazott jelzésű oldala a markolat tövén 2. A mélységbeállító pálcá fogazott oldala

A mélységbeállító pálcát az ábra szerint kell a lyukba helyezni oly módon, hogy a pálcá fogazott oldala a hatszögletű lyuk fogazott jelzésű oldalára nézzen.

### ► **Ábra20:** 1. Zárgomb

A mélységbeállító pálcát előre-hátra mozgatással állítsa a kívánt mélységre, miközben nyomva tartja a reteszelőgombot. A beállítás után a pálcá rögzítéséhez engedje el a reteszelőgombot.

### ► **Ábra21:** 1. A hatszögletű lyuk fogazott jelzésű oldala a markolat tövén 2. A mélységbeállító pálcá fogazott oldala

#### MEGJEGYZÉS:

- Ha a mélységbeállító pálcát úgy helyezi a hatszögletű lyukba, hogy nem a fogazott oldala néz a hatszögletű lyuk fogazott jelzésű oldala felé (lásd az ábrát), a pálcát nem lehet rögzíteni.

## Porfogó (opcionális kiegészítő)

### ► **Ábra22:** 1. Porfogó


Használja a porfogót annak megelőzésére, hogy a por kiessen a fűrőből vagy Önre essen amikor a feje fölött végez munkát. Csatlakoztassa a porfogót a szerszámhoz az ábrán látható módon. A szerszámok mérete, amelyekhez a porfogó még csatlakoztatható, a következő.

	Szerszám átmérője
Porfogó, 5	6 mm - 14,5 mm
Porfogó, 9	12 mm - 16 mm

Egy másik típusú porfogó (opcionális kiegészítő) használatával megakadályozható, hogy a fejmagasság felett végzett fúrás közben a gépre és annak használójára hulljon a por.

## A porfogó (opcionális kiegészítő) felszerelése és eltávolítása

### ► **Ábra23:** 1. szimbólum 2. Hornyok 3. Porfogó

Ha korábban valamilyen szarát szerelt fel a gépre, a porfogó felszerelése előtt vegye ki azt a gépből. A porfogót (opcionális kiegészítő) úgy szerelje fel a gépre, hogy a csészén látható  jel egy vonalba essen a gépen található rovátkákkal.

### ► **Ábra24:** 1. Betét 2. Tokmányfedél

A porgyűjtő csésze eltávolításához húzza a tokmányburkolatot az ábra szerinti irányban, tartsa ott, és vegye ki a szarát a gépből.

### ► **Ábra25:** 1. Toldalék a porgyűjtő csésze aljánál

Ezután fogja meg a porgyűjtő csésze aljánál található toldalékot, és vegye ki.

### ► **Ábra26:** 1. Gumiharangok 2. Toldalék

### ► **Ábra27:** 1. A perem belseje 2. Lapos oldal 3. Toldalék 4. Dugó 5. Horony

### ► **Ábra28:** 1. Dugó 2. Toldalék

#### MEGJEGYZÉS:

- A porfogó fel- vagy leszerelésekor a sapka lejöhet a csészéről. Ekkor a következők szerint járjon el. Vegye le a gumiharangokat a toldalékról, és helyezze el a sapkát az ábrán látható oldalról a lapos oldalával felfelé úgy, hogy a benne található vajat illeszkedjen a toldalék peremének belsejébe. Végül helyezze vissza a leszerelt gumiharangokat.

### ► **Ábra29**

#### MEGJEGYZÉS:

- Ha a fűrőkalapácsához porszívót csatlakoztat, kevesebb szennyeződés keletkezik. A porvédő sapkát még csatlakoztatás előtt el kell távolítani a porgyűjtő csészéről.



# ÜZEMELTETÉS

## ⚠ VIGYÁZAT:


- Mindig használja az oldalsó markolatot (kisegítő markolatot), és szilárdan tartsa a szerszámot mindkét oldalsó markolattal, és a kapcsolófogantyúval a munka során.

## Ütvefúrás

## ⚠ VIGYÁZAT:

- Hatalmas és hirtelen jövő csavaróerő hat a szerszámmra/fúrószárra a furat áttörésének pillanatában, amikor a furat eltömődik forgáccsal és szemcsékkel, vagy amikor eltalálja a betonba ágyazott merevítőrudakat. Mindig használja az oldalsó markolatot (kisegítő markolatot), és szilárdan tartsa a szerszámot mindkét oldalsó markolattal, és a kapcsolófogantyúval a munka során. Ennek elmulasztása a szerszám feletti uralom elvesztését, és komoly személyi sérüléseket okozhat.

### ▶ Ábra30

Állítsa a működési mód váltó gombot a  jelöléshez. Állítsa a szerszám hegyét a furat tervezett helyére és húzza meg a kioldókapcsolót. Ne erőltesse a szerszámot. Az enyhe nyomás adja a legjobb eredményt. Tartsa egy helyben a szerszámot és ne engedje, hogy kicsússzon a furatból.

Ne fejtsen ki nagyobb nyomást amikor a furat eltömődik forgáccsal és más részecskékkel. Ehelyett működtesse a szerszámot terhelés nélkül és részlegesen húzza ki a szerszámot a furatból. Ezt többször megismételve kitisztítja a furatot és folytathatja a fúrást.

**MEGJEGYZÉS:** A szerszám forgása excentrikus lehet amikor a szerszámot terhelés nélkül működteti. A szerszám automatikusan középpontozza magát működés közben. Ez nem befolyásolja a fúrás pontosságát.


## Kifújókörte (opcionális kiegészítő)

### ▶ Ábra31: 1. Kifújókörte

A furat kifúrása után egy kifújókörtével eltávolíthatja a port a furatból.

## Vésés/kaparás/bontás


### ▶ Ábra32

Állítsa a működési mód váltó gombot a  jelöléshez. Szilárdan tartsa a szerszámot mindkét kezével. Kapcsolja be a szerszámot és fejtsen ki enyhe nyomást a szerszámmra úgy, hogy az még ne pattogjon körbe ellenőrizetlenül. Ha nagyon erősen nyomja a szerszámot, azzal nem növeli a hatásfokát.

# Fa vagy fém fúrása

## ⚠ VIGYÁZAT:

- Soha ne használja az "ütvefúrás" módot, ha a gyorscserélő fúrótokmány fel van szerelve a szerszámmra. A gyorscserélő fúrótokmány károsodhat. Emellett a fúrótokmány kijön amikor visszafelé forgatja a szerszámot.
- A szerszámmra alkalmazott túlságosan nagy nyomás nem gyorsítja meg a lyuk kifúrását. Valójában a főlegesen nagy nyomás csupán a fúróhegy sérüléséhez, a szerszám teljesítményének csökkenéséhez vezet és lerövidíti a szerszám hasznos élettartamát.
- Óriási forgatóerő fejtődik ki a szerszámmra/fúróhegyre amikor a lyuk áttörik az anyagon. Tartsa szilárdan a szerszámot és dolgozzon óvatosan amikor a fúróhegy megkezdte a munkadarab áttörését.
- A megakadt fúróhegy egyszerűen eltávolítható az irányváltó kapcsoló másik irányba történő átkapcsolásával hogy a fúró kihátrásához. Azonban a szerszám váratlanul hátrálhat ki ha nem tartja szilárdan.
- Mindig erősítse a kisebb munkadarabokat satuba vagy hasonló rögzítőberendezésbe.

Állítsa a működési mód váltó gombot a  jelöléshez. Legfeljebb 13 mm átmérőig fúrhat fémet, és 32 mm átmérőig fát.

**A modellhez** HR2631F, HR2641, HR2630

▶ **Ábra33:** 1. Fúrótokmány szerelvény (opcionális kiegészítő)

Használja a fúrótokmány szerelvényt (opcionális kiegészítő). A felszereléséhez tájékozódjon „A fúrószerszám behelyezése és eltávolítása” fejezetből az előző oldalon.

▶ **Ábra34:** 1. Tokmánykulcs

A fúrószerszám behelyezéséhez tegye azt a tokmányba, és tolja be amennyire csak lehet. Húzza meg kézzel a tokmányt. Tegye a tokmánykulcsot egymás után mindhárom furatba és húzza meg azt az óramutató járásának irányában. Ügyeljen rá, hogy mindhárom tokmányfuratot egyformán húzza meg.

A fúrószerszám eltávolításához forgassa a tokmánykulcsot az óramutató járásával ellentétes irányban az egyik furatban, majd lazítsa meg kézzel a tokmányt.

**A modellhez** HR2631FT, HR2320T, HR2630T

▶ **Ábra35:** 1. Gyorscserélő SDS-plus tokmány  
2. Váltófedél vonala 3. Váltófedél

▶ **Ábra36:** 1. Orsó 2. Gyorscserélő fúrótokmány  
3. Váltófedél vonala 4. Váltófedél

Használja a gyorsbefogó fúrótokmányt mint standard felszerelést. A felszereléséhez tájékozódjon "Az SDS-plus gyorscserélő cseréje" fejezetből az előző oldalon.

▶ **Ábra37:** 1. Gyorscserélő fúrótokmány 2. Hüvely 3. Gyűrű


Tartsa gyűrűt és forgassa a hüvelyt az óramutató járásával ellentétes irányba a tokmánypofa szétnyitásához. Helyezze a fúrószerszámot a tokmányba ameddig csak lehet. Tartsa a gyűrűt és forgassa a hüvelyt az óramutató járásának irányába a tokmány meghúzásához. A szerszám kivételéhez fogja meg a gyűrűt, és forgassa a hüvelyt az óramutató járásával ellentétes irányba.



## Fúrás gyémánt magfúróval

### ⚠ VIGYÁZAT:

- Ha a gyémánt magfúrót az "útvefúrás" módban használja, akkor a gyémánt magfúró károsodhat.

Gyémánt magfúró használatakor a váltókart mindig állítsa a  jelöléshez, hogy a "fúrás" módot használja.

## Porfogóval (opcionális kiegészítő) végzett műveletek

### ▶ Ábra38: 1. Porfogó

A mennyezetén végzett fúrásokhoz használja a porgyűjtő csészét.

### MEGJEGYZÉS:

- A porfogó (opcionális kiegészítő) kizárólag kerámia és téglá jellegű munkadarab, például beton és vakolat fúrásához készült. Ne használja a porfogót fém vagy hasonló anyagok fúrásához. Ha a porfogót fémfúráshoz használja, a keletkező fémpor vagy hasonló anyagok hője károsíthatja a porfogót.
- A fúrószár kivétele előtt ürítse ki a porgyűjtő csészét.
- A porgyűjtő csésze használata során ügyeljen arra, hogy biztonságosan szerelje fel.

Ha bármilyen segítségre vagy további információkra van szüksége ezekkel a tartozékokkal kapcsolatban, keresse fel a helyi Makita Szervizközpontot.

- SDS-Plus karbidhegyű szerszám
- Lyukfűrész
- Fúrórúd
- Gyémánt magfúró
- Bontóvéső
- Kaparóvéső
- Horonyvéső
- Fúrótokmány szerelvény
- S13 fúrótokmány szerelvény
- Fúrótokmányadapter
- S13 tokmánykulcs
- Szerszámzsír
- Oldalsó markolat
- Mélységmérce
- Kifújókörte
- Porfogó
- Védőszemüveg
- Műanyag szállítódobron
- Gyorstokmány

### MEGJEGYZÉS:

- A listán felsorolt néhány kiegészítő megtalálható az eszköz csomagolásában standard kiegészítőként. Ezek országonként eltérőek lehetnek.

## KARBANTARTÁS

### ⚠ VIGYÁZAT:

- Mindig bizonyosodjék meg arról hogy a szerszám kikapcsolt és a hálózatra nem csatlakoztatott állapotban van mielőtt a vizsgálatához vagy karbantartásához kezdene.
- Soha ne használjon gázolajt, benzint, higítót, alkoholt vagy hasonló anyagokat. Ezek elszineződést, alakvesztést vagy repedést okozhatnak.

A termék BIZTONSÁGÁNAK és MEGBÍZHATÓSÁGÁNAK fenntartásához, a javításokat, a szénkefék ellenőrzését és cseréjét, bármilyen egyéb karbantartást vagy beszüntítést a Makita Autorizált Szervizközpontoknak kell végrehajtaniuk, mindig Makita pótalkatrészek használatával.

## OPCIONÁLIS KIEGÉSZÍTŐK

### ⚠ VIGYÁZAT:

- Ezek a tartozékok vagy kellek ajánlottak az Önnek ebben a kézikönyvben leírt Makita szerszámához. Bármely más tartozék vagy kellek használata személyes veszélyt vagy sérülést jelenthet. A tartozékot vagy kelleket használja csupán annak kifejezett rendeltetésére.

## TECHNICKÉ ÚDAJE

Model		HR2631F	HR2631FT	HR2641	HR2320T	HR2630	HR2630T
Výkony	Betón	26 mm			23 mm	26 mm	
	Jadrovacie dláto	68 mm					
	Brúsne jadrovacie dláto (suchý typ)	80 mm			70 mm	80 mm	
	Oceľ	13 mm					
	Drevo	32 mm					
Otáčky naprázdno	0 - 1200 min <sup>-1</sup>			0 - 1100 min <sup>-1</sup>	0 - 1200 min <sup>-1</sup>		
Úderov za minútu	0 - 4600 min <sup>-1</sup>			0 - 4500 min <sup>-1</sup>	0 - 4600 min <sup>-1</sup>		
Celková dĺžka	361 mm	385 mm	422 mm	380 mm	361 mm	385 mm	
Hmotnosť netto	2,9 kg		3,1 kg		2,9 kg	2,8 kg	3,0 kg
Trieda bezpečnosti	II/II						

- Vzhľadom k neustálemu výskumu a vývoju tu uvedené technické údaje podliehajú zmenám bez upozornenia.
- Technické údaje sa môžu pre rozne krajiny líšiť.
- Hmotnosť podľa postupu EPTA 01/2003

### Určené použitie

Tento nástroj je určený na kladivové vŕtanie a vŕtanie do tehly, betónu a kameňa.

Je vhodný aj na bezpríkrepové vŕtanie do dreva, kovu, keramiky a plastu.

### Napájanie

Náradie by malo byť pripojené jedine k prívodu elektrickej energie s hodnotou napätia rovnakou, ako je uvedená na štítku s názvom zariadenia, pričom náradie môže byť napájané jedine jednofázovým striedavým prúdom. Je vybavené dvojitou izoláciou a preto sa môže používať pri zapojení do zásuviek bez uzemňovacieho vodiča.

### Hluk

Typická hladina akustického tlaku pri záťaži A určená podľa EN60745:

#### Model HR2631F, HR2631FT, HR2641

Hladina akustického tlaku ( $L_{pA}$ ): 90 dB (A)  
Hladina akustického výkonu ( $L_{WA}$ ): 101 dB (A)  
Odchýlka (K): 3 dB (A)

#### Model HR2320T, HR2630, HR2630T

Hladina akustického tlaku ( $L_{pA}$ ): 91 dB (A)  
Hladina akustického výkonu ( $L_{WA}$ ): 102 dB (A)  
Odchýlka (K): 3 dB (A)

### Používajte chrániče sluchu

### Vibrácie

Celková hodnota vibrácií (trojosový vektorový súčet) určená podľa normy EN60745:

#### Model HR2631F

Pracovný režim : príklepové vŕtanie do betónu  
Emisie vibrácií ( $a_{h,HD}$ ): 12,0 m/s<sup>2</sup>  
Odchýlka (K): 1,5 m/s<sup>2</sup>  
Pracovný režim: funkcia sekania s bočnou rukoväťou  
Emisie vibrácií ( $a_{h,Cheq}$ ): 9,0 m/s<sup>2</sup>  
Odchýlka (K): 1,5 m/s<sup>2</sup>

Pracovný režim: vŕtanie do kovu

Emisie vibrácií ( $a_{h,D}$ ): 2,5 m/s<sup>2</sup> alebo menej  
Odchýlka (K): 1,5 m/s<sup>2</sup>

#### Model HR2631FT

Pracovný režim : príklepové vŕtanie do betónu

Emisie vibrácií ( $a_{h,HD}$ ): 11,5 m/s<sup>2</sup>  
Odchýlka (K): 1,5 m/s<sup>2</sup>

Pracovný režim: funkcia sekania s bočnou rukoväťou

Emisie vibrácií ( $a_{h,Cheq}$ ): 8,5 m/s<sup>2</sup>  
Odchýlka (K): 1,5 m/s<sup>2</sup>

Pracovný režim: vŕtanie do kovu

Emisie vibrácií ( $a_{h,D}$ ): 2,5 m/s<sup>2</sup> alebo menej  
Odchýlka (K): 1,5 m/s<sup>2</sup>

#### Model HR2641

Pracovný režim : príklepové vŕtanie do betónu

Emisie vibrácií ( $a_{h,HD}$ ): 11,5 m/s<sup>2</sup>  
Odchýlka (K): 1,5 m/s<sup>2</sup>

Pracovný režim: funkcia sekania s bočnou rukoväťou

Emisie vibrácií ( $a_{h,Cheq}$ ): 9,0 m/s<sup>2</sup>  
Odchýlka (K): 1,5 m/s<sup>2</sup>

Pracovný režim: vŕtanie do kovu

Emisie vibrácií ( $a_{h,D}$ ): 2,5 m/s<sup>2</sup>  
Odchýlka (K): 1,5 m/s<sup>2</sup>

#### Model HR2320T

Pracovný režim : príklepové vŕtanie do betónu

Emisie vibrácií ( $a_{h,HD}$ ): 15,5 m/s<sup>2</sup>  
Odchýlka (K): 1,5 m/s<sup>2</sup>

Pracovný režim: funkcia sekania s bočnou rukoväťou

Emisie vibrácií ( $a_{h,Cheq}$ ): 10,5 m/s<sup>2</sup>  
Odchýlka (K): 1,5 m/s<sup>2</sup>

Pracovný režim: vŕtanie do kovu

Emisie vibrácií ( $a_{h,D}$ ): 2,5 m/s<sup>2</sup> alebo menej  
Odchýlka (K): 1,5 m/s<sup>2</sup>

**Model HR2630**

Pracovný režim : príklepové vrtanie do betónu

Emisie vibrácií ( $a_{h,HD}$ ): 15,5 m/s<sup>2</sup>Odchýlka (K): 1,5 m/s<sup>2</sup>

Pracovný režim: funkcia sekania s bočnou rukoväťou

Emisie vibrácií ( $a_{h,ChEq}$ ): 9,5 m/s<sup>2</sup>Odchýlka (K): 1,5 m/s<sup>2</sup>

Pracovný režim: vrtanie do kovu

Emisie vibrácií ( $a_{h,D}$ ): 2,5 m/s<sup>2</sup>Odchýlka (K): 1,5 m/s<sup>2</sup>**Model HR2630T**

Pracovný režim : príklepové vrtanie do betónu

Emisie vibrácií ( $a_{h,HD}$ ): 15,0 m/s<sup>2</sup>Odchýlka (K): 1,5 m/s<sup>2</sup>

Pracovný režim: funkcia sekania s bočnou rukoväťou

Emisie vibrácií ( $a_{h,ChEq}$ ): 9,5 m/s<sup>2</sup>Odchýlka (K): 1,5 m/s<sup>2</sup>

Pracovný režim: vrtanie do kovu

Emisie vibrácií ( $a_{h,D}$ ): 2,5 m/s<sup>2</sup> alebo menejOdchýlka (K): 1,5 m/s<sup>2</sup>


Yasushi Fukaya

Riaditeľ

Makita, Jan-Baptist Vinkstraat 2, 3070, Belgicko

## Všeobecné bezpečnostné predpisy pre elektronáradie

**⚠ UPOZORNENIE** Prečítajte si všetky upozornenia a inštrukcie. Nedodržiavanie pokynov a inštrukcií môže mať za následok úraz elektrickým prúdom, požiar alebo vážne zranenie.

**Všetky pokyny a inštrukcie si odložte pre prípad potreby v budúcnosti.**

## BEZPEČNOSTNÉ VÝSTRAHY PRE VRTACIE KĽADIVO

1. **Používajte chrániče sluchu.** Vystavenie hluku môže spôsobiť stratu sluchu.
2. **Pokiaľ je s náradím dodávaná prídavná rukoväť(e) používajte ju.** Strata ovládania môže mať za následok osobné poranenie.
3. **Elektrické náradie pri práci držte len za izolované úchopné povrchy, lebo rezný prvok sa môže dostať do kontaktu so skrytými vodičmi alebo vlastným káblom.** Rezné príslušenstvo, ktoré sa dostane do kontaktu so „živým“ vodičom môže spôsobiť vystavenie kovových častí elektrického náradia „živému“ prúdu a spôsobiť tak obsluhu zasiahnutie elektrickým prúdom.
4. **Používajte pevnú pokrývku hlavy (bezpečnostnú helmu), bezpečnostné okuliare a/alebo ochranný štít na tvár.** Občasná optická alebo slnečná okuliare NIE sú ochranné okuliare. Tiež sa dôrazne odporúča používať protiprachovú masku a hrubo vatované rukavice.
5. **Pred prácou overte, či je vrták zaistený na mieste.**
6. **Pri bežnej prevádzke tento nástroj vytvára vibrácie.** Ľahko môže dôjsť k uvoľneniu skrutiek a následnej poruche alebo nehode. Preč prácou dôkladne skontrolujte dotiahnutie skrutiek.
7. **V chladnom počasí, alebo keď sa nástroj dlhšiu dobu nepoužíval, nechajte nástroj chvíľu zahriať pri prevádzke bez záťaže.** Tým sa uvoľní mazivo. Bez správneho predhriatia bude príklep prebiehať ťažko.
8. **Dbajte, aby ste vždy mali pevnú oporu nôh.** Ak pracujete vo výškach, dbajte, aby pod vami nikto nebol.
9. **Držte nástroj pevne oboma rukami.**
10. **Ruky držte mimo dosahu pohyblivých častí.**
11. **Nenechávajte nástroj bežať bez dozoru.** Pracujte s ním, len keď ho držíte v rukách.
12. **Počas práce nemierte nástrojom na žiadnu osobu v blízkosti.** Vrták by mohol vyletieť a niekoho vážne poraniť.
13. **Nedotýkajte sa vrtáka alebo častí v blízkosti vrtáka hneď po úkone; môžu byť extrémne horúce a môžu popáliť vašu pokožku.**

**POZNÁMKA:** Deklarovaná hodnota emisií vibrácií bola meraná podľa štandardnej súbnej metódy a môže sa použiť na porovnanie jedného náradia s druhým.

**POZNÁMKA:** Deklarovaná hodnota emisií vibrácií sa môže použiť aj na predbežné posúdenie vystavenia ich účinkom.

**⚠ VAROVANIE:** Emisie vibrácií počas skutočného používania elektrického náradia sa môžu odlišovať od deklarovanej hodnoty emisií vibrácií, a to v závislosti na spôsoboch používania náradia.

**⚠ VAROVANIE:** Nezabudnite označiť bezpečnostné opatrenia s cieľom chrániť obsluhu, a to tie, ktoré sa zakladajú na odhade vystavenia účinkom v rámci reálnych podmienok používania (berúc do úvahy všetky súčasti prevádzkového cyklu, ako sú doby, kedy je náradie vypnuté a kedy beží bez záťaženia, ako dodatok k dobe zapnutia).

## Len pre európske krajiny

## Vyhlasenie o zhode so smernicami Európskeho spoločenstva

**Spoločnosť Makita vyhlasuje, že nasledovné strojné zariadenie(a):**

Označenie strojného zariadenia:

Kombinované kladivo

Číslo modelu/Typ: HR2631F, HR2631FT, HR2641, HR2320T, HR2630, HR2630T

**Je v zhode s nasledujúcimi európskymi smernicami:**

2006/42/EC

Sú vyrobené podľa nasledovných noriem a štandardizovaných dokumentov:

EN60745

Technická dokumentácia podľa smernice 2006/42/ES je k dispozícii na adrese:

Makita, Jan-Baptist Vinkstraat 2, 3070, Belgicko

14. Niektoré materiály obsahujú chemikálie, ktoré môžu byť jedovaté. Dávajte pozor, aby ste ich nevdychovali alebo sa ich nedotýkali. Prečítajte si bezpečnostné materiálové listy dodávateľa.

## TIETO POKYNY USCHOVAJTE.

**VAROVANIE:** NIKDY nepripustíte, aby pohodlie a dobrá znalosť výrobku (získané opakovaným používaním) nahradili presné dodržiavanie bezpečnostných pravidiel pre náradie. **NESPRÁVNE POUŽÍVANIE** alebo **nedodržiavanie bezpečnostných pokynov uvedených v tomto návode na obsluhu môže spôsobiť vážne poranenia osôb.**

## POPIS FUNKCIE

### **POZOR:**

- Pred nastavovaním nástroja alebo kontrolou jeho funkcie sa vždy presvedčte, že je vypnutý a vytiahnutý zo zásuvky.

## Zapínanie

### **POZOR:**

- Pred pripojením nástroja do zásuvky vždy skontrolujte, či spúšť funguje správne a po uvoľnení sa vracia do vypnutej polohy.

► **Obr.1:** 1. Spínač 2. Blokovacie tlačidlo

► **Obr.2:** 1. Spínač 2. Blokovacie tlačidlo

Ak chcete nástroj zapnúť, jednoducho potiahnite spínač. Rýchlosť nástroja sa zvyšuje zvyšovaním prítlaku na spúšťacie tlačidlo. Zastavíte ho uvoľnením vypínača. Pokiaľ chcete pracovať nepretržite, potiahnite vypínač a následne stlačte poistné tlačidlo a následne vypínač uvoľnite. Náradie sa z režimu trvalého chodu vypína stlačením a uvoľnením tlačidla vypínača.

## Zapnutie svetla

Pro Model HR2631F, HR2631FT

### **POZOR:**

- Neďívajte sa priamo do svetla alebo jeho zdroja.

► **Obr.3:** 1. Svetlo

Lampa sa zapína stlačením spúšťacieho tlačidla. Vypnete ju uvoľnením tohto tlačidla.

### **POZNÁMKA:**

- Na utretie nečistôt z šošovky svetla používajte suchú handričku. Dávajte pozor, aby ste šošovku svetla nepoškrabali, môže sa tým zmenšiť jeho svietivosť.
- Na čistenie lampy nepoužívajte riedidlo ani benzín. Takéto rozpúšťadlá ju môžu poškodiť.

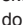
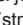
## Prepínanie smeru otáčania

### **POZOR:**

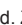

- Pred začatím činnosti vždy skontrolujte smer otáčania.
- Vratný prepínač používajte len po úplnom zastavení nástroja. Pri zmene smeru otáčania pred úplným zastavením by sa mohol nástroj poškodiť.

Pro Model HR2631F, HR2631FT, HR2320T, HR2630, HR2630T

### **POZOR:**

- V prípade, že sa tlačidlo vypínača nedá stlačiť, skontrolujte, či je prepínacia páčka nastavená do polohy  (strana A) alebo  (strana B).

► **Obr.4:** 1. Prepínacia páčka smeru otáčania



Toto náradie má prepínanie páčku na pravo-ľavobežný chod. Zatlacíte prepínanie páčku do polohy  (strana A) pre pravobežný chod, alebo do polohy  (strana B) pre ľavobežný chod.

Pro Model HR2641

► **Obr.5:** 1. Prepínacia páčka smeru otáčania

### **POZNÁMKA:**

- Pri ľavobežnom chode stlačte vypínač len do strednej polohy a rýchlosť nastavte na číslo 3. Pri ľavobežnom chode nestláčajte zaistovacie tlačidlo.

Tento nástroj je vybavený prepínačom smeru otáčania, ktorý slúži na zmenu smeru otáčania. Posuňte páčku prepínača smeru otáčania do polohy  (strana A) pre otáčanie v smere hodinových ručičiek alebo do polohy  (strana B) pre otáčanie proti smeru hodinových ručičiek.

## Výmena rýchlopínacieho skľučovadla s upínaním SDS-plus

Pro Model HR2631FT, HR2320T, HR2630T



Upínanie SDS-plus možno jednoducho zameniť za rýchlopínacie skľučovadlo.

## Demontáž výmenného upínania SDS-plus

### **POZOR:**

- Pred demontážou upínania SDS-plus vrták vždy vyberte.

► **Obr.6:** 1. Rýchlopínacie skľučovadlo pre SDS-plus 2. Zmena línie krytu 3. Zmena krytu

Uchopte výmenný kryt upínania SDS-plus a točte v smere šípky, pokiaľ sa čiara na kryte nepresunie z polohy so symbolom  do polohy . Následne potlačte v smere šípky.

## Nasadenie rýchlopínacieho skľučovadla

- **Obr.7:** 1. Vreteno 2. Rýchlopínacie vrtákové skľučovadlo 3. Zmena línie krytu 4. Zmena krytu

Skontrolujte, či značka skľučovadla ukazuje na symbol . Uchopte výmenný kryt skľučovadla a nastavte značku na symbol .

Rýchlopínacie skľučovadlo umiestnite na hriadeľ náradia.

Uchopte kryt skľučovadla a nastavte sa do polohy , pokiaľ jasne nezapočujete kliknutie.

### Výber funkcie nástroja

#### **POZOR:**

- Neotáčajte prepínač za chodu náradia pri zaťažení. Môže to viesť k poškodeniu náradia.
- Nadmernému opotrebovaniu mechanizmu zmeny režimov predídete tým, že vždy nastavíte prepínač presne na jednu z troch polôh pracovných režimov.

### Vrtanie s príklepom

- **Obr.8:** 1. Otáčanie so zatĺkaním 2. Gombík na zmenu funkcie

Pre vrtanie do betónu, muriva a pod. otočte prepínačom režimu na symbol . Použite vrták s hrotom z volfrámu-karbidu.

### Vrtanie bez príklepu

- **Obr.9:** 1. Len otáčanie

Pre vrtanie do dreva, kovu alebo plastových materiálov otočte prepínačom režimu na symbol . Použite skrutkovitý vrták alebo vrták do dreva.

### Príklep

- **Obr.10:** 1. Len zatĺkanie

Pre sekanie, osekávanie alebo zbíjanie otočte prepínačom pracovného režimu na symbol . Použite vŕtací hrot, plochý sekáč, sekacie dláto, a pod.

### Obmedzovač krútiaceho momentu (bezpečnostná spojka)

#### **POZOR:**

- Len čo sa obmedzovač spustí, náradie ihneď vypnite. Zabráňte tým predčasnému opotrebovaniu náradia.
- Vrtáky ako koronový vrták, ktoré sa často zvyknú priškrtiť alebo zachytiť v otvore, nie sú vhodné pre toto náradie. To preto, lebo obmedzovač krútiaceho momentu by sa aktivoval príliš často.

Obmedzovač krútiaceho momentu preruší otáčanie vrtáka po dosiahnutí určitej hodnoty krútiaceho momentu. Otáčanie sa preruší pri súbežnom chode motora. Vtedy sa vrták prestane točiť.

## Hák

Pro Model HR2641

#### **POZOR:**

- Nikdy nezaveste nástroj hákom do vysokej polohy alebo na potenciálne nestabilný povrch.

- **Obr.11:** 1. Hák

Hák je praktický na dočasnú zavesenie nástroja. Ak chcete použiť hák, jednoducho ho nadvihnite, kým nezapadne do otvorenej polohy.

Keď sa nepoužíva, vždy ho zavčaknite do zatvorenej polohy.

## MONTÁŽ

#### **POZOR:**

- Než začnete na nástroji robiť akékoľvek práce, vždy sa predtým presvedčte, že je vypnutý a vytiahnutý zo zásuvky.

### Bočná rukoväť (pomocná rukoväť)

- **Obr.12:** 1. Výstupky 2. Žliabky

#### **POZOR:**

- Na zaistenie bezpečnej prevádzky vždy používajte bočnú rukoväť.

Bočnú rukoväť nainštalujte tak, aby výčnelky na rukoväti zapadli medzi drážky na valci nástroja. Potom ju v požadovanej polohe upevnite utiahnutím rukoväti v smere hodinových ručičiek. Rukoväť možno nastaviť v ľubovoľnej polohe v rozsahu 360°.

### Vazelína na upínacie stopky vrtákov

Upínaciu stopku vrtáka pred použitím potrite tenkou vrstvou vazelíny (asi 0,5 - 1 g). Potretím vazelínou sa zabezpečí plynulý priebeh práce a dlhšia životnosť náradia.

### Montáž alebo demontáž vrtáka

- **Obr.13:** 1. Driek ostria 2. Vazelína na upínacie stopky vrtákov

Upínaciu stopku vrtáka očistite a potrite tenkou vrstvou vazelíny.

- **Obr.14:** 1. Vrták

Zasuňte vrták do nástroja. Otočte vrtákom a potlačte ho, kým nezapadne.

Po vsunutí vždy potiahnutím za vrták skontrolujte, či je správne zaistený.

- **Obr.15:** 1. Vrták 2. Kryt skľučovadla


Pri vyberaní vrtáka objímku posuňte až na doraz a vrták vyberte.

## Uhol vrtáka (pri sekaní, osekávaní alebo zbíjaní)

► **Obr.16:** 1. Gombík na zmenu funkcie

Vrták možno zaisťiť do požadovaného uhla. Uhol vrtáka zmeníte tak, že otočíte prepínačom pracovného režimu na symbol **O**. Otočíte vrták do požadovaného uhla.

► **Obr.17**

Otočte prepínač pracovného režimu na symbol . Potom vrták trochu pootočte na kontrolu, či je pevne uchytený na svojom mieste.

## Hĺbkomer

Hĺbkový doraz slúži na pohodlné vŕtanie otvorov rovnakej hĺbky.

► **Obr.18:** 1. Upínania podložka 2. Blokovacie tlačidlo 3. Hĺbkomer

Stlačte poistné tlačidlo na základni rúčky, a to v smere šípky podľa obrázka a pri stlačení poistného tlačidla zasuňte hĺbkový doraz do šesťhranného otvoru v základni rúčky.

► **Obr.19:** 1. Ozubená časť vyznačenia šesťhranného otvoru na základni rúčky 2. Ozubená časť na doraze hĺbky

V tomto štádiu je potrebné doraz hĺbky zasunúť tak, aby jeho ozubená strana smerovala k ozubenej časti vyznačenia šesťhranného otvoru na základni rúčky, ako je to znázornené na obrázku.

► **Obr.20:** 1. Blokovacie tlačidlo

Doraz hĺbky nastavte na požadovanú hĺbku jeho posunutím dopredu a dozadu pri súčasnom stlačení poistného tlačidla. Po nastavení poistné tlačidlo uvoľnite, čím sa doraz hĺbky zablokuje.

► **Obr.21:** 1. Ozubená časť vyznačenia šesťhranného otvoru na základni rúčky 2. Ozubená časť na doraze hĺbky

### POZNÁMKA:

- Zasúvanie dorazu hĺbky spôsobom, kedy ozubená časť nesmeruje k ozubenej časti vyznačenia šesťhranného otvoru na základni rúčky, ako je to znázornené na obrázku neumožní zablokovanie dorazu hĺbky.

## Prachový kryt (zvláštne príslušenstvo)


► **Obr.22:** 1. Protiprachová ochranná manžeta


Prachový kryt slúži na zachytávanie prachu pri vŕtaní v polohe nad hlavou (napr. do stropov). Nasadíte kryt na vrták podľa znázornenia. Rozmery vrtákov, na ktoré je možný prachový kryt nasadiť:

	Priemer ostria
Protiprachová ochranná manžeta 5	6 mm - 14,5 mm
Protiprachová ochranná manžeta 9	12 mm - 16 mm

K dispozícii je aj iný typ prachového krytu (zvláštne príslušenstvo), ktorý zabraňuje padaniu prachu do nástroja a na obsluhu pri vykonávaní vŕtania nad hlavou.

## Inštalácia a demontáž prachového krytu (zvláštne príslušenstvo)

► **Obr.23:** 1. Symbol  2. Žliabky 3. Protiprachová ochranná manžeta

Pred nainštalovaním prachového krytu vyberte v prípade namontovania vrták z nástroja. Prachový kryt (zvláštne príslušenstvo) nainštalujte na nástroj tak, že symbol  na prachovom kryte bude zároveň s drážkami na nástroji.

► **Obr.24:** 1. Vrták 2. Kryt skľučovadla

Pokiaľ chcete protiprachový kalich demontovať, potiahnite skľučovadlo v smere podľa obrázka a pri potiahnutí skľučovadla vyberte z náradia vrták.

► **Obr.25:** 1. Prípojka na pätku protiprachového kalicha

Následne uchopte prípojku na pätku protiprachového kalicha a vytiahnite ho.

► **Obr.26:** 1. Vlnovce 2. Prípojka

► **Obr.27:** 1. Vnútorý okraj 2. Plochá strana 3. Prípojka 4. Uzáver 5. Drážka

► **Obr.28:** 1. Uzáver 2. Prípojka

### POZNÁMKA:

- Pri inštalovaní alebo demontovaní prachového krytu môže kryt z prachového krytu vypadnúť. Vtedy postupujte nasledujúcim spôsobom. Demontujte vlnovce z príslušenstva a namontujte kryt z bočnej strany znázornenej na obrázku tak, aby jeho plochá strana smerovala nahor a drážka na kryte zapadla do vnútorného okraja príslušenstva. Nakoniec namontujte vlnovce, ktoré ste predtým demontovali.

► **Obr.29**

### POZNÁMKA:

- Ak pripojíte ku kladivu vysávač, dosiahnete čistejšiu prevádzku. Pred vykonaním pripojenia je potrebné protiprachový kryt z protiprachového kalicha demontovať.

## PRÁCA

### ⚠ POZOR:


- Vždy používajte bočnú rukoväť (pomocnú rukoväť) a nástroj pri práci držte pevne za bočnú rukoväť aj spínaciu rúčku.

## Vŕtanie s príklepom

### ⚠ POZOR:

- Pri dokončovaní priechodného otvoru môže dôjsť k náhlej reakcii náradia, keď sa otvor zanesie úlomkami materiálu alebo pri náraze na spevňujúce tyče v betóne. Vždy používajte bočnú rukoväť (pomocnú rukoväť) a náradie pri práci držte pevne oboma rukami za bočnú rukoväť aj spínaciu rúčku. V opačnom prípade by ste mohli stratiť nad náradím kontrolu a ublížiť si.

► **Obr.30**

Prepínač pracovných režimov nastavte na symbol . Vrták nastavte do požadovanej polohy pre hĺbku otvoru a stlačte vypínač. Nevyvíjajte na náradie tlak. Menším tlakom dosiahnete vyššiu efektívnosť práce. Držte náradie presne v potrebnej polohe, aby vrták neskĺzol mimo vrtaný otvor. Nevyvíjajte väčší tlak, keď sa otvor zanesie úlomkami materiálu. Namiesto toho náradím trochu povytiahnite. Po niekoľkonásobnom zopakovaní sa otvor vyčistí a môžete pokračovať vo vrtaní.

**POZNÁMKA:** Pri voľnobežných otáčkach môže dôjsť k excentrickej rotácii vrtáka. Počas samotnej činnosti sa nástroj automaticky vycentruje. Nemá to teda vplyv na presnosť vrtania.


## Ofukovací balónik (zvláštno príslušenstvo)

► **Obr.31:** 1. Ofukovací balónik

Ofukovací balónik slúži na vyčistenie vyvrtaného otvoru od prachu.

## Sekanie / Osekávanie / Zbijanie


► **Obr.32**

Prepínač pracovných režimov nastavte na symbol . Držte nástroj pevne oboma rukami. Zapnite nástroj a trochu naň tlačte tak, aby nástroj neovládane neposkakoval. Príliš veľký prítlak nezaručuje najlepšie výsledky.

## Vrtanie do dreva / kovu

### POZOR:

- Keď je rýchloobrátkovacie skľučovadlo namontované na náradie, nikdy nepoužívajte režim "vrtanie s príklepom". Rýchloobrátkovacie skľučovadlo by sa mohlo zničiť. Skľučovadlo by tiež mohlo pri ľavobežnom chode vypadnúť.
- Nadmerným tlakom na nástroj vrtanie neurýchliť. V skutočnosti tento nadmerný tlak vedie len k poškodeniu hrotu vášho vrtáka, zníženiu účinnosti nástroja a skráteniu jeho životnosti.
- V okamžiku, kedy vrták vniká do materiálu, pôsobia na nástroj a na vrták obrovské sily. Držte nástroj pevne a dávajte pozor, keď vrták začína prenikať do vrtaného dielu.
- Uviaznutý vrták sa dá jednoducho uvoľniť prepnutím prepínača smeru otáčania do opačnej polohy. Pokiaľ však nástroj nedržíte pevne, môže nečakane vyskočiť.
- Malé obrobky vždy upínajte do zveráka či do podobného upevňovacieho zariadenia.

Prepínač pracovných režimov nastavte do polohy so symbolom .

Náradie umožňuje vrtanie otvorov do kovov do priemeru 13 mm a do dreva do priemeru 32 mm.

**Pro Model** HR2631F, HR2641, HR2630

► **Obr.33:** 1. Zostava skľučovadla (zvláštno príslušenstvo)

Použite zostavu skľučovadla (zvláštno príslušenstvo). Pri jej inštalácii pozrite časť „Montáž alebo demontáž vrtáka“ uvedenú na predchádzajúcej strane.

► **Obr.34:** 1. Kľúč skľučáča

Ak chcete namontovať vrták, vložte ho do skľučovadla až na doraz. Skľučovadlo utiahnite rukou. Vložte kľúč na skľučovadlo do každého z troch otvorov a utiahnite v smere hodinových ručičiek. Uťahnite rovnomerne všetky tri otvory.

Vrták odstránite otáčaním kľúča na skľučovadlo proti smeru hodinových ručičiek len v jednom otvore a následným uvoľnením skľučovadla rukou.

**Pro Model** HR2631FT, HR2320T, HR2630T

► **Obr.35:** 1. Rýchloobrátkovacie skľučovadlo pre SDS-plus 2. Zmena línie krytu 3. Zmena krytu

► **Obr.36:** 1. Vreteno 2. Rýchloobrátkovacie vrtákové skľučovadlo 3. Zmena línie krytu 4. Zmena krytu

Použite rýchloobrátkovacie skľučovadlo ako štandardné vybavenie. Pri jeho montáži postupujte podľa pokynov "výmena rýchloobrátkovacieho skľučovadla s upínaním SDS plus" na predchádzajúcej strane.


► **Obr.37:** 1. Rýchloobrátkovacie vrtákové skľučovadlo 2. Objímka 3. Prstenec

Chyťte veniec a otočte objímku proti smeru hodinových ručičiek. Vložte vrták do skľučovadla až na doraz. Chyťte veniec a otočte objímku proti v smere hodinových ručičiek na zaistenie skľučovadla. Vrták vyberiete podržaním venca a otočením objímky proti smeru hodinových ručičiek.

## Vrtanie s diamantovými vrtacími korunkami

### POZOR:

- Ak by ste pracovali v režime "vrtanie s príklepom", korunky sa môžu zničiť.

Pri vrtaní s diamantovými vrtacími korunkami vždy nastavte prepínač do polohy so symbolom  pre režim "vrtanie".

## Prevádzka pri použití prachového krytu (zvláštno príslušenstvo)

► **Obr.38:** 1. Protiprachová ochranná manžeta

Náradie používajte tak, aby ste protiprachový kalich mali pri povrchu stropu.

### POZNÁMKA:

- Prachový kryt (zvláštno príslušenstvo) je určený len na vrtanie do keramických obrobkov, ako je betón alebo malta. Nástroj s nasadeným prachovým krytom nepoužívajte na vrtanie do kovov a podobných materiálov. Používanie prachového krytu počas vrtania do kovov môže poškodiť prachový kryt v dôsledku tepla generovaného jemným kovovým prachom alebo podobným materiálom.
- Protiprachový kalich pred demontážou vrtáka vyprázdňte.
- Pri používaní protiprachového kalicha skontrolujte jeho bezpečné namontovanie.



# ÚDRŽBA

## **⚠ POZOR:**

- Než začnete robiť kontrolu alebo údržbu nástroja, vždy se presvedčte, že je vypnutý a vytiahnutý zo zásuvky.
- Nepoužívajte benzín, riedidlo, alkohol ani nič podobné. Mohlo by to spôsobiť zmenu farby, deformácie alebo praskliny.

Kvôli zachovaniu BEZPEČNOSTI a SPOLAHLIVOSTI výrobku musia byť opravy, kontrola a výmena uhlíkov a akákoľvek ďalšia údržba či nastavovanie robené autorizovanými servisnými strediskami firmy Makita a s použitím náhradných dielov Makita.

# VOLITEĽNÉ PRÍSLUŠENSTVO

## **⚠ POZOR:**

- Pre váš nástroj Makita, opísaný v tomto návode, doporučujeme používať toto príslušenstvo a nástavce. Pri použití iného príslušenstva či nástavcov môže hroziť nebezpečenstvo zranenia osôb. Príslušenstvo a nástavce sa môžu používať len na účely pre ne stanovené.

Ak potrebujete bližšie informácie týkajúce sa tohoto príslušenstva, obráťte sa na vaše miestne servisné stredisko firmy Makita.

- Vrtáky s karbidovým hrotom SDS-Plus
- Okružný vrták
- Vŕtací hrot
- Diamantová vŕtacia korunka
- Plochý sekáč
- Sekacie dláto
- Dláto na drážky
- Zostava so skľučovadlom
- Upínacie skľučovadlo S13
- Adaptér k upínaciemu skľučovadlu
- Kľúč k upínaciemu skľučovadlu
- Vazelína na upínacie stopky vŕtákov
- Bočné držadlo
- Hĺbkomer
- Ofukovací balónik
- Prachový kryt
- Ochranné okuliare
- Plastový kufrík
- Bezklúčové skľučidlo vŕtačky

## **POZNÁMKA:**

- Niektoré položky zo zoznamu môžu byť súčasťou balenia náradia vo forme štandardného príslušenstva. Rozsah týchto položiek môže byť v každej krajine odlišný.

## TECHNICKÉ ÚDAJE

Model		HR2631F	HR2631FT	HR2641	HR2320T	HR2630	HR2630T
Výkony	Beton	26 mm			23 mm	26 mm	
	Vrtná korunka	68 mm					
	Diamantová jádrová vrtná korunka (suchý typ)	80 mm			70 mm	80 mm	
	Ocel	13 mm					
	Dřevo	32 mm					
Otáčky bez zatížení		0 - 1 200 min <sup>-1</sup>		0 - 1 100 min <sup>-1</sup>	0 - 1 200 min <sup>-1</sup>		
Přiklepů za minutu		0 - 4 600 min <sup>-1</sup>		0 - 4 500 min <sup>-1</sup>	0 - 4 600 min <sup>-1</sup>		
Celková délka		361 mm	385 mm	422 mm	380 mm	361 mm	385 mm
Hmotnost netto		2,9 kg	3,1 kg		2,9 kg	2,8 kg	3,0 kg
Třída bezpečnosti		II/II					

- Vzhledem k neustálému výzkumu a vývoji zde uvedené technické údaje podléhají změnám bez upozornění.
- Technické údaje se mohou pro různé země lišit.
- Hmotnost podle EPTA – Procedure 01/2003

### Určení nástroje

Nástroj je určen k přiklepovému vrtní a běžnému vrtní do cihel, betonu a kamene.

Dále je vhodný k bezpříklepovému vrtní do dřeva, kovu, keramických materiálů a plastů.

### Napájení

Zařízení je třeba připojit pouze k napájení se stejným napětím, jaké je uvedeno na výrobním štítku a může být provozováno pouze v jednofázovém napájecím okruhu se střídavým napětím. Nářadí je vybaveno dvojitou izolací a může být tedy připojeno i k zásuvkám bez zemnicího vodiče.

### Hlučnost

Typická vážená hladina hluku (A) určená podle normy EN60745:

#### Model HR2631F, HR2631FT, HR2641

Hladina akustického tlaku ( $L_{pA}$ ): 90 dB (A)  
 Hladina akustického výkonu ( $L_{WA}$ ): 101 dB (A)  
 Nejistota (K): 3 dB (A)

#### Model HR2320T, HR2630, HR2630T

Hladina akustického tlaku ( $L_{pA}$ ): 91 dB (A)  
 Hladina akustického výkonu ( $L_{WA}$ ): 102 dB (A)  
 Nejistota (K): 3 dB (A)

### Používejte ochranu sluchu

### Vibrace

Celková hodnota vibrací (vektorový součet tří os) určená podle normy EN60745:

#### Model HR2631F

Pracovní režim: přiklepové vrtní do betonu  
 Emise vibrací ( $a_{h,HD}$ ): 12,0 m/s<sup>2</sup>  
 Nejistota (K): 1,5 m/s<sup>2</sup>  
 Pracovní režim: funkce drážkování s boční rukojetí  
 Emise vibrací ( $a_{h,ChEq}$ ): 9,0 m/s<sup>2</sup>  
 Nejistota (K): 1,5 m/s<sup>2</sup>  
 Pracovní režim: vrtní do kovu  
 Emise vibrací ( $a_{h,D}$ ): 2,5 m/s<sup>2</sup> nebo méně  
 Nejistota (K): 1,5 m/s<sup>2</sup>

### Model HR2631FT

Pracovní režim: přiklepové vrtní do betonu  
 Emise vibrací ( $a_{h,HD}$ ): 11,5 m/s<sup>2</sup>  
 Nejistota (K): 1,5 m/s<sup>2</sup>  
 Pracovní režim: funkce drážkování s boční rukojetí  
 Emise vibrací ( $a_{h,ChEq}$ ): 8,5 m/s<sup>2</sup>  
 Nejistota (K): 1,5 m/s<sup>2</sup>  
 Pracovní režim: vrtní do kovu  
 Emise vibrací ( $a_{h,D}$ ): 2,5 m/s<sup>2</sup> nebo méně  
 Nejistota (K): 1,5 m/s<sup>2</sup>

### Model HR2641

Pracovní režim: přiklepové vrtní do betonu  
 Emise vibrací ( $a_{h,HD}$ ): 11,5 m/s<sup>2</sup>  
 Nejistota (K): 1,5 m/s<sup>2</sup>  
 Pracovní režim: funkce drážkování s boční rukojetí  
 Emise vibrací ( $a_{h,ChEq}$ ): 9,0 m/s<sup>2</sup>  
 Nejistota (K): 1,5 m/s<sup>2</sup>  
 Pracovní režim: vrtní do kovu  
 Emise vibrací ( $a_{h,D}$ ): 2,5 m/s<sup>2</sup>  
 Nejistota (K): 1,5 m/s<sup>2</sup>

### Model HR2320T

Pracovní režim: přiklepové vrtní do betonu  
 Emise vibrací ( $a_{h,HD}$ ): 15,5 m/s<sup>2</sup>  
 Nejistota (K): 1,5 m/s<sup>2</sup>  
 Pracovní režim: funkce drážkování s boční rukojetí  
 Emise vibrací ( $a_{h,ChEq}$ ): 10,5 m/s<sup>2</sup>  
 Nejistota (K): 1,5 m/s<sup>2</sup>  
 Pracovní režim: vrtní do kovu  
 Emise vibrací ( $a_{h,D}$ ): 2,5 m/s<sup>2</sup> nebo méně  
 Nejistota (K): 1,5 m/s<sup>2</sup>

### Model HR2630

Pracovní režim: přiklepové vrtní do betonu  
 Emise vibrací ( $a_{h,HD}$ ): 15,5 m/s<sup>2</sup>  
 Nejistota (K): 1,5 m/s<sup>2</sup>  
 Pracovní režim: funkce drážkování s boční rukojetí  
 Emise vibrací ( $a_{h,ChEq}$ ): 9,5 m/s<sup>2</sup>  
 Nejistota (K): 1,5 m/s<sup>2</sup>

Pracovní režim: vrtání do kovu

Emise vibrací ( $a_{h,D}$ ): 2,5 m/s<sup>2</sup>

Nejistota (K): 1,5 m/s<sup>2</sup>

#### Model HR2630T

Pracovní režim: příklepové vrtání do betonu

Emise vibrací ( $a_{h,HD}$ ): 15,0 m/s<sup>2</sup>

Nejistota (K): 1,5 m/s<sup>2</sup>

Pracovní režim: funkce drážkování s boční rukojetí

Emise vibrací ( $a_{h,Cheg}$ ): 9,5 m/s<sup>2</sup>

Nejistota (K): 1,5 m/s<sup>2</sup>

Pracovní režim: vrtání do kovu

Emise vibrací ( $a_{h,D}$ ): 2,5 m/s<sup>2</sup> nebo méně

Nejistota (K): 1,5 m/s<sup>2</sup>

**POZNÁMKA:** Deklarovaná hodnota emisí vibrací byla změřena v souladu se standardní testovací metodou a může být využita ke srovnávání nářadí mezi sebou.

**POZNÁMKA:** Deklarovanou hodnotu emisí vibrací lze rovněž využít k předběžnému posouzení vystavení jejich vlivu.

**VAROVÁNÍ:** Emise vibrací během skutečného používání elektrického nářadí se mohou od deklarované hodnoty emisí vibrací lišit v závislosti na způsobu použití nářadí.

**VAROVÁNÍ:** Na základě odhadu vystavení účinkům vibrací v aktuálních podmínkách zajistěte bezpečnostní opatření k ochraně obsluhy (vezměte v úvahu všechny části pracovního cyklu, mezi něž patří kromě doby pracovního nasazení i doba, kdy je nářadí vypnuto nebo pracuje ve volnoběhu).

## Pouze pro země Evropy

## Prohlášení ES o shodě

Společnost Makita prohlašuje, že následující zařízení:

Popis zařízení:

Kombinované kladivo

Č. modelu/typ: HR2631F, HR2631FT, HR2641,

HR2320T, HR2630, HR2630T

**A vyhovuje následujícím evropským směrnicím:**  
2006/42/EC

Zařízení bylo vyrobeno v souladu s následující normou či normativními dokumenty:

EN60745

Technická dokumentace dle 2006/42/ES je k dispozici na adrese:

Makita, Jan-Baptist Vinkstraat 2, 3070, Belgie

19.5.2014



Yasushi Fukaya  
Ředitel

Makita, Jan-Baptist Vinkstraat 2, 3070, Belgie

## Obecná bezpečnostní upozornění k elektrickému nářadí

**UPOZORNĚNÍ** Přečtěte si všechna bezpečnostní upozornění a pokyny. Při nedodržení upozornění a pokynů může dojít k úrazu elektrickým proudem, požáru nebo vážnému zranění.

**Všechna upozornění a pokyny si uschovejte pro budoucí potřebu.**

## BEZPEČNOSTNÍ UPOZORNĚNÍ K VRTACÍMU A SEKACÍMU KLADIVU

1. **Noste ochranu sluchu.** Hluk může způsobit ztrátu sluchu.
2. **Použijte pomocné držadlo (držadla), pokud je k nářadí dodáno.** Ztráta kontroly nad nářadím může způsobit zranění.
3. **Při práci v místech, kde může dojít ke kontaktu řezacího příslušenství se skrytým elektrickým vedením nebo s vlastním napájecím kabelem, držte elektrické nářadí za izolované části držadla.** Řezací příslušenství může při kontaktu s vodičem pod napětím přenést proud do nechráněných kovových částí nářadí a obsluha může utrpět úraz elektrickým proudem.
4. **Používejte tvrdou ochranu hlavy (bezpečnostní přilbu), ochranné brýle a/nebo obličejový štít. Běžné dioptrické brýle nebo sluneční brýle NEJSOU ochranné brýle.** Velice se také doporučuje používat protiprachovou masku a silné polstrované rukavice.
5. **Před zahájením provozu se přesvědčte, zda je uchycen pracovní nástroj.**
6. **Při běžném provozu nástroj vytváří vibrace.** Šrouby se mohou snadno uvolnit a způsobit poruchu nebo nehodu. Před použitím zkontrolujte pečlivě utažení šroubů.
7. **Za studeného počasí nebo pokud nebyl nástroj delší dobu používán nechejte nástroj na chvíli zahřívát provozováním bez zatížení. Tímto dojde k zahřátí maziva. Bez řádného zahřátí je použití funkce kladiva obtížné.**
8. **Dbejte, abyste vždy měli pevnou oporu nohou. Pracujete-li ve výškách, dbejte, aby pod vámi nikdo nebyl.**
9. **Držte nástroj pevně oběma rukama.**
10. **Udržujte ruce mimo pohyblivé díly.**
11. **Nenechávejte nástroj běžet bez dozoru. Pracujte s ním, jen když jej držíte v rukou.**
12. **Nemířte nástrojem na žádnou osobu v místě provádění práce. Pracovní nástroj se může uvolnit a způsobit vážné zranění.**
13. **Bezprostředně po ukončení práce se nedotýkejte nástroje ani dílu; mohou dosahovat velmi vysokých teplot a popálit pokožku.**
14. **Některé materiály obsahují chemikálie, které mohou být jedovaté. Dávejte pozor, abyste je neveddechovali nebo se jich nedotýkali. Přečtěte si bezpečnostní materiálové listy dodavatele.**

**TYTO POKYNY USCHOVEJTE.**

**VAROVÁNÍ:** NEDOVOLTE, aby pohodlnost nebo pocit znalosti výrobku (získaný na základě opakovaného používání) vedly k zanedbání dodržování bezpečnostních pravidel platných pro tento výrobek. **NESPRÁVNÉ POUŽÍVÁNÍ** nebo nedodržení bezpečnostních pravidel uvedených v tomto návodu k obsluze může způsobit vážné zranění.

## POPIS FUNKCE

### UPOZORNĚNÍ:

- Před nastavováním nástroje nebo kontrolou jeho funkce se vždy přesvědčte, že je vypnutý a vytažený ze zásuvky.

## Zapínání

### UPOZORNĚNÍ:

- Před připojením nástroje do zásuvky vždy zkontrolujte, zda spoušť funguje správně a po uvolnění se vrací do vypnuté polohy.

► **Obr.1:** 1. Spínač 2. Blokovací tlačítko

► **Obr.2:** 1. Spínač 2. Blokovací tlačítko

Chcete-li nástroj spustit, stačí stisknout jeho spoušť. Otáčky nástroje se zvětšují zvýšením tlaku vyvíjeného na spoušť. Chcete-li nástroj vypnout, uvolněte spoušť. Chcete-li pracovat nepřetržitě, stiskněte spoušť a potom stiskněte blokovací tlačítko. Chcete-li nástroj vypnout ze zablokované polohy, stiskněte spoušť naplno a pak ji pusťte.

## Rozsvícení světla

Pro Model HR2631F, HR2631FT

### UPOZORNĚNÍ:

- Nedívejte přímo do světla nebo jeho zdroje.

► **Obr.3:** 1. Světlo

Pracovní osvětlení se zapíná stisknutím spouště. Vypíná se uvolněním spouště.

### POZNÁMKA:

- K očištění nečistot z čočky světla používejte suchý hadřík. Dávejte pozor, abyste čočku světla nepoškrábali, může se tím zmenšit jeho svítivost.
- Při čištění světla nepoužívejte ředidlo ani benzín. Taková rozpouštědla mohou způsobit poškození.

## Přepínání směru otáčení

### UPOZORNĚNÍ:

- Před zahájením provozu vždy zkontrolujte nastavený směr otáčení.
- S přepínačem směru otáčení manipulujte až poté, co nástroj dosáhne úplného klidu. Provedete-li změnu směru otáčení před zastavením nástroje, může dojít k jeho poškození.

Pro Model HR2631F, HR2631FT, HR2320T, HR2630, HR2630T

### UPOZORNĚNÍ:

- Pokud nelze stisknout spoušť, ověřte, zda je přepínač směru otáčení nastaven řádně do polohy ◁ (strana A) nebo ▷ (strana B).

► **Obr.4:** 1. Přepínací páčka směru otáčení

Tento nástroj je vybaven přepínačem směru otáčení. Požadujete-li otáčení ve směru hodinových ručiček, přesuňte páčku přepínače směru otáčení do polohy ◁ (strana A). Pokud potřebujete otáčení proti směru hodinových ručiček, přesuňte páčku do polohy ▷ (strana B).

Pro Model HR2641

► **Obr.5:** 1. Přepínací páčka směru otáčení

### POZNÁMKA:

- Pokud nástroj provozujete s otáčením proti směru hodinových ručiček, je spoušť odtažena pouze do poloviny a nástroj běží při polovičních otáčkách. Při otáčení proti směru hodinových ručiček nelze zamáčknout zajišťovací tlačítko.

Toto nářadí je opatřeno přepínačem směru otáčení sloužícím ke změně směru otáček. Přesunutím páčky přepínače směru otáčení do polohy ◁ (strana A) zapnete otáčení doprava a přepnutím do polohy ▷ (strana B) otáčení doleva.

## Výměna rychlovýměnného sklíčidla pro SDS-plus

Pro Model HR2631FT, HR2320T, HR2630T



Rychlovýměnné sklíčidlo pro SDS-plus lze snadno vyměnit za rychlovýměnné sklíčidlo pro vrtáky.

## Demontáž rychlovýměnného sklíčidla pro SDS-plus

### UPOZORNĚNÍ:




- Před montáží rychlovýměnného sklíčidla pro SDS-plus je nutno vždy demontovat pracovní nástroj.

► **Obr.6:** 1. Rychlovýměnné sklíčidlo pro SDS-plus 2. Ryska na otočné objímce 3. Otočná objímka

Uchopte otočnou objímku rychlovýměnného sklíčidla pro SDS-plus a otáčejte jí ve směru šipky, dokud se ryska na otočné objímce nepřesune ze symbolu  na symbol . Silně zatáhněte ve směru šipky.

## Instalace rychlovýměnného sklíčidla

- **Obr.7:** 1. Vřeteno 2. Rychlovýměnné sklíčidlo  
3. Ryska na otočné objímce 4. Otočná objímka

Zkontrolujte, zda ryska na rychlovýměnném sklíčidle ukazuje na symbol . Uchopte otočnou objímku rychlovýměnného sklíčidla a nastavte rysku na symbol . Nasuňte rychlovýměnné sklíčidlo na vřeteno nástroje. Uchopte otočnou objímku rychlovýměnného sklíčidla a nastavte rysku na otočné objímce na symbol . Správné polohy je dosaženo, jakmile zazní cvaknutí.


## Výběr provozního režimu

### ▲ UPOZORNĚNÍ:

- Neotáčejte voličem režimu, pracuje-li nástroj pod zatížením. Dojde k poškození nástroje.
- Má-li být zamezeno rychlému opotřebenému mechanismu přepínání režimu, dbejte, aby byl knoflík přepínání provozního režimu vždy řádně umístěn do jedné ze tří poloh provozního režimu.


## Otáčení s přiklepem

- **Obr.8:** 1. Otáčení s přiklepem 2. Volič provozního režimu

Při vrtání do betonu, zdva, a podobných materiálů otočte volič režimu na symbol . Použijte nástroj s ostřím z karbidu wolframu.


## Pouze otáčení

- **Obr.9:** 1. Pouze otáčení

Při vrtání do dřeva, kovu či plastů otočte voličem provozního režimu na symbol . Použijte vrták se šroubovavicí nebo vrták do dřeva.

## Pouze přiklep

- **Obr.10:** 1. Pouze přiklep

Při sekání, otloukání nebo bourání otočte volič režimu na symbol . Použijte tyč s hrotem, plochý sekáč, oškrt, apod.

## Omezovač točivého momentu

### ▲ UPOZORNĚNÍ:

- Jakmile se aktivuje omezovač točivého momentu, vypněte okamžitě nástroj. Zamezte tak předčasnému opotřebenému nástroje.
- Pracovní nástroje jako vrtací korunky, jež se v otvorech snadno zaseknou či vzpříčí, jsou pro toto nářadí nevhodné. To proto, že příliš často aktivují omezovač točivého momentu.

Omezovač točivého momentu se aktivuje při dosažení určité úrovně točivého momentu. Motor se odpojí od výstupního hřídele. Dojde-li k této situaci, pracovní nástroj se zastaví.

## Hák

Pro Model HR2641

### ▲ UPOZORNĚNÍ:

- Nikdy nástroj nezavěšujte ve výšce nebo na potenciálně nestabilním povrchu.

- **Obr.11:** 1. Hák

Háček je vhodný k dočasnému pověšení nářadí. Jestliže chcete hák použít, jednoduše je vyklepote, až zacvakne do otevřené polohy. Jestliže se hák nevyužívá, vždy jej sklopte, až zacvakne do zavřené polohy.

## MONTÁŽ

### ▲ UPOZORNĚNÍ:

- Než začnete na nástroji provádět jakékoliv práce, vždy se předtím přesvědčte, že je vypnutý a vytažený ze zásuvky.

## Boční rukojeť (pomocné držadlo)

- **Obr.12:** 1. Výstupky 2. Drážky

### ▲ UPOZORNĚNÍ:

- Z důvodu bezpečnosti práce vždy používejte boční rukojeť.

Boční rukojeť namontujte tak, aby výstupky na rukojeti zapadly mezi drážky korpusu nářadí. Rukojeť pak v požadované poloze dotáhněte otáčením směrem vpravo. Rukojeť můžete natáčet v úhlu 360° a zajistit ji v libovolné poloze.

## Vazelína na nástroj

Před použitím naneste na hlavu dřívku nástroje malé množství vazelíny (přibližně 0,5 - 1 g). Toto promazání sklíčidla zajišťuje hladký provoz a delší provozní životnost.

## Instalace a demontáž pracovního nástroje

- **Obr.13:** 1. Dřík nástroje 2. Vazelína na nástroj

Vyčistěte dřík nástroje a před instalací na něj naneste vazelínu.

- **Obr.14:** 1. Vrták

Zasuňte do přístroje pracovní nástroj. Otáčejte pracovním nástrojem a tlačte na něj, dokud nebude zajištěn. Po instalaci se pokusem o vytažení vždy přesvědčte, zda je pracovní nástroj bezpečně uchycen na svém místě.

- **Obr.15:** 1. Vrták 2. Kryt sklíčidla


Chcete-li nástroj vyjmout, stáhněte kryt sklíčidla úplně dolů a vytáhněte pracovní nástroj.

## Úhel pracovního nástroje (při sekání, otloukání nebo bourání)

► **Obr.16:** 1. Volič provozního režimu

Pracovní nástroj lze zajistit v požadovaném úhlu. Chcete-li změnit úhel pracovního nástroje, otočte volič provozního režimu na symbol **O**. Pracovní nástroj pak natočte do požadovaného úhlu.

► **Obr.17**

Otočte volič provozního režimu na symbol . Poté se mírným otočením přesvědčíte, zda je pracovní nástroj bezpečně uchycen na svém místě.

## Hloubkoměr

Hloubkový doraz využijete při vrtání otvorů stejné hloubky.

► **Obr.18:** 1. Základna rukojeti 2. Blokovací tlačítko 3. Hloubkoměr

Stiskněte blokovací tlačítko na objímce držadla ve směru šípky znázorněné na obrázku a se stisknutým blokovacím tlačítkem zasuňte hloubkový doraz do šestihranného otvoru v objímce držadla.

► **Obr.19:** 1. Značka zoubkované strany šestihranného otvoru na objímce držadla 2. Zoubkovaná strana hloubkového dorazu

Hloubkový doraz je třeba zasunout tak, aby jeho zoubkovaná strana směřovala ke značce zoubkované strany šestihranného otvoru na objímce držadla tak, jak je znázorněno na obrázku.

► **Obr.20:** 1. Blokovací tlačítko

Hloubkový doraz nastavte na požadovanou hloubku posouváním směrem vpřed či zpět se současným stisknutím blokovacího tlačítka. Po nastavení hloubkového dorazu uvolněním blokovacího tlačítka zajistíte.

► **Obr.21:** 1. Značka zoubkované strany šestihranného otvoru na objímce držadla 2. Zoubkovaná strana hloubkového dorazu

### POZNÁMKA:

- Jestliže hloubkový doraz nezasunete zoubkovanou stranou směrem k zoubkované straně šestihranného otvoru v objímce držadla podle obrázku, nebude možné hloubkový doraz zajistit.

## Protiprachová krytka (volitelné příslušenství)

► **Obr.22:** 1. Protiprachová krytka

Protiprachová krytka slouží jako prevence spadu prachu na nástroj a pracovníka při vrtání nad hlavou. Protiprachovou krytku nainstalujte jak je ilustrováno na obrázku. Velikost pracovních nástrojů, u kterých lze použít protiprachovou krytku je následující.

	Průměr nástroje
Protiprachová krytka 5	6 mm - 14,5 mm
Protiprachová krytka 9	12 mm - 16 mm

Existuje i jiný typ protiprachové krytky (volitelné příslušenství), jež napomáhá zamezit prašení na nářadí i na obsluhu při vrtání nad hlavou.

## Nasazení a sejmutí protiprachové krytky (volitelné příslušenství)

► **Obr.23:** 1. Symbol  $\Delta$  2. Drážky 3. Protiprachová krytka

Před nasazením protiprachové krytky vyjměte z nářadí pracovní nástroj, pokud je nasazen. Protiprachovou krytku (volitelné příslušenství) nasadte na nářadí tak, aby byl symbol  $\Delta$  na protiprachové krytce vyrovnán s drážkami v nářadí.

► **Obr.24:** 1. Vrták 2. Kryt sklíčidla

Jestliže chcete protiprachovou krytku sejmout, potáhněte za kryt sklíčidla ve směru naznačeném na obrázku a v této poloze vytáhněte z nářadí pracovní nástroj.

► **Obr.25:** 1. Nástavec na spodní straně protiprachové krytky

Potom nástavec uchopíte za spodní část protiprachové krytky a stáhněte je.

► **Obr.26:** 1. Harmoniková manžeta 2. Nástavec

► **Obr.27:** 1. Vnitřní obvod 2. Plochá strana 3. Nástavec 4. Víčko 5. Drážka

► **Obr.28:** 1. Víčko 2. Nástavec

### POZNÁMKA:

- Při nasazování či snímání protiprachové krytky může z protiprachové krytky odpadnout víčko. V takovém případě postupujte následovně. Z nástavce sejměte harmonikovou manžetu a ze strany naznačené na obrázku nasadte víčko plochou stranou nahoru tak, aby drážka víčka dosedla do vnitřního obvodu nástavce. Nakonec nasadte sejmoutou harmonikovou manžetu.

► **Obr.29**

### POZNÁMKA:

- Připojte-li ke kladivu vysavač, můžete pracovat čistěji. Před připojením je třeba z protiprachové krytky sejmout protiprachové víčko.

## PRÁCE

### ⚠ UPOZORNĚNÍ:


- Při provádění práce vždy používejte boční rukojeť (pomocné držadlo) a pevně nástroj držte za boční rukojeť a rukojeť se spínačem.

## Režim vrtání s přiklepem

### ⚠ UPOZORNĚNÍ:

- V okamžiku, kdy vrták vniká do materiálu, působí na nástroj a na vrták obrovské a náhlé kroutivé síly, pokud dojde k ucpání otvoru třískami a částicemi nebo při nárazu do vyztužovacích tyčí umístěných v betonu. Při provádění práce vždy používejte boční rukojeť (pomocné držadlo) a pevně nástroj držte za boční rukojeť a rukojeť se spínačem. Pokud tak neučiníte, může dojít ke ztrátě kontroly nad nástrojem a potenciálnímu těžkému zranění.

► **Obr.30**

Nastavte volič provozního režimu na symbol . Umístěte pracovní nástroj na požadované místo otvoru a stiskněte spoušť. Na nástroj nevyvíjejte příliš velkou sílu. Nejlepších výsledků dosáhnete pomocí mírného tlaku. Udržujte nástroj v aktuální poloze a dávejte pozor, aby nevyklouzl z otvoru.

Dojde-li k ucpání otvoru třískami nebo částicemi, nevyvíjejte na nástroj větší tlak. Místo toho nechejte běžet nástroj ve volnoběhu a částečně z otvoru vytáhněte pracovní nástroj. Budete-li tento postup několikrát opakovat, otvor se vyčistí a budete moci pokračovat v dalším vrtání.

**POZNÁMKA:** Při spuštění nástroje bez zatížení může při otáčení pracovního nástroje vzniknout výstřednost. Nástroj se při práci automaticky vystředí. Tento stav neovlivňuje přesnost vrtání.


## Vyfukovací nástroj (volitelné příslušenství)

► **Obr.31:** 1. Vyfukovací nástroj

Po vyvrtání otvoru použijte k odstranění prachu z otvoru vyfukovací nástroj.

## Sekání / otloukání / bourání


► **Obr.32**

Nastavte volič provozního režimu na symbol . Nástroj pevně držte oběma rukama. Uveďte nástroj do chodu a vyvíjte na něj mírný tlak, aby nedošlo k nekontrolovanému odskočení nástroje. Příliš velký tlak vyvíjený na nástroj nezvyšuje jeho účinnost.

## Vrtání do dřeva a kovu

### **UPOZORNĚNÍ:**

- Je-li na nástroji umístěno rychlovýměnné sklíčidlo, nikdy nepoužívejte režim „otáčení s příklepem“. Mohlo by dojít k poškození rychlovýměnného sklíčidla. Sklíčidlo se rovněž uvolní při změně směru otáčení nástroje.
- Nadměrným tlakem na nástroj vrtání neurýchlíte. Ve skutečnosti tento nadměrný tlak vede jen k poškození hrotu vašeho vrtáku, snížení účinnosti nástroje a zkrácení jeho životnosti.
- V okamžiku, kdy vrták vniká do materiálu, působí na nástroj a na vrták obrovské síly. Držte nástroj pevně a dávejte pozor, když vrták začíná pronikat do vrtaného dílu.
- Uvíznutý vrták lze jednoduše uvolnit přepnutím přepínače směru otáčení do opačné polohy. Pokud však nástroj nedržíte pevně, může nečekaně vyskočit.
- Malé díly vždy upínejte do svěráku či do podobného upevňovacího zařízení.

Nastavte volič provozního režimu na symbol . Do kovu lze vrtat otvory o maximálním průměru 13 mm a do dřeva o průměru do 32 mm.

**Pro Model** HR2631F, HR2641, HR2630

► **Obr.33:** 1. Sestava sklíčidla (volitelné příslušenství)

Použijte sestavu sklíčidla (volitelné příslušenství). Při instalaci postupujte podle pokynů v části „Instalace a demontáž pracovního nástroje“ uvedené na předchozí straně.

► **Obr.34:** 1. Klíč sklíčidla

Při instalaci pracovní nástroj zasuňte co nejdále do sklíčidla. Sklíčidlo dotáhněte rukou. Do každého ze tří otvorů sklíčidla vložte klíč a dotáhněte směrem vpravo. Při dotahování třemi otvory sklíčidla pracujte rovnoměrně.

Jestliže chcete pracovní nástroj vyjmout, otáčejte klíčem sklíčidla vlevo pouze v jednom z otvorů a pak sklíčidlo povolte rukou.

**Pro Model** HR2631FT, HR2320T, HR2630T

► **Obr.35:** 1. Rychlovýměnné sklíčidlo pro SDS-plus  
2. Ryska na otočné objímce 3. Otočná objímka

► **Obr.36:** 1. Vřeteno 2. Rychlovýměnné sklíčidlo  
3. Ryska na otočné objímce 4. Otočná objímka

Jako standardní vybavení používejte rychlovýměnné sklíčidlo. Při jeho instalaci postupujte podle odstavce „Výměna rychlovýměnného sklíčidla pro SDS-plus“ na předchozí straně.

► **Obr.37:** 1. Rychlovýměnné sklíčidlo 2. Objímka  
3. Prstenec


Přidrže prstenec a otáčením objímkou proti směru hodinových ručiček rozevřete čelisti sklíčidla. Zasuňte vrták co nejdále do sklíčidla. Pevně podržte prstenec a otáčením objímkou ve směru hodinových ručiček sklíčidlo utáhněte.

Při vytahování pracovního nástroje přidrže kroužek a otáčejte pouzdrem vlevo.

## Vrtání pomocí diamantové vrtné korunky

### **UPOZORNĚNÍ:**

- Budete-li vrtání pomocí diamantových vrtných korunek provádět v režimu „otáčení s příklepem“, může dojít k poškození diamantové vrtné korunky.

Při vrtání pomocí diamantových vrtných korunek vždy umístěním voliče režimu do polohy  vyberte režim „pouze otáčení“.

## Provoz s použitím protiprachové krytky (volitelné příslušenství)

► **Obr.38:** 1. Protiprachová krytka

S nasazenou protiprachovou krytkou můžete s nářadím pracovat na ploše stropu.



**POZNÁMKA:**

- Protiprachová krytka (volitelné příslušenství) je určena pouze k vrtání do stavebních materiálů jako je beton a malta. Nářadí s protiprachovou krytkou nepoužívejte k vrtání do kovu a podobných materiálů. Použití protiprachové krytky při vrtání do kovu může způsobit poškození protiprachové krytky vlivem tepla z kovových třísek atp.
- Protiprachovou krytku před vyjmutím vrtáku vysypte.
- Při použití protiprachové krytky se ujistěte, zda je na ní pevně nasazeno protiprachové víčko.

- Boční rukojeť
- Hloubkoměr
- Vyfukovací nástroj
- Protiprachová krytka
- Ochranné brýle
- Plastový kuffík
- Bezklíčové sklíčidlo vrtáčky

**POZNÁMKA:**

- Některé položky seznamu mohou být k zařízení přibaleny jako standardní příslušenství. Přibalené příslušenství se může v různých zemích lišit.

## ÚDRŽBA

**⚠ UPOZORNĚNÍ:**

- Než začnete provádět kontrolu nebo údržbu nástroje, vždy se přesvědčte, že je vypnutý a vytažený ze zásuvky.
- Nikdy nepoužívejte benzín, benzen, ředidlo, alkohol či podobné prostředky. Mohlo by tak dojít ke změnám barvy, deformacím či vzniku prasklin.

Kvůli zachování BEZPEČNOSTI a SPOLEHLIVOSTI výrobku musí být opravy, kontrola a výměna uhlíků a veškerá další údržba či seřizování prováděny autorizovanými servisními středisky firmy Makita a s použitím náhradních dílů Makita.

## VOLITELNÉ PŘÍSLUŠENSTVÍ

**⚠ UPOZORNĚNÍ:**

- Pro váš nástroj Makita, popsáný v tomto návodu, doporučujeme používat toto příslušenství a nástavce. Při použití jiného příslušenství či nástavců může hrozit nebezpečí zranění osob. Příslušenství a nástavce lze používat pouze pro jejich stanovené účely.

Potřebujete-li bližší informace ohledně tohoto příslušenství, obraťte se na vaše místní servisní středisko firmy Makita.

- Nástroje s karbidovým ostřím SDS-Plus
- Vrtná korunka
- Tyč s hrotem
- Diamantová jádrová vrtná korunka
- Plochý sekáč
- Oškrt
- Drážkovací dláto
- Sestava sklíčidla
- Sklíčidlo S13
- Adaptér sklíčidla
- Klíč sklíčidla S13
- Vazelína na nástroj



**Makita Europe N.V.** Jan-Baptist Vinkstraat 2,  
3070 Kortenberg, Belgium

**Makita Corporation** 3-11-8, Sumiyoshi-cho,  
Anjo, Aichi 446-8502 Japan

[www.makita.com](http://www.makita.com)

885385B976 EN, UK, PL, RO, DE, HU, SK, CS 20160722
---