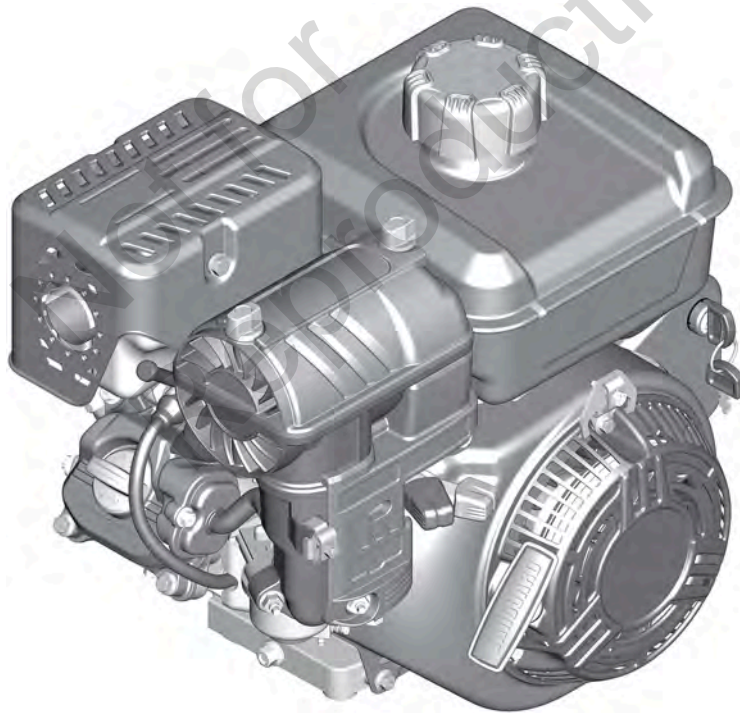


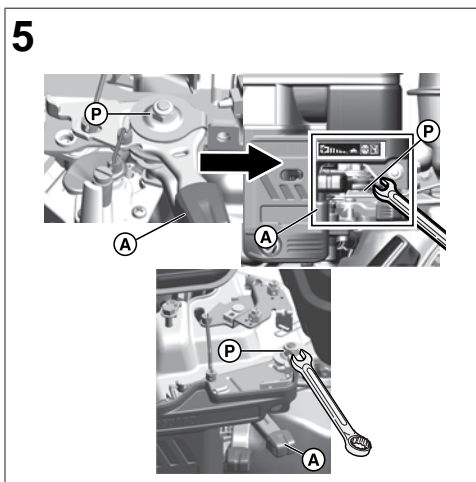
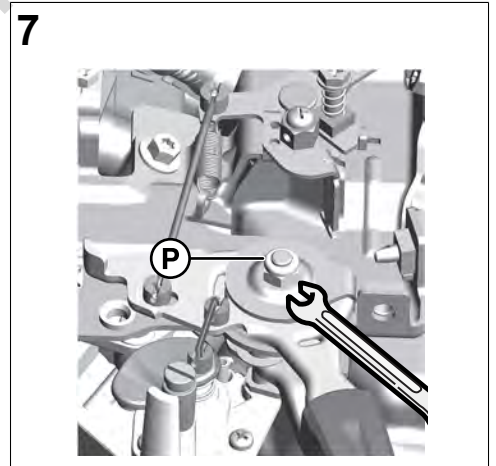
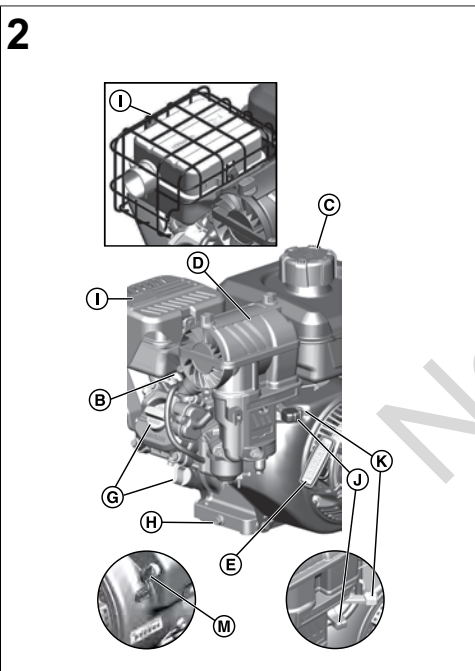
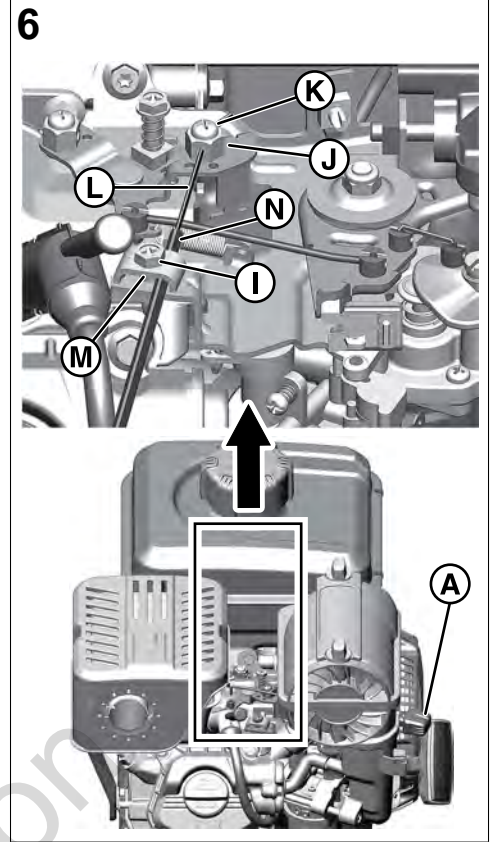
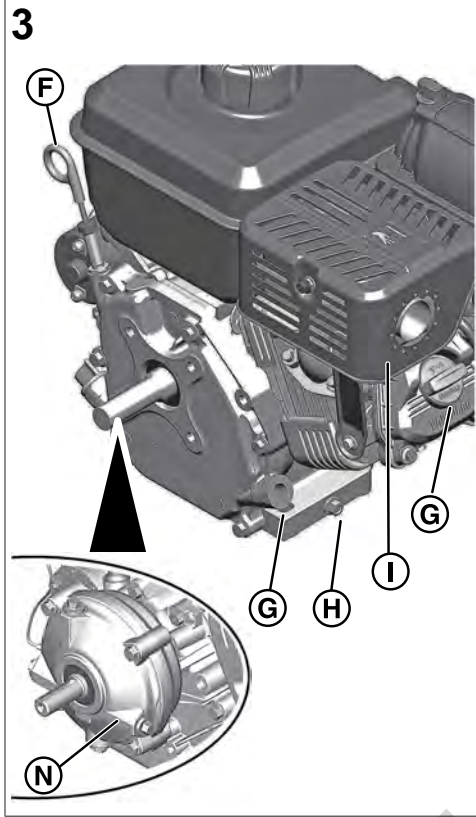
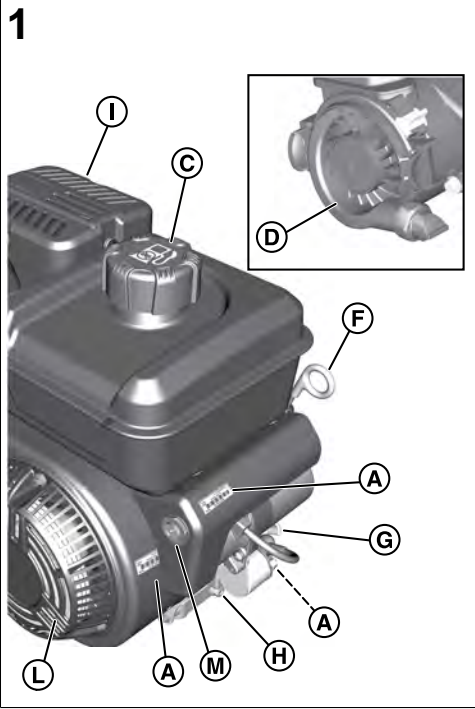
VANGUARD®



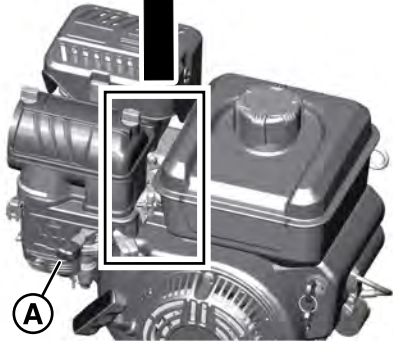
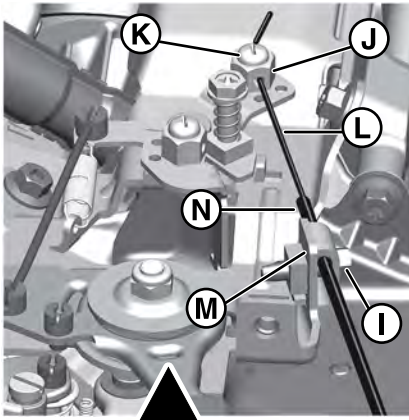
- | | | | |
|----|----------------------------|----|-----------------------------|
| en | Operator's Manual | lv | Operatora rokasgrāmata |
| bg | Инструкции за експлоатация | pl | Instrukcja obsługi |
| cs | Návod k obsluze | ro | Manual de utilizare |
| et | Kasutusjuhend | ru | Руководство по эксплуатации |
| hr | Priručnik za operatora | sk | Návod na obsluhu |
| hu | Kezelési útmutató | sl | Priročnik za uporabo |
| it | Naudojimo instrukcija | tr | Kullanma Kilavuz |

10V000, 12V000, 25V000

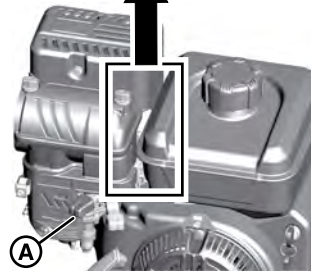
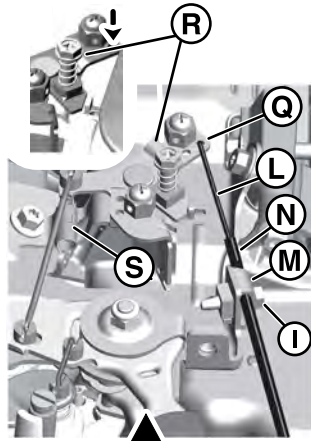




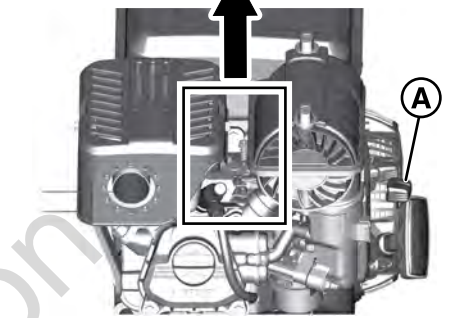
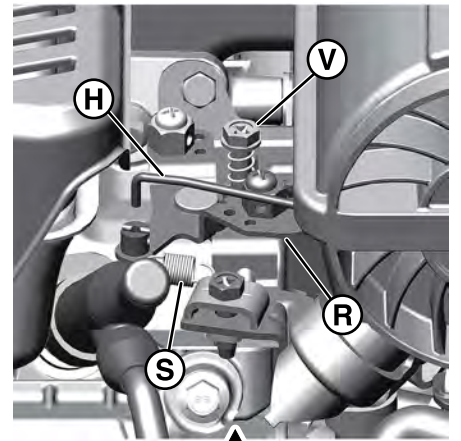
8



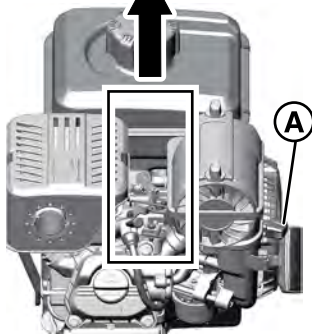
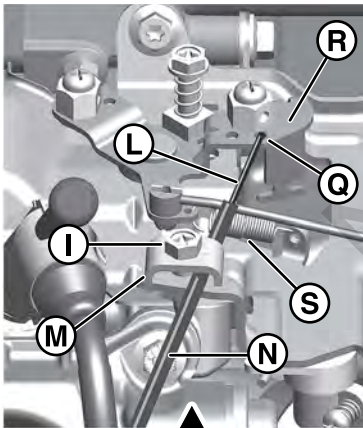
10



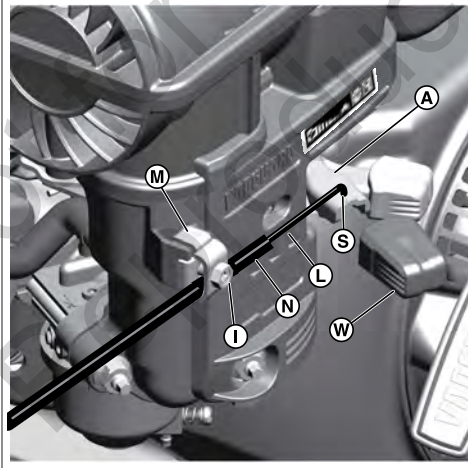
13



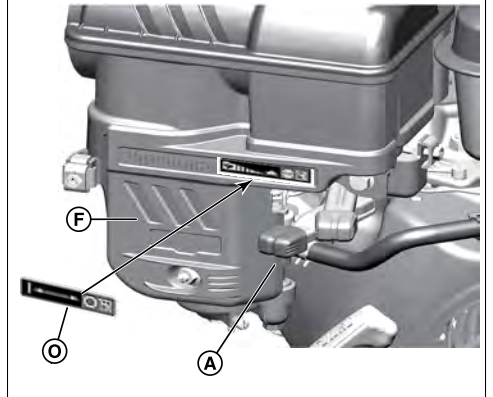
9



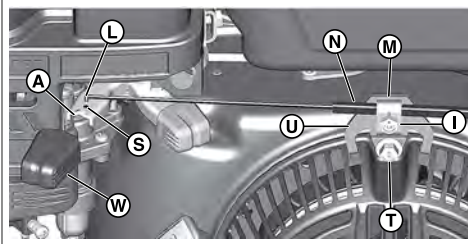
11



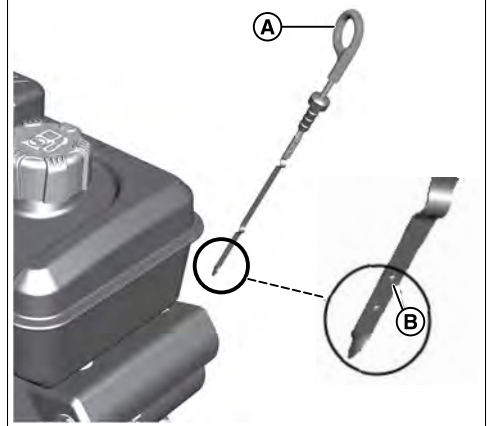
14



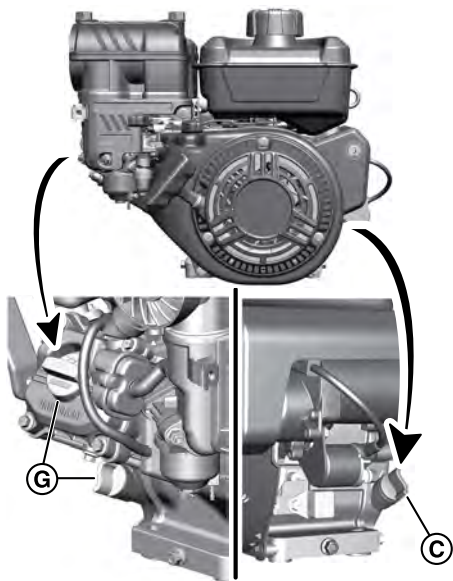
12



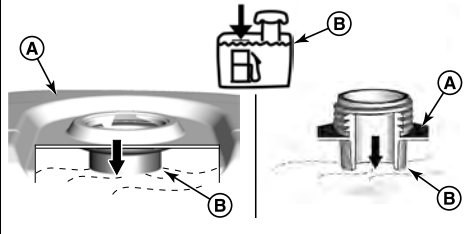
15



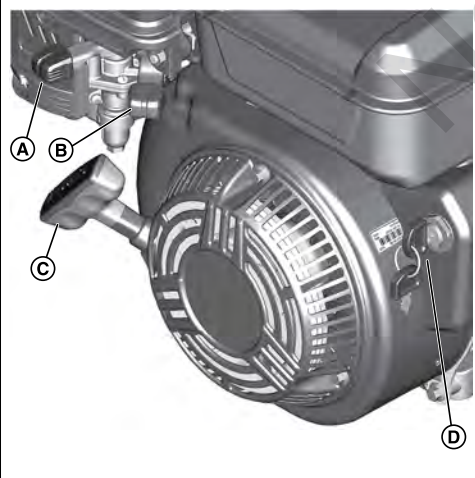
16



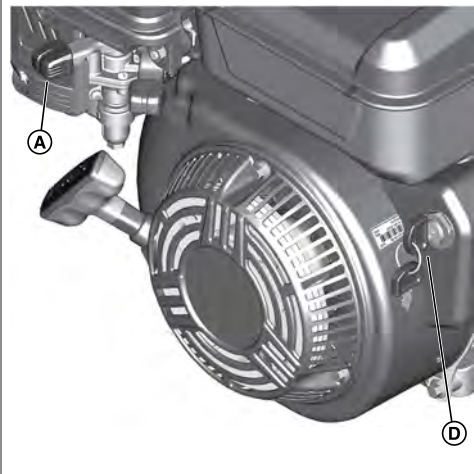
17



18



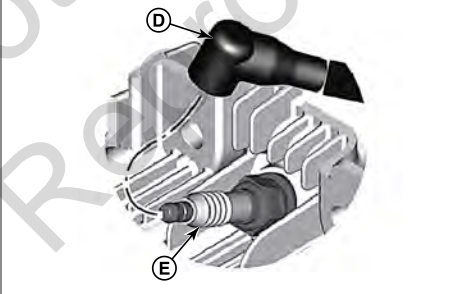
19



20



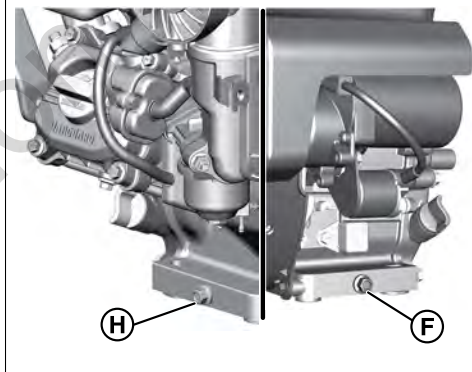
21



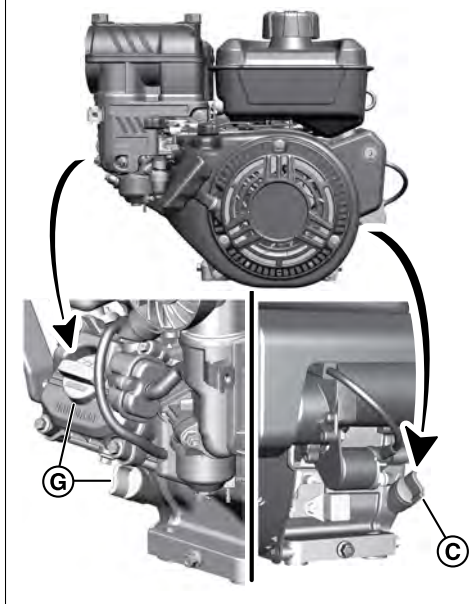
22



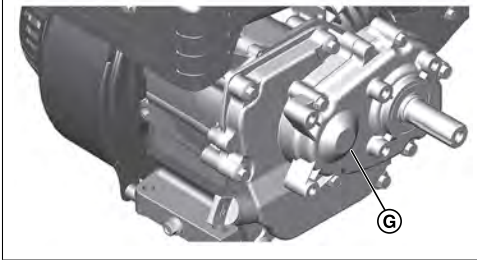
23



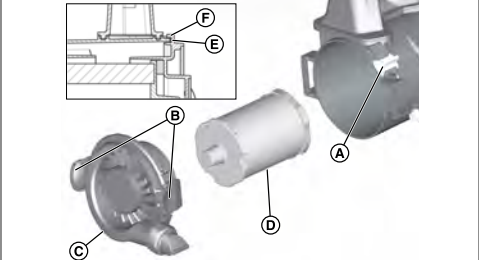
24



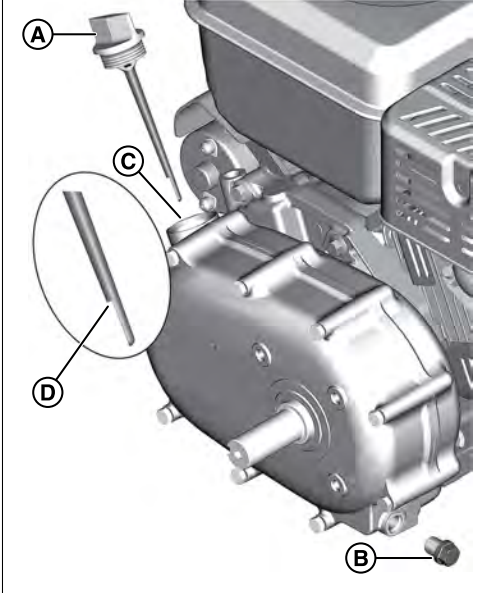
25



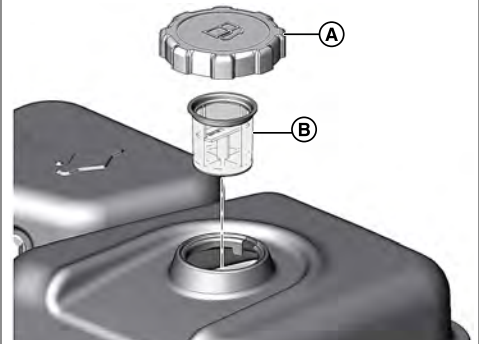
29



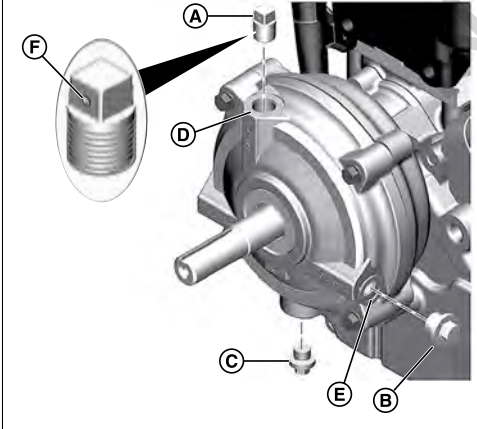
26



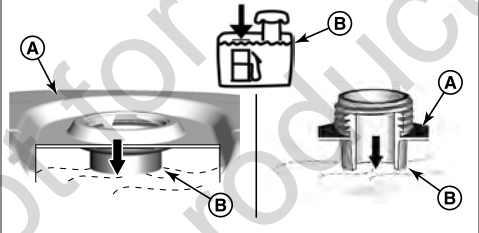
30



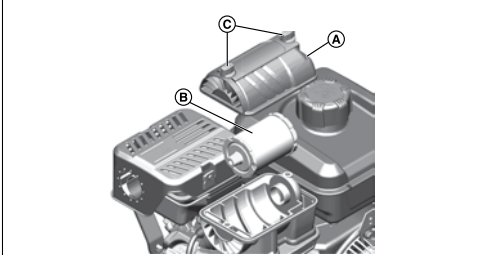
27



31



28



General Information



This manual contains the safety information about the hazards and risks related to the engine and how to prevent them. It also contains the correct operation and maintenance of this engine. It is important that you read, understand, and obey these instructions. **Keep this manual for future reference.**

NOTE: The figures and illustrations in this manual are for information only and can be different from your model. Use the figures that align with your engine configuration. If it is necessary, speak to an Authorized Service Dealer.

Record the date of purchase, engine model, type, trim, and the engine serial number for replacement parts. These numbers are on your engine. Refer to the **Features and Controls** section.

Date of Purchase	
Engine Model - Type - Trim	
Engine Serial Number	

European Office Contact Information

For questions related to European emissions, contact our European office at:

Max-Born-Straße 2, 68519 Viernheim, Germany.

European Union (EU) Stage V (5): Carbon Dioxide (CO₂) Values

Enter CO₂ in the search window on BriggsandStratton.com to find carbon dioxide values of Briggs & Stratton EU Type-Approval Certificate engines.

Operator Safety

Safety Alert Symbol and Signal Words



The safety alert symbol identifies safety information about hazards that could result in personal injury. A signal word (**DANGER**, **WARNING**, or **CAUTION**) is used to indicate the likelihood and the potential severity of injury. In addition, a hazard symbol is used to represent the type of hazard.

DANGER indicates a hazard which, if not avoided, **will** result in death or serious injury.

WARNING indicates a hazard which, if not avoided, **could** result in death or serious injury.

CAUTION indicates a hazard which, if not avoided, **could** result in minor or moderate injury.

NOTICE indicates information considered important but not hazard-related.

Hazard Symbols and Meanings

	Safety information about hazards that can result in personal injury.		Read and understand the Operator's Manual before operating or servicing the unit.
	Fire Hazard		Explosion Hazard
	Shock Hazard		Toxic Fume Hazard
	Hot Surface Hazard		Kickback Hazard
	Amputation Hazard - Moving Parts		Fuel Level - Maximum Do Not Overfill

Safety Messages



WARNING

Briggs & Stratton® Engines are not designed for and are not to be used to power: fun-karts; go-karts; children's, recreational, or sport all-terrain vehicles (ATVs); motorbikes; hovercraft; aircraft products; or vehicles used in competitive events not sanctioned by Briggs & Stratton. For information about competitive racing products, see www.briggsracing.com. For use with utility and side-by-side ATVs, please contact Briggs & Stratton Power Application Center, 1-866-927-3349. Incorrect engine use could result in serious injury or death.

Recycling Information

		Recycle all cartons, boxes, used oil, and batteries as specified by government regulations.
--	--	---

Features and Controls

Engine Controls

Compare the callout letters in Figures 1, 2, and 3 to the engine controls in the list that follows:

- A. Engine Identification Numbers **Model - Type - Code**
- B. Spark Plug
- C. Fuel Tank and Cap
- D. Air Cleaner
- E. Starter Cord Handle
- F. Oil Dipstick
- G. Oil Fill
- H. Oil Drain Plug
- I. Muffler, Muffler Guard (if installed), Spark Arrester (if installed)
- J. Throttle Control / Fuel Shut-off / TransportGuard™
- K. Choke Control
- L. Air Intake Grille
- M. Electric Start Switch (if installed)
- N. Reduction Unit (if installed)

Some engines and equipment have remote controls. See the equipment manual for the location and operation of remote controls.

Engine Control Symbols and Meanings

	Engine Speed - FAST		Engine Speed - SLOW
	Engine Speed - STOP		ON - OFF
	Engine Start Choke CLOSED		Engine Start Choke OPEN
	Fuel Cap Fuel Shut-off OPEN		Fuel Shut-off CLOSED

Assembly

Throttle Control Conversion

The standard engine has a manual throttle control. To operate the manual throttle control, install a remote throttle control, or convert to a fixed speed. Refer to the instructions that follow.

NOTE: The engine speed must be correct as specified by the equipment manufacturer's performance specifications. Contact a Briggs & Stratton Authorized Service Dealer for assistance.

Manual Throttle Control

1. Move the throttle control / TransportGuard[®] lever (A, Figure 4) to the OFF position.
2. Remove the spring (S, Figure 4).

Remote Throttle Control with Braided Wire Cable

A remote throttle control with a braided wire cable can be installed in one of two directions: **Cylinder Head Direction** or **Front Direction**.

Cylinder Head Direction

1. Move the throttle control / TransportGuard[™] lever (A, Figure 5) to the OFF position.
2. Use a 10 mm wrench and loosen the nut (P, Figure 5) ½ turn on the throttle control / TransportGuard[®] lever (A).
3. Hold the cable mounting nut (J, Figure 6) with a 10 mm wrench and loosen the screw (K).
4. Install the cable wire (L, Figure 6) through the hole in the cable mounting nut (J), and tighten the screw (K). Make sure that the cable wire (L) does not extend more than ½" (12,7 mm) past the hole.
5. Loosen the screw (I, Figure 6). Attach the cable sleeve (N) under the cable clamp (M), and tighten the screw (I).
6. Check the operation of the remote throttle control. Move the remote throttle control from slow to fast 2-3 times. Make sure that remote throttle control and the cable wire (L, Figure 6) moves freely. Adjust the nut (P, Figure 7) as necessary for the specified position.

Front Direction

1. Adjust the throttle control / TransportGuard[™] lever:
 - a. **For 10V000 and 12V000 engine models:** Move the throttle control / TransportGuard[™] lever (A, Figure 8) to the FAST position.
 - b. **For 25V000 engine models:** Move the throttle control / TransportGuard[™] lever (A, Figure 8) to the OFF position.
2. Use a 10 mm wrench and loosen the nut (P, Figure 7) ½ turn on the throttle control / TransportGuard[®] lever (A).
3. Hold the cable mounting nut (J, Figure 8) with a 10 mm wrench and loosen the screw.
4. Install the cable wire (L, Figure 8) through the hole in the cable mounting nut (J) and tighten the screw (K). Make sure that the cable wire (L) does not extend more than ½" (12,7 mm) past the hole.
5. Loosen the screw (I, Figure 8). Attach the cable sleeve (N) under the clamp (M) and tighten the screw (I).
6. Check the operation of the remote throttle control. Move the remote throttle control from slow to fast 2-3 times. Make sure that the remote throttle control and the cable (L, 8) moves freely. Adjust the nut (P, Figure 7) as necessary for the specified position.

Remote Throttle Control with Solid Wire Cable

A remote throttle control with a solid wire cable can be installed in one of four directions: **Cylinder Head Direction**, **Front Direction**, **Left Direction**, or **Right Direction**.

Cylinder Head Direction

1. Move the throttle control / TransportGuard[®] lever (A, Figure 9) to the OFF position.
2. Remove the spring (S, Figure 9).
3. Move the throttle control / TransportGuard[®] lever (A, Figure 9) to the FAST position.
4. Use a 10 mm wrench and loosen the nut (P, Figure 4) ½ turn on the throttle control / TransportGuard[®] lever (A).
5. Install the Z-fitting of the solid wire cable (Q, Figure 9) to one of the small holes in the bellcrank (R).
6. Loosen the screw (I, Figure 9). Attach the cable sleeve (N) under the cable clamp (M), and tighten the screw (I).
7. Check the operation of the remote throttle control. Move the remote throttle control from slow to fast 2-3 times. Make sure that remote throttle control and the cable wire (L, Figure 9) moves freely. Adjust the nut (P, Figure 4) as necessary for the specified position.

Front Direction

1. Move the throttle control / TransportGuard[®] lever (A, Figure 10) to the OFF position.
2. Remove the spring (S, Figure 10).
3. Move the throttle control / TransportGuard[®] lever (A, Figure 10) to the FAST position.
4. Use a 10 mm wrench and loosen the nut (P, Figure 4) ½ turn on the throttle control / TransportGuard[®] lever (A).

5. Install the Z-fitting of the solid wire cable (Q, Figure 10) to one of the two small holes in the bellcrank (R).
6. Loosen the screw (I, Figure 10). Attach the cable sleeve (N) under the clamp (M) and tighten the screw (I).
7. Check the operation of the remote throttle control. Move the remote throttle control from slow to fast 2-3 times. Make sure that the remote throttle control and the cable (L, Figure 10) moves freely. Adjust the nut (P, Figure 4) as necessary for the specified position.

Left Direction

1. Move the throttle control / TransportGuard[®] lever (A, Figure 11) to the OFF position.
2. Remove the spring (S, Figure 4).
3. Move the throttle control / TransportGuard[®] lever (A, Figure 11) to the FAST position.
4. Use a 10 mm wrench and loosen the nut (P, Figure 4) ½ turn on the throttle control / TransportGuard[®] lever (A, Figure 11).
5. Remove the throttle control knob (W, Figure 11) to get to the small hole (S).
6. Install the Z-fitting of the solid wire cable (L, Figure 11) to the small hole (S) in the throttle control lever (A).
7. Loosen the screw (I, Figure 11). Attach the cable sleeve (N) under the clamp (M) and tighten the screw (I).
8. Check the operation of the remote throttle control. Move the remote throttle control from slow to fast 2-3 times. Make sure that the remote throttle control and the cable (L, Figure 11) moves freely. Adjust the nut (P, Figure 4) as necessary for the specified position.

Right Direction

To install a remote throttle control from the right direction, a cable mounting bracket (U, Figure 12) is required. Refer to the **Specifications and Service Parts** section for the part number. To purchase a cable mounting bracket, contact a Briggs & Stratton Authorized Service Dealer.

1. Move the throttle control / TransportGuard[®] lever (A, Figure 12) to the OFF position.
2. Remove the spring (S, Figure 4).
3. Remove the throttle control knob (W, Figure 12) to expose the small hole (S).
4. Move the throttle control / TransportGuard[®] lever (A, Figure 12) to the FAST position.
5. Use a 10 mm wrench and loosen the nut (P, Figure 4) ½ turn on the throttle control / TransportGuard[®] lever (A, 12).
6. Install the Z-fitting of the solid wire cable (L, Figure 12) to the small hole (S) in the throttle control lever (A).
7. Remove the bolt (T, Figure 12). Install the cable mounting bracket (U) as shown. Attach the cable mounting bracket (U) with the bolt (T). Tighten the bolt (T) to 30 lb-in (3,4 Nm). Refer to the **Specifications and Service Parts** section.
8. Loosen the screw (I, Figure 12). Attach the cable sleeve (N) under the clamp (M) and tighten the screw (I).
9. Examine the operation of the remote throttle control. Move the remote throttle control from slow to fast 2-3 times. Make sure that the remote throttle control and the cable (L, Figure 12) moves freely. Adjust the nut (P, Figure 4) as necessary for the specified position.

Fixed Engine Speed (No Throttle Control Cable)

When converted to a **Fixed Engine Speed**, a throttle control cable is not installed and there is no speed selection. FAST is the only engine speed.

1. Move the throttle control / TransportGuard[®] lever (A, Figure 13) to the OFF position.
2. Remove the spring (S, Figure 13).
3. Move the throttle control / TransportGuard[®] lever (A, Figure 13) to the FAST position.
4. Make sure the wire retainer screw (V, Figure 13) aligns with the hole in the bracket. Tighten the screw (V) to 25 lb-in (2,8 Nm).
5. Remove the control link (H, Figure 13).

NOTE: At this time, the throttle control / TransportGuard[®] lever will only have two positions: STOP / OFF position and RUN position.

6. Install the new ON / OFF TransportGuard[®] label (O, Figure 14) over the existing speed control label located on the trim panel (F).

Operation



WARNING Fuel vapors are flammable and explosive. Fire or explosion could result in burns or death.

If you smell gas

- Do not start the engine.
- Do not switch on electrical switches.
- Do not use a phone in the vicinity.
- Evacuate the area.
- Contact the fire department.

When you operate the equipment

- Do not tilt the engine or the equipment at an angle which causes fuel to spill.

When you move the location of the equipment

- Make sure that the fuel tank is EMPTY or that the fuel shut-off valve, if installed, is in the CLOSED position.

Check the Oil Level

Before you check or add oil

- Make sure that the engine is level.
- Clean the oil area of debris.
- See the **Specifications** section for oil capacity.

NOTICE

This engine was shipped from Briggs & Stratton without oil. Equipment manufacturers or dealers could have added oil to the engine. Before you start the engine for the first time, make sure that the oil is at the correct level. Add oil as specified by the instructions in this manual. If you start the engine without oil, damage will occur and the engine will not be repaired under warranty.

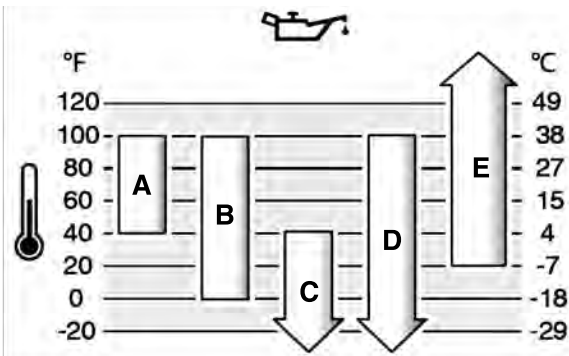
1. Remove the dipstick (A, Figure 15) and clean with a cloth
2. Install and tighten the dipstick (A, Figure 15).
3. Remove the dipstick and check the oil level. Make sure that the oil level is at the top of the full indicator (B, Figure 15) on the dipstick.
4. The engine has two oil fills (C, G, Figure 16). If the oil level is low, slowly add oil into the engine oil fills (C, G). Do not add too much oil. After you add oil, wait one minute and check the oil level again. Make sure that the oil level is correct.
5. Install and tighten the dipstick (A, Figure 15).

Oil Recommendations

Oil Capacity: Refer to the **Specifications** section.

We recommend the use of Briggs & Stratton® Warranty Certified oils for best performance. Other high-quality detergent oils are permitted if classified for service SF, SG, SH, SJ or higher. Do not use special additives.

Use the chart to select the best viscosity for the outdoor temperature range expected. Engines on most outdoor power equipment operate good with 5W-30 Synthetic oil. For equipment operated in hot temperatures, Vanguard® 15W-50 Synthetic oil gives the best protection.



A	SAE 30 - Below 40 °F (4 °C) the use of SAE 30 will result in hard starting.
B	10W-30 - Above 80 °F (27 °C) the use of 10W-30 may cause increased oil consumption. Check the oil level frequently.
C	5W-30
D	Synthetic 5W-30
E	Vanguard® Synthetic 15W-50

Low Oil Protection System (if installed)

A low oil sensor is installed on some engines. If the oil is low, the sensor will show a warning light or stop the engine. Stop the engine and do the steps that follow before you start the engine.

- Make sure that the engine is level.
- Do an oil check. Refer to the **Check Oil Level** section.
- If the oil level is low, add the correct amount of oil. Start the engine and make sure that the warning light (if installed) does not come on.
- If the oil level is not low, do not start the engine. Contact a Briggs & Stratton Authorized Service Dealer to correct the oil problem.

Fuel Recommendations

Fuel must meet these requirements:

- Clean, fresh, unleaded gasoline.
- A minimum of 87 octane/87 AKI (91 RON). High altitude use, see below.
- Gasoline with up to 10% ethanol (gasohol) is permitted.

NOTICE

Do not use unapproved gasoline, such as E15 and E85. Do not mix oil in gasoline or change the engine to operate on alternate fuels. Use of unapproved fuels could result in damage to engine components, which will not be repaired under the warranty.

To protect the fuel system from gum formation, and corrosion, mix an alcohol-free fuel stabilizer and ethanol treatment into the fuel. Refer to the **Storage** section. All fuel is not the same. If start or performance problems occur, change fuel providers or brands. This engine is certified to operate on gasoline. The emissions control system for carbureted engines is EM (Engine Modifications). The emissions control systems for engines with electronic fuel injection are ECM (Engine Control Module), MFI (Multiport Fuel Injection), TBI (Throttle Body Fuel Injection) and if equipped an O2S (Oxygen Sensor).

High Altitude

At altitudes over 5,000 feet (1524 meters), a minimum 85 octane/85 AKI (89 RON) gasoline is permitted.

For carbureted engines, high altitude adjustment is required to maintain performance. Operation without this adjustment will cause decreased performance, increased fuel consumption, and increased emissions. Contact a Briggs & Stratton Authorized Service Dealer for high altitude adjustment information. Operation of the engine at altitudes below 2,500 feet (762 meters) with the high altitude adjustment is not recommended.

For Electronic Fuel Injection (EFI) engines, no high altitude adjustment is necessary.

Add Fuel



WARNING Fuel and its vapors are flammable and explosive. Fire or explosion could result in burns or death.

When you add fuel

- Stop the engine. Before you remove the fuel cap, wait a minimum of two (2) minutes to make sure that the engine is cool.
- Fill the fuel tank outdoors or in an area that has good airflow.
- Do not put too much fuel in the tank. For expansion of the fuel, do not fill above the bottom of the fuel tank neck.
- Keep fuel away from sparks, open flames, pilot lights, heat, and other ignition sources.
- Frequently examine the fuel lines, fuel tank, fuel cap, and connections for cracks or leaks. Replace damaged parts.
- If fuel spills, wait until it dries before you start the engine.

1. Clean the fuel cap area of dirt and debris. Remove the fuel cap.
2. Fill the fuel tank (A, Figure 17) with fuel. Because fuel will expand, do not fill above the bottom of the fuel tank neck (B).
3. Install the fuel cap.

Start the Engine



WARNING

POISONOUS GAS HAZARD. Engine exhaust contains carbon monoxide, a poisonous gas that could kill you in minutes. Although you do not smell exhaust fumes, you could still be exposed to dangerous carbon monoxide gas. If you feel sick, dizzy, or weak while you use this product, get to fresh air RIGHT AWAY. See a doctor. You may have carbon monoxide poisoning.

- Carbon monoxide gas can collect in occupied spaces. To reduce the risk of carbon monoxide gas, ONLY operate this product outdoors and far away from windows, doors and vents.
- Install battery-operated carbon monoxide alarms or plug-in carbon monoxide alarms with battery back-up as specified by the manufacturer's instructions. Smoke alarms cannot sense carbon monoxide gas.
- DO NOT operate this product in homes, garages, basements, crawlspaces, sheds, or other closed spaces, even if you use fans or open doors and windows for ventilation. After the operation of this product, carbon monoxide can quickly collect in these spaces and stay for hours.
- ALWAYS put this product downwind and point the engine exhaust away from occupied spaces.



WARNING

Fuel and its vapors are flammable and explosive. Fire or explosion could result in burns or death.

When you start the engine

- Make sure that the spark plug, muffler, fuel cap and air cleaner (if equipped) are correctly installed.
- Do not crank the engine with the spark plug removed.
- If the engine is flooded, set the choke (if equipped) to the OPEN or RUN position. Move the throttle (if equipped) to the FAST position and crank until the engine starts.
- If there is natural or LP gas leakage in the area, do not start the engine.
- Because vapors are flammable, do not use pressurized starter fluids.



WARNING

Rotating parts can entangle hands, feet, hair, clothing, or accessories and result in traumatic amputation or laceration.

- Operate equipment with the guards correctly installed.
- Keep hands and feet away from rotating parts.
- Remove jewelry and make sure that long hair is away from all rotating parts.
- Do not wear loose clothes or items that could become caught.



WARNING

Fast retraction of the starter cord (kickback) will pull your hand and arm to the engine faster than you can let go. Broken bones, fractures, bruises or sprains could result.

- To prevent kickback when you start the engine, pull the starter cord slowly until resistance is felt and then pull quickly.
- Before you start the engine, disconnect or remove all external equipment and engine loads.
- Make sure that direct-coupled equipment components, such as, but not limited to, blades, impellers, pulleys, and sprockets, are correctly attached.

NOTE: Your equipment could have remote controls. Refer to the equipment manual for location and operation of remote controls.

1. Check the engine oil. Refer to **Check Oil Level** section.
2. Make sure that the equipment drive controls, if equipped, are disengaged.
3. Move the throttle control lever / TransportGuard® (A, Figure 18), if equipped, to the FAST or RUN position. Operate the engine in the FAST or RUN position.
4. Move the choke control (B, Figure 18) to the CLOSED position.

The choke is usually not necessary when you start a warm engine.

5. **Rewind Start, if equipped:** Tightly hold the starter cord handle (C, Figure 18). Pull the starter cord handle slowly until resistance is felt, then pull quickly.



WARNING

Fast retraction of the starter cord (kickback) will pull your hand and arm to the engine faster than you can let go. Broken bones, fractures, bruises or sprains could result.

- To prevent kickback when you start the engine, pull the starter cord slowly until resistance is felt and then pull quickly.
 - Before you start the engine, disconnect or remove all external equipment and engine loads.
 - Make sure that direct-coupled equipment components, such as, but not limited to, blades, impellers, pulleys, and sprockets, are correctly attached.
6. **Electric Start, if equipped:** Turn the electric start switch (D, Figure 18) to the START position.

NOTICE

To extend the life of the starter, use short start cycles (five seconds maximum). Wait one minute between start cycles.

7. As the engine warms, move the choke control (B, Figure 18) to the OPEN position.

If the engine does not start after 2 or 3 times, contact your local dealer or go to vanguardpower.com or call 1-800-999-9333 (in USA).

Stop the Engine



WARNING

Fuel and its vapors are flammable and explosive. Fire or explosion could result in burns or death.

- Do not choke the carburetor (if equipped) to stop the engine.

Throttle Control / TransportGuard®: Move the throttle control / TransportGuard® (A, Figure 19) to the OFF or STOP position.

NOTE: When the throttle control / TransportGuard® (A, Figure 19) is in the OFF or STOP position, the fuel valve is in the OFF position. Always move the throttle control / TransportGuard® to the OFF or STOP position during transport of the equipment.

NOTE: The key (D, Figure 19) does not stop the engine. The key ONLY starts the engine. Always remove the key (D), and keep it in a safe location out of reach of children.

Maintenance

Maintenance Information



WARNING

Fuel and its vapors are flammable and explosive. Fire or explosion could result in burns or death.

During maintenance if it is necessary to tilt the unit, make sure that the fuel tank, if mounted on the engine, is empty and that the spark plug side is up. If the fuel tank is not empty, leakage can occur and could result in a fire or an explosion. If the engine is tilted in a different direction, it will not easily start because of oil or fuel contamination of the air filter or the spark plug.



WARNING

Accidental engine spark can cause an electric shock, fire or explosion and could result in entanglement, traumatic amputation or laceration.

Before you make adjustments or repairs:

- Disconnect all spark plug wires and keep them away from the spark plugs.
- Disconnect the battery wire from the negative battery terminal (only engines with electric start).
- Use only the correct tools.

When you check for spark:

- Use an approved spark plug tester.
- Do not check for spark with the spark plug removed.

**WARNING**

Replacement parts must be of the same design and installed in the same position as the original parts. Other parts could result in damage or an injury.

NOTICE

All the components used to build this engine must remain in place for correct operation. See a Briggs & Stratton Authorized Service Dealer for all maintenance and servicing of the engine and engine parts.

Emissions Control Service

For maintenance, replacement, or repair of emissions control devices and systems, contact a qualified off-road engine repair establishment or service technician. However, for "no charge" emissions control service, the work must be done by a factory authorized dealer. Refer to the Emissions Control Statements.

Maintenance Schedule

First 5 Hours
<ul style="list-style-type: none"> Change the oil.
Intervals of 8 Hours or Daily
<ul style="list-style-type: none"> Check the engine oil level. Clean the area around the muffler and controls. Clean the air intake grille.
Intervals of 100 Hours or Annually
<ul style="list-style-type: none"> Service the exhaust system. Change oil in Reduction Unit (if installed).
Intervals of 200 Hours or Annually
<ul style="list-style-type: none"> Change the engine oil. Clean the air filter¹
Intervals of 600 Hours or 3 Years
<ul style="list-style-type: none"> Replace the air filter.
Annually
<ul style="list-style-type: none"> Replace the spark plug. Service the fuel system. Service the cooling system¹. Check the valve clearance².

¹Clean more frequently in dusty conditions or when many particles are in the air.

²Not necessary unless engine problems occur.

Carburetor and Engine Speed

Do not make adjustments to the carburetor, governor spring, linkages, or other parts to adjust the engine speed. If adjustments are necessary, contact a Briggs & Stratton Authorized Service Dealer for servicing.

NOTICE

The equipment manufacturer specifies the maximum speed for the engine as installed on the equipment. Do not exceed this speed. If you are not sure what the equipment maximum speed is, or what the engine speed is set to from the factory, contact a Briggs & Stratton Authorized Service Dealer for assistance. For safe and correct operation of the equipment, the engine speed should only be adjusted by a qualified service technician.

Servicing the Spark Plug

Check the spark plug gap (A, Figure 20) with a wire gauge (B). If necessary, set the spark plug gap. Install and tighten the spark plug to the correct torque. For gap and torque specifications, refer to the **Specifications** section.

Servicing the Exhaust and Cooling Systems

**WARNING**

During operation, the engine and muffler become hot. If you touch a hot engine, thermal burns can occur.

Combustible materials, such as leaves, grass and brush, can catch fire.

- Before you touch the engine or muffler, stop the engine and wait two (2) minutes. Make sure that the engine and muffler are safe to touch.
- Remove debris from the muffler and engine.

It is a violation of California Public Resource Code, Section 4442, to use or operate the engine on any forest-covered, brush-covered, or grass-covered land unless the exhaust system is equipped with a spark arrester, as defined in section 4442, maintained in effective working order. Other states or federal jurisdictions may have similar laws; reference Federal Regulation 36 CFR Part 261.52. Contact the original equipment manufacturer, retailer, or dealer to obtain a spark arrester designed for the exhaust system installed on this engine.

This is an air cooled engine. Dirt or unwanted material can prevent air flow and cause the engine to become too hot. This results in unsatisfactory performance and decreases the life of the engine. The cylinder cooling fins can collect unwanted material that cannot be removed without partial disassembly of the engine. Make sure that a Briggs & Stratton Authorized Service Dealer examines and cleans the air cooling system. Refer to the **Maintenance Schedule**.

- Make sure that no combustible materials are around and behind the muffler.
- Use a brush or dry cloth to remove all unwanted material from the blower housing cover, muffler and cylinder area. DO NOT use water to clean the engine.
- Make sure that the linkage, springs, and controls are clean.
- Examine the muffler for cracks, corrosion, or other damage.
- Remove the deflector or the spark arrester, if installed, and examine for damage or carbon blockage. Make sure that you clean or install the replacement parts before you operate the equipment.
- If Installed, make sure that the oil cooler fins are clean.

Change Engine Oil

**WARNING**

Fuel and its vapors are flammable and explosive. Fire or explosion could result in burns or death.

During operation, the engine and muffler become hot. If you touch a hot engine, thermal burns can occur.

- If you drain the oil from the top oil fill tube, the fuel tank must be empty. If it is not empty, fuel leakage can occur and cause a fire or an explosion.
- Before you touch the engine or muffler, stop the engine and wait two (2) minutes. Make sure that the engine and muffler are safe to touch.

Used oil is a hazardous waste product and must be discarded of correctly. Do not discard with household waste. Contact your local authorities, service center, or dealer for safe disposal or recycling facilities.

For **Just Check & Add™** models, an oil change is not necessary. If an oil change is necessary, refer to the procedure that follows.

Remove Oil

- With engine off but warm, disconnect the spark plug wires (D, Figure 21) and keep it away from the spark plug(s) (E).
- Remove the dipstick (A, Figure 22).
- The engine has two oil drain plugs (H, F, Figure 23). Remove the oil drain plugs (H, F). Drain the oil into an approved container.
- Install and tighten the oil drain plugs (H, F, Figure 23).

Add Oil

- Make sure that the engine is level.
- Clean the oil fill area of all unwanted material.
- Refer to the **Specifications** section for oil capacity.

- Remove the dipstick. Refer to the **Remove Oil** section.
- Slowly add oil into one of the engine oil fills (C, G, Figure 24). Do not add too much oil.
- Wait one minute, and then, check the oil level.
- Install the dipstick.
- Remove the dipstick and check the oil level. The correct oil level is at the top of the full indicator on the dipstick. Refer to the **Check the Oil Level** section.

- Install and tighten the dipstick again.
- Connect the spark plug wire(s) to the spark plug(s). Refer to the **Remove Oil** section.

Change Gear Reduction Oil

Some engines are equipped with a Gear Reduction Unit. If equipped, refer to the steps for one of the Gear Reduction Units that follow.

2:1 Chain Reduction Unit

If the engine is installed with a 2:1 chain reduction unit (G, Figure 25), an oil change is not necessary. The oil in the engine also lubricates the chain reduction unit.

2:1 Wet Clutch Reduction Unit

If the engine is equipped with a 2:1 wet clutch reduction unit, do the steps that follow:

- Remove the dipstick (A, Figure 26).
- Remove the drain plug (B, Figure 26), and drain the oil into an approved container.
- Install and tighten the oil drain plug (B, Figure 26).
- Slowly add oil into the oil fill (C, Figure 26). See **Specifications** section.
- Install the dipstick (A, Figure 26).
- Remove the dipstick (A, Figure 26) and check the oil level. The correct oil level is at the top of the full indicator (D) on the dipstick.
- Install the dipstick (A, Figure 26).

6:1 Gear Reduction Unit

If your engine is equipped with a 6:1 gear reduction unit, do the steps that follow:

- Remove the oil fill plug (A, Figure 27) and the oil level plug (B).
- Remove the oil drain plug (C, Figure 27) and drain the oil into an approved container.
- Install and tighten the oil drain plug (C, Figure 27).
- Slowly add gear reduction oil (80W-90) into the oil fill hole (D, Figure 27). Continue to add the gear reduction oil (80W-90) until the oil comes out of the oil level hole (E).
- Install and tighten the oil level plug (B, Figure 27).
- Install and tighten the oil fill plug (A, Figure 27).

NOTE: The oil fill plug (A, Figure 27) has a vent hole (F) and must be installed on the top of the gear case cover as shown.

Servicing the Air Filter



WARNING Fuel vapors are flammable and explosive. Fire or explosion could result in burns or death.

- Do not start and operate the engine with the air cleaner assembly (if equipped) or the air filter (if equipped) removed.

NOTICE

Do not use pressurized air or solvents to clean the filter. Pressurized air could result in damage to the filter and solvents will dissolve the filter.

See the **Maintenance Schedule** for servicing requirements.

Different models will use a foam or a paper filter. Some models could also have an optional pre-cleaner that can be cleaned and used again. Compare the illustrations in this manual with the type installed on your engine and service as follows.

Paper Air Filter

- Loosen the fastener(s) (C, Figure 28).
- Remove the cover (A, Figure 28) and the filter (B).
- To loosen debris, lightly tap the filter (B, Figure 28) on a hard surface. If the filter is dirty, replace it with a new filter.
- Install the filter (B, Figure 28).
- Install the cover (A, Figure 28) with the fastener(s) (C). Make sure that the fastener(s) is tight.

Paper Air Filter - Low Profile

- Move the latch (A, Figure 29) to unlock the cover (C).
- Push in the tabs (B, Figure 29) and remove the cover (C).
- Remove the filter (D, Figure 29).
- To loosen debris, lightly tap the filter (D, Figure 29) on a hard surface. If the filter is dirty, replace it with a new filter.
- Install the filter (D, Figure 29).
- Install the cover (C, Figure 29). Move the latch (A) to the locked position.

NOTE: Check the fit of the foam seal (E, Figure 29). Make sure that the perimeter foam seal is correctly seated in the channel (F).

Servicing the Fuel System



WARNING Fuel and its vapors are flammable and explosive. Fire or explosion could result in burns or death.

- Keep fuel away from sparks, open flames, pilot lights, heat, and other ignition sources.
- Frequently examine the fuel lines, fuel tank, fuel cap, and connections for cracks or leaks. Replace damaged parts.
- If fuel spills, wait until it dries before you start the engine.

Fuel Strainer, if installed

- Remove the fuel cap (A, Figure 30).
- Remove the fuel strainer (B, Figure 30).
- If the fuel strainer is dirty, clean or replace it. If you replace the fuel strainer, make sure to use an original equipment replacement fuel strainer.

Storage

Fuel System

Refer to Figure: 31.



WARNING Fuel and its vapors are flammable and explosive. Fire or explosion could result in burns or death.

Fuel Storage

- Because pilot lights or other ignition sources can cause explosions, keep fuel or equipment away from furnaces, stoves, water heaters or other appliances that have pilot lights.

Keep the engine level (normal operating position). Fill the fuel tank (A, Figure 31) with fuel. For fuel expansion, do not fill above the fuel tank neck (B).

Fuel can become stale when kept in a storage container for more than 30 days. The use of an alcohol-free fuel stabilizer and ethanol treatment in the fuel storage container is recommended to prevent fuel degradation and keep the fuel fresh.

When you fill the fuel container with fuel, add an alcohol-free fuel stabilizer as specified by the manufacturer's instructions. If gasoline in the engine has not been treated with a fuel stabilizer, it must be drained into an approved container. Operate the engine until it is out of fuel.

Engine Oil

While the engine is still warm, change the engine oil. Refer to **Change the Engine Oil** section.

Troubleshooting

Assistance

For assistance, contact your local dealer or go to **BRIGGSandSTRATTON.COM** or call **1-800-444-7774** (in USA).

Specifications and Service Parts

Specifications	Model: 10V000	Model: 12V000
Displacement	10.313 ci (169 cc)	12.387 ci (203 cc)
Bore	2.44 in (62 mm)	2.677 in (68 mm)
Stroke	2.204 in (56 mm)	2.204 in (56 mm)
Oil Capacity	18 - 20 oz (.54 - .59 L)	18 - 20 oz (.54 - .59 L)
2:1 Wet Clutch Reduction - Oil Type	10W-30	10W-30
2:1 Wet Clutch Reduction - Oil Capacity	10 oz (.30 L)	10 oz (.30 L)
6:1 Gear Reduction - Oil Type	80W-90	80W-90
6:1 Gear Reduction - Oil Capacity	4 oz (12 L)	4 oz (12 L)
Spark Plug Gap	.030 in (.76 mm)	.030 in (.76 mm)

Specifications	Model: 10V000	Model: 12V000
Spark Plug Torque	180 lb-in (20 Nm)	180 lb-in (20 Nm)
Armature Air Gap	.010 - .013 in (.25 - .35 mm)	.010 - .013 in (.25 - .35 mm)
Intake Valve Clearance	.004 - .006 in (.10 - .15 mm)	.004 - .006 in (.10 - .15 mm)
Exhaust Valve Clearance	.005 - .007 in (.15 - .20 mm)	.005 - .007 in (.15 - .20 mm)

Specifications	Model: 25V000
Displacement	24.898 ci (408 cc)
Bore	3.465 in (88 mm)
Stroke	2.638 in (67 mm)
Cable Mounting Bracket Bolt	30 lb-in (3,4 Nm)
Wire Retainer Screw	25 lb-in (2,8 Nm)
Oil Capacity	18 - 20 oz (.54 - .59 L)
Spark Plug Gap	.030 in (.76 mm)
Spark Plug Torque	180 lb-in (20 Nm)
Armature Air Gap	.010 - .013 in (.25 - .35 mm)
Intake Valve Clearance	.004 - .006 in (.10 - .15 mm)
Exhaust Valve Clearance	.005 - .007 in (.15 - .20 mm)

Engine power will decrease 3.5% for each 1,000 feet (300 meters) above sea level and 1% for each 10°F (5.6°C) above 77°F (25°C). The engine will operate satisfactorily at an angle up to 30°. Refer to the equipment operator's manual for safe allowable operating limits on slopes.

Service Parts

To purchase Briggs & Stratton service parts, find an Authorized Service Dealer at BRIGGSandSTRATTON.COM. You will need your identification number (model - type - trim). Refer to the **Features and Controls** section to find your engine identification number.

Power Ratings

The gross power rating for individual gasoline engine models is labeled in accordance with SAE (Society of Automotive Engineers) code J1940 Small Engine Power & Torque Rating Procedure, and is rated in accordance with SAE J1995. Torque values are derived at 2600 RPM for those engines with "rpm" called out on the label and 3060 RPM for all others; horsepower values are derived at 3600 RPM. The gross power curves can be viewed at www.BRIGGSandSTRATTON.COM. Net power values are taken with exhaust and air cleaner installed whereas gross power values are collected without these attachments. Actual gross engine power will be higher than net engine power and is affected by, among other things, ambient operating conditions and engine-to-engine variability. Given the wide array of products on which engines are placed, the gasoline engine may not develop the rated gross power when used in a given piece of power equipment. This difference is due to a variety of factors including, but not limited to, the variety of engine components (air cleaner, exhaust, charging, cooling, carburetor, fuel pump, etc.), application limitations, ambient operating conditions (temperature, humidity, altitude), and engine-to-engine variability. Due to manufacturing and capacity limitations, Briggs & Stratton may substitute an engine of higher rated power for this engine.

Warranty

Briggs & Stratton® Engine Warranty

Effective August 2022

Limited Warranty

Briggs & Stratton warrants that, during the warranty period specified below, it will repair or replace, free of charge, with a new, reconditioned or re-manufactured part, at the sole discretion of Briggs & Stratton, any part that is defective in material or workmanship or both. Transportation charges on product submitted for repair or replacement under this warranty must be borne by purchaser. This warranty is effective for and is subject to the time periods and conditions stated below. For warranty service, find the nearest Authorized Service Dealer in our dealer locator map at BRIGGSandSTRATTON.COM. The purchaser must contact the Authorized Service Dealer, and then make the product available to the Authorized Service Dealer for inspection and testing.

There is no other express warranty. Implied warranties, including those of merchantability and fitness for a particular purpose, are limited to one year from purchase, or to the extent permitted by law. All other implied warranties are excluded. Liability for incidental or consequential damages are excluded to the extent exclusion is permitted by law. Some states or countries do not allow limitations on how long an implied warranty lasts, and some states or countries do not allow the exclusion or limitation of incidental or consequential damages, so the above limitation and exclusion may not apply to you. This warranty gives you specific legal

rights and you may also have other rights which vary from state to state and country to country.

Standard Warranty Terms ^{1, 2}
Vanguard®; Commercial Series
Consumer Use - 36 months
Commercial Use - 36 months
XR Series
Consumer Use - 24 months
Commercial Use - 24 months
All Other Engines Featuring Dura-Bore™ Cast Iron Sleeve
Consumer Use - 24 months
Commercial Use - 12 months
All Other Engines
Consumer Use - 24 months
Commercial Use - 3 months

¹These are our standard warranty terms, but occasionally there may be additional warranty coverage that was not determined at time of publication. For a listing of current warranty terms for your engine, go to BRIGGSandSTRATTON.COM or contact your Briggs & Stratton Authorized Service Dealer.

²There is no warranty for engines on equipment used for prime power in place of a utility; standby generators used for commercial purposes, utility vehicles exceeding 25 MPH, or engines used in competitive racing or on commercial or rental tracks.

* In Australia - Our goods come with guarantees that cannot be excluded under the Australian Consumer Law. You are entitled to a replacement or refund for a major failure and for compensation for any other reasonably foreseeable loss or damage. You are also entitled to have the goods repaired or replaced if the goods fail to be of acceptable quality and the failure does not amount to a major failure. For warranty service, find the nearest Authorized Service Dealer in our dealer locator map at BRIGGSandSTRATTON.COM, or by calling 1300 274 447, or by emailing or writing to salesenquiries@briggsandstratton.com.au, Briggs & Stratton Australia Pty Ltd, 1 Moorebank Avenue, Moorebank, NSW, Australia, 2170.

The warranty period begins on the date of purchase by the first retail consumer or commercial end user, and continues for the period of time stated in the table above. "Consumer use" means personal residential household use by a retail consumer. "Commercial use" means all other uses, including use for commercial, income producing or rental purposes. Once an engine has experienced commercial use, it shall thereafter be considered as a commercial use engine for purposes of this warranty.

No warranty registration is necessary to obtain warranty on Briggs & Stratton products. Save your proof of purchase receipt. If you do not provide proof of the initial purchase date at the time warranty service is requested, the manufacturing date of the product will be used to determine the warranty period.

About Your Warranty

This limited warranty covers engine-related material and/or workmanship issues only, and not replacement or refund of the equipment to which the engine may be mounted. Routine maintenance, tune-ups, adjustments, or normal wear and tear are not covered under this warranty. Similarly, warranty is not applicable if the engine has been altered or modified or if the engine serial number has been defaced or removed. This warranty does not cover engine damage or performance problems caused by:

1. The use of parts that are not original Briggs & Stratton parts;
2. Operating the engine with insufficient, contaminated, or an incorrect grade of lubricating oil;
3. The use of contaminated or stale fuel, gasoline formulated with ethanol greater than 10%, or the use of alternative fuels such as liquefied petroleum or natural gas on engines not originally designed/manufactured by Briggs & Stratton to operate on such fuels;
4. Dirt which entered the engine because of improper air cleaner maintenance or reassembly;
5. Striking an object with the cutter blade of a rotary lawn mower, loose or improperly installed blade adapters, impellers, or other crankshaft coupled devices, or excessive v-belt tightness;
6. Associated parts or assemblies such as clutches, transmissions, equipment controls, etc., which are not supplied by Briggs & Stratton;
7. Overheating due to grass clippings, dirt and debris, or rodent nests which plug or clog the cooling fins or flywheel area, or by operating the engine without sufficient ventilation;
8. Excessive vibration due to over-speeding, loose engine mounting, loose or unbalanced cutter blades or impellers, or improper coupling of equipment components to the crankshaft;

9. Misuse, lack of routine maintenance, shipping, handling, or warehousing of equipment, or improper engine installation.

Warranty service is available only through Briggs & Stratton Authorized Service Dealers. Locate your nearest Authorized Service Dealer in our dealer locator map at BRIGGSandSTRATTON.COM or by calling 1-800-444-7774 (in USA).

80114782 (Revision A)

Briggs & Stratton Emissions Warranty

California, U.S. EPA, and Briggs & Stratton, LLC Emissions Control Warranty - Your Warranty Rights and Obligations For Briggs & Stratton Engine Models with "F" Trim Designation (Model-Type-Trim Representation xxxxxx xxxx Fx)

The California Air Resources Board, U.S. EPA, and Briggs & Stratton (B&S) are pleased to explain the exhaust and evaporative emissions ("emissions") control system warranty on your 2022-2024 engine. In California, new equipment that use small off-road engines must be designed, built, and equipped to meet the State's stringent anti-smog standards. B&S must warrant the emissions control system on your engine/equipment for the periods of time listed below provided there has been no abuse, neglect or improper maintenance of your small off-road engine or equipment leading to the failure of the emissions control system.

Your emissions control system may include parts such as the carburetor or fuel-injection system, the ignition system, catalytic converter, fuel tanks, fuel lines (for liquid fuel and fuel vapors), fuel caps, valves, canisters, filters, clamps and other associated components. Also included may be hoses, belts, connectors, and other emission-related assemblies.

Where a warrantable condition exists, B&S will repair your engine/equipment at no cost to you including diagnosis, parts, and labor.

Manufacturer's Warranty Coverage:

The exhaust and evaporative emissions control system on your engine/equipment is warranted for two years. If any evaporative emission-related part on your engine/equipment is defective, the part will be repaired or replaced by B&S.

Owner's Warranty Responsibilities:

- As the engine/equipment owner, you are responsible for the performance of the required maintenance listed in your owner's manual. B&S recommends that you retain all receipts covering maintenance on your engine, but B&S cannot deny warranty coverage solely for the lack of receipts or for your failure to ensure the performance of all scheduled maintenance.
- As the engine/equipment owner, you should however be aware that B&S may deny you warranty coverage if your engine/equipment or a part has failed due to abuse, neglect, or improper maintenance or unapproved modifications.
- You are responsible for presenting your engine/equipment to a B&S distribution center or service center as soon as the problem exists. The warranty repairs shall be completed in a reasonable amount of time, not to exceed 30 days. If you have a question regarding your warranty rights and responsibilities, you should contact B&S at 1-800-444-7774 (in USA) or BRIGGSandSTRATTON.COM.

Briggs & Stratton Emissions Control Warranty Provisions

The following are specific provisions relative to your Emissions Control Warranty Coverage. It is in addition to the B&S engine warranty for non-regulated engines found in the Operator's Manual.

1. Warranted Emissions Parts

Coverage under this warranty extends only to the parts listed below (the emissions control systems parts) to the extent these parts were present on the B&S engine and/or B&S supplied fuel system.

a. Fuel Metering System

- Cold start enrichment system (soft choke)
- Carburetor or fuel injection system
- Oxygen sensor
- Electronic control unit
- Fuel pump module
- Fuel line (for liquid fuel and fuel vapors), fuel line fittings, clamps
- Fuel tank, cap and tether
- Carbon canister and mounting bracket
- Pressure relief valves
- Liquid/Vapor separator

b. Air Induction System

- Air cleaner
- Intake manifold
- Purge and vent line

c. Ignition System

- Spark plug(s)
- Magneto ignition system

d. Catalyst System

- Catalytic converter
- Exhaust manifold
- Air injection system or pulse valve

e. Miscellaneous Items Used in Above Systems

- Vacuum, temperature, position, time sensitive valves and switches
- Connectors and assemblies
- Electronic controls

2. Length of Coverage

Coverage is for a period of two years from the date of delivery to an ultimate purchaser, or for the time period listed in the respective engine or product warranty statement, whichever is greater. B&S warrants to the original purchaser and each subsequent purchaser that the engine is designed, built, and equipped so as to conform with all applicable regulations adopted by the Air Resources Board; that it is free from defects in material and workmanship that could cause the failure of a warranted part; and that it is identical in all material respects to the engine described in the manufacturer's application for certification. The warranty period begins on the date the engine or equipment is delivered to an ultimate purchaser.

The warranty on emissions-related parts is as follows:

- Any warranted part that is not scheduled for replacement as required maintenance in the Operator's Manual supplied, is warranted for the warranty period stated above. If any such part fails during the period of warranty coverage, the part will be repaired or replaced by B&S at no charge to the owner. Any such part repaired or replaced under the warranty will be warranted for the remaining warranty period.
 - Any warranted part that is scheduled only for regular inspection in the Operator's Manual supplied, is warranted for the warranty period stated above. Any such part repaired or replaced under warranty will be warranted for the remaining warranty period.
 - Any warranted part that is scheduled for replacement as required maintenance in the Operator's Manual supplied, is warranted for the period of time prior to the first scheduled replacement point for that part. If the part fails prior to the first scheduled replacement, the part will be repaired or replaced by B&S at no charge to the owner. Any such part repaired or replaced under warranty will be warranted for the remainder of the period prior to the first scheduled replacement point for the part.
 - Add-on or modified parts that are not exempted by the Air Resources Board may not be used. The use of any non-exempted add-on or modified parts by the owner will be grounds for disallowing a warranty claim. The manufacturer will not be liable for warranty failures of warranted parts caused by the use of a non-exempted add-on or modified part.
3. Consequential Coverage
Coverage shall extend to the failure of any engine components caused by the failure of any warranted emissions parts.
4. Claims and Coverage Exclusions
Warranty claims shall be filed according to the provisions of the B&S engine warranty policy. Warranty coverage does not apply to failures of emissions parts that are not original equipment B&S parts or to parts that fail due to abuse, neglect, or improper maintenance as set forth in the B&S engine warranty policy. B&S is not liable for warranty coverage of failures of emissions parts caused by the use of add-on or modified parts.

Look For Relevant Emissions Durability Period and Air Index Information On Your Small Off-Road Engine Emissions Label

Engines that are certified to meet the California Air Resources Board (CARB) small off-road Emissions Standard must display information regarding the Emissions Durability Period and the Air Index. Briggs & Stratton makes this information available to the consumer on our emissions labels. The engine emissions label will indicate certification information.

The **Emissions Durability Period** describes the number of hours of actual running time for which the engine is certified to be emissions compliant, assuming proper maintenance in accordance with the Operator's Manual. The following categories are used:

Moderate:

Engines at or less than 80 cc displacement are certified to be emissions compliant for 50 hours of actual engine running time. Engines greater than 80 cc displacement are certified to be emissions compliant for 125 hours of actual engine running time.

Intermediate:

Engines at or less than 80 cc displacement are certified to be emissions compliant for 125 hours of actual engine running time. Engines greater than 80 cc displacement are certified to be emissions compliant for 250 hours of actual engine running time.

Extended:

Engines at or less than 80 cc displacement are certified to be emissions compliant for 300 hours of actual engine running time. Engines greater than 80 cc displacement are certified to be emissions compliant for 500 hours of actual engine running time.

For example, a typical walk-behind lawn mower is used 20 to 25 hours per year. Therefore, the **Emissions Durability Period** of an engine with an **intermediate** rating would equate to 10 to 12 years.

Briggs & Stratton engines are certified to meet the United States Environmental Protection Agency (USEPA) Phase 2 or Phase 3 emissions standards. The Emissions Compliance Period referred to on the Emissions Compliance label indicates the number of operating hours for which the engine has been shown to meet Federal emissions requirements.

For engines at or less than 80 cc displacement:

Category C = 50 hours, Category B = 125 hours, Category A = 300 hours

For engines greater than 80 cc displacement and less than 225 cc displacement:

Category C = 125 hours, Category B = 250 hours, Category A = 500 hours

For engines of 225 cc or more displacement:

Category C = 250 hours, Category B = 500 hours, Category A = 1000 hours

80111491 (Revision A)

Briggs & Stratton Emissions Warranty

California, U.S. EPA, and Briggs & Stratton, LLC Emissions Control Warranty - Your Warranty Rights and Obligations For Briggs & Stratton Engine Models with "B" or "G" Trim Designation (Model-Type-Trim Representation xxxxxx xxxx Bx or xxxxxx xxxx Gx)

The California Air Resources Board, U.S. EPA, and Briggs & Stratton (B&S) are pleased to explain the exhaust emissions ("emissions") control system warranty on your 2022-2024 engine. In California, new small off-road engines and large spark ignited engines less than or equal to 1.0 liter must be designed, built, and equipped to meet the State's stringent anti-smog standards. B&S must warrant the emissions control system on your engine for the periods of time listed below provided there has been no abuse, neglect or improper maintenance of your small off-road engine or equipment leading to the failure of the emissions control system.

Your emissions control system may include parts such as the carburetor or fuel-injection system, the ignition system, catalytic converter, fuel tanks, fuel lines (for liquid fuel and fuel vapors), fuel caps, valves, canisters, filters, clamps and other associated components. Also included may be hoses, belts, connectors, and other emission-related assemblies.

Where a warrantable condition exists, B&S will repair your engine at no cost to you including diagnosis, parts, and labor.

Manufacturer's Warranty Coverage:

The exhaust emissions control system on your engine is warranted for two years. If any emissions-related part on your engine is defective, the part will be repaired or replaced by B&S.

Owner's Warranty Responsibilities:

- As the engine owner, you are responsible for the performance of the required maintenance listed in your owner's manual. B&S recommends that you retain all receipts covering maintenance on your engine, but B&S cannot deny warranty coverage solely for the lack of receipts or for your failure to ensure the performance of all scheduled maintenance.
- As the engine owner, you should however be aware that B&S may deny you warranty coverage if your engine or a part has failed due to abuse, neglect, or improper maintenance or unapproved modifications.
- You are responsible for presenting your engine to a B&S distribution center or service center as soon as the problem exists. The warranty repairs shall be completed in a reasonable amount of time, not to exceed 30 days. If you have a question regarding your warranty rights and responsibilities, you should contact B&S at 1-800-444-7774 (in USA) or BRIGGSandSTRATTON.COM.

Briggs & Stratton Emissions Control Warranty Provisions

The following are specific provisions relative to your Emissions Control Warranty Coverage. It is in addition to the B&S engine warranty for non-regulated engines found in the Operator's Manual.

1. Warranted Emissions Parts

Coverage under this warranty extends only to the parts listed below (the emissions control systems parts) to the extent these parts were present on the B&S engine.

a. Fuel Metering System

- Cold start enrichment system (soft choke)
- Carburetor or fuel injection system
- Oxygen sensor

- Electronic control unit
- Fuel pump module

b. Air Induction System

- Air cleaner
- Intake manifold

c. Ignition System

- Spark plug(s)
- Magneto ignition system

d. Catalyst System

- Catalytic converter
- Exhaust manifold
- Air injection system or pulse valve

e. Miscellaneous Items Used in Above Systems

- Vacuum, temperature, position, time sensitive valves and switches
- Connectors and assemblies
- Electronic controls

2. Length of Coverage

Coverage is for a period of two years from the date of delivery to an ultimate purchaser, or for the time period listed in the respective engine or product warranty statement, whichever is greater. B&S warrants to the original purchaser and each subsequent purchaser that the engine is designed, built, and equipped so as to conform with all applicable regulations adopted by the Air Resources Board; that it is free from defects in material and workmanship that could cause the failure of a warranted part; and that it is identical in all material respects to the engine described in the manufacturer's application for certification. The warranty period begins on the date the engine or equipment is delivered to an ultimate purchaser.

The warranty on emissions-related parts is as follows:

- Any warranted part that is not scheduled for replacement as required maintenance in the Operator's Manual supplied, is warranted for the warranty period stated above. If any such part fails during the period of warranty coverage, the part will be repaired or replaced by B&S at no charge to the owner. Any such part repaired or replaced under the warranty will be warranted for the remaining warranty period.
- Any warranted part that is scheduled only for regular inspection in the Operator's Manual supplied, is warranted for the warranty period stated above. Any such part repaired or replaced under warranty will be warranted for the remaining warranty period.
- Any warranted part that is scheduled for replacement as required maintenance in the Operator's Manual supplied, is warranted for the period of time prior to the first scheduled replacement point for that part. If the part fails prior to the first scheduled replacement, the part will be repaired or replaced by B&S at no charge to the owner. Any such part repaired or replaced under warranty will be warranted for the remainder of the period prior to the first scheduled replacement point for the part.
- Add-on or modified parts that are not exempted by the Air Resources Board may not be used. The use of any non-exempted add-on or modified parts by the owner will be grounds for disallowing a warranty claim. The manufacturer will not be liable to warrant failures of warranted parts caused by the use of a non-exempted add-on or modified part.

3. Consequential Coverage

Coverage shall extend to the failure of any engine components caused by the failure of any warranted emissions parts.

4. Claims and Coverage Exclusions

Warranty claims shall be filed according to the provisions of the B&S engine warranty policy. Warranty coverage does not apply to failures of emissions parts that are not original equipment B&S parts or to parts that fail due to abuse, neglect, or improper maintenance as set forth in the B&S engine warranty policy. B&S is not liable for warranty coverage of failures of emissions parts caused by the use of add-on or modified parts.

Look For Relevant Emissions Durability Period and Air Index Information On Your Small Off-Road Engine Emissions Label

Engines that are certified to meet the California Air Resources Board (CARB) small off-road Emissions Standard must display information regarding the Emissions Durability Period and the Air Index. Briggs & Stratton makes this information available to the consumer on our emissions labels. The engine emissions label will indicate certification information.

The **Emissions Durability Period** describes the number of hours of actual running time for which the engine is certified to be emissions compliant, assuming proper maintenance in accordance with the Operator's Manual. The following categories are used:

Moderate:

Engines at or less than 80 cc displacement are certified to be emissions compliant for 50 hours of actual engine running time. Engines greater than 80 cc displacement are certified to be emissions compliant for 125 hours of actual engine running time.

Intermediate:

Engines at or less than 80 cc displacement are certified to be emissions compliant for 125 hours of actual engine running time. Engines greater than 80 cc displacement are certified to be emissions compliant for 250 hours of actual engine running time.

Extended:

Engines at or less than 80 cc displacement are certified to be emissions compliant for 300 hours of actual engine running time. Engines greater than 80 cc displacement are certified to be emissions compliant for 500 hours of actual engine running time.

For example, a typical walk-behind lawn mower is used 20 to 25 hours per year. Therefore, the **Emissions Durability Period** of an engine with an **intermediate** rating would equate to 10 to 12 years.

Briggs & Stratton engines are certified to meet the United States Environmental Protection Agency (USEPA) Phase 2 or Phase 3 emissions standards. The Emissions Compliance Period referred to on the Emissions Compliance label indicates the number of operating hours for which the engine has been shown to meet Federal emissions requirements.

For engines at or less than 80 cc displacement:

Category C = 50 hours, Category B = 125 hours, Category A = 300 hours

For engines greater than 80 cc displacement and less than 225 cc displacement:

Category C = 125 hours, Category B = 250 hours, Category A = 500 hours

For engines of 225 cc or more displacement:

Category C = 250 hours, Category B = 500 hours, Category A = 1000 hours

80111486 (Revision A)

Not for
Reproduction

Обща информация



Това ръководство съдържа информация за безопасност относно свързаните с двигателя опасности и рискове, и тяхното предотвратяване. Също така съдържа информация за правилната работа и поддръжка на двигателя. Важно е да прочетете, разберете и спазвате тези инструкции. **Пазете това ръководство за бъдещи справки.**

ЗАБЕЛЕЖКА: Фигурите и илюстрациите в това ръководство са предоставени само за информация и може да се различават от модела, който притежавате. Използвайте фигурите, които съответстват на конфигурацията на вашия двигател. Ако е необходимо, се свържете с упълномощен сервизен представител.

Запишете датата на покупката, модела, типа, модификацията и серийния номер на двигателя при необходимост от резервни части. Тези номера се намират върху двигателя. Вижте раздела **Елементи и прибори за управление**.

Дата на закупуване	
Модел - Тип - Конструкция на двигателя	
Сериен номер на двигателя	

Информация за контакт на Европейската служба

За въпроси относно емисиите в Европейския съюз, се свържете с нашата Европейска служба на адрес:

Max-Born-Straße 2, 68519 Viernheim, Германия.

Стандарт Euro ниво V (5) на ЕС: Стойности на въглероден диоксид (CO₂)

Въведете „CO₂“ в полето за търсене на уебсайта BriggsandStratton.com, за да намерите стойностите на емисиите въглероден диоксид за двигателите на Briggs & Stratton, които имат сертификата за типово одобрение от ЕС.

Безопасност на оператора Предупредителен символ за опасност и сигнални думи



Предупредителният символ за безопасност обозначава информацията за безопасност, свързана с опасности, които могат да доведат до нараняване. Сигнализираща дума (**ОПАСНОСТ**, **ПРЕДУПРЕЖДЕНИЕ** или **ВНИМАНИЕ**) се поставя, за да посочи вероятността и потенциалната сериозност на нараняването. Освен това, даден символ за опасност се използва, за да се представи видът на опасността.

ОПАСНОСТ посочва опасност, която, ако не бъде избегната, **ще** доведе до смърт или сериозно нараняване.

ПРЕДУПРЕЖДЕНИЕ посочва опасност, която, ако не бъде избегната, **може** да доведе до смърт или сериозно нараняване.

ВНИМАНИЕ посочва опасност, която, ако не бъде избегната, **може** да доведе до малка или средна степен на нараняване.

ПРЕДУПРЕЖДЕНИЕ посочва информация, считана за важна, но несвързана с опасности.

Символи за опасности и техните значения

	Информация за безопасност относно опасности, които могат да доведат до телесно нараняване.		Прочетете и разберете Ръководството за оператора, преди да работите или правите техническо обслужване на машината.
	Опасност от пожар		Опасност от експлозия
	Опасност от електрически удар		Опасност от токсични пари

	Опасност от нагорещена повърхност		Опасност от откат
	Опасност от отрязване на крайник – Движещи се части		Ниво на горивото – Максимално Не препълвайте

Съобщения за безопасност



ПРЕДУПРЕЖДЕНИЕ

Двигателите на Briggs & Stratton® не са предназначени за и не трябва да се използват за захранване на: развлекателни картове; състезателни картове; детски, развлекателни или спортни всеходни превозни средства (АТВ-та); мотоциклети; съдове на въздушна възглавница; продукти за авиацията или превозни средства, използвани в състезания, които не са разрешени от Briggs & Stratton. За информация относно изделия за състезателни цели, вижте www.briggsracing.com. При използване на превозни средства с общо предназначение и такива с повишена проходимост (АТV), моля свържете се с приложния център за захранване на Briggs & Stratton на тел. 1-866-927-3349. Неправилната употреба на двигателя може да доведе до сериозни наранявания или смърт.

Информация за рециклиране



Рециклирайте всички кашони, кутии, използвано масло и батерии, както е посочено в правителствените разпоредби.

Елементи и прибори за управление

Управление на двигателя

Сравнете допълнителните букви на фигури 1, 2 и 3 с приборите за управление на двигателя в списъка, който следва:

- A. Маркировка на двигателя **Модел – Тип – Код**
- B. Запалителна свещ
- C. Резервоар за гориво и капачка
- D. Въздушен филтър
- E. Ръкохватка на въжето за ръчния стартер
- F. Нивопоказател за маслото
- G. Отвор за наливане на масло
- H. Пробка за източване на маслото
- I. Шумозаглушител, предпазител на шумозаглушител (ако е монтиран), искроуловител (ако е монтиран)
- J. Прибори за управление на дроселната клапа/Спиране на горивото/TransportGuard™
- K. Лост на смучака
- L. Решетка на отвора за въздух
- M. Превключвател за електрическо стартиране (ако има такъв)
- N. Редукторна кутия (ако има такава)

Някои двигатели и оборудване са снабдени с устройства за дистанционно управление. Вижте ръководството за работа с оборудването за разположението и работата с приборите за дистанционно управление.

Символи за управление на двигателя и техните значения

	Обороти на двигателя – БЪРЗИ		Обороти на двигателя – БАВНИ
	Обороти на двигателя – СПРЕНИ		ВКЛ. – ИЗКЛ.

	Стартиране на двигателя Смукач ЗАТВОРЕН		Стартиране на двигателя Смукач ОТВОРЕН
	Капачка на резервоара за гориво Кранче за подаване на гориво ОТВОРЕНО		Кранче за подаване на гориво ЗАТВОРЕНО

Монтаж

Конвертиране на лоста на газта

Стандартният двигател има ръчен лост за газта. За да работите с приборите за ръчно управление за дроселната клапа, инсталирайте дистанционно управление за дроселна клапа или преобразувайте до постоянни обороти. Вижте инструкциите, които следват.

ЗАБЕЛЕЖКА: Оборотите на двигателя трябва да са точно както е посочено в спецификациите за работа на производителя на оборудването. Обърнете се към Упълномощен представител на Briggs & Stratton за съдействие.

Ръчно управление на дроселната клапа

1. Преместете приборите за управление на дроселната клапа/лоста TransportGuard® (А, Фигура 4) на позиция „Изкл.“.
2. Премахнете пружината (S, Фигура 4).

Дистанционен лост на газта с плетен кабел

Прибори за дистанционно управление на дроселна клапа с плетен кабел с проводник могат да бъдат монтирани в една от двете посоки: **Посока към главата на цилиндъра** или **Посока напред**.

Посока на главата на цилиндъра

1. Преместете лоста на газта / TransportGuard™ (А, Фигура 5) в положение ИЗКЛ.
2. Използвайте 10-милиметров гаечен ключ и разхлабете гайката (Р, Фигура 5) с 1/2 оборот на приборите за управление на дроселната клапа/лоста TransportGuard® (А).
3. Хванете гайката за монтаж на кабела (J, Фигура 6) с 10-милиметров гаечен ключ и разхлабете винта (К).
4. Монтирайте кабелния проводник (L, Фигура 6) през отвора в гайката за монтаж на кабела (J) и затегнете винта (К). Уверете се, че кабелният проводник (L) не се простира повече от 1/2 инча (12,7 мм) след отвора.
5. Разхлабете винта (I, Фигура 6). Закрепете кабелната втулка (N) под кабелната скоба (M) и затегнете винта (I).
6. Проверете работата на приборите за дистанционно управление на дроселната клапа. Преместете 2-3 пъти приборите за дистанционно управление на дроселната клапа от бавни на бързи обороти. Уверете се, че приборите за дистанционно управление на дроселната клапа и проводникът в кабела (L, фигура 6) се движат свободно. Регулирайте гайката (Р, фигура 7) според конкретната позиция.

Предна посока

1. Регулирайте лоста на газта / TransportGuard™:
 - a. **За двигатели модел 10V000 и 12V000:** Преместете приборите за управление на дроселната клапа/лоста TransportGuard® (А, Фигура 8) на позиция „БЪРЗИ ОБОРОТИ“.
 - b. **За двигатели модел 25V000:** Преместете лоста на газта / TransportGuard™ (А, Фигура 8) в положение ИЗКЛ.
2. Използвайте 10-милиметров гаечен ключ и разхлабете гайката (Р, Фигура 7) с 1/2 оборот на приборите за управление на дроселната клапа/листа TransportGuard® (А).
3. Хванете гайката за монтаж на кабела (J, Фигура 8) с 10-милиметров гаечен ключ и разхлабете винта.
4. Монтирайте кабелния проводник (L, Фигура 8) през отвора в гайката за монтаж на кабела (J) и затегнете винта (К). Уверете се, че кабелният проводник (L) не се простира повече от 1/2 инча (12,7 мм) след отвора.
5. Разхлабете винта (I, Фигура 8). Закрепете кабелната втулка (N) под кабелната скоба (M) и затегнете винта (I).
6. Проверете работата на приборите за дистанционно управление на дроселната клапа. Преместете 2-3 пъти приборите за дистанционно управление на дроселната клапа от бавни на бързи обороти. Уверете се, че приборите за дистанционно управление на дроселната клапа и кабелът (L, фигура 8) се движат свободно. Регулирайте гайката (Р, Фигура 7) според конкретната позиция.

Дистанционен лост на газта с твърд кабел

Прибори за дистанционно управление на дроселна клапа с кабел с твърд проводник могат да бъдат монтирани в една от четирите посоки: **Посока към главата на цилиндъра**, **Посока напред**, **Посока наляво**, или **Посока надясно**.

Посока на главата на цилиндъра

1. Преместете приборите за управление на дроселната клапа/лоста TransportGuard® (А, Фигура 9) на позиция „Изкл.“.
2. Премахнете пружината (S, Фигура 9).
3. Преместете приборите за управление на дроселната клапа/лоста TransportGuard® (А, фигура 9) на позиция „БЪРЗИ ОБОРОТИ“.
4. Използвайте 10-милиметров гаечен ключ и разхлабете гайката (Р, Фигура 4) с 1/2 оборот на приборите за управление на дроселната клапа/лоста TransportGuard® (А).
5. Монтирайте Z-фитинга на кабела с твърд проводник (Q, Фигура 9) в някой от малките отвори в звънеца (R).
6. Разхлабете винта (I, Фигура 9). Закрепете кабелната втулка (N) под кабелната скоба (M) и затегнете винта (I).
7. Проверете работата на приборите за дистанционно управление на дроселната клапа. Преместете 2-3 пъти приборите за дистанционно управление на дроселната клапа от бавни на бързи обороти. Уверете се, че приборите за дистанционно управление на дроселната клапа и проводникът в кабела (L, фигура 9) се движат свободно. Регулирайте гайката (Р, фигура 4) според конкретната позиция.

Предна посока

1. Преместете приборите за управление на дроселната клапа/лоста TransportGuard® (А, Фигура 10) на позиция „Изкл.“.
2. Премахнете пружината (S, Фигура 10).
3. Преместете приборите за управление на дроселната клапа/лоста TransportGuard® (А, фигура 10) на позиция „БЪРЗИ ОБОРОТИ“.
4. Използвайте 10-милиметров гаечен ключ и разхлабете гайката (Р, Фигура 4) с 1/2 оборот на приборите за управление на дроселната клапа/листа TransportGuard® (А).
5. Монтирайте Z-фитинга на кабела с твърд проводник (Q, Фигура 10) в един от двата малки отвора в звънеца (R).
6. Разхлабете винта (I, Фигура 10). Закрепете кабелната втулка (N) под кабелната скоба (M) и затегнете винта (I).
7. Проверете работата на приборите за дистанционно управление на дроселната клапа. Преместете 2-3 пъти приборите за дистанционно управление на дроселната клапа от бавни на бързи обороти. Уверете се, че приборите за дистанционно управление на дроселната клапа и кабелът (L, фигура 10) се движат свободно. Регулирайте гайката (Р, фигура 4) според конкретната позиция.

Лява посока

1. Преместете приборите за управление на дроселната клапа/лоста TransportGuard® (А, Фигура 11) на позиция „Изкл.“.
2. Премахнете пружината (S, Фигура 4).
3. Преместете приборите за управление на дроселната клапа/лоста TransportGuard® (А, фигура 11) на позиция „БЪРЗИ ОБОРОТИ“.
4. С помощта на 10 мм гаечен ключ развийте с 1/2 оборот гайката (Р, Фигура 4) за лоста на газта / лост TransportGuard® (А, Фигура 11).
5. Извадете копчето за управление на дроселната клапа (W, Фигура 11), за да се покаже малкият отвор (S).
6. Монтирайте Z-фитинга на кабел с твърд проводник (L, Фигура 11) в малкия отвор (S) в приборите за управление на дроселната клапа (А).
7. Разхлабете винта (I, Фигура 11). Закрепете кабелната втулка (N) под кабелната скоба (M) и затегнете винта (I).
8. Проверете работата на приборите за дистанционно управление на дроселната клапа. Преместете 2-3 пъти приборите за дистанционно управление на дроселната клапа от бавни на бързи обороти. Уверете се, че приборите за дистанционно управление на дроселната клапа и кабелът (L, фигура 11) се движат свободно. Регулирайте гайката (Р, фигура 4) според конкретната позиция.

Дясна посока

За да инсталирате прибори за дистанционно управление на дроселната клапа вдясно е необходима скоба за монтаж на кабела (U, Фигура 12). Вижте раздел **Спецификации и резервни части** за номера на частта. За да закупите скоба за монтаж на кабел, свържете се с Упълномощен представител на Briggs & Stratton.

1. Преместете приборите за управление на дроселната клапа/лоста TransportGuard® (А, Фигура 12) на позиция „Изкл.“.

- Премахнете пружината (S, Фигура 4).
- Извадете копчето за управление на дроселната клапа (W, Фигура 12), за да се покаже малкият отвор (S).
- Преместете приборите за управление на дроселната клапа/лоста TransportGuard® (A, фигура 12) на позиция „БЪРЗИ ОБОРОТИ“.
- Използвайте 10-милиметров гаечен ключ и разхлабете гайката (P, Фигура 4) с 1/2 оборот на приборите за управление на дроселната клапа/лоста TransportGuard® (A, 12).
- Монтирайте Z-фитинга на кабел с твърд проводник (L, Фигура 12) в малкия отвор (S) в приборите за управление на дроселната клапа (A).
- Извадете болта (T, Фигура 12). Монтирайте скобата за монтаж на кабела (U), както е показано. Прикрепете скобата за монтаж на кабела (U) с болта (T). Затегнете болта (T) до 30 lb-in (3,4 Nm). Вижте раздел **Спецификации и резервни части**.
- Разхлабете винта (I, Фигура 12). Закрепете кабелната втулка (N) под кабелната скоба (M) и затегнете винта (I).
- Проверете работата на приборите за дистанционно управление на дроселната клапа. Преместете 2-3 пъти приборите за дистанционно управление на дроселната клапа от бавни на бързи обороти. Уверете се, че приборите за дистанционно управление на дроселната клапа и кабелът (L, фигура 12) се движат свободно. Регулирайте гайката (P, фигура 4) според конкретната позиция.

Фиксирана скорост на двигателя (без кабел за лоста на газта)

При конвертиране в **постоянни обороти на двигателя**, няма монтиран кабел за приборите за управление на дроселната клапа и няма избор на обороти. БЪРЗИ са единствените обороти на двигателя.

- Преместете приборите за управление на дроселната клапа/лоста TransportGuard® (A, Фигура 13) на позиция „Изкл.“.
- Премахнете пружината (S, Фигура 13).
- Преместете приборите за управление на дроселната клапа/лоста TransportGuard® (A, фигура 13) на позиция „БЪРЗИ ОБОРОТИ“.
- Уверете се, че винта за закрепване на проводника (V, Фигура 13) е изравнен с отвора в скобата. Затегнете винта (V) до 25 lb-in (2,8 Nm).
- Свалете вала за управление (H, Фигура 13).

ЗАБЕЛЕЖКА: В това време, приборите за управление на дроселната клапа/лостът TransportGuard® ще имат само две позиции: позиция СТОП/ИЗКЛЮЧЕНО и позиция РАБОТА.

- Монтирайте новия етикет за ВКЛ./ИЗКЛ. на TransportGuard® (O, Фигура 14) върху съществуващия етикет за управление на оборотите върху панела на оборудването (F).

Експлоатация

ПРЕДУПРЕЖДЕНИЕ



Изпаренията на горивата са възпламеними и взривоопасни. Пожар или експлозия може да доведе до изгаряния или смърт.

Ако Ви замирише на газ

- Не стартирайте двигателя.
- Не включвайте електрическите ключове.
- Не използвайте телефон в непосредствена близост.
- Напуснете мястото.
- Свържете се с противопожарната охрана.

Когато работите с оборудването

- Не наклоняйте двигателя или машината под ъгъл, при който горивото се разлива.

Когато сменят мястото на оборудването

- Уверете се, че резервоарът за гориво е ПРАЗЕН и че кранчето за подаване на гориво е в позиция ЗАТВОРЕНО.

Проверете нивото на маслото

Преди да проверите или да долеете масло

- Уверете се, че двигателят е разположен хоризонтално.
- Почистете от отпадъци мястото около отвора за наливане на масло.
- Вижте раздел **Спецификации** относно вместимостта за маслото.

ПРЕДУПРЕЖДЕНИЕ

Този двигател се доставя от Briggs & Stratton без масло. Производителите на оборудването или търговците може да са добавили масло в двигателя. Преди да стартирате двигателя за първи път, уверете се, че маслото е на правилното ниво. Добавяйте масло, както е посочено в инструкциите в това ръководство. Ако стартирате двигателя без масло, той ще се повреди и ремонтът няма да бъде покрит от гаранцията.

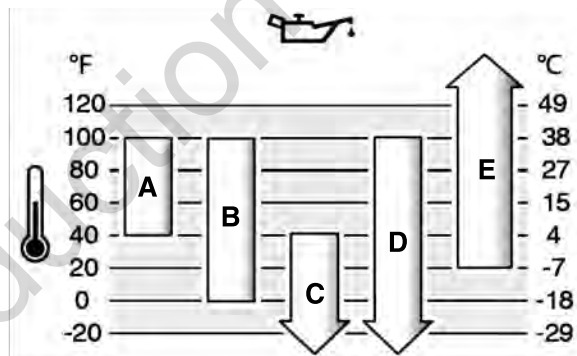
- Извадете щеката на нивопоказателя (A, фигура 15) и я почистете с кърпа.
- Поставете и затегнете щеката на нивопоказателя (A, Фигура 15).
- Свалете нивопоказателя и проверете нивото на маслото. Уверете се, че нивото на маслото е до горната част на индикатора за напълване (B, фигура 15) върху щеката.
- Двигателят има два отвора за масло (C, G, фигура 16). Ако нивото на маслото е ниско, бавно долейте през отвора за моторно масло (C, G). Не добавяйте твърде много масло. След доливане на маслото, изчакайте една минута и отново проверете нивото. Уверете се, че нивото на маслото е добре.
- Поставете и затегнете щеката на нивопоказателя (A, Фигура 15).

Препоръки за маслото

Вместимост на масло: Вижте раздел **Технически данни**.

За най-добра производителност препоръчваме да се използват сертифицирани с гаранция масла на Briggs & Stratton®. Разрешени са и други висококачествени почистващи масла от клас SF, SG, SH, SJ или по-висок. Не използвайте специални добавки.

Използвайте таблицата, за да изберете най-добрия вискозитет за очаквания диапазон на външна температура. Двигателите на повечето машини за използване на открито работят добре със синтетично масло 5W-30. Синтетичното масло Vanguard® 15W-50 осигурява най-добрата защита за оборудване, което се използва при високи температури.



A	SAE 30 – Употребата на SAE 30 при температури под 40°F (4°C) ще доведе до трудно стартиране.
B	10W-30 – Употребата на 10W-30 при температури над 80°F (27°C) може да предизвика повишен разход на маслото. Проверявайте често нивото на маслото.
C	5W-30
D	Синтетично масло 5W-30
E	Синтетично Vanguard® 15W-50

Система за защита от ниско ниво на маслото (ако има такава)

На някои двигатели е инсталиран сензор за ниско ниво на маслото. Ако маслото е малко, сензорът ще изведе предупредителна светлина или ще спре двигателя. Спрете двигателя и следвайте тези стъпки, преди да стартирате двигателя.

- Уверете се, че двигателят е разположен хоризонтално.
- Провърете маслото. Вижте раздел **Проверка нивото на маслото**.
- Ако нивото на маслото е ниско, добавете необходимото количество масло. Стартирайте двигателя и се уверете, че не се включва предупредителната светлина (ако има такава).
- Ако нивото на маслото не е ниско, не стартирайте двигателя. Свържете се с упълномощен сервизен представител на Briggs & Stratton, за да отстраните проблема с маслото.

Препоръки за горивото

Горивото трябва да отговаря на следните изисквания:

- Чист, пресен, безоловен бензин.
- Минимум 87 октана/87 AKI (91 RON). За работа при голяма надморска височина вижте по-долу.
- Позволен е бензин с до 10% съдържание на етанол (бензоспирт).

ПРЕДУПРЕЖДЕНИЕ

Да не се използват неодобрени марки бензини, като E15 и E85. Не смесвайте масло с бензина и не променяйте двигателя за работа с алтернативни горива. Използването на неодобрени горива може да доведе до повреда на елементи от двигателя, чиито ремонт няма да бъде покрит от гаранцията.

За защита на горивната система от образуване на клей и корозия смесете стабилизатор на гориво без алкохол и етанолов разреждател към горивото. Вижте раздел **Съхранение**. Всички горива са различни. Ако започнат да се появяват проблеми със стартирането или производителността, сменете доставчиците или марката на горивото. Този двигател е сертифициран за работа с бензин. Системата за контрол на емисиите за карбураторни двигатели е EM (Модификации на двигателя). Системите за контрол на емисиите за двигатели с електронно впръскване на горивото са ECM (модул за управление на двигателя), MFI (многоточково впръскване на горивото), TBI (впръскване на горивото в дроселовата клапа) и, ако има монтиран, O2S (кислороден сензор).

Голяма надморска височина

При надморски височини над 5 000 фута (1 524 метра), позволеният бензин е минимум 85 октана/85 AKI (89 RON).

При карбураторни двигатели е необходимо регулиране за големи надморски височини, за да се запази производителността. Работата без тази настройка ще доведе до понижена производителност, по-голям разход на гориво и повишени емисии. Свържете се с упълномощен сервизен представител на Briggs & Stratton за информация относно регулирането за големи надморски височини. Не се препоръчва работа на двигателя при надморска височина под 2 500 ход (762 м) за направено регулиране за голяма надморска височина.

При двигатели с електронно впръскване на горивото (EFI) не е необходима настройка за голяма надморска височина.

Доливане на гориво



ПРЕДУПРЕЖДЕНИЕ

Горивото и неговите пари са възпламеними и взривоопасни. Пожар или експлозия може да доведе до изгаряния или смърт.

Когато добавяте гориво

- Спрете двигателя. Преди да свалите капачката за гориво, изчакайте най-малко две (2) минути, за да си гарантирате, че двигателят се е охладил.
 - Напълнете резервоара за гориво на открито или в помещение с добра вентилация.
 - Не слагайте твърде много гориво в резервоара. За да оставите възможност за разширение на горивото, не пълнете над долната част на гърлото на резервоара за гориво.
 - Дръжте горивото далече от искри, открити пламъци, пилотни светлини, топлина и други източници на запалване.
 - Често преглеждайте горивопроводите, резервоара за гориво, капачката на горивото и връзките за наличие на пукнатини или течове. Подменете повредените части.
 - Ако горивото се разлее, изчакайте, докато се изпари преди да стартирате двигателя.
1. Почистете пространството около капачката на резервоара за гориво от мръсотия и остатъци. Свалете капачката на резервоара за гориво.
 2. Напълнете резервоара за гориво (А, фигура 17) с гориво. Тъй като горивото се разширява, не пълнете над долната част на гърлото на резервоара (В).
 3. Поставете обратно капачката за гориво.

Стартиране на двигателя



ПРЕДУПРЕЖДЕНИЕ

ОПАСНОСТ ОТ ОТРОВНИ ГАЗОВЕ. Отработените газове от двигателя съдържат въглероден оксид, отровен газ, който би могъл да Ви убие за минути. Дори ако не усещате отработените газове, все още можете да бъдете изложени на въздействието на отровен въглероден оксид. Ако усетите гадене, замайване или слабост докато използвате този продукт, **ВЕДНАГА** излезте на чист въздух. Отидете на лекар. Възможно е да сте получили отравяне с въглероден оксид.

- Въглеродният окис може да се натрупва в затворени помещения. Работете с този продукт САМО на открито, далече от прозорци, врати и вентилационни отвори, за да намалите риска от натрупване на въглероден окис.
- Монтирайте сигнални уредби за наличие на въглероден оксид, захранвани с батерии или чрез щепсел, според инструкциите на производителя. Сигналните уредби за дим не могат да засичат въглероден окис.
- НЕ работете с този продукт в домове, гаражи, мазета, непреходни коридори, хангари или други затворени помещения, дори при използване на вентилатори или при отворени врати и прозорци за вентилация. След работата с този продукт, въглеродният окис може бързо да се натрупа в тези помещения и да остане с часове.
- ВИНАГИ поставяйте този продукт по посока на въздушното течение и насочвайте изгорелите газове от двигателя далече от обитаваните помещения.



ПРЕДУПРЕЖДЕНИЕ

Горивото и неговите пари са възпламеними и взривоопасни. Пожар или експлозия може да доведе до изгаряния или смърт.

Когато стартирате двигателя

- Уверете се, че запалителната свещ, шумозаглушителят, капачката на резервоара за гориво и въздушният филтър (ако има такива) са монтирани правилно.
- Не стартирайте двигателя без запалителна свещ.
- Ако двигателят е задавен, поставете смукача (ако има такъв) в положение ОТВОРЕНО или РАБОТА. Поставете прибора за управление на дроселната клапа в положение БЪРЗО (ако има такъв) и въртете, докато двигателят стартира.
- Ако в областта има изтичане на природен газ или газ LP, не стартирайте двигателя.
- Не използвайте течности за начално запалване под налягане, защото парите им са възпламеними.



ПРЕДУПРЕЖДЕНИЕ

Въртящите се части могат да захванат ръце, крака, коса, облекло или аксесоари и това може да доведе до травматична ампутация или сериозно нараняване.

- Работете с оборудването с правилно поставени предпазители.
- Дръжте ръцете и краката си на разстояние от въртящите се части.
- Свалете бижутата си и се уверете, че косата Ви е далече от всички въртящи се части.
- Не носете широки дрехи или аксесоари, които могат да бъдат захванати.



ПРЕДУПРЕЖДЕНИЕ

Бързото изтегляне на въжето на стартера (откат) притегля дланта и ръката Ви към двигателя по-бързо, отколкото Ви можете да я отдръпнете. Това може да причини счупване на кости, фрактури, натъртвания или навяхвания.

- За да избегнете отката, при стартиране на двигателя, издръпайте бавно въжето на стартера, докато усетите съпротивление, а след това дръпнете рязко.
- Изключете или премахнете всички външни товари на оборудването/двигателя, преди да го стартирате.
- Уверете се, че директно прикачените към двигателя елементи, като, но не само остриета, крилни витла, лебедки и зъбни колела, трябва да бъдат правилно прикрупени.

ЗАБЕЛЕЖКА: Вашето оборудване може да има прибори за дистанционно управление. Вижте ръководството за работа за разположението и работата с приборите за дистанционно управление.

1. Проверете моторното масло. Вижте раздел **Проверка нивото на маслото**.
2. Уверете се, че задвижващите прибори за управление на оборудването, ако има такива, са деактивирани.

- Преместете лоста на приборите за управление на дроселната клапа/TransportGuard® (А, Фигура 18), ако има такива, на позиция бързи обороти или работа. Работете с двигателя на позиция бързи обороти или работа.
 - Преместете лоста на смукача (В, Фигура 18) на позиция „ЗАТВОРЕНО“.
- Обикновено, не е необходим смукач при стартиране на топъл двигател.
- Ръчно стартиране, ако има такова:** Хванете здраво дръжката на въжето за стартера (С, фигура 18). Изтеглете бавно дръжката на въжето на стартера, докато почувствате съпротивление, след което го дръпнете рязко.



ПРЕДУПРЕЖДЕНИЕ

Бързото изтегляне на въжето на стартера (откат) притегля дланта и ръката Ви към двигателя по-бързо, отколкото Ви можете да я отдръпнете. Това може да причини счуване на кости, фрактури, натъртвания или навяхвания.

- За да избегнете отката, при стартиране на двигателя, издърпайте бавно въжето на стартера, докато усетите съпротивление, а след това дръпнете рязко.
 - Изключете или премахнете всички външни товари на оборудването/двигателя, преди да го стартирате.
 - Уверете се, че директно прикачените към двигателя елементи, като, но не само остриета, крилни витла, лебедки и зъбни колела, трябва да бъдат правилно прикрепени.
- Електрически стартер, ако има такъв:** Завъртете ключа за електрическо стартиране (D, фигура 18) на позиция „СТАРТ“.

ПРЕДУПРЕЖДЕНИЕ

Използвайте кратки стартови цикли (най-много пет секунди) за удължаване на живота на стартера. Изчакайте една минута между отделните стартови цикли.

- Щом двигателят загрее, поставете лоста на смукача (С, Фигура 18) на позиция „ОТВОРЕНО“.

Ако двигателят не стартира след 2 или 3 опита, свържете се с местния търговец или отидете на vanguardpower.com, или се обадете на 1-800-999-9333 (в САЩ).

Спрете двигателя



ПРЕДУПРЕЖДЕНИЕ

Горивото и неговите пари са възпламеними и взривоопасни. Пожар или експлозия може да доведе до изгаряния или смърт.

- Не запущайте карбуратора (ако има такъв) за да спрете двигателя.

Прибори за управление на дроселната клапа/TransportGuard®: Преместете приборите за управление на дроселната клапа/TransportGuard® (А, Фигура 19) на позиция „Изкл.“ или „СТОП“.

ЗАБЕЛЕЖКА: Когато приборите за управление на дроселната клапа/TransportGuard® (А, фигура 19) са на позиция „Изкл.“ или „СТОП“, клапанът на горивото е на позиция „Изкл.“ Винаги премествайте приборите за управление на дроселната клапа/TransportGuard® на позиция „Изкл.“ или „СТОП“ при транспортиране на оборудването.

ЗАБЕЛЕЖКА: Ключът (D, фигура 19) не спира двигателя. Ключът ЕДИНСТВЕНО стартира двигателя. Винаги изваждайте ключа (D) и го дръжте на безопасно място, далече от обсега на деца.

Техническо обслужване

Информация за техническо обслужване



ПРЕДУПРЕЖДЕНИЕ

Горивото и неговите пари са възпламеними и взривоопасни. Пожар или експлозия може да доведе до изгаряния или смърт.

По време на поддръжката, ако е необходимо да наклоните уреда, уверете се, че резервоарът за гориво, ако е монтиран на двигателя, е празен и че е изправен откъм страната на запалващата свещ. Ако резервоарът за гориво не е празен, може да изтече гориво и да причини пожар или експлозия. Ако двигателят е наклонен в друга посока, той няма лесно да се стартира поради замърсяване с масло или гориво на въздушния филтър или на запалителната свещ.



ПРЕДУПРЕЖДЕНИЕ

Случайна искра от двигателя може да причини токов удар, пожар или експлозия, и може да доведе до захващане, травматична ампутация или разкъсни наранявания.

Преди да извършвате настройки или поправки:

- Разкачете кабелите на всички запалителни свещи и ги дръжте далеч от тях.
- Разкачете кабела от отрицателната клема на акумулатора (само при двигатели с електрически стартер).
- Използвайте само правилните инструменти.

Когато проверявате за искра:

- Използвайте одобрен тестер за свещи.
- Не проверявайте за искра при извадена запалителна свещ.



ПРЕДУПРЕЖДЕНИЕ

Резервните части трябва да бъдат със същата конструкция и да се монтират в същото положение, както оригиналните части. Другите части може да се повредят или да се причини нараняване.

ПРЕДУПРЕЖДЕНИЕ

Всички компоненти, използвани при производството на този двигател, трябва да бъдат на мястото си за правилната му работа.

За всякакви дейности по поддръжката и сервизното обслужване на двигателя и негови части се обръщайте към упълномощен сервизен представител на Briggs & Stratton.

Сервизно обслужване по контрола на вредните емисии

За поддръжка, смяна или ремонт на устройствата и системите за контрол на вредните емисии, се свържете с квалифициран ремонтен цех или техник, ремонтиращ двигатели, които не се използват за транспортни цели. Все пак, за „безплатно“ сервизно обслужване по контрола на вредните емисии, работата трябва да бъде изпълнена от упълномощен представител на завода. Вижте Отчетите по контрола на вредните емисии.

График за техническо обслужване

След първите 5 часа	<ul style="list-style-type: none"> Сменете маслото.
На интервали от 8 часа или ежедневно	<ul style="list-style-type: none"> Проверете нивото на моторното масло. Почистете повърхностите около шумозаглушителя и приборите за управление. Почистете решетката на отвора за въздух.
На интервали от 100 часа или годишно	<ul style="list-style-type: none"> Обслужете изпускателната система. Сменете маслото в редукторната кутия (ако има такава).
На интервали от 200 часа или годишно	<ul style="list-style-type: none"> Сменете моторното масло. Почистете въздушния филтър¹
На интервали от 600 часа или на 3 години	<ul style="list-style-type: none"> Сменете въздушния филтър.
Ежегодно	<ul style="list-style-type: none"> Сменете запалителната свещ. Обслужете горивната система. Обслужете охлаждащата система¹. Проверете луфтовете на клапаните².

¹Почиствайте по-често в случай на условия с по-голяма замърсяване или когато във въздуха има множество частици.

²Не се налага, освен ако не възникнат проблеми в работата на двигателя.

Карбуратор и обороти на двигателя

Не регулирайте карбуратора, пружината на центробежния регулатор, лостовите връзки или други части с цел регулиране оборотите на двигателя. Ако се налагат регулирания се свържете с упълномощен сервизен представител на Briggs & Stratton за обслужване.

ПРЕДУПРЕЖДЕНИЕ

Производителят на оборудването определя максималните обороти за двигателя, който е монтиран. Не превишавайте тези обороти. Ако не сте сигурни какви са максималните обороти на оборудването или какви обороти са регулирани от завода, свържете се с упълномощен сервизен представител на Briggs & Stratton за помощ. За безопасна и правилна работа на оборудването, оборотите на двигателя трябва да се регулират само от квалифициран сервизен техник.

Обслужване на запалителната свещ

Проверявайте искровата междина на запалителната свещ (А, фигура 20) с помощта на измервателен прибор за кабели (В). Ако е необходимо, регулирайте искровата междина на запалителната свещ. Монтирайте и затегнете запалителната свещ с препоръчвания въртящ момент. За спецификации за междината или въртящия момент, вижте раздел **Спецификации**.

Сервизно обслужване на изпускателната и охладителната системи



ПРЕДУПРЕЖДЕНИЕ

По време на работа, двигателят и шумозаглушителят се нагорещават. Ако докоснете горещ двигател, може да се изгорите.

Запалимите материали, като листа, трева и сухи клонки, могат да се запалят.

- Преди да докоснете двигателя или шумозаглушителя, спрете двигателя и изчакайте две (2) минути. Уверете се, че е безопасно да докосвате двигателя и шумозаглушителя.
- Отстранете отпадъците от шумозаглушителя и двигателя.

Според Правилника на Калифорния за обществените ресурси, раздел 4442, използването или работата с двигателя по залесени с гори, храсти или с тревни площи представлява нарушение, освен ако системата за отработени газове не е снабдена с искрогасител, поддържан в ефикасно работно състояние, както е определено в раздел 4442. Други щати или федерални юрисдикции могат да имат подобни закони; за справка – Федерален регламент 36 CFR, част 261.52. Свържете се с производителя, търговеца или продавача на оригинално оборудване, за да получите искроуловител, проектиран за системата за отработени газове на този двигател.

Това е двигател с въздушно охлаждане. Замърсявания или нежелани материали могат да възпрепятстват въздушния поток и да доведат до прекомерно загряване на двигателя. Това влошава работните характеристики и съкращава живота на двигателя. Между ребрата за охлаждане на цилиндъра могат да съберат нежелани замърсявания, които не могат да бъдат премахнати без частично разглобяване на двигателя. Системата за въздушно охлаждане трябва да се проверява и почиства само от упълномощен сервизен представител на Briggs & Stratton. Вижте **Графика за техническо обслужване**.

1. Уверете се, че около и зад шумозаглушителя няма запалими материали.
2. Използвайте четка и сух парцал, за да отстраните всички нежелани материали от зоната на кожуха на вентилатора, на шумозаглушителя и на цилиндъра. НЕ ИЗПОЛЗВАЙТЕ вода за почистване на двигателя.
3. Уверете се, че лостовите системи, пружините и органите за управление са чисти.
4. Проверете шумозаглушителя за пукнатини, корозия или друг вид повреда.
5. Свалете дефлектора или искрогасителя, ако има такива, и ги проверете за повреди или запушване със сажди. Преди да работите отново с оборудването се уверете, че сте извършили необходимото почистване или монтаж на резервните части.
6. Ако има монтиран маслен радиатор, уверете се, че ребрата му не са замърсени.

Смяна на маслото на двигателя



ПРЕДУПРЕЖДЕНИЕ

Горивото и неговите пари са възпламеними и взривоопасни. Пожар или експлозия може да доведе до изгаряния или смърт.

По време на работа, двигателят и шумозаглушителят се нагорещават. Ако докоснете горещ двигател, може да се изгорите.

- Ако източвате маслото от горната тръба за пълнене на масло, резервоарът за гориво трябва да бъде празен. Ако не е празен, може да изтече гориво и да причини пожар или експлозия.
- Преди да докоснете двигателя или шумозаглушителя, спрете двигателя и изчакайте две (2) минути. Уверете се, че е безопасно да докосвате двигателя и шумозаглушителя.

Отработеното масло е опасен отпадъчен продукт и трябва да се изхвърля по подходящ начин. Да не се изхвърля с домакинските отпадъци. Свържете се с местните власти, обслужващия център или представител за безопасно депониране или рециклиране.

При модели **Just Check & Add™**, не се налага смяна на маслото. Ако е необходима смяна на маслото, спазвайте процедурата, която следва.

Раздел Източване на маслото

1. При изключен, но топъл двигател, откачете кабелите на свещите (D, Фигура 21) и внимавайте да не влизат в контакт със свещите (E).
2. Извадете щеката на нивопоказателя (A, Фигура 22).
3. Двигателят има две пробки за източване на маслото (H, F, фигура 23). Извадете пробките за източване на маслото (H, F). Източете маслото в подходящ контейнер.
4. Завийте и затегнете пробките за източване на маслото (H, F, Фигура 23).

Доливане на масло

- Уверете се, че двигателят е разположен хоризонтално.
- Почистете зоната около отвора за масло от всякакви нежелани материали.
- Вижте раздел **Технически данни** относно вместимостта за маслото.

1. Свалете нивопоказателя за маслото. Вижте раздел **Източване на маслото**.
2. Бавно налейте масло в някой от отворите за наливане на масло в двигателя (C, G, Фигура 24). Не добавяйте твърде много масло.
3. Изчакайте една минута и отново проверете нивото на маслото.
4. Поставете нивопоказателя на маслото.
5. Свалете нивопоказателя и проверете нивото на маслото. Правилното ниво на маслото е до горната част на индикатора за напълване върху щеката. Вижте раздел **Проверка нивото на маслото**.
6. Поставете и затегнете отново щеката на нивопоказателя.
7. Свържете кабелите на запалителните свещи. Вижте раздел **Източване на маслото**.

Смяна на маслото в редукторната кутия

Някои двигатели са оборудвани с редукторна кутия. Ако има такова оборудване, вижте стъпките за един от редукторите, които следват.

Редукторна кутия с предавателно отношение 2:1 с верига

Ако двигателят е монтиран с верижен редуктор 2:1 (G, фигура 25), смяна на маслото не е необходима. Маслото в двигателя смазва и редукторната кутия с верига.

Редукторна кутия с предавателно отношение 2:1 с мокър съединител

Ако двигателят е снабден с редукторна кутия с мокър съединител с предавателно отношение 2:1, следвайте стъпките по-долу:

1. Извадете щеката на нивопоказателя (A, Фигура 26).
2. Свалете пробката за източване на маслото (B, фигура 26) и източете маслото в подходящ контейнер.
3. Поставете и затегнете пробката за източване на маслото (B, Фигура 26).
4. Бавно налейте масло в отвора за наливане на масло (C, Фигура 26). Вижте раздел **Спецификации**.
5. Монтирайте нивопоказателя (A, Фигура 26).
6. Свалете щеката на нивопоказателя (A, Фигура 26) и проверете нивото на маслото. Правилното ниво на маслото е до горната част на индикатора за напълване (D) върху щеката на нивопоказателя.
7. Монтирайте нивопоказателя (A, Фигура 26).

Редукторна кутия с предавателно отношение 6:1

Ако Вашият двигател е снабден с редукторна кутия с предавателно отношение 6:1, следвайте стъпките, както следва:

1. Свалете пробката за наливане на маслото (А, Фигура 27) и пробката за отчитане на нивото на маслото (В).
2. Свалете пробката от отвора за източване на маслото (С, фигура 27) и източете маслото в подходящ контейнер.
3. Поставете отново и затегнете пробката за източване на маслото (С, фигура 27).
4. Бавно добавете редукторно масло (80W-90) в отвора за пълнене с масло (D, фигура 27). Продължете да добавяте масло за редуктори (80W-90), докато маслото излезе от отвора за нивото на маслото (Е).
5. Поставете отново и затегнете пробката на отвора за проверка на нивото на маслото (В, фигура 27).
6. Поставете отново и затегнете пробката на отвора за пълнене с масло (А, фигура 27).

ЗАБЕЛЕЖКА: Пробката на отвора за пълнене с масло (А, фигура 27) има вентилационен отвор (F) и трябва да се монтира отгоре на капака на редукторния картер, както е показано.

Обслужване на въздушния филтър

ПРЕДУПРЕЖДЕНИЕ



Изпаренията на горивата са възпламеними и взривоопасни. Пожар или експлозия може да доведе до изгаряния или смърт.

- Не стартирайте и не работете с двигателя при демонтиран комплект на въздушния филтър (ако има такъв) или със свален въздушен филтър (ако има такъв).

ПРЕДУПРЕЖДЕНИЕ

Не използвайте сгъстен въздух или разтворители, за да почиствате филтъра. Сгъстеният въздух може да причини повреда на филтъра, а разтворителите да го разтворят.

Вижте **Графика за техническото обслужване** относно изискванията за обслужване.

Различните модели използват хартиен филтър или филтър от пенопласт. Някои модели са оборудвани и с предфилтър (по желание), който може да се почиства и използва отново. Сравнете илюстрациите в това ръководство с типа филтър, монтиран на Вашия двигател и го обслужвайте, както следва.

Хартиен въздушен филтър

1. Освободете крепежните елементи (А, фигура 28)
2. Демонтирайте капака (А, фигура 28) и филтъра (В).
3. За да освободите наслояванията, леко потупайте въздушния филтър (В, фигура 28) върху твърда повърхност. Ако филтърът е замърсен, сменете го с нов.
4. Монтирайте филтъра (В, фигура 28).
5. Монтирайте капака (А, фигура 28) и го закрепете с крепежните елементи (С). Уверете се, че крепежният (-те) елемент (-и) е/са стегнат (-и).

Въздушен филтър - профил отдолу

1. Преместете палеца (А, Фигура 29), за да отключите капака (С).
2. Бутнете зъбчетата (В, Фигура 29) и махнете капака (С).
3. Демонтирайте филтъра (D, фигура 29).
4. За да освободите наслояванията, леко потупайте филтъра (D, фигура 29) върху твърда повърхност. Ако филтърът е замърсен, сменете го с нов.
5. Монтирайте филтъра (D, фигура 29).
6. Поставете капака (С, фигура 29). Преместете палеца (А) до заключена позиция.

ЗАБЕЛЕЖКА: Проверете състоянието на пенопластово уплътнение (Е, фигура 29). Уверете се, че пенопластовото уплътнение по периметъра е поставено правилно в канала (F).

Обслужване на горивната система

ПРЕДУПРЕЖДЕНИЕ



Горивото и неговите пари са възпламеними и взривоопасни. Пожар или експлозия може да доведе до изгаряния или смърт.

- Дръжте горивото далече от искри, открити пламъци, пилотни светлини, топлина и други източници на запалване.
- Често преглеждайте горивопроводите, резервоара за гориво, капачката на горивото и връзките за наличие на пукнатини или течове. Подменете повредените части.
- Ако горивото се разлее, изчакайте, докато се изпари преди да стартирате двигателя.

Цедка за гориво, ако има такава

1. Свалете капачката на резервоара за гориво (А, Фигура 30).
2. Свалете цедката за горивото (В, Фигура 30).
3. Ако Гориво цедката е замърсена, почистете я или я сменете. Ако сменят цедката за гориво, уверете се, че новата цедка е оригинална резервна част.

Складиране

Горивна система

Вижте Фигура 31.

ПРЕДУПРЕЖДЕНИЕ



Горивото и неговите пари са възпламеними и взривоопасни. Пожар или експлозия може да доведе до изгаряния или смърт.

Съхранение на горивото

- Тъй като сигналните светлини или други източници на запалване могат да причинят експлозии, дръжте горивото или оборудването далеч от пещи, печки, бойлери или други уреди, които имат сигнални светлини.

Поддържайте нивото на двигателя (нормално работно положение). Напълнете резервоара за гориво (А, фигура 31) с гориво. За да се даде възможност за топлинно разширение на горивото, не пълнете над гърлото на резервоара за гориво (В).

Горивото може да застои, когато се съхранява повече от 30 дни. За да се предотврати влошаването на качествата му, се препоръчва използването на стабилизатор на гориво, несъдържащ алкохол, както и на етанолова добавка.

Когато пълните туба с гориво, добавете стабилизатор на гориво, несъдържащ алкохол, съгласно инструкциите на производителя. Ако бензинът в двигателя не е третиран със стабилизатор, трябва да се източи в подходящ контейнер. Оставете двигателя да работи докато останалото в него гориво свърши.

Масло на двигателя

Докато двигателят е все още топъл, сменете маслото. Вижте раздел **Смяна на двигателното масло**.

Откриване и отстраняване на неизправности

Съдействие

За помощ, се свържете с Вашия местен търговец или отидете на BRIGGSandSTRATTON.COM, или се обадете на **1-800-444-7774** (в САЩ).

Спецификации и резервни части

Раздел Спецификации	Модел: 10V000	Модел: 12V000
Работен обем	10.313 куб. инча (169 куб. см)	12.387 куб. инча (203 куб. см)
Отвор	2.44 инча (62 мм)	2.677 инча (68 мм)
Работен ход на буталото	2.204 инча (56 мм)	2.204 инча (56 мм)
Вместимост за масло	18 - 20 унции (.54 - .59 л)	18 - 20 унции (.54 - .59 л)
Редукторна кутия с мокър съединител с предавателно отношение 2:1 – вид масло	10W-30	10W-30

Раздел Спецификации	Модел: 10V000	Модел: 12V000
Редукторна кутия с мокър съединител с предавателно отношение 2:1 – вместимост за масло	10 унци (,30 л)	10 унци (,30 л)
Редукторната кутия с предавателно съотношение 6:1 - вид масло	80W-90	80W-90
Редукторната кутия с предавателно съотношение 6:1 - вместимост за масло	4 унци (12 л)	4 унци (12 л)
Искрова междина на запалителната свещ	.030 инча (,76 мм)	.030 инча (,76 мм)
Въртящ момент за затягане на запалителната свещ	180 фунт-инч (20 Nm)	180 фунт-инч (20 Nm)
Въздушна междина между ротора и статора	.010 - .013 инча (,25 - ,35 мм)	.010 - .013 инча (,25 - ,35 мм)
Междина на всмукателния клапан	.004 - .006 инча (,10 - ,15 мм)	.004 - .006 инча (,10 - ,15 мм)
Междина на изпускателния клапан	.005 - .007 инча (,15 - ,20 мм)	.005 - .007 инча (,15 - ,20 мм)

Раздел Спецификации	Модел: 25V000
Работен обем	24.898 куб. инча (408 куб. см)
Отвор	3.465 инча (88 мм)
Работен ход на буталото	2.638 инча (67 мм)
Болт за скоба за монтаж на кабел	30 фунт-инч (3,4 Nm)
Винт за захващане на проводник	25 фунт-инч (2,8 Nm)
Вместимост за масло	18 - 20 унци (,54 - ,59 л)
Искрова междина на запалителната свещ	.030 инча (,76 мм)
Въртящ момент за затягане на запалителната свещ	180 фунт-инч (20 Nm)
Въздушна междина между ротора и статора	.010 - .013 инча (,25 - ,35 мм)
Междина на всмукателния клапан	.004 - .006 инча (,10 - ,15 мм)
Междина на изпускателния клапан	.005 - .007 инча (,15 - ,20 мм)

Мощността на двигателя ще намалява с 3,5% на всеки 1000 фута (300 метра) над морското ниво и с 1% за всеки 10°F (5,6°C) над 77°F (25°C). Двигателят ще работи задоволително при наклон до 30°. Направете справка в Ръководството за работа с оборудването за допустимите, безопасни граници за работа на наклони.

Сервизни части

За да закупите резервни части на Briggs & Stratton, намерете упълномощен сервизен представител на BRIGGSandSTRATTON.COM. Ще е необходим идентификационен номер (модел - тип - модификация). За да намерите идентификационния номер на двигателя, вижте раздел **Функции и органи за управление**.

Номинална мощност

Общата номинална мощност за отделните модели бензинови двигатели се определя в съответствие с код J1940 от Процедура за оценка на мощността и въртящия момент на малки двигатели на SAE (Асоциация на автомобилните инженери) и се оценява в съответствие със SAE J1995. Стойностите на въртящия момент са отчетени при 2 600 об./мин. за двигателите, чиито „об./мин.“ са посочени на етикетата, и при 3 060 об./мин. за всички останали; мощностите в конски сили са отчетени при 3 600 об./мин. Кривите на общата мощност могат да се видят на: www.BRIGGSandSTRATTON.COM. Стойностите на нетната мощност са отчетени при инсталирани системи за отделяне на изгорели газове и за почистване на въздуха, докато стойностите на общата мощност се отчитат без тези прикачни устройства. Действителната обща мощност на двигателя е по-висока от нетната мощност и зависи, освен всичко друго, от условията на работната среда, както и от специфичните особености на всеки двигател. Имайки предвид голямото разнообразие от устройства, на които се инсталират такива двигатели, бензиновият двигател може да не е в състояние да развива общата номинална мощност, когато се използва в даден вид оборудване. Тези разлики се дължат на различни фактори, включително, но без ограничение до разнообразните компоненти на двигателяте (системи за почистване на въздуха, за отделяне на

изгорели газове, за зареждане, за охлаждане, карбуратор, горивна помпа и др.), ограничения на приложението, условия на работната среда (температура, влажност, надморска височина), както и от специфичните особености на всеки двигател. Вследствие на ограниченията за производство и капацитет, Briggs & Stratton може да замени този двигател с двигател с по-висока номинална мощност.

Гаранция

Гаранция за двигател Briggs & Stratton®

В сила от м. август 2022 г.

Ограничена гаранция

Фирма Briggs & Stratton гарантира, че по време на указания по-долу гаранционен период ще поправи или замени безплатно всяка част, оказала се дефектна по отношение на материалите или изработката, или и двете с нова, възстановена или преработена част, единствено по преценка на Briggs & Stratton. Транспортните разходи за изпратения за ремонт или за замяна продукт по тази гаранция трябва да бъдат поети от клиента. Тази гаранция е валидна за определения срок и се подчинява на изложените по-долу условия. За гаранционно обслужване намерете най-близкия упълномощен сервизен представител на картата в нашия указател на представителите в BRIGGSandSTRATTON.COM. Потребителят трябва да се свърже с упълномощен сервизен представител, на когото да предостави продукта за оглед и изпитване.

Няма друга изрична гаранция. Подразбиращите се гаранции, включително такива за годност за продажба или за определено предназначение, са ограничени до една година от датата на закупуване или до степента, разрешена от закона. Всички други подразбиращи се гаранции се изключват. Отговорността за непредвидени или закономерно настъпили вреди са изключени до степента на изключване, позволена от закона.

Някои щати или държави не допускат ограничения за срока на валидност на подразбиращи се гаранции. Също така някои щати или държави не позволяват изключване или ограничаване на отговорността за случайни или закономерно настъпили повреди, така че горното ограничение и изключване може да не се отнася за Вас. Тази гаранция Ви дава определени законови права, а Вие можете да имате и други такива, които са различни в отделните щати и в отделните държави.

Стандартни гаранционни условия^{1, 2}

Vanguard®; Серия за търговска употреба
Лична употреба - 36 месеца
Търговска употреба - 36 месеца
Серия XR
Лична употреба - 24 месеца
Търговска употреба - 24 месеца
Всички други двигатели с чугунена риза Dura-Bore™
Лична употреба - 24 месеца
Търговска употреба - 12 месеца
Всички други двигатели
Лична употреба - 24 месеца
Търговска употреба - 3 месеца

¹ Това са нашите стандартни гаранционни условия, но е възможно понякога да има допълнително гаранционно покритие, което не е било определено към момента на публикуване на този документ. За списък на текущите гаранционни условия за вашия двигател посетете BRIGGSandSTRATTON.com или се свържете с вашия упълномощен сервизен представител на Briggs & Stratton.

² Не се предоставя гаранция за двигатели, монтирани на оборудване, което се ползва като основен енергоизточник вместо централно електрозахранване; за резервни генератори, ползвани за търговски цели, за специализирани превозни средства с мощност над 25 к.с. или за двигатели, използвани за състезания, за търговски цели или за отдаване под наем.

*В Австралия – Нашите стоки се доставят с гаранции, които не могат да се изключват, по силата на австралийското законодателство за потребителите. При сериозен дефект имате право на замяна или възстановяване на сумата, както и на компенсация за всяка друга нормално предвидима загуба или повреда. Също така имате право на ремонт или замяна на стоката, в случай че тя не е с приемливо качество и повредата не може да се квалифицира като сериозен дефект. За гаранционно обслужване намерете най-близкия упълномощен сервизен представител на картата в нашия указател на представителите в BRIGGSandSTRATTON.COM или се обадете на 1300 274 447, изпратете имейл или пишете на salesenquiries@briggsandstratton.com.au, Briggs & Stratton Australia Pty Ltd, 1 Moorebank Avenue, Moorebank, NSW, Австралия, 2170.

Гаранционният период започва от датата на закупуване от първия потребител на дребно или от крайния потребител за търговски цели и продължава за периода, посочен в горната таблица. „Потребителска употреба“ означава употреба за лични и домашни цели от краен потребител. „Търговска употреба“ означава всеки

друг вид употреба, включително за търговски цели, за генериране на доходи или за отдаване под наем. След като веднъж двигателят е бил ползван за търговска употреба, по-нататък той ще бъде считан като двигател за търговска употреба за целите на тази гаранция.

За да получите гаранция на продуктите Briggs & Stratton, не е необходима регистрация. Запазете касовата бележка като доказателство за покупката. Ако при заявяване на гаранционно обслужване не предоставите доказателство за датата на първоначално закупуване, за определяне на гаранционния срок ще бъде използвана датата на производство на продукта.

Относно Вашата гаранция

Тази ограничена гаранция покрива само употребен в двигателя дефектен материал и/или изработка, а не замената или възстановяването на средствата за оборудването, към което двигателят може да е монтиран. Текущото техническо обслужване, регулировки, настройки или нормалното износване и изхабяване не са покрити от тази гаранция. Също така, гаранцията е невалидна, ако двигателят е видоизменян, преобразуван или серийният му номер е повреден или отстранен. Тази гаранция не покрива повреди или проблеми с работата на двигателите причинени от:

1. използването на части, които не са Briggs & Stratton
2. експлоатиране на двигателя с недостатъчно, замърсено или неправилно избрано масло за смазване;
3. Използване на замърсено или престояло гориво, на бензин, съдържащ над 10% етанол, или използването на алтернативни горива като втечен пропан-бутан или метан за двигатели, които поначало не са проектирани/произведени от Briggs & Stratton да работят с такива горива;
4. Замърсявания попаднали в двигателя вследствие на неправилно техническо обслужване или неправилно сглобяване на въздушния филтър;
5. удяране на предмет с режещия нож на ротационната полева косачка, разхлабени или неправилно поставени адаптери за ножовете, лопатките или други устройства, свързани към коляновия вал, или от прекомерно натягане на трапецовидния ремък;
6. Свързани части или сборки, като съединители, трансмисии, органи за управление и други, които не са доставени от Briggs & Stratton;
7. прегряване, дължащо се на окосена трева, на замърсяване или отломки, или на гнезда на гризачи, които запушват или задръстват охлаждащите пластини или кожата на маховика, или работа на двигателя без достатъчно охлаждане;
8. прекомерна вибрация, причинена от превишени обороти, хлабав монтаж на двигателя, хлабави или небалансирани ножове или перки, или неправилно свързване на елементите на оборудването към коляновия вал;
9. неправилна употреба, липса на редовно техническо обслужване, неправилно транспортиране, маневриране или складиране на оборудването или неправилен монтаж на двигателя.

Гаранционното обслужване се предоставя само чрез упълномощените сервизни представители на Briggs & Stratton. Намерете най-близкия упълномощен сервизен представител на картата в нашия указател на представителите в BRIGGSandSTRATTON.COM или като се обадите на 1-800-444-7774 (в САЩ).

80114782 (Версия А)

Obecné informace



Tato příručka obsahuje bezpečnostní informace o nebezpečí a rizicích, která souvisí s motorem, a jak ji předcházet. Obsahuje i pokyny, jak řádně motor používat a jak se něj starat. Je důležité, abyste si tyto pokyny přečetli, porozuměli jim a dodržovali je. **Návod si uschovejte pro budoucí potřebu.**

POZNÁMKA: Obrázky a ilustrace v tomto návodu slouží pouze pro referenční účely a mohou se lišit od vašeho specifického modelu. Použijte obrázky, které odpovídají konfiguraci vašeho motoru. V případě nutnosti kontaktujte autorizované servisní středisko.

Zapište si datum zakoupení, model motoru, typové a kódové číslo a sériové číslo motoru pro náhradní díly. Tato čísla jsou na motoru. Viz část **Funkce a ovládací prvky**.

Datum zakoupení	
Model motoru – typ – označení	
Sériové číslo motoru	

Kontaktní údaje evropské kanceláře

Pokud jde o dotazy ohledně emisí v Evropě, obraťte se prosím na naši evropskou kancelář na adrese:


Max-Born-Straße 2, 68519 Viernheim, Německo.

Emisní norma V (5) evropské unie (EU): Hodnoty oxidu uhličitého (CO₂)

Hodnoty oxidu uhličitého pro motory Briggs & Stratton se schváleným certifikátem EU najdete tak, že do vyhledávacího okna na webu BriggsandStratton.com zadáte CO₂.

Bezpečnost obsluhy

Bezpečnostní výstražné symboly a signální slova

Bezpečnostní varovná značka  uvádí bezpečnostní informace o rizicích, která mohou vést ke zranění osob. Signální slovo (**NEBEZPEČÍ**, **VAROVÁNÍ** nebo **POZOR**) upozorňuje na pravděpodobnost a možnost vážnosti poškození. Výstražný symbol se navíc používá k zobrazení typu rizika.

NEBEZPEČÍ ukazuje riziko, které, jestliže se mu nevyvarujete, **povede** ke smrti nebo vážnému poranění.

VAROVÁNÍ ukazuje na riziko, které, jestliže se mu nevyvarujete, **může vést** ke smrti nebo vážnému poranění.

POZOR ukazuje na riziko, které, jestliže se mu nevyvarujete, **může vést** ke menšímu či středně závažnému poranění.

UPOZORNĚNÍ označuje informace považované za důležité, ale nesouvisící s riziky.

Výstražné symboly a jejich význam

 Bezpečnostní informace o rizicích, která mohou vést k poraněním.	 Před provozem či prováděním servisní jednotky si přečtěte návod k obsluze.
 Riziko požáru	 Riziko výbuchu
 Nebezpečí zásahu elektrickým proudem	 Riziko toxických plynů
 Riziko horkého povrchu	 Nebezpečí zpětného rázu
 Riziko amputace – pohyblivé součásti	 Hladina paliva – maximum Nepřepřelujte

Bezpečnostní upozornění



VAROVÁNÍ

Motory značky Briggs & Stratton® nejsou konstruovány pro pohánění následujících zařízení a nesmějí být tedy takto používány: vozítka, motokáry, dětská, rekreační nebo sportovní terénní vozidla (ATV), motocykly, vznášedla, letecké výrobky nebo vozidla používaná v soutěžích, které společnost Briggs & Stratton neschválila. Informace o soutěžních a závodních výrobcích naleznete na adrese www.briggsracing.com. Informace o používání ve čtyřkolkách a ATV vozidlech side-by-side získáte v Power Application Center, středisku pro aplikaci motorů společnosti Briggs & Stratton, tel. 1-866-927-3349. Nesprávné použití motoru by mohlo vést ke smrti či vážnému poranění.

Informace o recyklaci



Veškeré kartony, krabice, použitý olej a baterie recyklujte v souladu s příslušnými předpisy.

Funkce a ovládací prvky




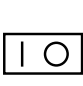




Ovládací prvky motoru

Porovnejte písmena štítku na obrázcích 1, 2 a 3 s ovládacími prvky motoru v následujícím seznamu:

- Identifikace motoru **Model - Typ - Kód**
- Zapalovací svíčka
- Palivová nádrž a zátka
- Vzduchový filtr
- Držadlo kabelu startéru
- Ponorná měrka oleje
- Otvor pro plnění oleje
- Vypouštěcí zátka oleje
- Tlumič, kryt tlumiče (je-li nainstalován), lapač jisker (je-li nainstalován)
- Ovladač plynu/uzavírací ventil paliva/TransportGuard™
- Ovladač sytiče
- Mřížka sání vzduchu
- Spínač elektrostartéru (je-li ve výbavě)
- Redukční převodovka (je-li ve výbavě)

Některé motory a zařízení jsou vybaveny dálkovými ovladači. Popis umístění a funkce tohoto dálkového ovládání najdete v příručce k zařízení.

Symboly ovládání motoru a jejich význam

 Rychlost motoru – RYCHLE	 Rychlost motoru – POMALU
 Rychlost motoru – STOP	 ZAPNUTO – VYPNUTO
 Spouštění motoru Sytič ZAVŘENÝ	 Spouštění motoru Sytič OTEVŘENÝ
 Zátka nádrže Palivový uzavírací ventil OTEVŘENÝ	 Palivový uzavírací ventil ZAVŘENÝ

Montáž

Přestavba ovládání akcelarátoru

Standardní motor je vybaven manuálním ovládáním akcelarátoru. Chcete-li aktivovat ruční ovladač plynu, namontujte dálkový ovladač plynu, nebo provedte přestavbu na pevné otáčky. Postupujte podle následujících pokynů.

POZNÁMKA: Otáčky motoru musí být správné, jak je stanoveno ve specifikacích výkonu výrobce zařízení. Potřebujete-li pomoci, obraťte se na autorizovaného prodejce značky Briggs & Stratton.

Manuální ovládání plynu

1. Páku ovladače plynu/TransportGuard® (A, obrázek 4) posuňte do polohy VYPNUTO.
2. Vyjměte pružinu (S, obrázek 4).

Dálkové ovládání plynu lankem

Dálkový ovladač plynu se spleťaným lankem lze nainstalovat dvěma směry: **Směr hlavy válce** nebo **zepředu**.

Směr hlavy válce

1. Páku ovladače plynu / TransportGuard™ (A, Obrázek 5) posuňte do polohy VYPNUTO.
2. Klíčem velikosti 10 mm uvolněte matici (P, Obrázek 5) na páce ovladače plynu/TransportGuard® (A) o ½ otáčky.
3. Nasadte klíč velikosti 10 mm na upevňovací matici lanka (J, Obrázek 6) a povolte šroub (K).
4. Nainstalujte lanko (L, Obrázek 6) otvorem v upevňovací matici lanka (J) a dotáhněte šroub (K). Zkontrolujte, zda lanko (L) nepřechřívá více než ½ palce (12,7 mm) za otvor.
5. Povolte šroub (I, Obrázek 6). Upevněte objímku lanka (N) pod svorku lanka (M) a dotáhněte šroub (I).
6. Zkontrolujte funkci dálkového ovladače plynu. Přesuňte 2–3krát dálkový ovladač plynu z polohy POMALU do polohy RYCHLE. Zkontrolujte, zda se dálkový ovladač plynu a lanko (L, Obrázek 6) pohybují volně. Matici (P, Obrázek 7) nastavte podle potřeby pro danou polohu.

Zepředu

1. Nastavte páku ovladače plynu / přepravního krytu TransportGuard™ :
 - a. **Pro modely s motorem 10V000 a 12V000:** Posuňte páku ovladače plynu/TransportGuard® (A, obrázek 8) do polohy RYCHLE.
 - b. **Pro modely s motorem 25V000:** Páku ovladače plynu / TransportGuard™ (A, obrázek 8) posuňte do polohy VYPNUTO.
2. Klíčem velikosti 10 mm uvolněte matici (P, obrázek 7) na páce ovladače plynu/TransportGuard® (A) o ½ otáčky.
3. Nasadte klíč velikosti 10 mm na upevňovací matici lanka (J, obrázek 8) a povolte šroub.
4. Nainstalujte lanko (L, obrázek 8) otvorem v upevňovací matici lanka (J) a dotáhněte šroub (K). Zkontrolujte, zda lanko (L) nepřechřívá více než ½ palce (12,7 mm) za otvor.
5. Povolte šroub (I, obrázek 8). Upevněte objímku lanka (N) pod svorku lanka (M) a dotáhněte šroub (I).
6. Zkontrolujte funkci dálkového ovladače plynu. Přesuňte 2–3krát dálkový ovladač plynu z polohy POMALU do polohy RYCHLE. Zkontrolujte, zda se dálkový ovladač plynu a lanko (L 8) pohybují volně. Matici (P, obrázek 7) nastavte podle potřeby pro danou polohu.

Dálkové ovládání plynu plným drátem

Dálkový ovladač plynu s plným lankem lze nainstalovat čtyřmi směry: **Směr hlavy válce, zepředu, zleva** nebo **zprava**.

Směr hlavy válce

1. Páku ovladače plynu/TransportGuard® (A, obrázek 9) posuňte do polohy VYPNUTO.
2. Vyjměte pružinu (S, obrázek 9).
3. Posuňte ovladač plynu/TransportGuard® (A, obrázek 9) do polohy RYCHLE.
4. Klíčem velikosti 10 mm uvolněte matici (P, obrázek 4) na páce ovladače plynu/TransportGuard® (A) o ½ otáčky.
5. Namontujte držák plného lanka ve tvaru „Z“ (Q, obrázek 9) do některého malého otvoru na lomené páce (R).
6. Povolte šroub (I, obrázek 9). Upevněte objímku lanka (N) pod svorku lanka (M) a dotáhněte šroub (I).
7. Zkontrolujte funkci dálkového ovladače plynu. Přesuňte 2–3krát dálkový ovladač plynu z polohy POMALU do polohy RYCHLE. Zkontrolujte, zda se dálkový ovladač plynu a lanko (L, obrázek 9) pohybují volně. Matici (P, obrázek 4) nastavte podle potřeby pro danou polohu.

Zepředu

1. Páku ovladače plynu/TransportGuard® (A, obrázek 10) posuňte do polohy VYPNUTO.

2. Vyjměte pružinu (S, obrázek 10).
3. Posuňte páku ovladače plynu/TransportGuard® (A, obrázek 10) do polohy RYCHLE.
4. Klíčem velikosti 10 mm uvolněte matici (P, obrázek 4) na páce ovladače plynu/TransportGuard® (A) o ½ otáčky.
5. Namontujte držák plného lanka ve tvaru „Z“ (Q, obrázek 10) do některého malého otvoru na lomené páce (R).
6. Povolte šroub (I, obrázek 10). Upevněte objímku lanka (N) pod svorku lanka (M) a dotáhněte šroub (I).
7. Zkontrolujte funkci dálkového ovladače plynu. Přesuňte 2–3krát dálkový ovladač plynu z polohy POMALU do polohy RYCHLE. Zkontrolujte, zda se dálkový ovladač plynu a lanko (L, obrázek 10) pohybují volně. Matici (P, obrázek 4) nastavte podle potřeby pro danou polohu.

Zleva

1. Páku ovladače plynu/TransportGuard® (A, Obrázek 11) posuňte do polohy VYPNUTO.
2. Vyjměte pružinu (S, Obrázek 4).
3. Posuňte páku ovladače plynu/TransportGuard® (A, Obrázek 11) do polohy RYCHLE.
4. Klíčem velikosti 10 mm uvolněte matici (P, Obrázek 4) na páce ovladače plynu/TransportGuard® (A, Obrázek 11) o ½ otáčky.
5. Sejměte ovladač plynu (W, Obrázek 11) a odkryjte malý otvor (S).
6. Namontujte držák plného lanka ve tvaru „Z“ (L, Obrázek 11) do malého otvoru (S) na páce ovladače plynu (A).
7. Povolte šroub (I, Obrázek 11). Upevněte objímku lanka (N) pod svorku lanka (M) a dotáhněte šroub (I).
8. Zkontrolujte funkci dálkového ovladače plynu. Přesuňte 2–3krát dálkový ovladač plynu z polohy POMALU do polohy RYCHLE. Zkontrolujte, zda se dálkový ovladač plynu a lanko (L, Obrázek 11) pohybují volně. Matici (P, Obrázek 4) nastavte podle potřeby pro danou polohu.

Zprava

Chcete-li nainstalovat dálkový ovladač plynu zprava, je zapotřebí montážní držák lanka (U, obrázek 12). Popis čísel součástí viz kapitola **Specifikace a náhradní součásti**. Tento montážní držák drátu lze zakoupit od autorizovaného servisního střediska Briggs & Stratton.

1. Páku ovladače plynu/TransportGuard® (A, obrázek 12) posuňte do polohy VYPNUTO.
2. Vyjměte pružinu (S, obrázek 4).
3. Sejměte ovladač plynu (W, obrázek 12) a odkryjte malý otvor (S).
4. Posuňte páku ovladače plynu/TransportGuard® (A, obrázek 12) do polohy RYCHLE.
5. Klíčem velikosti 10 mm uvolněte matici (P, obrázek 4) na páce ovladače plynu/TransportGuard® (A, 12) o ½ otáčky.
6. Namontujte držák plného lanka ve tvaru „Z“ (L, obrázek 12) do malého otvoru (S) na páce ovladače plynu (A).
7. Demontujte šroub (T, obrázek 12). Namontujte montážní držák lanka (U), jak je znázorněno na obrázku. Upevněte montážní držák drátu (U) šroubem (T). Dotáhněte šroub (T) na moment 30 lb-in (3,4 Nm). Viz kapitola **Specifikace a náhradní součásti**.
8. Povolte šroub (I, obrázek 12). Upevněte objímku lanka (N) pod svorku lanka (M) a dotáhněte šroub (I).
9. Zkontrolujte funkci dálkového ovladače plynu. Přesuňte 2–3krát dálkový ovladač plynu z polohy POMALU do polohy RYCHLE. Zkontrolujte, zda se dálkový ovladač plynu a lanko (L, obrázek 12) pohybují volně. Matici (P, obrázek 4) nastavte podle potřeby pro danou polohu.

Pevné ovládání otáček (bez lanka ovládání akcelérátoru)

Po přestavbě na **pevné otáčky motoru** se nepoužívá žádné lanko ovladače plynu ani není k dispozici volba otáček. Jedinými otáčkami motoru jsou RYCHLÉ otáčky.

1. Páku ovladače plynu/TransportGuard® (A, obrázek 13) posuňte do polohy VYPNUTO.
2. Vyjměte pružinu (S, obrázek 13).
3. Posuňte ovladač plynu/TransportGuard® (A, obrázek 13) do polohy RYCHLE.
4. Zkontrolujte, zda je pojistný šroub drátu (V, obrázek 13) zarovnan s otvorem na držáku. Dotáhněte šroub (V) na moment 25 lb-in (2,8 Nm).
5. Demontujte ovládací táhlo (H, obrázek 13).

POZNÁMKA: Páka ovladače plynu/TransportGuard® má nyní pouze dvě polohy: polohu ZASTAVENO/VYPNUTO a polohu JET.

6. Nainstalujte nový štítek TransportGuard® ZAPNUTO/VYPNUTO (O, obrázek 14) na stávající štítek ovládní rychlosti umístěný na krycím panelu (F).

C	5W-30
D	Syntetický 5W-30
E	Syntetický Vanguard® 15W-50

Provoz



VAROVÁNÍ

Paliva jsou hořlavá a páry jsou výbušné. Oheň či exploze mohou způsobit vážné popáleniny nebo smrt.

Pokud ucítíte plyn

- Nespouštějte motor.
- Nezapínejte elektrické spínače.
- Netelefonujte v blízkosti zařízení.
- Opusťte prostor.
- Obráťte se na hasiče.

Během provozu stroje

- Nenaklánějte motor ani zařízení tak, aby nedošlo k úniku paliva.

Při převážení zařízení

- Zajistěte, aby byla palivová nádrž PRÁZDNÁ nebo aby byl ZAVŘENÝ uzavírací palivový ventil, pokud je nainstalován.

Kontrola množství oleje

Před kontrolou nebo doplněním oleje

- Zajistěte, aby se motor nacházel ve vodorovné poloze.
- Plochu pro plnění oleje vyčistěte.
- Plnicí objem oleje, viz část **Technické údaje**.

UPOZORNĚNÍ

Tento motor byl z továrny Briggs & Stratton vyexpedován bez oleje. Je možné, že olej do motoru přidali výrobci zařízení nebo prodejci. Před prvním spuštěním motoru zkontrolujte správnou hladinu oleje. Doplňte olej podle pokynů v této příručce. Pokud spustíte motor bez oleje, může dojít k jeho neopravitelnému poškození, na které se nebude vztahovat záruka.

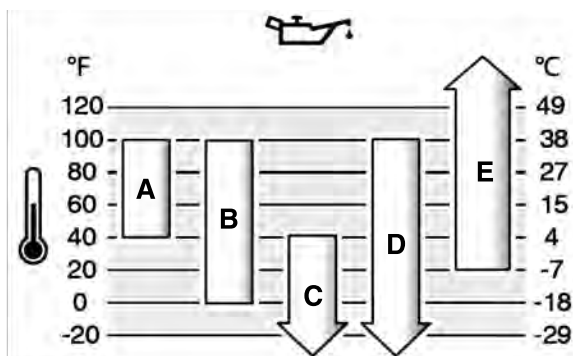
1. Vyjměte ponornou měрку (A, obrázek 15) a očistěte ji hadříkem.
2. Vraťte zpět měрку a dotáhněte ji (A, obrázek 15).
3. Měрку vyndejte a překontrolujte množství oleje. Zkontrolujte, zda hladina oleje dosahuje k horní rýse ukazatele naplnění (B, obrázek 15) na měrcce.
4. Motor má dva plnicí otvory oleje (C, G, obrázek 16). Pokud je hladina oleje nízká, nalévejte olej pomalu do plnicího otvoru (C, G). Nepřidávejte příliš mnoho oleje. Po přidání oleje vyčkejte jednu minutu a pak znovu zkontrolujte hladinu oleje. Zkontrolujte, zda je hladina oleje správná.
5. Vraťte zpět měрку a dotáhněte ji (A, obrázek 15).

Doporučení k oleji

Množství oleje: Viz část **Technické údaje**.

Pro nejlepší výkon doporučujeme použití olejů schválených pro použití s výrobky Briggs & Stratton®. Povolené jsou i jiné kvalitní oleje s čistícím aditivem za předpokladu, že jsou označené pro provoz ve třídě SF, SG, SH, SJ či vyšší. Nepoužívejte speciální aditiva.

K výběru nejlepší viskozity pro očekávanou venkovní teplotu použijte tabulku. Motory ve většině venkovních motorových strojů správně fungují se syntetickým olejem 5W-30. V zařízeních provozovaných při vysokých teplotách poskytují nejlepší ochranu syntetický olej Vanguard® 15W-50.



A	SAE 30 - Při teplotách pod 40 °F (4 °C) povede použití SAE 30 k obtížnému startování.
B	10W-30 - Při teplotách nad 80 °F (27 °C) povede použití 10W-30 k zvýšené spotřebě oleje. Hladinu oleje pravidelně kontrolujte.

System ochrany před nízkou hladinou oleje (je-li jím motor vybaven)

Na některých motorech je nainstalován senzor nízkého stavu oleje. V případě nízkého stavu oleje senzor rozsvítí výstražnou kontrolku nebo vypne motor. Vypněte motor a před dalším spuštěním proveďte následující kroky.

- Zajistěte, aby se motor nacházel ve vodorovné poloze.
- Zkontrolujte olej. Viz část **Kontrola stavu oleje**.
- Pokud se stav oleje nízký, doplňte správné množství oleje. Nastartujte motor a zkontrolujte, zda se nerozsvítí výstražná kontrolka (pokud je nainstalována).
- Pokud olej nemá nízký stav, nespouštějte motor. Požádejte autorizované servisní středisko Briggs & Stratton o odstranění problému s olejem.

Doporučení k palivu

Palivo musí splňovat následující požadavky:

- Čistý, čerstvý, bezolovnatý benzin.
- Minimálně 87 oktanů/87 AKI (91 RON). Pro použití ve vysokých nadmořských výškách, viz níže.
- Je povolen benzin s obsahem až 10 % etanolu.

UPOZORNĚNÍ

Nepoužívejte neschválené benziny, jako je například E15 nebo E85. Nepřidávejte do benzínu olej ani neupravujte motor pro provoz s alternativními palivy. Použití neschválených paliv může způsobit poškození součástí motoru, na které se nevztahuje záruka.

Na ochranu palivového systému před gumováním a korozi přimíchejte do paliva stabilizátor paliva bez alkoholu a etanol. Viz část **Skladování**. Všechna paliva nejsou stejná. Jestliže dojde k problémům se spuštěním či výkonem, změňte dodavatele či značku paliva. Schváleným palivem pro tento motor je benzin. Systém řízení emisí pro motory s karburátorem je EM (Modifikace motoru). Systémy řízení emisí pro motory s elektronickým vstřikováním paliva jsou ECM (řídící jednotka motoru), MFI (vícebodové vstřikování paliva), TBI (vstřikování paliva škrticí klapkou) a případně O2S (snímač obsahu kyslíku).

Vysoké nadmořské výšky

V nadmořských výškách nad 5 000 stop (1 524 metrů) je vyžadován benzin minimálně 85 oktanů/85 AKI (89 RON).

Motory s karburátory si pro udržení výkonu při vysoké nadmořské výšce vyžadují úpravy. Provoz bez této úpravy může snížit výkonnost, zvýšit spotřebu paliva a zvýšit vylučování emisí. Informace o seřízení pro vyšší nadmořské výšky získáte u autorizovaného prodejce značky Briggs & Stratton. Motor se seřízením pro vysoké nadmořské výšky se nedoporučuje používat při nadmořské výšce pod 2 500 stop (762 metrů).

U motorů vybavených elektronickým vstřikováním paliva (EFI) není seřízení pro velké nadmořské výšky nutné.

Přidávání paliva



VAROVÁNÍ

Palivo a jeho výpary jsou vysoce hořlavé a výbušné. Oheň či exploze mohou způsobit vážné popáleniny nebo smrt.

Při doplňování paliva

- Vypněte motor. Před sejmutím uzávěru palivové nádrže počkejte alespoň dvě (2) minuty, aby se motor ochladil.
- Palivovou nádrž doplňujte venku nebo na dobře větraném místě.
- Palivovou nádrž nepřelévejte. Aby se umožnila expanze paliva, netankujte nad spodní část hrdla nádrže.
- Palivo udržujte mimo jiskry, otevřený oheň, pilotní světla, teplo nebo jiné zdroje vzplanutí.
- Pravidelně kontrolujte, zda palivové potrubí, palivová nádrž, uzávěr palivové nádrže a spoje nejsou popraskané nebo zda nedochází k úniku. Poškozené díly vyměňte.
- Jestliže dojde k rozlítí paliva, před dalším nastartováním motoru vyčkejte, než se palivo odpaří.

1. Odstraňte z oblasti kolem uzávěru palivové nádrže nečistoty a usazeniny. Sejměte palivovou zátku.
2. Do palivové nádrže (A, obrázek 17) dolejte palivo. Neplňte nad spodní část hrdla nádrže (B), protože palivo se rozpíná.
3. Namontujte kryt palivové nádrže.

Startování motoru



VAROVÁNÍ

RIZIKO VZNIKU JEDOVATÝCH PLYNŮ. Výfukové plyny z motoru obsahují oxid uhelnatý, jedovatý plyn, který může během několika minut zabít. I když výfukové plyny necítíte, přesto můžete být oxidu uhelnatému vystaveni. Jestliže při používání tohoto zařízení začnete cítit nevolnost, závratě či slabost, **OKAMŽITĚ** ho vypněte a jděte na čerstvý vzduch. Vyhledejte lékaře. Mohlo u vás dojít k otravě oxidem uhelnatým.

- Oxid uhelnatý se může hromadit v obytných prostorech. Tento produkt používejte **VÝHRADNĚ** v dostatečné vzdálenosti od oken, dveří a větracích otvorů.
- Nainstalujte alarmy na oxid uhelnatý (na baterie či síťové se záložním napájením z baterie) v souladu s pokyny výrobce. Detektory kouře nedokáží oxid uhelnatý odhalit.
- Tento produkt **NEPOUŽÍVEJTE** uvnitř domů, garáží, sklepů, stodol či jiných částečně uzavřených prostor, i když používáte větrák či máte otevřené dveře a okna pro větrání. Po používání tohoto výrobku se oxid uhelnatý může v těchto prostorech hromadit a zdržovat několik hodin.
- Tento produkt **VŽDY** umístěte po větru a výfuk namířte směrem mimo obydlené prostory.



VAROVÁNÍ

Palivo a jeho výpary jsou vysoce hořlavé a výbušné. Oheň či exploze mohou způsobit vážné popáleniny nebo smrt.

Když startujete motor

- Zkontrolujte, zda jsou správně nainstalované svíčky, tlumič výfuku, víčko palivové nádrže a vzduchový filtr (je-li ve výbavě).
- Nestartuje motor s demontovanými svíčkami.
- Pokud je motor přesycený, přesuňte ovladač sytiče do polohy OTEVŘENO nebo CHOD. Přemístěte ovládání plynu do polohy RYCHLE (je-li k dispozici) a protáchejte motor, dokud se nenastartuje.
- Jestliže je v oblasti únik zemního plynu nebo LPG, nespouštějte motor.
- Nepoužívejte stlačené startovací kapaliny, jejich páry jsou hořlavé.



VAROVÁNÍ

Otáčivé části se mohou dostat do styku nebo zachytit ruce, nohy, vlasy, oděv či výstroj. Může dojít k těžkým tržným ranám až amputacím končetin.

- Tento stroj provozujte se správně nasazenými chrániči.
- Udržujte ruce a nohy v dostatečné vzdálenosti od rotujících součástí.
- Odložte šperky a nepřibližujte se k točivým částem s volnými dlouhými vlasy.
- Nenoste volně vlající oděv nebo věci, které mohou být zachyceny.



VAROVÁNÍ

Rychlé zatažení (zpětný ráz) lanka spouštěče přitáhne ruku a paži k motoru rychleji, než jej stačíte pustit. Hrozí nebezpečí zlomeniny, odření nebo natažení šlach.

- Při startování motoru pomalu zatáhněte za startovací kabel, až ucítíte odpor a pak rychle zatáhněte, aby se předešlo zpětnému rázu.
- Před nastartováním motoru zbavte motor veškeré vnější zátěže/zařízení.
- Přímou spřažené součásti zařízení, např. nože, oběžná kola, řemenice, ozubená kola atd., musí být bezpečně upevněny.

POZNÁMKA: Vaše zařízení může mít dálkové ovládání. Popis umístění a funkce tohoto dálkového ovládání najdete v příručce k zařízení.

1. Překontrolujte motorový olej. Viz část **Kontrola stavu oleje**.
2. Ujistěte se, že jsou deaktivovány ovládací prvky zařízení (je-li jimi motor vybaven).
3. Páku ovladače plynu/TransportGuard® (A, Obrázek 18), je-li ve výbavě, přesuňte do polohy VYPNUTO nebo ZASTAVENO. Motor používejte v poloze FAST (RYCHLE) nebo RUN (CHOD).
4. Přepněte ovladač sytiče (B, Obrázek 18) do polohy ZAVŘENO.

Při opětovném startování zahřátého motoru již obvykle není nutné použít sytič.

5. **Navíjecí startér, je-li jím motor vybaven:** Pevně uchopte rukojeť lanka startéru (C, Obrázek 18). Zatáhněte za držadlo startovacího lanka, až pocítíte odpor. Pak zatáhněte rychle.



VAROVÁNÍ

Rychlé zatažení (zpětný ráz) lanka spouštěče přitáhne ruku a paži k motoru rychleji, než jej stačíte pustit. Hrozí nebezpečí zlomeniny, odření nebo natažení šlach.

- Při startování motoru pomalu zatáhněte za startovací kabel, až ucítíte odpor a pak rychle zatáhněte, aby se předešlo zpětnému rázu.
- Před nastartováním motoru zbavte motor veškeré vnější zátěže/zařízení.
- Přímou spřažené součásti zařízení, např. nože, oběžná kola, řemenice, ozubená kola atd., musí být bezpečně upevněny.

6. **Elektrostartér je-li jím motor vybaven:** Otočte spínač elektrostartéru (D, Obrázek 18) do polohy START.

UPOZORNĚNÍ

Pro zajištění delší životnosti startéru používejte krátké startovací cykly (maximálně pět sekund). Mezi startovacími cykly čekejte jednu minutu.

7. Když se motor zahřeje, přesuňte ovladač sytiče (B, Obrázek 18) do polohy OTEVŘENO.

Pokud motor nenastartuje ani po 2 nebo 3 pokusu, kontaktujte svého místního prodejce nebo navštivte stránku vanguardpower.com nebo volejte 1-800-999-9333 (v USA).

Vypněte motor



VAROVÁNÍ

Palivo a jeho výpary jsou vysoce hořlavé a výbušné. Oheň či exploze mohou způsobit vážné popáleniny nebo smrt.

- Motor se nesmí zastavovat zahlcením karburátoru, je-li jím motor vybaven.

Ovladač plynu/TransportGuard® Páku ovladače plynu/TransportGuard® (A, obrázek 19) posuňte do polohy VYPNUTO nebo ZASTAVENO.

POZNÁMKA: Když se ovladač plynu/TransportGuard® (A, obrázek 19) nachází v poloze VYPNUTO nebo ZASTAVENO, palivový ventil se nachází v poloze VYPNUTO. Při převozu zařízení vždy přesuňte ovladač plynu/TransportGuard® do polohy VYPNUTO nebo ZASTAVENO.

POZNÁMKA: Klíč (D, obrázek 19) nezastaví motor. Klíč **POUZE** spustí motor. Vždy vyjměte klíč (D) a uložte jej na bezpečném místě mimo dosah dětí.

Údržba Informace o údržbě



VAROVÁNÍ

Palivo a jeho výpary jsou vysoce hořlavé a výbušné. Oheň či exploze mohou způsobit vážné popáleniny nebo smrt.

Pokud je při údržbě nezbytné stroj naklonit, zajistěte, aby palivová nádrž, pokud je nainstalovaná na motoru, byla prázdná a aby byla strana zapalovací svíčky nahoře. Pokud palivová nádrž není prázdná, může dojít k úniku paliva, což může vést k požáru nebo výbuchu. Pokud je motor nakloněn jiným směrem, nebude možné jej snadno nastartovat z důvodu znečištění vzduchového filtru nebo zapalovací svíčky olejem nebo palivem.



VAROVÁNÍ

Náhodná jiskra z motoru může způsobit úraz elektrickým proudem, požár nebo výbuch, zachycení, těžkou tržnou ránu nebo amputaci končetiny.

Před prováděním nastavení nebo oprav:

- Odpojte kabely zapalovacích svíček a uložte je mimo zapalovací svíčky.
- Odpojte kabel baterie od záporného pólu baterie (pouze motory s elektrostartérem).
- Používejte pouze správné nástroje.

Při kontrole jiskry:

- Používejte schválenou zkoušečku svíček.
- Nekontrolujte jiskru, když je zapalovací svíčka vyjmutá.



VAROVÁNÍ

Náhradní díly musí být stejné a namontované do stejné polohy jako původní část. Další součásti by mohly způsobit poškození nebo zranění.

UPOZORNĚNÍ

Abyste motor správně pracoval, musí všechny jeho součásti zůstat na svém místě.

Svěřte veškerý servis a údržbu motorů a jejich dílů některému z autorizovaných servisních středisek Briggs & Stratton.

Servis kontroly emisí

Údržbu, výměnu nebo opravu zařízení a systémů na kontrolu emisí může provést kterýkoli zařízení nebo jednotlivec, již se specializují na opravu motorů nepoužívaných na silnicích. Chcete-li však mít servis řízení emisí „zdarma“, musí práci provádět prodejce autorizovaný továrnou. Viz prohlášení o kontrole emisí.

Plán údržby

Prvních 5 hodin
<ul style="list-style-type: none"> Vyměňte olej.
V intervalech 8 hodin nebo denně
<ul style="list-style-type: none"> Zkontrolujte hladinu motorového oleje. Vyčistěte oblast kolem tlumiče výfuku a ovládacích prvků. Vyčistěte mřížku přívodu vzduchu.
V intervalech 100 hodin nebo jednou za rok
<ul style="list-style-type: none"> Proveďte servis výfukové soustavy. Vyměňte olej v redukční převodovce (je-li ve výbavě).
Po 200 hodinách nebo jednou za rok
<ul style="list-style-type: none"> Vyměňte motorový olej. Vyčistěte vzduchový filtr¹.
Intervaly 600 hodin nebo 3 roky
<ul style="list-style-type: none"> Vyměňte vzduchový filtr.
Jednou ročně
<ul style="list-style-type: none"> Vyměňte zapalovací svíčku. Proveďte servis palivové soustavy. Proveďte servis chladicí soustavy¹. Zkontrolujte vůli ventilů².

¹Čistěte častěji v prašném prostředí nebo při velké koncentraci částic ve vzduchu.

²Není nutné, pokud nedojde k problémům s motorem.

Karburátor a otáčky motoru

Neupravujte otáčky motoru úpravami karburátoru, pružiny regulátoru, táhel nebo jiných součástí. Pokud je nutné provést seřízení, požádejte o servis autorizované servisní středisko Briggs & Stratton.

UPOZORNĚNÍ

Výrobce zařízení, do kterého je motor osazen, uvádí maximální rychlost motoru vhodnou pro provoz daného zařízení. Nepřekračujte tuto rychlost. Pokud si nejste jisti, jaká je maximální rychlost zařízení nebo jaká rychlost motoru byla nastavena z výroby, požádejte o pomoc autorizované servisní středisko Briggs & Stratton. Aby zařízení bezpečně a správně fungovalo, měl by rychlost motoru vždy seřizovat pouze kvalifikovaný servisní technik.

Servis zapalovací svíčky

Zkontrolujte odtrh (A, obrázek 20) pomocí drátové měrky (B). Je-li to nutné, odtrh znovu nastavte. Nainstalujte zapalovací svíčku a dotáhněte ji správným momentem. Informace o odtrhu a utahovacím momentu najdete v části **Technické údaje**.

Servis výfukového a chladicího systému



VAROVÁNÍ

Během provozu se motor a výfuk zahřívají. V případě kontaktu s horkým motorem může dojít k popálení.

Hořlavý odpad, jako například listí, tráva a větve mohou chytit.

- Než se dotknete motoru nebo výfuku, vypněte motor a počkejte dvě (2) minuty. Zkontrolujte, zda se lze bezpečně dotknout motoru a výfuku.
- Odstraňte nečistoty z tlumiče a motoru.

Použití nebo provozování zařízení na jakékoli zalesněné či zatrávněné ploše bez výfukového systému vybaveného účinným lapačem jisker v souladu s definicí v části 4442 je porušením předpisů Veřejných pravidel pro Kalifornii, část 4442. Jiné státy nebo federální jurisdikce mohou mít podobné zákony; viz též Federální předpis 36 CFR část 261.52. Chcete-li zakoupit lapač jisker vhodný pro výfukový systém nainstalovaný na tomto motoru, kontaktujte výrobce původního zařízení, prodejce nebo dodavatele.

Tento motor je chlazený vzduchem. Špína nebo nežádoucí materiál mohou omezovat proudění vzduchu a způsobit přehřátí motoru. To vede ke špatnému výkonu a snížení životnosti motoru. Nežádoucí materiál se může nahromadit v chladicích žebrech válce a nedají se odstranit bez částečného rozmontování motoru. Nechte systém chlazení vzduchem zkontrolovat a vyčistit autorizovaným servisním střediskem společnosti Briggs & Stratton. Viz část **Plán údržby**.

- Ujistěte se, že okolo a za tlumičem výfuku nejsou žádné hořlavé materiály.
- Pomocí kartáče nebo suchého hadříku odstraňte veškerý nežádoucí materiál z krytu skříně ventilátoru, tlumiče výfuku a válce. K čištění motoru NEPOUŽÍVEJTE vodu.
- Zkontrolujte, zda jsou lanka, pružiny a ovládací prvky čisté.
- Zkontrolujte, zda tlumič výfuku nevykazuje praskliny, korozi nebo jiné opotřebení.
- Sejměte deflektor nebo lapač jisker, je-li nainstalován, a zkontrolujte, zda není poškozen nebo zanesen uhlíkovými usazeninami. Před dalším spuštěním stroje nezapomeňte vyčistit nebo nainstalovat náhradní díly.
- V případě instalace udržujte žebra chladiče oleje v čistotě.

Vyměňte motorový olej



VAROVÁNÍ

Palivo a jeho výpary jsou vysoce hořlavé a výbušné. Oheň či exploze mohou způsobit vážné popáleniny nebo smrt.

Během provozu se motor a výfuk zahřívají. V případě kontaktu s horkým motorem může dojít k popálení.

- Jestliže vypouštíte olej z horní plnicí trubice, nádrž musí být prázdná. V opačném případě může dojít k úniku paliva, což může vést k požáru nebo výbuchu.
- Než se dotknete motoru nebo výfuku, vypněte motor a počkejte dvě (2) minuty. Zkontrolujte, zda se lze bezpečně dotknout motoru a výfuku.

Použitý olej je nebezpečný odpad a musí být správně zlikvidován. Použitý olej nepatří do domovního odpadu. Informace o zařízeních pro bezpečnou likvidaci nebo recyklaci vám poskytnou místní úřady, servisní středisko nebo prodejce.

U modelů **Just Check & Add™** není vyžadována výměna oleje. Je-li nutno provést výměnu oleje, použijte následující postup.

Vypouštění oleje

- Dokud je motor po vypnutí ještě teplý, odpojte kabely od zapalovací svíček (D, Obrázek 21) a uložte jej dále od zapalovací svíčky (svíček) (E).
- Vyjměte měrku (A, Obrázek 22).
- Motor má dva otvory pro vypouštění oleje (H, F, Obrázek 23). Demontujte vypouštěcí zátky oleje (H, F). Olej vyprázdněte do schválené nádoby.
- Namontujte a dotáhněte vypouštěcí zátku oleje (H, F, Obrázek 23).

Doplnění oleje

- Zajistěte, aby se motor nacházel ve vodorovné poloze.
- Očistěte nečistoty z okolí otvoru pro plnění oleje.
- Množství oleje viz část **Technické údaje**.

- Vyndejte měrku. Viz část **Vypouštění oleje**.
- Pomalou nalévejte olej do jednoho z plnicích otvorů (C, G, Obrázek 24). Nepřidávejte příliš mnoho oleje.
- Počkejte jednu minutu a pak zkontrolujte hladinu oleje.
- Vraťte měrku zpět.
- Měrku vyndejte a překontrolujte množství oleje. Správná hladina oleje má dosahovat k horní rýsce hladiny na měrce. Viz část **Kontrola stavu oleje**.

- Vraťte zpět ponornou měрку a dotáhněte ji.
- Připojte kabely zapalovací svíčky k zapalovacím svíčkám. Viz část **Vypuštění oleje**.

Výměna oleje v redukčním převodu

Některé motory jsou vybaveny redukčním převodem. V takovém případě postupujte podle pokynů pro jeden z následujících redukčních převodů.

Redukční jednotka řetězu 2:1

Pokud je motor vybaven řetězovým redukčním převodem 2:1 (G, obrázek 25), olej není nutné měnit. Olej v motoru rovněž promazává redukční jednotku řetězu.

Redukční jednotka s mokrou spojkou 2:1

Pokud je motor vybaven redukčním převodovkou 2:1 s mokrou spojkou, postupujte podle následujících kroků:

- Vyjměte měрку (A, obrázek 26).
- Vyjměte zátku pro vypouštění oleje (B, obrázek 26). Vypustěte olej do vhodné nádoby.
- Nasadte a dotáhněte vypouštěcí zátku oleje (B, obrázek 26).
- Pomalou nalévejte olej do plnicího otvoru (C, obrázek 26). Viz část **Technické údaje**.
- Nainstalujte měрку zpět (A, obrázek 26).
- Měřku znovu vyjměte (A, obrázek 26) a zkontrolujte množství oleje. Správná hladina oleje má dosahovat k horní rýsce hladiny (D) na měrcce.
- Nainstalujte měрку zpět (A, obrázek 26).

Jednotka redukčního převodu 6:1

Pokud je motor vybaven redukčním převodem 6:1, postupujte podle následujících kroků:

- Vyjměte zátku otvoru pro plnění oleje (A, obrázek 27) a zátku pro kontrolu hladiny oleje (B).
- Vyjměte zátku pro vypouštění oleje (C, obrázek 27). Vypustěte olej do vhodné nádoby.
- Nainstalujte a utáhněte zátku pro vypouštění oleje (C, obrázek 27).
- Pomalou doplňte olej redukčního převodu (80W-90) do otvoru pro doplňování oleje (D, obrázek 27). Pokračujte v doplňování oleje redukčního převodu (80W-90), dokud olej nezačne vytékat z otvoru pro kontrolu hladiny oleje (E).
- Nasadte a dotáhněte zátku do otvoru pro kontrolu hladiny oleje (B, obrázek 27).
- Nasadte a dotáhněte zátku plnicího otvoru (A, obrázek 27).

POZNÁMKA: Zátka plnicího otvoru (A, obrázek 27) má větrací otvor (F) a musí být nasazena na horní stranu kryt převodové skříně podle obrázku.

Servis vzduchového filtru

VAROVÁNÍ

Paliva jsou hořlavá a páry jsou výbušné. Oheň či exploze mohou způsobit vážné popáleniny nebo smrt.

- Motor nikdy nespustíte ani nenecháte běžet s vyjmutou sestavou čističe vzduchu nebo s vyndaným vzduchovým filtrem (pokud je jimi motor vybaven).

UPOZORNĚNÍ

K čištění filtru nepoužívejte stlačený vzduch či ředidla. Stlačený vzduch může poškodit filtr a ředidla ho mohou rozpustit.

Informace o servisních požadavcích najdete v **Plánu údržby**.

Různé modely jsou vybaveny pěnovým nebo papírovým filtrem oleje. Některé modely jsou také vybaveny předfiltrem, který je možné vyčistit a opětovně použít. Porovnejte ilustrace v této příručce s typem filtru, který je nainstalován ve vašem motoru a proveďte servis dle následujících informací.

Papírový vzduchový filtr

- Otevřete západku (západky) (C, obrázek 28).
- Sejměte kryt (A, obrázek 28) a filtr (B).
- Aby se nečistoty uvolnily, opatrně oklepejte filtr (B, obrázek 28) o tvrdý povrch. Jestliže je filtr nadměrně znečištěný, vyměňte ho za nový.
- Nainstalujte filtr (B, obrázek 28).
- Nainstalujte kryt (A, obrázek 28) a zajistěte ho západkou(-ami) (C). Ujistěte se, že je západka(y) dobře zavřena.

Papírový vzduchový filtr - nízký profil

- Přesunutím západky (A, obrázek 29) odjistěte kryt (C).
- Stiskněte výstupky (B, obrázek 29) a sejměte kryt (C).

- Vyjměte filtr (D, obrázek 29).
- Opatrně oklepejte filtr (D, obrázek 29) o tvrdý povrch, aby se uvolnily nečistoty. Jestliže je filtr nadměrně znečištěný, vyměňte ho za nový.
- Nainstalujte filtr (D, obrázek 29).
- Namontujte kryt (C, obrázek 29). Přemístěte západku (A) do zajištěné polohy.

POZNÁMKA: Zkontrolujte uložení pěnového těsnění (E, obrázek 29). Ujistěte se, že pěnové těsnění je po obvodu správně usazeno v drážce (F).

Servis palivové soustavy

VAROVÁNÍ

Palivo a jeho výpary jsou vysoce hořlavé a výbušné. Oheň či exploze mohou způsobit vážné popáleniny nebo smrt.

- Palivo udržujte mimo jiskry, otevřený oheň, pilotní světla, teplo nebo jiné zdroje vzplanutí.
- Pravidelně kontrolujte, zda palivové potrubí, palivová nádrž, uzávěr palivové nádrže a spoje nejsou popraskané nebo zda nedochází k úniku. Poškozené díly vyměňte.
- Jestliže dojde k rozliti paliva, před dalším nastartováním motoru vyčkejte, než se palivo odpaří.

Palivové sítko, je-li nainstalováno

- Sejměte zátku palivové nádrže (A, obrázek 30).
- Odstraňte palivové sítko (B, obrázek 30).
- Je-li palivové sítko znečištěné, vyčistěte je nebo je vyměňte. Při výměně palivového sítka používejte vždy originální náhradní palivové sítko.

Skladování Palivový systém

Viz obrázek: 31.

VAROVÁNÍ

Palivo a jeho výpary jsou vysoce hořlavé a výbušné. Oheň či exploze mohou způsobit vážné popáleniny nebo smrt.

Skladování paliva

- Skladujte mimo dosah pecí, kamen, ohřivačů vody či jiných zařízení, která mají věčný plamínek, a mimo dosah jiných zdrojů zapálení, neboť by mohlo dojít ke vznícení výparů paliva.

Motor uchovávejte rovně (normální provozní poloha). Naplňte palivovou nádrž (A, obrázek 31) palivem. Nádrž nepřepĺňujte nad hrdlo, aby se palivo mohlo rozpínat (B).

Když je palivo ponecháno ve skladovací nádobě déle než 30 dní, může začít stárnout. V nádobě pro uchovávání paliva doporučujeme používat stabilizátor paliva bez obsahu alkoholu a etanolový přípravek, které brání degradaci paliva a udržují jej v čerstvém stavu.

Když plníte nádobu palivem, přidejte stabilizátor paliva bez obsahu alkoholu, který je uveden v pokynech výrobce. Jestliže nebyl do paliva v motoru stabilizátor přidán, palivo je třeba vypustit do schválené nádoby. Nechte motor běžet, dokud nedojde palivo.

Motorový olej

Motorový olej vyměňte, zatímco je motor stále teplý. Viz část **Výměna motorového oleje**.

Řešení problémů

Pomoc

Pokud potřebujete pomoc, kontaktujte svého místního prodejce, navštivte stránku **BRIGGSandSTRATTON.COM** nebo zavolejte na **1-800-444-7774** (v USA).

Specifikace a servisní díly

Technické údaje	Model: 10V000	Model: 12V000
Zdvihový objem	10.313 ci (169 cc)	12.387 ci (203 cc)
Vrtání	2.44 palce (62 mm)	2.677 palce (68 mm)
Zdvih	2.204 palce (56 mm)	2.204 palce (56 mm)
Objem oleje	18 - 20 oz (.54 - .59 l)	18 - 20 oz (.54 - .59 l)
Redukční převodovka s mokrou spojkou 2:1 – typ oleje	10W-30	10W-30

Technické údaje	Model: 10V000	Model: 12V000
Redukční převodovka s mokrou spojkou 2:1 – objem oleje	10 oz (.30 l)	10 oz (.30 l)
Redukční převodovka 6:1 – typ oleje	80W-90	80W-90
Redukční převodovka 6:1 – objem oleje	4 oz (12 l)	4 oz (12 l)
Vzduchová mezera zapalovací svíčky	.030 palce (.76 mm)	.030 palce (.76 mm)
Dotahovací moment zapalovací svíčky	180 lb-palců (20 Nm)	180 lb-palců (20 Nm)
Vzduchová mezera zapalovací cívky	.010 - .013 palce (.25 - .35 mm)	.010 - .013 palce (.25 - .35 mm)
Vůle sacího ventilu	.004 - .006 palce (.10 - .15 mm)	.004 - .006 palce (.10 - .15 mm)
Vůle výfukového ventilu	.005 - .007 palce (.15 - .20 mm)	.005 - .007 palce (.15 - .20 mm)

Technické údaje	Model: 25V000
Zdvihový objem	24.898 ci (408 cc)
Vrtání	3.465 palce (88 mm)
Zdvih	2.638 palce (67 mm)
Šroub upevňovacího držáku lanka	30 lb-palců (3,4 Nm)
Pojistný šroub drátu	25 lb-palců (2,8 Nm)
Objem oleje	18 - 20 oz (.54 - .59 l)
Vzduchová mezera zapalovací svíčky	.030 palce (.76 mm)
Dotahovací moment zapalovací svíčky	180 lb-palců (20 Nm)
Vzduchová mezera zapalovací cívky	.010 - .013 palce (.25 - .35 mm)
Vůle sacího ventilu	.004 - .006 palce (.10 - .15 mm)
Vůle výfukového ventilu	.005 - .007 palce (.15 - .20 mm)

Výkon motoru klesá o 3,5 % na každých 300 metrů (1 000 stop) nadmořské výšky a o 1 % na každých 5,6 °C (10 °F) nad 25 °C (77 °F). Motor pracuje normálně při náklonu do 30°. Maximální dovolené provozní limity pro svahy najdete v návodu k obsluze zařízení.

Náhradní součásti

Chcete-li zakoupit servisní díly Briggs & Stratton, vyhledejte autorizované servisní středisko na BRIGGSandSTRATTON.COM. Je zapotřebí vaše identifikační číslo (model – typ – označení). Pokyny pro zjištění identifikačního čísla vašeho motoru najdete v části **Funkce a ovládací prvky**.

Jmenovitý výkon

Celkový jmenovitý výkon jednotlivých modelů s benzínovými motory je označen v souladu s kódem J1940 SAE (Society of Automotive Engineers) pro hodnocení výkonu a točivého momentu malých motorů a hodnocení je v souladu s normou SAE J1995. Hodnoty točivého momentu jsou získány z hodnot při 2 600 otáčkách motoru za minutu pro otáčky uvedené na štítku a 3 060 za minutu pro všechny ostatní, hodnoty výkonu jsou získány při 3 600 otáčkách za minutu. Hrubé výkonové křivky naleznete na stránce www.BRIGGSandSTRATTON.COM. Hodnoty čistého výkonu jsou získány s namontovaným výfukem a čistěním vzduchu, zatímco hrubé hodnoty jsou bez těchto přídatných zařízení. Skutečný hrubý výkon motoru bude vyšší než čistý výkon motoru, mimo jiné na něj budou mít vliv okolní provozní podmínky a drobné rozdíly mezi jednotlivými motory. S ohledem na širokou řadu produktů, ve kterých jsou motory používány, nemusí benzínové motory dosáhnout stanovený hrubý výkon, když jsou používány jako součást zařízení. Tento rozdíl je výsledkem celé řady faktorů, mimo jiné včetně dalších komponent motoru (čistič vzduchu, výfuk, nabíjení, chlazení, karburátor, palivové čerpadlo atd.), omezení použití, okolních provozních podmínek (teplota, vlhkost, nadmořská výška) a rozdílů mezi jednotlivými motory. Vzhledem k omezením výroby a kapacity může společnost Briggs & Stratton motor nahradit silnějším motorem stejné série.

Záruka

Záruka na motor Briggs & Stratton®

Platné od srpna 2022

Omezená záruka

Společnost Briggs & Stratton zaručuje, že během níže uvedené záruční doby bezplatně opraví nebo vymění nový, repasovaný nebo znovu vyrobený díl, a to na základě výhradního uvážení společnosti Briggs & Stratton jakoukoli vadnou součást se závadou na materiálu nebo zpracování nebo oboje. Za přepravní

náklady spojené s přepravou výrobku k opravě či náhradě při uplatnění záruky je odpovědný zákazník. Tato záruka je platná pro stanovená časová období a podléhá níže uvedeným podmínkám. Pro záruční servis se obraťte na nejbližší autorizované servisní středisko, které je uvedeno na mapě prodejců na adrese BRIGGSandSTRATTON.COM. Zákazník musí kontaktovat autorizovaného servisního dealera a pak mu produkt zpřístupnit pro inspekci a testy.

Neexistují jiné výslovné záruky. Implikované záruky, včetně těch týkajících se prodejnosti a vhodnosti pro určitý účel, jsou omezeny na jeden rok od zakoupení či v rozsahu povoleném zákonem. Všechny ostatní implikované záruky jsou vyloučeny. Zodpovědnost za vedlejší či následné škody je vyloučena v rozsahu povoleném zákony. Některé státy nepovolují omezení na délce trvání implikovaných záruk a některé státy nepovolují vyjmutí či omezení náhodných škod, takže výše uvedená vyjmutí a omezení se na vás nemusí vztahovat. Tato záruka vám poskytuje specifická práva, nicméně můžete mít i jiná práva, která se mohou v jednotlivých státech a zemích lišit.

Standardní záruční podmínky^{1, 2}

Vanguard®; Řada pro komerční účely

Spotřebitelské používání – 36 měsíců

Komerční používání – 36 měsíců

Řada XR

Spotřebitelské používání – 24 měsíců

Komerční používání – 24 měsíců

Všechny ostatní motory vybavené litinovou vložkou válce Dura-Bore™

Spotřebitelské používání – 24 měsíců

Komerční používání – 12 měsíců

Všechny ostatní motory

Spotřebitelské používání – 24 měsíců

Komerční používání – 3 měsíce

¹ Toto jsou naše standardní záruční podmínky, ale v některých případech může existovat další záruční krytí, které nebylo v době vydání tohoto dokumentu stanoveno. Informace o aktuálních záručních podmínkách pro váš motor získáte na webu BRIGGSandSTRATTON.com nebo kontaktováním autorizovaného servisního střediska Briggs & Stratton.

² Není poskytována žádná záruka na motory zařízení používaných jako primární pohon místo užitkového zařízení, v záložních generátorech používaných ke komerčním účelům, v užitkových vozidlech přesahujících 25 mil/hod. ani na motory používané pro závodění nebo na komerčních či pronajímaných tratičích.

* V Austrálii – Naše zboží je dodáváno se zárukami, které nelze vyloučit podle australských zákonů pro styk se zákazníky. Máte nárok na výměnu či vrácení peněz za větší selhání a kompenzaci za jakékoli jiné přiměřené předvídatelné ztráty či škody. Máte také nárok na opravu či výměnu zboží, jestliže nedosahuje přijatelné kvality a selhání nepředstavuje rozhodující selhání. Potřebujete-li záruční servis, vyhledejte naše nejbližší autorizované servisní středisko, které zjistíte na mapě na webové stránce BRIGGSandSTRATTON.COM nebo telefonicky na čísle 1300 274 447, případně zasláním e-mailu na adresu salesenquiries@briggsandstratton.com.au, Briggs & Stratton Australia Pty Ltd, 1 Moorebank Avenue, Moorebank, NSW, Austrálie, 2170.

Záruční lhůta začíná v den zakoupení prvním soukromým nebo komerčním konečným uživatelem a pokračuje po dobu uvedenou výše v tabulce. „Spotřebitelským používáním“ se rozumí osobní používání maloobchodním spotřebitelem v domácnosti. „Komerčním použitím“ se rozumí všechny ostatní druhy použití, a to včetně použití komerčního, výdělečného a v půjčovnách. Jakmile byl jednou motor použit pro komerční účely, musí být pro účely této záruky nadále považován za motor pro komerční použití.

Pro obdržení záruky na výrobky Briggs & Stratton není nutná registrace záruky. Uchovejte si váš pokladní doklad. Jestliže při vyžádání záruky neposkytnete doklad s datem zakoupení, bude pro určení záruční lhůty produktu použito datum výroby.

O vaší záruce

Tato omezená záruka se vztahuje pouze na materiál a/nebo zpracování související s motorem, a nikoliv na výměnu nebo proplacení zařízení, na kterém může být motor namontován. Na běžnou údržbu, tuning, seřizování nebo normální opotřebení se tato záruka nevztahuje. Stejně tak se záruka nevztahuje na motor, který byl pozměněn nebo upraven ani na motor, jehož sériové číslo bylo znečištěno nebo odstraněno. Tato záruka se nevztahuje na poškození motoru ani na problémy s výkonem způsobené:

1. Použitím jiných než Briggs & Stratton
2. Provozováním motoru s kontaminovaným mazacím olejem, s nesprávným typem oleje nebo s jeho nedostatečnou hladinou;
3. Použitím znečištěného nebo starého paliva, benzínu smíchaného s více než 10 % etanolu nebo použitím alternativních paliv, jako je zkapaňný nebo zemní plyn u motoru, které nebyly společností Briggs & Stratton zkonstruovány/vyrobeny pro použití těchto paliv;

4. Nečistotou, která se dostala do motoru v důsledku nesprávné údržby nebo zpětné montáže vzduchového filtru;
5. Úderem nože rotační sekačky na trávu do nějakého předmětu, uvolněními nebo nesprávně namontovanými nožovými adaptéry, oběžnými koly nebo jinými prvky spojenými s klikovým hřídelem nebo nadměrným napnutím klínového řemene;
6. Souvisejícími součástmi nebo sestavami, například spojkami, převody, ovládacími zařízeními apod., které nebyly dodány společností Briggs & Stratton;
7. Přehřátím vyvolaným kusy trávy, nečistotami, úlomky nebo hnízdy hlodavců ucpávajícími chladicí žebra nebo prostor setrvačnicku nebo provozováním motoru bez dostatečné ventilace;
8. Nadměrnými vibracemi vyvolanými přílišnými otáčkami, uvolněným závěsem motoru, uvolněními nebo nevyváženými noži či oběžnými koly nebo nesprávnou montáží součástí zařízení na klikový hřídel;
9. Nesprávným používáním, nedostatečnou běžnou údržbou, přepravou, manipulací nebo skladováním zařízení nebo nesprávnou montáží motoru.

Záruční služby zajišťují pouze autorizovaní zástupci společnosti Briggs & Stratton. Nejbližší autorizované servisní středisko najdete na naší mapě na webové stránce BRIGGSandSTRATTON.COM nebo telefonicky na čísle 1-800-444-7774 (v USA).

80114782 (revize A)

Not for
Reproduction

Üldteave



See juhend sisaldab ohutusteavet mootoriga seotud ohtude ja riskide ning nende vältimise kohta. Lisaks sisaldab see juhiseid mootori õige kasutuse ja hoolduse kohta. On äärmiselt oluline need juhised läbi lugeda, endale selgeks teha ja neid järgida. **Hoidke käesolev juhend edaspidiseks kasutamiseks alles.**

MÄRKUS. Käesolevas juhendis olevad joonised ja illustratsioonid on üksnes illustratiivsed ja võivad teie konkreetsest mudelist erineda. Kasutage jooniseid, mis vastavad teie mootori konfiguratsioonile. Vajadusel pidage nõu volitatud hoolduskeskusega.

Kirjutage üles ostukuupäev, mootori mudel, tüüp, versioon ja seerianumber, sest neid läheb tarvis varuosade tellimisel. Need numbrid asuvad mootoril. Vt jaotist **Funktsioonid ja juhtseadised.**

Ostukuupäev	
Mootori mudel - tüüp - varustusklass	
Mootori seerianumber	

Euroopa kontori kontaktteave

Kui teil on küsimusi Euroopa heitkoguste kohta, võtke ühendust meie Euroopa bürooga aadressil:

Max-Born-Straße 2, 68519 Viernheim, Saksamaa.

Euroopa Liidu (EL) V (5.) etapp: Süsinikdioksiidi (CO₂) väärtused

Sisestage saidil BriggsandStratton.com otsinguväljale „CO₂“, et leida Briggs & Strattoni ELi tüübikinnitustunnistusega mootorite süsinikdioksiidi heite väärtused.

Operaatori ohutus

Hoiatusmärk ja märgusõnad



Hoiatussümbol tähistab ohutusteavet nende ohtude kohta, mis võivad põhjustada kehavigastusi. Märgusõna (OHT, HOIATUS või ETTEVAATUST) kasutatakse selleks, et viidata tervisekahjustuse tõenäosusele ning potentsiaalsele raskusele. Lisaks võib ohu tüübi tähistamiseks kasutada ka ohusümboleid.

OHTLIK viitab olukorrale, mis juhul, kui seda ei väldita, võib põhjustada raske vigastuse või surma.

HOIATUS viitab olukorrale, mis juhul, kui seda ei väldita, võib põhjustada raske vigastuse või surma.

ETTEVAATUST tähistab ohtu, mis juhul, kui seda ei väldita, võib kaasa tuua kerge või keskmise kehavigastuse.

MÄRKUS tähistab teavet, mis on oluline, kuid pole seotud ohuga.

Ohu sümboolid ja tähendused

	Ohutusteave olukordade kohta, mis võivad tekitada kehavigastusi.		Lugege kasutusjuhend enne masina käsitsemist või hooldamist tähelepanelikult läbi ja tehke see endale selgeks.
	Tuleoht		Plahvatusoht
	Elektrilöögi oht		Mürgise suitsu oht
	Kuuma pinna oht		Tagasilöögi oht

	Jäsemekaotuse oht – liikuvad osad		Kütusetase – maksimaalne Vältige ületäitmist
--	-----------------------------------	--	--

Ohutusteated



HOIATUS

Briggs & Stratton®-i mootorid ei ole mõeldud kasutamiseks järgmistel kasutusvaldkondadel: kardid; lastekardid; lastesõidukid, vaba aja või sportliikud maastikusõidukid (ATV-d); mootorrattad; hõljukid; õhusõidukid; või sõidukid, mida kasutatakse võistlustel, milleks Briggs & Stratton ei ole luba andnud. Võidusõidutoodete kohta leiate teavet aadressilt www.briggsracing.com. Tarbesõidukitel ja mitmekohalistel ATV-del kasutamiseks pidage nõu Briggs & Strattoni võimsuslahenduste keskusega, tel 1 866 927 3349. Mootori väärkasutus võib põhjustada rasket tervisekahjustust või surma.

Ringlussevõtmise teave



Viige kõik kastid, karbid, vana õli ja akud kooskõlas kohalike õigusaktidega ringlussevõtupunkti.

Funktsioonid ja juhtseadised

Mootori juhtimisseadmed

Võrrele joonistel 1, 2 ja 3 tähtedega märgitud osi järgmises nimekirjas toodud mootori juhtseadistega:

- Mootori identifitseerimisnumbrid **Mudel - tüüp - kood**
- Süüteküünal
- Kütusepaak ja kork
- Õhufilter
- Starteritrossi käepide
- Õlivarras
- Õlitäiteava
- Õli väljalaskeava kork
- Summuti, summutikaitse (kui see on masina varustuses), sädemepüüdur (kui see on masina varustuses)
- Seguklapi hoob / kütusekraan / TransportGuard™
- Õhuklapi hoob
- Õhuvõtuvõre
- Elektrilise käivituse lüliti (kui on masina varustuses)
- Reduktor (kui on masina varustuses)

Mõnel mootoril ja seadmel on kaugjuhtimispuhuti. Kaugjuhtimispuhuti asukohta ja kasutamist vt seadme kasutusjuhendist.

Mootori juhtseadiste sümboolid ja nende tähendused

	Mootori kiirus – KIIRE		Mootori kiirus – AEGLANE
	Mootori kiirus – SEISKAMINE		SEES – VÄLJAS
	Mootori käivitamine Õhuklapp SULETUD		Mootori käivitamine Õhuklapp AVATUD
	Kütusepaagi kork Kütusekraan AVATUD		Kütusekraan SULETUD

Kokkupanek

Seguklapi hoova ümberseadistamine

Standardmootoril on manuaalne seguklapi hoob. Manuaalse seguklapi opereerimiseks paigaldage seguklapi kaugjuhitav hoob või viige läbi ümberseadistamine fikseeritud pöörlemissagedusele. Vt järgnevat juhiseid.

MÄRKUS. Mootori kiirus peab vastama seadme tootja antud tehnilistele andmetele. Abi saamiseks pöörduge Briggsi & Strattoni volitatud edasimüüja poole.

Manuaalne seguklapi juhthoob

1. Seadke seguklapi hoob / TransportGuard®-i hoob (A, joonis 4) asendisse VÄLJAS.
2. Eemaldage vedru (S, joonis 4).

Seguklapi hoova kaugjuhtimine trossiga

Põimitud trossiga kaugjuhitava seguklapi hoova saab paigaldada ühte suunda kahest: **silindripea suunas** või **ettesuunas**.

Silindripea suunas

1. Seadke seguklapi/TransportGuard®-i hoob (A, jn 5) asendisse VÄLJAS.
2. Kasutage 10 mm võtit, et lõdvendada ½ pöörde võrra mutrit (P, joonis 5) seguklapi hooval / TransportGuard®-i hooval (A).
3. Hoidke trossi kinnitusmutrit (J, joonis 6) 10 mm võtmega paigal ja keerake kruvi (K) lahti.
4. Paigaldage tross (L, joonis 6) läbi trossi kinnitusmutri (J) ava ja keerake kinni kruvi (K). Veenduge, et tross (L) ei ulatu avast väljapoole rohkem kui ½ in (12,7 mm).
5. Lõdvendage kruvi (I, joonis 6). Asetage trossi kõri (N) kindlalt trossi klambri (M) alla ja keerake kinni kruvi (I).
6. Kontrollige seguklapi kaugjuhtimishoova talitlust. Viige seguklapi kaugjuhtimishoob 2–3 korda aeglasest asendist kiirese. Veenduge, et seguklapi kaugjuhtimishoob ja tross (L, joonis 6) liiguvad vabalt. Reguleerige mutter (P, joonis 7) valitud asendile sobivaks.

Ettesuunas

1. Reguleerige seguklapi hooba / TransportGuard™-i hooba:
 - a. **Mootorid 10V000 ja 12V000:** Seadke seguklapi hoob / TransportGuard™-i hoob (A, joonis 8) asendisse KIIRE.
 - b. **Mootor 25V000:** seadke seguklapi hoob / TransportGuard®-i hoob (A, joonis 8) asendisse VÄLJAS.
2. Kasutage 10 mm võtit, et lõdvendada ½ pöörde võrra mutrit (P, joonis 7) seguklapi hooval / TransportGuard®-i hooval (A).
3. Hoidke trossi kinnitusmutrit (J, joonis 8) 10 mm võtmega paigal ja keerake kruvi lahti.
4. Paigaldage tross (L, joonis 8) läbi trossi kinnitusmutri (J) ava ja keerake kinni kruvi (K). Veenduge, et tross (L) ei ulatu avast väljapoole rohkem kui ½ in (12,7 mm).
5. Lõdvendage kruvi (I, joonis 8). Asetage trossi kõri (N) kindlalt klambri (M) alla ja keerake kinni kruvi (I).
6. Kontrollige seguklapi kaugjuhtimishoova talitlust. Viige seguklapi kaugjuhtimishoob 2–3 korda aeglasest asendist kiirese. Veenduge, et seguklapi kaugjuhtimishoob ja tross (L, 8) liiguvad vabalt. Reguleerige mutter (P, joonis 7) valitud asendile sobivaks.

Seguklapi hoova kaugjuhtimine traadiga

Täistraat-trossiga seguklapi kaugjuhtimishoova saab paigaldada ühte neljast suunast: **silindripea suunas**, **ettesuunas**, **vasakule** või **paremale**.

Silindripea suunas

1. Seadke seguklapi hoob / TransportGuard®-i hoob (A, joonis 9) asendisse VÄLJAS.
2. Eemaldage vedru (S, joonis 9).
3. Seadke seguklapi hoob / TransportGuard®-i hoob (A, joonis 9) asendisse KIIRE.
4. Kasutage 10 mm võtit, et lõdvendada ½ pöörde võrra mutrit (P, joonis 4) seguklapi hooval / TransportGuard®-i hooval (A).
5. Paigaldage täistraat-trossi Z-hoidik (Q, joonis 9) ühte väiksesse auku nookuril (R).
6. Lõdvendage kruvi (I, joonis 9). Asetage trossi kõri (N) kindlalt trossi klambri (M) alla ja keerake kinni kruvi (I).
7. Kontrollige seguklapi kaugjuhtimishoova talitlust. Viige seguklapi kaugjuhtimishoob 2–3 korda aeglasest asendist kiirese. Veenduge, et seguklapi kaugjuhtimishoob ja tross (L, joonis 9) liiguvad vabalt. Reguleerige mutter (P, joonis 4) valitud asendile sobivaks.

Ettesuunas

1. Seadke seguklapi hoob / TransportGuard®-i hoob (A, joonis 10) asendisse VÄLJAS.

2. Eemaldage vedru (S, joonis 10).
3. Seadke seguklapi hoob / TransportGuard®-i hoob (A, joonis 10) asendisse KIIRE.
4. Kasutage 10 mm võtit, et lõdvendada ½ pöörde võrra mutrit (P, joonis 4) seguklapi hooval / TransportGuard®-i hooval (A).
5. Paigaldage täistraat-trossi Z-hoidik (Q, joonis 10) ühte auku kahest väiksest august nookuril (R).
6. Lõdvendage kruvi (I, joonis 10). Asetage trossi kõri (N) kindlalt klambri (M) alla ja keerake kinni kruvi (I).
7. Kontrollige seguklapi kaugjuhtimishoova talitlust. Viige seguklapi kaugjuhtimishoob 2–3 korda aeglasest asendist kiirese. Veenduge, et seguklapi kaugjuhtimishoob ja tross (L, joonis 10) liiguvad vabalt. Reguleerige mutter (P, joonis 4) valitud asendile sobivaks.

Vasakus suunas

1. Seadke seguklapi hoob / TransportGuard®-i hoob (A, joonis 11) asendisse VÄLJAS.
2. Eemaldage vedru (S, joonis 4).
3. Seadke seguklapi hoob / TransportGuard®-i hoob (A, joonis 11) asendisse KIIRE.
4. Kasutage 10 mm võtit, et mutrit ½ pöörde võrra (P, jn 4) seguklapi/TransportGuard®-i hooval (A, jn) lõdvendada 11.
5. Eemaldage seguklapi hoova nupp (W, joonis 11), mille all on väike ava (S).
6. Paigaldage täistraat-trossi Z-hoidik (L, joonis 11) väiksesse auku (S) seguklapi hooval (A).
7. Lõdvendage kruvi (I, joonis 11). Asetage trossi kõri (N) kindlalt klambri (M) alla ja keerake kinni kruvi (I).
8. Kontrollige seguklapi kaugjuhtimishoova talitlust. Viige seguklapi kaugjuhtimishoob 2–3 korda aeglasest asendist kiirese. Veenduge, et seguklapi kaugjuhtimishoob ja tross (L, joonis 11) liiguvad vabalt. Reguleerige mutter (P, joonis 4) valitud asendile sobivaks.

Paremas suunas

Kaugjuhitava seguklapi hoova ümberseadistamiseks paremalt küljelt on vajalik trossi kronstein (U, joonis 12). Tootekoodi vt jaotisest **Tehnilised andmed ja varuosad**. Traadikanduri ostmiseks võtke ühendust Briggs & Strattoni varuosade ametliku edasimüüjaga.

1. Seadke seguklapi hoob / TransportGuard®-i hoob (A, joonis 12) asendisse VÄLJAS.
2. Eemaldage vedru (S, joonis 4).
3. Eemaldage seguklapi hoova nupp (W, joonis 12), mille all on väike ava (S).
4. Seadke seguklapi hoob / TransportGuard®-i hoob (A, joonis 12) asendisse KIIRE.
5. Kasutage 10 mm võtit, et lõdvendada ½ pöörde võrra mutrit (P, joonis 4) seguklapi hooval / TransportGuard®-i hooval (A, 12).
6. Paigaldage täistraat-trossi Z-hoidik (L, joonis 12) väiksesse auku (S) seguklapi hooval (A).
7. Eemaldage polt (T, joonis 12). Paigaldage trossi kronstein (U), nagu näidatud illustratsioonil. Kinnitage trossi kronstein (U) poldiga (T). Pingutage polt (T) momendiga 30 lb-in (3,4 Nm). Vt jaotist **Tehnilised andmed ja varuosad**.
8. Lõdvendage kruvi (I, joonis 12). Asetage trossi kõri (N) kindlalt klambri (M) alla ja keerake kinni kruvi (I).
9. Kontrollige seguklapi kaugjuhtimishoova talitlust. Viige seguklapi kaugjuhtimishoob 2–3 korda aeglasest asendist kiirese. Veenduge, et seguklapi kaugjuhtimishoob ja tross (L, joonis 12) liiguvad vabalt. Reguleerige mutter (P, joonis 4) valitud asendile sobivaks.

Mootori püsikiirus (ilma seguklapi hoova traadita)

Kui mootor on fikseeritud pöörlemissagedusele ümber seadistatud, ei ole seguklapi juhttrossi paigaldatud ning pöörlemissagedust ei saa reguleerida. Ainsaks mootori pöörlemissageduseks on KIIRE.

1. Seadke seguklapi hoob / TransportGuard®-i hoob (A, joonis 13) asendisse VÄLJAS.
2. Eemaldage vedru (S, joonis 13).
3. Seadke seguklapi hoob / TransportGuard®-i hoob (A, joonis 13) asendisse KIIRE.
4. Veenduge, et trossi kinnituskruvi (V, joonis 13) on kanduris oleva avaga kohakuti. Pingutage kruvi (V) pingutusmomendiga 25 lb-in (2,8 Nm).
5. Eemaldage hoova ühenduslülil (H, joonis 13).

MÄRKUS. Seguklapi hooval / TransportGuard®-i hooval on nüüd ainult kaks asendit: asend SEISKAMINE/VÄLJAS ja KÄIVITUS.

6. Paigaldage ilupaneelil (F) olemasoleva kiirusregulaatori sildi kohale uus TransportGuard®-i silt SEES/VÄLJAS (O, joonis 14).

Kasutamine



HOIATUS

Kütuseaurud on tule- ja plahvatusohtlikud. Põleng või plahvatus võib tekitada põletushaavu või surma.

Kui tunnete gaasilõhna

- Ärge mootorit käivitage.
- Ärge elektrilüliteid lülitage.
- Ärge kasutage läheduses telefoni.
- Evakueerige piirkond.
- Võtke ühendust päästeteenistusega.

Masina kasutamisel

- Ärge kallutage mootorit ega masinat asendisse, milles kütus võib välja voolata.

Seadme asukoha muutmisel

- Veenduge, et kütusepaak on TÜHI või kütusekraan, kui see on olemas, on asendis SULETUD.

Õlitase kontrollimine

Enne õli kontrollimist või lisamist

- Veenduge, et mootor on horisontaalasendis.
- Puhastage õli täiteava ümbrus prahist.
- Õlimahtu vt jaotisest **Tehnilised andmed**.

MÄRKUS

Mootor tarnitakse Briggs & Strattoni tehaseist ilma õlita. Seadme tootjad või edasimüüjad võivad olla mootori õliga täitnud. Kontrollige enne mootori esmakordset käivitamist, et õlitase on sobiv. Lisage õli, nagu on kirjas käesolevas juhendis toodud juhistes. Kui käivitate mootori ilma õlita, saab see parandamatult kahjustada ning vajalikud remonditööd ei kuulu garantii alla.

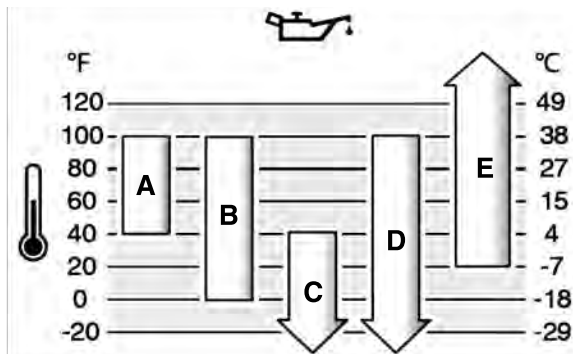
1. Eemaldage määrdetõru (A, joonis 15) ja pühkige see lapiga puhtaks
2. Paigaldage õlivarras ja keerake kinni (A, joonis 15).
3. Eemaldage õlivarras ja kontrollige õlitaset. Veenduge, et õlitase ulatub õlivardal täistasele tähtsena ülaosas (B, joonis 15).
4. Mootoril on kaks õli täiteava (C, G, joonis 16). Kui õlitase on madal, lisage õli mootori õlitäiteavadesse (C, G). Ärge lisage liiga palju õli. Oodake pärast õli lisamist üks minut ja kontrollige seejärel õlitaset uuesti. Veenduge, et õlitase on sobiv.
5. Paigaldage õlivarras ja keerake kinni (A, joonis 15).

Õlisoovitused

Õlimaht: Vt jaotist **Tehnilised andmed**.

Parima jõudluse tagamiseks on soovitatav kasutada Briggs & Stratton® garantiinõuetele vastavat sertifitseeritud õli. Muude kvaliteetsete detergentõlide kasutamine on lubatud, kui need vastavad klassi SF, SG, SH, SJ nõuetele või ületavad neid. Ärge kasutage lisandeid.

Kasutage tabelit, et valida oodatava välistemperatuuri vahemiku jaoks kõige sobivama viskoossusega õli. Enamik õues kasutatavatest masinatest töötab hästi 5W-30 sünteetilise õliga. Kui masinat kasutatakse kõrge temperatuuriga piirkonnas, tagab parima kaitse sünteetiline õli Vanguard® 15W-50.



A	SAE 30 – madalamal temperatuuril kui 40 °F (4 °C) on SAE 30 õli kasutamisel mootori käivitamine raskendatud.
B	10W-30 – kõrgemal temperatuuril kui 80 °F (27 °C) võib 10W-30 õli kasutamine õlitarvet suurendada. Kontrollige sageli õlitaset.
C	5W-30
D	Sünteetiline 5W-30

E Vanguard® sünteetiline 15W-50

Madala õlitase kaitseüsteem (kui see on olemas)

Osadel mootoritel on madala õlitase andur. Kui õlitase on madal, aktiveerib andur hoiatustule või seiskab mootori. Seisake mootor ja tehke enne mootori taaskäivitamist järgmised toimingud.

- Veenduge, et mootor on rõhtasendis.
- Kontrollige õlitaset. Vt jaotist **Õlitase kontrollimine**.
- Kui õlitase on madal, lisage piisavas koguses õli. Käivitage mootor ja veenduge, et hoiatustuli (kui see on olemas) ei sütti.
- Kui õlitase on madal, ärge mootorit käivitage. Pöörduge Briggs & Strattoni volitatud hoolduskeskuse, et õliga seotud probleem lahendada.

Kütusesoovitused

Kütus peab vastama järgmistele nõuetele.

- Puhas, värske pliivaba bensiin.
- Minimaalne oktaanarv 87 / 87 AKI (91 RON). Suurtel kõrgustel kasutatav, vt allpool.
- Lubatud on bensiin, mis sisaldab kuni 10% etanooli (gasohol).

MÄRKUS

Ärge kasutage ebasobivat bensiini, näiteks E15 või E85. Ärge lisage bensiinile õli ega kohandage mootorit kasutamiseks muude kütustega. Ebasobiva kütuse kasutamine tekitab mootoriosadel kahjustusi, millele garantii ei laiene.

Lisage kütusele alkoholivaba kütusestabilisaatorit ja etanoolisisaldusega kütusele mõeldud kütuselisandit, et kaitsta kütuseüsteemi vaigujääkide ladestumise ja korrosiooni eest. Vt jaotist **Ladustamine**. Kõik kütused ei ole ühesugused. Kui tekivad mootori käivitumise või jõudlusega seotud probleemid, vahetage kütuse tarnijat või kütusemarki. Mootor on sertifitseeritud töötama bensiiniga. Karburaatoriga mootoritel kasutatakse heitmete vähendamise süsteemi EM (mootori muudatused). Kütuse elektroonilise sissepritsiga mootoritel kasutatakse heitkoguste vähendamise süsteeme ECM (mootori juhtmoodul), MFI (mitme pordiga sisseprits), TBI (monopritse) ning O2S (hapnikuandur).

Suured kõrgused

Kasutamisel kõrgemal kui 1524 m (5000 jalga) on lubatud bensiin, mille oktaanarv on vähemalt 85 / 85 AKI (89 RON).

Karburaatormootoreid tuleb jõudluse säilitamiseks suurtel kõrgustel töötamiseks sobivaks reguleerida. Reguleerimata kasutus põhjustab madalamat jõudlust, suuremat kütusekulu ja lubatust rohkem heidet. Mootori seadistamiseks suurtel kõrgustel töötamiseks võtke ühendust Briggs & Strattoni volitatud töökojaga. Mootorit pole soovitatav kasutada kõrgustel alla 2500 jalga (762 m), kui see on reguleeritud töötamiseks suurtel kõrgustel.

Elektroonilise sissepritsiga (EFI) mootoritel pole reguleerimine vajalik, et töötada suurtel kõrgustel.

Kütuse lisamine



HOIATUS

Kütus ja selle aurud on kergesti süttivad ja plahvatusohtlikud. Põleng või plahvatus võib tekitada põletushaavu või surma.

Kütuse tankimisel

- Seisake mootor. Oodake enne kütusepaagi korgi eemaldamist vähemalt kaks (2) minutit veendumaks, et mootor on jahtunud.
- Tankige kütust õues või piisava ventilatsiooniga kohas.
- Ärge lisage kütusepaaki liiga palju kütust. Kütuse paisumiseks ruumi jätmiseks ärge täitke paaki kütusepaagi kaela alumisest servast kõrgemale.
- Hoidke kütus eemal sädemetest, lahtisest leegist, pliiootlekidest, kuumusest ja muudest süüteallikatest.
- Kontrollige regulaarselt kütusevoolikuid, kütusepaaki, kütusepaagi korki ning liitmikke pragude ja lekete suhtes. Vahetage kahjustatud osad.
- Kütuse mahaloksumisel oodake selle aurustumiseni, enne kui mootorit käivitate.

1. Puhastage kütusekorgi ala mustusest ja prahist. Eemaldage kütusepaagi kork.
2. Täitke kütusepaak (A, joonis 17) kütusega. Kuna kütus paisub, ärge täitke paaki kütusepaagi kaela (B) alumisest servast kõrgemale.
3. Paigaldage kütusepaagi kork tagasi.

Mootori käivitamine



HOIATUS

MÜRGISE GAASI OHT. Mootori heitgaasid sisaldavad süsinikmonoksiidi e. vingugaasi, mis on mürgine ja võib tappa mõne minuti jooksul. Isegi kui te ei tunne heitgaaside lõhna, võite siiski kokku puutuda ohtliku vingugaasiga. Kui tunnete masina kasutamisel iiveldust, peapööritust või nõrkust, minge VIIVITAMATA värsku õhu kätte. Pöörduge arsti poole. Võimalik, et teil on vingugaasi mürgitus.

- Vingugaas võib koguneda aladele, kus viibivad inimesed. Vingugaasiga seotud ohtude vähendamiseks kasutage seda masinat AINULT välitingimustes, akendest, udest ja ventilatsioonivavadest eemal.
- Paigaldage akutoitel töötavad vingugaasialarmid või vooluvõrgutoitega vingugaasialarmid koos varutoiteakuga tootja juhiste kohaselt. Suitsualarmid ei suuda vingugaasi tuvastada.
- ÄRGE käituge seda masinat majades, garaazides, keldrites, madalates käikudes, kuurides ega muudes osaliselt suletud ruumides isegi siis, kui kasutate ventilaatoreid või avate õhutamiseks ukseid ja aknad. Vingugaas võib masina kasutamisel kiiresti sellistesse kohtadesse koguneda ning jääda sinna tundideks.
- Paigutage see masin ALATI allatuult ja suunake mootori heitgaasid eemale aladelt, kus viibivad inimesed.



HOIATUS

Kütus ja selle aaurud on kergesti süttivad ja plahvatusohtlikud. Põleng või plahvatus võib tekitada põletushaavu või surma.

Mootori käivitamisel

- Veenduge, et süüteküünal, summuti, kütusepaagi kork ja õhupuhasti (kui on masina varustuses) on õigesti paigaldatud.
- Ärge käituge mootorit, kui süüteküünal on eemaldatud.
- Kui mootori karburaator on üle ujutatud, seadke seguklapp (kui on masina varustuses) AVATUD või KÄITUSE asendisse. Keerake õhuklapp (kui on masina varustuses) asendisse KIIRE ja käituge starterit, kuni mootor käivitub.
- Kui läheduses on maagaasi või vedela naftagaasi leke, ärge mootorit käivitage.
- Ärge kasutage survestatud käivitusvedelikke, sest nende aaurud on tuleohtlikud.



HOIATUS

Käed, jalad, juuksed, rõivad või ehted võivad pöörlevate osade vahele kinni jääda ning tulemuseks võib olla traumaatiline jäsemekaotus või rebend.

- Kasutage masinat ainult koos õigesti paigaldatud kaitsekatetega.
- Hoidke käed ja jalad pöörlevatest osadest eemal.
- Eemaldage ehted ja veenduge, et pikad juuksed on kõigist pöörlevatest osadest eemal.
- Ärge kandke avaraid rõivaid ega midagi, mis võiks takerduda.



HOIATUS

Kiire käivitustrossi sissetõmme (tagasitõmme) tõmbab kätt ja käsivart mootori poole kiiremini, kui jõuate sellest lahti lasta. See võib põhjustada luumurde või -mõrasid, marrastusi või venitusi.

- Mootorit käivitades tõmmake käivitustrossi aeglaselt, kuni tunnete takistust; seejärel tõmmake kiiresti, et vältida tagasitõmmet.
- Enne mootori käivitamist lahutage või eemaldage kõik lisaseadmed ja mootorit koormavad seadised.
- Veenduge, et masinaga otse ühendatud osad, nagu terad, tiivikud, rihmarattad, ketirattad jms, on kindlalt kinnitatud.

MÄRKUS. Teie masinal võib olla kaugjuhtimispuul. Kaugjuhtimispuuldi asukohta ja kasutamist vt masina kasutusjuhendist.

1. Kontrollige mootoriõli. Vt jaotist **Õlitase kontrollimine**.
2. Veenduge, et veo juhtseadised, kui need on masina varustuses, on lahutatud.
3. Seadke seguklapi hoob / TransportGuard® (A, joonis 18), kui on masina varustuses, asendisse KIIRE või KÄITUS. Käituge mootorit asendis KIIRE või KÄITUS.
4. Seadke õhuklapi hoob (B, joonis 18) asendisse SULETUD.

Sooja mootori käivitamisel ei ole õhuklapi sulgemine tavaliselt vajalik.

5. **Käsistarter, kui see on varustuses:** Hoidke kindlalt käivitustrossi käepidemest (C, joonis 18). Tõmmake käivitustrossi käepidet aeglaselt, kuni tunnete takistust, seejärel tõmmake järsult kiiresti.



HOIATUS

Kiire käivitustrossi sissetõmme (tagasitõmme) tõmbab kätt ja käsivart mootori poole kiiremini, kui jõuate sellest lahti lasta. See võib põhjustada luumurde või -mõrasid, marrastusi või venitusi.

- Mootorit käivitades tõmmake käivitustrossi aeglaselt, kuni tunnete takistust; seejärel tõmmake kiiresti, et vältida tagasitõmmet.
- Enne mootori käivitamist lahutage või eemaldage kõik lisaseadmed ja mootorit koormavad seadised.
- Veenduge, et masinaga otse ühendatud osad, nagu terad, tiivikud, rihmarattad, ketirattad jms, on kindlalt kinnitatud.

6. **Elektristarter (kui on olemas):** Keerake elektrilise käivituse lüliti (D, joonis 18) asendisse KÄIVITUS.

MÄRKUS

Starteri kasutusea pikendamiseks kasutage lühikesi käivitustsükleid (kõige enam viis sekundit). Oodake üks minut enne taaskäivitamist.

7. Kui mootor on üles soojenenud, seadke õhuklapi hoob (B, joonis 18) asendisse AVATUD.

Kui mootor pärast 2–3 katset ei käivitu, võtke ühendust kohaliku edasimüüjaga või minge aadressil vanguardpower.com või helistage numbril 1-800-999-9333 (USA).

Mootori seiskamine



HOIATUS

Kütus ja selle aaurud on kergesti süttivad ja plahvatusohtlikud. Põleng või plahvatus võib tekitada põletushaavu või surma.

- Ärge seisake mootorit karburaatori õhuklapi (kui on masina varustuses) sulgemisega.

Seguklapi hoob / TransportGuard®: Seadke seguklapi hoob / TransportGuard®-i hoob (A, joonis 19) asendisse VÄLJAS või SEISKAMINE.

MÄRKUS. Kui seguklapi hoob / TransportGuard® (A, joonis 19) on asendis VÄLJAS või SEISKAMINE, on kütusekraan asendis VÄLJAS. Masina transportimise ajaks seadke seguklapi hoob / TransportGuard®-i hoob alati asendisse VÄLJAS või SEISKAMINE.

MÄRKUS. Võti (D, joonis 19) mootorit ei seiska. Võti on AINULT mootori käivitamiseks. Võti (D) tuleb alati eemaldada ning seda tuleb hoida turvalises ja lastele kättesaamatus kohas.

Hooldus

Hooldusala teave



HOIATUS

Kütus ja selle aaurud on kergesti süttivad ja plahvatusohtlikud. Põleng või plahvatus võib tekitada põletushaavu või surma.

Kui hoolduse ajal on tarvis masinat kallutada, veenduge, et kütusepaak (kui see on mootori külge monteeritud) on tühi ja süüteküünlaga ots jääb üles. Kui kütusepaak ei ole tühi, võib kütus lekkida ning põhjustada põlengu või plahvatus. Kui mootorit kallutada teises suunas, ei pruugi see hõlpsalt käivituda, sest õhufilter või süüteküünal on õli või kütusega saastunud.



HOIATUS

Juhuslik mootori tekitatud säde võib põhjustada elektrilöögi, põlengu või plahvatus ning tuua kaasa takerdumise, traumaatilise amputatsiooni või rebendeid.

Enne reguleerimise või remonditööde alustamist:

- Eemaldage kõik süüteküünla juhtmed ja hoidke neid süüteküünaldest eemal.
- Ühendage lahti aku miinusklemm (ainult elektristarteriga mootorid).
- Kasutage ainult sobivaid tööriistu.

Sädet kontrollides:

- Kasutage tunnustatud süüteküünlatestrit.
- Ärge kontrollige sädet, kui süüteküünal on eemaldatud.



HOIATUS

Varuosad peavad olema sama kujuga ja paigaldatud samas asendis kui originaaldetailid. Muud osad võivad põhjustada kahjustusi või vigastusi.

MÄRKUS

Kõik mootori ehitamisel kasutatud osad peavad nõuetekohase talitluse tagamiseks jääma oma kohale.

Mootori ja mootori osade hoolduseks pöörduge Briggs & Strattoni volitatud hoolduskeskuse poole.

Heitmekontrollisüsteemi hooldus

Heitmekontrolli seadmete ja süsteemide hooldamiseks, vahetamiseks või remontimiseks pöörduge mitteliiklusvahendite mootoreid parandava asutuse või kvalifitseeritud hooldustehniku poole. Kuid tasuta heitmekontrolli teeninduseks tuleb pöörduda volitatud edasimüüja poole. Vt heitmekontrolli avaldusi.

Hooldusgraafik

Pärast esimest 5 tundi
<ul style="list-style-type: none"> Vahetage õli
Iga 8 töötundi järel või kord päevas
<ul style="list-style-type: none"> Kontrollige mootoriõli taset. Puhastage summuti ja juhtseadiste ümbrus. Puhastage õhuvõtuvõre.
Iga 100 töötundi järel või kord aastas
<ul style="list-style-type: none"> Hooldage heitgaasisüsteemi. Vahetage reduktori õli (kui on masina varustuses).
Iga 200 töötundi järel või kord aastas
<ul style="list-style-type: none"> Vahetage mootoriõli. Puhastage õhufiltrit¹
Iga 600 töötundi järel või kord 3 aasta järel
<ul style="list-style-type: none"> Vahetage õhufilter.
Kord aastas
<ul style="list-style-type: none"> Vahetage süüteküünal. Hooldage kütusesüsteemi. Hooldage jahutussüsteemi¹. Kontrollige klapi vahet².

¹Puhastage sagedamini tolmustes tingimustes või kui õhus on palju osakesi.

²Pole vajalik, kui mootor töötab tõrgeteta.

Karburaator ja mootori pöörlemissagedus

Ärge püüdke reguleerida mootori pöördeid karburaatori, regulaatori vedru, liigendite või mõne muu detaili muutmisega. Kui on vaja midagi reguleerida, siis laske seda teha Briggs & Strattoni volitatud hoolduskeskuses.

MÄRKUS

Seadme tootja on määranud seadmele paigaldatud mootori suurima lubatud pöörlemissageduse. Ärge seda pöörlemissagedust ületage. Kui te ei tea seadme suurimat lubatud pöörlemissagedust või millisele pöörlemissagedusele on mootor tehases reguleeritud, pöörduge abi saamiseks Briggs & Strattoni volitatud hoolduskeskusesse. Seadme ohutu ja nõuetekohase töö tagamiseks tohib mootori pöörlemissagedust reguleerida ainult vastava kvalifikatsiooniga hooldustehnik.

Süüteküünla hooldus

Kontrollige süüteküünla sädemevahet (A, joonis 20) kaliibriga (B). Vajaduse korral reguleerige süüteküünla sädemevahet. Paigaldage süüteküünal ja pingutage soovitatava momendiga. Sädemevahe ja pingutusmomendi andmeid vt jaotisest **Tehnilised andmed**.

Väljalaske- ja jahutussüsteemide hooldus



HOIATUS

Mootor ja summuti võivad kasutamise ajal kuumaks muutuda. Kui puudutate kuuma mootorit, võite saada põletushaavu.

Süttivad materjalid, nagu lehed, rohi ja võsa, võivad süttida.

- Seisake mootor ja oodake kaks (2) minutit enne mootori või summuti puudutamist. Veenduge, et mootorit ja summutit on ohutu puudutada.
- Eemaldage kogunenud praht summuti ja mootori piirkonnast.

California avalike ressursside seaduse (California Public Resource Code) paragrahvi 4442 järgi on motoriseeritud seadme kasutamine metsa-, põõsa- või murualadel ja nende lähedal keelatud, kui selle väljalaskestüsteem ei ole varustatud nimetatud paragrahvi 4442 nõuetele vastava sädemepüüduriga. Teistes osariikides või föderaalpiirkondades võivad olla sarnased õigusaktid, vt USA föderaalõigusaktide koodeksi 36. jaotise osa 261.52. Võtke ühendust originaalvaruosade tootja, jaemüüja või edasimüüjaga, et hankida sellele mootorile paigaldatud väljalaskestüsteemile mõeldud sädemepüüdur.

See on õhkjahutusega mootor. Mustus või soovimatu praht võib õhuvoolu takistada ning põhjustada mootori ülekuumenemist. See toob kaasa jõudluse vähenemise ning vähendab mootori kasutusiga. Silindri jahutusribide vahele koguneb praht, mida ei saa eemaldada ilma mootori osalise lahtivõtmiseta. Laske Briggs & Strattoni volitatud hoolduskeskusel kindlasti õhkjahutussüsteemi kontrollida ja puhastada. Vt jaotist **Hooldusgraafik**.

- Veenduge, et summuti ümbruses ja taga pole süttivaid materjale.
- Kasutage harja või kuiva lappi, et puhastada puhuri korpuse kate, summuti ja silindri ümbrus prahist. ÄRGE kasutage mootori puhastamiseks vett.
- Veenduge, et ühenduslülid, vedrud ja juhtseadised on puhtad.
- Kontrollige, kas summutil ei esine pragusid, roostet ega muid kahjustusi.
- Eemaldage deflektor või sädemepüüdur, kui see on olemas, ja veenduge, et sellel ei esine kahjustusi ega tahmaummistusi. Kindlasti puhastage osad või asendage uutega, enne kui masinat uuesti kasutate.
- Veenduge, et õlijahuti ribad, kui need on olemas, on puhtad.

Mootoriõli vahetamine



HOIATUS

Kütus ja selle aurud on kergestisüttivad ja plahvatusohtlikud. Põleng või plahvatus võib tekitada põletushaavu või surma.

Mootor ja summuti võivad kasutamise ajal kuumaks muutuda. Kui puudutate kuuma mootorit, võite saada põletushaavu.

- Kui kasutate õli eemaldamiseks ülemist õlitäitetoru, peab kütusepaak olema tühi. Kui see ei ole tühi, võib kütus lekkida ning põhjustada põlengu või plahvatuset.
- Seisake mootor ja oodake kaks (2) minutit enne mootori või summuti puudutamist. Veenduge, et mootorit ja summutit on ohutu puudutada.

Vana õli on ohtlik jääkprodukt ning seda tuleb käidelda nõuetekohaselt. Ärge visake seda olmejäätmete sekka. Ohutu kõrvaldamise ja/või ringlussevõetupunktide kohta saate teavet kohalikest omavalitsusest, hoolduskeskusest või edasimüüjalt.

Just Check & Add™ -mudelitel pole õlivahetus vajalik. Kui õlivahetus on vajalik, vaadake järgnevat protseduuri.

Õlist tühjendamine

- Kui mootor on välja lülitatud, ent veel soe, lahutage süüteküünla juhe / süüteküünalde juhtmed (D, jn21) ja hoidke seda süüteküünlast / neid süüteküünaldest (E) eemal.
- Eemaldage õlivarras (A, joonis 22).
- Mootoril on kaks õli väljalaskeava korki (H, F, joonis 23). Eemaldage õli väljalaskeava korgid (H, F). Laske õli välja sobivasse mahutisse.
- Paigaldage õli väljalaskeava kork (H, F, jn23).

Õli lisamine

- Veenduge, et mootor on loodis.
- Puhastage õlitäiteava ümbrus prahist.
- Õlimahutu vt jaotisest **Tehnilised andmed**.

- Eemaldage mõõtevarras. Vt jaotist **Õlist tühjendamine**.
- Valage õli aeglaselt mootoriõli täiteavasse (C, G, jn24). Ärge lisage liiga palju õli.
- Oodake üks minut ja kontrollige seejärel õlitaset.
- Sisestage mõõtevarras.
- Eemaldage õlivarras ja kontrollige õlitaset. Õlitase on õige, kui see ulatub mõõtevarval täistasele tähise ülaosani. Vt jaotist **Õlitase kontrollimine**.

- Paigaldage mõõtevarras tagasi ja keerake kinni.
- Ühendage süüteküünla juhe / süüteküünalde juhtmed süüteküünla / süüteküünaldega. Vt jaotist **Õlist tühjendamine**.

Hammasreduktori õli vahetus

Osadel mootoritest on hammasreduktori sõlm. Kui see on masina varustuses, vt vastava hammasreduktori sõlme kohta käivaid juhiseid.

2:1 Kettreduktor

Kui mootorile on paigaldatud 2 : 1 kettreduktor (G, joonis 25), pole õlivahetus vajalik. Mootoris olev õli määrab ka kettreduktorit.

2:1 Märksiduri reduktor

Kui mootoril on 2 : 1 märksidurreduktor, tehke järgnevad toimingud:

- Eemaldage õlivarras (A, joonis 26).
- Eemaldage õli väljalaskeava kork (B, joonis 26) ja nõrutage õli sobivasse mahutisse.
- Pange õli väljalaskeava kork tagasi ja keerake kinni (B, joonis 26).
- Valage õli aeglaselt õli täiteavasse (C, joonis 26). Vt jaotist **Tehnilised andmed**.
- Paigaldage õlivarras (A, joonis 26).
- Eemaldage mõõtevarras (A, joonis 26) ja kontrollige õlitaset. Õlitase on sobiv, kui see ulatub mõõtevarjal täistase tähtse ülaosasse (D).
- Paigaldage õlivarras (A, joonis 26).

6:1 Hammasreduktor

Kui teie mootoril on 6 : 1 hammasreduktor, tehke järgnevad toimingud.

- Eemaldage õli täiteava kork (A, joonis 27) ja õlitase kork (B).
- Eemaldage õli väljalaskeava kork (C, joonis 27) ja laske õli sobivasse mahutisse.
- Paigaldage ja keerake kinni õli väljalaskeava kork (C, joonis 27).
- Lisage aeglaselt transmissiooniõli (80W-90) õli täiteavasse (D, joonis 27). Jätka transmissiooniõli (80W-90) lisamisega, kuni õli hakkab õlitase avast (E) välja tulema.
- Paigaldage tagasi ja keerake kinni õlitase kork (B, joonis 27).
- Paigaldage tagasi ja keerake kinni õli täiteava kork (A, joonis 27).

MÄRKUS. Õli täiteava korgil (A, joonis 27) on tuulutusava (F) ning see tuleb paigaldada reduktori karteri peale, nagu on näidatud illustratsioonil.

Õhufiltri hooldus

HOIATUS



Kütuseaurud on tule- ja plahvatusohtlikud. Põleng või plahvatus võib tekitada põletushaavu või surma.

- Ärge käivitage ega käitage mootorit, kui õhupuhasti koost (kui on masina varustuses) või õhufilter (kui on masina varustuses) on eemaldatud.

MÄRKUS

Ärge kasutage filtri puhastamiseks suruõhku ega lahusteid. Suruõhk võib filtrit kahjustada ja lahustid lagundavad seda.

Hooldusnõudeid vt jaotisest **Hooldusgraafik**.

Eri mudelites kasutatakse vahtlemendiga või paberist filtrit. Mõnel mudelil võib olla ka lisavarustusse kuuluv eelpuhasti, mida on võimalik pesta ja uuesti kasutada. Võrreelge kasutusjuhendi jooniseid oma mootorile paigaldatud tüübiga ja hooldage sellele vastavalt.

Paberist õhufilter

- Vabastage sulgur(id) (C, joonis 28).
- Eemaldage kate (A, joonis 28) ja filter (B).
- Koputage filtrit (B, joonis 28) kergelt vastu kõva pinda, et praht eemaldada. Kui filter on määrdunud, asendage see uue filtriga.
- Paigaldage filter (B, joonis 28).
- Paigaldage kate (A, joonis 28) ja sulgur(id) (C). Veenduge, et sulgur(id) on tihedalt kinni.

Paberist õhufilter – madal profiil

- Liigutage klambrit (A, joonis 29), et kate (C) vabastada.
- Vajutage sakid (B, joonis 29) sisse ja eemaldage kate (C).
- Eemaldage filter (D, joonis 29).
- Koputage filtrit (D, joonis 29) kergelt vastu kõva pinda, et praht eemaldada. Kui filter on määrdunud, asendage see uue filtriga.
- Paigaldage filter (D, joonis 29).

- Paigaldage kate (C, joonis 29). Liigutage klamber (A) lukustatud asendisse.

MÄRKUS. Kontrollige vahttihendi (E, joonis 29) sobivust. Veenduge, et vahttihendi välisserv istub õigesti kanalis (F).

Kütusesüsteemi hooldus

HOIATUS



Kütus ja selle aurud on kergesti süttivad ja plahvatusohtlikud. Põleng või plahvatus võib tekitada põletushaavu või surma.

- Hoidke kütus eemal sädemetest, lahtisest leegist, pilootleekidest, kuumusest ja muudest süüteallikatest.
- Kontrollige regulaarselt kütusevoolikuid, kütusepaaki, kütusepaagi korki ning liitmikke pragude ja lekete suhtes. Vahetage kahjustatud osad.
- Kütuse mahaloksumisel oodake selle aurustumiseni, enne kui mootori käivitata.

Kütusesõel, kui on masina varustuses

- Eemaldage kütusepaagi kork (A, joonis 30).
- Eemaldage kütusesõel (B, joonis 30).
- Kui kütusesõel on määrdunud, siis puhastage see või vahetage välja. Kütusesõela vahetades kasutage kindlasti originaalvaruosa.

Hoiustamine

Kütusesüsteem

Vt joonist: 31.

HOIATUS



Kütus ja selle aurud on kergesti süttivad ja plahvatusohtlikud. Põleng või plahvatus võib tekitada põletushaavu või surma.

Kütuse ladustamine

- Kuna pilootleegid jm süüteallikad võivad põhjustada plahvatusi, hoidke kütust ja masinaid eemal ahjudest, pliitidest, boileritest jt pilootleegiga seadmetest.

Hoidke mootorit horisontaalasendis (tavaline tööasend). Täitke kütusepaak (A, joonis 31) kütusega. Kütuse paisumise lubamiseks ärge täitke kütusepaagi kaela alumisest servast kõrgemale (B).

Kütus võib rikneda, kui seda hoitakse mahutis kauem kui 30 päeva. Kütusemahutisse on soovitatav lisada alkoholivaba kütusestabilisaatorit ja etanoolisisaldusega kütusele mõeldud kütuselisandit, et vältida kütuse riknemist ja hoida kütust värskena.

Kui tangite kütusemahutisse kütust, lisage sinna alkoholivaba kütusestabilisaatorit vastavalt tootja juhistele. Kui mootoris olevale bensiinile pole kütusestabilisaatorit lisatud, siis tuleb kütus sobivasse mahutisse valada. Käitage mootorit, kuni kütus on otsas.

Mootoriõli

Vahetage mootoriõli, kui mootor on veel soe. Vt jaotist **Mootoriõli vahetamine**.

Tõrkeotsing

Abi

Abi saamiseks võtke ühendust kohaliku edasimüüjaga või minge aadressil **BRIGGSandSTRATTON.COM** või helistage numbril **1-800-444-7774** (USA).

Tehnilised andmed ja varuosad

Spetsifikatsioonid	Mudel: 10V000	Mudel: 12V000
Töömaht	10.313 in ³ (169 cm ³)	12.387 in ³ (203 cm ³)
Kaliber	2.44 in (62 mm)	2.677 in (68 mm)
Kolvi käik	2.204 in (56 mm)	2.204 in (56 mm)
Õli kogus	18 - 20 oz (.54 - .59 l)	18 - 20 oz (.54 - .59 l)
2 : 1 märksidurreduktor – õli tüüp	10W-30	10W-30
2 : 1 märksidurreduktor – õli kogus	10 oz (.30 l)	10 oz (.30 l)
6 : 1 hammasreduktor – õli tüüp	80W-90	80W-90
6 : 1 hammasreduktor – õli kogus	4 oz (12 l)	4 oz (12 l)
Süüteküünla sädemevahe	.030 in (.76 mm)	.030 in (.76 mm)

Spetsifikatsioonid	Mudel: 10V000	Mudel: 12V000
Süüteküünla pingutusmoment	180 lb-in (20 Nm)	180 lb-in (20 Nm)
Süütemagneeto õhupilu	.010 - .013 in (.25 - .35 mm)	.010 - .013 in (.25 - .35 mm)
Sisselaskeklapi vahe	.004 - .006 in (.10 - .15 mm)	.004 - .006 in (.10 - .15 mm)
Väljalaskeklapi vahe	.005 - .007 in (.15 - .20 mm)	.005 - .007 in (.15 - .20 mm)

Spetsifikatsioonid	Mudel: 25V000
Töömaht	24.898 in ³ (408 cm ³)
Kaliiber	3.465 in (88 mm)
Kolvi käik	2.638 in (67 mm)
Trossi kronsteini polt	30 lb-in (3,4 Nm)
Trossi kinnituskrugi	25 lb-in (2,8 Nm)
Õli kogus	18 - 20 oz (.54 - .59 l)
Süüteküünla sädemevahe	.030 in (.76 mm)
Süüteküünla pingutusmoment	180 lb-in (20 Nm)
Süütemagneeto õhupilu	.010 - .013 in (.25 - .35 mm)
Sisselaskeklapi vahe	.004 - .006 in (.10 - .15 mm)
Väljalaskeklapi vahe	.005 - .007 in (.15 - .20 mm)

Mootori võimsus väheneb 3,5% iga 1000 ft (300 m) kohta üle merepinna ja 1% iga 10 °F (5,6 °C) kohta üle 77 °F (25 °C). Mootor töötab rahuldavalt kuni 30-kraadise nurga all. Ohutute kasutuspiiride leidmiseks kallakule vt seadme kasutusjuhendit.

Varuosad

Briggs & Strattoni varuosade ostmiseks leidke volitatud hoolduskeskus saidilt BRIGGSandSTRATTON.COM. Vajate oma masina identifitseerimisnumbrit (mudel – tüüp – versioon). Oma mootori identifitseerimisnumbri leidmise juhiseid vt jaotisest **Funktsioonid ja juhtseadised**.

Nimivõimsus

Üksikute bensiinimootorite nimivõimsused on märgitud kooskõlas SAE (USA Autoinseneride Liidu) standardiga J1940 (väikemootorite võimsuse ja pöördemomendi määramise protseduur) ja nimiväärtuste andmed on saadud ning korrigeeritud kooskõlas standardiga SAE J1995. Pöördemomendi väärtused on saadud kiirusel 2600 p/min nendel mootoritel, mille andmesildil on märgitud „rpm” ja kiirusel 3060 p/min kõigi teiste puhul; hobujõudude väärtused on saadud kiirusel 3600 p/min. Koguvõimsuse kõveraid saab vaadata aadressil www.BRIGGSandSTRATTON.COM. Tegelikku netovõimsust on mõõdetud koos väljalasketoru ja õhupuhaastiga, brutovõimsust aga mõõdetakse ilma nende seadisteta. Mootori tegelik koguvõimsus on suurem kui netovõimsus ja sõltub muu hulgas keskkonnatingimustest ning mootorite individuaalsetest erinevustest. Arvestades laia tooteskaalat, milles mootoreid kasutatakse, ei pruugi bensiinimootor saavutada märgitud brutovõimsust konkreetses seadmes. See erinevus tuleneb mitmest tegurist, k.a mitmesugused mootori osad (õhupuhaasti, väljalaskestüsteem, laadimine, jahutus, karburaator, kütusepump jne), kasutuspiirangud, keskkonnatingimused (temperatuur, niiskus, kõrgus) ning mootorite individuaalsed erinevused. Tootmis- ja mahupiirangute tõttu võib Briggs & Stratton asendada selle mootori kõrgema nimivõimsusega mootoriga.

Garantii

Briggs & Stratton® -i mootorigarantii

Kehtiv alates 2022. a augustist

Piiratud garantii

Briggs & Stratton garanteerib järgnevalt nimetatud garantiiperioodi jooksul mis tahes osa, millel on materjali- või tootmisdefekt või mõlemad, tasuta parandamise või asendamise uue, taastatud või remonditud osaga. Konkreetne parandusmeede valitakse Briggs & Strattoni ainuäranägemisel. Parandamiseks või asendamiseks saadetud toote transpordikulud tasub ostja. Käesolev garantii kehtib allpool nimetatud ajaperioodil ja tingimustel. Garantiteeninduse saamiseks otsige lähim volitatud hoolduskeskus meie edasimüüjate kaardilt aadressil BRIGGSandSTRATTON.COM. Ostja peab võtma ühendust volitatud hooldustöökajaga ja andma seejärel toote volitatud hooldustöökajale kontrollimiseks ja testimiseks.

Käesolev garantii on ainus selgesõnaline garantii. Kaudsed garantiid, kaasa arvatud need, mis puudutavad turustatavust ja konkreetseks otstarbeks sobivust, kehtivad ostukuupäevast alates ühe aasta jooksul või seadusega nõutud perioodi kestel. Kõik muud kaudsed garantiid on välistatud. Vastutus ettenägematu või kaudsete kahjude eest on välistatud seadusega lubatud ulatuses. Mõned riigid või osariigid ei luba piiranguid kaudse garantii kehtivusaajale ning mõned riigid või osariigid ei luba juhuslike või kaudsete kahjude välistamist või piiramist, mistõttu nimetatud piirang või välistamine ei pruugi teile kehtida. See garantii

annab teile konkreetsed juriidilised õigused ja teil võib olla ka muid õigusi olenevalt osariigist või riigist.

Garantii tüüptingimused^{1, 2}

Vanguard®; Commercial Series

Tarbijakasutus - 36 kuud

Kommertskasutus - 36 kuud

XR Series

Tarbijakasutus - 24 kuud

Kommertskasutus - 24 kuud

Kõik muud mootorid, millel on Dura-Bore™ malmist muhv

Tarbijakasutus - 24 kuud

Kommertskasutus - 12 kuud

Kõik muud mootorid

Tarbijakasutus - 24 kuud

Kommertskasutus - 3 kuud

¹ Need on meie üldised garantiitingimused, kuid vahel võivad lisanduda täiendavad garantiid, mis ei olnud juhendi ilmumise ajal kindlaks määratud. Kehtivad mootori garantiitingimused leiate veebisaidilt BRIGGSandSTRATTON.com. Teise võimalusena pöörduge kohaliku Briggs & Strattoni volitatud hoolduskeskuse poole.

² Garantii ei kehti mootoritele nendes masinates, mida kasutatakse peamiselt toiteallikana vooluvõrgu asemel; kommertseesmärkidel töötavate varugeneraatoritena ja teenindussõidukitena, mille kiirus ületab 25 mi/h. Garantii ei kehti ka mootoritele, mida kasutatakse võidusõitudel või äri- või rendiotstarbel.

* Austraalias – meie toodetel on garantiid, mida ei saa Austraalia tarbijaõiguse kohaselt välistada. Teil on õigus toote asendamisele või tagasimaksele suure rike korral ning kompensatsioonile mis tahes muude mõistlikult prognoositavate kadude või kahjude korral. Samuti on teil õigus toodete parandamisele või asendamisele, kui toodete kvaliteet ei ole vastuvõetaval tasemel ja rike ei ole suur. Garantiihoolduseks pöörduge lähima volitatud hoolduskeskuse poole, kasutades meie edasimüüjate kaarti aadressil BRIGGSandSTRATTON.COM või helistades numbril 1300 274 447 või saates e-kirja aadressil salesenquiries@briggsandstratton.com.au, Briggs & Stratton Australia Pty Ltd, 1 Moorebank Avenue, Moorebank, NSW, Austraalia, 2170.

Garantiiperiood algab esmase era- või äriksutaja ostukuupäevast ning kestab eeltoodud tabelis näidatud aja jooksul. „Tavakasutus” tähendab isiklikku kasutamist kodumajapidamises jaetarbija poolt. „Kommertskasutus” tähendab kõiki teisi kasutusviise, kaasa arvatud äriksel, tulu saamise või rentimise eesmärgil kasutamist. Kui mootorit on kasutatud mõnel perioodil kommertseesmärkidel, siis loetakse seda mootorit selle garantii mõttes äriksutuses olevaks mootoriks.

Briggs & Strattoni toodetel pole garantii kehtivuseks garantii registreerimine vajalik. Hoidke ostmist tõendav tšekk alles. Kui teil puudub esmast ostukuupäeva tõendav dokument, siis lähtutakse garantiiteenindusel garantiiperioodi pikkuse määramisel toote tootmiskuupäevast.

Teie garantiist

See garantii laieneb üksnes mootoriga seotud materjali- või valmistusvigadele ning ei hõlma selle masina asendamist ega hüvitamist, millesse mootor paigaldati. Garantii ei hõlma jooksvat hooldust, häälestamist, reguleerimist ja mootori tavalist kulumist. Samuti ei kehti garantii juhul, kui mootorit on muudetud või modifitseeritud või kui selle seerianumber on rikutud või eemaldatud. Käesolev garantii ei kata mootori kahjustusi ega toimivusprobleeme, mis tulenevad:

- Briggs & Strattoni i mitte-originaal varuosade kasutamisest;
- mootori kasutamisest õliga, mida on lisatud ebapiisavas koguses või mis on saastunud või vale kvaliteediklassiga;
- saastunud või vana kütuse kasutamisest, bensiini kasutamisest, mis sisaldab üle 10% etanooli, või muude kütuste kasutamisest, nt vedelgaas või maagaas, mootoritel, mis pole Briggs & Stratton poolt algselt konstrueeritud/toodetud tööks selliste kütustega;
- mustusest, mis on mootorisse sattunud õhupuhaasti vale hoolduse tõttu või mootori uuesti kokkupanekul;
- muruniiduki lõiketeraga objekti tabamisest, terakohandajate, tiivikute või teiste väntvõllile ühendatud seadiste ebaõigest paigaldusest, kiilrihma liigest pingusest;
- muude kui Briggs & Stratton pakutavate abiosade või sõlmede, nt sidurite, jõuülekannete, seadme juhtseadiste jne kasutamisest;
- ülekuumenemisest, mis on tekkinud niidetud muru, mustuse, prahi või jahutusribidesse või hooratta alasse sattunud näriliste pesade tõttu või on tingitud mootori kasutamisest piisava ventilatsiooniga;
- ülemäärasest vibratsioonist, mis on tingitud liigest kiirusest, mootori lahtisest paigaldusest, lahtisest või tasakaalustamata lõiketeradest või tiivikutest või masinaosade valest ühendamisest väntvõllile;

9. väärkasutusest, regulaarse hoolduse puudumisest, laadimisest, käsitlemisest, masinate ladustamisest või mootori valest paigaldamisest.

Garantiihooldust teostavad ainult Briggs & Stratton volitatud hoolduskeskused.
Leidke lähim volitatud hoolduskeskus meie edasimüüjate kaardilt aadressil
BRIGGSandSTRATTON.COM või helistades numbril 1-800-444-7774 (USA).

80114782 (redaktsioon A)

Not for
Reproduction

Opće informacije



Ovaj priručnik sadrži sigurnosne informacije o opasnostima i rizicima povezanih s ovim motorom i načinima sprječavanja tih opasnosti. Ovdje se također nalaze upute o tome kako na ispravan način koristiti i održavati motor. Važno je da pročitate, shvatite i pridržavate se ovih uputa. **Sačuvajte ovaj priručnik kako biste se ubuduće mogli njime poslužiti.**

NAPOMENA: Slike i ilustracije u ovom priručniku služe samo u informativne svrhe i mogu se razlikovati od vašeg modela. Koristite slike sukladne konfiguraciji vašeg motora. Po potrebi obratite se ovlaštenom serviseru.

Zapišite datum kupnje, model motora, vrstu, podešavanje motora i serijski broj jer će vam trebati za zamjenske dijelove. Ovi brojevi nalaze se na motoru. Pogledajte dio **Funkcije i upravljanje**.

Datum kupnje	
Model - vrsta - podešavanje motora	
Serijski broj motora	

Kontaktni podaci europskog ureda

Za pitanja vezana za emisije ispušnih plinova u Europi, kontaktirajte naš europski ured na adresi:


Max-Born-Straße 2, 68519 Viernheim, Njemačka.

Europska unija (EU) Faza V (5): Vrijednosti za ugljični dioksid (CO2)

Unesite CO2 u prozor za pretraživanje na stranici BriggsandStratton.com kako biste pronašli vrijednosti za ugljični dioksid za Briggs & Stratton motore s EU certifikatom tipnog odobrenja.

Sigurnost rukovatelja

Sigurnosni simboli upozorenja i signalne riječi

Sigurnosni simbol upozorenja  upotrebljava se za prikaz sigurnosnih informacija o opasnostima koje mogu izazvati tjelesne ozljede. Signalna riječ (**OPASNOST**, **UPOZORENJE**, ili **OPREZ**) se koristi za isticanje vjerojatnosti i težine potencijalne ozljede. Osim toga, simbol opasnosti se koristi za označavanje vrste opasnosti.









OPASNOST označava opasnost koja će, ukoliko se ne izbjegne, izazvati smrt ili tešku ozljedu.



UPOZORENJE označava opasnost koja može, ukoliko se ne izbjegne, izazvati smrt ili tešku ozljedu.

OPREZ označava opasnost koja može, u slučaju da se ne izbjegne, izazvati laku ili srednje tešku ozljedu.

OPASKA se odnosi na važnu informaciju koja nije povezana s opasnošću.

Simboli opasnosti i njihovo značenje

	Sigurnosne informacije o opasnostima koje mogu rezultirati tjelesnom ozljedom.		Pročitajte i proučite korisnički priručnik prije upotrebe ili servisiranja uređaja.
	Opasnost od požara		Opasnost od eksplozije
	Opasnost od strujnog udara		Opasnost od otrovnog dima
	Opasnost od vruće površine		Opasnost od povratnog udara

	Opasnost od amputacije - pokretni dijelovi		Razina goriva - maksimalna Nemojte prepunjavati
--	--	--	--



Sigurnosne poruke



UPOZORENJE

Motori tvrtke Briggs & Stratton® nisu namijenjeni za i ne smiju se koristiti za pogon: fun-kart i go-kart karting vozila; dječjih, rekreacijskih ili sportskih ATV vozila; motocikala; lebdjelica; zrakoplova ili vozila koja se koriste u natjecanjima za koja tvrtka Briggs & Stratton nije dala odobrenje. Više pojedinosti o proizvodima za natjecateljsku vožnju potražite na www.briggsracing.com. U vezi s upotrebom na pomoćnim i paralelnim ATV vozilima kontaktirajte Centar za primjenu pogona tvrtke Briggs & Stratton na broj 1-866-927-3349. Nepravilna upotreba motora može rezultirati teškom ozljedom ili smrću.

Informacije o recikliranju

		Reciklirajte sve kartone, kutije, otpadno ulje i baterije kako je određeno u državnim propisima.
---	--	--

Funkcije i upravljanje









Upravljački elementi motora

Usporedite slova oznaka na slikama 1, 2 i 3 s upravljačkim elementima motora na popisu:

- Brojevi za prepoznavanje motora **model - vrsta - šifra**
- Svjećica
- Spremnik goriva i čep
- Filtar za zrak
- Ručka konopca pokretača
- Šipka za mjerenje razine ulja
- Otvor za ulijevanje ulja
- Čep odvoda ulja
- Prigušivač, štitnik prigušivača (ako je ugrađen), hvatač iskri (ako je ugrađen)
- Regulator gasa/zatvaranje dovoda goriva/Transport Guard™
- Regulator čoka
- Rešetka dovoda zraka
- Sklopka elektropokretača (ako je ugrađena)
- Jedinica reduktora (ako je ugrađena)

Neki motori i oprema imaju daljinsko upravljanje. Upute o lokaciji i radu daljinskog upravljanja potražite u priručniku opreme.

Simboli upravljanja motorom i njihovo značenje

	Brzina vrtnje motora - VISOKA		Brzina vrtnje motora - NISKA
	Brzina vrtnje motora - ZAUSTAVLJEN		Uključeno - Isključeno
	Pokretanje motora Čok ZATVOREN		Pokretanje motora Čok OTVOREN
	Čep spremnika za gorivo Ventil za dovod goriva - OTVOREN		Ventil za dovod goriva - ZATVOREN

Sklapanje

Preinaka regulatora gasa

Standardni motor ima ručno upravljanje gasom. Za rad s ručnim regulatorom gasa, ugradite daljinski regulator gasa ili obavite pretvaranje na fiksnu brzinu. Upute potražite u nastavku.

NAPOMENA: Brzina vrtnje mora biti ispravna kako je navedeno u specifikacijama proizvođača opreme. Obratite se ovlaštenom prodajno-servisnom centru Briggs & Stratton.

Ručni regulator gasa

1. Pomaknite ručicu regulatora gasa/TransportGuard® (A, slika 4) u položaj ISKLJUČENO.
2. Uklonite oprugu (S, slika 4).

Daljinsko upravljanje gasom s upletenom sajlom

Daljinsko upravljanje gasom s upletenom sajлом može se ugraditi u jednom od dva smjera: **Smjer glave cilindra** ili **prednji smjer**.

Smjer glave cilindra

1. Pomaknite ručicu regulatora gasa / TransportGuard™ (A, slika 5) u položaj ISKLJUČENO.
2. Pomoću ključa od 10 mm otpustite maticu na ručici (P, slika 5) za ½ okretaja na ručici regulatora gasa / TransportGuard® (A).
3. Držite pričvrtnu navrtku sajle (J, slika 6) ključem od 10 mm i olabavite vijak (K).
4. Montirajte sajlu (L, slika 6) kroz otvor u pričvrstnoj navrtci sajle (J) i pritegnite vijak (K). Pripazite da sajla (L) ne prelazi otvor za više od ½ in (12,7 mm).
5. Otpustite vijak (I, slika 6). Učvrstite kabelski rukavac (N) ispod stezaljke sajle (M) i zategnite vijak (I).
6. Provjerite rad daljinskog upravljanja gasom. Pomaknite daljinsko upravljanje gasom od polaganog do brzog 2 - 3 puta. Povjerite je li omogućeno slobodno kretanje daljinskog upravljanja gasom i sajle (L, slika 6). Podesite maticu (P, slika 7) kako je neophodno za dani položaj.

Pravac naprijed

1. Podesite ručicu regulatora gasa / TransportGuard™ :
 - a. **Za modele motora 10V000 i 12V000:** Pomaknite ručicu regulatora gasa/TransportGuard™ (A, slika 8) u položaj BRZO.
 - b. **Za modele motora 25V000:** Pomaknite ručicu regulatora gasa / TransportGuard™ (A, slika 8) u položaj ISKLJUČENO.
2. Pomoću ključa od 10 mm otpustite navrtku na ručici (P, slika 7) za ½ okretaja na ručici regulatora gasa / TransportGuard® (A).
3. Držite pričvrtnu navrtku sajle (J, slika 8) ključem od 10 mm i olabavite vijak.
4. Montirajte sajlu (L, slika 8) kroz otvor u pričvrstnoj navrtci sajle (J) i pritegnite vijak (K). Pripazite da sajla (L) ne prelazi otvor za više od ½ in (12,7 mm).
5. Otpustite vijak (I, slika 8). Pričvrstite kabelski rukavac (N) ispod stezaljke (M) i zategnite vijak (I).
6. Provjerite rad daljinskog upravljanja gasom. Pomaknite daljinsko upravljanje gasom od polaganog do brzog 2 - 3 puta. Povjerite je li omogućeno slobodno kretanje daljinskog upravljanja gasom i sajle (L, 8). Podesite maticu (P, slika 7) kako je neophodno za dani položaj.

Daljinsko upravljanje gasom sa krutom sajлом

Daljinsko upravljanje gasom s krutom sajлом može se montirati u jednom od četiri smjera: **Smjer glave cilindra**, **prednji smjer**, **lijevi smjer** ili **desni smjer**.

Smjer glave cilindra

1. Pomaknite ručicu regulatora gasa/TransportGuard® (A, slika 9) u položaj ISKLJUČENO.
2. Uklonite oprugu (S, slika 9).
3. Pomaknite ručicu regulatora gasa/TransportGuard® (A, slika 9) u položaj BRZO.
4. Pomoću ključa od 10 mm otpustite maticu na ručici (P, slika 4) za ½ okretaja na ručici regulatora gasa/TransportGuard® (A).
5. Ugradite Z-spojnicu krute sajle (Q, slika 9) u jedan od dva mala otvora na okretnoj poluzi (R).
6. Otpustite vijak (I, slika 9). Učvrstite kabelski rukavac (N) ispod stezaljke sajle (M) i zategnite vijak (I).
7. Provjerite rad daljinskog upravljanja gasom. Pomaknite daljinsko upravljanje gasom od polaganog do brzog 2 - 3 puta. Povjerite je li omogućeno slobodno kretanje daljinskog upravljanja gasom i sajle (L, slika 9). Podesite maticu (P, slika 4) kako je neophodno za dani položaj.

Pravac naprijed

1. Pomaknite ručicu regulatora gasa / TransportGuard® (A, slika 10) u položaj ISKLJUČENO.
2. Uklonite oprugu (S, slika 10).
3. Pomaknite ručicu regulatora gasa / TransportGuard® (A, slika 10) u položaj BRZO.
4. Pomoću ključa od 10 mm otpustite navrtku na ručici (P, slika 4) za ½ okretaja na ručici regulatora gasa / TransportGuard® (A).
5. Ugradite Z-spojnicu krute sajle (Q, slika 10) u jedan od dva mala otvora na okretnoj poluzi (R).
6. Otpustite vijak (I, slika 10). Pričvrstite kabelski rukavac (N) ispod stezaljke (M) i zategnite vijak (I).
7. Provjerite rad daljinskog upravljanja gasom. Pomaknite daljinsko upravljanje gasom od polaganog do brzog 2 - 3 puta. Povjerite je li omogućeno slobodno kretanje daljinskog upravljanja gasom i sajle (L, slika 10). Podesite maticu (P, slika 4) kako je neophodno za dani položaj.

Pravac lijevo

1. Pomaknite ručicu regulatora gasa / TransportGuard® (A, slika 11) u položaj ISKLJUČENO.
2. Uklonite oprugu (S, slika 4).
3. Pomaknite ručicu regulatora gasa / TransportGuard® (A, slika 11) u položaj BRZO.
4. Pomoću ključa od 10 mm otpustite maticu na ručici (P, slika 4) za ½ okretaja na ručici regulatora gasa / TransportGuard® (A, slika 11).
5. Uklonite gumb regulatora (W, slika 11) kako bi se vidio mali otvor (S).
6. Ugradite Z-spojnicu krute sajle (L, slika 11) u mali otvor (S) na ručici za upravljanje gasom (A).
7. Otpustite vijak (I, slika 11). Pričvrstite kabelski rukavac (N) ispod stezaljke (M) i zategnite vijak (I).
8. Provjerite rad daljinskog upravljanja gasom. Pomaknite daljinsko upravljanje gasom od polaganog do brzog 2 - 3 puta. Povjerite je li omogućeno slobodno kretanje daljinskog upravljanja gasom i sajle (L, slika 11). Podesite maticu (P, slika 4) kako je neophodno za dani položaj.

Pravac desno

Za ugradnju daljinskog upravljanja gasom iz desnog smjera, potreban je nosač kabela (U, slika 12). Pogledajte odjeljak **Tehnički podaci i servisni dijelovi** za broj dijela. Za kupnju nosača kabela, obratite se Briggs & Stratton ovlaštenom servisu.

1. Pomaknite ručicu regulatora gasa/TransportGuard® (A, slika 12) u položaj ISKLJUČENO.
2. Uklonite oprugu (S, slika 4).
3. Uklonite gumb regulatora (W, slika 12) kako bi se vidio mali otvor (S).
4. Pomaknite ručicu regulatora gasa/TransportGuard® (A, slika 12) u položaj BRZO.
5. Pomoću ključa od 10 mm otpustite navrtku na ručici (P, slika 4) za ½ okretaja na ručici regulatora gasa/TransportGuard® (A, 12).
6. Ugradite Z-spojnicu krute sajle (L, slika 12) u mali otvor (S) na ručici za upravljanje gasom (A).
7. Skinite vijak (T, slika 12). Nosač kabela (U) montirajte kao što je prikazano na slici. Pričvrstite nosač kabela (U) vijkom (T). Vijak (T) zategnite momentom sile od 30 lb-in (3,4 Nm). Pogledajte odjeljak **Tehnički podaci i servisni dijelovi**.
8. Otpustite vijak (I, slika 12). Pričvrstite kabelski rukavac (N) ispod stezaljke (M) i zategnite vijak (I).
9. Ispitajte rad daljinskog regulatora gasa. Pomaknite daljinsko upravljanje gasom od polaganog do brzog 2 - 3 puta. Povjerite je li omogućeno slobodno kretanje daljinskog upravljanja gasom i sajle (L, slika 12). Podesite maticu (P, slika 4) kako je neophodno za dani položaj.

Fiksna brzina motora (bez kabela regulatora gasa)

Kada je postavljen na **fiksnu brzinu motora**, kabel regulatora nije ugrađen i nema odabira brzine. BRZO je jedina brzina motora.

1. Pomaknite ručicu regulatora gasa/TransportGuard® (A, slika 13) u položaj ISKLJUČENO.
2. Uklonite oprugu (S, slika 13).
3. Pomaknite ručicu regulatora gasa/TransportGuard® (A, slika 13) u položaj BRZO.
4. Provjerite je li vijak držača sajle (V, slika 13) poravnat s otvorom na nosaču. Zategnite vijak (V) zateznom silom od 25 lb-in (2,8 Nm).
5. Uklonite upravljačku vezu (H, slika 13).

NAPOMENA: Ručica regulatora gasa/TransportGuard® sada će imati samo dva položaja: ZAUSTAVLJANJE/ISKLJUČENO i RAD položaj.

6. Postavite novu naljepnicu sklopka za uključivanje/isključivanje TransportGuard® (O, slika 14) preko postojeće naljepnice za kontrolu brzine na zaštitnoj ploči (F).

Rukovanje



UPOZORENJE

Pare goriva su zapaljive i eksplozivne. Požar ili eksplozija mogu uzrokovati opekline ili smrt.

Ako namirišete plin

- Nemojte pokretati motor.
- Nemojte uključivati električne prekidače.
- Nemojte u blizini koristiti telefon.
- Evakuirajte područje.
- Obratite se vatrogascima.

Kad rukujete opremom

- Ne naginjite motor ili opremu pod kutom koji može izazvati izlivanje goriva.

Kada premjestite lokaciju opreme

- Pazite da spremnik za gorivo bude PRAZAN ili da ventil za zatvaranje dovoda goriva, ako je ugrađen, bude u položaju ZATVORENO.

Provjerite razinu ulja

Prije nego provjerite ili dolijete ulje

- Pazite da motor bude u vodoravnom položaju.
- Iz područja za ulje očistite nečistoće.
- Pogledajte odjeljak **Tehnički podaci** radi količine ulja.

OPASKA

Ovaj se motor iz tvrtke Briggs & Stratton isporučuje bez ulja. Moguće je da su proizvođači opreme ili prodajni zastupnici dodali ulje u motor. Prije nego prvi put pokrenete motor, provjerite je li razina ulja ispravna. Dolijte ulje kako je navedeno u uputama iz ovog priručnika. Ako motor pokrenete bez ulja, on će se oštetiti, i neće biti moguć popravak pokriven jamstvom.

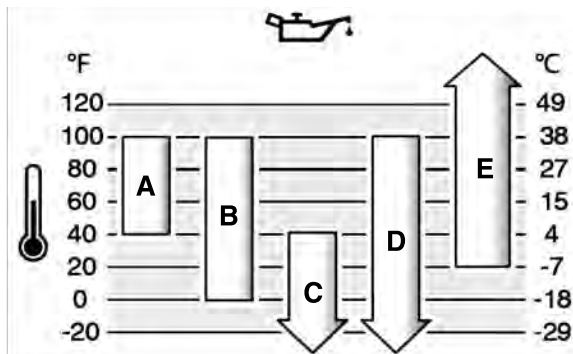
1. Izvadite štapić za mjerenje razine ulja (A, slika 15) i očistite je krpom
2. Postavite i stegnite štapić za mjerenje razine ulja (A, slika 15).
3. Izvadite štapić za mjerenje razine ulja i provjerite razinu ulja. Pripazite da razina ulja bude do vrha indikatora napunjenosti (B, slika 15) na štapiću za mjerenje razine ulja.
4. Motor ima dva otvora za ulijevanje ulja (C, G, slika 16). Ako je razina ulja niska, polako dolijevajte ulje u otvor za ulijevanje ulja na motoru (C, G). Nemojte uliti previše ulja. Nakon što dolijete ulje, pričekajte minutu, a zatim ponovno provjerite razinu ulja. Provjerite je li razina ulja ispravna.
5. Postavite i stegnite štapić za mjerenje razine ulja (A, slika 15).

Preporučena ulja

Kapacitet spremnika ulja: Pogledajte odjeljak **Tehnički podaci**.

Za postizanje najboljeg radnog učinka preporučujemo uporabu ulja tvrtke Briggs & Stratton® koja su odobrena jamstvom. Dopuštena su i druga visokokvalitetna motorna ulja s aditivima deterdženta ako im je oznaka kvalitete SF, SG, SH, SJ ili viša. Ne koristite posebne aditive.

Koristite grafikon za odabir najbolje viskoznosti u skladu s očekivanim rasponom vanjske temperature. Motori za većinu opreme za vanjsku primjenu dobro rade sa sintetičkim uljem 5W-30. Za opremu kojom se rukuje na visokim temperaturama, najbolju zaštitu daje sintetičko ulje Vanguard® 15W-50.



B	10W-30 - Upotreba ulja 10W-30 na temperaturi iznad 80 °F (27 °C) može povećati potrošnju ulja. Često provjeravajte razinu ulja.
C	5W-30
D	Sintetičko ulje 5W-30
E	Vanguard® sintetičko ulje 15W-50

Sustav zaštite od preniske razine ulje (ako je ugrađen)

Na neke motore je ugrađen indikator niske razine ulja. Ako je razina ulja niska, indikator (osjetnik) će pokazati upozoravajuće svjetlo ili zaustaviti rad motora. Zaustavite motor i napravite ove korake prije pokretanja motora.

- Pazite da motor bude u vodoravnom položaju.
- Provjerite razinu ulja. Pogledajte odjeljak **Provjera razine ulja**.
- Ako je razina ulja niska, ulijte odgovarajuću količinu ulja. Pokrenite motor i pazite da lampica upozorenja (ako je ugrađena) ne svijetli.
- Ako razina ulja nije niska, nemojte pokretati motor. Kontaktirajte ovlaštenog servisera Briggs & Stratton kako bi ispravio problem s uljem.

Preporučena goriva

Gorivo mora zadovoljiti ove zahtjeve:

- Čist, svjež bezolovni benzin.
- Najmanje 87 oktana / 87 AKI (91 RON). Uporaba na velikoj nadmorskoj visini, vidi dolje.
- Dozvoljen je benzin s najviše 10% etanola (gazohol).

OPASKA

Nemojte rabiti neodobrene benzine, primjerice, E15 i E85. Ne miješajte ulje i benzin te ne mijenjajte motor kako bi ga pokretala alternativna goriva. Upotreba neodobrenih goriva može dovesti do oštećenja dijelova motora, koji se neće popraviti u okviru jamstva.

Za zaštitu sustava dovoda goriva od stvaranja gume i korozije, pomiješajte stabilizator goriva koji ne sadrži alkohol i etanol s gorivom. Pogledajte odjeljak **Pohrana**. Nisu sva goriva jednaka. Ako dođe do problema prilikom paljenja ili rada, promijenite dobavljača goriva ili robnu marku goriva. Ovaj motor je certificiran za rad na benzinu. Sustav kontrole emisija za motore s rasplinjačem je EM (preinake motora). Sustavi kontrole emisija za motore s elektroničkim ubrizgavanjem goriva su ECM (upravljački modul motora), MPI (ubrizgavanje u više točaka), TBI (ubrizgavanje putem kucišta prigušne zaklopke) i O2S (lambda sonda), ako je motor njome opremljen.

Velika nadmorska visina

Na visinama iznad 5.000 stopa (1524 metra) dozvoljen je benzin s minimalno 85 oktana / 85 AKI (89 RON).

Za motore koji su karburirani, nužno je izvršiti podešavanje za visoke nadmorske visine kako bi se zadržale performanse. Rad bez ovih podešavanja izazvat će smanjenje performansi, povećat će potrošnju goriva i emisiju plinova. Za više informacija o podešavanju na velikim nadmorskim visinama kontaktirajte ovlaštenog zastupnika tvrtke Briggs & Stratton. Na nadmorskim visinama ispod 2500 stopa (762 metra) ne preporučuje se rad s podešavanjima za visoke nadmorske visine.

Za motore s elektroničkim ubrizgavanjem goriva (EFI) nije potrebno podešavanje za visoke nadmorske visine.

Dolijte ulje



UPOZORENJE

Gorivo i njegove pare su zapaljivi i eksplozivni. Požar ili eksplozija mogu uzrokovati opekline ili smrt.

Kad dodajete ulje

- Zaustavite motor. Prije uklanjanja čepa za gorivo, pričekajte najmanje dvije (2) minute kako biste se uvjerali da je motor hladan.
 - Spremnik za gorivo punite vani ili u području s dobrim protokom zraka.
 - Nemojte ulijevati previše goriva u spremnik. Radi ekspanzije goriva, ne punite spremnik iznad donjeg dijela grla spremnika za gorivo.
 - Gorivo držite podalje od iskri, otvorenog plamena, plinskog plamena, topline ili drugih izvora zapaljenja.
 - Često ispitajte cijevi za gorivo, spremnik za gorivo, čep za ulje, i spojeve na pukotine ili curenje. Zamijenite oštećene dijelove.
 - Ako se gorivo prolje, pričekajte dok se ne osuši prije pokretanja motora.
1. Očistite nečistoće i ostatke s površine čepa spremnika za gorivo. Uklonite čep spremnika za gorivo.
 2. Spremnik za gorivo (A, slika 17) napunite gorivom. Budući da će gorivo expandirati, ne punite spremnik iznad donjeg dijela grla spremnika za gorivo (B).
 3. Vratite čep spremnika za gorivo.

- | | |
|---|---|
| A | SAE 30 - Upotreba ulja SAE 30 na temperaturi ispod 40 °F (4 °C) izazvat će teškoće s pokretanjem. |
|---|---|

Pokretanje motora



UPOZORENJE

OPASNOST OD OTROVNOG PLINA. Ispušni plinovi motora sadrže ugljični monoksid, otrovni plin koji vas može usmrtniti za nekoliko minuta. Iako ne osjećate miris ispušnih plinova, ipak možete biti izloženi opasnom ugljičnom monoksidu. Ako osjećate mučninu, vrtoglavicu ili slabost kada koristite ovaj proizvod, ODMAH izađite na svježi zrak. Potražite pomoć liječnika. Možda ste se otrovali ugljičnim monoksidom.

- Plin ugljični monoksid skuplja se u prostorima u kojima borave ljudi. Da biste smanjili opasnost od nakupljanja ugljičnog monoksida, ovaj proizvod koristite ISKLJUČIVO na otvorenom, na velikoj udaljenosti od prozora, vrata i ventilacijskih otvora.
- Montirajte detektore (alarme) ugljičnog monoksida pokretane baterijom ili utični detektor (alarm) ugljičnog monoksida s baterijom kao što je navedeno u uputama proizvođača. Detektori dima ne mogu osjetiti prisutnost ugljičnog monoksida.
- NE rukujte ovim proizvodom u kućama, garažama, podrumima, u skućenim prostorima, ostavama ili drugim djelomično zatvorenim prostorima čak i ako koristite ventilatore ili držite otvorena vrata i prozore radi ventilacije. Nakon upravljanja ovim proizvodom, ugljični monoksid se može brzo nakupiti u ovim prostorima i ostati tamo satima.
- Proizvod UVIJEK stavljajte niz vjetar i usmjerite ispuh motora dalje od mjesta u kojemu borave ljudi.



UPOZORENJE

Gorivo i njegove pare su zapaljivi i eksplozivni. Požar ili eksplozija mogu uzrokovati opekline ili smrt.

Prilikom pokretanja motora

- Provjerite jesu li svjećica, prigušivač, čep spremnika za gorivo i filter zraka (ako je ugrađen) ispravno postavljeni.
- Ne pokušavajte pokrenuti motor okretanjem ako je svjećica izvađena.
- Ako je motor potopljen, postavite čok (ako je ugrađen) u položaj OTVORENO ili RAD. Čok prebacite (ako je ugrađen) u položaj BRZO, i verglajte sve dok se motor ne pokrene.
- Ako je prisutno ispuštanje prirodnog plina ili ukapljenog naftnog plina u području rada, tada ne pokrećite motor.
- Budući da su pare zapaljive, ne koristite tekućine za pokretanje pod tlakom.



UPOZORENJE

Dijelovi koji se vrte mogu zahvatiti ruke, noge, kosu, odjeću ili pomagala, i uzrokovati traumatsku amputaciju ili otvorene ozljede.

- Rukujte opremom s pravilno postavljenim štitnicima.
- Ruke i noge držite podalje od rotirajućih dijelova.
- Skinite nakit i pazite da duga kosa bude udaljena od svih okretnih dijelova.
- Ne nosite labavu odjeću ili predmete koji bi mogli biti zahvaćeni.



UPOZORENJE

Brzo vraćanje konopca za pokretanje (povratni udarac) povući će vašu šaku i ruku ka motoru brže no što ga možete ispustiti. Posljedica može biti lom kostiju, frakture, modrice ili uganuće.

- Kako biste spriječili povratni udarac kod pokretanja motora, lagano povucite konop za pokretanje dok ne osjetite otpor i zatim naglo povucite.
- Prije pokretanja motora uklonite sva vanjska opterećenja opreme/motora.
- Provjerite jesu li izravno spojeni dijelovi opreme poput, ali ne i isključivo, oštrica noževa, krilaca, remenica, lančanika, pravilno pričvršćeni.

NAPOMENA: Vaša oprema bi mogla imati daljinsko upravljanje. Lokaciju i način korištenja daljinskog upravljanja potražite u priručniku opreme.

1. Provjerite motorno ulje. Pogledajte odjeljak **Provjera razine ulja**.
2. Ako su ugrađeni, provjerite jesu li regulatori pogona isključeni.
3. Pomaknite ručicu regulatora gasa / TransportGuard® (A, slika 18), ako je ugrađena, u položaj BRZO ili RAD. Pokrenite motor s gasom u položaju BRZO ili RAD.
4. Postavite regulator čoka (B, slika 18) u položaj ZATVORENO.

Čok je obično nepotreban kad palite topli motor.

5. **Ručni pokretač, ako je ugrađen:** Čvrsto držite ručku užeta za pokretanje (C, slika 18). Polagano povlačite dršku kabla pokretača dok ne osjetite otpor, a zatim je povucite brzo.



UPOZORENJE

Brzo vraćanje konopca za pokretanje (povratni udarac) povući će vašu šaku i ruku ka motoru brže no što ga možete ispustiti. Posljedica može biti lom kostiju, frakture, modrice ili uganuće.

- Kako biste spriječili povratni udarac kod pokretanja motora, lagano povucite konop za pokretanje dok ne osjetite otpor i zatim naglo povucite.
- Prije pokretanja motora uklonite sva vanjska opterećenja opreme/motora.
- Provjerite jesu li izravno spojeni dijelovi opreme poput, ali ne i isključivo, oštrica noževa, krilaca, remenica, lančanika, pravilno pričvršćeni.

6. **Elektropokretač, ako je ugrađen:** Okrenite sklopku za električno pokretanje (D, slika 18) u položaj POKRENI.

OPASKA

Za produženje vijeka trajanja pokretača koristite kratke cikluse pokretanja (najviše pet sekundi). Pričekajte jednu minutu između ciklusa pokretanja.

7. Kada se motor zagrije, okrenite regulator čoka (B, slika 18) u položaj OTVORENO.

Ako se motor ne pokrene ni nakon 2 ili 3 pokušaja, obratite se svom lokalnom zastupniku ili idite na vanguardpower.com ili nazovite 1-800-999-9333 (u SAD-u).

Zaustavite motor



UPOZORENJE

Gorivo i njegove pare su zapaljivi i eksplozivni. Požar ili eksplozija mogu uzrokovati opekline ili smrt.

- Motor nemojte zaustavljati gušenjem rasplinjača (ako je ugrađen).

Regulator gasa / TransportGuard®: Pomaknite ručicu regulatora gasa / TransportGuard® (A, slika 19) u položaj ISKLJUČENO ili ZAUSTAVI.

NAPOMENA: Kada je regulator gasa / TransportGuard® (A, slika 19) u položaju ISKLJUČENO ili ZAUSTAVLJENO, ventil za gorivo je u položaju ISKLJUČENO. Uvijek podesite regulator gasa / TransportGuard® u položaj ISKLJUČENO ili ZAUSTAVLJENO, pri transportu opreme.

NAPOMENA: Ključ (D, slika 19) ne zaustavlja motor. Njime se SAMO pokreće motor. Uvijek izvadite ključ (D) i pohranite ga na sigurnom mjestu izvan dohvata djece.

Održavanje

Podaci o održavanju



UPOZORENJE

Gorivo i njegove pare su zapaljivi i eksplozivni. Požar ili eksplozija mogu uzrokovati opekline ili smrt.

Ako je tijekom održavanja potrebno nagnuti uređaj, pazite da spremnik za gorivo (ako je ugrađen na motor) bude prazan i da je strana sa svjećicom okrenuta prema gore. Ako spremnik za gorivo nije prazan, može doći do curenja, a posljedično i do požara ili eksplozije. Ako se motor nagne u drugom smjeru, neće se lako pokrenuti zbog onečišćenja filtra zraka ili svjećice uljem ili gorivom.



UPOZORENJE

Slučajna iskra motora može izazvati strujni udar, požar ili eksploziju, te može doći do zaplitanja, traumatske amputacije ili otvorene ozljede.

Prije nego što izvršite podešavanja ili popravke:

- Odvojite sve kabele svjećica i držite ih podalje od svjećica.
- Odspojite kabel akumulatora na negativnom priključku akumulatora (samo za motore s električnim pokretanjem).
- Koristite samo odgovarajuće alate.

Kad provjeravate ima li iskrenja:

- Koristite odobreni ispitivač svjećica.
- Ne provjeravajte ima li iskrenja kada je svjećica uklonjena.



UPOZORENJE

Zamjenski dijelovi moraju biti jednakog dizajna kao originalni i moraju se postaviti na isto mjesto kao i originalni dijelovi. Drugi dijelovi se pak mogu pokvariti ili uzrokovati ozljedu.

OPASKA

Svi sastavni dijelovi moraju biti na svom mjestu kako bi ovaj motor radio ispravno.

Obratite se ovlaštenom serviseru tvrtke Briggs & Stratton za održavanje i servis motora i dijelova motora.

Servis sustava za kontrolu emisija

Za održavanje, zamjenu ili popravak uređaja i sustava za kontrolu emisija, obratite se stručnoj radionici ili osobi koja se bavi popravcima malih motora. Ipak, za „besplatan“ servis sustava za kontrolu emisije radove mora obaviti ovlašteno servisno tvornice. Pogledajte izvještaje o kontroli emisije.

Plan održavanja

Nakon prvih 5 sati rada
<ul style="list-style-type: none">Zamijenite ulje.
U razmacima od 8 sati ili dnevno
<ul style="list-style-type: none">Provjerite razinu ulja u motoru.Očistite područje oko prigušivača i kontrola upravljanja.Očistite rešetku na usisu zraka.
U razmacima od 100 sati ili godišnje
<ul style="list-style-type: none">Servisirajte ispušni sustav.Zamjena ulja u reduktoru (ako je ugrađen).
U razmacima od 200 sati ili godišnje
<ul style="list-style-type: none">Zamijenite ulje u motoru.Očistite filtar zraka¹
U razmacima od 600 sati ili 3 godine
<ul style="list-style-type: none">Zamijenite filtar zraka.
Jednom godišnje
<ul style="list-style-type: none">Zamijenite svjećicu.Servisirajte sustav za gorivo.Servisirajte sustav hlađenja zrakom¹.Provjerite zazor ventila².

¹Čistite češće u prašnjavim uvjetima ili kad u zraku ima mnogo čestica.

²Nije neophodno, osim ako se pojave problemi s motorom.

Rasplinjač i brzina vrtnje motora

Nikad ne radite podešavanja na rasplinjaču, opruzi regulatora, polužuju ili drugim dijelovima radi podešavanja brzine motora. Ako su potrebna bilo kakva podešavanja, obratite se ovlaštenom servisnom centru Briggs & Stratton za servis.

OPASKA

Proizvođač opreme propisuje maksimalnu brzinu vrtnje motora koji je montiran na opremi. Nemojte prekoračiti ovu brzinu. Ako niste sigurni kolika je maksimalna brzina vrtnje opreme ili na koju je brzinu vrtnje motor podešen u tvornici, obratite se ovlaštenom servisnom centru Briggs & Stratton radi pomoći. Kako bi se osigurao siguran i pravilan rad opreme, brzinu vrtnje smije podešavati samo kvalificirani serviser.

Servisiranje svjeće

Razmak elektroda (A, slika 20) provjerite žičanim mjeračem (B). Ako je potrebno, podesite zazor svjeće. Montirajte svjećicu i pritegnite je odgovarajućim momentom. Informacije o potrebnom zazoru i momentu potražite u odjeljku **Tehnički podaci**.

Servisiranje ispušnog i rashladnog sustava



UPOZORENJE

Tijekom rada, motor i prigušivač postaju vrući. Ako dodirujete vrući motor, može doći do opekline.

Zapaljivi materijali, poput lišća, trave, grmlja mogu se zapaliti.

- Prije nego dodirnete motor ili prigušivač, zaustavite motor i pričekajte dvije (2) minute. Provjerite jesu li motor i prigušivač sigurni za dodirivanje.
- Odstranite ostatke s prigušivača i motora.

Uporaba ili rukovanje motorom na bilo kojem zemljištu prekrivenom šumom, grmljem ili travom smatra se kršenjem kalifornijskog zakona o javnim resursima dio 4442

(California Public Resource Code Section 4442), osim ako ispušni sustav nije opremljen hvatačem iskri kao što je to definirano u dijelu 4442 gornjeg zakona, koji treba održavati u dobrom radnom stanju. Druge države ili federalna zakonodavstva mogu imati slične zakone, pogledajte zadovoljavaju li zahtjeve američkih saveznih propisa 36 CFR dio 261.52. Kontaktirajte proizvođača originalne opreme, trgovca ili zastupnika i pribavite hvatač iskri osmišljen za ispušni sustav postavljen na ovom motoru.

Ovo je motor sa zračnim hlađenjem. Prijavština i nečistoće mogu spriječiti protok zraka i izazvati pregrijavanje motora. To rezultira nezadovoljavajućim radom i kraćim vijekom trajanja motora. Na rebrima cilindra hladnjaka može se nakupiti neželjeni materijal koji se ne može ukloniti bez djelomičnog rastavljanja motora. Osigurajte da ovlaštenu servisnu tvrtku Briggs & Stratton pregleda i očisti sustav zračnog hlađenja. Pogledajte **Raspored održavanja**.

- Pazite da oko i iza prigušivača nema nikakvih zapaljivih materijala.
- Četkom ili suhom krpom odstranite neželjene materijale sa kućišta ventilatora, prigušivača i iz područja prigušivača. NE čistite motor vodom.
- Pazite da polužje, opruge i regulatori budu čisti.
- Pregledajte da na prigušivaču nema pukotina, korozije ili drugih oštećenja.
- Skinite deflektor ili hvatač iskre, ako je ugrađen i pregledajte da nema oštećenja ili začepjenosti ugljičnim naslagama. Obvezno očistite i montirajte zamjenske dijelove prije rukovanja opremom.
- Ako postoje, pazite da su rebra hladnjaka ulja čista.

Zamjena motornog ulja



UPOZORENJE

Gorivo i njegove pare su zapaljivi i eksplozivni. Požar ili eksplozija mogu uzrokovati opekline ili smrt.

Tijekom rada, motor i prigušivač postaju vrući. Ako dodirujete vrući motor, može doći do opekline.

- Ako ulje praznite kroz gornju cijev za dolijevanje ulja, spremnik za gorivo mora biti prazan. Ako nije prazan, može doći do curenja goriva i može uzrokovati požar ili eksploziju.
- Prije nego dodirnete motor ili prigušivač, zaustavite motor i pričekajte dvije (2) minute. Provjerite jesu li motor i prigušivač sigurni za dodirivanje.

Iskorišteno ulje opasan je otpad i mora se odbaciti na pravilan način. Ne bacajte u kućni otpad. Obratite se mjesnim vlastima, servisnom centru ili prodavatelju za sigurno odlaganje ili reciklažu.

Za modele **Just Check & Add™** nije potrebno mijenjati ulje. Ako je zamjena ulja neophodna, pogledajte postupak koji slijedi.

Ispuštanje ulja

- Kad je motor isključen, ali je još uvijek topao, odvojite žice svjeće (D, slika 21) i odložite ih dalje od svjeće(a) (E).
- Izvadite štapić za mjerenje razine ulja (A, slika 22).
- Ovaj motor ima dva čepa za odvod ulja (H, F, slika 23). Uklonite čep za ispuštanje ulja (H, F). Ulje ispuštite u odgovarajuću posudu.
- Vratite i zategnite čep za ispuštanje ulja (H, F, slika 23).

Dolijevanje ulja

- Pazite da motor bude u vodoravnom položaju.
- Iz područja za ulijevanje goriva odstranite sav neželjeni materijal.
- Pogledajte odjeljak **Tehnički podaci** za količinu ulja.

- Izvadite mjernu šipku. Pogledajte odjeljak **Ispuštanje ulja**.
- Polako dodajte ulje u otvor za ulijevanje motornog ulja (C, G, slika 24). Nemojte uliti previše ulja.
- Pričekajte jednu minutu zatim provjerite razinu ulja.
- Vratite mjernu šipku na mjesto.
- Izvadite štapić za mjerenje razine ulja i provjerite razinu ulja. Propisana razina ulja nalazi se na gornjem dijelu pokazatelja napunjenosti na štapiću za mjerenje razine ulja. Pogledajte odjeljak **Provjera razine ulja**.
- Vratite štapić za mjerenje razine ulja na mjesto i stegnite ga.
- Spojite kabel svjeće na svjećicu(e). Pogledajte odjeljak **Ispuštanje ulja**.

Promjena ulja u reduktoru

Neki motori opremljeni su s jedinicom reduktora. Ako postoji, u nastavku pogledajte korake za jednu od jedinica reduktora.

Lančani reduktor 2:1

Ako motor ima zupčasti reduktor 2:1 (G, slika 25), tada ne treba mijenjati ulje. Ulje u motoru također podmazuje lančani reduktor.

Reduktor uljne spojke 2:1

Ako je motor opremljen zupčastim reduktorom 2:1, poduzmite sljedeće korake:

1. Izvadite štapić za mjerenje razine ulja (A, slika 26).
2. Skinite čep za ispuštanje ulja (B, slika 26) i ispuštite ulje u prikladni spremnik.
3. Vratite i stegnite čep za ispuštanje ulja (B, slika 26).
4. Polako ulijevajte ulje u otvor za ulijevanje ulja (C, slika 26). Pogledajte odjeljak **Tehnički podaci**.
5. Montirajte mjernu šipku (A, slika 26).
6. Izvadite štapić za mjerenje razine ulja (A, slika 26) i provjerite razinu ulja. Propisana razina ulja nalazi se na gornjem dijelu indikatora napunjenosti (D) na štapiću za mjerenje razine ulja.
7. Montirajte mjernu šipku (A, slika 26).

Zupčasti reduktor 6:1

Ako je motor opremljen zupčastim reduktorom 6:1, poduzmite sljedeće korake:

1. Skinite čep za ulijevanje ulja (A, slika 27) i čep za provjeru razine ulja (B).
2. Skinite čep za ispuštanje ulja (B, slika 27). Ispustite ulje u prikladni spremnik.
3. Vratite i stegnite čep za ispuštanje ulja (C, slika 27).
4. Lagano dodajte ulje za zupčasti reduktor (80W-90) u otvor za dodavanje ulja (D, slika 27). Nastavite dodavati ulje za zupčasti reduktor (80W-90) dok ulj ene dođe do razine otvora za ulje (E).
5. Vratite i stegnite čep za provjeru razine ulja (B, slika 27).
6. Vratite i stegnite čep za ulijevanje ulja (A, slika 27).

NAPOMENA: Čep za ulijevanje ulja (A, slika 27) na sebi ima otvor za odzračivanje (F) i mora se postaviti na gornjem dijelu kućišta sa zupčanicima.

Servisiranje filtra za zrak

UPOZORENJE

Pare goriva su zapaljive i eksplozivne. Požar ili eksplozija mogu uzrokovati opekline ili smrt.

- Ne pokrećite ili ne rukujte motorom kada je uklonjen sklop pročištača zraka (ako je ugrađen) ili zračni filtar (ako je ugrađen).

OPASKA

Za čišćenje filtra ne upotrebljavajte stlačeni zrak ili otapala. Komprimirani zrak može dovesti do oštećenja filtra, a otapala ga mogu rastvoriti.

Pogledajte **Plan održavanja** radi utvrđivanja potrebnih servisa.

Različiti modeli će upotrebljavati spužvasti ili papirnat filtar. Neki modeli mogu biti opremljeni i predfiltrim koji se može oprati i ponovo koristiti. Usporedite slike u ovom priručniku s tipom koji je montiran na motoru i servisirajte ga prema uputama.

Papirnat zračni filtar

1. Otpustite pritezač(e) (C, slika 28).
2. Skinite poklopac (A, slika 28) i filtar (B).
3. Olabavite otpatke tako da lagano kucnete filtrom zraka (B, slika 28) o tvrdu površinu. Ako je filtar pretjerano zaprljan, zamijenite ga novim filtrom.
4. Postavite filtar (B, slika 28).
5. Montirajte poklopac (A, slika 28) pomoću pritezača (C). Provjerite je(su) li kopč(a)e dobro zategnuta(e).

Papirnat zračni filtar - niskoprofilni

1. Pomaknite zasun (A, slika 29) da otkvačite poklopac (C).
2. Utisnite jezičce (B, slika 29) i skinite poklopac (C).
3. Skinite filtar (D, slika 29).
4. Olabavite otpatke tako da lagano kucnete filtrom zraka (D, slika 29) o tvrdu površinu. Ako je filtar pretjerano zaprljan, zamijenite ga novim filtrom.
5. Montirajte filtar (D, slika 29).
6. Postavite poklopac (C, slika 29). Pomaknite zasun (A) u zaključani položaj.

NAPOMENA: Provjerite nalijeganje spužvaste brtve (E, slika 29). Pripazite da obod spužvaste brtve pravilno naliježe u kanal (F).

Servisiranje sustava za gorivo

UPOZORENJE

Gorivo i njegove pare su zapaljivi i eksplozivni. Požar ili eksplozija mogu uzrokovati opekline ili smrt.

- Gorivo držite podalje od iskri, otvorenog plamena, plinskog plamena, topline ili drugih izvora zapaljenja.
- Često ispitujte cijevi za gorivo, spremnik za gorivo, čep za ulje, i spojeve na pukotine ili curenje. Zamijenite oštećene dijelove.
- Ako se gorivo prolje, pričekajte dok se ne osuši prije pokretanja motora.

Mrežica filtra za gorivo, ako je ugrađena

1. Skinite čep za ulijevanje goriva (A, slika 30).
2. Skinite mrežicu filtra za gorivo (B, slika 30).
3. Ako je mrežica filtra za gorivo zaprljana, očistite je ili zamijenite. Ako vršite zamjenu mrežice filtra za gorivo, pobrinite se da upotrijebite originalnu zamjensku mrežicu.

Skladištenje

Sustav dovoda goriva

Pogledajte sliku: 31.

UPOZORENJE

Gorivo i njegove pare su zapaljivi i eksplozivni. Požar ili eksplozija mogu uzrokovati opekline ili smrt.

Skladištenje goriva

- Budući da žišci ili drugi izvori paljenja mogu izazvati eksploziju, gorivo ili opremu držite dalje od peći, štednjaka, grijača vode (bojlera) i drugih uređaja koji imaju žiške.

Motor držite u vodoravnom položaju (normalni radni položaj). Spremnik za gorivo (A, slika 31) napunite gorivom. Zbog ekspanzije goriva, ne puniti spremnik iznad donjeg dijela dna grla spremnika za gorivo (B).

Gorivo može postati ustajalo ako se čuva u spremniku duže od 30 dana. Preporučuje se uporaba stabilizatora goriva bez alkohola i etanola u spremniku za gorivo radi održavanja svježine goriva.

Kad puniti spremnik gorivom, dodajte stabilizator goriva bez alkohola kako je navedeno u uputama proizvođača. Ako benzin u motoru nije tretiran stabilizatorom goriva, mora se ispuštiti u odobrenu posudu. Rukujte motorom dok ne ponestane goriva.

Motorno ulje

Promijenite motorno ulje dok je motor još topao. Pogledajte dio **Provjera i dolijevanje motornog ulja**.

Rješavanje problema

Pomoć

Za pomoć se obratite lokalnom zastupniku ili idite na **BRIGGSandSTRATTON.COM** ili nazovite **1-800-444-7774** (u SAD-u).

Tehnički podaci i servisni dijelovi

Tehnički podaci	Model: 10V000	Model: 12V000
Radni volumen	10.313 ci (169 cm ³)	12.387 ci (203 cm ³)
Provrta	2.44 in (62 mm)	2.677 in (68 mm)
Hod klipa	2.204 in (56 mm)	2.204 in (56 mm)
Kapacitet spremnika ulja	18 - 20 oz (,54 - ,59 L)	18 - 20 oz (,54 - ,59 L)
Reduktor uljne spojke 2:1 - vrsta ulja	10W-30	10W-30
Reduktor uljne spojke 2:1 - kapacitet ulja	10 oz (,30 L)	10 oz (,30 L)
Zupčasti reduktor 6:1 - vrsta ulja	80W-90	80W-90
Zupčasti reduktor 6:1 - kapacitet ulja	4 oz (12 L)	4 oz (12 L)
Zazor svječice	.030 in (,76 mm)	.030 in (,76 mm)
Zatezni moment svječice	180 lb-in (20 Nm)	180 lb-in (20 Nm)
Zazor rotora	.010 - .013 in (,25 - ,35 mm)	.010 - .013 in (,25 - ,35 mm)

Tehnički podaci	Model: 10V000	Model: 12V000
Zazor usisnog ventila	.004 - .006 in (,10 - ,15 mm)	.004 - .006 in (,10 - ,15 mm)
Zazor ispušnog ventila	.005 - .007 in (,15 - ,20 mm)	.005 - .007 in (,15 - ,20 mm)

Tehnički podaci	Model: 25V000
Radni volumen	24.898 ci (408 cm ³)
Provrt	3.465 in (88 mm)
Hod klipa	2.638 in (67 mm)
Vijak nosača kabela	30 lb-in (3,4 Nm)
Vijak držača sajle	25 lb-in (2,8 Nm)
Kapacitet spremnika ulja	18 - 20 oz (,54 - ,59 L)
Zazor svjeće	.030 in (,76 mm)
Zatezni moment svjeće	180 lb-in (20 Nm)
Zazor rotora	.010 - .013 in (,25 - ,35 mm)
Zazor usisnog ventila	.004 - .006 in (,10 - ,15 mm)
Zazor ispušnog ventila	.005 - .007 in (,15 - ,20 mm)

Snaga motora smanjit će se za 3,5 % na svakih 1000 stopa (300 metara) nadmorske visine i za 1 % na svakih 10 °F (5,6 °C) iznad 77 °F (25 °C). Motor će raditi na zadovoljavajući način pod kutom od najviše 30°. Podatke o dopuštenim ograničenjima za siguran rad na kosinama potražite u korisničkom priručniku.

Servisni dijelovi

Za kupnju Briggs & Stratton servisnih dijelova, pronađite ovlaštenog servisera na adresi BRIGGSandSTRATTON.COM. Bit će vam potreban identifikacijski broj (model - vrsta - podešavanje). Pogledajte odjeljak **Funkcije i upravljanje** za upute o pronalaganju identifikacijskog broja.

Vrijednosti snage

Vrijednost bruto snage za pojedinačne modele benzinskih motora označena je u skladu s kodeksom J1940 Postupak određivanja snage i zakretnog momenta za male motore društva SAE (Society of Automotive Engineers) i određuje se u skladu s kodeksom SAE J1995. Vrijednosti okretnog momenta dobivene su pri 2600 o/min za one motore gdje su vrijednosti za „o/min“ istaknute na naljepnici, a pri 3060 o/min za ostale; vrijednosti snage motora dobivene su pri 3600 o/min. Krivulje bruto snage mogu se vidjeti na www.BRIGGSandSTRATTON.COM. Neto vrijednosti snage dobivene su uz postavljenu ispušnu cijev i filter zraka dok su bruto vrijednosti snage dobivene bez ovih priključaka. Stvarna bruto snaga motora bit će viša od neto snage i na nju, između ostalog, utječu radni uvjeti u okolini i razlike između motora. S obzirom na široki asortiman proizvoda u koje su ugrađeni naši motori, benzinski motor možda neće moći razviti nazivnu bruto snagu prilikom korištenja na određenom radnom stroju. Ova razlika nastaje zbog različitih čimbenika koji - bez ograničenja - uključuju različite dijelove motora (filter zraka, ispušna cijev, punjenje, hlađenje, rasplinjač, pumpa za gorivo, itd.), ograničenja u primjeni, uvjeti u radnom okruženju (temperatura, vlažnost zraka, nadmorska visina) i razlike između motora. Zbog ograničenja u proizvodnji i kapacitetima, tvrtka Briggs & Stratton može izvršiti zamjenu nekog motora više nominalne snage ovim motorom.

Jamstvo

Jamstvo za motor Briggs & Stratton®

Stupa na snagu u kolovozu 2022.

Ograničeno jamstvo

Tvrtka Briggs & Stratton jamči da će, u dolje navedenom jamstvenom razdoblju, besplatno popraviti ili zamijeniti bilo koji manjkavi dio uslijed nedostataka u materijalu i/ili izradi, novim, obnovljenim ili ponovno proizvedenim dijelom prema vlastitom nahođenju. Troškove prijevoza proizvoda poslanog na popravak ili zamjenu u smislu ovog jamstva mora snositi kupac. Ovo jamstvo vrijedi unutar dolje navedenog vremenskog razdoblja i pod dolje navedenim uvjetima. Za servis obuhvaćen jamstvom potražite najbliži ovlašten servis pomoću karte lokatora servisa na adresi BRIGGSandSTRATTON.COM. Kupac se mora obratiti ovlaštenom servisu te dostaviti proizvod radi pregleda i provjere.

Ne postoje druga izričita jamstva. Implicirana jamstva, uključujući utrvost i prikladnost za određenu svrhu ograničena su na jednu godinu od kupnje ili u obimu dopuštenom zakonom. Isključena su sva ostala implicirana jamstva. Odgovornost za slučajnu ili posljedniču štetu je isključena u opsegu dozvoljenom zakonom. U nekim državama ili zemljama nije dozvoljeno ograničenje impliciranog jamstva, a neke države ili zemlje ne dozvoljavaju ograničenje ili izuzeće slučajnih ili posljedničnih šteta stoga se gornja ograničenja ili izuzeća možda neće odnositi na vas. Ovo jamstvo pruža vam određena zakonska prava, a ostala prava, koja možda imate, razlikuju se od države do države.

Uvjeti standardnog jamstva^{1, 2}

Vanguard®; komercijalna serija

Privatna uporaba - 36 mjeseci

Komercijalna uporaba - 36 mjeseci

Serija XR

Privatna uporaba - 24 mjeseca

Komercijalna uporaba - 24 mjeseca

Svi drugi motori Briggs & Stratton koje karakterizira Dura-Boret košuljica od lijevanog željeza

Privatna uporaba - 24 mjeseca

Komercijalna uporaba - 12 mjeseci

Svi ostali motori

Privatna uporaba - 24 mjeseca

Komercijalna uporaba - 3 mjeseca

¹ Ovo su naši standardni uvjeti jamstva, no ponekad može postojati obuhvaćenost jamstvom koja nije bila definirana u vrijeme objave ovog materijala. Popis trenutnih jamstvenih uvjeta potražite na adresi BRIGGSandSTRATTON.com ili kontaktirajte ovlaštenog servisera tvrtke Briggs & Stratton.

² Jamstvo ne vrijedi za motore na opremi koja se koristi kao primarni izvor napajanja umjesto mrežnog napajanja, za pričuvne generatore koji se upotrebljavaju za komercijalne svrhe, komercijalna vozila čija brzina prelazi 25 MPH (milja/h), kao ni za motore koji se koriste za natjecanja, u komercijalne svrhe ili za iznajmljivanje.

* U Australiji - naši su proizvođači obuhvaćeni jamstvima koja ne mogu biti izuzeta iz australskog zakona o potrošačima. Imate pravo na zamjenu ili povrat novca u slučaju velikog kvara te na odštetu u slučaju bilo kakvog razumno predviđivog gubitka ili oštećenja. Također, imate pravo na popravak proizvoda ili zamjenu proizvoda ako njegova kvaliteta nije na prihvatljivoj razini i ako kvar nije velik. Usluge popravka obuhvaćene jamstvom ostvarit ćete u najbližem ovlaštenom serviseru kojega možete pronaći na mapi lokatora servisa na stranici BRIGGSandSTRATTON.COM, pozivom na broj 1300 274 447 ili slanjem poruke e-pošte na adresu salesenquiries@briggsandstratton.com.au, Briggs & Stratton Australia Pty Ltd, 1 Moorebank Avenue, Moorebank, NSW, Australia, 2170.

Jamstveno razdoblje počinje danom kupnje prvog korisnika ili komercijalnog krajnjeg korisnika i traje do isteka razdoblja naznačenog u gornjoj tablici. Korišten u ovoj polici, izraz „privatna uporaba“ označava uporabu od strane prvog vlasnika u vlastitom kućanstvu. „Komercijalna uporaba“ označava sve ostale uporabe, uključujući uporabu u komercijalne svrhe radi ostvarivanja zarade ili iznajmljivanja. Kada se motor jednom upotrijebi u komercijalne svrhe, za potrebe ovog jamstva smatra se motorom u komercijalnoj uporabi.

Nije potrebna nikakva registracija jamstva kako biste ostvarili jamstvo za proizvode tvrtke Briggs & Stratton. Sačuvajte račun kao dokaz kupnje. Ako prilikom traženja usluge popravka u jamstvenom razdoblju ne predočite dokaz o datumu prve kupnje, jamstveno razdoblje utvrdit će se sukladno datumu proizvodnje.

Više o vašem jamstvu

Ovo ograničeno jamstvo obuhvaća samo greške u materijalu i/ili izradi motora, a ne zamjenu ili naknadu opreme na koju je motor postavljen. Redovito održavanje, podešavanje, prilagodbe i normalno habanje nisu pokriveni ovim jamstvom. Također, jamstvo ne vrijedi ako je motor izmijenjen ili modificiran ili ako je serijski broj nečistak ili uklonjen. Ovim jamstvom nisu obuhvaćena oštećenja motora ili problemi u radu koje su izazvali:

1. uporaba dijelova koji nisu Briggs & Stratton
2. rad motora s nedovoljnom količinom ulja ili s onečišćenim uljem ili s uljem za podmazivanje nedovoljne gradacije;
3. Uporaba onečišćenog ili ustajalog goriva, mješavine benzina s više od 10% etanola ili upotreba alternativnih goriva kao što je ukapljeni naftni ili prirodni plin u motorima koji izvorno nisu projektirani/izrađeni za rad s takvim gorivima u Briggs & Stratton;
4. Nečistoća koja je prodrla u motor zbog nepropisnog održavanja ili ponovne montaže;
5. udarac oštrice noža kosilice u neki tvrdi predmet na travnjaku koji se kosi, olabavljeni ili nepravilno postavljeni adapteri noža, rotora ili drugih elemenata spojenih na radiilicu ili prezategnutost klinastih remena;
6. Povezani dijelovi ili sklopovi poput spojki, prijenosa, upravljačkih dijelova uređaja itd., koje nije isporučila Briggs & Stratton;
7. pregrijavanje zbog nakupine pokošene trave, prljavštine i otpada, gnijezda glodavaca što može izazvati začepljenje rashladnih lamela ili područja zamašnjaka ili rad motora bez dovoljne ventilacije;
8. jaka vibracija zbog prekoračenja brzine, olabavljenih nosača motora, olabavljenih ili nebalansiranih noževa ili rotora ili nepropisnog načina povezivanja dijelova oprema na vratilo motora;

9. neprimjerena uporaba, pomanjkanje redovitog održavanja, otprema, rukovanje ili skladištenje opreme ili nepropisna montaža motora.

Popravak obuhvaćen jamstvom dostupan je samo u ovlaštenim servisima Briggs & Stratton. Pronađite najbližeg ovlaštenog servisera na mapi ovlaštenih servisera na BRIGGSandSTRATTON.COM ili nazovite 1-800-444-7774 (u SAD-u).

80114782 (izmjena A)

Not for
Reproduction

Általános információk



Ez az útmutató biztonsági tudnivalókat tartalmaz a motorhoz kapcsolódó veszélyekre és kockázatokra, illetve ezek elkerülési módjára vonatkozóan. A motor helyes karbantartására és használatára vonatkozó utasításokat is tartalmaz. Fontos, hogy elolvassa, megértse és betartsa ezeket az utasításokat. **Őrizze meg ezt a kézikönyvet későbbi tájékozódás céljából.**

MEGJEGYZÉS: Az útmutatóban található számok és ábrák csak tájékoztató jellegűek, és eltérhetnek az Ön tulajdonában lévő modelltől. Azokat az ábrákat használja, amelyek összhangban vannak a motor konfigurációjával. Ha szükséges, forduljon egy hivatalos szervizképviselőhöz.

Jegyezze fel a vásárlás dátumát, a motor modelljét, típusát, burkolatát és a motor sorozatszámát a pótalkatrészekhez. Ezek a számok a motoron találhatóak. Lásd a **Funkciók és kezelőszervek** szakaszt.

Vásárlás dátuma:	
Motor modell/típus/trim	
Motor sorozatszám	

Az európai iroda elérhetőségei

Ha az európai kibocsátásokkal kapcsolatos kérdései vannak, a következő címre írjon európai irodáinknak:

Max-Born-Straße 2, 68519 Viernheim, Németország.

Európai Unió (EU) V. (5) fázis: Szén-dioxid (CO₂) értékek

Írjon be CO₂-t a keresési ablakba a BriggsandStratton.com webhelyen a Briggs & Stratton EU típusjóváhagyás szerinti tanúsítványával rendelkező motorok szén-dioxidkibocsátási értékeinek megtalálásához.

A kezelő biztonsága

Biztonsági figyelmeztető jel és figyelmeztető szavak

A biztonsági riasztási szimbólum az esetleges személyi sérüléssel járó veszélyekre vonatkozó biztonsági tudnivalók jelzésére szolgál. A figyelmeztető szó (**VESZÉLY, FIGYELMEZTETÉS** vagy **VIGYÁZAT**) használatos annak jelzésére, hogy mekkora a lehetséges sérülés valószínűsége és súlyossága. Ezenkívül veszélyjelző szimbólumot is alkalmazunk a veszély típusának bemutatására.

VESZÉLY olyan veszélyre utal, mely, ha nem sikerül elkerülni, **akkor halált, vagy súlyos sérülést okoz.**

FIGYELMEZTETÉS olyan veszélyre utal, mely, ha nem sikerül elkerülni, **akkor halált, vagy komoly sérülést okozhat.**

VIGYÁZAT olyan veszélyre utal, amely, ha nem sikerül elkerülni, **kisebbségi vagy közepes sérülést okozhat.**

MEGJEGYZÉS Fontosnak minősülő, de nem veszéllyel kapcsolatos információra utal.

Figyelmeztető jelek és jelentésük

	Biztonsági információk a személyes sérülést okozni képes veszélyekkel kapcsolatban.		A készülék üzemeltetése vagy szervizelése előtt olvassa el és értse meg a használati útmutatót.
	Tűzveszély		Robbanásveszély
	Áramütés veszélye		Mérgező gázok veszélye
	Forró felület okozta veszély		Visszarúgás veszélye

	Amputáció veszélye – mozgó alkatrészek		Üzemanyagszint – maximális Ne töltse túl
--	--	--	---

Biztonsági üzenetek

FIGYELMEZTETÉS

A Briggs & Stratton motorjait nem a következő járművekhez tervezték és így nem is használhatók azok hajtására: szórakoztató kartok; gokartok; gyermek-, szabadidős vagy sportterepjárók (ATV-k); motorkerékpárok; légpárnás járművek; repülő járművek; vagy a Briggs & Stratton által nem szankcionált, versenyeken használt járművek. A versenytermékekre vonatkozó további tudnivalóért keresse fel a www.briggsracing.com webhelyet. Hasznójárművekben és side-by-side terepjárókban történő használat esetén forduljon a Briggs & Stratton motoralkalmazási központjához a következő telefonszámon: 1-866-927-3349. A motor helytelen használata súlyos sérüléseket vagy halálos balesetet okozhat.

Újrahasznosítási információk

		Minden karton, doboz, használt olaj és akkumulátor újrahasznosítható, a kormányzati rendelkezéseknek megfelelően.
--	--	---

Funkciók és kezelőszervek

A motor kezelőszervei

Hasonlítsa össze az 1., 2. és 3. ábrákon látható feliratok betűit a motor kezelőszervekkel a következő lista szerint:

- Motor azonosítószámok **Modell – Típus – Kódszám**
- Gyújtógyertya
- Üzemanyagtartály és sapka
- Levegőszűrő
- Berántózsínór fogantyúja
- Olajszintpálca
- Olajbetöltő
- Olajleeresztő dugó
- Kipufogódob, kipufogódob-védő (ha be van szerelve), szikrafogó (ha be van szerelve)
- Gázadagoló kar / üzemanyag-ellátás kikapcsolása / TransportGuard™
- Szivató kar
- Légbeszívónyílás rácsa
- Elektromos indítás kapcsolója (ha van)
- Fordulatszám-csökkentő egység (ha be van szerelve)

Egyes motorok és gépek távirányítóval rendelkeznek. A távvezérlő helyének és működésének ismertetését a berendezés útmutatójában találja.

Motorvezérlési szimbólumok és jelentésük

	Motorfordulatszám – GYORS		Motorfordulatszám – LASSÚ
	Motorfordulatszám – LEÁLLÍTÁS		BE - KI
	Motorindítás Szivató ZÁRVA		Motorindítás Szivató NYITVA
	Üzemanyagtartály-sapka Üzemanyag-elzáró csap NYITVA		Üzemanyag-elzáró csap ZÁRVA

Összeszerelés

Gázaszabályozó kar átalakítása

A szabványos motornak kézi gázaszabályozó karja van. A kézi gázaszabályozó kar működtetéséhez szereljen be egy táv-gázaszabályozó kart, vagy állítsa át fix fordulatszámra. Lásd az itt következő utasításokat.

MEGJEGYZÉS: A motor fordulatszámának meg kell felelnie a berendezésgyártó teljesítményre vonatkozó előírásainak. Forduljon valamelyik hivatalos Briggs & Stratton márkaképviselőhöz.

Kézi gázaszabályozó kar

1. Mozdogassa a gázaszabályozó kart / TransportGuard® kart (A, 4. ábra) a KI helyzetbe.
2. Szerelje ki a rugót (S, 4. ábra).

Gáz-távvezékelés sodrott vezetékű kábellel

A sodrott vezetékű kábellel ellátott táv-gázaszabályozó kar a két irány bármelyikébe felszerelhető: **Hengerfej-irány** vagy **elülső irány**.

A hengerfej irány

1. Mozdogassa a gázaszabályozó kart / TransportGuard® kart (A, 5. ábra) a KI helyzetbe.
2. Egy 10 mm-es csavarkulccsal lazítsa meg az anyát (P, 5. ábra) fél fordulattal a gázaszabályozó karon / Transport Guard® karon (A).
3. Tartsa meg a kábelrögzítő anyát (J, 6. ábra) egy 10 mm-es csavarkulccsal, és lazítsa meg a csavart (K).
4. Szerelje be a kábelvezetékét (L, 6. ábra) a kábelrögzítő anyán (J) lévő furaton át, majd húzza meg a csavart (K). Ügyeljen arra, hogy a kábelvezeték (L) ne tolja túl a furaton ½ collnál (12,7 mm-nél) nagyobb mértékben.
5. Lazítsa meg a csavart (I, 6. ábra). Rögzítse a kábelhüvelyt (N) a bilincs (M) alatt és húzza meg a csavart (I).
6. Ellenőrizze a táv-gázaszabályozó kar működését. Mozdogassa a táv-gázaszabályozó kart lassúróly gyorsra 2-3 alkalommal. Győződjön meg arról, hogy a táv-gázaszabályozó kar és a kábel (L, 6. ábra) szabadon mozog. Állítsa be az anyát (P, 7. ábra) a megadott pozícióhoz szükséges módon.

Elülső irány

1. Állítsa a gázaszabályozó kart / Transport Guard™ kart:
 - a. **10V000 és 12V000 motorral rendelkező modellekhez:** Mozdogassa a gázaszabályozó kart /TransportGuard™ kart (A, ábra 8) a GYORS helyzetbe.
 - b. **25V000 motorral rendelkező modellekhez:** Mozdogassa a gázaszabályozó kart / TransportGuard™ kart (A, ábra 8) a KI helyzetbe.
2. Egy 10 mm-es csavarkulccsal lazítsa meg az anyát (P, ábra 7) fél fordulattal a gázaszabályozó karon / Transport Guard® karon (A).
3. Tartsa meg a kábelrögzítő anyát (J, ábra 8) egy 10 mm-es csavarkulccsal, és lazítsa meg a csavart.
4. Szerelje be a kábelvezetékét (L, ábra 8) a kábelrögzítő anyán (J) lévő furaton át, majd húzza meg a csavart (K). Ügyeljen arra, hogy a kábelvezeték (L) ne tolja túl a furaton ½ collnál (12,7 mm-nél) nagyobb mértékben.
5. Lazítsa meg a csavart (I, ábra 8). Rögzítse a kábelhüvelyt (N) a bilincs (M) alá és húzza meg a csavart (I).
6. Ellenőrizze a táv-gázaszabályozó kar működését. Mozdogassa a táv-gázaszabályozó kart lassúróly gyorsra 2-3 alkalommal. Győződjön meg arról, hogy a táv-gázaszabályozó kar és a kábel (L, 8. ábra) szabadon mozog. Állítsa be az anyát (P, ábra 7) a megadott pozícióhoz szükséges módon.

Távvezékelés, tömör vezetékű kábellel

A tömör vezetékű kábellel ellátott táv-gázaszabályozó kar a négy irány bármelyikébe beszerelhető: **Hengerfej irány, előre irány, balra irány** vagy **jobbra irány**.

A hengerfej irány

1. Mozdogassa a gázaszabályozó kart / TransportGuard® kart (A, 9. ábra) a KI helyzetbe.
2. Szerelje ki a rugót (S, 9. ábra).
3. Mozdogassa a gázaszabályozó kart /TransportGuard® kart (A, 9. ábra) a GYORS helyzetbe.
4. Egy 10 mm-es csavarkulccsal lazítsa meg az anyát (P, 4. ábra) fél fordulattal a gázaszabályozó karon / Transport Guard® karon (A).
5. Szerelje be a tömör vezetékű kábel Z-szerelvényét (Q, 9. ábra) a könyökemelő (R) valamelyik kis méretű furatába.
6. Lazítsa meg a csavart (I, 9. ábra). Rögzítse a kábelhüvelyt (N) a bilincs (M) alatt és húzza meg a csavart (I).

7. Ellenőrizze a táv-gázaszabályozó kar működését. Mozdogassa a táv-gázaszabályozó kart lassúróly gyorsra 2-3 alkalommal. Győződjön meg arról, hogy a táv-gázaszabályozó kar és a kábelvezeték (L, 9. ábra) szabadon mozog. Állítsa be az anyát (P, 4. ábra) a megadott pozícióhoz szükséges módon.

Elülső irány

1. Mozdogassa a gázaszabályozó kart / TransportGuard® kart (A, 10. ábra) a KI helyzetbe.
2. Szerelje ki a rugót (S, 10. ábra).
3. Mozdogassa a gázaszabályozó kart /TransportGuard® kart (A, 10. ábra) a GYORS helyzetbe.
4. Egy 10 mm-es csavarkulccsal lazítsa meg az anyát (P, 4. ábra) fél fordulattal a gázaszabályozó karon / Transport Guard® karon (A).
5. Szerelje be a tömör vezetékű kábel Z-szerelvényét (Q, 10. ábra) a könyökemelő (R) két kis méretű furatába egyikébe.
6. Lazítsa meg a csavart (I, 10. ábra). Rögzítse a kábelhüvelyt (N) a bilincs (M) alá és húzza meg a csavart (I).
7. Ellenőrizze a táv-gázaszabályozó kar működését. Mozdogassa a táv-gázaszabályozó kart lassúróly gyorsra 2-3 alkalommal. Győződjön meg arról, hogy a táv-gázaszabályozó kar és a kábel (L, 10. ábra) szabadon mozog. Állítsa be az anyát (P, 4. ábra) a megadott pozícióhoz szükséges módon.

Bal oldali irány

1. Mozdogassa a gázaszabályozó kart / TransportGuard® kart (A, 11. ábra) a KI helyzetbe.
2. Szerelje ki a rugót (S, 4. ábra).
3. Mozdogassa a gázaszabályozó kart /TransportGuard® kart (A, 11. ábra) a GYORS helyzetbe.
4. Egy 10 mm-es csavarkulccsal lazítsa meg az anyát (P, 4. ábra) fél fordulattal a gázaszabályozó karon / Transport Guard® karon (A, 11. ábra).
5. Szerelje ki a gázaszabályozó kar gombját (W, 11. ábra), hogy a kis méretű furat (S) láthatóvá váljon.
6. Szerelje be a tömör vezetékű kábel Z-szerelvényét (L, 11. ábra) a gázaszabályozó kar (A) kis méretű furatába (S).
7. Lazítsa meg a csavart (I, 11. ábra). Rögzítse a kábelhüvelyt (N) a bilincs (M) alá és húzza meg a csavart (I).
8. Ellenőrizze a táv-gázaszabályozó kar működését. Mozdogassa a táv-gázaszabályozó kart lassúróly gyorsra 2-3 alkalommal. Győződjön meg arról, hogy a táv-gázaszabályozó kar és a kábel (L, 11. ábra) szabadon mozog. Állítsa be az anyát (P, 4. ábra) a megadott pozícióhoz szükséges módon.

Jobb oldali irány

A táv-gázaszabályozó kar megfelelő irányból történő beszereléséhez szükség van egy kábel tartó konzolra (U, 12. ábra). A cikkszámot lásd a **Műszaki adatok és pótalkatrészek** szakaszban. Kábel tartó kengyel beszereléséhez forduljon a Briggs & Stratton hivatalos márkaképviselőhöz.

1. Mozdogassa a gázaszabályozó kart / TransportGuard® kart (A, 12. ábra) a KI helyzetbe.
2. Szerelje ki a rugót (S, 4. ábra).
3. Szerelje ki a gázaszabályozó kar gombját (W, 12. ábra), hogy a kis méretű furat (S) láthatóvá váljon.
4. Mozdogassa a gázaszabályozó kart /TransportGuard® kart (A, 12. ábra) a GYORS helyzetbe.
5. Egy 10 mm-es csavarkulccsal lazítsa meg az anyát (P, 4. ábra) fél fordulattal a gázaszabályozó karon / Transport Guard® karon (A, 12).
6. Szerelje be a tömör vezetékű kábel Z-szerelvényét (L, 12. ábra) a gázaszabályozó kar (A) kis méretű furatába (S).
7. Szerelje ki a csavart (T, 12. ábra). Szerelje fel a kábel tartó konzolt (U) a mutatott módon. Rögzítse a kábel tartó konzolt (U) a csavarral (T). Húzza meg a csavart (T) 30 fontnyúval (3,4 Nm) nyomatékkal. Lásd a **Műszaki adatok és pótalkatrészek** című részt.
8. Lazítsa meg a csavart (I, 12. ábra). Rögzítse a kábelhüvelyt (N) a bilincs (M) alá és húzza meg a csavart (I).
9. Vizsgálja meg a táv-gázaszabályozó kar működését. Mozdogassa a táv-gázaszabályozó kart lassúróly gyorsra 2-3 alkalommal. Győződjön meg arról, hogy a táv-gázaszabályozó kar és a kábel (L, 12. ábra) szabadon mozog. Állítsa be az anyát (P, 4. ábra) a megadott pozícióhoz szükséges módon.

Rögzített motorfordulatszám (nincs gázaszabályozó kábel)

Amikor átvált **fix motorfordulatszámra**, nincs beszerelve a gázaszabályozó karhoz tartozó kábel, és nincs fordulatszám-választás sem. GYORS az egyetlen motorfordulatszám.

1. Mozdogassa a gázaszabályozó kart / TransportGuard® kart (A, 13. ábra) a KI helyzetbe.
2. Szerelje ki a rugót (S, 13. ábra).
3. Mozdogassa a gázaszabályozó kart /TransportGuard® kart (A, 13. ábra) a GYORS helyzetbe.

- Gondoskodjon arról, hogy a huzalrögítő csavar (V, 13. ábra) egy vonalban legyen a konzolon lévő furattal. Húzza meg a csavart (V) 25 fonthüvelyk (2,8 Nm) nyomattékkal.
- Szerelje ki a vezérlőrudat (H, 13. ábra).

MEGJEGYZÉS: A gázadagoló karnak / TransportGuard® karnak ekkor csak két helyzete van: STOP / KI helyzet és ÜZEM helyzet.

- Helyezze el az új BE / KI TransportGuard® címkét (O, 14. ábra) a fedőpanelen (F) található, meglévő fordulatszám-szabályozás címke fölé.

Üzemeltetés



FIGYELMEZTETÉS

Az üzemanyagok gőzei gyúlékonyak és robbanásveszélyesek. A tűz vagy robbanás égési sérüléseket vagy halálos balesetet okozhat.

Ha gázzzagot érez

- Ne indítsa be a motort.
- Ne kapcsolja be az elektromos kapcsolókat.
- Ne használjon telefont a közelben.
- Űrítse ki a területet.
- Forduljon a tűzoltósághoz.

A berendezés működtetésekor

- Ne döntse meg a motort vagy a berendezést akkora szögben, hogy az üzemanyag kilöttyenjen.

Amikor áthelyezi a berendezést

- Gondoskodjon róla, hogy az üzemanyagtartály ÜRES, illetve hogy az üzemanyag-elzáró szelep (ha be van szerelve) ZÁRVA legyen.

Ellenőrizze az olajsztintet

Mielőtt ellenőrizné vagy betöltené az olajat,

- Ellenőrizze, hogy szintben van-e a motor.
- Tisztítsa meg az olajterületet a szennyeződéstől.
- Lásd a **Műszaki adatok** fejezetet az olajkapacitással kapcsolatban.

MEGJEGYZÉS

A Briggs & Stratton vállalat a motort motorolaj nélkül szállítja. Előfordulhat, hogy a berendezés gyártói vagy a márkakereskedők motorolajat tölthettek a motorba. A motor első indítása előtt ellenőrizze, hogy az olajsztint megfelelő-e. Töltsön bele olajat a kézikönyv utasításai szerint. Ha olaj nélkül indítja a motort, akkor a motor javíthatatlan károsodást szenved, és nem esik a garancia hatálya alá.

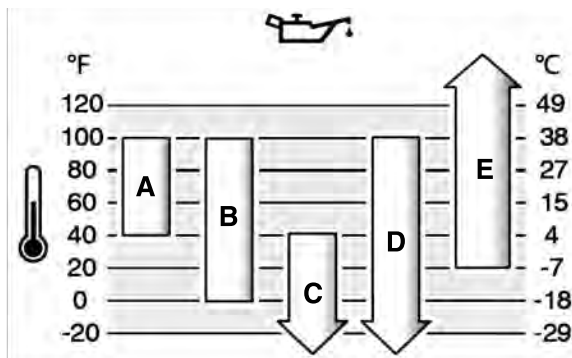
- Húzza ki az olajsztintjelző pálcát (A, 15. ábra), majd tisztítsa meg egy ronggyal
- Dugja vissza és húzza meg az olajsztintjelző pálcát (A, 15. ábra).
- Vegye ki az olajsztintjelző pálcát, és ellenőrizze az olajsztintet. Győződjön meg róla, hogy az olajsztint a tele jelzés tetejéig ér (B, 15. ábra) az olajsztintjelző pálcán.
- A motoron két olajbetöltő nyílás található (C, G, 16. ábra). Ha alacsony az olajsztint, akkor lassan töltsön olajat a motor olajbetöltő nyílásaiba (C, G). Ne öntsön be túlságosan sok olajat. Az olaj betöltése után várjon egy percig, majd újból ellenőrizze az olajsztintet. Ellenőrizze, hogy az olajsztint megfelelő-e.
- Dugja vissza és húzza meg az olajsztintjelző pálcát (A, 15. ábra).

Az olajra vonatkozó javaslatok

Olajkapacitás: Lásd a **Műszaki jellemzők** szakaszt.

A minél jobb teljesítmény érdekében használjon Briggs & Stratton® szavatossággal jóváhagyott olajokat. Más jó minőségű, detergenstartalmú olajok akkor használhatók, ha teljesítményszint-besorolásuk SF, SG, SH, SJ vagy magasabb. Ne használjon speciális adalékokat.

A diagram segítségével válassza ki a legjobb viszkozitást, ami a várható kültéri hőmérséklet-tartománynak megfelel. A legtöbb kültéri berendezés motorja 5W-30-as szintetikus olajjal üzemel megfelelően. A meleg hőmérsékleten üzemeltetett berendezésekhez a legjobb védelmet a Vanguard® 15W-50-es szintetikus olaj biztosítja.



A	SAE 30 – 40 °F (4 °C) alatt az SAE 30 használata nehéz indítást eredményez.
B	10W-30 – 80 °F (27 °C) felett a 10W-30 használata megnövekedett olajfogyasztást eredményezhet. Ellenőrizze az olajsztintet gyakran.
C	5W-30-as
D	Szintetikus 5W-30-as
E	Vanguard® Szintetikus 15W-50

Alacsony olajsztint elleni védelem (ha be van szerelve)

Bizonyos motorokon alacsonyolajsztint-érzékelő található. Ha az olajsztint alacsony, az érzékelő figyelmeztető jelzőfényt aktivál, vagy leállítja a motort. Állítsa le a motort, és hajtja végre a következő lépéseket a motor indítása előtt.

- Ellenőrizze, hogy szintben van-e a motor.
- Ellenőrizze az olajsztintet. Lásd az **Olajsztint ellenőrzése** c. fejezetet.
- Ha az olajsztint alacsony, töltsön be megfelelő mennyiségű olajat. Indítsa be a motort, és ellenőrizze, hogy a figyelmeztető jelzőfény (ha van ilyen) kigyullad-e.
- Ha az olajsztint nem alacsony, ne indítsa be a motort. Az olajnyomás probléma javításához forduljon a Briggs & Stratton valamelyik hivatalos szervizképviselőjéhez.

Javasolt üzemanyagok

Az üzemanyagra vonatkozó követelmények:

- Tiszta, friss, ólommentes benzin.
- Legalább 87-es oktánszám/87 AKI (91 RON). Nagy magasságban való működtetés, lásd alább.
- Legfeljebb 10% etanolt (benzin-alkohol keveréket) tartalmazó benzin használható.

MEGJEGYZÉS

Ne használjon nem jóváhagyott benzint, például E15-öt vagy E85-öt. Ne keverjen olajat a benzinnel, illetve ne módosítsa a motort, hogy más üzemanyagokkal is működhessen. A nem jóváhagyott üzemanyagok használata károsíthatja a motor alkatrészeit, amelyek nem javíthatók a garancia értelmében.

Keverjen alkoholmentes üzemanyagstabilizáló adalékot és etanolos kezelőt az üzemanyagba, hogy megóvja az üzemanyagrendszert a gumilerakódástól és a korróziótól. Lásd a **Tárolás** c. fejezetet. Az üzemanyagok nem egyformák. Ha gondolni adódnak az indítással vagy a teljesítménnyel kapcsolatban, váltson üzemanyag-beszállítót vagy üzemanyagmárkát. A motort benzines üzemeltetésre hitelesítették. A karburátoros motor károsanyag-kibocsátást szabályozó rendszere az EM (motormódosítások). Az elektronikus üzemanyag-befecskendezéses motorok károsanyag-kibocsátást szabályozó rendszerei az ECM (motorvezérlő-egység), az MFI (többfűvőkás üzemanyag-befecskendezés), a TBI (gázadagoló üzemanyag-befecskendezés) és ha fel van szerelve, egy O2S (oxigénérzékelő).

Nagy magasságban

Az 1524 métert meghaladó magasságokban használt benzin oktánszáma legalább 85 oktán/85 AKI (89 RON) legyen.

Porlasztós motoroknál nagy magassághoz megfelelő beállítás szükséges a teljesítmény fenntartásához. Az e beállítás nélküli üzemeltetés csökkenő teljesítményt, növekvő üzemanyag-fogyasztást és megnövekedett károsanyag-kibocsátást eredményez. Forduljon egy Briggs & Stratton hivatalos szakkereskedéshez a magas tengerszint feletti magasságban történő használatához szükséges szabályozással kapcsolatban. Nem javasolt a motor üzemeltetése 2500 láb (762 méter) magasság alatt, a nagy magasságú használatához beállítva.

Az elektronikus üzemanyag-befecskendezéses (EFI) motoroknál szükségtelen a magas tengerszint feletti magasság számára megfelelő beállítás elvégzése.

Az üzemanyag betöltése



FIGYELMEZTETÉS

Az üzemanyag és gőzei gyúlékonyak és robbanásveszélyesek. A tűz vagy robbanás égési sérüléseket vagy halálos balesetet okozhat.

Ha üzemanyagot tölt be

- Állítsa le a motort. A tanksapka eltávolítása előtt várjon legalább két (2) percig, mert így biztosítható, hogy a motor lehűt.
 - Az üzemanyagtartályt a szabadban vagy olyan helyen töltsse fel, ahol jó a légáramlás.
 - Ne töltsön túl sok üzemanyagot a tartályba. Az üzemanyag tágulásának lehetővé tétele érdekében ne töltsön üzemanyagot a tartályok alja fölé.
 - Az üzemanyagot tartsa távol szikrától, nyílt lángtól, gyújtólángtól, hőtől és más gyújtóforrásoktól.
 - Gyakran ellenőrizze az üzemanyag-vezetékeket, az üzemanyagtartályt, a tanksapkát és a csatlakozásokat repedések vagy szivárgások szempontjából. Cserélje ki a hibás alkatrészeket!
 - Ha az üzemanyag kiömlik, várja meg, amíg felszárad, mielőtt beindítaná a motort.
- Tisztítsa meg az üzemanyagtartály-sapka környékét a kosztól és a szennyeződésektől. Vegye le a tanksapkát.
 - Töltsse fel az üzemanyagtartályt (A, 17 ábra) üzemanyaggal. Mivel az üzemanyag tágul, ne töltsön az üzemanyag-tartály nyakának alja (B) fölé.
 - Tegye fel a tanksapkát.

A motor indítása



FIGYELMEZTETÉS

MÉRGEZŐ GÁZ VESZÉLYE. A motor kipufogógáza szén-monoxidot tartalmaz, amely mérgező gáz, és percek alatt halálos mérgezést okozhat. Még ha nem is érzí a kipufogógázt, akkor is ki lehet téve a veszélyes szén-monoxid gáz hatásának. Amennyiben a termék használata közben szédülést, rosszulletet vagy gyengeséget tapasztal, **AZONNAL** menjen a friss levegőre. Forduljon orvoshoz. Előfordulhat, hogy szén-monoxid-mérgezése van.

- Az emberi tartózkodásra szolgáló terekben szén-monoxid gáz halmozódhat fel. A terméket **KIZÁRÓLAG** a szabadban, ablaktól, ajtóktól és szellőzőnyílásoktól távol alkalmazza, hogy csökkenthesse a szénmonoxid gáz felgyülemelésének veszélyét.
- Telepítsen elemmel működő szén-monoxid-érzékelőket vagy bedugható szén-monoxid-riasztókat tartalékelemmel a gyártó utasításai szerint. A füstjelzők nem érzékelik a szén-monoxid gázt.
- NE üzemeltesse a terméket lakóépületekben, garázsokban, pincékben, kúszóterekben, fészerekben vagy más, részben zárt helyiségekben, még akkor sem, ha ventilátorokat vagy nyitott ajtókat és ablakokat használ a szellőztetéshez. A termék üzemeltetése után a szén-monoxid gyorsan felhalmozódhat ezeken a helyeken, és órákon át ott is maradhat.
- MINDIG a hátszél irányába, illetve úgy fordítsa a terméket, hogy ne áramoljon emberi tartózkodásra szolgáló hely felé a a motor kipufogógáza.



FIGYELMEZTETÉS

Az üzemanyag és gőzei gyúlékonyak és robbanásveszélyesek. A tűz vagy robbanás égési sérüléseket vagy halálos balesetet okozhat.

A motor indításakor

- Győződjön meg arról, hogy a gyújtógyertya, a kipufogódob, a tanksapka és a légtisztító (ha vannak ilyenek), megfelelően vannak beszerelve.
- Ne indítsa be a motort, ha a gyújtógyertya nincs a helyén.
- Ha a motor el van árasztva, állítsa a szivatót (ha van ilyen) NYITVA vagy JÁRATÁS állásba. Fordítsa a gázkart (ha van ilyen) a GYORS állásba, és indíttson, amíg a motor be nem indul.
- Ha a környezetben természetes vagy cseppfolyósított petróleum alapú gázszivárgás van, ne indítsa be a motort.
- Ne használjon nyomás alatt lévő indítófolyadékokat, mert a gőzök gyúlékonyak.

FIGYELMEZTETÉS

A forgó alkatrészek érintkezésbe kerülhetnek vagy beakadhatnak a kezébe, lábába, hajába, ruhájába vagy a kiegészítőkbé. Baleseti csonkolás vagy súlyos zúzódás lehet ennek a következménye.

- A berendezést úgy működtesse, hogy a védőberendezések megfelelően legyenek felszerelve.
- Kezét és lábát tartsa távol a forgó alkatrészekről.
- Vegye le az ékszereit, és ügyeljen arra, hogy amennyiben hosszú a haja, az legyen távol minden forgó résztől.
- Ne viseljen laza ruhát vagy olyan tárgyakat, amelyek beakadhatnak.



FIGYELMEZTETÉS

A berántózsínór gyors visszaengedése (visszarúgás) a kezét és a karját gyorsabban húzza a motor felé, mint ahogy azt el tudná engedni. Törött csontok, törések, zúzódások vagy ficamok lehetnek a következmények.

- A visszarúgás megakadályozása érdekében a motor beindításakor addig húzza lassan a berántózsínórt, amíg ellenállást nem érez, majd gyorsan rántsa meg.
- Válasszon le, illetve szüntessen meg minden külső berendezést/motorterhelést a motor indítása előtt.
- A berendezés közvetlenül rákapcsolt alkatrészeit, így különösen a pengéket, járókerekeket, szíjtárcsákat és lánckerekeket biztonságosan rögzíteni kell.

MEGJEGYZÉS: Lehet, hogy az Ön berendezése távirányítású. A távirányítás helyének és működésének ismertetését a berendezés kézikönyvében találja.

- Ellenőrizze a motor olajsintjét. Lásd **Az olajsint ellenőrzése** c. fejezetet.
- Ellenőrizze, hogy a berendezés hajtásszabályozó kezelőszervei, ha vannak, ki vannak-e kapcsolva.
- A gázadagoló kart / TransportGuard® kart (A, 18. ábra), ha be van szerelve, mozgassa a GYORS vagy JÁRATÁS helyzetbe. A motort a GYORS vagy JÁRATÁS pozícióban üzemeltesse.
- Mozgassa a szivatókart (E, 18. ábra) a ZÁRVA állásba.

Meleg motor indításához általában nincs szükség szivatóra.

- Rugóerős indító, ha be van szerelve:** Szorosan tartsa a berántózsínór fogantyúját (C, 18. ábra). Lassan addig húzza a berántózsínór fogantyúját, amíg ellenállást nem tapasztal, majd gyorsan húzza meg.



FIGYELMEZTETÉS

A berántózsínór gyors visszaengedése (visszarúgás) a kezét és a karját gyorsabban húzza a motor felé, mint ahogy azt el tudná engedni. Törött csontok, törések, zúzódások vagy ficamok lehetnek a következmények.

- A visszarúgás megakadályozása érdekében a motor beindításakor addig húzza lassan a berántózsínórt, amíg ellenállást nem érez, majd gyorsan rántsa meg.
- Válasszon le, illetve szüntessen meg minden külső berendezést/motorterhelést a motor indítása előtt.
- A berendezés közvetlenül rákapcsolt alkatrészeit, így különösen a pengéket, járókerekeket, szíjtárcsákat és lánckerekeket biztonságosan rögzíteni kell.

- Elektromos indítás, ha be van szerelve:** Fordítsa az elektromos indítás kapcsolóját (D, 18. ábra) az INDÍTÁS állásba.

MEGJEGYZÉS

Az indító élettartamának meghosszabbítása érdekében rövid indítási ciklusokat alkalmazzon (maximális időtartam: öt másodperc). Az indítási ciklusok között tartson egy perc szünetet.

- Amint a motor felmelegedett, állítsa a szivatókart (B, 18. ábra) a NYITVA állásba.

Ha a motor 2 vagy 3 indítás után sem indul be, akkor forduljon a helyi márkakereskedőhöz, illetve látogasson el a vanguardpower.com webhelyre, vagy hívja a(z) 1-800-999-9333 telefonszámot (az Egyesült Államokban).

Állítsa le a motort



FIGYELMEZTETÉS

Az üzemanyag és gőzei gyúlékonyak és robbanásveszélyesek. A tűz vagy robbanás égési sérüléseket vagy halálos balesetet okozhat.

- (Ha van ilyen) ne szívassa túl a karburátort a motor leállításához.

Gázadagoló kar / Transport Guard®: Mozgassa a gázadagoló kart / TransportGuard® kart (A, 19. ábra) a KI vagy STOP helyzetbe.

MEGJEGYZÉS: Amikor a gázadagoló kar / Transport Guard® (A, 19. ábra) a KI vagy STOP helyzetben van, az üzemanyagszelep KI helyzetben van. Mindig állítsa a gázadagoló kart / TransportGuard® kart a KI vagy STOP pozícióba, ha a berendezést szállítja.

MEGJEGYZÉS: A kulcs (D, 19. ábra) nem állítja le a motort. A kulcs CSAK a motort indítja el. Mindig vegye ki a kulcsot (D), és tartsa gyermekektől elzárva, biztonságos helyen.

Karbantartás

Karbantartási információk



FIGYELMEZTETÉS
Az üzemanyag és gőzei gyúlékonyak és robbanásveszélyesek. A tűz vagy robbanás égési sérüléseket vagy halálos balesetet okozhat.

Ha a karbantartás során meg kell dönteni az egységet, akkor gondoskodjon róla hogy az üzemanyagtartály - ha a motorra van rászerezve - üres legyen, és hogy a gyújtógyertyás oldal felfelé legyen. Ha az üzemanyagtartály nem üres, üzemanyag-szivárgás léphet fel, ami tüzet vagy robbanást okozhat. Ha a motort más irányba billenti, akkor az nem indul be könnyen a levegőszűrő vagy a gyújtógyertya olaj vagy üzemanyag okozta szennyeződése miatt.



FIGYELMEZTETÉS
A motorból véletlenül kipattanó szikra áramütést, tüzet vagy robbanást okozhat, és belegabalyodást, sérüléssel amputációt vagy zúzódást eredményezhet.

Mielőtt beállítást vagy javítást végezne:

- Válassza le az összes gyújtógyertya vezetőket és tartsa a gyújtógyertya vezetőket távol a gyújtógyertyáktól.
- Válassza le az akkumulátorvezetőket az akkumulátor negatív pólusáról (csak az elektromos indítású motorok esetében).
- Kizárólag megfelelő szerszámokat használjon.

Ha a szikrát ellenőriz:

- Engedélyezett gyújtógyertyatesztet alkalmazzon.
- Ne ellenőrizze a szikrát, ha a gyújtógyertya ki van csavarva.



FIGYELMEZTETÉS
A pótkatrészek legyenek ugyanolyan kivitelűek, mint az eredeti alkatrészek, valamint az eredeti alkatrészekkel megegyező helyzetben kell felszerelni azokat. Más alkatrészek pedig károsodást vagy sérülést okozhatnak.

MEGJEGYZÉS

Minden alkatrészeknek, melyet ebbe a motorba építettek, a helyén kell maradnia a megfelelő működés érdekében.

A motor és motoralkatrészek minden karbantartását és szervizelését a Briggs & Stratton hivatalos szervizképviselőjénél végeztesse.

A károsanyag-kibocsátás szabályozás szervizelése

A károsanyag-kibocsátást szabályozó eszközök és rendszerek karbantartását, cseréjét vagy javítását elvégezheti bármely, a nem közutakon használt motorok javításával foglalkozó vállalat vagy szerviztechnikus. Azonban a károsanyag-kibocsátás szabályozásának „ingyenes” javításához a munkát a gyár hivatalos szakszervizével kell elvégeztetni. Lásd a károsanyag-kibocsátási nyilatkozatokat.

A karbantartás ütemezése

Az első 5 üzemóra
<ul style="list-style-type: none"> Cserélje le az olajat.
8 óránként vagy naponta
<ul style="list-style-type: none"> Ellenőrizze a motorolajszintet. Tisztítsa meg a kipufogódob és a kezelőszervek körüli területet. Tisztítsa meg a légbeszívó nyílás rácsát.
100 óránként vagy évente
<ul style="list-style-type: none"> Végezze el a kipufogórendszer szervizelését. Olajcsere a fordulatszám-csökkentő egységben (ha be van szerelve).
200 óránként vagy évente
<ul style="list-style-type: none"> Cserélje le a motorolajat. Tisztítsa meg a levegőszűrőt¹

600 óránként vagy 3 évente
<ul style="list-style-type: none"> Cserélje ki a levegőszűrőt.
évente
<ul style="list-style-type: none"> Cserélje ki a gyújtógyertyát. Szervizelje az üzemanyag-ellátó rendszert. Szervizelje a hűtőrendszert¹. Ellenőrizze a szelephézagot².

¹Poros körülmények között, vagy ha sok részecske van a levegőben, gyakrabban tisztítsa.

²Nem szükséges, kivéve, ha a motor teljesítményével kapcsolatos problémák merülnek fel.

Porlasztó és motor fordulatszám

Ne módosítsa a karburátort, a szabályozórugókat a rudazatokat vagy más alkatrészeket a motor fordulatszámának megváltoztatása érdekében. Ha bármilyen beállítás szükséges, szervizelés céljából forduljon egy Briggs & Stratton hivatalos szervizképviselőhöz.

MEGJEGYZÉS

A berendezés gyártója megadja a motor maximális fordulatszámát a berendezésre történő telepítések. Ne lépje túl ezt a fordulatszámot. Ha nem biztos a berendezés maximális fordulatszámában, vagy hogy gyárilag milyen fordulatszámra lett a motor beállítva, támogatásért forduljon a Briggs & Stratton valamelyik hivatalos szakszervizéhez. A berendezés biztonságos és megfelelő működése érdekében kizárólag szakképzett szerviztechnikus végezheti a motor fordulatszámának beállítását.

A gyújtógyertya szervizelése

Hézagmérővel (B) ellenőrizze a gyertyahézagot (A, 20 ábra). Ha szükséges, akkor állítsa a gyertyahézagot. Szerelje be, és húzza meg az ajánlott nyomatékkal a gyújtógyertyát. A hézagra és a nyomatéokra vonatkozóan lásd a **Műszaki adatok** c. szakaszt.

A kipufogórendszer és a hűtőrendszer szervizelése



FIGYELMEZTETÉS
Működés közben a motor és a kipufogódob felmelegszik. Ha megérinti a forró motort, égési sérülések keletkezhetnek.

Az olyan éghető anyagok, mint a levelek, fű és bozót, lángra lobbánhatnak.

- Mielőtt megérinti a motort vagy a kipufogódobot, állítsa le a motort, és várjon két (2) percig. Ügyeljen arra, hogy a motor és a kipufogódob biztonságosan megérinthető legyen.
- Távolítsa el a nyereséket a kipufogódobról és a motorról.

A California Public Resource Code 4442. szakasz megsértésének minősül, ha a motort erdős, bokros vagy füves területen használja vagy üzemelteti, kivéve, ha a kipufogó rendszer megfelelő állapotban lévő szikrafogóval van felszerelve a 4442. szakaszban meghatározottak szerint. Hasonló törvényeket más államok vagy szövetségi fennhatóság alá tartozó területek is előírhatnak; tekintse meg a szövetségi törvénykönyv 36 CFR-jének 261.52-es részét. Lépjen kapcsolatba az eredeti gyártóval, kiskereskedővel vagy viszonteladóval ezen motor kipufogórendszeréhez meghatározott szikrafogó beszerzése érdekében.

Ez egy léghűtéses motor. A szennyeződés vagy a nem kívánt anyag megakadályozhatja a levegő áramlását, és a motor túlmelegedését okozhatja. Ez nem kielégítő teljesítményt eredményez, és csökkenti a motor élettartamát. A henger hűtőbordái összegyűjthetik a nem kívánt anyagokat, amelyeket nem lehet eltávolítani a motor részleges szétszerelése nélkül. Gondoskodjon arról, hogy egy Briggs & Stratton hivatalos szervizképviselő megvizsgálja és megtisztítja a léghűtéses rendszert. Lásd a **Karbantartás ütemezése** c. szakaszt.

- Győződjön meg róla, hogy nem maradtak éghető anyagok a kipufogódob körül és mögött.
- Kefével vagy száraz kendővel távolítson el minden nem kívánt anyagot a fűvóház fedeléről, a kipufogódobról és a henger területéről. NE használjon vizet a motor tisztításához.
- Győződjön meg róla, hogy rudazat, a rugók és a kezelőszervek tiszták.
- Ellenőrizze a kipufogódobot, hogy nincsenek-e rajta repedések, korróziós károsodások vagy más sérülések.
- Szerelje le a terelet vagy a szikrafogót, ha be van szerelve, és ellenőrizze a sérüléseket vagy a széntől származó eltömődéseket. Gondoskodjon róla, hogy a berendezés működtetése előtt megtisztítja vagy beszereli a cseralkatrészeket.
- Ha be van szerelve, gondoskodjon róla, hogy az olajhűtő bordái tiszták legyenek.

Cserélje ki a motorolajat

FIGYELMEZTETÉS



Az üzemanyag és gőzei gyúlékonyak és robbanásveszélyesek. A tűz vagy robbanás égési sérüléseket vagy halálos balesetet okozhat.

Működés közben a motor és a kipufogódob felmelegszik. Ha megérinti a forró motort, égési sérülések keletkezhetnek.

- Amikor az olajat kiürítik a felső olajbetöltő csőből, az üzemanyagtartálynak üresnek kell lennie. Ha nem üres, akkor üzemanyag-szivárgás léphet fel, ami tüzet vagy robbanást okozhat.
- Mielőtt megérinti a motort vagy a kipufogódobot, állítsa le a motort, és várjon két (2) percig. Ügyeljen arra, hogy a motor és a kipufogódob biztonságosan megérinthető legyen.

A használt olaj veszélyes hulladék, gondoskodni kell a megfelelő ártalmatlanításáról. Ne dobja ki a háztartási szeméttel együtt. Keresse fel a helyi önkormányzatot, szervizközpontot vagy szakkereskedést a biztonságos gyűjtő-/újrahasznosító telepekre vonatkozó információkért.

A **Just Check & Add™** modellekhez nem szükséges az olajcsere. Ha olajcsere van szükség, olvassa el az alábbi eljárást.

Olaj eltávolítása

- Kikapcsolt, de még meleg motornál válassza le a gyújtógyertya kábel(ek) csatlakozóit (D, 21. ábra), és tartsa távol őket a gyújtógyertyá(k)tól (E).
- Húzza ki az olajsztintjelző pálcát (A, 22. ábra).
- A motoron két olajleeresztő dugó található (H, F, 23. ábra). Távolítsa el az olajleeresztő dugókat (H, F). Az olajat egy engedélyezett tartályba engedje le.
- Szerelje vissza és húzza meg az olajleeresztő csavart (F, 23. ábra)

Olaj betöltése

- Ellenőrizze, hogy szintben van-e a motor.
- Távolítsa el a nemkívánatos anyagot az olajbetöltő területéről.
- Lásd a **Műszaki jellemzők** fejezetet az olajkapacitással kapcsolatban.

- Vegye ki az olajsztintjelző pálcát. Lásd az **Olaj eltávolítása** c. fejezetet.
- Töltsön lassan olajat az egyik olajbetöltő nyílásba (C., G., 24. ábra). Ne öntsön be túlságosan sok olajat.
- Várjon egy percet, majd ellenőrizze az olajsztintet.
- Tegye vissza az olajsztintjelző pálcát.
- Vegye ki az olajsztintjelző pálcát, és ellenőrizze az olajsztintet. A megfelelő olajsztint a szintjelző pálcá tele jelzésének felső részén található. Lásd az **Olajsztint ellenőrzése** c. szakaszt.
- Helyezze be és húzza meg újra az olajsztintjelző pálcát.
- Csatlakoztassa a gyújtógyertya kábelét/kábeleit a gyújtógyertyá(k)hoz. Lásd **Az olaj eltávolítása** szakaszt.

Fordulatszám-csökkentő olaj cseréje

Egyes motorok fordulatszám-csökkentő egységgel vannak felszerelve. Ha fel van szerelve, olvassa el a következő lépéseket az egyik fordulatszám-csökkentő egységhez.

2:1 áttételű, láncos fordulatszám-csökkentő egység

Ha a motor 2:1 áttételű, láncos fordulatszám-csökkentő egységgel van felszerelve (G, 25. ábra), akkor nincs szükség olajcsere. A motorban lévő olaj a fordulatszám-csökkentő egységet is keni.

2:1 áttételű, nedves tengelykapcsolós fordulatszám-csökkentő egység

Ha 2:1 áttételű nedves tengelykapcsolós fordulatszám-csökkentő egységgel van ellátva a motor, akkor a következő lépéseket végezze el:

- Húzza ki az olajsztintjelző pálcát (A, 26. ábra).
- Csavarja ki a leeresztő csavart (B, 26. ábra) és engedje le az olajat egy erre a célra jóváhagyott tartályba.
- Szerelje vissza és húzza meg az olajleeresztő dugót (B, 26. ábra).
- Lassan töltsön olajat az olajbetöltő nyílásba (C, 26. ábra). Lásd a **Műszaki adatok** című részt.
- Helyezze be az olajsztintjelző pálcát (A, 26. ábra).
- Húzza ki az olajsztintjelző pálcát (A, 26. ábra), és ellenőrizze az olajsztintet. A megfelelő olajsztint a szintjelző pálcá tele jelzésének (D) felső részén található.
- Helyezze be az olajsztintjelző pálcát (A, 26. ábra).

6:1 áttételű fordulatszám-csökkentő egység

Ha 6:1 áttételű fordulatszám-csökkentő egységgel van ellátva a motor, akkor a következő lépéseket végezze el:

- Szerelje ki az olajbetöltő nyílás dugóját (A, 27. ábra) és az olajsztint-ellenőrző nyílás dugóját (B).
- Csavarja ki az olajleeresztő csavart (C, 27. ábra) és engedje le az olajat egy erre a célra jóváhagyott tartályba.
- Szerelje vissza és húzza meg az olajleeresztő dugót (C, 27. ábra).
- Lassan töltsön be fordulatszám-csökkentő olajat (80W-90) az olajbetöltő nyílásba (D, 27. ábra). Addig folytassa a sebességváltó-csökkentő olaj (80W-90) töltését, amíg az olaj ki nem folyik az olajsztint ellenőrző nyílásból (E).
- Szerelje vissza és húzza meg az olajsztint-ellenőrző nyílás dugóját (B, 27. ábra).
- Szerelje vissza és húzza meg az olajbetöltő nyílás dugóját (A, 27. ábra).

MEGJEGYZÉS: Egy szellőzőnyílással (F) rendelkezik az olajbetöltő nyílás dugója (A, 27. ábra), és az ábrának megfelelően a fogaskerékház fedelére kell rászerezni.

A légszűrő karbantartása

FIGYELMEZTETÉS



Az üzemanyagok gőzei gyúlékonyak és robbanásveszélyesek. A tűz vagy robbanás égési sérüléseket vagy halálos balesetet okozhat.

- Ne indítsa vagy járassa a motort, ha a légtisztító szerelvény (ha van ilyen) vagy a levegőszűrő (ha van ilyen) el lett távolítva.

MEGJEGYZÉS

A szűrő tisztításához ne alkalmazzon sűrített levegőt vagy oldószereket. A sűrített levegő a szűrő meghibásodását, míg az oldószerek a szűrő feloldását okozhatják.

A karbantartási követelményekkel kapcsolatban lásd a **Karbantartás ütemezése** c. fejezetet.

A különböző modellek szivacsos vagy papírszűrőt alkalmaznak. Egyes modellek még egy opcionális, mosható és újrafelhasználható előszűrővel is el vannak látva. Hasonlítsa össze a jelen útmutatóban található ábrákat az Ön motorjára szerelt típussal, majd az alábbiak szerint végezze el a szervizelést.

Papír levegőszűrő

- Lazítsa meg a rögzítő(ke)t (C, 28. ábra).
- Vegye le a fedelet (A, 28. ábra), majd vegye ki a szűrőt (B).
- A nyusedék fellazításához óvatosan ütögesse egy kemény felülethez a levegőszűrőt (B, 28. ábra). Ha a szűrő piszkos, cserélje ki egy újra.
- Szerelje be a szűrőt (B, 28. ábra).
- Szerelje fel a fedelet (A, 28. ábra) a rögzítővel (rögzítőekkel) (C). Ügyeljen arra, hogy a rögzítő(k) szorosan meg legyen(ek) húzva.

Papír levegőszűrő, - Lapos

- Mozgassa a reteszt (A, 29. ábra) a fedél (C) kioldásához.
- Nyomja be a füleket (B, 29. ábra), és távolítsa el a fedelet (C).
- Vegye ki a szűrőt (D, 29. ábra).
- A nyusedék fellazításához óvatosan ütögesse egy kemény felülethez a szűrőt (D, 29. ábra). Ha a szűrő piszkos, cserélje ki egy újra.
- Tegye be a szűrőt (D, 29. ábra).
- Szerelje rá a fedelet (C, 29. ábra). Mozdítsa a reteszt (A) a reteszelt állásba.

MEGJEGYZÉS: Ellenőrizze a habszivacs tömítés illeszkedését (E, 29. ábra). Győződjön meg arról, hogy a körbefutó habszivacs tömítés megfelelően helyezkedik el a csatornában (F).

Az üzemanyag-ellátó rendszer szervizelése

FIGYELMEZTETÉS



Az üzemanyag és gőzei gyúlékonyak és robbanásveszélyesek. A tűz vagy robbanás égési sérüléseket vagy halálos balesetet okozhat.

- Az üzemanyagot tartsa távol szikrától, nyílt lángtól, gyújtólángtól, hőtől és más gyújtóforrásoktól.
- Gyakran ellenőrizze az üzemanyag-vezetékeket, az üzemanyagtartályt, a tanksapkát és a csatlakozásokat repedések vagy szivárgások szempontjából. Cserélje ki a hibás alkatrészeket!
- Ha az üzemanyag kiömlik, várja meg, amíg felszárad, mielőtt beindítaná a motort.

Üzemanyag durvaszűrő, ha be van szerelve

- Vegye le az üzemanyag-tartály sapkáját (A, 30. ábra).
- Szerelje ki az üzemanyag-durvaszűrőt (B, 30. ábra).

3. Ha szennyezett az üzemanyagszűrő, akkor tisztítsa meg vagy cserélje ki. Az üzemanyagszűrő cseréjénél ügyeljen arra, hogy az eredetivel megegyező típusú csere-üzemanyagszűrőt használjon.

Tárolás

Üzemanyagrendszer

Lásd a(z) 31. ábrát.

FIGYELMEZTETÉS

Az üzemanyag és gőzei gyúlékonyak és robbanásveszélyesek. A tűz vagy robbanás égési sérüléseket vagy halálos balesetet okozhat.

Az üzemanyag tárolása

- Tárolja távol az üzemanyagot vagy a berendezést a kályhától, tűzhelyektől, vízmelegítőktől vagy egyéb, gyújtóanyagokat, illetve más szikraforrásokat használó készülékektől, mert ezek robbanást okozhatnak.

A motort vízszintes helyzetben tárolja (normál üzemi pozícióban). Töltse fel az üzemanyagtartályt (A, 31. ábra) üzemanyaggal. Az üzemanyag tágulása miatt ne töltsön üzemanyagot az üzemanyagtartály betöltőnyílásának nyaka (B) fölé.

Az üzemanyag állottá válhat, ha 30 napnál hosszabb ideig tárolóedényben tartják. Az üzemanyag romlásának megelőzése és az üzemanyag frissen tartása érdekében alkoholmentes üzemanyag-stabilizáló adalék és etanolos kezelés használata ajánlott az üzemanyag-tároló tartályban.

Amikor a tartályba üzemanyagot tölt, adjon hozzá alkoholmentes üzemanyag-stabilizáló adalékot a gyártó utasításai szerint. Ha a motorban lévő benzint nem kezelték üzemanyag-stabilizáló adalékkal, akkor azt egy jóváhagyott tartályba kell leengedni. Addig üzemeltesse a motort, amíg ki nem fogy az üzemanyag.

Motorolaj

Amíg még meleg a motor, cseréljen motorolajat. Lásd: **A motorolaj cseréje** szakaszt.

Hibaelhárítás

Segítségnyújtás

Segítségért forduljon a helyi márkakereskedőhöz, vagy keresse fel a(z) **BRIGGSandSTRATTON.COM** webhelyet, vagy hívja a(z) **1-800-444-7774** telefonszámot (az Egyesült Államokban).

Műszaki jellemzők és szervizalkatrészek

Műszaki adatok	Modell: 10V000	Modell: 12V000
Lökettérfogat	10.313 köbhüvelyk (169 cc)	12.387 köbhüvelyk (203 cc)
Furat	2.44 hüvelyk (62 mm)	2.677 hüvelyk (68 mm)
Lökét	2.204 hüvelyk (56 mm)	2.204 hüvelyk (56 mm)
Olajkapacitás	18 - 20 uncia (.54 - .59 l)	18 - 20 uncia (.54 - .59 l)
2:1 áttételű, nedves tengelykapcsolós fordulatszám-csökkentés – olaj típusa	10W-30	10W-30
2:1 áttételű, nedves tengelykapcsolós fordulatszám-csökkentés – olajkapacitás	10 uncia (.30 l)	10 uncia (.30 l)
6:1 áttételű fordulatszám-csökkentés – olaj típusa	80W-90	80W-90
6:1 áttételű fordulatszám-csökkentés – olajkapacitás	4 uncia (12 l)	4 uncia (12 l)
Gyertyahézag	.030 hüvelyk (.76 mm)	.030 hüvelyk (.76 mm)
Gyújtógyertya-nyomaték	180 fonthüvelyk (20 Nm)	180 fonthüvelyk (20 Nm)
Forgórész légrése	.010 - .013 hüvelyk (.25 - .35 mm)	.010 - .013 hüvelyk (.25 - .35 mm)
Szívószelephézag	.004 - .006 hüvelyk (.10 - .15 mm)	.004 - .006 hüvelyk (.10 - .15 mm)
Kipufogószelep-hézag	.005 - .007 hüvelyk (.15 - .20 mm)	.005 - .007 hüvelyk (.15 - .20 mm)

Műszaki adatok	Modell: 25V000
Lökettérfogat	24.898 köbhüvelyk (408 cc)

Műszaki adatok	Modell: 25V000
Furat	3.465 hüvelyk (88 mm)
Lökét	2.638 hüvelyk (67 mm)
Kábeltartó konzol csavarja	30 fonthüvelyk (3,4 Nm)
Vezetékrögzőítő csavar	25 fonthüvelyk (2,8 Nm)
Olajkapacitás	18 - 20 uncia (.54 - .59 l)
Gyertyahézag	.030 hüvelyk (.76 mm)
Gyújtógyertya-nyomaték	180 fonthüvelyk (20 Nm)
Forgórész légrése	.010 - .013 hüvelyk (.25 - .35 mm)
Szívószelephézag	.004 - .006 hüvelyk (.10 - .15 mm)
Kipufogószelep-hézag	.005 - .007 hüvelyk (.15 - .20 mm)

A motorteljesítmény 3,5%-kal csökken minden 1000 láb (300 méter) tengerszint feletti magasságnövekedés esetén, és 1%-kal minden 77 °F (25 °C) feletti 10 °F (5,6 °C) hőmérséklet-emelkedés esetén. A motor maximum 30° értékű lejtőn működik kielégítően. A megengedett lejtőkre vonatkozólag lásd a berendezés kezelési útmutatóját.

Pótalkatrészek

Briggs & Stratton tartalék alkatrészek megvásárlásához keressen egy hivatalos szervizképviseletet a **BRIGGSandSTRATTON.COM** címen. Szüksége lesz az azonosító számra (modell - típus - burkolat). Tekintse meg a **Funkciók és kezelőszervek** szakaszt a motorazonosító szám megtalálásához.

Teljesítmény-besorolás

Az egyes benzines modellek maximális bruttó energiafelhasználását az SAE (Gépjárműipari mérnökök egyesülete) J1940-es kódjelölése szerint jelöljük, a kismotorok teljesítménye és a forgatónyomaték-besorolás alapján az SAE J1995-ös szerint. A 2600 ford./percet elért forgatónyomaték-értékek az „rpm”-es motoroknál így szerepelnek a címkén, míg az összes többi motornál 3060 RPM szerepel; a lőerőértékeket 3600 RPM-en mérik. A www.BRIGGSandSTRATTON.COM címen tekinthetők meg a bruttó teljesítménygörbék. A nettó értékeket a kipufogó és a légtisztító felszerelése után mérik, míg a bruttó energiafelhasználási értékeket ezek nélkül szerzik be. A valódi bruttó motorteljesítmény nagyobb a nettó motorteljesítménynél, többek között az üzemeltetési körülmények és a motoronként változó különbségek is befolyásolják. A termékek széles skáláját figyelembe véve, amelyekbe a motorokat beszerelik, a benzinmotor egyes motoroknál nem éri el a mért bruttó energiafelhasználást. Ez a különbség többek között számos olyan tényezőnek tudható be, mint például a motor különböző alkotórészei (légtisztító, kipufogó, töltőrendszer, hűtés, karburátor, üzemanyag-szivattyú stb.), az alkalmazási korlátozások, a környezeti működési feltételek (hőmérséklet, páratartalom, tengerszint feletti magasság), illetve a motorok variálhatósága. Gyártási és kapacitáskorlátozások következtében a Briggs & Stratton ezt a motort egy magasabb teljesítmény-besorolású motorral helyettesítheti.

Garancia

Briggs & Stratton® motorgarancia

Hatályos 2022 augusztusától

Korlátozott jótállás

A Briggs & Stratton garantálja, hogy az itt meghatározott garanciaidő alatt díjmentesen megjavít vagy – a Briggs & Stratton saját belátása szerint – újra, felújítottra vagy újból legyártottra cserél minden anyaghibás, gyártási hibás vagy egyszerre anyag- és gyártási hibás alkatrészt. A szállítás költségeit a javításra vagy cserére elküldött termék vonatkozásában a garancia szerint a vásárlónak kell fedeznie. A garancia csak az alábbiakban meghatározott időtartamok és feltételek szerint érvényes. A jótállással kapcsolatos szolgáltatás céljából keresse meg a legközelebbi hivatalos szervizképviseletet a márkakereskedő-kereső térképünkön itt: BRIGGSandSTRATTON.COM. A vevőnek fel kell vennie a kapcsolatot a hivatalos márkaszervizzel, és biztosítania kell, hogy a hivatalos márkaszerviz ellenőrizhesse és megvizsgálhassa az adott terméket.

Nem létezik más kifejezett garancia. A vélelmezett garancia, beleértve az eladhatóságra és az egy sajátos célnak való megfelelésre vonatkozó garanciát, a vásárlás napjától számított egy évre vagy a törvény által megállapított időtartamra korlátozódik. Minden más vélelmezett garancia ki van zárva. A véletlen vagy következményes károk ki vannak zárva a garanciából a törvény által megengedett határig. Egyes államokban vagy országokban nem engedélyeznek olyan korlátozást, hogy mennyi ideig tart valamely vélelmezett garancia és bizonyos államokban vagy országokban nem engedélyezik a járulékos vagy következményes károk kizárását vagy korlátozását, így lehetséges, hogy a fenti korlátozás és kizárás önre nem vonatkozik. Jelen jótállás meghatározott jogokat biztosít Önnek, és elképzelhető, hogy egyéb jogai is vannak, ezek azonban államról államra illetve országról országra változnak.

A normál garancia feltételei ^{1, 2}

Vanguard®; Kereskedelmi terméksorozat

A normál garancia feltételei ^{1, 2}
Fogyasztói használat - 36 hónap
Kereskedelmi használat - 36 hónap
XR sorozat
Fogyasztói használat - 24 hónap
Kereskedelmi használat – 24 hónap
Minden más motor Dura-Bore™ öntöttvas persellyel
Fogyasztói használat - 24 hónap
Kereskedelmi használat - 12 hónap
Minden más motor
Fogyasztói használat - 24 hónap
Kereskedelmi használat - 3 hónap

¹ Ezek a normál jótállási feltételeink, de esetenként további garanciális fedezet is létezhet, amelyet a közzététel időpontjában még nem határoztunk meg. Ha meg szeretné ismerni a motorjára vonatkozó jótállási feltételek jelenlegi listáját, keresse fel a BRIGGSandSTRATTON.com webhelyet, vagy vegye fel a kapcsolatot egy Briggs & Stratton hivatalos szervizképviselővel.

² Nincs jótállás a közmű helyett elsődleges energiaellátásra használt berendezések motorjaira, a kereskedelmi célokra használt készenléti generátorokra, a 25 MPH sebességet meghaladó haszonjárművekre, valamint a versenyeken, illetve a kereskedelmi vagy bérelt pályákon használt motorokra.

* Ausztráliában – Termékeink olyan garanciákkal rendelkeznek, amelyek az ausztrál fogyasztóvédelmi törvény szerint nem zárhatók ki. Ön cseréje vagy pénz visszatérítésre jogosult a súlyosabb hibák esetében, és kártérítésre minden más reálisan előrelátható veszteségért vagy kárért. Akkor is joga van a termékek javítására vagy cseréjére, ha a termékek minősége nem megfelelő, és a meghibásodás nem minősül súlyosnak. Garanciális szervizszolgáltatás igénybevétele céljából keresse meg a legközelebbi hivatalos szervizképviselőt márkakereskedő-kereső térképünkön a BRIGGSandSTRATTON.COM webhelyen, hívja az 1300 274 447 számot, küldjön e-mailt a salesenquires@briggsandstratton.com.au címre vagy levelet a Briggs & Stratton Australia Pty Ltd, 1 Moorebank Avenue, Moorebank, NSW, Australia, 2170 címre.

A jótállási időszak az első kiskereskedelmi fogyasztó vagy kereskedelmi végfelhasználó általi vásárlás napjától lép érvénybe, és a fenti táblázatban megadott időszakra szól. A „fogyasztói felhasználás” a kiskereskedelmi fogyasztó által való személyes lakóhelyi háztartási felhasználást jelenti. A „kereskedelmi felhasználás” minden egyéb felhasználást jelent, beleértve a kereskedelmi, jövedelemtermelő és bérelti célú felhasználást. Ha egy motor egyszer már kereskedelmi használatba került, akkor ezt követően a jelen garancia szempontjából kereskedelmi felhasználású motornak kell tekinteni.

Nincs szükség garanciajegyzésre a Briggs & Stratton márkájú termékek garanciajogának érvényesítéséhez. Őrizze meg a vásárlást igazoló nyugtát. Ha nem igazolja az eredeti beszerzés dátumát a garanciális szerviz igénylésének időpontjában, akkor a termék gyártási időpontját veszik figyelembe a jótállási időszak meghatározásához.

A garanciájáról

Ez a garancia csak a motorral kapcsolatos anyag- és/vagy gyártási hibákra vonatkozik, nem pedig annak a berendezésnek a cseréjére vagy árának visszatérítésére, amelyre az illető motor fel van szerelve. A normál karbantartáshoz szükséges anyagokra, teljesítménynövelő beállításokra, beállításokra vagy normál felhasználásra ill. szakadásra nem vonatkozik a garancia. Hasonlóképpen nem vonatkozik a garancia arra az esetre, amikor megváltoztatták vagy módosították a motort, továbbá megromolták vagy eltávolították a motorszámot. Ez a garancia nem vonatkozik az alábbi okok miatti motorkárookra vagy teljesítményproblémákra:

1. Olyan alkatrészek használata, amelyek nem Briggs & Stratton
2. A motor működtetése elégtelen, szennyezett vagy nem megfelelő konzisztencia besorolású kenőolajjal;
3. Szennyezett vagy állott üzemanyag, 10%-nál nagyobb etanoltartalmú benzin vagy alternatív üzemanyagok használata, mint cseppfolyósított szénhidrogén vagy földgáz, olyan motorokban, melyeket a Briggs & Stratton eredetileg nem ilyen üzemanyagokkal való működésre tervezett/gyártott;
4. Szennyeződés, amelynek a motorba való bejutását nem megfelelő levegőszűrő karbantartás vagy visszaszerelés okozta;
5. A forgóképes fűnyíró késével egy tárgynak ütközés, laza vagy nem megfelelően felszerelt késadapterek, turbinakerekek vagy más főtengellyel összekötött eszközök, továbbá túl szoros ékszíj;
6. Tartozékok vagy részgységek, mint tengelykapcsolók, sebességváltók, berendezés kezelőszervek stb., amelyeket nem a Briggs & Stratton szállított;
7. Lenyírt fűdarabok, szennyeződés, nyesedék vagy rágcsáló bűvőhelyanyagai miatti túlmelegedés, melyek eldugaszolják illetve eltömítik a hűtőbordákat vagy a lendkerék környékét, továbbá a motornak megfelelő szellőzés nélküli működtetése;

8. Túlzott vibráció értéken felüli sebességgel történő működtetés, laza motorrögzítés, laza illetve kiegyensúlyozatlan vágókések vagy turbinák, továbbá a berendezés alkotóelemeinek nem megfelelő főtengely csatlakoztatása miatt;
9. Nem rendeltetésszerű használat, a rendszeres karbantartás hiánya, a berendezés szállítása, kezelése vagy raktározása, ill. nem megfelelő motor beszerelés.

A jótállási szolgáltatás kizárólag a Briggs & Stratton hivatalos márkaszervizeiben vehető igénybe. Keresse meg a legközelebbi hivatalos szervizképviselőt a márkakereskedő-kereső térképünkön a BRIGGSandSTRATTON.COM webhelyen, vagy hívja az 1-800-444-7774 számot (az Egyesült Államokban).

80114782 (A átdolgozás)

Bendroji informacija



Šiame vadove pateikta saugumo informacija apie pavojus ir riziką, susijusius su šiuo varikliu, ir kaip jų išvengti. Jame taip pat yra taisyklingo variklio naudojimo ir priežiūros instrukcijos. Svarbu, kad perskaitytumėte, suprastumėte ir laikytumėtės šių instrukcijų. **Išsaugokite šį vadovą ateičiai.**

PASTABA: Šiame vadove esantys paveikslėliai ir iliustracijos yra tik pavyzdžiai, jie gali skirtis nuo jūsų modelio. Remkitės jūsų variklio konfigūraciją atitinkančiais paveikslėliais. Jei reikia, kreipkitės į įgaliotąjį techninės priežiūros atstovą.

Užsirašykite variklio modelį, tipą, partijos numerį ir įsigijimo datą, jei prireiktų keičiamųjų dalių. Šiuos numerius rasite ant variklio. Žr. skyrių **Funkcijos ir valdikliai**.

Pirkimo data	
Variklio modelis – tipas – apdaila	
Variklio serijos numeris	

Biuro Europoje kontaktinė informacija

Dėl klausimų, susijusių su dujų išlakomis Europoje, kreipkitės į mūsų biurą Europoje, adresu:

Max-Born-Straße 2, 68519 Viernheim, Vokietija.

Europos Sąjunga (ES), V etapas (5): Anglies dioksido (CO2) vertės

Iveskite raktinį paieškos žodį „CO2“ BriggsandStratton.com puslapio paieškos laukelyje, norėdami rasti „Briggs & Stratton“ ES tipą patvirtinančią sertifikatą turinčių variklių anglies dioksido vertes.

Operatoriaus sauga

Saugos įspėjimo ženklas ir įspėjamieji žodžiai



Saugos įspėjimo ženklas žymi saugos informaciją dėl pavojų, galinčių sukelti traumas. Įspėjamasis žodis (**PAVOJUS**, **ĮSPĖJIMAS** arba **ATSARGIAI**) naudojamas, siekiant parodyti galimo sužeidimo tikimybę ir sunkumą. Be to, pavojaus ženklas naudojamas pavojaus tipui nurodyti.

PAVOJUS – kai kyla rimtas mirtino arba sunkaus sužeidimo pavojus.

ĮSPĖJIMAS – kai kyla galimo mirtino arba sunkaus sužeidimo pavojus.

ATSARGIAI reiškia pavojų, kuris, jo nevengiant, gali sukelti lengvą ar vidutinį sužalojimą.

PASTABA nurodo svarbią informaciją, tiesiogiai nesusijusią su pavojais.

Pavojaus ženklai ir jų reikšmės

Saugos informacija apie pavojus, kurie gali baigtis susižalojimu.	Prieš naudodami įrenginį arba prieš vykdydami jo techninės priežiūros darbus, perskaitykite naudojimo instrukciją ir įsisavinkite joje pateiktą informaciją.
Gaisro pavojus	Sprogimo pavojus
Elektros smūgio pavojus	Nuodingų dujų pavojus
Karštų paviršių keliamas pavojus	Atatrankos pavojus
Amputacijos pavojus – judančios dalys	Degalų lygis – maksimalus. Neperpildykite

Saugos pranešimai



ĮSPĖJIMAS

„Briggs & Stratton®“ varikliai nėra skirti ir negali būti naudojami kaip energijos šaltinis: pramoginiuose ar sportiniuose kartinguose; vaikiškuose, pramoginiuose ar sportiniuose keturračiuose (ATV); motocikluose; transporto priemonėse su oro pagalve; aviacijos gaminiuose; arba varžyboms naudojamose mašinos, kurių nepatvirtino „Briggs & Stratton“. Informacijos apie lenktynėms skirtus gaminius rasite svetainėje www.briggsracing.com. Dėl naudojimo universaliuose keturračiuose ir bagiuose kreipkitės į „Briggs & Stratton“ variklių taikymo centrą, 1-866-927-3349. Netinkamas variklio naudojimas gali sukelti sunkią ar mirtiną traumą.

Informacija apie atliekų surinkimą ir perdirbimą

		Visas dėžes, naudotą alyvą ir senus akumuliatorius atiduokite perdirbti, atsižvelgdami į galiojančius valstybės teisės aktus.
--	--	---

Funkcijos ir valdikliai

Variklio valdytuvai

Palyginkite išnašų raišes 1, 2 ir 3 paveikslėliuose su toliau pateiktame sąrašė nurodytais variklio valdikliais:

- Variklio identifikacijos numeriai **Modelis – tipas – kodas**
- Uždegimo žvakė
- Degalų bakas ir dangtelis
- Oro filtras
- Starterio laido rankena
- Alyvos lygio matuoklis
- Alyvos pildymo anga
- Alyvos išleidimo kaištis
- Duslintuvas, duslintuvo apsauga (jei sumontuota), kibirkščių slopintuvas (jei sumontuotas)
- Traukos reguliatorius / degalų sklendė / „TransportGuard™“
- Oro sklendės valdiklis
- Oro įsiurbimo grotelės
- Elektrinės užvedimo sistemos jungiklis (jei sumontuotas)
- Pavaros įrenginys (jei sumontuotas)

Tam tikri varikliai ir įranga turi nuotolinio valdymo pultelius. Daugiau informacijos rasite nuotolinės valdymo įrangos naudojimo vadove.

Variklio valdiklių ženklai ir jų reikšmės

Variklio apsukos – GREITOS	Variklio apsukos – LĖTOS
Variklio apsukos – SUSTABDYTOS	JUNGTAS / IŠJUNGTAS
Variklio paleidimas Oro sklendė UŽDARYTA	Variklio paleidimas Oro sklendė ATIDARYTA
Degalų bako dangtelis Degalų tiekimo atjungimo sklendė ATIDARYTA	Degalų tiekimo atjungimo sklendė UŽDARYTA

Surinkimas

Greičio reguliatoriaus konversija

Standartinis variklis turi rankinį traukos reguliatorių. Norėdami naudoti rankinį traukos reguliatorių, įdiegti nuotolinį traukos reguliatorių arba nustatyti fiksuotus variklio sūkius, vadovaukitės atitinkamomis instrukcijomis toliau.

PASTABA: Variklio sūkliai turi atitikti nurodytuosius įrangos gamintojo veikimo specifikacijoje. Dėl pagalbos kreipkitės į įgaliotą „Briggs & Stratton“ techninės priežiūros atstovą.

Rankinis traukos reguliatorius

1. Nustatykite traukos reguliatorių / „TransportGuardSM“ svirtį (A, 4 pav.) į padėtį IŠJUNGTI.
2. Nuimkite spyruoklę (S, 4 pav.).

Nuotolinis traukos reguliatorius su pinto laido kabeliu

Nuotolinio traukos reguliatoriaus su pinto laido kabeliu montavimo kryptis gali būti viena iš dviejų: **cilindro galvutės kryptis** arba **kryptis į priekį**.

cilindro galvutės kryptis

1. Nustatykite traukos reguliatorių / „TransportGuardSM“ svirtį (A, 5 pav.) į padėtį IŠJUNGTI.
2. 10 mm raktu ½ pasukimo atlaisvinkite veržlę (P, 5 pav.), esančią ant traukos reguliatoriaus / „TransportGuardSM“ svirties (A).
3. 10 mm raktu laikykite kabelio tvirtinimo veržlę (J, 6 pav.) ir atlaisvinkite varžtą (K).
4. Įstatykite kabelio laidą (L, 6 pav.) per kabelio tvirtinimo veržlės (J) angą ir priveržkite varžtą (K). Įsitinkite, kad kabelio laidas (L) neišsikiša iš angos daugiau negu ½ colio (12,7 mm).
5. Atlaisvinkite varžtą (I, 6 pav.). Pritvirtinkite laido movą (N) prie kabelio gnybto (M) ir priveržkite varžtą (I).
6. Patikrinkite nuotolinio traukos reguliatoriaus veikimą. 2–3 kartus perjunkite nuotolinį traukos reguliatorių iš mažų į didelius sūkius. Įsitinkite, kad nuotolinis traukos reguliatorius ir kabelis (L, 6 pav.) laisvai juda. Pakoreguokite veržlę (P, 7 pav.), atsižvelgdami į nurodytą padėtį.

Priekinė kryptis

1. Sureguliuokite traukos reguliatorių / „TransportGuardSM“ svirtį:
 - a. **10V000 ir 12V000 modelių varikliams:** Nustatykite traukos reguliatorių / „TransportGuardSM“ svirtį (A, pav. 8) į padėtį GREITAS.
 - b. **25V000 modelių varikliams:** Nustatykite traukos reguliatorių / „TransportGuardSM“ svirtį (A, pav. 8) į padėtį IŠJUNGTI.
2. 10 mm raktu ½ pasukimo atlaisvinkite veržlę (P, pav. 7), esančią ant traukos reguliatoriaus / „TransportGuardSM“ svirties (A).
3. 10 mm raktu laikykite kabelio tvirtinimo veržlę (J, pav. 8) ir atlaisvinkite varžtą.
4. Įstatykite kabelio laidą (L, pav. 8) per kabelio tvirtinimo veržlės (J) angą ir priveržkite varžtą (K). Įsitinkite, kad kabelio laidas (L) neišsikiša iš angos daugiau negu ½ colio (12,7 mm).
5. Atlaisvinkite varžtą (I, pav. 8). Pritvirtinkite laido movą (N) prie kabelio gnybto (M) ir priveržkite varžtą (I).
6. Patikrinkite nuotolinio traukos reguliatoriaus veikimą. 2–3 kartus perjunkite nuotolinį traukos reguliatorių iš mažų į didelius sūkius. Įsitinkite, kad nuotolinis traukos reguliatorius ir kabelis (L, 8) juda laisvai. Pakoreguokite veržlę (P, pav. 7), atsižvelgdami į nurodytą padėtį.

Nuotolinis traukos reguliatorius su vientiso laido kabeliu

Nuotolinio traukos reguliatoriaus su vientiso laido kabeliu montavimo kryptis gali būti viena iš keturių: **cilindro galvutės kryptis**, **į priekį**, **į kairę** arba **į dešinę**.

cilindro galvutės kryptis

1. Nustatykite traukos reguliatorių / „TransportGuardSM“ svirtį (A, 9 pav.) į padėtį IŠJUNGTI.
2. Nuimkite spyruoklę (S, 9 pav.).
3. Nustatykite traukos reguliatorių / „TransportGuardSM“ svirtį (A, 9 pav.) į padėtį GREITAS.
4. 10 mm raktu ½ pasukimo atlaisvinkite veržlę (P, 4 pav.), esančią ant traukos reguliatoriaus / „TransportGuardSM“ svirties (A).
5. Sumontuokite Z formos jungiamąją detalę prie vientiso laido kabelio (Q, 9 pav.), prijungdami ją prie vienos iš mažų angų išlenktame skriejike (R).
6. Atlaisvinkite varžtą (I, 9 pav.). Pritvirtinkite laido movą (N) prie kabelio gnybto (M) ir priveržkite varžtą (I).
7. Patikrinkite nuotolinio traukos reguliatoriaus veikimą. 2–3 kartus perjunkite nuotolinį traukos reguliatorių iš mažų į didelius sūkius. Įsitinkite, kad nuotolinis traukos reguliatorius ir kabelis (L, 9 pav.) laisvai juda. Pakoreguokite veržlę (P, 4 pav.), atsižvelgdami į nurodytą padėtį.

Priekinė kryptis

1. Nustatykite traukos reguliatorių / „TransportGuardSM“ svirtį (A, 10 pav.) į padėtį IŠJUNGTI.

2. Nuimkite spyruoklę (S, 10 pav.).
3. Nustatykite traukos reguliatorių / „TransportGuardSM“ svirtį (A, 10 pav.) į padėtį GREITAS.
4. 10 mm raktu ½ pasukimo atlaisvinkite veržlę (P, 4 pav.), esančią ant traukos reguliatoriaus / „TransportGuardSM“ svirties (A).
5. Sumontuokite Z formos jungiamąją detalę prie vientiso laido kabelio (Q, 10 pav.), prijungdami ją prie vienos iš dviejų mažų angų išlenktame skriejike (R).
6. Atlaisvinkite varžtą (I, 10 pav.). Pritvirtinkite laido movą (N) prie kabelio gnybto (M) ir priveržkite varžtą (I).
7. Patikrinkite nuotolinio traukos reguliatoriaus veikimą. 2–3 kartus perjunkite nuotolinį traukos reguliatorių iš mažų į didelius sūkius. Įsitinkite, kad nuotolinis traukos reguliatorius ir kabelis (L, 10 pav.) juda laisvai. Pakoreguokite veržlę (P, 4 pav.), atsižvelgdami į nurodytą padėtį.

Kairė kryptis

1. Nustatykite traukos reguliatorių / „TransportGuardSM“ svirtį (A, 11 pav.) į padėtį IŠJUNGTI.
2. Nuimkite spyruoklę (S, 4 pav.).
3. Nustatykite traukos reguliatorių / „TransportGuardSM“ svirtį (A, 11 pav.) į padėtį GREITAS.
4. 10 mm raktu ½ pasukimo atlaisvinkite veržlę (P, 4 pav.), esančią ant traukos reguliatoriaus / „TransportGuardSM“ svirties (A, 11 pav.).
5. Išimkite traukos reguliatoriaus rankenėlę (W, 11 pav.), kad galėtumėte patekti į mažą angą (S).
6. Sumontuokite Z formos jungiamąją detalę prie vientiso laido kabelio (L, 11 pav.), prijungdami ją prie mažos angos (S) traukos reguliatoriaus svirtyje (A).
7. Atlaisvinkite varžtą (I, 11 pav.). Pritvirtinkite laido movą (N) prie kabelio gnybto (M) ir priveržkite varžtą (I).
8. Patikrinkite nuotolinio traukos reguliatoriaus veikimą. 2–3 kartus perjunkite nuotolinį traukos reguliatorių iš mažų į didelius sūkius. Įsitinkite, kad nuotolinis traukos reguliatorius ir kabelis (L, 11 pav.) juda laisvai. Pakoreguokite veržlę (P, 4 pav.), atsižvelgdami į nurodytą padėtį.

Dešinė kryptis

Norint sumontuoti nuotolinį traukos reguliatorių iš dešinės pusės, reikės kabelio tvirtinimo laikiklio (U, 12 pav.). Dalies numeris nurodytas skyriuje **Specifikacija ir atsarginės dalys**. Norėdami įsigyti kabelio tvirtinimo laikiklį, kreipkitės į „Briggs & Stratton“ įgaliotą aptarnavimo atstovą.

1. Nustatykite traukos reguliatorių / „TransportGuardSM“ svirtį (A, 12 pav.) į padėtį IŠJUNGTI.
2. Nuimkite spyruoklę (S, 4 pav.).
3. Išimkite traukos reguliatoriaus rankenėlę (W, 12 pav.), kad atsidarytų maža anga (S).
4. Nustatykite traukos reguliatorių / „TransportGuardSM“ svirtį (A, 12 pav.) į padėtį GREITAS.
5. 10 mm raktu ½ pasukimo atlaisvinkite veržlę (P, 4 pav.), esančią ant traukos reguliatoriaus / „TransportGuardSM“ svirties (A, 12).
6. Sumontuokite Z formos jungiamąją detalę prie vientiso laido kabelio (L, 12 pav.), prijungdami ją prie mažos angos (S) traukos reguliatoriaus svirtyje (A).
7. Išimkite varžtą (T, 12 pav.). Įstatykite kabelio tvirtinimo laikiklį (U) į vietą, kaip parodyta. Pritvirtinkite kabelio tvirtinimo laikiklį (U) varžtu (T). Priveržkite varžtą (T) iki 30 sv.-col. (3,4 Nm) sukimo momento. Žr. skyrių **Specifikacija ir atsarginės dalys**.
8. Atlaisvinkite varžtą (I, 12 pav.). Pritvirtinkite laido movą (N) prie kabelio gnybto (M) ir priveržkite varžtą (I).
9. Patikrinkite nuotolinio traukos reguliatoriaus veikimą. 2–3 kartus perjunkite nuotolinį traukos reguliatorių iš mažų į didelius sūkius. Įsitinkite, kad nuotolinis traukos reguliatorius ir kabelis (L, 12 pav.) juda laisvai. Pakoreguokite veržlę (P, 4 pav.), atsižvelgdami į nurodytą padėtį.

Fiksuoti variklio sūkliai (be traukos reguliavimo kabelio)

Konvertavus į „Fiksuoti variklio sūkliai“, nebėra traukos reguliavimo kabelio ir negalima pasirinkti sūkių. Vienintelis variklio sūkių nustatymas yra DIDELI SŪKLIAI.

1. Nustatykite traukos reguliatorių / „TransportGuardSM“ svirtį (A, 13 pav.) į padėtį IŠJUNGTI.
2. Nuimkite spyruoklę (S, 13 pav.).
3. Nustatykite traukos reguliatorių / „TransportGuardSM“ svirtį (A, 13 pav.) į padėtį GREITAS.
4. Įsitinkite, kad laidų fiksuojamas varžtas (V, 13 pav.) yra sulgyjuotas su anga laikiklyje. Priveržkite varžtą (V) iki 25 sv.-col. (2,8 Nm) sukimo momento.
5. Pašalinkite valdymo saitą (H, 13 pav.).

PASTABA: Dabar traukos reguliatorius / „TransportGuard[®]“ svirtis galės būti tik dviejose padėtyse. padėtyje SUSTABDYTI / IŠJUNGTA ir padėtyje EIGA.

6. Ant esamo greičio valdiklio lipduko apdailos skydelyje (F) užklijuokite naują lipduką / IŠJUNGIMO „TransportGuard[®]“ lipduką (O, 14 pav.).

Naudojimas



ĮSPĖJIMAS

Degalų garai yra degūs ir sproguūs. Ugnis arba sproginimas gali jus nudeginti arba užmušti.

Užuodę dujas

- Variklio nepaleiskite.
- Nejunkite elektros jungiklių.
- Nenaudokite telefono artimoje aplinkoje.
- Išveskite visus žmones iš tos zonos.
- Kreipkitės į priešgaisrinės apsaugos tarnybą.

Naudodami įrangą

- Neverskite variklio arba įrangos ant šono, nes gali išsilieti degalai.

Keisdami įrangos vietą

- Įsitikinkite, kad degalų bakas yra TUŠČIAS arba kad degalų tiekimo atjungimo sklendė (jei sumontuota) yra nustatyta į padėtį UŽDARYTA.

Patikrinkite alyvos lygį

Prieš tikrinant arba papildant alyvos

- Įsitikinkite, kad variklis yra horizontalioje padėtyje.
- Nuvalykite purvą nuo alyvos pildymo vietos.
- Duomenis apie alyvos talpą rasite skyriuje **Specifikacijos**.

PASTABA

Variklis iš Briggs & Stratton gamyklos pristatomas be alyvos. Įrangos gamintojai arba pardavėjai galėjo pripilti alyvos į variklį. Prieš paleisdami variklį pirmą kartą, įsitikinkite, kad alyvos lygis tinkamas. Papildykite alyvos, kaip nurodyta šiame vadove. Paleidus variklį be alyvos, jis bus sugadintas ir jam nebus taikoma garantija.

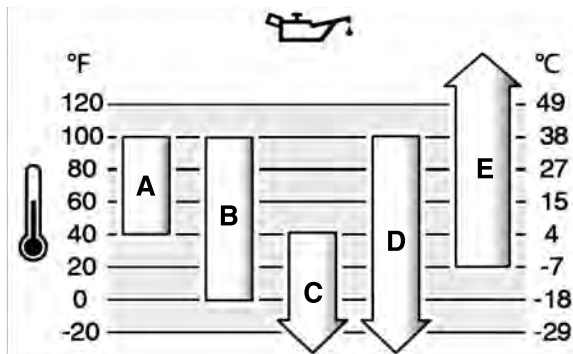
1. Ištraukite lygio matuoklį (A, 15 pav.) ir nušluostykite jį skudurėliu
2. Įstatykite ir priveržkite lygio matuoklį (15 pav., A).
3. Ištraukite matuoklį ir patikrinkite alyvos lygį. Pasirūpinkite, kad alyvos lygis siektų viršutinę alyvos lygio matuoklio žymą (15 pav., B).
4. Variklis turi dvi alyvos pildymo angas (C, G, 16 pav.). Jeigu alyvos lygis žemas, lėtai pripilkite alyvos į variklio alyvos pildymo angą (C, G). Nepripilkite per daug alyvos. Papildę alyvos palaukite vienos minutę ir dar kartą patikrinkite alyvos lygį. Įsitikinkite, kad alyvos lygis tinkamas.
5. Įstatykite ir priveržkite lygio matuoklį (15 pav., A).

Alyvos rekomendacijos

Alyvos talpa: Žr. skyrių **Specifikacijos**.

Jei norite, kad įranga veiktų optimaliai, rekomenduojame naudoti „Briggs & Stratton[®]“ sertifikuotas alyvas. Galite naudoti ir kitas aukštos kokybės alyvas, priskiriamas SF, SG, SH, SJ arba aukštesnei klasei. Nenaudokite specialių priedų.

Norėdami parinkti tinkamiausio klampumo alyvą, vadovaukitės numatomomis oro sąlygomis ir pateikta lentele. Daugeliui lauke naudojamų elektrinių įrenginių variklį tinka 5W-30 sintetinė alyva. Jei įranga eksploatuojama aukštos temperatūros aplinkoje, rekomenduojame naudoti „Vanguard[®]“ 15W-50 sintetinę alyvą.



B	10W-30 – jeigu 10W-30 alyva naudojama aukštesnės nei 80 °F (27 °C) temperatūros aplinkoje, gali padidėti alyvos sąnaudos. Dažnai tikrinkite alyvos lygį.
C	5W-30
D	Sintetinė 5W-30
E	Vanguard [®] sintetinė 15W-50

Apsaugos sistema nuo nepakankamo alyvos kiekio (jeigu yra sumontuota)

Kai kuriuose varikliuose yra sumontuotas žemo alyvos lygio jutiklis. Jei alyvos mažai, jutikliui suveikus užsideda įspėjamasis indikatorius arba išjungiamas variklis. Išjunkite variklį ir atlikite šiuos veiksmus prieš užvesdami variklį.

- Įsitikinkite, kad variklis yra nustatytas į horizontalią padėtį.
- Patikrinkite alyvą. Žiūrėkite skyrių **Alyvos lygio tikrinimas**.
- Jei alyvos lygis žemas, įpilkite reikiamą alyvos kiekį. Užveskite variklį ir įsitikinkite, kad įspėjamasis indikatorius (jei sumontuotas) neužsideda.
- Jei alyvos lygis nėra žemas, nepaleiskite variklio. Kreipkitės į „Briggs & Stratton“ įgaliotąjį techninės priežiūros atstovą, kad pašalintų su alyva susijusią problemą.

Rekomendacijos dėl degalų

Degalai turi atitikti šiuos reikalavimus:

- Švarūs, švieži, be švino.
- Minimalus oktaninis skaičius 87 / 87 AKI (91 RON). Jeigu dirbate dideliame aukštyje virš jūros lygio, žr. toliau.
- Leidžiama naudoti degalų mišinius, kuriuose yra iki 10 % etanolio.

PASTABA

Nenaudokite nepatvirtinto tipo degalų, pvz., E15 ir E85. Nemaišykite benzino su alyva ir nebandykite perdirbti variklio, kad jis veiktų su kitais degalais. Dėl netinkamų degalų naudojimo variklio dalys gali sugesti ir garantija jam nebegalios.

Norėdami apsaugoti degalų sistemą nuo nuosėdų ir korozijos, į degalus įmaišykite kuro stabilizatoriaus (be alkoholio) ir etanolio. Žr. skyrių **Laikymas**. Ne visi degalai yra vienodi. Jeigu variklis blogai veikia, pakeiskite degalų tiekėją arba markę. Šis variklis yra sertifikuotas naudoti benzina. Išmetamųjų dujų kontrolės sistema varikliams su karbiuratoriais yra EM (variklio modifikacija). Išmetamųjų dujų kontrolės sistema varikliams su elektroniniu kuro įpurškimu yra ECM (variklio valdymo modulis), MPI (daugiataškis kuro įpurškimas), TBI (degalų įpurškimas droselio korpuse) ir, jei įrengtas, O2S (deguonies jutiklis).

Didelis aukštis virš jūros lygio

Dirbant didesniame nei 5 000 pėdų (1 524 metrų) aukštyje virš jūros lygio leidžiama naudoti ne mažesnio kaip 85 oktaninio skaičiaus / 85 AKI (89 RON) benzina.

Norint užtikrinti tinkamas variklio su karbiuratoriumi darbinės charakteristikas, būtina sureguliuoti aukščio virš jūros lygio nustatymą. Neatlikus tokio reguliavimo sumažės variklio našumas, padidės degalų sąnaudos ir išmetamųjų dujų kiekis. Dėl informacijos, kaip nustatyti įrenginį darbu aukštumose, kreipkitės į įgaliotąjį Briggs & Stratton techninės priežiūros atstovą. Nerekomenduojama naudoti variklio, nustatyto dirbti dideliame aukštyje, mažesniame nei 2 500 pėdų (762 metrų) aukštyje.

Varikliuose su elektrine kuro įpurškimo sistema (EFI) didelės altitudės reguliavimas nėra reikalingas.

Degalų pildymas



ĮSPĖJIMAS

Degalai ir jų garai yra degūs ir sproguūs. Ugnis arba sproginimas gali jus nudeginti arba užmušti.

Pildami degalus

- Išjunkite variklį. Prieš nuimdami degalų dangtelį, palaukite mažiausiai dvi (2) minutes, kad variklis atvėstų.
- Pildykite degalų baką lauke arba gerai vėdinamose patalpose.
- Nepilkite per daug degalų į baką. Kadangi degalai gali plėstis, nepilkite virš apatinės degalų bako kaklelio ribos.
- Saugokite degalus nuo kibirkščių, atviros ugnies, nuolat įjungtų dujų degiklių, šilumos ir kitų uždegimo šaltinių.
- Dažnai tikrinkite, ar degalų žarnos, degalų bakas, degalų dangtelis ir jungtys neįtrūkė ir neprateka. Pakeiskite apgadintas detales.
- Jeigu išsilietę degalai, prieš paleisdami variklį palaukite, kol jie išgaruos.

1. Nuvalykite aplink degalų dangtelį esantį purvą ir nešvarumus. Atsukite degalų bako dangtelį.
2. Į degalų baką (A, 17 pav.) pripilkite degalų. Kadangi degalai plėsis, nepilkite virš apatinės degalų bako kaklelio (B) ribos.
3. Užsukite degalų bako dangtelį.

A SAE 30 – jeigu SAE 30 alyva naudojama žemesnės nei 40 °F (4 °C) temperatūros aplinkoje, gali kilti problemų paleidžiant variklį.

Variklio užvedimas



ĮSPĖJIMAS

NUODINGŲ IŠMETAMŲJŲ DUJŲ KELIAMAS PAVOJUS. Variklio išmetamosiose dujose yra anglies monoksido – nuodingų dujų, kurios per kelias minutes gali sukelti mirtį. Net jeigu neužuodžiate išmetamųjų dujų kvapo, vis tiek galite būti paveikti pavojingų anglies monoksido dujų. Jeigu naudodami šį gaminį pajustumėte pykinimą, galvos svaigimą ar silpnumą, **NEDELSDAMI** išeikite pakvėpuoti grynu oru. Kreipkitės į gydytoją. Galite apsinuodyti anglies monoksidu.

- Anglies monoksido dujos gali kauptis uždaruose plotuose. Kad sumažėtų anglies monoksido keliamas pavojus, naudokite šį gaminį TIK lauke kuo toliau nuo langų, durų ar ventilacijos angų.
- Įrenkite akumulatorinius anglies monoksido detektorius arba elektrinius anglies monoksido detektorius su atsarginiu akumuliatoriumi, vadovaudamiesi gamintojo instrukcijomis. Dūmų detektoriai negali fiksuoti anglies monoksido dujų.
- **NEJUNKITE** šio gaminio namuose, garažuose, rūsiuose, koridoriuose, pašiūrose ar kitose uždaruose vietose, net jei ventilacijai naudojate ventilatorius arba esate atidarę duris bei langus. Panaudojus šį gaminį, anglies monoksidas gali greitai susikaupti šiose vietose ir likti valandų valandas.
- **VISADA** orientuokite gaminį pavėjui ir nukreipkite variklio išmetamųjų dujų vamzdį nuo žmonių.



ĮSPĖJIMAS

Degalai ir jų garai yra degūs ir sprogūs. Ugnis arba sproginimas gali jus nudeginti arba užmušti.

Paleisdami variklį

- Įsitinkite, kad uždegimo žvakė, duslintuvas, degalų bako dangtelis ir oro filtras (jei įrengtas) yra tinkamai sumontuoti.
- Nebandykite užvesti variklio, kai išimta degimo žvakė.
- Jei variklis užlietas, nustatykite oro sklendę (jei yra) į padėtį ATIDARYTA arba PALEISTI. Droselinę sklendę (jei yra) nustatykite į padėtį GREITAS ir paleidinėkite variklį tol, kol jis pasileis.
- Jeigu netoliese yra gamtinių arba LP dujų nuotėkis, nepaleiskite variklio.
- Kadangi garai yra degūs, negalima suslėgti paleidimui skirtų skysčių.



ĮSPĖJIMAS

Besisukančios dalys gali įtraukti rankas, kojas, plaukus, aprangą arba kokią daiktą ir sukelti trauminę amputaciją ar plėštinę žaizdą.

- Įrangą naudokite su tinkamai sumontuotomis apsaugomis.
- Laikykitės rankas ir kojas toliau nuo besisukančių dalių.
- Nusiimkite papuošalus ir žiūrėkite, kad ilgi plaukai būtų atokiau nuo besisukančių dalių.
- Nedėvėkite palaidų drabužių ar daiktų, kuriuos galėtų įtraukti variklis.



ĮSPĖJIMAS

Greitas starterio laido susisukimas gali patraukti ranką greičiau, negu spėsite paleisti rankenėlę. Jums gali lūžti kaulai, atsirasti nubrozdinimai, sumušimai ir pasitempti sausgyslės.

- Kad to išvengtumėte, norėdami paleisti variklį, lėtai traukite starterio laidą, kol pajusite pasipriešinimą, o tada staigiu ir greitu judesiu paleiskite variklį.
- Prieš paleisdami variklį, atjunkite ar nuimkite visą pašalinę įrangą ir variklio apkrovą.
- Įsitinkite, kad tiesiogiai prijungti įrangos komponentai, tokie kaip peiliai, sparnuotės, skriemuliai, krumpliaračiai ir t. t., yra saugiai pritvirtinti.

PASTABA: Jūsų įrangą gali turėti nuotolinius valdiklius. Jų vieta ir veikimo būdas nurodyti nuotolinių valdiklių naudojimo instrukcijoje.

1. Patikrinkite variklio alyvą. Žiūrėkite skyrių **Alyvos lygio tikrinimas**.
2. Jeigu yra įrangos pavaros valdikliai, įsitinkite, kad jie išjungti.
3. Nustatykite greičio reguliatoriaus svirtį į „TransportGuard“[®] (A, 18 pav.), jei yra, į padėtį GREITAS arba PALEISTI. Dirbkite su varikliu, kai reguliatorius yra nustatytas į padėtį GREITAS arba PALEISTI.
4. Oro sklendės valdiklį (B, 18 pav.) nustatykite į padėtį UŽDARYTI.

Užvedant šiltą variklį, įprastai droselinės sklendės naudoti nereikia.

5. **Rankinis starteris, jeigu yra.** Tvirtai laikykite suėmę starterio trosą rankeną (C, 18 pav.). Lėtai traukite už starterio laido rankenos, kol pajusite pasipriešinimą, tada staigiu judesiu užveskite variklį.



ĮSPĖJIMAS

Greitas starterio laido susisukimas gali patraukti ranką greičiau, negu spėsite paleisti rankenėlę. Jums gali lūžti kaulai, atsirasti nubrozdinimai, sumušimai ir pasitempti sausgyslės.

- Kad to išvengtumėte, norėdami paleisti variklį, lėtai traukite starterio laidą, kol pajusite pasipriešinimą, o tada staigiu ir greitu judesiu paleiskite variklį.
- Prieš paleisdami variklį, atjunkite ar nuimkite visą pašalinę įrangą ir variklio apkrovą.
- Įsitinkite, kad tiesiogiai prijungti įrangos komponentai, tokie kaip peiliai, sparnuotės, skriemuliai, krumpliaračiai ir t. t., yra saugiai pritvirtinti.

6. **Elektrinis starteris, jeigu yra:** Pasukite elektrinės užvedimo sistemos jungiklį (D, 18 pav.) į padėtį PALEISTI.

PASTABA

Tam, kad starterio eksploatacijos laikas būtų ilgesnis, naudokite trumpus užvedimo ciklus (iki penkių sekundžių trukmės). Tarp paleidimo ciklų palaukite vieną minutę.

7. Kai variklis išils, perstumkite oro sklendės valdiklį (B, 18 pav.) į padėtį ATIDARYTI.

Jeigu po 2 arba 3 kartų variklis neužsiveda, kreipkitės į vietinį pardavimo atstovą, apsilankykite vanguardpower.com arba skambinkite 1-800-999-9333 (JAV).

Variklio išjungimas



ĮSPĖJIMAS

Degalai ir jų garai yra degūs ir sprogūs. Ugnis arba sproginimas gali jus nudeginti arba užmušti.

- Neuždarykite karbiuratoriaus oro sklendės (jei yra) norėdami išjungti variklį.

Traukos reguliatorius / „TransportGuard“[®]: nustatykite traukos reguliatorių / „TransportGuard“[®] (A, 19 pav.) į padėtį IŠJUNGTI arba STABDYTI.

PASTABA: Kai traukos reguliatorius / „TransportGuard“[®] (A, 19 pav.) yra nustatytas į padėtį IŠJUNGTI arba STABDYTI, degalų vožtuvas yra UŽDARYTAS. Transportuodami įrangą visada perkeltkite traukos reguliatorių / „TransportGuard“[®] į padėtį IŠJUNGTI arba STABDYTI.

PASTABA: Raktu (D, 19 pav.) variklis neišjungiamas. Raktu TIK paleidžiamas variklis. Visada ištraukite raktą (D) ir laikykite jį vaikams nepasiekiamoje saugioje vietoje.

Priežiūra Priežiūros informacija



ĮSPĖJIMAS

Degalai ir jų garai yra degūs ir sprogūs. Ugnis arba sproginimas gali jus nudeginti arba užmušti.

Jei atliekant techninės priežiūros darbus reikia paversti įrenginį, įsitinkite, kad degalų bakas (jei sumontuotas variklyje) būtų tuščias ir kad būtų pakelta ta pusė, kurioje yra uždegimo žvakė. Jei degalų bakas netuščias, gali ištėkėti degalų ir sukelti gaisrą arba sproginimą. Pavertus variklį kita linkme, jį nebus lengva paleisti, nes oro filtras ar uždegimo žvakė bus užteršti alyva ar degalais.



ĮSPĖJIMAS

Atsitiktinė variklio kibirkštis gali sukelti elektros smūgį, gaisrą ar sproginimą, todėl galite įsipainioti, o tai gali baigtis traumuojančia amputacija ar plėštinėmis žaizdomis.

Prieš reguliuodami ar remontuodami:

- Atjunkite visų uždegimo žvakių laidus ir laikykite juos kuo toliau nuo uždegimo žvakių.
- Atjunkite akumuliatoriaus laidą nuo neigiamo gnybto (taikytina tik varikliams su elektrine užvedimo sistema).
- Naudokite tik darbai tinkamus įrankius.

Tikrindami, ar kyla kibirkštis:

- Naudokite patvirtintą uždegimo žvakės bandiklį.
- Netikrinkite, ar kyla kibirkštis, kai uždegimo žvakė yra išimta.



ĮSPĖJIMAS

Keičiamos atsarginės dalys privalo būti to paties dizaino ir sumontuotos į tą pačią padėtį kaip ir originalios dalys. Naudojant kitokias dalis, galima sugadinti įrangą arba susižeisti.

PASTABA

Visos šiam variklyje panaudotos detalės turi būti savo vietose.

Naudokitės „Briggs & Stratton“ įgaliotojo techninės priežiūros atstovo teikiamomis variklio ir jo dalių serviso bei remonto paslaugomis.

Išmetamųjų dujų kontrolės techninė priežiūra

Dėl išmetimo kontrolės prietaisų ir sistemų priežiūros, keitimo arba remonto kreipkitės į ne automobilių variklių priežiūros centrą ar priežiūros techniką. Tačiau nemokamai pagal „Briggs & Stratton“ garantiją išmetimo valdymo sistemos techninės priežiūros darbus gali vykdyti tik gamintojo įgaliotasis atstovas. Žr. informaciją apie išmetimo sistemos kontrolę.

Techninės priežiūros tvarkaraštis

Po pirmųjų 5 darbo valandų
<ul style="list-style-type: none">Pakeiskite alyvą.
Kas 8 valandas arba kiekvieną dieną
<ul style="list-style-type: none">Patikrinkite variklio alyvos lygį.Nuvalykite purvą nuo duslintuvo ir valdiklių.Išvalykite oro įsiurbimo groteles.
Kas 100 valandų arba kas metus
<ul style="list-style-type: none">Atlikite išmetimo sistemos techninę priežiūrą.Pakeiskite alyvą pavaros įrenginyje (jei sumontuotas).
Kas 200 valandų arba kasmet
<ul style="list-style-type: none">Pakeiskite variklio alyvą.Išvalykite oro filtrą¹
Kas 600 valandų arba kas 3 metus
<ul style="list-style-type: none">Pakeiskite oro filtrą.
kasmet
<ul style="list-style-type: none">Pakeiskite uždegimo žvakę.Atlikite degalų sistemos techninę priežiūrą.Atlikite aušinimo sistemos techninę priežiūrą¹.Patikrinkite vožtuvo tarpelį².

¹Dirbant dulkėtoje aplinkoje arba ore esant daug dalelių, valyti reikia dažniau.

²Nereikia, nebent pastebite variklio triukščių.

Karbiuratorius ir variklio greitis

Nekeiskite karbiuratoriaus, regulatoriaus spyruoklės, jungčių arba kitų dalių, norėdami sureguliuoti variklio greitį. Jeigu reikia pareguliuoti, dėl techninės priežiūros kreipkitės į „Briggs & Stratton“ įgaliotąjį techninės priežiūros atstovą.

PASTABA

Įrangos gamintojas nustato variklio maksimalų greitį pagal įrangą, kurioje jis yra sumontuotas. Neviršykite šio greičio. Jeigu nesate tikri, koks įrangos maksimalus greitis arba koks variklio greitis yra nustatytas gamykloje, susisiekite su „Briggs & Stratton“ įgaliotuoju techninės priežiūros atstovu. Kad įranga veiktų saugiai ir tinkamai, variklio greitį turi reguliuoti tik kvalifikuotas techninės priežiūros specialistas.

Uždegimo žvakės techninė priežiūra

Patikrinkite tarpelį (pav. 20, A) naudodami vielinį matuoklį (B). Jeigu reikia, sureguliuokite uždegimo žvakės tarpelį. Įsukite ir priveržkite uždegimo žvakę nurodytu sukimo momentu. Tarpelis ir sukimo momentas nurodyti skyriuje **Specifikacijos**.

Išmetimo ir aušinimo sistemų techninė priežiūra



ĮSPĖJIMAS

Eksploatavimo metu variklis ir duslintuvas įkaista. Palietus karštą variklį, galima nusideginti.

Degios medžiagos, pavyzdžiui, lapai, žolė, krūmai ir kt., gali užsiliepsnoti.

- Prieš liedsdami variklį ar duslintuvą, išjunkite variklį ir palaukite dvi (2) minutes. Įsitikinkite, kad saugu liesti variklį ir duslintuvą.
- Pašalinkite nešvarumus nuo duslintuvo ir variklio.

Kalifornijos valstybinių išteklių kodekso 4442 skyrius draudžia naudoti šį variklį mišku, krūmynais ar žole dengtose vietose, jei variklio išmetimo sistemoje neįrengtas kibirkščių gaudyklis, atitinkantis 4442 skyriaus reikalavimus ir yra tinkamas naudoti. Kitose valstijose arba federalinėse jurisdikcijose gali galioti analogiški įstatymai; žr. Federalinį reglamentą 36 CFR, 261.52 punktą. Kreipkitės į originalios įrangos gamintoją, platintoją ar atstovą, kad įsigytumėte kibirkščių gaudyklį, pritaikytą jūsų išmetimo sistemai, įrengtai variklyje.

Šis variklis yra aušinamas oru. Purvas arba pašalinės medžiagos gali užkimšti oro aušinimo sistemą ir variklis gali perkaisti. Dėl to variklis veiks netinkamai ir sutrumpės jo naudojimo laikas. Cilindro aušinimo briaunos gali pašalinti šias nepageidaujamas medžiagas, kurių neįmanoma pašalinti iš dalies neišardžius variklio. Parodykite variklį įgaliotajam „Briggs & Stratton“ techninės priežiūros atstovui oro aušinimo sistemos patikrai ir išvalymui. Žr. **Techninės priežiūros grafiką**.

- Įsitikinkite, kad aplink duslintuvą ir už jo nėra degių medžiagų.
- Šepečiu arba sausu audeklu nuo ventiliatoriaus korpuso dangčio ir cilindro nuvalykite visas pašalines medžiagas. NEŠLAPINKITE variklio.
- Įsitikinkite, kad jungtys, spyruoklės ir valdikliai yra švarūs.
- Apžiūrėkite duslintuvą – ant jo neturi būti įskilimų, rūdžių arba kitų pažeidimų.
- Nuimkite duslintuvo kreiptuvą arba kibirkščių slopintuvą (jei sumontuotas) ir apžiūrėkite, ar nėra pažeistas ir užsikimšęs suodžiais. Prieš naudodami įrangą išvalykite ir sumontuokite keičiamąsias dalis.
- Pasirūpinkite, kad alyvos aušintuvo briaunos (jei yra) būtų švarios.

Variklio alyvos keitimas



ĮSPĖJIMAS

Degalai ir jų garai yra degūs ir sprogūs. Ugnis arba sproginimas gali jus nudeginti arba užmušti.

Eksploatavimo metu variklis ir duslintuvas įkaista. Palietus karštą variklį, galima nusideginti.

- Išleidžiant alyvą iš viršutinio įpylimo vamzdelio, degalų bakas privalo būti tuščias. Jei jis netuščias, gali ištėkėti degalų ir sukelti gaisrą arba sproginimą.
- Prieš liedsdami variklį ar duslintuvą, išjunkite variklį ir palaukite dvi (2) minutes. Įsitikinkite, kad saugu liesti variklį ir duslintuvą.

Panaudota, sena alyva yra pavojingos atliekos, kurias reikia tinkamai šalinti. Jos negalima šalinti kartu su buitinėmis atliekomis. Dėl saugaus išmetimo tausojant aplinką kreipkitės į vietos valdžios institucijas, techninės priežiūros centrą arba atstovą.

Modeliams „Just Check & Add™“ alyvos keisti nereikia. Jei reikia pakeisti alyvą, žr. toliau aprašytą tvarką.

Alyvos išpylimas

- Išjunkite variklį ir, kol jis neatvėso, atjunkite uždegimo žvakės laidus (D, 21 pav.) ir laikykite atokiau nuo uždegimo žvakės (-ių) (E).
- Išimkite alyvos lygio matuoklį (A, 22 pav.).
- Variklyje yra du alyvos išleidimo kamščiai (H, F, 23 pav.). Išsukite alyvos išleidimo kamščius (H, F). Išpilkite alyvą į tinkamą indą.
- Istatykite ir užveržkite alyvos išleidimo kamščius (H, F, 23 pav.).

Alyvos įpylimas

- Įsitikinkite, kad variklis yra horizontalioje padėtyje.
- Nuvalykite paviršius aplink alyvos pildymo angą.
- Duomenis apie alyvos talpą rasite skyriuje **Specifikacijos**.

- Ištraukite alyvos lygio matuoklį. Žr. skyrių **Išpilkite alyvą**.
- Lėtai pilkite alyvą į vieną iš variklio alyvos įpylimo angų (C arba G, 24 pav.). Nepripilkite per daug alyvos.
- Palaukite vieną minutę ir patikrinkite alyvos lygį.
- Įkiškite alyvos lygio matuoklį į jo vieta.
- Ištraukite matuoklį ir patikrinkite alyvos lygį. Tinkamas alyvos lygis yra lygio matuoklio pilno bako indikatorius viršuje. Žiūrėkite skyrių **Alyvos lygio tikrinimas**.
- Įkiškite ir vėl tvirtai užsukite lygio matuoklį.
- Prie uždegimo žvakės (-ių) prijunkite uždegimo žvakių laidą (-us). Žr. skyrių **Alyvos išpylimas**.

Krumpliaratinės pavaros alyvos keitimas

Kai kurie varikliai turi reduktorių su krumpliaratine pavara. Tokiu atveju žr. toliau aprašytus veiksmus, taikomus vienam iš reduktorių su krumpliaratine pavara.

2:1 Pavaros grandinės įrenginys

Jei variklyje sumontuotas 2:1 reduktorius su krumpliaratine pavara (G, 25 pav.), alyvos keisti nereikia. Variklyje esanti alyva sutepta ir pavaros grandinės įrenginį.

2:1 Šlapijo tipo sankabos pavaros įrenginys

Jei variklyje sumontuotas 2:1 šlapijo tipo sankabos pavaros įrenginys, atlikite šiuos veiksmus:

1. Išimkite alyvos lygio matuoklį (A, 26 pav.).
2. Išsukite išpylimo kamštį (B, 26 pav.) ir išpilkite alyvą į atitinkamą talpą.
3. Įsukite alyvos išpylimo kamštį (B, 26 pav.).
4. Lėtai įpilkite alyvos per alyvos įpylimo angą (C, 26 pav.). Žr. skyrių **Specifikacijos**.
5. Įstatykite alyvos lygio matuoklį (A, 26 pav.).
6. Ištraukite matuoklį (A, 26 pav.) ir patikrinkite alyvos lygį. Tinkamas alyvos lygis yra lygio matuoklio pilno bako indikatorius viršuje (D).
7. Įstatykite alyvos lygio matuoklį (A, 26 pav.).

6:1 Krumpliaratinės pavaros įrenginys

Jei variklyje sumontuotas 6:1 reduktorius su krumpliaratine pavara, atlikite šiuos veiksmus:

1. Išsukite alyvos pildymo kamštį (A, 27 pav.) ir alyvos lygio matuoklio kamštį (B).
2. Išsukite alyvos išpylimo kamštį (C, 27 pav.) ir išpilkite alyvą į atitinkamą talpą.
3. Įsukite ir priveržkite alyvos išleidimo kamštį (C, 27 pav.).
4. Lėtai pilkite krumpliaratinės pavaros alyvą (80W-90) į alyvos pildymo angą (D, 27 pav.). Toliau pilkite krumpliaratinės pavaros alyvą (80W-90), kol ši pradės tekėti per alyvos lygio matuoklio angą (E).
5. Įsukite ir priveržkite alyvos lygio matuoklio kamštį (B, 27 pav.).
6. Įsukite ir priveržkite alyvos pildymo kamštį (A, 27 pav.).

PASTABA: Alyvos pildymo kamštyje (A, 27 pav.) yra ventiliacijos anga (F), todėl jis turi būti įsukamas pavaru dėžės dangčio viršuje, kaip pavaizduota paveiksle.

Oro filtro techninė priežiūra

ĮSPĖJIMAS

Degalai ir jų garai yra degūs ir sprogūs. Ugnis arba sproginimas gali jus nudeginti arba užmušti.

- Nepaleiskite ir nenaudokite variklio be oro valymo bloko (jei yra) arba oro filtro (jei yra).

PASTABA

Nevalykite filtro suslėgtu oru arba tirpikliais. Suslėgtas oras gali sugadinti filtrą, o tirpikliai gali jį ištirpinti.

Informacijos apie priežiūros reikalavimus ieškokite **Techninės priežiūros grafike**.

Skirtinguose modeliuose naudojamas poroloninis arba popierinis filtras. Tam tikruose modeliuose gali būti pasirenkamas pirminis filtras, kurį galima išplauti ir panaudoti dar kartą. Palyginkite paveikslus šiame vadove su jūsų variklyje įdiegtu tipu ir atitinkamai atlikite techninę priežiūrą.

Popierinis oro filtras

1. Atlaisvinkite fiksatorių (-ius) (C, 28 pav.).
2. Nuimkite dangtį (A, 28 pav.) ir filtrą (B).
3. Norėdami pašalinti nešvarumus, atsargiai pastuksenkite filtrą (B, 28 pav.) į kietą paviršių. Jeigu filtras yra stipriai užterštas, pakeiskite jį nauju.
4. Įstatykite filtrą (B, 28 pav.).
5. Uždėkite dangtį (A, 28 pav.) ir priveržkite fiksatoriumi (-iais) (C). Patikrinkite, ar fiksatorius (-iai) tvirtai užveržtas (-i).

Popierinis oro filtras, žemo profilio

1. Norėdami atrakinti dangtį (C), pajudinkite fiksatorių (A, 29 pav.).
2. Paspauskite ašesles (B, 29 pav.) ir nuimkite dangtį (C).
3. Išimkite filtrą (D, 29 pav.).
4. Norėdami pašalinti nešvarumus, atsargiai pastuksenkite filtrą (D, 29 pav.) į kietą paviršių. Jeigu filtras yra stipriai užterštas, pakeiskite jį nauju.
5. Įstatykite filtrą (D, 29 pav.).
6. Uždėkite dangtį (C, 29 pav.). Perkelkite fiksatorių (A) į užrakinimo padėtį.

PASTABA: Patikrinkite, kaip tinka putų sandariklis (E, 29 pav.). Įsitikinkite, kad putų sandariklio perimetras tinkamai įsistato į kanalą (F).

Atlikite degalų sistemos techninę priežiūrą

ĮSPĖJIMAS

Degalai ir jų garai yra degūs ir sprogūs. Ugnis arba sproginimas gali jus nudeginti arba užmušti.

- Saugokite degalus nuo kibirkščių, atviros ugnies, nuolat įjungtų dujų degiklių, šilumos ir kitų uždegimo šaltinių.
- Dažnai tikrinkite, ar degalų žarnos, degalų bakas, degalų dangtelis ir jungtys neįtrūkę ir neprateka. Pakeiskite apgadintas detales.
- Jeigu išsilietų degalai, prieš paleisdami variklį palaukite, kol jie išgaruos.

Degalų filtras, jeigu sumontuotas

1. Atsukite degalų bako dangtelį (30 pav., A).
2. Išimkite degalų filtrą (30 pav., B).
3. Jeigu degalų filtras yra nešvarus, jį išvalykite arba pakeiskite. Jei norite jį pakeisti, būtinai naudokite tik originalų pakaitinį filtrą.

Laikymas

Degalų sistema

Žr. 31 pav.:

ĮSPĖJIMAS

Degalai ir jų garai yra degūs ir sprogūs. Ugnis arba sproginimas gali jus nudeginti arba užmušti.

Degalų laikymas

- Atviri dujų degikliai ar kiti uždegimo šaltiniai gali sukelti sproginimus, todėl degalus ar įrangą laikykite atokiau nuo krosnių, viryklių, vandens šildytuvų ar kitų buitinių prietaisų su atvira dujų degikliais.

Laikykite variklį horizontaliai (įprastoje darbinėje padėtyje). Į degalų baką (A, 31 pav.) pripilkite degalų. Nepilkite degalų daugiau nei iki bako kaklelio (B).

Ilgiau nei 30 dienų bako laikomi degalai gali pasenti. Rekomenduojame į degalų baką įpilti kuro stabilizatoriaus (be alkoholio) ir etanolio, kad degalai išliktų švieži ir jų savybės nepakistų.

Pildami į baką degalus, įpilkite ir degalų stabilizatoriaus (be alkoholio), kaip nurodyta gamintojo instrukcijoje. Jeigu į benzinaž variklyje nebuvo įpilta degalų stabilizatoriaus, išpilkite benzinaž į tinkamą indą. Laikykite variklį įjungtą, kol pasibaigs degalai.

Variklio alyva

Keiskite variklio alyvą, kol variklis yra šiltas. Žr. skyrių **Variklio alyvos keitimas**.

Trikčių šalinimas

Pagalba

Dėl pagalbos kreipkitės į vietinį pardavimo atstovą, apsilankykite **BRIGGSandSTRATTON.COM** arba skambinkite **1-800-444-7774** (JAV).

Specifikacija ir atsarginės dalys

Specifikacijos	Modelis: 10V000	Modelis: 12V000
Variklio tūris	10.313 col. ³ (169 cm ³)	12.387 col. ³ (203 cm ³)
Cilindro skersmuo	2.44 col. (62 mm)	2.677 col. (68 mm)
Stūmoklio eiga	2.204 col. (56 mm)	2.204 col. (56 mm)
Alyvos talpa	18 - 20 unc. (.54 - .59 l)	18 - 20 unc. (.54 - .59 l)
2:1 šlapijo tipo sankabos pavara – alyvos tipas	10W-30	10W-30
2:1 šlapijo tipo sankabos pavara – alyvos talpa	10 unc. (.30 l)	10 unc. (.30 l)
6:1 krumpliaratinė pavara – alyvos tipas	80W-90	80W-90
6:1 krumpliaratinė pavara – alyvos talpa	4 unc. (12 l)	4 unc. (12 l)
Uždegimo žvakės tarpelis	.030 col. (.76 mm)	.030 col. (.76 mm)
Uždegimo žvakės sukimo momentas	180 lb-in (20 Nm)	180 lb-in (20 Nm)
Oro tarpelis tarp indukcinės ritės / smagračio	.010 - .013 col. (.25 - .35 mm)	.010 - .013 col. (.25 - .35 mm)

Specifikacijos	Modelis: 10V000	Modelis: 12V000
Išsiurbimo vožtuvo tarpelis	.004 - .006 col. (.10 - .15 mm)	.004 - .006 col. (.10 - .15 mm)
Išmetimo vožtuvo tarpelis	.005 - .007 col. (.15 - .20 mm)	.005 - .007 col. (.15 - .20 mm)

Specifikacijos	Modelis: 25V000
Variklio tūris	24.898 col. ³ (408 cm ³)
Cilindro skersmuo	3.465 col. (88 mm)
Stūmoklio eiga	2.638 col. (67 mm)
Kabelio tvirtinimo laikiklio varžtas	30 sv.-col. (3,4 Nm)
Laidų fiksatoriaus varžtas	25 sv.-col. (2,8 Nm)
Alyvos talpa	18 - 20 unc. (.54 - .59 l)
Uždegimo žvakės tarpelis	.030 col. (.76 mm)
Uždegimo žvakės sukimo momentas	180 sv.-col. (20 Nm)
Oro tarpelis tarp indukcinės ritės / smagračio	.010 - .013 col. (.25 - .35 mm)
Išsiurbimo vožtuvo tarpelis	.004 - .006 col. (.10 - .15 mm)
Išmetimo vožtuvo tarpelis	.005 - .007 col. (.15 - .20 mm)

Variklio galia mažėja po 3,5 % kas 1 000 pėdų (300 metrų) virš jūros lygio ir 1 % kas 10 °F (5,6 °C), viršijus 77 °F (25 °C). Variklis tinkamai veiks iki 30° posvyrio. Naudojimo instrukcijoje rasite nurodymus, kaip saugiai dirbti nuokalnėse.

Techninės priežiūros dalys

Norėdami įsigyti „Briggs & Stratton“ techninės priežiūros dalių, suraskite įgaliojantį techninės priežiūros atstovą adresu BRIGGSandSTRATTON.COM. Jums reikės nurodyti savo identifikacijos numerį (modelis, tipas, partijos numeris). Norėdami surasti savo variklio identifikacijos numerį, žr. skyrių **Funkcijos ir valdikliai**.

Galios kategorijos

Pavienių benzininių variklių modelių bendrosios galios dydžiai pažymėti pagal SAE (Automobilių inžinierių bendrija) standartą Nr. J1940 „Mažų variklių galios ir sukimo momento įvertinimo procedūra“ ir įvertinami pagal SAE standartą Nr. J1995. Sukimo momento vertės nustatytos esant 2 600 APM tiems varikliams, kurių ženklavimo etiketėje nurodyta išnaša „apm“, o visiems kitiems varikliams – esant 3 060 APM; arklio galios vertės nustatytos esant 3 600 APM. Bendrosios galios kreivės galima peržiūrėti adresu www.BRIGGSandSTRATTON.COM. Realūs galios dydžiai nustatyti sumontavus išmetimo ir oro valymo filtrus, o bendrieji galios dydžiai nustatyti be šių priedų. Faktinis bendrasis variklio galingumas yra didesnis nei realusis variklio galingumas, ir, be kitų dalykų, jį veikia darbo aplinkos sąlygos, be to, galingumas priklauso ir nuo pavienių variklių įvairovės. Atsižvelgiant į įvairius gaminius, kuriuose montuojami varikliai, benzininis variklis, sumontuotas elektriniame įrenginyje, neišvystys numatytosios bendrosios galios. Šis skirtumas atsiranda dėl įvairių veiksmų, įskaitant, bet neapsiribojant įvairiomis variklio sudedamosiomis dalimis (oro valymo, išmetimo, krovimo, aušinimo, karbiuratoriaus, degalų filtro ir pan.), naudojimo apribojimais, darbinės aplinkos sąlygomis (temperatūra, drėgnumas, aukščiu virš jūros lygio) ir įvairių variklių variantiškumu. Dėl gamybos ir pajėgumų apribojimų Briggs & Stratton gali pakeisti variklį galingesniu šios klasės varikliu.

Garantija

„Briggs & Stratton“[®] variklio garantija

Įsigalioja 2022 m. gruodžio mėn.

Ribotoji garantija

Bendrovė „Briggs & Stratton“ garantuoja, kad toliau nurodytu garantiniu laikotarpiu vien tik savo nuožūra nemokamai sutaisys bet kokią šio gaminio dalį su medžiagų ir (arba) gamybos defektas arba ją pakeis nauja, atnaujinta arba suremontuota dalimi. Transporto išlaidas už detalių, skirtų remontui ar pakeitimui, pristatymą, vadovaujantis šia garantija, apmoka pirkėjas. Ši garantija galioja toliau nurodytą laikotarpį, esant toliau nurodytoms sąlygoms. Norėdami pasinaudoti garantinės priežiūros paslaugomis, raskite artimiausią įgaliojantį techninės priežiūros atstovą mūsų atstovybių žemėlapyje adresu BRIGGSandSTRATTON.COM. Pirkėjas privalo kreiptis į įgaliojantį techninės priežiūros atstovą, o tada pristatyti gaminį įgaliojantį techninės priežiūros atstovui apžiūrėti ir patikrinti.

Jokių kitų garantijų nesuteikiama. Numanomos garantijos, įskaitant tinkamumo konkrečiam tikslui garantijas, galioja vienus metus nuo pirkimo datos arba tiek, kiek leidžiama pagal įstatymus. Visos kitos numanomos garantijos nesuteikiamos. Atsakomybės už atsitiktinę ar pasekinę žalą atsisakoma tiek, kiek tai leidžiama pagal įstatymus. Tam tikrose valstybėse apribojimai dėl numanomos garantijos draudžiami arba draudžiamos išimties arba apribojimai dėl atsitiktinės arba pasekinės žalos, taigi pirmiau minėtas apribojimas arba išimtis jums gali negaloti. Ši garantija suteikia

jums konkrečių juridinių teisių, tačiau jūs galite turėti ir kitokių teisių, kurios įvairiose valstybėse ir šalyse gali skirtis.

Standartinės garantijos sąlygos^{1, 2}

„Vanguard“[®]; komercinės paskirties serija

Asmeninis naudojimas – 36 mėnesiai

Komercinis naudojimas – 36 mėnesiai

XR serija

Asmeninis naudojimas – 24 mėnesiai

Komercinis naudojimas – 24 mėnesiai

Visi kiti varikliai su „Dura-Bore“[™] ketaus įvorėmis

Asmeninis naudojimas – 24 mėnesiai

Komercinis naudojimas – 12 mėnesių

Visi kiti varikliai

Asmeninis naudojimas – 24 mėnesiai

Komercinis naudojimas – 3 mėnesiai

¹ Šie garantijos terminai yra standartiniai, kartkartėmis jie gali būti papildyti arba pakeisti nurodant papildomas sąlygas, kurios nebuvo pateiktos leidimo metu. Norėdami sužinoti naujausią informaciją apie jūsų variklio garantijos sąlygas, apsilankykite tinklalapyje BRIGGSandSTRATTON.com arba susisiekite su artimiausiu „Briggs & Stratton“ įgaliojantį techninės priežiūros atstovu.

² Garantija nesuteikiama varikliams, sumontuotiems įrangoje, kuri naudojama energijai tiekti darbo vietose; komerciniais tikslais naudojamuose pagalbinuose generatoriuose, universaliose transporto priemonėse, viršijančiose 25 MPH, arba varikliams, naudojamiems sportinėms varžyboms ir lenktynėms, arba komerciniuose bei nuomojamuose automobiliuose.

* Australijoje mūsų prekės parduodamos su garantijomis, kurių negalima netaikyti pagal Australijos vartotojų teisių įstatymą. Jūs turite teisę į gaminio pakeitimą arba pinigų grąžinimą rimto gedimo atveju arba atlyginimą už bet kokią pagristai iš anksto numatomą žalą arba nuostolius. Jūs taip pat turite teisę reikalauti, kad prekės būtų suremontuotos arba pakeistos tuo atveju, jeigu prekės yra nepriimtinos kokybės, o gedimas negali būti priskiriamas dideliu gedimui. Norėdami pasinaudoti garantinės priežiūros paslaugomis, raskite artimiausią įgaliojantį techninės priežiūros atstovą mūsų atstovybių žemėlapyje adresu BRIGGSandSTRATTON.COM arba skambinkite tel. 1300 274 447, arba rašykite el. pašto adresu salesenquiries@briggsandstratton.com.au, arba rašykite įprasto pašto adresu Briggs & Stratton Australia Pty Ltd, 1 Moorebank Avenue, Moorebank, NSW, Australia (Australija), 2170.

Garantinis laikotarpis skaičiuojamas nuo pirkimo datos, kai gaminį nusiperka pirmas mažmenininkas arba galutinis komercinis vartotojas, ir galioja pirmiau lentelėje nurodytą laikotarpį. „Asmeninis naudojimas“ reiškia naudojimą asmeniame gyvenamajame ūkyje, kai gaminį naudoja mažmeninis vartotojas. „Komercinis naudojimas“ reiškia naudojimą visais kitais tikslais, įskaitant komercinius, pajamų gavimo ar nuomos tikslus. Jeigu variklis buvo nors vieną kartą panaudotas komerciniais tikslais, jis bus priskirtas komercijos tikslais naudojamų variklių kategorijai ir jam bus taikoma atitinkama garantija.

Norint pasinaudoti „Briggs & Stratton“ ženklo gaminiams taikoma garantija, nereikia jokios garantijos registracijos. Išsaugokite pirkimą patvirtinantį čekį. Jeigu garantinio laikotarpio metu, kai jums prireiks garantinių paslaugų, nepateiksite čekio, įrodančio pirmo pirkimo datą, garantinis laikotarpis bus skaičiuojamas nuo gaminio pagaminimo datos.

Dėl Jūsų garantijos

Šie garantiniai įsipareigojimai galioja tik su varikliu susijusioms nekokybiškoms medžiagoms ir (arba) darbams, o ne įrangos, kurioje variklis sumontuotas, keitimui ar jos kainos grąžinimui. Ši garantija netaikoma planinei techninei priežiūrai, suderinimui, reguliavimui arba įprastam susidėvimui. Taip pat garantija netaikoma, jeigu variklis buvo pakeistas ar perdarytas, arba jeigu variklio serijos numeris buvo pažeistas arba pašalintas. Ši garantija netaikoma variklio gedimams arba veikimo problemoms, atsiradusioms dėl:

1. neoriginalių Briggs & Stratton
2. dėl variklio veikimo esant nepakankamam arba užterštam tepimui arba dėl netinkamo alyvos lygio;
3. pasenusių degalų ar tokių, kurių sudėtyje yra daugiau negu 10 proc. etanolio, arba kitos rūšies degalų, pvz., suskystintų naftos produktų ar gamtinių dujų, kurie nėra tinkami varikliams, sukurtiems arba pagamintiems Briggs & Stratton, naudojimo;
4. patekusio į variklį purvo dėl netinkamos oro filtro techninės priežiūros arba sumontavimo;
5. vejamųjų ašmens susidūrimo su objektu, atlaisvusių arba neteisingai sumontuotų ašmens adapterių, skriemulių arba alkūninio sujungimo dalių, arba pernelyg įtempto diržo;
6. susijusių dalių ar blokų, tokių kaip sankabos, transmisija, valdymo svirtys ir pan., kurių netiekia Briggs & Stratton;

7. perkaitinimo, kuris įvyko žolei, purvui patekus ant variklio ir užteršus aušinimo briaunas ir oro angas; ar dėl pažeidimo, kuris buvo padarytas varikliui veikiant be pakankamo aušinimo;
8. papildomos didelės vibracijos, kuri atsirado dėl atsilaisvintų variklio tvirtinimų, pjovimo peilių, nebalansuotų skriemulių, netinkamai sujungtų dalių su variklio korpusu arba per didelio greičio;
9. dėl netinkamo įrangos naudojimo, nesant reikiamos priežiūros, transportavimo, saugojimo arba netinkamo variklio sumontavimo.

Garantinį servisą atlieka tik įgaliotieji Briggs & Stratton techninės priežiūros atstovai. Raskite artimiausią įgaliotąjį techninės priežiūros atstovą mūsų atstovybių paieškos žemėlapyje adresu BRIGGSandSTRATTON.COM arba paskambinę telefonu 1-800-444-7774 (JAV).

80114782 (A versija)

Not for
Reproduction

Vispārīga informācija



Šajā rokasgrāmatā tiek sniegta drošības informācija par bīstamību un riskiem, kuri pastāv saistībā ar šo dzinēju, un, kā tos novērst. Tā arī satur instrukcijas dzinēja pareizai lietošanai un apkopei. Ir ļoti svarīgi, lai jūs izlasītu, saprastu un izpildītu šos norādījumus. **Saglabājiet šo rokasgrāmatu turpmākai atsaucei.**

PIEZĪME: Visi attēli un apzīmējumi šajā rokasgrāmatā ir tikai informācijai, un var atšķirties no jūsu modeļa. Izmantojiet attēlus, kas atbilst jūsu dzinēja konfigurācijai. Ja nepieciešams, runājiet ar autorizētu servisa pārstāvi.

Pierakstiet iegādes datumu, dzinēja modeli, tipu, apdari un dzinēja sērijas numuru, lai varētu iegādāties rezerves daļas. Šie numuri ir uz jūsu dzinēja. Skatīt sadaļu **Funkcijas un vadības ierīces**.

Pirkuma datums	
Dzinēja modelis - Tips - Koda numurs	
Motora sērijas numurs	

Eiropas biroja kontaktinformācija

Par jautājumiem, kas saistīti ar emisijām Eiropā, sazināties ar mūsu Eiropas biroju, kura adrese ir:

Max-Born-Straße 2, 68519 Viernheim, Vācija.

Eiropas Savienība (ES) V (5.) posms: Oglekļa dioksīda (CO2) vērtības

Meklēšanas lodziņā vietnē BriggsandStratton.com ievadiet CO2, lai atrastu Briggs & Stratton ES tipa apstiprinājuma sertifikāta motoru oglekļa dioksīda vērtības.

Operatora drošība

Drošības brīdinājuma zīmes un signālvārdi



Drošības brīdinājuma simbols tiek lietots, lai norādītu uz drošības informāciju par riskiem, kas varētu izraisīt traumas. Signālvārdi (**BĪSTAMI**, **BRĪDINĀJUMS** vai **PIESARDZĪGI**) tiek izmantoti, lai pievērstu uzmanību, ka pastāv attiecīgas bīstamības traumas risks. Papildus tiek izmantota arī apdraudējuma zīme attiecīgas apdraudējuma pakāpes apzīmēšanai.

BĪSTAMI norāda uz apdraudējumu, kurš, ja no tā neizvairīsies, **izraisīs** nāvi vai nopietnu ievainojumu.

BRĪDINĀJUMS norāda uz apdraudējumu, kurš, ja no tā neizvairīsies, **var izraisīt** nāvi vai nopietnu ievainojumu.

PIESARDZĪBU norāda uz risku, kas **gadījumā, ja netiek novērsts, var būt vieglu vai vidēji smagu ievainojumu cēlonis**.

IEVĒRĪBAI norāda informāciju, kas tiek uzskatīta par svarīgu, taču nav saistīta ar risku.

Bīstamības simboli un to nozīme

	Drošības informācija par bīstamām situācijām, kuru rezultātā var būt miesas bojājumus.		Pirms sākat strādāt ar šo iekārtu vai tās apkopi, uzmanīgi izlasiet un izprotiet šo operatora rokasgrāmatu.
	Ugunsbīstamība		Sprādziena bīstamība
	Trieciena apdraudējums		Toksisku dūmu bīstamība
	Karstas virsmas bīstamība		Atsietena apdraudējums

	Amputācijas apdraudējums – kustīgas daļas		Degvielas līmenis – maksimums Nepārpildīt tvertni
--	---	--	--

Drošības paziņojumi



BRĪDINĀJUMS

Briggs & Stratton® motori nav paredzēti turpmāk norādītajai lietošanai un tos nedrīkst lietot, lai darbinātu izprieču kartingus, gokartus, bērnu, atpūtas vai sporta bezceļu transportlīdzekļus (ATV), motociklus, transportlīdzekļus ar gaisa spilvenu, lidojošas iekārtas vai transportlīdzekļus, kurus izmanto sacensībās, ko nav sankcionējis Briggs & Stratton. Papildu informācijai par auto sacensību produktiem, skatīt www.briggsracing.com. Lietošanai ar apvidus automašīnām un paralēlo rindu apvidus automašīnām, lūdzu sazinieties ar Briggs & Stratton Power Application Center, 1-866-927-3349. Nepareiza motora lietošana var izraisīt smagas traumas vai nāvi.

Otrreizējās pārstrādes informācija

		Pārstrādāt visus kartona iepakojumus, kastes, atstrādāto eļļu un akumulatorus, kā norādīts saistošajos noteikumos.
--	--	--

Funkcijas un vadības ierīces

Dzinēja vadības elementi

Saīfdzininiet marķējuma burtus attēlos 1, 2 un 3 ar dzinēja vadības ierīcēm turpmākajā sarakstā:

- Dzinēja identifikācijas numuri **Modelis - Veids - Kods**
- Aizdedzes svece
- Degvielas tvertne un vāciņš
- Gaisa filtrs
- Startera auklas rokturis
- Eļļas mērstienis
- Eļļas iepildes atvere
- Eļļas iztecināšanas aizbāznis
- Slāpētājs, slāpētāja aizsargs (ja uzstādīts), dzirkstelju slāpētājs (ja uzstādīts)
- Droseles vadības ierīce / Degvielas noslēgšana / TransportGuard™
- Droseļvārsta vadība
- Gaisa ieplūdes režģis
- Elektriskās iedarbināšanas slēdzis (ja uzstādīts)
- Reduktors (ja uzstādīts)

Daži dzinēji un iekārtas ir aprīkoti ar tālvadības vadīklām. Par tālvadības izvietošanu un darbināšanu skatīt iekārtu rokasgrāmatu.

Dzinēja vadības simboli un to nozīme

	Motora ātrums – ĀTRI		Motora ātrums – LĒNI
	Motora ātrums – APTURĒT		IESLĒGTS/IZSLĒGTS
	Dzinēja palaišana Drosele CIET		Dzinēja palaišana Drosele ATVĒRTA
	Degvielas iepildes vāciņš Degvielas slēgvārsts ATVĒRTS		Degvielas slēgvārsts CIET

Montāža

Gaisa vārsta vadības pārveidošana

Standarta dzinējam ir manuāla gaisa vārsta vadība. Lai droses vadības ierīci darbinātu manuāli, uzstādi droses tālvadības ierīci vai pārveidojiet uz fiksētu ātrumu. Skatīt tālāk esošos norādījumus.

PIEZĪME: Dzinēja ātrumam jābūt pareizam, kā norādīts iekārtas ražotāja veiktspējas specifikācijās. Sazinieties ar „Briggs & Stratton” pilnvarotu apkopes pakalpojumu sniedzēju, lai saņemtu atbalstu.

Manuālā droses vadītāja

1. Pārveidojiet droses vadības ierīci / TransportGuard® sviru (A, attēls 4) pozīcijā IZSLĒGTS.
2. Noņemiet atsperi (S, attēls 4).

Tālvadība ar vīto trosi

Droses tālvadības ierīci ar vīto trosi var uzstādīt vienā no diviem virzieniem: **cilindra galvas virzienā** vai **priekšējā virzienā**.

cilindra galvas virzienā

1. Pārveidojiet droses vārsta vadības / TransportGuard™ sviru (A, attēls 5) pozīcijā IZSLĒGTS.
2. Izmantojiet 10 mm uzgriežņu atslēgu, lai par pusapgrieztienu atbrīvotu uzgriezni (P, attēls 5) uz droses vadības ierīces / TransportGuard® sviras (A).
3. Pieturiet troses montāžas uzgriezni (J, attēls 6) ar 10 mm uzgriežņu atslēgu un atbrīvojiet skrūvi (K).
4. Ievietojiet troses stiepli (L, attēls 6) caurumā troses montāžas uzgrieznī (J) un pievelciet skrūvi (K). Pārliedzieties, ka troses stieple (L) nesniedzas vairāk par ½ collu (12,7 mm) aiz cauruma.
5. Atskrūvējiet vaļīgāk skrūvi (I, attēls 6). Pievienojiet troses apvalku (N) zem troses skavas (M) un pievelciet skrūvi (I).
6. Pārbaudiet droses tālvadības ierīces darbību. 2-3 reizes pārveidojiet droses tālvadības ierīci no lēnas pozīcijas uz ātru. Pārliedzieties, ka droses tālvadības ierīce un trose (L, attēls 6) brīvi kustās. Pielāgojiet uzgriezni (P, attēls 7), kā nepieciešams norādītajai pozīcijai.

Virzienā uz priekšu

1. Pārveidojiet droses vārsta vadības / TransportGuard™ sviru
 - a. **10V000 un 12V000 motoru modeļiem:** Pārveidojiet droses vadības ierīces / TransportGuard™ sviru (A, attēls 8) uz pozīciju ĀTRI.
 - b. **25V000 motoru modeļiem:** Pārveidojiet droses vārsta vadības ierīces / TransportGuard™ sviru (A, 8. attēls) stāvoklī IZSLĒGTS.
2. Izmantojiet 10 mm uzgriežņu atslēgu, lai par pusapgrieztienu atbrīvotu uzgriezni (P, attēls 7) uz droses vadības ierīces / TransportGuard® sviras (A).
3. Pieturiet troses montāžas uzgriezni (J, attēls 8) ar 10 mm uzgriežņu atslēgu un atbrīvojiet skrūvi.
4. Ievietojiet troses stiepli (L, attēls 8) caurumā troses montāžas uzgrieznī (J) un pievelciet skrūvi (K). Pārliedzieties, ka troses stieple (L) nesniedzas vairāk par ½ collu (12,7 mm) aiz cauruma.
5. Atskrūvējiet vaļīgāk skrūvi (I, attēls 8). Nostipriniet troses apvalku (N) zem troses skavas (M) un pievelciet skrūvi (I).
6. Pārbaudiet droses tālvadības ierīces darbību. 2-3 reizes pārveidojiet droses tālvadības ierīci no lēnas pozīcijas uz ātru. Pārliedzieties, ka droses tālvadības ierīce un trose (L, 8) brīvi kustās. Pielāgojiet uzgriezni (P, attēls 7), kā nepieciešams norādītajai pozīcijai.

Gaisa vārsta tālvadība ar stiepli

Droses tālvadības ierīci ar stiepli var uzstādīt vienā no četriem virzieniem: **cilindra galvas virzienā**, **priekšējā virzienā**, **kreisā virzienā** vai **labā virzienā**.

cilindra galvas virzienā

1. Pārveidojiet droses vadības ierīci / TransportGuard® sviru (A, attēls 9) pozīcijā IZSLĒGTS.
2. Noņemiet atsperi (S, attēls 9).
3. Pārveidojiet droses vadības ierīci / TransportGuard® sviru (A, attēls 9) stāvoklī ĀTRI.
4. Izmantojiet 10 mm uzgriežņu atslēgu, lai par pusapgrieztienu atbrīvotu uzgriezni (P, attēls 4) uz droses vadības ierīces / TransportGuard® sviras (A).
5. Uzstādi vienstieples troses Z veida armatūru (Q, attēls 9) vienā no leņķveida sviras (R) mazajiem caurumiem.
6. Atskrūvējiet vaļīgāk skrūvi (I, attēls 9). Pievienojiet troses apvalku (N) zem troses skavas (M) un pievelciet skrūvi (I).

7. Pārbaudiet droses tālvadības ierīces darbību. 2-3 reizes pārveidojiet droses tālvadības ierīci no lēnas pozīcijas uz ātru. Pārliedzieties, ka droses tālvadības ierīce un trose (L, attēls 9) brīvi kustās. Pielāgojiet uzgriezni (P, attēls 4), kā nepieciešams norādītajai pozīcijai.

Virzienā uz priekšu

1. Pārveidojiet droses vadības ierīces / TransportGuard® sviru (A, attēls 10) pozīcijā IZSLĒGTS.
2. Noņemiet atsperi (S, attēls 10).
3. Pārveidojiet droses vadības ierīces / TransportGuard® sviru (A, attēls 10) uz pozīciju ĀTRI.
4. Izmantojiet 10 mm uzgriežņu atslēgu, lai par pusapgrieztienu atbrīvotu uzgriezni (P, attēls 4) uz droses vadības ierīces / TransportGuard® sviras (A).
5. Uzstādi vienstieples troses Z veida armatūru (Q, attēls 10) vienā no leņķveida sviras (R) diviem mazajiem caurumiem.
6. Atskrūvējiet vaļīgāk skrūvi (I, attēls 10). Nostipriniet troses apvalku (N) zem troses skavas (M) un pievelciet skrūvi (I).
7. Pārbaudiet droses tālvadības ierīces darbību. 2-3 reizes pārveidojiet droses tālvadības ierīci no lēnas pozīcijas uz ātru. Pārliedzieties, ka droses tālvadības ierīce un trose (L, attēls 10) brīvi kustās. Pielāgojiet uzgriezni (P, attēls 4), kā nepieciešams norādītajai pozīcijai.

Virzienā no kreisās puses

1. Pārveidojiet droses vadības ierīces / TransportGuard® sviru (A, attēls 11) pozīcijā IZSLĒGTS.
2. Noņemiet atsperi (S, attēls 4).
3. Pārveidojiet droses vadības ierīces / TransportGuard® sviru (A, attēls 11) uz pozīciju ĀTRI.
4. Izmantojiet 10 mm uzgriežņu atslēgu un skrūvējiet vaļīgāk uzgriezni (P, attēls 4) veiciet droses vārsta vadības / TransportGuard® sviras (A, attēls 11) pusapgrieztienu.
5. Noņemiet droses vadības ierīces pogu (W, attēls 11), lai atsegta mazo caurumu (S).
6. Uzstādi vienstieples troses pievada Z veida armatūru (L, attēls 11) droses vadības ierīces sviras (A) mazajā caurumā (S).
7. Atskrūvējiet vaļīgāk skrūvi (I, attēls 11). Nostipriniet troses apvalku (N) zem troses skavas (M) un pievelciet skrūvi (I).
8. Pārbaudiet droses tālvadības ierīces darbību. 2-3 reizes pārveidojiet droses tālvadības ierīci no lēnas pozīcijas uz ātru. Pārliedzieties, ka droses tālvadības ierīce un trose (L, attēls 11) brīvi kustās. Pielāgojiet uzgriezni (P, attēls 4), kā nepieciešams norādītajai pozīcijai.

Virzienā no labās puses

Lai uzstādītu droses tālvadības ierīci no labās puses, vajadzīga troses montāžas skava (U, attēls 12). Daļas numuru skatīt sadaļā **Specifikācijas un apkopes daļas**. Lai iegādātos troses montāžas skavu, sazinieties ar Briggs & Stratton pilnvaroto servisa pārstāvi.

1. Pārveidojiet droses vadības ierīces / TransportGuard® sviru (A, attēls 12) pozīcijā IZSLĒGTS.
2. Noņemiet atsperi (S, attēls 4).
3. Noņemiet droses vadības ierīces pogu (W, attēls 12), lai atsegta mazo caurumu (S).
4. Pārveidojiet droses vadības ierīces / TransportGuard® sviru (A, attēls 12) uz pozīciju ĀTRI.
5. Izmantojiet 10 mm uzgriežņu atslēgu, lai par pusapgrieztienu atbrīvotu uzgriezni (P, attēls 4) uz droses vadības ierīces / TransportGuard® sviras (A, 12).
6. Uzstādi vienstieples troses pievada Z veida armatūru (L, attēls 12) droses vadības ierīces sviras (A) mazajā caurumā (S).
7. Iznemiet skrūvi (T, attēls 12). Uzstādi troses montāžas skavu (U), kā parādīts. Pievienojiet troses montāžas skavu (U) ar bultskrūvi (T). Pievelciet bultskrūvi (T) līdz 30 mārciņām-colla (3,3 Nm). Skatīt sadaļu **Specifikācijas un apkopes daļas**.
8. Atskrūvējiet vaļīgāk skrūvi (I, attēls 12). Nostipriniet troses apvalku (N) zem troses skavas (M) un pievelciet skrūvi (I).
9. Pārbaudiet droses tālvadības ierīces darbību. 2-3 reizes pārveidojiet droses tālvadības ierīci no lēnas pozīcijas uz ātru. Pārliedzieties, ka droses tālvadības ierīce un trose (L, attēls 12) brīvi kustās. Pielāgojiet uzgriezni (P, attēls 4), kā nepieciešams norādītajai pozīcijai.

Fiksēts dzinēja ātrums (Gaisa vārsta vadības troses nav)

Ja pārveidojot par **fiksēta ātruma dzinēju**, netiek uzstādīta vadības ierīces trose un nav ātruma atlasīšanas izvēles. Vienīgais dzinēja ātruma režīms ir ĀTRI.

1. Pārveidojiet droses vadības ierīces / TransportGuard® sviru (A, attēls 13) pozīcijā IZSLĒGTS.
2. Noņemiet atsperi (S, attēls 13).

- Pārvietojiet droseles vadības ierīces / TransportGuard® sviru (A, attēls 13) stāvoklī ĀTRI.
- Pārliecinieties, ka stieples aiztura skrūve (V, attēls 13) ir salāgota ar caurumu skavā. Pievelciet skrūvi (V) līdz 25 mārciņas-colla (2,8 Nm).
- Noņemiet vadības ierīces savienojumu (H, attēls 13).

PIEZĪME: Šoreiz droseles vadības ierīces / TransportGuard® svirai būs tikai divi stāvokļi: APTURĒT / IZSLĒGTS un DARBINĀT stāvokļi.

- Uzliemiet jaunu ON / OFF (ieslēgts / izslēgts) TransportGuard® uzlīmi (O, attēls 14) uz apdares paneļa virs esošās ātruma kontroles uzlīmes (F).

Ekspluatācija

BRĪDINĀJUMS



Degvielas tvaiki ir uzliesmojoši un sprādzienbīstami. Aizdegšanās vai sprādziens varētu izraisīt apdegumus vai nāvi.

Ja saozāt gāzi

- Neiedarbināt motoru.
- Neieslēgt elektriskos slēdžus.
- Nelietot tālrūni darba vietas tuvumā.
- Atstājiet šo vietu.
- Sazinieties ar ugunsdzēsējiem.

Kad strādājat ar iekārtu

- Nesagāzt motoru vai iekārtu tādā leņķī, kas izraisa degvielas izlišanu.

Kad pārvietojat iekārtu

- Pārliecināties, ka degvielas tvertne ir TUKŠA vai degvielas slēgvārsts, ja uzstādīts, ir pozīcijā AIZVĒRTS.

Pārbaudiet eļļas līmeni

Pirms pārbaudāt vai pieļējat eļļu

- Pārliecināties, ka motors atrodas horizontāli.
- Atīriet eļļas zonu no gružiem.
- Skatiet eļļas ietilpības daudzumu sadaļā **Specifikācijas**.

IEVĒRĪBAI

Šis dzinējs tiek piegādāts no Briggs & Stratton bez eļļas. Iekārtas ražotāji vai izplatītāji var būt pieliejuši motoram eļļu. Pirms pirmo reizi iedarbināt motoru pārliecināties, ka eļļa ir pareizā līmenī. Pievienot eļļu, kā norādīts šīs rokasgrāmatas instrukcijās. Ja iedarbināt motoru bez eļļas, motors tiks sabojāts un to nevarēs labot, izmantojot garantiju.

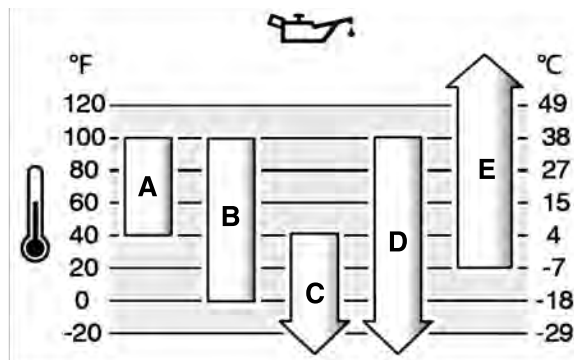
- Iznemiet mērstieni (A, attēls 15) un noslaukiet ar drānu
- Ievietojiet atpakaļ un pievelciet mērstieni (A, attēls 15)
- Iznemiet mērstieni un pārbaudiet eļļas līmeni. Pārliecināties, ka eļļas līmenis ir pilnās tvertnes indikatora augšpusē (B, attēls 15) uz mērstieņa.
- Dzinējam ir divas eļļas uzpildes (C, G, attēls 16). Ja eļļas līmenis ir zems, lēnām pielejiet eļļu motoreļļas iepildīšanas atverē (C, G). Neieliet pārāk daudz eļļas. Pēc eļļas pieliešanas pagaidiet vienu minūti un pēc tam atkal pārbaudiet eļļas līmeni. Pārliecināties, ka eļļas līmenis ir pareizs.
- Ievietojiet atpakaļ un pievelciet mērstieni (A, attēls 15)

Ar eļļu saistītie ieteikumi

Eļļas ietilpība: Skatīt sadaļu **Specifikācijas**.

Vislabākajam sniegunam mēs iesakām lietot Briggs & Stratton® garantijas prasībām atbilstošas sertificētās eļļas. Atļauts lietot citas augstas kvalitātes eļļas ar mazgājošām piedevām, ja eļļas servisa klase ir SF, SG, SH, SJ vai augstāka. Neizmantojiet speciālās piedevas.

Izmantojiet tabulu, lai izvēlētos labāko viskozitāti paredzamajam ārgaisa temperatūras diapazonam. Ar 5W-30 sintētisko eļļu labi strādā dzinēji vairumam iekārtu, kas paredzētas darbam ārpus telpām. Iekārtām, kas darbojas augstā temperatūrā, vislabāko aizsardzību nodrošina Vanguard® 15W-50 sintētiskā eļļa.



A	SAE 30 – SAE 30 lietošana zem 40 °F (4 °C) aprūtinās iedarbināšanu.
B	10W-30 – 10W-30 lietošana virs 80 °F (27 °C) var palielināt eļļas patēriņu. Bieži pārbaudiet eļļas līmeni.
C	5W-30
D	Sintētiskā 5W-30
E	Vanguard® sintētiskā 15W-50

Zema eļļas līmeņa aizsardzības sistēma (ja uzstādīta)

Dažiem motoriem ir uzstādīts zema eļļas līmeņa sensors. Ja eļļas līmenis būs zems, sensors rādīs brīdinājumu gaismu vai apturēs dzinēju. Apturiet dzinēju un veiciet norādītās darbības pirms iedarbināt dzinēju.

- Pārliecināties, ka dzinējs ir horizontāli.
- Veikt eļļas pārbaudi. Skatīt sadaļu **Pārbaudiet eļļas līmeni**.
- Ja eļļas līmenis ir zems, pievienot pareizu eļļas daudzumu. Iedarbiniet dzinēju un pārliecināties, ka neiedegas brīdinājuma gaisma (ja ir aprīkojumā).
- Ja eļļas līmenis nav zems, neiedarbināt motoru. Sazinieties ar Briggs & Stratton autorizētu servisa pārstāvi, lai novērstu eļļas problēmas.

Ieteikumi par degvielu

Degvielai jābūt atbilstoši šādām prasībām:

- Tīrs, svaigs, bezsvina benzīns.
- Oktānskaitlis vismaz 87/87 AKI (91 RON). Lietošana lielā augstumā, skatīt zemāk.
- Ir atļauts benzīns ar līdz 10% etanola (gasohols).

IEVĒRĪBAI

Neizmantojiet neapstiprinātu benzīnu, piemēram, E15 vai E85. Neiemaisīt eļļu benzīnā, kā arī nomainīt motoru darbam ar citu degvielu. Neapstiprinātu degvielu izmantošana var sabojāt motora sastāvdaļas, un šos bojājumus garantija nesedz.

Lai aizsargātu degvielas sistēmu no sveķu veidošanās un korozijas, piejauciet degvielai spirtu nesaturošu degvielas stabilizētāju un piedevu spirtu saturošai degvielai. Skatīt sadaļu **Uzglabāšana**. Visas degvielas nav vienādas. Ja parādās iedarbināšanas vai snieguma problēmas, nomainīt degvielas piegādātāju vai zīmolu. Šis dzinējs ir sertificēts darbam ar benzīnu. Karburatora motora emisiju kontroles sistēma ir EM (motora modifikācija). Motoriem ar elektronisko degvielas iesmidzināšanu emisiju kontroles sistēmas ir ECM (motora vadības modulis), MFI (degvielas iesmidzināšana vairākās pieslēgvietās), TBI (droseļvārsta korpusa degvielas iesmidzināšana) un O2S (skābekļa sensors), ja aprīkots.

Liels augstums

Augstāk par 5000 pēdām (1524 metriem) ir atļauts izmantot benzīnu, kura oktānskaitlis ir vismaz 85/85 AKI (89 RON).

Dzinējiem ar karburatoriem jāveic pielāgošana lieliem augstumiem, lai saglabātu veikumu. Bez šiem pielāgojumiem iekārtas veikums samazinās, bet degvielas patēriņš un izmešu daudzums palielinās. Sazinieties ar pilnvarotu Briggs & Stratton servisa pārstāvi, lai iegūtu informāciju par liela augstuma pielāgojumiem. Dzinēja darbināšana augstumā, kas mazāks par 2500 pēdām (762 metriem) v.j.l., liela augstuma komplektācijā nav ieteicama.

Dzinējiem ar elektronisko degvielas iesmidzināšanas sistēmu (EFI) augstkalnu iestatījumi nav nepieciešami.

Pielejiet degvielu



BRĪDINĀJUMS

Degviela un tās tvaiki ir viegli uzliesmojoši un sprādzienbīstami. Aizdeģšanās vai sprādziens varētu izraisīt apdegumus vai nāvi.

Kad pieliet degvielu

- Apstādiniet dzinēju. Pirms noņemt degvielas tvertnes vāciņu, pagaidīt vismaz divas (2) minūtes, lai pārlicinātos, ka motors ir atdzisis.
 - Uzpildīt degvielas tvertni ārā vai zonā, kur ir laba gaisa plūsma.
 - Neiepildīt degvielas tvertnē pārāk daudz degvielas. Lai degviela varētu izplesties, neuzpildīt augstāk par degvielas tvertnes kakliņa apakšmalu.
 - Degvielas tuvumā nedrīkst būt dzirksteles, atklātas liesmas, signāllampīnas, siltuma avoti vai citi aizdeģšanās avoti.
 - Bieži pārbaudīt degvielas šļūtenes, degvielas tvertni, degvielas tvertnes vāciņu un savienojumus, vai tajos nav plaisu vai sūču. Nomainīt bojātās daļas.
 - Ja degviela izlīst, pagaidiet līdz tā izžūst pirms Jūs iedarbināt motoru.
1. Noīrēt degvielas tvertnes vāciņa apkārtni no netīrumiem un gružiem. Noņemiet degvielas tvertnes vāciņu.
 2. Uzpildīt degvielas tvertni (A, attēls 17) ar degvielu. Tā kā degviela izplešies, neuzpildīt augstāk par degvielas tvertnes kakliņu (B).
 3. Uzlieciet degvielas tvertnes vāciņu.

Iedarbiniet dzinēju



BRĪDINĀJUMS

INDĪGAS GĀZES BĪSTAMĪBA. Dzinēja izplūdes gāzes satur tvana gāzi, tā ir indīga gāze, kas var nogalināt jūs dažās minūtēs. Pat, ja nevarat saost izplūdes dūmus, pastāv iespējama, ka uz Jums iedarbojas tvana gāze. Ja jūtat nelabumu, reiboni vai vājumu, kad lietojat iekārtu, NEKAVĒJOTIES izslēdziet to un izejiet svaigā gaisā. Sazinieties ar ārstu. Iespējams, jums ir saindēšanās ar tvana gāzi.

- Telpās tvana gāze var sakrāties. Lai samazinātu risku, ka tvana gāze varētu sakrāties un iekļūt dzīvojamās telpās, lietot iekārtu TIKAI ārpus telpām, tālu no mājas logiem, durvīm vai ventilācijas lūkām.
- Atbilstoši ražotāja instrukcijām uzstādīt tvana gāzes signalizatorus ar baterijām vai no līgzdas barojamus tvana gāzes signalizatorus ar bateriju rezerves barošanu. Dūmu detektorī nevar noteikt tvana gāzi.
- NEDARBINĀT šo produktu mājās, garāžā, pagrabā, tehniskajos starpstāvos, šķūnī vai citā slēgtā telpā, pat ja izmantojat ventilatorus vai atverat durvis un logus, lai nodrošinātu ventilāciju. Pēc šī produkta lietošanas tvana gāze var ātri sakrāties šajās vietās un palikt tur stundām ilgi.
- VIENMĒR novietot produktu pa vējam un vērst motora izplūdes gāzes prom no apdzīvotām telpām.



BRĪDINĀJUMS

Degviela un tās tvaiki ir viegli uzliesmojoši un sprādzienbīstami. Aizdeģšanās vai sprādziens varētu izraisīt apdegumus vai nāvi.

Kad iedarbināt motoru:

- Pārlicinieties, ka aizdedzes svece, slāpētājs, degvielas tvertnes vāciņš un gaisa filtrs (ja ir aprīkojumā) ir pareizi uzstādīti.
- Neiedarbiniet dzinēju, ja nav pieslēgta aizdedzes svece.
- Ja motors ir pārpludināts, iestafīt droseli (ja aprīkojumā) stāvoklī ATVĒRTA vai DARBOJAS. Pārvietot droselēvārstu (ja ir aprīkojumā) stāvoklī ĀTRI un ieslēgt līdz motors iedarbojas.
- Neiedarbināt motoru, ja tuvumā ir dabasgāzes vai šķidrā propāna gāzes noplūde.
- Tā kā tvaiki ir viegli uzliesmojoši, neizmantojot spiesti iedarbināšanas šķidrums.



BRĪDINĀJUMS

Rotējošas daļas var ievilk rokas, kājas, matus, apģērbu vai piederumus un izraisīt traumatisku amputāciju vai plēstas brūces.

- Darbināt iekārtu ar pareizi uzstādītiem aizsardzības elementiem.
- Turiet rokas un kājas atstātus no rotējošām daļām.
- Noņem rotaslietas un pārlicināties, ka gari mati nav rotējošu daļu tuvumā.
- Nevalkāt vaļīgas drēbes vai lietas, kas varētu tikt ierautas.



BRĪDINĀJUMS

Ātra startera auklas ieraušana atpakaļ (atsitiens) var paraut plaukstu un roku uz motora pusi ātrāk nekā varēsīt palaist to vaļā. Tā rezultātā iespējami laužti kauli, plīsumi, zilumi (sitienu pēdas) vai sastiepumi.

- Lai izvairītos no atsitienu, kad iedarbiniet motoru, lēnām velciet startera auklu līdz sajūtat pretestību, tad paraujiet strauji.
- Pirms motora iedarbināšanas atvienojiet vai noņemiet visas ārējās iekārtas/ motora noslodzi.
- Pārlicināties, ka tieši pievienotās iekārtas sastāvdaļas, piemēram, bet ne tikai, asmeņi, spārnu rati, trīši un zobrati u.c. ir droši piestiprināti.

PIEZĪME: Jūsu iekārtai var būt tālvadība. Par tālvadības izvietojumu un darbināšanu skatīt iekārtas rokasgrāmatu.

1. Pārbaudiet dzinēja eļļu. Skatīt sadaļu **Pārbaudiet eļļas līmeni**.
2. Pārlicināties, ka ir atvienotas iekārtas piedziņas vadības ierīces, ja ir aprīkojumā.
3. Virziet drosēles vadības ierīci / TransportGuard® (A, attēls 18), ja ir aprīkojumā, uz pozīciju ĀTRI vai DARBINĀT. Darbiniet dzinēju pozīcijā ĀTRI vai DARBINĀT.
4. Pārvietojiet drosēles vadības ierīci (B, attēls 18) uz pozīciju CLOSED (aizvērts).

Droselēšana parasti nav vajadzīga, ja tiek iedarbināts ieslīcis motors.

5. **Iegriežamais starteris (Rewind Start), ja ierīkots.** Stingri satveriet startera auklas rokturi (C, attēls 18). Lēnām velciet startera auklas rokturi, līdz sajūtam pretestību, tad ātri paraujiet.



BRĪDINĀJUMS

Ātra startera auklas ieraušana atpakaļ (atsitiens) var paraut plaukstu un roku uz motora pusi ātrāk nekā varēsīt palaist to vaļā. Tā rezultātā iespējami laužti kauli, plīsumi, zilumi (sitienu pēdas) vai sastiepumi.

- Lai izvairītos no atsitienu, kad iedarbiniet motoru, lēnām velciet startera auklu līdz sajūtat pretestību, tad paraujiet strauji.
 - Pirms motora iedarbināšanas atvienojiet vai noņemiet visas ārējās iekārtas/motora noslodzi.
 - Pārlicināties, ka tieši pievienotās iekārtas sastāvdaļas, piemēram, bet ne tikai, asmeņi, spārnu rati, trīši un zobrati u.c. ir droši piestiprināti.
6. **Elektriskā iedarbināšana, ja ir uzstādīta:** Pagrieziet elektriskās iedarbināšanas slēdzi (D, attēls 18) pozīcijā IEDARBINĀT.

IEVĒRĪBAI

Lai pagarinātu startera darbību, veiciet īsus iedarbināšanas ciklus (maksimāli piecas sekundes). Starp iedarbināšanas cikliem pagaidīt vienu minūti.

7. Kad dzinējs ieslīcis, virziet gaisa vārsta vadību (B, attēls 18) uz pozīciju ATVĒRTS.

Ja dzinējs pēc 2 vai 3 mēģinājumiem neiedarbojas, sazinieties ar vietējo izplatītāju, dodieties uz vanguardpower.com vai zvaniet 1-800-999-9333 (ASV).

Apstādiniet dzinēju



BRĪDINĀJUMS

Degviela un tās tvaiki ir viegli uzliesmojoši un sprādzienbīstami. Aizdeģšanās vai sprādziens varētu izraisīt apdegumus vai nāvi.

- Nekad nenoslāpēt motoru ar karburatora (ja ir aprīkojumā) droselēšanas palīdzību.

Drosēles vadības ierīce / TransportGuard®: Pārvietojiet drosēles vadības ierīces / TransportGuard® sviru (A, attēls 19) uz pozīciju IZSLĒGTS vai APTURĒT.

PIEZĪME: Kad drosēles vadības ierīces / TransportGuard® svira (A, attēls 19) ir stāvoklī IZSLĒGTS vai APTURĒT, degvielas vārsts ir stāvoklī IZSLĒGTS. Kad transportējat iekārtu, vienmēr pārvietojiet drosēles vadības ierīci / TransportGuard® pozīcijā IZSLĒGTS vai APTURĒT.

PIEZĪME: Atslēga (D, attēls 19) neapstādina dzinēju. Atslēga TIKAI iedarbina dzinēju. Vienmēr izņemiet atslēgu (D) un glabājiet to drošā, bērniem nepieejamā vietā.

Apkope

Apkopes informācija



BRĪDINĀJUMS

Degviela un tās tvaiki ir viegli uzliesmojoši un sprādzienbīstami. Aizdeģšanās vai sprādziens varētu izraisīt apdegumus vai nāvi.

Ja apkopes laikā nepieciešams sagāzt iekārtu slīpi, pārliecinieties, ka degvielas tvertne, ja uzstādīta uz motora, ir tukša un aizdedzes sveces puse ir vērsta uz augšu. Ja degvielas tvertne nav tukša, tā var izplūst un var izraisīt aizdeģšanos vai sprādzienu. Ja motors tiek pacelts citā virzienā, to nebūs viegli iedarbināt gaisa filtra vai aizdedzes sveces piesārņošanas ar eļļu vai degvielu dēļ.



BRĪDINĀJUMS

Nejaušas dzinēja sveces dzirksteles var izraisīt elektriskās strāvas triecienu, aizdeģšanos vai sprādzienu un izraisīt ievilkšanu, traumatisku amputāciju vai plēstas brūces.

Pirms veicat pielāgojumus vai labošanu:

- Atvienojiet visus aizdedzes sveces vadus un turiet tos atstātus no aizdedzes svečēm.
- Atvienojiet akumulatora vadu no negatīvās akumulatora spaiļes (tikai dzinējiem ar elektrisko iedarbināšanu).
- Izmantot tikai pareizus instrumentus.

Kad pārbaudat dzirksteli:

- Lietojiet tikai sertificētos aizdedzes sveču testerus.
- nepārbaudīt dzirksteli ar izņemtu aizdedzes sveci.



BRĪDINĀJUMS

Rezerves daļām jābūt vienādas konstrukcijas un uzstādītām tajā pašā vietā, kur oriģinālās daļas. Citām detaļām varētu tikt izraisīti bojājumi vai izraisīta trauma.

IEVĒRĪBAI

Lai darbība būtu pareiza, visām motora izgatavošanā izmantotajām sastāvdaļām jāpaliek savās vietās.

Vērsieties pie jebkura Briggs & Stratton autorizēta servisa pārstāvja dzinēja un dzinēja daļu visas apkopes un servisa veikšanai.

Emisiju kontroles apkalpošana

Lai veiktu emisijas kontroles ierīču un sistēmu remontu, maiņu vai apkopi, sazināties ar kvalificētu bezceļa motoru remonta iestādi vai servisa tehniķi Tomēr, lai iegūtu „bezmaksas” emisiju kontroles servisu, darbu jāveic rūpnīcas pilnvarotam izplatītājam. Skatiet Emisiju kontroles deklarācijas.

Apkopes grafiks

Pēc pirmajām 5 darba stundām
<ul style="list-style-type: none">• Nomainiet eļļu.
Ar 8 stundu intervāliem vai reizi dienā
<ul style="list-style-type: none">• Pārbaudiet dzinēja eļļu līmeni.• Notīriet virsmu ap slāpētāju un vadības elementiem.• Notīriet gaisa ieplūdes atveres režģi
Ar 100 stundu intervāliem vai reizi gadā
<ul style="list-style-type: none">• Veiciet izplūdes sistēmas apkopi.• Nomainiet eļļu reduktorā (ja uzstādīts).
Ar 200 stundu intervāliem vai reizi gadā
<ul style="list-style-type: none">• Nomainiet motoreļļu.• Iztīriet gaisa filtru¹
Ar 600 stundu intervāliem vai reizi 3 gados
<ul style="list-style-type: none">• Nomainiet gaisa filtru.
katru gadu

- Nomainiet aizdedzes sveci.
- Veiciet degvielas sistēmas apkopi.
- Apkopiet dzesēšanas sistēmu¹.
- Pārbaudiet vārsta atstarpi².

¹Tīriet daudz biežāk putekļainos apstākļos vai, ja gaisā ir daudz daļiņu.

²Nav nepieciešams, ja vien netiek konstatētas problēmas dzinējā.

Karburators un motora apgriezieni

Neveikt pielāgojumus karburatoram, regulatora atsperei, savienojumiem vai citām daļām, lai pielāgotu dzinēja ātrumu. Ja ir nepieciešams veikt kādus regulējumus, vērsieties Briggs & Stratton autorizēta servisa pārstāvja centrā.

IEVĒRĪBAI

Iekārtas ražotājs ir definējis maksimālo ātrumu iekārtā iemontētajam motoram. Nepārsniedz šo ātrumu. Ja neesat pārliecināts par to, kāds ir iekārtas maksimālais ātrums, vai kāds ātrums motoram ir iestatīts rūpnīcā, vērsieties Briggs & Stratton autorizētā servisa pārstāvja centrā. Lai pareizi un droši lietotu iekārtu, motora ātrumu drīkst regulēt tikai kvalificēts servisa tehniķis.

Aizdedzes sveču apkope

Pārbaudiet aizdedzes sveces spraugu (A, Attēls 20) ar stieples kalibru (B). Ja nepieciešams, iestatiet aizdedzes sveces spraugu. Uzstādiet un pievelciet aizdedzes sveci ar pareizu griezes momentu. Informāciju par spraugas un griezes momenta specifikācijām skatīt sadaļā **Specifikācijas**.

Izplūdes un dzesēšanas sistēmu apkope



BRĪDINĀJUMS

Darbības laikā motors un slāpētājs kļūst karsti. Aizskarot karstu motoru, var rasties termiski apdegumi.

Tādi degoši materiāli kā nokritušas koka lapas, zāle un krūmāji var uzliesmot.

- Pirms aizskarot motoru vai slāpētāju, apturiet dzinēju un pagaidiet divas (2) minūtes. Pārliecinieties, ka motoram un slāpētājam var droši pieskarties.
- Notīrīt netīrumus no slāpētāja un motora.

Tas klasificējas kā Kalifornijas Publisko resursu likuma, sadaļas 4442, pārkāpums: izmantot dzinēju meža, krūmu vai zāles klātās teritorijās, ja izplūdes sistēma nav apņikota ar dzirksteli uztvērēju, kā norādīts sadaļā 4442, un tas netiek pienācīgi apkopts. Citos štatos vai federālajās jurisdikcijās var būt līdzīgi likumi; atsaucē uz Federālo noteikumu 36 CFR, 261.52. daļu. Sazinieties ar ražotāju, mazumtirgotāju vai izplatītāju, lai iegūtu dzirksteli uztvērēju, kas paredzēts izplūdes sistēmai, kas uzstādīta šim dzinējam.

Šis ir dzinējs ar gaisa dzesēšanu. Gruži vai nevēlami materiāli var traucēt gaisa plūsmu un izraisīt pārāk lielu dzinēja uzkaršanu. Tas izraisa neapmierinošu veiktspēju un samazina dzinēja kalpošanas laiku. Cilindra dzesēšanas ventilatori var savākt nevēlamus materiālus, no kā nevar atbrīvoties bez daļējas dzinēja izjaukšanas. Pārliecinieties, ka Briggs & Stratton autorizēts servisa pārstāvis pārbauda un iztīra gaisa dzesēšanas sistēmu. Skatieties **Tehniskās apkopes grafiku**.

1. Pārliecinieties, ka ap slāpētāju un aiz tā nav viegli uzliesmojoši materiāli.
2. Ar suku vai sausu drānu noņemiet visus nevēlamus materiālus no pūtēja korpusa pārsega, slāpētāja un cilindra zonas. NEIZMANTOJIET ūdeni dzinēja tīrīšanai.
3. Pārliecinieties, ka saites, atsperes un vadības ierīces ir tīras.
4. Pārbaudīt, vai slāpētājam nav plaisu, korozijas vai citu bojājumu.
5. Noņemiet dzirksteli slāpētāju, ja uzstādīts, apskatiet, vai nav bojājumu vai kvēpu radīti aizbīvējumi. Pārliecinieties, ka notīrāt vai uzstādāt nomaināmās rezerves daļas, pirms darbojaties ar iekārtu.
6. Ja ir uzstādītas eļļas dzesētāja ribas, pārliecinieties, ka tās ir tīras.

Nomainiet motoreļļu



BRĪDINĀJUMS

Degviela un tās tvaiki ir viegli uzliesmojoši un sprādzienbīstami. Aizdeģšanās vai sprādziens varētu izraisīt apdegumus vai nāvi.

Darbības laikā motors un slāpētājs kļūst karsti. Aizskarot karstu motoru, var rasties termiski apdegumi.

- Ja eļļa tiek izvadīta izmantojot augšējo eļļas uzpildes cauruli, degvielas tvertnei jābūt tukšai. Ja tā nav tukša, degviela var izplūst un izraisīt aizdeģšanos vai sprādzienu.
- Pirms aizskarot motoru vai slāpētāju, apturiet dzinēju un pagaidiet divas (2) minūtes. Pārliecinieties, ka motoram un slāpētājam var droši pieskarties.

Atstrādātā eļļa ir bīstams atkritumprodukts, un tā ir pareizi jāutilizē. Neizmetiet kopā ar saimniecības atkritumiem. Sazinieties ar vietējām iestādēm, servisa centru vai izplatītāju, lai uzzinātu, kur atrodas drošas utilizācijas vai pārstrādes punkti.

Just Check & Add™ modeļiem eļļas nomaīņa nav nepieciešama. Ja nepieciešama eļļas nomaīņa, skatiet turpmāk norādīto procedūru.

Izteciniet eļļu

1. Kad motors ir izslēgts, bet joprojām silts, atvienojiet aizdedzes sveces vadus (D, attēls 21) un turiet to atstātus no aizdedzes sveces(-ēm) (E).
2. Izņemiet mērstieni (A, attēls 22).
3. Dzinējam ir divi eļļas iztecināšanas aizgriežņi (H, F, attēls 23). Noņemiet eļļas iztecināšanas aizgriežņus (H, F). Izteciniet eļļu atbilstošā tvertnē.
4. Uzstādiet un pievelciet eļļas noliešanas noslēgus (H, F, attēls 23).

Pielejiet eļļu

- Pārlicinieties, ka dzinējs atrodas horizontāli.
- Notīriet eļļas uzpildes apkārtni no visiem nepiederošajiem materiāliem.
- Skatīt eļļas ietilpības daudzumu sadaļā **Specifikācijas**.

1. Izņemiet mērstieni. Skatīt sadaļu **Iztecina eļļu**.
2. Lēnām pielejiet eļļu vienā no motora eļļas iepildīšanas atverēm (C, G, attēls 24). Neieliet pārāk daudz eļļas.
3. Gaidiet vienu minūti un tad pārbaudiet eļļas līmeni.
4. Ievietojiet mērstieni.
5. Izņemiet mērstieni un pārbaudiet eļļas līmeni. Pareizs eļļas līmenis ir redzams uz mērstieņa kā līmenis pilnas tvertnes indikatora augšpusē. Skatīt sadaļu **Pārbaudiet eļļas līmeni**.
6. Vēlreiz ielieciet un pievelciet mērstieni.
7. Pievienojiet aizdedzes sveces vadu(-s) pie aizdedzes sveces(-ēm). Skatīt sadaļu **Eļļas noliešana**.

Nomainiet reduktora eļļu

Daži motori ir aprīkoti ar reduktoru. Ja tas ir aprīkojumā, skatiet darbības vienu no sekojošajiem reduktoriem.

2:1 ķēdes reduktors

Ja motors ir uzstādīts ar 2:1 ķēdes reduktoru (G, attēls 25), nav nepieciešama eļļas maiņa. Eļļa, kas ir dzinējā, eļļo arī ķēdes reduktora bloku.

2:1 mitrā sajūga reduktors

Ja dzinējs ir aprīkots ar 2:1 mitro sajūgu, veiciet šādas darbības:

1. Izņemiet mērstieni (A, attēls 26).
2. Noņemiet eļļas noliešanas aizgriežni (B, attēls 26) un izlejiet eļļu atbilstošā tvertnē.
3. Uzstādiet un pievelciet eļļas noliešanas aizgriežni (B, attēls 26).
4. Lēnām ielejiet eļļu eļļas iepildīšanas atverē (C, attēls 26). Skatiet sadaļu **Specifikācijas**.
5. Ievietojiet mērstieni (A, attēls 26).
6. Izņemiet mērstieni (A, attēls 26) un pārbaudiet eļļas līmeni. Pareizais eļļas līmenis ir pilnās tvertnes indikatora augšpusē (D) uz mērstieņa.
7. Ievietojiet mērstieni (A, attēls 26).

6:1 Reduktors

Ja motors ir aprīkots ar 6:1 reduktoru, veiciet šādas darbības:

1. Noņemiet eļļas iepildīšanas aizbāzni (A, attēls 27) un eļļas līmeņa aizbāzni (B).
2. Noņemiet eļļas noliešanas aizgriežni (C, attēls 27) un izlejiet eļļu atbilstošā tvertnē.
3. Uzstādiet un pievelciet eļļas noliešanas aizgriežni (C, attēls 27).
4. Eļļas uzpildes atverē (D, attēls 27) lēnām ielejiet reduktora eļļu (80W-90). Turpiniet liet reduktora eļļu (80W-90), līdz eļļa līst no eļļas līmeņa atveres (E).
5. Uzstādiet un pievelciet eļļas līmeņa aizgriežni (B, attēls 27).
6. Uzstādiet un pievelciet eļļas uzpildes aizgriežni (A, attēls 27).

PIEZĪME: Eļļas iepildes aizbāzņim (A, attēls 27) ir ventilācijas atvere (F) un tā ir jāmontē pārnesumu kārbās pārsegā, kā parādīts attēlā.

Gaisa filtra apkope

BRĪDINĀJUMS

Degvielas tvaiki ir uzliesmojoši un sprādzienbīstami. Aizdegšanās vai sprādziens varētu izraisīt apdegumus vai nāvi.

- Nekad neiedarbināt un nedarbināt motoru ar noņemtu gaisa attīrīšanas mezglu (ja ir aprīkojumā) vai gaisa filtru (ja ir aprīkojumā).

IEVĒRĪBAI

Filtera tīrīšanai neizmantojiet saspiestu gaisu vai šķīdinātājus. Saspiests gaiss varētu sabojāt filtru, bet šķīdinātāji izšķīdinās filtru.

Skatīt sadaļu **Apkopes diagramma**, kur norādītas apkopes prasības.

Dažādiem modeļiem tiks izmantots porolona vai papīra filtrs. Daži modeļi var arī būt aprīkoti ar rupjo filtru, kuru var mazgāt un lietot atkārtoti. Salīdziniet ilustrācijas šajā rokasgrāmatā ar tipu, kas uzstādīts jūsu dzinējam, un atbilstoši veiciet apkopi.

Papīra gaisa filtrs

1. Palaidiet vaļīgāk fiksatoru(-s) (C, attēls 28).
2. Noņemiet vāku (A, attēls 28) un filtru (B).
3. Lai atdalītu gružus, uzmanīgi pasītiat filtru (B, attēls 28) pret cietu virsmu. Ja filtrs ir netīrs, nomainiet ar jaunu filtru.
4. Uzlieciet filtru (B, attēls 28).
5. Uzlieciet vāku (A, attēls 28) un nostipriniet ar fiksatoru(-iem) (C). Pārlicinieties, ka fiksators(-i) ir nostiprināts(-i).

Papīra gaisa filtrs - zema profila

1. Pārvietojiet aizšaujamo (A, attēls 29), lai atbrīvotu vāku (C).
2. Iebīdiat tapas (B, attēls 29) un noņemiet vāku (C).
3. Izņemiet filtru (D, attēls 29).
4. Lai atdalītu gružus, uzmanīgi pasītiat filtru (D, attēls 29) pret cietu virsmu. Ja filtrs ir netīrs, nomainiet ar jaunu filtru.
5. Uzstādiet filtru (D, attēls 29).
6. Uzstādiet vāku (C, attēls 29). Pārvietojiet aizšaujamo (A) slēgtā stāvoklī.

PIEZĪME: Pārbaudiet putuplasta blīves sēžu (E, attēls 29). Pārlicinieties, ka putuplasta blīves perimetrs ir pareizi novietots kanālā (F).

Degvielas sistēmas apkope

BRĪDINĀJUMS

Degviela un tās tvaiki ir viegli uzliesmojoši un sprādzienbīstami. Aizdegšanās vai sprādziens varētu izraisīt apdegumus vai nāvi.

- Degvielas tuvumā nedrīkst būt dzirksteles, atklātas liesmas, signāllampiņas, siltuma avoti vai citi aizdegšanās avoti.
- Bieži pārbaudīt degvielas šļūtenes, degvielas tvertni, degvielas tvertnes vāciņu un savienojumus, vai tajos nav plaisu vai sūču. Nomainīt bojātās daļas.
- Ja degviela izlīst, pagaidiet līdz tā izžūst pirms Jūs iedarbināt motoru.

Degvielas attīrīšanas siets, ja uzstādīts

1. Noņemiet degvielas tvertnes vāciņu (A, attēls 30).
2. Noņemiet degvielas attīrīšanas sietu (B, attēls 30).
3. Ja degvielas attīrīšanas siets ir netīrs, izīriet vai nomainiet to. Ja jūs nomainiet degvielas sietiņu, pārlicinieties, ka izmantojiet oriģinālo iekārtas nomaīņas degvielas sietiņu.

Uzglabāšana

Degvielas sistēma

Skatiet attēlu: 31.

BRĪDINĀJUMS

Degviela un tās tvaiki ir viegli uzliesmojoši un sprādzienbīstami. Aizdegšanās vai sprādziens varētu izraisīt apdegumus vai nāvi.

Degvielas uzglabāšana

- Tā kā signāllampiņas vai citi aizdegšanās avoti var izraisīt sprādzienu, turēt degvielu vai iekārtu drošā attālumā no kurtuvēm, krāsnīm, boileriem un citām līdzīgām ierīcēm, kurām ir signāllampiņas.

Turēt motoru līmeniski (parastā darba stāvoklī). Uzpildiet degvielas tvertni (A, attēls 31) ar degvielu. Lai ļautu degvielai izplesties, nepiepildiet augstāk par degvielas tvertnes kakliņu (B).

Ja degviela tiek uzglabāta uzglabāšanas tvertnē vairāk par 30 dienām, tā var zaudēt svaigumu. Lai novērstu degvielas pasliktināšanos un degviela būtu svaiga, tiek ieteikts degvielas uzglabāšanas tvertnē izmantot spirtu nesaturošu degvielas stabilizatoru un piedevu etanolam.

Uzpildot degvielas tvertnē degvielu, pievienojiet spirtu nesaturošu degvielas stabilizatoru, kā norādīts ražotāja instrukcijās. Ja benzīns dzinējā netiek apstrādāts ar degvielas stabilizatoru, tas jāizteicina piemērotā konteinerā. Darbiniet dzinēju, līdz beidzas degviela.

Motoreļļa

Motoreļļu jāmaina, kamēr dzinējs ir vēl silts. Skatiet sadaļu **Nomainiet dzinējaļļu**.

Problēmu novēršana

Palīdzība

Lai saņemtu palīdzību, sazinieties ar savu vietējo izplatītāju, atveriet **BRIGGSandSTRATTON.COM** vai zvaniet uz **1-800-444-7774** (ASV).

Specifikācijas un apkopes daļas

Specifikācijas	Modelis: 10V000	Modelis: 12V000
Darba tilpums	10.313 kubikcolla (169 cm ³)	12.387 kubikcolla (203 cm ³)
lekšējais diametrs	2.44 collas (62 mm)	2.677 collas (68 mm)
Virzuļa gājiens	2.204 collas (56 mm)	2.204 collas (56 mm)
Eļļas ietilpība	18 - 20 unce (,54 - ,59 l)	18 - 20 unce (,54 - ,59 l)
2:1 mitrā sajūga reduktors - eļļas veids	10W-30	10W-30
2:1 mitrā sajūga reduktors - eļļas ietilpība	10 unce (,30 l)	10 unce (,30 l)
6:1 reduktora - eļļas veids	80W-90	80W-90
6:1 reduktors - eļļas ietilpība	4 unce (12 l)	4 unce (12 l)
Aizdedzes sveces sprauga	.030 collas (,76 mm)	.030 collas (,76 mm)
Aizdedzes sveces pievilkšanas moments	180 mārciņa-colla (20 Nm)	180 mārciņa-colla (20 Nm)
Indukcijas spoles (armatūras) gaisa sprauga	.010 - .013 in (,25 - ,35 mm)	.010 - .013 in (,25 - ,35 mm)
leplūdes vārsta sprauga	.004 - .006 in (,10 - ,15 mm)	.004 - .006 in (,10 - ,15 mm)
Izplūdes vārsta sprauga	.005 - .007 in (,15 - ,20 mm)	.005 - .007 in (,15 - ,20 mm)

Specifikācijas	Modelis: 25V000
Darba tilpums	24.898 kubikcolla (408 cm ³)
lekšējais diametrs	3.465 in (88 mm)
Virzuļa gājiens	2.638 in (67 mm)
Troses montāžas kronšteina bultskrūve	30 mārciņa-colla (3,4 Nm)
Vada aiztura skrūve	25 mārciņa-colla (2,8 Nm)
Eļļas ietilpība	18 - 20 unce (,54 - ,59 l)
Aizdedzes sveces sprauga	.030 collas (,76 mm)
Aizdedzes sveces pievilkšanas moments	180 mārciņa-colla (20 Nm)
Indukcijas spoles (armatūras) gaisa sprauga	.010 - .013 collas (,25 - ,35 mm)
leplūdes vārsta sprauga	.004 - .006 collas (,10 - ,15 mm)
Izplūdes vārsta sprauga	.005 - .007 collas (,15 - ,20 mm)

Motora jauda samazināsies par 3,5 % uz katrām 1000 pēdām (300 metriem) virs jūras līmeņa un par 1 % uz katriem 10 °F (5,6 °C) virs 77 °F (25 °C). Dzinējs apmierinoši darbosies slūpumā līdz 30°. Skatiet iekārtas operatora rokasgrāmatā droša darba pieļaujamās robežas uz slūpumiem.

Apkopes daļas

Lai iegādātos Briggs & Stratton rezerves daļas, meklējiet autorizētu servisa pārstāvi **BRIGGSandSTRATTON.COM**. Jums būs nepieciešams identifikācijas numurs (modelis - tips - numurs). Lai atrastu dzinēja identifikācijas numuru, skatīt sadaļu **Funkcijas un vadības ierīces**.

Jaudas rādītāji

pieļaujamā pilnā jauda atsevišķiem modeļiem ar benzīna dzinēju tiek apzīmēta atbilstoši novērtējumam pēc SAE (Autoinženieru savienība) kodeksa J1940 (Mazu dzinēju jaudas un griezes momenta noteikšanas procedūra), un to jaudas novērtēšana notiek atbilstoši SAE noteikumiem J1995. Dzinējiem, kuru marķējumā norādīts "rpm", griezes moments ir noteikts pie 2600 apgr./min, visiem pārējiem dzinējiem — pie 3060 apgr./min; zirgspēku daudzums ir noteikts pie 3600 apgr./min. Pilnās jaudas līknes var aplūkot vietnē **www.BRIGGSandSTRATTON.COM**. Efektīvās jaudas vērtības tiek iegūtas, kad ir uzstādīts klusinātājs un gaisa filtrs, bet pilnas jaudas vērtības tiek iegūtas bez

šiem piederumiem. Reālā dzinēja pilnā jauda būs augstāka par efektīvo jaudu, jo to ietekmēs darba vides apstākļi un katra dzinēja individuālās atšķirības. Ņemot vērā plašo izstrādājumu klāstu, kādiem tiek uzstādīti dzinēji, benzīna dzinēji var neatbilst nominālo pilno jaudu, ja tos izmanto ar konkrēto mehānizēto iekārtu. Šīs atšķirības izraisa dažādi faktori, tai skaitā, bet ne tikai — dažādas dzinēja sastāvdaļas (gaisa filtrs, klusinātājs, kompresija, dzesēšanas sistēma, karburators, degvielas sūkņi utt.), lietojuma ierobežojumi, vides apstākļi darba vietā (temperatūra, mitrums, augstums virs jūras līmeņa), kā arī atsevišķu dzinēju individuālās īpatnības. Dažu ražošanas procesa un jaudas ierobežojumu dēļ uzņēmums Briggs & Stratton ir tiesīgs aizvietot šīs sērijas dzinēju ar jaudīgāku.

Garantija

Briggs & Stratton® dzinēja garantija

Spēkā no 2022. gada augusta

Ierobežota garantija

Briggs & Stratton garantē, ka garantijas periodā, kas norādīts zemāk, tas pēc saviem uzskatiem bez maksas salabos vai nomainīs jebkuru daļu ar jaunu, atjaunotu vai pārstrādātu daļu, kurai ir materiāla un/vai ražošanas brāķis vai abi. Transporta izmaksas par prece, kurš šīs garantijas ietvaros iesniegts remontam vai nomainai, jāsedz pircējam. Šī garantija ir spēkā tālāk norādītajos laika periodos un ievērojot tālāk izklāstītos nosacījumus. Lai saņemtu garantijas servisu, atrodiet tuvāko autorizētu servisa pārstāvi mūsu izplatītāju atrašanās vietu kartē **BRIGGSandSTRATTON.COM**. Pircējam ir jāsaņemas ar pilnvaroto apkopes pakalpojumu sniedzēju un jānogādā izstrādājums tā turpmākai pārbaudei un testēšanai pilnvarotajam apkopes pakalpojumu sniedzējam.

Citu tiešo garantiju nav. Netiešas garantijas, produkta kvalitātes un noderīguma noteiktam pielietojumam ieskaitot, ir ierobežotas ar viena gada periodu no pirkuma datuma vai uz likumā atrunāto periodu. Visas pārējās netiešas garantijas ir izslēgtas. Jebkura atbildība par nejausiem vai izrietošiem zaudējumiem tiek izslēgta tādā mērā, kādā šī atbildības izslēgšana ir atrunāta likumā. Dažās pavalstīs un valstīs neatzīst ierobežojumus attiecībā uz to, cik ilgi turpināsies netiešā garantija, bet citās pavalstīs vai valstīs nepieļauj nejausai vai izrietošo zaudējumu izslēgšanu vai ierobežošanu, tādēļ iepriekš minētais ierobežojums un garantijas izslēgšana var uz jums neattiekties. Šī garantija dod Jums noteiktas juridiskas tiesības, bet Jums var būt arī citas tiesības, kas dažādās zemēs un valstīs ir atšķirīgas.

Standarta garantijas nosacījumi ^{1, 2}

Vanguard®, Komerčiālā sērija

Patērētāja lietošana - 36 mēneši

Komerčiāla lietošana - 36 mēneši

XR sērija

Patērētāja lietošana - 24 mēneši

Komerčiāla lietošana - 24 mēneši

Dzinēji ar Dura-Bore™ lietām čuguna čaulām

Patērētāja lietošana - 24 mēneši

Komerčiāla lietošana - 12 mēneši

Visi citi dzinēji

Patērētāja lietošana - 24 mēneši

Komerčiāla lietošana - 3 mēneši

¹ Šie ir mūsu standarta garantijas noteikumi, taču laiku pa laikam iespējams papildus garantijas segums, kāds netika noteikts publikācijas laikā. Lai iepazītos ar jūsu dzinējam pašreiz spēkā esošajiem garantijas noteikumiem, skatiet Internetā **BRIGGSandSTRATTON.COM** vai sazinieties ar jūsu autorizēto Briggs & Stratton servisa pārstāvi.

² Garantija netiek nodrošināta dzinējiem, kas tiek izmantoti iekārtu galvenā dzinējspēka vietā, rezerves generatoriem, ko izmanto komerciāliem mērķiem, vieglajos autofurgonos un kas pārsniedz 25 MPH. Garantija netiek sniegta dzinējiem, ko izmanto ātrumsakīstēm, kā arī komerciālos vai nomas kravas automobiļos.

* Austrālijā - Mūsu precēm ir garantijas, kuras nepieļauj izslēgt Austrālijas Patērētāju likums. Jums ir tiesības nomainīt izstrādājumu vai saņemt naudas līdzekļu atmaksu, ja izstrādājuma darbībā radās būtiski traucējumi, vai arī saņemt atbildību, ja radās citi saprātīgi paredzami zaudējumi vai bojājumi. Turklāt jums ir tiesības iesniegt izstrādājumu remontam vai nomainīt izstrādājumu, ja tā kvalitāte nav pieņemama, taču tā darbības traucējumi nav būtiski. Lai saņemtu garantijas servisu, atrodiet tuvāko autorizēto servisa pārstāvi izplatītāju atrašanās vietu kartē **BRIGGSandSTRATTON.COM** vai piezvaniet uz numuru 1300 274 447, vai nosūtiet e-pastu vai papīra vēstuli uz adresi salesenquiries@briggsandstratton.com.au, Briggs & Stratton Australia Pty Ltd, 1 Moorebank Avenue, Moorebank, NSW, Austrālija, 2170.

Garantijas laiks sākas no datuma, kad prece tika pārdota pirmajam patērētājam caur mazumtirdzniecības tīklu vai vairumtirdzniecības tīklu galapatērētājam komercvidē un turpinās tādu laika posmu, kāds norādīts iepriekš minētajā tabulā. „Sadzīves lietošana” nozīmē, ka mazumtirdzniecības patērētājs lieto precī savā mājaisniecībā. „Komerčiāla lietošana” nozīmē visus pārējos preces lietošanas veidus, ietverot

tirdzniecību, lietošanu ienākumus nesošās nozarēs vai izīrēšanu. Tikko dzinējs ir ticis lietots komerciāli, tas turpmāk attiecībā uz šo garantiju tiek uzskatīts par komerciālas lietošanas dzinēju.

Lai iegūtu Briggs & Stratton izstrādājumu garantiju, nav vajadzīga nekāda garantijas reģistrācija. Saglabājiet savu pirkumu apliecinājošo čeku. Ja jūs neiesniedzat apliecinājumu sākotnējā pirkuma datumam laikā, kad ir nepieciešams garantijas remonts, garantijas perioda noteikšanai tiks izmantots produkta izgatavošanas datums.

Par jūsu garantiju

Šī garantija attiecas tikai uz defektīviem materiāliem, kas saistīti ar dzinēju, un/vai apdares kvalitāti, un nevis uz nomaiņu vai atļūdināšanu iekārtai, kurai dzinējs var būt pierīkots. Šī garantija nesedz kārtējo apkopi, noskaņošanu, noregulēšanu vai normālu nodilumu. Tāpat garantija nav spēkā, ja dzinējs ir ticis izmainīts vai modificēts, vai ja ir dzēsts vai noņemts dzinēja sērijas numurs. Šī garantija nesedz dzinēja bojājumus vai veikuma problēmas, kuras izraisījuši:

1. daļu, kas nav Briggs & Stratton
2. dzinēja darbināšana ar nepietiekamu eļļas līmeni, piesārņotu vai nepareizas kvalitātes eļļu;
3. piesārņotas vai sastāvējušās degvielas izmantošana, benzīna, kurā etilspirta saturs lielāks par 10 %, vai alternatīvu degvielu, piemēram, sašķidrinātas naftas vai dabasgāzes izmantošana dzinējiem, ko Briggs & Stratton nav sākotnēji paredzējuši/izgatavojusi darbināšanai ar šādu degvielu;
4. netīrumi, kas iekļuvuši dzinējā gaisa attīrītāja nepareizas apkopes vai salikšanas rezultātā;
5. rotācijas zāles plāvēja nažu triecieni pret priekšmetiem, vaļņi vai nepareizi uzstādīti nažu adapteri, lāpstīrīteņi vai citas kloķvārpstai pievienotas ierīces vai pārmērīga ķīļsiksna nospriegošana;
6. saistīto daļu vai mezglu, piemēram, saiņūgu, transmisijas, iekārtu vadības ierīču utt., ko nav piegādājis Briggs & Stratton, lietošana;
7. pārkāršana, kas notikusi dzesēšanas ribū vai spararata zonas piesārņošanas vai aizsērēšanas ar nolūpatās zāles daļām, netīrumiem un gružiem vai grauzēju ligzdu dēļ, vai dzinēja darbināšana bez pietiekamas ventilācijas;
8. pārmērīga vibrācija, kuras cēlonis ir pārmērīgi dzinēja apgriezieni, vaļņi dzinēja stiprinājumi, vaļņi vai neizlīdzsvaroti naži vai lāpstīrīteņi vai aprīkojuma nepareiza pievienošana kloķvārpstai;
9. dzinēja nepareiza ekspluatēšana, ikdienas apkopes neveikšana, nepareizi veikta pārsūtīšana, pārkraušana un uzglabāšana, vai dzinēja nepareiza uzstādīšana.

Garantijas apkope ir pieejama, sazinoties ar Briggs & Stratton autorizētajiem servisa pārstāvjiem. Atrodiet tuvāko autorizēto servisa pārstāvi mūsu izplatītāju atrašanās vietu kartē BRIGGSandSTRATTON.COM vai zvaniet uz 1-800-444-7774 (ASV).

80114782 (Redakcija A)

Informacje ogólne



Niniejsza instrukcja zawiera informacje na temat bezpieczeństwa, zagrożeń i ryzyka związanego z silnikiem oraz sposobów zapobiegania im. Zawiera również informacje na temat prawidłowej obsługi i konserwacji silnika. Należy przeczytać i zrozumieć niniejsze instrukcje oraz ich przestrzegać. **Zaleca się zachowanie tej instrukcji do wykorzystania w przyszłości.**

UWAGA: Rysunki i ilustracje zostały zamieszczone w niniejszej instrukcji wyłącznie w celach informacyjnych i mogą być inne od rzeczywistego wyglądu urządzenia posiadanego przez użytkownika. Należy użyć wartości zgodnych z konfiguracją silnika. Jeśli to konieczne, porozmawiaj z Autoryzowanym dealerm serwisowym.

Aby w przyszłości uzyskać części zamienne lub pomoc techniczną, zapisać poniżej model, ustawienie napędu, typ oraz kod silnika wraz z datą zakupu. Te dane znajdują się na silniku. Patrz część **Budowa i elementy obsługowe**.

Data zakupu	
Numer modelu – rodzaj – wykończenie silnika	
Numer seryjny silnika	

Dane kontaktowe biura w Europie

W przypadku pytań dotyczących limitów emisji spalin w Europie prosimy o kontakt z naszym europejskim biurem:

Max-Born-Straße 2, 68519 Viernheim, Niemcy.

Unia Europejska (EU) – Etap V (5): Wartości dwutlenku węgla (CO₂)

Aby znaleźć wartości dwutlenku węgla w silnikach Briggs & Stratton ze świadectwem homologacji typu EU, wpisz CO₂ w oknie wyszukiwania na stronie BriggsandStratton.com.

Bezpieczeństwo operatora

Symbole alarmów bezpieczeństwa i słowa ostrzegawcze



Symbol ostrzegawczy wskazuje na informacje dotyczące zagrożeń, które mogą prowadzić do uszkodzenia ciała. Słowo ostrzegawcze (**NIEBEZPIECZEŃSTWO**, **OSTRZEŻENIE** lub **PRZESTROGA**) stosowane jest w celu wskazania na prawdopodobieństwo wystąpienia poważnego urazu ciała. Dodatkowo, symbol zagrożenia może być używany do zasygnalizowania rodzaju zagrożenia.

NIEBEZPIECZEŃSTWO sygnalizuje zagrożenie, które, jeśli nie uda się go uniknąć, **spowoduje** śmierć lub poważne obrażenia ciała.

OSTRZEŻENIE sygnalizuje zagrożenie, które, jeśli nie uda się go uniknąć, **może** spowodować śmierć lub poważne obrażenia ciała.

PRZESTROGA sygnalizuje zagrożenie, które, w razie jego nieuniknięcia, **może** spowodować niewielkie lub umiarkowane obrażenia ciała.

UWAGA wskazuje informacje uważane za ważne, ale niezwiązane z zagrożeniem.

Symbole zagrożeń i ich znaczenia

Informacje bezpieczeństwa dotyczące zagrożeń, które mogą spowodować obrażenia.	Przed serwisowaniem urządzenia należy zapoznać się z instrukcją obsługi.
Zagrożenie pożarowe	Zagrożenie wybuchem
Niebezpieczeństwo porażenia elektrycznego	Zagrożenie oparami toksycznymi
Zagrożenie związane z gorącą powierzchnią	Zagrożenie odrzutem

Zagrożenie odcięciem przez elementy ruchome	Poziom paliwa – maks. Nie przepelniać
---	---------------------------------------

Komunikaty dot. bezpieczeństwa



OSTRZEŻENIE

Silniki Briggs & Stratton® nie są przeznaczone i nie powinny być wykorzystywane do napędzania: pojazdów rozrywkowych, gokartów, dziecięcych, rekreacyjnych lub sportowych pojazdów terenowych, motocykli, poduszki powietrznej, urządzeń lotniczych oraz pojazdów używanych podczas imprez wyczynowych niezaaprobowanych przez firmę Briggs & Stratton. Informacje na temat produktów przeznaczonych do pojazdów wyścigowych podano na stronie www.briggsracing.com. W celu uzyskania informacji dotyczących użycia produktów w pojazdach użytkowych i terenowych, prosimy skontaktować się z Briggs & Stratton Power Application Center pod numerem 1-866-927-3349. Nieprawidłowe użycie silnika może spowodować poważne obrażenia lub śmierć.

Informacje o utylizacji



Wszystkie kartony, pudła, zużyty olej i baterie poddać recyklingowi zgodnie z przepisami rządowymi.

Budowa i elementy obsługowe

Elementy obsługowe

Należy dopasować litery odwołania na rys. 1, 2 i 3 do elementów sterowania silnika na następującej liście:

- A. Identyfikacja silnika **Model – Typ – Kod**
- B. Świeca zapłonowa
- C. Zbiornik paliwa i korek zbiornika paliwa
- D. Filtr powietrza
- E. Uchwyt uruchamiania linką
- F. Prętowy wskaźnik poziomu oleju
- G. Wlew oleju
- H. Korek spustu oleju
- I. Tłumik, osłona tłumika (jeżeli jest na wyposażeniu), chwytacz iskier (jeżeli jest na wyposażeniu)
- J. Sterowanie przepustnicą / odcinanie paliwa / dźwignia TransportGuard™
- K. Sterowanie kolektorem ssącym
- L. Kratka wlotu powietrza
- M. Wylącznik zapłonu (jeżeli jest na wyposażeniu)
- N. Przekładnia redukcyjna (jeżeli jest na wyposażeniu)

W niektórych silnikach i wyposażeniu zastosowano układy sterowania zdalnego. Położenie i sposób obsługi elementów zdalnego sterowania opisano w instrukcji wyposażenia.

Symbole sterowania i ich znaczenia — silnik

Prędkość silnika — SZYBKO	Prędkość silnika — WOLNO
Prędkość silnika — ZATRZYMANIE	WL.–WYŁ.
Zapłon silnika Ssanie ZAMKNIĘTE	Zapłon silnika Ssanie OTWARTE



Korek wlewu paliwa
Zawór odcinający paliwo –
OTWARTY



Zawór odcinający paliwo –
ZAMKNIĘTY

Montaż

Konwersja sterowania przepustnicą

Standardowy silnik ma ręczne sterowanie przepustnicą. Aby korzystać z ręcznego sterowania przepustnicą, zamocować zdalne sterowanie przepustnicą lub przekonwertować sterowanie na prędkość stałą. W tym celu należy wykonać poniższe instrukcje.

UWAGA: Prędkość silnika musi być prawidłowa, zgodna ze specyfikacjami wydajności producenta sprzętu. Aby uzyskać pomoc, należy skontaktować się z autoryzowanym sprzedawcą Briggs & Stratton.

Ręczne sterowanie przepustnicą

1. Ustawić sterowanie przepustnicą / dźwignię TransportGuard® (A, rys. 4) w położeniu WYŁĄCZONY.
2. Zdemontować sprężynę (S, rys. 4).

Zdalne sterowanie przepustnicą za pomocą przewodu spletanego

Zdalne sterowanie przepustnicą za pomocą przewodu spletanego można zainstalować w jednym z dwóch kierunków: **kierunek do głowicy cylindra** lub **kierunek do przodu**.

Kierunek do głowicy cylindra

1. Ustawić sterowanie przepustnicą/dźwignię TransportGuard™ (A, rysunek 5) w położeniu WYŁĄCZONY.
2. Użyć klucza 10 mm do poluzowania nakrętki (P, rysunek 5) o ½ obrotu na sterowaniu przepustnicą/dźwigni TransportGuard® (A).
3. Przytrzymać nakrętkę mocującą kabla (J, rysunek 6) kluczem 10 mm i poluzować śrubę (K).
4. Zamocować przewód (L, rysunek 6), wprowadzając go przez otwór w nakrętkę mocowania przewodu (J) i dokręcając śrubę (K). Upewnić się, że przewód (L) nie wystaje na ponad ½ cala (12,7 mm) za otwór.
5. Poluzować śrubę (I, rysunek 6). Zabezpieczyć tuleję przewodu (N) pod zaciskiem przewodu (M) i dokręcić śrubę (I).
6. Sprawdzić działanie zdalnego sterowania przepustnicą. Przesunąć 2–3 razy zdalne sterowanie przepustnicą od położenia wolnego do szybkiego. Upewnić się, że zdalne sterowanie przepustnicą i przewód (L, rysunek 6) swobodnie się poruszają. Wyregulować nakrętkę (P, rysunek 7) zgodnie z potrzebami.

Kierunek do przodu

1. Przesunąć sterowanie przepustnicą/dźwignię TransportGuard™
 - a. **Modele silników 10V000 i 12V000:** Ustawić sterowanie przepustnicą/dźwignię TransportGuard™ (A, rys. 8) w położeniu SZYBKO.
 - b. **Modele silników 25V000:** Ustawić sterowanie przepustnicą/dźwignię TransportGuard™ (A, rys. 8) w położeniu WYŁĄCZONY.
2. Użyć klucza 10 mm do poluzowania nakrętki (P, rys. 7) o ½ obrotu na sterowaniu przepustnicą/dźwigni TransportGuard® (A).
3. Przytrzymać nakrętkę mocującą kabla (J, rys. 8) kluczem 10 mm i poluzować śrubę.
4. Zamocować przewód (L, rys. 8), wprowadzając go przez otwór w nakrętkę mocowania przewodu (J) i dokręcając śrubę (K). Upewnić się, że przewód (L) nie wystaje na ponad ½ cala (12,7 mm) za otwór.
5. Poluzować śrubę (I, rys. 8). Zabezpieczyć tuleję przewodu (N) pod przewodem (M) i dokręcić śrubę (I).
6. Sprawdzić działanie zdalnego sterowania przepustnicą. Przesunąć 2–3 razy zdalne sterowanie przepustnicą od położenia wolnego do szybkiego. Upewnić się, że zdalne sterowanie przepustnicą i przewód (L, rys. 8) swobodnie się poruszają. Wyregulować nakrętkę (P, rys. 7) zgodnie z potrzebami.

Zdalne sterowanie przepustnicą za pomocą przewodu pełnego

Zdalne sterowanie przepustnicą za pomocą przewodu pełnego można zainstalować w jednym z czterech kierunków: **kierunek do głowicy cylindra**, **kierunek do przodu**, **kierunek w lewo** lub **kierunek w prawo**.

Kierunek do głowicy cylindra

1. Ustawić sterowanie przepustnicą / dźwignię TransportGuard® (A, rys. 9) w położeniu WYŁĄCZONY.
2. Zdemontować sprężynę (S, rys. 9).
3. Ustawić sterowanie przepustnicą / dźwignię TransportGuard® (A, rys. 9) w położeniu SZYBKO.

4. Użyć klucza 10 mm do poluzowania nakrętki (P, rys. 4) o ½ obrotu na sterowaniu przepustnicą / dźwigni TransportGuard® (A).
5. Zamontować złącze Z linki (Q, rys. 9) w dowolnym małym otworze w dźwigni kątowej (R).
6. Poluzować śrubę (I, rys. 9). Zabezpieczyć tuleję przewodu (N) pod zaciskiem przewodu (M) i dokręcić śrubę (I).
7. Sprawdzić działanie zdalnego sterowania przepustnicą. Przesunąć 2–3 razy zdalne sterowanie przepustnicą od położenia wolnego do szybkiego. Upewnić się, że zdalne sterowanie przepustnicą i przewód (L, rys. 9) swobodnie się poruszają. Wyregulować nakrętkę (P, rys. 4) zgodnie z potrzebami.

Kierunek do przodu

1. Ustawić sterowanie przepustnicą/dźwignię TransportGuard® (A, rys. 10) w położeniu WYŁĄCZONY.
2. Zdemontować sprężynę (S, rys. 10).
3. Ustawić sterowanie przepustnicą / dźwignię TransportGuard® (A, rys. 10) w położeniu SZYBKO.
4. Użyć klucza 10 mm do poluzowania nakrętki (P, rys. 4) o ½ obrotu na sterowaniu przepustnicą / dźwigni TransportGuard® (A).
5. Zamontować złącze Z linki (Q, rys. 10) w jednym z dwóch małych otworów w dźwigni kątowej (R).
6. Poluzować śrubę (I, rys. 10). Zabezpieczyć tuleję przewodu (N) pod przewodem (M) i dokręcić śrubę (I).
7. Sprawdzić działanie zdalnego sterowania przepustnicą. Przesunąć 2–3 razy zdalne sterowanie przepustnicą od położenia wolnego do szybkiego. Upewnić się, że zdalne sterowanie przepustnicą i przewód (L, rys. 10) swobodnie się poruszają. Wyregulować nakrętkę (P, rys. 4) zgodnie z potrzebami.

Kierunek w lewo

1. Ustawić sterowanie przepustnicą/dźwignię TransportGuard® (A, rysunek 11) w położeniu WYŁĄCZONY.
2. Zdemontować sprężynę (S, rysunek 4).
3. Ustawić sterowanie przepustnicą/dźwignię TransportGuard® (A, rysunek 11) w położeniu SZYBKO.
4. Użyć klucza 10 mm do poluzowania nakrętki (P, rysunek 4) o ½ obrotu na sterowaniu przepustnicą/dźwigni TransportGuard® (A, rysunek 11).
5. Zdjąć gałkę manetki przepustnicy (W, rysunek 11), aby odsłonić niewielki otwór (S).
6. Zamontować złącze Z linki (L, rysunek 11) w małym otworze (S) w manetce przepustnicy (A).
7. Poluzować śrubę (I, rysunek 11). Zabezpieczyć tuleję przewodu (N) pod przewodem (M) i dokręcić śrubę (I).
8. Sprawdzić działanie zdalnego sterowania przepustnicą. Przesunąć 2–3 razy zdalne sterowanie przepustnicą od położenia wolnego do szybkiego. Upewnić się, że zdalne sterowanie przepustnicą i przewód (L, rysunek 11) swobodnie się poruszają. Wyregulować nakrętkę (P, rysunek 4) zgodnie z potrzebami.

Kierunek w prawo

Aby zamocować zdalne sterowanie przepustnicą z prawej strony, wymagany jest uchwyt mocowania przewodu (U, rys. 12). Numer części można znaleźć w punkcie **Specyfikacje i części zamienne**. Aby zakupić uchwyt mocowania przewodu, należy skontaktować się z autoryzowanym sprzedawcą firmy Briggs & Stratton.

1. Ustawić sterowanie przepustnicą/dźwignię TransportGuard® (A, rys. 12) w położeniu WYŁĄCZONY.
2. Zdemontować sprężynę (S, rys. 4).
3. Zdjąć gałkę manetki przepustnicy (W, rys. 12), aby odsłonić niewielki otwór (S).
4. Ustawić sterowanie przepustnicą / dźwignię TransportGuard® (A, rys. 12) w położeniu SZYBKO.
5. Użyć klucza 10 mm do poluzowania nakrętki (P, rys. 4) o ½ obrotu na sterowaniu przepustnicą / dźwigni TransportGuard® (A, 12).
6. Zamontować złącze Z linki (L, rys. 12) w małym otworze (S) w manetce przepustnicy (A).
7. Usunąć śrubę (T, rys. 12). Zainstalować uchwyt mocowania przewodu (U) jak pokazano. Przymocować uchwyt mocowania przewodu (U) śrubą (T). Dokręcić śrubę (T) momentem 30 lb-in (3,4 Nm). Patrz sekcja **Specyfikacje i części zamienne**.
8. Poluzować śrubę (I, rys. 12). Zabezpieczyć tuleję przewodu (N) pod przewodem (M) i dokręcić śrubę (I).
9. Sprawdzić działanie zdalnego sterowania przepustnicą. Przesunąć 2–3 razy zdalne sterowanie przepustnicą od położenia wolnego do szybkiego. Upewnić się, że zdalne sterowanie przepustnicą i przewód (L, rys. 12) swobodnie się poruszają. Wyregulować nakrętkę (P, rys. 4) zgodnie z potrzebami.

Stała prędkość silnika (bez przewodu sterowania przepustnicą)

Po konwersji na stałą prędkość silnika nie ma przewodu sterowania przepustnicą oraz opcji wyboru prędkości. Dostępna jest tylko szybka prędkość silnika (FAST).

1. Ustawić sterowanie przepustnicą / dźwignię TransportGuard® (A, rys. 13) w położeniu WYŁĄCZONY.
2. Zdemontować sprężynę (S, rys. 13).
3. Ustawić sterowanie przepustnicą / dźwignię TransportGuard® (A, rys. 13) w położeniu SZYBKO.
4. Upewnić się, że śruba ustalacza przewodu (V, rys. 13) jest wyrównana z otworem w uchwycie. Dokręcić śrubę (V) momentem 25 funt-cali (2,8 Nm).
5. Usunąć linkę sterowania (H, rys. 13).

UWAGA: Sterowanie przepustnicą / dźwignia TransportGuard® będzie mieć teraz tylko dwa położenia: Położenie STOP/WYŁĄCZONY i PRACA.

6. Zainstalować nową etykietę WŁ./WYŁ. TransportGuard® (O, rys. 14) nad istniejącą etykietą kontroli prędkości na panelu ochronnym (F).

Obsługa



OSTRZEŻENIE
Paliwa są łatwopalne, a ich opary mogą wybuchnąć. Pożar lub wybuch mogą spowodować poważne poparzenia lub doprowadzić do śmierci.

W przypadku wycucia gazu

- Nie uruchamiać silnika.
- Nie włączać przełączników elektrycznych.
- Nie używać telefonu w pobliżu miejsca wycucia gazu.
- Ewakuuj wszystkie istoty żywe z miejsca wycieku.
- Skontaktuj się ze strażą pożarną.

Podczas obsługi urządzenia

- Silnika ani urządzenia nie należy przechylać pod kątem, gdyż może to spowodować rozlanie paliwa.

Po zmianie lokalizacji urządzenia

- Upewnić się, że zbiornik paliwa jest PUSTY lub że zawór odcinający paliwo, jeśli jest na wyposażeniu, znajduje się w pozycji ZAMKNIĘTEJ.

Sprawdzić poziom oleju w silniku

Przed sprawdzeniem lub dołaniem oleju

- Upewnić się, że silnik jest wypoziomowany.
- Oczyszczyć z wszelkich zanieczyszczeń obszar oleju.
- Ilość oleju podano w punkcie **Dane techniczne**.

UWAGA

Firma Briggs & Stratton dostarcza silnik bez oleju. Producenci lub sprzedawcy wyposażenia mogli wlać olej do silnika. Przed pierwszym uruchomieniem silnika upewnić się, że poziom oleju jest prawidłowy. Dolać olej zgodnie z instrukcjami zawartymi w tej instrukcji. W przypadku uruchomienia silnika bez oleju nastąpi uszkodzenie i silnik nie będzie naprawiany w ramach gwarancji.

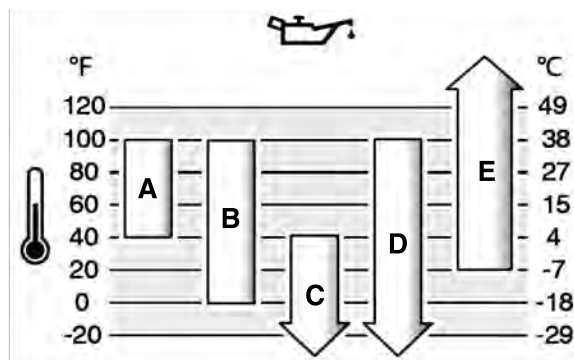
1. Wyjąć wskaźnik prętotwy (A, rys. 15) i wytrzeć ściereczką.
2. Zamocować i dokręcić wskaźnik prętotwy (A, rys. 15).
3. Wyjąć wskaźnik i sprawdzić poziom oleju. Upewnić się, że poziom oleju sięga górnego znacznika na wskaźniku (B, rys. 15).
4. W silniku są dwa wlewy paliwa (C, G, rys. 16). Jeśli poziom oleju silnikowego jest niski, należy go powoli uzupełnić (C, G). Nie należy uzupełniać poziomu zbyt dużą ilością oleju. Po uzupełnieniu oleju należy poczekać jedną minutę, a następnie ponownie sprawdzić poziom oleju. Upewnić się, że poziom oleju jest prawidłowy.
5. Zamocować i dokręcić wskaźnik prętotwy (A, rys. 15).

Zalecenia dotyczące oleju

Pojemność miski olejowej: Informacje na ten temat można znaleźć w sekcji **Dane techniczne**.

Aby osiągnąć najlepszą wydajność, zaleca się stosowanie olejów z certyfikatem gwarancji firmy Briggs & Stratton®. Dopuszczalne jest stosowanie innych wysokiej jakości olejów detergentowych klas SF, SG, SH, SJ lub wyższych. Nie używać dodatków specjalnych.

Najlepszą lepkość dla zakresu temperatur zewnętrznych należy wybrać przy użyciu wykresu. W większości urządzeń elektrycznych użytkowanych na zewnątrz silniki działają dobrze z olejem syntetycznym 5W-30. W przypadku urządzeń użytkowanych w wysokich temperaturach najlepszą ochronę zapewnia olej syntetyczny Vanguard® 15W-50.



A	SAE 30 – Jeśli olej SAE 30 zostanie użyty w temperaturze poniżej 40°F (4°C), wystąpią trudności z uruchomieniem silnika.
B	10W-30 – W temperaturach powyżej 80°F (27°C) stosowanie oleju 10W-30 może spowodować zwiększone zużycie oleju. Często sprawdzaj poziom oleju.
C	5W-30
D	Syntetyczny 5W-30
E	Vanguard® syntetyczny 15W-50

System ochrony przed niskim poziomem oleju (jeżeli jest na wyposażeniu)

Czujnik niskiego poziomu oleju jest zainstalowany w niektórych silnikach. Jeśli poziom oleju jest niski, czujnik wyświetli lampkę ostrzegawczą lub zatrzyma silnik. Zatrzymać silnik i wykonać poniższe czynności przed uruchomieniem silnika.

- Upewnić się, że silnik jest wypoziomowany.
- Wykonać kontrolę oleju. Patrz rozdział **Kontrola poziomu oleju**.
- Jeśli poziom oleju jest niski, dodać odpowiednią ilość oleju. Uruchomić silnik i upewnić się, że lampka kontrolna (jeśli jest w wyposażeniu) nie zapala się.
- Jeśli poziom oleju nie jest niski, nie uruchamiać silnika. Skontaktować się z autoryzowanym dealerm serwisowym Briggs & Stratton, aby naprawić problem z olejem.

Zalecenia dotyczące paliwa

Paliwo musi spełniać następujące wymagania:

- Czyste, świeże, bezołowiowe.
- Minimalna liczba oktanowa 87/87 AKI (91 RON). Zastosowanie na dużej wysokości, patrz poniżej.
- Dozwolona jest benzyna z maksymalnie 10% zawartością etanolu (gazohol).

UWAGA

Nie stosować niezatwierdzonych benzyn, takich jak E15 czy E85. Nie mieszać oleju z benzyną ani nie modyfikować silnika w celu dostosowania go do pracy na alternatywnych paliwach. Użycie niezatwierdzonych paliw może doprowadzić do nieobjętych gwarancją uszkodzeń podzespołów silnika.

Aby uchronić układ paliwowy od tworzenia się żywic i przed korozją, dodać do paliwa mieszkankę bezalkoholowego stabilizatora paliwa i etanolu. Patrz rozdział **Przechowywanie**. Każde paliwo jest inne. Jeśli wystąpią problemy z rozruchem lub wydajnością, należy zmienić dostawcę lub gatunek paliwa. Jest to silnik benzynowy. System kontroli emisji spalin do silników gaźnikowych to EM (modyfikacje silników). Systemy kontroli emisji spalin do silników z elektronicznym wtryskiem paliwa to ECM (moduł sterowania silnikiem), MFI (wielopunktowy wtrysk paliwa), TBI (wtrysk paliwa do korpusu przepustnicy) oraz O2S (czujnik tlenu), jeżeli jest stosowany.

Duże wysokości

Na wysokościach powyżej 5000 stóp (1524 metrów), dopuszczalna jest benzyna co najmniej 85 oktanowa/85 AKI (89 RON).

W przypadku silników gaźnikowych, aby zachować ich sprawność, wymagana jest regulacja dla dużych wysokości. Praca bez takiej regulacji spowoduje obniżenie wydajności, zwiększenie zużycia paliwa i zwiększy emisję spalin. Informacje na temat regulacji dla dużych wysokości można uzyskać u Autoryzowanego dealera serwisowego firmy Briggs & Stratton. Nie zaleca się eksploatacji silnika z regulacją dla dużych wysokości na wysokościach poniżej 2500 stóp (762 metrów).

W przypadku silników z elektronicznym wtryskiem paliwa (EFI) nie jest potrzebna regulacja na dużych wysokościach.

Uzupełnianie paliwa



OSTRZEŻENIE

Paliwo i jego opary są łatwopalne i wybuchowe. Pożar lub wybuch mogą spowodować poważne poparzenia lub doprowadzić do śmierci.

Przy dolewaniu paliwa należy

- Wyłączyć silnik. Przed zdjęciem korka wlewu odczekaj co najmniej dwie (2) minuty, aby upewnić się, że silnik jest chłodny.
 - Napełnić zbiornik paliwa na zewnątrz lub w miejscu o dobrym przepływie powietrza.
 - Nie wlewać zbyt dużo paliwa do zbiornika. Aby zapewnić rozprężanie paliwa, nie należy napełniać zbiornika paliwa powyżej dolnej części szyjki wlewu paliwa.
 - Nie wolno trzymać paliwa w pobliżu źródeł iskier, nieostłoniętych płomieni, płomieni pilota, źródła ciepła lub innych źródeł zapłonu.
 - Często sprawdzać przewody paliwowe, zbiornik paliwa, korek wlewu paliwa i połączenia pod kątem pęknięć lub wycieków. Wymienić uszkodzone części.
 - Jeśli paliwo rozleje się, należy poczekać, aż odparuje, przed włączeniem silnika.
1. Obszar wlewu paliwa oczyścić z wszelkich zanieczyszczeń i osadów. Odkręcić korek wlewu paliwa.
 2. Napełnić zbiornik paliwa (A, rysunek 17) paliwem. Ponieważ paliwo się rozszerza, nie napełniać go powyżej dna szyjki zbiornika paliwa (B).
 3. Założyć korek wlewu paliwa.

Uruchamianie silnika



OSTRZEŻENIE

ZAGROŻENIE TRUJĄCYM GAZEM. Gazy wylotowe z silnika zawierają tlenek węgla, trujący gaz, który w ciągu kilku minut może spowodować śmiertelne zatrucie. Nawet jeśli użytkownik nie wyczuwa gazów wylotowych, może być narażony na działanie tlenu węgla. W przypadku odczuwania mdłości, zawrotów głowy lub osłabienia w trakcie pracy z tym urządzeniem należy je NATYCHMIAST wyłączyć i wyjść na świeże powietrze. Skontaktować się z lekarzem. Mogło dojść do zatrucia tlenkiem węgla.

- Gazowy tlenek węgla może gromadzić się w zajmowanych miejscach. Aby zmniejszyć ryzyko emisji tlenu węgla, należy używać tego produktu TYLKO na zewnątrz, z dala od okien, drzwi i otworów wentylacyjnych.
- Zamontować urządzenia alarmujące o obecności tlenu węgla z zasilaniem bateryjnym lub zasilane prądem sieciowym z baterią podtrzymującą, zgodnie z instrukcjami producenta. Alarmy dymowe nie wykrywają obecności tlenu węgla.
- NIE WOLNO uruchamiać urządzenia w domu, garażu, piwnicy, przestrzeni podpodłogowej, szopach i innych zamkniętych pomieszczeniach, nawet jeśli włączone są wiatraki lub otwarte drzwi i okna. Po działaniu tego produktu tlenek węgla może szybko zebrać się w tych przestrzeniach i pozostać przez wiele godzin.
- ZAWSZE umieszczać ten produkt z wiatrem i kierując wylot spalin silnika w kierunku przeciwnym od miejsca, w którym stoją ludzie.



OSTRZEŻENIE

Paliwo i jego opary są łatwopalne i wybuchowe. Pożar lub wybuch mogą spowodować poważne poparzenia lub doprowadzić do śmierci.

Uruchamianie silnika

- Sprawdzić, czy świeca zapłonowa, tłumik, korek wlewu i filtr powietrza (jeśli jest na wyposażeniu) są odpowiednio zainstalowane.
- Nie należy uruchamiać silnika, gdy świeca zapłonowa jest wyjęta.
- Jeśli silnik jest zalany, ustawić ssanie (jeśli jest w wyposażeniu) w położeniu OTWARTE lub PRACA. Przesunąć przepustnicę (jeśli jest w wyposażeniu) do pozycji SZYBKIEJ i obracać korbą do momentu uruchomienia silnika.
- Jeśli w pobliżu występuje wyciek gazu naturalnego lub LP, nie należy uruchamiać silnika.
- Opary są łatwopalne, dlatego nie należy używać płynów rozruchowych pod ciśnieniem.

OSTRZEŻENIE

Części obrotowe mogą wejść w styczność lub chwycić ręce, stopy, włosy, ubranie lub wyposażenie. Może to prowadzić do powodującej uraz psychiczny amputacji lub okaleczenia.

- Obsługiwać sprzęt z prawidłowo zainstalowanymi osłonami.
- Ręce i stopy muszą znajdować się z dala od części wirujących.
- Zdjąć biżuterię i upewnić się, że długie włosy są z dala od wszystkich obracających się części.
- Nie nosić luźnych ubrań ani przedmiotów, które mogłyby zostać pochwycone.



OSTRZEŻENIE

Szybkie wciąganie linki rozrusznika (odbicie) bardzo mocno szarpnie rękę w kierunku silnika. Może to spowodować złamania kości, pęknięcia, zranienia lub zwichnięcia.

- Aby zapobiec odbiciu podczas uruchamiania silnika, powoli pociągać linkę rozrusznika, aż do oporu, a następnie pociągnąć szybko.
- Przed uruchomieniem silnika należy odłączyć lub usunąć wszystkie urządzenia zewnętrzne i obciążenia silnika.
- Upewnić się, że elementy wyposażenia sprzężone bezpośrednio, takie jak, ale nie wyłącznie, łopaty, wirniki, koła pasowe i koła łańcuchowe, są prawidłowo zamocowane.

UWAGA: Twój sprzęt może mieć zdalne sterowanie. Położenie i sposób obsługi elementów zdalnego sterowania opisano w instrukcji wyposażenia.

1. Sprawdzić poziom oleju w silniku. Patrz część **Kontrola poziomu oleju**.
2. Upewnić się, że elementy sterowania napędem są odłączone (jeśli są zamontowane).
3. Przesunąć dźwignię sterowania przepustnicą/dźwignię TransportGuard® (A, rysunek 18), jeżeli jest na wyposażeniu, do położenia SZYBKO lub PRACA. Pracować silnikiem z dźwignią sterowania przepustnicą w położeniu SZYBKO lub PRACA.
4. Przesunąć manetkę ssania (B, rysunek 18) do położenia ZAMKNIĘCIA.
Ssanie jest zwykle niepotrzebne podczas uruchamiania ciepłego silnika.
5. **Rozrusznik linkowy samopowrotny, jeśli znajduje się na wyposażeniu:** Mocno przytrzymać uchwyt linki rozrusznika (C, rysunek 18). Powoli pociągnąć linkę rozrusznika aż do wycucia oporu i wtedy pociągnąć energicznie.



OSTRZEŻENIE

Szybkie wciąganie linki rozrusznika (odbicie) bardzo mocno szarpnie rękę w kierunku silnika. Może to spowodować złamania kości, pęknięcia, zranienia lub zwichnięcia.

- Aby zapobiec odbiciu podczas uruchamiania silnika, powoli pociągać linkę rozrusznika, aż do oporu, a następnie pociągnąć szybko.
- Przed uruchomieniem silnika należy odłączyć lub usunąć wszystkie urządzenia zewnętrzne i obciążenia silnika.
- Upewnić się, że elementy wyposażenia sprzężone bezpośrednio, takie jak, ale nie wyłącznie, łopaty, wirniki, koła pasowe i koła łańcuchowe, są prawidłowo zamocowane.

6. **Rozrusznik elektryczny, jeżeli jest na wyposażeniu:** Obrócić wyłącznik zapłonu (D, rysunek 18) w położenie START.

UWAGA

Aby przedłużyć żywotność rozrusznika, należy stosować krótkie cykle rozruchu (maks. pięć sekund). Pomiędzy cyklami rozruchu zawsze odczekać jedną minutę.

7. W miarę rozgrzewania się silnika przesunąć manetkę ssania (B, rysunek 18) do położenia OTWARCIA.

Jeśli po 2–3 próbach silnik nie uruchomi się, należy się skontaktować z lokalnym dealerm, odwiedzić stronę internetową pod adresem vanguardpower.com lub zadzwonić pod numer 1-800-999-9333 (tylko w USA).

Wyłączanie silnika



OSTRZEŻENIE

Paliwo i jego opary są łatwopalne i wybuchowe. Pożar lub wybuch mogą spowodować poważne poparzenia lub doprowadzić do śmierci.

- Nie włączać ssania gaźnika (jeżeli jest na wyposażeniu) aby zatrzymać silnik.

Sterowanie przepustnicą / dźwignia TransportGuard®: Ustawić sterowanie przepustnicą / dźwignię TransportGuard® (A, rys. 19) w położeniu WYŁĄCZONY lub STOP.

UWAGA: Kiedy sterowanie przepustnicą / dźwignia TransportGuard® (A, rys. 19) jest w położeniu WYŁĄCZONY lub STOP, zawór paliwa jest w położeniu WYŁĄCZONY. Zawsze przestawiać sterowanie przepustnicą / dźwignię TransportGuard® w położeniu WYŁĄCZONY lub STOP podczas transportowania sprzętu.

UWAGA: Kluczyk (D, rys. 19) nie zatrzymuje silnika. Kluczyk służy WYŁĄCZNIĘ do uruchamiania silnika. Zawsze wyjąć kluczyk (D) i przechowywać go w miejscu niedostępnym dla dzieci.

Konserwacja

Informacje o konserwacji



OSTRZEŻENIE
Paliwo i jego opary są łatwopalne i wybuchowe. Pożar lub wybuch mogą spowodować poważne poparzenia lub doprowadzić do śmierci.

Podczas konserwacji, jeśli konieczne jest przechylenie urządzenia, należy upewnić się, że zbiornik paliwa, jeżeli jest zamontowany na silniku, jest pusty i że strona świecy zapłonowej jest skierowana do góry. Jeśli zbiornik paliwa nie jest pusty, może nastąpić wyciek, który może spowodować pożar lub wybuch. Jeśli silnik zostanie przechyleny w innym kierunku, nie będzie można go łatwo uruchomić z powodu zanieczyszczenia olejem lub paliwem filtra powietrza lub świecy zapłonowej.



OSTRZEŻENIE
Przypadkowa iskra silnika może spowodować porażenie prądem, pożar lub wybuch i może doprowadzić do splątania, traumatycznej amputacji lub zranienia.

Przed dokonaniem korekt lub napraw:

- Odłączyć przewody wszystkich świec zapłonowych i trzymać je z dala od świec.
- Odłączyć przewód akumulatora od ujemnego zacisku akumulatora (tylko silniki z zapłonem elektrycznym).
- Używać wyłącznie odpowiednich narzędzi.

Podczas sprawdzania iskry:

- Użyć atestowanego testera świec zapłonowych.
- Nie należy sprawdzać iskry przy wyjętej świecy zapłonowej.



OSTRZEŻENIE
Należy stosować takie same części zamienne i instalować je w tym samym położeniu, co części oryginalne. Inne części mogą spowodować uszkodzenie lub obrażenia.

UWAGA

W celu zapewnienia prawidłowego działania silnika wszystkie elementy wykorzystane do jego wytworzenia muszą pozostawać na swoim miejscu.

Zalecamy skontaktowanie się z autoryzowanym dealerem serwisowym Briggs & Stratton w kwestiach konserwacji i napraw silnika oraz jego części.

Kontrola emisji

Konserwację, wymianę lub naprawę urządzeń i układów kontroli emisji może wykonywać wykwalifikowany warsztat naprawy silników niedrogowych lub serwisant. Aby jednak skorzystać z bezpłatnej usługi kontroli emisji, pracę tę musi wykonać autoryzowany dealer fabryczny. Zobacz oświadczenia w sprawie ograniczenia emisji.

Harmonogram konserwacji

Po pierwszych 5 godzinach pracy
<ul style="list-style-type: none">• Wymiana oleju.
Co 8 godzin lub codziennie
<ul style="list-style-type: none">• Sprawdzić poziom oleju w silniku.• Czyszczenie obszaru dookoła tłumika i elementów sterowania.• Wyczyścić kratkę wlotu powietrza.
Co 100 godzin lub raz w roku
<ul style="list-style-type: none">• Serwisować układ wydechowy.• Wymienić olej w przekładni redukcyjnej (jeżeli jest na wyposażeniu).
Co 200 godzin lub raz w roku
<ul style="list-style-type: none">• Wymienić olej w silniku.

- Czyścić filtr powietrza¹.

Co 600 godzin lub co 3 lata

- Wymienić filtr powietrza.

Raz do roku

- Wymienić świecę zapłonową.
- Serwisować układ paliwowy.
- Serwisować układ chłodzenia powietrzem¹.
- Sprawdzić luz zaworowy².

¹ Czyścić częściej w warunkach dużego zapylenia lub przy obecności zanieczyszczeń w powietrzu.

² Nie jest wymagane, jeśli nie stwierdzono problemów silnikiem.

Gaźnik i prędkość silnika

Nie manipulować przy gaźniku, sprężynie regulatora, łącznikach ani innych częściach, aby zmienić prędkość silnika. Jeśli wymagane są regulacje, skontaktować się z autoryzowanym punktem serwisowym Briggs & Stratton.

UWAGA

Prędkość maksymalna dla silnika zainstalowanego w danym urządzeniu jest określona przez producenta wyposażenia. Nie wolno przekraczać tej prędkości. W przypadku braku pewności, jaka jest maksymalna prędkość wyposażenia lub jakie jest ustawienie fabryczne prędkości silnika, skontaktować się z autoryzowanym punktem serwisowym Briggs & Stratton, aby uzyskać pomoc. Dla bezpiecznego i prawidłowego działania wyposażenia, prędkość obrotowa silnika powinna być regulowana wyłącznie przez wykwalifikowanego serwisanta.

Serwisowanie świecy zapłonowej

Sprawdzić szczelność świecy (A, rys. 20) za pomocą szczelnimierza (B). Jeżeli konieczne, ponownie ustawić szczelność świecy. Zamontować i przykręcić świecę zapłonową z prawidłowym momentem obrotowym. Dane techniczne dotyczące odstępu i momentu obrotowego znajdują się w rozdziale **Dane techniczne**.

Serwisowanie układu wydechowego i chłodzenia



OSTRZEŻENIE
Podczas pracy silnik i tłumik nagrzewają się. Dotknięcie gorącego silnika może spowodować oparzenia termiczne.

Łatwopalne pozostałości, takie jak liście, trawa i inne zanieczyszczenia mogą się łatwo zapalić.

- Przed dotknięciem silnika lub tłumika zatrzymać silnik i odczekać dwie (2) minuty. Upewnić się, że silnik i tłumik są bezpieczne w dotyku.
- Usunąć zanieczyszczenia z tłumika i silnika.

Używanie lub obsługiwanie silnika na terenie zalesionym, zakrzewionym lub trawiastym, jeśli układ wydechowy silnika nie jest wyposażony w sprawny iskrochron, stanowi naruszenie przepisu 4442 kalifornijskiego kodeksu California Public Resource Code. Inne stany lub federalne jurysdykcje mogą mieć podobne prawa; odniesienie Federalna regulacja 36 CFR część 261.52. Skontaktować się z producentem oryginalnego sprzętu, sprzedawcą detalicznym lub dealerem, aby uzyskać iskrochron przeznaczony do układu wydechowego, zainstalowanego na tym silniku.

Jest to silnik chłodzony powietrzem. Brud lub zanieczyszczenia mogą uniemożliwić przepływ powietrza i spowodować przegrzanie silnika. Powoduje to niezadowalające osiągi silnika i skraca jego żywotność. W żeberkach chłodzących cylindra mogą zbierać się zanieczyszczenia, których nie można usunąć bez częściowego demontażu silnika. Należy upewnić się, że Autoryzowany dealer serwisowy Briggs & Stratton sprawdził i oczyścił układ chłodzenia powietrza. Patrz rozdział **Harmonogram konserwacji**.

1. Upewnić się, że wokół tłumika i za nim nie ma materiałów palnych.
2. Za pomocą szczotki lub suchej szmatki należy usunąć wszystkie niepożądane zanieczyszczenia z okolic pokrywy obudowy dmuchawy, tłumika i cylindra. NIE WOLNO czyścić silnika wodą.
3. Upewnić się, że ciągną, sprężyny i elementy sterujące są czyste.
4. Skontrolować stan tłumika pod kątem pęknięć, korozji bądź innych uszkodzeń.
5. Zdemonstrować chwytacz iskier, jeśli jest na wyposażeniu, po czym skontrolować go pod kątem uszkodzeń oraz obecności nagaru. Upewnić się, że przed uruchomieniem urządzenia wyczyszczono lub zamontowano części zamienne.
6. Upewnić się, że żebra chłodnicy oleju, jeśli są na wyposażeniu, są czyste.

Wymiana oleju silnikowego



OSTRZEŻENIE

Paliwo i jego opary są łatwopalne i wybuchowe. Pożar lub wybuch mogą spowodować poważne poparzenia lub doprowadzić do śmierci.

Podczas pracy silnika i tłumik nagrzewają się. Dotknięcie gorącego silnika może spowodować oparzenia termiczne.

- W przypadku spuszczenia oleju z górnej rurki wlewu oleju zbiornik paliwa musi być pusty. Jeśli nie jest pusty, może dojść do wycieku paliwa, co może doprowadzić do pożaru lub wybuchu.
- Przed dotknięciem silnika lub tłumika zatrzymać silnik i odczekać dwie (2) minuty. Upewnić się, że silnik i tłumik są bezpieczne w dotyku.

Zużyty olej stanowi zagrożenie dla środowiska i powinien być właściwie utylizowany. Nie wlewać go do odpadów domowych. Informacje dotyczące bezpiecznego usuwania lub miejsc utylizacji oleju można uzyskać od władz lokalnych, w centrach serwisowych lub u dealera.

W przypadku modeli wykorzystujących technologię **Just Check & Add™** wymiana oleju nie jest wymagana. Jeżeli konieczna jest wymiana oleju, należy postępować zgodnie z poniższą procedurą.

Usuwanie oleju

1. Gdy silnik jest wyłączony, ale wciąż jeszcze ciepły, odłączyć przewód lub przewody świecy zapłonowej (D, rysunek 21) i odsunąć go od świecy lub świec (E).
2. Wyjąć wskaźnik prętotowy (A, rysunek 22).
3. Silnik ma dwa korki spustu oleju (H, F, rysunek 23). Wyjąć korki spustu oleju (H, F). Spuścić olej do atestowanego pojemnika.
4. Zamocować i dokręcić korek spustowy oleju (H, F, rysunek 23).

Dodawanie oleju

- Upewnić się, że silnik jest wypoziomowany.
- Usunąć wszelkie zabrudzenia z okolic wlewu oleju.
- Informacje na temat pojemności oleju można znaleźć w sekcji **Dane techniczne**.

1. Wyjąć miarkę poziomu oleju. Patrz rozdział **Usuwanie oleju**.
2. Powoli wlać olej przez jeden z otworów do napełniania (C, G, rysunek 24). Nie należy uzupełniać poziomu zbyt dużą ilością oleju.
3. Po nalaniu oleju odczekać jedną minutę i sprawdzić poziom oleju.
4. Włożyć miarkę poziomu oleju.
5. Wyjąć wskaźnik i sprawdzić poziom oleju. Poziom oleju jest prawidłowy, jeśli sięga górnego znacznika na wskaźniku. Patrz rozdział **Sprawdzanie poziomu oleju**.
6. Ponownie włożyć i wsunąć do oporu prętotowy wskaźnik poziomu.
7. Podłączyć przewód lub przewody świecy zapłonowej do świecy lub świec. Patrz część **Usuwanie oleju**.

Wymiana oleju do reduktora

Niektóre silniki są wyposażone w przekładnię redukcyjną. Jeżeli jest na wyposażeniu, należy wykonać poniższe czynności dla jednego z reduktorów przekładni.

Reduktor łańcuchowy 2:1

Jeśli silnik jest wyposażony w przekładnię redukcyjną 2:1 (G, rys. 25), wymiana oleju nie jest wymagana. Olej w silniku smaruje także reduktor łańcuchowy.

Reduktor ze sprzęgłem mokrym 2:1

Jeśli silnik jest wyposażony w reduktor ze sprzęgłem mokrym 2:1, należy wykonać następujące czynności:

1. Wyjąć wskaźnik prętotowy (A, rys. 26).
2. Wyjąć korek spustu (B, rys. 26) i spuścić olej do zatwierdzonego pojemnika.
3. Zamocować i dokręcić korek spustu oleju (B, rys. 26).
4. Powoli wlać olej przez otwór do napełniania (C, rys. 26). Patrz część **Dane techniczne**.
5. Zamocować wskaźnik prętotowy (A, rys. 26).
6. Wyjąć wskaźnik prętotowy (A, rys. 26) i sprawdzić poziom oleju. Poziom oleju jest prawidłowy, jeśli sięga górnego znacznika na wskaźniku (D).
7. Zamocować wskaźnik prętotowy (A, rys. 26).

Reduktor 6:1

Jeśli silnik jest wyposażony w przekładnię redukcyjną 6:1, należy wykonać następujące czynności:

1. Wyjąć korek wlewu oleju (A, rys. 27) i korek otworu do kontroli poziomu oleju (B).
2. Wyjąć korek spustu oleju (C, rys. 27) i spuścić olej do zatwierdzonego pojemnika.

3. Zamocować i dokręcić korek spustowy oleju (C, rys. 27).
4. Powoli dodać olej do przekładni redukcyjnej (80W-90) do wlewu oleju (D, rys. 27). Dodawać olej do przekładni redukcyjnej (80W-90), aż olej zacznie wydobywać się przez otwór do kontroli poziomu oleju (E).
5. Zamocować i dokręcić korek otworu do kontroli poziomu oleju (B, rys. 27).
6. Zamocować i dokręcić korek wlewu oleju (A, rys. 27).

UWAGA: W korku wlewu oleju (A, rys. 27) znajduje się otwór wentylacyjny (F); korek należy zamocować w górnej części obudowy przekładni, zgodnie z rysunkiem.

Serwisowanie filtra powietrza



OSTRZEŻENIE

Paliwa są łatwopalne, a ich opary mogą wybuchnąć. Pożar lub wybuch mogą spowodować poważne poparzenia lub doprowadzić do śmierci.

- Nie należy włączać silnika ze zdjętym zestawem do oczyszczania powietrza (jeśli znajduje się na wyposażeniu) lub filtrem powietrza (jeśli znajduje się na wyposażeniu).

UWAGA

Do czyszczenia filtra nie należy używać sprężonego powietrza lub rozpuszczalników. Sprężone powietrze może uszkodzić filtr, a rozpuszczalniki mogą spowodować jego rozpuszczenie.

Wymagania serwisowe opisano w rozdziale **Harmonogram konserwacji**.

Różne modele używają pianki lub filtra papierowego. Niektóre modele wyposażone są również w filtr wstępny, który można umyć i wykorzystać ponownie. Porównać rysunki w niniejszej instrukcji z posiadanym silnikiem i odpowiednio przeprowadzić serwisowanie.

Papierowy filtr powietrza

1. Poluzować elementy mocujące (C, rys. 28).
2. Zdjąć pokrywę (A, rys. 28) i wyjąć filtr (B).
3. Aby usunąć zanieczyszczenia, delikatnie ostukać filtr powietrza (B, rys. 28) o twardą powierzchnię. Jeśli filtr jest zabrudzony, wymienić go na nowy.
4. Zamontować filtr (B, rys. 28).
5. Zamknąć pokrywę (A, rys. 28) i zabezpieczyć elementem mocującym lub elementami mocującymi (C). Sprawdzić, czy elementy mocujące są dobrze dokręcone.

Papierowy filtr powietrza – niskoprofilowy

1. Przesunąć zaczep (A, rys. 29) w celu odblokowania pokrywy (C).
2. Wcisnąć zakładki (B, rys. 29) i zdjąć pokrywę (C).
3. Wyjąć filtr (D, rys. 29).
4. Aby usunąć zanieczyszczenia, delikatnie ostukać filtr powietrza (D, rys. 29) o twardą powierzchnię. Jeśli filtr jest zabrudzony, wymienić go na nowy.
5. Zamontować filtr (D, rys. 29).
6. Założyć pokrywę (C, rys. 29). Przesunąć zatrzask (A) do pozycji zablokowanej.

UWAGA: Sprawdzić dopasowanie uszczelki piankowej (E, rys. 29). Upewnić się, że obwodowa uszczelka piankowa jest prawidłowo osadzona w kanale (F).

Serwisowanie układu paliwowego



OSTRZEŻENIE

Paliwo i jego opary są łatwopalne i wybuchowe. Pożar lub wybuch mogą spowodować poważne poparzenia lub doprowadzić do śmierci.

- Nie wolno trzymać paliwa w pobliżu źródeł iskiei, nieosłoniętych płomieni, płomieni pilota, źródła ciepła lub innych źródeł zapłonu.
- Często sprawdzać przewody paliwowe, zbiornik paliwa, korek wlewu paliwa i połączenia pod kątem pęknięć lub wycieków. Wymienić uszkodzone części.
- Jeśli paliwo rozleje się, należy zaczekać, aż odparuje, przed włączeniem silnika.

Filtr paliwa, jeśli jest na wyposażeniu

1. Wykręcić korek wlewu paliwa (A, rysunek 30).
2. Wyjąć filtr siatkowy (B, rys. 30).
3. Zabrudzony filtr siatkowy paliwa należy wyczyścić lub wymienić. W przypadku wymiany upewnić się, że filtr wymieniany jest na oryginalny filtr zamienny.

Przechowywanie

Układ paliwowy

Patrz rysunek: 31.



OSTRZEŻENIE
Paliwo i jego opary są łatwopalne i wybuchowe. Pożar lub wybuch mogą spowodować poważne poparzenia lub doprowadzić do śmierci.

Przechowywanie paliwa

- Ponieważ lampki kontrolne lub inne źródła zapłonu mogą powodować wybuchy, należy trzymać paliwo lub sprzęt z dala od pieców, podgrzewaczy wody lub innych urządzeń wyposażonych w lampki kontrolne.

Silnik należy przechowywać w pozycji poziomej (prawidłowe położenie robocze). Napełnić zbiornik paliwa (A, rys. 31) paliwem. Aby umożliwić rozprężanie paliwa, nie należy napełniać zbiornika paliwa powyżej szyjki wlewu paliwa (B).

Przechowywanie paliwa w kanistrze przez okres przekraczający 30 dni może spowodować jego zwiertzenie. Zaleca się dodawanie stabilizatora do paliwa przechowywanego w kanistrze mieszanki bezalkoholowego stabilizatora paliwa i etanolu, aby zapobiec degradacji paliwa i utrzymać jego świeżość.

Po napełnieniu kanistra paliwem należy dodać bezalkoholowy stabilizator paliwa zgodnie z instrukcjami producenta. Jeśli do paliwa znajdującego się w silniku nie dodano stabilizatora paliwa, paliwo należy spuścić do odpowiedniego pojemnika. Uruchomić silnik na czas potrzebny do wyczerpania resztek paliwa.

Olej silnikowy

Kiedy silnik jest wciąż ciepły, wymienić olej. Patrz część **Wymiana oleju silnikowego**.

Rozwiązywanie problemów

Wsparcie

Celem uzyskania pomocy skontaktować się ze sprzedawcą, odwiedzić stronę internetową **BRIGGSandSTRATTON.COM** lub zadzwonić pod numer telefonu **1-800-444-7774** (tylko w USA).

Specyfikacje i części zamienne

Dane techniczne	Model: 10V000	Model: 12V000
Pojemność skokowa	10.313 ci (169 cm ³)	12.387 ci (203 cm ³)
Średnica cylindra	2.44 cala (62 mm)	2.677 cala (68 mm)
Skok	2.204 cala (56 mm)	56 cala (2.204 mm)
Pojemność miski olejowej	18 - 20 oz (,54 - ,59 l)	18 - 20 oz (,54 - ,59 l)
Reduktor ze sprzęgłem mokrym 2:1 – typ oleju	10W-30	10W-30
Reduktor ze sprzęgłem mokrym 2:1 – pojemność miski olejowej	10 oz (,30 l)	10 oz (,30 l)
Reduktor 6:1 – typ oleju	80W-90	80W-90
Reduktor 6:1 – pojemność miski olejowej	4 oz (12 l)	4 oz (12 l)
Szczelina świecy	.030 cala (,76 mm)	.030 cala (,76 mm)
Moment dokręcenia świecy zapłonowej	180 lb-in (20 Nm)	180 lb-in (20 Nm)
Szczelina powietrzna cewki	.010 - .013 cala (,25 - ,35 mm)	.010 - .013 cala (,25 - ,35 mm)
Luz zaworu ssącego	.004 - .006 cala (,10 - ,15 mm)	.004 - .006 cala (,10 - ,15 mm)
Luz zaworu wydechowego	.005 - .007 cala (,15 - ,20 mm)	.005 - .007 cala (,15 - ,20 mm)

Dane techniczne	Model: 25V000
Pojemność skokowa	24.898 ci (408 cm ³)
Średnica cylindra	3.465 cala (88 mm)
Skok	2.638 cala (67 mm)
Śruba uchwytu mocowania przewodu	30 lb-in (3,4 Nm)
Śruba ustalacza przewodu	25 lb-in (2,8 Nm)
Pojemność miski olejowej	18 - 20 oz (,54 - ,59 l)
Szczelina świecy	,76 cala (.030 mm)
Moment dokręcenia świecy zapłonowej	180 lb-in (20 Nm)
Szczelina powietrzna cewki	.010 - .013 cala (,25 - ,35 mm)
Luz zaworu ssącego	,10 - ,15 cala (.004 - .006 mm)

Dane techniczne	Model: 25V000
Luz zaworu wydechowego	.005 - .007 cala (,15 - ,20 mm)

Moc silnika spada o 3,5% na każde 300 metrów (1000 stóp) powyżej poziomu morza i o 1% na każde 5,6°C (10°F) powyżej 25°C (77°F). Silnik będzie pracował zadowalająco pod kątem do 30°. Dopuszczalne ograniczenia dla bezpiecznej pracy na pochyłościach zawarte są w instrukcji obsługi.

Części serwisowe

Aby kupić części serwisowe Briggs & Stratton, znajdź Autoryzowanego dealera serwisowego: **BRIGGSandSTRATTON.COM**. Potrzebny będzie numer identyfikacyjny (model – typ – wersja). Aby znaleźć numer identyfikacyjny silnika, patrz rozdział **Budowa i elementy obsługowe**.

Moc znamionowa

Moc znamionowa brutto poszczególnych modeli silników benzynowych jest podawana zgodnie z przepisami J1940 (Procedura oznaczania wartości znamionowej mocy i momentu obrotowego dla małych silników) ustalonymi przez stowarzyszenie SAE (Society of Automotive Engineers) i została uzyskana zgodnie z wymaganiami normy SAE J1995. Wartości momentu obrotowego zostały określone przy prędkości obrotowej 2600 obr./min w przypadku tych silników, które mają oznaczenie „rpm” (obr./min) podane na tabliczce znamionowej oraz przy prędkości obrotowej 3060 obr./min w przypadku wszystkich pozostałych silników. Wartości mocy wyrażanej w koniach mechanicznych zostały obliczone przy prędkości obrotowej 3600 obr./min. Z krzywymi mocy maksymalnej można zapoznać się na stronie www.BRIGGSandSTRATTON.COM. Wartości mocy netto uzyskano podczas mierzenia z zainstalowanym wydechem i filtrem powietrza, podczas gdy maksymalne wartości mocy silnika uzyskano bez tych elementów. Rzeczywista maksymalna moc silnika będzie wyższa od wartości mocy netto silnika i będą mieć na to wpływ, między innymi, zewnętrzne warunki eksploatacji oraz różnice jednostkowe pomiędzy poszczególnymi silnikami. Przy tak szerokim asortymencie produktów, w których silniki są montowane, w konkretnym urządzeniu silnik benzynowy może nie uzyskać maksymalnej mocy znamionowej. Takie zróżnicowanie jest skutkiem działania wielu czynników, w tym między innymi elementów silnika (filtr powietrza, wydech, poziom naładowania akumulatora, chłodzenie, gaźnik, pompa paliwowa itd.), ograniczeń dotyczących stosowania, zewnętrznych warunków eksploatacji (temperatura, wilgotność, wysokość) oraz indywidualnych różnic pomiędzy silnikami. Z uwagi na ograniczenia produkcyjne i pojemnościowe firma Briggs & Stratton może zastępować silniki tej serii silnikami o wyższej mocy znamionowej.

Gwarancja

Gwarancja na silnik Briggs & Stratton®

Obowiązuje od sierpnia 2022 r.

Ograniczona gwarancja

Briggs & Stratton gwarantuje, że we wskazanym poniżej okresie gwarancji dokona nieodpłatnej naprawy lub wymiany dowolnej części obciążonej wadami materiałowymi, wadami wykonania lub obydwojoma rodzajami wad na nową, odnowioną lub ponownie wyprodukowaną część, według wyłącznego uznania Briggs & Stratton. Koszty transportu produktów dostarczanych do naprawy lub wymiany w ramach niniejszej Gwarancji ponosi nabywca. Gwarancja jest ważna przez okres podany poniżej i podlega warunkom określonym poniżej. Aby skorzystać z obsługi gwarancyjnej, należy wyszukać najbliższy autoryzowany punkt serwisowy na mapie w wyszukiwarce dealerów dostępnej pod adresem BRIGGSandSTRATTON.COM. Nabywca musi zwrócić się do autoryzowanego punktu serwisowego, a następnie udostępnić mu produkt do kontroli i sprawdzenia.

Nie udziela się innej wyraźnej gwarancji. Gwarancje domniemane, w tym między innymi gwarancja wartości handlowej lub przydatności do konkretnego celu są ważne przez jeden rok od daty zakupu lub przez okres, na jaki pozwala prawo. Wyłącza się odpowiedzialność z tytułu wszelkich innych gwarancji dorozumianych. Odpowiedzialność z tytułu szkód pośrednich lub następczych jest wykluczona w zakresie dopuszczalnym przez prawo. Niektóre stany lub kraje mogą nie zezwalać na ograniczenie okresu gwarancji domniemanej, a inne stany lub kraje nie zezwalają na wykluczenie lub ograniczenie odpowiedzialności z tytułu szkód pośrednich i następczych, w związku z czym powyższe ograniczenie oraz wykluczenie mogą nie dotyczyć niektórych użytkowników. Gwarancja ta zapewnia określone ustawowe prawa oprócz innych praw obowiązujących w różnych krajach lub stanach.

Standardowe warunki gwarancji^{1, 2}

Vanguard®, seria komercyjna

Zastosowanie konsumenckie – 36 miesięcy

Zastosowanie komercyjne – 36 miesięcy

XR Series

Zastosowanie konsumenckie – 24 miesiące

Zastosowanie komercyjne – 24 miesiące

Wszystkie inne silniki wyposażone w tuleje żeliwne Dura-Bore™

Standardowe warunki gwarancji^{1, 2}
Zastosowanie konsumenckie – 24 miesiące
Zastosowanie komercyjne – 12 miesięcy
Wszystkie inne silniki
Zastosowanie konsumenckie – 24 miesiące
Zastosowanie komercyjne – 3 miesiące

¹ Są to nasze standardowe warunki gwarancji, jednak w niektórych przypadkach zakres gwarancji może być rozszerzony, co nie zostało określone w momencie publikacji. Lista aktualnych warunków gwarancji dla danego silnika znajduje się na stronie BRIGGSandSTRATTON.COM lub można ją uzyskać w autoryzowanym punkcie serwisowym firmy Briggs & Stratton.

² Gwarancja nie obowiązuje w przypadku silników stosowanych w sprzęcie używanym do pracy z większym obciążeniem zamiast przewidzianego, generatorów rezerwowych używanych dla celów komercyjnych, silników stosowanych w pojazdach użytkowych przekraczających 25 mil na godzinę, a także silników używanych w wyścigach lub na torach komercyjnych, lub wynajętych.

* W Australii nasze produkty są objęte gwarancjami, których zgodnie z australijskim prawem konsumenckim nie można wyłączyć. Użytkownikowi przysługuje wymiana urządzenia lub zwrot pieniędzy w razie poważnej awarii oraz odszkodowanie z tytułu wszelkich innych racjonalnie przewidywalnych strat i szkód. Użytkownikowi przysługuje również prawo do naprawy lub wymiany towaru, jeśli jakość towaru jest nieakceptowalna, a jego awaria nie kwalifikuje się jako poważna. Aby skorzystać z obsługi gwarancyjnej, należy wyszukać najbliższy autoryzowany punkt serwisowy na mapie dostępnej w witrynie BRIGGSandSTRATTON.COM, zadzwonić pod numer 1300 274 447 lub przesłać wiadomość e-mail bądź list na adres odpowiednio salesenquires@briggsandstratton.com.au lub Briggs & Stratton Australia Pty Ltd, 1 Moorebank Avenue, Moorebank, NSW, Australia, 2170.

Okres ważności gwarancji rozpoczyna się w dniu zakupu przez pierwszego konsumenta detalicznego lub komercyjnego użytkownika końcowego i trwa przez okres podany w powyższej tabeli. „Zastosowanie konsumenckie” oznacza użytkowanie we własnym gospodarstwie domowym konsumenta. „Zastosowanie komercyjne” oznacza wszystkich innych użytkowników wykorzystujących urządzenie do celów komercyjnych, zarobkowych i podwywajmu. Jeżeli silnik był choć raz stosowany w celach komercyjnych, to w rozumieniu tej gwarancji traktowany będzie jako silnik o zastosowaniu komercyjnym.

Do uzyskania gwarancji na produkty marki Briggs & Stratton nie jest wymagana żadna rejestracja. Zachować dowód zakupu. Jeśli w momencie zgłoszenia żądania naprawy gwarancyjnej użytkownik nie przedstawi dowodu zakupu, okres obowiązywania gwarancji zostanie ustalony na podstawie daty wyprodukowania urządzenia.

Informacja o gwarancji

Gwarancja obejmuje wyłącznie wady materiałowe i/lub produkcyjne silnika, natomiast nie dotyczy ona wymiany lub zwrotu kosztów sprzętu, w którym zamontowano silnik. Konserwacja okresowa, dostrajanie, regulacje lub normalne zużycie nie są objęte gwarancją. Podobnie, gwarancja nie ma zastosowania, gdy silnik został zmieniony lub zmodyfikowany bądź numer seryjny silnika jest nieczytelny lub został usunięty. Niniejsza gwarancja nie obejmuje uszkodzenia silnika lub problemów jego z działaniem spowodowanych przez:

1. Użycie części, które nieBriggs & Stratton
2. Eksploatację silnika z olejem smarowym w niedostatecznej ilości, zanieczyszczonym lub niewłaściwego gatunku;
3. Użycie paliwa zanieczyszczonego lub przestarzałego, benzyny zawierającej więcej niż 10% etanolu lub użycie paliw alternatywnych, takich jak płynna ropa naftowa lub gaz ziemny w silnikach, które nie zostały oryginalnie zaprojektowane/ wyprodukowane przez firmę Briggs & Stratton do zasilania takimi paliwami;
4. Zanieczyszczenia, które przedostały się do silnika z powodu niewłaściwej konserwacji lub niewłaściwego ponownego montażu filtra powietrza;
5. Uderzenie obiektu przez nóż kosiarki obrotowej, luźny lub niewłaściwie zamontowany adapter noża, wirniki lub inne elementy sprzężone z wałem korbowym lub nadmierne napięcie pasa klinowego;
6. Współpracujące części lub zespoły, takie jak sprzęgła, przekładnie, elementy obsługi sprzętu itp. niebędące produktem firmy Briggs & Stratton;
7. Przegrzanie spowodowane przez ścinki trawy, brud i resztki lub gniazda gryzoni, które zatykają lub zapychają obszary żeberek chłodzących lub koła zamachowego lub przez pracę silnika bez dostatecznej wentylacji;
8. Nadmierne drgania spowodowane nadmierną prędkością, luźnymi mocowaniami silnika, luźnymi lub niewyważonymi nożami lub wirnikami, lub nieprawidłowym sprzęgnięciem komponentów wyposażenia z wałem korbowym;
9. Niewłaściwe użytkowanie, brak okresowej konserwacji, niewłaściwy transport, obsługę lub składowanie wyposażenia lub niewłaściwą instalację silnika.

Obsługę gwarancyjną zapewniają wyłącznie autoryzowane serwisy firmy Briggs & Stratton. W celu uzyskania usługi gwarancyjnej należy skontaktować się z najbliższym autoryzowanym punktem serwisowym znalezionym na mapie dostępnej w witrynie BRIGGSandSTRATTON.COM lub zadzwonić pod numer 1-800-444-7774 (w USA).

Informații generale



Acest manual conține informații de siguranță cu privire la pericolele și riscurile asociate motorului, precum și la modul în care le puteți preveni. De asemenea, conține procedurile corecte de operare și întreținere ale acestui motor. Este important să citiți, să înțelegeți și să urmați aceste instrucțiuni. **Păstrați acest manual pentru a-l consulta ulterior.**

NOTĂ: Figurile și ilustrațiile din acest manual sunt doar în scop de informare și pot diferi de modelul dumneavoastră. Folosiți figurile care corespund configurației motorului dvs. Dacă este necesar, adresați-vă unui dealer autorizat de service.

Înregistrați data achiziției, modelul motorului, tipul și subtipul, precum și numărul de serie al motorului, la solicitarea de piese de schimb. Aceste numere se află pe motorul dvs. Consultați secțiunea **Caracteristici și comenzi**.

Data achiziției	
Modelul - Tipul - Subtipul motorului	
Număr de serie al motorului	

Informații de contact biroul European

Pentru întrebări privind emisiile la nivel european, contactați Biroul nostru pentru Europa la adresa:

Max-Born-Straße 2, 68519 Viernheim, Germania.

Uniunea Europeană (UE) Etapa V (5): Valorile emisiilor de dioxid de carbon (CO₂)

Introduceți CO₂ în fereastra de căutare de pe site-ul BriggsandStratton.com pentru a afla valorile emisiilor de dioxid de carbon ale motoarelor Briggs & Stratton cu certificat de omologare de tip UE.

Siguranța operatorului

Simbolul de alertă privind siguranța și cuvintele de atenționare



Simbolul de alertă privind siguranța identifică informațiile referitoare la pericole care pot provoca vătămări corporale. Împreună cu simbolul de alertă este folosit un cuvânt de atenționare (**PERICOL**, **AVERTISMENT**, sau **ATENȚIE**) care indică probabilitatea și gravitatea posibilelor vătămări. În plus, se folosește un simbol de pericol pentru a reprezenta tipul de pericol.

PERICOL indică un pericol care, dacă nu este evitat, **va** avea ca rezultat decesul sau vătămarea corporală gravă.

AVERTISMENT indică un pericol care, dacă nu este evitat, **poate** avea ca rezultat decesul sau vătămarea corporală gravă.

ATENȚIE indică un pericol care, dacă nu este evitat, **poate** solda cu vătămări corporale minore sau moderate.

NOTIFICARE indică informațiile considerate ca fiind importante, însă care nu au legătură cu un pericol.

Simboluri de pericol și explicația acestora

Informații de siguranță despre pericolele care pot avea ca rezultat vătămări corporale.	Citiți și înțelegeți Manualul de utilizare înainte de a folosi sau servisa motorul.
Pericol de incendiu	Pericol de explozie
Pericol de șoc	Pericol de vapori toxici
Pericol de suprafață fierbinte	Pericol de recul

Pericol de amputare - piese în mișcare	Nivel combustibil - Maxim Nu alimentați în exces
--	---

Mesaje privind siguranța



AVERTISMENT

Motoarele Briggs & Stratton® nu sunt proiectate și nu trebuie folosite pentru motorizarea: karturilor recreaționale, vehiculelor de teren (ATV-uri) pentru copii, recreaționale sau sportive; motocicletelor; vehiculelor pe pernă de aer; produselor aeronautice; sau vehiculelor folosite în competiții care nu sunt aprobate de Briggs & Stratton. Pentru informații despre produsele destinate competițiilor, consultați www.briggsracing.com. Pentru utilizarea cu ATV-uri utilitare și de tip side-by-side, contactați Briggs & Stratton Power Application Center, 1-866-927-3349. Utilizarea incorrectă a motoarelor poate avea ca rezultat decesul sau vătămarea corporală gravă.

Informații privind reciclarea



Reciclați toate cutiile de carton, lăzile, uleiul folosit și bateriile în conformitate cu regulamentele aplicabile ale autorităților.

Caracteristici și comenzi

Comenzile motorului

Comparați literele mesajelor din Figurile 1, 2 și 3 cu comenzile motorului din lista de mai jos:

- Numerele de identificare a motorului **Model - Tip - Cod**
- Bujie
- Rezervor de combustibil și bușon
- Filtru de aer
- Mâner coardă demaror
- Jojă de ulei
- Orificiu de alimentare cu ulei
- Bușon de scurgere a uleiului
- Eșapament, apărătoare eşapament (dacă există), parascânite (dacă există)
- Comanda accelerației/Oprire combustibil/Transport Guard®
- Comandă șoc
- Grilă intrare aer
- Comutator demaror electric (dacă este instalat)
- Reductor (dacă există)

Unele modele și echipamente sunt dotate cu sisteme de control de la distanță. Consultați manualul echipamentului pentru instrucțiuni despre amplasarea și utilizarea comenzilor de la distanță.

Simbolurile comenzilor motorului și explicația acestora

Turație motor - RAPID	Turație motor - LENT
Turație motor - STOP	PORNIT - OPRIT
Pornirea motorului Șoc ÎNCHIS	Pornirea motorului Șoc DESCHIS
Bușon rezervor Robinet de închidere a combustibilului DESCHIS	Robinet de închidere a combustibilului ÎNCHIS

Ansamblu

Conversie la comanda accelerației

Motorul standard are o comandă de accelerație manuală. Pentru a acționa butonul de comandă manuală a accelerației, instalați un buton de comandă la distanță a accelerației sau faceți conversia la o turație fixă. Consultați instrucțiunile care urmează.

NOTĂ: Viteza motorului trebuie să fie corectă, astfel cum se prevede în specificațiile de performanță ale producătorului echipamentului. Contactați un dealer de service autorizat Briggs & Stratton pentru asistență.

Maneta de accelerație manuală

1. Deplasați maneta de accelerație/TransportGuard® (A, Figura 4) în poziția OPRIT.
2. Scoateți arcul (S, Figura 4).

Comandă la distanță a accelerației cu cablu de sârmă împletită

Un buton de comandă la distanță a accelerației cu cablu de sârmă împletită poate fi montat în una dintre cele două direcții: **direcția chiulasei** sau **direcția față**.

Direcția chiulasei

1. Deplasați maneta de accelerație/TransportGuard™ (A, Figura 5) în poziția OPRIT.
2. Utilizați o cheie de 10 mm și slăbiți cu ½ de tură piulița (P, Figura 5) aflată pe maneta de accelerație/TransportGuard® (A).
3. Țineți piulița de montare a cablului (J, Figura 6) cu o cheie de 10 mm și slăbiți șurubul (K).
4. Introduceți sârma cablului (L, Figura 6) prin orificiul din piulița de montare a cablului (J) și strângeți șurubul (K). Asigurați-vă că sârma cablului (L) nu se întinde cu mai mult de ½" (12,7 mm) peste orificiu.
5. Slăbiți șurubul (I, Figura 6). Atașați manșonul cablului (N) sub clema (M) și strângeți șurubul (I).
6. Verificați modul de operare al butonului de comandă a accelerației la distanță. Mutați butonul de comandă a accelerației la distanță de la lent la rapid de 2-3 ori. Asigurați-vă că butonul de comandă a accelerației și sârma cablului (L, Figura 6) se mișcă liber. Reglați piulița (P, Figura 7) după cum este necesar pentru poziția specificată.

Direcția față

1. Reglați maneta de accelerație/TransportGuard™:
 - a. **Pentru modelele de motor 10V000 și 12V000:** Deplasați maneta de accelerație/TransportGuard™ (A, Figura 8) în poziția RAPID.
 - b. **Pentru modelele de motor 25V000:** Deplasați maneta de accelerație/TransportGuard™ (A, Figura 8) în poziția OPRIT.
2. Utilizați o cheie de 10 mm și slăbiți cu ½ de tură piulița (P, Figura 7) aflată pe maneta de accelerație/TransportGuard® (A).
3. Țineți piulița de montare a cablului (J, Figura 8) cu o cheie de 10 mm și slăbiți șurubul.
4. Introduceți sârma cablului (L, Figura 8) prin orificiul din piulița de montare a cablului (J) și strângeți șurubul (K). Asigurați-vă că sârma cablului (L) nu se întinde cu mai mult de ½" (12,7 mm) peste orificiu.
5. Slăbiți șurubul (I, Figura 8). Atașați manșonul cablului (N) sub clema (M) și strângeți șurubul (I).
6. Verificați modul de operare al butonului de comandă a accelerației la distanță. Mutați butonul de comandă a accelerației la distanță de la lent la rapid de 2-3 ori. Asigurați-vă că butonul de comandă a accelerației și cablul (L, 8) se mișcă liber. Reglați piulița (P, Figura 7) după cum este necesar pentru poziția specificată.

Comanda la distanță a accelerației cu cablu de sârmă masivă

Un buton de comandă la distanță a accelerației cu cablu de sârmă masivă poate fi montat în una din cele patru direcții: **Direcția chiulasei**, **direcția față**, **direcția stânga** sau **direcția dreapta**.

Direcția chiulasei

1. Deplasați maneta de accelerație/TransportGuard® (A, Figura 9) în poziția OPRIT.
2. Scoateți arcul (S, Figura 9).
3. Deplasați maneta de accelerație/TransportGuard® (A, Figura 9) în poziția RAPID.
4. Utilizați o cheie de 10 mm și slăbiți cu ½ de tură piulița (P, Figura 4) aflată pe maneta de accelerație/TransportGuard® (A).
5. Introduceți conectorul Z al cablului de sârmă masivă (Q, Figura 9) în oricare orificiu de mici dimensiuni din pârghia cotită (R).
6. Slăbiți șurubul (I, Figura 9). Atașați manșonul cablului (N) sub clema (M) și strângeți șurubul (I).

7. Verificați modul de operare al butonului de comandă a accelerației la distanță. Mutați butonul de comandă a accelerației la distanță de la lent la rapid de 2-3 ori. Asigurați-vă că butonul de comandă a accelerației și sârma cablului (L, Figura 9) se mișcă liber. Reglați piulița (P, Figura 4) după cum este necesar pentru poziția specificată.

Direcția față

1. Deplasați maneta de accelerație/TransportGuard® (A, Figura 10) în poziția OPRIT.
2. Scoateți arcul (S, Figura 10).
3. Deplasați maneta de accelerație/TransportGuard® (A, Figura 10) în poziția RAPID.
4. Utilizați o cheie de 10 mm și slăbiți cu ½ de tură piulița (P, Figura 4) aflată pe maneta de accelerație/TransportGuard® (A).
5. Introduceți conectorul Z al cablului de sârmă masivă (Q, Figura 10) în oricare dintre cele două orificii de mici dimensiuni din pârghia cotită (R).
6. Slăbiți șurubul (I, Figura 10). Atașați manșonul cablului (N) sub clema (M) și strângeți șurubul (I).
7. Verificați modul de operare al butonului de comandă a accelerației la distanță. Mutați butonul de comandă a accelerației la distanță de la lent la rapid de 2-3 ori. Asigurați-vă că butonul de comandă a accelerației și cablul (L, Figura 10) se mișcă liber. Reglați piulița (P, Figura 4) după cum este necesar pentru poziția specificată.

Direcția stângă

1. Deplasați maneta de accelerație/TransportGuard® (A, Figura 11) în poziția OPRIT.
2. Scoateți arcul (S, Figura 4).
3. Deplasați maneta de accelerație/TransportGuard® (A, Figura 11) în poziția RAPID.
4. Utilizați o cheie de 10 mm și slăbiți cu ½ de tură piulița (P, Figura 4) aflată pe maneta de accelerație/TransportGuard® (A, Figura 11).
5. Scoateți butonul pârgheii de accelerație (W, Figura 11) pentru a ajunge la orificiul de mici dimensiuni (S).
6. Introduceți conectorul Z al cablului de sârmă (L, Figura 11) în orificiul de mici dimensiuni (S) din maneta de accelerație (A).
7. Slăbiți șurubul (I, Figura 11). Atașați manșonul cablului (N) sub clema (M) și strângeți șurubul (I).
8. Verificați modul de operare al butonului de comandă a accelerației la distanță. Mutați butonul de comandă a accelerației la distanță de la lent la rapid de 2-3 ori. Asigurați-vă că butonul de comandă a accelerației și cablul (L, Figura 11) se mișcă liber. Reglați piulița (P, Figura 4) după cum este necesar pentru poziția specificată.

Direcția dreaptă

Pentru a monta un buton de comandă la distanță a accelerației din direcția dreaptă, este necesară o consolă de montare a cablului (U, Figura 12). Consultați secțiunea **Specificații și piese de schimb** pentru a găsi numărul piesei. Pentru a achiziționa o consolă de montare a cablului, contactați un dealer de service autorizat Briggs & Stratton.

1. Deplasați maneta de accelerație/TransportGuard® (A, Figura 12) în poziția OPRIT.
2. Scoateți arcul (S, Figura 4).
3. Scoateți butonul pârgheii de accelerație (W, Figura 12) pentru a expune orificiul de mici dimensiuni (S).
4. Deplasați maneta de accelerație/TransportGuard® (A, Figura 12) în poziția RAPID.
5. Utilizați o cheie de 10 mm și slăbiți cu ½ de tură piulița (P, Figura 4) aflată pe maneta de accelerație/TransportGuard® (A, 12).
6. Introduceți conectorul Z al cablului de sârmă (L, Figura 12) în orificiul de mici dimensiuni (S) din maneta de accelerație (A).
7. Demontați șurubul (T, Figura 12). Montați consola de montare a cablului (U) astfel cum este indicat. Atașați consola de montare a cablului (U) folosind bolțul (T). Strângeți bolțul (T) la 30 livre-țoli (3,4 Nm). Consultați secțiunea **Specificații și piese de schimb**.
8. Slăbiți șurubul (I, Figura 12). Atașați manșonul cablului (N) sub clema (M) și strângeți șurubul (I).
9. Examinați modul de operare al butonului de comandă a accelerației la distanță. Mutați butonul de comandă a accelerației la distanță de la lent la rapid de 2-3 ori. Asigurați-vă că butonul de comandă la distanță a accelerației și cablul (L, Figura 12) se mișcă liber. Reglați piulița (P, Figura 4) după cum este necesar pentru poziția specificată.

Turație fixă de motor (fără cablu de accelerație)

Atunci când faceți conversia la o turație fixă de motor, nu este instalat un cablu de accelerație și nu există posibilitatea de selectare a turației. Singura turație de motor este cea RAPID.

1. Deplasați maneta de accelerație/TransportGuard® (A, Figura 13) în poziția OPRIT.
2. Scoateți arcul (S, Figura 13).
3. Deplasați maneta de accelerație/TransportGuard® (A, Figura 13) în poziția RAPID.

- Asigurați-vă că șurubul dispozitivului de blocare a firelor (V, Figura 13) este aliniat cu orificiul din consolă. Strângeți șurubul (V) la 25 livre-țoli (2,8 Nm).
- Scoateți legătura comenzii (H, Figura 13).

NOTĂ: În acest moment, maneta de accelerație/TransportGuard® va avea numai două poziții: Poziția OPRIRE/OPRIT și poziția FUNCȚIONARE.

- Montați noua etichetă PORNIT/OPRIT TransportGuard® (O, Figura 14) peste eticheta existentă cu controlul turației aflată pe panoul exterior (F).

Funcționare



AVERTISMENT

Combustibilii sunt inflamabili, iar vaporii lor sunt explozivi. Incendiul sau explozia pot provoca arsuri sau decesul.

Dacă simțiți miros de gaz

- Nu porniți motorul.
- Nu acționați comutatoare electrice.
- Nu folosiți telefonul în zona respectivă.
- Evacuați zona.
- Contactați pompierii.

Când utilizați echipamentul

- Nu înclinați motorul sau echipamentul la un unghi care determină vărsarea benzinei.

Dacă schimbați locul de amplasare a echipamentului

- Asigurați-vă că rezervorul de combustibil este GOL sau că robinetul de oprire a combustibilului este în poziția ÎNCHIS, dacă este instalat.

Verificarea nivelului uleiului

Înainte să verificați sau să adăugați ulei

- Asigurați-vă că motorul este orizontal.
- Curățați zona de alimentare cu ulei de reziduuri.
- Consultați secțiunea **Specificații** pentru detalii cu privire la capacitatea de ulei.

NOTIFICARE

Acest motor este livrat de către Briggs & Stratton fără ulei. Este posibil ca producătorii sau distribuitorii echipamentului să fi adăugat ulei la motor. Înainte să porniți motorul pentru prima dată, asigurați-vă că nivelul uleiului este corect. Adăugați ulei așa cum se specifică în instrucțiunile din acest manual. Pornirea motorului fără ulei provoacă defectarea motorului, care nu este acoperită de garanție.

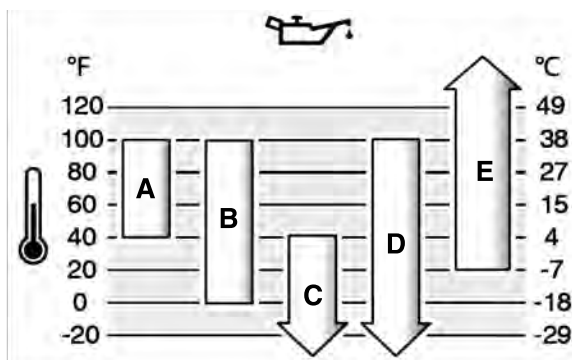
- Scoateți joja (A, Figura 15) și ștergeți-o cu o cârpă
- Montați și strângeți joja (A, Figura 15).
- Scoateți joja și verificați nivelul uleiului. Asigurați-vă că nivelul uleiului este în partea superioară a indicatorului de plin (B, Figura 15) de pe joja.
- Motorul are două orificii de alimentare cu ulei (C, G, Figura 16). Dacă nivelul uleiului este scăzut, turnați lent ulei în orificiul de alimentare cu ulei (C, G). Nu adăugați prea mult ulei. După adăugarea uleiului, așteptați un minut și apoi verificați din nou nivelul uleiului. Asigurați-vă că nivelul uleiului este corect.
- Montați și strângeți joja (A, Figura 15).

Recomandări referitoare la ulei

Capacitate ulei: Consultați secțiunea **Specificații**.

Pentru cea mai bună performanță vă recomandăm uleiurile certificate și garantate de la Briggs & Stratton®. Alte uleiuri de calitate superioară cu rol de curățare sunt permise dacă sunt clasificate pentru service SF, SG, SH, SJ sau clase superioare. NU folosiți aditivi speciali.

Utilizați diagrama pentru a selecta cea mai bună viscozitate pentru prognoza intervalului de temperatură din exterior. Motoarele de la majoritatea echipamentelor electrice de exterior funcționează bine cu ulei sintetic 5W-30. Pentru echipamentele ce funcționează la temperaturi ridicate, uleiul sintetic Vanguard® 15W-50 oferă cea mai bună protecție.



A	SAE 30 - Sub 40°F (4°C), utilizarea SAE 30 va avea ca rezultat o pornire grea.
B	10W-30 - Peste 80°F (27°C), utilizarea de 10W-30 poate cauza creșterea consumului de ulei. Verificați frecvent nivelul uleiului.
C	5W-30
D	Sintetic 5W-30
E	Vanguard® Sintetic 15W-50

Sistem de protecție împotriva nivelului scăzut al uleiului (dacă există)

Unele motoare sunt echipate cu un senzor care indică nivelul scăzut al uleiului. Dacă nivelul uleiului este scăzut, senzorul va afișa o lumină de avertizare sau mesajul de oprire a motorului. Opriti motorul și efectuați pașii următori înainte de a porni motorul.

- Asigurați-vă că motorul este orizontal.
- Verificați nivelul uleiului. Consultați secțiunea **Verificarea nivelului de ulei**.
- Dacă nivelul uleiului este scăzut, adăugați cantitatea de ulei corectă. Porniți motorul și asigurați-vă că lumina de avertizare (dacă există) nu se aprinde.
- Dacă nivelul uleiului este scăzut, nu porniți motorul. Luați legătura cu un dealer autorizat de service Briggs & Stratton pentru a remedia problema cu uleiul.

Recomandări referitoare la combustibil

Combustibilul trebuie să îndeplinească următoarele cerințe:

- Benzină curată, proaspătă, fără plumb.
- Cifra octanică minim 87/87 AKI (91 RON). Utilizare la altitudini ridicate - consultați informațiile de mai jos.
- Este permisă benzina cu până la 10% etanol (gazohol).

NOTIFICARE

Nu utilizați tipuri neaprobate de benzină, cum ar fi E15 și E85. Nu amestecați ulei în benzină și nu modificați motorul pentru a funcționa cu combustibili alternativi. Folosirea combustibililor neapropați va avea ca rezultat deteriorarea componentelor motorului, în acest caz reparația nefiind acoperită de garanție.

Pentru protejarea sistemului de combustibil de formarea de gume și coroziune, amestecați un aditiv pentru combustibil fără alcool și un tratament pe bază de etanol în combustibil. Consultați secțiunea **Depozitarea**. Nu toți combustibilii sunt identici. Dacă apar probleme de pornire sau de performanță, schimbați furnizorii sau mărcile de combustibil. Acest motor este certificat să funcționeze cu benzină. Sistemul de control al emisiilor pentru motoarele cu carburator este EM (Modificări ale motorului). Sistemele de control al emisiilor pentru motoarele cu injecție electronică de combustibil sunt ECM (modul de control al motorului), MPI (injecție multiport de combustibil) și, dacă este prevăzut, un O2S (senzor de oxigen).

Altitudine ridicată

La altitudini de peste 5000 de picioare (1524 de metri), este permisă benzina cu cifra octanică 85/85 AKI (89 RON), ca o condiție minimă.

Pentru motoarele cu carburator, este necesară reglarea pentru altitudine ridicată pentru a menține performanța. Utilizarea fără această reglare va cauza o performanță mai slabă, creșterea consumului de combustibil și creșterea emisiilor. Contactați un dealer de service autorizat Briggs & Stratton pentru informații referitoare la reglarea pentru altitudine ridicată. Nu se recomandă utilizarea motorului la altitudini sub 2.500 de picioare (762 de metri) cu reglajele pentru altitudini mari.

În cazul motoarelor cu injecție electronică a combustibilului (EFI), nu este necesară reglarea pentru altitudine ridicată.

Adăugare carburant



AVERTISMENT

Combustibilul și vaporii săi sunt foarte inflamabili și explozivi. Incendiul sau explozia pot provoca arsuri sau decesul.

Când adăugați combustibil

- Opriți motorul. Așteptați două (2) minute pentru a vă asigura că motorul este rece, înainte să demontați bușonul rezervorului de combustibil.
 - Umpleți rezervorul de combustibil afară sau într-o zonă bine ventilată.
 - Nu puneți prea mult combustibil în rezervor. Pentru a permite expansiunea combustibilului, nu umpleți deasupra părții inferioare a gulerului rezervorului de combustibil.
 - Păstrați combustibilul la distanță față de scântei, flăcări deschise, flăcări de veghe, surse de căldură și alte surse de aprindere.
 - Verificați frecvent conductele de combustibil, bușonul rezervorului de combustibil și racordurile pentru a vedea dacă nu prezintă fisuri sau scurgeri. Înlocuiți componentele deteriorate.
 - În cazul în care se varsă combustibil, așteptați până la uscarea acestuia înainte să porniți motorul.
1. Curățați zona bușonului rezervorului de combustibil de praf și reziduuri. Scoateți bușonul rezervorului de combustibil.
 2. Umpleți rezervorul de combustibil (A, Figura 17) cu combustibil. Deoarece combustibilul se dilată, nu umpleți deasupra părții inferioare a gulerului rezervorului de combustibil (B).
 3. Instalați bușonul rezervorului de combustibil.

Pornirea motorului



AVERTISMENT

PERICOL DE GAZE OTRĂVITOARE. Gazele de eșapament conțin monoxid de carbon, un gaz otrăvitor care vă poate ucide în câteva minute. Chiar dacă nu simțiți miros de gaze de eșapament, este posibil să fiți expus la monoxid de carbon, care este periculos. Dacă aveți grețuri, vă simțiți amețit(ă) sau slăbit(ă) în timp ce utilizați acest produs, ieșiți IMEDIAT la aer curat. Apelați la un doctor. Este posibil să fiți intoxicați cu monoxid de carbon.

- Monoxidul de carbon se poate acumula în spații locuite. Pentru a reduce pericolul de acumulare a monoxidului de carbon, folosiți acest produs NUMAI în aer liber, la distanță de ferestre, uși și orificii de ventilație.
- Montați alarme de monoxid de carbon care funcționează cu baterii sau alarme de monoxid de carbon conectate la rețeaua electrică, dar au și baterii de rezervă, așa cum se specifică în instrucțiunile producătorului. Alarmerile de fum nu pot detecta monoxidul de carbon.
- NU folosiți acest produs în locuințe, garaje, pivnițe, spații înguste, șoproane sau alte spații închise, chiar dacă folosiți ventilatoare sau deschideți uși și ferestre pentru ventilație. După folosirea acestui produs, monoxidul de carbon se poate acumula rapid în aceste spații și poate rămâne acolo mai multe ore.
- Amplasați ÎNTOTDEAUNA acest produs pe direcția vântului și orientați toba de eșapament în sens opus față de spațiile locuite.



AVERTISMENT

Combustibilul și vaporii săi sunt foarte inflamabili și explozivi. Incendiul sau explozia pot provoca arsuri sau decesul.

Atunci când porniți motorul

- Asigurați-vă că bujia, toba de eșapament, bușonul rezervorului de combustibil și filtrul de aer (dacă este prevăzut) sunt montate corect.
- Nu porniți motorul cu manivela atunci când bujia incandescentă este demontată.
- Când se îneacă motorul, puneți șocul (dacă este prevăzut) în poziția DESCHIS sau FUNCȚIONARE. Mutați șocul în poziția RAPID (dacă este prevăzută) și folosiți manivela până la pornirea motorului.
- Dacă în zonă există scurgeri de gaz natural sau gaz LP, nu porniți motorul.
- Nu utilizați fluide de aprindere sub presiune deoarece vaporii sunt inflamabili.



AVERTISMENT

Piese rotative pot prinde mâinile, picioarele, părul, îmbrăcămintea sau accesoriile, provocând amputări traumatice sau tăieturi grave.

- Utilizați echipamentul cu apărătoarele montate corect.
- Țineți mâinile și picioarele la distanță de piesele în mișcare.
- Scoateți bijuteriile și asigurați-vă că părul lung este la distanță de piesele rotative.
- Nu purtați îmbrăcăminte largă sau obiecte care ar putea fi prinse în echipament.



AVERTISMENT

Retragerea rapidă a corzii de pornire (reculul) va trage mâna și brațul către motor mai repede decât puteți să îi dați drumul. Aceasta poate provoca ruperea oaselor, fracturi, zgârieturi sau luxații.

- Pentru a evita reculul la pornirea motorului, trageți lent coarda până simțiți rezistență, și apoi trageți rapid.
- Înainte de a porni motorul, îndepărtați toate echipamentele externe/sarcinile motorului.
- Asigurați-vă că componentele echipamentului cuplate direct, cum ar fi, dar fără a se limita la acestea, lamele, paletele, roțile de transmisie, roțile de lanț sunt bine fixate.

NOTĂ: Echipamentul dumneavoastră poate avea comenzi de la distanță. Consultați manualul echipamentului pentru instrucțiuni pentru amplasarea și utilizarea comenzilor de la distanță.

1. Verificați nivelul uleiului din motor. Consultați secțiunea **Verificarea nivelului de ulei**.
2. Asigurați-vă că comenzile de deplasare ale echipamentului, dacă sunt prevăzute, nu sunt activate.
3. Deplasați maneta de accelerație/TransportGuard® (A, Figura 18), dacă există, în poziția RAPID sau FUNCȚIONARE. Utilizați motorul în poziția RAPID sau FUNCȚIONARE.
4. Mutați șocul (B, Figura 18), în poziția ÎNCHIS.

De obicei, nu este necesar să folosiți șocul la pornirea unui motor cald.

5. **Demaror cu arc, dacă este prevăzut:** Apucați ferm mânerul corzii demarorului (C, Figura 18). Trageți mânerul corzii de pornire lent până când întâmpinați rezistență, apoi trageți rapid.



AVERTISMENT

Retragerea rapidă a corzii de pornire (reculul) va trage mâna și brațul către motor mai repede decât puteți să îi dați drumul. Aceasta poate provoca ruperea oaselor, fracturi, zgârieturi sau luxații.

- Pentru a evita reculul la pornirea motorului, trageți lent coarda până simțiți rezistență, și apoi trageți rapid.
- Înainte de a porni motorul, îndepărtați toate echipamentele externe/sarcinile motorului.
- Asigurați-vă că componentele echipamentului cuplate direct, cum ar fi, dar fără a se limita la acestea, lamele, paletele, roțile de transmisie, roțile de lanț sunt bine fixate.

6. **Pornirea electrică, dacă este prevăzută:** Rotiți comutatorul demarorului electric (D, Figura 18) în poziția PORNIRE.

NOTIFICARE

Pentru a prelungi durata de funcționare a demarorului, utilizați cicluri scurte de pornire (maxim cinci secunde). Așteptați un minut între ciclurile de pornire.

7. Pe măsură ce motorul se încălzește, mutați comanda șocului (B, Figura 18) în poziția DESCHIS.

Dacă motorul nu pornește după 2 sau 3 încercări, contactați dealerul local sau vizitați vanguardpower.com sau apelați 1-800-999-9333 (în SUA).

Oprirea motorului



AVERTISMENT

Combustibilul și vaporii săi sunt foarte inflamabili și explozivi. Incendiul sau explozia pot provoca arsuri sau decesul.

- Nu înecați carburatorul (dacă este prevăzut) pentru a opri motorul.

Butonul de comandă a accelerației/Transport Guard®: Deplasați butonul de comandă a accelerației/TransportGuard® (A, Figura 19) în poziția OPRIT sau OPRIRE.

NOTĂ: Când butonul de comandă a accelerației/TransportGuard® (A, Figura 19) se află în poziția OPRIT sau OPRIRE, robinetul de combustibil se află în poziția OPRIT. Deplasați întotdeauna butonul de comandă a accelerației/TransportGuard® în poziția OPRIT sau OPRIRE atunci când transportați echipamentul.

NOTĂ: Cheia (D, Figura 19) nu oprește motorul. Cheia nu face DECĂT să pornească motorul. Scoateți întotdeauna cheia (D) și păstrați-o într-un loc sigur, unde nu este la îndemâna copiilor.

Întreținere

Informații privind întreținerea

AVERTISMENT

Combustibilul și vaporii săi sunt foarte inflamabili și explozivi. Incendiul sau explozia pot provoca arsuri sau decesul.

În timpul întreținerii, dacă este necesară înclinarea unității, asigurați-vă că rezervorul de combustibil, dacă este montat pe motor, este gol, iar latura pe care se află bujia este orientată în sus. Dacă rezervorul de combustibil nu este gol, combustibilul se poate scurge, provocând un incendiu sau o explozie. Dacă motorul este înclinat în altă direcție, acesta nu va porni ușor din cauza contaminării cu ulei sau combustibil la filtrul de aer sau a bujiei.

AVERTISMENT

Scânteele accidentale de la motor pot provoca un șoc electric, incendiu sau explozie, ceea ce conduce la agățare, amputare traumatică sau leziuni grave.

Înainte de a efectua reglaje sau reparații:

- Deconectați toate firele bujiei și țineți-le la distanță de bujii.
- Deconectați cablul acumulatorului de la borna negativă a acestuia (numai la motoarele cu sistem de pornire electrică).
- Utilizați numai unelte adecvate.

Când verificați scântea:

- Utilizați un dispozitiv de testare aprobat pentru bujii incandescente.
- Nu verificați dacă există scântee atunci când bujia este demontată.

AVERTISMENT

Piesele de schimb trebuie să fie identice și montate în aceeași poziție cu piesele originale. Alte piese pot provoca deteriorări sau vătămări.

NOTIFICARE

Pentru o funcționare corectă, toate componentele utilizate la fabricarea acestui motor trebuie să fie prezente.

Apelați la un dealer autorizat de service Briggs & Stratton pentru toate operațiile de întreținere și reparare a motorului și a pieselor motorului.

Întreținerea sistemului de control al emisiilor

Pentru întreținerea, înlocuirea sau repararea sistemelor și dispozitivelor de control al emisiilor, contactați o unitate sau persoană specializată în repararea motoarelor nerutiere. Totuși, lucrările de întreținere „gratuite” pentru controlul emisiilor trebuie efectuate de către un dealer autorizat de fabrică. Consultați declarațiile privind controlul emisiilor.

Programul de întreținere

Primele 5 ore
<ul style="list-style-type: none">• Schimbați uleiul.
La fiecare 8 ore sau zilnic
<ul style="list-style-type: none">• Verificați nivelul uleiului de motor.• Curățați zona din jurul comenzilor și tobei de eșapament.• Curățați grila de intrare a aerului.
La fiecare 100 de ore sau anual
<ul style="list-style-type: none">• Întrețineți sistemul de evacuare.• Schimbarea uleiului din reductor (dacă este prevăzut).
La fiecare 200 de ore sau anual
<ul style="list-style-type: none">• Schimbați uleiul de motor.• Curățați filtrul de aer¹
Intervale de 600 de ore sau de 3 ani
<ul style="list-style-type: none">• Înlocuiți filtrul de aer.
Anual

- Înlocuiți bujia.
- Servisați sistemul de alimentare cu combustibil.
- Servisați sistemul de răcire¹.
- Verificați jocul supapei².

¹Curățați mai frecvent în condiții cu praf sau când există multe particule în aer.

²Doar în cazul în care apar probleme la motor.

Carburatorul și turația motorului

Nu efectuați ajustări la carburator, la clapetele reglatoare, la articulații sau la alte piese pentru a regla turația motorului. Dacă sunt necesare reglaje, apelați la un dealer autorizat de service Briggs & Stratton.

NOTIFICARE

Producătorul echipamentului specifică turația maximă a motorului instalat pe echipament. Nu depășiți această turație. Dacă aveți dubii cu privire la turația maximă a echipamentului dvs. sau la turația reglată din fabrică, contactați un Dealer autorizat de service Briggs & Stratton pentru asistență. Pentru o funcționare sigură și corectă a echipamentului, turația motorului trebuie reglată numai de către un tehnician de service calificat.

Lucrările de întreținere ale bujiei

Verificați distanța disruptivă a bujiei (A, Figura 20) cu un calibru de sârmă (B). Dacă este necesar, reglați distanța disruptivă a bujiei. Montați și strângeți bujia la cuplul corect. Pentru specificații privind distanța disruptivă a bujiei și cuplul, consultați secțiunea **Specificații**.

Operațiuni de service asupra sistemelor de eșapament și răcire

AVERTISMENT

În timpul funcționării, motorul și toba se încălzesc. Dacă atingeți un motor fierbinte, se pot produce arsuri termice.

Materialele inflamabile, precum frunzele, iarba, arbuștii se pot aprinde.

- Înainte să atingeți motorul sau toba, opriți motorul și așteptați două (2) minute. Asigurați-vă că motorul și toba pot fi atinse fără a fi în pericol.
- Îndepărtați reziduurile din tobă și din motor.

Conform California Public Resource Code, secțiunea 4442, este interzisă utilizarea motorului în zone cu păduri, tufișuri sau iarbă fără ca sistemul de evacuare să fie dotat cu un paravan de scântee, așa cum se definește în secțiunea 4442, aflat în bună stare de funcționare. Alte state sau jurisdicții federale ar putea avea o legislație similară; consultați Regulamentul Federal 36 CFR Partea 261.52. Contactați producătorul echipamentului original, comerciantul cu amănuntul sau dealerul pentru a obține un paravan de scântee proiectat pentru sistemul de evacuare montat pe acest motor.

Acest motor este răcit cu aer. Murdăria sau materialul nedorit pot obstrucționa fluxul de aer și pot cauza supraîncălzirea motorului. Aceasta cauzează o performanță nesatisfăcătoare și diminuează durata de viață a motorului. Aripioarele de răcire ale cilindrului pot colecta materiale nedorite care nu pot fi îndepărtate fără dezasamblarea parțială a motorului. Asigurați-vă că un dealer autorizat de service Briggs & Stratton examinează și curăță sistemul de răcire cu aer. Consultați **Programul de întreținere**.

1. Asigurați-vă că nu există materiale combustibile în preajmă și în spatele eșapamentului.
2. Folosiți o perie sau o cârpă uscată pentru a îndepărta materialele nedorite de pe capacul carcasei suflantei, precum și din zona eșapamentului și a cilindrului. NU folosiți apă pentru a curăța motorul.
3. Asigurați-vă că lanțul cinematic, arcurile și comenzile sunt curate.
4. Verificați ca toba de eșapament să nu prezinte crăpături, coroziune sau alte deteriorări.
5. Îndepărtați dispozitivul parascânteei, dacă este instalat, și verificați să nu fie deteriorat sau să prezinte blocaje de carbon. Asigurați-vă că curățați sau instalați piesele de schimb înainte de a opera dispozitivul.
6. Asigurați-vă că paletele radiatorului de ulei sunt curate, dacă sunt instalate.

Schimbați uleiul de motor



AVERTISMENT

Combustibilul și vaporii săi sunt foarte inflamabili și explozivi. Incendiul sau explozia pot provoca arsuri sau decesul.

În timpul funcționării, motorul și toba se încălzesc. Dacă atingeți un motor fierbinte, se pot produce arsuri termice.

- Dacă scurgeți uleiul prin tubul superior de alimentare cu ulei, rezervorul de combustibil trebuie să fie gol. Dacă nu este gol, combustibilul se poate scurge, provocând un incendiu sau o explozie.
- Înainte să atingeți motorul sau toba, opriți motorul și așteptați două (2) minute. Asigurați-vă că motorul și toba pot fi atinse fără a fi în pericol.

Uleiul uzat este un deșeu periculos și trebuie să fie eliminat în mod corect. Nu îl aruncați împreună cu deșeurile menajere. Interesați-vă la autoritățile locale, centrul de service sau la dealer care sunt posibilitățile de eliminare sau reciclare sigure.

Pentru modelele **Just Check & Add™**, schimbarea uleiului nu este necesară. Dacă este necesară schimbarea uleiului, consultați procedura care urmează.

Scurgerea uleiului

1. Cu motorul oprit dar cald, deconectați fișele bujiilor (D, Figura 21) și mențineți-le la distanță de bujie/bujii (E).
2. Scoateți joja (A, Figura 22).
3. Motorul are două bușoane de scurgere a uleiului (H, F, Figura 23). Îndepărtați bușoanele de scurgere a uleiului (H, F). Goliți uleiul într-un recipient aprobat.
4. Montați la loc și strângeți bușoanele de scurgere a uleiului (H, F, Figura 23).

Adăugarea uleiului

- Asigurați-vă că motorul este orizontal.
- Curățați tot materialul nedorit din zona de alimentare cu ulei.
- Consultați secțiunea **Specificații** pentru detalii cu privire la capacitatea uleiului.

1. Scoateți joja. Consultați secțiunea **Scurgerea uleiului**.
2. Turnați lent uleiul într-unul dintre orificiile de alimentare cu ulei (C, G, Figura 24). Nu adăugați prea mult ulei.
3. Așteptați un minut și apoi verificați nivelul uleiului.
4. Introduceți joja.
5. Scoateți joja și verificați nivelul uleiului. Nivelul corect al uleiului este în partea superioară a indicatorului de umplere de pe jojă. Consultați secțiunea **Verificarea nivelului de ulei**.
6. Montați la loc joja și strângeți-o.
7. Conectați fișa/fișele bujiei/bujiilor la bujie/bujii. Consultați secțiunea **Scurgerea uleiului**.

Schimbarea uleiului reductorului

Unele motoare sunt prevăzute cu reductor. Dacă este prevăzut, consultați etapele pentru unul dintre următoarele reductoare.

Reductor cu lanț 2:1

Dacă motorul este echipat cu un reductor cu lanț 2:1 (G, Figura 25), schimbarea uleiului nu este necesară. Uleiul din motor lubrifiază și reductorul cu lanț.

Reductor pentru ambreiaj umed 2:1

Dacă motorul este echipat cu un reductor pentru ambreiaj umed 2:1, parcurgeți etapele de mai jos:

1. Scoateți joja (A, Figura 26).
2. Demontați bușonul de scurgere (B, Figura 26) și scurgeți uleiul într-un recipient adecvat.
3. Montați la loc și strângeți bușonul de scurgere a uleiului (B, Figura 26).
4. Adăugați lent ulei în orificiul de alimentare cu ulei (C, Figura 26). Consultați secțiunea **Specificații**.
5. Montați joja (A, Figura 26).
6. Scoateți joja (A, Figura 26) și verificați nivelul uleiului. Nivelul corect al uleiului este în partea superioară a indicatorului de umplere (D) de pe jojă.
7. Montați joja (A, Figura 26).

Reductor 6:1

Dacă motorul este echipat cu un reductor 6:1, efectuați etapele de mai jos:

1. Demontați bușonul de alimentare cu ulei (A, Figura 27) și bușonul pentru nivelul uleiului (B).
2. Demontați bușonul de scurgere a uleiului (C, Figura 27) și scurgeți uleiul într-un recipient adecvat.

3. Montați la loc și strângeți bușonul de scurgere a uleiului (C, Figura 27).
4. Adăugați lent ulei pentru reductor (80W-90) în orificiul de umplere cu ulei (D, Figura 27). Continuați să adăugați ulei pentru reductor (80W-90) până când uleiul se revărsa din orificiul de umplere cu ulei (E).
5. Montați la loc și strângeți bușonul pentru nivelul uleiului (B, Figura 27).
6. Montați la loc și strângeți bușonul de alimentare cu ulei (A, Figura 27).

NOTĂ: Bușonul de alimentare cu ulei (A, Figura 27) are un orificiu de ventilare (F) și trebuie montat în partea superioară a capacului cutiei, conform ilustrației.

Lucrările de service ale filtrului de aer



AVERTISMENT

Combustibilii sunt inflamabili, iar vaporii lor sunt explozivi. Incendiul sau explozia pot provoca arsuri sau decesul.

- Nu porniți și nu utilizați motorul având demontat ansamblul filtrului de aer (dacă este prevăzut) sau filtrul de aer (dacă este prevăzut).

NOTIFICARE

Nu folosiți aer comprimat sau solvenți pentru a curăța filtrul. Aerul comprimat poate duce la deteriorarea filtrului, iar solvenții vor dizolva filtrul.

Pentru informații despre întreținere, consultați **Programul de întreținere**.

Diferitele modele sunt prevăzute cu filtru de burete sau de hârtie. Unele modele ar putea avea și un prefiltru opțional, care poate fi curățat și refolosit. Comparați ilustrațiile din acest manual cu tipul montat pe motorul dvs. și efectuați operațiunile de service după cum urmează.

Filtru de aer din hârtie

1. Desfaceți elementul (elementele) de fixare (C, Figura 28).
2. Demontați capacul (A, Figura 28) și filtrul (B).
3. Pentru a face să cadă reziduurile, loviți ușor filtrul (B, Figura 28) de o suprafață tare. În cazul în care filtrul este murdar, înlocuiți-l cu un filtru nou.
4. Montați filtrul (B, Figura 28).
5. Montați capacul (A, Figura 28) cu elementul (elementele) de fixare (C). Asigurați-vă că elementul (elementele) de fixare sunt bine strânse.

Filtru de aer din hârtie - Profil jos

1. Mutați dispozitivul de blocare (A, Figura 29) pentru a debloca capacul (C).
2. Strângeți butoanele (B, Figura 29) și îndepărtați capacul (C).
3. Demontați filtrul (D, Figura 29).
4. Pentru a face să cadă reziduurile, loviți ușor filtrul (D, Figura 29) de o suprafață tare. În cazul în care filtrul este murdar, înlocuiți-l cu un filtru nou.
5. Montați filtrul (D, Figura 29).
6. Montați capacul (C, Figura 29). Mutați dispozitivul de blocare (A) în poziția blocat.

NOTĂ: Verificați etanșeitatea garniturii din spumă (E, Figura 29). Asigurați-vă că garnitura de spumă a perimetrului este așezată corect în canalul (F).

Verificați sistemul de alimentare cu combustibil



AVERTISMENT

Combustibilul și vaporii săi sunt foarte inflamabili și explozivi. Incendiul sau explozia pot provoca arsuri sau decesul.

- Păstrați combustibilul la distanță față de scânteii, flăcări deschise, flăcări de veghe, surse de căldură și alte surse de aprindere.
- Verificați frecvent conductele de combustibil, bușonul rezervorului de combustibil și racordurile pentru a vedea dacă nu prezintă fisuri sau scurgeri. Înlocuiți componentele deteriorate.
- În cazul în care se varsă combustibil, așteptați până la uscarea acestuia înainte să porniți motorul.

Sită de combustibil, dacă există

1. Demontați bușonul rezervorului de combustibil (A, Figura 30).
2. Demontați sita de combustibil (B, Figura 30).
3. Dacă filtrul de combustibil este murdar, curățați-l sau înlocuiți-l. Dacă înlocuiți filtrul de combustibil, asigurați-vă că utilizați un filtru de schimb original.

Depozitarea

Sistemul de alimentare cu combustibil

Consultați Figura: 31.

AVERTISMENT



Combustibilul și vaporii săi sunt foarte inflamabili și explozivi. Incendiul sau explozia pot provoca arsuri sau decesul.

Depozitarea combustibilului

- Deoarece flăcările de veghe sau alte surse de aprindere pot provoca explozii, depozitați combustibilul sau echipamentul la distanță de cuptoare, sobe, boilere sau alte echipamente care au flacără de veghe.

Depozitați motorul în poziție orizontală (poziția normală de lucru). Umpleți rezervorul de combustibil (A, Figura 31) cu combustibil. Pentru a permite dilatarea combustibilului, nu umpleți mai sus de gâtul rezervorului de combustibil (B).

Combustibilul își poate pierde valabilitatea atunci când este păstrat într-un recipient de depozitare mai mult de 30 de zile. Se recomandă folosirea unui aditiv pentru combustibil fără alcool și a unui tratament pe bază de etanol în recipientul de depozitare, pentru a preveni degradarea combustibilului și pentru a-l menține proaspăt.

Atunci când umpleți recipientul de combustibil cu combustibil, adăugați un aditiv pentru combustibil fără alcool, conform instrucțiunilor producătorului. Dacă benzina din motor nu a fost tratată cu aditiv pentru combustibil, ea trebuie scursă într-un recipient aprobat. Lăsați motorul să funcționeze până când rămâne fără combustibil.

Ulei de motor

Schimbați uleiul cât timp motorul este cald. Consultați secțiunea **Schimbarea uleiului de motor**.

Remediarea defecțiunilor

Asistență

Pentru asistență, contactați dealerul local sau accesați **BRIGGSandSTRATTON.COM** sau apelați **1-800-444-7774** (în SUA).

Specificații și piese de service

Specificații	Model: 10V000	Model: 12V000
Capacitate cilindrică	10.313 ci (169 cc)	12.387 ci (203 cc)
Alezaj	2.44 țoli (62 mm)	2.677 țoli (68 mm)
Cursă	2.204 țoli (56 mm)	2.204 țoli (56 mm)
Capacitate ulei	18 - 20 oz (.54 - .59 L)	18 - 20 oz (.54 - .59 L)
Reductor pentru ambreiaj umed 2:1 - Tip ulei	10W-30	10W-30
Reductor pentru ambreiaj umed 2:1 - Capacitate ulei	10 oz (.30 L)	10 oz (.30 L)
Reductor de distribuție 6:1 - Tip ulei	80W-90	80W-90
Reductor de distribuție 6:1 - Capacitate ulei	4 oz (12 L)	4 oz (12 L)
Distanță electrozi bujie	.030 țoli (.76 mm)	.030 in (.76 mm)
Cuplu bujie	180 livră-țol (20 Nm)	180 livră-țol (20 Nm)
Distanță electrozi rotor	.010 - .013 in (.25 - .35 mm)	.010 - .013 in (.25 - .35 mm)
Joc supapă de admisie	.004 - .006 in (.10 - .15 mm)	.004 - .006 in (.10 - .15 mm)
Joc supapă de evacuare	.005 - .007 in (.15 - .20 mm)	.005 - .007 in (.15 - .20 mm)

Specificații	Model: 25V000
Capacitate cilindrică	24.898 ci (408 cc)
Alezaj	3.465 țol (88 mm)
Cursă	2.638 in (67 mm)
Șurubul suportului de montare a cablului	30 livră-țol (3,4 Nm)
Șurubul dispozitivului de blocare a firelor	25 livră-țol (2,8 Nm)
Capacitate ulei	18 - 20 oz (.54 - .59 L)
Distanță electrozi bujie	.030 țoli (.76 mm)
Cuplu bujie	180 livră-țol (20 Nm)
Distanță electrozi rotor	.010 - .013 țol (.25 - .35 mm)
Joc supapă de admisie	.004 - .006 țoli (.10 - .15 mm)
Joc supapă de evacuare	.005 - .007 țol (.15 - .20 mm)

Puterea motorului va scădea cu 3,5% la fiecare 1.000 de picioare (300 de metri) deasupra nivelului mării și cu 1% la fiecare 10°F (5,6°C) peste 77°F (25°C). Motorul va funcționa satisfăcător la un unghi de până la 30°. Consultați manualul de utilizare al echipamentului pentru limitările de siguranță privind utilizarea în pantă.

Piese de schimb

Pentru a achiziționa piese de schimb Briggs & Stratton, găsiți un dealer autorizat de service la **BRIGGSandSTRATTON.COM**. Veți avea nevoie de numărul de identificare (model - tip - subtip). Consultați secțiunea **Caracteristici și comenzi** pentru a găsi numărul de identificare al motorului dvs.

Capacitate nominală

Puterea nominală brută aferentă modelelor individuale de motoare pe benzină este etichetată în conformitate cu SAE (Societatea inginerilor auto), cod J1940. Procedura de evaluare a puterii și cuplului motoarelor mici, și este clasificată în conformitate cu SAE J1995. Valorile cuplului sunt stabilite la 2.600 RPM pentru motoarele cu turația indicată pe etichetă și la 3.060 RPM pentru toate celelalte; valorile exprimate în cai putere sunt stabilite la 3.600 RPM. Curbele de variație a puterii brute pot fi vizualizate la adresa www.BRIGGSandSTRATTON.COM. Valorile puterii nete sunt determinate cu motorul având montate eșapamentul și filtrul de aer, în timp ce valorile puterii brute sunt determinate fără aceste accesorii. Puterea brută efectivă a motorului va fi mai mare decât puterea netă a motorului și este afectată, printre altele, de condițiile de funcționare din mediul ambiant și de variabilitatea specifică motorului respectiv. Dat fiind faptul că motoarele sunt montate pe o varietate largă de produse, motorul pe benzină poate să nu dezvolte puterea brută nominală atunci când este utilizat pe un anumit echipament. Această diferență se datorează unei multitudini de factori incluzând, dar fără a se limita la, varietatea de componente ale motorului (filtru de aer, eșapament, sarcină, răcire, carburator, pompă de combustibil etc.), limitele de aplicare, condițiile de funcționare din mediul ambiant (temperatură, umiditate, altitudine), precum și de variabilitatea specifică motorului respectiv. Datorită limitărilor de producție și de capacitate, este posibil ca Briggs & Stratton să înlocuiască acest motor cu unul de putere nominală mai mare.

Garanție

Garanția motorului Briggs & Stratton®

Valabilă din august 2022

Garanție limitată

Briggs & Stratton garantează că, în perioada de garanție specificată mai jos, va repara sau va înlocui în mod gratuit, cu o piesă nouă, recondiționată sau refăcută, soluția aleasă revine în responsabilitatea exclusivă a Briggs & Stratton, orice componente cu defecte de material, de manipulare sau ambele. Cheltuielile de transport pentru produsele trimise pentru a fi reparate sau înlocuite conform cu această garanție trebuie suportate de către cumpărător. Această garanție este valabilă pentru perioadele de timp și în condițiile menționate mai jos. Pentru a beneficia de service în baza garanției, găsiți cel mai apropiat dealer autorizat de service utilizând lista de dealeri la **BRIGGSandSTRATTON.COM**. Cumpărătorul trebuie să contacteze dealerul autorizat pentru service și trebuie să îi pună acestuia la dispoziție produsul pentru inspecție și testare.

Nu există alte garanții explicite. Garanțiile implicite, inclusiv cele de vandabilitate și potrivire pentru un scop anume, se limitează la un an de la cumpărare sau la perioada permisă de lege. Toate celelalte garanții implicite sunt excluse. Responsabilitatea pentru daunele accidentale sau rezultate pe cale de consecință este exclusă în măsura în care legea permite această excludere. Unele state sau țări nu permit limitarea duratei de valabilitate a unei garanții implicite, iar unele state sau țări nu permit excluderea sau limitarea daunelor accidentale sau rezultate pe cale de consecință, astfel încât este posibil ca limitările și excluderile mai sus menționate să nu se aplice în cazul dumneavoastră. Această garanție vă conferă anumite drepturi legale iar în plus puteți beneficia și de alte drepturi, care diferă de la o țară la alta și de la un stat la altul.

Termenii standard ai garanției ^{1, 2}

Vanguard®, Seria comercială

Uz personal - 36 de luni

Uz comercial - 36 de luni

Seria XR

Utilizare personală - 24 de luni

Utilizare comercială - 24 de luni

Toate celelalte motoare cu cilindri din fontă Dura-Bore™

Uz personal - 24 de luni

Uz comercial - 12 luni

Toate celelalte motoare

Uz personal - 24 de luni

Uz comercial - 3 luni

¹ Aceștia sunt termenii noștri standard de garanție, însă este posibil să publicăm ocazional termeni de garanție suplimentari, care nu existau la data publicării.

Pentru a obține termenii de garanție actualizați ai motorului dvs., accesați BRIGGSandSTRATTON.COM sau contactați un dealer autorizat de service Briggs & Stratton.

² Nu se acordă garanție pentru motoarele folosite ca sursă principală de alimentare în locul rețelelor de utilități; pentru generatoarele de rezervă folosite în scop comercial, pentru vehiculele utilitare cu o viteză de peste 25 de mile pe oră, sau pentru motoarele folosite în competiții sau pe utilaje comerciale ori de închiriat.

* În Australia - Produsele noastre sunt livrate cu garanții care nu pot fi excluse în temeiul Legii australiene privind protecția consumatorului. Aveți dreptul la înlocuire sau rambursări în cazul unei defecțiuni majore și la compensări în cazul oricărui altor daune sau deteriorări previzibile în mod rezonabil. De asemenea, aveți dreptul la reparații sau înlocuiri ale produselor dacă acestea nu sunt de calitate acceptabilă și dacă defecțiunea nu este una majoră. Pentru a beneficia de service conform garanției, localizați cel mai apropiat dealer autorizat de service folosind harta lista de dealeri de pe BRIGGSandSTRATTON.COM, apelând 1300 274 447 sau contactându-ne prin e-mail ori în scris la salesenquires@briggsandstratton.com.au. Briggs & Stratton Australia Pty Ltd, 1 Moorebank Avenue, Moorebank, NSW, Australia, 2170.

Perioada de garanție începe de la data achiziționării produsului de către primul consumator particular sau utilizator industrial final, și continuă pentru perioada de timp specificată mai sus. „Utilizare personală” înseamnă utilizare rezidențială de către un consumator privat. „Utilizare comercială” înseamnă toate celelalte utilizări, inclusiv utilizarea în scopuri comerciale, aducătoare de venituri sau chirie. În cadrul acestei polițe de garanție, un motor, odată ce a fost utilizat comercial este considerat ca fiind de uz comercial și pentru viitor.

Nu este necesară nici o înregistrare a garanției pentru a obține garanția pentru produsele Briggs & Stratton. Păstrați documentul care dovedește achiziția. Dacă nu prezentați dovada datei achiziției inițiale în momentul în care solicitați service în baza garanției, pentru a determina eligibilitatea la garanție va fi folosită data de fabricație a produsului.

Despre garanție

Această garanție acoperă exclusiv defectele de material și/sau de manoperă ale motorului și nu implică înlocuirea sau rambursarea costului echipamentului pe care a fost montat motorul. Întreținerea de rutină, reglajele, ajustările sau uzura normală nu sunt acoperite de această garanție. În mod similar, garanția nu este valabilă dacă motorul a fost modificat sau dacă numărul de serie al motorului a fost deteriorat sau îndepărtat. Această garanție nu acoperă deteriorările motorului sau problemele de performanță cauzate de:

1. folosirea altor piese decât Briggs & Stratton
2. funcționarea motorului cu ulei insuficient, contaminat sau cu caracteristici inadecvate;
3. Folosirea de combustibil contaminat sau vechi, benzină cu peste 10% etanol sau folosirea de combustibili alternativi precum gaz petrol lichefiat (GPL) sau gaz natural pe motoare care nu au fost proiectate/produse de Briggs & Stratton pentru a funcționa cu astfel de combustibili;
4. Murdăria intrată în motor din cauza întreținerii sau a reasamblării incorecte a filtrului de aer;
5. lovirea unui obiect cu lama cuțitului unei mașini cu cuțite rotative de tuns gazonul, montarea incorectă sau fără strângere adecvată a adaptoarelor cuțitelor, rotoarelor sau altor dispozitive montate pe arborele cotit, sau strângerea excesivă a curelei trapezoidale;
6. Piese sau ansamble asociate care nu sunt furnizate de Briggs & Stratton, precum ambreiaje, transmisii, comenzi ale echipamentului;
7. supraîncălzirea din cauza ierbii tăiate, noroiului, reziduurilor sau cuiburilor de rozătoare care astupă sau înfundă lamelele de răcire sau zona volantei, sau folosirea motorului fără ventilare suficientă;
8. vibrarea excesivă din cauza supraturării, fixării incorecte a motorului, cuțitelor sau rotoarelor desfăcute sau dezechilibrate, sau cuplării incorecte a componentelor echipamentului pe arborele cotit;
9. folosirea greșită, lipsa întreținerii periodice, transport, manipulare sau depozitare, instalare incorectă a motorului.

Service-ul în baza garanției este disponibil doar prin intermediul dealerilor autorizați de service Briggs & Stratton. Localizați cel mai apropiat dealer autorizat de service pe harta noastră cu dealeri de pe BRIGGSandSTRATTON.COM sau apelând 1-800-444-7774 (în SUA).

80114782 (Revizia A)

Общая информация



Данное руководство содержит информацию по технике безопасности относительно опасностей и рисков, связанных с двигателем, и способов их предотвращения. В нем также содержатся сведения о правильной эксплуатации и техническом обслуживании данного двигателя. Важно, чтобы вы прочитали, поняли и соблюдали эти инструкции. **После прочтения данного руководства следует сохранить его, чтобы в дальнейшем пользоваться им как справочником.**

ПРИМЕЧАНИЕ: Рисунки и иллюстрации в настоящем руководстве служат только для информации и могут отличаться от вида конкретной модели. Используйте рисунки, соответствующие конфигурации вашего двигателя. Если это необходимо, обращайтесь к официальному сервисному дилеру.

Запишите дату покупки, модель двигателя, его тип, данные на панели и серийный номер двигателя ожидая заказа частей на замену. Эти номера указаны на вашем двигателе. См. раздел **Конструктивные узлы и элементы управления.**

Дата покупки	
Модель/тип/отладка двигателя	
Серийный номер двигателя	

Контактная информация представительства в Европе

По вопросам, касающимся нормы выбросов в Европе, обращайтесь в наш европейский офис по адресу:

Max-Born-Straße 2, 68519 Viernheim, Германия.

Экологический стандарт Stage V (5) Европейского союза (ЕС): Значения углекислого газа (CO₂)

Показатели содержания углекислого газа для двигателей Briggs & Stratton, сертифицированных для ЕС, можно найти на веб-сайте BriggsandStratton.com, введя CO₂ в окно поиска.

Безопасность эксплуатации Предупредительные знаки опасности и сигнальные слова



Символ предупреждения об опасности обозначает информацию об опасности получения травм. С этим предупредительным знаком используются слова (**ОПАСНО**, **ПРЕДУПРЕЖДЕНИЕ** или **ВНИМАНИЕ**), указывающие на вероятность и возможную степень серьезности травмы. Кроме того, для обозначения типа опасности может использоваться знак опасности.

Слово **«ОПАСНО»** указывает на опасную ситуацию, которая, если ее не избежать, **приведет** к смертельному исходу или получению серьезных травм.

Слово **ПРЕДУПРЕЖДЕНИЕ** указывает на опасную ситуацию, которая, если ее не избежать, **может привести** к смертельному исходу или получению серьезных травм.

ОСТОРОЖНО указывает на опасную ситуацию, которая, если ее не избежать, **может привести** к получению травмы малой или средней тяжести.

ПРИМЕЧАНИЕ указывает на важную, но не имеющую отношение к опасности информацию.

Обозначения опасности и пояснения к ним

Информация об опасности получения травм.	Перед эксплуатацией и обслуживанием данного изделия внимательно прочтите руководство оператора.
Опасность пожара	Опасность взрыва

Опасность поражения электрическим током	Опасность ядовитого дыма
Опасность горячей поверхности	Опасность обратного хода
Опасность ампутации конечностей: движущиеся детали	Уровень топлива — Максимум Не допускайте переполнения

Общие положения о безопасности



ОСТОРОЖНО

Двигатели Briggs & Stratton® не предназначены и не должны использоваться в качестве привода для развлекательных и спортивных картов, детских, развлекательных или спортивных вездеходных транспортных средств, мотоциклов, транспортных средств на воздушной подушке, летательных аппаратов или транспортных средств для соревнований без получения разрешения компании Briggs & Stratton. Для получения информации о продукции для спортивных состязаний посетите сайт www.briggsracing.com. Для получения информации об использовании мотовездеходов обратитесь в центр по применению силовых установок и двигателей Briggs & Stratton, 1-866-927-3349. Неправильное использование двигателя может привести к смертельному исходу или получению серьезных травм.

Информация об утилизации

		Все упаковочные материалы, контейнеры, оработанное масло и аккумуляторные батареи необходимо утилизировать согласно нормативным требованиям.
--	--	--

Конструктивные узлы и элементы управления

Органы управления двигателем


Сравните буквы из сносок на рисунках 1, 2 и 3 с органами управления двигателем в следующем списке:

- A. Идентификационное обозначение двигателя **Модель — Тип — Код**
- B. Свеча зажигания
- C. Топливный бак и крышка
- D. Воздухоочиститель
- E. Рукоятка пускового троса
- F. Масляный щуп
- G. Маслозаливное отверстие
- H. Пробка для слива масла
- I. Глушитель, ограждение глушителя (если установлено), искроуловитель (если установлен)
- J. Управление дросселем / Отключение подачи топлива / TransportGuard™
- K. Управление заслонкой
- L. Решетка воздухозаборного отверстия
- M. Выключатель электрического запуска (если установлен)
- N. Редуктор (если установлен)

Некоторые двигатели и оборудование имеют органы дистанционного управления. Сведения о расположении и работе дистанционного управления см. в Руководстве по эксплуатации оборудования.

Знаки управления двигателем и пояснения к ним

Обороты двигателя — ВЫСОКИЕ	Обороты двигателя — НИЗКИЕ
------------------------------------	-----------------------------------

 Двигатель — ОСТАНОВ	 ВКЛ — ВЫКЛ
 Запуск двигателя Воздушная заслонка ЗАКРЫТА	 Запуск двигателя Воздушная заслонка ОТКРЫТА
 Крышка топливного бака Кран подачи топлива ОТКРЫТ	 Кран подачи топлива ЗАКРЫТ

Сборка

Изменение управления дроссельной заслонкой

Стандартный двигатель оснащен ручным управлением дроссельной заслонкой. Для управления ручным дроссельным регулятором, установите дистанционное управление дросселем или переведите на фиксированную скорость. См. инструкции, приведенные ниже.

ПРИМЕЧАНИЕ: Скорость вращения двигателя должна соответствовать техническим характеристикам производителя оборудования. При возникновении вопросов обратитесь к авторизованному сервисному дилеру компании Briggs & Stratton.

Ручное управление дроссельной заслонкой

1. Переместите рычаг управления дроссельной заслонкой / TransportGuard® (A, Рисунок 4) в положение ВЫКЛ.
2. Снимите пружину (S, Рисунок 4).

Дистанционное управление с помощью кабеля из сплетенного провода

Дистанционное управление дроссельной заслонкой с помощью кабеля из плетеного провода можно установить в одном из двух направлений: **в направлении головки цилиндра, или вперед.**

В направлении головки цилиндра

1. Переместите рычаг управления дросселем / TransportGuard™ (A, Рисунок 5) в положение ВЫКЛ.
2. С помощью гаечного ключа на 10 мм ослабьте на пол-оборота гайку (P, Рисунок 5) на рычаге управления дросселем / TransportGuard® (A).
3. Придерживая гайку крепления кабеля (J, Рисунок 6) с помощью гаечного ключа на 10 мм, ослабьте винт (K).
4. Проденьте кабель (L, Рисунок 6) через отверстие в гайке крепления кабеля (J) и затяните винт (K). Конец кабеля (L) не должен торчать из отверстия более чем на ½ дюйма (12,7 мм).
5. Ослабьте винт (I, Рисунок 6) Прикрепите кабельную муфту (N) под зажимом кабеля (M) и затяните винт (I).
6. Проверьте работу дистанционного управления дросселем. Переместите регулятор дистанционного управления дросселем из медленного в быстрое положение 2-3 раза. Убедитесь, что дистанционное управление дросселем и кабель (L, Рисунок 6) свободно перемещаются. Отрегулируйте гайку (P, Рисунок 7) по мере необходимости для достижения заданного положения.

Вперед

1. Отрегулируйте рычаг управления дросселем / TransportGuard™:
 - a. **Для моделей двигателей 10V000 и 12V000:** Переместите рычаг управления дроссельной заслонкой / TransportGuard® (A, Рисунок 8) в положение БЫСТР.
 - b. **Для моделей двигателей 25V000:** Переместите рычаг управления дросселем / TransportGuard™ (A, Рисунок 8) в положение ВЫКЛ.
2. С помощью гаечного ключа на 10 мм ослабьте на пол-оборота гайку (P, Рисунок 7) на рычаге управления дросселем / TransportGuard® (A).
3. Придерживая гайку крепления кабеля (J, Рисунок 8) с помощью гаечного ключа на 10 мм, ослабьте винт.
4. Проденьте кабель (L, Рисунок 8) через отверстие в гайке крепления кабеля (J) и затяните винт (K). Конец кабеля (L) не должен торчать из отверстия более чем на ½ дюйма (12,7 мм).
5. Ослабьте винт (I, Рисунок 8) Закрепите кабельную муфту (N) под зажимом кабеля (M) и затяните винт (I).

6. Проверьте работу дистанционного управления дросселем. Переместите регулятор дистанционного управления дросселем из медленного в быстрое положение 2-3 раза. Убедитесь, что дистанционное управление дросселем и кабель (L, 8) свободно перемещаются. Отрегулируйте гайку (P, Рисунок 7) по мере необходимости для достижения заданного положения.

Дистанционное управление с помощью кабеля из одножильного провода

Дистанционное управление дроссельной заслонкой с помощью одножильного кабеля можно установить в одном из четырех направлений; **в направлении головки цилиндра, вперед, влево или вправо.**

В направлении головки цилиндра

1. Переместите рычаг управления дроссельной заслонкой / TransportGuard® (A, Рисунок 9) в положение ВЫКЛ.
2. Снимите пружину (S, Рисунок 9).
3. Переместите рычаг управления дроссельной заслонкой / TransportGuard® (A, Рисунок 9) в положение БЫСТР.
4. С помощью гаечного ключа на 10 мм ослабьте на пол-оборота гайку (P, Рисунок 4) на рычаге управления дросселем / TransportGuard® (A).
5. Установите Z-образное соединение одножильного кабеля (Q, Рисунок 9) в любое из маленьких отверстий на кривошипе (R).
6. Ослабьте винт (I, Рисунок 9) Прикрепите кабельную муфту (N) под зажимом кабеля (M) и затяните винт (I).
7. Проверьте работу дистанционного управления дросселем. Переместите регулятор дистанционного управления дросселем из медленного в быстрое положение 2-3 раза. Убедитесь, что дистанционное управление дросселем и кабель (L, Рисунок 9) свободно перемещаются. Отрегулируйте гайку (P, Рисунок 4) по мере необходимости для достижения заданного положения.

Вперед

1. Переместите рычаг управления дроссельной заслонкой / TransportGuard® (A, Рисунок 10) в положение ВЫКЛ.
2. Снимите пружину (S, Рисунок 10).
3. Переместите рычаг управления дроссельной заслонкой / TransportGuard® (A, Рисунок 10) в положение БЫСТР.
4. С помощью гаечного ключа на 10 мм ослабьте на пол-оборота гайку (P, Рисунок 4) на рычаге управления дросселем / TransportGuard® (A).
5. Установите Z-образное соединение одножильного кабеля (Q, Рисунок 10) в любое из двух маленьких отверстий на кривошипе (R).
6. Ослабьте винт (I, Рисунок 10). Закрепите кабельную муфту (N) под зажимом кабеля (M) и затяните винт (I).
7. Проверьте работу дистанционного управления дросселем. Переместите регулятор дистанционного управления дросселем из медленного в быстрое положение 2-3 раза. Убедитесь, что дистанционное управление дросселем и кабель (L, Рисунок 10) свободно перемещаются. Отрегулируйте гайку (P, Рисунок 4) по мере необходимости для достижения заданного положения.

Влево

1. Переместите рычаг управления дроссельной заслонкой / TransportGuard® (A, Рисунок 11) в положение ВЫКЛ.
2. Снимите пружину (S, Рисунок 4).
3. Переместите рычаг управления дроссельной заслонкой / TransportGuard® (A, Рисунок 11) в положение БЫСТР.
4. С помощью гаечного ключа на 10 мм ослабьте на пол-оборота гайку (P, Рисунок 4) на рычаге управления дросселем / TransportGuard® (A, Рисунок 11).
5. Снимите переключатель управления дроссельной заслонкой (W, Рисунок 11), чтобы открыть доступ к небольшому отверстию (S).
6. Установите Z-образное соединение одножильного кабеля (L, Рисунок 11) в небольшое отверстие (S) на рычаге управления дросселем (A).
7. Ослабьте винт (I, Рисунок 11) Закрепите кабельную муфту (N) под зажимом кабеля (M) и затяните винт (I).
8. Проверьте работу дистанционного управления дросселем. Переместите регулятор дистанционного управления дросселем из медленного в быстрое положение 2-3 раза. Убедитесь, что дистанционное управление дросселем и кабель (L, Рисунок 11) свободно перемещаются. Отрегулируйте гайку (P, Рисунок 4) по мере необходимости для достижения заданного положения.

вправо

Чтобы установить рычаг дистанционного управления дроссельной заслонкой в правильное направление, требуется кронштейн для крепления кабеля (U, Рисунок 12). Номер детали см. в разделе «**Технические характеристики и запасные части**». Чтобы приобрести монтажный кронштейн для кабеля, обратитесь к официальному сервисному дилеру Briggs & Stratton.

1. Переместите рычаг управления дроссельной заслонкой / TransportGuard® (A, Рисунок 12) в положение ВЫКЛ.
2. Снимите пружину (S, Рисунок 4).
3. Снимите переключатель управления дроссельной заслонкой (W, Рисунок 12), чтобы открыть доступ к небольшому отверстию (S).
4. Переместите рычаг управления дроссельной заслонкой / TransportGuard® (A, Рисунок 12) в положение БЫСТР.
5. С помощью гаечного ключа на 10 мм ослабьте на пол-оборота гайку (P, Рисунок 4) на рычаге управления дросселем / TransportGuard® (A, 12).
6. Установите Z-образное соединение одножильного кабеля (L, Рисунок 12) в небольшое отверстие (S) на рычаге управления дросселем (A).
7. Открутите болт (Т, Рисунок 12). Установите монтажный кронштейн для кабеля (U) как показано. Закрепите кронштейн для крепления кабеля (U) болтом (Т). Затяните болт (Т) с усилием до 30 фунт-дюйм (3,4 Нм). См. раздел «Технические характеристики и запасные части».
8. Ослабьте винт (I, Рисунок 12) Закрепите кабельную муфту (N) под зажимом кабеля (M) и затяните винт (I).
9. Проверьте работу дистанционного управления дросселем. Переместите регулятор дистанционного управления дросселем из медленного в быстрое положение 2-3 раза. Убедитесь, что дистанционное управление дросселем и кабель (L, Рисунок 12) свободно перемещаются. Отрегулируйте гайку (P, Рисунок 4) по мере необходимости для достижения заданного положения.

Фиксированная скорость двигателя (без кабеля управления дроссельной заслонкой)

При установке **фиксированной скорости двигателя** кабель управления дроссельной заслонкой не установлен и скорость не выбрана. БЫСТРЫЙ режим — это единственный режим работы двигателя.

1. Переместите рычаг управления дроссельной заслонкой / TransportGuard® (A, Рисунок 13) в положение ВЫКЛ.
2. Снимите пружину (S, Рисунок 13).
3. Переместите рычаг управления дроссельной заслонкой / TransportGuard® (A, Рисунок 13) в положение БЫСТР.
4. Убедитесь в том, что винт (V, Рисунок 13) совпадает с отверстием в кронштейне. Затяните винт (V) до 25 фунт-дюйм (2,8 Нм).
5. Снимите тягу управления (H, Рисунок 13).

ПРИМЕЧАНИЕ: Теперь рычаг управления дроссельной заслонкой / TransportGuard® будет иметь только два положения: ОСТАНОВ/ВЫКЛ. и РАБОТА.

6. Поверх имеющейся наклейки регулировки частоты вращения на декоративной панели (F) поместите новую наклейку ВКЛ./ВЫКЛ. TransportGuard® (O, Рисунок 14).

Эксплуатация



ОСТОРОЖНО Топливо и его пары легко воспламеняются и взрывоопасны. Воспламенение или взрыв может привести к тяжелым ожогам или смертельному исходу.

Если вы почувствовали запах газа

- Не запускайте двигатель.
- Не включайте электрические выключатели.
- Не пользуйтесь телефоном поблизости.
- удалите людей с территории.
- Свяжитесь с пожарной службой.

При эксплуатации оборудования

- Не наклоняйте двигатель или оборудование на угол, при котором может произойти разлив топлива.

При перемещении оборудования в другое место

- Убедитесь, что топливный бак ПУСТ и кран подачи топлива, если он имеется, находится в положении ЗАКРЫТ.

Проверьте уровень масла.

Перед проверкой уровня или доливом масла

- Убедитесь, что двигатель установлен горизонтально.
- Очистите область масла от загрязнений.
- Информацию о вместимости масляного бака см. в разделе **Технические характеристики**.

ПРИМЕЧАНИЕ

Данный двигатель поставляется компанией Briggs & Stratton без масла. Изготовители оборудования или дилеры могут залить масло в двигатель. Перед первым запуском двигателя убедитесь, что уровень масла находится на надлежащей отметке. Долейте масло в соответствии с инструкциями в данном руководстве. Гарантия не покрывает повреждения двигателя, вызванные его запуском без масла.

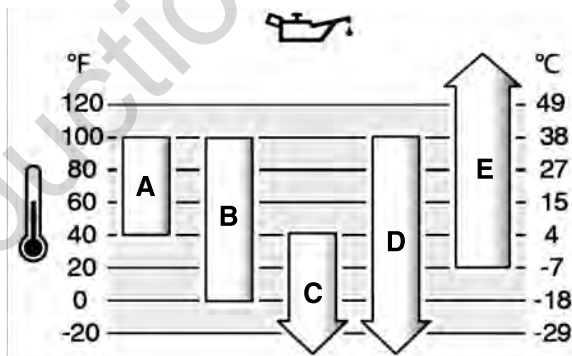
1. Извлеките масляный щуп (A, Рисунок 15) и вытрите его тряпкой.
2. Установите и затяните масляный щуп (A, рисунок 15).
3. Извлеките масляный щуп и проверьте уровень масла. Убедитесь, что уровень масла находится на отметке в верхней части индикатора (B, рисунок 15) масляного щупа.
4. Двигатель имеет два маслосливных отверстия (C, G, Рисунок 16). В случае низкого уровня масла медленно долейте масло в маслосливную горловину двигателя (C, G). Не следует добавлять чрезмерное количество масла. После добавления масла подождите одну минуту и снова проверьте его уровень. Убедитесь, что уровень масла находится на соответствующей отметке индикатора.
5. Установите и затяните масляный щуп (A, рисунок 15).

Рекомендации по использованию масла

Емкость масляной системы: См. раздел **Технические характеристики**.

Мы рекомендуем использовать сертифицированные масла компании Briggs & Stratton® для наилучшей работы двигателя. Могут использоваться другие высококачественные детергентные масла, если они имеют категорию SF, SG, SH, SJ или выше. Не используйте специальные присадки.

Воспользуйтесь таблицей для выбора лучшей вязкости для предполагаемого диапазона температур окружающей среды. Для большинства двигателей силового оборудования, используемого на открытом воздухе, хорошо подходит синтетическое масло 5W-30. Наиболее эффективную защиту оборудования, эксплуатируемого при высоких температурах, обеспечивает синтетическое масло Vanguard® 15W-50.



A	SAE 30 - использование масла SAE 30 при температуре ниже 40 °F (4 °C) приведет к затрудненному запуску двигателя.
B	10W-30 - использование масла 10W-30 при температуре выше 80 °F (27 °C) может привести к повышенному расходу масла. Выполняйте регулярную проверку уровня масла.
C	5W-30
D	Синтетическое 5W-30
E	Синтетическое масло Vanguard® 15W-50

Система защиты от низкого уровня масла (если установлена)

Некоторые двигатели оснащены датчиком низкого уровня масла. В случае низкого уровня масла загорается лампа предупреждения или происходит остановка двигателя. Остановите двигатель и выполните следующие действия перед его повторным запуском.

- Убедитесь, что двигатель установлен горизонтально.
- Проверьте уровень масла. См. раздел **Проверка уровня масла**.
- В случае низкого уровня долейте соответствующее количество масла. Запустите двигатель и убедитесь, что лампа предупреждения (при наличии) не загорается.
- В случае нормального уровня масла не запускайте двигатель. Обратитесь к официальному сервисному дилеру компании Briggs & Stratton для устранения проблемы с маслом.

Рекомендации по топливу

Топливо должно отвечать следующим требованиям:

- Чистый, свежий, неэтилированный бензин.

- Октановое число не менее 87 ОЧ/87 (91 ОЧИ). См. информацию ниже касательно использования на большой высоте над уровнем моря.
- Разрешается использовать бензин с содержанием этилового спирта до 10 % (бензоспирт).

ПРИМЕЧАНИЕ

Не используйте неразрешенные марки бензина, например E15 и E85. Не добавляйте масло в бензин и не переводите двигатель на альтернативные виды топлива. Использование топлива неразрешенных марок может вызвать повреждения компонентов двигателя, на которые не будут распространяться гарантийные обязательства.

Чтобы избежать образования смолистых отложений в топливной системе и коррозии, добавляйте в топливо не содержащий спирта стабилизатор топлива и этанол. См. раздел **Хранение**. Не все виды топлива одинаковы. Если вы испытываете проблемы при запуске или работе двигателя, попробуйте использовать топливо от другого поставщика или другой марки. Этот двигатель сертифицирован для работы на бензине. Система контроля выхлопа отработанных газов для карбюраторных двигателей — EM (модификации двигателя). Системы контроля выбросов для двигателей с электронным впрыском топлива — ЕСМ (модуль управления двигателем), MFI (многоточечный впрыск топлива), TBI (впрыск топлива в корпусе дроссельных заслонок) и O2S (датчик кислорода) (если установлен).

Большая высота над уровнем моря

При работе на высоте более 5000 футов (1524 метров) над уровнем моря допускается использование бензина с октановым числом не менее 85 ОЧ/85 (89 ОЧИ).

Карбюраторные двигатели необходимо регулировать в случае эксплуатации на большой высоте. Эксплуатация без такой регулировки приведет к ухудшению работы, повышенному потреблению топлива и повышению токсичности выхлопа. За информацией о регулировке двигателя для работы на большой высоте над уровнем моря обратитесь к официальному сервисному дилеру Briggs & Stratton. Не рекомендуется эксплуатация двигателя, отрегулированного для большой высоты, на высоте ниже 2 500 футов (762 метров).

Для двигателей с впрыском топлива с электронным управлением (ЭВТ) высотная регулировка не требуется.

Заправка топливом



ОСТОРОЖНО

Топливо и его пары легко воспламеняются и взрывоопасны. Воспламенение или взрыв может привести к тяжелым ожогам или смертельному исходу.

При доливе топлива

- Выключите двигатель. Перед снятием крышки топливозаправочной горловины, дайте двигателю остыть в течение, по меньшей мере, 2 (двух) минут.
 - Заполняйте топливный бак на открытом воздухе или в хорошо вентилируемой зоне.
 - Не заливайте в бак избыточное количество топлива. Чтобы учесть тепловое расширение топлива, не заполняйте топливный бак выше нижней части горловины.
 - Храните топливо вдали от источников искр, открытого огня, зажженных горелок и других источников возгорания.
 - Регулярно и часто проверяйте топливопроводы, топливный бак, крышку и патрубки на наличие трещин и протечек. Заменяйте поврежденные детали.
 - Если топливо пролилось, дождитесь пока оно испарится, прежде чем заводить двигатель.
1. Очистите область вокруг крышки топливного бака от грязи и мусора. Снимите крышку топливного бака.
 2. Залейте топливо в топливный бак (А, Рисунок 17). Учитывая тепловое расширение топлива, не заполняйте бак выше уровня нижней части горловины (В).
 3. Установите крышку топливного бака.

Запуск двигателя



ОСТОРОЖНО

ОПАСНОСТЬ ОТРАВЛЕНИЯ ЯДОВИТЫМИ ГАЗАМИ. Выхлопные газы содержат окись углерода — ядовитый газ, который может убить за считанные минуты. Даже если запах выхлопных газов не чувствуется, опасность вдыхания угарного газа существует. Если во время эксплуатации данного изделия вы почувствовали тошноту или начали испытывать головокружение или слабость, выключите его и НЕМЕДЛЕННО выйдите на свежий воздух. Обратитесь к врачу. Возможно, вы отравились угарным газом.

- Угарный газ может накапливаться в закрытых пространствах. В целях сокращения риска накопления угарного газа, эксплуатируйте данное изделие ТОЛЬКО вне помещений и вдали от окон, дверей и вентиляционных отверстий.
- В соответствии с указаниями производителя в помещениях следует установить датчики оксида углерода (угарного газа), работающие от батарей или от сети с аварийным аккумуляторным источником питания. Аварийные датчики дыма не определяют наличие угарного газа.
- ЗАПРЕЩАЕТСЯ эксплуатировать данное изделие в домах, гаражах, подвалах, туннелях, сараях и других закрытых пространствах, даже при использовании вентиляторов или при открытых окнах и дверях для вентиляции. После начала эксплуатации данного изделия угарный газ может быстро накапливаться в таких пространствах и оставаться в них часами.
- ВСЕГДА размещайте данный продукт по ветру, чтобы выхлопные газы двигателя уносились в сторону от зон пребывания людей.



ОСТОРОЖНО

Топливо и его пары легко воспламеняются и взрывоопасны. Воспламенение или взрыв может привести к тяжелым ожогам или смертельному исходу.

При запуске двигателя

- Убедитесь, что свеча зажигания, глушитель, крышка топливного бака и воздушный фильтр (при наличии) установлены правильно.
- Не заводите двигатель рукоятку при отключенном проводе свечи зажигания.
- Если карбюратор двигателя был переобогащен топливной смесью, то установите рычаг управления воздушной заслонкой (если имеется) в положение ОТКРЫТ или РАБОТА. Установите рычаг управления дросселем (при наличии) в положение БЫСТРО и проворачивайте двигатель до тех пор, пока он не запустится.
- Если в зоне работ есть утечка природного или сжиженного углеводородного газа, не запускайте двигатель.
- Не используйте находящиеся под давлением пусковые жидкости, поскольку их пары легко воспламеняются.



ОСТОРОЖНО

Вращающиеся детали могут захватывать и затягивать руки, ноги, волосы, одежду и украшения, что может привести к травматической ампутации или тяжелым рваным ранам.

- Эксплуатируйте оборудование с правильно установленными защитными приспособлениями.
- Держите руки и ноги вдали от вращающихся частей оборудования.
- Снимайте украшения и собирайте длинные волосы в хвост, чтобы они находились вдали от движущихся/вращающихся деталей.
- Не надевайте свободную одежду или предметы, которые могут быть захвачены движущимися деталями.



ОСТОРОЖНО

Быстрое втягивание пускового троса (обратный ход) может притянуть руку к двигателю быстрее, чем вы успеете отпустить трос. Это может привести к переломам, ушибам или растяжениям.

- При запуске двигателя медленно потяните за пусковой трос, пока не почувствуете сопротивление, а затем быстро дерните, чтобы избежать обратного хода троса.
- Перед запуском двигателя отключите или снимите все внешнее оборудование и нагрузки на двигатель.
- Убедитесь, что элементы оборудования, которые непосредственно подсоединены к двигателю, например, среди прочего, ножи, крыльчатки, шкивы, звездочки и т. д. надежно прикреплены.

ПРИМЕЧАНИЕ: Ваше оборудование может быть оснащено органами дистанционного управления. Сведения о расположении и работе органов дистанционного управления представлены в руководстве по эксплуатации оборудования.

1. Проверьте моторное масло. См. раздел **Проверка уровня масла**.
 2. Убедитесь, что рычаги управления приводом оборудования, если они установлены, отключены.
 3. Переместите рычаг управления дросселем / TransportGuard® (А, Рисунок 18), если таковой имеется, в положение БЫСТР или РАБОТА. Эксплуатируйте двигатель в положении БЫСТР или РАБОТА.
 4. Переместите рычаг управления воздушной заслонкой (В, Рисунок 18) в положение ЗАКРЫТ.
- При повторном запуске еще теплого двигателя обычно нет необходимости в воздушной заслонке.
5. **Ручной запуск, если он предусмотрен.** Крепко возьмитесь за рукоятку троса стартера (С, Рисунок 18). Медленно потяните за рукоятку троса стартера, пока не почувствуете сопротивление, и затем резко дерните.

ОСТОРОЖНО

Быстрое втягивание пускового троса (обратный ход) может притянуть руку к двигателю быстрее, чем вы успеете отпустить трос. Это может привести к переломам, ушибам или растяжениям.

- При запуске двигателя медленно потяните за пусковой трос, пока не почувствуете сопротивление, а затем быстро дерните, чтобы избежать обратного хода троса.
 - Перед запуском двигателя отключите или снимите все внешнее оборудование и нагрузки на двигатель.
 - Убедитесь, что элементы оборудования, которые непосредственно подсоединены к двигателю, например, среди прочего, ножи, крыльчатки, шкивы, звездочки и т. д. надежно прикреплены.
6. **Запуск при наличии стартера.** Поверните ручку выключателя электростартера (D, Рисунок 18) в положение ПУСК.

ПРИМЕЧАНИЕ

Чтобы продлить срок службы стартера, используйте короткие циклы запуска (максимум пять секунд). Подождите одну минуту между циклами запуска.

7. Когда двигатель разогреется, переместите рычаг управления воздушной заслонкой (В, Рисунок 18) в положение ОТКРЫТО.

Если двигатель не запускается после 2–3 попыток, обратитесь к местному дилеру, перейдя по ссылке: vanguardpower.com или позвоните по номеру: 1-800-999-9333 (в США).

Остановка двигателя

ОСТОРОЖНО  Топливо и его пары легко воспламеняются и взрывоопасны. Воспламенение или взрыв может привести к тяжелым ожогам или смертельному исходу.


- Не перекрывайте заслонку карбюратора (при наличии), чтобы остановить двигатель.

Рычаг управления дроссельной заслонкой / TransportGuard®: Переместите орган управления дроссельной заслонкой / TransportGuard® (А, Рисунок 19) в положение ВЫКЛ. или ОСТАНОВ.

ПРИМЕЧАНИЕ: Когда рычаг управления дроссельной заслонкой / TransportGuard® (А, Рисунок 19) находится в положении ВЫКЛ. или ОСТАНОВ, топливный клапан находится в положении ВЫКЛ. Всегда устанавливайте рычаг управления дроссельной заслонкой / TransportGuard® в положение ВЫКЛ. или ОСТАНОВ при транспортировке оборудования.

ПРИМЕЧАНИЕ: Ключ (D, Рисунок 19) не останавливает двигатель. Ключ ТОЛЬКО запускает двигатель. Всегда извлекайте ключ (D) и храните его в безопасном, не доступном для детей месте.

Техническое обслуживание Информация по техническому обслуживанию

ОСТОРОЖНО  Топливо и его пары легко воспламеняются и взрывоопасны. Воспламенение или взрыв может привести к тяжелым ожогам или смертельному исходу.

Если при выполнении техобслуживания двигатель нужно наклонить, убедитесь, что топливный бак, если он установлен на двигателе, опорожнен, а сторона двигателя со свечей зажигания обращена вверх. Если топливный бак не опорожнен, топливо может протечь и вызвать воспламенение или взрыв. В случае наклона двигателя в другом направлении, в дальнейшем могут возникнуть проблемы с его запуском из-за загрязнения воздушного фильтра и/или свечи зажигания маслом или топливом.


ОСТОРОЖНО  Случайная искра в двигателе может привести к удару электрическим током, возгоранию или взрыву, а также к случайному запуску двигателя, что может стать причиной затягивания конечностей, травматической ампутации или рваной раны.

Перед проведением регулировки или ремонта:

- Отсоедините все провода свечей зажигания и удалите их от свечей.
- Отключите провод аккумуляторной батареи на отрицательной клемме (только на двигателях с электрическим запуском).
- Используйте только подходящие инструменты.

При проверке наличия искры:

- Используйте утвержденный прибор для тестирования свечи зажигания.
- Не проверяйте наличие искры с вынутой свечой зажигания.

ОСТОРОЖНО  Запасные части должны иметь такую же конструкцию и устанавливаться в том же положении, что и оригинальные детали. Использование других запасных частей может привести к повреждению оборудования или травмам.

ПРИМЕЧАНИЕ

Для надлежащей работы данного двигателя все компоненты, используемые в его конструкции, должны оставаться на своих местах.

Обращайтесь к официальному сервисному дилеру компании Briggs & Stratton для выполнения всех работ по техническому обслуживанию двигателя и его компонентов.

Обслуживание элементов контроля выбросов

По вопросам технического обслуживания, замены или ремонта устройств или систем для снижения токсичности выхлопа обратитесь в сертифицированную мастерскую по ремонту внедорожных двигателей или к профессиональному специалисту по обслуживанию. Однако для получения «бесплатного» обслуживания систем контроля выхлопа такие работы должны проводиться в сервисном центре официального дилера. См. «Заявления по контролю выхлопа».

График технического обслуживания

Первые 5 часов
<ul style="list-style-type: none">• Смена масла.
Интервалы составляют 8 часов или ежедневно
<ul style="list-style-type: none">• Проверьте уровень масла в двигателе.• Очистка зоны вокруг глушителя и ручек управления.• Очистка решетки воздухозаборного отверстия.
Интервалы составляют 100 часов или раз в год
<ul style="list-style-type: none">• Обслуживание выхлопной системы.• Замените масло в редукторе (если он установлен).
Интервалы составляют 200 часов или раз в год
<ul style="list-style-type: none">• Замена моторного масла.• Очистка воздушного фильтра¹.
Интервалы составляют 600 часов или раз в 3 года
<ul style="list-style-type: none">• Замените воздушный фильтр.

Раз в год
<ul style="list-style-type: none"> • Замена свечи зажигания. • Обслуживание топливной системы. • Обслуживание системы охлаждения¹. • Проверьте зазор предохранительного клапана².

¹Проводите более частую чистку в условиях повышенной запыленности или при наличии большого количества частиц в воздухе.

²Не требуется при отсутствии проблем с двигателем.

Карбюратор и число оборотов двигателя

Не изменяйте настройки карбюратора, пружины регулятора, тяг и иных деталей, чтобы изменить число оборотов двигателя. В случае необходимости какой-либо регулировки обратитесь к официальному сервисному дилеру компании Briggs & Stratton.

ПРИМЕЧАНИЕ

Производитель оборудования устанавливает максимальное число оборотов двигателя, который установлен на оборудовании. Запрещается превышать эту скорость. Если вы не знаете, каково максимальное число оборотов для данного оборудования или какое число оборотов двигателя было установлено на заводе-изготовителе, обратитесь за поддержкой к официальному сервисному дилеру компании Briggs & Stratton. Для безопасной и надежной работы данного оборудования регулировка числа оборотов двигателя должна выполняться только квалифицированным техником по обслуживанию.

Обслуживание свечи зажигания

Проверьте зазор свечи зажигания (А, рисунок 20) с помощью проволочного калибра (В). При необходимости, отрегулируйте зазор свечи зажигания. Установите и затяните свечу зажигания до правильного момента затяжки. Значения зазора и момента затяжки указаны в разделе *Технические характеристики*.

Обслуживание выпускной и охлаждающей систем



ОСТОРОЖНО Двигатель и глушитель становятся очень горячими во время эксплуатации. Не прикасайтесь к горячему двигателю во избежание получения ожогов.

Воспламеняемый мусор, например, листья, трава, сухая поросль и т. д. могут служить источником пожара.

- Прежде чем прикасаться к двигателю или глушителю, заглушите двигатель и подождите 2 (две) минуты. Убедитесь, что к двигателю и глушителю можно безопасно прикасаться.
- Удалите мусор с глушителя и двигателя.

Использование или эксплуатация двигателя на территории, покрытой лесом, кустарниками или травой, без оснащения системы выхлопных газов искрогасителем и поддержки его в рабочем состоянии, является нарушением раздела 4442 кодекса Public Resource Code штата Калифорния. Другие штаты или федеральные юрисдикции могут иметь аналогичные законы, см. Федеральный регламент 36 CFR Часть 261.52. Для приобретения искрогасителя, рассчитанного на выхлопную систему, которая установлена на двигателе, обратитесь к производителю оригинального оборудования, розничному продавцу или дилеру.

Охлаждение данного двигателя осуществляется воздухом. Грязь или посторонний материал могут препятствовать потоку воздуха и вызвать перегрев двигателя. Это приводит к неудовлетворительной работе и сокращает срок службы двигателя. На ребрах охлаждения цилиндра может скапливаться посторонний материал, который невозможно удалить без частичной разборки двигателя. Убедитесь, что официальный сервисный дилер Briggs & Stratton осмотрел и очистил систему воздушного охлаждения. См. раздел *График технического обслуживания*.

1. Убедитесь в отсутствии горячих материалов вокруг и позади глушителя.
2. С помощью щетки или сухой ветоши удалите весь ненужный материал с крышки корпуса нагнетателя, глушителя и зоны цилиндра. НЕ используйте воду для очистки двигателя.
3. Убедитесь, что соединения, пружины и элементы управления чистые.
4. Осмотрите глушитель на предмет наличия трещин, коррозии или других повреждений.
5. Снимите искроуловитель, если установлен, и осмотрите на наличие повреждений или скопившегося нагара. Убедитесь, что сменные детали очищены или установлены до начала эксплуатации оборудования.
6. Убедитесь, что ребра масляного радиатора поддерживаются в чистоте (если он установлен).

Замените моторное масло



ОСТОРОЖНО

Топливо и его пары легко воспламеняются и взрывоопасны. Воспламенение или взрыв может привести к тяжелым ожогам или смертельному исходу.

Двигатель и глушитель становятся очень горячими во время эксплуатации. Не прикасайтесь к горячему двигателю во избежание получения ожогов.

- Если вы сливаете масло через верхний маслосливной патрубок, топливный бак должен быть пустым. Если топливный бак не опорожнен, топливо может протечь и вызвать воспламенение или взрыв.
- Прежде чем прикасаться к двигателю или глушителю, заглушите двигатель и подождите 2 (две) минуты. Убедитесь, что к двигателю и глушителю можно безопасно прикасаться.

Использованное масло относится к опасным видам отходов и должно быть утилизировано должным образом. Его не следует утилизировать как обычные бытовые отходы. По вопросам безопасной утилизации и повторной переработки обращайтесь в местные органы, сервисный центр или к дилеру.

В моделях с технологией **Just Check & Add™** замена масла не требуется. Если замена масла требуется, см. приведенную ниже процедуру.

Слив масла

1. Когда двигатель выключен, но еще не остыл, отсоедините провода свечей зажигания (D, Рисунок 21) и отведите их от свечей (E).
2. Извлеките масляный щуп (А, рисунок 22).
3. Двигатель имеет две маслосливные пробки (H, F, Рисунок 23). Выкрутите маслосливные пробки (H, F). Слейте масло в подходящую для этого емкость.
4. Установите и затяните маслосливные пробки (H, F, Рисунок 23).

Долив масла

- Убедитесь, что двигатель установлен горизонтально.
- Очистите область вокруг маслосливной горловины от любого постороннего материала.
- Информацию о емкости масляной системы см. в разделе *Технические характеристики*.

1. Извлеките щуп. См. раздел *Слив масла*.
2. Медленно добавьте масло в маслосливную горловину двигателя (С, G, Рисунок 24). Не следует добавлять чрезмерное количество масла.
3. Подождите одну минуту, а затем проверьте уровень масла.
4. Вставьте щуп.
5. Извлеките масляный щуп и проверьте уровень масла. Правильный уровень масла обозначен в верхней части индикатора заполнения на масляном щупе. См. раздел *Проверка уровня масла*.
6. Снова вставьте и закрутите масляный щуп.
7. Подсоедините провод(-а) свечи(-ей) зажигания к свече(-ам) зажигания. См. раздел *Слив масла*.

Замена масла зубчатого редуктора

Некоторые двигатели оснащены редуктором. При наличии редукторов выполните следующие действия для одного из редукторов.

Цепной редуктор 2:1

Если двигатель установлен с цепным редуктором 2:1 (G, Рис. 25), замена масла не требуется. Масло в двигателе также обеспечивает и смазку цепного редуктора.

Редуктор с мокрым сцеплением 2:1

Если двигатель оснащен редуктором с мокрым сцеплением 2:1, то выполните следующие шаги:

1. Извлеките масляный щуп (А, рисунок 26).
2. Снимите дренажную пробку (В, Рисунок 26) и слейте масло в соответствующую емкость.
3. Установите и затяните маслосливную пробку (В, Рисунок 26).
4. Медленно залейте масло в маслосливное отверстие (С, Рисунок 26). Смотрите раздел *Технические характеристики*.
5. Вставьте масляный щуп (А, Рис. 26).
6. Извлеките масляный щуп (А, Рисунок 26) и проверьте уровень масла. Правильный уровень масла обозначен в верхней части индикатора заполнения (D) на масляном щупе.
7. Вставьте масляный щуп (А, Рис. 26).

Зубчатый редуктор 6:1

Если двигатель оснащен редуктором с зубчатой передачей 6:1, то выполните следующие шаги:

1. Выкрутите маслосливную пробку (А, Рис. 27) и пробку для замера уровня масла (В).
2. Снимите маслосливную пробку (С, Рис. 27) и слейте масло в соответствующую емкость.
3. Установите и затяните маслосливную пробку (С, Рис. 27).
4. Медленно добавьте редукторное масло (80W-90) в маслосливное отверстие (D, Рис. 27). Продолжайте добавлять редукторное масло (80W-90) до тех пор, пока масло не появится из контрольного отверстия уровня масла (Е).
5. Установите и затяните пробку для замера уровня масла (В, Рис. 27).
6. Установите и затяните маслосливную пробку (А, Рис. 27).

ПРИМЕЧАНИЕ: Маслосливная пробка (А, Рис. 27) имеет вентиляционное отверстие (F) и должна быть установлена в верхней части крышки редуктора, как показано на рисунке.

Техническое обслуживание воздушного фильтра

ОСТОРОЖНО

Топливо и его пары легко воспламеняются и взрывоопасны. Воспламенение или взрыв может привести к тяжелым ожогам или смертельному исходу.

- Никогда не запускайте и не эксплуатируйте двигатель со снятой системой очистки воздуха или воздушным фильтром (при их наличии).

ПРИМЕЧАНИЕ

Не используйте сжатый воздух или растворители для чистки фильтра. Сжатый воздух может повредить фильтр, а растворители — привести к его разложению.

Требования к обслуживанию представлены в разделе *График технического обслуживания*.

В различных моделях используется либо поролоновый, либо бумажный фильтр. Некоторые модели также оборудованы фильтром предварительной очистки, который можно использовать повторно после очистки. Сравните иллюстрации в настоящем руководстве со своим двигателем и выполните обслуживание как изложено ниже.

Бумажный воздушный фильтр

1. Ослабьте крепление(-я) (С, Рис. 28).
2. Снимите крышку (А, Рис. 28) и извлеките фильтр (В).
3. Чтобы высвободить попавший в него мусор, слегка постучите фильтром (В, Рис.28) по твердой поверхности. Если фильтр загрязнен, замените его новым фильтром.
4. Установите фильтр (В, Рис. 28).
5. Установите крышку (А, Рис. 28) и зафиксируйте крепежным(и) элементом(-ами) (С). Убедитесь, что крепления затянуты.

Бумажный воздушный фильтр, низкопрофильный

1. Переместите защелку (А, Рисунок 29), чтобы разблокировать крышку (С).
2. Нажмите на выступы (В, Рисунок 29) и снимите крышку (С).
3. Извлеките фильтр (D, Рисунок 29).
4. Чтобы высвободить попавший в него мусор, слегка постучите фильтром (D, Рисунок 29) по твердой поверхности. Если фильтр загрязнен, замените его новым фильтром.
5. Установите фильтр (D, Рисунок 29).
6. Установите крышку (С, Рисунок 29). Переместите защелку (А) в заблокированное положение.

ПРИМЕЧАНИЕ: Проверьте прилегание поролонового уплотнения (Е, Рисунок 29). Убедитесь, что поролоновое уплотнение по периметру правильно установлено в канале (F).

Обслуживание топливной системы

ОСТОРОЖНО

Топливо и его пары легко воспламеняются и взрывоопасны. Воспламенение или взрыв может привести к тяжелым ожогам или смертельному исходу.

- Храните топливо вдали от источников искр, открытого огня, зажженных горелок и других источников возгорания.
- Регулярно и часто проверяйте топливопроводы, топливный бак, крышку и патрубки на наличие трещин и протечек. Заменяйте поврежденные детали.
- Если топливо пролилось, дождитесь пока оно испарится, прежде чем заводить двигатель.

Топливный фильтр, если установлен

1. Снимите крышку топливозаправочного патрубка (А, Рисунок 30).

2. Извлеките фильтр грубой очистки топлива (В, Рисунок 30).
3. Если фильтр грубой очистки топлива загрязнен, то очистите или замените его. В случае замены фильтра грубой очистки топлива убедитесь, что для замены используется оригинальный фильтр.

Хранение топливной системы

См. рисунок 31.

ОСТОРОЖНО

Топливо и его пары легко воспламеняются и взрывоопасны. Воспламенение или взрыв может привести к тяжелым ожогам или смертельному исходу.

Хранение топлива

- Храните топливо и оборудование вдали от котлов, печей, водонагревателей и прочих приборов, в которых используются горелки, запальники или иные источники воспламенения, поскольку это может привести к воспламенению паров топлива.

Храните двигатель в ровном горизонтальном положении (в нормальном рабочем положении). Залейте топливо в топливный бак (А, Рисунок 31). С учетом теплового расширения топлива не заполняйте топливный бак выше нижней части горловины (В).

Топливо может утратить свежесть при нахождении в контейнере для хранения более 30 дней. Рекомендуется добавление в контейнер не содержащего спирт стабилизатора топлива и этанола для предотвращения разложения топлива и сохранения его свежести.

При заливке в топливный контейнер добавляйте не содержащий спирт стабилизатор топлива согласно инструкциям изготовителя. Если в топливо в двигателе не добавлялся стабилизатор топлива, его необходимо слить в надлежащий контейнер. Дайте двигателю поработать, пока не закончится топливо.

Моторное масло

Смените моторное масло, пока двигатель еще теплый. См. раздел *Проверка уровня и доли масла*.

Устранение неисправностей Поддержка

Для получения технической поддержки обратитесь к местному дилеру, перейдя по ссылке: BRIGGSandSTRATTON.COM или позвонив по номеру: **1-800-444-7774** (в США).

Технические характеристики и запасные части

Технические характеристики	Модель: 10V000	Модель: 12V000
Рабочий объем двигателя	10.313 куб. дюйм (169 куб. см)	12.387 куб. дюйм (203 куб. см)
Гильза цилиндра	2.44 дюйм. (62 мм)	2.677 дюйм. (68 мм)
Ход поршня	2.204 дюйм. (56 мм)	2.204 дюйм. (56 мм)
Количество масла	18 - 20 унций (.54 - .59 л)	18 - 20 унций (.54 - .59 л)
Редуктор с мокрым сцеплением 2:1 – Марка масла	10W-30	10W-30
Редуктор с мокрым сцеплением 2:1 – Емкость масляной системы	10 унций (.30 л)	10 унций (.30 л)
Зубчатый редуктор 6:1 – Тип масла	80W-90	80W-90
Зубчатый редуктор 6:1 – Емкость масляной системы	4 унций (12 л)	4 унций (12 л)
Зазор свечи зажигания	.030 дюйм. (.76 мм)	.030 дюйм (.76 мм)
Момент затяжки свечей зажигания	180 фунт-дюйм (20 Нм)	180 фунт-дюйм (20 Нм)
Воздушный зазор катушки	.010 - .013 дюйм (.25 - .35 мм)	.010 - .013 дюйм (.25 - .35 мм)
Зазор впускного клапана	.004 - .006 дюйм (.10 - .15 мм)	.004 - .006 дюйм (.10 - .15 мм)

Технические характеристики	Модель: 10V000	Модель: 12V000
Зазор выпускного клапана	.005 - .007 дюйм (.15 - .20 мм)	.005 - .007 дюйм (.15 - .20 мм)

Технические характеристики	Модель: 25V000
Рабочий объем двигателя	24.898 куб. дюйм (408 куб. см)
Гильза цилиндра	3.465 дюйм. (88 мм)
Ход поршня	2.638 дюйм (67 мм)
Болт кронштейна крепления кабеля	30 фунт-дюйм (3,4 Нм)
Винт фиксатора провода	25 фунт-дюйм (2,8 Нм)
Количество масла	18 - 20 унций (.54 - .59 л)
Зазор свечи зажигания	.030 дюйм. (.76 мм)
Момент затяжки свечей зажигания	180 фунт-дюйм (20 Нм)
Воздушный зазор катушки	.010 - .013 дюйм. (.25 - .35 мм)
Зазор впускного клапана	.004 - .006 дюйм. (.10 - .15 мм)
Зазор выпускного клапана	.005 - .007 дюйм (.15 - .20 мм)

Мощность двигателя будет снижаться на 3,5% на каждые 1000 футов (300 метров) выше уровня моря и на 1% на каждые 10°F (5,6°C) выше 77°F (25°C). Двигатель может работать под углом до 30°. Смотрите безопасные допуски для работы на склонах в руководстве оператора оборудования.

Запасные части

Для покупки запчастей для обслуживания Briggs & Stratton найдите официального сервисного дилера по адресу BRIGGSandSTRATTON.COM. Вам понадобится идентификационный номер (модель - тип - отделка). Чтобы найти идентификационный номер двигателя, обратитесь к разделу **Конструктивные узлы и элементы управления**.

Номинальная мощность

Полная мощность отдельных моделей бензиновых двигателей указывается согласно стандарту SAE (Society of Automotive Engineers) J1940 (Small Engine Power & Torque Rating Procedure) и оценивается в соответствии со стандартом SAE J1995. Для двигателей с указанными на них оборотами указано значение крутящего момента при 2600 об/мин, для всех остальных двигателей – при 3060 об/мин; значение мощности в лошадиных силах измерялось при 3600 об/мин. Графики полной мощности можно посмотреть на веб-сайте www.BRIGGSandSTRATTON.COM. Значения мощности нетто указаны при установленных глушителе и воздушном фильтре, в то время как значения максимальной мощности указаны без этих принадлежностей. Фактическая валовая мощность двигателя будет ниже; она зависит, помимо прочего, от условий эксплуатации и конкретного экземпляра двигателя. Учитывая широкий диапазон продукции, которая оснащается двигателями, бензиновый двигатель может не развивать полную мощность по стандарту при эксплуатации на отдельном силовом оборудовании. Эта разница вызвана множеством факторов, включая, среди прочего, используемые принадлежности (очиститель воздуха, выхлопная система, зарядка, охлаждение, карбюратор, топливный насос и т. д.), ограничения в применении, условия эксплуатации (температура, влажность, высота) и разницу между отдельными экземплярами двигателей. В связи с производственными и техническими ограничениями Компания Briggs & Stratton может заменять данный двигатель двигателем с более высокой номинальной мощностью.

Гарантия

Гарантия на двигатель компании Briggs & Stratton®

Вступает в силу с августа 2022 года

Ограничение объема гарантийных обязательств

Компания Briggs & Stratton обязуется в течение гарантийного периода, определенного ниже, по своему усмотрению производить бесплатный ремонт или замену любых деталей, имеющих дефекты материала и/или производственные дефекты, новыми, восстановленными или отремонтированными деталями. Транспортные расходы, связанные с доставкой изделий, отправляемых для ремонта или замены по настоящей гарантии, должен нести покупатель. Гарантия действительна для сроков и условий, указанных ниже. Для гарантийного обслуживания найдите ближайшего официального сервисного дилера с помощью дилер-локатора на BRIGGSandSTRATTON.COM. Покупателю необходимо связаться с уполномоченным сервисным дилером компании Briggs & Stratton и предоставить оборудование для осмотра и проверки.

Прочих прямых гарантий не существует. Подразумеваемые гарантии, включая гарантии товарного качества и соответствия назначению, ограничены сроком в один год со дня покупки, или в той степени,

в которой это разрешено законом. Все прочие подразумеваемые гарантии исключаются. Ответственность за случайный или косвенный ущерб исключается в той степени, в которой это предусмотрено законодательством. В некоторых штатах или странах запрещено ограничивать период действия подразумеваемой гарантии, а в некоторых штатах или странах запрещено исключать или ограничивать ответственность за случайный или косвенный ущерб. Таким образом, приведенные выше исключения и ограничения, возможно, не будут распространяться на вас. Настоящая гарантия предоставляет вам определенные юридические права, также у вас могут быть другие права, которые могут отличаться в различных штатах и странах.

Стандартные гарантийные условия ^{1, 2}
Vanguard®; коммерческая серия
Личное использование - 36 месяцев
Коммерческое использование - 36 месяцев
XR Series
Личное использование - 24 месяца
Коммерческое использование - 24 месяца
Все двигатели, оснащенные чугунной гильзой Dura-Bore™
Личное использование - 24 месяца
Коммерческое использование - 12 месяцев
Все другие двигатели
Личное использование - 24 месяца
Коммерческое использование - 3 месяца

¹ Это наши стандартные условия гарантии, однако иногда может быть доступно дополнительное гарантийное покрытие, которое не было определено на момент публикации. Для получения информации по текущим условиям гарантии для вашего двигателя посетите веб-сайт BRIGGSandSTRATTON.com или обратитесь к своему официальному сервисному дилеру компании Briggs & Stratton.

² Гарантия не распространяется на двигатели на оборудовании, используемом в качестве первичного источника энергии в месте эксплуатации; резервные генераторы, используемые для коммерческих целей, для технологического транспорта, передвигающегося со скоростью более 40 км/ч; двигатели, которые используются в соревновательных целях или на коммерческих или арендуемых треках.

* В Австралии — Наша продукция обеспечивается гарантиями, которые не могут быть исключены согласно закону Австралии о защите прав потребителей. Вы имеете право на замену изделия или на возврат уплаченной за него суммы в случае серьезной неисправности, а также на компенсацию за прочие обоснованно прогнозируемые потери и убытки. Кроме того, вы имеете право на ремонт изделий или их замену, если их качество является неприемлемым, а неисправность незначительной. Для получения гарантийного обслуживания найдите ближайшего официального сервисного дилера с помощью дилер-локатора на веб-сайте: BRIGGSandSTRATTON.COM, позвоните по телефону: 1300 274 447, свяжитесь с нами по электронной почте: salesenquires@briggsandstratton.com.au или отправьте письмо по адресу: Briggs & Stratton Australia Pty Ltd, 1 Moorebank Avenue, Moorebank, NSW, Australia, 2170.

Гарантийный период начинается с даты покупки оборудования первым розничным покупателем или коммерческим пользователем и заканчивается по истечении периода времени, указанного в приведенной выше таблице. «Личное использование» означает индивидуальное использование устройства на личном участке розничным потребителем. «Коммерческое использование» означает все иные варианты использования, включая использование в коммерческих целях, для получения дохода или сдачи в аренду. Если двигатель находился в коммерческом использовании, после этого в рамках настоящих гарантийных условий он считается двигателем «коммерческого использования».

Для обеспечения гарантийного обслуживания изделий от Briggs & Stratton нет необходимости в гарантийном талоне. Сохраните свою квитанцию, подтверждающую покупку. Если при обращении за гарантийным обслуживанием не будет предоставлен документ, подтверждающий дату первой покупки, для определения гарантийного периода будет использована дата изготовления продукта.

Информация о вашей гарантии

Настоящая ограниченная гарантия покрывает только связанные с двигателями дефекты материала и/или производства, но не замену или возмещение стоимости оборудования, на котором двигатель может быть установлен. Профилактическое техническое обслуживание, настройка, регулировка или нормальный износ не покрываются настоящей гарантией. Аналогично, гарантия теряет свое действие, если двигатель был изменен или модифицирован, или если серийный номер двигателя был искажен или удален. Настоящая гарантия не покрывает повреждение двигателя или ухудшение рабочих параметров, которые были вызваны следующим:

1. Использование деталей, которые не Briggs & Stratton

2. Эксплуатация двигателя с недостаточным количеством смазочного масла, с загрязненным смазочным маслом, а также в случае использования масла несоответствующей марки;
3. Использование загрязненного или несвежего топлива, бензина, содержащего более 10% этанола, или альтернативных видов топлива, например, сжиженного или природного газа, в двигателях, которые не были изначально предназначены/изготовлены компанией Briggs & Stratton для работы на таких видах топлива;
4. Грязь, попавшая в двигатель вследствие ненадлежащего технического обслуживания воздушного фильтра или его неправильного повторного монтажа;
5. Столкновение лезвия ротационной газонокосилки с твердым предметом, ослабленные или установленные ненадлежащим образом адаптеры ножей, крыльчатки или другие соединенные с коленчатым валом устройства, а также чрезмерное натяжение клиновидного ремня;
6. Связанные детали или узлы, например, муфты сцепления, трансмиссии, органы управления оборудованием и т. п., которые не поставляются компанией Briggs & Stratton;
7. Перегрев, вызванный обрезками травы, грязью, мусором или гнездами грызунов, которые блокируют или засоряют ребра охлаждения или зону маховика, или работой двигателя без достаточной вентиляции;
8. Чрезмерная вибрация, вызванная превышением скорости работы, ослабленным креплением двигателя, ослабленным креплением или неправильной балансировкой лезвий или крыльчаток или ненадлежащим присоединением компонентов оборудования к коленчатому валу;
9. Неправильное использование, отсутствие планового технического обслуживания, ненадлежащая транспортировка или хранение оборудования на складе или неправильная установка двигателя.

Гарантийное обслуживание осуществляется только официальными сервисными дилерами компании Briggs & Stratton. Найдите ближайшего официального сервисного дилера в дилер-локаторе на BRIGGSandSTRATTON.COM или по телефону: 1-800-444-7774 (в США).

80114782 (Версия А)

Not for
Reproduction

Všeobecné informácie



Tento návod obsahuje bezpečnostné informácie o nebezpečenstvách a rizikách súvisiacich s motorom a návodom na to, ako im zabrániť. Obsahuje tiež informácie o správnej prevádzke a údržbe tohto stroja. Je dôležité, aby ste si prečítali, pochopili a dodržiavali tieto pokyny. **Tento návod si uschovajte pre budúcu potrebu.**

POZNÁMKA: Obrázky a ilustrácie uvedené v tomto návode slúžia iba ako informácie a môžu sa od vášho modelu líšiť. Použite obrázky, ktoré zodpovedajú vašej konfigurácii motora. Ak je to potrebné, kontaktujte autorizovaného servisného zástupcu.

Pri náhradných dieloch si zaznamenajte dátum zakúpenia, model, typ, výkon a sériové číslo motora. Tieto čísla sa nachádzajú na vašom motore. Pozrite si časť **Dôležité diely a ovládacie prvky**.

Dátum zakúpenia	
Model – typ – štítok motora	
Výrobné číslo motora	

Kontaktné údaje európskej pobočky

S otázkami týkajúcimi sa európskych emisií sa obráťte na našu európsku pobočku na adrese:

Max-Born-Straße 2, 68519 Viernheim, Nemecko.

Fáza V (5) podľa Európskej únie (EÚ): Hodnoty oxidu uhličitého (CO₂)

Ak chcete nájsť hodnoty oxidu uhličitého v motoroch Briggs & Stratton s certifikátom EÚ o typovom schválení, zadajte výraz „CO₂“ do vyhľadávacieho okna na adrese BriggsandStratton.com.

Bezpečnosť obsluhy

Bezpečnostné varovné značky a signálne slová

Bezpečnostný varovný symbol  upozorňuje na bezpečnostné riziká, ktoré môžu vyústiť do úrazu. Signálne slová (**NEBEZPEČENSTVO**, **VAROVANIE** alebo **POZOR**) sa používajú na označenie pravdepodobnosti a možnej závažnosti poranenia. Okrem toho sa môže symbol nebezpečenstva používať na vyjadrenie typu nebezpečenstva.









NEBEZPEČENSTVO označuje riziko, ktorému je potrebné predísť, inak **bude** jeho následkom smrť alebo vážne poranenie.



VAROVANIE označuje riziko, ktorému je potrebné predísť, inak **by** mohla byť jeho následkom smrť alebo vážne poranenie.

POZOR označuje riziko, ktorému je potrebné predísť, inak **by** mohlo dôjsť k malému alebo stredne vážnemu úrazu.

UPOZORNENIE Označuje informácie považované za dôležité, ktoré sa však netýkajú nebezpečenstva.

Symbole označujúce riziká a ich významy

 Bezpečnostné informácie týkajúce sa rizík, ktoré môžu spôsobiť poranenie osôb.	 Pred prevádzkovaním jednotky alebo vykonávaním servisu na jednotke si prečítajte a pochopte návod na obsluhu.
 Nebezpečenstvo požiaru	 Nebezpečenstvo výbuchu
 Riziko zásahu elektrickým prúdom	 Nebezpečenstvo toxických výparov
 Riziko horúceho povrchu	 Riziko spätného nárazu



 Riziko amputácie – pohybujúce sa diely	 Hladina paliva – Maximálna Nepreplňujte
---	--

Bezpečnostné informácie



VAROVANIE Motory Briggs & Stratton® nie sú skonštruované a nesmú sa používať na pohon motokár, detských vozidiel, rekreačných alebo športových terénnych vozidiel, motocyklov, vznášadiel, lietadiel ani súťažných vozidiel bez súhlasu spoločnosti Briggs & Stratton. Informácie o pretekárskych produktoch si pozrite na stránke www.briggsracing.com. O využití v úžitkových a terénnych vozidlách so sedadlami vedľa seba sa informujte v stredisku spoločnosti Briggs & Stratton pre pohonné aplikácie, 1-866-927-3349. Nesprávne použitie motora môže viesť k smrti alebo závažnému poraneniu.

Informácie o recyklácii

		Všetky kartónové obaly, škatule, použitý olej a batérie nechajte zrecyklovať v zmysle zákonných predpisov.
---	--	--

Dôležité časti a ovládacie prvky









Ovládacie prvky motora

Porovnajte popisné písmená na obrázkoch 1, 2 a 3 s ovládacími prvkami motora v nasledujúcom zozname:

- A. Identifikačné čísla motora **Model – Typ – Kód**
- B. Zapaľovacia sviečka
- C. Palivová nádrž a uzáver
- D. Vzduchový filter
- E. Rúčka štartovacieho lanka
- F. Mierka oleja
- G. Otvor na plnenie oleja
- H. Zátka na vypustenie oleja
- I. Tlmič výfuku, Kryt tlmiča výfuku (ak je nainštalovaný), Lapač iskier (ak je nainštalovaný)
- J. Ovládač plynu/uzatvárací ventil paliva/TransportGuard™
- K. Ovládač sytiča
- L. Mriežka na nasávanie vzduchu
- M. Spínač elektrického štartovania (ak je nainštalovaný)
- N. Reduktor (ak je nainštalovaný)

Niektoré motory a zariadenia, na ktorých sú motory namontované, majú ovládacie prvky pre diaľkové ovládanie. Pozrite si návod k zariadeniu, kde je uvedená poloha a obsluha týchto diaľkových ovládacích prvkov.

Symbole ovládačov motora a ich významy

 Otáčky motora – VYSOKÉ	 Otáčky motora – NÍZKE
 Otáčky motora – ZASTAVENÝ	 ZAP./VYP.
 Štartovanie motora ZATVORENÝ sytič	 Štartovanie motora OTVORENÝ sytič
 Veko palivovej nádrže Uzavrací ventil paliva OTVORENÝ	 Uzavrací ventil paliva ZATVORENÝ

Montáž

Výmena ovládača škrtiacej klapky

Štandardný motor má manuálny ovládač škrtiacej klapky. Na prevádzku ručného ovládača plynu nainštalujte diaľkový ovládač plynu alebo zmeňte na ustálenú rýchlosť. Pozrite si nasledujúce pokyny.

POZNÁMKA: Rýchlosť motora musí byť správna, tak ako je špecifikovaná výkonnosnými technickými parametrami výrobcu zariadenie. Ak potrebujete pomoc, obráťte sa na autorizovaného zástupcu spoločnosti Briggs & Stratton.

Manuálny ovládač škrtiacej klapky

1. Posuňte páku ovládania plynu/páku TransportGuard® (A, obrázok 4) do polohy VYP.
2. Odstráňte pružinu (S, obrázok 2).

Diaľkové ovládanie pomocou kábla zo spletaného drôtu

Diaľkový ovládač plynu s káblom zo spletaného drôtu možno nainštalovať v jednom z dvoch smerov: **Smer hlavy valca** alebo **smer dopredu**.

Smer hlavy valca

1. Posuňte páku ovládania plynu/páku TransportGuard™ (A, obrázok 5) do polohy VYP.
2. Použite 10 mm kľúč a uvoľnite maticu (P, obrázok 5) na páke ovládania plynu/páke TransportGuard® (A) o ½ otočky.
3. Podržte upevňovaciu maticu kábla (J, obrázok 6) pomocou 10 mm kľúča a uvoľnite skrutku (K).
4. Nainštalujte káblový drôt (L, obrázok 6) cez otvor v upevňovacej matici kábla (J) a skrutku utiahnite (K). Uistite sa, že káblový drôt (L) nevyčnieva viac ako 0,5 palca (12,7 mm) za otvor.
5. Uvoľnite skrutku (I, obrázok 6). Pripevnite káblOVú objímku (N) pod svorku kábla (M) a utiahnite skrutku (I).
6. Skontrolujte fungovanie diaľkového ovládača plynu. Presuňte diaľkový ovládač plynu z polohy pomaly do polohy rýchlo 2-3 krát. Uistite sa, že sa diaľkový ovládač plynu a káblOVý drôt (L, obrázok 6) voľne pohybujú. Upravte maticu (P, obrázok 7) podľa potreby pre konkrétnu polohu.

Smer dopredu

1. Nastavte páku ovládania plynu/páku TransportGuard™:
 - a. **Pre modely motora 10V000 a 12V000:** Posuňte páku ovládania plynu/páku TransportGuard™ (A, obrázok 8) do polohy RÝCHLO.
 - b. **Pre modely motora 25V000:** Posuňte páku ovládania plynu/páku TransportGuard™ (A, obrázok 8) do polohy VYP.
2. Použite 10 mm kľúč a uvoľnite maticu (P, obrázok 7) na páke ovládania plynu/páke TransportGuard® (A) o ½ otočky.
3. Podržte upevňovaciu maticu kábla (J, obrázok 8) pomocou 10 mm kľúča a uvoľnite skrutku.
4. Nainštalujte káblOVý drôt (L, obrázok 8) cez otvor v upevňovacej matici kábla (J) a skrutku utiahnite (K). Uistite sa, že káblOVý drôt (L) nevyčnieva viac ako 0,5 palca (12,7 mm) za otvor.
5. Uvoľnite skrutku (I, obrázok 8). Pripevnite káblOVú objímku (N) pod svorku kábla (M) a utiahnite skrutku (I).
6. Skontrolujte fungovanie diaľkového ovládača plynu. Presuňte diaľkový ovládač plynu z polohy pomaly do polohy rýchlo 2-3 krát. Uistite sa, že sa diaľkový ovládač plynu a kábel (L, 8) voľne pohybujú. Nastavte maticu (P, obrázok 7) podľa potreby pre konkrétnu polohu.

Diaľkový ovládač škrtiacej klapky pomocou kábla z pevného drôtu

Diaľkový ovládač plynu s káblom z pevného drôtu možno nainštalovať jedným zo štyroch smerov: **Smer hlavy valca**, **smer dopredu**, **smer doľava**, alebo **smer doprava**.

Smer hlavy valca

1. Posuňte páku ovládania plynu/páku TransportGuard® (A, obrázok 9) do polohy VYP.
2. Odstráňte pružinu (S, obrázok 9).
3. Posuňte páku ovládania plynu/páku TransportGuard® (A, obrázok 9) do polohy RÝCHLO.
4. Použite 10 mm kľúč a uvoľnite maticu (P, obrázok 4) na páke ovládania plynu/páke TransportGuard® (A) o ½ otočky.
5. Namontujte Z-armatúru kábla z pevného drôtu (Q, obrázok 9) do jedného z malých otvorov v lomenej páke (R).
6. Uvoľnite skrutku (I, obrázok 9). Pripevnite káblOVú objímku (N) pod svorku kábla (M) a utiahnite skrutku (I).

7. Skontrolujte fungovanie diaľkového ovládača plynu. Presuňte diaľkový ovládač plynu z polohy pomaly do polohy rýchlo 2-3 krát. Uistite sa, že sa diaľkový ovládač plynu a káblOVý drôt (L, obrázok 9) voľne pohybujú. Upravte maticu (P, obrázok 4) podľa potreby pre konkrétnu polohu.

Smer dopredu

1. Posuňte páku ovládania plynu/páku TransportGuard® (A, obrázok 10) do polohy VYP.
2. Odstráňte pružinu (S, obrázok 10).
3. Posuňte páku ovládania plynu/páku TransportGuard® (A, obrázok 10) do polohy RÝCHLO.
4. Použite 10 mm kľúč a uvoľnite maticu (P, obrázok 4) na páke ovládania plynu/páke TransportGuard® (A) o ½ otočky.
5. Nainštalujte Z-armatúru kábla z pevného drôtu (Q, obrázok 10) do jedného z malých otvorov v lomenej páke (R).
6. Uvoľnite skrutku (I, obrázok 10). Pripevnite káblOVú objímku (N) pod svorku kábla (M) a utiahnite skrutku (I).
7. Skontrolujte fungovanie diaľkového ovládača plynu. Presuňte diaľkový ovládač plynu z polohy pomaly do polohy rýchlo 2-3 krát. Uistite sa, že sa ovládač plynu a kábel (L, obrázok 10) voľne pohybujú. Nastavte maticu (P, obrázok 4) podľa potreby pre konkrétnu polohu.

Smer doľava

1. Posuňte páku ovládania plynu/páku TransportGuard® (A, obrázok 11) do polohy VYP.
2. Odstráňte pružinu (S, obrázok 4).
3. Posuňte páku ovládania plynu/páku TransportGuard® (A, obrázok 11) do polohy RÝCHLO.
4. Použite 10 mm kľúč a uvoľnite maticu (P, obrázok 4) na páke ovládania plynu/páke TransportGuard® (A, obrázok 11) o ½ otočky.
5. Odstráňte gombík na ovládanie plynu (W, obrázok 11), aby ste sa dostali k malému otvoru (S).
6. Namontujte Z-armatúru pevného drôteného kábla (L, obrázok 11) do malého otvoru (S) v páke ovládania plynu (A).
7. Uvoľnite skrutku (I, obrázok 11). Pripevnite káblOVú objímku (N) pod svorku kábla (M) a utiahnite skrutku (I).
8. Skontrolujte fungovanie diaľkového ovládača plynu. Presuňte diaľkový ovládač plynu z polohy pomaly do polohy rýchlo 2-3 krát. Uistite sa, že sa ovládač plynu a kábel (L, obrázok 11) voľne pohybujú. Nastavte maticu (P, obrázok 4) podľa potreby pre konkrétnu polohu.

Smer doprava

Na namontovanie diaľkového ovládača plynu z pravej strany je potrebná montážna konzola kábla (U, obrázok 12). Pozrite si časť **Technické parametre a servisné diely**, v ktorej nájdete číslo dielu. Ak chcete kúpiť montážnu svorku kábla, obráťte sa autorizovaného servisného predajcu spoločnosti Briggs & Stratton.

1. Posuňte páku ovládania plynu/páku TransportGuard® (A, obrázok 12) do polohy VYP.
2. Odstráňte pružinu (S, obrázok 4).
3. Odstráňte gombík na ovládanie plynu (W, obrázok 12), aby sa odkryl malý otvor (S).
4. Posuňte páku ovládania plynu/páku TransportGuard® (A, obrázok 12) do polohy RÝCHLO.
5. Použite 10 mm kľúč a uvoľnite maticu (P, obrázok 4) na páke ovládania plynu/páke TransportGuard® (A, 12) o ½ otočky.
6. Namontujte Z-armatúru pevného drôteného kábla (L, obrázok 12) do malého otvoru (S) v páke ovládania plynu (A).
7. Odstráňte skrutku (T, obrázok 12). Namontujte montážnu konzolu kábla (U) podľa obrázka. Pripevnite montážnu konzolu kábla (U) pomocou skrutky (T). Uťahnite skrutku (T) do hodnoty 30 lb-palec (3,4 Nm). Pozrite si časť **Technické parametre a servisné diely**.
8. Uvoľnite skrutku (I, obrázok 12). Pripevnite káblOVú objímku (N) pod svorku kábla (M) a utiahnite skrutku (I).
9. Skontrolujte fungovanie diaľkového ovládača plynu. Presuňte diaľkový ovládač plynu z polohy pomaly do polohy rýchlo 2-3 krát. Uistite sa, že sa ovládač plynu a kábel (L, obrázok 12) voľne pohybujú. Nastavte maticu (P, obrázok 4) podľa potreby pre konkrétnu polohu.

Motor s fixnou rýchlosťou (bez kábla ovládača škrtiacej klapky)

Pri zmene na **ustálenú rýchlosť motora** nie je nainštalovaný kábel ovládača plynu a nie je k dispozícii výber rýchlostí. Jedinou rýchlosťou motora je rýchlosť RÝCHLO.

1. Posuňte páku ovládania plynu/páku TransportGuard® (A, obrázok 13) do polohy VYP.

- Odstráňte pružinu (S, obrázok 13).
- Posuňte páku ovládania plynu/páku TransportGuard® (A, obrázok 13) do polohy RÝCHLO.
- Uistite sa, že skrutka drôteného držiaka (V, obrázok 13) je zarovnaná s otvorom v konzole. Utiahnite skrutku (V) na hodnotu 25 lb-palec) (2,8 Nm).
- Odstráňte lanko riadenia (H, obrázok 13).

POZNÁMKA: Páka ovládania plynu/páka TransportGuard® teraz bude mať len dve polohy: polohu ZASTAVTE/VYP. a polohu BEH.

- Nasadte nový štítok ZAP./VYP. TransportGuard® (O, obrázok 14) cez existujúci štítok ovládania rýchlosti na ozdobnej lište (F).

Prevádzka



VAROVANIE

Výpary z paliva sú horľavé a výbušné. Oheň alebo výbuch môžu spôsobiť vážne popáleniny alebo smrť.

Ak cítite plyn

- Neštartujte motor.
- Nezapínajte vypínače elektrických zariadení.
- Nepoužívajte v blízkosti telefón.
- Vyprázdňte priestor.
- Kontaktujte hasičský zbor.

Počas používania zariadenia

- Nenakláňajte motor ani zariadenie pod uhlom, pri ktorom môže dôjsť k rozliatiu paliva.

Keď zariadenie premiestňujete na iné miesto

- Uistite sa, že je palivová nádrž PRÁZDNA alebo že je uzatvárací ventil (ak je nainštalovaný) v polohe ZATVORENÉ.

Skontrolujte hladinu oleja

Pred kontrolou alebo doliatím oleja

- Uistite sa, že je motor vo vodorovnej polohe.
- Priestor na plnenie oleja očistite od nečistôt.
- Pozrite si časť **Technické parametre**, kde je uvedený objem oleja.

UPOZORNENIE

Spoločnosť Briggs & Stratton dodáva motor bez oleja. Olej mohli pridať do motora výrobca zariadenia alebo predajca. Pred prvým naštartovaním motora skontrolujte, či je hladina oleja v správnej výške. Podľa potreby doplňte olej podľa pokynov v tejto príručke. Pokiaľ naštartujete motor bez oleja, dôjde k jeho neopraviteľnému poškodeniu. Na takéto poškodenie sa záruka nevzťahuje.

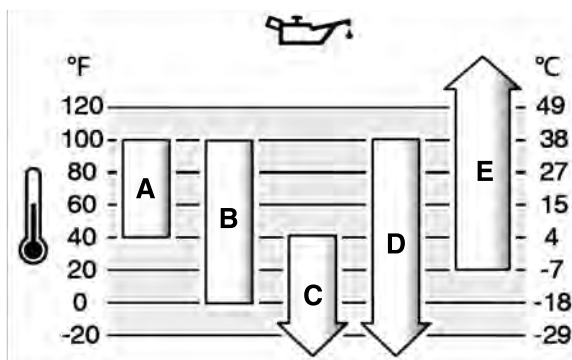
- Vyberte olejovú mierku (A, obrázok 15) a utrite ju handričkou
- Zasuňte a utiahnite olejovú mierku (A, obrázok 15).
- Vyberte mierku a skontrolujte hladinu oleja. Uistite sa, že hladina oleja siaha až po hornú hranicu ukazovateľa hladiny oleja (B, obrázok 15) na olejovej mierke.
- Motor má dva otvory na plnenie oleja (C, G, obrázok 16). Ak je hladina oleja nízka, pomaly nalievajte olej cez otvory na plnenie oleja (C, G). Nedolievajte príliš veľa oleja. Po doliatí oleja počkajte jednu minútu, a následne skontrolujte hladinu oleja. Uistite sa, že hladina oleja je správna.
- Zasuňte a utiahnite olejovú mierku (A, obrázok 15).

Odporúčania týkajúce sa oleja

Objem oleja: Pozrite si časť **Technické parametre**.

Odporúčame používať oleje spoločnosti Briggs & Stratton® s certifikovanou zárukou, pre najlepší výkon. Prípustné sú aj iné vysoko kvalitné detergentné oleje, ak majú prevádzkovú klasifikáciu SF, SG, SH, SJ, alebo vyššiu. Nepoužívajte špeciálne prísady.

Pri výbere najlepšej viskozity pre očakávaný rozsah vonkajšej teploty používajte tabuľkou. Motory väčšiny zariadení s motorovým pohonom pracujú vonku dobre so syntetickým olejom 5W-30. V prípade zariadení prevádzkovaných pri vysokých teplotách ponúka najlepšiu ochranu syntetický olej Vanguard® 15W-50.



A	SAE 30 – pri použití oleja SAE 30 pri teplote pod 40 °F (4 °C) bude štartovanie ťažké.
B	10W-30 – používanie oleja 10W-30 pri teplote nad 80 °F (27 °C) môže mať za následok zvýšenú spotrebu oleja. Hladinu oleja kontrolujte často.
C	5W-30
D	Syntetický olej 5W-30
E	Syntetický olej Vanguard® 15W-50

Systém ochrany pred nízkou hladinou oleja (ak je nainštalovaný)

Niektoré motory sú vybavené senzorom nízkej hladiny oleja. Ak je hladina oleja nízka, snímač rozsvieti výstražnú kontrolku alebo zastaví motor. Zastavte motor a pred jeho opätovným naštartovaním postupujte podľa nasledujúcich krokov.

- Uistite sa, že je motor vo vodorovnej polohe.
- Skontrolujte olej. Pozrite si časť **Kontrola hladiny oleja**.
- Ak je hladina oleja nízka, doplňte správne množstvo oleja. Naštartujte motor a skontrolujte, či sa nerozsvietila varovná kontrolka (ak je nainštalovaná).
- Ak nie je hladina oleja nízka, motor neštartujte. Na odstránenie problému s olejom sa obráťte na autorizovaného servisného zástupcu Briggs & Stratton.

Odporúčania týkajúce sa paliva

Palivo musí vyhovovať týmto požiadavkám:

- Čistý, nový, bezolovnatý benzín.
- Minimálne 87-oktánový/87 AKI (91 RON). Informácie o používaní vo vysokej nadmorskej výške sa uvádzajú nižšie.
- Použiť možno benzín s obsahom etanolu do 10 % (gasohol).

UPOZORNENIE

Nepoužívajte neschválený benzín, ako napr. E15 alebo E85. Nepripravujte olej do benzínu, neupravujte motor na použitie alternatívnych palív. Používanie neschválených palív spôsobí poškodenie častí motora, na ktoré sa nevzťahuje záruka.

Na ochranu palivového systému pred usadzovaním živých usadení a koróziou primiešavajte do paliva bezalkoholový stabilizátor paliva a etanolový prostriedok na ošetrovanie paliva. Pozrite si časť **Skladovanie**. Všetky palivá nie sú rovnaké. Pri problémoch so štartovaním alebo výkonom zmeňte dodávateľa alebo značku paliva. Tento motor je certifikovaný na používanie benzínu. Systém regulácie emisií pre motory s karburátorom je EM (modifikácie motora). Systémy regulácie emisií pre motory s elektronickým vstrekovaním paliva sú ECM (riadiaci modul motora), MPI (viacportové vstrekovanie paliva), TBI (vstrekovanie paliva telesa plynu) a ak je vo výbave O2S (snímač kyslíka).

Vysoká nadmorská výška

V nadmorských výškach nad 5 000 stôp (1 524 metrov) je dovolené používať minimálne 85-oktánový benzín/85 AKI (89 RON).

V prípade používania motorov s karburátorom sa požaduje úprava na používanie vo vysokých nadmorských výškach. Bez tejto úpravy dôjde počas prevádzky k zníženiu výkonu, zvýšeniu spotreby paliva a zvýšeniu množstva emisií. Pre získanie informácií o úprave na používanie vo vysokých nadmorských výškach kontaktujte autorizovaného predajcu značky Briggs & Stratton. Používanie motora s úpravou pre vysoké nadmorské výšky v nadmorských výškach do 2 500 stôp (762 metrov) sa neodporúča.

Pri motoroch s elektronickým vstrekovaním paliva (EFI), nie je potrebné robiť žiadne nastavenie podľa nadmorskej výšky.

Dopĺňanie paliva



VAROVANIE

Palivo a jeho výpary sú mimoriadne horľavé a výbušné. Oheň alebo výbuch môžu spôsobiť vážne popáleniny alebo smrť.

Pri dopĺňaní paliva

- Zastavte motor. Pred odmontovaním viečka palivovej nádrže počkajte najmenej dve (2) minúty, kým motor vychladne.
 - Palivovú nádrž dopĺňajte vonku alebo na dobre vetraných miestach.
 - Do nádrže nenalievajte príliš veľa paliva. Kvôli expanzii paliva nepĺňte palivovú nádrž nad spodnú časť hrdla nádrže.
 - Palivo uskladňujte v dostatočnej vzdialenosti od výskytu iskier, otvorených plameňov, zapalovacích horákov, tepelných alebo iných zápalných zdrojov.
 - Pravidelne kontrolujte palivové potrubie, palivovú nádrž, viečko palivovej nádrže a spojky, či nie sú prasknuté alebo netesné. Poškodené časti vymeňte.
 - Ak došlo k rozliatiu paliva, pred štartovaním motora počkajte, kým sa palivo neodparí.
1. Okolie uzáveru palivovej nádrže očistite od špiny a zvyškov. Vyskrutkujte uzáver palivovej nádrže.
 2. Naplňte palivovú nádrž (A, obrázok 17) palivom. Kvôli expanzii paliva nenaplňajte palivovú nádrž nad spodnú časť hrdla nádrže (B).
 3. Nainštalujte uzáver palivovej nádrže.

Naštartovanie motora



VAROVANIE

RIZIKO VÝSKYTU JEDOVATÉHO PLYNU. Spaliny z motora obsahujú oxid uhoľnatý, jedovatý plyn, ktorý dokáže spôsobiť smrť v priebehu niekoľkých minút. Aj keď necítite výfukové spaliny, stále môžete byť vystavení nebezpečným účinkom oxidu uhoľnatého. Ak pri používaní tohto výrobku začnete mať pocity nevoľnosti, závratu alebo slabosti, OKAMŽITE vyjdite na čerstvý vzduch. Vyhľadajte lekára. Hrozí otrava oxidom uhoľnatým.

- Oxid uhoľnatý sa môže akumulovať v obytných priestoroch. Aby sa znížilo riziko nahromadenia oxidu uhoľnatého, zariadenie používajte IBA vonku, ďaleko od okien, dverí a vetracích otvorov.
- Podľa pokynov výrobcu nainštalujte signalizačné zariadenia upozorňujúce na oxid uhoľnatý na batérie alebo napájané zo zásuvky a zálohované batériou. Dymové signalizačné zariadenia nedokážu detegovať oxid uhoľnatý.
- Tento výrobok NEPOUŽÍVAJTE vnútri domov, garáží, pivníc, priestorov pod domom, kólni alebo iných potenciálne uzavretých priestorov, a to aj ak na vetranie používate ventilátory či otvorené okná alebo dvere. Po použití tohto produktu sa môže oxid uhoľnatý rýchlo nahromadiť v týchto priestoroch a zostať tam niekoľko hodín.
- Tento výrobok VŽDY umiestňujte po vetre a výfuk motora smerujte mimo obývaných priestorov.



VAROVANIE

Palivo a jeho výpary sú mimoriadne horľavé a výbušné. Oheň alebo výbuch môžu spôsobiť vážne popáleniny alebo smrť.

Pri štartovaní motora

- Skontrolujte správnosť osadenia zapalovacej sviečky, tlmiča výfuku, uzáveru palivovej nádrže a čističa vzduchu (ak je vo výbave).
- Motor nenatáčajte, ak je vybratá zapalovacia sviečka.
- Ak je motor preplnený, nastavte sýtič (ak je vo výbave) do polohy OTVORENÝ alebo ŠTARTOVANIE. Ovládanie plynu (ak je vo výbave) nastavte do polohy RÝCHLY a motor natáčajte, pokým nenašartuje.
- Ak v priestore dochádza k úniku zemného alebo skvapalneného plynu, motor nešartujte.
- Nepoužívajte stlačené štartovacie tekutiny, pretože výpary sú horľavé.



VAROVANIE

Rotujúce časti môžu zachytiť ruky, nohy, vlasy, odevy alebo doplnky, čo môže mať za následok traumatickú amputáciu alebo tržné rany.

- Zariadenie používajte iba so správne nasadenými krytmi.
- Ruky a nohy nepribližujte k rotujúcim dielom.
- Zložte si šperky a vlasy udržiňte mimo rotujúcich častí.
- Nenoste voľné odevy ani doplnky, ktoré by mohol stroj zachytiť.



VAROVANIE

Spätne navinutie šnúry štartéra (spätný náraz) potiahne vašu ruku späť k motoru rýchlejšie, než dokážete pustiť jeho rukoväť, čo môže spôsobiť zlomeniny, pomliaždeniny, vyvrtnutia alebo iné poranenia.

- Pri štartovaní motora pomaly ťahajte štartovaciu šnúru, kým neucítite odpor, a potom prudko trhnite, aby ste prekonali spätý náraz.
- Pred štartovaním motora odpojte všetky externé zariadenia alebo záťaž motora.
- Priamo pripojené diely zariadení, ako napríklad najmä čepele, obežné kolesá, kladky, ozubené hnacie kolesá atď. musia byť bezpečne pripojené.

POZNÁMKA: Vaše zariadenie môže byť vybavené diaľkovým ovládaním. Pozrite si návod k zariadeniu, v ktorom je uvedená poloha a obsluha diaľkového ovládania.

1. Skontrolujte motorový olej. Pozrite si časť **Kontrola hladiny oleja**.
2. Uistite sa, že ovládacie prvky pohonu zariadenia, ak sú vo výbave, sú vyradené.
3. Posuňte páku ovládania plynu/páku TransportGuard® (A, obrázok 18), ak sú vo výbave motora, do polohy RÝCHLO alebo SPUSTIŤ. Motor prevádzkujte v polohe RÝCHLO alebo SPUSTIŤ.
4. Posuňte ovládač sýtiča (B, obrázok 18) do polohy ZATVORENÝ.

Pri štartovaní zahriateho motora spravidla nie je potrebný sýtič.

5. **Štartovanie šnúrou, ak je vo výbave:** Pevne uchopte rukoväť štartovacej šnúry (C, obrázok 18). Pomaly ťahajte rukoväť štartovacej šnúry, kým neucítite odpor, a potom rýchlo potiahnite.



VAROVANIE

Spätne navinutie šnúry štartéra (spätný náraz) potiahne vašu ruku späť k motoru rýchlejšie, než dokážete pustiť jeho rukoväť, čo môže spôsobiť zlomeniny, pomliaždeniny, vyvrtnutia alebo iné poranenia.

- Pri štartovaní motora pomaly ťahajte štartovaciu šnúru, kým neucítite odpor, a potom prudko trhnite, aby ste prekonali spätý náraz.
 - Pred štartovaním motora odpojte všetky externé zariadenia alebo záťaž motora.
 - Priamo pripojené diely zariadení, ako napríklad najmä čepele, obežné kolesá, kladky, ozubené hnacie kolesá atď. musia byť bezpečne pripojené.
6. **Elektrické štartovanie, ak je vo výbave:** Zapnite spínač elektrického štartovania (D, obrázok 18) do polohy ŠTART.

UPOZORNENIE

Používajte krátke štartovacie cykly (maximálne päť sekúnd), aby ste dosiahli dlhšiu životnosť štartéra. Medzi jednotlivými štartovacími cyklami počkajte jednu minútu.

7. Počas ohrievania motora posuňte ovládač sýtiča (B, obrázok 18) do polohy OTVORENÝ.

Ak motor nenašartuje ani po 2 alebo 3 pokusoch, obráťte sa na miestneho zástupcu, alebo navštívte stránku vanguardpower.com alebo zavolajte na tel.č. 1-800-999-9333 (v USA).

Zastavenie motora



VAROVANIE

Palivo a jeho výpary sú mimoriadne horľavé a výbušné. Oheň alebo výbuch môžu spôsobiť vážne popáleniny alebo smrť.

- Nezastavujte motor priškrcovaním sýtiča karburátora, ak je vo výbave.

Ovládač plynu/TransportGuard®: Posuňte páku ovládania plynu/páku TransportGuard® (A, obrázok 19) do polohy VYP. alebo STOP.

POZNÁMKA: Keď je páka ovládania plynu/páku TransportGuard® (A, obrázok 19) v polohe VYP. alebo STOP, palivový ventil je v polohe VYP. Pri preprave zariadenia vždy posuňte páku ovládania plynu/páku TransportGuard® do polohy VYP. alebo STOP.

POZNÁMKA: Kľúč (D, obrázok 19) motor nezastaví. Kľúč LEN naštartuje motor. Kľúč (D) vytiahnite a uchovávajte ho na bezpečnom mieste mimo dosahu detí.

Údržba

Informácie týkajúce sa údržby



VAROVANIE

Palivo a jeho výpary sú mimoriadne horľavé a výbušné. Oheň alebo výbuch môžu spôsobiť vážne popáleniny alebo smrť.

Počas údržby je potrebné zariadenie nakloniť. Uistite sa, že palivová nádrž, ak je namontovaná na motore, je prázdna a strana so zapaľovacou sviečkou je hore. Ak nádrž nie je prázdna, môže dôjsť k rozliatiu paliva, čo môže mať za následok požiar alebo výbuch. Ak je motor naklonený iným smerom, nebude sa dať ľahko naštartovať z dôvodu kontaminácie filtra vzduchu alebo zapaľovacej sviečky olejom alebo palivom.



VAROVANIE

Náhodná iskra z motora môže spôsobiť zásah elektrickým prúdom, požiar alebo výbuch, čo môže mať za následok zachytenie do stroja, traumatickú amputáciu alebo tržné rany.

Pred vykonávaním nastavení a opráv:

- Odpojte všetky drôty zapaľovacej sviečky a uchovávajte ich ďaleko od zapaľovacích sviečok.
- Odpojte kábel od záporného pólu batérie (iba pri motoroch s elektrickým štartovaním).
- Používajte iba správne náradie.

Počas kontroly iskier:

- Používajte schválený skúšač zapaľovacích sviečok.
- Neskúšajte iskrú pri odstránenej zapaľovacej sviečke.



VAROVANIE

Náhradné diely musia mať rovnakú konštrukciu a musia byť namontované na to isté miesto ako pôvodné diely. Ostatné diely môžu spôsobiť poškodenie alebo zranenia.

UPOZORNENIE

Aby motor správne fungoval, všetky časti použité v konštrukcii tohto motora musia zostať na mieste.

Pri každej údržbe a servise motora a dielov motora navštívte autorizovaného servisného zástupcu Briggs & Stratton.

Servis systému kontroly emisií

Údržbu, výmenu alebo opravu zariadení a systémov na kontrolu emisií vo výfukových plynoch zverte kvalifikovanému servisnému stredisku alebo pracovníkovi. „Bezplatná“ kontrola emisií vo výfukových plynoch môže byť vykonaná iba u servisného zástupcu autorizovaného výrobným závodom. Pozrite si vyhlásenia o kontrole emisií škodlivín.

Plán údržby

Prvých 5 hodín
<ul style="list-style-type: none">• Vymeňte olej.
8-hodinové intervaly alebo denne
<ul style="list-style-type: none">• Skontrolujte hladinu motorového oleja.• Očistite priestor okolo tlmíča výfuku a ovládacích prvkov.• Očistite mriežku na nasávanie vzduchu.
100-hodinové intervaly alebo ročne
<ul style="list-style-type: none">• Vykonajte servisnú údržbu výfukového systému.• Vymeňte olej v reduktore (ak je nainštalovaný).
200-hodinové intervaly alebo raz ročne
<ul style="list-style-type: none">• Vymeňte motorový olej.• Čistenie vzduchového filtra¹
600-hodinové intervaly alebo raz za 3 roky
<ul style="list-style-type: none">• Vymeňte vzduchový filter.
Raz ročne
<ul style="list-style-type: none">• Vymeňte zapaľovaciu sviečku.• Vykonajte servisnú údržbu palivového systému.• Vykonajte servisnú údržbu chladiaceho systému¹.

- Skontrolujte voľu ventilov².

¹Čistite častejšie v prachových podmienkach, alebo ak je v ovzduší veľké množstvo častíciok.

²Nie je potrebné, pokiaľ sa nevyskytnú problémy s motorom.

Karburátor a otáčky motora

Nerobte úpravy v karburátore, pružine regulátora, prepojiaciach ani iných dieloch s cieľom zmeniť otáčky motora. Ak sú potrebné úpravy, požiadajte o servis autorizovaného servisného zástupcu Briggs & Stratton.

UPOZORNENIE

Výrobca zariadenia, na ktorom je namontovaný motor, stanovuje maximálne povolené otáčky tohto motora. Neprekračujte tieto otáčky. Ak si nie ste istí hodnotou maximálnych povolených otáčok zariadenia, na ktorom je motor, alebo na aké otáčky bol nastavený motor vo výrobnom závode, požiadajte o pomoc autorizovaného servisného zástupcu Briggs & Stratton. Aby zariadenie pracovalo bezpečne a správne, otáčky motora musia byť nastavené iba kvalifikovaným servisným technikom.

Údržba zapaľovacej sviečky

Skontrolujte vzdialenosť elektród zapaľovacej sviečky (A, Obrázok 20) pomocou mierky (B). Ak je to potrebné, upravte vzdialenosť elektród zapaľovacej sviečky. Zapaľovaciu sviečku zaskrutkujte a utiahnite správnym krútiacim momentom. Informácie o vzdialenosti elektród a krútiacich momentoch nájdete v časti **Technické parametre**.

Servis výfukových a chladiacich systémov



VAROVANIE

Počas prevádzky sa motor a tlmíč výfuku zahrejú na vysokú teplotu. Ak sa dotknete horúceho motora, môže dôjsť k popáleninám.

Môže dôjsť k zapáleniu horľavých nečistôt, ako sú listy, tráva, chrasť atď.

- Skôr, ako sa dotknete motora alebo tlmíča výfuku, zastavte motor a počkajte dve (2) minúty. Uistite sa, že sa motora a tlmíča výfuku môžete bezpečne dotknúť.
- Odstráňte nečistoty z tlmíča výfuku a motora.

Používanie motora na akejkoľvek zalesnenej, zatravnenej ploche alebo na ploche pokrytej kríkmi bez lapača iskier na výfukovom systéme udržiavaného vo funkčnom stave je v zmysle § 4442 porušením Zákonníka verejných zdrojov štátu Kalifornia. Ostatné štáty alebo federálne jurisdikcie môžu mať podobné zákony, pozrite si federálnu reguláciu 36 CFR časť 261.52. Keď chcete získať zachytávač iskier, ktorý bol navrhnutý pre výfukový systém pre tento motor, skontaktujte sa s výrobcom originálneho zariadenia, s obchodníkom, alebo s predajcom.

Tento motor je chladený vzduchom. Nečistoty alebo nežiaduci materiál môžu zabrániť prúdeniu vzduchu a spôsobiť prílišné zahrievanie motora. To má za následok nedostatočný výkon a skracuje to životnosť motora. Na chladiacich rebrách valca sa môže zhromažďovať nežiaduci materiál, ktorý nie je možné odstrániť bez čiastočného rozobratia motora. Zabezpečte, aby autorizovaný servisný zástupca Briggs & Stratton preskúmal a vycítil systém chladenia vzduchom. Pozrite si **Harmonogram údržby**.

1. Uistite sa, že okolo tlmíča výfuku a za ním nie sú žiadne zápalné materiály.
2. Pomocou kefy alebo suchej handry odstráňte všetok nežiaduci materiál z krytu ventilátora, tlmíča výfuku a oblasti valca. Na čistenie motora NEPOUŽÍVAJTE vodu.
3. Uistite sa, že spojenie, pružiny a ovládacie prvky sú čisté.
4. Skontrolujte tlmíč výfuku, či nie je prasknutý, skorodovaný, alebo inak poškodený.
5. Odmontujte kryt alebo lapač iskier (ak je nainštalovaný) a skontrolujte, či nie je poškodený alebo zanesený karbónovými usadeninami. Pred prevádzkou zariadenia nezabudnite vycítiť alebo nainštalovať náhradné diely.
6. Dbajte na to, aby boli rebrá olejového chladiča, ak sú nainštalované, čisté.

Výmena motorového oleja



VAROVANIE

Palivo a jeho výpary sú mimoriadne horľavé a výbušné. Oheň alebo výbuch môžu spôsobiť vážne popáleniny alebo smrť.

Počas prevádzky sa motor a tlmíč výfuku zahrejú na vysokú teplotu. Ak sa dotknete horúceho motora, môže dôjsť k popáleninám.

- Pokiaľ vypúšťate olej z hornej plniacej rúrky oleja, palivová nádrž musí byť prázdna. V prípade, že nádrž nie je prázdna, môže dôjsť k úniku paliva, čo môže mať za následok požiar alebo výbuch.
- Skôr, ako sa dotknete motora alebo tlmíča výfuku, zastavte motor a počkajte dve (2) minúty. Uistite sa, že sa motora a tlmíča výfuku môžete bezpečne dotknúť.

Použitý olej je nebezpečný odpad a musí sa správne zlikvidovať. Nevyhadzujte ho s domovým odpadom. Informácie o bezpečnej likvidácii a miestach recyklácie získate na miestnom úrade, v servisnom stredisku alebo u predajcu.

V prípade modelov **Just Check & Add™** sa výmena oleja nevyžaduje. Ak je výmena oleja potrebná, pozrite si nasledujúci postup.

Vypustenie oleja

1. Na vypnutom, ale ešte teplom motore odpojte zapaľovacie káble od zapaľovacej sviečky (D, obrázok 21) a nepribližujte ho k zapaľovacej sviečke (sviečkam) (E).
2. Vytiahnite olejovú mierku (A, Obrázok 22).
3. Motor má dve zátky na vypustenie oleja (H, F, obrázok 23). Odstráňte zátky na vypustenie oleja (H, F). Olej vypustíte do schválenej nádoby.
4. Nasadte a utiahnite zátku na vypúšťanie oleja (H, F, obrázok 23).

Pridať olej

- Uistite sa, že je motor vo vodorovnej polohe.
- Odstráňte všetok nežiaduci materiál z oblasti hrdla olejovej nádrže.
- Pozrite si časť **Technické špecifikácie**, kde je uvedené množstvo oleja.

1. Vytiahnite olejovú mierku. Pozrite si časť **Vypustenie oleja**.
2. Pomaly pridajte olej do jedného z otvorov pre nalievanie motorového oleja (C, G, obrázok 24). Nedolievajte príliš veľa oleja.
3. Počkajte jednu minútu a skontrolujte hladinu oleja.
4. Zasuňte späť olejovú mierku.
5. Vyberte mierku a skontrolujte hladinu oleja. Správna hladina oleja je v hornej časti ukazovateľa hladiny oleja na olejovej mierke. Pozrite si časť **Kontrola hladiny oleja**.
6. Znova vložte a utiahnite olejovú mierku.
7. Kábel (káble) zapaľovacej sviečky pripojte k zapaľovacej sviečke (sviečkam). Pozrite si časť **Vypustenie oleja**.

Výmena oleja v reduktore

Niektoré motory sú vybavené reduktorom. Ak je vo výbave, pozrite si nasledujúce kroky pre pre jeden z reduktorov.

Reťazový reduktor 2:1

Ak je motor vybavený reťazovým reduktorom 2:1 (G, obrázok 25), výmena oleja nie je potrebná. Olej v motore maže aj reťazový reduktor.

Reduktor mokrej spojky 2:1

Ak je motor vybavený reduktorom mokrej spojky 2:1, postupujte podľa nasledujúcich krokov:

1. Vytiahnite olejovú mierku (A, Obrázok 26).
2. Odstráňte zátku na vypúšťanie oleja (B, obrázok 26) a vypustite olej do vhodnej nádoby.
3. Nasadte a utiahnite zátku na vypúšťanie oleja (B, obrázok 26).
4. Pomaly nalievajte olej do otvoru na nalievanie oleja (C, obrázok 26). Pozrite si časť **Technické parametre**.
5. Zasuňte olejovú mierku (A, obrázok 26).
6. Vytiahnite olejovú mierku (A, obrázok 26) a skontrolujte hladinu oleja. Správna hladina oleja je v hornej časti ukazovateľa hladiny oleja (D) na olejovej mierke.
7. Zasuňte olejovú mierku (A, obrázok 26).

Reduktor 6:1

Ak je motor vybavený reduktorom 6:1, postupujte podľa nasledujúcich krokov:

1. Odstráňte zátku otvoru na plnenie oleja (A, obrázok 27) a zátku otvoru pre kontrolu hladiny oleja (B).
2. Odstráňte zátku na vypúšťanie oleja (C, obrázok 27) a vypustite olej do vhodnej nádoby.
3. Nasadte a utiahnite zátku na vypúšťanie oleja (C, obrázok 27).
4. Pomaly pridávajte do otvoru na plnenie oleja (D, obrázok 27) olej reduktora (80W-90). Pokračujte v pridávaní oleja reduktora (80W-90), kým nezačne olej vytekať z otvoru pre kontrolu hladiny oleja (E).
5. Nasadte a utiahnite zátku otvoru pre kontrolu hladiny oleja (B, obrázok 27).
6. Nasadte a utiahnite zátku otvoru na plnenie oleja (A, obrázok 27).

POZNÁMKA: Zátka otvoru na plnenie oleja (A, obrázok 27) má odvzdušňovací otvor (F) a musí byť nasadená na vrchu krytu prevodovky podľa obrázka.

Servis vzduchového filtra



VAROVANIE

Výpary z paliva sú horľavé a výbušné. Oheň alebo výbuch môžu spôsobiť vážne popáleniny alebo smrť.

- Motor nikdy neštartujte ani neprevádzkujte, keď sú zostava čističa vzduchu (ak je vo výbave) alebo filter vzduchu (ak je vo výbave) demontované.

UPOZORNENIE

Na čistenie vzduchového filtra nepoužívajte stlačený vzduch ani rozpúšťadlá. Stlačený vzduch môže filter poškodiť a rozpúšťadlá zas rozpustiť.

Pozrite si **Plán údržby**, kde nájdete požiadavky na vykonanie servisu.

Niektoré modely používajú penový filter a niektoré papierový. Niektoré modely môžu byť tiež vybavené voliteľným predfiltrom, ktorý je možné vyčistiť a znovu použiť. Porovnajete zobrazenia v tomto návode s typom použitým na vašom motore a podľa toho vykonajte servis.

Papierová vložka vzduchového filtra

1. Uvoľnite príchytku (príchytky) (C, obrázok 28).
2. Odstráňte kryt (A, obrázok 28) a vyberte filter (B).
3. Ak chcete uvoľniť nečistoty, jemne poklepte vzduchovým filtrom (B, obrázok 28) o tvrdý povrch. Ak je filter znečistený, nahraďte ho novým.
4. Nasadte filter (B, obrázok 28).
5. Nasadte kryt (A, obrázok 28) a zaistite ho príchytkou (príchytkami) (C). Skontrolujte, či je príchytka (príchytky) utiahnutá.

Papierový vzduchový filter - nízko profilový

1. Posunutím západky (A, obrázok 29) odomknite kryt (C).
2. Vtlačte výstupky (B, obrázok 29) a odstráňte kryt (C).
3. Vyberte filter (D, obrázok 29).
4. Ak chcete uvoľniť nečistoty, jemne poklepte vzduchovým filtrom (D, obrázok 29) o tvrdý povrch. Ak je filter znečistený, nahraďte ho novým.
5. Nasadte filter (D, obrázok 29).
6. Nasadte kryt (C, obrázok 29). Posuňte západku (A) do zamknutej polohy.

POZNÁMKA: Skontrolujte, či penový prvok správne sedí (E, obrázok 29). Uistite sa, že je obvodové penové tesnenie správne vsadené do kanálika (F).

Vykonajte servisnú údržbu palivového systému



VAROVANIE

Palivo a jeho výpary sú mimoriadne horľavé a výbušné. Oheň alebo výbuch môžu spôsobiť vážne popáleniny alebo smrť.

- Palivo uskladňujte v dostatočnej vzdialenosti od výskytu iskier, otvorených plameňov, zapaľovacích horákov, tepelných alebo iných zápalných zdrojov.
- Pravidelne kontrolujte palivové potrubie, palivovú nádrž, viečko palivovej nádrže a spojky, či nie sú prasknuté alebo netesné. Poškodené časti vymeňte.
- Ak došlo k rozliatiu paliva, pred štartovaním motora počkajte, kým sa palivo neodparí.

Palivové filtračné sitko, ak je nainštalované

1. Odstráňte uzáver palivovej nádrže (A, obrázok 30).
2. Vyberte palivové filtračné sitko (B, obrázok 30).
3. Ak je palivové filtračné sitko špinavé, tak ho očistite alebo vymeňte. Ak vymieňate palivové filtračné sitko pre zachytávanie nečistôt, tak na výmenu použite iba originálne náhradné palivové filtračné sitko.

Skladovanie

Palivový systém

Pozrite si obrázok: 31.



VAROVANIE

Palivo a jeho výpary sú mimoriadne horľavé a výbušné. Oheň alebo výbuch môžu spôsobiť vážne popáleniny alebo smrť.

Skladovanie paliva

- Neskladujte zariadenie v blízkosti kotlov, pecí, ohrievačov vody ani iných spotrebičov, ktoré majú pilotný plameň alebo iné zápalné zdroje, pretože sa môžu vznietiť palivové výpary.

Motor uskladnite vo vodorovnej polohe (štandardná prevádzková poloha). Naplňte palivovú nádrž (A, obrázok 31) palivom. Palivovú nádrž nenapĺňajte nad hrdo a ponechajte priestor na rozpínanie paliva (B).

Keď je palivo uskladňované v skladovacej nádobe viac ako 30 dní, môže sa zvetrať. Do skladovacej nádoby s palivom sa odporúča pridať bezalkoholový stabilizátor paliva a etanolový prostriedok na ošetrovanie paliva, aby sa predišlo znehodnoteniu paliva a aby sa palivo udržiavalo čerstvé.

Keď naplníte skladovacu nádobu palivom, pridajte bezalkoholový stabilizátor paliva podľa pokynov uvedených výrobcom. Ak benzín v motore nebol ošetrovaný stabilizátorom paliva, musí sa vypustiť do schválenej nádoby. Nechajte motor bežať, kým sa nespotrebuje všetko palivo.

Motorový olej

Motorový olej vymeňte kým je motor ešte teplý. Pozrite si časť **Výmena motorového oleja**.

Riešenie problémov

Asistencia

Ak potrebujete pomoc, obráťte sa na svojho miestneho zástupcu alebo navštívte stránku **BRIGGSandSTRATTON.COM**, alebo zavolajte na tel. č. **1-800-444-7774** (v USA).

Technické parametre a náhradné diely

Technické parametre	Model: 10V000	Model: 12V000
Zdvihový objem	10.313 kubický palec (169 cm ³)	12.387 kubický palec (203 cm ³)
Priemer valca	2.44 in (62 mm)	2.677 in (68 mm)
Zdvih	2.204 in (56 mm)	2.204 in (56 mm)
Objem oleja	18 - 20 unca (.54 - .59 l)	18 - 20 unca (.54 - .59 l)
Reduktor mokrej spojky 2:1 – typ oleja	10W-30	10W-30
Reduktor mokrej spojky 2:1 – objem oleja	10 unca (.30 l)	10 unca (.30 l)
Reduktor 6:1 – typ oleja	80W-90	80W-90
Reduktor 6:1 – objem oleja	4 unca (12 l)	4 unca (12 l)
Vzdialenosť elektród zapalovacej sviečky	.030 in (.76 mm)	.030 in (.76 mm)
Uťahovací moment zapalovacej sviečky	180 lb-palec (20 Nm)	180 lb-palec (20 Nm)
Vzduchová medzera armatúry	.010 - .013 in (.25 - .35 mm)	.010 - .013 in (.25 - .35 mm)
Vôľa nasávacieho ventilu	.004 - .006 in (.10 - .15 mm)	.004 - .006 in (.10 - .15 mm)
Vôľa výfukového ventilu	.005 - .007 in (.15 - .20 mm)	.005 - .007 in (.15 - .20 mm)

Technické parametre	Model: 25V000
Zdvihový objem	24.898 kubický palec (408 cm ³)
Priemer valca	3.465 in (88 mm)
Zdvih	2.638 in (67 mm)
Skrutka montážnej konzoly kábla	30 lb-palec (3,4 Nm)
Skrutka drôteného držiaka	25 lb-palec (2,8 Nm)
Objem oleja	18 - 20 unca (.54 - .59 l)
Vzdialenosť elektród zapalovacej sviečky	.030 in (.76 mm)
Uťahovací moment zapalovacej sviečky	180 lb-palec (20 Nm)
Vzduchová medzera armatúry	.010 - .013 in (.25 - .35 mm)
Vôľa nasávacieho ventilu	.004 - .006 in (.10 - .15 mm)
Vôľa výfukového ventilu	.005 - .007 in (.15 - .20 mm)

Výkon motora sa zníži o 3,5 % na každých 1 000 stôp (300 metrov) nadmorskej výšky a o 1 % na každých 10 °F (5,6 °C) nad 77 °F (25 °C). Motor bude spoľahlivo pracovať pri sklone do 30°. Pozrite si návod na obsluhu zariadenia, kde sú uvedené bezpečné prípustné pracovné limity na svahoch.

Servisné diely

Ak si chcete kúpiť servisné diely Briggs & Stratton, vyhľadajte autorizovaného servisného zástupcu na lokalite **BRIGGSandSTRATTON.COM**. Budete potrebovať svoje identifikačné číslo (model – typ – výbava). Identifikačné číslo motora nájdete v časti **Features and Controls** (Dôležité diely a ovládacie prvky).

Výkonové parametre

Celkový výkon jednotlivých benzínových motorov je označovaný v súlade s normou SAE (Spoločnosť automobilových inžinierov) J1940 Postup stanovovania výkonu a krútiaceho momentu malých motorov a určovaný v súlade s normou SAE J1995. Hodnoty krútiacich momentov sú získané pri 2 600 ot./min pre tie motory, ktoré majú na štítku uvedené „rpm“ a 3 060 ot./min pre všetky ostatné; hodnoty konštruktívnych síl sú získané pri 3 060 ot./min. Celkové výkonostné krivky si môžete pozrieť na stránke **www.BRIGGSandSTRATTON.COM**. Hodnoty skutočného výkonu sú vypočítané s nainštalovaným filtrom vzduchu a filtrom výfukových spodín a hodnoty nominálneho výkonu boli stanovené bez týchto prípojných jednotiek. Hodnota nominálneho výkonu motora bude vyššia ako hodnota skutočného výkonu motora a okrem iného je ovplyvnená okolitými prevádzkovými podmienkami a variabilitou jednotlivých motorov. Vzhľadom na veľký počet výrobkov, v ktorých môže byť motor nainštalovaný, benzínový motor nemusí dosahovať svoj celkový nominálny výkon pri použití určitého motorového zariadenia. Tento rozdiel je zapríčinený rôznymi faktormi vrátane (okrem iného) prvkov motora (vzduchový čistič, výfuk, nabíjanie, chladenie, karburátor, palivové čerpadlo atď.), obmedzení použitia, okolitých prevádzkových podmienok (teplota, vlhkosť, nadmorská výška) a variability jednotlivých motorov. Z dôvodu výrobných a kapacitných obmedzení môže spoločnosť Briggs & Stratton nahradiť motory tejto série motormi s vyšším menovitým výkonom.

Záruka

Záruka na motory Briggs & Stratton®

Platná od augusta 2022

Obmedzená záruka

Spoločnosť Briggs & Stratton garantuje, že podľa svojho vlastného uváženia počas záručnej lehoty uvedenej dole zdarma opraví alebo vymení každý chybný diel, ak ide o materiálovú alebo výrobnú chybu či kombináciu oboch, za nový, opravený alebo repasovaný diel. Prepravné náklady výrobku predloženého na opravu alebo výmenu podľa tejto záruky musí niesť kupujúci. Táto záruka platí na obdobie a za podmienok stanovených ďalej. Pri potrebe záručného servisu môžete vyhľadať najbližšieho autorizovaného servisného zástupcu na našej mape na vyhľadávanie zástupcov na stránke **BRIGGSandSTRATTON.COM**. Kupujúci sa musí obrátiť na autorizovaného servisného predajcu a poskytnúť mu výrobok na kontrolu a testovanie.

Neexistuje žiadna iná výslovná záruka. Predpokladané záruky vrátane záruk predajnosti a vhodnosti pre konkrétny účel, sú obmedzené na jeden rok od kúpy, alebo v rozsahu povolenom zákonom. Všetky ostatné predpokladané záruky sú vylúčené. Zodpovednosť za náhodné alebo následné škody je vylúčená v rozsahu vylúčenia dovoleného legislatívne. Niektoré štáty alebo krajiny neumožňujú obmedzenia alebo to, ako má dlho implikovaná záruka platiť, pričom niektoré štáty alebo krajiny neumožňujú vylúčenie alebo obmedzenie náhodných alebo následných škôd, a tak sa uvedené obmedzenie nemusí na vás vzťahovať. Táto záruka vám dáva konkrétne zákonné práva a môžete mať aj ďalšie práva, ktoré sú rôzne v rôznych štátoch a krajinách.

Štandardné záručné podmienky^{1, 2}

Vanguard®; Komerčná séria

Spotrebiteľské použitie – 36 mesiacov

Komerčné použitie – 36 mesiacov

Rad XR

Spotrebiteľské použitie – 24 mesiacov

Komerčné použitie – 24 mesiacov

Všetky ostatné motory s liatinovou vložkou valca Dura-Bore™

Spotrebiteľské použitie – 24 mesiacov

Komerčné použitie – 12 mesiacov

Všetky ďalšie motory

Spotrebiteľské použitie – 24 mesiacov

Komerčné použitie – 3 mesiace

¹ Toto sú naše štandardné záručné podmienky, niekedy môže však existovať doplnkové záručné krytie, ktoré nebolo stanovené v čase publikácie.

Zoznam aktuálnych záručných podmienok pre svoj motor nájdete na stránke **BRIGGSandSTRATTON.COM**, alebo sa obráťte na svojho autorizovaného servisného zástupcu Briggs & Stratton.

² Záruka neplatí pre motory nainštalované na zariadeniach používaných ako základné zdroje elektrického prúdu namiesto elektrárenskej distribučnej spoločnosti, na

záložných generátoroch používaných na komerčné účely, úžitkových vozidlách nad 25 MPH alebo motory používané pri športových pretekoch alebo na komerčných alebo nájomných pretekárskych tratiach.

* V Austrálii – náš tovar sa dodáva so zárukami, ktoré nemôžu byť vylúčené podľa austrálskeho zákona na ochranu spotrebiteľov. Máte nárok na výmenu alebo vrátenie peňazí v prípade závažnej poruchy a na náhradu primerane predvídateľných strát alebo škôd. Tiež máte nárok na opravu alebo výmenu tovaru, ak opravený alebo vymenený tovar nedosahuje prijateľnú kvalitu, aj ak porucha takéhoto tovaru nepredstavuje závažnú poruchu. Ak potrebujete vykonať záručný servis, na našej mape na vyhľadávanie zástupcov na stránke BRIGGSandSTRATTON.COM vyhľadajte najbližšieho autorizovaného servisného zástupcu alebo zavolajte na tel. č. 1300 274 447, alebo pošlite email na adresu salesenquiries@briggsandstratton.com.au, alebo napíšte na adresu Briggs & Stratton Australia Pty Ltd, 1 Moorebank Avenue, Moorebank, NSW, Austrália, 2170.

Záručná lehota sa začína dňom zakúpenia prvým maloobchodným spotrebiteľom alebo komerčným koncovým užívateľom a trvá čas uvedený v tabuľke vyššie. „Spotrebiteľské použitie“ znamená používanie maloobchodným spotrebiteľom v rámci osobného, domáceho použitia. „Komerčné použitie“ znamená všetky ostatné použitia, vrátane používania na komerčné účely, zárobkovú činnosť alebo na účely prenajímania. Keď už bol raz motor použitý na komerčné účely, tak pre účely tejto záruky bude považovaný za komerčne používaný motor.

Na získanie záruky na výrobky značky Briggs & Stratton nie je potrebná žiadna registrácia záruky. Uschovajte si doklad o nákupe. Ak počas vykonávania záručného servisu neposkytnete doklad o prvotnom nákupe s uvedeným dátumom, na účel stanovenia záruky sa použije dátum výroby výrobku.

O vašej záruke

Táto záruka platí iba na chybný materiál alebo nesprávne spracovanie materiálu motora a nie na výmenu alebo preplatenie zariadenia, na ktorom môže byť motor namontovaný. Táto záruka sa nevzťahuje na bežnú údržbu, nastavovanie alebo normálne opotrebenie a poškodenie. Podobne záruka neplatí, ak bol motor pozmenený alebo upravený, alebo ak bolo poškodené alebo odstránené výrobné číslo motora. Táto záruka neplatí na poškodenie motora alebo problémy s výkonom spôsobené:

1. Použitím dielov, ktoré nie Briggs & Stratton
2. Prevádzkovaním motora, v ktorom je nevhodný, znečistený olej, alebo olej nesprávnej triedy;
3. Používaním znečisteného alebo zvetraného paliva, benzínu s viac než 10 % primiešaného etanolu alebo používaním alternatívnych palív, ako napríklad skvapalneného plynu alebo zemného plynu, v motoroch, ktoré neboli pôvodne navrhnuté/vyrobené spoločnosťou Briggs & Stratton na používanie týchto alternatívnych palív;
4. Špinou, ktorá vnikla do motora z dôvodu nesprávnej údržby alebo nesprávneho zmontovania vzduchového filtra;
5. Nárazom rotačného noža kosačky na trávu do pevného predmetu, uvoľneným alebo nesprávne namontovaným adaptérom noža, uvoľneným ozubeným kolesom, alebo inými dielmi mechanicky spojenými s kľukovým hriadeľom, alebo príliš silno napnutým klinovým remeňom;
6. Mechanicky pripojenými dielmi alebo zostavami, ako sú spojky, prevodovky, ovládacie prvky zariadenia, na ktorom je namontovaný motor atď., ktoré nie sú dodané spoločnosťou Briggs & Stratton;
7. Prehriatím spôsobeným pokosenou trávou, špinou alebo hniezdami hľadavcov, ktoré upchávajú alebo zanesú chladiace rebrá, alebo priestor zotrvačníka, alebo nedostatočným vzduchovým chladením pracujúceho motora;
8. Nadmernými vibráciami spôsobenými príliš vysokými otáčkami, uvoľnenými uchytенím motora, uvoľnenými alebo nevyváženými nožmi alebo ozubenými kolesami, alebo nesprávnym pripojením dielov zariadenia, na ktorom je namontovaný motor, ku kľukovému hriadeľu;
9. Nesprávnym používaním, nedostatočnou bežnou údržbou, nesprávnou prepravou, manipuláciou alebo skladovaním zariadenia, na ktorom je namontovaný motor, alebo nesprávnou montážou motora do zariadenia.

Záručný servis je k dispozícii len prostredníctvom autorizovaných servisných zástupcov spoločnosti Briggs & Stratton. Vyhľadajte svojho najbližšieho autorizovaného servisného zástupcu prostredníctvom našej mapy na vyhľadávanie zástupcov na stránke spoločnosti BRIGGSandSTRATTON.COM, alebo zavolajte na tel. č. 1-800-444-7774 (v USA).

80114782 (Revízia A)

Splošne informacije



Ta priročnik vsebuje varnostne informacije o tveganjih in nevarnostih, povezanih z motorjem, ter načinih za njihovo preprečevanje. Vsebuje tudi navodila o pravilni uporabi in vzdrževanju motorja. Pomembno je, da jih preberete, razumete in upoštevate. **Ta priročnik obdržite za nadaljnjo referenco.**

OPOMBA: Slike in ilustracije v tem priročniku so le informativne in se lahko razlikujejo od vašega modela. Upoštevajte slike, ki ustrezajo konfiguraciji vašega motorja. Po potrebi se posvetujte s pooblaščenim servisierjem.

Za nadomestne dele si zabeležite datum nakupa, model, tip in opremo motorja ter njegovo serijsko številko. Te številke do na motorju. Glejte poglavje **Deli in upravljalni elementi**.

Datum nakupa	
Model, tip in oprema motorja	
Serijska številka motorja	

Podatki za stik z evropsko pisarno

Za vprašanja v zvezi z evropskimi emisijami stopite v stik z našo evropsko pisarno:

Max-Born-Straße 2, 68519 Viernheim, Nemčija.

Stopnja V (5) Evropske unije (EU): Vrednosti ogljikovega dioksida (CO₂)

Vnesite CO₂ v iskalno okence na BriggsandStratton.com, da najdete vrednosti ogljikovega dioksida motorjev Briggs & Stratton s certifikati EU za odobritev tipa.

Varnost upravljavca

Varnostni opozorilni simboli in opozorilne besede



Varnostni opozorilni simbol označuje varnostne informacije o nevarnostih, ki bi lahko povzročile telesne poškodbe. Signalna beseda (**NEVARNOST**, **OPOZORILO** ali **POZOR**) se uporablja za opozarjanje na verjetnost in potencialno resnost telesne poškodbe. Poleg tega se za označevanje vrste tveganja uporablja tudi simbol za tveganje.

NEVARNOST opozarja na nevarnost, **ki bo**, če se ji ne izognemo, povzročila smrt ali težko poškodbo.

OPOZORILO opozarja na nevarnost, **ki bi lahko**, če se ji ne izognemo, povzročila smrt ali težke poškodbe.

POZOR nakazuje tveganje, **ki lahko** v primeru, če se mu ne izognemo, povzroči manjšo ali srednje resno poškodbo.

OPOMBA označuje informacije, ki veljajo za pomembne, vendar niso povezane z nevarnostjo.

Simboli za nevarnost in njihov pomen

	Varnostni podatki o nevarnostih, ki lahko povzročijo telesne poškodbe.		Pred uporabo ali servisiranjem naprave preberite priročnik za uporabnika in se seznanite s celotno vsebino.
	Nevarnost požara		Tveganje eksplozije
	Nevarnost električnega udara		Tveganje izpusta strupenih plinov
	Tveganje zaradi vroče površine		Nevarnost povratnega sunka

	Nevarnost amputacije – gibljivi deli		Raven goriva – največja Ne dolijte prevelike količine
--	--------------------------------------	--	--

Varnostna sporočila



OPOZORILO

Motorji podjetja Briggs & Stratton® niso zasnovani in namenjeni za pogon: kartov za prosti čas; gokartov; otroških, rekreativnih ali športnih terenskih vozil (ATV); motornih koles; vozil na zračno blazino; zrakoplovnih izdelkov; ali vozil, uporabljenih na tekmovanjih, ki jih ni odobrilo podjetje Briggs & Stratton. Za informacije o izdelkih za tekmovalno dirkanje si oglejte www.briggsracing.com. Za uporabo večnamenskih vozil in štirikolesnikov s sopotnikovim sedežem vzporedno z voznikovim (side-by-side) se obrnite na center podjetja Briggs & Stratton za svetovanje glede uporabe moči (1-866-927-3349). Nepravilna uporaba motorja lahko povzroči smrt ali hude poškodbe.

Informacije o recikliranju



Reciklirajte vse zaboje, škatle, izrabljeno olje in akumulatore, kot določajo državni predpisi.

Deli in upravljalni elementi

Upravljalni elementi motorja

Primerjajte črke v oblacihih na slikah 1, 2 in 3 z upravljalnimi elementi motorja na spodnjem seznamu:

- Identifikacijske številke motorja **Model – Tip – Koda**
- Vžigalna svečka
- Rezervoar za gorivo in pokrov
- Čistilnik zraka
- Ročica zaganjalne vrvi
- Merilna palica za olje
- Odprtina za dolivanje olja
- Čep za izpust olja
- Dušilnik zvoka, ščitnik dušilnika zvoka (če je nameščen), lovilec isker (če je nameščen)
- Regulator dušilne lopute/zaporni ventil za gorivo / sistem TransportGuard™
- Regulator dušilne lopute
- Rešetka za dovod zraka
- Stikalo za električni zagon (če je nameščeno)
- Reduktor (če je nameščen)

Nekateri motorji in stroji imajo regulatorje za daljinsko upravljanje. Za mesto in delovanje elementov za daljinsko upravljanje si oglejte priročnik stroja.

Simboli za upravljanje motorja in njihovi pomeni

	Vrtljaji motorja – VISOKI		Vrtljaji motorja – NIZKI
	Vrtljaji motorja – ZAUSTAVITEV		VKLOP – IZKLOP
	Zagon motorja Loputa za hladen zagon ZAPRTA		Zagon motorja Loputa za hladen zagon ODPRTA
	Pokrovček za gorivo Zaporni ventil za gorivo ODPRT		Zaporni ventil za gorivo ZAPRT

Sestavljanje

Predelava regulatorja plina

Standardni motor ima nameščen ročni regulator plina. Za delovanje ročne kontrole dušilne lopute, namestite nadzor dušilne lopute ali pretvorite na fiksno hitrost. Glejte navodila, ki sledijo.

OPOMBA: Hitrost motorja mora biti pravilna, kot je določeno v specifikacijah delovanja proizvajalca opreme. Za pomoč se obrnite na pooblaščenega trgovca Briggs & Stratton.

Ročni regulator plina

1. Ročico regulatorja dušilne lopute / sistema TransportGuard® premaknite (A, slika 4) v položaj IZKLJUČI.
2. Odstranite vzmet (S, slika 4).

Daljinski regulator plina, krmiljen s prepletenim žičnim kablom

Daljinski regulator dušilne lopute, krmiljen s prepletenim žičnim kablom, lahko namestite v dveh smereh: **V smeri glave valja** ali **V smeri naprej**.

V smeri glave valja

1. Ročico regulatorja dušilne lopute / sistema TransportGuard™ premaknite (A, slika 5) v položaj IZKLJUČI.
2. Z 10-mm ključem nekoliko odvijte matico (P, slika 5) na ročici regulatorja dušilne lopute / sistema TransportGuard® (A) za polovico obrata.
3. Matico za pritrditev kabla (J, slika 6) zadržite z 10-mm ključem in nekoliko odvijte vijak (K).
4. Žični kabel (L, slika 6) namestite skozi luknjo v matici za pritrditev kabla (J) in privijte vijak (K). Pazite, da skozi odprtino matice sega največ ½ palca (12,7 mm) žičnega kabla (L).
5. Odvijte vijak (I, slika 6). Oplet kabla (N) pritrdite pod spojko kabla (M) in privijte vijak (I).
6. Preverite delovanje oddaljenega nadzora dušilne lopute. Nadzorni element dušilne lopute premaknite od počasi na hitro 2-3 krat. Zagotovite, da se nadzorni element dušilne lopute in žičnati kabel prosto gibljeta (L, slika 6). Prilagodite matico (P, slika 7) kot je za določen položaj potrebno.

Obrnjeno naprej

1. Nastavite ročico regulatorja dušilne lopute/Transport Guard™:
 - a. **Za modele motorjev 10V000 in 12V000:** Ročico regulatorja dušilne lopute / sistema TransportGuard™ (A, slika 8) premaknite v položaj HITRO.
 - b. **Za modele motorjev 25V000:** Ročico regulatorja dušilne lopute/sistema TransportGuard™ (A, slika 8), premaknite v položaj IZKLJUČI.
2. Z 10-mm ključem nekoliko odvijte matico (P, slika 7) na ročici regulatorja dušilne lopute / sistema TransportGuard® (A) za polovico obrata.
3. Matico za pritrditev kabla (J, slika 8) zadržite z 10-mm ključem in nekoliko odvijte vijak.
4. Žični kabel (L, slika 8) namestite skozi matico za pritrditev kabla (J) in privijte vijak (K). Pazite, da skozi odprtino matice sega največ 1/2 palca (12,7 mm) žičnega kabla (L).
5. Odvijte vijak (I, slika 8). Oplet kabla (N) pritrdite pod spojko kabla (M) in privijte vijak (I).
6. Preverite delovanje oddaljenega nadzora dušilne lopute. Nadzorni element dušilne lopute premaknite od počasi na hitro 2-3 krat. Zagotovite, da se element oddaljenega regulatorja dušilne lopute in kabel (L, 8) prosto premikata. Prilagodite matico (P, slika 7) kot je za določen položaj potrebno.

Daljinski regulator plina, krmiljen s trdnim žičnim kablom

Daljinski regulator dušilne lopute, krmiljen s trdnim žičnim kablom, lahko namestite v štirih smereh: **v smeri glave valja**, **v smeri naprej**, **v smeri levo**, ali **v smeri desno**.

V smeri glave valja

1. Ročico regulatorja dušilne lopute / sistema TransportGuard® premaknite (A, slika 9) v položaj IZKLJUČI.
2. Odstranite vzmet (S, slika 9).
3. Ročico regulatorja dušilne lopute / sistema TransportGuard® premaknite (A, slika 9) v položaj HITRO.
4. Z 10-mm ključem nekoliko odvijte matico (P, slika 4) na ročici regulatorja dušilne lopute / sistema TransportGuard® (A) za polovico obrata.
5. Nastavek trdega žičnega kabla v obliki črke Z (Q, slika 9) namestite na eno izmed luknjic v gonilki (R).
6. Odvijte vijak (I, slika 9). Oplet kabla (N) pritrdite pod spojko kabla (M) in privijte vijak (I).

7. Preverite delovanje oddaljenega nadzora dušilne lopute. Nadzorni element dušilne lopute premaknite od počasi na hitro 2-3 krat. Zagotovite, da se nadzorni element dušilne lopute in žičnati kabel prosto gibljeta (L, slika 9). Prilagodite matico (P, slika 4) kot je za določen položaj potrebno.

Obrnjeno naprej

1. Ročico regulatorja dušilne lopute / sistema TransportGuard® premaknite (A, slika 10) v položaj IZKLJUČI.
2. Odstranite vzmet (S, slika 10).
3. Ročico regulatorja dušilne lopute / sistema TransportGuard® (A, slika 10) premaknite v položaj HITRO.
4. Z 10-mm ključem nekoliko odvijte matico (P, slika 4) na ročici regulatorja dušilne lopute / sistema TransportGuard® (A) za polovico obrata.
5. Nastavek trdega žičnega kabla v obliki črke Z (Q, slika 10) namestite na eno izmed luknjic v gonilki (R).
6. Odvijte vijak (I, slika 10). Oplet kabla (N) pritrdite pod spojko kabla (M) in privijte vijak (I).
7. Preverite delovanje oddaljenega nadzora dušilne lopute. Nadzorni element dušilne lopute premaknite od počasi na hitro 2-3 krat. Zagotovite, da se nadzorni element dušilne lopute in kabel prosto gibljeta (L, slika 10). Prilagodite matico (P, slika 4) kot je za določen položaj potrebno.

Smer levo

1. Ročico regulatorja dušilne lopute / sistema TransportGuard® premaknite (A, slika 11) v položaj IZKLJUČI.
2. Odstranite vzmet (S, slika 4).
3. Ročico regulatorja dušilne lopute / sistema TransportGuard® (A, slika 11) premaknite v položaj HITRO.
4. Z 10-mm ključem nekoliko odvijte matico (P, slika 4) na ročici regulatorja plina / sistema TransportGuard® (A, slika 11) za polovico obrata.
5. Odstranite gumb regulatorja dušilne lopute (W, slika 11), da pridete do luknjice pod njim (S).
6. Nastavek trdega žičnega kabla v obliki črke Z (L, slika 11) namestite skozi luknjico (S) v ročici regulatorja dušilne lopute (A).
7. Odvijte vijak (I, slika 11). Oplet kabla (N) pritrdite pod spojko kabla (M) in privijte vijak (I).
8. Preverite delovanje oddaljenega nadzora dušilne lopute. Nadzorni element dušilne lopute premaknite od počasi na hitro 2-3 krat. Zagotovite, da se nadzorni element dušilne lopute in kabel prosto gibljeta (L, slika 11). Prilagodite matico (P, slika 4) kot je za določen položaj potrebno.

Smer desno

Da daljinsko krmiljen regulator dušilne lopute namestite z desne, potrebujete nosilec za pritrditev kabla (U, slika 12). Glejte razdelek **Specifikacije in servisno deli** glede številke dela. Za nakup nosilca za pritrditev kabla se obrnite na pooblaščenega serviserja podjetja Briggs & Stratton.

1. Ročico regulatorja dušilne lopute / sistema TransportGuard® premaknite (A, slika 12) v položaj IZKLJUČI.
2. Odstranite vzmet (S, slika 4).
3. Odstranite gumb regulatorja dušilne lopute (W, slika 12), da odkrijete luknjico pod njim (S).
4. Ročico regulatorja dušilne lopute / sistema TransportGuard® (A, slika 12) premaknite v položaj HITRO.
5. Z 10-mm ključem nekoliko odvijte matico (P, slika 4) na ročici regulatorja plina / sistema TransportGuard® (A, 12) za polovico obrata.
6. Nastavek trdega žičnega kabla v obliki črke Z (L, slika 12) namestite skozi luknjico (S) v ročici regulatorja dušilne lopute (A).
7. Odstranite vijak (T, slika 12). Nosilec za pritrditev kabla (U) namestite na označenem mestu. Pritrdite nosilec kabla (U) z vijakom (T). Privijte vijak (T) z navorom 30 lb-in (3,4 Nm). Glejte razdelek **Specifikacije in servisni deli**.
8. Odvijte vijak (I, slika 12). Oplet kabla (N) pritrdite pod spojko kabla (M) in privijte vijak (I).
9. Preverite delovanje oddaljenega nadzora dušilne lopute. Nadzorni element dušilne lopute premaknite od počasi na hitro 2-3 krat. Zagotovite, da se daljinski regulator dušilne lopute in kabel prosto gibljeta (L, slika 12). Prilagodite matico (P, slika 4) kot je za določen položaj potrebno.

Motor s fiksno hitrostjo (brez kabla regulatorja plina)

Pri spremembi na **Stalno hitrost motorja**, nadzorni kabel dušilne lopute ni nameščen in izbira hitrosti ni možna. Na voljo je samo VISOKA HITROST motorja.

1. Ročico regulatorja dušilne lopute / sistema TransportGuard® premaknite (A, slika 13) v položaj IZKLJUČI.
2. Odstranite vzmet (S, slika 13).

- Ročica regulatorja dušilne lopute / sistema TransportGuard® premaknite (A, slika 13) v položaj HITRO.
- Prepričajte se, da je vijak držala žice (V, slika 13) poravnan z luknjo v nosilcu. Vijak (V) privijte z navorom do 25 lb-in (2,8 Nm).
- Odstranite regulator (H, slika 13).

OPOMBA: Ročica regulatorja dušilne lopute / sistema TransportGuard® bo odslej samo na dveh položajih: položaj ZAUSTAVITEV / IZKLOP in ZAGON.

- Preko obstoječe oznake za nadzor hitrosti na obrobni plošči (F) namestite novo oznako sistema TransportGuard® z napisom VKLJUČI / IZKLJUČI (O, slika 14).

Delovanje

OPOZORILO



Hlapi goriva so vnetljivi in eksplozivni. Ogenj ali eksplozija lahko povzročita opekline ali smrt.

Če vohate plin

- Ne zaganjajte motorja.
- Ne vklaplajte električnih stikal.
- V bližini ne uporabljajte telefona.
- Zapustite območje.
- Pokličite gasilce.

Ko uporabljate stroj

- Motorja ali stroja ne nagibajte pod kotom, ki bi povzročil razlitje goriva.

Ko predstavljate stroj

- Prepričajte se, da je rezervoar za gorivo PRAZEN oziroma da je zaporni ventil za gorivo, če je nameščen, v ZAPRTEM položaju.

Preverite raven olja

Preden preverite ali dolijete olje

- Motor mora biti v vodoravnem položaju.
- Očistite smeti na površini okoli odprtine za dolivanje olja.
- Za količino olja si ogledajte poglavje **Specifikacije**.

OPOMBA

Podjetje Briggs & Stratton je motor dobavilo brez olja. Proizvajalci ali prodajalci opreme so morda v motor dolili olje. Pred prvim zagonom motorja se prepričajte, da je olje na ustrezni ravni. Dolijte olje, kot je navedeno v navodilih v tem priročniku. Če zažene motor brez olja, se ta poškoduje in ga ni mogoče popraviti v okviru garancije.

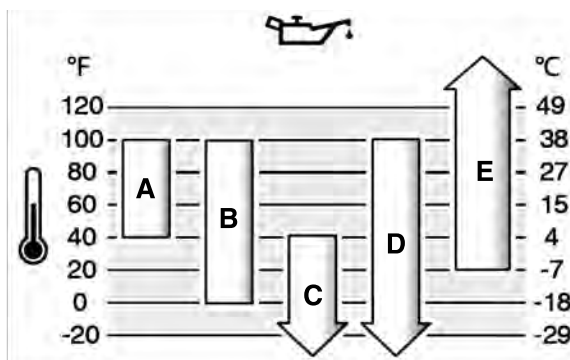
- Odstranite merilno palico (A, slika 15) in jo očistite s krpo.
- Vstavite in privijte merilno palico (A, slika 15).
- Izvlcite merilno palico in preverite raven olja. Prepričajte se, da raven olja dosega vrh oznake POLNO (B, slika 15) na merilni palici.
- Motor ima dve mesti za dolivanje olja (C, G slika 16). Če je raven olja prenizka, ga počasi nalivajte v odprtini za dolivanje olja (C, G). Ne dolijte preveč olja. Po doliitju olja počakajte eno minuto in nato preverite raven olja. Prepričajte se, da je raven olja ustrezna.
- Vstavite in privijte merilno palico (A, slika 15).

Priporočila za olje

Količina olja: Glejte poglavje **Specifikacije**.

Za najboljšo učinkovitost priporočamo uporabo garancijsko potrjenih olj podjetja Briggs & Stratton®. Druga visokokakovostna detergentna olja so dovoljena, če so razvrščena kot olja razredov SF, SG, SH, SJ ali višje. Ne uporabljajte posebnih dodatkov.

S pomočjo diagrama izberite najboljšo viskoznost za pričakovan temperaturni razpon na prostem. Motorji, ki so nameščeni v večini zunanjih strojev, dobro delujejo s sintetičnim oljem 5W-30. Strojem, ki delujejo pri visokih temperaturah, najboljšo zaščito zagotavlja sintetično olje Vanguard® 15W-50.



A	SAE 30 – Pri temperaturah pod 40 °F (4 °C) bo uporaba olja SAE 30 povzročila težji zagon.
B	10W-30 – Nad 80 °F (27 °C) lahko uporaba olja 10W-30 povzroči povečano porabo olja. Raven olja preverjajte pogosto.
C	5W-30
D	Sintetično olje 5W-30
E	Sintetično olje Vanguard® 15W-50

Sistem za nadzor prenizke ravni olja (če je nameščen)

Na nekaterih motorjih je nameščeno tipalo za nizko raven olja. Če je raven olja nizka, tipalo prikaže opozorilno lučko ali ustavi motor. Ustavite motor in izvedite korake, preden zaženete motor.

- Motor mora biti v vodoravnem položaju.
- Preverite olje. Glejte poglavje **Preverjanje ravni olja**.
- Če je raven olja nizka, dodajte ustrezno količino olja. Zaženite motor in se prepričajte, da se opozorilna lučka (če je nameščena) ne prižge.
- Če opozorilna lučka sveti in raven olja ni nizka, ne zaženite motorja. Za odpravo težave z oljem se obrnite na pooblaščenega serviserja podjetja Briggs & Stratton.

Priporočila glede goriva

Gorivo mora izpolnjevati te zahteve:

- Čist, svež neosvinčen bencin.
- Uporabljajte najmanj 87-oktanski bencin (87 AKI (91 RON)). Navodila za uporabo na visoki nadmorski višini si ogledajte spodaj.
- Dovoljen je bencin z največ 10 % etanola (gazohola).

OPOMBA

Ne uporabljajte neodobrenih vrst bencina, kot sta na primer E15 in E85. Ne mešajte olja v bencin oziroma ne predelajte motorja tako, da bi deloval z drugimi gorivi. Uporaba neodobrenih goriv lahko povzroči poškodbe delov motorja, kar ni mogoče popraviti v okviru garancije.

Za zaščito sistema za gorivo pred smolnatimi usedlinami in korozijo gorivu primešajte stabilizator goriva brez vsebnosti alkohola in etanolno raztopino. Glejte poglavje **Shranjevanje**. Niso vsa goriva enaka. Če pri zaganjanju ali delovanju pride do težav, zamenjajte dobavitelja oziroma znamko goriva. Motor je certificiran za delovanje z bencinom. Sistem za nadzor emisij za karburirane motorje je EM (Spremembe motorja). Sistemi za nadzor emisij z elektronskim vbrizgavanjem goriva so ECM (nadzorni modul motorja), MFI (vbrizgavanje skozi več odprtini), TBI (vbrizgavanje skozi ohišje dušilne lopute) in če je vgrajen, O2S (Senzor kisika).

Visoka nadmorska višina

Na nadmorski višini nad 1524 metrov (5000 čevljev) je dovoljen najmanj 85-oktanski/85 AKI (89 RON) bencin.

Pri motorjih z uplinjačem je treba izvesti prilagoditev za visoke nadmorske višine, da bi ohranili ustrezno učinkovitost delovanja. Delovanje brez teh nastavitvev povzroči zmanjšanje učinkovitosti, povečano porabo goriva in povečane emisije. Za informacije o prilagoditvi za visoke nadmorske višine se obrnite na pooblaščenega prodajalca Briggs & Stratton. Motorja s prilagoditvijo za visoko nadmorsko višino ni priporočljivo uporabljati pri nadmorski višini pod 2500 čevljev (762 metrov).

Pri motorjih z elektronskim vbrizgavanjem goriva (EFI) predelava za uporabo na visoki nadmorski višini ni potrebna.

Dolivanje goriva



OPOZORILO

Gorivo in njegovi hlapi so vnetljivi in eksplozivni. Ogenj ali eksplozija lahko povzročita opekline ali smrt.

Ko dolivate gorivo

- Ustavite motor. Preden odstranite pokrovček rezervoarja za gorivo, počakajte vsaj dve (2) minuti, da se prepričate, da je motor hladen.
 - Rezervoar za gorivo polnite na prostem ali v prostoru, ki ima dober pretok zraka.
 - Ne dolijte veliko goriva v rezervoar za gorivo. Zaradi širjenja goriva napolnite le do spodnjega roba vratu rezervoarja za gorivo.
 - Gorivo hranite proč od iskenja, odprtega plamena, kontrolnih lučk, toplote in drugih vnetljivih virov.
 - Pogosto pregledujte, ali so vodi za gorivo, rezervoar za gorivo, pokrovček rezervoarja za gorivo in povezave razpokane oziroma ali puščajo. Poškodovane dele zamenjajte.
 - Če se gorivo razlije, počakajte, da se posuši, preden zaženete motor.
1. Očistite umazanijo in smeti na površini okoli pokrova rezervoarja. Odstranite pokrovček rezervoarja za gorivo.
 2. Rezervoar za gorivo (A, slika 17) napolnite z gorivom. Napolnite ga le do spodnjega roba vratu rezervoarja za gorivo (B), ker se gorivo širi.
 3. Namestite pokrovček rezervoarja za gorivo.

Zagon motorja



OPOZORILO

NEVARNOST ZARADI STRUPENIH PLINOV. Izpuh motorja vsebuje ogljikov monoksid, strupen plin, ki vas lahko ubije v nekaj minutah. Čeprav ne zaznate vonja izpušnih plinov, ste lahko kljub temu izpostavljeni nevarnemu ogljikovemu monoksidu. Če vam je med uporabo tega izdelka slabo oziroma začutite omotico ali slabotnost, pojdite TAKOJ na svež zrak. Poiščite zdravniško pomoč. Morda ste se zastrupili z ogljikovim monoksidom.

- Ogljikov monoksid se lahko nakopiči v zaprtih prostorih. Da zmanjšate nevarnost kopičenja ogljikovega monoksida, ta izdelek uporabljajte LE zunaj in daleč stran od oken, vrat ali prezračevalnih odprtín.
- Namestite baterijske alarme za ogljikov monoksid ali alarme ogljikovega monoksida za vtičnico z baterijo v rezervi, kot je določeno v navodilih proizvajalca. Dimni alarmi ne morejo zaznati ogljikovega monoksida.
- Izdelka NE zaganjajte doma, v garažah, kletih, kletih z nizkim stropom, utah ali drugih zaprtih prostorih, četudi jih prezračujete z ventilatorji ali z odpiranjem oken in vrat. Po uporabi tega izdelka se lahko ogljikov monoksid hitro nakopiči v teh prostorih ter ostane tam še več ur.
- Ta izdelek VEDNO postavite tako, da bo veter pihal stran od njega, izpuh motorja pa naj bo obrnjen stran od mest, kjer se nahajajo ljudje.



OPOZORILO

Gorivo in njegovi hlapi so vnetljivi in eksplozivni. Ogenj ali eksplozija lahko povzročita opekline ali smrt.

Ko zaženete stroj

- Prepričajte se, da so vžigalna svečka, dušilnik zvoka, pokrovček rezervoarja za gorivo in čistilnik zraka (če je vključen) ustrezno nameščeni.
- Motorja ne poskušajte vžigati, ko je vžigalna svečka odstranjena.
- Če je motor zalit, nastavite loputo za hladni zagon (če je nameščen) v položaj ODPRTO ali ZAŽENI. Dušilno loputo (če je nameščena) prestavite v položaj HITRO in motor poganjajte, dokler se ne zažene.
- Če v okolici pušča zemeljski ali utekočinjeni naftni plin, motorja ne zaganjajte.
- Ker so hlapi vnetljivi, ne uporabljajte zagonskih tekočin pod tlakom.



OPOZORILO

Vrtljivi deli se lahko zapletejo v roke, noge, lase, oblačila ali dodatke ter povzročijo travmatično amputacijo ali rane.

- Stroj uporabljajte s pravilno nameščenimi ščitniki.
- Pazite, da vaše roke in noge ne pridejo blizu vrtečih se delov.
- Odstranite nakit in se prepričajte, da dolgi lasje niso v bližini katerih koli vrtljivih delov.
- Ne nosite ohlapnih oblačil ali predmetov, ki bi se lahko ujeli.



OPOZORILO

Hiter povratni vlek zaganjalne vrvi (povratni sunek) potegne roko proti motorju hitreje, kot lahko spustite ročko. Lahko pride do zloma kosti, zmečkanin ali izpaha.

- Da preprečite povratni sunek pri zagonu motorja, počasi vlecite zaganjalno vrv, dokler ne začutite upora, nato pa jo povlecite hitro.
- Pred zagonom motorja odklopite ali odstranite vso zunanjo opremo in bremena motorja.
- Prepričajte se, da so neposredno priključeni sestavni deli stroja, kot so na primer rezila, rotorji, jermenice, verižniki itd., dobro pritrjeni.

OPOMBA: Vaš stroj ima lahko elemente za daljinsko upravljanje. Za mesto in delovanje elementov za daljinsko upravljanje glejte priročnik stroja.

1. Preverite motorno olje. Glejte poglavje **Preverjanje ravni olja**.
2. Poskrbite, da bodo upravljalni elementi za pogon stroja, če obstajajo, sproščeni.
3. Regulator dušilne lopute / sistema TransportGuard® (A, slika 18), če obstaja, premaknite v položaj za hitro delovanje HITRO ali DELOVANJE. Stroj naj deluje v položajih HITRO ali DELOVANJE.
4. Ročico za hladen zagon (B, slika 18) premaknite v položaj ZAPRTO.
Loputa za hladen zagon običajno ni potrebna, če zaganjate topel motor.
5. **Povratni zaganjalnik, če je nameščen:** Trdno primate ročico zaganjalne vrvi (C, slika 18). Počasi vlecite zaganjalno vrv, dokler ne začutite upora, nato jo sunkovito povlecite.



OPOZORILO

Hiter povratni vlek zaganjalne vrvi (povratni sunek) potegne roko proti motorju hitreje, kot lahko spustite ročko. Lahko pride do zloma kosti, zmečkanin ali izpaha.

- Da preprečite povratni sunek pri zagonu motorja, počasi vlecite zaganjalno vrv, dokler ne začutite upora, nato pa jo povlecite hitro.
 - Pred zagonom motorja odklopite ali odstranite vso zunanjo opremo in bremena motorja.
 - Prepričajte se, da so neposredno priključeni sestavni deli stroja, kot so na primer rezila, rotorji, jermenice, verižniki itd., dobro pritrjeni.
6. **Električni zaganjalnik, če obstaja:** Stikalo za električni zagon (D, slika 18) obrnite v položaj za ZAŽENI.

OPOMBA

Če želite podaljšati življenjsko dobo zaganjalnika, napravo zaganjajte v kratkih zagonskih ciklih (največ po pet sekund). Med zagonskimi cikli počakajte eno minuto.

7. Ko se motor ogreje, obrnite ročico za hladen zagon (B, slika 18) v položaj ODPRI.
Če se motor po 2 ali 3 poskusih zagona ne zažene, stopite v stik s svojim lokalnim prodajalcem, obiščite vanguardpower.com ali pokličite 1-800-999-9333 (v ZDA).

Zaustavite motor



OPOZORILO

Gorivo in njegovi hlapi so vnetljivi in eksplozivni. Ogenj ali eksplozija lahko povzročita opekline ali smrt.

- Za zaustavitev motorja ne dušite uplinjača (če obstaja).

Regulator dušilne lopute / TransportGuard®: Ročico regulatorja dušilne lopute / sistema TransportGuard® premaknite (A, slika 19) v položaj IZKLJUČI ali USTAVI.

OPOMBA: Ko je regulator dušilne lopute / sistem TransportGuard® (A, slika 19) v položaju IZKLJUČI ali (USTAVI), je ventil za gorivo v položaju IZKLJUČI. Regulator dušilne lopute / sistem TransportGuard® med prevozom opreme vedno premaknite na položaj IZKLJUČI ali USTAVI.

OPOMBA: Ključ (D, slika 19) ne ustavi motorja. Ključ SAMO zažene motor Vedno odstranite ključ (D) in ga hranite na varnem mestu zunaj dosega otrok.

Vzdrževanje

Informacije o vzdrževanju



OPOZORILO
Gorivo in njegovi hlapi so vnetljivi in eksplozivni. Ogenj ali eksplozija lahko povzročita opekline ali smrt.

Če je treba med vzdrževanjem nagniti enoto, se prepričajte, da je rezervoar za gorivo, če je nameščen na motor, prazen in da je stran z vžigalno svečko zgoraj. Če rezervoar za gorivo ni prazen, lahko pride do iztekanja, kar lahko povzroči požar ali eksplozijo. Če je motor nagnjen v drugo smer, se zaradi onesnaženja zračnega filtra ali vžigalne svečke z oljem ali gorivom ne bo zlahka zagnal.



OPOZORILO
Nenamerno iskrenje lahko povzroči električni udar, požar ali eksplozijo in lahko povzroči zapletanje, travmatično amputacijo ali raztrganine.

Pred izvedbo nastavitve ali popravil:

- Odklopite vse kable vžigalnih svečk in jih hranite stran od vžigalnih svečk.
- Kabel akumulatorja odklopite z negativnega priključka akumulatorja (samo pri motorjih z električnim zagonom).
- Uporabljajte le ustrezno orodje.

Ko preverjate iskenje:

- Uporabljajte odobreno napravo za preizkušanje vžigalne svečke.
- Iskrenja ne preverjajte, kadar so vžigalne svečke odstranjene.



OPOZORILO
Nadomestni deli morajo biti enaki in nameščeni v enakem položaju kot prvotni deli. Drugi deli lahko povzročijo škodo ali telesne poškodbe.

OPOMBA
Za pravilno delovanje tega izdelka morajo biti vsi njegovi sestavni deli pravilno nameščeni.

Za vzdrževanje in servisiranje motorja in njegovih delov se obrnite na pooblaščenega serviserja družbe Briggs & Stratton.

Pregled nadzora emisij

Za vzdrževanje, zamenjavo ali popravilo naprav in sistemov za nadzor emisij se obrnite na kvalificiran servis za popravilo terenskih motorjev oziroma na usposobljenega serviserja. Za »brezplačno« servisiranje naprave za nadzor emisij mora delo opraviti tovarniško pooblaščen prodajalec. Glejte izjave o nadzoru emisij.

Razpored vzdrževanja

Po prvih 5 urah
<ul style="list-style-type: none">• Zamenjajte olje.
Interval 8 ur ali enkrat dnevno
<ul style="list-style-type: none">• Preverite raven motornega olja.• Očistite območje okrog dušilca zvoka in upravljalnih elementov.• Očistite mrežico dovoda zraka.
Interval 100 ur ali enkrat letno
<ul style="list-style-type: none">• Servisirajte izpušni sistem.• Menjava olja v reduktorju (če je nameščen).
Interval 200 ur ali enkrat letno
<ul style="list-style-type: none">• Zamenjajte motorno olje.• Očistite zračni filter¹
Interval 600 ur ali 3 leta
<ul style="list-style-type: none">• Zamenjajte zračni filter.
letno
<ul style="list-style-type: none">• Zamenjajte vžigalno svečko.• Servisiranje sistema za gorivo.• Servisirajte sistem za zračno hlajenje¹.• Preverite razmik ventila².

¹V prašnih razmerah ali kadar je v zraku veliko delcev čistite pogosteje.

²Ni potrebno, razen v primeru težav z motorjem.

Uplinjač in vrtljaji motorja

Vrtljajev motorja ne nastavljaite z uplinjačem, spreminjanjem krmilne vzmeti, povezav ali drugih delov. Če so potrebne kakršnekoli nastavitve, se za servisno pomoč obrnite na pooblaščenega serviserja podjetja Briggs & Stratton.

OPOMBA

Proizvajalec opreme določi najvišje število vrtljajev motorja, nameščenega na stroj. Ne prekoračite tega števila vrtljajev. Če niste prepričani, kakšna je najvišja hitrost stroja oziroma na kakšne vrtljaje je motor tovarniško nastavljen za delovanje, se za pomoč obrnite na pooblaščenega serviserja podjetja Briggs & Stratton. Za varno in pravilno delovanje stroja mora vrtljaje motorja nastaviti le usposobljen serviser.

Servisiranje vžigalnih svečk

Preverite razmik (A, slika 20) z merilnim lističem (B). Po potrebi nastavite razmik med elektrodama vžigalne svečke. Vžigalno svečko namestite in privijte s priporočenim navorom. Za razmik ali navor glejte poglavje **Specifikacije**.

Servisiranje izpušnega in hladilnega sistema



OPOZORILO
Med delovanjem se motor in dušilnik zvoka zelo segrejeta. Če se dotaknete vročega motorja, lahko pride do opeklin.

Gorljivi materiali, kot so listje, trava, dračje itd., se lahko vnamejo.

- Preden se dotaknete motorja ali dušilnika zvoka, ustavite motor in počakajte dve (2) minuti. Prepričajte se, da se je varno dotakniti motorja in dušilnika zvoka.
- Odstranite smeti iz dušilnika zvoka in motorja.

Po Oddelku 4442 kalifornijskega Zakona o javnih virih (Public Resource Code) je motorne naprave prepovedano uporabljati na vseh gozdnih, grmičastih in travnatih površinah, če nameščen izpušni sistem ni opremljen z lovilec isker, ki je določen v oddelku 4442, in ustrezno vzdrževan v dobrem delovnem stanju. Druge države ali zvezne oblasti imajo lahko podobne zakone. Glejte zvezni predpis 36 CFR, oddelek 261.52. Obrnite se na proizvajalca, prodajalca ali trgovca originalne opreme, da vam priskrbi originalni lovilec isker, zasnovan za izpušni sistem, ki je nameščen na tem motorju.

Ta motor ima zračno hlajenje. Nečistoče ali neželeni material lahko preprečijo pretok zraka in povzročijo pregrevanje motorja. zaradi tega pride do nezadostne zmogljivosti in krajše življenjske dobe motorja. Na hladilnih rebrih valja se lahko nabere neželen material, ki se brez delne razstavitve motorja ne da odstraniti. Zagotovite, da bo sistem za zračno hlajenje pregledal in očistil pooblaščen serviser družbe Briggs & Stratton. Glejte poglavje **Načrt vzdrževanja**.

1. Prepričajte se, da v bližini dušilnika zvoka ali za njim ni vnetljivih materialov.
2. Za odstranitev neželenega materiala s pokrova ohišja ventilatorja, dušilnika zvoka in valja uporabite krtačo ali suho krpo. Za čiščenje motorja NE uporabljajte vode.
3. Prepričajte se, da so povezave, vzmeti in upravljalni elementi čisti.
4. Preglejte, ali so na dušilniku zvoka razpoke, korozija ali druge poškodbe.
5. Odstranite deflektor ali lovilec isker, če je nameščen, in se prepričajte, da ni poškodb ali nakopičenosti ogljika. Prepričajte se, da pred uporabo opreme očistite ali namestite nadomestne dele.
6. Če so nameščena, poskrbite, da so rebra hladilnika olja čista.

Menjava motornega olja



OPOZORILO
Gorivo in njegovi hlapi so vnetljivi in eksplozivni. Ogenj ali eksplozija lahko povzročita opekline ali smrt.

Med delovanjem se motor in dušilnik zvoka zelo segrejeta. Če se dotaknete vročega motorja, lahko pride do opeklin.

- Če olje praznite skozi cev za dolivanje olja na vrhu, mora biti rezervoar za gorivo prazen. Če ni prazen, lahko pride do iztekanja goriva, kar lahko povzroči požar ali eksplozijo.
- Preden se dotaknete motorja ali dušilnika zvoka, ustavite motor in počakajte dve (2) minuti. Prepričajte se, da se je varno dotakniti motorja in dušilnika zvoka.

Uporabljeno olje je nevaren odpadni izdelek in ga je treba zavreči na pravilen način. Ne odstranjujte ga skupaj z gospodinjstvi odpadki. Za varno odstranjevanje ali recikliranje se obrnite na lokalne organe, servisni center ali prodajalca.

Pri modelih **Just Check & Add™** menjava olja ni potrebna. Če je treba menjati olje, upoštevajte spodnji postopek.

Odstranjevanje olja

1. Ob ugasjenem, a še vedno toplem motorju, odklopite kable vžigalnih svečk (D, slika 21) in jih hranite proč od svečk (E).
2. Izvlecite merilno palico (A, slika 22).
3. Motor ima dva drenažna ventila za olje (H, F, slika 23). Odstranite drenažna ventila za olje (H, F). Olje izpusite v odobreno posodo.
4. Namestite in privijte čep odprtine za izpust olja (H, F, slika 23).

Dolivanje olja

- Motor mora biti v vodoravnem položaju.
- Z območja za dolivanje olja odstranite ves neželeni material.
- Za količino olja si oglejte poglavje **Specifikacije**.

1. Izvlecite merilno palico za olje. Glejte poglavje **Odstranjevanje olja**.
2. Počasi nalijte olje v odprtino za dolivanje olja (C, G, slika 24). Ne dolijte preveč olja.
3. Počakajte eno minuto in ponovno preverite raven olja.
4. Vstavite merilno palico.
5. Izvlecite merilno palico in preverite raven olja. Olje mora segati do vrha oznake na merilni palici. Glejte poglavje **Preverjanje ravni olja**.
6. Ponovno vstavite in privijte merilno palico za olje.
7. Priključite kabel(-le) vžigalne svečke na vžigalno(-e) svečko(-e). Oglejte si poglavje **Odstranjevanje olja**.

Zamenjava olja reduktorja

Nekateri motorji so opremljeni z reduktorjem. Če je nameščen, glejte korake za enega od reduktorjev, ki sledijo.

Verižni reduktor 2:1

Če ima motor reduktor 2:1 (G, slika 25), menjava olja ni potrebna. Olje v motorju hkrati deluje kot mazivo za verižni reduktor.

Reduktor 2:1 z mokro sklopko

Če ima motor reduktor 2:1, opravite naslednje korake:

1. Izvlecite merilno palico (A, slika 26).
2. Odstranite čep za izpust olja (B, slika 26) in izpusite olje v odobreno posodo.
3. Namestite in privijte čep odprtine za izpust olja (B, slika 26).
4. Počasi nalijte strojno olje v odprtino za dolivanje olja (C, slika 26). Glejte poglavje **Specifikacije**.
5. Vstavite merilno palico (A, slika 26).
6. Izvlecite merilno palico (A, slika 26) in preverite raven olja. Olje mora segati do oznake FULL (D) na merilni palici.
7. Vstavite merilno palico (A, slika 26).

Reduktor 6:1

Če ima motor reduktor 6:1, opravite naslednje korake:

1. Odstranite čep odprtine za dolivanje olja (A, slika 27) in čep za preverjanje ravni olja (B).
2. Odstranite čep za izpust olja (C, slika 27) in izpusite olje v odobreno posodo.
3. Namestite in privijte čep odprtine za izpust olja (C, slika 27).
4. Olje reduktorja (80W-90) počasi vlivajte v odprtino za dolivanje olja (D, slika 27). Še naprej vlivajte olje reduktorja (80W-90), dokler olje ne začne iztekati iz odprtine za preverjanje ravni olja (E).
5. Namestite in privijte čep za preverjanje ravni olja (B, slika 27).
6. Namestite in privijte čep odprtine za dolivanje olja (A, slika 27).

OPOMBA: Čep odprtine za dolivanje olja (A, slika 27) ima odzračevalno odprtino (F) in mora biti nameščen na vrh okrova reduktorja, kot je prikazano.

Servisiranje zračnega filtra

OPOZORILO

Hlapi goriva so vnetljivi in eksplozivni. Ogenj ali eksplozija lahko povzročita opekline ali smrt.

- Motorja ne zaganjajte oziroma ga ne uporabljajte, kadar je sklop čistilnika zraka (če obstaja) ali zračni filter (če obstaja) odstranjen.

OPOMBA

Za čiščenje filtra ne uporabljajte zraka pod tlakom ali topil. Zrak pod tlakom lahko poškoduje filter, topila pa ga raztopijo.

Servisne zahteve si oglejte v poglavju **Razpored vzdrževanja**.

Različni modeli uporabljajo penasti ali papirnati filter. Nekateri modeli imajo lahko tudi izbirni predfilter, ki ga je mogoče očistiti in ponovno uporabiti. Primerjajte ilustracije v tem priložniku z vrsto, nameščeno na vaš motor, in servisirajte po napotkih.

Papirnati zračni filter

1. Sprostite spojna elementa (C, slika 28).
2. Odstranite pokrov (A, slika 28) in filter (B).
3. Umazanijo očistite tako, da z zračnim filtrom (B, slika 28) rahlo udarite ob trdo površino. Če je filter prekomerno umazan, ga zamenjajte z novim.
4. Namestite filter (B, slika 28).
5. Namestite pokrov (A, slika 28) in ga pritrdite s spojnim(a) elementom(a) (C). Pritrdilna elementa morata biti dobro privita.

Papirnati zračni filter – nizkoprofilni

1. Odprite zapah (A, slika 29), da odklenete pokrov (C).
2. Jezička (B, slika 29) potisnite noter in odstranite pokrov (C).
3. Odstranite filter (D, slika 29).
4. Umazanijo očistite tako, da z zračnim filtrom (D, slika 29) rahlo udarite ob trdo površino. Če je filter prekomerno umazan, ga zamenjajte z novim.
5. Namestite filter (D, slika 29).
6. Namestite pokrov (G, slika 29). Zapah (A) pomaknite v zaklenjen položaj.

OPOMBA: Preverite prileganje tesnila iz pene (E, slika 29). Prepričajte se, da je obod tesnila iz pene pravilno nameščen na kanal (F).

Servisiranje sistema za gorivo



OPOZORILO

Gorivo in njegovi hlapi so vnetljivi in eksplozivni. Ogenj ali eksplozija lahko povzročita opekline ali smrt.

- Gorivo hranite proč od iskrenja, odprtega plamena, kontrolnih lučk, toplote in drugih vnetljivih virov.
- Pogosto pregledujte, ali so vodi za gorivo, rezervoar za gorivo, pokrovček rezervoarja za gorivo in povezave razpokane oziroma ali puščajo. Poškodovane dele zamenjajte.
- Če se gorivo razlije, počakajte, da se posuši, preden zaženete motor.

Filter goriva, če je nameščen

1. Odstranite pokrovček rezervoarja za gorivo (A, Slika 30).
2. Odstranite mrežasti filter za gorivo (B, slika 30).
3. Če je filter za gorivo umazan, ga očistite ali zamenjajte. Če menjate filter za gorivo, ga zamenjajte z originalnim nadomestnim filtrom.

Shranjevanje

Sistem za gorivo

Glejte sliko: 31.



OPOZORILO

Gorivo in njegovi hlapi so vnetljivi in eksplozivni. Ogenj ali eksplozija lahko povzročita opekline ali smrt.

Hramba goriva

- Ker lahko kontrolne lučke ali drugi viri vžiga povzročijo eksplozije, shranjujte gorivo stran od peči, štedilnikov, grelnikov za vodo ali drugih naprav, ki imajo kontrolne lučke.

Motor naj bo v vodoravni legi (običajen položaj za delovanje). Rezervoar za gorivo (A, slika 31) napolnite z gorivom. Zaradi širjenja goriva ne napolnite čez rob vratu rezervoarja za gorivo (B).

Gorivo se lahko postara, kadar se hrani v posodi za shranjevanje več kot 30 dni. Priporoča se uporaba stabilizatorja goriva brez vsebnosti alkohola in etanolno raztopino v posodi za shranjevanje goriva, da se prepreči razpad goriva in ohrani njegova svežina.

Vsakič, ko napolnite posodo z gorivom, vanj dodajte stabilizator goriva brez vsebnosti alkohola skladno z navodili proizvajalca. Če bencinu v motorju ni bil dodan stabilizator goriva, ga morate izpustiti v odobreno posodo. Pustite motor teči, dokler mu ne zmanjka goriva.

Motorno olje

Ko je motor še topel, zamenjajte motorno olje. Glejte poglavje **Preverjanje in dolivanje motornega olja**.

Odpravljanje težav

Pomoč

Za pomoč se obrnite na trgovca ali obiščite BRIGGSandSTRATTON.COM ali pokličite **1-800-444-7774** (v ZDA).

Specifikacije in nadomestni deli

Specifikacije	Model: 10V000	Model: 12V000
Gibna prostornina	10.313 kubični palci (169 cm ³)	12.387 kubični palci (203 cm ³)
Vrtina valja	2.44 palec (62 mm)	2.677 palec (68 mm)
Hod bata	2.204 palec (56 mm)	2.204 palec (56 mm)
Prostornina posode za olje	18 - 20 unče (.54 - .59 l)	18 - 20 unče (.54 - .59 l)
Reduktor z mokro sklopko 2:1 - Vrsta olja	10W-30	10W-30
Reduktor z mokro sklopko 2:1 - Kapaciteta olja	10 unče (.30 l)	10 unče (.30 l)
6:1 Reduktor menjalnika - Vrsta olja	80W-90	80W-90
6:1 Reduktor menjalnika - Kapaciteta olja	4 unče (12 l)	4 unče (12 l)
Razmik med elektrodama vžigalne svečke	.030 palec (.76 mm)	.030 palci (.76 mm)
Zatezni moment za vžigalno svečko	180 funt-palci (20 Nm)	180 funt-palci (20 Nm)
Zračna reža ohišja	.010 - .013 palci (.25 - .35 mm)	.010 - .013 palci (.25 - .35 mm)
Hod sesalnega ventila	.004 - .006 palci (.10 - .15 mm)	.004 - .006 palci (.10 - .15 mm)
Hod izpušnega ventila	.005 - .007 palci (.15 - .20 mm)	.005 - .007 palci (.15 - .20 mm)

Specifikacije	Model: 25V000
Gibna prostornina	24.898 kubični palci (408 cm ³)
Vrtina valja	3.465 palec (88 mm)
Hod bata	2.638 palci (67 mm)
Vijak nosilca kabla	30 funt-palci (3,4 Nm)
Vijak držala žice	25 funt-palci (2,8 Nm)
Prostornina posode za olje	18 - 20 unče (.54 - .59 l)
Razmik med elektrodama vžigalne svečke	.030 palec (.76 mm)
Zatezni moment za vžigalno svečko	180 funt-palci (20 Nm)
Zračna reža ohišja	.010 - .013 palec (.25 - .35 mm)
Hod sesalnega ventila	.004 - .006 palec (.10 - .15 mm)
Hod izpušnega ventila	.005 - .007 palec (.15 - .20 mm)

Moč motorja se zmanjša za 3,5 % na vsakih 1000 čevljev (300 metrov) dodatne nadmorske višine in 1 % na vsakih 10 °F (5,6 °C) nad 77 °F (25 °C). Motor bo deloval zadovoljivo pod kotom do 30°. Za varne dovoljene meje delovnega območja na nagibih si ogledite priročnik za uporabo stroja.

Nadomestni deli

Za nakup nadomestnih delov Briggs & Stratton poiščite pooblaščenega serviserja na BRIGGSandSTRATTON.COM. Potrebovali boste identifikacijsko številko (model, tip, oprema). Če želite poiskati identifikacijsko številko motorja, glejte poglavje **Deli in upravljalni elementi**.

Nazivna moč

Nazivna vrednost bruto moči motorja posameznih modelov bencinskih motorjev je označena v skladu s standardom SAE (Zveza inženirjev v avtomobilski industriji) J1940 Postopek določanja nazivnega navora in moči majhnih motorjev, njena nazivna vrednost pa je določena skladno s SAE J1995. Vrednosti navora se računajo pri 2600 vrt./min za motorje z oznako »rpm«; za vse ostale motorje se vrednosti računajo pri 3060 vrt./min. Vrednosti konjskih moči se računajo pri 3600 vrt./min. Krivulje bruto moči si lahko ogledate na www.BRIGGSandSTRATTON.COM. Vrednosti neto moči so izmerjene z nameščenim izpušnim sistemom in sistemom čiščenja zraka, medtem ko so vrednosti bruto moči pridobljene brez teh priključkov. Dejanska bruto moč motorja bo višja od neto moči motorja in je med drugim odvisna od dejanskih delovnih razmer okolja in razlik med posameznimi motorji. Glede na široko ponudbo izdelkov, v katere

so ti motorji nameščeni, bencinski motor morda ne bo dosegal ocenjene skupne moči, če se uporablja v določenem delu opreme. Razlika je posledica vrste vplivov, ki med drugim vključujejo različne sestavne dele motorja (zračni filter, izpuh, polnjenje, hlajenje, uplinjač, črpalka za gorivo itd.), omejitve uporabe, delovne razmere okolja (temperatura, vlaga, nadmorska višina) in razlike med posameznimi motorji. Zaradi omejitev v proizvodnji in zmogljivosti lahko podjetje Briggs & Stratton motor te serije zamenja z motorjem z višjo nazivno močjo.

Garancija

Garancija za motorje Briggs & Stratton®

V veljavi od avgusta 2022

Omejena garancija

Podjetje Briggs & Stratton jamči, da bo v spodaj navedenem garancijskem obdobju brez dodatnih stroškov po lastni presoji popravilo ali z novim oziroma obnovljenim delom zamenjalo kateri koli del, na katerem se je pojavila okvara zaradi materiala ali izdelave ali obojega. Stroške prevoza izdelka, ki je poslan v popravilo ali v zamenjavo pod to garancijo, mora nositi kupec. Ta garancija velja za obdobja in skladno s pogoji, kot je navedeno spodaj. Za servis v okviru garancije poiščite najbližjega pooblaščenega serviserja na zemljevidu našega orodja za iskanje prodajalcev na BRIGGSandSTRATTON.COM. Kupec mora stopiti v stik s pooblaščenim servisnim centrom in temu centru izdelek posredovati v pregled in testiranje.

Dругih izrecnih garancij ni. Nakazane garancije, vključno z garancijami tržnosti in primernosti za določen namen, so omejene na čas enega leta od nakupa oziroma do roka, ki je zakonsko določen. Vse druge nakazane garancije so izključene. Odgovornost za naključno ali posledično škodo je izključena v obsegu, ki ga dopušča zakon. Nekatere države ne dopuščajo omejitve trajanja nakazane garancije, nekatere pa ne dopuščajo izključevanja ali omejitve naključne ali posledične škode, tako da zgoraj navedena omejitve in izključitve morda za vas ne veljajo. Ta garancija vam zagotavlja določene zakonske pravice, lahko pa imate še druge pravice, ki se razlikujejo od države do države.

Standardni garancijski pogoji^{1, 2}

Vanguard®; komercialna serija
Potrošniška uporaba – 36 mesecev
Komercialna uporaba – 36 mesecev
Serija XR
Potrošniška uporaba – 24 mesecev
Komercialna uporaba – 24 mesecev
Vsi drugi motorji z litoželezno pušo Dura-Bore™
Potrošniška uporaba – 24 mesecev
Komercialna uporaba – 12 mesecev
Vsi drugi motorji
Potrošniška uporaba – 24 mesecev
Komercialna uporaba – 3 mesece

¹ To so naši standardni garancijski pogoji, a občasno je lahko priloženo dodatno garancijsko kritje, ki ni bilo določeno v času objave. Za seznam trenutnih garancijskih pogojev za vaš motor pojdite na BRIGGSandSTRATTON.COM ali pa se obrnite na pooblaščen servisni center Briggs & Stratton.

² Garancija se ne daje za motorje na opremi, ki je priključena na generatorje primarne moči, namesto na napajanje iz električnega omrežja, pomožne generatorje (pomožne vire energije), ki se uporabljajo v komercialne namene, večnamenska vozila, katerih hitrost presega 25 mph, ali motorje, uporabljene na tekmovalnih dirkah oz. na komercialnih ali najetih stezah.

* V Avstraliji – Naši izdelki imajo garancije, ki jih ni možno izključiti po avstralski zakonodaji o varstvu potrošnikov. Upravičeni ste do menjave ali vračila denarja za veliko okvaro ali do odškodnine za kakršno koli drugo izgubo ali škodo, ki jo je mogoče razumno predvideti. Prav tako ste upravičeni do popravila ali menjave blaga, če to ni sprejemljive kakovosti, okvara pa ni velika. Za storitve garancije poiščite najbližji pooblaščen servisni center na zemljevidu naših servisnih centrov na BRIGGSandSTRATTON.COM oziroma pokličite 1300 274 447 ali pošljite e-pošto na salesenquiries@briggsandstratton.com.au oziroma pišite na Briggs & Stratton Australia Pty Ltd, 1 Moorebank Avenue, Moorebank, NSW, Avstralija, 2170.

Garancijsko obdobje prične teči ob datumu nakupa prvega maloprodajnega potrošnika ali gospodarskega končnega uporabnika in traja v časovnem obdobju, navedenem v tabeli zgoraj. »Potrošniška uporaba« pomeni osebno domačo rabo maloprodajnega potrošnika. »Komercialna uporaba« pomeni vsakršno drugačno uporabo, vključno z uporabo v komercialne, pridobitne ali posojilne namene. Če je motor enkrat uporabljen v komercialne namene, po tej garanciji spada v kategorijo motorjev za komercialno uporabo.

Za uveljavljanje garancije za izdelke znamke Briggs & Stratton registracija garancije ni potrebna. Shranite račun kot dokazilo o nakupu. Če v primeru, da potrebujete garancijsko storitev, ne predložite dokazila o datumu prvotnega

nakupa, se bo za določanje garancijske dobe uporabil datum proizvodnje izdelka.

O vaši garanciji

Ta omejena garancija krije samo napake v materialu in/ali okvare zaradi izdelave na motorju, ne pa zamenjave ali povračila za opremo, na katero je motor lahko nameščen. Rednega vzdrževanja, finih nastavitvev, prilagoditev ali običajne obrabe ta garancija ne krije. Garancija ne velja tudi v primeru, če je bil motor predelan oziroma spremenjen ali če je bila serijska številka motorja uničena ali odstranjena. Ta garancija ne krije poškodb motorja ali težav pri delovanju, ki jih povzročil/-jo:

1. uporaba delov, ki niso Briggs & Stratton
2. delovanje motorja z nezadostno količino mazivnega olja ali z oljem, ki je onesnaženo oziroma ima neustrezno viskoznost;
3. Uporaba onesnaženega ali starega goriva, bencina z več kot 10 odstotki etanola ali alternativnih goriv, kot sta petrolej ali zemeljski plin, v motorjih, ki jih podjetje Briggs & Stratton prvotno ni zasnovalo/izdelalo za delovanje s tovrstnimi gorivi;
4. Umazanija, ki je prišla v motor zaradi napačnega vzdrževanja zračnega filtra ali ponovnega sestavljanja;
5. udarec ob predmet z rezilom rotacijske vrtnice, zrahljani ali nepravilno nameščeni adapterji rezila, rotorji ali druge povezane naprave gredi bloka motorja ali čezmerno napet klinasti jermen;
6. Uporaba delov ali sklopov, kot so sklopke, menjalniki, upravljalni vzvodi itd., ki jih ne dobavlja podjetje Briggs & Stratton;
7. pregrevanje zaradi trave, umazanije in ostankov ali gnezd glodavcev, ki zamašijo hladilna rebra ali predel vztrajnika, ali zaradi delovanja motorja pri neustreznem prezračevanju;
8. čezmerni tresljaji zaradi prevelike hitrosti, razrahljane pritrditve motorja, razrahljanih ali neuravnoteženih rezil ali rotorjev ali neprimerne spajanja komponent opreme na gred bloka motorja;
9. napačna uporaba, pomanjkljivo redno vzdrževanje, neustrezen transport, ravnanje z motorjem, skladiščenje opreme ali neustrezna montaža motorja.

Garancijski servis je na voljo le pri pooblaščenih servisnih centrih podjetja Briggs & Stratton. Poiščite najbližji pooblaščen servisni center na zemljevidu našega orodja za iskanje prodajalcev na BRIGGSandSTRATTON.COM oziroma pokličite 1-800-444-7774 (v ZDA).

80114782 (Revizija A)

Not for
Reproduction

Genel Bilgiler



Bu el kitabı motorların yaratabileceği riskler ve tehlikeler ile bu tehlikelerden kaçınmak için yapmanız gerekenler hakkında sizi bilinçlendirmek amacıyla güvenlik bilgileri içermektedir. El kitabı aynı zamanda motorun doğru kullanımı ve motor bakımı hakkında bilgi de içermektedir. Bu talimatları okumanız, anlamanız ve uygulamanız önemlidir. **Bu el kitabını gelecekte de kullanmak üzere saklayın.**

NOT: Bu kullanım kılavuzundaki şekiller ve resimler yalnızca bilgi için verilmiştir ve sizin modelinizden farklı olabilir. Motorunuzun konfigürasyonuna uygun olan eden şekilleri uygulayın. Gerekliyse bir yetkili servis bayisi ile iletişime geçin.

Yedek parçalar için; satın alma tarihi, motor modeli, tip, trim ve motor seri numarasını kaydedin. Bu numaralar motorunuzun üzerinde yer almaktadır. **Özellikler ve Kumandalar** kısmına bakın.

Satın Alma Tarihi	
Motor Modeli - Tipi - Ayarı:	
Motor Seri Numarası	

Avrupa Ofisi İletişim Bilgileri

Avrupa emisyonları ile ilgili sorular için Avrupa ofisimiz ile şu adresten iletişime geçin:


Max-Born-Straße 2, 68519 Viernheim, Almanya.

Avrupa Birliği (AB) Kademe V (5): Karbon Dioksit (CO2) Değerleri

Briggs & Stratton AB Tip Onayı Sertifikalı motorların karbon dioksit değerlerini bulmak için BriggsandStratton.com adresindeki arama penceresine CO2 ögesini girin.

Operatör Güvenliği

Güvenlik İkaz Sembolü ve İşaret Sözcükleri

Güvenlik uyarı sembolü  kişisel yaralanmaya yol açabilecek tehlikeler hakkındaki güvenlik bilgilerinizi belirtir. Yaralanmanın olasılığını ve olası ciddiyetini göstermek için bir işaret sözcüğü (**TEHLİKE**, **UYARI** veya **DİKKAT**) kullanılmıştır. Ek olarak, tehlikenin tipini temsil etmek için bir tehlike sembolü kullanılmıştır.

TEHLİKE eğer önlenmezse, ölüm veya ciddi yaralanmayla **sonuçlanacak** tehlikeyi gösterir.

UYARI eğer önlenmezse, ölüm veya ciddi yaralanmayla **sonuçlanabilecek** tehlikeyi gösterir.

DİKKAT eğer önlenmezse, hafif veya orta derecede yaralanmayla **sonuçlanabilecek** tehlikeyi gösterir.

DİKKAT Önemli olduğu kabul edilen ama tehlike ile ilgili olmayan bilgileri belirtir.

Tehlike Sembolleri ve Anlamları

 Kişisel yaralanmaya neden olabilecek tehlikelere ilişkin güvenlik bilgileri.	 Üniteyi çalıştırmadan veya bakım yapmadan önce Kullanım Kılavuzu'nu okuyun ve uyun.
 Yangın Tehlikesi	 Patlama Tehlikesi
 Elektrik Çarpması Tehlikesi	 Zehirli Duman Tehlikesi
 Sıcak Yüzey Tehlikesi	 Geri Tepme Tehlikesi
 Uzuv Kesilme Tehlikesi - Hareketli Parçalar	 Yakıt Seviyesi - Maksimum Aşırı Doldurmayı



Güvenlik Mesajları



UYARI

Briggs & Stratton® Motorları fun-kart, go-kart gibi araçları; çocuklar için eğlence veya spor amaçlı arazi araçları (ATV'ler); motosikletler; hava yastıklı tekneler; hava taşıtları ürünleri veya Briggs & Stratton tarafından onaylanmamış yarışma etkinliklerinde kullanılan araçları çalıştırmak için tasarlanmamıştır ve bunlarda kullanılmamalıdır. Yarışma amaçlı ürünlerle ilgili bilgi için www.briggsracing.com internet sitemize bakınız. Ticari araçlar ve çok koltuklu arazi araçları için lütfen Briggs & Stratton Güç Uygulama Merkezine başvurun: 1-866-927-3349. Motorun yanlış kullanılması ağır yaralanma veya ölüm ile sonuçlanabilir.

Gerİ Dönüşürme Bilgileri

		Tüm kartonları, kutuları, kullanılmış yağı ve aküleri devlet yönetmelikleri tarafından belirtilen şekilde geri dönüştürün.
---	--	--

Özellikler ve Kumandalar






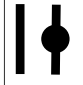


Motor Kontrol Sistemleri

Şekil 1, 2 ve 3 dahilindeki işaret harflerini aşağıdaki listede bulunan motor kontrolleri ile karşılaştırın:

- Motor Künye Numaraları **Model - Tipi - Kodu**
- Buji
- Yakıt Deposu ve Kapağı
- Hava Temizleyici
- Marş İpinin Kulpu
- Yağ Çubuğu
- Yağ Doldurma
- Yağ Boşaltma Tapası
- Susturucu, Susturucu Koruyucu (eğer varsa), Kıvılcım Tutucu (eğer varsa)
- Gaz Kumandası/Yakıt Kapatma/TransportGuard™
- Jikle Kumandası
- Hava Alma İzgarası
- Elektrikli Marş Anahtarı (eğer varsa)
- Redüksiyon Ünitesi (eğer varsa)

Bazı motorların ve cihazların uzaktan kumandası olabilir Uzaktan kumanda sisteminin yeri ve çalıştırılması için cihaz kullanım kılavuzuna bakın.

Motor Kontrol Sembolleri ve Anlamları

 Motor Hızı - HIZLI	 Motor Hızı - YAVAŞ
 Motor Hızı - DURDUR	 AÇIK - KAPALI
 Motoru Çalıştırma Jikle KAPALI	 Motoru Çalıştırma Jikle AÇIK
 Yakıt Kapağı Yakıt Kapatma AÇIK	 Yakıt Kapatma KAPALI

Montaj

Gaz Kumandası Dönüşümü

Standart motorda manuel gaz kumandası bulunur. Manüel gaz kumandasını çalıştırmak için bir uzaktan gaz kumandası takın veya sabit bir hıza dönüştürün. Aşağıdaki talimatlara bakın.

NOT: Motor hızı, ekipman üreticisinin performans spesifikasyonlarında belirtilen şekilde olması gerekir. Yardım için Yetkili bir Briggs & Stratton Servis Bayisi ile görüşün.

Manüel Gaz Kumandası

1. Gaz kumandası/TransportGuard® kolunu (A, Şekil 4) KAPALI konumuna getirin.
2. Yay ı çıkartın (S, Şekil 4).

Örgülü Tel Kablol u Uzaktan Gaz Kumandası

Ş u iki yönün birinde örgülü tel kablol u uzaktan gaz kumandası takılabilir: **Silindir Kapağı Yönü** veya **Ön**.

Silindir Kapağı Yönü

1. Gaz kumandası / TransportGuard® kolunu (A, Şekil 5) KAPALI konumuna getirin.
2. 10 mm bir anahtar kullanarak gaz kumanda/TransportGuard® kolundaki (A) somunu (P, Şekil 5) 1/2 tur gevşetin.
3. Kablo montaj somununu (J, Şekil 6) 10 mm bir anahtar ile tutun ve vidayı (K) gevşetin.
4. Kablo telini (L, Şekil 6) kablo montaj somunundaki (J) delikten takın ve vidayı (K) sıkın. Kablo telinin (L) deliği 1/2" (12,7 mm) uzunluktan fazla geçmemesine dikkat edin.
5. Vidayı gevşetin (I, Şekil 6). Kablo manşonunu (N) kablo kelepçesinin (M) altına tutturun ve vidayı (I) sıkın.
6. Uzaktan gaz kumandasının çalışmasını kontrol edin. Uzaktan gaz kumandasını 2-3 kez yavaştan hızlı konuma geçirin. Uzaktan gaz kumandası ve kablo telinin (L, Şekil 6) serbestçe hareket ettiğ inden emin olun. Somunu (P, Şekil 7) gerektiğ i şekilde belirtilen pozisyona ayarlayın.

Ön Yön

1. Gaz kumandası / TransportGuard™ kolunu ayarlayın:
 - a. **10V000 ve 12V000 motorlu modeller için:** Gaz kumandası/TransportGuard™ kolunu (A, Şekil 8) HIZLI konumuna getirin.
 - b. **25V000 motorlu modeller için:** Gaz kumandası / TransportGuard™ kolunu (A, Şekil 8) OFF (Kapalı) konumuna getirin.
2. 10 mm bir anahtar kullanarak gaz kumandası/TransportGuard® kolundaki (A) somunu (P, Şekil 7) ½ tur gevşetin.
3. Kablo montaj somununu (J, Şekil 8) 10 mm bir anahtar ile tutun ve vidayı gevşetin.
4. Kablo telini (L, Şekil 8) kablo montaj somunundaki (J) delikten takın ve vidayı (K) sıkın. Kablo telinin (L) deliği ½" (12,7 mm) uzunluktan fazla geçmemesine dikkat edin.
5. Vidayı gevşetin (I, Şekil 8). Kablo manşonunu (N) kablo kelepçesinin (M) altına tutturun ve vidayı (I) sıkın.
6. Uzaktan gaz kumandasının çalışmasını kontrol edin. Uzaktan gaz kumandasını 2-3 kez yavaştan hızlı konuma geçirin. Uzaktan gaz kumandası ve kablunun (L, 8) serbestçe hareket ettiğ inden emin olun. Somunu (P, Şekil 7) gerektiğ i şekilde belirtilen pozisyona ayarlayın.

Dolu Tel Kablol u Uzaktan Gaz Kumandası

Ş u dört yönün herhangi birisinde, dolu tel kablol u uzaktan gaz kumandası takılabilir: **Silindir Kapağı Yönü**, **Ön**, **Sol** veya **Sağ**.

Silindir Kapağı Yönü

1. Gaz kumandası/TransportGuard® kolunu (A, Şekil 9) KAPALI konumuna getirin.
2. Yay ı çıkartın (S, Şekil 9).
3. Gaz kumandası/TransportGuard® kolunu (A, Şekil 9) HIZLI konumuna getirin.
4. 10 mm bir anahtar kullanarak gaz kumanda/TransportGuard® kolundaki (A) somunu (P, Şekil 4) 1/2 tur gevşetin.
5. Dolu kablo telinin Z-fitingini (Q, Şekil 5) dirsekl i koldaki iki deliğ in birisine takın (R).
6. Vidayı gevşetin (I, Şekil 9). Kablo manşonunu (N) kablo kelepçesinin (M) altına tutturun ve vidayı (I) sıkın.
7. Uzaktan gaz kumandasının çalışmasını kontrol edin. Uzaktan gaz kumandasını 2-3 kez yavaştan hızlı konuma geçirin. Uzaktan gaz kumandası ve kablo telinin (L, Şekil 9) serbestçe hareket ettiğ inden emin olun. Somunu (P, Şekil 4) gerektiğ i şekilde belirtilen pozisyona ayarlayın.

Ön Yön

1. Gaz kumandası/TransportGuard® kolunu (A, Şekil 10) KAPALI konumuna getirin.
2. Yay ı çıkartın (S, Şekil 10).
3. Gaz kumandası/TransportGuard® kolunu (A, Şekil 10) HIZLI konumuna getirin.
4. 10 mm bir anahtar kullanarak gaz kumandası/TransportGuard® kolundaki (A) somunu (P, Şekil 4) 1/2 tur gevşetin.
5. Dolu kablo telinin Z-fitingini (Q, Şekil 10) dirsekl i koldaki iki deliğ in birisine takın (R).
6. Vidayı gevşetin (I, Şekil 10). Kablo manşonunu (N) kablo kelepçesinin (M) altına tutturun ve vidayı (I) sıkın.

7. Uzaktan gaz kumandasının çalışmasını kontrol edin. Uzaktan gaz kumandasını 2-3 kez yavaştan hızlı konuma geçirin. Uzaktan gaz kumandası ve kablunun (L, Şekil 10) serbestçe hareket ettiğ inden emin olun. Somunu (P, Şekil 4) gerektiğ i şekilde belirtilen pozisyona ayarlayın.

Sol Yön

1. Gaz kumandası/TransportGuard® kolunu (A, Şekil 11) KAPALI konumuna getirin.
2. Yay ı çıkartın (S, Şekil 6).
3. Gaz kumandası/TransportGuard® kolunu (A, Şekil 11) HIZLI konumuna getirin.
4. 10 mm bir anahtar kullanarak gaz kumandası / TransportGuard® kolundaki (A, Şekil 11) somunu (P, Şekil 4) 1/2 tur gevşetin.
5. Küçük deliğ e (S) erişmek için gaz kumanda düğ mesini (W, Şekil 11) çıkarın.
6. Dolu kablo telinin Z-fitingini (L, Şekil 11) gaz kumanda kolundaki (A) küçük deliğ e (S) takın.
7. Vidayı gevşetin (I, Şekil 11). Kablo manşonunu (N) kablo kelepçesinin (M) altına tutturun ve vidayı (I) sıkın.
8. Uzaktan gaz kumandasının çalışmasını kontrol edin. Uzaktan gaz kumandasını 2-3 kez yavaştan hızlı konuma geçirin. Uzaktan gaz kumandası ve kablunun (L, Şekil 11) serbestçe hareket ettiğ inden emin olun. Somunu (P, Şekil 4) gerektiğ i şekilde belirtilen pozisyona ayarlayın.

Sağ Yön

Uzaktan gaz kumandasını sağ taraftan takmak için, bir kablo montaj braketini ((U, Şekil 12) gereklidir. Parça numarası için **Teknik Özellikler ve Servis Parçaları** bölümüne bakın. Bir kablo montaj braketini satın almak için Yetkili bir Briggs & Stratton Servis Bayisi ile görüşün.

1. Gaz kumandası/TransportGuard® kolunu (A, Şekil 12) KAPALI konumuna getirin.
2. Yay ı çıkartın (S, Şekil 4).
3. Küçük deliğ i (S) ortaya çıkarmak için gaz kumanda düğ mesini (W, Şekil 12) çıkarın.
4. Gaz kumandası/TransportGuard® kolunu (A, Şekil 12) HIZLI konumuna getirin.
5. 10 mm bir anahtar kullanarak gaz kumandası/TransportGuard® kolundaki (A, 12) somunu (P, Şekil 4) 1/2 tur gevşetin.
6. Dolu kablo telinin Z-fitingini (L, Şekil 12) gaz kumanda kolundaki (A) küçük deliğ e (S) takın.
7. Cıvatayı (T, Şekil 12) sökün. Kablo montaj braketini (U) gösterildiğ i şekilde takın. Kablo montaj braketini (U) cıvatayla (T) takın. Cıvatayı (T) 30 lb-in (3,4 Nm) değerine sıkın. **Teknik Özellikler ve Servis Parçaları** bölümüne bakın.
8. Vidayı gevşetin (I, Şekil 12). Kablo manşonunu (N) kablo kelepçesinin (M) altına tutturun ve vidayı (I) sıkın.
9. Uzaktan gaz kumandasının çalışmasını kontrol edin. Uzaktan gaz kumandasını 2-3 kez yavaştan hızlı konuma geçirin. Uzaktan gaz kumandası ve kablunun (L, Şekil 12) serbestçe hareket ettiğ inden emin olun. Somunu (P, Şekil 4) gerektiğ i şekilde belirtilen pozisyona ayarlayın.

Sabit Motor Hızı (Gaz Kumanda Kablosu Yok)

Sabit Motor Hızına dönüştürüldüğ ünde, bir gaz kumanda kablosu takılı değ ildir ve bir hız seçimi bulunmaz. Tek motor hızı FAST (Hızlı) şeklinde olur.

1. Gaz kumandası/TransportGuard® kolunu (A, Şekil 13) KAPALI konumuna getirin.
2. Yay ı çıkartın (S, Şekil 13).
3. Gaz kumandası/TransportGuard® kolunu (A, Şekil 13) HIZLI konumuna getirin.
4. Tel tutucu vidasının (V, Şekil 13) braketteki delikle hizalı olduğ undan emin olun. Vidayı (V) 25 lb-in (2,8 Nm) değerine sıkın.
5. Kontrol bağlantısını sökün (H, Şekil 13).

NOT: Bu anda, gaz kumandası/TransportGuard® kolu yalnız iki konuma sahip olur: DURDUR/KAPALI konumu ve ÇALIŞTIR konumu.

6. Yeni TransportGuard® AÇIK/KAPALI etiketini (O, Şekil 14) trim panelindeki (F) mevcut hız kontrol etiketinin üzerine takın.

Çalıştırma



UYARI

Yakıt buharları yanıcıdır ve patlayıcıdır. Yangın veya patlama yanıklara veya ölüme yol açabilir.

Gaz kokusu aldığınız zaman

- Motoru çalıştırmayın.
- Elektrik düğmelerini açmayın.
- Yakında telefon kullanmayın.
- Bölgeyi tahliye edin.
- İtfaiyeyi arayın.

Donanımı kullanırken

- Motoru veya donanımı yakıtın dökülmesine neden olacak bir açığa eğmeyin.

Donanımın yerini değiştirirken

- Yakıt deposunun BOŞ olması veya varsa yakıt kapatma vanasının KAPALI durumda olmasına dikkat edin.

Yağ Seviyesini kontrol edin

Yağı kontrol etmeden veya yağ eklemeyen önce

- Motorun düz konumda olduğundan emin olun.
- Yağ doldurma yerini kirlerden temizleyin.
- Yağ kapasitesi için **Teknik Özellikler** bölümüne bakın.

DİKKAT

Bu motor Briggs & Stratton tarafından yağsız olarak gönderilmektedir. Ekipman üreticileri veya bayiler motora yağ eklemiş olabilir. Motoru ilk kez çalıştırmadan önce yağın doğru seviyede olduğunu kontrol edin. Bu kılavuzdaki talimatlar tarafından belirtilen şekilde yağ ekleyin. Motoru yağsız olarak başlatmanız halinde zarar görür ve motor garanti kapsamında tamir edilmez.

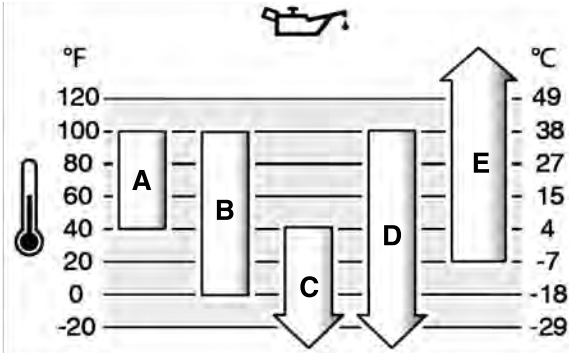
1. Yağ çubuğunu (A, Şekil 15) çıkarın ve bir bez ile temizleyin
2. Yağ çubuğunu yerine takın ve sıkıştırın (A, Şekil 15).
3. Yağ çubuğunu çıkarın ve yağ seviyesini kontrol edin. Yağ seviyesinin yağ çubuğundaki dolu göstergesinin (B, Şekil 15) tepesinde olduğunu kontrol edin.
4. Motorda iki yağ doldurma yeri bulunmaktadır (C, G, Şekil 16). Yağ seviyesi düşükse, motor yağ doldurma yerlerinden yavaşça yağ ekleyin (C, G). Çok fazla yağ eklemeyin. Yağ ekledikten sonra bir dakika bekleyin ve yağ seviyesini tekrar kontrol edin. Yağ seviyesinin doğru olmasına dikkat edin.
5. Yağ çubuğunu yerine takın ve sıkıştırın (A, Şekil 15).

Yağ Tavsiyeleri

Yağ Kapasitesi: **Teknik Özellikler** bölümüne bakın.

En iyi performans için Briggs & Stratton® Garanti Onaylı yağlar kullanmanızı tavsiye ederiz. SF, SG, SH, SJ veya üzeri servis sınıflandırmasına sahip diğer yüksek kaliteli temizleyici yağlara da izin verilmektedir. Özel katkı maddeleri kullanmayın.

Beklenen dış sıcaklık aralığına en uygun viskoziteyi seçmek için çizelgeyi kullanın. Dış mekan motorlu ekipmanlarının çoğunluğundaki motorlar 5W-30 Sentetik yağ ile gayet iyi çalışır. Yüksek sıcaklıklarda çalıştırılan ekipman için, Vanguard® 15W-50 Sentetik yağ en iyi korumayı sağlar.



Grade	Temperature Range	Oil Type
A	SAE 30 - 40°F (4°C) sıcaklığın altında SAE 30 kullanılırsa zor çalışacaktır.	
B	10W-30 - 80°F (27°C) sıcaklığın üzerinde 10W-30 kullanılması normalden fazla yağ tüketilmesine neden olabilir. Yağ seviyesini sıklıkla kontrol edin.	
C	5W-30	
D	Sentetik 5W-30	
E	Vanguard™ Sentetik 15W-50	

Düşük Yağ Koruma Sistemi (varsa)

Bazı motorlara düşük yağ seviyesi sensörü takılmıştır. Yağ seviyesi düşüğe, sensör bir uyarı ışığı gösterir veya motoru durdurur. Motoru durdurun ve motoru çalıştırmadan önce aşağıdaki adımları izleyin.

- Motorun yatay olduğundan emin olun.
- Yağı kontrol edin. **Yağ Seviyesinin Kontrolü** bölümüne bakın.
- Yağ seviyesi düşük ise doğru miktarda yağ ekleyin. Motoru çalıştırın ve uyarı ışığının (eğer varsa) yanmadığını kontrol edin.
- Yağ seviyesi düşük değil ise motoru çalıştırmayın. Yağ sorununun düzeltilmesi için Briggs & Stratton Yetkili Servis Bayisi ile görüşün.

Yakıt Tavsiyeleri

Yakıt aşağıdaki koşullara uygun olmalıdır:

- Temiz, yeni, kurşunsuz benzin.
- Minimum 87 oktan/87 AKI (91 RON). Yüksek irtifada kullanım, aşağıya bakın.
- %10'a kadar etanol içeren benzine (gazohol) izin vardır.

DİKKAT

E15 ve E85 gibi onaylanmamış benzin kullanmayın. Benzine yağ karıştırmayın veya motoru farklı yakıtlar ile çalışacak şekilde modifiye etmeyin. Onaylanmamış yakıtlar kullanmak motor bileşenlerine zarar verebilir ve bu hasarlar garanti kapsamında tamir edilmez.

Yakıt sistemini çapak ve korozyon oluşumundan korumak için, yakıtta alkolü yakıt stabilizatörü ve işlenmiş etanol karıştırın. **Saklama** bölümüne bakın. Bütün yakıtlar aynı değildir. Çalıştırma veya performans sorunları yaşanırsa, yakıt tedarikçilerini veya markaları değiştirin. Bu motor benzinle çalışmak üzere sertifikalandırılmıştır. Karbüratörlü motorların emisyon kontrol sistemi EM (Motor Modifikasyonları)'dır. Elektronik yakıt enjeksiyonlu motorların emisyon kontrol sistemleri ECM (Motor Kontrol Modülü), MPI (Çok Portlu Enjeksiyon), TBI (Gaz Kumandası Gövdesi Yakıt Enjeksiyonu) ve eğer teçhiz edilmişse O2S (Oksijen Sensörü)'dür.

Yüksek Rakım

5.000 fit (1524 metre) üzerindeki rakımlarda minimum 85 oktan/85 AKI (89 RON) benzine izin vardır.

Karbüratörlü motorlarda performansı korumak için yüksek rakım ayarı gereklidir. Bu ayar yapılmadan çalıştırılması performansının düşmesine, yakıt tüketiminin artmasına ve emisyonların artmasına neden olur. Yüksek irtifa ayarı bilgileri için Yetkili bir Briggs & Stratton Servis Bayisine başvurun. 2500 fit (762 metre) altındaki rakımlarda motorun yüksek rakım ayarı ile kullanılması tavsiye edilmez.

Elektronik Yakıt Enjeksiyonlu (EFI) motorlar için yüksek rakım ayarlamasına gerek yoktur.

Yakıt Ekleyin



UYARI

Yakıt ve buharları yanıcı ve patlayıcıdır. Yangın veya patlama yanıklara veya ölüme yol açabilir.

Yakıt eklerken

- Motoru durdurun. Yakıt kapağını çıkarmadan önce motorun soğuk olmasını sağlamak için en az iki (2) dakika bekleyin.
 - Yakıt deposunu dış mekanda veya iyi hava akışı bulunan bir yerde doldurun.
 - Depoya çok fazla yakıt koymayın. Yakıtın genleşmesi için yakıt deposu boyunun alt kısmının üstüne kadar doldurmayın.
 - Yakıtı kıvılcımlardan, açık alevlerden, pilot ateşlerden, ısıdan ve diğer tutuşturma kaynaklarından uzak tutun.
 - Yakıt hatlarında, yakıt deposunda, yakıt kapağında ve bağlantılarda sık şekilde çatlak veya sızıntı incelemesi yapın. Hasarlı parçaları değiştirin.
 - Yakıt döküldüğü takdirde motoru çalıştırmadan önce kurummasını bekleyin.
1. Yakıt kapağı çevresindeki kiri ve çöpü temizleyin. Yakıt doldurma kapağını çıkarın.
 2. Yakıt deposuna (A, Şekil 17) yakıt doldurun. Yakıt genleşeceği için yakıt deposu boyunun (B) alt kısmının üzerine kadar doldurmayın.
 3. Yağ doldurma kapağını tekrar takın.

Motoru Çalıştırın



UYARI

ZEHİRLİ GAZ TEHLİKESİ. Motor egzozusuzi dakikalar içerisinde öldürebilecek zehirli bir gaz olan karbonmonoksit içerir. Egzoz gazlarının kokusunu almasanız bile tehlikeli karbonmonoksit gazına maruz kalabilirsiniz. Bu ürünü kullanırken rahatsızlık, baş dönmesi veya halsizlik hissetmeniz durumunda **HEMEN** temiz havaya çıkın. Doktora görünün. Karbonmonoksit zehirlenmesi yaşıyor olabilirsiniz.

- Kullanılan mekanlarda karbon monoksit gazı toplanabilir. Karbonmonoksit gazı riskini azaltmak için bu ürünü YALNIZCA dış mekanda ve pencerelerden, kapılardan ve hava deliklerinden uzakta çalıştırın.
- Üretici talimatlarına uygun şekilde pil ile çalışan karbonmonoksit alarmları kurun veya pil destekli karbon monoksit alarmları takın. Duman alarmları, karbonmonoksit gazını algılayamaz.
- Fan kullansanız ve havalandırma için kapıları ve pencereleri açsanız bile bu ürünü evlerde, garajlarda, bodrumlarda, döşeme altı boşluklarda, gölgeliklerde veya başka kapalı yerlerde ÇALIŞTIRMAYIN. Bu ürünü çalıştırdıktan sonra bu yerlerde hızla karbonmonoksit toplanabilir ve saatlerce kalabilir.
- Bu ürünü HER ZAMAN rüzgar altı yönde yerleştirin ve motor egzozunu kapalı alanlardan uzağa yönlendirin.



UYARI

Yakıt ve buharları yanıcı ve patlayıcıdır. Yangın veya patlama yanıklara veya ölüme yol açabilir.

Motoru çalıştırdığınız zaman

- Bujinin, susturucunun, yakıt kapağının ve hava temizleyicinin (donatılmış ise) doğru şekilde takılmış olmasına dikkat edin.
- Buji çıkarılmışken motoru çalıştırmayın.
- Motorun boğulması halinde jikle (donatılmış ise) AÇIK veya ÇALIŞTIR durumuna getirin. Gaz kelebeğini (donatılmış ise) HIZLI konumuna getirin ve motor çalışmaya kadar marş basın.
- Çevrede doğalgaz veya LP sızıntısı olması halinde motoru çalıştırmayın.
- Buharları yanıcı olduğundan basınçlı marş sıvıları kullanmayın.



UYARI

Dönen parçalar elleri, ayakları, saç, giysileri veya aksesuarları yakalayabilir ve travmatik uzuv kesilmesine veya yaralanmasına yol açabilir.

- Donanımı muhafazalar doğru şekilde takılmış olarak çalıştırın.
- Ellerinizi ve ayaklarınızı döner parçalardan uzak tutun.
- Mücevherleri çıkarın ve uzun saçın döner tüm parçalardan uzak kalmasına dikkat edin.
- Bol giysiler veya takılabilecek öğeler giymeyin.



UYARI

Marş ipinin hızla geri gitmesi (geri tepme) elinizi ve kolunuzu bırakamayacağınız kadar hızlı şekilde motora doğru çeker. Kemik kırılmalarına, çatlaklara, morarmalara veya burkulmalara neden olabilir.

- Motoru çalıştırırken geri tepmeyi önlemek için, direnç hissedilinceye kadar marş ipini yavaş çekin ve sonra hızla çekin.
- Motoru çalıştırmadan önce harici tüm ekipmanı ve motor yüklerini ayırın veya kaldırın.
- Bir kısıtlama olmaksızın bıçaklar, pervaneler, makaralar ve zincir dişlileri gibi doğrudan bağlanan ekipman bileşenlerinin sağlam şekilde takılmış olmasına dikkat edin.

NOT: Donanımınızda uzaktan kumandalar bulunabilir. Uzaktan kumandaların yeri ve kullanımı hakkında bilgi için cihaz kılavuzuna bakın.

1. Motor yağını kontrol edin. **Yağ Seviyesinin Kontrolü** bölümüne bakın.
2. Ekipman tahrik sistemi kontrollerinin (eğer varsa) devre dışı olduğunu kontrol edin.
3. Eğer varsa, gaz kumandası/TransportGuard® (A, Şekil 18) HIZLI veya ÇALIŞTIR konumuna getirin. Motoru HIZLI veya ÇALIŞTIR konumunda çalıştırın.
4. Jikle kontrolünü (B, Şekil 18) KAPALI konumuna getirin.

Sıcak bir motoru çalıştırırken genellikle jikle gerekli değildir.

5. **Makaralı Marş, varsa:** Marş ipinin kolunu (C, Şekil 18) sıkı şekilde tutun. Marş ipinin kolunu direnç hissedilinceye kadar yavaşça çekin, sonra hızla çekin.



UYARI

Marş ipinin hızla geri gitmesi (geri tepme) elinizi ve kolunuzu bırakamayacağınız kadar hızlı şekilde motora doğru çeker. Kemik kırılmalarına, çatlaklara, morarmalara veya burkulmalara neden olabilir.

- Motoru çalıştırırken geri tepmeyi önlemek için, direnç hissedilinceye kadar marş ipini yavaş çekin ve sonra hızla çekin.
- Motoru çalıştırmadan önce harici tüm ekipmanı ve motor yüklerini ayırın veya kaldırın.
- Bir kısıtlama olmaksızın bıçaklar, pervaneler, makaralar ve zincir dişlileri gibi doğrudan bağlanan ekipman bileşenlerinin sağlam şekilde takılmış olmasına dikkat edin.

6. **Elektrikli Marş, varsa:** Elektrikli marş butonunu (D, Şekil 18) BAŞLAT konumuna getirin.

DİKKAT

Marş motorunun ömrünü uzatmak için, kısa marş denemeleri (en fazla beş saniye) yapın. Başlatma döngüleri arasında bir dakika bekleyin.

7. Motor ısınırken, jikle kumandasını (B, Şekil 18) AÇIK konumuna getirin.

2 veya 3 kez denemeden sonra motor çalışmazsa, yerel bayinizle iletişime geçin veya vanguardpower.com web sitesini ziyaret edin ya da 1-800-999-9333 numarasını arayın (ABD'de).

Motoru Durdurun



UYARI

Yakıt ve buharları yanıcı ve patlayıcıdır. Yangın veya patlama yanıklara veya ölüme yol açabilir.

- Motoru durdurmak için karbüratörü (donatılmış ise) boğmayın.

Gaz Kumandası/TransportGuard®: Gaz kumandası/TransportGuard® (A, Şekil 19) KAPALI veya DURDUR konumuna getirin.

NOT: Gaz kumandası/TransportGuard® (A, Şekil 19) KAPALI veya DURDUR konumunda olduğu zaman yakıt vanası KAPALI durumda olur. Gaz kumandası/TransportGuard®, ekipmanı taşıırken her zaman KAPALI veya DURDUR konumuna getirin.

NOT: Anahtar (D, Şekil Resim 1) motoru durdurmaz. Anahtar motoru YALNIZCA çalıştırır. Anahtar (D) çıkarın ve çocukların ulaşamayacağı güvenli bir yerde saklayın.

Bakım

Bakım Bilgileri



UYARI

Yakıt ve buharları yanıcı ve patlayıcıdır. Yangın veya patlama yanıklara veya ölüme yol açabilir.

Bakım sırasında üniteyi eğmek gerektiği takdirde, yakıt deposu motorun üzerine monte edilmiş ise onun boş olmasına ve buji tarafının yukarıda kalmasına dikkat edin. Yakıt deposunun boş olmaması halinde sızıntı olabilir ve bir yangına veya patlamaya yol açabilir. Motor başka bir yöne eğildiği takdirde hava filtresinin veya bujinin yağ veya yakıt ile kirlenmesi yüzünden kolayca çalışmaya başlamayacaktır.



UYARI

Kazara motor kıvılcımı elektrik çarpmasına, yangına veya patlamaya yol açabilir ve takılmaya, travmatik uzuv kesilmesine veya yaralanmaya neden olabilir.

Ayar veya tamir yapmadan önce:

- Tüm buji kablolarını çıkarın ve bujilerden uzakta tutun.
- Akü kablosunu negatif akü terminalinden ayırın (yalnız elektrikli başlatma bulunan motorlar.)
- Yalnızca doğru aletleri kullanın.

Kıvılcım kontrolü yaparken:

- Onaylanmış bir buji test cihazı kullanın.
- Buji çıkarılmış halde kıvılcım kontrolü yapmayın.



UYARI
Yedek parçalar orijinal parçalarla aynı tasarımda olmalı ve aynı konumlara yerleştirilmelidir. Başka parçaların arıza yapmasına veya bir yaralanmaya neden olabilir.

DİKKAT
Doğru çalışma için, bu motorun yapılmasında kullanılan tüm bileşenler yerlerinde olmalıdır.

Motor ve motor parçalarıyla ilgili tüm bakım ve onarım hizmetleri için bir Briggs & Stratton Yetkili Servis Bayisine başvurun.

Emisyonlar Kontrol Servisi

Emisyon kontrol cihazlarının ve sistemlerinin bakımı, değiştirilmesi veya tamiri için ehliyetli bir yol dışı motor tamir kuruluşu veya servis teknisyeni ile görüşün. Ancak, "ücretsiz" emisyon kontrol hizmeti için bu işin fabrikanın yetkili bir bayisi tarafından yapılmalıdır. Emisyon Kontrol Beyanına bakın.

Bakım Programı

İlk 5 Saat
<ul style="list-style-type: none">Yağı değiştirin.
8 Saatlik veya Günlük Aralıklarla
<ul style="list-style-type: none">Motor yağ seviyesini kontrol edin.Egzoz ve kumanda çevresindeki alanı temizleyinHava giriş ızgarasını temizleyin.
100 Saatlik veya Yıllık Aralıklarla
<ul style="list-style-type: none">Egzoz sistemine bakım uygulayın.Redüksiyon Ünitesindeki (varsa) yağı değiştirin
200 Saatlik veya Yıllık Aralıklarla
<ul style="list-style-type: none">Motor yağını değiştirin.Hava filtresini temizleyin¹
600 Saatlik veya 3 Yıllık Aralıklarla
<ul style="list-style-type: none">Hava filtresini değiştirin.
Senede Bir
<ul style="list-style-type: none">Bujiyi değiştirin.Yakıt sistemine bakım uygulayın.Hava soğutma sistemine bakım uygulayın¹.Valf açıklığını kontrol edin².

¹Tozlu koşullarda veya havada çok sayıda partikül olduğu zaman daha sık temizleyin.

²Motor sorunları ortaya çıkmadan gerekli değildir.

Karbüratör ve Motor Hızı

Motor hızını ayarlamak için karbüratör, guvernör yayı, bağlantıları veya başka parçalarda ayarlamalar yapmayın. Herhangi bir ayar gerektiği zaman, servis için bir Briggs & Stratton Yetkili Servis Bayisi ile görüşün.

DİKKAT

Ekipmana takılmış motor için en yüksek hızı ekipmanın üreticisi belirler. Bu hızı geçmeyin. Ekipman için en yüksek hızdan emin olmadığınız veya fabrikada hızın ne şekilde ayarlandığını bilmediğiniz zaman yardım için Briggs & Stratton Yetkili Servis Bayisi ile görüşün. Ekipmanın güvenli ve doğru çalışması için motor hızının yalnızca ehliyetli bir servis teknisyeni tarafından ayarlanması gerekir.

Bujinin Bakımı

Bir tel mastarı (B) kullanarak buji aralığını (A, Şekil 20) kontrol edin. Gerekli ise buji aralığını ayarlayın. Bujiyi monte edin ve doğru torka sıkın. Aralık veya tork teknik özellikleri için, **Teknik Özellikler** bölümüne bakın.

Egzoz ve Soğutma Sisteminin Bakımı



UYARI
Çalışma sırasında motor ve susturucu ısınır. Sıcak bir motora dokunmanız halinde ısı yanıklar meydana gelebilir.

Yaprak, çimen ve çalı gibi yanıcı maddeler alev alabilir.

- Motora veya susturucuya dokunmadan önce motoru dururun ve iki (2) dakika bekleyin. Motorun ve susturucunun dokunmak için güvenli olmasına dikkat edin.
- Susturucudan ve motordan çöpleri temizleyin.

Egzoz sistemi etkili şekilde çalışır durumda tutulmak üzere bölüm 4442'de tanımlanan şekilde bir kıvılcım durdurucu ile donatılmış olmadığı sürece, motorun orman kaplı, çalılık kaplı veya ot kaplı alanlarda kullanılması Kaliforniya Eyaleti Public Resource Code Bölüm 4442'nin ihlal edilmesine neden olur. Diğer eyaletlerde veya federal yetki bölgelerinde benzer yasalar bulunabilir; Federal Yönetmelik 36 CFR Bölüm 261.52'ye bakın. Bu motorun egzoz sistemi için tasarlanmış bir kıvılcım tutucu almak için orijinal cihaz üreticisine, perakendeciye veya bayiye başvurun.

Bu, hava soğutmalı bir motordur. Kir veya istenmeyen maddeler hava akışını engelleyebilir ve motorun aşırı ısınmasına neden olabilir. Bu durum da motorun düşük performans ile çalışmasına ve motor ömrünün azalmasına neden olabilir. Silindir soğutma kanallarında istenmeyen maddeler birikebilir ve bu kalıntılar motor kısmı olarak sökülmeden kaldırılamaz. Bir Briggs & Stratton Yetkili Servis Bayisinin hava soğutma sistemini inceleyip temizlemesini sağlayın. **Bakım Programına** bakınız.

1. Susturucunun etrafında veya arkasında yanıcı madde olmadığından emin olun.
2. Üfleme yuvası, susturucu ve silindir bölgesindeki tüm istenmeyen maddeleri temizlemek için bir fırça veya kuru bez kullanın. Motoru temizlemek için su KULLANMAYIN.
3. Tüm bağlantı, yay ve kumandaların temiz olduğundan emin olun.
4. Susturucuda çatlak, korozyon veya başka hasar olup olmadığını kontrol edin.
5. Varsa kıvılcım tutucuyu sökün, hasar veya karbon tıkanması olup olmadığını kontrol edin. Donanımı çalıştırmadan önce temizleyin veya yedek parçaları monte edin.
6. Donatılmış ise, yağ soğutucu uçlarının temiz olmasını sağlayın.

Motor Yağının Değiştirilmesi



UYARI
Yakıt ve buharları yanıcı ve patlayıcıdır. Yangın veya patlama yanıklara veya ölüme yol açabilir.

Çalışma sırasında motor ve susturucu ısınır. Sıcak bir motora dokunmanız halinde ısı yanıklar meydana gelebilir.

- Yağı üst yağ doldurma borusundan boşaltmanız halinde yakıt deposu boş olmalıdır. Boş olmaması halinde yakıt sızabilir ve yangına veya patlamaya yol açabilir.
- Motora veya susturucuya dokunmadan önce motoru dururun ve iki (2) dakika bekleyin. Motorun ve susturucunun dokunmak için güvenli olmasına dikkat edin.

Kullanılmış yağ tehlikeli bir atık maddedir ve doğru şekilde atılmalıdır. Evsel atığınızla birlikte çöpe atmayın. Güvenli şekilde atmak veya geri dönüştürme tesisleri için yerel makamlarınıza, servis merkezine veya bayiye başvurun.

Just Check & Add™ modelleri için yağ değişimi gerekli değildir. Eğer bir yağ değişimi gerekli ise, aşağıdaki prosedürü izleyin.

Yağın Boşaltılması

1. Motor kapalı fakat halen sıcak iken, buji kablolarını (D, Şekil 21) sökün ve buji(ler)den (E) uzakta tutun.
2. Yağ çubuğunu çıkarın (A, Şekil 22).
3. Motorda iki yağ boşaltma tapası bulunur (H, F, Şekil 23). Yağ boşaltma tapalarını (H, F) çıkarın. Yağı bu işlem için onaylanmış bir kaba boşaltın.
4. Yağ boşaltma tapasını (tapalarını) (H, F, Şekil 23) takın ve sıkın

Yağ Ekleme

- Motorun yatay olduğundan emin olun.
- Tüm istenmeyen materyali yağ kapağı bölgesinden temizleyin.
- Yağ kapasitesi için **Teknik Özellikler** bölümüne bakın.

1. Yağ çubuğunu çıkarın. **Yağın Boşaltılması** bölümüne bakın.
2. Motor yağ doldurma yerlerinden birisinin içine yavaşça yağ dökün (C, G, Şekil 24). Çok fazla yağ eklemeyin.
3. Bir dakika bekleyin ve ardından yağ seviyesini kontrol edin.
4. Yağ çubuğunu monte edin.
5. Yağ çubuğunu çıkarın ve yağ seviyesini kontrol edin. Doğru yağ seviyesi, yağ çubuğu üzerindeki tam dolu işaretinin üzeridir. **Yağ Seviyesinin Kontrolü** bölümüne bakın.

- Yağ tekrar çubuğunu takıp sıkın.
- Buji kablosunu (kablolarını) bujiye (bujilere) bağlayın. **Yağın Boşaltılması** bölümüne bakın.

Dişli Redüksiyon Yağı Değişimi

Bazı motorların Dişli Redüksiyon Ünitesi vardır. Eğer varsa, aşağıdaki Dişli Redüksiyon Ünitelerinden birinin adımlarına bakın.

2:1 Zincir Redüksiyon Ünitesi

Motoru 2:1 zincir redüksiyon ünitesi (G, Şekil 25) takılıysa, yağ değişimi gerekli değildir. Motordaki yağ, zincir redüksiyon ünitesini de yağlar.

2:1 Yaş Levhalı Kavrama Redüksiyon Ünitesi

Motoru 2:1 yaş levhalı kavrama redüksiyon ünitesi varsa aşağıdaki adımları izleyin:

- Yağ çubuğunu çıkarın (A, Şekil 26).
- Boşaltma tapasını (B, Şekil 26) sökün ve yağı bu işlem için onaylı bir kaba boşaltın.
- Yağ boşaltma tapasını (B, Şekil 26) takın ve sıkın.
- Yağ doldurma ağzından yavaşça yağ ekleyin (C, Şekil 26). **Teknik Özellikler** bölümüne bakın.
- Yağ çubuğunu takın (A, Şekil 26).
- Yağ çubuğunu çıkarın (A, Şekil 26) ve yağ seviyesini kontrol edin. Doğru yağ seviyesi, yağ çubuğu üzerindeki tam dolu işaretinin (D) üzeridir.
- Yağ çubuğunu takın (A, Şekil 26).

6:1 Dişli Grubu Ünitesi

Motorunuz 6:1 dişli redüksiyon ünitesiyle donatılmışsa, aşağıdaki adımları uygulayın:

- Yağ doldurma tapasını (A, Şekil 27) ve yağ seviye tapasını (B) çıkartın .
- Yağ boşaltma tapasını (B, Şekil 27) sökün ve yağı bu işlem için onaylı bir kaba boşaltın.
- Yağ boşaltma tapasını (C, Şekil 27) takın ve sıkın.
- Yağ doldurma deliğine (D, Şekil 27) yavaşça dişli redüksiyon yağı (80W-90) ekleyin Yağ, yağ seviyesi deliğinden (E) çıkana kadar dişli redüksiyon yağını (80W-90) eklemeye devam edin.
- Seviye tapasını (B, Şekil 27) takın ve sıkıştırın.
- Yağ doldurma tapasını (A, Şekil 27) takın ve sıkıştırın.

NOT: Yağ doldurma tapasında (A, Şekil 27) bir havalandırma deliği (F) vardır ve gösterilen şekilde dişli kutusu kapağının üst kısmına takılmalıdır.

Hava Filtresinin Bakımı



UYARI Yakıt buharları yanıcıdır ve patlayıcıdır. Yangın veya patlama yanıklara veya ölüme yol açabilir.

- Hava temizleyici tertibatı (donatılmış ise) veya hava filtresi (donatılmış ise) sökülmiş olarak motoru başlatmayın ve çalıştırmayın.

DİKKAT

Filtreyi temizlemek için basınçlı hava veya çözücü kullanmayın. Basınçlı hava filtrede zarara yol açabilir ve çözücüler filtreyi eritir.

Servis şartları için **Bakım Programına** bakın.

Farklı modeller köpük veya kağıt filtre kullanır. Bazı modellerde yıkanabilen ve tekrar kullanılabilen isteğe bağlı bir ön temizleyici bulunmaktadır. Bu kılavuzdaki resimleri sizin motorunuzdaki tiplerle karşılaştırın ve ona göre bakımını yapın.

Kağıt Hava Filtresi

- Mandal(lar)ı (C, Şekil 28) gevşetin.
- Kapağı (A, Şekil 28) ve filtreyi (B) çıkartın.
- Kiri gevşetmek için, filtreyi (B, Şekil 28) sert bir zemine hafifçe vurun. Filtre kirli ise, bunu yeni bir filtre ile değiştirin.
- Filtreyi (B, Şekil 28) takın.
- Kapağı (A, Şekil 28) bağlantı eleman(lar)ıyla (C) takın. Mandal(lar)ın sıkı olduğunu kontrol edin.

Kağıt Hava Filtresi - Düşük Profil

- Kapağın kilidini açmak için (C) mandalı hareket ettirin (A, Şekil 29).
- Tırnaklara bastırın (B, Şekil 29) ve kapağı (C) çıkarın.
- Filtreyi çıkarın (D, Şekil 29).
- Kiri gevşetmek için, filtreyi (D, Şekil 29) sert bir zemine hafifçe vurun. Filtre kirli ise, bunu yeni bir filtre ile değiştirin.
- Filtreyi (D, Şekil 29) takın.

- Kapağı (C, Şekil 29) takın. Mandalı (A) kilitle konuma getirin.

NOT: Sünger contasının yerleşimini kontrol edin (E, Şekil 29). Çeper sünger contasının kanala (F) düzgün bir şekilde oturduğundan emin olun.

Yakıt Sistemi Bakımı



UYARI Yakıt ve buharları yanıcı ve patlayıcıdır. Yangın veya patlama yanıklara veya ölüme yol açabilir.

- Yakıtı kıvılcımlardan, açık alevlerden, pilot ateşlerden, ısıdan ve diğer tutuşturma kaynaklarından uzak tutun.
- Yakıt hatlarında, yakıt deposunda, yakıt kapağında ve bağlantılarda sık şekilde çatlak veya sızıntı incelemesi yapın. Hasarlı parçaları değiştirin.
- Yakıt döküldüğü takdirde motoru çalıştırmadan önce kurumasını bekleyin.

Yakıt Süzgeci, eğer varsa

- Yakıt kapağını çıkarın (A, Şekil 30).
- Yakıt süzgecini çıkarın (B, Şekil 30).
- Yakıt süzgeci kirli ise temizleyin veya değiştirin. Yakıt süzgecini değiştirdiğiniz zaman orijinal ekipman yedek yakıt süzgeci kullanmaya dikkat edin.

Saklama

Yakıt Sistemi

Bkz. Figure: 31.



UYARI Yakıt ve buharları yanıcı ve patlayıcıdır. Yangın veya patlama yanıklara veya ölüme yol açabilir.

Yakıt Depolama

- Pilot ışıklar veya başka ateşleme kaynakları patlamalara yol açabileceği için yakıtı veya donanımı fırınların, ocakların, su ısıtıcılarının veya pilot ışığı olan başka cihazların uzağında tutun.

Motoru yatay şekilde (normal çalışma konumu) tutun. Yakıt deposuna (A, Şekil 31) yakıt doldurun. Yakıtın genleşmesi için yakıt deposu boynundan (B) yukarıya doldurmayın.

Yakıt, 30 günden fazla bir kaptan saklanması halinde bayatlayabilir. Yakıtta verim kaybını önlemek ve yakıtı taze tutmak için, yakıt depolama kabına alkol içermeyen bir yakıt stabilizatörü ve etanol uygulanması tavsiye edilir.

Yakıt kabını yakıtla doldurduğunuzda, üreticinin talimatlarında belirtildiği şekilde alkol içermeyen bir yakıt stabilizatörü ekleyin. Motordaki benzine bir yakıt stabilizatörü ilave edilmezse, benzin onaylı bir kaba boşaltılmalıdır. Motoru yakıt tükenene kadar çalıştırın.

Motor Yağı

Motor hala sıcakken, motor yağınızı değiştirin. **Motor Yağının Değiştirilmesi** bölümüne bakın.

Sorun Giderme

Yardım

Yardım için yerel bayiniz ile görüşün veya **BRIGGSandSTRATTON.COM** adresine gidin veya **1-800-444-7774** telefon numarasını arayın (ABD'de).

Teknik Özellikler ve Servis Parçaları

Teknik Özellikler	Model: 10V000	Model: 12V000
Silindir hacmi	10.313 ci (169 cc)	12.387 ci (203 cc)
Çap	2.44 in (62 mm)	2.677 in (68 mm)
Strok	2.204 in (56 mm)	2.204 in (56 mm)
Yağ Kapasitesi	18 - 20 oz (,54 - ,59 L)	18 - 20 oz (,54 - ,59 L)
2:1 Yaş Levhalı Kavrama Redüksiyon - Yağ Tipi	10W-30	10W-30
2:1 Yaş Levhalı Kavrama Redüksiyon - Yağ Kapasitesi	10 oz (,30 L)	10 oz (,30 L)
6.1 Dişli Redüksiyon - Yağ Tipi	80W-90	80W-90
6.1 Dişli Redüksiyon - Yağ Kapasitesi	4 oz (12 L)	4 oz (12 L)

Teknik Özellikler	Model: 10V000	Model: 12V000
Buji Tırnak Aralığı	.030 in (.76 mm)	.030 in (.76 mm)
Buji Tırnak Torku	180 lb-inç (20 Nm)	180 lb-inç (20 Nm)
Armatür Hava Aralığı	.010 - .013 in (.25 - .35 mm)	.010 - .013 in (.25 - .35 mm)
Emme Valfi Boşluğu	.004 - .006 in (.10 - .15 mm)	.004 - .006 in (.10 - .15 mm)
Egzoz Valfi Boşluğu	.005 - .007 in (.15 - .20 mm)	.005 - .007 in (.15 - .20 mm)

Teknik Özellikler	Model: 25V000
Silindir hacmi	24.898 ci (408 cc)
Çap	3.465 inç (88 mm)
Strok	2.638 in (67 mm)
Kablo Montaj Braketi Cıvatası	30 lb-inç (3,4 Nm)
Tel Tutucu Vida	25 lb-inç (2,8 Nm)
Yağ Kapasitesi	18 - 20 oz (.54 - .59 L)
Buji Tırnak Aralığı	.030 in (.76 mm)
Buji Tırnak Torku	180 lb-inç (20 Nm)
Armatür Hava Aralığı	.010 - .013 inç (.25 - .35 mm)
Emme Valfi Boşluğu	.004 - .006 in (.10 - .15 mm)
Egzoz Valfi Boşluğu	.005 - .007 inç (.15 - .20 mm)

Motor gücü, deniz seviyesinin üzerinde her 1000 fitte (300 metre) %3,5 oranında ve 77°F (25°C) üzerinde her 10°F (5,6°C) derecede %1 oranında düşecektir. 30°ye kadar bir açıda motor tatmin edici şekilde çalışır. Yokuşlarda güvenli kullanım sınırları için cihazın kullanma kılavuzuna bakınız.

Servis Parçaları

Briggs & Stratton servis parçaları satın almak için BRIGGSandSTRATTON.COM adresine bir Yetkili Servis Bayisi bulun. Tanımlama numarasına (model - tip - trim) ihtiyacınız olacaktır. Motor tanımlama numaranızı bulmak için **Özellikler ve Kontroller** bölümüne bakın.

Güç Değerleri

Münferit benzin motoru modelleri için brüt güç sınıflandırması SAE (Otomotiv Mühendisleri Birliği) kod J1940 Küçük Motor Güç ve Tork Sınıflandırma Prosedürüne göre etiketlenmiştir ve SAE J1995'e göre sınıflandırılmıştır. Tork değerleri, etiketinde "dev/dak" yazan motorlar için 2600 dev/dak üzerinden, tüm diğerleri için 3060 Dev/Dak üzerinden hesaplanmıştır; beygir gücü değerleri 3600 Dev/Dak üzerinden hesaplanmıştır. Brüt güç eğrileri www.BRIGGSandSTRATTON.COM adresinde görülebilir. Net güç değerleri egzoz ve hava temizleyici takılarak, brüt güç değerleri ise bu ataşmanlar olmadan alınmıştır. Fiili brüt motor gücü net motor gücünden yüksek olacaktır ve başka şeylerin yanında ortam çalışma koşullarına ve motordan motora olan farklılığa bağlı olacaktır. Motorların takıldığı geniş ürün çeşitliliğine bakıldığında, benzin motoru belirli bir donanımda kullanıldığı zaman nominal brüt gücü veremeyebilir. Bu fark, bir sınırlandırma olmaksızın, motor parçalarının çeşitliliği (hava temizleyici, egzoz, şarj etme, soğutma, karbüratör, yakıt pompası vb.), uygulama sınırlamaları, ortam çalışma koşulları (sıcaklık, nem, rakım) ve motordan motora değişkenlik dâhil olmak üzere çeşitli etkenlere bağlıdır. Üretim ve kapasite sınırlamalarından dolayı Briggs & Stratton bir motorun yerine daha yüksek bir güç sınıfından bir motor koyabilir.

Garanti

Briggs & Stratton® Motor Garantisi

Yürürlük Tarihi: Ağustos 2022

Sınırlı Garanti

Briggs & Stratton aşağıda belirtilen garanti süresi boyunca malzemeden veya işçilikten ya da her ikisinden kaynaklanan bir kusuru olan herhangi bir parçayı ücretsiz tamir etmeyi veya yeni, yenilenmiş veya yeniden üretilmiş bir parçayla değiştirmeyi garanti etmektedir. Bu garanti uyarınca tamir veya değiştirme için gönderilen ürünlerin nakliye giderleri müşteriye aittir. Bu garanti aşağıda belirtilen süreler ve koşullar için geçerlidir ve onlara tabidir. Garanti hizmeti için, size en yakın Yetkili Servis Bayisini BRIGGSandSTRATTON.COM dahilindeki bayi arama haritasında bulabilirsiniz. Müşteri Yetkili Servis Sağlayıcı ile irtibata geçmeli ve ürünün Yetkili Servis Sağlayıcı tarafından incelenip test edilmesi için uygun şartları sağlamalıdır.

Başka bir açık garanti yoktur. Satılabilirlik ve belirli bir amaca uygunluk dahil olmak üzere zımnı garantiler, satın alma tarihinden itibaren bir yıl için ya da yasalar tarafından izin verilen süre ile sınırlıdır. Tüm diğer zımnı garantiler kapsam dışıdır. Arzı veya sonuç şeklindeki hasarların sorumluluğu yasaların istisnaya izin verdiği ölçüde kapsam dışında tutulacaktır. Bazı devletler veya ülkeler dolaylı bir garantinin ne kadar sürdüğüne bir sınırlama getirilmesine izin vermemektedir ve bazı devletler veya ülkeler arzı veya sonuç şeklindeki hasarların

dışarıda tutulmasına veya sınırlanmasına izin vermemektedir ve bu nedenle yukarıdaki sınırlama ve istisna sizin için geçerli olmayabilir. Bu garanti size belirli yasal haklar ve devletten devlete ve ülkeden ülkeye değişen bazı diğer haklar verir .

Standart Garanti Koşulları ^{1, 2}

Vanguard®; Ticari Seri

Tüketici Kullanımı - 36 ay

Ticari Kullanım - 36 ay

XR Serisi

Tüketici Kullanımı - 24 ay

Ticari Kullanım - 24 ay

Dura-Bore™ Dökme Demir Kovanlı Diğer Tüm Motorlar

Tüketici Kullanımı - 24 ay

Ticari Kullanım - 12 ay

Tüm Diğer Motorlar

Tüketici Kullanımı - 24 ay

Ticari Kullanım - 3 ay

¹ Bunlar bizim standart garanti koşullarımızdır, ama nadiren kitapçığın basım tarihinde henüz belirlenmemiş ilave garanti kapsamı olabilir. Motorunuzun güncel garanti koşulları için BRIGGSandSTRATTON.COM web sitesine gidin veya Briggs & Stratton Yetkili Servis Bayinize başvurun.

² Ana güç kaynağı olarak şebeke elektriği yerine jeneratör kullanan cihazların motorları, ticari amaçlı kullanılan yedek güç jeneratörleri, 25 MPH'yi aşan ticari araçlar veya yarış pistinde ya da ticari veya kiralık pistlerde kullanılan motorlar için garanti geçerli değildir.

* Avustralya'da - Ürünlerimiz Avustralya Tüketici Yasası uyarınca kapsam dışında tutulamayan garantiler ile gelmektedir. Büyük bir arıza için ürün değiştirme veya ücret iadesi hakkınız ve makul olarak önceden tahmin edilebilen başka bir kayıp veya hasar için tazminat hakkınız bulunmaktadır. Ayrıca ürünler kabul edilebilir kalitede olmadığı ve arıza büyük arıza niteliğinde olmadığı zaman da ürünlerin değiştirilmesi ve tamir edilmesi hakkınız vardır. Garanti hizmeti için, BRIGGSandSTRATTON.COM adresindeki bayi arama haritasını kullanarak veya 1300 274 447 numaralı telefonu arayarak ya da salesenquires@briggsandstratton.com.au adresine e-posta göndererek veya Briggs & Stratton Australia Pty Ltd, 1 Moorebank Avenue, Moorebank, NSW, Australia, 2170 posta adresine yazarak size en yakın Yetkili Servis Bayisini bulun.

Garanti süresi ilk bireysel tüketici veya ticari son kullanıcının ürünün satın alma tarihinde başlar ve yukarıdaki tabloda belirtilen süre boyunca devam eder. "Tüketici kullanımı", bir perakende tüketicisi tarafından mesken amaçlı kişisel kullanım anlamına gelir. "Ticari kullanım", ticari, gelir elde etme veya kiralama amaçları da dahil olmak üzere diğer tüm kullanımlar anlamına gelir. Bir motor bir defalık ticari kullanımın ardından, ticari kullanım motoru olarak kabul edilecektir ve bu garanti kapsamında ticari motor şartlarına tabi olacaktır.

Briggs & Stratton ürünleri ile ilgili garanti almak için, garanti kaydı yapılması gerekmez. Satın alma makbuzunuzu saklayın. Garanti servisi talep edildiği zaman, ilk satın alma tarihinin kanıtını sağlayamamanız halinde, garanti süresini belirlemek için ürünün üretim tarihi kullanılacaktır.

Garanti Kapsamı Hakkında Bilgi

Bu garanti sadece motorla ilgili arızalı malzeme ve/veya işçiliği kapsar, motorun monte edildiği cihazların değiştirilmesini veya iadesini kapsamaz. Rutin bakım, ayarlamalar, düzeltmeler, veya normal aşınma/yıpranmalar bu garanti kapsamına girmez. Benzer olarak, motorda değişiklik veya modifikasyon yapılmışsa, ya da motor seri numarası silinmiş veya sökülmişse garanti geçerli değildir. Bu garanti aşağıdakilerin neden olduğu motor hasarını veya performans sorunlarını kapsamamaktadır:

1. Orijinal Briggs & Stratton parçalarıBriggs & Stratton
2. Motorun yetersiz, kirli veya hatalı nitelikteki yağla çalıştırılması;
3. Kirli veya eski yakıt, %10'dan yüksek etanolla formüle edilmiş benzin veya sıvı petrol ya da doğal gaz gibi alternatif yakıtların, orijinalde Briggs & Stratton tarafından bu yakıtlarla kullanıma göre tasarlanmamış/üretilmemiş motorlarda kullanımı;
4. Hava temizleyiciye iyi bakım yapılmaması veya yerine düzgün monte edilmemesi nedeniyle motora giren kirler;
5. Döner çim biçme makinesi bıçağına sert bir cismin çarpması, gevşek veya hatalı takılmış bıçak adaptörleri, çark veya diğer krank miline bağlı aksamlar, ya da aşırı gergin v kayışı;
6. Debriyajlar, transmisyenler, ekipman kumandaları, vs. gibi Briggs & Stratton tarafından tedarik edilmeyen ilgili parça veya donanımlar;
7. Soğutma kanallarını ya da volan bölgesini kapayan veya tıkayan çim kırptınları, kir ve artıklar, veya kemirgen yuvaları;
8. Aşırı hız, gevşek motor montajı veya dengesiz bıçak veya çarklar, ya da ekipman parçalarının krank miline yanlış bağlanmasından kaynaklanan aşırı titreşim;

9. Hatalı kullanım, rutin bakım, nakliye, taşıma veya depolama eksikliği veya hatalı motor montajı.

Garanti servisi yalnız Yetkili Briggs & Stratton Servis Bayileri aracılığı ile verilmektedir. Size en yakın Yetkili Servis Merkezini BRIGGSandSTRATTON.COM'daki yetkili servis arama haritasında veya 1-800-444-7774 numaralı (ABD'de) telefonu arayarak bulabilirsiniz.

80114782 (Revizyon A)

Not for
Reproduction

Not for
Reproduction

Not for
Reproduction

VANGUARD®

Not for
Reproduction