



<b>EN</b>	Hedge Trimmer	INSTRUCTION MANUAL	6
<b>UK</b>	Ланцюгова пила для підрізування живоплоту	ІНСТРУКЦІЯ З ЕКСПЛУАТАЦІЇ	11
<b>PL</b>	Nożyce do żywopłotu	INSTRUKCJA OBSŁUGI	17
<b>RO</b>	Mașină de tuns gard viu	MANUAL DE INSTRUCȚIUNI	23
<b>DE</b>	Heckenschere	BEDIENUNGSANLEITUNG	29
<b>HU</b>	Sövénnyágó	HASZNÁLATI KÉZIKÖNYV	35
<b>SK</b>	Nožnice na živé ploty	NÁVOD NA OBSLUHU	40
<b>CS</b>	Zastříhovač živých plotů	NÁVOD K OBSLUZE	46

**UH4570**  
**UH5570**  
**UH6570**



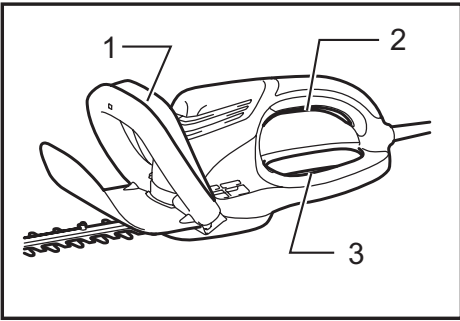


Fig.1

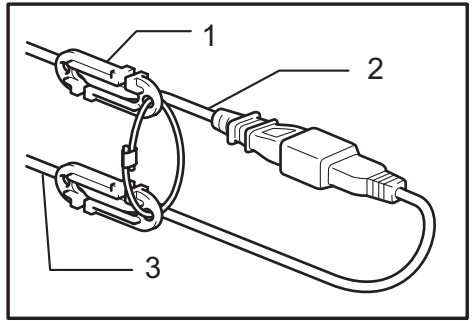


Fig.5

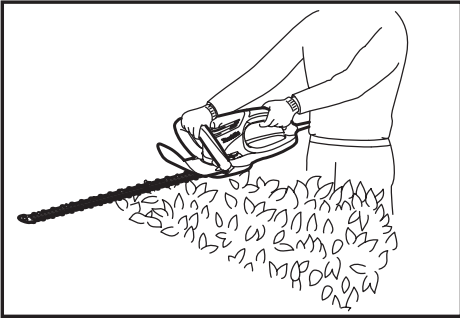


Fig.2

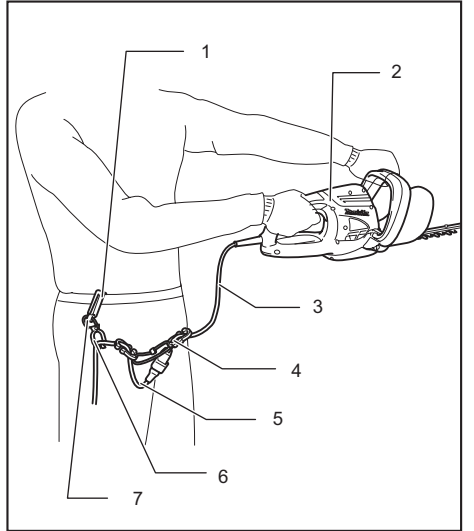


Fig.6

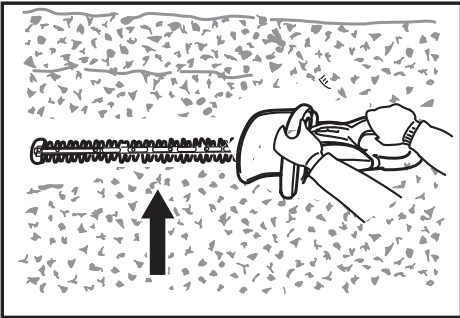


Fig.3

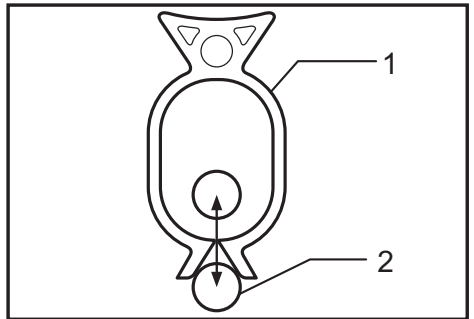


Fig.7

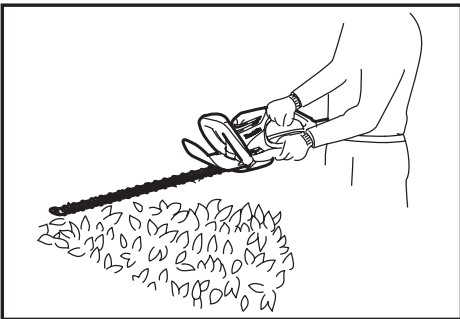


Fig.4

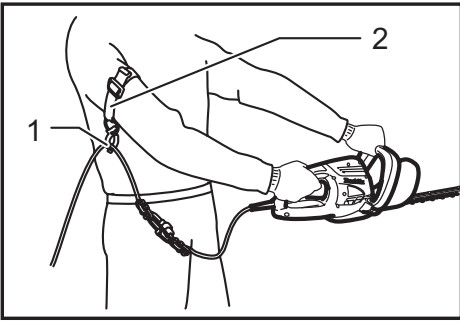


Fig.8

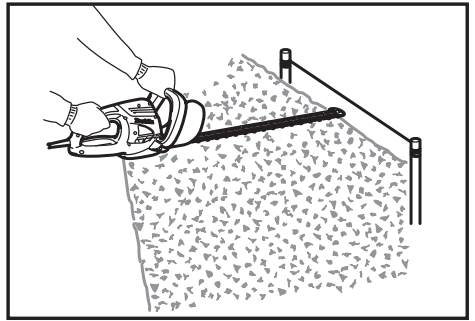


Fig.12

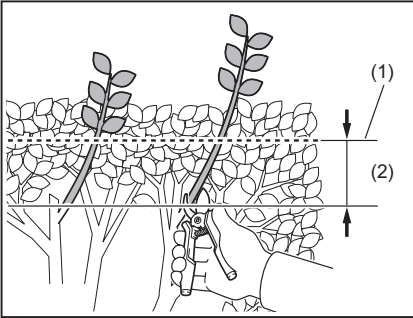


Fig.9

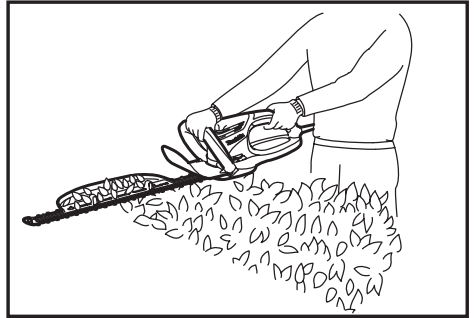


Fig.13

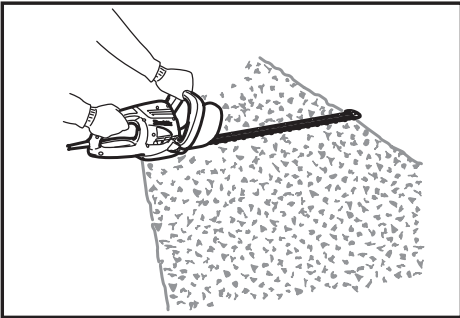


Fig.10

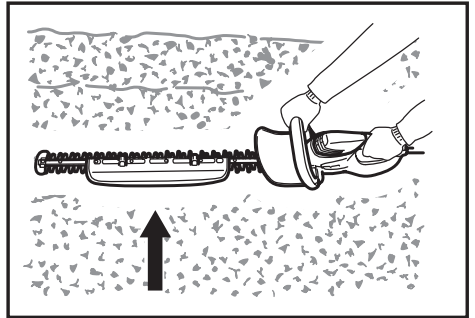


Fig.14

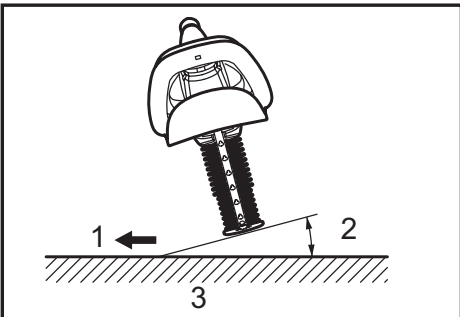


Fig.11

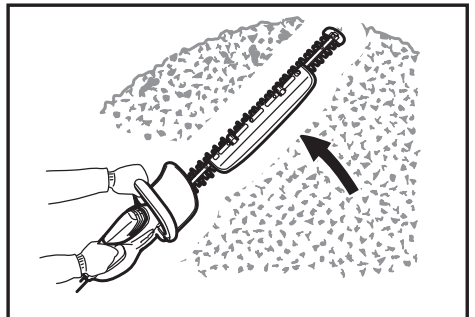


Fig.15

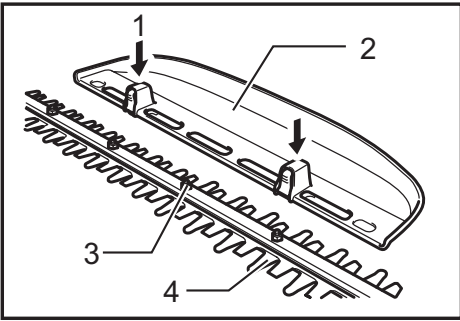


Fig.16

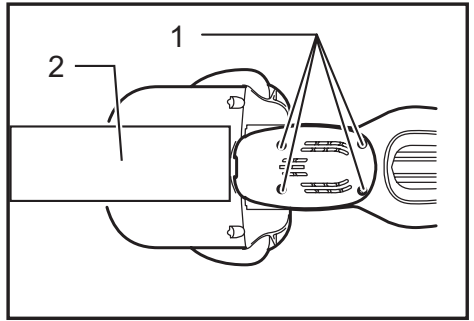


Fig.20

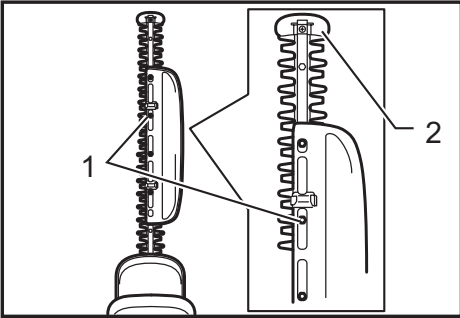


Fig.17

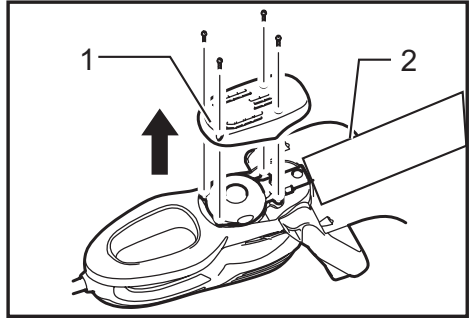


Fig.21

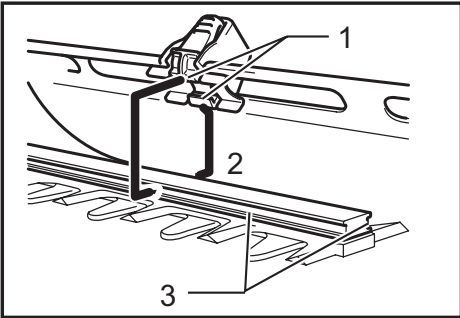


Fig.18

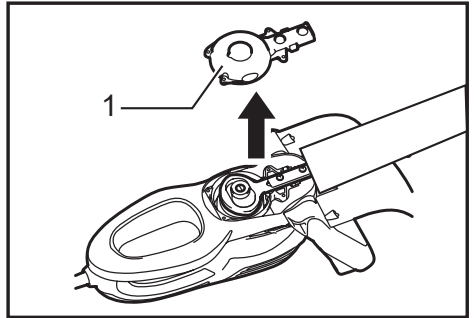


Fig.22

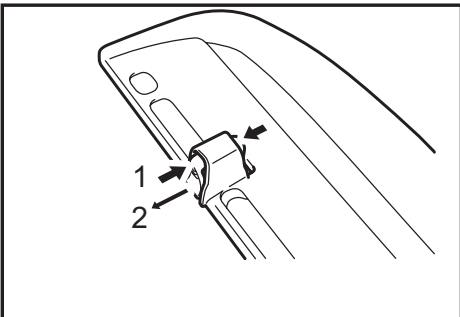


Fig.19

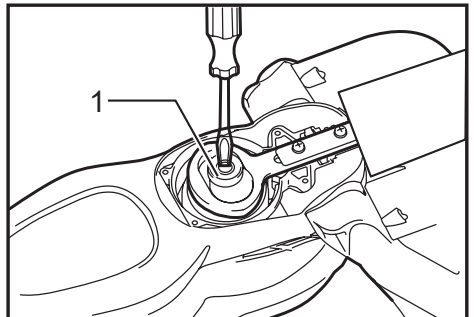


Fig.23

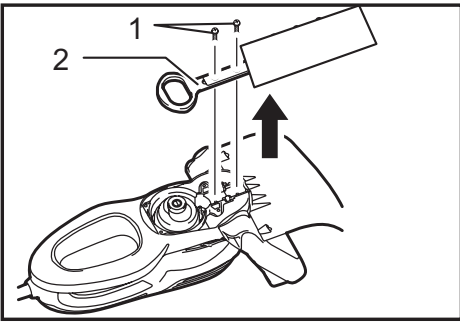


Fig.24

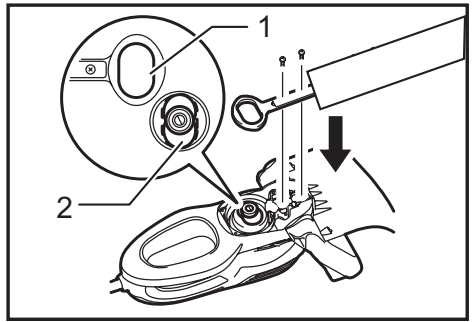


Fig.28

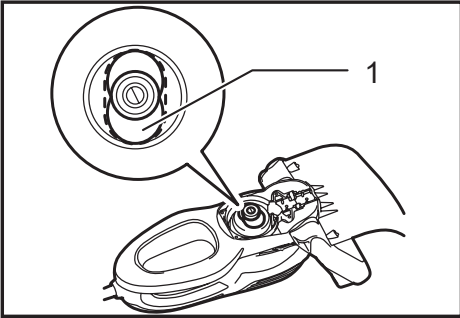


Fig.25

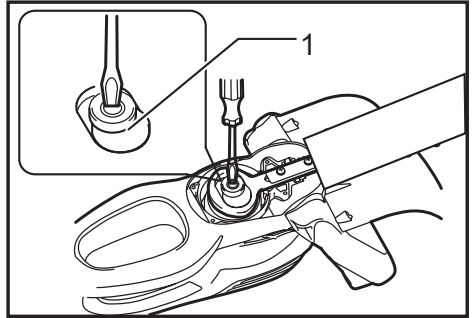


Fig.29

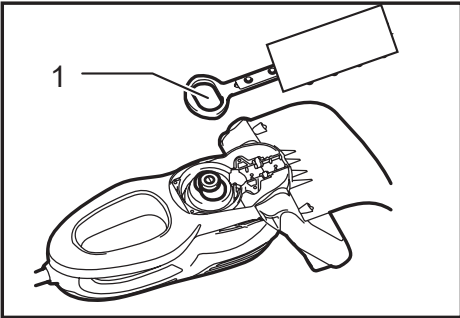


Fig.26

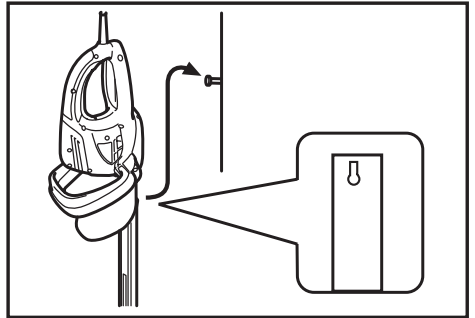


Fig.30

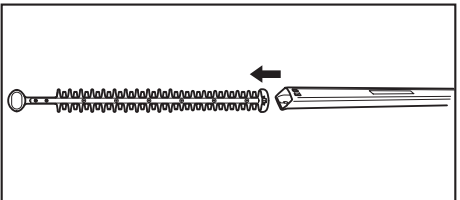


Fig.27

# SPECIFICATIONS

Model	UH4570	UH5570	UH6570
Blade length	450 mm	550 mm	650 mm
Strokes per minute (min <sup>-1</sup> )	1,600	1,600	1,600
Overall length	862 mm	970 mm	1,042 mm
Net weight	3.7 - 3.9 kg	3.7 - 3.9 kg	3.7 - 3.9 kg
Safety class	□/II		

- Due to our continuing program of research and development, the specifications herein are subject to change without notice.
- Specifications may differ from country to country.
- The weight may differ depending on the attachment(s). The lightest and heaviest combination, according to EPTA-Procedure 01/2014, are shown in the table.

## Symbol

The following show the symbols used for the equipment. Be sure that you understand their meaning before use.

	Read instruction manual.
	DOUBLE INSULATION
	Do not expose to rain.
	Remove plug from the mains immediately if the cable is damaged or cut.
	Only for EU countries Do not dispose of electric equipment together with household waste material! In observance of the European Directive, on Waste Electric and Electronic Equipment and its implementation in accordance with national law, electric equipment that have reached the end of their life must be collected separately and returned to an environmentally compatible recycling facility.

## Intended use

The tool is intended for trimming hedges.

## Power supply

The tool should be connected only to a power supply of the same voltage as indicated on the nameplate, and can only be operated on single-phase AC supply. They are double-insulated and can, therefore, also be used from sockets without earth wire.

## Noise

The typical A-weighted noise level determined according to EN60745-2-15:

Sound pressure level ( $L_{pA}$ ): 89.9 dB (A)

Sound power level ( $L_{WA}$ ): 97.9 dB (A)

Uncertainty (K): 1.5 dB (A)

**NOTE:** The declared noise emission value(s) has been measured in accordance with a standard test method and may be used for comparing one tool with another.

**NOTE:** The declared noise emission value(s) may also be used in a preliminary assessment of exposure.

**⚠ WARNING:** Wear ear protection.

**⚠ WARNING:** The noise emission during actual use of the power tool can differ from the declared value(s) depending on the ways in which the tool is used especially what kind of workpiece is processed.

**⚠ WARNING:** Be sure to identify safety measures to protect the operator that are based on an estimation of exposure in the actual conditions of use (taking account of all parts of the operating cycle such as the times when the tool is switched off and when it is running idle in addition to the trigger time).

## Vibration

The vibration total value (tri-axial vector sum) determined according to EN60745-2-15:

Work mode : hedge trimming

Vibration emission ( $a_h$ ): 6.7 m/s<sup>2</sup>

Uncertainty (K): 1.5 m/s<sup>2</sup>

**NOTE:** The declared vibration total value(s) has been measured in accordance with a standard test method and may be used for comparing one tool with another.

**NOTE:** The declared vibration total value(s) may also be used in a preliminary assessment of exposure.

**⚠ WARNING:** The vibration emission during actual use of the power tool can differ from the declared value(s) depending on the ways in which the tool is used especially what kind of workpiece is processed.

**⚠ WARNING:** Be sure to identify safety measures to protect the operator that are based on an estimation of exposure in the actual conditions of use (taking account of all parts of the operating cycle such as the times when the tool is switched off and when it is running idle in addition to the trigger time).

## EC Declaration of Conformity

### For European countries only

The EC declaration of conformity is included as Annex A to this instruction manual.

## General Power Tool Safety Warnings

**⚠WARNING** Read all safety warnings and all instructions. Failure to follow the warnings and instructions may result in electric shock, fire and/or serious injury.

**Save all warnings and instructions for future reference.**

## HEDGE TRIMMER SAFETY WARNINGS

- Keep all parts of the body away from the cutter blade. Do not remove cut material or hold material to be cut when blades are moving. Make sure the switch is off when clearing jammed material.** A moment of inattention while operating the hedge trimmer may result in serious personal injury.
- Carry the hedge trimmer by the handle with the cutter blade stopped. When transporting or storing the hedge trimmer always fit the cutting device cover.** Proper handling of the hedge trimmer will reduce possible personal injury from the cutter blades.
- Hold the power tool by insulated gripping surfaces only, because the cutter blade may contact hidden wiring or its own cord.** Cutter blades contacting a "live" wire may make exposed metal parts of the power tool "live" and could give the operator an electric shock.
- Keep cable away from cutting area.** During operation the cable may be hidden in shrubs and can be accidentally cut by the blade.
- Do not use the hedge trimmer in the rain or in wet or very damp conditions. The electric motor is not waterproof.
- First-time users should have an experienced hedge trimmer user show them how to use the trimmer.
- The hedge trimmer must not be used by children or young persons under 18 years of age. Young persons over 16 years of age may be exempted from this restriction if they are undergoing training under the supervision of an expert.
- Use the hedge trimmer only if you are in good physical condition. If you are tired, your attention will be reduced. Be especially careful at the end of a working day. Perform all work calmly and carefully. The user is responsible for all damages to third parties.
- Never use the trimmer when under the influence of alcohol, drugs or medication.
- Check to make sure that the voltage and frequency of the power supply correspond to the specifications given on the identification plate. We recommend the use of a residual-current-operated circuit breaker (ground-fault circuit interrupter) with a tripping current of 30 mA or less, or an earth leakage current protector.
- Work gloves of stout leather are part of the basic equipment of the hedge trimmer and must always be worn when working with it. Also wear sturdy shoes with anti-skid soles.
- Before starting work check to make sure that the trimmer is in good and safe working order. Ensure guards are fitted properly. Check cable for damage before starting work and replace if necessary. The hedge trimmer must not be used unless fully assembled.
- Keep cable away from the cutting area. Always work in such a way that the extension power cord is behind you.
- Remove plug from the mains immediately if cable is damaged or cut.
- Make sure you have a secure footing before starting operation.
- Hold the tool firmly when using the tool.
- Do not operate the tool at no-load unnecessarily.
- Immediately switch off the motor and unplug the mains plug if the cutter should come into contact with a fence or other hard object. Check the cutter for damage, and if damaged repair immediately.
- Before checking the cutter, taking care of faults, or removing material caught in the cutter, always switch off the trimmer and unplug the mains plug.
- Switch off the trimmer and disconnect and secure the mains plug before doing any maintenance work.
- When moving the hedge trimmer to another location, including during work, always unplug the mains plug and put the blade cover on the cutter blades. Never carry or transport the trimmer with the cutter running. Never grasp the cutter with your hands.
- Clean the hedge trimmer and especially the cutter after use, and before putting the trimmer into storage for extended periods. Lightly oil the cutter and put on the cover. The cover supplied with the unit can be hung on the wall, providing a safe and practical way to store the hedge trimmer.
- Store the hedge trimmer with the cover on, in a dry room. Keep it out of reach of children. Never store the trimmer outdoors.
- Do not operate the tool at no-load unnecessarily.**
- Never point the shear blades to yourself or others.**
- If the blades stop moving due to the stuck of foreign objects between the blades during operation, switch off the tool and unplug the mains plug, and then remove the foreign objects using tools such as pliers.** Removing the foreign objects by hand may cause an injury for the reason that the blades may move in reaction to removing the foreign objects.
- Avoid dangerous environment. Don't use the tool in damp or wet locations or expose it to rain. Water entering the tool will increase the risk of electric shock.**
- Check the hedges and bushes for foreign objects, such as wire fences or hidden wiring before operating the tool.**

## SAVE THESE INSTRUCTIONS.

**⚠WARNING: DO NOT let comfort or familiarity with product (gained from repeated use) replace strict adherence to safety rules for the subject product. MISUSE or failure to follow the safety rules stated in this instruction manual may cause serious personal injury.**

# FUNCTIONAL DESCRIPTION

## ⚠ CAUTION:

- Always be sure that the tool is switched off and unplugged before adjusting or checking function on the tool.

## Switch action

- **Fig.1:** 1. Switch trigger B 2. Switch trigger A 3. Switch trigger C

For your safety, this tool is equipped with a triple switching system. To turn on the tool, press two out of three triggers A, B and C. Release either one of the two pressed triggers to turn off. The sequence of switching is unimportant as the tool only starts when both switches are activated.

## Straight cut

- **Fig.2**

To trim the hedge straight, pull triggers A and B.

## Vertical cut

- **Fig.3**

Cut upwards with both hands pull the switch triggers B and C and move it in front of your body.

## Far area cut

- **Fig.4**

To trim the hedge in far area with both hands pull the switch triggers A and C.

# ASSEMBLY

## ⚠ CAUTION:

- Always be sure that the tool is switched off and unplugged before carrying out any work on the tool.

## Engage the extension cord

## ⚠ CAUTION:

- Make sure that the extension cord is unplugged to the mains outlet.

- **Fig.5:** 1. Hook complete 2. Extension cord 3. Tool's cord

When engaging the extension cord, secure it to the tool's cord with the hook complete. Attach the hook about 100 - 200 mm from the extension cord connector. This will help prevent unintentional disconnection.

# Waist cord hook

## ⚠ CAUTION:

- Do not attach the holder of waist cord hook to other than the extension cord. Do not attach it in a position closer to the tool beyond the hook complete. Failure to do so may cause an accident or personal injury.
- Attach firmly one hook of the hook complete to the tool's cord and the other hook of hook complete to the extension cord. Working with the tool with a sole hook only attached may cause an accident and injury.

Using the waist cord hook helps to minimizing a risk of cutting off the extension cord unexpectedly caused by the loose extension cord.

- **Fig.6:** 1. Hook 2. Tool 3. Tool's cord 4. Hook complete 5. Extension cord 6. Holder 7. Waist cord hook

Press in or pull out the cord through the opening of the holder.

- **Fig.7:** 1. Holder 2. Cord

## ⚠ CAUTION:

- Do not force the opening of the holder. Failure to do so may cause deflection and damage to it.

# Arm cord hook (Accessory)

## ⚠ CAUTION:

- Do not attach the holder of arm cord hook to other than the extension cord. Do not attach it in a position closer to the tool beyond the hook complete hooks. Failure to do so may cause an accident or personal injury.
- Attach firmly one hook of the hook complete to the tool's cord and the other hook of hook complete to the extension cord. Working with the tool with a sole hook only attached may cause an accident and injury.

Using the arm cord hook helps to minimize a risk of cutting off the extension cord unexpectedly caused by the loose extension cord.

- **Fig.8:** 1. Holder 2. Arm cord hook

Attach firmly the arm cord hook placing around your arm and pass the extension cord through the holder. The length of the arm cord hook band is adjustable.

## NOTE:

- Do not pass the extension cord through the band.
- Do not force the opening of the holder. Failure to do so may cause deflection and damage to it.
- Using the arm cord hook together with the waist cord hook is more helpful.



# OPERATION

## ⚠ CAUTION:

- Be careful not to accidentally contact a metal fence or other hard objects while trimming. The blade will break and may cause serious injury.
- Overreaching with a hedge trimmer, particularly from a ladder, is extremely dangerous. Do not work from anything wobbly or infirm.

**NOTICE: Do not attempt to cut branches thicker than 10 mm in diameter with the tool.** Cut branches to 10 cm lower than the cutting height using branch cutters before using the tool.

► **Fig.9:** (1) Cutting height (2) 10 cm

## ⚠ CAUTION:

- Do not cut off dead trees or similar hard objects. Failure to do so may damage the tool.

Hold the trimmer with both hands pull the switch trigger A or B and move it in front of your body.

► **Fig.10**

As a basic operation, tilt the blades towards the trimming direction and move it calmly and slowly at the speed rate of 3 - 4 seconds per meter.

► **Fig.11:** 1. Trimming direction 2. Tilt the blades 3. Hedge surface to be trimmed

To cut a hedge top evenly, it helps to tie a string at the desired hedge height and to trim along it, using it as a reference line.

► **Fig.12**

Attaching the chip receiver (accessory) on the tool when trimming the hedge straight can avoid cut off leaves' being thrown away.

► **Fig.13**

To cut a hedge side evenly, it helps to cut from the bottom upwards.

► **Fig.14**

Trim boxwood or rhododendron from the base toward the top for a nice appearance and good job.

► **Fig.15**

## Installing or removing chip receiver (accessory)

### ⚠ CAUTION:

- Always be sure that the tool is switched off and unplugged before installing or removing chip receiver.

### NOTE:

- When replacing the chip receiver, always wear gloves so that hands and face does not directly contact the blade. Failure to do so may cause personal injury.
- Always be sure to remove the blade cover before installing the chip receiver.
- The chip receiver receives cut-off leaves and alleviates collecting thrown-away leaves. This can be installed on either side of the tool.

► **Fig.16:** 1. Press 2. Chip receiver 3. Nut 4. Shear blade

Press the chip receiver on the shear blades so that its slits overlap with the nuts on the shear blades. At this time, make sure that the chip receiver does not contact branch catcher at the top of the shear blades.

► **Fig.17:** 1. Nut 2. Branch catcher

At this time, the chip receiver needs to be installed so that its hooks fit into grooves in the shear blade unit.

► **Fig.18:** 1. Hooks 2. Fit the hooks into groove 3. Grooves

To remove the chip receiver, press its lever on both sides so that the hooks are unlocked.

► **Fig.19:** 1. Press the levers on both sides 2. Unlock the hooks

### ⚠ CAUTION:

- The blade cover (standard equipment) cannot be installed on the tool with the chip receiver being installed. Before carrying or storing, uninstall the chip receiver and then install the blade cover to avoid blade exposure.

### NOTE:

- Check the chip receiver for secure installment before use.
- Never try to uninstall the chip receiver by an excessive force with its hooks locked in the blade unit grooves. Using the excessive force may damage it.

# MAINTENANCE

### ⚠ CAUTION:

- Always be sure that the tool is switched off and unplugged before attempting to perform inspection or maintenance.

## Cleaning the tool

Clean out the tool by wiping off dust with a dry or soap-dipped rag.

### ⚠ CAUTION:

- Never use gasoline, benzine, thinner, alcohol or the like. Discoloration, deformation or cracks may result.

## Blade maintenance

Smear the blade before and once per hour during operation using machine oil or similars.

After operation, remove dust from both sides of the blade with wired brush, wipe off it with a rag and then apply enough low-viscosity oil, such as machine oil etc. and spray-type lubricating oil.

### ⚠ CAUTION:

- Do not wash the blades in water. Failure to do so may cause rust or damage on the tool.

**NOTICE: If the parts other than the shear blades such as the crank are worn out, ask Makita Authorized Service Centers for parts replacement or repairs.**

## Removing or installing shear blade

### ⚠ CAUTION:

- Before removing or installing shear blade, always be sure that the tool is switched off and unplugged.
- When replacing the shear blade, always wear gloves without removing blade cover so that hands and face does not directly contact the blade. Failure to do so may cause personal injury.

### NOTE:

- Do not wipe off grease from the gear and crank. Failure to do so may cause damage to the tool.
- For specific way of removing and installing shear blades refer to the reverse of a package for accessory shear blades.

## Removing the shear blades

Reverse the tool and loosen four screws.

- ▶ **Fig.20:** 1. Screws 2. Blade cover

### NOTE:

- Be careful not to get your hands dirty as grease is applied in the shear blade driving area.

Remove the under cover.

- ▶ **Fig.21:** 1. Under cover 2. Blade cover

Remove the gear housing cover.

- ▶ **Fig.22:** 1. Gear housing cover

Set the crank at the angle as shown in the figure with a slotted bit screwdriver.

- ▶ **Fig.23:** 1. Crank

Remove two screws from the shear blades and the shear blade unit will be taken out.

- ▶ **Fig.24:** 1. Screws 2. Shear blade

### ⚠ CAUTION:

- Return the gear to the original position in such a manner as it was installed if it should be taken away by mistake.

## Installing the shear blade

Prepare 4 removed screws (For under cover), 2 screws (For shear blade), gear housing cover, under cover, and new shear blades.

Adjust the crank position as shown in the figure. At this time, apply some grease provided with new shear blades to the periphery of the crank.

- ▶ **Fig.25:** 1. Crank

Overlap the oval hole in the upper blade with that in the lower one.

- ▶ **Fig.26:** 1. Ellipse of shear blade

Take out the blade cover from the old shear blades and fit it onto the new ones for easy handling during the replacement of blades.

- ▶ **Fig.27**

Place the new shear blades on the tool so that the oval holes in the shear blades fit onto the crank. Overlap the holes in the shear blades with the screw holes in the tool and then secure them with two screws.

- ▶ **Fig.28:** 1. Ellipse of shear blade 2. Crank

Check the crank for smooth turn with a slotted bit screwdriver.

- ▶ **Fig.29:** 1. Crank

Install the gear housing, under cover on the tool.

Tighten the screw firmly.

Remove the blade cover and then turn on the tool to check it for proper movement.

### NOTE:

- When the shear blades does not operate properly, there is a poor fit between the blades and crank. Redo from the beginning.

## Storage

The hook hole in the bottom of the blade cover is convenient for hanging the tool from a nail or screw on the wall.

- ▶ **Fig.30**

Put the blade cover on the shear blades so that the blades are not exposed. Store the tool out of the reach of children carefully.

Store the tool in the place not exposed to water and rain.

To maintain product SAFETY and RELIABILITY, repairs, carbon brush inspection and replacement, any other maintenance or adjustment should be performed by Makita Authorized Service Centers, always using Makita replacement parts.

## OPTIONAL ACCESSORIES

### ⚠ CAUTION:

- These accessories or attachments are recommended for use with your Makita tool specified in this manual. The use of any other accessories or attachments might present a risk of injury to persons. Only use accessory or attachment for its stated purpose.

If you need any assistance for more details regarding these accessories, ask your local Makita Service Center.

- Blade cover
- Hook complete
- Shear blade assembly
- Waist cord hook
- Arm cord hook

### NOTE:

- Some items in the list may be included in the tool package as standard accessories. They may differ from country to country.

## ТЕХНІЧНІ ХАРАКТЕРИСТИКИ

Модель	UH4570	UH5570	UH6570
Довжина полотна	450 мм	550 мм	650 мм
Швидкість ланцюга за хвилину (хв. <sup>-1</sup> )	1600	1600	1600
Загальна довжина	862 мм	970 мм	1042 мм
Чиста вага	3,7 - 3,9 кг	3,7 - 3,9 кг	3,7 - 3,9 кг
Клас безпеки	II		

- Оскільки наша програма наукових досліджень і розробок триває безперервно, наведені тут технічні характеристики можуть бути змінені без попередження.
- У різних країнах технічні характеристики можуть бути різними.
- Вага може відрізнятися залежно від допоміжного обладнання. Найлегші та найважчі комплекти, відповідно до стандарту ЕРТА (Європейська асоціація виробників електроінструменту) від січня 2014 року, представлено в таблиці.

### Умове позначення

Далі наведені символи, які застосовуються для позначення обладнання. Перед користуванням переконайтеся, що Ви розумієте їхнє значення.



Прочитайте інструкцію з експлуатації.



ПОДВІЙНА ІЗОЛЯЦІЯ



Не залишайте інструмент під дощем.



Якщо кабель пошкоджений або відрізаний, негайно від'єднайте вилку від електричної мережі.



Тільки для країн ЄС  
Не утилізуйте електричне обладнання разом із побутовими відходами! Згідно з Європейською директивою про утилізацію електричного та електронного обладнання і з її використанням із дотриманням національних законів, електричне обладнання, термін служби якого закінчився, слід збирати в окремо відведених місцях і повертати на відповідні підприємства з його переробки.

### Призначення

Інструмент призначено для підрізки живоплоту.

### Джерело живлення

Інструмент можна підключати лише до джерела живлення, що має напругу, зазначену в таблиці із заводськими характеристиками, і він може працювати лише від однофазного джерела змінного струму. Він має подвійну ізоляцію, а отже може також підключатися до розеток без лінії заземлення.

### Шум

Рівень шуму за шкалою А у типовому виконанні, визначений відповідно до EN60745-2-15:

Рівень звукового тиску ( $L_{pA}$ ): 89,9 дБ (А)

Рівень звукової потужності ( $L_{WA}$ ): 97,9 дБ (А)

Похибка (К): 1,5 дБ (А)

**ПРИМІТКА:** Заявлене значення шуму було виміряно відповідно до стандартних методів тестування й може використовуватися для порівняння одного інструмента з іншим.

**ПРИМІТКА:** Заявлене значення шуму може також використовуватися для попереднього оцінювання впливу.

**▲ПОПЕРЕДЖЕННЯ:** Користуйтеся засобами захисту органів слуху.

**▲ПОПЕРЕДЖЕННЯ:** Залежно від умов використання рівень шуму під час фактичної роботи електроінструмента може відрізнятися від заявленого значення вібрації; особливо сильно на це впливає тип деталі, що оброблюється.

**▲ПОПЕРЕДЖЕННЯ:** Забезпечте належні запобіжні заходи для захисту оператора, що відповідатимуть умовам використання інструмента (слід брати до уваги всі складові робочого циклу, як-от час, коли інструмент вимкнено та коли він починає працювати на холостому ході під час запуску).

### Вібрація

Загальна величина вібрації (сума трьох векторів) визначена згідно з EN60745-2-15:

Режим роботи: підтримання живої огорожі

Вібрація ( $a_h$ ): 6,7 м/с<sup>2</sup>

Похибка (К): 1,5 м/с<sup>2</sup>

**ПРИМІТКА:** Заявлене загальне значення вібрації було виміряно відповідно до стандартних методів тестування й може використовуватися для порівняння одного інструмента з іншим.

**ПРИМІТКА:** Заявлене загальне значення вібрації може також використовуватися для попереднього оцінювання впливу.

**⚠ПОПЕРЕДЖЕННЯ:** Залежно від умов використання вібрація під час фактичної роботи електроінструмента може відрізнятися від заявленого значення вібрації; особливо сильно на це впливає тип деталі, що оброблюється.

**⚠ПОПЕРЕДЖЕННЯ:** Забезпечте належні запобіжні заходи для захисту оператора, що відповідатимуть умовам використання інструмента (слід брати до уваги всі складові робочого циклу, як-от час, коли інструмент вимкнено та коли він починає працювати на холостому ході під час запуску).

## Декларація про відповідність стандартам ЄС

### Тільки для країн Європи

Декларацію про відповідність стандартам ЄС наведено в Додатку А до цієї інструкції з експлуатації.

## Застереження стосовно техніки безпеки при роботі з електроприладами

**⚠УВАГА!** Прочитайте усі застереження стосовно техніки безпеки та всі інструкції. Недотримання даних застережень та інструкцій може призвести до ураження струмом та виникнення пожежі та/або серйозних травм.

**Збережіть усі інструкції з техніки безпеки та експлуатації на майбутнє.**

## ПОПЕРЕДЖЕННЯ ПРО НЕОБХІДНУ ОБЕРЕЖНІСТЬ ПІД ЧАС РОБОТИ З ЛАНЦЮГОВОЮ ПИЛОЮ

1. Тримайте всі частини тіла на відстані від ріжучого полотна. Не зчищайте зрізаний матеріал і не притримуйте матеріал, який Ви хочете зрізати, під час руху полотна. Обов'язково переконайтеся в тому, що вимикач стоїть у положенні «Вимкнено» при видаленні застряглого матеріалу. Одна мить необережності при експлуатації ланцюгової пили може призвести до серйозної травми.
2. При перенесенні тримайте ланцюгову пилу за руків'я при нерухомому ріжучому полотні. При транспортуванні або зберіганні інструменту завжди закривайте полотно кришкою. Правильне поводження з інструментом зменшить ризик травмування ланцюгом.
3. Електроінструмент слід тримати тільки за ізольовані поверхні держака, оскільки ріжуче полотно може зачепити сховану електропроводку. Торкання ріжучим полотном струмоведучої проводки може призвести до передання напруги до оголених металевих частин електроінструмента та до ураження оператора електричним струмом.

4. Тримайте кабель на відстані від зони підрізування. Під час експлуатації Ви можете не помітити кабель у заростях та випадково переříзати його пилою.
5. Не використовуйте ланцюгову пилу під час дощу або за умов високої вологості або сирості. Електричний двигун не є водостійким.
6. Користувачі-початківці повинні мати досвідченого користувача, який зміг би показати, як правильно працювати з інструментом.
7. Дітям та підліткам молодше 18 років забороняється користуватися ланцюговою пилою. Цю заборону може бути знято з юнаків віком старших 16 років під час проходження практики під наглядом майстра.
8. Працювати з пилою можна, лише якщо Ви у хорошому фізичному стані. Якщо Ви втомлені, Ваша увага знижена. Будьте особливо обережними наприкінці робочого дня. Всю роботу слід виконувати спокійно та обережно. Користувач несе відповідальність за будь-яку шкоду, завдану третім сторонам.
9. Забороняється працювати з пилою після вживання алкоголю, ліків або медичних препаратів.
10. Переконайтеся в тому, що напруга та частота джерела струму відповідають специфікаціям на паспортній табличці. Ми рекомендуємо використовувати пристрій захисного відключення (переривач замикання на землю) зі струмом вимикання 30 мА або нижче, або запобіжник витікання струму на землю.
11. Робочі рукавиці з міцної гуми входять до набору обладнання ланцюгової пили; обов'язково одягайте їх при роботі з нею. Взуття повинно бути міцним, з нековзними підошвами.
12. Перед початком роботи перевірте, чи справна пила та чи знаходиться вона у хорошому робочому стані. Перевірте, чи правильно закріплені запобіжні деталі корпусу. Перед початком роботи перевірте кабель на предмет пошкоджень; при необхідності замініть його. Забороняється використовувати ланцюгову пилу, якщо вона неповністю зібрана.
13. Тримайте кабель на відстані від зони підрізування. При експлуатації пили кабель-подовжувач повинен завжди знаходитися позаду Вас.
14. негайно вийміть штепсель з мережі живлення при пошкодженні або перерізуванні кабелю.
15. Перед початком роботи переконайтеся, що Ви стоїте на надійній поверхні.
16. Під час роботи тримайте інструмент міцно.
17. Не слід дуже довго залишати інструмент працювати на холостому ході.
18. негайно вимкніть двигун та вийміть штепсель з мережі живлення, якщо ріжуче полотно доторкнеться до паркану або до іншого твердого предмету. Перевірте ріжуче полотно на предмет пошкодження; при пошкодженні – негайно полагодьте його.
19. Перед перевіркою ріжучого пристрою, усуненням неполадок або усуненням матеріалу, застряглого у ріжучому полотні, завжди вимикайте пилу та виймайте штепсель з мережі живлення.

20. Вимикайте пилу та обов'язково від'єднуйте штепсель перед проведенням будь-якої роботи з технічного обслуговування.
21. Під час переміщення пили для підрізування живоплоту у інше місце, зокрема під час роботи, завжди виймайте штепсель з мережі живлення та встановлюйте на ножове полотно кришку ножевого полотна. Ніколи не перевозьте та не перевозіть пилу для підрізування живоплоту з працюючим ріжучим пристроєм. Ніколи не тримайтеся за ріжучий пристрій руками.
22. Почистіть ланцюгову пилу, а особливо ріжуче полотно після використання та перед тим, як покласти інструмент для довготривалого зберігання. Злегка змастіть ріжуче полотно та накрийте його кришкою. Кришку, що додається до обладнання, можна повісити на стіні, що забезпечує безпечно та практичне зберігання ланцюгової пили.
23. Зберігайте ланцюгову пилу у чохлах у сухому приміщенні. Тримайте інструмент у місці, недоступному для дітей. Ланцюгову пилу забороняється зберігати на відкритому повітрі.
24. **Не слід дуже довго залишати інструмент працювати на холостому ході.**
25. **Ніколи не направляйте леза секатора на себе або інших людей.**
26. **Якщо під час роботи ножі зупиняються внаслідок потрапляння між ними сторонніх предметів, вимкніть інструмент, від'єднайте вилку від розетки й видаліть сторонні предмети, наприклад, плоскогубцями.** Видалення сторонніх предметів руками пов'язане з ризиком травмування, оскільки під час видалення сторонніх предметів ножі можуть зміститися.
27. **Не працюйте з інструментом у небезпечних умовах. Не користуйтеся інструментом у вологих або мокрих місцях і не допускайте його знаходження під дощем.** У випадку потрапляння води в інструмент зростає ризик ураження електричним струмом.
28. **Перед початком робіт з інструментом перевіряйте живопліт і куці на наявність сторонніх предметів, як-от дряпані загорожі чи прихована електропроводка.**

## ЗБЕРІГАЙТЕ ЦІ ВКАЗІВКИ.

**⚠ПОПЕРЕДЖЕННЯ:** ніколи не слід втрачати пильності та розслаблюватися під час користування виробом (що трапляється при частому використанні); слід завжди строго дотримуватися правил безпеки під час використання цього пристрою. **НЕНАЛЕЖНЕ ВИКОРИСТАННЯ** або недотримання правил безпеки, викладених в цьому документі, може призвести до серйозних травм.

## ІНСТРУКЦІЯ З ВИКОРИСТАННЯ

### ⚠ОБЕРЕЖНО:

- Перед регулюванням та перевіркою справності інструменту, переконайтеся в тому, що він вимкнений та відключений від мережі.

### Дія вимикача

- **Рис.1:** 1. Курковий вмикач В 2. Курковий вмикач А 3. Курковий вмикач С

Для Вашої безпеки інструмент обладнано потрійною системою вмикання. Щоб увімкнути інструмент, натисніть на два з трьох куркових вмикачів А, В та С. Відпустіть будь-який з двох натиснутих куркових вмикачів, щоб вимкнути інструмент. Порядок вмикання не є важливим, так як інструмент вмикається, лише коли обидва вимикачі включено.

### Пряме підрізування

- **Рис.2**

Щоб прямо підрізати живопліт, натисніть на куркові вмикачі А та В.

### Вертикальне підрізування

- **Рис.3**

Щоб провести підрізування у напрямку догори, обома руками натисніть на куркові вмикачі В та С та підріжте живопліт перед собою.

### Підрізування у віддаленій зоні

- **Рис.4**

Щоб підрізати живопліт у віддаленій зоні, натисніть обома руками на куркові вмикачі А та С.

## КОМПЛЕКТУВАННЯ

### ⚠ОБЕРЕЖНО:

- Перед тим, як щось встановлювати на інструмент, переконайтеся в тому, що він вимкнений та відключений від мережі.

### Використовуйте шнур-подовжувач.

### ⚠ОБЕРЕЖНО:

- Обов'язково вимкніть з розетки шнур-подовжувач.

- **Рис.5:** 1. З'єднувальний гачок 2. Шнур подовжувач 3. Кабель інструменту

При використанні шнура-подовжувача скріпіть його з кабелем інструменту за допомогою з'єднувального гачка. Приєднуйте гачок на відстані 100 - 200 мм від шнура-подовжувача: це забезпечить його від випадкового відключення.

## Напоясне кріплення для кабелю

### ⚠ ОБЕРЕЖНО:

- Приєднайте фіксатор напоясного кріплення для кабелю лише до шнура-подовжувача. Не приєднайте його ближче до інструменту, перед з'єднувальним гачком. Недотримання цієї інструкції може призвести до нещасного випадку або травмування.
- Міцно приєднайте одне кріплення з'єднувального гачка до кабелю інструмента, а інше кріплення з'єднувального гачка – до шнура-подовжувача. Робота з лише одним приєднаним кріпленням може призвести до нещасного випадку та травмування.

Використання напоясного кріплення для кабелю допомагає мінімізувати ризик випадкового перерізування шнура-подовжувача через ненацягнутий шнур-подовжувач.

► **Рис.6:** 1. Скоба 2. Інструмент 3. Кабель інструмента 4. З'єднувальний гачок 5. Шнур-подовжувач 6. Тримач 7. На поясне кріплення для кабелю

Натисніть всередину або витягніть кабель через отвір фіксатора.

► **Рис.7:** 1. Тримач 2. Кабель

### ⚠ ОБЕРЕЖНО:

- Не прикладайте силу до отвору фіксатора. Недотримання цієї інструкції може призвести до його деформації та пошкодження.

## Наплічне кріплення для кабелю (додаткове обладнання)

### ⚠ ОБЕРЕЖНО:

- Приєднайте фіксатор наплічного кріплення для кабелю лише до шнура-подовжувача. Не приєднайте його ближче до інструменту, перед кріпленнями з'єднувального гачка. Недотримання цієї інструкції може призвести до нещасного випадку або травмування.
- Міцно приєднайте одне кріплення з'єднувального гачка до кабелю інструмента, а інше кріплення з'єднувального гачка – до шнура-подовжувача. Робота з лише одним приєднаним кріпленням може призвести до нещасного випадку та травмування.

Використання наплічного кріплення для кабелю допомагає мінімізувати ризик випадкового перерізування шнура-подовжувача через ненацягнутий шнур-подовжувач.

► **Рис.8:** 1. Тримач 2. Наплічне кріплення для кабелю

Міцно приєднайте наплічне кріплення для кабелю, одягнувши його на плече, та проведіть шнур-подовжувач через фіксатор. Довжина ремня наплічного кріплення для кабелю може регулюватися.

### ПРИМІТКА:

- Не проводьте шнур-подовжувач через ремінь.
- Не прикладайте силу до отвору фіксатора. Недотримання цієї інструкції може призвести до його деформації та пошкодження.
- Рекомендується використовувати наплічне кріплення для кабелю разом з на поясным кріпленням для кабелю.

## ЗАСТОСУВАННЯ

### ⚠ ОБЕРЕЖНО:

- Будьте обережні: не допускайте випадкового контакту з металом або іншими твердими предметами під час проведення підрізування. Ріжуче полотно може зламатися та завдати серйозної травми.
- Не працюйте з ланцюговою пилою, дотягуючись до віддалених зон, особливо стоячи на драбині: це надзвичайно небезпечно. Під час роботи не стійте на нестійкій або неміцній поверхні.

**УВАГА:** Не намагайтеся зрізати пилою гілки, товстіші за 10 мм у діаметрі. Перш ніж скористатися цим інструментом, підріжте такі гілки на 10 см нижче висоти різання за допомогою садових ножиць.

► **Рис.9:** (1) Висота різання (2) 10 см

### ⚠ ОБЕРЕЖНО:

- Не зрізайте засохлі дерева чи інші подібні тверді предмети. Недотримання цієї інструкції може призвести до пошкодження інструменту.

Тримайте ланцюгову пилу обома руками, натисніть на куркові вмикачі А та В та проведіть зрізування перед собою.

► **Рис.10**

У порядку стандартної дії при роботі, нахиліть ріжуче полотно у напрямку проведення підрізування, рухайте ним спокійно та повільно при швидкості з розрахунку 3 - 4 секунди на метр.

► **Рис.11:** 1. Напрямок підрізування 2. Нахиліть полотно 3. Поверхня живоплоту, яку необхідно підрізати

Щоб рівномірно підрізати верхню частину живоплоту, рекомендується прив'язати мотузку на бажаній висоті живоплоту та провести підрізування вздовж неї, використовуючи її у якості орієнтиру.

► **Рис.12**

Приєднання уловлювача скалок (додаткове обладнання) до інструмента під час прямого підрізування живоплоту дозволяє запобігти розкиданню зрізаного листа.

► **Рис.13**

Щоб рівномірно підрізати бокову частину живоплоту, рекомендується проводити підрізування у напрямку знизу вгору.

► **Рис.14**

Підрізайте самшит або рододендрон у напрямку від основи догори, щоб у результаті досягнути гарного вигляду та отримати хороші результати роботи.

► **Рис.15**

## Установка та знімання уловлювача скалок (додаткове обладнання)

### **⚠ОБЕРЕЖНО:**

- Перед установкою або зніманням уловлювача скалок обов'язково вимкніть інструмент та від'єднайте його від мережі живлення.

### **ПРИМІТКА:**

- При заміні уловлювача скалок завжди одягайте рукавиці, щоб уникнути прямого контакту рук та обличчя з ріжучим полотном. Недотримання цієї інструкції може призвести до травмування.
- Перед встановленням уловлювача скалок завжди знімайте кришку ножевого полотна.
- Уловлювач скалок уловлює зрізане листя і полегшує збирання зрізаного листя. Його можна встановити з будь-якого боку інструменту.

► **Рис.16:** 1. Натиснути 2. Уловлювач скалок 3. Гайка 4. Ножове полотно

Притисніть уловлювач скалок до ножевого полотна таким чином, щоб його прорізи перекривали гайки ножевого полотна. При цьому не допускайте контакту уловлювача скалок із захватом для гілок зверху ножевого полотна.

► **Рис.17:** 1. Гайка 2. Захват для гілок

При цьому уловлювач скалок необхідно встановити таким чином, щоб його гачки увійшли в пази на механізмі ножевого полотна.

► **Рис.18:** 1. Кріплення 2. З'єднайте гачки з пазом 3. Пази

Для того щоб зняти уловлювач скалок, натисніть на його важіль з обох боків, так щоб його гачки від'єдналися.

► **Рис.19:** 1. Натисніть важелі з обох боків 2. Від'єднайте гачки

### **⚠ОБЕРЕЖНО:**

- Кришка ножевого полотна (стандартне обладнання) не може бути встановлений на інструмент, якщо на ньому встановлено уловлювач скалок. Перед перенесенням або зберіганням інструменту зніміть уловлювач скалок, після чого закрийте ножове полотно чохлом.

### **ПРИМІТКА:**

- Перевірте, чи надійно встановлено уловлювач скалок, перед тим як почати роботу.
- Ніколи не намагайтеся зняти уловлювач скалок, прикладаючи надмірну силу, щоб від'єднати його гачки від пазів ріжучого механізму: використання надмірної сили може призвести до його пошкодження.

## ТЕХНІЧНЕ ОБСЛУГОВУВАННЯ

### **⚠ОБЕРЕЖНО:**

- Перед тим, як оглянути інструмент, або виконати ремонт, переконайтеся, що він вимкнений та відключений від мережі.

## Чистка інструменту

Проводьте чистку інструменту, витираючи пил сухою або змоченою в милі ганчіркою.

### **⚠ОБЕРЕЖНО:**

- Ніколи не використовуйте газолін, бензин, розріджувач, спирт та подібні речовини. Їх використання може призвести до зміни кольору, деформації та появи тріщин.

## Технічне обслуговування ножевого полотна

Змашуйте полотно мастилом або аналогічним засобом перед початком роботи та через кожну годину під час роботи. По закінченню роботи усуньте пил з обох боків полотна дратяною щіткою, протріть його ганчіркою, після чого нанесіть достатню кількість малов'язкого мастила, такого як машинне мастило і т. п. та розпилене мастило.

### **⚠ОБЕРЕЖНО:**

- Не мийте ріжуче полотно у воді. Недотримання цієї інструкції може призвести до утворення іржі та пошкодження інструменту.

**УВАГА:** У разі зношення будь-яких деталей інструмента (крім лез секатора), наприклад кривошипа, зверніться до авторизованого сервісного центру Makita, щоб їх замінити або відремонтувати.

## Знімання та установка ножевого полотна

### **⚠ОБЕРЕЖНО:**

- Перед зніманням або установкою ножевого полотна обов'язково вимкніть інструмент та від'єднайте його від мережі живлення.
- При заміні ножевого полотна завжди носіть рукавиці, не знімаючи кришку, щоб уникнути прямого контакту рук і обличчя з ріжучим полотном. Недотримання цієї інструкції може призвести до травмування.

### **ПРИМІТКА:**

- Не витирайте мастило з зубчатої передачі та кривошипного механізму. Недотримання цієї інструкції може призвести до пошкодження інструменту.
- Для того, щоб ознайомитися з детальною інформацією щодо способу знімання та установки ножевого полотна, дивіться зворотну сторону упаковки для додаткового ножевого полотна.

## Знімання ножового полотна

Переверніть інструмент та ослабте чотири гвинти.

► **Рис.20:** 1. Гвинти 2. Кришка диску

### ПРИМІТКА:

- Будьте обережні, не забрудніть руки, так як приводна частина механізму ножового полотна змащена мастилом.

Зніміть внутрішню кришку.

► **Рис.21:** 1. Нижня кришка 2. Кришка диску

Зніміть кожух зубчатої передачі.

► **Рис.22:** 1. Кожух зубчатої передачі

Перемістіть кривошипний механізм під кутом, як вказано на малюнку, за допомогою а slotted bit викрутки.

► **Рис.23:** 1. Кривошипний механізм

Відгвинтіть два гвинти з ножового полотна, після чого механізм ножового полотна можна буде зняти.

► **Рис.24:** 1. Гвинти 2. Ножове полотно

### ⚠ОБЕРЕЖНО:

- Поверніть зубчатую передачу у вихідне положення, в яке вона була попередньо встановлена, у разі, якщо її помилково було з нього виведено.

## Установка ножового полотна

Приготуйте 4 знятих гвинти (до внутрішньої кришки), 2 гвинти (до ножового полотна), кожух зубчатої передачі, внутрішню кришку та нове ножове полотно.

Поправте положення кривошипного механізму, як вказано на малюнку. При цьому нанесіть мастило, що додається до нового ножового полотна, по краях кривошипного механізму.

► **Рис.25:** 1. Кривошипний механізм

Сумістіть овальний отвір у верхньому ріжучому полотні з відповідним отвором у нижньому.

► **Рис.26:** 1. Еліпсоїдний отвір ножового полотна

Візьміть кришку від старого ріжучого полотна та встановіть його на нове для зручності під час маніпуляції з заміни полотна.

► **Рис.27**

Встановіть нове ножове полотно на інструмент, так щоб овальні отвори у ножовому полотні співпадали з кривошипним механізмом. Сумістіть отвори у ножовому полотні з гвинтовими отворами в інструменті та скріпіть їх двома гвинтами.

► **Рис.28:** 1. Еліпсоїдний отвір ножового полотна 2. Кривошипний механізм

Перевірте кривошипний механізм на предмет плавного обертання за допомогою викрутки.

► **Рис.29:** 1. Кривошипний механізм

Встановіть на інструменті кожух зубчатої передачі та внутрішню кришку. Міцно закріпіть гвинт.

Зніміть кришку ріжучого полотна, після чого увімкніть інструмент, щоб перевірити, що полотно рухається відповідним чином.

### ПРИМІТКА:

- Якщо ножове полотно рухається невідповідним чином, це говорить про неточне суміщення між полотном і кривошипним механізмом. Повторіть дії згідно з цією інструкцією спочатку.

## Зберігання

Отвір в нижній частині кришки ріжучого полотна пристосовано для того, щоб інструмент можна було повісити на стіні на цвяхах або шуруп.

► **Рис.30**

Встановіть кришку на ножове полотно, так щоб закрити його. Зберігайте інструмент у місці, недоступному для дітей.

Зберігайте інструмент у місці, що не зазнає впливу води та дощу.

Для того, щоб підтримувати БЕЗПЕКУ та НАДІЙНІСТЬ, ремонт, огляд та заміну вугільних щіток, будь-яке інше технічне обслуговування або регулювання мають виконувати уповноважені центри обслуговування "Макіта", де використовуються лише стандартні запчастини "Макіта".

## ДОДАТКОВЕ ПРИЛАДДЯ

### ⚠ОБЕРЕЖНО:

- Це оснащення або приладдя рекомендовано для використання з інструментами "Макіта", що описані в інструкції з експлуатації. Використання якогось іншого оснащення або приладдя може спричинити травмування. Оснащення або приладдя слід використовувати лише за призначенням.

У разі необхідності, отримати допомогу в більш детальному ознайомленні з оснащенням звертайтеся до місцевого Сервісного центру "Макіта".

- Кришка полотна
- З'єднувальний гачок
- Комплект ножового полотна
- Напосяння кріплення для кабелю
- Наплічне кріплення для кабелю

### ПРИМІТКА:

- Деякі елементи списку можуть входити до комплекту інструмента як стандартне приладдя. Вони можуть відрізнятися залежно від країни.








## SPECYFIKACJE

Model	UH4570	UH5570	UH6570
Długość belki nożowej	450 mm	550 mm	650 mm
Liczba oscylacji na minutę (min <sup>-1</sup> )	1 600	1 600	1 600
Długość całkowita	862 mm	970 mm	1 042 mm
Ciężar netto	3,7 - 3,9 kg	3,7 - 3,9 kg	3,7 - 3,9 kg
Klasa bezpieczeństwa	▣/III		

- W związku ze stale prowadzonym przez naszą firmę programem badawczo-rozwojowym niniejsze dane mogą ulec zmianom bez wcześniejszego powiadomienia.
- Dane techniczne mogą różnić się w zależności od kraju.
- Wysokość może być różna w zależności od osprzętu. W tabeli została przedstawiona najniższa i najwyższa konfiguracja zgodnie z procedurą EPTA 01/2014.

## Symbol

Poniżej pokazano symbole zastosowane na urządzeniu. Przed użyciem należy zapoznać się z ich znaczeniem.

	Przeczytać instrukcję obsługi.
	PODWÓJNA IZOLACJA
	Należy chronić przed deszczem.
	Jeśli kabel zostanie uszkodzony lub przecięty, jego wtyczkę należy natychmiast wyciągnąć z gniazda.
	Dotyczy tylko państw UE Nie wyrzucać urządzeń elektrycznych wraz z odpadami z gospodarstwa domowego! Zgodnie z dyrektywą europejską w sprawie zużytego sprzętu elektrycznego i elektronicznego oraz dostosowaniem jej do prawa krajowego, zużyte urządzenia elektryczne należy składować osobno i przekazywać do zakładu recyklingu działającego zgodnie z przepisami dotyczącymi ochrony środowiska.

## Przeznaczenie

Narzędzie to jest przeznaczone do przycinania żywoplotów.

## Zasilanie

Narzędzie wolno podłączać tylko do źródeł zasilania o napięciu zgodnym z napięciem podanym na tabliczce znamionowej. Można je zasiląć wyłącznie jednofazowym prądem przemiennym. Jest ono podwójnie izolowane, dlatego też można je zasiląć z gniazda bez uziemienia.

## Hałas

Typowy równoważny poziom dźwięku A określony w oparciu o EN60745-2-15:

Poziom ciśnienia akustycznego ( $L_{pA}$ ): 89,9 dB (A)

Poziom mocy akustycznej ( $L_{WA}$ ): 97,9 dB (A)

Niepewność (K): 1,5 dB (A)

**WSKAZÓWKA:** Deklarowana wartość emisji hałasu została zmierzona zgodnie ze standardową metodą testową i można ją wykorzystać do porównywania narzędzi.

**WSKAZÓWKA:** Deklarowaną wartość emisji hałasu można także wykorzystać we wstępnej ocenie narażenia.

**⚠️ OSTRZEŻENIE:** Nosić ochronniki słuchu.

**⚠️ OSTRZEŻENIE:** Poziom hałasu wytwarzanego podczas rzeczywistego użytkowania elektronarzędzia może się różnić od wartości deklarowanej w zależności od sposobu użytkowania narzędzia, a w szczególności od rodzaju obrabianego elementu.

**⚠️ OSTRZEŻENIE:** W oparciu o szacowane narażenie w rzeczywistych warunkach użytkowania należy określić środki bezpieczeństwa w celu zapewnienia ochrony operatora (uwzględniając wszystkie elementy cyklu działania, tj. czas, kiedy narzędzie jest wyłączone i kiedy pracuje na biegu jałowym, a także czas, kiedy jest włączone).

## Drgania

Całkowita wartość poziomu drgań (suma wektorów w 3 osiach) określona zgodnie z normą EN60745-2-15:

Tryb pracy: przycinanie żywoplotu

Emisja drgań ( $a_{h1}$ ): 6,7 m/s<sup>2</sup>

Niepewność (K): 1,5 m/s<sup>2</sup>

**WSKAZÓWKA:** Deklarowana wartość poziomu drgań została zmierzona zgodnie ze standardową metodą testową i można ją wykorzystać do porównywania narzędzi.

**WSKAZÓWKA:** Deklarowaną wartość poziomu drgań można także wykorzystać we wstępnej ocenie narażenia.

**⚠️ OSTRZEŻENIE:** Drgania wytwarzane podczas rzeczywistego użytkowania elektronarzędzia mogą się różnić od wartości deklarowanej w zależności od sposobu użytkowania narzędzia, a w szczególności od rodzaju obrabianego elementu.

**⚠️ OSTRZEŻENIE:** W oparciu o szacowane narażenie w rzeczywistych warunkach użytkowania należy określić środki bezpieczeństwa w celu zapewnienia ochrony operatora (uwzględniając wszystkie elementy cyklu działania, tj. czas, kiedy narzędzie jest wyłączone i kiedy pracuje na biegu jałowym, a także czas, kiedy jest włączone).

## Deklaracja zgodności WE

### Dotyczy tylko krajów europejskich

Deklaracja zgodności WE jest dołączona jako załącznik A do niniejszej instrukcji obsługi.

## Ogólne zasady bezpieczeństwa obsługi elektronarzędzi

**⚠️ OSTRZEŻENIE** Przeczytaj wszystkie ostrzeżenia i instrukcje. Nie przestrzeganie ich może prowadzić do porażeń prądem, pożarów i/lub poważnych obrażeń ciała.

**Wszystkie ostrzeżenia i instrukcje należy zachować do późniejszego wykorzystania.**

## OSTRZEŻENIA DOTYCZĄCE BEZPIECZNEJ EKSPLOATACJI SEKATORA DO ŻYWOPŁOTU

1. Nie wolno zbliżać dłoni oraz innych części ciała do noży (ostrzy). Ciężego materiału nie wolno usuwać, ani przytrzymywać, kiedy noże są w ruchu. Przed usunięciem zablokowanego materiału należy koniecznie sprawdzić, czy narzędzie jest wyłączone. Chwila nieuwagi podczas pracy z tym narzędziem może spowodować poważne zranienie.
2. Nożyce do żywopłotu należy przenosić trzymając za uchwyt, a noże powinny być nieruchome. Podczas transportu lub przechowywania nożyc do żywopłotu zawsze powinna być założona osłona. Prawidłowe obchodzenie się z tym narzędziem zmniejsza ryzyko urazów powodowanych ostrzami.
3. Ponieważ ostrze tnące może zetknąć się z ukrytymi przewodami elektrycznymi lub z własnym przewodem zasilającym, należy trzymać elektronarzędzie tylko za izolowane uchwyty. Kontakt ostrza z przewodem elektrycznym pod napięciem powoduje, że również odsłonięte elementy metalowe narzędzia znajdują się pod napięciem, grożąc porażeniem operatora prądem elektrycznym.
4. Należy uważać, aby kabel był zawsze oddalony od obszaru cięcia. Podczas pracy kabel może się kryć w roślinności i można go przypadkowo przeciąć.
5. Nożyc do żywopłotu nie wolno używać podczas deszczu, kiedy występuje rosa, itp. Silnik elektryczny tego narzędzia nie jest wodoodporny.
6. Osoba mająca praktyczne doświadczenia z nożycami do żywopłotu powinna poinstruować użytkownika, który jeszcze nie pracował z takim narzędziem.
7. Dzieciom i młodzieży poniżej 18 roku życia nie wolno obsługiwać nożyc do żywopłotu. Młode osoby powyżej 16 roku życia można wyłączyć z tego zastrzeżenia, jeżeli odbywają szkolenie pod nadzorem fachowca.
8. Używaj nożyc do żywopłotu tylko wtedy, gdy jesteś w doskonałym stanie fizycznym. W przypadku zmęczenia twoja koncentracja będzie obniżona. Zachowuj szczególną ostrożność pod koniec dnia roboczego. Wszelkie czynności powinny być wykonywane spokojnie i ostrożnie. Użytkownik odpowiada za wszelkie szkody wyrządzone osobom trzecim.
9. Osobom pod wpływem alkoholu, narkotyków lub przyjmującym leki nie wolno podejmować pracy.
10. Należy sprawdzić, czy napięcie i częstotliwość sieci zasilającej są zgodne z wartościami podanymi na tabliczce znamionowej narzędzia. Zalecamy stosowanie bezpieczników różnicowo-prądowych o prądzie różnicowym 30 mA lub mniejszym, lub podobnych, wywalanych prądem upływowym.
11. Rękawice robocze z grubej skóry należą do podstawowego wyposażenia przy pracy z nożycami i należy je nosić zawsze. Należy też nosić mocne buty z antypoślizgowymi podeszwami.
12. Przed rozpoczęciem pracy należy się upewnić, że nożyce są w dobrym i zapewniającym bezpieczeństwo stanie. Należy sprawdzić, czy zabezpieczenia są zamocowane prawidłowo. Przed rozpoczęciem pracy należy też sprawdzić, czy nie jest uszkodzony kabel i w razie potrzeby wymienić go. Nożyc do żywopłotu nie wolno używać, jeśli nie są zmontowane całkowicie.
13. Kabel należy utrzymywać z dala od miejsca cięcia. Kabel w czasie pracy musi być zawsze za tobą.
14. Jeśli kabel zostanie uszkodzony lub przecięty, jego wtyczkę należy natychmiast wyciągnąć z gniazda.
15. Przed rozpoczęciem pracy należy sprawdzić, czy grunt pod nogami jest pewny.
16. Narzędzie należy trzymać pewnie podczas pracy.
17. Nie należy bez potrzeby uruchamiać narzędzia bez obciążenia.
18. Kiedy noże zetkną się z elementami ogrodzenia lub innym twardym przedmiotem, należy natychmiast wyłączyć silnik i wyciągnąć z gniazda wtyczkę. Należy sprawdzić, czy nożyce nie zostały uszkodzone i w razie potrzeby naprawić je natychmiast.
19. Przed sprawdzaniem nożyc, usuwaniem uszkodzeń lub materiału zablokowanego w nożycach, należy je zawsze wyłączać i wyciągać wtyczkę kabla zasilającego z gniazda.
20. Przed przystąpieniem do jakichkolwiek prac konserwacyjnych, należy zawsze wyłączać i wyciągać wtyczkę kabla zasilającego z gniazda.

21. Przed przeniesieniem nożyc na inne miejsce, także podczas pracy, należy wyciągnąć wtyczkę przewodu zasilającego z gniazdka elektrycznego, a następnie założyć osłonę na ostrza. Nie wolno przenosić lub przewozić nożyc, gdy noże są w ruchu. Nigdy nie chwytaj ostrzy rękami.
22. Nożyce, a zwłaszcza ostrza należy wyczyścić po pracy, a także przed odłożeniem na przechowanie. Noże należy lekko naoliwić i nałożyć na nie osłonę. Osłonę, która została dostarczona z nożycami, można zawiesić na ścianie i jest to bezpieczny i praktyczny sposób przechowywania tego narzędzia.
23. Nożyce należy przechowywać w suchym pomieszczeniu, z założoną osłoną. Dzieciom nie wolno mieć dostępu do nożyc. Nożyc nie wolno przechowywać na dworze.
24. **Nie należy bez potrzeby uruchamiać narzędzia bez obciążenia.**
25. **Nigdy nie kierować ostrzy nożyc w swoją stronę ani w stronę innych osób.**
26. **Jeśli podczas pracy ostrza przestaną się poruszać z powodu utknięcia między nimi przedmiotów obcych, należy wyłączyć narzędzie, odłączyć wtyczkę zasilania sieciowego, a następnie usunąć przedmioty obce za pomocą odpowiednich narzędzi, takich jak szczypce.** Wyjmowanie przedmiotów obcych dłonią grozi odniesieniem obrażeń, ponieważ ostrza mogą poruszyć się w reakcji na usunięcie przedmiotu obcego.
27. **Unikać niebezpiecznych warunków pracy. Nie wolno używać narzędzia w otoczeniu wilgotnym, mokrym ani narażać go na działanie deszczu. Woda, która dostanie się do wnętrza narzędzia, zwiększa ryzyko porażenia prądem elektrycznym.**
28. **Przed uruchomieniem narzędzia należy sprawdzić, czy w żywopłocie lub krzewach nie ma elementów takich jak ogrodzenia z drutu lub niewidoczne przewody elektryczne.**

## ZACHOWAĆ INSTRUKCJE.

**⚠ OSTRZEŻENIE: NIE WOLNO** pozwolić, aby wygoda lub rutyna (nabyta w wyniku wielokrotnego używania narzędzia) zastąpiły ściśle przestrzeganie zasad bezpieczeństwa obsługi. **NIEWŁAŚCIWE UŻYTKOWANIE** narzędzia lub niestosowanie się do zasad bezpieczeństwa podanych w niniejszej instrukcji obsługi może prowadzić do poważnych obrażeń ciała.

## OPIS DZIAŁANIA

### ⚠ PRZESTROGA:

- Przed rozpoczęciem regulacji i sprawdzania działania elektronarzędzia, należy upewnić się, czy jest ono wyłączone i nie podłączone do sieci.

## Włączanie

- **Rys.1:** 1. Spust przełącznika B 2. Spust przełącznika A 3. Spust przełącznika C

Narzędzie to posiada z zabezpieczenie w postaci potrójnego systemu włączania. Aby je włączyć, należy wcisnąć dwa z trzech języków spustowych A, B i C. Zwolnienie jednego z tych dwu wcisniętych spustów wyłącza nożyce. Kolejność wciskania nie ma znaczenia; narzędzie uruchamia się, kiedy wcisnięte są dwa języki spustowe.

## Cięcie proste

- **Rys.2**

Aby przycinać żywopłot prosto, należy pociągnąć za języki spustowe A i B.

## Cięcie pionowe

- **Rys.3**

Należy ciąć ku górze, oburącz, ciągnąc za języki spustowe B i C.

## Cięcie dalszych miejsc

- **Rys.4**

Aby przycinać dalsze miejsca żywopłotu, należy oburącz pociągnąć za języki spustowe A i C.

## MONTAŻ

### ⚠ PRZESTROGA:

- Przed wykonywaniem jakichkolwiek czynności na elektronarzędziu należy upewnić się, czy jest ono wyłączone i nie podłączone do sieci.

## Dołączanie przedłużacza kabla zasilającego

### ⚠ PRZESTROGA:

- Należy się upewnić, że wtyczka kabla jest wyjęta z gniazda.

- **Rys.5:** 1. Zestaw zaczepów do mocowania kabli 2. Przedłużacz 3. Kabel zasilający narzędzia

Dołączając kabel przedłużający, należy go przymocować do kabla narzędzia zaczepem dostarczoną w zestawie. Zaczep należy przymocować 100 - 200 mm od złącza kabla narzędzia. W ten sposób unikniemy przypadkowym rozłączeniem kabli.

## Zaczepek kabla na pasek

### **⚠ PRZESTROGA:**

- Zaczepek ten należy mocować wyłącznie do kabla przedłużającego. Nie należy go mocować bliżej nożyc, przez zestaw zaczepek. Nie zastosowanie się do tej zasady może spowodować wypadek lub zranienie.
- Jeden z zaczepek należy silnie zamocować do kabla narzędzia, a drugi zaczepek do kabla przedłużającego. Praca z nożycami, kiedy zamocowany jest tylko jeden zaczepek może spowodować wypadek lub zranienie.

Stosowanie zaczepek na pasek od spodni zmniejsza ryzyko przypadkowego przecięcia luźnego kabla przedłużającego.

► **Rys.6:** 1. Hak 2. Narzędzie 3. Kabel zasilający narzędzia 4. Zestaw zaczepek do mocowania kabli 5. Przedłużacz 6. Uchwyt 7. Zaczepek kabla na pasek

Wciśnij lub wyciągnij kabel z otwór w elemencie mocowania.

► **Rys.7:** 1. Uchwyt 2. Kabel

### **⚠ PRZESTROGA:**

- Nie stosuj zbyt wielkiej siły rozchylając element mocujący. Duża siła może uszkodzić ten element.

## Zaczepek na pasek naramienny (wyposażenie opcjonalne)

### **⚠ PRZESTROGA:**

- Zaczepek ten należy mocować wyłącznie do kabla przedłużającego. Nie należy go mocować bliżej nożyc, przez zestaw zaczepek. Nie zastosowanie się do tej zasady może spowodować wypadek lub zranienie.
- Jeden z zaczepek należy silnie zamocować do kabla narzędzia, a drugi zaczepek do kabla przedłużającego. Praca z nożycami, kiedy zamocowany jest tylko jeden zaczepek może spowodować wypadek lub zranienie.

Stosowanie zaczepek na pasek naramienny zmniejsza ryzyko przypadkowego przecięcia luźnego kabla przedłużającego.

► **Rys.8:** 1. Uchwyt 2. Zaczepek kabla na pasek naramienny

Zaczepek na pasek naramienny należy silnie zamocować na ramieniu, a kabel przedłużający ułożyć w elemencie mocującym. Długość paska naramiennego można regulować.

### **WSKAZÓWKA:**

- Kabla zasilającego nie należy przekładać za pasek.
- Nie stosuj zbyt wielkiej siły rozchylając element mocujący. Duża siła może uszkodzić ten element.
- Bardziej pomagają używanie zaczepek na pasek naramienny oraz zaczepek na pasek od spodni.

## DZIAŁANIE

### **⚠ PRZESTROGA:**

- Podczas przycinania należy uważać na metalowe ogrodzenia lub inne twarde przedmioty. Mogą one spowodować pęknięcie ostrzy oraz poważne obrażenia.
- Podczas przycinania sięganie zbyt daleko, zwłaszcza gdy pracuje się na drabinie, może być bardzo niebezpieczne. Nie wolno podczas pracy stać na niepewnym podłożu.

**UWAGA:** Nie wolno próbować przycinania tym narzędziem gałęzi grubszych niż 10 mm. Przed użyciem tego narzędzia należy przyciąć gałęzie na długość o 10 cm mniejszą niż wysokość cięcia za pomocą sekatora do gałęzi.

► **Rys.9:** (1) Wysokość cięcia (2) 10 cm

### **⚠ PRZESTROGA:**

- Nie wolno też przycinać martwych gałęzi, ani innych twardych elementów. Nie przestrzeganie tego może doprowadzić do uszkodzenia narzędzia.

Należy trzymać narzędzie oburącz, ciągnąc za języki spustowe A i B.

► **Rys.10**

Stosując podstawową metodę pracy, należy pochylić ostrza w kierunku przycinania i przesuwając je spokojnie i powoli, z szybkością jednego metra w ciągu 3 - 4 sekund.

► **Rys.11:** 1. Kierunek przycinania 2. Kąt pochylenia noży 3. Przycinana powierzchnia żywoplotu

Aby przycinać równo górną powierzchnię żywoplotu, dobrze jest na wymaganej wysokości zawiesić sznurek i przycinać wzdłuż niego.

► **Rys.12**

Stosowanie deflektora (wyposażenie opcjonalne) podczas przycinania prostego zapewnia odrzucanie obciętych liści w sposób kontrolowany.

► **Rys.13**

Równe przycięcie żywoplotu osiągamy przycinając od dołu do góry.

► **Rys.14**

Żywoploty z bukszpanu i rododendronu (rózaneznika) należy przycinać od dołu ku górze - wyglądają wtedy najładniej.

► **Rys.15**

## Montaż i demontaż osłony deflektora (wyposażenie opcjonalne)

### **⚠ PRZESTROGA:**

- Przed przystąpieniem do zakładania lub zdejmowania tarczy zawsze upewnij się, że narzędzie jest wyłączone i odłączone od zasilania.

#### WSKAZÓWKA:

- Podczas zakładania lub zdejmowania deflektora należy zawsze nosić rękawice, aby nie dotykać ostrzy bezpośrednio. Nie przestrzeganie tej zasady może spowodować obrażenia.
- Przed zainstalowaniem pojemnika należy się zawsze upewnić, że została zdjęta osłona ostrza.
- Deflektor zbiera odcięte liście i ułatwia pozbywanie się ich. Można go zamontować z jednej lub z drugiej strony narzędzia.

► **Rys.16:** 1. Docisnąć 2. Deflektor liści 3. Nakrętka 4. Noże

Montując deflektor należy go docisnąć do belki nożowej, tak aby wpusty pasowały do nakrętek belki. Należy przy tym uważać, aby deflektor nie dotykał osłony końca belki nożowej.

► **Rys.17:** 1. Nakrętka 2. Osłona końca belki

Deflektor mocuje się umieszczając jego haczyki w rowkach belki nożowej.

► **Rys.18:** 1. Haczyki 2. Włóż haczyki do rowków 3. Rowki

Aby zdemontować deflektor, naciśnij haczyki po obu stronach i haczyki się odcepią.

► **Rys.19:** 1. Naciśnij zaczepy po obu stronach 2. Odczep haczyki

#### ⚠ PRZESTROGA:

- Osłonę ostrzy (wyposażenie standardowe) nie można zamontować, kiedy zamontowany jest deflektor. Przed przenoszeniem lub przechowywaniem tego narzędzia, należy wymontować deflektor, a następnie założyć osłonę belki nożowej.

#### WSKAZÓWKA:

- Przed przystąpieniem do pracy z użyciem deflektora, należy sprawdzić czy jest on zamontowany prawidłowo.
- Deflektora nie wolno demontować z użyciem dużej siły, kiedy haczyki mocujące znajdują się w rowkach. Może to go uszkodzić.

## KONSERWACJA

#### ⚠ PRZESTROGA:

- Przed wykonywaniem kontroli i konserwacji należy się zawsze upewnić, czy elektronarzędzie jest wyłączone i nie podłączone do sieci.

## Czyszczenie narzędzia

Narzędzie to należy czyścić usuwając kurz szmatką suchą lub namoczoną w roztworze mydła.

#### ⚠ PRZESTROGA:

- Nie wolno używać benzyny, benzenu, rozpuszczalnika, alkoholu itp. Substancje takie mogą spowodować odbarwienia, odkształcenia lub pęknięcia.

## Konserwacja noży

Noże należy zwilżać olejem maszynowym przed rozpoczęciem pracy oraz co godzinę podczas pracy.

Po pracy należy drucianą szczotką usunąć kurz po obu stronach belki nożowej, wytrzeć szmatką, a następnie zwilżyć olejem o niskiej lepkości, np. maszynowym.

#### ⚠ PRZESTROGA:

- Noży nie wolno myć wodą. Mycie takie powoduje korodowanie i uszkodzenie narzędzia.

**UWAGA:** Jeśli inne części niż ostrza nożyc, takie jak mimośród, ulegną zużyciu, należy zwrócić się do autoryzowanego centrum serwisowego firmy Makita z prośbą o wymianę części lub dokonanie naprawy.

## Demontaż lub montaż belki nożowej

#### ⚠ PRZESTROGA:

- Przed przystąpieniem do montowania lub demontowania belki nożowej należy się upewnić, że narzędzie jest wyłączone i odłączone od zasilania.
- Podczas zakładania lub zdejmowania belki nożowej należy zawsze nosić rękawice, aby nie dotykać ostrzy bezpośrednio. Nie przestrzeganie tej zasady może spowodować obrażenia.

#### WSKAZÓWKA:

- Nie wolno wycierać smaru z trybów i mimośrodu. Nie przestrzeganie tego może doprowadzić do uszkodzenia narzędzia.
- Dokładny opis montowania i demontowania belki nożowej znajduje się na odwrocie opakowania belki nożowej.

## Demontowanie belki nożowej

Odwróć narzędzie spodem do góry i poluzuj cztery śruby.

► **Rys.20:** 1. Wkręty 2. Osłona ostrza

#### WSKAZÓWKA:

- Uważaj, aby się na pobrudzić, gdyż w mechanizmie napędu noży znajduje się smar.

Usuń osłonę dolną.

► **Rys.21:** 1. Osłona spodnia 2. Osłona ostrza

Zdejmij osłonę mechanizmu.

► **Rys.22:** 1. Pokrywa obudowy silnika

Ustaw śrubokrętem mimośród pod kątem, jak na rysunku.

► **Rys.23:** 1. Mimośród

Wykręć z belki nożowej dwie śruby i wyjmij ją.

► **Rys.24:** 1. Wkręty 2. Noże

#### ⚠ PRZESTROGA:

- Jeżeli przez pomyłkę przekładnia została wyjęta, należy ją ponownie umieścić w oryginalnym położeniu w taki sposób, jak była zainstalowana.

## Montowanie belki nożowej.

Przygotuj 4 usunięte śruby osłony dolnej, 2 belki nożowej, osłonę mechanizmu, osłonę dolną oraz nową belkę nożową.

Wyreguluj położenie mimośrod - jak na rysunku. Teraz nałóż na mimośród nieco smaru dostarczonego z nową belką nożową.

► **Rys.25:** 1. Mimośród

Dopasuj owalny otwór w górnych nożach do takiego samego w dolnych nożach.

► **Rys.26:** 1. Owalny otwór w belce nożowej

Założ osłonę starej belki nożowej na nową, co ułatwi manipulowanie podczas wymiany belek.

► **Rys.27**

Nową belkę należy ułożyć na narzędziu w ten sposób, aby owalne otwory w belce znalazły się na mimośrodku. Otwory te należy dopasować do otworów na śruby w narzędziu, a następnie dokręcić te śruby.

► **Rys.28:** 1. Owalny otwór w belce nożowej  
2. Mimośród

Teraz sprawdź, czy mimośród obraca się płynnie, pokręcając go śrubokrętem.

► **Rys.29:** 1. Mimośród

Zamontuj osłonę mechanizmu oraz osłonę dolną. Silnie dokręć śruby.

Zdejmij osłonę belki nożowej, a następnie włącz narzędzie, aby sprawdzić, czy nożyce pracują prawidłowo.

### WSKAZÓWKA:

- Jeśli noże nie pracują prawidłowo, jest to na skutek niedopasowania noży i mimośrod. Należy wtedy przeprowadzić montaż od początku.

## Przechowywanie

Otwór w osłonie noży służy do zawieszania narzędzia na ścianie.

► **Rys.30**

Osłoną należy założyć na belkę nożową, aby ostrza były schowane całkowicie. Nożyce należy koniecznie strzec przed dziećmi.

Miejsce przechowywania nożyc powinno być suche.

Dla zachowania BEZPIECZEŃSTWA i

NIEZAWODNOŚCI wyrobu, naprawy, wymiana szczo-

tek węglowych oraz inne prace konserwacyjne i regu-

lacyjne powinny być wykonywane przez Autoryzowane

Centra Serwisowe Makita, wyłącznie przy użyciu części zamiennych Makita.

## AKCESORIA OPCJONALNE

### PRZESTROGA:

- Zaleca się stosowanie wymienionych akcesoriów i dodatków razem z elektronarzędziem Makita opisanym w niniejszej instrukcji. Stosowanie jakichkolwiek innych akcesoriów i dodatków może stanowić ryzyko uszkodzenia ciała. Stosować akcesoria i dodatki w celach wyłącznie zgodnych z ich przeznaczeniem.

W razie potrzeby, wszelkiej pomocy i szczegółowych informacji na temat niniejszych akcesoriów udziela Państwu lokalne Centra Serwisowe Makita.

- Osłona belki nożowej
- Zestaw zaczepek do mocowania kabli
- Noże
- Zaczepek kabla na pasek
- Zaczepek kabla na pasek naramienny

### WSKAZÓWKA:

- Niektóre pozycje znajdujące się na liście mogą być dołączone do pakietu narzędziowego jako akcesoria standardowe. Mogą to być różne pozycje, w zależności od kraju.

## SPECIFICAȚII

Model	UH4570	UH5570	UH6570
Lungime lamă	450 mm	550 mm	650 mm
Curse pe minut (min <sup>-1</sup> )	1.600	1.600	1.600
Lungime totală	862 mm	970 mm	1.042 mm
Greutate netă	3,7 - 3,9 kg	3,7 - 3,9 kg	3,7 - 3,9 kg
Clasa de siguranță	□/III		

- Datorită programului nostru continuu de cercetare și dezvoltare, specificațiile pot fi modificate fără o notificare prealabilă.
- Specificațiile pot varia în funcție de țară.
- Greutatea poate diferi în funcție de accesoriu(ii). În tabel se prezintă combinația cea mai ușoară și cea mai grea, conform Procedurii EPTA 01/2014.

## Simbol

Mai jos sunt prezentate simbolurile de pe echipament. Asigurați-vă că înțelegeți sensul acestora înainte de utilizare.

	Citiți manualul de utilizare.
	IZOLAȚIE DUBLĂ
	Nu expuneți la ploaie.
	Scoateți fișa din priză imediat, în cazul în care cablul este deteriorat sau tăiat.
	Doar pentru țările din cadrul UE Nu aruncați aparatele electrice în gunoii menajeri În conformitate cu Directiva europeană privind deșeurile de echipamente electrice și electronice și implementarea sa conform legislației naționale, echipamentele electrice care au ajuns la sfârșitul duratei de viață trebuie colectate separat și reciclate corespunzător în vederea protecției mediului.

## Destinația

Mașina este destinată tunderii gardurilor vii.

## Sursă de alimentare

Unealta trebuie conectată doar la o sursă de alimentare cu aceeași tensiune precum cea indicată pe plăcuța indicatoare a caracteristicilor tehnice și poate fi operată doar de la o sursă de curent alternativ cu o singură fază. Acestea au o izolație dublă și, drept urmare, pot fi utilizate de la prize fără împământare.

## Zgomot

Nivelul de zgomot normal ponderat A determinat în conformitate cu EN60745-2-15:

Nivel de presiune acustică ( $L_{pA}$ ): 89,9 dB (A)

Nivel de putere acustică ( $L_{WA}$ ): 97,9 dB (A)

Marjă de eroare (K): 1,5 dB (A)

**NOTĂ:** Valoarea (valorile) totală(e) a (ale) emisiilor de zgomot declarate a(u) fost măsurată(e) în conformitate cu o metodă de test standard și poate (pot) fi utilizată(e) pentru compararea unei uneelte cu alta.

**NOTĂ:** Valoarea (valorile) totală(e) a (ale) emisiilor de zgomot declarate poate (pot) fi, de asemenea, utilizată(e) într-o evaluare preliminară a expunerii.

**⚠️AVERTIZARE:** Purtați echipament de protecție pentru urechi.

**⚠️AVERTIZARE:** Emisiile de zgomot în timpul utilizării efective a unelei electrice poate diferi de valoarea (valorile) nivelului declarat, în funcție de modul în care unealta este utilizată, în special ce fel de piesă este prelucrată.

**⚠️AVERTIZARE:** Asigurați-vă că identificați măsurile de siguranță pentru a proteja operatorul, acestea fiind bazate pe o estimare a expunerii în condiții reale de utilizare (luând în considerare toate părțile ciclului de operare, precum timpii în care unealta a fost oprită, sau a funcționat în gol, pe lângă timpul de declanșare).

## Vibrații

Valoarea totală a vibrațiilor (suma vectorilor tri-axiali) determinată conform EN60745-2-15:

Mod de funcționare: tundere garduri vii

Emisie de vibrații ( $a_h$ ): 6,7 m/s<sup>2</sup>

Marjă de eroare (K): 1,5 m/s<sup>2</sup>

**NOTĂ:** Valoarea (valorile) totală(e) a (ale) nivelului de vibrații declarat a (au) fost măsurată(e) în conformitate cu o metodă de test standard și poate (pot) fi utilizată(e) pentru compararea unei uneelte cu alta.

**NOTĂ:** Valoarea (valorile) totală(e) a (ale) nivelului de vibrații declarat poate (pot) fi, de asemenea, utilizată(e) într-o evaluare preliminară a expunerii.

**⚠️AVERTIZARE:** Nivelul de vibrații în timpul utilizării efective a unelei electrice poate diferi de valoarea (valorile) nivelului declarat, în funcție de modul în care unealta este utilizată, în special ce fel de piesă este prelucrată.

**⚠️AVERTIZARE:** Asigurați-vă că identificați măsurile de siguranță pentru a proteja operatorul, acestea fiind bazate pe o estimare a expunerii în condiții reale de utilizare (luând în considerare toate părțile ciclului de operare, precum timpii în care unealta a fost oprită, sau a funcționat în gol, pe lângă timpul de declanșare).

## Declarație de conformitate CE

### Numai pentru țările europene

Declarația de conformitate CE este inclusă ca Anexa A în acest manual de instrucțiuni.

## **Avertismente generale de siguranță pentru unele electrice**

**⚠️ AVERTIZARE** Citiți toate avertizările de siguranță și toate instrucțiunile. Nerespectarea acestor avertizări și instrucțiuni poate avea ca rezultat electrocutarea, incendiul și/sau rănirea gravă.

**Păstrați toate avertismentele și instrucțiunile pentru consultări ulterioare.**

## **AVERTISMENTE PRIVIND SIGURANȚA PENTRU MAȘINA DE TUNS GARDUL VIU**

1. **Țineți-vă toate părțile corpului departe de lama tăietoare.** Când lamele sunt în mișcare, nu îndepărtați materialul tăiat și nici nu țineți materialul care va fi tăiat. Asigurați-vă că întrerupătorul este în poziția oprit atunci când curățați materialul blocat. Un moment de neatenție în timpul utilizării mașinii de tuns gardul viu poate avea ca rezultat rănirea gravă.
2. **Transportați mașina de tuns gardul viu de mâner cu lama tăietoare oprită.** Când transportați sau depozitați mașina de tuns gardul viu, montați întotdeauna apăratărea dispozitivului de tăiere. Manipularea corectă a mașinii de tuns gardul viu va reduce posibilitatea rănirii persoanei de către lamele tăietoare.
3. **Țineți mașina electrică doar de suprafețele de prindere izolate, deoarece lama tăietoare poate intra în contact cu fire ascunse.** Lamele tăietoare care intră în contact cu un fir sub tensiune vor pune sub tensiune și componentele metalice expuse ale mașinii electrice, existând pericolul ca operatorul să se electrocuteze.
4. **Țineți cablul departe de zona de tăiere.** În timpul utilizării, cablul poate fi ascuns în tufe și poate fi tăiat accidental de lamă.
5. Nu utilizați mașina de tuns gardul viu în ploaie, condiții de umezeală sau de umezeală foarte ridicată. Motorul electric nu este etanș la apă.
6. Cei care utilizează pentru prima dată mașina de tuns gardul viu trebuie să lucreze împreună cu un utilizator cu experiență care să le arate cum să folosească mașina de tuns gardul viu.
7. Mașina de tuns gardul viu nu trebuie folosită de copii sau adolescenți cu vârstă mai mică de 18 ani. Adolescenții cu vârstă mai mare de 16 ani pot fi excepțiați de la această restricție în cazul în care beneficiază de instructaj sub supravegherea unui expert.
8. Utilizați mașina de tuns gardul viu numai dacă vă aflați într-o stare fizică bună. Dacă sunteți obosit, atenția vă va fi redusă. Fiți atent în special la finalul zilei de muncă. Executați fiecare lucrare cu calm și cu atenție. Utilizatorul este responsabil pentru toate distrugerile provocate unor terțe părți.
9. Nu utilizați niciodată mașina de tuns sub influența alcoolului, drogurilor sau medicamentelor.
10. Verificați pentru a vă asigura că tensiunea și frecvența sursei de alimentare corespund cu specificațiile date pe plăcuța de identificare. Vă recomandăm utilizarea unui întrerupător de circuit acționat de curentul rezidual (întrerupător de circuit de defecare a împământării) cu un curent de declanșare de 30 mA sau mai mic, sau o protecție la scurgerile de curent prin împământare.
11. Mănușile de lucru din piele rezistentă sunt componente ale echipamentului de bază al mașinii de tuns gardul viu și trebuie să fie purtate întotdeauna când lucrați cu aceasta. De asemenea, purtați pantofi rezistenți și cu tălpi antiderapante.
12. Înainte de a începe lucrul, verificați pentru a vă asigura că mașina de tuns este în stare bună și sigură de funcționare. Asigurați-vă că apărătorile sunt montate corect. Înainte de a începe lucrul, verificați cablul și înlocuiți-l dacă este necesar. Mașina de tuns gardul viu nu trebuie utilizată dacă nu este asamblată complet.
13. Țineți cablul departe de zona de tăiere. Lucrați întotdeauna astfel încât cablul prelungitor să fie în urma dumneavoastră.
14. În cazul în care cablul este deteriorat sau tăiat, scoateți imediat ștecherul din priză.
15. Înaintea utilizării, asigurați-vă că aveți o bază sigură de sprijinire a picioarelor.
16. Țineți ferm mașina atunci când o utilizați.
17. Nu acționați mașina în gol în mod inutil.
18. Opriti imediat motorul și scoateți ștecherul din priză dacă dispozitivul de tăiere vine în contact cu un gard sau cu un alt obiect tare. Verificați dispozitivul de tăiere și, dacă este deteriorat, reparați-l imediat.
19. Înainte de a verifica dispozitivul de tăiere, de a remedia defecțiunile sau de a scoate materialul prins în dispozitivul de tăiere, opriti întotdeauna mașina de tuns și scoateți ștecherul din priză.
20. Înaintea efectuării oricărei activități de întreținere, opriti mașina de tuns și deconectați și asigurați ștecherul.
21. La mutarea mașinii de tuns la o altă locație, inclusiv în timpul lucrului, scoateți întotdeauna ștecherul din priză și puneți apăratărea pe lamele de tăiere. Nu cărați sau transportați niciodată mașina de tuns cu dispozitivul de tăiere în funcțiune. Nu apucați niciodată dispozitivul de tăiere cu mâinile.
22. După utilizare și înainte de a o depozita pentru o perioadă lungă de timp, curățați mașina de tuns gardul viu și în special dispozitivul de tăiere. Ungeți puțin cu ulei dispozitivul de tăiere și puneți apăratărea. Apărătoarea furnizată cu unitatea poate fi agățată pe perete, oferind un mod practic și sigur de depozitare a mașinii de tuns gardul viu.
23. Depozitați mașina de tuns gardul viu cu apăratărea pusă, într-o cameră uscată. Nu o lăsați la îndemâna copiilor. Nu depozitați niciodată mașina în exterior.
24. **Nu acționați mașina în gol în mod inutil.**
25. **Nu îndreptați niciodată lamele de foarfecă spre dumneavoastră sau spre alte persoane.**
26. **Dacă lamele se opresc din cauza blocării unor obiecte străine între acestea în timpul funcționării, opriti mașina și deconectați fișa de alimentare electrică, iar apoi îndepărtați obiectele străine cu ajutorul unor unelte precum cleștele.** Îndepărtarea manuală a obiectelor străine poate cauza accidente deoarece, ca reacție la îndepărtarea obiectelor străine, lamele s-ar putea mișca.
27. **Evitați mediile periculoase. Nu utilizați mașina în locații cu umezeală și nu o expuneți la ploaie. Dacă intră apă în mașină, riscul electrocutării este mai mare.**



28. Verificați dacă există obiecte străine în gardurile vii și în tufșuri, cum ar fi garduri de sârmă sau fire ascunse, înainte de a utiliza mașina.

## PĂSTRAȚI ACESTE INSTRUCȚIUNI.

**⚠️ AVERTIZARE:** NU permiteți comodității și familiarizării cu produsul (obținute prin utilizare repetată) să înlocuiască respectarea strictă a normelor de securitate pentru acest produs. FOLOSIREA INCORECTĂ sau nerespectarea normelor de securitate din acest manual de instrucțiuni poate provoca vătămări corporale grave.

## DESCRIERE FUNCȚIONALĂ

### ⚠️ ATENȚIE:

- Asigurați-vă că ați oprit mașina și că ați debransat-o de la rețea înainte de a o regla sau de a verifica starea sa de funcționare.

### Aționarea întrerupătorului

- Fig.1: 1. Declanșator întrerupător B 2. Declanșator întrerupător A 3. Declanșator întrerupător C

Pentru siguranța dumneavoastră, mașina este echipată cu un sistem de comutare triplă. Pentru a porni mașina, apăsați două din cele trei declanșatoare A, B și C. Pentru a opri mașina, eliberați unul din cele două declanșatoare apăsate. Secvența de comutare nu este importantă pentru că mașina pornește numai când ambele întrerupătoare sunt activate.

### Tăiere dreaptă

- Fig.2

Pentru a tăia drept gardul viu, trageți declanșatoarele A și B.

### Tăiere verticală

- Fig.3

Tăiați în sus trăgând cu ambele mâini declanșatoarele de întrerupere B și C și mutând mașina în fața corpului.

### Tăiere în zonele îndepărtate

- Fig.4

Pentru a tăia gardul viu din zonele îndepărtate, trageți cu ambele mâini declanșatoarele de întrerupere A și C.

## MONTARE

### ⚠️ ATENȚIE:

- Asigurați-vă că ați oprit mașina și că ați deconectat-o de la rețea înainte de a efectua vreo intervenție asupra mașinii.

### Cuplarea cablului prelungitor

### ⚠️ ATENȚIE:

- Asigurați-vă că, prelungitorul de cablu este scos din priză.

- Fig.5: 1. Ansamblu cârlig 2. Prelungitor 3. Cablu mașină

Când cuplați cablul prelungitor, fixați-l de cablul mașinii cu ansamblul cârlig. Montați cârligul la circa 100 – 200 mm de la conectorul cablului prelungitor. În acest mod va fi prevenită deconectarea accidentală.

### Cârlig de brâu pentru cablu

### ⚠️ ATENȚIE:

- Nu prindeți suportul cârligului de brâu pentru cablu decât de cablul prelungitor. Nu-l prindeți într-o poziție aflată mai aproape de mașină, în spatele ansamblului cârlig. În caz contrar se pot produce accidente sau răni.
- Prindeți ferm un cârlig din ansamblul cârlig la cablul mașinii, iar celălalt la cablul prelungitor. Utilizarea unei mașini având atașat doar un singur cârlig poate produce accidente sau răni.

Utilizarea cârligului de brâu pentru cablu ajută la minimizarea riscului de tăiere neașteptată a cablului prelungitor, cauzată de slăbirea acestuia.

- Fig.6: 1. Agățătoare 2. Mașină 3. Cablu mașină 4. Ansamblu cârlig 5. Prelungitor 6. Suport 7. Cârlig de brâu pentru cablu

Împingeți sau trageți cordonul prin deschiderea suportului.

- Fig.7: 1. Suport 2. Cablu

### ⚠️ ATENȚIE:

- Nu forțați deschiderea suportului. În caz contrar se poate produce îndoirea și deteriorarea acestuia.

### Cârlig de braț pentru cablu (accesoriu)

### ⚠️ ATENȚIE:

- Nu prindeți suportul cârligului de braț pentru cablu decât de cablul prelungitor. Nu-l prindeți într-o poziție aflată mai aproape de mașină, în spatele cârligelor ansamblului cârlig. În caz contrar se pot produce accidente sau răni.
- Prindeți ferm un cârlig din ansamblul cârlig la cablul mașinii, iar celălalt la cablul prelungitor. Utilizarea unei mașini având atașat doar un singur cârlig poate produce accidente sau răni.

Utilizarea cârligului de braț pentru cablu ajută la minimizarea riscului de tăiere neașteptată a cablului prelungitor, cauzată de slăbirea acestuia.

► **Fig.8:** 1. Suport 2. Cârlig de braț pentru cablu

Atașați ferm cârligul de braț în jurul brațului și treceți cablul prelungitor prin suport. Lungimea curelei cârligului de braț este reglabilă.

#### NOTĂ:

- Nu treceți cablul prelungitor prin bandă.
- Nu forțați deschiderea suportului. În caz contrar se poate produce îndoirea și deteriorarea acestuia.
- Utilizarea cârligului de braț împreună cu cârligul de brâu este mult mai utilă.

## FUNCȚIONARE

#### ⚠ATENȚIE:

- În timpul tunderii, aveți grijă să nu atingeți accidental un gard metalic sau alte obiecte tari. Lama se va sparge și poate produce răniri grave.
- Întinderea cu o mașină de tuns gardul viu, în special de pe o scară, este extrem de periculoasă. Nu lucrați de pe nimic instabil sau lipsit de fermitate.

**NOTĂ:** Nu încercați să tăiați ramuri mai groase de 10 mm cu unealta. Tăiați crengile la o înălțime cu 10 cm mai mică decât înălțimea de tăiere utilizând un cuțit de crengi, înainte de a utiliza această unealtă.

► **Fig.9:** (1) Înălțime de tăiere (2) 10 cm

#### ⚠ATENȚIE:

- Nu tăiați copaci uscați sau alte obiecte similare dure. În caz contrar, mașina poate fi deteriorată.

Ținând mașina cu ambele mâini, trageți declanșatoarele de întrerupere A și B și mutați-o în fața corpului.

► **Fig.10**

Ca o operație de bază, înclinați lamele în față spre direcția de tundere și deplasați-le calm și lent la o viteză nominală de 3 - 4 secunde pe metru.

► **Fig.11:** 1. Direcție de tundere 2. Înclinați lamele 3. Suprafața gardului viu care va fi tunsă

Pentru a tunde uniform partea superioară a unui gard viu, vă va ajuta legarea unei sfori la înălțimea dorită a gardului viu, și tunderea de-a lungul acesteia, utilizând-o ca linie de referință.

► **Fig.12**

Atașând recipientul de resturi (accesoriu) pe mașină atunci când tundeți gardul viu drept puteți evita aruncarea frunzelor tăiate.

► **Fig.13**

Pentru a tunde uniform o față a gardului viu, vă va ajuta să tundeți de jos în sus.

► **Fig.14**

Tundeți merișorul sau rododendronul de la bază spre partea superioară pentru un aspect plăcut și pentru un lucru bine făcut.

► **Fig.15**

## Montarea sau demontarea recipientului de resturi (accesoriu)

#### ⚠ATENȚIE:

- Asigurați-vă întotdeauna că mașina este oprită și deconectată înainte de a monta sau demonta recipientul de resturi.

#### NOTĂ:

- Atunci când înlocuiți recipientul de resturi, purtați întotdeauna mănuși astfel încât mâinile și fața să nu intre în contact direct cu lama. În caz contrar se poate produce rănirea.
- Înainte de a monta recipientul de resturi, asigurați-vă întotdeauna că scoateți apărătoarea lamei.
- Recipientul de resturi primește frunzele tunse și ușurează colectarea frunzelor proiectate. Acesta poate fi instalat pe oricare latură a mașinii.

► **Fig.16:** 1. Apăsați 2. Recipient de resturi 3. Piuliță 4. Lamă de forfecare

Apăsați pe recipientul de resturi pe lamele de forfecare astfel încât decupajele sale să se suprapună cu piulițele de pe acestea. În acest timp, asigurați-vă că recipientul de resturi nu atinge prinătorul de ramuri la partea superioară a lamelor de forfecare.

► **Fig.17:** 1. Piuliță 2. Prinător de ramuri

Totodată, recipientul de resturi trebuie instalat astfel încât cârligele sale să intre în canelurile unității lamelor de forfecare.

► **Fig.18:** 1. Cârlige 2. Introducerea cârligelor în canelură 3. Caneluri

Pentru a scoate recipientul de resturi, apăsați maneta sa pe ambele părți astfel încât cârligele să se deblocheze.

► **Fig.19:** 1. Apăsați manetele de pe ambele părți 2. Deblocarea cârligelor

#### ⚠ATENȚIE:

- Dacă recipientul de resturi este montat, apărătoarea lamei (dotare standard) nu poate fi montată pe mașină. Înaintea transportului sau depozitării, demontați recipientul de resturi și apoi montați apărătoarea lamei, pentru a evita expunerea acesteia.

#### NOTĂ:

- Înaintea utilizării, verificați dacă recipientul de resturi este fixat corespunzător.
- Nu încercați niciodată să demontați recipientul de resturi, cu cârligele blocate în canelurile ansamblului lamei, prin intermediul unei forțe excesive. Utilizarea forței excesive poate deteriora recipientul.

# ÎNTREȚINERE

## ⚠️ ATENȚIE:

- Asigurați-vă că ați oprit mașina și că ați debransat-o de la rețea înainte de a efectua operațiuni de verificare sau întreținere.

## Curățarea mașinii

Curățați mașina, ștergând praful cu o lavetă uscată sau înmuiată în săpun.

## ⚠️ ATENȚIE:

- Nu utilizați niciodată gazolină, benzină, diluant, alcool sau alte substanțe asemănătoare. În caz contrar, pot rezulta decolorări, deformări sau fisuri.

## Întreținerea lamei

Ungeți lama înainte de utilizare și o dată pe oră în timpul utilizării, cu ulei de mașină sau un alt ulei similar. După utilizare, îndepărtați praful de pe ambele fețe ale lamei cu o perie de sârmă, ștergeți cu o lavetă și apoi aplicați suficient ulei cu vâscozitate scăzută, cum a fi uleiul de mașină, etc. și uleiul de lubrifiere de tip spray.

## ⚠️ ATENȚIE:

- Nu spălați lamele în apă. În caz contrar, mașina poate fi deteriorată sau poate rugini.

**NOTĂ:** Dacă alte piese, cu excepția lamelor de foarfecă, cum ar fi pârghia, se uzează, solicitați-centrelor de service autorizate Makita înlocuirea pieselor sau efectuarea de reparații.

## Demontarea sau montarea lamei de foarfecare

## ⚠️ ATENȚIE:

- Înainte de a demonta sau monta lama de foarfecare, asigurați-vă întotdeauna că mașina este oprită și scoasă din priză.
- Atunci când înlocuiți lama de foarfecare, purtați întotdeauna mănuși fără a demonta apărătoarea lamei astfel încât mâinile și fața să nu intre în contact direct cu lama. În caz contrar se poate produce rănire.

## NOTĂ:

- Nu ștergeți vaselina de pe angrenaj și pârghia cotită. În caz contrar, mașina poate fi deteriorată.
- Pentru metode speciale de demontare și montare a lamelor de foarfecare consultați versoul pachetului acestora.

## Demontarea lamelor de foarfecare

Întoarceți mașina și slăbiți patru șuruburi.

► **Fig.20:** 1. Șuruburi 2. Apărătoarea pânzei

## NOTĂ:

- Aveți grijă să nu vă murdăriți pe mâini, deoarece în zona de acțiune a lamei de foarfecare este aplicată vaselină.

Scoateți capacul inferior.

► **Fig.21:** 1. Capac inferior 2. Apărătoarea pânzei

Scoateți capacul carcasei angrenajului.

► **Fig.22:** 1. Capac carcasa angrenaj

Fixați pârghia cotită la unghiul indicat în figură cu o șurubelniță cu cap crestat.

► **Fig.23:** 1. Pârghie cotită

Scoateți cele două șuruburi ale lamelor de foarfecare și unitatea lamei de foarfecare va fi trasă în afară.

► **Fig.24:** 1. Șuruburi 2. Lamă de foarfecare

## ⚠️ ATENȚIE:

- Readuceți angrenajul în poziția inițială, în care ar fi fost instalat dacă ar fi fost scos din greșeală.

## Montarea lamei de foarfecare

Pregătiți cele 4 șuruburi scoase (pentru capacul inferior), 2 șuruburi (pentru lama de foarfecare), capacul carcasei angrenajului, capacul inferior și lamele noi de foarfecare.

Reglați poziția pârghiei cotite ca în figură. În acest moment aplicați vaselina furnizată cu noile lame de foarfecare la marginea pârghiei cotite.

► **Fig.25:** 1. Pârghie cotită

Suprapuneți gaura ovală din lama superioară cu cea dintr-o lamă inferioară.

► **Fig.26:** 1. Elipsă lamă de foarfecare

Scoateți apărătoarea lamei de la lamele de foarfecare vechi și montați-o pe cele noi pentru o manipulare mai ușoară la înlocuirea lamelor.

► **Fig.27**

Așezați lamele de foarfecare noi pe mașină astfel încât găurile ovale din lamele de foarfecare să se potrivească pe pârghia cotită. Suprapuneți găurile din lamele de foarfecare cu găurile pentru șurub din mașină și apoi fixați-le cu două șuruburi.

► **Fig.28:** 1. Elipsă lamă de foarfecare 2. Pârghie cotită

Verificați rotirea ușoară a pârghiei cotite cu o șurubelniță cu cap crestat.

► **Fig.29:** 1. Pârghie cotită

Montați carcasa angrenajului și capacul inferior pe mașină. Strângeți ferm șuruburile.

Demontați apărătoarea lamei și apoi porniți mașina pentru a verifica dacă se mișcă adecvat.

## NOTĂ:

- Când lamele de foarfecare nu funcționează corespunzător, există o nepotrivire între lame și pârghia cotită. Reluați de la început.

## Depozitarea

Gaura pentru cârlig din partea inferioară a apărătorii lamei este convenabilă pentru agățarea mașinii de un cui sau șurub de pe perete.

### ► Fig.30

Puneți apărătoarea pe lamele de forfecare astfel încât lamele să nu fie expuse. Depozitați mașina departe de raza de acțiune a copiilor.

Depozitați mașina într-un loc care nu este expus la apă și ploaie.

Pentru a menține SIGURANȚA și FIABILITATEA mașinii, reparațiile, schimbarea și verificarea periilor de carbon, precum și orice alte operațiuni de întreținere sau reglare trebuie să fie efectuate numai la Centrele de service autorizat Makita, folosindu-se piese de schimb Makita.

## ACCESORII OPȚIONALE

### ⚠ ATENȚIE:

- Folosiți accesoriile sau piesele auxiliare recomandate pentru mașina dumneavoastră în acest manual. Utilizarea oricăror alte accesorii sau piese auxiliare poate cauza vătămări. Folosiți accesoriile pentru operațiunea pentru care au fost concepute.

Dacă aveți nevoie de asistență sau de mai multe detalii referitoare la aceste accesorii, adresați-vă centrului local de service Makita.

- Apărătoare lamă
- Ansamblu cârlig
- Ansamblu lamă de forfecare
- Cârlig de brâu pentru cablu
- Cârlig de braț pentru cablu

### NOTĂ:

- Unele articole din listă pot fi incluse ca accesorii standard în ambalajul de scule. Acestea pot diferi în funcție de țară.

# TECHNISCHE DATEN

Modell	UH4570	UH5570	UH6570
Schneidblattlänge	450 mm	550 mm	650 mm
Schläge pro Minute (min <sup>-1</sup> )	1.600	1.600	1.600
Gesamtlänge	862 mm	970 mm	1.042 mm
Netto-Gewicht	3,7 - 3,9 kg	3,7 - 3,9 kg	3,7 - 3,9 kg
Sicherheitsklasse	□/II		

- Wir behalten uns vor, Änderungen der technischen Daten im Zuge der Entwicklung und des technischen Fortschritts ohne vorherige Ankündigung vorzunehmen.
- Die technischen Daten können von Land zu Land unterschiedlich sein.
- Das Gewicht kann abhängig von den Aufsätzen unterschiedlich sein. Die leichteste und die schwerste Kombination, gemäß dem EPTA-Verfahren 01/2014, sind in der Tabelle angegeben.

## Symbol

Nachstehend sind Symbole aufgeführt, auf die Sie beim Werkzeuggebrauch stoßen können. Sie sollten noch vor Arbeitsbeginn ihre Bedeutung kennen.



Lesen Sie die vorliegende Bedienungsanleitung.



ZWEIFACH-ISOLIERUNG



Setzen Sie die Säge keinem Regen aus.



Ziehen Sie bei einem beschädigten oder angeschnittenen Kabel sofort den Netzstecker!



Nur für EU-Länder  
Werfen Sie Elektrogeräte nicht in den Hausmüll! Unter Einhaltung der Europäischen Richtlinie über Elektro- und Elektronik-Altgeräte und ihrer Umsetzung gemäß den Landesgesetzen müssen Elektrogeräte, die das Ende ihrer Lebensdauer erreicht haben, getrennt gesammelt und einer umweltgerechten Recycling-Einrichtung zugeführt werden.

## Verwendungszweck

Das Werkzeug wurde für das Schneiden von Hecken entwickelt.

## Stromversorgung

Das Werkzeug darf ausschließlich an Einphasen-Wechselstrom mit der auf dem Typenschild angegebenen Spannung angeschlossen werden. Das Werkzeug verfügt über ein doppelt isoliertes Gehäuse und kann daher auch an einer Stromversorgung ohne Schutzkontakt betrieben werden.

## Geräusch

Die typischen A-bewerteten Geräuschpegel, bestimmt gemäß EN60745-2-15:

- Schalldruckpegel (L<sub>pA</sub>): 89,9 dB (A)
- Schalleistungspegel (L<sub>WA</sub>): 97,9 dB (A)
- Abweichung (K): 1,5 dB (A)

**HINWEIS:** Der (Die) angegebene(n) Schallemissionswert(e) wurde(n) im Einklang mit der Standardprüfmethode gemessen und kann (können) für den Vergleich zwischen Werkzeugen herangezogen werden.

**HINWEIS:** Der (Die) angegebene(n) Schallemissionswert(e) kann (können) auch für eine Vorbewertung des Gefährdungsgrads verwendet werden.

**⚠️ WARNUNG:** Einen Gehörschutz tragen.

**⚠️ WARNUNG:** Die Schallemission während der tatsächlichen Benutzung des Elektrowerkzeugs kann je nach der Benutzungsweise des Werkzeugs, und speziell je nach der Art des bearbeiteten Werkstücks, von dem (den) angegebenen Wert(en) abweichen.

**⚠️ WARNUNG:** Identifizieren Sie Sicherheitsmaßnahmen zum Schutz des Benutzers anhand einer Schätzung des Gefährdungsgrads unter den tatsächlichen Benutzungsbedingungen (unter Berücksichtigung aller Phasen des Arbeitszyklus, wie z. B. Ausschalt- und Leerlaufzeiten des Werkzeugs zusätzlich zur Betriebszeit).

## Schwingung

Schwingungsgesamtwerte (Vektorsumme dreier Achsen) nach EN60745-2-15:

- Arbeitsmodus: Hecke Schneiden
- Schwingungsbelastung (a<sub>h</sub>): 6,7 m/s<sup>2</sup>
- Abweichung (K): 1,5 m/s<sup>2</sup>

**HINWEIS:** Der (Die) angegebene(n) Vibrationsgesamtwert(e) wurde(n) im Einklang mit der Standardprüfmethode gemessen und kann (können) für den Vergleich zwischen Werkzeugen herangezogen werden.

**HINWEIS:** Der (Die) angegebene(n) Vibrationsgesamtwert(e) kann (können) auch für eine Vorbewertung des Gefährdungsgrads verwendet werden.

**⚠️ WARNUNG:** Die Vibrationsemission während der tatsächlichen Benutzung des Elektrowerkzeugs kann je nach der Benutzungsweise des Werkzeugs, und speziell je nach der Art des bearbeiteten Werkstücks, von dem (den) angegebenen Emissionswert(en) abweichen.

**⚠️ WARNUNG:** Identifizieren Sie Sicherheitsmaßnahmen zum Schutz des Benutzers anhand einer Schätzung des Gefährdungsgrads unter den tatsächlichen Benutzungsbedingungen (unter Berücksichtigung aller Phasen des Arbeitszyklus, wie z. B. Ausschalt- und Leerlaufzeiten des Werkzeugs zusätzlich zur Betriebszeit).

## EG-Konformitätserklärung

### Nur für europäische Länder

Die EG-Konformitätserklärung ist als Anhang A in dieser Bedienungsanleitung enthalten.

## Allgemeine Sicherheitshinweise für Elektrowerkzeuge

**⚠️ WARNUNG** Lesen Sie alle Sicherheitswarnungen und -anweisungen sorgfältig durch. Werden die Warnungen und Anweisungen ignoriert, besteht die Gefahr eines Stromschlags, Brands und/oder schweren Verletzungen.

**Bewahren Sie alle Warnhinweise und Anweisungen zur späteren Referenz gut auf.**

## SICHERHEITSHINWEISE FÜR DIE HECKENSCHERE

- Halten Sie mit allen Körperteilen Abstand zum Schneidblatt.** Entfernen Sie kein geschnittenes Material oder halten Sie kein zu schneidendes Material, wenn sich die Blätter bewegen. Überprüfen Sie, dass der Schalter aus ist, wenn Sie verklebtes Material entfernen. Ein Moment der Unachtsamkeit kann beim Umgang mit der Heckenschere zu schweren Personenschäden führen.
- Tragen Sie die Heckenschere mit angehaltenem Schneidblatt am Griff. Transportieren und lagern Sie die Heckenschere immer mit aufgesetztem Schutz über dem Schneidblatt.** Durch einen sachgemäßen Umgang mit der Heckenschere können Sie mögliche Personenschäden durch die Schneidblätter vermindern.
- Halten Sie das Werkzeug ausschließlich an den isolierten Griffflächen, da das Schnittblatt verborgene Kabel oder das eigene Kabel berühren kann.** Bei Kontakt des Schnittblatts mit einem stromführenden Kabel wird der Strom an die Metallteile des Elektrowerkzeugs und dadurch an den Bediener weitergeleitet, und der Bediener erleidet einen Stromschlag.
- Halten Sie das Kabel in einem Abstand zum Schneidbereich.** Während des Betriebs kann sich das Kabel im Gestrüpp verbergen und versehentlich durch das Blatt zerschnitten werden.
- Verwenden Sie die Heckenschere nicht, während es regnet, oder bei nassen oder sehr feuchten Bedingungen. Der Elektromotor ist nicht wasserdicht.
- Erstmalige Anwender sollten sich von erfahrenen Anwendern die Verwendung der Heckenschere zeigen lassen.
- Kinder und Jugendliche unter 18 Jahren dürfen die Heckenschere nicht bedienen. Jugendliche über 16 Jahren sind von diesem Verbot ausgenommen, wenn sie zum Zweck der Ausbildung unter Aufsicht eines Fachkundigen stehen.
- Betreiben Sie die Heckenschere nur, wenn Sie in guter physischer Verfassung sind. Falls Sie müde sind, lässt Ihre Aufmerksamkeit nach. Seien Sie am Ende eines Arbeitstages besonders aufmerksam. Führen Sie alle Arbeiten ruhig und sorgfältig durch. Der Anwender ist für alle Schäden an Dritten verantwortlich.
- Verwenden Sie die Heckenschere niemals unter Einfluss von Alkohol, Drogen oder Medikamenten.
- Prüfen Sie, dass die Spannung und Frequenz der Stromversorgung den auf dem Typenschild angegebenen Technischen Daten entspricht. Wir empfehlen die Verwendung eines Fehlerstrom-Schutzschalters (FI-Schutzschalter) mit einem Auslösestrom von max. 30 mA oder eines Erdschlussstrom-Schutzes.
- Arbeitshandschuhe aus festem Leder sind Teil der Grundausstattung der Heckenschere und müssen stets bei Arbeiten mit der Heckenschere getragen werden. Tragen Sie außerdem feste Schuhe mit rutschfesten Sohlen.
- Überprüfen Sie vor Beginn der Arbeiten, dass die Heckenschere ordnungsgemäß und sicher arbeitet. Stellen Sie sicher, dass die Sicherheitsabdeckungen ordnungsgemäß angebracht sind. Überprüfen Sie das Kabel vor Beginn der Arbeiten auf Beschädigungen und ersetzen Sie es bei Bedarf. Die Heckenschere darf nur vollständig montiert verwendet werden.
- Halten Sie das Kabel in einem Abstand zum Schneidbereich. Arbeiten Sie immer so, dass sich das Verlängerungskabel hinter Ihnen befindet.
- Ziehen Sie bei einem beschädigten oder angeschnittenen Kabel sofort den Netzstecker!
- Überprüfen Sie vor Beginn der Arbeiten, dass Sie einen sicheren Stand haben.
- Halten Sie das Werkzeug bei Verwendung sicher fest.
- Lassen Sie das Werkzeug nicht unnötig ohne Last laufen.
- Schalten Sie den Motor sofort aus und ziehen Sie den Netzstecker, wenn die Schere mit einem Anschlag oder einem anderen harten Gegenstand in Kontakt kam. Überprüfen Sie die Schere auf Beschädigungen, und reparieren Sie sie bei Bedarf.
- Schalten Sie die Heckenschere stets aus und ziehen Sie den Hauptstecker, bevor Sie die Schere überprüfen, sich um Fehler kümmern oder in der Schere verklebtes Material entfernen.

20. Schalten Sie den Trimmer aus, ziehen und sichern Sie den Hauptstecker, bevor Sie Wartungsarbeiten durchführen.
21. Ziehen Sie stets den Netzstecker und bringen Sie stets die Schneidmesserabdeckung auf dem Schneidmesser an, wenn Sie die Heckenschere an einen anderen Ort umsetzen, auch im Verlauf der Arbeiten. Tragen oder transportieren Sie die Heckenschere niemals mit laufendem Schneidmesser. Fassen Sie die Schneidmesser niemals mit den Händen an.
22. Reinigen Sie die Heckenschere und besonders das Schneidblatt nach der Verwendung und vor der Lagerung der Heckenschere über einen längeren Zeitraum. Ölen Sie das Schneidblatt leicht und bringen Sie die Abdeckung an. Die mit dem Gerät gelieferte Abdeckung kann an die Wand gehängt werden und bietet so eine sichere und praktische Möglichkeit zur Lagerung der Heckenschere.
23. Lagern Sie die Heckenschere mit angebrachter Abdeckung in einem trockenem Raum. Lagern Sie die Heckenschere außerhalb der Reichweite von Kindern. Lagern Sie die Heckenschere niemals im Freien.
24. **Lassen Sie das Werkzeug nicht unnötig ohne Last laufen.**
25. **Richten Sie die Schermesser niemals auf sich selbst oder andere Personen.**
26. **Falls die Messer stehen bleiben, weil sich Fremdkörper während des Betriebs zwischen den Messern verfangen haben, schalten Sie das Werkzeug aus, ziehen Sie den Netzstecker ab, und beseitigen Sie dann die Fremdkörper mithilfe von Werkzeugen, wie z. B. einer Zange.** Beseitigen der Fremdkörper von Hand kann zu einer Verletzung führen, da sich die Messer als Reaktion auf die Beseitigung der Fremdkörper bewegen können.
27. **Vermeiden Sie gefährliche Umgebungen. Benutzen Sie das Werkzeug nicht an feuchten oder nassen Orten, und setzen Sie es auch keinem Regen aus. Wasser, das in das Werkzeug eindringt, erhöht die Stromschlaggefahr.**
28. **Überprüfen Sie die Hecken und Büsche auf Fremdkörper, wie z. B. Drahtzäune oder verborgene Kabel, bevor Sie das Werkzeug betreiben.**

## BEWAHREN SIE DIESE ANWEISUNGEN AUF.

**⚠️ WARNUNG:** Lassen Sie sich NIE durch Bequemlichkeit oder (aus fortwährendem Gebrauch gewonnener) Vertrautheit mit dem Werkzeug dazu verleiten, die Sicherheitsregeln für das Werkzeug zu missachten. Bei **MISSBRÄUCLICHER** Verwendung des Werkzeugs oder **Missachtung der in diesem Handbuch enthaltenen Sicherheitshinweise** kann es zu **schweren Verletzungen** kommen.

## FUNKTIONSBESCHREIBUNG

### ⚠️ VORSICHT:

- Überzeugen Sie sich immer vor dem Einstellen des Werkzeugs oder der Kontrolle seiner Funktion, dass es abgeschaltet und der Stecker aus der Dose gezogen ist.

## Einschalten

- **Abb.1:** 1. Griffschalter B 2. Griffschalter A  
3. Griffschalter C

Zu Ihrer Sicherheit ist das Werkzeug mit einem Dreifach-Schaltersystem ausgestattet. Zum Einschalten des Werkzeugs drücken Sie zwei der drei Schalter A, B und C. Lassen Sie zum Ausschalten einen der zwei gedrückten Schalter los. Die Reihenfolge der Schalterbetätigung ist unwichtig, da das Werkzeug nur startet, wenn beide Schalter betätigt werden.

## Gerader Schnitt

- **Abb.2**

Zum geraden Schneiden der Hecke betätigen Sie die Schalter A und B.

## Vertikaler Schnitt

- **Abb.3**

Betätigen Sie zum Schneiden nach oben mit beiden Händen die Schalter B und C und bewegen Sie die Heckenschere vor Ihrem Körper.

## Schnitt eines entfernten Bereichs

- **Abb.4**

Zum Schneiden der Hecke in einem entfernten Bereich betätigen Sie mit beiden Händen die Schalter A und C.

## MONTAGE

### ⚠️ VORSICHT:

- Ehe Sie am Werkzeug irgendeine Arbeiten beginnen, überzeugen Sie sich immer vorher, dass es abgeschaltet und der Stecker aus der Dose gezogen ist.

## Anbringen des Verlängerungskabels

### ⚠️ VORSICHT:

- Vergewissern Sie sich, dass das Verlängerungskabel nicht an die Hauptsteckdose angeschlossen ist.

- **Abb.5:** 1. Kompletthaken 2. Verlängerungskabel  
3. Werkzeugkabel

Sichern Sie beim Anschließen des Verlängerungskabels dieses am Werkzeugkabel mit dem Kompletthaken. Bringen Sie den Haken im Abstand von 100 bis 200 mm vom Stecker des Verlängerungskabels an. Dadurch wird ein versehentliches Abtrennen verhindert.

## Kabelhalter für Gürtel

### **⚠ VORSICHT:**

- Bringen Sie den Kabelhalter für den Gürtel nur am Verlängerungskabel an. Befestigen Sie diesen nicht in einer Position zu nahe am Werkzeug, hinter dem Kompletthaken. Anderenfalls kann es zu einem Unfall oder Verletzungen kommen.
- Befestigen Sie einen Haken des Kompletthakens am Werkzeugkabel und den anderen Haken am Verlängerungskabel. Das Arbeiten mit dem Werkzeug mit nur einem befestigten Haken kann zu einem Unfall oder Verletzungen führen.

Die Verwendung des Kabelhalters für den Gürtel unterstützt die Risikominimierung des versehentlichen Abschneidens des losen Verlängerungskabels.

- **Abb.6:** 1. Haken 2. Werkzeug 3. Werkzeugkabel  
4. Kompletthaken 5. Verlängerungskabel  
6. Halterung 7. Kabelhalter für Gürtel

Drücken oder ziehen Sie das Kabel durch die Öffnung in der Halterung.

- **Abb.7:** 1. Halterung 2. Kabel

### **⚠ VORSICHT:**

- Überlasten Sie die Öffnung der Halterung nicht. Anderenfalls kann es zu einer Durchbiegung oder Beschädigung kommen.

## Kabelhalter für Arm (Zubehör)

### **⚠ VORSICHT:**

- Bringen Sie den Kabelhalter für den Arm nur am Verlängerungskabel an. Befestigen Sie diesen nicht in einer Position zu nahe am Werkzeug, hinter dem Kompletthaken. Anderenfalls kann es zu einem Unfall oder Verletzungen kommen.
- Befestigen Sie einen Haken des Kompletthakens am Werkzeugkabel und den anderen Haken am Verlängerungskabel. Das Arbeiten mit dem Werkzeug mit nur einem befestigten Haken kann zu einem Unfall oder Verletzungen führen.

Die Verwendung des Kabelhalters für den Arm unterstützt die Risikominimierung des versehentlichen Abschneidens des losen Verlängerungskabels.

- **Abb.8:** 1. Halterung 2. Kabelhalter für Arm

Befestigen Sie den Kabelhalter für den Arm fest an Ihrem Arm und führen Sie das Verlängerungskabel durch die Halterung. Die Länge des Bandes für die Armhalterung kann angepasst werden.

### **HINWEIS:**

- Führen Sie das Verlängerungskabel nicht durch das Band.
- Überlasten Sie die Öffnung der Halterung nicht. Anderenfalls kann es zu einer Durchbiegung oder Beschädigung kommen.
- Die Verwendung des Kabelhalters für den Arm zusammen mit dem Kabelhalter für den Gürtel ist nützlicher.

## ARBEIT

### **⚠ VORSICHT:**

- Achten Sie darauf, dass Sie während des Schneidens nicht versehentlich mit einem metallischen Anschlag oder anderen harten Gegenständen in Berührung kommen. Das Schneidblatt kann brechen und schwere Verletzungen verursachen.
- Das weite Hinauslehnen mit einer Heckenschere, vor allem von einer Leiter aus, ist äußerst gefährlich. Arbeiten Sie niemals von einem wackligen oder unsichern Standort aus.

**ANMERKUNG:** Versuchen Sie nicht, Äste von mehr als 10 mm Durchmesser mit dem Werkzeug zu schneiden. Schneiden Sie Äste vor Gebrauch dieses Werkzeugs mit Astschneidern auf 10 cm unter der Schnitthöhe.

- **Abb.9:** (1) Schnitthöhe (2) 10 cm

### **⚠ VORSICHT:**

- Schneiden Sie keine toten Äste oder ähnliche harte Gegenstände ab. Zuwiderhandlungen können das Werkzeug beschädigen.

Halten Sie die Heckenschere mit beiden Händen, betätigen Sie die Schalter A und B und bewegen Sie die Heckenschere vor Ihrem Körper.

- **Abb.10**

Neigen Sie im Grundbetrieb die Schneidblätter in Richtung der Trimmrichtung und bewegen Sie die Heckenschere ruhig und langsam mit einer Geschwindigkeit von 3 bis 4 Sekunden pro Meter.

- **Abb.11:** 1. Schneidrichtung 2. Neigung der Blätter  
3. Zu schneidende Heckenfläche

Zum geraden Schneiden einer Heckenoberkante können Sie eine Schnur in der gewünschten Heckenhöhe spannen und diese beim Schneiden als Referenzlinie verwenden.

- **Abb.12**

Durch Anbringen der Spanaufnahme (Zubehör) am Werkzeug kann beim geraden Schneiden der Hecke das Herunterfallen der abgeschnittenen Blätter verhindert werden.

- **Abb.13**

Zum gleichmäßigen Schneiden der Heckenseite schneiden Sie diese von unten nach oben.

- **Abb.14**

Schneiden Sie Buchsbaum oder Rhododendron für ein hübsches Aussehen und einen guten Schnitt von der Basis zur Spitze.

- **Abb.15**

## Montage und Demontage der Spanaufnahme (Zubehör)

### **⚠ VORSICHT:**

- Schalten Sie das Werkzeug aus und ziehen Sie den Stecker, bevor Sie die Spanaufnahme einsetzen oder entfernen.



#### HINWEIS:

- Tragen Sie beim Austauschen der Spanaufnahme immer Arbeitshandschuhe, sodass Sie das Schneidblatt nicht direkt mit den Händen berühren. Anderenfalls kann es zu Verletzungen kommen.
- Achten Sie vor dem Einsetzen der Spanaufnahme darauf, dass Sie die Schneidblattabdeckung entfernt haben.
- Die Spanaufnahme fängt die abgeschnittenen Blätter auf und erleichtert das Aufsammeln der abgefallenen Blätter. Die Spanaufnahme kann an jeder Seite des Werkzeugs befestigt werden.

► **Abb.16:** 1. Drücken 2. Spanaufnehmer 3. Mutter 4. Schneidblatt

Drücken Sie die Spanaufnahme auf die Schneidblätter, sodass die Schlitzlöcher die Muttern auf den Schneidblättern überdecken. Überprüfen Sie in diesem Moment, dass die Spanaufnahme den Astfänger am oberen Ende der Schneidblätter nicht berührt.

► **Abb.17:** 1. Mutter 2. Astfänger

Zu diesem Zeitpunkt muss die Spanaufnahme angebracht werden, damit die Haken in die Kerben im Schneidblatt passen.

► **Abb.18:** 1. Haken 2. Einpassen der Haken in die Kerbe 3. Nuten

Zum Entfernen der Spanaufnahme drücken Sie den Hebel an beiden Seiten, sodass die Haken freigegeben werden.

► **Abb.19:** 1. Drücken der Hebel an beiden Seiten 2. Lösen der Haken

#### ⚠ VORSICHT:

- Die Schneidblattabdeckung (Standardausrüstung) kann bei angebrachter Spanaufnahme nicht montiert werden. Entfernen Sie vor dem Transport oder der Lagerung die Spanaufnahme und bringen Sie die Schneidblattabdeckung an, um ein Freiliegen des Blattes zu vermeiden.

#### HINWEIS:

- Prüfen Sie vor der Verwendung die sichere Installation der Spanaufnahme.
- Wenden Sie beim Entfernen der Spanaufnahme keine übermäßigen Kräfte an, wenn die Haken in den Blattkerben eingerastet sind. Die Anwendung übermäßiger Kräfte kann zu Beschädigungen führen.

## WARTUNG

#### ⚠ VORSICHT:

- Bevor Sie mit der Kontrolle oder Wartung des Werkzeugs beginnen, überzeugen Sie sich immer, dass es ausgeschaltet und der Stecker aus der Steckdose herausgezogen ist.

## Reinigen des Werkzeugs

Reinigen Sie das Werkzeug, indem Sie den Staub mit einem trockenen oder in Seifenlösung getunkten Lappen abwischen.

#### ⚠ VORSICHT:

- Verwenden Sie zum Reinigen niemals Kraftstoffe, Benzin, Verdünnern, Alkohol oder ähnliches. Dies kann zu Verfärbungen, Verformungen oder Rissen führen.

## Wartung des Sägeblatts

Schmieren Sie das Blatt vor dem Betrieb und nach jeder Betriebsstunde mit Maschinenöl oder ähnlichem. Entfernen Sie nach dem Betrieb den Staub von beiden Seiten des Blattes mit einer Drahtbürste, wischen Sie den Staub mit einem Lappen ab und tragen Sie anschließend dünnflüssiges Öl, z.B. Maschinenöl usw., oder Sprühschmieröl auf.

#### ⚠ VORSICHT:

- Waschen Sie die Blätter nicht mit Wasser ab. Zuwendungen können zum Rosten führen oder das Werkzeug beschädigen.

**ANMERKUNG:** Falls andere Teile außer den Schermessern, wie z. B. die Kurbel, verschlissen sind, wenden Sie sich für einen Teileaustausch oder Reparaturen an ein autorisiertes Makita-Servicecenter.

## Montage und Demontage des Schneidblatts

#### ⚠ VORSICHT:

- Schalten Sie das Werkzeug stets aus und ziehen Sie den Stecker, bevor Sie das Schneidblatt einsetzen oder entfernen.
- Tragen Sie beim Austauschen des Schneidblattes immer Arbeitshandschuhe und entfernen Sie die Blattabdeckung nicht, sodass Sie das Schneidblatt nicht direkt mit den Händen berühren. Anderenfalls kann es zu Verletzungen kommen.

#### HINWEIS:

- Wischen Sie aus dem Getriebe und von der Kurbelwelle keine Schmiere ab. Zuwendungen können das Werkzeug beschädigen.
- Besondere Vorgehensweisen zum Entfernen und Anbringen der Schneidblätter finden Sie auf der Rückseite der Verpackung der Zubehörschneidblätter.

## Ausbauen der Schneidblätter

Drehen Sie das Werkzeug um und lösen Sie die vier Schrauben.

► **Abb.20:** 1. Schrauben 2. Sägeblattabdeckung

#### HINWEIS:

- Achten Sie darauf, dass Sie sich Ihre Hände nicht beschmieren, denn im Antriebsbereich des Schneidblattes wurde Schmiermittel aufgetragen.

Entfernen Sie die untere Abdeckung.

- ▶ **Abb.21:** 1. Untere Abdeckung  
2. Sägeblattabdeckung

Entfernen Sie die Abdeckung des Getriebegehäuses.

- ▶ **Abb.22:** 1. Getriebegehäuseabdeckung

Stellen Sie die Kurbelwelle mit einem Schlitzschraubendreher auf den in der Abbildung dargestellten Winkel ein.

- ▶ **Abb.23:** 1. Kurbelwelle

Entfernen Sie die zwei Schrauben von den Schneidblättern und Sie können das Schneidblatt herausnehmen.

- ▶ **Abb.24:** 1. Schrauben 2. Schneidblatt

#### **⚠ VORSICHT:**

- Setzen Sie das Getriebe wieder in der Ursprungsposition ein, falls Sie es versehentlich herausgenommen haben.

## Einbauen des Schneidblattes

Bereiten Sie die 4 entfernten Schrauben (für die untere Abdeckung), die 2 Schrauben (für das Schneidblatt), die Abdeckung des Getriebegehäuses, die untere Abdeckung und die neuen Schneidblätter vor. Passen Sie die Kurbelwellenposition wie in der Abbildung dargestellt an. Tragen Sie jetzt etwas Schmiermittel mit den neuen Schneidblättern am Rand der Kurbelwelle auf.

- ▶ **Abb.25:** 1. Kurbelwelle

Bringen Sie das ovale Loch im oberen Blatt mit dem im unteren Blatt in Übereinstimmung.

- ▶ **Abb.26:** 1. Ellipse des Scherblattes

Nehmen Sie die Blattabdeckung von den alten Schneidblättern ab und passen Sie diese auf die neuen an, um eine einfachere Handhabung während des Austauschs der Blätter zu ermöglichen.

- ▶ **Abb.27**

Platzieren Sie die neuen Schneidblätter so auf dem Werkzeug, dass die ovalen Löcher in den Schneidblättern auf die Kurbelwelle passen. Bringen Sie die Löcher in den Schneidblättern mit den Schraubenlöchern im Werkzeug in Übereinstimmung und sichern Sie diese mit zwei Schrauben.

- ▶ **Abb.28:** 1. Ellipse des Scherblattes 2. Kurbelwelle

Prüfen Sie die Kurbelwelle mit einem Schlitzschraubendreher auf eine weiche Drehung.

- ▶ **Abb.29:** 1. Kurbelwelle

Bringen Sie die untere Abdeckung und die des Getriebegehäuses wieder an. Ziehen Sie die Schrauben fest an.

Entfernen Sie die Blattabdeckung und schalten Sie das Werkzeug an, um die ordnungsgemäße Bewegung zu überprüfen.

#### **HINWEIS:**

- Wenn sich die Schneidblätter nicht ordnungsgemäß bewegen, liegt zwischen Blättern und Kurbelwelle eine schlechte Passform vor. Führen Sie den Vorgang erneut von Beginn an durch.

## Lagerung

Zum Aufhängen des Werkzeugs an einem Nagel oder einer Schraube in der Wand ist der Hakendurchbruch im unteren Bereich der Blattabdeckung praktisch.

- ▶ **Abb.30**

Bringen Sie die Blattabdeckung auf den Schneidblättern an, damit die Blätter nicht frei liegen. Bewahren Sie das Werkzeug außerhalb der Reichweite von Kindern auf. Bewahren Sie das Werkzeug an einem Platz auf, wo es weder Wasser noch Regen ausgesetzt ist. Zur Aufrechterhaltung der SICHERHEIT und ZUVERLÄSSIGKEIT des Produkts müssen die Reparaturen, die Kontrolle und der Wechsel der Kohlen sowie alle Wartungen und Einstellungen von den autorisierten Servicestellen der Firma Makita und unter Verwendung der Ersatzteile von Makita durchgeführt werden.

## SONDERZUBEHÖR

#### **⚠ VORSICHT:**

- Für Ihr Werkzeug Makita, das in dieser Anleitung beschrieben ist, empfehlen wir folgende Zubehörteile und Aufsätze zu verwenden. Bei der Verwendung anderer Zubehörteile oder Aufsätze kann die Verletzungsgefahr für Personen drohen. Die Zubehörteile und Aufsätze dürfen nur für ihre festgelegten Zwecke verwendet werden.

Wenn Sie nähere Informationen bezüglich dieses Zubehörs benötigen, wenden Sie sich bitte an Ihre örtliche Servicestelle der Firma Makita.

- Schneidblattabdeckung
- Kompletthaken
- Schneidblatt-Baugruppe
- Kabelhalter für Gürtel
- Kabelhalter für Arm

#### **HINWEIS:**

- Einige der in der Liste aufgeführten Elemente sind dem Werkzeuggpaket als Standardzubehör beigelegt. Diese können in den einzelnen Ländern voneinander abweichen.

## RÉSZLETES LEÍRÁS

Modell	UH4570	UH5570	UH6570
Kés hossza	450 mm	550 mm	650 mm
Löketszám percenként (min <sup>-1</sup> )	1600	1600	1600
Teljes hossz	862 mm	970 mm	1042 mm
Tiszta tömeg	3,7 - 3,9 kg	3,7 - 3,9 kg	3,7 - 3,9 kg
Biztonsági osztály	II/III		

- Folyamatos kutató- és fejlesztőprogramunk eredményeként az itt felsorolt tulajdonságok figyelmeztetés nélkül megváltozhatnak.
- A tulajdonságok országról országra különbözhetnek.
- A súly a felszerelt tartozék(ok)tól függően változhat. Az EPTA 01/2014 eljárás szerint meghatározott legnehezebb, illetve legkönnyebb kombináció a táblázatban látható.

### Jelölés

A következőkben a berendezésen használt jelképek láthatók. A szerszám használata előtt bizonyosodjon meg arról hogy helyesen értelmezi a jelentésüket.

	Olvassa el a használati útmutatót.
	KETTŐS SZIGETELÉS
	Ne tegye ki a szerszámot esőnek.
	Azonnal távolítsa el a csatlakozódugót a tápellátásról, ha a kábel megsérül vagy elszakad.
	Csak EU-tagállamok számára Az elektromos berendezéseket ne dobja a háztartási szemétkbe! A használt elektromos és elektronikus berendezésekről szóló európai uniós irányelv és annak a nemzeti jogba való átültetése szerint az elhasznált elektromos berendezéseket külön kell gyűjteni, és környezetbarát módon újra kell hasznosítani.

### Rendeltetésszerű használat

A szerszám a sövény nyírására szolgál.

### Tápfeszültség

A szerszámot kizárólag olyan egyfázisú, váltóáramú hálózatra szabad kötni, amelynek feszültsége megegyezik az adattábláján szereplő feszültséggel. A szerszám kettős szigetelésű, ezért földelővezeték nélküli aljzatról is működtethető.

### Zaj

A tipikus A-súlyozású zajszint, az EN60745-2-15 szerint meghatározva:

- Hangnyomásszint ( $L_{pA}$ ): 89,9 dB (A)
- Hangteljesítményszint ( $L_{WA}$ ): 97,9 dB (A)
- Tűrés (K): 1,5 dB (A)

**MEGJEGYZÉS:** A zajkibocsátás értéke a szabványos vizsgálati eljárásnak megfelelően lett mérve, és segítségével az elektromos kéziszerszámok összehasonlíthatók egymással.

**MEGJEGYZÉS:** A zajkibocsátás értékének segítségével előzetesen megbecsülhető a rezgésnek való kitettség mértéke.

**▲ FIGYELMEZTETÉS:** Viseljen fülvédőt!

**▲ FIGYELMEZTETÉS:** A szerszám zajkibocsátása egy adott alkalmazásnál eltérhet a megadott értéktől a használat módjától, különösen a feldolgozott munkadarab fajtájától függően.

**▲ FIGYELMEZTETÉS:** Határozza meg a kezelő védelmét szolgáló munkavédelmi lépéseket, melyek az adott munkafeltételek melletti vibrációs hatás becslt mértékén alapulnak (figyelembe véve a munkaciklus elemeit, mint például a gép leállításának és üresjáratának mennyiségét az elindítások száma mellett).

### Vibráció

A vibráció teljes értéke (háromtengelyű vektorösszeg) EN60745-2-15 szerint meghatározva:

- Munka mód: sövényvágás
- Rezgéskibocsátás ( $a_{h1}$ ): 6,7 m/s<sup>2</sup>
- Tűrés (K): 1,5 m/s<sup>2</sup>

**MEGJEGYZÉS:** A rezgés teljes értéke a szabványos vizsgálati eljárásnak megfelelően lett mérve, és segítségével az elektromos kéziszerszámok összehasonlíthatók egymással.

**MEGJEGYZÉS:** A rezgés teljes értékének segítségével előzetesen megbecsülhető a rezgésnek való kitettség mértéke.

**▲ FIGYELMEZTETÉS:** A szerszám rezgés-kibocsátása egy adott alkalmazásnál eltérhet a megadott értéktől a használat módjától, különösen a feldolgozott munkadarab fajtájától függően.

**▲ FIGYELMEZTETÉS:** Határozza meg a kezelő védelmét szolgáló munkavédelmi lépéseket, melyek az adott munkafeltételek melletti vibrációs hatás becslt mértékén alapulnak (figyelembe véve a munkaciklus elemeit, mint például a gép leállításának és üresjáratának mennyiségét az elindítások száma mellett).

## EK Megfelelőségi nyilatkozat

**Csak európai országokra vonatkozóan**

Az EK-megfelelőségi nyilatkozat az útmutató „A” mellékletében található.

## A szerszámgepekre vonatkozó általános biztonsági figyelmeztetések

**⚠ FIGYELEM** Olvassa el az összes biztonsági figyelmeztetést és utasítást. Ha nem tartja be a figyelmeztetéseket és utasításokat, akkor áramütést, tüzet és/vagy súlyos sérülést okozhat.

**Őrizzen meg minden figyelmeztetést és utasítást a későbbi tájékozódás érdekében.**

## A SÖVÉNYVÁGÓRA VONATKOZÓ BIZTONSÁGI FIGYELMEZTETÉSEK

- Tartsa távol a testrészeit a vágókéstől. Ne távolítsa el a levágott anyagot, és ne tartsa a levágni kívánt anyagot, ha a kések mozognak. Ügyeljen rá, hogy kikapcsolja, mielőtt eltávolítja az elakadt anyagot.** A sövényvágó használata közben egy figyelmen kívül hagyott pillanat is komoly személyi sérüléshez vezethet.
- A sövényvágót a fogantyúnál fogva, leállított vágókéssel szállítsa. A sövényvágó szállításkor vagy tárolásakor mindig rakja fel a vágóeszköz fedelét.** A sövényvágó helyes kezelése lecsökkenti a vágókések okozta személyi sérülések bekövetkeztének valószínűségét.
- Az elektromos szerszámot kizárólag az szigetelt markolási felületeinél fogva tartsa, mivel fennáll a veszélye, hogy a vágókés rejtett vezetékébe vagy saját vezetékébe ütközik.** A vágókés "élő" vezetékkel való érintkezéskor a szerszám fém alkatrészei is áram alá kerülnek, és megrázhathatják a kezelőt.
- Tartsa távol a vezetékét a vágási területtől.** Használat közben a vezetékét a bokor ágai elfedhetik, és a kés véletlenül átvághatja azt.
- Ne használja a sövényvágót esőben, nedves vagy nagyon párás körülmények között. Az elektromos motor nem vízálló.
- A szerszámot először használó személyeknek egy tapasztalt sövénynyíróknak kell megmutatnia a vágó használatát.
- 18 év alatti fiatalok vagy gyerekek nem használhatják a sövényvágót. 16 év feletti fiatalok mentesülhetnek ezen tilalom alól, ha szakember részvételével betanításban részesülnek.
- Csak akkor használja a sövényvágót, ha jó fizikai állapotban van. A fáradtság például figyelmen kívül hagyásához vezethet. Különös figyelmet kell fordítani a munkanap végére. Minden munkát nyugodtan és elővigyázatosan végezzen. A harmadik félnek okozott károkért a felhasználó felelős.
- Soha ne használja a sövényvágót alkohol, kábítószer vagy gyógyszer hatása alatt.
- Ellenőrizze, hogy az áramforrás feszültsége és frekvenciája megfelel az azonosított lapon megadott műszaki adatoknak. Javasoljuk 30 mA vagy alacsonyabb áramerősségen kioldó visszamaradó áramú áramkör-megszakító (földzárlat áramkör-megszakító) vagy érintésvédő kapcsoló használatát.
- Az erős bőrből készült munkakesztyűk a sövényvágó alapfelszerelésének részét képezik és a használatkor mindig fel kell venni azokat. Emellett viseljen kemény lábbelit csúszásgátló talppal.

- A munka megkezdése előtt ellenőrizze, hogy a sövényvágó állapota jó és megfelelő a biztonságos munkavégzésre. Ügyeljen rá, hogy a védőburkolatok megfelelően fel legyenek szerelve. A munka megkezdése előtt ellenőrizze a vezetékét a sérülések tekintetében és szükség esetén cserélje ki. A sövényvágót csak teljesen összeszerelt állapotban szabad használni.
- Tartsa távol a vezetékét a vágási területtől. Mindig úgy végezze a vágást, hogy a hosszabbító vezeték a háta mögött legyen.
- Ha a vezeték megsérült, vagy átvágták, azonnal szerelje le a csatlakozódugót.
- A használat megkezdése előtt ellenőrizze, hogy biztonságosan áll.
- A szerszámot erősen fogja használat közben.
- Ne működtesse a szerszámot terhelés nélkül fölöslegesen.
- Azonnal kapcsolja ki a motort és áramtalanítsa a szerszámot, ha a vágó a kerítéshez vagy más kemény tárgyhoz ért. Ellenőrizze a vágót sérülések tekintetében, javítsa meg, ha megsérült.
- A vágó ellenőrzése, a hibák kijavítása vagy a vágóban elakadt anyag eltávolítása előtt mindig kapcsolja ki a sövényvágót és áramtalanítsa azt.
- Bármilyen karbantartási művelet megkezdése előtt kapcsolja ki a sövényvágót és húzza ki a dugaszt.
- Minden esetben áramtalanítsa a szerszámot és helyezze a késvédőt a vágókésekre a sövényvágó mozgásakor (munka közben is). Soha ne vigye, vagy szállítsa a sövényvágót mozgó vágóval. Soha ne markolja meg a kezével a vágót.
- A használat után, és ha hosszabb időre elrakja, akkor tisztítsa meg a sövényvágót, különösen odafigyelve a vágóra. Kicsé alojazzza be a vágót és helyezze fel a fedelet. A készülékhez mellékelt fedél felakasztható a falra, biztonságos és praktikus módját biztosítva így a sövényvágó tárolásának.
- A sövényvágót felrakott fedéllel tárolja, száraz helyiségben. Tartsa távol a gyerekektől. Soha ne tárolja a sövényvágót a szabadban.
- Ne működtesse a szerszámot terhelés nélkül fölöslegesen.**
- Soha ne irányítsa a nyírópengéket önmagára vagy másokra.**
- Ha a pengék mozgása leáll, mert működés közben idegen tárgyak szorultak a pengék közé, kapcsolja ki a szerszámot, és húzza ki a hálózati csatlakozót, majd szerszám, például fogó segítségével távolítsa el az idegen tárgyakat.** Az idegen tárgyak kézzel történő eltávolítása sérülést okozhat, mert az idegen tárgyak eltávolítására válaszképpen a pengék megmozdulhatnak.
- Kerülje a veszélyes környezetet. Ne használja a gépet nyirkos, nedves helyen, és ne tegye ki esőnek. A gépbe kerülő víz növeli az áramütés kockázatát.**
- A szerszám használata előtt ellenőrizze a sövényeket és bokrokat, nincs-e bennük idegen tárgy, mint például drótkerítés vagy rejtett huzalok.**

**ŐRIZZE MEG EZEKET AZ UTASÍTÁSOKAT.**

**▲ FIGYELMEZTETÉS:** NE HAGYJA, hogy a kényelem vagy a termék (többszöri használatból adódó) mind alaposabb ismerete váltsa fel az adott termékre vonatkozó biztonsági előírások szigorú betartását. A HELYTELEN HASZNÁLAT és a használati útmutatóban szereplő biztonsági előírások megszegése súlyos személyi sérülésekhez vezethet.

## MŰKÖDÉSI LEÍRÁS

### ▲ VIGYÁZAT:

- Mindig bizonyosodjon meg a szerszám kikapcsolt és a hálózathoz nem csatlakoztatott állapotáról mielőtt ellenőrzi vagy beállítja azt.

## A kapcsoló használata

► **Ábra1:** 1. B kioldókapcsoló 2. A kioldókapcsoló 3. C kioldókapcsoló

Az Ön biztonsága érdekében a szerszám hármaskapcsolórendszerrel van felszerelve. A szerszám bekapcsolásához nyomjon le a három A, B és C kioldókapcsoló közül kettőt. Engedje fel a két lenyomott kapcsoló egyikét a kikapcsoláshoz. A bekapcsolás sorrendje nem fontos, hiszen a szerszám csak akkor indul el, ha mind a két kapcsoló aktíválva van.

## Egyenes vágás

► **Ábra2**

A sövény egyenesre vágásához húzza meg az A és B kioldókapcsolókat.

## Függőleges vágás

► **Ábra3**

A felfelé vágáshoz mindkét kezével húzza meg a B és C kioldókapcsolókat és mozgassa a szerszámot a teste előtt.

## Távoli részek vágása

► **Ábra4**

A sövény vágásához messzebb levő területen mindkét kezével húzza meg az A és C kioldókapcsolókat.

## ÖSSZESZERELÉS

### ▲ VIGYÁZAT:

- Mindig bizonyosodjon meg a szerszám kikapcsolt és a hálózathoz nem csatlakoztatott állapotáról mielőtt bármilyen munkát végezze rajta.

## A hosszabbító kábel használata

### ▲ VIGYÁZAT:

- Ügyeljen rá, hogy a hosszabbító kábel ne legyen az elektromos hálózathoz csatlakoztatva.

► **Ábra5:** 1. Akasztó készlet 2. Hosszabbító kábel 3. A szerszám vezetéke

A hosszabbító kábel használatakor rögzítse azt a szerszám vezetékéhez az akasztó kiegészítővel. Rögzítse az akasztót körülbelül 100 - 200 mm-re a hosszabbító kábel csatlakozójától. Ez segít elkerülni a véletlen szétkapcsolódást.

## Derékakasztó a vezetékhez

### ▲ VIGYÁZAT:

- Ne akasszon mást a derékakasztóra a hosszabbító kábelen kívül. Ne akassza be úgy, hogy a szerszám és az akasztó kiegészítő közé kerüljön. Ennek figyelmen kívül hagyása balesethez vagy személyi sérüléshez vezethet.
- Szilárdan rögzítse az akasztó kiegészítő egyik végét a szerszám vezetékéhez, a másikat pedig a hosszabbító kábelhez. A szerszám használata úgy, hogy csak az egyik vég van beakasztva, balesetet vagy sérülést okozhat.

A derékakasztó használata segít minimalizálni a hosszabbító kábel átvágásának kockázatát a hosszabbító kábel elvesztése miatt.

► **Ábra6:** 1. Övtartó 2. Szerszám 3. A szerszám vezetéke 4. Akasztó készlet 5. Hosszabbító kábel 6. Tartó 7. Derékakasztó a vezetékhez

Nyomja be vagy húzza ki a vezetékét a tartó nyílásán.

► **Ábra7:** 1. Tartó 2. Vezeték

### ▲ VIGYÁZAT:

- Ne erőltesse a tartó kinyitását. Ennek elmulasztása annak meghajlását és sérülését okozhatja.

## Karakasztó a vezetékhez (tartozék)

### ▲ VIGYÁZAT:

- Ne csatlakoztasson mást a karakasztóra a hosszabbító kábelen kívül. Ne akassza be úgy, hogy a szerszám és az akasztó kiegészítő horgai közé kerüljön. Ennek figyelmen kívül hagyása balesethez vagy személyi sérüléshez vezethet.
- Szilárdan rögzítse az akasztó kiegészítő egyik végét a szerszám vezetékéhez, a másikat pedig a hosszabbító kábelhez. A szerszám használata úgy, hogy csak az egyik vég van beakasztva, balesetet vagy sérülést okozhat.

A karakasztó használata segít minimalizálni a hosszabbító kábel átvágásának kockázatát a hosszabbító kábel elvesztése miatt.

► **Ábra8:** 1. Tartó 2. Karakasztó a vezetékhez

Szilárdan rögzítse a karakasztót, a karja köré tekerve azt, és vegesse át a hosszabbító kábelt a tartón. A karakasztó hevederének hossza állítható.

### MEGJEGYZÉS:

- A hosszabbító kábelt ne a heveder alatt vezesse el.
- Ne erőltesse a tartó kinyitását. Ennek elmulasztása annak meghajlását és sérülését okozhatja.
- A karakasztó használata a derékakasztóval együtt sokkal praktikusabb.

# ÜZEMELTETÉS

## ⚠ VIGYÁZAT:

- Ügyeljen rá, nehogy véletlenül hozzáérjen egy fémkerítéshez vagy más kemény tárgyhoz a nyírás közben. A kés eltörik, és komoly sérülést okozhat.
- A sövényvágóval az átnyúlás, különösen egy létráról, különösen veszélyes. Ne dolgozzon semmilyen billegő vagy nem stabil helyről.

**MEGJEGYZÉS:** Ne próbáljon meg 10 mm-nél vastagabb átmérőjű ágakat átvágni a szerszámmal. A szerszám használata előtt egy ágvágó segítségével vágja a vágási magasságnál 10 cm-rel kisebbre az ágakat.

▶ **Ábra9:** (1) Vágási magasság (2) 10 cm

## ⚠ VIGYÁZAT:

- Ne vágjon kiszáradt fákat, vagy más kemény tárgyakat. Ennek figyelmen kívül hagyása a szerszám károsodásához vezet.

Mindkét kezével húzza meg az A és B kioldókapcsolókat, és mozgassa a szerszámot a teste előtt.

▶ **Ábra10**

Alapvető műveletként döntse meg a késeket a nyírás irányában és mozgassa azt nyugodt, lassú tempóban, 3 - 4 másodpercet számítva egy méterre.

▶ **Ábra11:** 1. Nyírási irány 2. Döntse meg a késeket 3. A nyírm kivánt sövényfelület

A sövény tetejének egyenes vágásakor segít, ha egy kötelet feszít ki a kívánt magasságban és ezt referenciavonalnak használva ennek mentén végzi a nyírást.

▶ **Ábra12**

A forgácstálca (tartozék) felszerelése a sövény egyenes vágásakor segít megelőzni a levágott levelek elszóródását.

▶ **Ábra13**

A sövény oldalának egyenletes vágásakor segít, ha alulról felfelé halad a vágással.

▶ **Ábra14**

Puszpáng vagy rododendron nyírásakor alulról felfelé haladva szép megjelenés és jó minőségű munka érhető el.

▶ **Ábra15**

## A forgácstálca (tartozék) felhelyezése és eltávolítása

### ⚠ VIGYÁZAT:

- Minden esetben ellenőrizze, hogy a szerszám ki van kapcsolva és áramtalanítva lett, mielőtt felhelyezi vagy eltávolítja a forgácstálcát.

### MEGJEGYZÉS:

- A forgácstálca felszerelésekor mindig viseljen kesztyűt, hogy a kezei és az arca ne érjenek közvetlenül a késhez. Ennek figyelmen kívül hagyása személyi sérüléshez vezethet.
- Ügyeljen rá, hogy a forgácstálca felszerelése előtt mindig vegye le a késvédőt.
- A forgácstálca összegyűjti a levágott leveleket csökkenti a szétszóródó levelek mennyiségét. Ez a szerszám mindkét oldalára felszerelhető.

▶ **Ábra16:** 1. Nyomja le 2. Forgácstálca 3. Anya 4. Nyírókés

Nyomja rá a forgácstálcát a nyírókésekre úgy, hogy nyílásai átfedjenek a nyírókéseken található anyákkal. Most ellenőrizze, hogy a forgácstálca nem ér az ágfogóhoz a nyírókések felső részén.

▶ **Ábra17:** 1. Anya 2. Ágfogó

Most a forgácstálcát úgy kell felszerelni, hogy az akasztók illeszkedjenek a nyírókés egységen található vajatokba.

▶ **Ábra18:** 1. Akasztók 2. Illesse az akasztókat a vajatba 3. Hornyok

A forgácstálca eltávolításához nyomja le a kart annak két oldalán, hogy az akasztók kioldjanak.

▶ **Ábra19:** 1. Nyomja meg a karokat a két oldalán 2. Oldja ki az akasztókat

### ⚠ VIGYÁZAT:

- A késvédő (standard felszerelés) nem szerelhető fel a szerszámra, ha a forgácsvédő fel van rakva. A szállítás vagy tárolás előtt vegye le a forgácstálcát, majd szerelje fel a késvédőt a kés megvédése érdekében.

### MEGJEGYZÉS:

- A használat előtt ellenőrizze a forgácstálca biztonságos rögzítését.
- Soha ne próbálja túlzott erővel eltávolítani a forgácstálcát, ha az akasztói rögzítve vannak a kés egység vájataiban. A túlzott erő alkalmazása károsíthatja azt.

# KARBANTARTÁS

### ⚠ VIGYÁZAT:

- Mindig bizonyosodjék meg arról hogy a szerszám kikapcsolt és a hálózatra nem csatlakoztatott állapotban van mielőtt a vizsgálatához vagy karbantartásához kezdené.

## A szerszám tisztítása

Tisztítsa meg a szerszámot úgy, hogy letörli a port egy száraz, vagy szappanos vízbe mártott rongydarabbal.

### ⚠ VIGYÁZAT:

- Soha ne használjon gázolajt, benzint, hígítót, alkoholt vagy hasonló anyagokat. Ezek elszíneződést, alakvesztést vagy repedést okozhatnak.

## A kés karbantartása

Kenje meg a kést a használat előtt és közben óránként egyszer gépolajjal, vagy más hasonló rendeltetésű anyaggal. A használat után egy drótkéfével távolítsa el a port a kés mindkét oldaláról, törölje le egy rongydarabbal, majd kenje meg megfelelő mennyiségű alacsony viszkozitású olajjal, mint például gépolajjal, stb. És aeroszolos kenőolajjal.

### ⚠ VIGYÁZAT:

- Ne mossa a késeket vízben. Ennek figyelmen kívül hagyása a szerszám károsodásához vezet.

**MEGJEGYZÉS:** Ha a nyírópengéken kívüli egyéb alkatrész, például a forgattyú elhasználódik, forduljon egy hivatalos Makita szervizközponthoz cserealkatrészért vagy javításért.

## A nyírókés eltávolítása és felszerelése

### **⚠ VIGYÁZAT:**

- A nyírókés eltávolítása vagy felszerelése előtt minden esetben ellenőrizze, hogy a szerszám ki van kapcsolva és áramtalanítva lett.
- A nyírókés cseréjekor mindig viseljen kesztyűt, és ne távolítsa el a késvédőt, hogy a kezei és az arca ne érjenek közvetlenül a késhez. Ennek figyelmen kívül hagyása személyi sérüléshez vezethet.

### **MEGJEGYZÉS:**

- Ne törölje le a zsírt a fogaskerékről és a forgattyúról. Ennek figyelmen kívül hagyása a szerszám károsodásához vezet.
- A nyírókések eltávolításának és felszerelésének speciális módjáról tájékozódjon a kiegészítő nyírókések csomagolásának hátoldaláról.

## A nyírókések eltávolítása

Fordítsa meg a szerszámot és lazítsa meg a négy csavart.

► **Ábra20:** 1. Csavarok 2. Fűrészlapvédő

### **MEGJEGYZÉS:**

- Figyeljen rá, hogy ne koszolja össze a kezeit, mert a nyírókés hajtóterülete be van zsírozva.

Távolítsa el az alsó fedelet.

► **Ábra21:** 1. Alsó fedél 2. Fűrészlapvédő

Távolítsa el a fogaskerékház fedelét.

► **Ábra22:** 1. Fogaskerékház fedele

Egy hasított fejű csavarhúzóval állítsa be a forgattyút bizonyos szögben az ábrán látható módon.

► **Ábra23:** 1. Forgattyú

Távolítsa el a két csavart a nyírókések közül, és a nyírókés egység kivehetővé válik.

► **Ábra24:** 1. Csavarok 2. Nyírókés

### **⚠ VIGYÁZAT:**

- Ha a fogaskerék tévedésből lett leszerelve, azt ugyanúgy kell visszarakni a helyére, ahogy eredetileg fel volt szerelve.

## A nyírókés felszerelése

Készítse elő a 4 eltávolított csavart (az alsó fedélhez), a 2 csavart (a nyírókéshez), a fogaskerékház fedelét, az alsó fedelet és az új nyírókéseket.

Állítsa be a forgattyú pozícióját az ábrán látható módon.

Most tegyen egy kicsit az új nyírókésekhez mellékelte zsrírból a forgattyú szélére.

► **Ábra25:** 1. Forgattyú

Illessze egymáshoz a felső és az alsó kés ovális furatát.

► **Ábra26:** 1. A nyírókés ellipszise

Vegye le a késvédőt a régi késekről és helyezze fel az újakra, hogy azokat könnyen lehessen kezelni a kések cseréjekor.

► **Ábra27**

Helyezze az új nyírókéseket a szerszáma úgy, hogy a nyírókések ovális furatai illeszkedjenek a forgattyúra. Illessze egymáshoz a nyírókések furatait és a szerszám furatait, majd rögzítse egymáshoz őket a két csavarral.

► **Ábra28:** 1. A nyírókés ellipszise 2. Forgattyú

Ellenőrizze a forgattyú egyenletes forgását egy hasított fejű csavarhúzóval.

► **Ábra29:** 1. Forgattyú

Szerelje fel a fogaskerékházat a szerszáma. Erősen húzza meg a csavart.

Távolítsa el a késvédőt és kapcsolja be a szerszámot a megfelelő mozgás ellenőrzéséhez.

### **MEGJEGYZÉS:**

- Ha a nyírókések nem működnek megfelelően, akkor a kések és a forgattyú nem illeszkednek rendesen. Végezze el a műveletet az elejétől.

## Tárolás

A késvédő alsó részén található akasztófurat jól használható a szerszám felakasztásakor egy a falba beütött szögre vagy csavarra.

► **Ábra30**

Helyezze fel a késvédőt a nyírókésekre úgy, hogy a kések ne látsszanak. A szerszámot olyan helyen tárolja, ahol gyerekek nem érhetik el.

A szerszámot olyan helyen tárolja, amely nincs kitéve víznek vagy esőnek.

A termék BIZTONSÁGÁNAK és MEGBÍZHATÓSÁGÁNAK fenntartásához, a javításokat, a szénkefék ellenőrzését és cseréjét, bármilyen egyéb karbantartást vagy beszállítást a Makita Autorizált Szervizközpontoknak kell végrehajtaniuk, mindig Makita pótalkatrészek használatával.

## OPCIONÁLIS KIEGÉSZÍTŐK

### **⚠ VIGYÁZAT:**

- Ezek a tartozékok vagy kellékek ajánlottak az Önnek ebben a kézikönyvben leírt Makita szerszámához. Bármely más tartozék vagy kellék használata személyes veszélyt vagy sérülést jelenthet. A tartozékot vagy kelléket használja csupán annak kifejezett rendeltetésére.

Ha bármilyen segítségre vagy további információkra van szüksége ezekkel a tartozékokkal kapcsolatban, keresse fel a helyi Makita Szervizközpontot.

- Késvédő
- Akasztó készlet
- Nyírókés szerelvény
- Derékkasztó a vezetékhez
- Karakasztó a vezetékhez

### **MEGJEGYZÉS:**

- A listán felsorolt néhány kiegészítő megtalálható az eszköz csomagolásában standard kiegészítőként. Ezek országonként eltérőek lehetnek.

## TECHNICKÉ ÚDAJE

Model	UH4570	UH5570	UH6570
Dĺžka čepele	450 mm	550 mm	650 mm
Ťahy za minútu (min <sup>-1</sup> )	1600	1600	1600
Celková dĺžka	862 mm	970 mm	1042 mm
Hmotnosť netto	3,7 - 3,9 kg	3,7 - 3,9 kg	3,7 - 3,9 kg
Trieda bezpečnosti	□/II		

- Vzhľadom na neustály výskum a vývoj podliehajú technické údaje uvedené v tomto dokumente zmenám bez upozornenia.
- Technické údaje sa môžu pre rôzne krajiny líšiť.
- Hmotnosť sa môže meniť v závislosti od namontovaného príslušenstva. Najľahšia a najťažšia kombinácia v súlade s postupom EPTA 01/2014 je uvedená v tabuľke.

## Symbol

Nižšie sú uvedené symboly, s ktorými sa môžete pri použití nástroja stretnúť. Je dôležité, aby ste ste skôr, než s ním začnete pracovať, pochopili ich význam.



Prečítajte si návod na obsluhu.



DVOJITÁ IZOLÁCIA



Nevystavujte dažďu.



Ak je kábel poškodený alebo prerezaný, okamžite vytiahnite zástrčku zo sieťovej zásuvky.



Len pre štáty EÚ  
Nevyhadzujte elektrické zariadenia do komunálneho odpadu! Podľa európskej smernice o nakladaní s použitými elektrickými a elektronickými zariadeniami a zodpovedajúcich ustanovení právnych predpisov jednotlivých krajín je nutné elektrické zariadenia po skončení ich životnosti triediť a odovzdať na zberné miesto vykonávajúce environmentálne kompatibilné recyklovanie.

## Určené použitie

Toto náradie je určené na strihanie živých plotov.

## Napájanie

Náradie by malo byť pripojené jedine k prívodu elektrickej energie s hodnotou napätia rovnakou, ako je uvedená na štítku s názvom zariadenia, pričom náradie môže byť napájané jedine jednofázovým striedavým prúdom. Je vybavené dvojitou izoláciou a preto sa môže používať pri zapojení do zásuviek bez uzemňovacieho vodiča.

## Hluk

Typická hladina akustického tlaku pri záťaži A určená podľa EN60745-2-15:

Hladina akustického tlaku ( $L_{pA}$ ): 89,9 dB (A)

Hladina akustického výkonu ( $L_{WA}$ ): 97,9 dB (A)

Odchýlka (K): 1,5 dB (A)

**POZNÁMKA:** Deklarovaná hodnota emisií hluku bola meraná podľa štandardnej skúšobnej metódy a môže sa použiť na porovnanie jedného nástroja s druhým.

**POZNÁMKA:** Deklarovaná hodnota emisií hluku sa môže použiť aj na predbežné posúdenie vystavenia ich účinkom.

**VAROVANIE:** Používajte ochranu sluchu.

**VAROVANIE:** Emisie hluku sa môžu počas skutočného používania elektrického nástroja odlišovať od deklarovanej hodnoty, a to v závislosti od spôsobov používania náradia a najmä typu spracúvaného obrobku.

**VAROVANIE:** Nezabudnite označiť bezpečnostné opatrenia s cieľom chrániť obsluhu, a to tie, ktoré sa zakladajú na odhade vystavenia účinkom v rámci reálnych podmienok používania (berúc do úvahy všetky súčasti prevádzkového cyklu, ako sú doby, kedy je nástroj vypnutý a kedy beží bez zaťaženia, ako dodatok k dobe zapnutia).

## Vibrácie

Celková hodnota vibrácií (trojosový vektorový súčet) určená podľa normy EN60745-2-15:

Pracovný režim : sekanie živých plotov

Emisie vibrácií ( $a_h$ ): 6,7 m/s<sup>2</sup>

Odchýlka (K): 1,5 m/s<sup>2</sup>

**POZNÁMKA:** Deklarovaná celková hodnota vibrácií bola meraná podľa štandardnej skúšobnej metódy a môže sa použiť na porovnanie jedného nástroja s druhým.

**POZNÁMKA:** Deklarovaná celková hodnota vibrácií sa môže použiť aj na predbežné posúdenie vystavenia ich účinkom.

**VAROVANIE:** Emisie vibrácií sa môžu počas skutočného používania elektrického nástroja odlišovať od deklarovanej hodnoty, a to v závislosti od spôsobov používania náradia a najmä typu spracúvaného obrobku.

**VAROVANIE:** Nezabudnite označiť bezpečnostné opatrenia s cieľom chrániť obsluhu, a to tie, ktoré sa zakladajú na odhade vystavenia účinkom v rámci reálnych podmienok používania (berúc do úvahy všetky súčasti prevádzkového cyklu, ako sú doby, kedy je nástroj vypnutý a kedy beží bez zaťaženia, ako dodatok k dobe zapnutia).



## Vyhlasenie o zhode ES

### Len pre krajiny Európy

Vyhlasenie o zhode ES sa nachádza v prílohe A tohto návodu na obsluhu.

## Všeobecné bezpečnostné predpisy pre elektronáradie

**⚠️ UPOZORNENIE** Prečítajte si všetky upozornenia a inštrukcie. Nedodržiavanie pokynov a inštrukcií môže mať za následok úraz elektrickým prúdom, požiar alebo vážne zranenie.

**Všetky pokyny a inštrukcie si odložte pre prípad potreby v budúcnosti.**

## BEZPEČNOSTNÉ VÝSTRAHY PRE KROVINOREZ

- Zabráňte tomu, aby sa ktorákoľvek časť tela dostala do dosahu reznej čepele. Počas doby, kedy sa čepele pohybujú, neodstraňujte odrezaný materiál ani materiál, ktorý budete odrezávať nedržte. Počas čistenia zaseknutého materiálu náradie vypnite.** Chvíľa nepozornosti počas obsluhy nožnic na živé ploty môže mať za následok vážne osobné poranenie.
- Nožnice na živé ploty prenášajte držiac ich za rukoväť a pri zastavení reznej čepele. Počas prepravy alebo uskladnenia nožnic na živé ploty vždy nasadte kryt rezného zariadenia.** Správna manipulácia s nožnicami na živé ploty zníži riziko možných osobných poranení zapríčinených reznými čepeľami.
- Elektrické náradie pri práci držte len za izolované úchopné povrchy, lebo rezná čepeľ sa môže dostať do kontaktu so skrytými vodičmi alebo vlastným káblom.** Rezné čepele, ktoré sa dostanú do kontaktu so „živým“ vodičom môžu spôsobiť vystavenie kovových častí elektrického náradia „živému“ prúdu a spôsobí tak obsluhu zasiahnutie elektrickým prúdom.
- Kábel vedte mimo strihanej plochy.** Počas práce sa môže kábel skrýť v kríkoch a môže byť náhodne prerezaný čepeľou.
- Nožnice na živé ploty nepoužívajte počas dažďa alebo v rámci veľmi mokrych podmienok.** Elektrický motor nie je vodotesný.
- Neskúseným užívateľom by mal používanie nožnic na živé ploty ukázať skúsený užívateľ nožnic na živé ploty.**
- Nožnice na živé ploty nesmú používať deti a mladiství do veku 18 rokov. Osoby staršie ako 16 rokov môžu toto obmedzenie obísť, ak podstúpia zaškolenie pod dohľadom odborníka.**
- S nožnicami na živé ploty pracujte len ak ste v dobrom fyzickom stave. Ak ste unavení, vaša pozornosť bude znížená. Zvlášť opatrní buďte na konci pracovného času. Všetky úkony vykonávajte pokojne a dôkladne. Užívateľ je zodpovedný za škody spôsobené tretím stranám.**
- Nikdy nožnice na živé ploty nepoužívajte pod vplyvom alkoholu, drog alebo liekov.**
- Skontrolujte a presvedčte sa, že napätie a kmitočet pre napájanie zodpovedá technickým špecifikáciami uvedeným na identifikačnom štítku. Odporúčame používať prerušovač obvodu fungujúci na zvyškovom prúde (prerušovač obvodu v prípade porušenia uzemnenia) s hodnotou vypínacieho prúdu 30 mA alebo menej, alebo uzemnenú ochranu pred zvodovým prúdom.**
- Pracovné rukavice z hrubej kože predstavujú základné vybavenie pre nožnice na živý plot a pri práci s nimi je nutné tieto ochranné pomôcky vždy používať. Vždy používajte hrubé topánky s podrážkou zabraňujúcou pošmyknutiu.**
- Pred začatím práce skontrolujte, že nožnice na živé ploty sú v dobrom a bezpečnom prevádzkovom stave. Chrániče nasadte správnym spôsobom. Pred začatím práce skontrolujte, či nie je poškodený kábel a v prípade potreby ho vymeňte. Nožnice na živé ploty sa nesmú používať pokiaľ nie sú úplne zmontované.**
- Nedovoľte, aby sa kábel dostal do reznej plochy. Vždy pracujte takým spôsobom, aby bol predlžovací kábel za vami.**
- Ak je kábel poškodený alebo prerezaný, okamžite vytiahnite zástrčku zo sieťovej zásuvky.**
- Pred začatím prevádzky zaujmite bezpečný postoj.**
- Počas používania náradie držte pevne.**
- Nepoužívajte náradie zbytočne bez záťaže.**
- Ak rezná lišta prišla do styku s oplotením alebo iným tvrdým predmetom, okamžite vypnite motor a vytiahnite zástrčku zo zásuvky. Reznú lištu skontrolujte z pohľadu poškodenia; v prípade poškodenia nechajte okamžite opraviť.**
- Pred kontrolou reznej lišty, vykonávaním chyby, alebo v prípade odstraňovania materiálu zachyteného v nožniciach vždy nožnice vypnite a odpojte od prívodu elektrickej energie.**
- Nožnice vypnite a odpojte od prívodu elektrickej energie a zástrčku pred vykonávaním údržby zabezpečte.**
- Počas prenášania nožnic na živé ploty na iné miesto, vrátane prenášania počas vykonávania práce vždy odpojte zástrčku sieťového kábla a na reznú čepeľ nasadte kryt čepele. Nikdy neprenášajte ani neprevádzajte nožnice so spusteným rezným náradím. Rezné náradie nikdy nechytajte rukami.**
- Po použití a pred dlhodobým uskladnením nožnic na živé ploty vyčistite nožnice na živé ploty, a to hlavne ich reznú časť. Reznú lištu zľahka naolejujte a nasadte kryt. Kryt dodaný v s jednotkou je možné zavesiť na stenu, čím dosiahnete bezpečné a praktické uloženie nožnic na živé ploty.**
- Nožnice na živé ploty uskladňujte s nasadeným krytom v suchej miestnosti. Uskladňujte mimo dosahu detí. Nožnice nikdy neuskladňujte vonku.**
- Nepoužívajte nástroj zbytočne bez záťaže.**
- Čepele nožnic nikdy nemerme na seba ani na iných.**
- Ak sa čepele prestanú pohybovať v dôsledku zaseknutia cudzích predmetov medzi čepeľami počas prevádzky, vypnite nástroj, vytiahnite sieťovú zástrčku zo zásuvky a pomocou náradia, ako sú kliešte, odstráňte cudzie predmety.** Ak budete cudzie predmety vyberať rukami, môže dôjsť k ublíženiu na zdraví vzhľadom na skutočnosť, že čepele sa môžu zdvihnúť pri reakcii na odstraňovanie cudzích predmetov.
- Vyhňte sa nebezpečným prostrediam. Náradie nepoužívajte vo vlhkých a mokrych prostrediach ani ho nevystavujte účinkom dažďa. Ak do náradia vnikne voda, zvýši sa tým riziko zasiahnutia elektrickým prúdom.**
- Pred použitím nástroja skontrolujte, či ploty alebo kríky neobsahujú cudzie predmety, ako napríklad drôtené ploty alebo skryté káble.**

## TIETO POKYNY USCHOVAJTE.

**VAROVANIE:** NIKDY nepripustíte, aby pohodlie a dobrá znalosť výrobku (získané opakovaným používaním) nahradili presné dodržiavanie bezpečnostných pravidiel pre náradie. **NESPRÁVNE POUŽÍVANIE alebo nedodržiavanie bezpečnostných pokynov uvedených v tomto návode na obsluhu môže spôsobiť vážne poranenia osôb.**

## POPIS FUNKCIE

### **POZOR:**

- Pred nastavovaním nástroja alebo kontrolou jeho funkcie sa vždy presvedčte, že je vypnutý a vytiahnutý zo zásuvky.

## Zapínanie

► **Obr.1:** 1. Spínač B 2. Spínač A 3. Spínač C

Kvôli vašej vlastnej bezpečnosti je toto náradie vybavené trojnásobným systémom vypínania. Aby ste náradie zapli, stlačte dva z troch spínačov A, B alebo C. Vypnutie vykonáte uvoľnením jedného z dvoch stlačných spínačov. Poradie spínania nie je dôležité, pretože náradie sa spustí jedine v prípade zaktivovania dvoch spínačov.

## Rovný rez

► **Obr.2**

Na vykonávanie priameho rezu potiahnite spínač A a B.

## Vertikálny rez

► **Obr.3**

Režte smerom nahor a oboma rukami ťahajte spínač B a C a pohybujte pred svojím telom

## Rezanie vzdialenejšej plochy

► **Obr.4**

Na strihanie vzdialenejšej plochy živého plota oboma rukami ťahajte spínač A a C.

## MONTÁŽ

### **POZOR:**

- Než začnete na nástroji robiť akékoľvek práce, vždy sa predtým presvedčte, že je vypnutý a vytiahnutý zo zásuvky.

## Zapojenie predlžovacieho kábla

### **POZOR:**

- Presvedčte sa, že zástrčka predlžovacieho kábla nie je zastrčená do sieťovej zásuvky.

► **Obr.5:** 1. Zostava háčikov 2. Predlžovací kábel 3. Kábel náradia

Pri zapájaní predlžovacieho kábla kábel zaistíte ku káblu náradia pomocou zostavy háčikov. Háčik pripojte asi 100 - 200 mm od konektora predlžovacieho kábla. Tým zabránite neočakávanému rozpojeniu.

## Háčik pre pripevnenie kábla k pásu

### **POZOR:**

- Držiak háčika pre pripevnenie kábla k pásu nepripájajte k inému než predlžovaciemu káblu. Nepripájajte ho do polohy, ktorá je bližšie k náradiu a za zostavu háčikov. Opomenutie by mohlo viesť k nehode alebo osobnému poraneniu.
- Jeden hák háčika zostavy háčikov pevne pripojte ku káblu náradia a druhý háčik zostavy háčikov pripojte ku predlžovaciemu káblu. Práca s náradím iba s pripojeným jedným háčikom môže spôsobiť nehodu a poranenie.

Používanie háčika pre pripevnenie kábla k pásu pomáha minimalizovať riziko prerezania predlžovacieho kábla neočakávane spôsobeného uvoľneným predlžovacím káblom.

► **Obr.6:** 1. Háč 2. Náradie 3. Kábel náradia 4. Zostava háčikov 5. Predlžovací kábel 6. Držiak 7. Háčik pre pripevnenie kábla k pásu

Kábel zatlačte alebo pretiahnite cez otvor držiaka.

► **Obr.7:** 1. Držiak 2. Kábel

### **POZOR:**

- Otvor držiaka nenamáhajte. V opačnom prípade môže dôjsť k priehybu a jeho poškodeniu.

## Háčik pre pripevnenie kábla na rameno (Príslušenstvo)

### **POZOR:**

- Držiak háčika pre pripevnenie kábla na rameno nepripájajte k inému než predlžovaciemu káblu. Nepripájajte ho do polohy, ktorá je bližšie k náradiu a za háčiky zostavy háčikov. Opomenutie by mohlo viesť k nehode alebo osobnému poraneniu.
- Jeden hák háčika zostavy háčikov pevne pripojte ku káblu náradia a druhý háčik zostavy háčikov pripojte ku predlžovaciemu káblu. Práca s náradím iba s pripojeným jedným háčikom môže spôsobiť nehodu a poranenie.

Používanie háčika pre pripevnenie kábla na rameno pomáha minimalizovať riziko prerezania predlžovacieho kábla neočakávane spôsobeného uvoľneným predlžovacím káblom.

► **Obr.8:** 1. Držiak 2. Háčik pre pripevnenie kábla na rameno

Háčik pre pripevnenie kábla na rameno pevne pripojte okolo ramena a cez držiak pretiahnite predlžovací kábel. Dĺžka pásika háčika pre pripevnenie kábla na rameno je nastaviteľná.

### **POZNÁMKA:**

- Predlžovací kábel nevedzte cez pásik.
- Otvor držiaka nenamáhajte. V opačnom prípade môže dôjsť k priehybu a jeho poškodeniu.
- Používanie háčika pre pripevnenie kábla na rameno spolu s háčikom pre pripevnenie kábla k pásu je omnoho prospešnejšie.

# PRÁCA

## **▲POZOR:**

- Počas strihania dávajte pozor, aby ste náhodne neprišli do styku s kovovým oplotením alebo ďalšími tvrdými predmetmi. Môže dôjsť k zlomeniu čepele s dôsledkom vážneho poranenia.
- Snaha prekračovať dosah nožnic na živé ploty, a to obzvlášť z rebríka je veľmi nebezpečná. Činnosť strihania nevykonávajte stojac na vratkom a nestabilnom predmete.

**UPOZORNENIE: Nepokúšajte sa s týmto zariadením strihať vetvy hrubšie ako 10 mm v priemere.** Pred použitím tohto zariadenia odstrihnete konáre pomocou nožnic na konáre na dĺžku o 10 cm kratšiu ako výška kosenia.

► **Obr.9:** (1) Výška kosenia (2) 10 cm

## **▲POZOR:**

- Nepoužívajte na odstrihovanie odumretých stromov a podobných tvrdých predmetov. Opomenutie môže viesť k poškodeniu náradia.

Nožnice držte oboma rukami, ťahajte spínač A alebo C a pohybujte nožnicami pred svojím telom.

► **Obr.10**

V rámci bežnej prevádzky skloňte čepele smerom ku smeru strihania a pohybujte nimi pokojne a pomaly, a to pri rýchlosti jeden meter za 3 - 4 sekundy.

► **Obr.11:** 1. Smer strihania 2. Čepele nakloňte 3. Plocha živého plotu, ktorú budete strihať

Na rovné zastrihnutie hornej časti živého plotu pomôže, ak si v požadovanej výške živého plotu natiahnete povraz za strihanie budete vykonávať pozdĺž tohto povrazu, ktorý v tomto prípade predstavuje pomocnú čiaru.

► **Obr.12**

Namontovaním lapača odrezkov (príslušenstvo) na náradie pri strihaní živého plotu priamo zabránite odhadzovaniu odrezkov.

► **Obr.13**

Kvôli rovnému zostrihnutiu živého plotu je dobré, ak budete strihať smerom zdola nahor.

► **Obr.14**

S cieľom dosiahnuť pekný vzhľad a vykonať dobrú prácu, buxusy alebo azalky rododendron strihajte zdola smerom nahor.

► **Obr.15**

## **Montáž alebo demontáž lapača odrezkov (príslušenstvo)**

## **▲POZOR:**

- Vždy sa uistite, že je náradie je pred montážou alebo demontážou lapača odrezkov odpojené od prívodu elektrickej energie.

## **POZNÁMKA:**

- Počas nasadzovania lapača odrezkov vždy používajte rukavice a činnosť vykonávajte tak, aby ruky ani tvár neprišli do priameho styku s čepeľou. V opačnom prípade môže dôjsť k osobnému poraneniu.
- Pred nainštalovaním lapača odrezkov vždy snímte kryt čepele.
- Lapač odrezkov zachytáva odrezané listy a uľahčuje zber orezaného lístia. Môže sa namontovať na ktorúkoľvek stranu náradia.

► **Obr.16:** 1. Tlak 2. Lapač odrezkov 3. Matica 4. Rezná čepeľ

Lapač odrezkov namontujte na reznú čepeľ tak, aby jeho štrbiny prečnievali spolu s maticami nad reznú čepeľ. V tomto štádiu sa presvedčte, že lapač odrezkov sa nedotýka zachytávača vetví na konci rezných čepeľí.

► **Obr.17:** 1. Matica 2. Zachytávač vetví

Teraz je potrebné lapač odrezkov nainštalovať tak, aby jeho háčiky zapadli do drážok v jednotke reznej čepele.

► **Obr.18:** 1. Háčiky 2. Nasadíte háčiky do drážky 3. Žliabky

Demontáž lapača odrezkov vykonáte tak, že stlačíte páčku na oboch stranách, čím dôjde k odblokovaniu háčikov.

► **Obr.19:** 1. Stlačte páčky na oboch stranách 2. Odblokujte háčiky

## **▲POZOR:**

- Kryt čepele (štandardná výbava) nemožno nainštalovať na náradie, na ktorom je nainštalovaný lapač odrezkov. Pred prenášaním alebo uskladnením demontujte najprv lapač odrezkov a následne namontujte kryt čepele, čím zabránite vystaveniu čepele účinkom prostredia.

## **POZNÁMKA:**

- Pred použitím skontrolujte bezpečné namontovanie lapača odrezkov.
- Nikdy sa nepokúšajte lapač odrezkov demontovať vyvíjaním nadmernej sily na háčiky zablokované v drážkach jednotky čepele. Vyvíjaním nadmernej sily môže dôjsť k poškodeniu.

# ÚDRŽBA

## **▲POZOR:**

- Než začnete robiť kontrolu alebo údržbu nástroja, vždy se presvedčte, že je vypnutý a vytiahnutý zo zásuvky.

## **Čistenie náradia**

Náradie čistíte poutieraním prachu pomocou suchej, alebo v saponátovom roztoku namočenej handry.

## **▲POZOR:**

- Nepoužívajte benzín, riedidlo, alkohol ani nič podobné. Mohlo by to spôsobiť zmenu farby, deformácie alebo praskliny.

## Údržba čepele

Čepeľ pred a raz za hodinu počas prevádzky namažte motorovým olejom alebo podobnou látkou.

Po dokončení prevádzky odstráňte pomocou drôtenej kefy prach z oboch strán čepele, utrite ju handrou a namažte dostatočným množstvom oleja nízkej viskozity, ako je motorový olej a pod. a nastriekaním naneste mazací olej.

### **▲POZOR:**

- Čepeľ neumývajte vo vode. Opomenutie môže viesť k hrdzaveniu alebo k poškodeniu náradia.

**UPOZORNENIE: Ak dôjde k opotrebovaniu iných dielov, ako sú čepele nožnic, napr. kľuka, požiadajte autorizované servisné strediská spoločnosti Makita o náhradné diely či opravu.**

## Demontáž a montáž reznej čepele

### **▲POZOR:**

- Pred demontážou a montážou reznej čepele sa vždy presvedčte, že náradie je odpojené od prívodu elektrickej energie.
- Počas nasadzovania reznej čepele vždy používajte rukavice, nesnímajte kryt čepele a činnosť vykonávajte tak, aby ruky ani tvár neprišli do priameho styku s čepeľou. V opačnom prípade môže dôjsť k osobnému poraneniu.

### **POZNÁMKA:**

- Z prevodov a z kľuky neodstraňujte mazivo. V opačnom prípade môže dôjsť k poškodeniu náradia.
- Špecifický spôsob demontáže a montáže rezných čepeľí nájdete na zadnej strane balenia prídavných rezných čepeľí.

## Demontáž rezných čepeľí

Otočte náradie a uvoľnite štyri skrutky.

► **Obr.20:** 1. Skrutky 2. Kryt čepele

### **POZNÁMKA:**

- Dávajte pozor, aby ste nezašpinili, pretože na ploche s prevodmi reznej čepele je nanesené mazivo.

Snímate spodný kryt.

► **Obr.21:** 1. Spodný kryt 2. Kryt čepele

Demontujte kryt prevodovej skrine.

► **Obr.22:** 1. Kryt prevodovej skrine

Kľuku nastavte do uhla podľa obrázka a použite pritom drážkový skrutkovač.

► **Obr.23:** 1. Kľuka

Z rezných čepeľí odskrutkujte dve skrutky, čím dokážete jednotku reznej čepele vybrať von.

► **Obr.24:** 1. Skrutky 2. Rezná čepeľ

### **▲POZOR:**

- V prípade náhodného demontovania pohon vráťte do pôvodnej polohy takým spôsobom, ako bol nainštalovaný.

## Montáž reznej čepele

Pripravte si 4 odskrutkované skrutky (pre spodný kryt), 2 skrutky (pre reznú čepeľ) kryt prevodovej skrine, spodný kryt a nové rezné čepele.

Nastavte polohu kľuky tak, ako je to zobrazené na obrázku. V tomto štádiu naneste na okraj kľuky trochu maziva, ktoré je dodávané s novými reznými čepeľami.

► **Obr.25:** 1. Kľuka

Prekryte oválny otvor v hornej čepeľi s otvorom na dolnej.

► **Obr.26:** 1. Elipsa reznej čepele

Stiahnite kryt čepele zo starých rezných čepeľí a nasadte ho na nové s cieľom zabezpečiť jednoduchú manipuláciu počas nasadzovania čepele.

► **Obr.27**

Nové rezné čepele nasadte na náradie tak, aby oválne otvory v rezných čepeľiach zapadli na kľuku. Prekryte otvory v rezných čepeľiach s otvormi na náradí určenými pre skrutky a zaistite ich pomocou dvoch skrutiek.

► **Obr.28:** 1. Elipsa reznej čepele 2. Kľuka

Pomocou drážkového skrutkovača skontrolujte ľahké otáčanie kľuky.

► **Obr.29:** 1. Kľuka

Na náradie nasadte kryt prevodovej skrine a spodný kryt. Skrutky pevne dotiahnite.

Snímate kryt čepele a následne zapnite náradie s cieľom overiť jeho správny pohyb.

### **POZNÁMKA:**

- Pokiaľ rezné čepele nefungujú správne, čepele nie sú dobre nasadené na kľuke. Zopakujte postup od začiatku.

## Uskladnenie

Otvor pre hák v spodnej časti krytu čepele je vhodný na zavesenie náradia do klince alebo skrutku v stene.

► **Obr.30**

Kryt čepele nasadte na reznú čepeľ tak, aby čepele neboli odhalené. Náradie bezpečne uskladnite mimo dosahu detí.

Náradie uskladnite na mieste, ktoré nie je vystavené účinkom dažďa ani vody.

Kvôli zachovaniu BEZPEČNOSTI a SPOL'AHLIVOSTI výrobku musia byť opravy, kontrola a výmena uhlíkov a akákoľvek ďalšia údržba či nastavovanie robené autorizovanými servisnými strediskami firmy Makita a s použitím náhradných dielov Makita.

# VOLITEĽNÉ PRÍSLUŠENSTVO

## **⚠ POZOR:**

- Pre váš nástroj Makita, opísaný v tomto návode, doporučujeme používať toto príslušenstvo a nástavce. Pri použití iného príslušenstva či nástavcov môže hroziť nebezpečenstvo zranenia osôb. Príslušenstvo a nástavce sa môžu používať len na účely pre ne stanovené.

Ak potrebujete bližšie informácie týkajúce sa tohoto príslušenstva, obráťte sa na vaše miestne servisné stredisko firmy Makita.

- Kryt čepele
- Zostava háčikov
- Zostava reznej čepele
- Háčik pre pripevnenie kábla k pásu
- Háčik pre pripevnenie kábla na rameno

## **POZNÁMKA:**

- Niektoré položky zo zoznamu môžu byť súčasťou balenia náradia vo forme štandardného príslušenstva. Rozsah týchto položiek môže byť v každej krajine odlišný.






## TECHNICKÉ ÚDAJE

Model	UH4570	UH5570	UH6570
Délka čepele	450 mm	550 mm	650 mm
Počet zdvihů za minutu (min <sup>-1</sup> )	1 600	1 600	1 600
Celková délka	862 mm	970 mm	1 042 mm
Hmotnost netto	3,7 - 3,9 kg	3,7 - 3,9 kg	3,7 - 3,9 kg
Třída bezpečnosti	□/II		

- Vzhledem k neustálému výzkumu a vývoji podléhají zde uvedené specifikace změnám bez upozornění.
- Specifikace se mohou pro různé země lišit.
- Hmotnost se může lišit v závislosti na příslušenství. Nejlehčí a nejtěžší kombinace, dle EPTA-Procedure 01/2014, jsou uvedeny v tabulce níže.

## Symbol

Níže jsou uvedeny symboly, se kterými se můžete při použití nástroje setkat. Je důležité, abyste dříve, než s ním začnete pracovat, pochopili jejich význam.

	Přičtete si návod k obsluze.
	DVOJITÁ IZOLACE
	Nevystavujte nástroj dešti.
	Jestliže je kabel poškozený nebo pořezaný, vytáhněte okamžitě zástrčku ze zásuvky.
	Pouze pro země EU Elektrické nářadí nevyhazujte do komunálního odpadu! Podle evropské směrnice o odpadních elektrických a elektronických zařízeních včetně její implementace v souladu s národními zákony musí být elektrické zařízení po skončení životnosti shromážděno odděleně a předáno do ekologického recyklačního zařízení.

## Určení nástroje

Nástroj je určen k zastřihování živých plotů.

### Napájení

Zařízení je třeba připojit pouze k napájení se stejným napětím, jaké je uvedeno na výrobním štítku a může být provozováno pouze v jednofázovém napájecím okruhu se střídavým napětím. Nářadí je vybaveno dvojitou izolací a může být tedy připojeno i k zásuvkám bez zemnicího vodiče.

### Hlučnost

Typická vážená hladina hluku (A) určená podle normy EN60745-2-15:

Hladina akustického tlaku ( $L_{pA}$ ): 89,9 dB (A)

Hladina akustického výkonu ( $L_{WA}$ ): 97,9 dB (A)

Nejistota (K): 1,5 dB (A)

**POZNÁMKA:** Celková(é) hodnota(y) emisí hluku byla(y) změněna(y) v souladu se standardní zkušební metodou a dá se použít k porovnání nářadí mezi sebou.

**POZNÁMKA:** Hodnotu(y) deklarovaných emisí hluku lze také použít k předběžnému posouzení míry expozice vibracím.

**VAROVÁNÍ:** Používejte ochranu sluchu.

**VAROVÁNÍ:** Emise hluku se při používání elektrického nářadí ve skutečnosti mohou od deklarované(y) hodnot(y) lišit v závislosti na způsobech použití nářadí.

**VAROVÁNÍ:** Nezapomeňte stanovit bezpečnostní opatření na ochranu obsluhy podle odhadu expozice ve skutečných podmínkách použití. (Vezměte přitom v úvahu všechny části provozního cyklu, tj. kromě doby zátěže například doby, kdy je nářadí vypnuté a kdy běží naprázdno.)

## Vibrace

Celková hodnota vibrací (vektorový součet tří os) určená podle normy EN60745-2-15:

Pracovní režim: zastřihování živých plotů

Emise vibrací ( $a_{h1}$ ): 6,7 m/s<sup>2</sup>

Nejistota (K): 1,5 m/s<sup>2</sup>

**POZNÁMKA:** Celková(é) hodnota(y) deklarovaných vibrací byla(y) změněna(y) v souladu se standardní zkušební metodou a dá se použít k porovnání nářadí mezi sebou.

**POZNÁMKA:** Celkovou(é) hodnotu(y) deklarovaných vibrací lze také použít k předběžnému posouzení míry expozice vibracím.

**VAROVÁNÍ:** Emise vibrací se při používání elektrického nářadí ve skutečnosti mohou od deklarované(y) hodnot(y) lišit v závislosti na způsobech použití nářadí.

**VAROVÁNÍ:** Nezapomeňte stanovit bezpečnostní opatření na ochranu obsluhy podle odhadu expozice ve skutečných podmínkách použití. (Vezměte přitom v úvahu všechny části provozního cyklu, tj. kromě doby zátěže například doby, kdy je nářadí vypnuté a kdy běží naprázdno.)

## Prohlášení ES o shodě

### Pouze pro evropské země

Prohlášení ES o shodě je obsaženo v Příloze A tohoto návodu k obsluze.

## Obecná bezpečnostní upozornění k elektrickému nářadí

**⚠️ UPOZORNĚNÍ** Přečtěte si všechna bezpečnostní upozornění a pokyny. Při nedodržení upozornění a pokynů může dojít k úrazu elektrickým proudem, požáru nebo vážnému zranění.

**Všechna upozornění a pokyny si uschovejte pro budoucí potřebu.**

## BEZPEČNOSTNÍ UPOZORNĚNÍ NŮŽKÁM NA ŽIVÉ PLOTY

1. **Udržujte všechny části těla v bezpečné vzdálenosti od nožů. Neodstraňujte stříhaný materiál a nedržte materiál, když se nože pohybují. Při odstraňování uvíznutého materiálu musí být spoušť vypnuta.** Chvilé nepozornosti při používání zastříhovače může mít za následek vážné zranění.
2. **Při přenášení držte zastříhovač za rukojeť a nechte jej vypnutý. Při přepravě a skladování zastříhovače na nože vždy nasadte kryt.** Správnou manipulací se zastříhovačem snížíte riziko zranění noží.
3. **Elektrické nářadí držte pouze za izolované části držadel, neboť nože zařízení mohou přijít do kontaktu se skrytým elektrickým vedením nebo s vlastním napájecím kabelem.** Při kontaktu nožů s vodičem pod napětím se může proud přenést do nechráněných kovových částí nářadí a obsluha může utrpět úraz elektrickým proudem.
4. **Udržujte kabel v bezpečné vzdálenosti od místa, kde stříháte.** Během používání se může kabel schovat v křoví a může být nechtěně přestřížen.
5. **Nepoužívejte zastříhovač v dešti ani v mokřem nebo velice vlhkém prostředí.** Elektrický motor není voděodolný.
6. **Uživatelé, kteří používají zastříhovač poprvé, by měli požádat o radu k používání zkušené uživatele.**
7. **Zastříhovač nesmí používat děti a osoby mladší 18 let. Mladiství starší 16 let mohou být tohoto omezení zproštěni, pokud pod dohledem odborníka absolvují školení.**
8. **Zastříhovač obsluhujte pouze tehdy, jste-li v dobrém fyzickém stavu. Únava vede ke snížení pozornosti. Opatrní buďte zejména na konci pracovního dne. Veškerou práci provádějte klidně a opatrně. Uživatel je zodpovědný za všechny škody způsobené třetím stranám.**
9. **Nikdy nepoužívejte zastříhovač pod vlivem alkoholu, drog nebo léků.**
10. **Zkontrolujte, zda napětí a frekvence napájení odpovídá údajům na výrobním štítku. Doporučujeme používat proudový chránič ovládaný zbytkovým proudem (přerušovač obvodu při zkratu na uzemnění) s vypínacím proudem 30 mA nebo menším nebo ochranný jistič.**
11. **Mezi základním vybavením zastříhovače jsou silné kožené rukavice, které je nutné při práci vždy používat. Používejte také pevnou obuv s protiskluzovou podrážkou.**
12. **Před zahájením práce zkontrolujte, zda je zastříhovač v dobrém stavu umožňujícím bezpečné používání. Zkontrolujte, zda jsou správně nainstalovány kryty. Před zahájením práce zkontrolujte, zda není poškozen kabel, a v případě potřeby jej vyměňte. Zastříhovač nesmí být používán, pokud není kompletní.**
13. **Udržujte kabel v bezpečné vzdálenosti od místa, kde stříháte. Vždy pracujte takovým způsobem, aby byl prodlužovací kabel za vámi.**
14. **Pokud je kabel poškozen nebo přestřížen, okamžitě vytáhněte zástrčku ze zásuvky.**
15. **Před zahájením práce se ujistěte, že máte prostor pro stabilní postoj.**
16. **Při práci držte nástroj pevně.**
17. **Nářadí nespouštějte zbytečně naprázdno.**
18. **Pokud se zastříhovač dostane do kontaktu s plotem nebo jiným tvrdým objektem, okamžitě vypněte motor a vytáhněte zástrčku ze zásuvky. Zkontrolujte, zda není zastříhovač poškozen, a je-li poškozen, okamžitě jej opravte.**
19. **Před kontrolou zastříhovače, opravováním závad nebo odstraňováním materiálu zachyceného v zastříhovači vždy zastříhovač vypněte a vytáhněte zástrčku ze zásuvky.**
20. **Před prováděním údržby zastříhovač vypněte a odpojte od zásuvky a zajistěte zástrčku.**
21. **Při přenášení zařízení na jiné místo (i při práci) vždy odpojte napájecí kabel ze zásuvky a na stříhací nože nasadte kryt. Zastříhovač nikdy nepřenášejte ani nepřepažte zapnuté. Zastříhovač nikdy neberte do rukou za nože.**
22. **Po použití a před dlouhodobějším skladováním zastříhovač očistěte - zejména nože. Naolejujte nože a nasadte kryt. Kryt dodaný s přístrojem lze pověsit na zeď a zastříhovač tak lze bezpečně a prakticky skladovat.**
23. **Skladujte zastříhovač s nasazeným krytem v suché místnosti. Uchovávejte jej mimo dosah dětí. Nikdy zastříhovač neskladujte venku.**
24. **Neprovazujte nástroj zbytečně bez zatížení.**
25. **Nikdy nemířte stříhacími noži na sebe nebo jiné osoby.**
26. **Jestliže se nože přestanou pohybovat, protože za provozu uvíznou mezi noži cizí předměty, vypněte nářadí a vytáhněte zástrčku ze síťové zásuvky; poté odstraňte cizí předměty pomocí vhodného nářadí (například kleští). Odstraňování cizích předmětů rukou může mít za následek úrazu, protože nože se mohou pohnout v reakci na odstraňování cizích předmětů.**
27. **Nepracujte v nebezpečném prostředí. Nářadí nepoužívejte na vlhkých či mokřích místech a nevystavujte je dešti. Vnikne-li do nářadí voda, zvýší se nebezpečí úrazu elektrickým proudem.**
28. **Před prací s nářadím zkontrolujte, zda živé ploty a křoviny neskrývají cizí předměty, například drátěné ploty nebo elektrické vedení.**

## TYTO POKYNY USCHOVEJTE.

**⚠️ VAROVÁNÍ: NEDOVOLTE, aby pohodlnost nebo pocit znalosti výrobku (získaný na základě opakovaného používání) vedly k zanedbání dodržování bezpečnostních pravidel platných pro tento výrobek. NESPRÁVNÉ POUŽÍVÁNÍ nebo nedodržení bezpečnostních pravidel uvedených v tomto návodu k obsluze může způsobit vážné zranění.**

## POPIS FUNKCE

### ⚠ UPOZORNĚNÍ:

- Před nastavováním nástroje nebo kontrolou jeho funkce se vždy přesvědčte, že je vypnutý a vytažený ze zásuvky.

## Zapínání

► **Obr.1:** 1. Spínač B 2. Spínač A 3. Spínač C

Kvůli bezpečnosti je tento nástroj vybaven trojitým spínacím systémem. Chcete-li nástroj zapnout, stiskněte dva ze tří spínačů A, B a C. Uvolněním jednoho ze stisknutých spínačů nástroj vypnete. Pořadí sepnutí není důležité, protože nástroj se zapne jen tehdy, jsou-li stisknuty oba spínače.

## Vodorovné stříhání

► **Obr.2**

Při vodorovném stříhání stiskněte spínače A a B.

## Svislé stříhání

► **Obr.3**

Při obouručním stříhání ve svislém směru stiskněte spínače B a C a pohybujte nástrojem před sebou.

## Stříhání vzdálených míst

► **Obr.4**

Při obouručním stříhání vzdálených míst živého plotu stiskněte spínače A a C.

## MONTÁŽ

### ⚠ UPOZORNĚNÍ:

- Než začnete na nástroji provádět jakékoliv práce, vždy se předtím přesvědčte, že je vypnutý a vytažený ze zásuvky.

## Zajištění prodlužovacího kabelu

### ⚠ UPOZORNĚNÍ:

- Zkontrolujte, zda je prodlužovací kabel odpojen od zásuvky.

► **Obr.5:** 1. Háček 2. Prodlužovací kabel 3. Kabel nástroje

Při zajišťování prodlužovacího kabelu jej připojte ke kabelu nástroje s háčkem. Připojte háček přibližně 100 až 200 mm od konektoru prodlužovacího kabelu. Zabráňte tak nechtěnému odpojení.

## Kabelový háček na pásek

### ⚠ UPOZORNĚNÍ:

- Nepřipojujte držák kabelového háčku na pásek k ničemu jinému než k prodlužovacímu kabelu. Neumístujte kabelový háček na ruku příliš blízko k háčku na pásek. V opačném případě může dojít k nehodě nebo zranění.
- Jednu část háčku upevněte ke kabelu nástroje a druhou část k prodlužovacímu kabelu. Při práci jen s jednou částí háčku může dojít k nehodě a zranění.

Při používání kabelového háčku na pásek se snižuje riziko přestřihnutí prodlužovacího kabelu, který by byl jinak volný.

► **Obr.6:** 1. Háček 2. Nástroj 3. Kabel nástroje 4. Háček 5. Prodlužovací kabel 6. Držák 7. Kabelový háček na pásek

Protáhněte kabel přes otvor v držáku.

► **Obr.7:** 1. Držák 2. Kabel

### ⚠ UPOZORNĚNÍ:

- Nepoužívejte na otvor držáku sílu. V opačném případě může dojít k jeho deformaci nebo poškození.

## Kabelový háček na ruku (příslušenství)

### ⚠ UPOZORNĚNÍ:

- Nepřipojujte držák kabelového háčku na ruku k ničemu jinému než k prodlužovacímu kabelu. Neumístujte kabelový háček na ruku příliš blízko k háčku na pásek. V opačném případě může dojít k nehodě nebo zranění.
- Jednu část háčku upevněte ke kabelu nástroje a druhou část k prodlužovacímu kabelu. Při práci jen s jednou částí háčku může dojít k nehodě a zranění.

Při používání kabelového háčku na ruku se snižuje riziko přestřihnutí prodlužovacího kabelu, který by byl jinak volný.

► **Obr.8:** 1. Držák 2. Kabelový háček na ruku

Upevněte kabelový háček na ruku okolo své paže a protáhněte prodlužovací kabel přes držák. Délku popruhu háčku lze upravit.

### POZNÁMKA:

- Neprotahujte prodlužovací kabel přes popruh.
- Nepoužívejte na otvor držáku sílu. V opačném případě může dojít k jeho deformaci nebo poškození.
- Kabelový háček na ruku a háček na pásek lze prakticky používat dohromady.



# PRÁCE

## ⚠️ UPOZORNĚNÍ:

- Při stříhání dávejte pozor, abyste omylem nezasáhli kovový plot nebo jiné tvrdé objekty. Nože se mohou rozbit a způsobit vážné zranění.
- Přesahování zastříhovačem, zejména ze žebříku, je velice nebezpečné. Při práci nestůjte na kymácejícím se nebo jinak nestabilním povrchu.

**POZOR: Nestříhejte s tímto nářadím větve silnější než 10 mm v průměru.** Před použitím tohoto nářadí odstříhnete větve 10 cm pod úroveň výšky sečení pomocí nůžek na větve.

► **Obr.9:** (1) Výška sečení (2) 10 cm

## ⚠️ UPOZORNĚNÍ:

- Nestříhejte uschlé stromy ani podobné tvrdé objekty. V opačném případě může dojít k poškození nástroje.

Držte zastříhovač oběma rukama, stiskněte spínač A a B a pohybujte nástrojem před sebou.

► **Obr.10**

Při stříhání nakloňte čepel ve směru stříhání a pomalu postupujte tak, abyste přes metr délky přešli za 3 až 4 sekundy.

► **Obr.11:** 1. Směr stříhání 2. Nakloňte čepel 3. Stříhaný povrch živého plotu

Abyste zastříhli horní část živého plotu rovnoměrně, můžete napnout provázek v požadované cílové výšce a při stříhání se řídit podle tohoto provázku.

► **Obr.12**

Připojte-li k nářadí sběrač odřezků (příslušenství), zamezíte při vodorovném stříhání odlétávání odstřížků.

► **Obr.13**

K dosažení rovnoměrného svislého zástříhu je vhodné stříhat zdola nahoru.

► **Obr.14**

Zimostráz a rododendron stříhejte odzola nahoru, dosáhnete tak pěkného výsledku.

► **Obr.15**

## Montáž a demontáž sběrače třísek (příslušenství)

### ⚠️ UPOZORNĚNÍ:

- Před montáží a demontáží sběrače třísek se vždy přesvědčte, zda je nástroj vypnutý a odpojený od elektrické sítě.

### POZNÁMKA:

- Při nasazování sběrače třísek vždy používejte rukavice, aby nedošlo k přímému kontaktu nožů s rukama. V opačném případě může dojít ke zranění.
- Před instalací sběrače třísek vždy sundejte kryt nožů.
- Sběrač třísek zachycuje odstříhnuté listy a usnadňuje jeho sběr. Lze jej nainstalovat na obou stranách nástroje.

- **Obr.16:** 1. Stisknout 2. Sběrač třísek 3. Matice 4. Čepel

Nasadte sběrač třísek na nože, aby jeho drážky přesahovaly matice na nožích. Zkontrolujte, zda se sběrač třísek nedotýká zachytávače větvi na vrcholu nožů.

► **Obr.17:** 1. Matice 2. Zachytávač větvi

Sběrač třísek musí být nainstalován tak, aby jeho úchyty zapadly do drážek na čepeli.

► **Obr.18:** 1. Úchyty 2. Nasadte úchyty do drážky 3. Drážky

Chcete-li sběrač třísek sundat, stiskněte páčku na obou stranách, aby se uvolnily úchyty.

► **Obr.19:** 1. Stiskněte páčky po obou stranách 2. Uvolněte úchyty

## ⚠️ UPOZORNĚNÍ:

- Kryt nožů (standardní vybavení) nelze nasadit na nástroj, když je nainstalován sběrač třísek. Před přenášením nebo skladováním demontujte sběrač třísek a potom nasadte kryt nožů, aby nebyly nože odkryty.

## POZNÁMKA:

- Před použitím zkontrolujte, zda je sběrač třísek nainstalován pevně.
- Nepoužívejte při demontáži sběrače třísek příliš velkou sílu, když jsou úchyty zachyceny v drážkách na čepeli. Při použití příliš velké síly může dojít k jeho poškození.

# ÚDRŽBA

## ⚠️ UPOZORNĚNÍ:

- Než začnete provádět kontrolu nebo údržbu nástroje, vždy se přesvědčte, že je vypnutý a vytažený ze zásuvky.

## Čištění nástroje

Nástroj očistěte setřením prachu suchým nebo mýdlové vodě navlhčeným hadříkem.

## ⚠️ UPOZORNĚNÍ:

- Nikdy nepoužívejte benzín, benzen, ředidlo, alkohol či podobné prostředky. Mohlo by tak dojít ke změnám barvy, deformacím či vzniku prasklin.

## Údržba nožů

Před použitím a jednou za hodinu během práce namažte nože strojním olejem nebo podobným mazivem.

Po použití odstraňte prach z obou stran nožů drátěným kartáčem, otřete je hadříkem a potom naneste olej s nízkou viskozitou, například strojní olej, a mazací olej ve spreji.

## ⚠️ UPOZORNĚNÍ:

- Nemyjte nože ve vodě. V opačném případě může dojít ke korozi nebo poškození nástroje.

**POZOR:** Jestliže jsou nějaké části kromě stříhacích nožů, například hřídel, opotřebované, požádejte autorizované servisní centrum Makita o náhradní díly nebo opravu.

## Demontáž a montáž čepele

### **⚠ UPOZORNĚNÍ:**

- Před montáží a demontáží čepele se vždy přesvědčte, zda je nástroj vypnutý a odpojený od elektrické sítě.
- Při nasazování čepele vždy používejte rukavice a nesundávejte kryt nožů, aby nedošlo k přímému kontaktu nožů s rukama. V opačném případě může dojít ke zranění.

### **POZNÁMKA:**

- Nestírejte mazivo z převodovky ani kliky. V opačném případě může dojít k poškození nástroje.
- Přesný postup pro demontáž a montáž čepele naleznete na zadní straně obalu čepele.

## Demontáž čepele

Otočte nástroj a uvolněte čtyři šrouby.

► **Obr.20:** 1. Šrouby 2. Kryt kotouče

### **POZNÁMKA:**

- Dávejte pozor, abyste se neušpinili mazivem, které se nachází v okolí pohonu čepele.

Demontujte dolní kryt.

► **Obr.21:** 1. Dolní kryt 2. Kryt kotouče

Demontujte kryt skříně převodovky.

► **Obr.22:** 1. Kryt skříně převodovky

Šroubovákem nastavte kliku do úhlu uvedeného na obrázku.

► **Obr.23:** 1. Klika

Vyšroubujte dva šrouby z čepele a čepel bude možné vyndat.

► **Obr.24:** 1. Šrouby 2. Čepel

### **⚠ UPOZORNĚNÍ:**

- Pokud se převodovka omylem přemístí, vraťte ji do původní polohy, ve které byla nainstalována.

## Montáž čepele

Připravte si 4 vyšroubované šrouby (pro dolní kryt), 2 šrouby (pro čepel), kryt skříně převodovky, dolní kryt a novou čepel.

Nastavte polohu kliky podle obrázku. Naneste do okolí kliky mazivo dodané s novou čepelí.

► **Obr.25:** 1. Klika

Zarovnejte oválný otvor v horní čepeli s otvorem v té dolní.

► **Obr.26:** 1. Elipsa čepele

Sundejte kryt nožů ze staré čepele a nasadte jej na novou čepel, aby byla manipulace při montáži jednodušší.

► **Obr.27**

Nasadte novou čepel na nástroj tak, aby oválné otvory na čepeli zapadly na kliku. Zarovnejte otvory v čepeli s otvory pro šrouby na nástroji a potom zašroubujte dva šrouby.

► **Obr.28:** 1. Elipsa čepele 2. Klika

Zkontrolujte šroubovákem, zda se kliky volně otáčejí.

► **Obr.29:** 1. Klika

Upevněte na nástroj spodní kryt skříně převodovky. Pevně utáhněte šroub.

Sundejte kryt nožů a potom zapněte nástroj, abyste zkontrolovali správný pohyb.

### **POZNÁMKA:**

- Pokud čepel nefunguje správně, spojení mezi klikou a čepelí není dobré. Opakujte celý postup od začátku.

## Skladování

Otvor v dolní části krytu nožů je vhodný pro pověšení nástroje na háček na zdi.

► **Obr.30**

Nasadte kryt nožů na čepel, aby nebyly nože odkryty. Uchovávejte nástroj mimo dosah dětí.

Uchovávejte nástroj na místě, kde nebude vystaven vodě ani dešti.

Kvůli zachování BEZPEČNOSTI a SPOLEHLIVOSTI výrobku musí být opravy, kontrola a výměna uhlíků a veškerá další údržba či sezizování prováděny autorizovanými servisními středisky firmy Makita a s použitím náhradních dílů Makita.

## VOLITELNÉ PŘÍSLUŠENSTVÍ

### **⚠ UPOZORNĚNÍ:**

- Pro váš nástroj Makita, popsany v tomto návodu, doporučujeme používat toto příslušenství a nástavce. Při použití jiného příslušenství či nástavců může hrozit nebezpečí zranění osob. Příslušenství a nástavce lze používat pouze pro jejich stanovené účely.

Potřebujete-li bližší informace ohledně tohoto příslušenství, obraťte se na vaše místní servisní středisko firmy Makita.

- Kryt nožů
- Háček
- Čepel
- Kabelový háček na pásek
- Kabelový háček na ruku

### **POZNÁMKA:**

- Některé položky seznamu mohou být k zařazení přibaleny jako standardní příslušenství. Přibalené příslušenství se může v různých zemích lišit.



**Makita Europe N.V.** Jan-Baptist Vinkstraat 2,  
3070 Kortenberg, Belgium

**Makita Corporation** 3-11-8, Sumiyoshi-cho,  
Anjo, Aichi 446-8502 Japan

[www.makita.com](http://www.makita.com)

884840H975 EN, UK, PL, RO, DE, HU, SK, CS 20200107
---