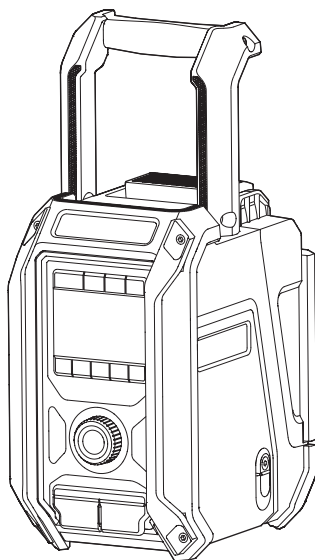
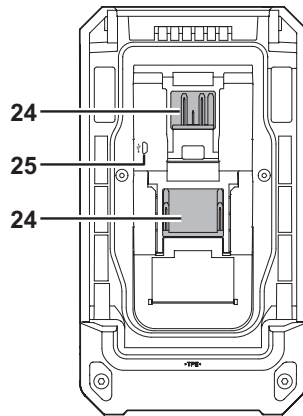
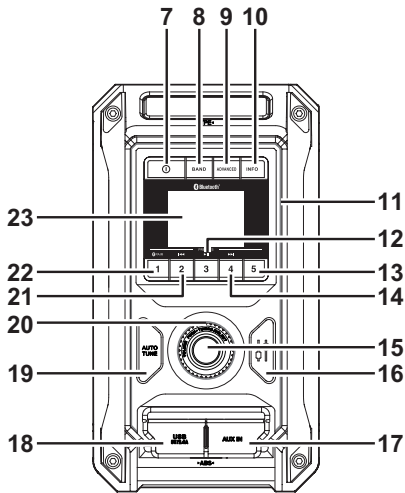
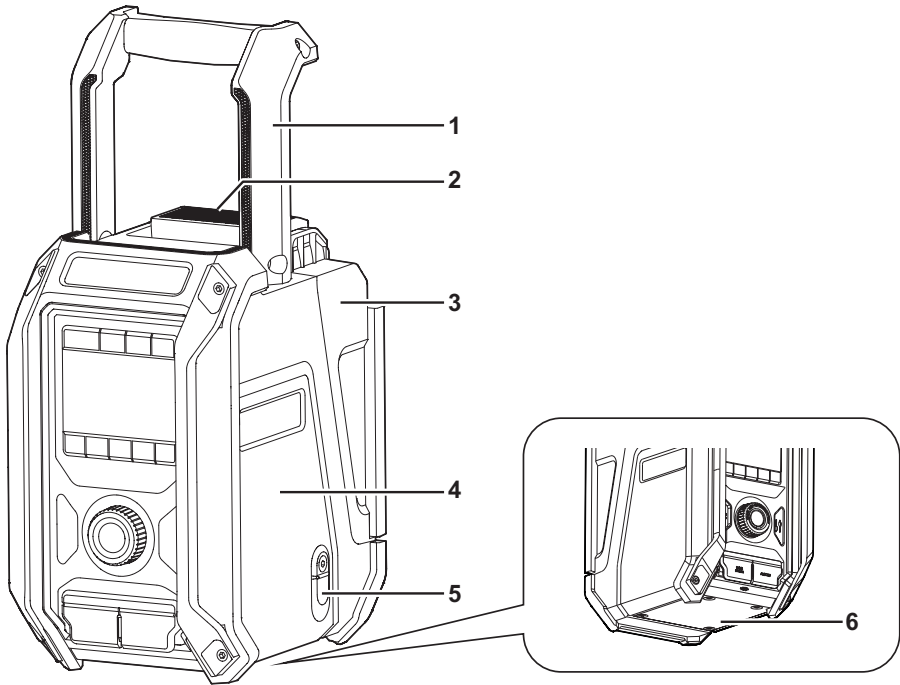


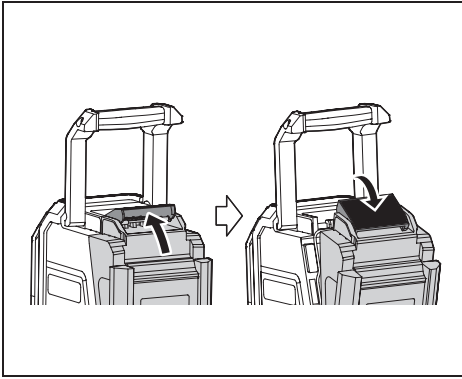


EN	Job Site Radio	Instruction manual	4
PL	Akumulatorowy odbiornik radiowy	Instrukcja obsługi	15
HU	Munkahelyi rádió	Használati utasítás	27
SK	Pracovné rádio	Návod na obsluhu	39
CS	Pracovní rádio	Návod k obsluze	50
UK	Радіоприймач для використання на робочому місці	Інструкція з експлуатації	61
RO	Radio pentru locul de lucru	Manual de instrucțiuni	74
DE	Baustellenradio	Betriebsanleitung	85

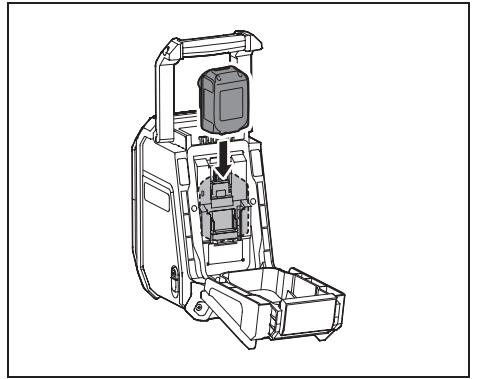
DMR115



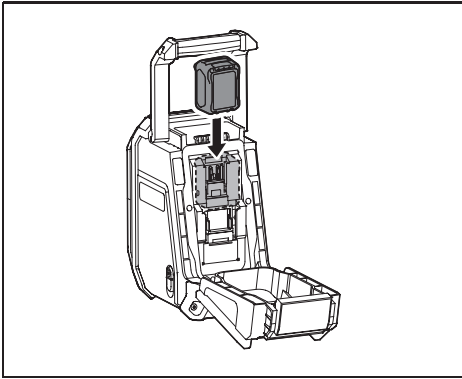




2



3



4

ENGLISH (Original instructions)

EXPLANATION OF GENERAL VIEW (Fig. 1)

1. Handle/Built-in antenna(DAB/FM)
2. Battery compartment locker
3. Battery compartment cover (covering battery cartridge)
4. Speaker
5. DC IN socket
6. Subwoofer
7. Power button
8. Band button
9. Advanced setting button
10. Info button
11. LED light
12. Preset 3/Play/Pause button
13. Preset 5 button
14. Preset 4/Next track/Fast-forward button
15. Volume/Tuning control/Select knob
16. EQ control button
17. AUX IN socket
18. USB power supply port
19. Auto tune button
20. EQ mode LED indicator
21. Preset 2/Previous track/Rewind button
22. Preset 1/Bluetooth pairing button
23. LCD display
24. Battery compartment
25. Micro USB port for software upgrade

SYMBOLS

The following show the symbols used for the equipment. Be sure that you understand their meaning before use.



Read instruction manual.



Only for EU countries.

Due to the presence of hazardous components in the equipment, waste electrical and electronic equipment, accumulators and batteries may have a negative impact on the environment and human health.

Do not dispose of electrical and electronic appliances or batteries with household waste!

In accordance with the European Directive on waste electrical and electronic equipment and on accumulators and batteries, and waste accumulators and batteries,

as well as their adaptation to national law, waste electrical equipment, batteries and accumulators should be stored separately and delivered to a separate collection point for municipal waste, operating in accordance with the regulations on environmental protection.

This is indicated by the symbol of the crossed-out wheeled bin placed on the equipment.

IMPORTANT SAFETY INSTRUCTIONS

WARNING:

When using electric tools, basic safety precautions should always be followed to reduce the risk of fire, electric shock, and personal injury, including the following:

1. Read this instruction manual and the charger instruction manual carefully before use.
2. Clean only with dry cloth.
3. Do not install near any heat sources such as radiators, heat registers, stoves, or other apparatus (including amplifiers) that produce heat.
4. Only use attachments/accessories specified by the manufacturer.
5. Unplug this apparatus during lightning storms or when unused for long periods of time.
6. A battery operated radio with integral batteries or a separate battery pack must be recharged only with the specified charger for the battery. A charger that may be suitable for one type of battery may create a risk of fire when used with another battery.
7. Use battery operated radio only with specifically designated battery packs. Use of any other batteries may create a risk of fire.
8. When battery pack is not in use, keep it away from other metal objects like: paper clips, coins, keys, nails, screws, or other small metal objects that can make a connection from one terminal to another. Shorting the battery terminals together may cause sparks, burns, or a fire.
9. Avoid body contact with grounded surfaces such as pipes, radiators, ranges and refrigerators. There is an increased risk of electric shock if your body is grounded.
10. Under abusive conditions, liquid may be ejected from the battery; avoid contact. If contact accidentally occurs, flush with water. If liquid contacts eyes, additionally seek medical help. Liquid ejected from the battery may cause irritation or burns.
11. Do not use a battery pack or tool that is damaged or modified. Damaged or modified batteries may

exhibit unpredictable behaviour resulting in fire, explosion or risk of injury.

12. Do not expose a battery pack or tool to fire or excessive temperature. Exposure to fire or temperature above 130 °C(266°F) may cause explosion.
 13. Follow all charging instructions and do not charge the battery pack or tool outside the temperature range specified in the instructions. Charging improperly or at temperatures outside the specified range may damage the battery and increase the risk of fire.
 14. The MAINS plug is used as the disconnect device, and it shall remain readily operable.
 15. Do not use the product at a high volume for any extended period. To avoid hearing damage, use the product at moderate volume level.
 16. (For products with LCD display only) LCD displays include liquid which may cause irritation and poisoning. If the liquid enters the eyes, mouth or skin, rinse it with water and call a doctor.
 17. Do not expose the product to rain or wet conditions. Water entering the product will increase the risk of electric shock.
 18. This product is not intended for use by persons (including children) with reduced physical, sensory or mental capabilities, or lack of experience and knowledge, unless they have been given supervision or instruction concerning use of the product by a person responsible for their safety. Children should be supervised to ensure that they do not play with the product. Store the product out of the reach of children.
- etc.
 - (3) Do not expose battery cartridge to water or rain. A battery short can cause a large current flow, overheating, possible burns and even a breakdown.
 6. Do not store the tool and battery cartridge in locations where the temperature may reach or exceed 50°C (122°F).
 7. Do not incinerate the battery cartridge even if it is severely damaged or is completely worn out. The battery cartridge can explode in a fire.
 8. Be careful not to drop or strike battery.
 9. Do not use a damaged battery.
 10. To avoid risk, the manual of replaceable the battery should be read before use. And the max discharging current of the battery should be greater than or equal to 8A.
 11. The contained lithium-ion-batteries are subject to the Dangerous Goods Legislation requirements. For commercial transports e.g. by third parties, forwarding agents, special requirement on packaging and labeling must be observed. For preparation of the item being shipped, consulting an expert for hazardous material is required. Please also observe possibly more detailed national regulations. Tape or mask off open contacts and pack up the battery in such a manner that it cannot move around in the packaging.
 12. When disposing the battery cartridge, remove it from the tool and dispose of it in a safe place. Follow your local regulations relating to disposal of battery.
 13. Use the batteries only with the products specified by Makita. Installing the batteries to non-compliant products may result in a fire, excessive heat, explosion, or leak of electrolyte. If the tool is not used for a long period of time, the battery must be removed from the tool.

SAVE THESE INSTRUCTIONS

SPECIFIC SAFETY RULES

FOR BATTERY CARTRIDGE

1. Before using battery cartridge, read all instructions and cautionary markings on (1) battery charger, (2) battery, and (3) product using battery.
2. Do not disassemble battery cartridge.
3. If operating time has become excessively shorter, stop operating immediately. It may result in a risk of overheating, possible burns and even an explosion.
4. If electrolyte gets into your eyes, rinse them out with clear water and seek medical attention right away. It may result in loss of your eyesight.
5. Do not short the battery cartridge:
 - (1) Do not touch the terminals with any conductive material.
 - (2) Avoid storing battery cartridge in a container with other metal objects such as nails, coins,

⚠ CAUTION:

- **Danger of explosion if battery is incorrectly replaced.**
- **Replace only with the same or equivalent type.**
- **Only use genuine Makita batteries. Use of non-genuine Makita batteries, or batteries that have been altered, may result in the battery bursting causing fires, personal injury and damage. It will also void the Makita warranty for the Makita tool and charger.**

Tips for maintaining maximum battery life

1. Charge the battery cartridge before completely discharged. Always stop tool operation and charge

- the battery cartridge when you notice less tool power.
- Never recharge a fully charged battery cartridge.
Overcharging shortens the battery service life.
 - Charge the battery cartridge with room temperature

at 10°C - 40°C (50°F - 104°F). Let a hot battery cartridge cool down before charging it.

- Charge the battery cartridge if you do not use it for a long period (more than six months).

OPERATING TIME

The suitable battery packs for this radio listed as the following table.

The following table indicates the operating time on a single charge.

Battery capacity	Battery cartridge voltage			AT SPEAKERS OUTPUT = 100mW Unit: Hour (Approximately)	
	10.8V -12Vmax	14.4V	18V	In Radio or AUX	In Bluetooth + USB Charging
1.3 Ah		BL1415		3.5	0.7
			BL1815	4.0	1.0
1.5 Ah	BL1015 BL1016			5.5	0.8
		BL1415N BL1415NA		4.5	0.9
			BL1815N	5.0	1.2
2.0 Ah	BL1020B BL1021B			7.0	1.0
			BL1820 BL1820B	6.5	1.6
3.0 Ah		BL1430 BL1430B BL1430A		8.0	1.6
			BL1830 BL1830B	9.0	2.3
4.0 Ah	BL1040B BL1041B			14	2.1
		BL1440		12	2.5
			BL1840 BL1840B	13	3.2
5.0Ah		BL1450		15	3.0
			BL1850 BL1850B	16	4.2
6.0 Ah		BL1460B BL1460A		16	3.3
			BL1860B	20	5.0

WARNING:

Only use the battery cartridges listed above. Use of any other battery cartridges may cause injury and/or fire.

NOTE:

- Table regarding to the battery operating time above is for reference.
- The actual operating time may differ with the type of the battery, charging condition, or usage environment.
- Some of the battery cartridges and chargers listed above may not be available depending on your region of residence.

INSTALLATION AND POWER SUPPLY (FIG.2)

⚠ CAUTION:

- Be careful not to pinch your fingers when opening and closing the battery cover.
- Return the battery compartment locker to the original position, after installing or removing battery cartridge. If not, battery cartridge may accidentally fall out of the radio, causing injury to you or someone around you.
- Always close and lock the battery compartment locker before moving the radio.
- Always switch off the radio before installing or removing the battery cartridge.
- Be careful not to drop or strike the radio. Broken shell may slash your finger or stab your body. Damaged radio may exhibit unpredictable behaviour resulting in fire, explosion or risk of injury.

IMPORTANT:

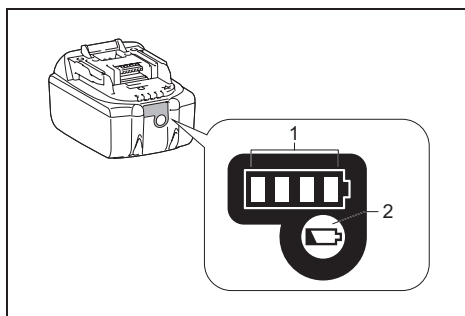
- Reduced power, distortion, "stuttering sound" or when " ! Battery Low" appears on the display are all the signs that the main battery pack needs to be replaced.
- The battery cartridge can't be charged via the supplied AC power adaptor.
- The battery cartridge is not included as standard accessories.

Installing or removing slide battery cartridge (Fig. 3 & 4)

- To install the battery cartridge, align the tongue on the battery cartridge with the groove in the housing and slip it into place. Always insert it all the way until it locks in place with a little click.
- If you can see the red indicator on the upper side of the button, it is not locked completely. Install it fully until the red indicator cannot be seen. If not, it may accidentally fall out of the radio, causing injury to you or someone around you.
- Do not use force when installing the battery cartridge. If the cartridge does not slide in easily, it is not being inserted correctly.
- To remove the battery cartridge, slide it from the radio while sliding the button on the front of the cartridge.

Indicating the remaining battery capacity

* Only for battery cartridges with "B" at the end of the model number.



➤ 1. Indicator lamps 2. Check button

Press the check button on the battery cartridge to indicate the remaining battery capacity. The indicator lamps light up for few seconds.

• 14.4V/18V batteries

Indicator or lamps			Remaining Capacity
Lighted	Off	Blinking	
■	■	■	75% ~ 100%
■	■	■	50% ~ 75%
■	■	□	25% ~ 50%
■	□	□	0% ~ 25%
▣	□	□	Charge the battery
■	■	□	The battery may have malfunctioned
□	□	■	

• 10.8V-12V max batteries

Indicator or lamps			Remaining Capacity
Lighted	Off	Blinking	
■	■	■	75% ~ 100%
■	■	■	50% ~ 75%
■	■	□	25% ~ 50%
■	□	□	0% ~ 25%

NOTE:

Depending on the conditions of use and the ambient temperature, the indication may differ slightly from the actual capacity.

Using supplied AC power adaptor

Remove the rubber protector and insert the adaptor plug into the DC socket on the right hand side of the radio. Plug the adaptor into a standard mains socket outlet. Whenever the adaptor is used, the battery pack is automatically disconnected.

⚠ CAUTION:

- **Always disconnected the AC power adaptor completely before moving the radio. If the AC adaptor is not removed, it may cause an electric shock.**
- **Never pull and/or drag the cord of the adaptor. If not, the radio may accidentally fall down, causing injury to you or someone around you.**

IMPORTANT:

- The mains adaptor is used as the means of connecting the radio to the mains supply. The mains socket used for the radio must remain accessible during normal use.
- In order to disconnect the radio, the mains adaptor should be removed from the mains outlet completely.
- Use the AC power adaptor supplied with the product or specified by Makita only.
- Do not hold the power supply cable and plug by your mouth. Doing so might cause an electric shock.
- Do not touch the power plug with wet or greasy hands.
- Damaged or entangled cords increase the risk of electric shock. If the cord is damaged, have it replaced by our authorized service center in order to avoid a safety hazard. Do not use it before repair.
- After use, always store AC power adaptor out of the reach of children. If Children play with the cord, they may suffer injury.

Charging with USB power supply port

There is the USB port at the front side of the radio. You can charge USB device through the USB port.

1. Connect the USB device, such as a MP3, or CD player, with USB cable available in the market.
2. Press the Power button to switch on your radio.
3. No matter if the radio is AC powered or battery powered, the radio can charge the USB device when the radio is switched on and in DAB/FM radio mode, or BT mode, or AUX mode, which is appeared when an external audio source is connected.

NOTE:

- The maximum volume of the output power speaker will decrease when your USB is charging.
- The USB socket can provide max 5V/2.4A of electrical current.

IMPORTANT:

- Before connecting USB device to the charger, always backup your data of USB device. Otherwise your data

may lose by any possibility.

- The charger may not supply power to some USB devices.
- When not using or after charging, remove the USB cable and close the cover.
- Do not connect power source to USB port. Otherwise there is risk of fire. The USB port is only intended for charging lower voltage device. Always place the cover onto the USB port when not charging the lower voltage device.
- Do not insert a nail, wire, etc. into USB power supply port. Otherwise a circuit short may cause smoke and fire.
- Do not connect this USB socket with your PC USB port, as it is highly possible that it may cause breakdown of the units.

LISTENING TO THE RADIO

This radio has three tuning methods- Scan tuning, Manual tuning and Memory presets recall.

Selecting a station – DAB

Note:

The DAB antenna is built into the handle. When operating the radio, please straighten the handle properly above the radio to get better reception.

1. Press the Power button to switch on your radio.
2. Select the DAB mode by pressing the Band button.
3. Press the Tuning Control knob to enter the list of the stations. Or you can also press the Advanced setting button and then rotate the Tuning Control knob to select "Station List". Press the Tuning Control knob to enter the list of the stations.
4. Rotate the Tuning Control knob to scroll through the list of available stations. Press the Tuning Control knob to select the station.
5. Adjust the desired volume by rotating the Volume knob.

Display modes – DAB

Your radio has a range of display options in the DAB mode.

Press the Info button to cycle through the different options.

- | | |
|--------------------------|--|
| a. Dynamic Label Segment | Supplementary data services in text form (up to 128 characters) running alongside the DAB or DAB+ radio programme. Displays scrolling text messages such as artist/track name, phone in number, etc. |
| b. Program type | Displays the type of station being listened to such as Pop, Classic, News etc. |

- c. Multiplex name Displays the name of the DAB multiplex to which the current station belongs.
- d. Frequency and channel Displays the frequency and channel number for the currently tuned DAB station.
- e. Signal error/strength Displays the signal error and strength for the station being listened to. A lower error number indicates a better quality of radio signal.
- f. Bit rate/Audio type Displays the digital audio bit rate and audio type for the currently tuned DAB station.
- g. Date Displays the current date.

If a DAB broadcast provides a slideshow image, this may be viewed full-screen by pressing and holding the Tuning Control knob. If the broadcast being received is in stereo, then the stereo speaker symbol will be shown at the bottom of the display.

Finding new stations – DAB

From time to time, new DAB radio stations may become available. Or you may have moved to a different part of the country. In this case you may need to activate your radio to scan for new stations.

To allow the radio to find the available stations, it is recommended to carry out a full scan of the entire DAB Band III frequencies.

1. Press the Power button to switch on your radio.
2. Press the Band button to select DAB radio mode.
3. Press the Auto tune button to initiate the scan. The display will show “Scanning” and your radio will perform a scan of the DAB Band III frequencies. As new stations are found the station counter will increase and stations will be added to the list. The bar graph indicates the progress of the scan.

Manual tuning – DAB

Manual tuning allows you to tune your radio to a particular DAB frequency in Band III. This function can also be used to assist the positioning of the antenna or the radio so as to optimize reception for a specific channel or frequency.

1. When in DAB mode, press the Advanced setting button to enter the menu setting.
2. Rotate the Tuning Control knob to select “Manual Tune”. Press the Tuning Control knob to enter the manual tuning mode.
3. Rotate the Tuning Control knob to select the desired DAB channel. Press Tuning Control knob to confirm the chosen frequency.

Dynamic Range Control (DRC) – DAB

DRC feature can make quieter sounds easier to hear when your radio is used in a noisy environment by reducing the dynamic range of the audio signal. There are three levels of compression:

- 1 Maximum compression applied.
 - 1/2 Medium compression applied.
 - 0 No compression applied.
1. When in DAB mode, press the Advanced setting button to enter the menu setting.
 2. Rotate the Tuning Control knob to select “DRC”. Then press the Tuning Control knob to enter the setting. The display will show the current DRC value.
 3. Rotate the Tuning Control knob to select desired DRC setting.
 4. Press the Tuning Control knob to confirm the setting.

Station order setup – DAB

Your radio has 3 station order settings from which you can choose. The station order settings are alphanumeric, ensemble and valid station.

1. When in DAB mode, press the Advanced setting button to enter the menu setting.
2. Rotate the Tuning Control knob to select “Station order”, then press the Tuning Control knob to enter the setting.
3. Rotate the Tuning Control knob to select the following options and press the Tuning Control knob to confirm the setting.

Alphanumeric	Sorts the station list alpha-numerically 0...9 A...Z.
Ensemble	Organizes the station list by DAB multiplex.
Valid	Shows only those stations for which a signal can be found.

Scan Tuning – FM

Note:

The FM antenna is built into the handle. When operating the radio, please straighten the handle properly above the radio to get better reception.

1. Press the Power button to switch on your radio.
2. Press the Band button to select FM radio mode.
3. Press the Auto tune button and the radio will search and stop automatically when it finds a radio station.
4. After a few seconds the display will update. The display will show the frequency of the signal found. If the signal is strong enough and there is RDS data present then the radio will display the station name.
5. To find other station, press the Auto tune button as before.
6. When the end of the waveband is reached your radio

- will recommence tuning from the opposite end of the waveband.
- Rotate the Volume knob to adjust the sound level as required.

Note:

The volume should not be too large. To prevent possible hearing damage, do not listen at high volume levels for long periods.

- To switch off your radio press the Power button.

Manual tuning – FM

- Press the Power button to switch on your radio.
- Press the Band button to select FM radio mode.
- Press the Tuning control knob to switch to the tuning control mode.
- Rotate the Tuning control knob to find your desired station.
- To adjust the volume, press the Tuning control knob again to switch to the volume control mode.
- Rotate the Volume knob to adjust the sound level as required.

Display modes – FM (RDS)

Your radio has a range of display options for FM radio mode.

The RDS indicator at the bottom of the display shows that there is some RDS data present in the broadcast being received. The stereo speaker display shows that the radio is receiving a stereo broadcast.

Repeatedly press the Info button to view the RDS (Radio Data System) information of the station you are listening to.

- | | |
|-----------------|--|
| a. Radio text | Displays radio text message such as new items etc. |
| b. Program type | Displays the type of station being listened to such as Pop, Classic, News, etc. |
| c. Frequency | Displays the frequency of the FM signal. (If no RDS information is available, the display will be shown “No Name”. |
| d. Audio mode | Displays the current audio mode. |
| e. Date | Displays the current date. |

FM scan zone

When using FM mode, your radio can be set to scan either local stations or to scan all stations including distant radio stations.

- When in FM mode, press the Advanced setting button to enter the menu setting.
- Rotate the Tuning control knob to select “Scan zone”. Press the Tuning control knob to enter the setting. The current audio setting is indicated with a tick.

- Rotate the Tuning control knob to select “Local” (Strong stations only) or “Distant” (All stations). The distant option will allow the radio to find weaker signals when scanning.
- Press Tuning control knob to confirm the setting. The local or distant setting is stored in the radio and remains in force until changed or until a system reset.


Stereo/Mono setting – FM

If the FM radio station being listened to has a weak signal, some hiss may be audible. It is possible to reduce this hiss by forcing the radio to play the station in mono rather than stereo.

- Ensure your radio is in FM mode and tune to the required FM station.
- Press the Advanced setting button to enter the menu setting.
- Rotate the Tuning control knob to select “Audio Setting”. Press the Tuning control knob to enter the setting. The current audio setting is indicated with a tick.
- Rotate the Tuning control knob to select “Forced Mono” or “Stereo Allowed”. Press Tuning control knob to confirm the setting.

Presetting stations in DAB and FM modes

There are 5 preset stations each for DAB and FM radio. They are used in the same way for each waveband.

- Press the Power button to switch on your radio.
- Press the Band button to select the desired waveband. Tune to the required radio station as previously described.
- Press and hold the required Preset button until the display shows “Preset 1 saved” (for example).  will be shown at the bottom of the display. The station is then stored in the selected preset button. Repeat this procedure for the remaining presets as you wish.
- Preset stations which have already been stored may be overwritten by following the above procedure if required.

Recalling a preset in DAB and FM modes

- Press the Power button to switch on your radio.
- Press the Band button to select DAB or FM radio mode.
- Momentarily press the required Preset button to tune to your radio to one of the stations stored in the preset memory.

MISCELLANEOUS SETTINGS

Automatically updating the clock

You may specify that the radio sets its clock from DAB or FM radio broadcasts. After a power failure, the radio will then set its clock in the next time that you turn on the radio in DAB or FM mode.

1. With your radio switched on, press the Advanced setting button to access the menu for the current mode.
2. Rotate the Tuning control knob to select "Time/Date". Press the Tuning control knob to enter the setting.
3. Rotate the Tuning control knob to select "Auto Update". Press the Tuning control knob to enter the auto-update menu.
4. Rotate the Tuning control knob to choose an update option from "from Any", "from DAB" or "from FM" as required. Press the Tuning control knob to confirm your choice. The current setting will be marked with a tick.

Setting the clock format

1. With your radio switched on, press the Advanced setting button to access the menu for the current mode.
2. Rotate the Tuning control knob to select "Time/Date". Press the Tuning control knob to enter the setting.
3. Rotate the Tuning control knob to select "Set 12/24 Hour". Press the Tuning control knob to enter the clock format setting. The current clock display format is marked with a tick.
4. Rotate the Tuning control knob to select 12 or 24 hour format. Press the Tuning control knob to confirm your setting. If the 12 hour clock format is chosen, the radio will display a 12 hour clock with an AM or PM indicator.

Setting the date format

1. With your radio switched on, press the Advanced setting button to access the menu for the current mode.
2. Rotate the Tuning control knob to select "Time/Date". Press the Tuning control knob to enter the setting.
3. Rotate the Tuning control knob to select "Set Date Format". Press the Tuning control knob to enter the setting.
4. Rotate the Tuning control knob to select "DD-MM-YYYY" or "MM-DD-YYYY" date format. Press the Tuning control knob to confirm the setting.

Loudness

You can get compensation on lower and higher frequency for your radio by adjusting the loudness function.

1. With your radio switched on, press the Advanced setting button to access the menu for the current mode.
2. Rotate the Tuning control knob to select "Loudness". Press the Tuning control knob to enter the setting.
3. Rotate the Tuning control knob to select "On" to turn on the loudness function. To turn off the loudness function, select "Off". Press the Tuning control knob to confirm the setting.

Language options

There are eight language options available in the radio: English, German, Italian, French, Dutch, Danish, Norwegian and Polish.

1. With your radio switched on, press the Advanced setting button to access the menu for the current mode.
2. Rotate the Tuning control knob to select "Language". Press the Tuning control knob to enter the setting.
3. Rotate the Tuning control knob to choose your desired language. Press the Tuning control knob to confirm your setting.

Factory reset

If you wish to completely reset your radio to its initial state this may be performed by following this procedure. By performing a factory reset, all user entered settings will be erased.

1. With your radio switched on, press the Advanced setting button to access the menu for the current mode.
2. Rotate the Tuning control knob to select "Factory Reset". Press the Tuning control knob to enter the setting.
3. Rotate the Tuning control knob to select "Yes" or "No". If you do not wish to carry out a system reset, select "No" and then press the Tuning control knob to confirm the setting. With "Yes" selected, press the Tuning control knob. A full reset will be performed. The station list and presets will be erased. All settings will be set to their default values.

In case of malfunction due to electrostatic discharge, reset the product (reconnection of power source may be required) to resume normal operation.

Micro USB port for software upgrade

Software updates for your radio may be available in the future.

As software updates become available software and information on how to update your radio can be found at **Makita website**.

1. Using the micro USB cable (not supplied) to connect the USB socket in the battery compartment and your PC.

2. With your radio switched on, press the Advanced setting button to access the menu for the current mode.
3. Rotate the Tuning control knob to select "Software Update". Press the Tuning control knob to enter the setting.
4. Rotate the Tuning control knob to select "Yes" or "No". If you do not wish to carry out a software upgrade, select "No" and press the Tuning control knob to confirm the setting. With "Yes" selected, press the Tuning control knob. The display will show "Waiting for PC wizard". Go to the website to download the latest software. Follow the on-screen instructions on your PC provided with the upgrade software to complete the software upgrade.

Note:

Please use AC power adaptor as main power when upgrading software. Do not switch off the power to the radio until the update operation is complete and the radio has restarted, otherwise the unit may become permanently damaged.

Software version

1. With your radio switched on, press the Advanced setting button to access the menu for the current mode.
2. Rotate the Tuning control knob to select "Software Version". Press the Tuning control knob to display the software version.

Equalizer function

There are 7 kinds of color LED indicators around the Tuning control knob to indicate different EQ modes.

1. Press the Power button to switch on your radio.
2. Press the EQ control button to enter the EQ setting menu.
3. Rotate the Tuning control knob to select your required mode. Then press the Tuning control knob to confirm the selection.

EQ mode	LED indicator
Flat	White
Jazz	Blue
Rock	Red
Classic	Brown
Pop	Pink
News	Yellow
MY EQ	Green

Set up My EQ profile

1. Press the EQ control button to enter the EQ setting menu.
2. Rotate the Tuning control knob to select "MY EQ

Setup". Then press the Tuning control knob to enter the setting menu.

3. Rotate the Tuning control knob to select "Treble" setting. Press the Tuning control knob to enter the setting. Rotate the Tuning control knob to select your required treble level. Press the Tuning control knob to confirm the setting.
4. Rotate the Tuning control knob to select "Middle" setting. Press the Tuning control knob to enter the setting. Rotate the Tuning control knob to select your required middle level. Press the Tuning control knob to confirm the setting.
5. Rotate the Tuning control knob to select "Bass" setting. Press the Tuning control knob to enter the setting. Rotate the Tuning control knob to select your required bass level. Press the Tuning control knob to confirm the setting.

Note:

When using the equalizer to emphasize the bass and listening at high volume levels, it may cause sound cracking and distortion. In this case, adjust the radio volume appropriately.

LISTENING TO MUSIC VIA BLUETOOTH STREAMING

You need to pair your Bluetooth device with the radio before you can auto-link to play/stream Bluetooth music through the radio. Pairing creates a 'bond' so two devices can recognize each other.

Note:

- To have the better sound quality, we recommend setting the volume to more than two-thirds level on your Bluetooth device and then adjust the volume on the radio as required.
- The radio can memorize up to 8 sets of paired device, when the memory exceed this amount, the oldest pairing history will be over written.

Pairing your Bluetooth device for the first time

1. Press the Power button to turn on the radio. Press the Band button to select Bluetooth mode. The display will appear "BT Pair" and the Preset buttons (1-5) flash white light to show the radio is discoverable.
2. Activate Bluetooth on your device according to the device's user manual to link to the radio. Locate the Bluetooth device list and select the device named "DMR115" (With some mobiles which are equipped with earlier versions than BT2.1 Bluetooth device, you may need to input the pass code "0000").
3. Once connected, there will be a confirmation tone sound. The Preset buttons (1-5) will remain in solid white. You can simply select and play any music from

your source device. Volume control can be adjusted from your source device, or directly from the radio.

4. Use the controls on your Bluetooth-enabled device or on the radio to play/pause and navigate tracks.

Note:

- If 2 Bluetooth devices, pairing for the first time, both search for the radio, it will show its availability on both devices. However, if one device links with this unit first, then the other Bluetooth device won't find it on the list.
- If your Bluetooth device is temporarily disconnected to the radio, then you need to manually reconnect your device again to the radio.
- If "DMR115" shows in your Bluetooth device list but your device cannot connect with it, please delete the item from your list and pair the device with the radio again following the steps described previously.
- Optimum Bluetooth streaming range is roughly 10 meters (30 feet) (line of sight) to the radio but distance up to 30 meters (100 feet) are possible.
- If Bluetooth connection is lost due to exceeding time of separation, exceeding the optimum distance, obstacles or otherwise, reconnecting your device with the radio may be necessary.
- Physical obstacles, other wireless devices or electromagnetic devices may affect the connection quality.
- Bluetooth connectivity performance may vary depending on the connected Bluetooth devices. Please refer to the Bluetooth capabilities of your device before connecting to the radio. All features may not be supported on some paired Bluetooth devices.

Playing audio files in Bluetooth mode

When you have successfully connected the radio with the chosen Bluetooth device you can start to play your music using the controls on your connected Bluetooth device.

1. Once playing has started, adjust the volume to the required setting using the Volume knob on the radio or on your enabled Bluetooth device.
2. Use the controls on your Bluetooth source device to play/pause and navigate tracks. Alternatively, control the playback using Play/Pause, Next track, Previous track buttons on your radio.
3. Press and hold the Fast-forward or Rewind button to move through the current track. Release the button when the desired point is reached.

Note:

- Some player applications or devices may not respond to all of these controls.
- Some mobile phones may temporarily disconnect from the radio when you make or receive calls. Some

devices may temporarily mute their Bluetooth audio streaming when they receive text messages, emails or for other reasons unrelated to audio streaming. Such behaviour is a function of the connected device and does not indicate a fault with the radio.

Playing a previously-paired Bluetooth source device

If your Bluetooth device already paired with the radio previously, the unit will memorize your Bluetooth device and it attempts to reconnect with a device in memory which is last connected. If the last connected device is not available, the radio will be discoverable.

Disconnecting your Bluetooth device

Press and hold the Bluetooth pairing button for 2-3 seconds until "BT Pair" is shown on the display or turn off Bluetooth on your Bluetooth device to disable the connection.

You can also press the Band button to select any mode other than Bluetooth mode to disable the connection.

Deleting Bluetooth paired device memory

To clear the memory of all paired devices, press and hold the Bluetooth pairing button more than 7 seconds until "Clearing" shows on the display.

AUXILIARY INPUT SOCKET

A 3.5mm Auxiliary input socket is provided at the front of your radio to permit an audio signal to be fed into the unit from an external audio device such as a MP3 or CD player.

1. Connect an external audio source (for example, MP3 or CD player) to the AUX IN socket.
2. Press the Power button to switch on your radio.
3. Repeatedly press and release the Band button until "AUX IN" is displayed.
4. To have the better sound quality, we recommend setting the volume to more than two-thirds level on your audio device and then adjust the volume on the radio as required.

Note:

Audio cord is not included as standard accessories.

MAINTENANCE

⚠ CAUTION:

- Never use gasoline, benzine, thinner, alcohol or the like. Discoloration, deformation or cracks may result.
- Do not wash the radio with water.

SPECIFICATIONS

Power requirements	
AC power adaptor	DC 12V 2.5A, center pin positive
Battery	Slide battery: 10.8V-18V
Frequency coverage	FM87.50-108MHz (0.05MHz/step) DAB/DAB+ 174.928-239.200 MHz
DAB/DAB+ Channel block	DAB (Band III) 5A-13F
Compatible standard	DAB/DAB+

Bluetooth®	
(The Bluetooth® word mark and logos are registered trademarks owned by Bluetooth SIG, Inc.)	
Bluetooth version	5.0 Certified
Bluetooth Profiles	A2DP/SCMS-T/AVRCP
Transmission Power	Power Class2
Transmission Range	Optimum: Max.10 meters (33 feet) Possible: Max.30 meters (100 feet) (varies according to usage conditions)
Bluetooth Codec	SBC, AAC
Maximum radio-frequency power	BT EDR: 1.91dBm BT LE: 0.21dBm
Operating Frequency	2402MHz~2480MHz

Circuit feature	
Loudspeaker	2.5 inches 8 ohm x 2 4 inches 6 ohm x1
Output power	10.8V-12Vmax: 2W x 2 + 10W 14.4V: 3W x 2 + 15W 18V: 5W x 2 + 25W
Input terminal	3.5mm dia. (AUX IN)
Antenna system	DAB/FM: Built-in antenna
Dimensions (L x W x H)	268 x 164 x 295 mm
Weight	4.8 KG (without battery)

POLSKI (Oryginalna instrukcja)

OBJAŚNIENIE BUDOWY OGÓLNEJ (Rys. 1)

1. Uchwyt/wbudowana antena (DAB/FM)
2. Komora baterii
3. Osłona komory baterii (przykrywająca kasetę baterii)
4. Głośnik
5. Gniazdo DC
6. Subwoofer
7. Przycisk zasilania
8. Przycisk wyboru zakresu
9. Przycisk ustawień zaawansowanych
10. Przycisk Info
11. Lampka LED
12. Przycisk ustawień wstępnych 3/Odtwarzanie/Pauza
13. Przycisk ustawień wstępnych 5
14. Przycisk ustawień wstępnych 4/Następny utwór/Szybkie przewijanie do przodu
15. Głośność/Kontrola strojenia/Wybór
16. Przycisk sterowania EQ
17. Gniazdo wejścia AUX
18. Port zasilania USB
19. Przycisk automatycznej konfiguracji
20. Wskaźnik LED trybu EQ
21. Przycisk ustawień wstępnych 2/Poprzedni utwór
22. Przycisk ustawień wstępnych 1/Parowanie Bluetooth
23. Wyświetlacz LCD
24. Komora baterii
25. Port micro USB do aktualizacji oprogramowania

SYMBOLE

Poniżej przedstawiono symbole stosowane w przypadku omawianego urządzenia. Przed rozpoczęciem jego użytkowania należy upewnić się, że są one zrozumiałe.



Przeczytać instrukcję obsługi.



Dotyczy tylko państw UE.

Z uwagi na obecność w sprzęcie niebezpiecznych składników, zużyty sprzęt elektryczny, elektroniczny, akumulatory oraz baterie mogą powodować negatywny wpływ na środowisko i zdrowie ludzi.

Nie wyrzucaj urządzeń elektrycznych, elektronicznych lub akumulatorów wraz z odpadami z gospodarstwa domowego!

Zgodnie z Europejską Dyrektywą w sprawie zużytego sprzętu elektrycznego i elektronicznego oraz dotyczącą akumulatorów i baterii oraz zużytych akumulatorów i baterii, a także dostosowaniem ich do prawa krajowego, zużyte urządzenia elektryczne, elektroniczne, baterie i akumulatory, należy składować osobno i przekazywać do punktu selektywnej zbiórki odpadów komunalnych, działającego zgodnie z przepisami dotyczącymi ochrony środowiska. Informuje o tym symbol przekreślonego kołowego kontenera na odpady umieszczony na sprzęcie.

WAŻNE ZASADY BEZPIECZEŃSTWA

OSTRZEŻENIE:

Używając elektronarzędzi, należy zawsze przestrzegać podstawowych środków ostrożności w celu zmniejszenia ryzyka wystąpienia pożaru, porażenia prądem oraz uszkodzenia ciała, włączając poniższe:

1. Przed korzystaniem z urządzenia należy dokładnie zapoznać się z niniejszą instrukcją obsługi oraz instrukcją obsługi ładowarki.
2. Czyścić wyłącznie suchą szmatką.
3. Nie montować przy jakimkolwiek źródle ciepła, takim jak grzejniki, kratki wylotowe ciepłego powietrza, piece lub inne urządzenia (również wzmacniacze) wytwarzające ciepło.
4. Stosować wyłącznie przyrządy/akcesoria zalecane przez producenta.
5. Wyłączyć niniejsze urządzenie podczas burzy oraz w przypadku nieużywania przez dłuższy czas.
6. Akumulatorowy odbiornik radiowy z akumulatorem wbudowanym lub oddzielnym musi być ładowany wyłącznie za pomocą określonej ładowarki do akumulatora. Ładowarka przeznaczona do jednego typu akumulatora może stwarzać zagrożenie wystąpienia pożaru w przypadku stosowania jej do ładowania innego akumulatora.
7. Do zasilania akumulatorowego odbiornika radiowego należy używać tylko przeznaczonych do niego akumulatorów. Używanie innych akumulatorów może stwarzać ryzyko wystąpienia pożaru.
8. Gdy akumulator nie jest używany, należy

zabezpieczyć go przed kontaktem z innymi metalowymi przedmiotami, takimi jak spinacze, monety, klucze, gwoździe, wkręty bądź inne małe przedmioty metalowe, które mogą powodować zwarcie styków akumulatora. Zwarcie styków akumulatora grozi pojawieniem się iskier, poparzeniami lub pożarem.

9. Należy unikać kontaktu ciała z przedmiotami uziemionymi, takimi jak rury, grzejniki, Kuchenki czy lodówki. Gdy ciało człowieka jest uziemione, wzrasta ryzyko porażenia prądem elektrycznym.
10. W razie niewłaściwych warunków użytkowania może dojść do wycieku elektrolitu z akumulatora. Unikać kontaktu. W razie przypadkowego kontaktu, należy przemyć skażoną skórę wodą. W przypadku kontaktu elektrolitu z oczami należy dodatkowo zasięgnąć porady lekarza. Płyn z akumulatora może powodować podrażnienia lub poparzenia.
11. Nie używaj baterii lub narzędzia, gdy zostały uszkodzone bądź zmodyfikowane. Uszkodzone lub zmodyfikowane baterie mogą wykazywać nieprzewidywalne zachowanie skutkujące pożarem, wybuchem lub wystąpieniem ryzyka obrażeń.
12. Nie wystawiaj baterii lub narzędzia na działanie ognia lub wysokiej temperatury. Narażenie na działanie ognia lub temperatury powyżej 130 °C(266°F) może spowodować wybuch.
13. Postępuj zgodnie z wszystkimi instrukcjami dot. ładowania i nie ładuj baterii lub narzędzia poza wyznaczonym w instrukcji zakresem temperatur. Nieprawidłowe ładowanie lub ładowanie w temperaturze przekraczającej określony zakres może uszkodzić baterię i spowodować ryzyko wystąpienia pożaru.
14. Wtyczka ZASILANIA jest używana do odłączania urządzenia od zasilania i powinna pozostać zawsze gotowa do użycia.
15. Nie używaj produktu na najdłuższym ustawieniu przez dłuższy okres czasu. Aby uniknąć uszkodzenia słuchu, używaj produktu na umiarkowanej głośności.
16. (Dla produktów wyposażonych tylko w wyświetlacz LCD) wyświetlacze LCD zawierają ciecz, która może powodować podrażnienia i zatrucie. Jeżeli ciecz dostanie się do oczu, ust lub na skórę spłucz wodą i skontaktuj się z lekarzem.
17. Nie wystawiaj produktu na deszcz i wilgotne warunki. Gdy woda dostanie się do produktu, zwiększy to ryzyko porażenia prądem.
18. Ten produkt nie jest przeznaczony do używania przez osoby (oraz dzieci) z ograniczoną poczytalnością lub ograniczeniami umysłowymi lub brakiem wiedzy i doświadczenia, chyba że pod nadzorem lub wskazówkami, dotyczącymi

użytkowania produktu, osób odpowiedzialnych za ich bezpieczeństwo. Dzieci powinny być nadzorowane tak, aby nie mogły bawić się produktem. Przechowuj ten produkt poza zasięgiem dzieci.

ZACHOWAĆ INSTRUKCJĘ OBSŁUGI.

SZCZEGÓŁOWE ZASADY BEZPIECZEŃSTWA

DOTYCZY AKUMULATORA

1. Przed użyciem baterii, przeczytaj wszystkie instrukcje oraz oznaczenia dot. uwag na (1) ładowarce do baterii, (2) bateriach oraz (3) produkcie korzystającym z baterii.
2. Nie rozmontowuj baterii.
3. Jeżeli czas używania znacząco się zmniejszył, natychmiast przestań korzystać z urządzenia. Może to skutkować przegrzaniem, powodować oparzenia, a nawet prowadzić do wybuchu.
4. Gdy elektrolit dostanie się do twoich oczu, przepłucz je czystą wodą i natychmiast skonsultuj się z lekarzem. Może to skutkować utratą wzroku.
5. Nie powoduj zwarcia baterii:
 - (1) Nie dotykaj styków przy pomocy przewodzących materiałów.
 - (2) Unikaj przechowywania baterii w pojemniku z innymi metalowymi przedmiotami, np. gwoździami, monetami itp.
 - (3) Nie narażaj baterii na oddziaływanie wody lub deszczu. Zwarcie baterii może skutkować dużym przepływem napięcia, przegrzaniem, możliwymi oparzeniami i uszkodzeniem.
6. Nie przechowuj narzędzia i baterii w miejscach, gdzie temperatura może osiągać lub przekraczać 50°C (122°F).
7. Nie spalaj baterii nawet, jeżeli są bardzo zniszczone lub kompletnie zużyte. Bateria może wybuchnąć w ogniu.
8. Uważaj, aby nie upuścić lub uderzyć baterii.
9. Nie używaj uszkodzonych baterii.
10. Aby uniknąć ryzyka, należy zapoznać się z instrukcją obsługi baterii. Maksymalne natężenie wyładowania baterii powinno być większe lub równe 8A.
11. Bateria litowo-jonowa podlega wymogom Prawodawstwa dot. towarów niebezpiecznych. Podczas transportu komercyjnego, np. za pośrednictwem zewnętrznej firmy, spedytora, należy przestrzegać specjalnych wymogów dot. pakowania oraz etykiet.

Podczas przygotowywania produktu do transportu wymagana jest konsultacja z ekspertem w sprawie niebezpiecznych materiałów. Zwróć także uwagę na możliwe bardziej szczegółowe wytyczne regulacji krajowych.

Zaizoluj lub zamaskuj otwarte styki i spakuj baterie w taki sposób, aby nie mogły się przemieszczać w opakowaniu.

12. Aby usunąć baterię, wyjmij ją z urządzenia, a następnie zutylizuj w bezpiecznym miejscu. Postępuj zgodnie z lokalnymi przepisami dotyczącymi utylizacji baterii.
13. Używaj baterii wyłącznie z produktami określonymi przez firmę Makita. Instalacja baterii w produktach niezgodnych może skutkować pożarem, nadmiernym przegrzewaniem się lub wyciekami elektrolitu.
Jeżeli urządzenie nie będzie używane przez dłuższy czas, baterię należy z niego wyjąć.

⚠ OSTRZEŻENIE:

- **Niebezpieczeństwo wybuchu, gdy bateria jest nieprawidłowo wymieniona.**
- **Wymieniaj tylko na ten sam typ lub jego ekwiwalent.**
- **Używaj wyłącznie oryginalnych baterii Makita. Używanie nieoryginalnych baterii Makita lub baterii, które zostały zmodyfikowane, może skutkować wybuchem baterii, a w rezultacie pożarem, obrażeniami ciała i uszkodzeniami. Spowoduje to także unieważnienie gwarancji Makity na narzędzie oraz ładowarkę.**

Wskazówki dot. maksymalnej żywotności baterii

1. Ładuj baterię przed jej całkowitym rozładowaniem się. Zawsze zatrzymaj urządzenie i naładuj baterię, gdy zauważysz spadek mocy w narzędziu.
2. Nigdy nie ładuj w pełni naładowanych baterii. Nadmierne ładowanie skraca żywotność baterii.
3. Ładuj baterię w temperaturze pokojowej 10°C - 40°C (50°F - 104°F). Pozwól, aby gorąca bateria ostygła zanim rozpoczniesz jej ładowanie.
4. Naładuj baterię, jeżeli nie będziesz jej używać przez dłuższy okres czasu (więcej niż sześć miesięcy).

CZAS PRACY

Odpowiednie zestawy baterii dla tego radia są wymienione w poniższej tabeli.

Poniższa tabela przedstawia czas pracy na pojedynczym ładowaniu.

Pojemność baterii	Napięcie akumulatora			NA WYJŚCIU Z GŁOŚNIKA = 100 mW Jednostka: Godzina (około)	
	10.8V –maks. 12V	14.4V	18V	W trybie Radio lub AUX	Bluetooth + Ładowanie USB
1.3 Ah		BL1415		3.5	0.7
			BL1815	4.0	1.0
1.5 Ah	BL1015 BL1016			5.5	0.8
		BL1415N BL1415NA		4.5	0.9
			BL1815N	5.0	1.2
2.0 Ah	BL1020B BL1021B			7.0	1.0
			BL1820 BL1820B	6.5	1.6
3.0 Ah		BL1430 BL1430B BL1430A		8.0	1.6
			BL1830 BL1830B	9.0	2.3
4.0 Ah	BL1040B BL1041B			14	2.1
		BL1440		12	2.5
			BL1840 BL1840B	13	3.2
5.0Ah		BL1450		15	3.0
			BL1850 BL1850B	16	4.2
6.0 Ah		BL1460B BL1460A		16	3.3
			BL1860B	20	5.0

⚠ OSTRZEŻENIE:

Używaj wyłącznie baterii wymienionych powyżej. Korzystanie z jakichkolwiek innych baterii może powodować obrażenia lub pożar.

Uwaga:


- Tabela dotycząca czasu pracy na baterii powyżej jest tylko poglądowa.
- Faktyczny czas pracy baterii może się różnić w zależności od typu baterii, warunków ładowania oraz środowiska użytkowania.
- Niektóre z wyżej wymienionych baterii i ładowarek mogą być niedostępne w zależności od regionu zamieszkania.

INSTALACJA I ZASILANIE (Rys. 2)

⚠ UWAGA:

- Uważaj, aby nie przygnieść palców podczas otwierania i zamykania osłony na baterię.
- Po zainstalowaniu lub wyjęciu baterii, przesun blokadę miejsca na baterie do oryginalnej pozycji. W przeciwnym razie bateria może przypadkowo wypaść z radia, spowodować obrażenia u Ciebie lub osób w Twoim otoczeniu.
- Zawsze zamykaj i blokuj miejsce na baterie zanim przeniesiesz radio.
- Zawsze wyłączaj radio przed instalowaniem lub wyjęciem baterii.
- Uważaj, aby nie upuścić lub uderzyć radia. Odłamek może rozciąć palce lub wbić się w ciało. Uszkodzone radio może wykazywać nieprzewidywalne zachowanie skutkujące pożarem, wybuchem lub wystąpieniem ryzyka obrażeń.

WAŻNE:

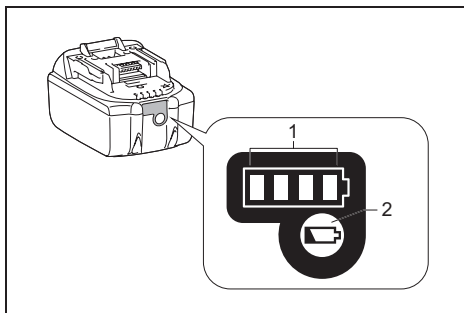
- Zmniejszona moc, zniekształcenie, czy „jąkający dźwięk” lub gdy na wyświetlaczu pojawiają się komunikat  „Niska bateria”, wskazują na to, że główny zestaw baterii musi zostać wymieniony.
- Bateria nie może być naładowana przez dostarczony zasilacz AC.
- Bateria nie jest dołączona jako standardowe wyposażenie.

MONTAŻ LUB DEMONTAŻ AKUMULATORA WSUWANEGO (Rys. 3 i 4)

- Aby zamontować akumulator, należy wyrównać występ na akumulatorze z rowkiem w obudowie i wsunąć go na swoje miejsce. Akumulator należy zawsze wsunąć do oporu, do momentu jego zablokowania na miejscu, co jest sygnalizowane delikatnym kliknięciem.
- Jeśli czerwony wskaźnik w górnej części przycisku jest nadal widoczny, oznacza to, że nie został on całkowicie zablokowany. Należy go zamontować całkowicie, tak aby czerwony wskaźnik nie był widoczny. W przeciwnym razie akumulator może przypadkowo wysunąć się z odbiornika radiowego, raniąc operatora lub osoby postronne.
- Podczas montażu akumulatora nie używać nadmiernej siły. Jeśli nie można go swobodnie wsunąć, prawdopodobnie został on nieprawidłowo włożony.
- Aby wyjąć baterię, wysuń ją z radia przesuując przycisk z przodu.





WSKAZUJE STAN NAŁADOWANIA AKUMULATORA

* Dotyczy wyłącznie akumulatorów z literą „B” na końcu numeru modelu.










➤ 1. Lampki wskaźnikowe 2. Przycisk kontrolny
Nacisnąć przycisk Check (Sprawdź) na akumulatorze, aby sprawdzić stan naładowania akumulatora. Na kilka sekund zaświecą się kontrolki.

• Baterie 14,4V/18V

Lampki wskaźnikowe			Pozostało baterii
 Zapalony	 Wyłączony	 Mruga	
			75% ~ 100%
			50% ~ 75%
			25% ~ 50%
			0% ~ 25%
			Naładuj baterię
			Bateria może nie działać prawidłowo

• Baterie 10,8V-12V maks.

Lampki wskaźnikowe			Pozostało baterii
 Zapalony	 Wyłączony	 Mruga	
			75% ~ 100%
			50% ~ 75%
			25% ~ 50%
			0% ~ 25%

UWAGA:

W zależności od warunków używania oraz temperatury zewnętrznej, wskaźnik może się nieznacznie różnić od faktycznej pozostałej ilości zasilania.

KORZYSTANIE Z ZASILACZA AC

Zdejmij gumową ochronę i włóż wtyczkę zasilacza do gniazda DC po prawej stronie radia.

Podłącz adapter do standardowego gniazodka.

Kiedykolwiek używany jest adapter, bateria jest automatycznie odłączana.

⚠ UWAGA:

- **Przed przeniesieniem radia zawsze odłączaj całkowicie zasilacz AC. Jeżeli zasilacz AC nie jest odłączony, może spowodować porażenie prądem.**
- **Nigdy nie ciągnij za przewód adaptera. W przeciwnym razie radio może przypadkowo wypaść, spowodować obrażenia u Ciebie lub osób w Twoim otoczeniu.**

WAŻNE:

- Zasilacz jest używany jako środek do podłączania radia do zasilania. Gniazdko dla radia musi pozostać dostępne podczas normalnego używania.
- Aby odłączyć radio całkowicie, zasilacz powinien być całkowicie wyjęty z gniazodka elektrycznego.
- Używaj tylko adaptera AC dostarczonego z produktem lub określonym przez firmę Makita.
- Nie trzymaj kabla zasilającego ani wtyczki w ustach. Takie postępowanie może spowodować porażenie prądem.
- Nie dotykaj wtyczki mokrymi lub tłustymi rękami.
- Uszkodzone lub zaplątane przewody podnoszą ryzyko porażenia prądem. Jeżeli przewód jest uszkodzony, wymień go w autoryzowanym centrum serwisowym, aby uniknąć niebezpieczeństwa. Nie używaj przed naprawieniem.
- Po zakończeniu używania zawsze przechowuj adapter AC poza zasięgiem dzieci. Dzieci bawiące się przewodem są narażone na obrażenia.

ŁADOWANIE ZA POMOCĄ PORTU ZASILAJĄCEGO USB

Z przodu odbiornika radiowego znajduje się port USB. Poprzez port USB istnieje możliwość ładowania urządzenia USB.

1. Podłączyć urządzenie USB, takie jak MP3 lub odtwarzacz CD przy użyciu przewodu USB dostępnego na runku.
2. Naciśnij przycisk zasilania, aby włączyć radio.
3. Niezależnie od tego, czy radio jest zasilane sieciowo lub przez baterię, to może ładować urządzenia USB po jego włączeniu i w trybie DAB/FM, trybie BT lub AUX, które pojawiają się po podłączeniu zewnętrznego źródła dźwięku.

UWAGA:

- Maksymalna głośność głośnika zostanie zmniejszona w przypadku ładowania za pomocą USB.
- Wejście USB może zapewnić maksymalne zasilanie o natężeniu prądu 2.4A i napięciu 5 V.

WAŻNE:

- Przed podłączeniem urządzenia USB do portu USB należy zawsze utworzyć kopię zapasową danych znajdujących się na urządzeniu USB. W przeciwnym wypadku istnieje ryzyko utraty danych z jakichkolwiek przyczyn.
- Radio nie może zasilать niektórych urządzeń USB.
- W przypadku nieużywania lub po ładowaniu należy wyjąć przewód USB i zamknąć osłonę.
- Nie podłączać źródła zasilania do portu USB. W przeciwnym wypadku istnieje ryzyko pożaru. Port USB przeznaczony jest wyłącznie do ładowania urządzeń niskonapięciowych. Zawsze umieszczać osłonę na porcie USB w przypadku braku ładowania urządzenia niskonapięciowego.
- Nie wsuwać żadnych gwoździ, przewodów itp. do portu zasilającego USB. W przeciwnym wypadku zwarcia elektryczne może spowodować wydostawanie się dymu lub pożar.
- Nie podłączać wejścia USB do portu USB komputera, ponieważ istnieje duże prawdopodobieństwo uszkodzenia urządzeń.

SŁUCHANIE RADIA

Odbiornik radiowy posiada trzy metody strojenia – strojenie automatyczne, strojenie ręczne, przywoływanie za pomocą przycisków programowalnych z pamięcią.

Wybór stacji - DAB

Uwaga:

Antena DAB jest wbudowany w uchwyt. Podczas korzystania z radia należy odpowiednio ustawić uchwyt nad radiem, aby uzyskać lepszy odbiór.

1. Naciśnij przycisk zasilania, aby włączyć radio.
2. Wybierz tryb DAB, naciskając przycisk Band.
3. Naciśnij pokrętkę kontroli strojenia, aby przejść do listy stacji. Można również nacisnąć przycisk ustawień zaawansowanych, a następnie przekręcić pokrętkę kontroli strojenia, aby wybrać „Listę stacji”. Naciśnij pokrętkę kontroli strojenia, aby przejść do listy stacji.
4. Obracaj pokrętkę kontroli strojenia, aby przewijać listę dostępnych stacji. Naciśnij pokrętkę kontroli strojenia, aby wybrać stację.
5. Dostosuj wymagany poziom głośności obracając pokrętkę poziomu głośności.

Tryby wyświetlania - DAB

Twoje radio posiada szereg opcji wyświetlania w trybie DAB.

Naciśnij przycisk Info, aby wyświetlić różne opcje.

- | | |
|--|--|
| a. Segment etykiety dynamicznej | Dodatkowe usługi danych w formie tekstowej (do 128 znaków) uruchomione wraz z programem radiowym DAB lub DAB +. Wyświetla przewijany tekst komunikaty takie jak wykonawca/ numer utworu, numer telefonu itp. |
| b. Typ programu | Wyświetla typ słuchanej stacji, taki jak Pop, Klasyczna, Wiadomości itp. |
| c. Nazwa multiplexu | Wyświetla nazwę multiplexu DAB, do którego należy bieżąca stacja. |
| d. Częstotliwość i kanał | Wyświetla częstotliwość i numer kanału aktualnie ustawionej stacji DAB. |
| e. Błąd sygnału/ siła | Wyświetla błąd sygnału i siłę słuchanej stacji. Mniejszy numer błędu wskazuje na lepszą jakość sygnału radiowego. |
| f. Prędkość transmisji/ rodzaj dźwięku | Wyświetla prędkość transmisji cyfrowej i rodzaj dźwięku aktualnie ustawionej stacji DAB. |
| g. Data | Wyświetla bieżącą datę. |

Jeśli transmisja DAB umożliwia pokaz slajdów, to można go wyświetlić na pełnym ekranie, naciskając i przytrzymanie pokrętkę kontroli strojenia. Jeśli odbierana transmisja jest w trybie stereo, to symbol głośnika stereo zostanie wyświetlony w dolnej części wyświetlacza.

Wyszukiwanie nowych stacji - DAB

Od czasu do czasu, mogą być dostępne nowe stacje radiowe DAB. Lub przeniosłeś się do innej części kraju. W tym przypadku, może być konieczne włączenie radia, aby wyszukać nowe stacje.

Aby umożliwić radio wyszukanie dostępnych stacji, zalecane jest przeprowadzenie pełnego skanowania pełnej częstotliwości DAB Band III.

1. Naciśnij przycisk zasilania, aby włączyć radio.
2. Naciśnij przycisk Band, aby wybrać tryb radiowy DAB.
3. Naciśnij przycisk strojenia automatycznego, aby rozpocząć skanowanie. Na wyświetlaczu pojawi się napis „Skanowanie”, a radio rozpocznie skanowanie częstotliwości DAB Band III. Jak tylko nowe stacje zostaną wyszukane, to licznik stacji wzrośnie, a nowe stacje zostaną dodane do listy. Wykres słupkowy wskazuje postęp skanowania.

Strojenie ręczne - DAB

Ręczne strojenie pozwala na ustawienie radia na odpowiedniej częstotliwości DAB w zakresie III. Funkcję tę można również wykorzystać do ustawienia anteny lub

radia, aby zoptymalizować odbiór konkretnych kanałów lub częstotliwości.

1. W trybie DAB, naciśnij przycisk ustawień zaawansowanych, aby przejść do ustawień menu.
2. Przekręć pokrętkę kontroli strojenia, aby wybrać „Strojenie ręczne”. Naciśnij pokrętkę kontroli strojenia, aby przejść do trybu ręcznego strojenia.
3. Przekręć pokrętkę kontroli strojenia, aby wybrać żądany kanał DAB. Naciśnij pokrętkę kontroli strojenia, aby potwierdzić wybraną częstotliwość.

Kontrola zakresu dynamicznego (DRC) - DAB

Funkcja DRC może sprawić, że niższe dźwięki będą łatwiej słyszalne, gdy radio będzie używane w hałaśliwym otoczeniu, zmniejszając zakres dynamiczny sygnału audio. Dostępne są trzy poziomy kompresji:

- | | |
|-----|-----------------------|
| 1 | Maksymalna kompresja. |
| 1/2 | Średnia kompresja. |
| 0 | Brak kompresji. |
1. W trybie DAB, naciśnij przycisk ustawień zaawansowanych, aby przejść do ustawień menu.
 2. Przekręć pokrętkę kontroli strojenia, aby wybrać „DRC”. Następnie naciśnij pokrętkę kontroli strojenia, aby przejść do ustawień. Na wyświetlaczu pojawi się aktualna wartość DRC.
 3. Przekręć pokrętkę kontroli strojenia, aby wybrać żądane ustawienia DRC.
 4. Naciśnij pokrętkę kontroli strojenia, aby zatwierdzić ustawienia.

Ustawienia kolejności stacji - DAB

Twoje radio ma 3 ustawienia kolejności stacji do wyboru. Ustawienia kolejności stacji dzielą się na alfanumeryczne, kompletne i aktualne.

1. W trybie DAB, naciśnij przycisk ustawień zaawansowanych, aby przejść do ustawień menu.
 2. Przekręć pokrętkę kontroli strojenia, aby wybrać „Kolejność stacji”, a następnie naciśnij pokrętkę kontroli strojenia, aby przejść do ustawień.
 3. Przekręć pokrętkę kontroli strojenia, aby wybrać następujące ustawienia, a następnie naciśnij pokrętkę kontroli strojenia, aby zatwierdził ustawienia.
- | | |
|-----------------|--|
| Alfanumerycznie | Sortuje listę stacji alfanumerycznie 0...9 A...Z. |
| Kompletnie | Sortuje listę stacji według multiplexu DAB. |
| Aktualnie | Pokazuje tylko te stacje, na których można znaleźć sygnał. |

Strojenie przez skanowanie –FM

Uwaga:

Antena FM jest wbudowana w uchwyt. Podczas korzystania z radia należy odpowiednio ustawić uchwyt nad radiem, aby uzyskać lepszy odbiór.

1. Naciśnij przycisk zasilania, aby włączyć radio.
2. Naciśnij przycisk Zakresu, aby wybrać tryb FM.
3. Naciśnij przycisk automatycznego strojenia.
Radio rozpocznie wyszukiwanie i zatrzyma się automatycznie, gdy znajdzie stację radiową.
4. Po kilku sekundach wyświetlacz zostanie zaktualizowany. Na wyświetlaczu pojawi się częstotliwość znalezionej stacji. Jeśli sygnał jest wystarczająco silny i ma dane RDS, to na wyświetlaczu pojawi się nazwa stacji.
5. Aby znaleźć inną stację, naciśnij przycisk strojenia automatycznego, jak wcześniej.
6. Po osiągnięciu końca zakresu fal radio wznowi strojenie z przeciwnego końca zakresu fal.
7. Przekręć pokrętkę poziomu głośności, aby dostosować poziom głośności w razie potrzeby.

Uwaga:

Poziom głośności nie powinien być zbyt wysoki. Aby uniknąć uszkodzenia słuchu, nie słuchaj na wysokim poziomie głośności przez długi czas.

8. Aby wyłączyć radio, naciśnij przycisk zasilania.

Strojenie ręczne – FM

1. Naciśnij przycisk zasilania, aby włączyć radio.
2. Naciśnij przycisk zakresu, aby wybrać tryb radia FM.
3. Naciśnij pokrętkę kontroli strojenia, aby przejść do trybu ręcznego strojenia.
4. Przekręć pokrętkę kontroli sterowania, aby znaleźć żądaną stację.
5. Aby dostosować poziom głośności, naciśnij pokrętkę kontroli sterowania ponownie i przejdź do trybu kontroli poziomu głośności.
6. Przekręć pokrętkę poziomu głośności, aby ustawić żądany poziom głośności.

Tryby wyświetlania – FM (RDS)

Radio posiada szereg opcji wyświetlania w trybie DAB. Wskaźnik RDS na dole wyświetlacza wskazuje, że w odbieranej audycji zawarte są dane RDS. Wyświetlacz głośnika stereo pokazuje, że radio odbiera transmisję stereo.

Naciśnij kilkakrotnie przycisk Info, aby wyświetlić informacje RDS (Radio Data System) stacji, której słuchasz.

- | | |
|-----------------|--|
| a. Tekst radio | Wyświetla komunikaty tekstowe radia, takie jak nowe elementy, itp. |
| b. Typ programu | Wyświetla typ słuchanej stacji, taki jak Pop, Klasyczna, Wiadomości itp. |

- | | |
|------------------|--|
| c. Częstotliwość | Wyświetla częstotliwość sygnału radia FM. (Jeśli nie ma informacji o RDS, to na wyświetlaczu pojawi się „Brak nazwy”). |
| d. Tryb audio | Wyświetla bieżący tryb audio. |
| e. Data | Wyświetla bieżącą datę. |

Strefa skanowania FM

W trybie FM radio można ustawić na skanowanie stacji lokalnych lub skanowanie wszystkich stacji, w tym tych oddalonych.

1. W trybie FM, naciśnij przycisk ustawień zaawansowanych, aby przejść do ustawień menu.
2. Przekręć pokrętkę kontroli strojenia, aby wybrać „Strefę skanowania”. Naciśnij pokrętkę kontroli strojenia, aby przejść do ustawień. Bieżące ustawienia audio są zaznaczone.
3. Przekręć pokrętkę kontroli strojenia, aby wybrać „Lokalne” (tylko silne stacje) lub „Odległe” (wszystkie stacje). Opcja odległych stacji pozwala na znalezienie słabszych sygnałów podczas skanowania.
4. Naciśnij pokrętkę kontroli strojenia, aby zatwierdzić ustawienia. Ustawienia lokalne lub odległe pozostają zapisane w radio do momentu ich zmiany lub zresetowania systemu.

Konfiguracja stereo/mono - FM

Jeśli słuchana stacja radiowa FM ma słaby sygnał, to słychać syk. Możliwe jest zmniejszenie szyczenia poprzez odtwarzanie radia w trybie mono, zamiast stereo.


1. Upewnij się, że radio jest w trybie FM i ustaw żądaną stację radiową FM.
2. Naciśnij przycisk ustawień zaawansowanych, aby przejść do ustawień menu.
3. Przekręć pokrętkę kontroli strojenia, aby wybrać „Ustawienia audio”. Naciśnij pokrętkę kontroli strojenia, aby przejść do ustawień. Bieżące ustawienia audio są zaznaczone.
4. Przekręć pokrętkę kontroli strojenia, aby wybrać „Wymuszone mono” lub „Dozwolone stereo”. Naciśnij pokrętkę kontroli strojenia, aby zatwierdzić ustawienia.

Wstępne ustawienia stacji w trybach DAB i FM.

Dostępnych jest 5 wstępnie ustawionych stacji dla trybów DAB i FM. Są one stosowane tak samo dla każdego zakresu fal.

1. Naciśnij przycisk zasilania, aby włączyć radio.
2. Naciśnij przycisk Zakres, aby wybrać żądany zakres fal. Ustaw żądaną stację radiową, jak opisano powyżej.
3. Naciśnij i przytrzymaj żądany przycisk ustawień

wstępnych, aż w dolnej części wyświetlacza pojawi się „Zapisano ustawienie wstępne 1” (na przykład).

 aż w dolnej części wyświetlacza pojawi się „Zapisano ustawienie wstępne 1” (na przykład). Stacja zostaje zapisana w wybranym przycisku ustawień wstępnych. Powtórz tę procedurę dla pozostałych ustawień.

4. Zaprogramowane stacje, które zostały już zapisane, można w razie potrzeby zastąpić, postępując zgodnie z powyższą procedurą.

Przywrócenie ustawień wstępnych w trybach DAB i FM

1. Naciśnij przycisk zasilania, aby włączyć radio.
2. Naciśnij przycisk zakresu, aby wybrać tryb DAB lub FM.
3. Krótko naciśnij żądany przycisk ustawień wstępnych, aby ustawić radio na jedną ze stacji zapisanych w pamięci.

INNE USTAWIENIA

Automatyczna aktualizacja godziny

Możesz określić, aby radio ustawiało zegar według audycji radiowych DAB lub FM. Po niepowodzeniu zasilania radio ustawi zegar przy następnym włączeniu radia w trybie DAB lub FM.

1. Po włączeniu radia naciśnij przycisk Ustawienia zaawansowane, aby uzyskać dostęp do menu bieżącego trybu.
2. Przekręć pokrętkę kontroli strojenia, aby wybrać „Czas/Datę”. Naciśnij pokrętkę kontroli strojenia, aby przejść do ustawień.
3. Przekręć pokrętkę kontroli strojenia, aby wybrać „Automatyczną aktualizację”. Naciśnij pokrętkę kontroli strojenia, aby przejść do menu automatycznej aktualizacji.
4. Przekręć pokrętkę kontroli sterowania, aby wybrać opcję aktualizacji „z każdego”, „z DAB” lub „z FM”. Naciśnij pokrętkę kontroli strojenia, aby zatwierdzić ustawienia. Bieżąca konfiguracja zostanie zaznaczona.

Ustawianie formatu godziny

1. Po włączeniu radia naciśnij przycisk Ustawienia zaawansowane, aby uzyskać dostęp do menu bieżącego trybu.
2. Przekręć pokrętkę kontroli strojenia, aby wybrać „Czas/Datę”. Naciśnij pokrętkę kontroli strojenia, aby przejść do ustawień.
3. Przekręć pokrętkę kontroli strojenia, aby wybrać „Ustawienie trybu 12/24”. Naciśnij pokrętkę kontroli strojenia, aby przejść do ustawień formatu zegara. Bieżący format wyświetlania godziny jest oznaczony.

4. Przekręć pokrętkę kontroli strojenia, aby wybrać między formatem 12- a 24-godzinnym. Naciśnij pokrętkę kontroli strojenia, aby zatwierdzić ustawienia. Jeśli wybrano 12-godzinny format zegara, to radio wyświetli 12-godzinne zegar ze wskaźnikami AM lub PM.

Ustawianie formatu godziny

1. Po włączeniu radia naciśnij przycisk Ustawienia zaawansowane, aby uzyskać dostęp do menu bieżącego trybu.
2. Przekręć pokrętkę kontroli strojenia, aby wybrać „Czas/Datę”. Naciśnij pokrętkę kontroli strojenia, aby przejść do ustawień.
3. Przekręć pokrętkę kontroli strojenia, aby wybrać „Ustawienie formatu daty”. Naciśnij pokrętkę kontroli strojenia, aby przejść do ustawień.
4. Przekręć pokrętkę kontroli sterowania, aby wybrać format daty „DD-MM-RRRR” lub „MM-DD-RRRR”. Naciśnij pokrętkę kontroli strojenia, aby zatwierdzić ustawienia.

Głośność

Możesz uzyskać kompensację niższej i wyższej częstotliwości, regulując funkcję głośności.

1. Po włączeniu radia naciśnij przycisk Ustawienia zaawansowane, aby uzyskać dostęp do menu bieżącego trybu.
2. Przekręć pokrętkę kontroli strojenia, aby wybrać „Głośność”. Naciśnij pokrętkę kontroli strojenia, aby przejść do ustawień.
3. Przekręć pokrętkę kontroli sterowania i wybierz „Wł”, aby włączyć funkcję regulacji głośności. Aby wyłączyć funkcję głośności, wybierz opcję „Wył”. Naciśnij pokrętkę kontroli strojenia, aby zatwierdzić ustawienia.

Opcje języka

Dostępnych jest osiem wersji językowych: angielski, niemiecki, włoski, francuski, holenderski, duński, norweski i polski.

1. Po włączeniu radia naciśnij przycisk Ustawienia zaawansowane, aby uzyskać dostęp do menu bieżącego trybu.
2. Przekręć pokrętkę kontroli strojenia, aby wybrać „Język”. Naciśnij pokrętkę kontroli strojenia, aby przejść do ustawień.
3. Przekręć pokrętkę kontroli sterowania, aby znaleźć żądany język. Naciśnij pokrętkę kontroli strojenia, aby zatwierdzić ustawienia.

Przywrócenie do ustawień fabrycznych

Jeśli chcesz całkowicie zresetować radio, to można to wykonać w następujący sposób. Przywracając ustawienia fabryczne, wszystkie ustawienia użytkownika zostaną usunięte.

1. Po włączeniu radia naciśnij przycisk Ustawienia zaawansowane, aby uzyskać dostęp do menu bieżącego trybu.
2. Przekręć pokrętkę kontroli strojenia, aby wybrać „Przywrócenie do ustawień fabrycznych”. Naciśnij pokrętkę kontroli strojenia, aby przejść do ustawień.
3. Przekręć pokrętkę kontroli strojenia, aby wybrać „Tak” lub „Nie”. Jeśli nie chcesz zresetować systemu, wybierz „Nie”, a następnie naciśnij pokrętkę kontroli strojenia, aby potwierdzić ustawienia. Jeśli wybrano „Tak”, naciśnij pokrętkę kontroli strojenia. Zostanie wykonany pełny reset. Lista stacji i ustawienia zostaną usunięte. Wszystkie ustawienia zostaną przywrócone do wartości domyślnych.

W przypadku awarii spowodowanej wyładowaniem elektrostatycznym, zresetuj urządzenie (może być konieczne ponowne podłączenie źródła zasilania), aby wznowić normalne działanie.

Port micro USB do aktualizacji oprogramowania

Aktualizacje oprogramowania dla twojego radia mogą być dostępne w przyszłości.

Kiedy aktualizacje oprogramowania będą dostępne, informacje na temat aktualizacji radia można znaleźć na stronie Makita.

1. Za pomocą kabla micro USB (niedołączony do zestawu) podłącz gniazdo USB w komorze baterii z komputerem.
2. Po włączeniu radia naciśnij przycisk Ustawienia zaawansowane, aby uzyskać dostęp do menu bieżącego trybu.
3. Przekręć pokrętkę kontroli strojenia, aby wybrać „Aktualizację oprogramowania”. Naciśnij pokrętkę kontroli strojenia, aby przejść do ustawień.
4. Przekręć pokrętkę kontroli strojenia, aby wybrać „Tak” lub „Nie”. Jeśli nie chcesz przeprowadzić aktualizacji oprogramowania, wybierz „Nie”, a następnie naciśnij pokrętkę kontroli strojenia, aby potwierdzić ustawienia. Jeśli wybrano „Tak”, naciśnij pokrętkę kontroli strojenia. Na wyświetlaczu pojawi się „Oczekiwanie na kreator PC”. Przejdź do strony internetowej, aby pobrać najnowszą wersję oprogramowania. Postępuj zgodnie z instrukcjami wyświetlanymi na ekranie komputera, dostarczonymi przez oprogramowanie aktualizacji, aby ukończyć aktualizację.

Uwaga:

Użyj zasilacza sieciowego jako głównego zasilania podczas aktualizacji oprogramowania. Nie wyłączaj radia, aż do zakończenia procesu aktualizacji i ponownym uruchomieniu radia, w przeciwnym razie urządzenie może zostać uszkodzone.

Wersja oprogramowania

1. Po włączeniu radia naciśnij przycisk Ustawienia zaawansowane, aby uzyskać dostęp do menu bieżącego trybu.
2. Przekręć pokrętkę kontroli strojenia, aby wybrać „Wersję oprogramowania”. Naciśnij pokrętkę kontroli strojenia, aby wyświetlić wersję oprogramowania.

Funkcja korektora

Isnitęje można 7 wskaźników LED przy pokrętle, aby wyróżnić różne tryby EQ.

1. Naciśnij przycisk zasilania, aby włączyć radio.
2. Naciśnij przycisk kontroli EQ, aby przejść do ustawień EQ.
3. Obracaj pokrętkę, aby wybrać żądany tryb. Następnie naciśnij pokrętkę, aby zatwierdzić wybór.

Tryb EQ	Wskaźnik LED
PŁASKI	Biały
JAZZ	Niebieski
ROCK	Czerwony
CLASSIC	Brazowy
POP	Różowy
WIADOMOŚCI	Żółty
MÓJ EQ	Zielony

Ustawienie Mojego profilu EQ.

1. Naciśnij przycisk kontroli EQ, aby wejść w menu ustawień EQ.
2. Przekręć pokrętkę kontroli strojenia, aby wybrać „Ustawienie Mojego kreatora EQ”. Następnie naciśnij pokrętkę kontroli strojenia, aby przejść do ustawień.
3. Przekręć pokrętkę kontroli strojenia, aby wybrać ustawienia „Wysokich tonów”. Naciśnij pokrętkę kontroli strojenia, aby przejść do ustawień. Przekręć pokrętkę kontroli strojenia, aby wybrać żądany poziom wysokich tonów. Naciśnij pokrętkę kontroli strojenia, aby zatwierdzić ustawienia.
4. Przekręć pokrętkę kontroli strojenia, aby wybrać ustawienia „Średnich tonów”. Naciśnij pokrętkę kontroli strojenia, aby przejść do ustawień. Przekręć pokrętkę kontroli strojenia, aby wybrać żądany poziom średnich tonów. Naciśnij pokrętkę kontroli strojenia, aby zatwierdzić ustawienia.
5. Przekręć pokrętkę kontroli strojenia, aby wybrać ustawienia „Niskich tonów”. Naciśnij pokrętkę kontroli strojenia, aby przejść do ustawień. Przekręć pokrętkę kontroli strojenia, aby wybrać żądany poziom niskich tonów. Naciśnij pokrętkę kontroli strojenia, aby zatwierdzić ustawienia.

Uwaga:

Korzystanie z korektora w celu podkreślenia basów

i słuchanie na wysokim poziomie głośność może spowodować pęknięcie i zniekształcenie dźwięku. W takim przypadku, dostosuj poziom głośności radia.

SŁUCHANIE MUZYKI POPURZEC STRUMIENIOWANIE BLUETOOTH

Musisz sparować swoje urządzenie Bluetooth z radiem zanim będziesz mógł automatycznie połączyć i odtwarzać/strumieniować muzykę poprzez radio. Parowanie tworzy „powiązanie”, które umożliwia rozpoznawanie się urządzeń.

UWAGA:

- Aby uzyskać lepszą jakość dźwięku, zalecamy ustawienie głośności na powyżej jedną trzecią poziomu na twoim urządzeniu Bluetooth, a następnie w miarę potrzeby dostosowanie głośności radia.
- Radio może zapamiętać do 8 zestawów sparowanych urządzeń, gdy pamięć przekroczy tą ilość, najstarsze sparowane urządzenie zostanie nadpisane.

Parowanie urządzenia Bluetooth po raz pierwszy

1. Naciśnij przycisk zasilania, aby włączyć radio. Naciśnij przycisk zakresu, aby wybrać tryb Bluetooth. Na wyświetlaczu pojawi się „Parowanie Bluetooth” i przyciski ustawień wstępnych będą migać na biało wskazując, że radio jest wykrywalne.
2. Aktywuj Bluetooth na swoim urządzeniu według instrukcji obsługi urządzenia, aby połączyć je z radiem. Znajdź listę urządzeń Bluetooth i wybierz urządzenie o nazwie „DMR115” (W przypadku niektórych smartfonów z wersją wcześniejszą niż Bluetooth BT2.1 może być konieczne wprowadzenie hasła „0000”).
3. Po podłączeniu rozlegnie się dźwięk potwierdzenia. Zaprogramowane przyciski (1-5) pozostaną w jednolitym białym kolorze. Można wybrać i odtworzyć dowolną muzykę z urządzenia. Poziom głośności można kontrolować poprzez urządzenie źródłowe lub bezpośrednio z radia.
4. Użyj przycisków na urządzeniu obsługującym Bluetooth lub bezpośrednio na radiu, aby odtwarzać/pauzować i nawigować utwory. Jeśli „DMR115 to:

UWAGA:

- Jeżeli 2 urządzenia Bluetooth parują się po raz pierwszy, oba wyszukają radio i oba będą wyświetlać jego dostępność. Jednakże, jeżeli jedno urządzenie połączy się z jednostką jako pierwsze, wtedy drugie urządzenie nie będzie w stanie znaleźć go na liście.
- Jeżeli Twoje urządzenie Bluetooth jest tymczasowo odłączone od radia, będziesz musiał ponownie połączyć się z radiem ręcznie.

- Jeżeli „DMR115” wyświetla się na Twojej liście urządzeń Bluetooth, ale urządzenie nie może się połączyć, usuń element z listy i sparuj urządzenie z radiem ponownie, postępując z zgodnie z krokami opisanymi wcześniej.
- Optymalny zakres strumieniowania Bluetooth to około 10 metrów (30 stóp) (w zasięgu wzroku) do radia, ale możliwa jest odległość do 30 metrów (100 stóp).
- Jeżeli połączenie Bluetooth jest utracone z powodu przekroczenia czasu rozłączenia, przekroczenia optymalnej odległości, przeszkód lub w inny sposób, może być konieczne ponowne połączenie urządzenia z radiem.
- Fizyczne przeszkody, inne bezprzewodowe urządzenia lub urządzenia elektromagnetyczne mogą wpływać na jakość połączenia.
- Wydajność połączenia Bluetooth może się różnić w zależności od podłączonego urządzenia Bluetooth. Zobacz wydajność swojego urządzenia Bluetooth zanim podłączysz go do radia. Wszystkie funkcje mogą nie być obsługiwane na sparowanych urządzeniach Bluetooth.

ODTWARZANIE PLIKÓW AUDIO W TRYBIE BLUETOOTH

Po pomyślnym podłączeniu do Twojego radia do wybranego urządzenia Bluetooth, możesz rozpocząć odtwarzanie muzyki używając kontrolerów na podłączonym urządzeniu Bluetooth.

1. Po rozpoczęciu odtwarzania, dostosuj głośność używając pokrętki głośności na radiu lub na urządzeniu Bluetooth.
2. Używaj przycisków kontrolnych na Twoim urządzeniu, aby odtwarzać/pauzować lub nawigować utwory. Można ewentualnie nawigować utwory używając przycisków Odtwarzanie/Pauza, Następny utwór, Poprzedni utwór na radiu.
3. Naciśnij i przytrzymaj przycisk przewijania do przodu lub wstecz, aby przewijać aktualnie odtwarzany utwór. Zwolnij przycisk, gdy zostanie osiągnięty odpowiedni punkt.

UWAGA:

- Niektóre aplikacje odtwarzające lub urządzenia mogą nie reagować na te komendy.
- Niektóre telefony komórkowe mogą tymczasowo odłączać się od Twojego radia, gdy wykonujesz lub odbierasz połączenie telefoniczne. Niektóre urządzenia mogą tymczasowo wyciszać strumieniowanie audio poprzez Bluetooth, gdy otrzymują wiadomości tekstowe, e-maile lub z innych powodów nie związanych ze strumieniowaniem. Takie zachowanie jest funkcją podłączonego urządzenia i nie oznacza, że Twoje radio jest zepsute.

ODTWARZANIE WCZEŚNIEJ SPAROWANEGO URZĄDZENIA BLUETOOTH

Jeżeli Twoje urządzenie Bluetooth zostało wcześniej sparowane z radiem, jednostka zapamięta Twoje urządzenie i spróbuje się z nim połączyć, gdy połączenie zostanie utracone. Jeżeli poprzednio podłączone urządzenie nie jest dostępne, radio będzie wykrywało.

Odłączanie urządzenia Bluetooth

Naciśnij i przytrzymaj przycisk parowania Bluetooth na 2-3 sekundy, aż „Parowanie Bluetooth” pojawi się na wyświetlaczu lub wyłącz Bluetooth na urządzeniu źródłowym, aby przerwać połączenie.

Możesz także nacisnąć przycisk zakresu i wybrać dowolny tryb inny niż Bluetooth, aby przerwać połączenie.

Usuwanie sparowanego urządzenia Bluetooth z pamięci

Aby wyczyścić pamięć wszystkich powiązanych urządzeń, naciśnij i przytrzymaj przycisk parowania Bluetooth na dłużej niż 7 sekund, aż „Czyszczenie” pojawi się na wyświetlaczu

GNIAZDO WEJŚCIA AUDIO

Dodatkowe gniazdo wejściowe 3.5mm zostało udostępnione w przedniej części radia, aby umożliwić połączenie sygnału audio z zewnętrznymi urządzeniami audio, takimi jak MP3 I odtwarzacz CD.

1. Podłącz zewnętrzne źródło audio (np. MP3, odtwarzacz CD) do gniazda AUX.
2. Naciśnij przycisk zasilania, aby włączyć radio.
3. Kilka razy naciśnij i zwolnij przycisk zakresu, aż wyświetli się „AUX IN”.
4. Aby uzyskać lepszą jakość dźwięku, zalecamy ustawienie głośności na powyżej jedną trzecią poziomu na twoim urządzeniu audio, a następnie w miarę potrzeby dostosowanie głośności radia.

UWAGA:

Przewód audio nie jest dołączony jako standardowe wyposażenie.

KONSERWACJA

⚠ UWAGA:

- Nie wolno używać benzyny, benzenu, rozpuszczalnika, alkoholu itp. Substancje takie mogą spowodować odbarwienia, odkształcenia lub pęknięcia.
- Nie należy myć radia wodą.

DANE TECHNICZNE

Wymagania dotyczące zasilania	
Zasilacz sieciowy	DC 12V 2.5A, centralny styk dodatni
Bateria	Bateria wsuwana: 10.8V - 18V
Zakres częstotliwości	FM87.50-108MHz (0.05MHz/stopień) DAB/DAB+ 174.928-239.200 MHz
DAB/DAB+ blok kanału	DAB (Bande III) 5A-13F
Kompatybilny standard	DAB/DAB+

Bluetooth®	
(Znak słowny i logo Bluetooth® są zarejestrowanymi znakami towarowymi należącymi do Bluetooth SIG, Inc.)	
Wersja Bluetooth	5.0 Certyfikowany
Profile Bluetooth	A2DP/SCMS-T/AVRCP
Moc transmisji	Klasa mocy 2
Zakres transmisji	Optymalnie: maks.10 metrów (33 stóp) Możliwe: maks. 30 metrów (100 stóp) (różni się w zależności od warunków)
Kodek Bluetooth	SBC, AAC
Maksymalna moc częstotliwości radiowej	BT EDR: 1.91dBm BT LE: 0.21dBm
Częstotliwość pracy	2402MHz~2480MHz

Funkcja obwodu	
Głośnik	2,5 cala, 8 ohm x 2 4 cale 6 ohm x 1
Moc wyjściowa	10.8V-12Vmax: 2W x 2 + 10W 14.4V: 3W x 2 + 15W 18V: 5W x 2 + 25W
Terminal wejściowy	3.5 mm dia. (AUX wejściowe)
System antenowy	DAB/FM: Wbudowana antena
Wymiary (Dł. x Szer. x Wys.)	268 x 164 x 295 mm
Waga	4,8 kg (bez baterii)

AZ ÁLTALÁNOS NÉZET MAGYARÁZATA (1. ábra)

1. Fogó/Beépített antenna (DAB/FM)
2. Az akkutartó rekesz zárja
3. Az akkutartó rekesz fedele (az akkuzazetta fedője)
4. Hangszóró
5. DC IN bemenet
6. Mélynyomó
7. Bekapcsológomb
8. Hullámsávváltó
9. A haladó beállítások gombja
10. Infó gomb
11. LED lámpa
12. Preset 3/Lejátszás/Szünet gomb
13. Preset 5 gomb
14. Preset 4/Következő zeneszám/gyors előretékeres gomb
15. Hangerőszabályzó/Hangoló/Kiválasztó gomb
16. Hangszínszabályzó gomb
17. AUX IN bemenet
18. USB áramellátási aljzat
19. Automata hangolás gomb
20. Hangszín mód - LED jelzőfény
21. Preset 2/Előző zeneszám/visszatekeres gomb
22. Preset 1/Bluetooth párosítás gomb
23. LCD kijelző
24. Az akkumulátor tartórekesze
25. Mikro USB aljzat a szoftverfrissítéshez

SZIMBÓLUMOK

Az alábbiakban a készülékkel kapcsolatos szimbólumokról olvashat. Fontos, hogy használat előtt ezekkel tisztában legyen.



Olvassa el a használati útmutatót.



Csak EU-tagállamok számára.

Mivel a berendezésben veszélyes alkatrészek vannak, az elektromos és elektronikus berendezések, akkumulátorok és elemek hulladékai negatív hatással lehetnek a környezetre és az emberi egészségre.

Az elektromos és elektronikus készülékeket vagy akkumulátorokat ne dobja a háztartási szemétkébe!

Az elektromos és elektronikus berendezések hulladékairól és az

akkumulátorokról és elemekről, valamint az akkumulátorok és elemek hulladékáról szóló európai irányelveknek, valamint a nemzeti jogszabályokhoz történő adaptálásának megfelelően a használt elektromos berendezéseket, elemeket és akkumulátorokat külön kell tárolni, és a települési hulladék elkülönített gyűjtőhelyére kell szállítani a környezetvédelmi előírásoknak megfelelően.

Ezt jelzi a berendezésen elhelyezett áthúzott kerek kuka szimbólum.

FONTOS BIZTONSÁGI UTASÍTÁSOK

FIGYELMEZTETÉS:

Elektromos eszközök használata során mindig tartsa be az alapvető biztonsági utasításokat, így csökkentheti a tüzesetek, áramütés és a személyi sérülések kockázatát. Ezek az alábbiak:

1. Használat előtt figyelmesen olvassa el ezt a használati útmutatót és a töltő utasításait.
2. A készüléket csak száraz ruhával tisztítsa.
3. A készüléket ne szerelje be hőforrások közelébe, pl. radiátorok, hőszugárzók, kályhák, erősítők stb., melyek hőt termelnek.
4. Kizárólag a gyártó által megadott csatlományokat és alkatrészeket és kellekeket használja.
5. Viharok esetén, illetve ha hosszabb ideig nem kívánja használni, a készülék elektromos csatlakozóját húzza ki a konnektorból.
6. A rádió beépített akkumulátorait és a különálló akkumulátort kizárólag a töltésükhöz előírt töltőkészülékkel szabad tölteni. Egy bizonyos akkumulátortípushoz használható töltő más akkumulátortípussal való használata tűzveszélyt idézhet elő.
7. Az akkumulátoros rádiót kizárólag a számára készített akkumulátorokkal használja. Bármely egyéb akkumulátor használata tűz kockázatával járhat.
8. Ha az akkumulátor-egységet nem használja, tartsa távol irodai kapcsolóktól, pénzérméktől, kulcsoktól, szögektől, csavaroktól és minden egyéb olyan tárgytól, mely a csatlóponthoz összeköthető. Az akkumulátor csatlóponthoz rövidzárlata következtében szikrák keletkezhetnek, illetve égési sérülésekkel és tüzesettel is járhat.
9. Ne kerüljön a testfelülete érintkezésbe olyan földelt felületekkel, mint például csövek, radiátorok, vízmelegítők vagy hűtőgépek. Az áramütés veszélye fokozottan fennáll, ha a teste földelve van.

TERMÉKSPECIFIKUS BIZTONSÁGI SZABÁLYOK

AKKUTARTÓ REKESZ

1. Az akkutartó rekesz használatának megkezdése előtt olvasson el minden figyelmeztető jelzést az (1) akkutartó rekeszen.
2. Ne szerelje szét az akkutartó rekeszt.
3. Ha a működési idő túlzottan lerövidül, azonnal függesse fel a használatot. Ez túlhevülésveszéllyel járhat, gyulladást vagy robbanás okozhat.
4. Ha az akkumulátor folyadék a szemébe kerül, öblítse ki tiszta vízzel, majd azonnal forduljon orvoshoz. Ez vakságot is okozhat.
5. Ne zárja rövidre az akkutartó rekeszt:
 - (1) Ne érjen a csatlópontokhoz semmilyen vezető anyaggal.
 - (2) Ne tárolja az akkutartó rekeszt egy tárolóban más fém tárgyakkal, például szögekkel, pénzérmékkel, stb.
 - (3) Ne tegye ki az akkutartó rekeszt víznek vagy esőnek. Az akkumulátor rövidzárlata nagymennyiségű elektromos áram átfolyásával és túlhevüléssel járhat, gyulladást okozhat, vagy akár tönkre is mehet.
6. Ne tárolja az akkutartó rekeszt olyan helyeken, ahol a hőmérséklet meghaladhatja az 50°C (122°F) értéket.
7. Ne próbálja elégetni az akkutartó rekeszt még akkor sem, ha az némileg sérült vagy már teljesen elhasználódott. Az akkutartó rekesz tűzben felrobbanhat.
8. Ügyeljen arra, hogy ne ejtse le az akkumulátort, és azt ne érje erős ütés sem.
9. Ne használja az akkumulátort, ha az sérült.
10. A kockázatok elkerülése érdekében használat előtt olvassa el a cserélhető akkumulátor kezelési útmutatóját. Emellett az akkumulátor maximális kimenő árama 8A, vagy annál nagyobb legyen.
11. A készülék lítium-ion akkumulátoraira a törvény szerint a veszélyes árukra vonatkozó követelmények vonatkoznak. Üzleti célú szállítás során, tehát harmadik feleknél, szállítócégeknél figyelembe kell venni a csomagoláson és a címkéken feltüntetett különleges előírásokat.

A termék szállítása előtt igénybe kell venni egy veszélyes árukra specializálódott szakember tanácsát. Kérjük, részletesen tanulmányozza az országos szabályozásokat is.

Ragasszon vagy takarjon le minden nyílt csatlakozási pontot. Az akkumulátort csomagolja be úgy, hogy az ne tudjon mozogni a csomagolásban.
12. Az akkukazetta kisejtezésekor vegye azt ki azt a készülékből, majd szabaduljon meg tőle egy

10. Helytelen használat esetén az akkumulátorból folyadék távozhat; kerüljön ezzel minden érintkezést. Ha véletlenül érintkezésbe került a folyadékkal, öblítse le vízzel. Ha a folyadék a szembe jut, vegyen igénybe orvosi segítséget. Az akkumulátorból kiszivárgó folyadék irritációt és égési sérüléseket okozhat.
11. Ne használjon sérült vagy módosított akkumulátor-egységeket vagy eszközöket. A sérült vagy módosított akkumulátorok működése kiszámíthatatlan lehet, mely tüzesethez, robbanáshoz és sérülésekhez vezethet.
12. Akkumulátor-egységeket, eszközöket ne tegyen ki nyílt lángnak vagy magas hőmérsékletnek. A tűz vagy a 130 °C(266°F) feletti hőmérséklet robbanást okozhat.
13. Az akkumulátor-egységek vagy eszközök töltéséhez kövesse a töltésre vonatkozó utasításokat, és ne végezzen töltést az útmutatóban megadott hőmérsékleti tartományon kívül. A helytelen, vagy a megadott hőmérsékleti tartományon kívüli töltés kárt tehet az akkumulátorban, és fokozott tűzveszéllyel is járhat.
14. A hálózati csatlakozó a készülék áramtalanítására szolgál, melynek működőképes állapotban kell maradnia.
15. Ne használja a terméket túl nagy hangerőn hosszú időn keresztül. A halláskárosodás megelőzése érdekében a terméket mérsékelt hangerőn üzemeltesse.
16. (Csak LCD kijelzővel rendelkező termékekhez) Az LCD kijelzők olyan folyadékot tartalmaznak, mely irritációt és mérgezést okozhat. Ha a folyadék a szembe, a szájba vagy a bőrre jut, öblítse le vízzel és forduljon orvoshoz.
17. Ne tegye ki a terméket esőnek vagy nedvességnek. Ha a készülék belseibe víz jut, az növeli az áramütés kockázatát.
18. A készüléket akkor használhatják gyermekek és csökkentett fizikai, érzékszervi vagy szellemi képességű személyek, illetve olyanok, akik nem rendelkeznek a kellő tudással és tapasztalattal, ha egy, a biztonságukért felelős személy számukra felügyeletet biztosít és a a készülék használatával kapcsolatban utasításokkal látja el őket. A gyermekek számára biztosítson felügyeletet, hogy azok ne játszassanak a termékkel. A terméket tárolja gyermekek számára nem elérhető helyen.

ŐRIZZE MEG EZT AZ ÚTMUTATÓT

biztonságos helyen. Az akkumulátor kicserélésénél kövesse a helyi előírásokat.

13. Az akkumulátorokat csak a Makita által megadott termékekhez használja. Ha az akkumulátor nem vele kompatibilis termékbe kerül, az tüzeset, túlhevülést, vagy az elektrolit szivárgásához vezethet.

Ha a készüléket hosszabb ideig nem használja, vegye ki belőle az akkumulátort.

⚠ FIGYELEM:

- **Az akkumulátor helytelen behelyezése robbanáshoz vezethet.**
- **Csak egyforma vagy annak megfelelő típusúra cserélje.**
- **Kizárólag eredeti Makita akkumulátorokat használjon. A nem eredeti, vagy módosított akkumulátorok felrobbanhatnak, tüzesetet, személyi sérüléseket és károkat okozhatnak. Emellett a Makita eszközre és a töltőre vonatkozó jótállás is érvényét veszti.**

Tipppek az akkumulátor élettartamának meghosszabbításához

1. Töltse fel az akkutartó rekeszt, mielőtt az teljes mértékben lemerülne. Minden esetben függessze fel a használatot és töltse fel az akkutartó rekeszt, amint észleli, hogy a készülék teljesítménye gyengül.
2. Soha ne töltse az akkutartó rekeszt, amikor az teljes mértékben fel van töltve. A túltöltés megrövidíti az akkumulátor élettartamát.
3. Az akkutartó rekesz töltését végezze, szobahőmérsékleten 10 °C - 40 °C (50 °F - 104 °F). Töltés előtt várja meg, míg az akkutartó rekesz lehül.
4. Töltse fel az akkutartó rekeszt, ha azt hosszabb ideig (hat hónapot meghaladó ideig) nem kívánja használni.

MŰKÖDÉSI IDŐ

A rádióhoz használható akkupakkok listája az alábbi táblázatban található.

Az alábbi táblázaton látható a működési idő egy töltéssel.

Akkumulátor kapacitása	Akkumulátorház feszültsége			A HANGFAL KIMENETÉNÉL = 100mW (egység: Óra)(Megközelítőleg)	
	10.8V –12Vmax	14.4V	18V	Rádió- vagy AUX bemenet	Bluetooth-tal USB töltésnél
1.3 Ah		BL1415		3.5	0.7
			BL1815	4.0	1.0
1.5 Ah	BL1015 BL1016			5.5	0.8
		BL1415N BL1415NA		4.5	0.9
			BL1815N	5.0	1.2
2.0 Ah	BL1020B BL1021B			7.0	1.0
			BL1820 BL1820B	6.5	1.6
3.0 Ah		BL1430 BL1430B BL1430A		8.0	1.6
			BL1830 BL1830B	9.0	2.3
4.0 Ah	BL1040B BL1041B			14	2.1
		BL1440		12	2.5
			BL1840 BL1840B	13	3.2
5.0Ah		BL1450		15	3.0
			BL1850 BL1850B	16	4.2
6.0 Ah		BL1460B BL1460A		16	3.3
			BL1860B	20	5.0

FIGYELEM:

Kizárólag a fent felsorolt akkukazettákat használja. Azoktól eltérő kazetták használata sérülésekhez és/vagy tüzesettséghez vezethet.

Megjegyzés:

- Az akkumulátorok készenléti idejét bemutató táblázat adatai tájékoztató jellegűek.
- A valós üzemidő függhet az akkumulátor típusától, a töltés feltételeitől és a használati környezettől is.
- A fent felsorolt akkukazetták és töltők közül némelyek a tartózkodási helyétől függően nem biztos, hogy elérhetők.

BEÜZEMELÉS ÉS ÁRAMELLÁTÁS (2. ábra)

⚠ Figyelem:

- Vigyázzon arra, hogy ne csipje be az ujjait, amikor lezárja az akkumulátor rekeszének a fedelét.
- Az akkukazetta behelyezése és kivétele után állítsa vissza az eredeti állásba az akkumulátor rekeszének zárját. Ellenkező esetben az akkukazetta véletlenül kieshet a rádióból, sérülést okozva Önnek vagy a körülötte állóknak.
- A rádió szállítása előtt mindig zárja le az akkutartó rekesz zárját.
- A rádió beüzemelése vagy az akkukazetta kivétele előtt mindig kapcsolja ki a rádiót.
- Vigyázzon, hogy ne ejtse le vagy üsse meg a rádiót. A törött borítás megvághatja az ujjait vagy megütheti a testét. Ha a rádió megsérül, kiszámíthatatlanul viselkedhet és tüzesetet, robbanást vagy sérülést okozhat.

FONTOS:

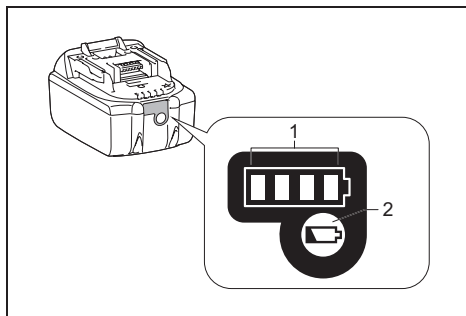
- Gyengülő áramellátás, működési zavarok, akadozó hang esetén, illetve ha az alacsony akkufeszültség jelzése és a „! Battery Low” felirat látható kijelzőn, az arra utal, hogy a fő akkupakkot ki kell cserélni.
- Az akkukazettát lem lehet a mellékelt hálózati adapteren keresztül feltölteni.
- Az akkukazetta nincs a standard tartozékok közt.

A becsúsztatandó akkumulátorház behelyezése és eltávolítása (3. és 4. ábra)

- Az akkumulátorház beszereléséhez illeszze az akkumulátorház nyelvét a burkolaton található vágatba és csúsztassa a helyére. Egészen addig tolja be, amíg egy kis kattánással a helyére nem ugrik.
- Ha látható a piros rész a gomb felső oldalán, akkor a gomb nem kattant be teljesen. Helyezze be az akkumulátort teljesen, amíg a piros rész el nem tűnik. Ha ez nem történik meg, akkor az akkumulátor kieshet a rádióból, és sérülést okozhat Önnek vagy a környezetében lévő más személyeknek.
- Ne erőltesse az akkumulátorházat a behelyezéskor. Ha az akkumulátorház nem csúszik be könnyedén, akkor nem megfelelően lett behelyezve.
- Az akkukazetta kivételéhez csúsztassa azt ki a rádióból, ehhez a kazetta elején lévő gombot kell csúsztatni.

Az akkumulátor töltöttségének jelzése

* Kizárólag olyan akkumulátorokhoz, amelyek modellszáma „B”-re végződik.



➤ 1. Jelzőfény 2. Ellenőrző gomb

Nyomja meg a Check (Ellenőrzés) gombot az akkumulátoron annak töltöttségi szintjének megjelenítéséhez. A jelzőlámpák néhány másodpercre felvillognak.

• 14,4V/18V akkumulátorok

Jelzőfények			Maradék akkufeszültség
Világít	Nem	Ég	
■	□	◐	75% ~ 100%
■	■	□	
■	■	◐	
■	■	◑	
■	■	□	50% ~ 75%
■	■	◐	25% ~ 50%
■	□	□	0% ~ 25%
◐	□	□	Az akkumulátor töltése
■	□	◐	Az akkumulátor meghibásodhatott
□	□	◑	

• 10,8V-12V max akkumulátorok

Jelzőfények			Maradék akkufeszültség
Világít	Nem	Ég	
■	□	◐	75% ~ 100%
■	■	□	
■	■	◐	
■	■	◑	
■	■	□	50% ~ 75%
■	■	◐	25% ~ 50%
■	□	□	0% ~ 25%

MEGJEGYZÉS:

A külső hőmérsékleti viszonyoktól függően a jelzés kissé eltérhet a valós akkufeszültségtől.

A mellékelt hálózati adapter használata

Vegye le a védőgumit, majd dugja be az adapter csatlakozóját a rádió job oldalán található aljzatba. Az adapter hálózati csatlakozóját dugja be egy szabványos konnektorba. Amikor az adapter használja, az akkusomag automatikusan kikapcsol.

⚠ Vigyázat:

- **A rádió szállítása előtt minden esetben szüntesse meg az adapter csatlakozását. Ha a csatlakozást nem szünteti meg, az áramütést okozhat.**
- **Soha ne húzza, rángassa az adapter vezetékét. Ennek következtében a rádió véletlenül leeshet és Ön vagy a körülötte állók megsérülhetnek.**

FONTOS:

- A hálózati adapter a rádió hálózati áramellátására szolgál. A konnektor a normál használat során legyen mindig hozzáférhető.
- A rádió hálózati csatlakoztatásának megszüntetéséhez az adapter csatlakozóját teljesen ki kell húzni a konnektorból.
- Csak a termékhez mellékelt és a Makita által meghatározott AC hálózati adaptert használja.
- Ne tartsa és ne csatlakoztassa az elektromos vezetékét a szájával, mert az áramütéshez vezethet.
- Ne érjen az elektromos csatlakozóhoz nedves vagy zsíros kézzel.
- A sérült vagy összegubancolódott vezetékek áramütést okozhatnak. Ha a vezeték megsérült, a biztonsági kockázatok elkerülése érdekében azt egy arra jogosult szervizközpontban cseréltesse ki. Szereltesse meg, mielőtt használná.
- Használat után tárolja az AC hálózati adaptert gyermekek számára nem elérhető helyen. Ha a gyermekek a vezetékkel játszanak, megsérülhetnek.

Töltés az USB tápellátó porton keresztül

A rádió elején egy USB-port található. Ezen az USB-porton keresztül tölthet USB-eszközöket.

1. A megvásárolható USB-kábel segítségével csatlakoztathat olyan USB-eszközöket, mint például az MP3- vagy a CD-lejátszó.
2. A rádió bekapcsolásához nyomja meg a bekapcsológombot.
3. Attól függetlenül, hogy a rádió hálózatról vagy az akkumulátorról működik, bekapcsolt állapotban, DAB/FM rádió, BT vagy AUX módban képes USB eszközök töltésére, mely a kijelzőn is látható, amikor külső audioforrás csatlakozik.

Megjegyzés:

- A hangszó kimeneti teljesítménye, a maximális hangerő csökkenni fog az USB töltése közben.
- Az USB-aljzat maximum 2.4A -os és 5 V-os elektromos áramot biztosíthat.

Fontos:

- Mielőtt csatlakoztatja USB-eszközt az aljzathoz, mindig mentse le az USB-eszközön lévő adatokat. Ellenkező esetben az adatok bármikor elveszhetnek.
- A rádió egyes USB-eszközök számára nem tud áramot biztosítani.
- Ha nem használja, vagy töltés után, távolítsa el az USB kábelt és zárja be a fedelet.
- Ne csatlakoztasson áramforrást az USB-portba. Ellenkező esetben fennáll a tűz kockázata. Az USB-port kizárólag alacsonyabb feszültségű készülék töltésére használható. Mindig helyezze a fedelet az USB-portra, ha nem tölti az alacsonyabb feszültségű készüléket.
- Ne helyezzen el szöveget, huzalt stb. az USB tápellátó portba. Ellenkező esetben rövidzárlat füstöt és tüzet okozhat.
- Ne csatlakoztassa ezt az USB aljzatot a PC USB-portjába, mivel akkor nagyon valószínű, hogy ez az egységek meghibásodását eredményezheti.

RÁDIÓ HALLGATÁSA

A rádió 3 féle hangolási móddal rendelkezik: kereső hangolással, kézi hangolással és előre programozott állomások előhívásával.

Állomás választása - DAB

Megjegyzés: A DAB antenna a fogóba van beépítve. A rádió használata során a jobb vétel érdekében húzza egyenesre a fogót megfelelően a rádió fölé.

1. A rádió bekapcsolásához nyomja meg a bekapcsológombot.
2. A hullámszámváltó gomb segítségével válassza ki a DAB módot.
3. Nyomja meg a hangológombot a csatornalistába való belépéshez. Illetve megnyomhatja a haladó beállítások gombját is, majd azután tekerjen a hangológombon, majd válassza ki a "Station List" pontot. Nyomja meg a hangológombot a csatornalistába való belépéshez.
4. A hangológomb forgatásával léphet az elérhető állomások között. Az állomás kiválasztásához nyomja meg a hangológombot to select the station.
5. Állítsa be a kívánt hangerőt a hangerőszabályozó gomb segítségével.

Kijelzési módok - DAB

Az DAB üzemmóddhoz a rádió egy sor kijelzési móddal rendelkezik.

A különböző opciók közötti lépegetéshez nyomja meg az infó gombot.

- a. Dinamikus címszegmens Kiegészítő szöveges információk (128 karakterig) futása a DAB vagy a DAB+ rádióprogram alatt. Áthaladó szöveges üzenetek megjelenítése, például az előadó neve vagy a zeneszám címe, telefonszámok, stb.
- b. Programtípus Kijelzi az épp hallgatott rádióállomás típusát (pl. pop, klasszikus, hírek, stb.).
- c. Multiplex név Kijelzi a DAB multiplex nevét, melyhez az épp hallgatott állomás tartozik.
- d. Frekvencia és csatorna Kijelzi az épp behangolt DAB állomás frekvenciáját és csatornaszámát.
- e. Jelhiba és Jelerősség Kijelzi az épp hallgatott állomás jelhibáját illetve jelerősségét. Az alacsonyabb jelhibaszám a rádiójel jobb minőségére utal.
- f. Bitráta/ audiotípus Kijelzi a digitális audio bitrátáját és audiotípusát az épp behangolt DAB állomáshoz.
- g. Dátum Az aktuális dátum kijelzése.

Ha a DAB állomás diaképet is sugároz, azt teljes képernyőn is megtekintheti a hangológomb megnyomásával és tartva Ha a sugárzás vétele sztereóban történik, a sztereó hangfal szimbóluma lesz látható a kijelző alján.

Új állomások keresése - DAB

Időnként újabb DAB állomások jelenhetnek meg. Illetve előfordulhat, hogy az ország egy másik részére költözik. Ebben az esetben rádióján keresést indíthat új állomások felfedezéséhez.

Az elérhető rádióállomások megtalálásához javasolt az egész DAB III hullámsávon teljes keresést indítani.

1. A rádió bekapcsolásához nyomja meg a bekapcsológombot.
2. Nyomja meg a hullámsávváltó gombot a DAB mód kiválasztásához.
3. A keresés elindításához nyomja meg automata hangolás gombját. A kijelzőn a „Scanning” (Keresés) felirat lesz látható, a rádió pedig megkezd a keresést a DAB II hullámsávokon. Az új állomások megtalálásakor az állomásslámlón lévő szám növekedni fog, és az állomások hozzáadódnak a listához. A keresés állapotát egy folyamatcsík jelzi.

Kézi hangolás - DAB

A kézi hangolás lehetővé teszi rádió behangolását egy adott DAB III frekvenciára. Ennek a funkciónak

az segítségével lehetőség van az antenna és a rádió helyének beállítására is, hogy egy adott állomáshoz vagy frekvenciához a lehető legjobb vétel legyen elérhető.

1. DAB módban nyomja meg a haladó beállítások gombját, hogy belépessen a menübeállításokba.
2. A hangológomb elfordításával válassza ki a „Manual Tune” (Kézi hangolás) opciót. A hangológomb megnyomásával lépjen be a kézi hangolás módba.
3. Tekerje a hangológombot a kívánt DAB állomás kiválasztásához. A választott frekvencia jóváhagyásához nyomja meg a hangológombot.

Dinamikus tartományvezérlés (DRC) – DAB

A DRC funkciónak köszönhetően az audiojel dinamikus tartományának csökkentésével a halkabb hangok hangosabbá válhatnak zajos környezetben A tömörítés három szinten történhet:

- 1 Maximális tömörítés
- 1/2 Közepes tömörítés
- 0 Niincs tömörítés.

1. DAB módban nyomja meg a haladó beállítások gombját, hogy belépessen a menübeállításokba.
2. Válassza ki a „DRC” opciót a hangológomb elfordításával. A hangológomb megnyomásával lépjen be a beállításba. A kijelzőn látható lesz a DRC aktuális értéke.
3. A kívánt DRC érték kiválasztásához forgassa a hangológombot.
4. A beállítást a hangológomb megnyomásával hagyhatja jóvá.

Az állomások sorrendjének beállítása

A rádió 3 választható lehetőséget ad a sorrend beállítására. A sorrend beállítása lehet alfanumerikus, csoportos és érvényes állomások szerinti.

1. DAB módban nyomja meg a haladó beállítások gombját, hogy belépessen a menübeállításokba.
2. Forgassa a hangológombot és válassza ki a „Station order” (Állomássorrend) pontot, majd lépjen be a beállításba a hangológomb megnyomásával.
3. A következő opciók közötti választáshoz forgassa el a hangológombot majd a beállítást a hangológomb megnyomásával hagyhatja jóvá.

Alfanumerikus Az állomáslistát alfanumerikus alapon rendezi (0...9 A...Z).

Csoportos Az állomáslistát a DAB multiplex alapján rendezi.

Érvényes állomások Csak olyan állomásokat mutat, melyekhez jel is vehető.

Állomáskeresés – FM

Megjegyzés: Az FM antenna be van építve a fogóba. A rádió használata során a jobb vétel érdekében húzza egyenesre a fogót megfelelően a rádió fölé.

1. A rádió bekapcsolásához nyomja meg a bekapcsológombot.
2. Nyomja meg a hullámsávváltó gombot az FM rádiómód kiválasztásához.
3. Nyomja meg az automata hangolás gombját, a rádió ekkor megkezdheti a keresést, és automatikusan leáll, ha egy rádióállomást talál.
4. Néhány másodpercen belül a kijelző frissül. A kijelző ekkor a talált jel frekvenciáját fogja mutatni. Ha a jel elég erős és vannak elérhető RDS adatok, a rádióállomás neve is megjelenik.

5. További állomások kereséséhez nyomja meg az Auto tune button gombot az előzőekben leírtak szerint.
6. A hullámsáv végének elérése után a rádió újramegkezd az állomáskeresést annak a másik végétől.
7. A hangerőszabályzó gomb elforgatásával állíthatja a hangerőt a kívánt szintre.

Megjegyzés:

A hangerőt ne állítsa túl nagyra. Az esetleges halláskárosodás megelőzése érdekében ne hallgasson zenét nagy hangerőn hosszú ideig.

8. A rádió kikapcsolásához nyomja meg a bekapcsológombot.

Kézi hangolás - FM

1. A rádió bekapcsolásához nyomja meg a bekapcsológombot.
2. Nyomja meg a hullámsávváltó gombot az FM rádiómód kiválasztásához.
3. A hangológomb megnyomásával váltson a hangolás szabályzási módjába.
4. A kívánt állomás behangolásához forgassa el a hangológombot.
5. A hangerő állításához nyomja meg a hangológombot ismét, hogy átváltson a hangerő szabályzási módjába.
6. A hangerőszabályzó gomb elforgatásával állíthatja a hangerőt a kívánt szintre.

Kijelzési módok – FM(RDS)

Az FM rádió üzemmódhoz a rádió egy sor kijelzési móddal rendelkezik.

A kijelzőn az RDS jele mutatja, hogy vannak-e elérhető RDS-adatok a sugárzott állomáshoz. A sztereó hangfal jele mutatja, ha a rádió sztereó jelet fogad.

Az infó gomb többszöri megnyomásával megtekintheti az épp hallgatott rádióállomás RDS (Radio Data System) információit.

- | | |
|-----------------|--|
| a. Rádiószöveg | Kijelzi a rádió szöveges üzeneteit, például az újdonságokat |
| b. Programtípus | Kijelzi az épp hallgatott rádióállomás típusát (pl. pop, klasszikus, hírek, stb.). |
| c. Frekvencia | Kijelzi az FM jel frekvenciáját. (Amennyiben nincsenek elérhető RDS-adatok, a kijelzőn a "No Name" felirat lesz látható. |
| d. Audió mód | Az aktuális audió módot mutatja. |
| e. Dátum | Az aktuális dátum kijelzése. |

FM keresési zóna

Az FM mód használatakor megadhatja, hogy a rádió csak a helyi állomásokat keresse, vagy pedig az összes állomást, beleértve a távoli állomásokat is.

1. FM módban nyomja meg a haladó beállítások gombját, hogy beléphessen a menübeállításokba.
2. A hangológomb elfordításával válassza ki a „Scan zone” (Keresési zóna) opciót. A beállításba a hangológomb megnyomásával léphet be. Az érvényben lévő audiobeállítást egy pipa jelzi.
3. A hangológomb elforgatásával választhat a „Local” (Csak a helyi, erős állomások) vagy a „Distant” (Minden állomás) opciók közül. Ha az összes állomás keresését választja, a rádió a keresés során gyengébb állomásokat is találhat.
4. A beállítást a hangológomb megnyomásával hagyhatja jóvá. A helyi vagy az összes állomás keresési beállítása mindaddig érvényben marad, ameddig azt meg nem változtatja, vagy ameddig a rendszer alapértékekre nem áll.

Sztereó és monó beállítása - FM


Ha az épp hallgatott FM állomás jele gyenge, némi sztereó lesz hallható. Ez a sztereó csökkenthető, ha a rádiót arra készítjük, hogy az állomást sztereó helyett monó módban játssza le.

1. Ellenőrizze, hogy a rádió FM módban van-e, és hogy a kívánt FM állomásra hangolta-e.
2. Nyomja meg a haladó beállítások gombját, hogy beléphessen a menübeállításokba.
3. A hangológomb elfordításával válassza ki az „Audio setting” (Audió beállítása) opciót. A beállításba a hangológomb megnyomásával léphet be. Az érvényben lévő audiobeállítást egy pipa jelzi.
4. A hangológomb elfordításával választhat a „Forced Mono” (Kényszerített monó) és a „Stereo Allowed” (Sztereó engedélyezve) opciók között. A beállítást a hangológomb megnyomásával hagyhatja jóvá.

DAB és FM állomások tárolása

Összesen 5-5 állomást tárolhat el a DAB illetve az

FM módban. A használat az egyes hullámsávoknál megegyező.

1. A rádió bekapcsolásához nyomja meg a bekapcsológombot.
2. Nyomja meg a hullámsávváltó gombot a kívánt hullámsáv kiválasztásához. Hangolja be a kívánt állomást a korábban leírtak szerint.
3. Tartsa lenyomva a kívánt tárolóhely gombját addig, míg a kijelzőn (például) a „Preset 1 saved” felirat meg nem jelenik.  Iesz látható a kijelzőn Az állomás ekkor mentésre kerül a kiválasztott tárolóhelyre. Kívánság szerint ismétlje meg a műveletet a többi memóriahelynél is.
4. Ha szükséges, a fenti műveletnek megfelelően a tárolt állomást felül is írhatja.

A tárolt DAB és FM állomások előhívása

1. A rádió bekapcsolásához nyomja meg a bekapcsológombot.
2. Nyomja meg a hullámsávváltó gombot a DAB vagy az FM mód kiválasztásához.
3. Nyomja meg egyszer a kívánt tárolóhely gombját, és a rádió arra az állomásra kapcsol, melyet a memóriában eltárolt.

VEGYES BEÁLLÍTÁSOK

A pontos idő automatikus frissítése

Beállíthatja, hogy a rádió az órát a DAB vagy az FM jelei segítségével állítsa be. Áramkimaradás esetén a rádió beállítja az órát a következő alkalommal, amikor azt DAB vagy FM módba kapcsolja.

1. Bekapcsolt helyzetben nyomja meg haladó beállítások gombját, hogy belépjen az aktuális mód menüjébe.
2. A hangológomb elfordításával válassza ki a „Time/Date” (Idő/dátum) opciót. A beállításba a hangológomb megnyomásával léphet be.
3. A hangológomb elfordításával válassza ki az „Auto Update” (Automatikus frissítés) opciót. Az automatikus frissítés menüjébe a hangológomb megnyomásával léphet be.
4. A hangológomb elforgatásával szükség szerint választhat a „from Any” (Bárhonnan), „from DAB” (DAB-ról), illetve a „from FM” (FM-ről) opciók közül. A választott dátumformátum jóváhagyásához nyomja meg a hangológombot. Az érvényben lévő beállítást egy pipa jelzi.

Az óraformátum beállítása

1. Bekapcsolt helyzetben nyomja meg haladó beállítások gombját, hogy belépjen az aktuális mód menüjébe.

2. A hangológomb elfordításával válassza ki a „Time/Date” (Idő/dátum) opciót. A beállításba a hangológomb megnyomásával léphet be.
3. A hangológomb elforgatásával válassza ki a „Set 12/24 Hour” (12/24 órás időformátum) opciót. A hangológomb megnyomásával lépjen be az időformátum beállításába. Az érvényben lévő időformátum beállítását egy pipa jelzi.
4. A hangológomb elfordításával választhat a 12 és a 24 órás időformátum között. A beállítást a hangológomb megnyomásával hagyhatja jóvá. Amennyiben a 12 órás formátumot választja, a rádió az AM (délelőtt) és a PM (délután) jelzéseket fogja használni.

A dátumformátum beállítása

1. Bekapcsolt helyzetben nyomja meg haladó beállítások gombját, hogy belépjen az aktuális mód menüjébe.
2. A hangológomb elfordításával válassza ki a „Time/Date” (Idő/dátum) opciót. A beállításba a hangológomb megnyomásával léphet be.
3. A hangológomb elfordításával válassza ki a „Set Date Format” (Dátumformátum beállítása) opciót. A beállításba a hangológomb megnyomásával léphet be.
4. A hangológomb elfordításával választhat a “DD-MM-YYYY” (NN-HH-ÉÉÉÉ) és a “MM-DD-YYYY” (HH-NN-ÉÉÉÉ) dátumformátumok között. A beállítást a hangológomb megnyomásával hagyhatja jóvá.

Hangosság

Lehetőség van az alacsony és a magasabb frekvenciák kiegyenlítésére a rádióján a hangosság funkció állításával.

1. Bekapcsolt helyzetben nyomja meg haladó beállítások gombját, hogy belépjen az aktuális mód menüjébe.
2. A hangológomb elfordításával válassza ki a „Loudness” (Hangosság) opciót. A beállításba a hangológomb megnyomásával léphet be.
3. A hangológomb elfordításával válassza ki az „On” lehetőséget a hangosság funkció bekapcsolásához. A hangosság funkció kikapcsolásához válassza az „Off” lehetőséget. A beállítást a hangológomb megnyomásával hagyhatja jóvá.

Nyelv beállítása

A rádión nyolc nyelv között választhat: Ezek az angol, a német, az olasz, a francia, a holland, a dán, a norvég és a lengyel.

1. Bekapcsolt helyzetben nyomja meg haladó beállítások gombját, hogy belépjen az aktuális mód menüjébe.
2. A hangológomb elfordításával válassza ki a „Language” (Nyelv) opciót. A beállításba a

- hangológomb megnyomásával léphet be.
3. A kívánt nyelv kiválasztásához forgassa el a hangológombot. A beállítást a hangológomb megnyomásával hagyhatja jóvá.

Gyári értékek visszaállítása

Ha a rádiót teljesen vissza kívánja állítani a kezdeti beállításokra, ezt az alábbi műveletek segítségével teheti meg. A gyári értékek visszaállításakor a felhasználó minden beállítása törlésre kerül.

1. Bekapcsolt helyzetben nyomja meg haladó beállítások gombját, hogy belépjen az aktuális mód menüjébe.
2. A hangológomb elfordításával válassza ki a „Factory Reset” (Gyári értékek visszaállítása) opciót. A beállításba a hangológomb megnyomásával léphet be.
3. Válasszon a „Yes” (Igen) és a „No” (Nem) lehetőségek közül a hangológomb elfordításával. Amennyiben a rendszert mégsem kívánja visszaállítani, válassza ki a „No” lehetőséget, majd a jóváhagyáshoz nyomja meg a hangológombot. Ha a „Yes” lehetőséget választotta ki, nyomja meg a hangológombot. Ekkor megtörténik a teljes visszaállítás. Az állomások listája és a tárhelyek is törlődnek. Minden beállítás visszaáll az alapértékekre.

Hibás működés vagy elektrosztatikus kisülés esetén állítsa vissza a terméket alapértékekre (ekkor szükség lehet az áramforrás újracsatlakoztatására), hogy visszatérhessen a normál működésre.

Mikro USB aljzat a szoftverfrissítéshez

A jövőben a rádióhoz szoftverfrissítések jelenhetnek meg.

Amint egy szoftverfrissítés megjelenik, a szoftvert és a frissítésre vonatkozó tudnivalókat megtalálja a **Makita weboldalon**.

1. Csatlakoztassa a rádiót az akkumulátor tartórekeszében található USB aljzaton keresztül a számítógépéhez egy mikro USB kábel (nincs mellékelve) segítségével.
2. Bekapcsolt helyzetben nyomja meg haladó beállítások gombját, hogy belépjen az aktuális mód menüjébe.
3. A hangológomb elfordításával válassza ki az „Software Update” (Szoftverfrissítés) opciót. A beállításba a hangológomb megnyomásával léphet be.
4. Válasszon a „Yes” (Igen) és a „No” (Nem) lehetőségek közül a hangológomb elfordításával. Amennyiben a frissítést mégsem kívánja elvégezni, válassza ki a „No” lehetőséget, majd a jóváhagyáshoz nyomja meg a hangológombot. Ha a „Yes” lehetőséget választotta ki, nyomja meg a hangológombot. A kijelzőn a „Waiting for PC wizard” (Várakozás a PC varázslóra)

felirat jelenik meg. Nyissa meg a weboldalt és töltsse le a legfrissebb szoftvert. A szoftverfrissítés elvégzéséhez kövesse a frissítési szoftverhez a számítógép képernyőjén megjelenő utasításokat.

Megjegyzés:

A szoftverfrissítés elvégzése során az áramellátáshoz használja a hálózati adaptert. Ne kapcsolja ki a rádiót, amíg a folyamat be nem fejeződött és a rádió újra nem indult, ellenkező esetben a készülék tartósan károsodhat.

Szoftververzió

1. Bekapcsolt helyzetben nyomja meg haladó beállítások gombját, hogy belépjen az aktuális mód menüjébe.
2. A hangológomb elfordításával válassza ki az „Software Version” (Szoftververzió) opciót. Nyomja meg a hangológombot a szoftververzió kijelzéséhez.

Hangszinszabályzó funkció

A hangológomb körül 7 fajta LED jelzőfény foglal helyet, melyek az egyes hangszínmódokat jelenítik meg.

1. A rádió bekapcsolásához nyomja meg a bekapcsológombot.
2. A hangszín beállítómenüjébe a hangszinszabályzó gomb megnyomásával léphet be.
3. A hangológomb elfordításával válassza ki a kívánt módot. Kiválasztását a hangológomb megnyomásával hagyhatja jóvá.

Hangszín mód	LED fényjelzés
FLAT	Fehér
JAZZ	Kék
ROCK	Piros
CLASSIC	Barna
POP	Rózsaszín
NEWS	Sárga
MY EQ	Zöld

A My EQ (egyéni hangszín) beállítása

1. A hangszín beállítómenüjébe a hangszinszabályzó gomb megnyomásával léphet be.
2. A hangológomb elfordításával válassza ki a „MY EQ Setup” opciót. A hangológomb megnyomásával lépjen be a beállítómenübe.
3. A hangológomb elfordításával válassza ki az „Treble” (Magas) beállítást. A beállításba a hangológomb megnyomásával léphet be. A hangológomb elforgatásával állítsa be a magas hangok kívánt szintjét. A beállítást a hangológomb megnyomásával hagyhatja jóvá.
4. A hangológomb elfordításával válassza ki az „Middle” (Közép) beállítást. A beállításba a hangológomb megnyomásával léphet be. A hangológomb

elforgatásával állítsa be a középfhangok kívánt szintjét. A beállítást a hangológomb megnyomásával hagyhatja jóvá.

5. A hangológomb elfordításával válassza ki az „Bass” (Mély) beállítást. A beállításba a hangológomb megnyomásával léphet be. A hangológomb elforgatásával állítsa be a mélyhang kívánt szintjét. A beállítást a hangológomb megnyomásával hagyhatja jóvá.

Megjegyzés:

Ha a hangszín szabályzásával megemelte a mélyhangszintet és nagy hangerőt választott, az recsegő, zavart hangot eredményezhet. Ebben az esetben állítsa a hangerőt a megfelelő szintre.

ZENEHALLGATÁS BLUETOOTH-ON KERESZTÜL

Az automata kapcsolódáshoz és a rádióról Bluetooth-on keresztül történő zenehallgatáshoz először párosítania kell Bluetooth készülékét a rádióval. A párosítás egy kapcsot hoz létre a két készülék között, hogy meg tudják ismerni egymást.

MEGJEGYZÉS:

- A jobb hangminőség érdekében ajánlatos a Bluetooth eszköze hangerejét a kétharmadnál nagyobbra állítani, a hangerőt ezután a rádión módosíthatja.
- A rádió legfeljebb 8 párosított eszköz megjegyzésére képes, ha ezt a számot meghaladja, a legrégebbi párosítási előzmény felülírásra kerül.

Bluetooth eszköze párosítása az első alkalommal

1. A bekapcsológomb megnyomásával kapcsolja be a rádiót. Válassza ki a Bluetooth módot a hullámsávvaltó gomb segítségével. A kijelzőn a “BT Pair” (Bluetooth párosítása) felirat jelenik meg és atárhelygombok (1-5) fehéren fognak villogni jelezve, hogy a rádió felfedezhető.
2. Kapcsolja be a Bluetooth-t a készülékén a készülék használati útmutatójában leírtak szerint, hogy csatlakozzon a rádióhoz. Keresse meg a Bluetooth eszközök listáját, és azon a “DMR115” nevű készüléket (olyan mobileszközökön, melyek a BT2.1-nél korábbi verzióval rendelkeznek előfordulhat, hogy meg kell adnia a “0000” jelszót).
3. Sikeres csatlakozás esetén egy megerősítő hangjelzést fog hallani. A tárhelygombot (1-5) ekkor fehéren fognak világítani, Egyszerűen válassza ki és játssza le zenéit a forráseszközéről. A hangerőt forráseszközén is állíthatja, vagy közvetlenül a rádión.
4. használja Bluetooth forráseszköze vagy a rádió kezelőszerveit a lejátszás elindításához,

szüneteltetéséhez, illetve a zeneszámok közti váltáshoz.

MEGJEGYZÉS:

- Ha 2 Bluetooth eszköz először kapcsolódik, mindkettő keresni kezdi a rádiót, az mindkettőn meg is fog jelenni. Az egyik eszközzel történő párosítást követően azonban a másik eszköz már nem fogja látni a rádiót.
- Ha a Bluetooth-eszköz csatlakozása a rádióhoz átmenetileg megszakad, a csatlakozást újra el kell végeznie manuálisan.
- Ha a ‘DMR DMR115’ látható a Bluetooth-eszköz listáján, de a csatlakozás sikertelen, törölje le az elemet a listáról, majd végezze el a párosítást az eszközzel az előzőekben ismertetett lépések szerint.
- A Bluetooth optimális hatósugara a rádiótól számítva körülbelül 10 méter (látótávolságban)
- Ha a Bluetooth kapcsolódás a leválasztási idő hosszúsága, a hatótávolság túllépése, akadályok vagy hasonló miatt megszakad, a csatlakozást lehet, hogy meg kell ismételni.
- A kapcsolat minőségét fizikai akadályok, más vezeték nélküli vagy elektromágneses eszközök is befolyásolhatják.
- A Bluetooth kapcsolódás minősége a párosított eszköztől is függ. A rádióhoz való kapcsolódás előtt nézzen utána az eszköze Bluetooth kapacitásának. Egyes párosított eszközök nem támogatják az összes funkciót.

Hangfájlok lejátszása Bluetooth módban

Miután a rádió sikeresen kapcsolódott egy kiválasztott Bluetooth-eszközhöz, a lejátszást vezérelheti a kapcsolódó Bluetooth-eszköz segítségével.

1. Miután a lejátszás megkezdődött, a hangerőt a rádió hangerőszabályzó gombja vagy a Bluetooth-eszköz hangerőszabályzója segítségével állíthatja.
2. A lejátszás elindításához, szüneteltetéséhez, illetve a zeneszámok közti váltáshoz használja Bluetooth forráseszköze kezelőszerveit. Emellett a lejátszás irányítható a lejátszás/szünet, a következő zeneszám, előző zeneszám gombokkal is a rádión.
3. Tartsa lenyomva a gyors előretekérés vagy a visszatekerés gombját az épp lejátszott zeneszámon belüli gyorskereséshez. Amint elérte a kívánt helyet, engedje fel a gombot.

MEGJEGYZÉS:

- Egyes zenelejátszó alkalmazások és eszközök nem biztos, hogy reagálnak minden kezelési műveletre.
- Egyes mobiltelefonoknál hívások indításakor vagy fogadásakor a kapcsolat átmenetileg megszakadhat. Más eszközöknél a Bluetooth zenelejátszása szöveges üzenetek, e-mailek fogadásakor vagy más,

a zenelejátszástól függetlenül egy rövid időre elnémulhat. Az ilyen viselkedés a csatlakoztatott eszköz funkciója, nem a rádió meghibásodására utal.

Lejátszás egy előzőleg párosított Bluetooth-forrásról

Amennyiben Bluetooth-eszközt már korábban párosította a rádióval, a készülék megjegyzi azt, és megpróbál kapcsolódni ahhoz az eszközhöz, amelyhez a legutóbb kapcsolódott. Ha a legutóbb kapcsolódott eszköz nem elérhető, a rádió felfedezhető állapotban marad.

Bluetooth eszköz leválasztása

Tartsa lenyomva a Bluetooth párosítás gombját 2-3 másodpercig, amíg a "BT Pair" feliratot nem látja a kijelzőn vagy kapcsolja ki a Bluetooth funkciót készülékén a csatlakozás megszüntetéséhez. A csatlakozás megszüntethető úgy is, hogy a hullámsávvaltó gomb segítségével a Bluetooth üzemmódról bármely más módra vált.

A megjegyzett párosított eszközök törlése

A memóriában tárolt korábban párosított készülékeket kitörölheti a Bluetooth párosítás gombjának 7 másodpercig tartó nyomva tartásával, amíg a „Clearing” (Törlés) felirat meg nem jelenik a kijelzőn.

AUX SEGÉDBEMENET

A készülék az elülső oldalán rendelkezik egy 3,5 mm-es AUX bemenettel is, mely lehetővé teszi egyes külső eszközökről például MP3- vagy CD-lejátszókról audiojelek továbbítását a készülékre.

1. Csatlakoztasson egy külső audioforrást (pl. MP3- vagy CD-lejátszót) az AUX IN bemenethez.
2. A rádió bekapcsolásához nyomja meg a bekapcsológombot.
3. Nyomja meg a hullámsávvaltó gombot többször egymás után addig, míg az „AUX IN” felirat meg nem jelenik a képernyőn.
4. A jobb hangminőség érdekében ajánlatos a Bluetooth eszköze hangerejét a kétharmadnál nagyobbra állítani, a hangerőt ezután a rádióon módosíthatja.

Megjegyzés:

Audiókábel nincs a mellékelt tartozékok között.

KARBANTARTÁS

⚠ VIGYÁZAT:

- Soha ne használjon gázolajt, benzint, hígítót, alkoholt vagy hasonló anyagokat. Ezek elszíneződést, alakvesztést vagy repedést okozhatnak.
- A rádiót ne mossa le vízzel.

SPECIFICHE TECNICHE

Áramellátás	
AC hálózati adapter	DC 12V 2,5A, középső pozitív tűvel
Akkumulátor	Becsúsztható akkumulátor: 10,8V - 18V
Frekvencia-tartomány	FM 87,50-108 MHz (0,05 MHz/lépés) DAB/DAB+ 174,928 - 239.200 MHz
DAB/DAB+ csatornablokk	DAB (Banda III) 5A-13F
Kompatibilis szabvány	DAB/DAB+

Bluetooth®	
(A Bluetooth® szóvédjegy és emblémák a Bluetooth SIG, Inc. tulajdonában lévő bejegyzett védjegyek.)	
Bluetooth verzió	5.0 Tanúsítva
Bluetooth profilok	A2DP/SCMS-T/AVRCP
Átviteli teljesítmény	Power Class2
Átviteli tartomány	Optimális: Max. 10 méter Lehetséges: Max. 30 méter (függ a használati feltételektől)
Bluetooth kodek	SBC, AAC
Maximális rádiófrekvenciás teljesítmény	BT EDR: 1.91dBm BT LE: 0.21dBm
Működési frekvencia	2402MHz~2480MHz

Áramkörjellemző	
Hangszóró	2,5 hüvely 8 ohm x2 4 hüvely 6 ohm x1
Kimenő teljesítmény	10,8V-12Vmax: 2W x2 +10W 14,4V: 3W x2 +15W 18V: 5W x2 +25W
Bemeneti terminál	3,5 mm átm. (AUX IN)
Antennarendszer	DAB/FM: Beépített antenna
Méret (H x Sz x M)	268 x 164 x 295 mm
Súly	4,8 KG (akkumulátor nélkül)

SLOVENČINA

(Originálny návod)

VYSVETLENIE VŠEOBECNÉHO POHĽADU (Obr. 1)

1. Rukoväť/Vstavaná anténa (DAB/FM)
2. Skriňa na batérie
3. Kryt priestoru pre batériu (kryt batérie)
4. Reproduktor
5. Zásuvka DC IN
6. Subwoofer
7. Tlačidlo napájania
8. Tlačidlo Band
9. Tlačidlo rozšíreného nastavenia
10. Tlačidlo Info
11. LED svetlo
12. Tlačidlo predvoľby 3/Play/Pause
13. Tlačidlo predvoľby 5
14. Tlačidlo predvoľby 4/Nasledujúca skladba/
Tlačidlo rýchleho pretáčania dopredu
15. Ovládanie hlasitosti/ladenia/Výberové tlačidlo
16. Ovládacie tlačidlo EQ
17. Zásuvka AUX IN
18. Port napájania USB
19. Tlačidlo automatického ladenia
20. LED indikátor režimu EQ
21. Tlačidlo predvoľby 2/predchádzajúca skladba/
tlačidlo vzad
22. Tlačidlo predvoľby 1/Bluetooth párovanie
23. LCD displej
24. Priestor pre batérie
25. Micro USB port pre aktualizáciu softvéru

SYMBOLY

Nasledujúci text zobrazuje symboly použité na zariadení. Uistite sa, že im pred použitím rozumiete.



Prečítajte si návod na použitie.



Len pre štáty EÚ.

Z dôvodu prítomnosti nebezpečných komponentov v zariadení môžu mať odpad z elektrických a elektronických zariadení, použité akumulátory a batérie negatívny vplyv na životné prostredie a ľudské zdravie.

Elektrické a elektronické zariadenia alebo akumulátory nelikvidujte spolu s komunálnym odpadom!

V súlade s európskou smernicou o

odpade z elektrických a elektronických zariadení, o akumulátoroch a batériách a odpade z akumulátorov a batérií, ako aj v súlade s prispôbenými vnútroštátnymi právnymi predpismi by sa odpad z elektrických a elektronických zariadení a použité akumulátory a batérie mali uskladňovať osobitne a odovzdávať na samostatnom zbernom mieste pre komunálny odpad, ktoré sa prevádzkuje v súlade s predpismi na ochranu životného prostredia.

Označuje to symbol preškrtnutej smetnej nádoby na zariadení.

DÔLEŽITÉ BEZPEČNOSTNÉ UPOZORNENIA

UPOZORNENIE:

Pri použití elektrických prístrojov je vždy dôležité dodržiavať bezpečnostné opatrenia- aby sa predišlo riziku vzniku ohňa, elektrickému šoku a osobným zraneniam- vrátane nasledujúcich:

1. Pred použitím si pozorne prečítajte tento návod na použitie a tiež návod na použitie pre nabíjačku.
2. Čistite len suchou handrou.
3. Neumiestňujte v blízkosti zdrojov tepla ako sú radiátory, tepelné registre, pece, a ďalších prístrojov (vrátane zosilňovačov), ktoré produkujú teplo.
4. Používajte len prípojky/príslušenstvo špecifikované výrobcom.
5. Vytiahnite zo zdroja počas búrok alebo ak zariadenie nevyužívate dlhšiu dobu.
6. Akumulátorom napájané rádio s integrovaným akumulátorom, alebo so samostatným akumulátorom sa smie nabíjať len vyšpecifikovanou nabíjačkou akumulátora. Nabíjačka vhodná pre jeden typ akumulátora môže pri inom type akumulátora spôsobiť riziko vzniku požiaru.
7. Rádio napájané akumulátorom používajte iba so špecifickým typom akumulátora. Použitie iného typu akumulátora môže spôsobiť riziko vzniku požiaru.
8. Ak akumulátor nepoužívate, držte ho mimo dosahu kovových predmetov ako sú: kancelárske sponky, mince, kľúče, klince, skrutky alebo ďalšie drobné kovové predmety, ktoré môžu nadviazať prepojenie z jedného pólu na druhý. Skratovaním kontaktov akumulátora môže dôjsť k iskreniu, popáleninám alebo požiaru.
9. Vyhnite sa kontaktu tela s uzemnenými povrchmi, ako sú potrubia, radiátory, sporáky a chladničky. Existuje zvýšené riziko úrazu elektrickým prúdom, ak vaše telo je uzemnené.
10. V nevhodných podmienkach môže kvapalina z akumulátora unikat; vyhnite sa kontaktu. Ak

- náhodou dôjde ku kontaktu, opláchnite vodou. Pri zasiahnutí očí, vyhľadajte lekársku pomoc. Unikajúca kvapalina z batérie môže spôsobiť podráždenie pokožky alebo popáleniny.
11. Nepoužívajte batériové články alebo nástroje, ktorý sú poškodené alebo upravené. Poškodené alebo upravené batérie môžu mať nepredvídateľné správanie, ktoré môže viesť k požiaru, explózii alebo riziku poranenia.
 12. Nevystavujte batériu alebo nástroj ohňu alebo nadmernej teplote. Vystavenie ohňu alebo teploty nad 130 °C(266°F) môže viesť k výbuchu.
 13. Riadte sa všetkými inštrukciami pre nabíjanie a nenabíjajte batériu alebo nástroj mimo rozsah teplôt špecifikovaných v návode. Nesprávne nabíjanie, alebo pri teplotách mimo špecifikovaný rozsah, môže viesť k poškodeniu batérie a zvýšiť riziko ohňa.
 14. Sieťová zástrčka sa používa ako odpájacie zariadenie a musí byť ľahko prístupná.
 15. Nepoužívajte produkt dlhší čas pri vysokej hlasitosti. Aby ste predišli poškodeniu sluchu, používajte produkt na strednej úrovni hlasitosti.
 16. (Len pre výrobky s LCD displejom) LCD displeje obsahujú tekutinu, ktorá môže spôsobiť podráždenie i otravu. Ak kvapalina prenikne do očí, úst alebo pokožky, vypláchnite ju vodou a zavolajte lekára.
 17. Nevystavujte výrobok dažďu ani mokrému prostrediu. Vniknutie vody do výrobku zvyšuje riziko úrazu elektrickým prúdom.
 18. Tento výrobok nie je určený na použitie osobami (vrátane detí) so zníženými fyzickými, zmyslovými alebo duševnými schopnosťami alebo nedostatkom skúseností a vedomostí, pokiaľ nie sú pod dohľadom alebo poučení o používaní výrobku osobou zodpovednou za ich bezpečnosť. Deti by mali byť pod dozorom, aby sa zamedzila ich hra s týmto výrobkom. Výrobok uchovávajte mimo dosahu detí.

UCHOVAJTE SI POKYNY

ŠPECIFICKÉ BEZPEČNOSTNÉ PRAVIDLÁ

PRE ZÁSObNÍK BATÉRIE

1. Pred použitím zásobníka batérie si prečítajte všetky pokyny a varovné symboly na (1) nabíjačke, (2) batérii a (3) výrobku využívajúceho batériu.
2. Nikdy zásobník batérie nerozoberajte.
3. Ak sa prevádzková doba príliš skrátila, prerušte okamžite prevádzku. Môže to mať za následok riziko vzniku prehrievania, popálenia alebo dokonca výbuchu.
4. Ak sa elektrolyt dostane do očí, vypláchnite ich

čistou vodou a ihneď vyhľadajte lekársku pomoc. Môže to viesť k strate zraku.

5. Neskratujte zásobník batérie:
 - (1) Nedoťahujte sa pálov žiadnym vodivým materiálom.
 - (2) Zásobník batérie neskladujte v nádobe s inými kovovými predmetmi, ako sú klince, mince, a pod.
 - (3) Nevystavujte zásobník batérie vode a dažďu. Skrat batérie môže spôsobiť veľký prietok prúdu, prehrievanie, možné popáleniny a poruchu.
6. Neskladujte prístroj a zásobník batérie na miestach, kde môže teplota dosiahnuť alebo prekročiť 50°C (122°F)
7. Nespalujte zásobník batérie, ani keď je vážne poškodený alebo celkom opotrebovaný. Zásobník batérie môže vo ohni vybuchnúť.
8. Dávajte pozor, aby ste batériu neupustili ani s ňou neudierali.
9. Nepoužívajte poškodenú batériu.
10. Pre vyhnutie sa riziku pri použití si prečítajte najprv manuál na výmenu batérie. A maximálny vybijací prúd batérie by mal byť väčší alebo rovný 8A.
11. Obsahované lítium-iónové batérie podliehajú požiadavkám právnych predpisov týkajúcich sa nebezpečného tovaru. Pre komerčnú prepravu, napr. tretími stranami, zasielateľmi, musí byť dodržané osobitné balenie a označenie. Pre prípravu odoslania položky musí byť konzultovaný expert na nebezpečný materiál. Dodržujte prosím aj možné podrobnejšie národné predpisy. Zalepte páskou alebo zakryte otvorené kontakty a zabaľte batériu tak, aby sa nemohla v balení pohybovať.
12. Pri likvidácii akumulátora ho vyberte z náradia a zlikvidujte na bezpečnom mieste. Dodržujte miestne predpisy týkajúce sa likvidácie batérie.
13. Používajte batérie iba s výrobkami špecifikovanými spoločnosťou Makita. Inštalácia batérií do nevyhovujúcich výrobkov môže viesť k vzniku požiaru, nadmernému teplu, výbuchu alebo úniku elektrolytu. Ak sa náradie dlhšiu dobu nepoužíva, musí sa z náradia vybrať akumulátor.

⚠ POZOR:

- Nebezpečenstvo explózie ak je batéria vymenená nesprávne.
- Nahraďte iba za rovnaký alebo ekvivalentný typ.
- Používajte len originálne batérie Makita. Použitie neoriginálnych batérií alebo batérií, ktoré boli upravené, môže mať za následok výbuch batérie spôsobujúci požiar, zranenie a poškodenie. Tiež to povedie k zrušeniu záruky na výrobok a nabíjačku Makita.

Tipy pre zachovanie maximálnej životnosti batérie

1. Nabíte zásobník batérie pred úplným vybitím. Vždy najprv zastavte prístroj a dobite zásobník batérie, keď si všimnete jeho znížený výkonu.
2. Nikdy nenabíjajte úplne nabitý zásobník batérie.
3. Nabíjajte zásobník batérie pri izbovej teplote 10°C - 40°C (50°F - 104°F). Nechajte horúci zásobník batérie vychladnúť pred nabíjaním.
4. Nabíte zásobník batérie, ak ho neplánujete používať dlhšiu dobu (viac ako šesť mesiacov).

DOBA PREVÁDZKY

Vhodné batérie pre toto rádio sú uvedené v nasledujúcej tabuľke.

Nasledujúca tabuľka ukazuje dobu prevádzky na jedno nabitie.

Kapacita akumulátora	Napätie bloku akumulátora			AT VYSTUP REPRODUKTORA = 100mW Jednotka: Hodina (približne)	
	10.8V –12Vmax	14.4V	18V	V režime rádio alebo v režime externého zariadenia (AUX)	V technológii Bluetooth + USB nabíjanie
1.3 Ah		BL1415		3.5	0.7
			BL1815	4.0	1.0
1.5 Ah	BL1015 BL1016			5.5	0.8
		BL1415N BL1415NA		4.5	0.9
			BL1815N	5.0	1.2
2.0 Ah	BL1020B BL1021B			7.0	1.0
			BL1820 BL1820B	6.5	1.6
3.0 Ah		BL1430 BL1430B BL1430A		8.0	1.6
			BL1830 BL1830B	9.0	2.3
4.0 Ah	BL1040B BL1041B			14	2.1
		BL1440		12	2.5
			BL1840 BL1840B	13	3.2
5.0Ah		BL1450		15	3.0
			BL1850 BL1850B	16	4.2
6.0 Ah		BL1460B BL1460A		16	3.3
			BL1860B	20	5.0

⚠ UPOZORNENIE:

Používajte len kazety s batériami uvedené vyššie. Používanie akýchkoľvek iných kaziet s batériami môže spôsobiť zranenie a/alebo požiar.

Poznámka:

- Tabuľka týkajúca sa vyššie uvedenej doby prevádzky akumulátora je referenčná.
- Skutočná doba prevádzky sa môže líšiť v závislosti od typu batérie, stavu nabíjania alebo prostredia použitia.
- Niektoré z vyššie uvedených batérií a nabíjačiek nemusia byť dostupné v závislosti od oblasti vášho bydliska.

INŠTALÁCIA A NAPÁJANIE (Obr. 2)

⚠ VAROVANIE:

- Pri otvárani a zatváraní krytu priehradky na akumulátor si dávajte pozor na zranenie prstov.
- Po vložení alebo odobratí akumulátora z priehradky ju znovu zablokujte. V opačnom prípade môže akumulátor vypadnúť z rádia a poraniť Vás alebo druhých.
- Pred prenesením rádia vždy uzavrite a zablokujte priehradku na akumulátor.
- Pred inštaláciou alebo vybratím akumulátora vždy vypnite rádio.
- Dbajte na to, aby Vám rádio nepadlo alebo ste doň nevrazili. Rozbitý povrch Vás môže zraniť. Poškodené rádio môže fungovať nepredvídateľne a spôsobiť požiar, výbuch alebo nebezpečenstvo poranenia.

DÔLEŽITÉ:

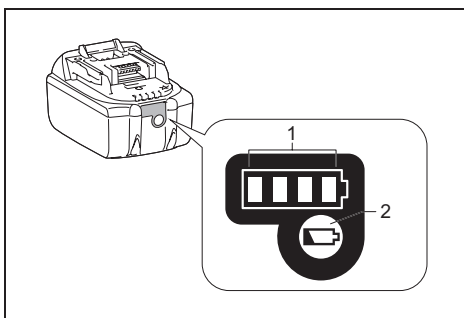
- Zníženie výkonu, skreslenie, „kockavý zvuk“ alebo keď sa na displeji zobrazí **! Battery Low** to znamená, že je potrebné vymeniť hlavnú batériu.
- Akumulátor nemôže byť nabíjaný pomocou dodaného sieťového adaptéra.
- Akumulátor nie je súčasťou štandardného balenia.

Inštalácia alebo vybratie bloku zásuvného akumulátora (Obr. 3 & 4)

- Akumulátor vložte tak, že jazyk na bloku akumulátora nasmerujete na ryhu v kryte a zasuniete ho na miesto. Vždy zatlačte úplne, kým kliknutím nezapadne v správnej polohe.
- Ak vidíte červený indikátor na hornej strane tlačidla, nie je správne zapadnutý. Nainštalujte ho teda úplne tak, aby tento červený indikátor nebolo vidieť. V opačnom prípade môže náhodne vypadnúť z rádia a ublížiť vám alebo osobám v okolí.
- Blok akumulátora nekladajte nasilu. Ak sa blok akumulátora nedá zasunúť ľahko, nekladáte ho správne..
- K odstráneniu bloku akumulátora ho vysuňte z rádia za súčasného vysúvania tlačidla na jeho prednej strane.

Indikácia zostávajúceho nabitia akumulátora

* *Len akumulátory s označením „B“ na konci čísla modelu.*



➤ 1. Kontrolky 2. Tlačidlo kontroly

Ak chcete zobraziť zostávajúce nabitie akumulátora, stlačte tlačidlo Check (Kontrola) na akumulátore. Na niekoľko sekúnd sa rozsvietia svetelné indikátory.

• 14.4V/18V batérie

Kontrolky			Zostávajúca kapacita
Rozsvietené	Vypnuté	Blikajúce	
■ ■ ■ ■			75% ~ 100%
■ ■ ■ □			50% ~ 75%
■ ■ □ □			25% ~ 50%
■ □ □ □			0% ~ 25%
▣ □ □ □			Nabíte batériu
■ ■ □ □	↑	■ ■	Batéria pravdepodobne zlyhala

• 10.8V-12V max batérie

Kontrolky			Zostávajúca kapacita
Rozsvietené	Vypnuté	Blikajúce	
■ ■ ■ ■			75% ~ 100%
■ ■ ■ □			50% ~ 75%
■ ■ □ □			25% ~ 50%
■ □ □ □			0% ~ 25%

POZNÁMKA:

V závislosti od podmienok použitia a okolitej teploty sa môže zobrazenie mierne líšiť od skutočnej kapacity.

Použitie dodaného sieťového adaptéra.

Odstraňte gumovú ochranu a vložte zástrčku adaptéra do zásuvky na jednosmerné napätie na pravej strane rádia. Zastrčte adaptér do štandardnej sieťovej zásuvky. Keď je používaný adaptér, je akumulátorový blok automaticky odpojený.

⚠ **VAROVANIE:**

- **Pred prenesením rádia vždy sieťový adaptér vypojte. V opačnom prípade môže prísť k elektrickému šoku.**
- **Nikdy neťahajte za kábel sieťového adaptéra. Rádio by mohli padnúť a spôsobiť zranenie Vám alebo druhým.**

DÔLEŽITÉ:

- Adaptér je určený na zapojenie rádia do elektrickej siete. Počas používania rádia musí byť sieťová zásuvka prístupná.
- Pre vypojenie rádia vypojte adaptér zo zásuvky.
- Používajte napájací adaptér dodávaný spolu s výrobkom alebo špecifikovaný spoločnosťou Makita.
- Nedržte kábel napájania a zásuvku ústami. Mohlo by to spôsobiť zásah elektrickým prúdom.
- Nedotýkajte sa elektrickej zástrčky mokrymi alebo masťnými rukami.
- Poškodené alebo zamotané káble zvyšujú nebezpečenstvo zásahu elektrickým prúdom. Ak je kábel poškodený, nechajte ho vymeniť našim autorizovaným servisným strediskom, aby sa predišlo bezpečnostnému riziku. Nepoužívajte ho pred opravou.
- Po použití vždy uložte sieťový adaptér mimo dosahu detí. Ak sa deti hrajú s káblom, môžu utrpieť zranenie.

Nabíjanie pomocou USB portu na napájanie

Na prednej strane rádia sa nachádza USB port. Zariadenie s rozhraním USB môžete nabíjať pomocou USB portu.

1. Zariadenie s rozhraním USB, napr. prehrávač MP3 alebo prehrávač diskov CD pripojte pomocou USB kábla dostupného na trhu.
2. Stlačením tlačidla Napájanie zapnite rádio.
3. No Bez ohľadu na to, či je rádio napájané striedavým prúdom alebo napájané z batérie, rádio môže nabíjať zariadenie USB, keď je rádio zapnuté a v režime rádia DAB/FM alebo v režime BT alebo v režime AUX, ktoré sa objaví ak je externé zariadenie pripojené.

Poznámka:

- Počas nabíjania pomocou rozhrania USB sa maximálna hlasitosť na výstupe reproduktora zníži.
- Zásuvka dokáže zabezpečiť elektrický prúd maximálnej hodnoty 2.4A, 5 V.

Dôležité:

- Pred pripojením zariadenia s rozhraním USB do USB portu vždy vykonajte zálohovanie svojich údajov uložených v zariadení s rozhraním USB. V opačnom prípade môže dôjsť ku strate údajov.
- Radio nedokáže napájať niektoré zariadenia s rozhraním USB.
- Počas nepoužívania alebo po nabití odpojte USB kábel a zatvorte kryt.
- K USB portu nepripájajte zdroj napájania. V opačnom prípade môže dôjsť k riziku požiaru. USB port je určený len na nabíjanie nízkonapäťového zariadenia. Ak nebudete nízkonapäťové zariadenie nabíjať, vždy na USB port nasadte kryt.
- Do napájacieho USB portu nezasúvajte klinec, drôt a pod. V opačnom prípade môže dôjsť ku skratovaniu obvodu s následným dymením a vznikom požiaru.
- Túto USB zásuvku nepripájajte k USB portu na počítači, pretože je veľmi pravdepodobné, že dôjde k poškodeniu jednotiek.

POČÚVANIE RÁDIA

Toto rádio využíva tri metódy ladenia – ladenie s vyhladávaním, manuálne ladenie a vyvolanie predvolieb z pamäte.

Selecting a station – DAB

Poznámka:

Anténa DAB je zabudovaná v rukoväti. Pri prevádzke rádia, prosím, správne narovnajete rúkovať nad rádiom, aby ste získali lepší príjem.

1. Stlačením tlačidla Power zapnete rádio.
2. Stlačením tlačidla Band zvolte režim DAB
3. Stlačením ovládača ladenia "Tuning Control knob" vstúpite do zoznamu staníc. Môžete tiež stlačiť tlačidlo Rozšírené nastavenia "Advanced setting button" a potom otočením ovládača ladenia vyberte položku „Zoznam staníc“. Stlačením ovládača ladenia vstúpite do zoznamu staníc.
4. Otočte ovládač ladenia "Tuning Control knob" pre vstup do zoznamu dostupných staníc. Stlačte tlačidlo ovládača ladenia " Tuning Control knob" pre výber stanice.
5. Nastavte požadovanú hlasitosť otáčaním tlačidla hlasitosti "Volume knob."

Režimy zobrazenia – DAB

Vaše rádio má v režime DAB celý rad možností zobrazenia.

Stlačením tlačidla Info môžete prechádzať rôznymi možnosťami.

- | | |
|--------------------------------|--|
| a. Štítok dynamického segmentu | Doplnkové dátové služby v textovej forme (do 128 znakov) bežiacie vedľa rozhlasového programu DAB alebo DAB +. Zobrazuje posúvajúce sa textové správy, ako napríklad meno interpreta/skladby, telefónne číslo atď. |
| b. Typ programu | Zobrazuje typ počúvanej stanice, ako napríklad Pop, Classic, News atď. |
| c. Názov multiplexu | Zobrazuje názov multiplexu DAB, ku ktorému aktuálna stanica patrí. |
| d. Frequency and channel | Zobrazuje frekvenciu a číslo kanálu pre aktuálne naladenú stanicu DAB. |
| e. Chyba signálu/sila | Zobrazuje chybu signálu a silu pre počúvanú stanicu. Nižšie číslo chyby označuje lepšiu kvalitu rádiového signálu. |
| f. Bitová rýchlosť/Typ zvuku | Zobrazuje bitovú rýchlosť digitálneho zvuku a typ zvuku pre aktuálne naladenú stanicu DAB. |
| g. Dátum | Zobrazí aktuálny dátum. |

Ak DAB vysielanie poskytujete prezentáciu, môže sa zobraziť celý displej stlačením a podržaním ovládača ladenia. Ak je prijímané vysielanie v stereofónnom režime, symbol stereo reproduktora sa zobrazí v dolnej časti displeja.

Hľadanie nových staníc – DAB

Z času na čas môžu byť k dispozícii nové rozhlasové stanice DAB. Alebo ak ste sa presťahovali do inej časti krajiny. V tomto prípade budete musieť aktivovať rádio, aby ste vyhľadali nové stanice.

Ak chcete, aby rádio našlo dostupné stanice, odporúča sa vykonať úplný prehľad všetkých frekvencií DAB Band III.

1. Stlačením tlačidla Power zapnete rádio.
2. Stlačením tlačidla Pásmo vyberte režim DAB rádia.
3. Stlačením tlačidla Auto tune spustíte skenovanie. Na displeji sa zobrazí „Skenovanie“ a rádio vykoná skenovanie frekvencií DAB pásma III. Po nájdení nových staníc sa zvýši počítadlo staníc a stanice sa pridajú do zoznamu. Stĺpcový graf zobrazuje priebeh skenovania.

Manuálne ladenie – DAB

Manuálne ladenie vám umožňuje naladiť rádio na konkrétnu frekvenciu DAB v pásme III. Túto funkciu môžete tiež použiť na pomoc pri umiestnení antény alebo rádia tak, aby sa optimalizoval príjem pre konkrétny kanál alebo frekvenciu.

1. Keď sa nachádzate v režime DAB, stlačte tlačidlo Rozšírené nastavenia, aby ste vstúpili do nastavenia

ponuky.

2. Otáčaním ovládača ladenia zvolte “Manual Tune”. Stlačením ovládača ladenia vstúpíte do režimu manuálneho ladenia.
3. Otáčaním ovládača ladenia vyberte požadovaný kanál DAB. Stlačte ovládač ladenia na potvrdenie zvolenej frekvencie.

Ovládanie dynamického rozsahu (DRC) – DAB

Funkcia DRC umožňuje jednoduchšie počúvanie tichších zvukov, keď sa rádio používa v hlučnom prostredí znížením dynamického rozsahu zvukového signálu. Existujú tri úrovne kompresie:

- | | |
|-----|---------------------------------|
| 1 | Používa sa maximálna kompresia. |
| 1/2 | Používa sa stredná kompresia. |
| 0 | Nepoužíva sa žiadna kompresia. |

1. Keď sa nachádzate v režime DAB, stlačte tlačidlo Rozšírené nastavenia a vstúpte do menu nastavenia.
2. Otáčaním ovládača ladenia zvolte “DRC”. Potom stlačte tlačidlo Ladenie Ovládač pre vstup do nastavenia. Na displeji sa zobrazí aktuálna hodnota DRC.
3. Otáčaním ovládača ladenia vyberte požadované nastavenie DRC.
4. Nastavenie potvrdte stlačením ovládača ladenia.

Nastavenie poradia staníc – DAB

Vaše rádio má 3 nastavenia poradia staníc, z ktorých si môžete vybrať. Nastavenia poradia staníc sú pre alfanumerické, kompletne a platné stanice..

1. Keď sa nachádzate v režime DAB, stlačte tlačidlo Rozšírené nastavenia a vstúpte do menu nastavenia menu.
2. Otáčaním ovládača ladenia vyberte položku „Station order“ a potom stlačte tlačidlo Ovládač ladenia pre vstup do nastavenia.
3. Otáčaním ovládača ladenia vyberte nasledujúce možnosti a nastavenie potvrdte stlačením ovládača ladenia.

Alphanumeric	Triedi zoznam staníc alfanumericky 0 ... 9 A ... Z.
Ensemble	Organizuje zoznam staníc pomocou multiplexu DAB.
Valid	Zobrazí len tie stanice, pre ktoré je možné nájsť signál.

Ladenie skenovania –FM

Poznámka:

Anténa FM je zabudovaná v rukoväti. Pri prevádzke rádia, prosím, správne narovnajtie rukoväť nad rádiom, aby ste získali lepší príjem.

1. Stlačením tlačidla Power zapnite rádio.
2. Stlačením tlačidla Pásmo vyberte režim FM rádio.
3. Stlačením tlačidla Auto tune a rádio vyhľadá a zastaví automaticky, keď nájde rozhlasovú stanicu.
4. Po niekoľkých sekundách sa displej aktualizuje. Na displeji sa zobrazí frekvencia nájdeného signálu. Ak je signál dostatočne silný a s prítomné údaje RDS, rádio zobrazí názov stanice.
5. Ak chcete vyhľadať inú stanicu, stlačte znovu tlačidlo Auto tune.
6. Keď sa dosiahne koniec vlnového pásma, rádio začne ladiť z opačného konca vlnového pásma.
7. Otáčaním ovládača hlasitosti nastavte úroveň zvuku podľa potreby

Poznámka:

Hlasitosť by nemala byť príliš vysoká. Aby ste predišli možnému poškodeniu sluchu, nepočúvajte dlhodobo vysoké úrovne hlasitosti.

8. Ak chcete rádio vypnúť, stlačte tlačidlo Napájanie.

Manuálne ladenie - FM

1. Stlačením tlačidla Power zapnite rádio.
2. Stlačením tlačidla Pásmo vyberte režim FM rádio.
3. Stlačením ovládacieho gombíka ladenia prepnete na ovládanie ladenia
4. Otáčaním ovládača ladenia vyhľadajte požadovanú stanicu.
5. Na nastavenie hlasitosti opätovne stlačte tlačidlo ladenia aby ste prepli do režimu nastavenia zvuku.
6. Otáčaním ovládača hlasitosti nastavte úroveň zvuku podľa potreby.

Režimy zobrazenia - FM (RDS)

Vaše rádio má celý rad možností zobrazenia pre režim FM rádia.

Indikátor RDS v dolnej časti displeja ukazuje, že v prijímanom vysielaní sú prítomné niektoré údaje RDS. Displej so stereofónnym reproduktorom ukazuje, že rádio prijíma stereo vysielanie.

Opakovaným stlačením tlačidla Info zobrazíte informácie o RDS (Radio Data System) stanice, ktorú počúvate.

- | | |
|-----------------|---|
| a. Rádiový text | Zobrazí textovú správu rádia, napríklad nové položky atď. |
| b. Typ programu | Zobrazuje typ počúvanej stanice, ako napríklad Pop, Classic, News atď. |
| c. Frekvencia | Zobrazuje frekvenciu FM signálu. (Ak nie sú k dispozícii žiadne informácie RDS, na displeji sa zobrazí „No Name“. |
| d. Audio režim | Zobrazí aktuálny režim zvuku. |
| e. Dátum | Zobrazí aktuálny dátum. |

Zóna skenovania FM

Keď používate režim FM, rádio môže byť nastavené na skenovanie buď lokálnych staníc, alebo na vyhľadávanie všetkých staníc vrátane vzdialených rozhlasových staníc.

1. Keď sa nachádzate v režime FM, stlačením tlačidla Rozšírené nastavenia vstúpite do ponuky nastavení.
2. Otáčaním ovládacieho gombíka Tuning zvolíte "Scan zone". Stlačením ovládača Tuning vstúpite do nastavenia. Aktuálne nastavenie zvuku je označené zaškrtnutím.
3. Otáčaním ovládacieho gombíka Tuning zvolíte "Local" (len silné stanice) alebo "Distant" (všetky stanice). Vzdialená možnosť „distant option“ umožní rádiu nájsť slabšie signály pri skenovaní.
4. Nastavenie potvrdíte stlačením ovládacieho gombíka Tuning. Miestne alebo vzdialené nastavenie je uložené v rádiu a zostáva v platnosti, kým sa nezmení alebo kým sa systém nevykluje.


Nastavenie Stereo/Mono - FM

Ak ma počúvaná rádiová stanica FM slabý signál, nejaké syčanie je môže byť počuteľne. Toto syčanie je možné redukovat' tým, že prinútime rádio, aby prehrávalo stanicu v mono a nie v stereo.

1. Skontrolujte, či je rádio v režime FM a nalaďte požadovanú stanicu FM.
2. Stlačením tlačidla Rozšírené nastavenia vstúpite do nastavenia ponuky.
3. Otáčaním ovládacieho gombíka Tuning zvolíte "Audio Setting". Stlačením ovládača Tuning vstúpite do nastavenia. Aktuálne nastavenie zvuku je označené zaškrtnutím.
4. Otáčaním ovládača ladenia vyberte možnosť „Forced Mono“ alebo „Stereo Allowed“. Nastavenie potvrdíte stlačením ovládacieho gombíka Tuning.

Prednastavenie staníc v režimoch DAB a FM

Pre DAB a FM rádio je k dispozícii 5 predvolených staníc. Používajú sa rovnakým spôsobom pre každé vlnové pásmo.

1. Stlačením tlačidla Power zapnite rádio.
2. Stlačte tlačidlo Band, aby ste zvolili požadované vlnové pásmo. Nalaďte požadovanú rozhlasovú stanicu, ako je popísané vyššie.
3. Stlačte a podržte požadované tlačidlo predvolby, kým sa na displeji nezobrazí „Preset 1 saved“ (napr.)  sa zobrazí v spodnej časti displeja. Stanica sa potom uloží do zvoleného tlačidla predvolby. Tento postup opakujte pre zostávajúce predvolby podľa vlastného želania.
4. Uložené stanice, ktoré už boli uložené, môžu byť v prípade potreby prepísané nasledujúcim postupom.

Vyvolanie predvoľby v DAB a FM

1. Stlačením tlačidla Power zapnete rádio.
2. Stlačením tlačidla Pásmo vyberte režim DAB alebo FM rádio.
3. Krátkym stlačením požadovaného tlačidla predvoľby naladíte rádio na jednu zo staníc uložených v pamäti predvoľieb.

RÔZNE NASTAVENIA

Automatická aktualizácia hodín

Môžete určiť, že rádio nastaví svoje hodiny z rozhlasového vysielania DAB alebo FM. Po výpadku napájania rádio potom nastaví svoje hodiny pri ďalšom zapnutí rádia v režime DAB alebo FM.

1. Keď je rádio zapnuté, stlačte tlačidlo Rozšírené nastavenia, aby ste vstúpili do menu aktuálneho režimu.
2. Otáčaním ovládacieho gombíka Tuning zvolíte "Time/Date". Stlačením ovládača Tuning vstúpíte do nastavenia.
3. Otáčaním ovládacieho gombíka Tuning zvolíte "Auto Update". Stlačením ovládacieho gombíka ladenia vstúpíte do ponuky automatickej aktualizácie.
4. Otáčaním ovládacieho gombíka Tuning vyberte možnosť aktualizácie z „from Any“, „from DAB“ alebo „from FM“ podľa potreby. Stlačením ovládacieho gombíka Tuning potvrdíte svoju voľbu. Aktuálne nastavenie bude označené zaškrtnutím.

Nastavenie formátu hodín

1. Keď je rádio zapnuté, stlačte tlačidlo Rozšírené nastavenia, aby ste vstúpili do menu aktuálneho režimu.
2. Otáčaním ovládacieho gombíka Tuning zvolíte "Time/Date". Stlačením ovládača Tuning vstúpíte do nastavenia.
3. Otáčaním ovládacieho gombíka Tuning zvolíte "Set 12/24 Hour". Stlačením ovládacieho gombíka ladenia zadajte nastavenie formátu hodín. Aktuálny formát zobrazenia hodín je označený zaškrtnutím.
4. Otáčaním ovládača ladenia vyberte 12 alebo 24-hodinový formát. Nastavenie potvrdíte stlačením ovládacieho gombíka ladenia. Ak je zvolený 12-hodinový formát, rádio zobrazí 12-hodinové hodiny s indikátorom AM alebo PM.

Nastavenie formátu dátumu

1. Keď je rádio zapnuté, stlačte tlačidlo Rozšírené nastavenia, aby ste vstúpili do menu aktuálneho režimu.
2. Otáčaním ovládacieho gombíka Tuning zvolíte "Time/Date". Stlačením ovládača Tuning vstúpíte do

nastavenia.

3. Otáčaním ovládacieho gombíka Tuning zvolíte "Set Date Format". Stlačením ovládača Tuning vstúpíte do nastavenia.
4. Otáčaním ovládača ladenia vyberte formát „DD-MM-RRRR“ alebo „MM-DD-RRRR“. Nastavenie potvrdíte stlačením ovládača ladenia.

Hlasitosť

Nastavením funkcie hlasitosti môžete získať kompenzáciu na nižšej a vyššej frekvencii rádia.

1. Keď je rádio zapnuté, stlačte tlačidlo Rozšírené nastavenia, aby ste vstúpili do menu aktuálneho režimu.
2. Otáčaním ovládacieho gombíka Tuning zvolíte "Loudness". Stlačením ovládača Tuning vstúpíte do nastavenia.
3. Otáčaním ovládacieho gombíka Tuning zvolíte "On" pre zapnutie funkcie hlasitosti. Pre vypnutie funkcie hlasitosti zvolíte "Off". Nastavenie potvrdíte stlačením ovládača ladenia.

Možnosti jazyka

V rádiu je k dispozícii osem jazykových možností: angličtina, nemčina, taliančina, francúzština, holandčina, dánčina, nórčina a poľština.

1. Keď je rádio zapnuté, stlačte tlačidlo Rozšírené nastavenia, aby ste vstúpili do menu aktuálneho režimu.
2. Otáčaním ovládacieho gombíka Tuning zvolíte "Language". Stlačením ovládača Tuning vstúpíte do nastavenia.
3. Otáčaním ovládača ladenia vyberte požadovaný jazyk. Nastavenie potvrdíte stlačením ovládacieho gombíka ladenia.

Výrobné resetovanie

Ak chcete rádio úplne resetovať do pôvodného stavu, môžete ho vykonať podľa tohto postupu. Vykonaním resetovania z výroby sa vymažú všetky nastavenia zadané používateľom.

1. Keď je rádio zapnuté, stlačte tlačidlo Rozšírené nastavenia, aby ste vstúpili do menu aktuálneho režimu.
2. Otáčaním ovládacieho gombíka Tuning zvolíte "Factory Reset". Stlačením ovládača Tuning vstúpíte do nastavenia.
3. Otáčaním ovládacieho gombíka Tuning zvolíte "Yes" alebo "No". Ak nechcete vykonať reset systému, zvolíte "No" a potom stlačte ovládač Tuning na potvrdenie nastavenia. Po zvolení „Yes“ stlačte ovládač ladenia. Bude vykonaný úplný reset. Zoznam staníc a predvoľby budú vymazané. Všetky nastavenia budú nastavené na predvolené hodnoty.

V prípade poruchy v dôsledku elektrostatického výboja resetujte výrobok (môže byť potrebné opätovné pripojenie zdroja napájania), aby sa obnovila normálna prevádzka.

Micro USB port pre aktualizáciu softvéru

Aktualizácie softvéru pre vaše rádio môžu byť dostupné v budúcnosti.

Aktualizácie softvéru sa stávajú dostupným softvérom a informácie o tom, ako aktualizovať rádio, nájdete na webovej stránke spoločnosti Makita.

1. Pomocou kábla micro USB (nie je súčasťou dodávky) pripojte zásuvku USB v priehradke na batérie a počítač.
2. Keď je rádio zapnuté, stlačte tlačidlo Rozšírené nastavenia, aby ste vstúpili do menu aktuálneho režimu.
3. Otáčaním ovládacieho gombíka Tuning zvolte "Software Update". Stlačením ovládača Tuning vstúpite do nastavenia.
4. Otáčaním ovládacieho gombíka Tuning zvolte "Yes" alebo "No". Ak nechcete vykonať aktualizáciu softvéru, vyberte možnosť „No“ a stlačením ovládača ladenia nastavenie potvrdíte. Po zvolení „Yes“ stlačte ovládač ladenia. Na displeji sa zobrazí „Waiting for PC wizard“. Ak chcete prevziať najnovší softvér, prejdite na webovú stránku. Ak chcete dokončiť aktualizáciu softvéru, postupujte podľa pokynov na obrazovke počítača dodaného s aktualizáčnym softvérom.

Poznámka:

Pri aktualizácii softvéru používajte ako hlavný zdroj napájací adaptér. Nevypínajte rádio, kým sa aktualizácia neukončí a rádio sa nereštartuje, inak sa môže zariadenie trvalo poškodiť.

Verzia softvéru

1. Keď je rádio zapnuté, stlačte tlačidlo Rozšírené nastavenia, aby ste vstúpili do menu aktuálneho režimu.
2. Otáčaním ovládacieho gombíka Tuning zvolte "Software Version". Stlačením ovládača ladenia zobrazíte verziu softvéru.

Funkcia ekvalizéra

Existuje 7 druhov farebných LED indikátorov okolo ovládača ladenia, ktoré indikujú rôzne režimy EQ.

1. Stlačením tlačidla Napájanie zapnete rádio.
2. Stlačením ovládacieho tlačidla EQ vstúpite do menu nastavení EQ.
3. Otáčaním ovládacieho tlačidla Ladenie vyberte požadovaný režim. Potom potvrdte voľbu stlačením gombíka Ladenie.

Režim EQ	LED indikátor
FLAT	White
JAZZ	Blue
ROCK	Red
CLASSIC	Brown
POP	Pink
NEWS	Yellow
MY EQ	Green

Nastaviť môj profil EQ

1. Stlačením ovládacieho tlačidla EQ otvorte ponuku nastavení EQ.
2. Otáčaním ovládača ladenia vyberte "MY EQ Setup". Potom stlačte ovládač ladenia pre vstup do menu nastavení.
3. Otáčaním ovládača ladenia vyberte nastavenie „Treble“. Stlačením ovládača Tuning vstúpite do nastavenia. Otáčaním ovládača ladenia vyberte požadovanú úroveň výšok. Nastavenie potvrdte stlačením ovládača ladenia.
4. Otáčaním ovládacieho gombíka Tuning zvolte nastavenie „Middle“. Stlačením ovládača Tuning vstúpite do nastavenia. Otáčaním ovládača ladenia vyberte požadovanú strednú úroveň. Nastavenie potvrdte stlačením ovládača ladenia.
5. Otáčaním ovládača ladenia vyberte nastavenie „Bass“. Stlačením ovládača Tuning vstúpite do nastavenia. Otáčaním ovládača ladenia vyberte požadovanú úroveň basov. Nastavenie potvrdte stlačením ovládača ladenia.

Poznámka:

Ak používate ekvalizér na zdôraznenie basov a počúvate pri vysokej hlasitosti, môže to spôsobiť praskanie a skreslenie zvuku. V tomto prípade nastavte správne hlasitosť rádia.

POČÚVANIE HUDBY CEZ BLUETOOTH STREAMING

K automatickému pripojeniu pre prehrávanie/streamovanie hudby Bluetooth cez rádio najprv potrebujete spárovať zariadenie s rádiom. Párovanie vytvorí "väzbu", na základe ktorej sa dve zariadenia budú poznať.

Poznámka:

- Pre lepšiu kvalitu zvuku odporúčame nastaviť hlasitosť na Vašom Bluetooth zariadení na viac ako 2/3 a následne prispôbiť hlasitosť na rádiu podľa potreby.
- Rádio si dokáže zapamätať až 8 spárovaných zariadení. Ak je zariadení viac, najstarší záznam bude vymazaný a nahradený.

Prvé spárovanie zariadenia použitím Bluetooth

1. Stlačením tlačidla Power zapnete rádio. Stlačením tlačidla Band vyberte režim Bluetooth. Na displeji sa zobrazí „BT Pair“ a tlačidlá prednastavenia (1-5) blikajúce biele svetlo, aby sa rádio zobrazilo.
2. V prístroji aktivujte Bluetooth podľa návodu na obsluhu zariadenia, aby ste mohli pripojiť rádio. Vyhľadajte zoznam zariadení Bluetooth a vyberte zariadenie s názvom „DMR115“ (Pri niektorých mobilných telefónoch, ktoré sú vybavené staršími verziami ako zariadenie Bluetooth BT2.1, možno budete musieť zadať prístupový kód „0000“).
3. Po pripojení sa ozve potvrdzovací tón. Tlačidlá Preset (1-5) zostanú biele. Môžete jednoducho vybrať a prehrávať akúkoľvek hudbu zo zdrojového zariadenia. Ovládanie hlasitosti je možné nastaviť zo zdrojového zariadenia alebo priamo z rádia.
4. Pomocou ovládacích prvkov na zariadení s podporou Bluetooth alebo v rádiu môžete prehrávať/pozastaviť a navigovať skladby.

Poznámka:

- Pokiaľ sa dve Bluetooth zariadenia spárujú v rovnakom čase, zobrazí sa rádio na oboch zariadeniach. Pokiaľ sa však jedno zo zariadení pripojí k rádiu ako prvé, druhé ho už na zozname neuvidí.
- Pokiaľ bude Vaše Bluetooth zariadenie dočasne odpojené od rádia, budete ho musieť znova manuálne prepojiť.
- Ak je v zozname Vášho Bluetooth zariadenia “DMR115”, no nemôžete sa naň napojiť, vymažte túto položku zo zoznamu a vykonajte spárovanie znova podľa vyššie uvedeného postupu.
- Optimálna vzdialenosť zariadenia od rádia je 10 metrov (čiara priamej viditeľnosti) ale možná je i vzdialenosť do 30 metrov.
- Ak príde k strate Bluetooth prepojenia, kvôli dlhému času bez pripojenia, prílišnej vzdialenosti zariadení, pôsobením vplyvu prekážok alebo iných vplyvov, budete musieť zariadenie znova pripojiť k rádiu.
- Fyzické prekážky alebo iné bezdrôtové a elektromagnetické zariadenia môžu ovplyvniť kvalitu pripojenia.
- Kvalita pripojenia sa môže líšiť vzhľadom na parametre pripojeného Bluetooth zariadenia. Pred pripojením na rádio sa oboznámte s Bluetooth vlastnosťami Vášho zariadenia. Niektoré Bluetooth zariadenia nemusia podporovať všetky funkcie.

Prehrávanie hudbných súborov v Bluetooth móde

Po úspešnom prepojení rádia s Bluetooth zariadením môžete začať s prehrávaním hudby pomocou Vášho

Bluetooth zariadenia.

1. Po spustení prehrávania upravte hlasitosť pomocou tlačidla hlasitosti na rádiu alebo Bluetooth zariadení.
2. Použite ovládacie prvky na zariadení so zdrojom Bluetooth na prehrávanie/pozastavenie a prechádzanie skladieb. Prípadne môžete ovládať prehrávanie pomocou tlačidiel Prehrať/Pozastaviť, Nasledujúca skladba, Predchádzajúca skladba v režime rádio.
3. Stlačením a podržaním tlačidla Fast-forward alebo Rewind môžete prechádzať aktuálnou skladbou. Po dosiahnutí požadovaného bodu uvoľníte tlačidlo.

Poznámka:

- Niektoré aplikácie alebo zariadenia prehrávača nemusia reagovať na všetky tieto ovládacie prvky.
- Niektoré mobilné telefóny sa môžu dočasne odpojiť od rádia počas telefonických hovorov. Niektoré zariadenia môžu dočasne stlmiť prehrávanie cez Bluetooth v prípade prijatia SMS správy, emailov alebo iných príčin nesúvisiacich s prehrávaním hudby. Toto závisí od pripojeného zariadenia a nie je znakom poruchy rádia.

Prehrávanie z už spárovaného zariadenia Bluetooth

Ak bolo Vaše Bluetooth zariadenie v minulosti s rádiom prepojené, rádio si ho zapamätá, a automaticky sa bude snažiť znovu pripojiť na posledné zariadenie, s ktorým bolo prepojené. Ak toto zariadenie nie je dostupné, rádio bude vyhľadateľné aj pre iné zariadenia.

Odpojenie zariadenia Bluetooth

Stlačte a podržte tlačidlo párovania Bluetooth na 2-3 sekundy, až kým sa na displeji nezobrazí „BT Pair“ alebo vypnete Bluetooth na zariadení Bluetooth, aby sa pripojenie vyplo.

Môžete tiež stlačiť tlačidlo Band, aby ste zvolili iný režim, než je režim Bluetooth na vypnutie pripojenia.

Vymazanie spárovaného zariadenia Bluetooth

Ak chcete vymazať pamäť všetkých spárovaných zariadení, stlačte a podržte tlačidlo párovania Bluetooth viac ako 7 sekúnd, kým sa na displeji nezobrazí indikátor „Clearing“.

AUX KONEKTORY

Na prednej strane rádia je dodávaná zásuvka s 3,5 mm pomocným vstupom, ktorá umožňuje, aby zvukový signál bol vložený do zariadenia z externého zvukového zariadenia, ako napríklad MP3 alebo CD prehrávač.

1. Connect an external audio source (for example, MP3 or CD player) to the AUX IN socket.
2. Stlačením tlačidla Napájanie zapnete rádio.

3. Opakovane stláčajte a uvoľňujte tlačidlo Band, kým sa nezobrazí „AUX IN“.
4. Pre lepšiu kvalitu zvuku odporúčame nastaviť hlasitosť na Vašom Bluetooth zariadení na viac ako 2/3 a následne prispôbiť hlasitosť na rádiu podľa potreby.

Poznámka:

Audio kábel nie je súčasťou balenia.

ÚDRŽBA

⚠ UPOZORNENIE:

- Nepoužívajte benzín, riedidlo, alkohol ani nič podobné. Mohlo by to spôsobiť zmenu farby, deformácie alebo praskliny.
- Neumývajte rádio vodou.

TECHNICKÉ ÚDAJE

Požiadavky na napájanie	
AC Sieťový adaptér	DC 12V 2.5A, stredový pól kladný
Batérie	Posuvná batéria: 10.8V - 18V
Frekvenčné pokrytie	FM87.50-108MHz (0.05MHz/krok) DAB/DAB + 174,928-239,200 MHz
DAB/DAB + Blok kanálu	DAB (Band III) 5A-13F
Kompatibilný štandard	DAB/DAB+

Bluetooth®	
(Názov Bluetooth®, označenie a logá sú registrované ochranné známky spoločnosti Bluetooth SIG, Inc.)	
Verzia rozhrania Bluetooth	5.0 Certified
Profily rozhrania Bluetooth	A2DP/SCMS-T/AVRCP
Prenosový výkon	Power Class2
Prenosový dosah	Optimálny: Max.10 metrov Možný: Max. 30 metrov (závisí od podmienok používania)
Bluetooth Codec	SBC, AAC
Maximálny rádiový výkon	BT EDR: 1.91dBm BT LE: 0.21dBm
Prevádzková frekvencia	2402MHz~2480MHz

Funkcia obvodu	
reproduktor	2,5 palca 8 ohm x 2 4 palce 6 ohm x 1
Výstupný výkon	10.8V-12Vmax: 2W x 2 + 10W 14.4V: 3W x 2 + 15W 18V: 5W x 2 + 25W
Input terminal	3.5 mm dia. (AUX IN)
Anténny systém	DAB/FM: Vstavaná anténa
Rozmery (L x W x H)	268 x 164 x 295 mm
Váha	4.8 KG (bez batérie)

ČESKY (Původní instrukce)

VYSVĚTLENÍ OBECNÉHO POHLEDU (Obr. 1)

1. Rukojeť/Vestavěná anténa (DAB/FM)
2. Zámek prostoru baterie
3. Kryt prostoru baterie (kryt baterie)
4. Reproduktor
5. Zásuvka DC IN
6. Subwoofer
7. Tlačítko napájení
8. Tlačítko Band
9. Tlačítko pro pokročilé nastavení
10. Info tlačítko
11. LED světlo
12. Přednastavení 3/Play/Pause tlačítko (Přehrávání a Pauza)
13. Přednastavení 5 tlačítko
14. Přednastavení 4/Next track/Fast-forward tlačítko (Další skladba a Rychle-dopředu)
15. Ovládání hlasitosti/ladění/zvolit knoflík
16. Ovládací tlačítko EQ
17. Zásuvka AUX IN
18. Napájecí port USB
19. Tlačítko automatického ladění
20. LED indikátor režimu EQ
21. Přednastavení 2/Previous track/Rewind tlačítko (Předchozí skladba a Přetočit zpět)
22. Přednastavení 1/tlačítko párování Bluetooth
23. LCD displej
24. Prostor pro baterie
25. Micro USB port pro aktualizaci softwaru

SYMBOLY

Níže jsou zobrazeny symboly použité na zařízení. Před použitím se ujistěte, že rozumíte jejich významu.



Přečtěte si návod k obsluze.



Pouze pro země EU.

Z důvodu přítomnosti nebezpečných součástí v zařízení mohou odpadní elektrické a elektronické zařízení, akumulátory a baterie negativně ovlivnit životní prostředí a lidské zdraví.

Elektrické a elektronické spotřebiče ani akumulátory nevyhazujte do domovního odpadu!

V souladu s evropskou směrnicí o odpadních elektrických a elektronických zařízeních, akumulátorech a bateriích a odpadních akumulátorech a bateriích,

stejně jako jejím přizpůsobením ve vnitrostátním právu, by odpadní elektrická zařízení, baterie a akumulátory měly být uchovávány odděleně a měly by být odevzdány na vyhrazeném sběrném místě komunálního odpadu, které je provozováno v souladu s předpisy na ochranu životního prostředí. Toto je označené symbolem přeškrtnuté popelnice na kolečkách, který je umístěn na zařízení.

BEZPEČNOSTNÍ UPOZORNĚNÍ POKYNY

VAROVÁNÍ:

Při používání elektrického přístroje by měla být vždy dodržována základní bezpečnostní opatření, aby se snížilo riziko požáru, úrazu elektrickým proudem a zranění osob, včetně následujících pravidel:

1. Před použitím si pozorně přečtěte tento návod k použití a návod k použití nabíječky.
2. K čištění používejte pouze suchou tkaninu.
3. Rádio neumísťte v blízkosti tepelných zdrojů, jimiž jsou například topná tělesa, vzduchové výstupy vytápění, sporáky či jiná zařízení (včetně zesilovačů) vytvářející teplo.
4. Používejte pouze nástavce a příslušenství určená výrobcem.
5. Při bouřkách nebo dlouhodobějším nepoužívání odpojte zařízení ze zásuvky.
6. Rádio na baterie s integrovanými akumulátory nebo samostatný blok akumulátoru je nutno nabíjet pouze v nabíječce určené pro daný typ akumulátorů. Nabíječka, jež může být vhodná pro jeden typ akumulátorů, by mohla při použití s jinými akumulátory vyvolat nebezpečí požáru.
7. V rádiu na akumulátory používejte pouze speciálně určené bloky akumulátorů. Použití jiných akumulátorů může vyvolat nebezpečí požáru.
8. Není-li blok akumulátoru používán, uložte jej v místě bez kovových předmětů, jimiž jsou například kancelářské sponky, mince, klíče, hřebíky, šrouby či jiné drobné kovové předměty, jež by mohly spojit kontakty. Zkratování kontaktů akumulátoru může způsobit jiskření, popáleniny či požár.
9. Vyvarujte se přímého kontaktu s uzemněnými předměty, např. potrubím, radiátory, sporáky či chladničkami. Uzemnění těla představuje zvýšené nebezpečí úrazu elektrickým proudem.
10. Při nesprávném zacházení může z akumulátoru uniknout kapalina – zamezte kontaktu s touto látkou. Dojde-li k nechtěnému kontaktu, omyjte zasažené

- místo vodou. Při zasažení očí omyjte místo vodou a vyhledejte lékařskou pomoc. Kapalina z akumulátoru může způsobit podráždění či poleptání.
11. Nepoužívejte baterii nebo nářadí, které je poškozeno nebo upraveno. Poškozené nebo upravené baterie mohou vykazovat nepředvídatelné chování, které může vést k požáru, výbuchu nebo nebezpečí zranění.
 12. Nevystavujte akumulátor ani nářadí ohni nebo nadměrné teplotě. Vystavení ohni nebo teplotě nad 130 °C(266°F) může způsobit výbuch.
 13. Dodržujte všechny pokyny pro nabíjení a nenabíjejte baterii nebo nářadí mimo rozsah teplot uvedených v pokynech. Nabíjení nesprávně nebo při teplotách mimo stanovený rozsah může poškodit akumulátor a zvýšit riziko požáru.
 14. Síťová zástrčka se používá pro odpojení zařízení a musí být snadno přístupná.
 15. Nepoužívejte výrobek při vysoké hlasitosti po delší dobu. Abyste zabránili poškození sluchu, použijte produkt ve střední úrovni hlasitosti.
 16. (Pouze u výrobků s LCD displejem) LCD displeje zahrnují kapalinu, která může způsobit podráždění a otravu. Pokud kapalina vnikne do očí, úst nebo kůže, vypláchněte vodou a vyhledejte lékaře.
 17. Nevystavujte výrobek dešti ani mokřým podmínkám. Vniknutí vody do výrobku zvýší riziko úrazu elektrickým proudem.
 18. Tento výrobek není určen pro použití osobami (včetně dětí) se sníženými fyzickými, smyslovými nebo duševními schopnostmi nebo nedostatečnými zkušenostmi a znalostmi, ledaže by byl s osobou odpovědnou za jejich bezpečnost. Děti by měly být pod dohledem, aby jste se ujistili, že si s produktem nehrájí. Výrobek uchovávejte mimo dosah dětí.
5. Nezkratujte akumulátor:
 - (1) Nedotýkejte se vývodu žádným vodivým předmětem.
 - (2) Akumulátor neskladujte v nádobě s jinými kovovými předměty, jako jsou hřebíky, mince, apod.
 - (3) Nevystavujte akumulátor vodě a dešti. Zkrat baterie může způsobit velký průtok proudu, přehřátí, popáleniny nebo dokonce i havárie.
 6. Neskladujte přístroj a akumulátor na místech, kde může teplota dosáhnout nebo překročit 50 °C (122 °F).
 7. Nespálujte akumulátor, ani když je vážně poškozen nebo zcela opotřebován. Akumulátor může v ohni vybuchnout.
 8. Dávejte pozor, aby akumulátor nespádl na zem nebo nedošlo k nárazu.
 9. Nepoužívejte poškozený akumulátor.
 10. Abyste předešli riziku, měli byste před použitím přečíst návod k výměně baterie. Maximální výstupní proud baterie by neměl být větší nebo roven 8 A.
 11. Lithium-iontové baterie, které jsou obsaženy, podléhají požadavkům ze zákona o nebezpečných látkách. Pro komerční přepravu, např. třetími stranami, dopravci, musí být dodrženy zvláštní požadavky na balení a označování. Pro přípravu přepravované zásilky je nutné konzultovat odborníka na nebezpečný materiál. Dodržujte prosím i podrobnější vnitrostátní předpisy. Opáskujte nebo zakryjte kontakty a vložte baterii tak, aby se nemohla pohybovat v obalu.
 12. Při likvidaci akumulátoru jej vyjměte z prostoru pro baterie a zlikvidujte na bezpečném místě. Dodržujte místní předpisy týkající se likvidace baterií.
 13. Použijte pouze baterie s výrobky specifikovanými firmou Makita. Instalace baterií na nevyhovující výrobky může vést k požáru, nadměrnému teplu, výbuchu nebo úniku elektrolytu. Pokud se produkt delší dobu nepoužívá, musí se z něj baterie vyjmout.

USCHOVEJTE TENTO NÁVOD

KONKRÉTNÍ BEZPEČNOSTNÍ PRAVIDLA POKYNY K BLOKU AKUMULÁTORU

PRO AKUMULÁTOR

1. Před použitím akumulátoru si přečtete všechny pokyny a varovné symboly na (1) nabíječce, (2) akumulátoru a (3) výrobku využívajícím akumulátor.
2. Akumulátor nerozebírejte.
3. Pokud se provozní doba příliš zkrátí, přerušte okamžitě provoz. Může dojít k přehřátí, popálení nebo dokonce výbuchu.
4. Když se elektrolyt dostane do očí, vypláchněte je čistou vodou a vyhledejte ihned lékařskou pomoc. Může dojít k oslepnutí.

⚠ POZOR:

- **Nebezpečí výbuchu, pokud je baterie nesprávně vyměněna.**
- **Nahradte pouze stejným nebo ekvivalentním typem.**
- **Používejte pouze originální baterie Makita. Použití neoriginálních baterií Makita nebo baterií, které byly změněny, může mít za následek výbuch baterie, což způsobí požáry, zranění osob a poškození majetku. Rovněž ruší záruku společnosti Makita pro nářadí Makita a nabíječku.**

Tipy pro zachování maximální životnosti akumulátoru

1. Nabíjejte akumulátor, když je zcela vybitý. Vždy vypněte přístroj a dobijte akumulátor, když si povšimnete sníženého výkonu přístroje.
2. Nikdy nenabíjejte úplně nabitý akumulátor. Přebíjení

zkracuje životnost akumulátoru.

3. Nabíjejte akumulátoru při pokojové teplotě při 10 ° C - 40 ° C (50 ° F - 104 ° F). Nechejte horký akumulátor zchladnout před nabíjením.
4. Dobijte akumulátor, i když přístroj delší dobu nepoužíváte (více než šest měsíců).

PROVOZNÍ ČAS

Vhodné baterie pro toto rádio jsou uvedeny v následující tabulce.

Následující tabulka ukazuje dobu provozu na jedno nabití.

Kapacita baterie	Výstup voltů baterie			Výstup z reproduktoru = 100mW Jednotka: Hodina (Přibližně)	
	10.8V –12Vmax	14.4V	18V	V režimu rádia nebo AUX	V režimu Bluetooth + USB nabíjení
1.3 Ah		BL1415		3.5	0.7
			BL1815	4.0	1.0
1.5 Ah	BL1015 BL1016			5.5	0.8
		BL1415N BL1415NA		4.5	0.9
			BL1815N	5.0	1.2
2.0 Ah	BL1020B BL1021B			7.0	1.0
			BL1820 BL1820B	6.5	1.6
3.0 Ah		BL1430 BL1430B BL1430A		8.0	1.6
			BL1830 BL1830B	9.0	2.3
4.0 Ah	BL1040B BL1041B			14	2.1
		BL1440		12	2.5
			BL1840 BL1840B	13	3.2
5.0Ah		BL1450		15	3.0
			BL1850 BL1850B	16	4.2
6.0 Ah		BL1460B BL1460A		16	3.3
			BL1860B	20	5.0

⚠ VAROVÁNÍ:

Používejte pouze kazety s bateriemi uvedené výše. Použití jiných bateriových kazet může způsobit zranění a/ nebo požár.

Poznámka:

- Tabulka týkající se provozní doby baterie je uvedena výše.
- Skutečná doba provozu se může lišit podle typu baterie, stavu nabíjení nebo použití.
- Některé z výše uvedených bateriových kazet a nabíječek nemusí být dostupné v závislosti na oblasti vašeho bydliště.

INSTALACE A NAPÁJENÍ (Obr. 2)

⚠ POZOR:

- Při otvírání a zavírání krytu baterie dbejte na to, abyste si neskřípli prsty.
- Po instalaci nebo vyjmutí kazety akumulátoru vraťte skříňku prostoru pro baterie do původní polohy. Pokud tak neučiníte, kazeta s akumulátorem může náhodně vypadnout z rádia a způsobit zranění vám nebo někomu kolem vás.
- Před přesunutím rádia vždy zavřete a uzamkněte skříňku prostoru baterie.
- Před instalací nebo vyjmutím kazety baterii vždy vypněte rádio.
- Dávejte pozor, aby vám rádio nespadlo, či nedošlo k úderu a následnému poškození. Zlomená skořápka těla rádia může pořezat prsty nebo poškrábat jinou část těla. Poškozené rádio může mít nepředvídatelné chování, které může vést k požáru, výbuchu nebo nebezpečí zranění.

DŮLEŽITÉ:

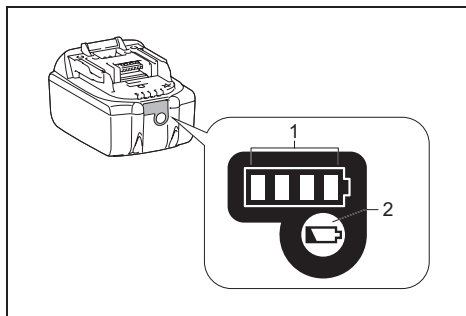
- Snížený výkon, zkresení, „koptavý zvuk“ nebo když se na displeji zobrazí “ ! Battery Low”, to znamená, že je třeba vyměnit hlavní akumulátor.
- Kazeta s bateriemi nelze nabíjet prostřednictvím dodaného napájecího adaptéru (AC).
- Kazeta pro baterie není dodávána jako standardní příslušenství.

Instalace a vyjmutí bloku zásuvného akumulátoru (Obr. 3 a 4)

- Při instalaci akumulátoru vyrovnejte jazýček na bloku akumulátoru s drážkou v krytu a zasuňte akumulátor na místo. Akumulátor zasunujte vždy nadoraz, až zacvakne na místo.
- Není-li tlačítko zcela zajištěno, uvidíte na jeho horní straně červený indikátor. Zasuňte akumulátor zcela tak, aby nebyl červený indikátor vidět. Jinak by mohl akumulátor z rádia vypadnout a způsobit zranění obsluze či přihlížejícím osobám.
- Při vkládání akumulátoru nepoužívejte přílišnou sílu. Nelze-li akumulátor zasunout snadno, nevkládáte jej správně.
- Chcete-li vyjmout kazetu baterie, vysuňte ji z rádia tím, že vysunete tlačítko na přední části kazety.

Indikace zbývající kapacity akumulátoru

* Platí pouze pro bloky akumulátorů označené písmenem „B“ na konci čísla modelu.



➤ 1. Kontrolky 2. Tlačítko test

Stisknutím kontrolního tlačítka Check na bloku akumulátoru zobrazíte zbývající kapacitu akumulátoru. Kontrolky se na několik sekund rozsvítí.

• 14.4V/18V baterie

Kontrolky			Zbývající kapacita
■ Svítí	□ Vypnuto	▣ Bliká	
■ ■ ■ ■			75% ~ 100%
■ ■ ■ □			50% ~ 75%
■ ■ □ □			25% ~ 50%
■ □ □ □			0% ~ 25%
▣ □ □ □			Nabíjte akumulátor.
■ ■ □ □	↑ ↓		Akumulátor může selhat.

• 10.8V-12V max baterie

Kontrolky			Zbývající kapacita
■ Svítí	□ Vypnuto	▣ Bliká	
■ ■ ■ ■			75% ~ 100%
■ ■ ■ □			50% ~ 75%
■ ■ □ □			25% ~ 50%
■ □ □ □			0% ~ 25%

POZNÁMKA:

V závislosti na podmínkách použití a okolní teplotě, se může údaj mírně lišit od skutečné kapacity.

Použití přiloženého napájecího adaptéru

Odstraňte gumovou ochranu a zasuňte adaptér do zásuvky DC na pravé straně rádia. Připojte adaptér do zásuvky. Při použití adaptéru se baterie automaticky odpojí.

⚠ **POZOR:**

- **Vždy zcela odpojte napájecí adaptér před přesunutím rádia. Pokud není síťový adaptér odpojen, může dojít k úrazu elektrickým proudem.**
- **Nikdy netahejte a nepřesahujte kabel adaptéru. Pokud tomu tak není, rádio může náhodou spadnout a způsobit zranění vám nebo někoho kolem vás.**

DŮLEŽITÉ:

- Síťový adaptér se používá pro připojení rádia k síti. Síťová zásuvka používaná pro rádio musí zůstat přístupná během běžného používání.
- Chcete-li odpojit rádio, musí být síťový adaptér zcela odpojen od elektrické sítě.
- Používejte napájecí adaptér dodávaný s produktem nebo jen specifikovaný společností Makita.
- Nedržte kabel napájení a konektor ústy. Mohlo by dojít k úrazu elektrickým proudem.
- Nedotýkejte se síťové zástrčky vlhkými nebo mastnými rukami.
- Poškozené nebo zapletené šňůry zvyšují riziko úrazu elektrickým proudem. Pokud je kabel poškozen, nechte ho vyměnit autorizovaným servisním střediskem, aby nedošlo k ohrožení bezpečnosti. Nepoužívejte jej před opravou.
- Po skončení práce vždy ukládejte napájecí adaptér mimo dosah dětí. Pokud si děti hrají s kabelem, mohou utrpět zranění.

Nabíjení pomocí napájecího portu USB

Na čelní straně rádia se nachází port USB. Prostřednictvím portu USB můžete nabíjet zařízení USB.

1. Běžně dostupným kabelem USB připojte zařízení USB, například přehrávač MP3 nebo CD přehrávač.
2. Stisknutím tlačítka napájení zapnete rádio.
3. Bez ohledu na to, zda je rádio napájeno střídavým proudem nebo napájeno z baterie, rádio může nabíjet jiné zařízení přes USB, když je rádio zapnuto a v režimu rádia DAB/FM nebo v režimu BT, nebo v režimu AUX, který se objeví, když je externí audio zdroj připojen.

Poznámka:

- Při nabíjení zařízení USB se sníží maximální výstupní výkon hlasitosti reproduktoru.
- Konektor USB může poskytnout proud s max. hodnotou 2.4A/5 V.

Důležité:

- Před připojením zařízení USB k nabíječce si vždy zálohujte data ze zařízení USB. Mohlo by dojít ke ztrátě dat.
- Je možné, že rádio neumožní napájení některých zařízení USB.
- Jestliže kabel USB nevyužíváte nebo pokud bylo nabíjení dokončeno, odpojte jej od konektoru a zavřete krytku.
- K portu USB nepřipojujte zdroj napájení. Mohlo by nastat nebezpečí vzniku požáru. Port USB slouží pouze k nabíjení nízkonapěťových zařízení. Jestliže žádné nízkonapěťové zařízení nenapájíte, nasadte vždy na port USB krytku.
- Do napájecího portu USB nestrkejte hřebíky, dráty atd. Mohlo by dojít ke zkratu a vzniku kouře či požáru.
- Konektor USB rádia nepochopíte s portem USB počítače – existuje vysoká pravděpodobnost poškození jednotek.

POSLOUCHÁNÍ RÁDIA

Rádio lze naladit třemi metodami – automaticky, ručně nebo vyvoláním paměti předvolby.

Volba stanice – DAB

Poznámka:

Anténa DAB je zabudována do rukojeti. Při práci s rádiem, řádně narovnejte rukojet nad rádiem, abyste získali lepší příjem.

1. Rádio zapnete stisknutím tlačítka Napájení (Power).
2. Zvolte režim DAB stisknutím tlačítka Band.
3. Stisknutím ovladače ladění (Tuning Control) abyste se dostali do seznamu stanic. Nebo můžete také stisknout tlačítko Pokročilá nastavení (Advanced setting) a otočením ovladače ladění (Tuning Control) vyberte položku „Seznam stanic“ (Station List). Stisknutím knoflíku Tuning Control vstoupíte do seznamu stanic.
4. Otáčejte ovladačem ladění (Tuning Control) pro procházení seznamu dostupných stanic. Stisknutím knoflíku Tuning Control vyberte stanici.
5. Otáčením ovladače hlasitosti (Volume) nastavte požadovanou hlasitost.

Režimy zobrazení – DAB

Vaše rádio má v režimu DAB řadu možností zobrazení. Stisknutím tlačítka Info můžete procházet různými možnostmi.

- a. Dynamic Label Segment (Dynamický popis segmentu) Doplnkové datové služby v textové podobě (až 128 znaků) běžící vedle rozhlasového programu DAB nebo DAB +. Zobrazuje rolovací textové zprávy, jako je název interpreta/ skladby, telefonní číslo atd.
- b. Program type (Typ programu) Zobrazuje typ vysílané stanice, například Pop, Classic, Zprávy atd.
- c. Multiplex name (Název multiplexu) Zobrazuje název multiplexu DAB, ke kterému patří aktuální stanice.
- d. Frequency and channel (Frekvence a kanál) Zobrazuje frekvenci a číslo kanálu aktuálně naladěné stanice DAB.
- e. Signal error/ strength (Chyba pro poslouchanou stanic. Nižší signálu/síla) Zobrazuje chybu a sílu signálu číslo chyby označuje lepší kvalitu rádiového signálu.
- f. Bit rate/Audio type (Bitová rychlost/Typ zvuku) Zobrazuje bitovou rychlost digitálního zvuku a typ zvuku pro aktuálně naladěnou stanic DAB.
- g. Date (Datum) Zobrazí aktuální datum.

Pokud vysílání DAB poskytuje obrazové informace, lze je zobrazit na celé obrazovce stisknutím a podržením ovladače ladění. Pokud je přijímané vysílání ve stereofonním režimu, zobrazí se ve spodní části displeje symbol stereofonního reproduktoru.

Hledání nových stanic – DAB

Čas od času mohou být k dispozici nové rozhlasové stanice DAB. Nebo jste se přestěhovali do jiné části země. V tomto případě budete muset aktivovat rádio, aby bylo možné vyhledat nové stanice.

Aby rádio mohlo najít dostupné stanice, doporučuje se provést úplné prohlédnutí všech frekvencí pásma DAB Band III.

1. Rádio zapnete stisknutím tlačítka Napájení (Power).
2. Stisknutím tlačítka Pásmo (Band) vyberte režim rádia DAB.
3. Stisknutím tlačítka automatického ladění (Auto tune) spustíte skenování. Na displeji se zobrazí „Skenování“ (Scanning) a rádio provede skenování frekvencí DAB pásma III. Jakmile jsou nalezeny nové stanice, zvýší se počítadlo stanic a stanice budou přidány do seznamu. Sloupcový graf ukazuje průběh skenování.

Ruční ladění – DAB

Ruční ladění umožňuje naladit rádio na určitou frekvenci DAB v pásmu III. Tuto funkci lze také použít k usnadnění

umístění antény nebo rádia tak, aby byl optimalizován příjem pro konkrétní kanál nebo frekvenci.

1. V režimu DAB stiskněte tlačítko pro pokročilé nastavení (Advanced setting) abyste se dostali do nabídky nastavení.
2. Otáčejte ovladačem ladění (Tuning Control) na volbu ručního ladění (Manual Tune). Stisknutím knoflíku ovládání ladění (Tuning Control) vstoupíte do režimu ručního ladění.
3. Otáčením ovladače ladění (Tuning Control) vyberte požadovaný kanál DAB. Stiskem knoflíku ovladače ladění (Tuning Control) potvrdíte zvolenou frekvenci.

Řízení dynamického rozsahu (DRC) – DAB

Funkce DRC může usnadnit poslech tišších zvuků, když je rádio používáno v hlučném prostředí, snížením dynamického rozsahu zvukového signálu. Existují tři úrovně komprese:

- 1 Maximální použitá komprese.
 - 1/2 Střední použitá komprese.
 - 0 Není použitá žádná komprese.
1. V režimu DAB stisknutím tlačítka pro pokročilé nastavení (Advanced setting) přejděte do nabídky nastavení.
 2. Otáčením ovladače ladění (Tuning Control) vyberte „DRC“. Poté stiskněte ovladač ladění (Tuning Control) pro vstup do nastavení. Na displeji se zobrazí DRC.
 3. Otáčením ovladače ladění (Tuning Control) vyberte požadované nastavení DRC.
 4. Nastavení potvrdíte stisknutím ovladače ladění (Tuning Control).

Nastavení pořadí stanic – DAB

Vaše rádio má 3 nastavení pořadí stanic, ze kterých si můžete vybrat. Nastavení pořadí stanic jsou alfanumerická, souborová a dostupné stanice.

1. V režimu DAB stisknutím tlačítka pro pokročilé nastavení (Advanced setting) přejděte do nabídky nastavení.
2. Otáčením ovladače ladění (Tuning Control) vyberte Pořadí stanic (Station Order). Poté stiskněte ovladač ladění (Tuning Control) pro vstup do nastavení.
3. Otáčením ovladače ladění (Tuning Control) vyberte následující možnosti a stisknutím ovladače ladění (Tuning Control) potvrdíte nastavení.

Alphanumeric (Alfanumerické) Ordena la lista de emisoras alfanuméricamente: 0...9, A...Z.

Seřadí seznam stanic alfanumericky 0 ... 9 A ... Z.

Ensemble (souborové) Organizuje seznam stanic pomocí multiplexu DAB.

Valid (dostupné) Zobrazuje pouze ty stanice, u kterých lze nalézt signál.

Automatické ladění – FM

Poznámka:

FM anténa je zabudována do rukojeti. Při práci s rádiem, řádně narovnejte rukojeť nad rádiem, abyste získali lepší příjem.

1. Rádio zapnete stisknutím tlačítka Napájení (Power).
2. Stisknutím tlačítka Pásmo (Band) vyberte režim FM rádio.
3. Stiskněte tlačítko Automatické ladění (Auto tune) a rádio vyhledá rozhlasovou stanici a automaticky se zastaví.
4. Po několika sekundách se displej aktualizuje. Na displeji se zobrazí frekvence nalezeného signálu. Pokud je signál dostatečně silný a jsou k dispozici data RDS, rádio zobrazí název stanice.
5. Chcete-li najít jinou stanici, stiskněte tlačítko Automatické ladění (Auto tune) jako dříve.
6. Když ladění dojde na konec vlnového pásma, rádio začne ladit od začátku vlnového pásma.
7. Otáčením ovladače hlasitosti (Volume) nastavte požadovanou úroveň zvuku.

Poznámka:

Hlasitost by neměla být příliš vysoká. Abyste předešli možnému poškození sluchu, neposlouchejte dlouhodobě při vysoké hlasitosti.

8. Rádio vypnete stisknutím tlačítka Napájení (Power).

Ruční ladění – FM

1. Rádio zapnete stisknutím tlačítka Napájení (Power).
2. Stisknutím tlačítka Pásmo (Band) vyberte režim FM rádio.
3. Stisknutím ovládacího knoflíku ladění (Tuning control) přepnete do režimu ovládání ladění.
4. Otočením ovladače ladění (Tuning control) najdete požadovanou stanici.
5. Hlasitost nastavíte opětovným stisknutím knoflíku ladění (Tuning control) pro přepnutí do režimu ovládání hlasitosti.
6. Otáčením ovladače hlasitosti (Volume) nastavte požadovanou úroveň zvuku.

Režim zobrazení – FM(RDS)

Vaše rádio má řadu možností zobrazení pro režim FM rádia.

Indikátor RDS ve spodní části displeje ukazuje, že v přijímaném vysílání jsou k dispozici některá RDS data. Displej stereofonního reproduktoru ukazuje, že rádio přijímá stereo vysílání.

Opakovaně stiskněte tlačítko Info pro zobrazení informací RDS (Radio Data System) stanice, kterou posloucháte.

- | | |
|--------------------------------|--|
| a. Radio text (Text rádia) | Zobrazí textovou zprávu rádia, například nové položky atd. |
| b. Program type (Typ programu) | Zobrazuje typ vysílané stanice, například Pop, Classic, Zprávy atd. |
| c. Frequency (Frekvence) | Zobrazuje frekvenci FM signálu. (Pokud nejsou k dispozici žádné informace RDS, na displeji se zobrazí „No Name“. |
| d. Audio mode (Režim zvuku) | Zobrazuje aktuální režim zvuku. |
| e. Date (Datum) | Zobrazí aktuální datum. |

FM zóna skenování

Pokud používáte režim FM, můžete rádio nastavit tak, aby snímalo buď lokální stanice, nebo prohledalo všechny stanice včetně vzdálených rozhlasových stanic.

1. V režimu FM stiskněte tlačítko pokročilé nastavení (Advanced setting) a vstupte do nabídky nastavení.
2. Otáčením knoflíku ladění (Tuning control) vyberte „Scan zone“. Pro vstup do nastavení stiskněte knoflík ladění (Tuning control). Aktuální nastavení zvuku je označeno symbolem na displeji.
3. Otočením ovladače ladění (Tuning control) vyberte „Local“ (pouze silné stanice) nebo „Distant“ (všechny stanice). Vzdálená volba (Distant) umožní rádiu najít slabší signály při skenování.
4. Nastavení potvrďte stisknutím ovladače Tuning. Místní (Local) nebo vzdálené (Distant) nastavení je uloženo v rádiu a zůstává v platnosti, dokud se nezmění, nebo dokud se systém nevyvuluje.

Nastavení Stereo/Mono – FM


Je-li rozhlasová FM stanice poslouchána a má slabý signál, může být slyšet nějaký šum. Je možné snížit syčení tím, že přepnete rádio stanici do režimu mono z režimu stereo.

1. Zkontrolujte, zda je rádio v režimu FM a naladěte požadovanou FM stanici.
2. Stisknutím tlačítka pokročilé nastavení (Advanced setting) přejděte do nabídky nastavení.
3. Otočením ovladače ladění (Tuning control) vyberte možnost nastavení zvuku (Audio Setting). Pro vstup do nastavení stiskněte ovladač ladění (Tuning control). Aktuální nastavení zvuku je označeno symbolem na displeji.
4. Otočením ovladače ladění (Tuning control) vyberte nucené mono (Forced Mono), nebo stereo povoleno (Stereo Allowed). Nastavení potvrďte stisknutím ovladače ladění (Tuning control).

Přednastavení stanic v režimech DAB a FM

K dispozici je 5 přednastavených stanic pro DAB a 5

stanic pro FM rádia. Používají se stejným způsobem pro každé vlnové pásmo.

1. Rádio zapnete stisknutím tlačítka Napájení (Power).
2. Stisknutím tlačítka pásmo (Band) vyberte požadované vlnové pásmo. Naladíte požadovanou rádiovou stanicí, jak bylo popsáno výše.
3. Stiskněte a podržte požadované tlačítko předvolby (Preset), dokud se na displeji nezobrazí Přednastavení 1 uloženo (Preset 1 saved) (například ). zobrazí se v dolní části displeje. Stanice se pak uloží do vybraného tlačítka předvolby. Opakujte tento postup pro zbývající předvolby, jak chcete.
4. Uložené stanice, které již byly uloženy, mohou být v případě potřeby přepsány podle výše uvedeného postupu.

Vyvolání předvolby v režimech DAB a FM

Zapněte rádio stisknutím tlačítka Napájení (Power).

1. Stisknutím tlačítka pásmo (Band) vyberte režim DAB nebo FM rádio.
2. Krátkým stisknutím požadovaného tlačítka předvolby (Preset) naladíte rádio na jednu ze stanic uložených v paměti předvoleb.

RŮZNÁ NASTAVENÍ

Automatická aktualizace hodin

Můžete rozhodnout, že rádio nastaví své hodiny z rozhlasového vysílání DAB nebo FM. Po výpadku napájení rádia se hodiny znovu nastaví při příštím zapnutí rádia v režimu DAB nebo FM.

1. Při zapnutém rádiu stiskněte tlačítko pokročilé nastavení (Advanced setting), zjistíte tak jaký je stávající mód nastavení.
2. Otočením ovladače ladění (Tuning control) vyberte čas/datum (Time/Date). Pro vstup do nastavení stiskněte ovladač ladění (Tuning control).
3. Otočením ovladače ladění vyberte automatickou aktualizaci (Auto Update). Stisknutím ovládacího knoflíku (Tuning control) ladění vstoupíte do nabídky automatické aktualizace.
4. Otáčením knoflíku ladění (Tuning control) vyberte možnost aktualizace z odkudkoli (from Any), z DAB (from DAB), nebo z FM (from FM) podle potřeby. Potvrďte volbu stisknutím ovládacího knoflíku (Tuning control) ladění. Aktuální nastavení bude označeno symbolem na displeji.

Nastavení formátu hodin

1. Při zapnutém rádiu stiskněte tlačítko pokročilé nastavení (Advanced setting) pro přístup do menu aktuálního režimu.
2. Otočením ovladače ladění (Tuning control) vyberte

čas/datum (Time/Date). Pro vstup do nastavení stiskněte ovladač ladění (Tuning control).

3. Otočením ovladače ladění (Tuning control) vyberte nastavení času 12/24 hodin (Set 12/24 Hour). Stisknutím ovládacího knoflíku ladění (Tuning control) vstoupíte do nastavení formátu hodin. Aktuální formát zobrazení hodin je označen zaškrtnutím.
4. Otočením ovladače ladění (Tuning control) vyberte 12 nebo 24 hodinový formát. Nastavení potvrďte stisknutím ovladače ladění (Tuning control). Je-li zvolen formát 12 hodin, zobrazí rádio 12 hodin s indikátorem AM nebo PM.

Nastavení formátu data

1. Při zapnutém rádiu stiskněte tlačítko pokročilé nastavení (Advanced setting) pro přístup do menu aktuálního režimu.
2. Otočením ovladače ladění (Tuning control) vyberte čas/datum (Time/Date). Pro vstup do nastavení stiskněte ovladač ladění (Tuning control).
3. Otáčením knoflíku ladění (Tuning control) vyberte nastavení formátu data (Set Date Format). Pro vstup do nastavení stiskněte ovladač ladění (Tuning control).
4. Otočením ovladače ladění (Tuning control) vyberte formát DD-MM-RRRR (DD-MM-YYYY) nebo MM-DD-RRRR (MM-DD-RRRR). Nastavení potvrďte stisknutím knoflíku ladění (Tuning control).

Hlasitost

Nastavením funkce hlasitosti můžete vykompenzovat nižší a vyšší frekvence rádia.

1. Při zapnutém rádiu stiskněte tlačítko pokročilé nastavení (Advanced setting) pro přístup do menu aktuálního režimu.
2. Otáčením knoflíku ladění vyberte hlasitost (Loudness). Pro vstup do nastavení stiskněte ovladač ladění (Tuning control).
3. Otáčením knoflíku ladění (Tuning control) zvolte pozici zapnuto (On) pro zapnutí funkce hlasitosti. Chcete-li vypnout funkci hlasitosti, vyberte možnost vypnuto (Off). Nastavení potvrďte stisknutím knoflíku ladění (Tuning control).

Jazykové možnosti

V rádiu je k dispozici osm jazyků: angličtina, němčina, italština, francouzština, holandsština, dánština, norština a polština.

1. Při zapnutém rádiu stiskněte tlačítko pokročilé nastavení (Advanced setting) pro přístup do menu aktuálního režimu.
2. Otočením ovladače ladění (Tuning control) vyberte jazyk (Language). Pro vstup do nastavení stiskněte ovladač ladění (Tuning control).

- Otočením ovladače ladění (Tuning control) vyberte požadovaný jazyk. Nastavení potvrďte stisknutím ovladače ladění (Tuning control).

Tovární nastavení

Pokud chcete rádio úplně resetovat do výchozího (továrního) nastavení, můžete tak učinit následovně. Provedením továrního nastavení budou vymazána všechna nastavení zadaná uživatelem.

- Při zapnutém rádiu stiskněte tlačítko pokročilé nastavení (Advanced setting) pro přístup do menu aktuálního režimu.
- Otočením ovladače ladění (Tuning control) vyberte tovární nastavení (Factory Reset). Pro vstup do nastavení stiskněte ovladač ladění (Tuning control).
- Otočením ovladače ladění (Tuning control) vyberte ano (Yes), nebo ne (No). Pokud si nepřejete provést reset systému, vyberte ne (No) a poté stisknutím ovladače ladění (Tuning control) nastavení potvrďte. Při volbě ano (Yes) stiskněte ovladač ladění (Tuning control). Bude proveden úplný reset (tovární nastavení). Seznam stanic a předvolby budou vymazány. Všechna nastavení budou nastavena na výchozí hodnoty.

V případě poruchy způsobené elektrostatickým výbojem resetujte výrobek (může být nutné opětovně připojení napájecího zdroje), abyste obnovili normální provoz.

Micro USB port pro aktualizaci softwaru

Aktualizace softwaru vašeho rádia mohou být v budoucnu k dispozici.

Jakmile je aktualizace softwaru dostupná informace o tom, jak aktualizovat rádio, naleznete na **webových stránkách společnosti Makita**.

- Pomocí kabelu micro USB (není součástí dodávky) připojte do USB portu v prostoru pro baterie a do vašeho počítače.
- Po zapnutí rádia stiskněte tlačítko pokročilé nastavení (Advanced setting), abyste se dostali do menu aktuálního režimu.
- Otočením ovladače ladění (Tuning control) vyberte položku aktualizace software (Software Update). Pro vstup do nastavení stiskněte ovladač ladění (Tuning control).
- Otočením ovladače ladění (Tuning control) vyberte ano (Yes), nebo ne (No). Pokud si nepřejete provádět aktualizaci softwaru, vyberte ne (No) a nastavení potvrďte stisknutím ovladače ladění (Tuning control). Při volbě ano (Yes) stiskněte ovladač ladění (Tuning control). Na displeji se zobrazí čekání na průvodce PC (Waiting for PC wizard). Nejnovější software si můžete stáhnout na webové stránce. Aktualizaci softwaru dokončete podle pokynů na obrazovce

vašeho počítače a pokynů dodaných s aktualizacím softwarem.

Poznámka:

Při aktualizaci softwaru používejte jako hlavní zdroj napájení napájecí adaptér. Nevyplínejte napájení rádia, dokud není aktualizace dokončena a rádio se nespustí, jinak by mohlo dojít k trvalému poškození rádia.

Verze softwaru

- Při zapnutém rádiu stiskněte tlačítko pokročilé nastavení (Advanced setting) pro přístup do menu aktuálního režimu.
- Otočením ovladače ladění (Tuning control) vyberte položku verze software (Software Version). Pro zobrazení verze softwaru stiskněte ovladač ladění (Tuning control).

Funkce ekvalizéru

Existuje 7 druhů barevných LED indikátorů kolem ovladače ladění, které indikují různé režimy ekvalizéru.

- Stisknutím tlačítka Napájení zapnete rádio.
- Stiskněte ovladač tlačítka EQ pro vstup do nabídky nastavení EQ.
- Otočením knoflíku Ladění (Tuning) vyberte požadovaný režim. Potom potvrďte výběr stisknutím ovladače Ladění

EQ mód	LED indikátor
FLAT (ploché)	Bílá
JAZZ	Modrá
ROCK	Červená
CLASSIC	Hnědá
POP	Růžová
NEWS (zprávy)	Žlutá
MY EQ (můj EQ)	Zelená

Nastavení profilu Můj EQ

- Stisknutím ovladačícího tlačítka EQ vstoupíte do menu nastavení EQ.
- Otočením ovladače ladění vyberte mé EQ nastavení (MY EQ Setup). Poté stiskněte ovladač knoflík ladění (Tuning control) pro vstup do menu nastavení.
- Otočením ovladače ladění (Tuning control) vyberte nastavení výšek (Treble). Pro vstup do nastavení stiskněte ovladač ladění. Otočením ovladače ladění (Tuning control) vyberte požadovanou úroveň výšek. Nastavení potvrďte stisknutím knoflíku ladění (Tuning control).
- Otočením ovladače ladění (Tuning control) vyberte nastavení středů (Middle). Pro vstup do nastavení stiskněte ovladač ladění (Tuning control). Otočením ovladače ladění (Tuning control) vyberte požadovanou střední úroveň. Nastavení potvrďte

- stisknutím knoflíku ladění (Tuning control).
5. Otočením ovladače ladění (Tuning control) vyberte nastavení basů (Bass). Pro vstup do nastavení stiskněte ovladač ladění (Tuning control). Otáčením ovladače ladění (Tuning control) vyberte požadovanou úroveň basů. Nastavení potvrďte stisknutím knoflíku ladění (Tuning control).

Poznámka:

Při použití ekvalizéru k zvýraznění basů a poslechu při vysokých úrovních hlasitosti může dojít k praskavým a zkresleným zvukům. V takovém případě nastavte správnou hlasitost rádia.

POSLECH HUDBY PŘES BLUETOOTH STREAMING

Předem musíte spárovat zařízení Bluetooth s rádiem abyste mohli automaticky přehrávat/streamovat hudbu. Spárování vytváří vazbu, takže se mohou vzájemně rozpoznat dvě zařízení.

Poznámka:

- Chcete-li dosáhnout lepší kvality zvuku, doporučujeme nastavit hlasitost na zařízení Bluetooth na více než dvě třetiny a podle potřeby upravit hlasitost rádia.
- Vaše rádio umožňuje uložení až 8 sad spárovaných přístrojů, když je paměť plná, nejstarší historie párování bude přepsána.

První spárování zařízení Bluetooth

1. Rádio zapnete stisknutím tlačítka napájení (Power). Stisknutím tlačítka pásmo (Band) vyberte režim Bluetooth. Na displeji se objeví párování Bluetooth (BT Pair) a tlačítka přednastavení (Preset (1-5)) blikají bílým světlem, aby bylo jasné, že rádio bylo nalezeno.
2. Aktivujte Bluetooth na svém přístroji podle návodu k obsluze přístroje, abyste se mohli připojit k rádiu. Vyhledejte seznam zařízení Bluetooth a vyberte zařízení s názvem „DMR115“ (u některých mobilních telefonů vybavených staršími verzemi než zařízení Bluetooth BT2.1 může být nutné zadat heslo „0000“).
3. Po připojení se ozve potvrzovací tón. Tlačítka přednastavení (Preset (1-5)) budou svítit bíle. Můžete jednoduše vybrat a přehrávat jakoukoli hudbu ze zdrojového zařízení. Ovládání hlasitosti lze nastavit ze zdrojového zařízení nebo přímo z rádia.
4. Pomocí ovládacích prvků zařízení Bluetooth nebo rádia můžete přehrávat/pozastavovat a procházet skladby.

Poznámka:

- Jestliže se 2 Bluetooth zařízení párují poprvé, obě budou hledat rádio a na obou zařízeních se ukáže jeho dostupnost. Nicméně pokud se jedno zařízení

nejdříve spojí s touto jednotkou, potom ho druhé zařízení Bluetooth nebude moci najít v seznamu.

- Je-li vaše zařízení Bluetooth dočasně odpojeno od rádia, pak znovu připojte zařízení k rádiu manuálně.
- Je-li 'DMR115' zobrazeno v seznamu vašeho Bluetooth zařízení, ale přístroj se s ním nemůže spojit, prosím, vymažte položku ze seznamu a spárujte zařízení s rádiem znovu podle kroků popsaných výše.
- Optimální dosah Bluetooth je zhruba 10 metrů (viditelných) k radiovému zařízení, ale je možné dosáhnout vzdálenosti až 30 metrů.
- Pokud dojde ke ztrátě připojení Bluetooth z důvodu překročení optimálního dosahu na příliš dlouhou dobu, z důvodu překážek, aj., může být nutné znovu připojit zařízení k rádiu pomocí Bluetooth.
- Fyzické překážky, jiná bezdrátová zařízení nebo elektromagnetická zařízení mohou ovlivnit kvalitu připojení.
- Výkon Bluetooth připojení se může lišit v závislosti na připojeném zařízení Bluetooth. Podívejte se, prosím, na schopnosti Bluetooth přístroje před připojením k rádiu. Všechny funkce nemusí být podporovány na některých spárovaných zařízení Bluetooth.

Přehrávání zvukových souborů v režimu Bluetooth

Pokud jste úspěšně spojili rádio s vybraným zařízením Bluetooth, můžete začít přehrávat hudbu pomocí ovladačů na vašem připojeném zařízení Bluetooth.

1. Když začne hrát, nastavte hlasitost na požadovanou úroveň pomocí tlačítek hlasitosti na rádiu nebo na vašem připojeném zařízení Bluetooth.
2. Pomocí ovládacích prvků na zařízení s rozhraním Bluetooth můžete přehrávat/pozastavit a navigovat skladby. Případně můžete ovládat přehrávání pomocí tlačítek Přehrát/Pauza, Další stopa, Předchozí skladby v rádiu.
3. Stisknutím a podržením tlačítka Rychlé převíjení vpřed nebo vzad (Fast-forward or Rewind button) můžete procházet aktuální skladbou. Po dosažení požadované části skladby tlačítko uvolněte.

Poznámka:

- Některé aplikace nebo zařízení přehrávače nemusí reagovat na všechny tyto ovládací prvky.
- Některé mobilní telefony se mohou dočasně odpojit od rádia při volání nebo přijímaní hovoru. Některá zařízení mohou dočasně ztlumit Bluetooth audio přehrávání, když přijmou textovou zprávu, e-mail nebo z jiných důvodů nesouvisejících s audio přehráváním. Takové chování je funkcí připojeného zařízení, a nejedná se o poruchu rádio.

Přehrávání dříve spárovaného Bluetooth zařízení

Jestliže už bylo zařízení Bluetooth dříve spárované s rádiem, přístroj si zařízení Bluetooth pamatuje a snaží se znovu spojit se záznamem v paměti, které bylo posledním spojením. V případě, že poslední připojené zařízení není k dispozici, bude rádio možné znovu připojit.

Odpojení zařízení Bluetooth

Stiskněte a podržte tlačítko párování Bluetooth po dobu 2-3 vteřin, dokud se na displeji nezobrazí Bluetooth párování (BT Pair) nebo vypnete Bluetooth na Bluetooth zařízení, abyste připojení deaktivovali.

Můžete také stisknout tlačítko pásma (Band), abyste vybrali jiný režim než režim Bluetooth pro vypnutí připojení.

Vymazání paměti spárovaného zařízení Bluetooth

Pro vymazání paměti všech spárovaných přístrojů stiskněte a podržte tlačítko párování Bluetooth déle než 7 sekund, dokud se na displeji nezobrazí probíhá mazání (Clearing).

AUX VSTUP

Na přední straně rádia je umístěn vstup 3,5 mm, který umožňuje připojit externí zařízení, jako je přehrávač MP3 nebo CD.

1. Připojte externí zdroj zvuku (například MP3 nebo CD přehrávač) do zásuvky AUX IN.
2. Stisknutím tlačítka Napájení zapnete rádio.
3. Opakovaně stiskněte a uvolněte tlačítko pásma (Band), dokud se nezobrazí „AUX IN“.
4. Chcete-li dosáhnout lepší kvality zvuku, doporučujeme nastavit hlasitost zvuku na více než dvě třetiny a poté podle potřeby nastavit hlasitost v rádiu.

POZNÁMKA:

Audio kabel není součástí standardního příslušenství.

ÚDRŽBA

⚠ UPOZORNĚNÍ:

- Nikdy nepoužívejte benzín, benzen, ředidlo, alkohol či podobné prostředky. Mohlo by tak dojít ke změnám barvy, deformacím či vzniku prasklin.
- Neumývejte rádio vodou.

SPECIFIKACE

Požadavky napájení	
AC Napájecí adaptér	DC 12V 2.5A, pozitivní středový kolík
Baterie	Posuvná baterie: 10.8V - 18V
Frekvenční rozsah	FM87.50-108MHz (0.05MHz/krok) DAB/DAB+ 174.928-239.200 MHz
DAB/DAB+ Blok kanálu	DAB (Banda III) 5A - 13F
Kompatibilní standard	DAB/DAB+

Bluetooth®	
(Slovní ochranná známka Bluetooth® a příslušná loga jsou registrované ochranné známky vlastněné společností Bluetooth SIG, Inc.)	
Verze Bluetooth	5.0 certifikováno
Profily Bluetooth	A2DP/SCMS-T/AVRCP
Vysílací výkon	Třída výkonu 2
Dosah přenosu	Optimální: Max. 10 metrů (33 stop) Možné: Max. 30 metrů (100 stop) (liší se podle podmínek použití)
Bluetooth kodek	SBC, AAC
Maximální radiofrekvenční výkon	BT EDR: 1.91dBm BT LE: 0.21dBm
Provozní frekvence	2402MHz~2480MHz

Funkce obvodu	
Reproduktor	2.5 palce 8 ohm x 2 4 palce 6 ohm x 1
Výstupní výkon	10.8V-12Vmax: 2W x 2 + 10W 14.4V: 3W x 2 + 15W 18V: 5W x 2 + 25W
Vstupní svorka	3.5 mm prům. (AUX IN)
Anténní systém	DAB/FM: Vestavěná anténa
Rozměry (L x W x H)	268 x 164 x 295 mm
Hmotnost	4.8 KG (bez baterie)

УКРАЇНЬСЬКА (оригінал інструкції - англійською)



Тільки для країн ЄС.
Через наявність в обладнанні небезпечних компонентів відходи електричного та електронного обладнання, акумулятори та батареї можуть негативно впливати на навколишнє середовище та здоров'я людини.

Не викидайте електричні та електронні прилади або батареї разом з побутовими відходами! Відповідно до директиви ЄС стосовно відходів електричного та електронного обладнання, акумуляторів, батарей та відходів акумуляторів і батарей, а також відповідно до її адаптації до національного законодавства, відходи електричного обладнання, батареї та акумулятори слід зберігати окремо й доставляти на пункт роздільного збору комунальних відходів, який працює з дотриманням правил охорони навколишнього середовища.

Це позначено символом у вигляді перекресленого сміттєвого контейнера з колесами, нанесеним на обладнання.

ОПИС ЗОВНІШНЬОГО ВИГЛЯДУ (Мал. 1)

1. Ручка/Вбудована антена(DAB/FM)
2. Замок акумуляторного відсіку
3. Кришка акумуляторного відсіку (закриває картридж акумулятору)
4. Динамік
5. Гніздо DC IN
6. Сабвуфер
7. Кнопка живлення
8. Кнопка вибору діапазону
9. Кнопка розширених налаштувань
10. Інформаційна кнопка
11. Світлодіодна лампа
12. Кнопка попередніх налаштувань 3/ Відтворення/Пауза
13. Кнопка попередніх налаштувань 5
14. Кнопка попередніх налаштувань 4/ Наступний трек/Кнопка швидкого перемотування вперед
15. Регулювання гучності/Кнопка налаштувань/ Ручка вибору
16. Кнопка керування еквалайзером
17. Гніздо ауксіального входу
18. USB-порт джерела живлення
19. Кнопка автоналаштувань
20. Світлодіодний індикатор режиму еквалайзеру
21. Кнопка попередніх налаштувань 2/ Попередній трек/Швидке перемотування назад
22. Кнопка попередніх налаштувань 1/Кнопка з'єднання блютузу
23. Світлодіодний дисплей
24. Акумуляторний відсік
25. Мікро USB-порт для оновлення програмного забезпечення.

СИМВОЛИ

Нижче наводяться символи, що використовуються в обладнанні. Переконайтеся, що Ви розумієте їх значення, перш ніж приступати до використання.



Прочитайте інструкцію з використання.

ВАЖЛИВІ ВКАЗІВКИ БЕЗПЕКИ

ЗАСТЕРЕЖЕННЯ:

Працюючи з електричним обладнанням, слід дотримуватися загальноприйнятих правил безпеки, щоб запобігти ризику виникнення пожежі, електричного шоку і травм. Для цього слід:

1. Уважно прочитати цю інструкцію, а також інструкції до зарядного пристрою, перш ніж приступати до їх використання.
2. Для чищення використовувати тільки суху ганчірку.
3. Не встановлювати обладнання біля джерел тепла, наприклад, біля радіаторів, обігрівачів або інших пристроїв (у тому числі підсилювачі).
4. Використовуйте тільки ті пристосування/ аксесуари, що рекомендовані виробником.
5. Вимикайте це обладнання від мережі під час грози або якщо Ви не плануєте його використовувати тривалий час.
6. Акумуляторний радіоприймач із вбудованим акумулятором або окремим акумуляторним блоком необхідно перезаряджати,

- використовуючи лише рекомендований зарядний пристрій для акумуляторів. Зарядний пристрій, який підходить для акумуляторів одного типу, може призвести до пожежі у разі використання з акумуляторами іншого типу.
- Використовуйте акумуляторний радіоприймач лише з рекомендованим типом акумуляторів. Використання будь-яких інших акумуляторів може створити небезпеку виникнення пожежі.
 - Якщо ви не використовуєте батареї, зберігайте їх далеко від виробів з металу, наприклад: скріпки, монети, ключі, цвяхи, гвинти або ін. дрібні металеві предмети, які можуть замкнути контакти батареї. Коротке замикання в контактах батареї може викликати іскру й стати причиною займання або пожежі.
 - Уникайте контакту тіла із заземленими поверхнями, такими як труби, радіатори, плити та холодильники, оскільки існує підвищений ризик ураження електричним струмом, якщо ваше тіло заземлено.
 - У випадку неправильного поводження батарея може потекти. Уникайте контакту з рідиною з батареї. При випадковому потрапленні на шкіру змийте водою. Якщо рідина потрапила в очі, негайно зверніться по медичну допомогу. Рідина з батареї може викликати роздратування або опіки.
 - Не користуйтеся пошкодженим або модифікованим акумуляторним блоком чи інструментом. Пошкоджені або модифіковані акумулятори можуть демонструвати непередбачувану поведінку, що може спричинити пожежу, вибух або ризик травмування.
 - Не піддавайте акумулятора або пристрою впливу вогню та високих температур. Нагрівання вище ніж 130 °C (266°F) градусів може призвести до вибуху.
 - Виконуйте всі інструкції із зарядки та не здійснюйте її за межами температурних умов, що зазначені у цій інструкції, бо це може призвести до ушкодження акумулятора та підвищити ризик пожежі.
 - МЕРЕЖЕВИЙ штепсель використовується для відключення від мережі, а тому він повинен залишатися легко доступним.
 - Не використовуйте пристрій на високому рівні гучності тривалий період часу. Щоб уникнути пошкодження слуху, використовуйте цей пристрій на помірному рівні гучності.
 - (Для продуктів із РК-дисплеєм) РК-дисплеї містять рідину, яка може спричинити подразнення та отруєння. Якщо рідина потрапила в очі, рот або шкіру, промийте їх водою та зверніться до

лікаря.

- Не утримуйте пристрій під дощем або у вологих умовах. Якщо вода потрапить у пристрій, виникне ризик ураження електричним струмом.
- Цей продукт не призначений для використання особами (включаючи дітей) з обмеженими фізичними, чуттєвими або розумовими здібностями або відсутністю досвіду та знань, крім випадків, коли вони знаходяться під наглядом або виконують вказівки особи, відповідальної за їхню безпеку, стосовно використання продукту. Стежте за тим, щоб діти не грали із пристроєм. Зберігайте пристрій у місцях, недоступних для дітей.

ЗБЕРЕЖІТЬ ЦЮ ІНСТРУКЦІЮ

СПЕЦІАЛЬНІ ПРАВИЛА БЕЗПЕКИ

ДЛЯ АККУМУЛЯТОРНОГО КАРТРИДЖА

- Перш ніж приступати до роботи з акумуляторним картриджем, прочитайте всі інструкції і попереджуючі зауваження, що стосуються (1) зарядного пристрою для батареї, (2) батареї (3) обладнання, що працює на батареях.
- Не розбирайте акумулятори.
- Якщо термін роботи батареї значно скоротився, негайно припиніть роботу, оскільки це може викликати перегрів, займання і навіть вибух.
- Якщо Вам в очі потрапив електроліт, негайно промийте їх чистою водою та відразу ж зверніться по медичну допомогу, бо Ви можете втратити зір.
- Не допускайте замикання контактів батареї, а саме:
 - Не торкайтеся контактів ніякими матеріалами, які проводять струм.
 - Не зберігайте батареї у контейнерах, де присутні інші металеві предмети, наприклад, цвяхи, монети та ін.
 - Не допускайте попадання на батарею вологи і води. Це може призвести до замикання батареї, результатом чого може стати перенапруження, перенагрівання, займання або несправність.
- Не зберігайте обладнання та акумулятори в місцях, де температура може досягати або перевищувати 50°C (122°F).
- Не кидайте батареї у вогонь, навіть якщо вони сильно пошкоджені або повністю зношені, оскільки у вогні батареї можуть вибухнути.
- Не кидайте батареї та оберегайте їх від механічного впливу та ударів.

9. Не використовуйте пошкоджені батареї.
10. Аби уникнути цих ризиків, слід спочатку ознайомитися з інструкцією. Максимальний розрядний струм акумулятора повинен бути більше або дорівнювати 8 А.
11. Літєві акумулятори підлягають спеціальним правилам поводження із ними. Щодо їх транспортування та продажу третьою особою, утримання тощо, слід уважно ознайомитися із вимогами на етикетках. Для підготовки до транспортування слід отримати консультацію спеціаліста щодо шкідливості матеріалів, а також уважно ознайомитися із місцевими умовами стосовно безпеки.
Зафіксуйте та заверніть акумулятор належним чином, щоб він не рухався усередині пакунку.
12. Утилізуючи картридж з акумулятором, витягніть його з пристрою та викиньте його в безпечне місце. Дотримуйтесь місцевих норм щодо утилізації акумуляторів.
13. Використовуйте акумулятор тільки з пристроями, що були рекомендовані Makita. Використання акумулятора з іншими пристроями може спричинити пожежу, перегрівання, витікання електроліту та навіть вибух. Якщо Ви не збираєтеся використовувати пристрій тривалий період часу, акумулятор слід витягти з пристрою.

⚠ ЗАСТЕРЕЖЕННЯ:

- Існує безпека, якщо неправильно встановити акумулятор.
- Для заміни використовуйте такий же самий тип акумулятора.
- Використовуйте тільки акумулятори Makita. Використання акумуляторів інших виробників може призвести до травм, пожежі та інших ушкоджень. У такому випадку компанія Makita знімає із себе гарантійну відповідальність за пристрій та зарядку.

Поради щодо забезпечення максимального терміну служби батарей

1. Заряджайте батарею до того, як вона повністю розрядилася. Як тільки Ви помітите, що обладнання працює із меншою потужністю, зупиніть роботу та поставте батарею на зарядку.
2. Не ставте на підзарядку батарею, яка повністю заряджена. Перезарядка скорочує термін служби батареї.
3. Заряджайте батареї у приміщеннях при температурі від 10° C до 40° C (50° F - 104° F). Якщо батарея нагрілася, охладіть її, перш ніж ставити на підзарядку.

ЧАС УПРАВЛІННЯ

Відповідні для даного радіоприймача батарейки вказані в таблиці нижче.

У наступній таблиці наводиться час роботи після зарядки.

Ємність акумулятора	Напруга касетного акумулятора			ПРИ ВИХОДІ НА ДИНАМІКУ = 100 мВт Година (приблизно)	
	10,8 В - макс. 12 В	14.4В	18В	У режимі радіоприймача або AUX	в режимі блютузу +USB-зарядка
1.3 А-год.		BL1415		3.5	0.7
			BL1815	4.0	1.0
1.5 А-год.	BL1015 BL1016			5.5	0.8
		BL1415N BL1415NA		4.5	0.9
			BL1815N	5.0	1.2
2.0 А-год.	BL1020B BL1021B			7.0	1.0
			BL1820 BL1820B	6.5	1.6
3.0 А-год.		BL1430 BL1430B BL1430A		8.0	1.6
			BL1830 BL1830B	9.0	2.3
4.0 А-год.	BL1040B BL1041B			14	2.1
		BL1440		12	2.5
			BL1840 BL1840B	13	3.2
5.0 А-год.		BL1450		15	3.0
			BL1850 BL1850B	16	4.2
6.0 А-год.		BL1460B BL1460A		16	3.3
			BL1860B	20	5.0

⚠ ПОПЕРЕДЖЕННЯ:

Використовуйте лише перелічені вище картриджі. Використання будь-яких інших картриджів може спричинити травми та/або пожежу.

Примітка:

- Таблиця вище щодо часу роботи акумулятору наведена для довідки.
- Фактичний час роботи може відрізнятись залежно від типу акумулятору, умов зарядки або середовища використання.
- Залежно від регіону, де Ви живете, деякі акумуляторні картриджі й зарядні пристрої, перелічені вище, можуть бути недоступні.

ВСТАНОВЛЕННЯ І ДЖЕРЕЛО ЖИВЛЕННЯ (МАЛ.2)

⚠ УВАГА:

- Будьте обережні, щоб не затиснути пальці при відкриванні та закриванні кришки акумуляторного відсіку.
- Після установки або зняття картриджа поверніть акумуляторний відсік в початкове положення. В іншому випадку акумуляторний картридж може випадково випасти з радіоприймача, заподіявши шкоди Вам або кому-небудь іншому.
- Перед переміщенням радіоприймача завжди закривайте і блокуйте акумуляторний відсік.
- Завжди вимикайте радіо, перш ніж встановлювати або видаляти акумуляторний картридж.
- Будьте обережні, щоб не впустити приймач і не вдарити по ньому. Через пошкодження оболонки можна порізати палець або інші частини тіла. Пошкоджений приймач може призвести до пожежі, вибуху або стати причиною травм.

ВАЖЛИВО:

- Знижена міцність, спотворення звуку, переривчастий звук, а також у випадку, якщо на дисплеї з'являється символ " ! Низький заряд", - усе це є ознакою того, що основний акумуляторний блок необхідно замінити.
- Акумуляторний картридж неможливо зарядити за допомогою адаптеру змінного струму.
- Акумуляторний картридж не входить до комплекту поставки.

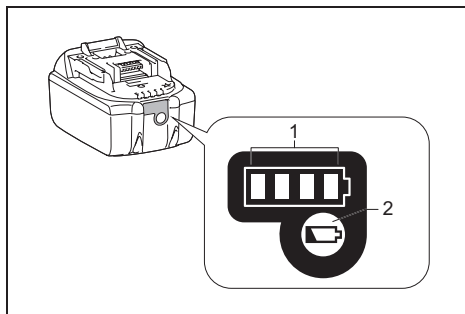
УСТАНОВЛЕННЯ ТА ЗМІННЯ ВИСУВНОЇ КАСЕТИ АКУМУЛЯТОРУ (Мал. Зи 4)

- Щоб установити касету акумулятора, слід сумістити виступ на касеті акумулятора із пазом у корпусі та поставити касету на місце. Завжди вставляйте її до кінця, доки не почуєте клацання.
- Якщо на верхній частині кнопки помітний червоний індикатор, це означає, що касета акумулятора встановлена не до кінця. Уставляйте її повністю, аж поки червоний індикатор стане невидимим. Якщо цього не зробити, вона може випадково випасти з радіоприймача та завдати травми Вам або людям, що знаходяться поруч.
- Не застосовуйте силу, вставляючи касету акумулятора. Якщо касету вставити важко, це означає, що Ви її невірні вставляєте.

- Щоб витягнути акумуляторний картридж, виштовхніть його з радіоприймача, зсунувши кнопку на передній панелі картриджу.

ВІДОБРАЖЕННЯ ЗАЛИШКОВОГО РЕСУРСУ АКУМУЛЯТОРА

- * Тільки для касет з акумулятором, що мають літеру "В" наприкінці номера моделі



- 1. Лампочки індикаторів 2. Кнопка контролю
- Натисніть на кнопку перевірки на касеті з акумулятором, щоб відобразити залишковий ресурс акумулятора. Індикаторні лампи загоряються на декілька секунд.

- Акумулятори 14,4В/18В

Лампочки індикаторів			Залишковий заряд
Горить	Вимк	Блимає	
■ ■ ■ ■			75% ~ 100%
■ ■ ■ □			50% ~ 75%
■ ■ □ □			25% ~ 50%
■ □ □ □			0% ~ 25%
▬ □ □ □			Зарядить батарею
■ ■ □ □	↑ ↓	□ □ ■ ■	Можливо, батарея вийшла з ладу

● Акумулятори 10,8В-12В макс

Лампочки індикаторів			Залишковий заряд
Горить	Вимк	Блимає	
■ ■ ■ ■			75% ~ 100%
■ ■ ■ □			50% ~ 75%
■ ■ □ □			25% ~ 50%
■ □ □ □			0% ~ 25%

ПРИМІТКА:

Залежно від умов використання і температури навколишнього середовища результати можуть трохи відрізнятись від фактичної ємності батареї.

ВИКОРИСТАННЯ АС-АДАПТЕРУ ЖИВЛЕННЯ, ЩО ВХОДИТЬ ДО КОМПЛЕКТУ

Видаліть гумовий захист і вставте виделку адаптера в гніздо DC, розташоване праворуч на приймачі. Підключіть адаптер до стандартної розетки. Якщо використовується адаптер, акумуляторний картридж автоматично відключається.

⚠ УВАГА:

- Завжди відключайте адаптер живлення АС, перш ніж переміщати приймач. Якщо не від'єднати адаптер АС, це може викликати електричне замикання.
- Ніколи не тягніть адаптер за шнур. Інакше це може призвести до несподіваної уламки і травмувати Вас чи оточуючих.

ВАЖЛИВО:

- Мережевий адаптер використовується як засіб підключення радіоприймача до електромережі. Електрична розетка, яка використовується для радіо, повинна бути доступною і під час звичайного використання.
- Щоб відключити радіоприймач, мережевий адаптер слід повністю витягнути з електричної розетки.
- Використовуйте адаптер змінного струму АС, який постачається разом із виробом або той, що схвалений Makita.
- Не тримайте кабель живлення у роті та не намагайтеся закріпити його ротом. Це може призвести до ураження електричним струмом.
- Не торкайтеся розетки живлення мокрими або жирними руками.
- Пошкоджені або заплутані шнури збільшують ризик ураження електричним струмом. Якщо шнур

пошкоджено, його потрібно замінити у нашому авторизованому сервісному центрі, щоб уникнути небезпеки. Не використовуйте пристрій, доки його не буде відремонтовано.

- Після використання завжди зберігайте адаптер змінного струму в місцях, недоступних для дітей. Якщо діти будуть тягнути пристрій за шнур, вони можуть постраждати.

ЗАРЯДЖАННЯ ЧЕРЕЗ USB-ПОРТ ЖИВЛЕННЯ

У передній частині радіоприймача знаходиться USB-порт. Через цей USB-порт Ви можете заряджати USB-пристрій.

1. Приєднайте USB-пристрій, наприклад MP3 або CD-плеєр, за допомогою доступного у продажу USB-кабелю.
2. Натисніть кнопку "Живлення", щоб увімкнути радіоприймач.
3. Не має значення, як живиться радіо: від джерела живлення змінного струму або від акумулятора, радіо може заряджати USB-пристрій, якщо радіо увімкнено, а також в радіо-режимі DAB/FM, в режимі блютузу або в ауксiальному режимі, який активується, якщо підключене зовнішнє аудіоджерело.

Примітка:

- Під час здійснення заряджання через USB знижується максимальний рівень гучності динаміка.
- Гніздо USB видає електричний струм не більше 2,4А напругою 5 В.

Важливо:

- Перш ніж приєднувати USB-пристрій до USB-порту, завжди робіть резервні копії Ваших даних, що перебувають на USB-пристрої. Інакше існує ймовірність втрати цих даних.
- Радіо може не подавати живлення на деякі USB-пристрої.
- Якщо Ви не використовуєте USB-порт або закінчили заряджання, витягніть USB-кабель і закрийте кришку.
- Не приєднуйте джерело живлення до USB-порту. Інакше існує небезпека виникнення пожежі. USB-порт призначений для заряджання лише низьковольтних пристроїв. Коли Ви не здійснюєте заряджання низьковольтного пристрою, завжди приєднуйте кришку до USB-порту.
- Не встромляйте цвяхи, дроти тощо у USB-порт живлення. Інакше коротке замикання може спричинити появу диму і вогню.
- Не з'єднуйте гніздо USB із USB-портом ПК, тому що існує велика ймовірність того, що пристрої вийдуть з ладу.

ПРОСЛУХОВУВАННЯ РАДІО

У цьому радіоприймачі передбачено три способи пошуку станцій – шляхом сканування, ручного пошуку і виклику з пам'яті попередньо заданих станцій.

Вибір станції – DAB

Примітка:

Антену DAB вбудовано до ручки. Управляючи радіо, випряміть ручку над радіоприймачем, щоб поліпшити приймання сигналу.

1. Натисніть кнопку живлення, щоб увімкнути радіо.
2. Виберіть режим DAB, натиснувши кнопку Діапазон.
3. Натисніть ручку налаштувань, щоб увійти до списку станцій. Можна також натиснути кнопку розширених налаштувань, а потім повернути ручку налаштувань і вибрати "Список станцій". Натисніть ручку налаштувань для входу до списку станцій.
4. Поверніть ручку налаштувань, щоб перегортати список доступних станцій. Натисніть ручку налаштувань, щоб вибрати станцію.
5. Відрегулюйте рівень гучності повернувши кнопку гучності.

Режим дисплею – DAB

У радіоприймачі існує низка параметрів відображення в режимі DAB.

Натисніть кнопку Інформація для вибору з різноманітних опцій.

- | | |
|-----------------------------|--|
| a. Сегмент динамічної мітки | Додаткова послуга передачі даних у текстовому вигляді (до 128 символів) виконуються одночасно із радіопрограмою DAB або DAB +. Відображається прокручуване текстове повідомлення, а саме: виконавець/назва трека, номер телефону і т. д. |
| b. Тип програми | Висвітлюється тип станції, що прослуховується, наприклад, Поп, Класика, Новини і т. д. |
| c. Складна назва | Відображає складну назву DAB, до якої відноситься станція, яку Ви слухаєте. |
| d. Частота і канал | Висвітлюється частота й номер каналу налаштованої станції DAB. |
| e. Помилка/сила сигналу | Висвітлюється помилка й сила сигналу станції, яку Ви слухаєте. Чим нижче показник помилки сигналу, тим краще якість радіосигналу. |

- | | |
|----------------------|---|
| f. Бітрейт/Тип аудіо | Висвітлюється бітрейт цифрового аудіо й тип аудіо для налаштованої станції DAB. |
| g. Дата | Висвічується поточна дата. |

Якщо трансляція DAB надає зображення у вигляді слайд-шоу, його можна переглянути в повноекранному режимі, натиснувши та утримуючи ручку управління налаштуваннями. Якщо трансляція є стереофонічною, то внизу на дисплеї висвітлюється символ стереодинаміку.

Виявлення нової станції – DAB

Час від часу з'являються нові радіостанції DAB. Або, можливо, Ви переїхали до іншого місця. У цих випадках може знадобитися активувати сканування нових радіостанцій.

Щоб радіоприймач виявив усі доступні станції, рекомендується запустити повне сканування всіх частот DAB у діапазоні III.

1. Натисніть кнопку живлення, щоб увімкнути радіо.
2. Натисніть кнопку Діапазон, щоб вибрати радіорежим DAB.
3. Натисніть кнопку Автоналаштування, щоб запустити сканування. На дисплеї з'явиться "Сканування", а на радіоприймачі розпочнеться сканування частот DAB діапазону III. Після виявлення нових станцій номер станції збільшиться, а виявлену станцію буде додано до списку. Хід сканування відображається на шкалі.

Ручне налаштування – DAB

Ручне налаштування дозволяє налаштувати радіо на певну частоту DAB в діапазоні III. Цю функцію також можна використовувати для полегшення позиціонування антени або радіоприймача, щоб оптимізувати приймання сигналу для певного каналу або частоти.

1. У режимі DAB натисніть кнопку розширених налаштувань, щоб увійти до меню налаштувань.
2. Поверніть ручку налаштувань, щоб вибрати розділ "Ручне налаштування". Натисніть ручку налаштувань, щоб увійти до режиму ручних налаштувань.
3. Поверніть ручку налаштувань для вибору потрібної станції DAB. Натисніть ручку налаштувань для підтвердження обраної частоти.

Управління динамічним діапазоном (DRC) – DAB

Функція DRC допомагає отримати більш тихий звук, якщо Ваше радіо використовується в шумних обставинах, за рахунок зменшення динамічного діапазону аудіосигналу. Існує три рівні компресії:

- 1 Використовується максимальний рівень компресії.
 - 1/2 Використовується середній рівень компресії.
 - 0 Компресія не використовується.
1. Щоб увійти до меню налаштувань у режимі DAB, натисніть кнопку розширених налаштувань.
 2. Поверніть ручку налаштувань для вибору "DRC". Потім натисніть ручку налаштувань, щоб увійти до налаштувань. На дисплеї висвітлюється поточний параметр DRC.
 3. Поверніть ручку налаштувань, щоб вибрати потрібне налаштування DRC.
 4. Натисніть ручку налаштувань для підтвердження вибору.

Налаштування послідовності станцій – DAB

Ваше радіо має для вибору 3 налаштування порядку станцій. Налаштування порядку станцій є буквено-цифровим, змішаним та дійсним.

1. У режимі DAB натисніть кнопку розширених налаштувань, щоб увійти до меню налаштувань.
2. Поверніть ручку налаштувань, щоб вибрати "Порядок станцій", а потім натисніть ручку налаштувань для входу до налаштувань.
3. Поверніть ручку налаштувань, щоб вибрати одну з наступних опцій, а потім натисніть ручку налаштувань для підтвердження:

За абеткою/ нумерація	Список станцій сортовано за номерами/за абеткою, 0...9/A...Я.
Змішаний	Список станцій організований DAB-мультиплекс.
Дійсний	Висвітлюються тільки ті станції, сигнал яких був виявлений.

Налаштування сканування – FM

Примітка:

Антену FM вбудована до ручки. Управляючи радіо, будь ласка, випряміть ручку над радіоприймачем, щоб отримати краще приймання радіосигналу.

1. Натисніть кнопку живлення, щоб увімкнути радіоприймач.
2. Натисніть кнопку Діапазон для вибору режиму радіо FM.
3. Натисніть кнопку автосканування, після цього радіоприймач розпочне пошук, який автоматично зупиниться після виявлення радіостанції.
4. Через кілька секунд інформація на дисплеї зупиниться. На дисплеї висвітлюється частота виявленого сигналу. Якщо сигнал досить сильний та існують дані RDS, на дисплеї висвітлюється назва станції.

5. Щоб знайти іншу станцію, натисніть Кнопку автоматичного сканування, як було описано вище.
6. Коли буде досягнуто кінець діапазону станцій, радіоприймач відновить сканування з протилежного кінця діапазону.
7. Поверніть ручку налаштувань, щоб вибрати потрібний рівень гучності.

Примітка:

Не слід обирати надто високий рівень гучності. Щоб запобігти можливому пошкодженню слуху, не слухайте радіо на занадто високій гучності протягом тривалого часу.

8. Щоб вимкнути радіоприймач, натисніть кнопку живлення.

Ручне сканування – FM

1. Натисніть кнопку живлення, щоб увімкнути радіо.
2. Натисніть кнопку Діапазон для вибору режиму радіо FM.
3. Натисніть ручку налаштувань для переключення до режиму сканування.
4. Поверніть ручку налаштувань, щоб знайти потрібну станцію.
5. Щоб відрегулювати гучність, ще раз натисніть кнопку налаштувань та переключіться до режиму управління гучністю.
6. Поверніть кнопку гучності, щоб вибрати потрібний рівень.

Режими дисплею – FM(RDS)

Радіоприймач має кілька варіантів відображення для режиму FM-радіо.

Індикатор RDS у нижній частині дисплею показує, що у трансляції присутні деякі дані RDS. Дисплей стереодинаміку показує, що радіо приймає стереосигнал.

Послідовним натисканням кнопки Інформація висвітлюється інформація RDS (Система радіоданих) станції, яку Ви слухаєте:

- | | |
|-----------------|---|
| a. Радіотекст | Висвітлюється текстове радіоповідомлення, наприклад, новий розділ і т. д. |
| b. Тип програми | Висвітлюється тип станції, яку Ви слухаєте, наприклад Поп, Класика, Новини і т. д. |
| c. Частота | Висвітлюється частота сигналу FM. (якщо інформація RDS відсутня, на дисплеї висвітлюється "Без назви"). |
| d. Аудіорежим | Висвітлюється поточний аудіорежим. |
| e. Дата | Висвітлюється сьогоднішня дата. |

Зона сканування FM

У режимі FM Ваше радіо може бути налаштоване на сканування або локальних станцій, або всіх станцій, включаючи віддалені радіостанції.

1. Для входу до меню налаштувань в режимі FM натисніть кнопку розширених налаштувань.
2. Поверніть ручку налаштувань, щоб вибрати "Зона сканування". Натисніть ручку налаштувань, щоб увійти до налаштувань. Поточне налаштування відзначено галочкою.
3. Поверніть ручку налаштувань і виберіть розділ "Місцеві" (тільки станції із сильним сигналом) або "Віддалені" (всі станції). Дистанційна опція дозволить радіоприймачеві під час сканування знаходити станції з більш слабким сигналом.
4. Натисніть ручку налаштувань для підтвердження вибору. Налаштування місцевих або віддалених станцій зберігаються у пам'яті радіоприймача і залишаються чинними до моменту скидання налаштувань системи.

Сtereo-/Мононалаштування – FM


Якщо FM-радіостанція, яку Ви прослуховуєте, має слабкий сигнал, можливо чути шуми. Їх можна зменшити, переключивши відтворення з режиму стерео до режиму моно.

1. Переконайтеся, що радіоприймач знаходиться у режимі FM, та налаштуйте потрібну FM-станцію.
2. Натисніть кнопку розширених налаштувань для входу до меню налаштувань.
3. Поверніть ручку налаштувань і виберіть розділ "Аудіоналаштування". Натисніть ручку налаштувань для входу до налаштувань. Використовуване в цей момент аудіоналаштування відзначено галочкою.
4. Поверніть ручку налаштувань, щоб вибрати опцію "Примусове моно" або "Сtereo дозволено". Натисніть ручку налаштувань для підтвердження вибору.

Попереднє налаштування станцій у режимах DAB и FM

Для обох режимів DAB та радіо FM існує по 5 попередніх налаштувань. Вони функціонують аналогічно для кожного діапазону.

1. Натисніть кнопку живлення, щоб увімкнути радіоприймач.
2. Натисніть кнопку Діапазон, щоб вибрати потрібний діапазон. Налаштуйте потрібну радіостанцію, як описано вище.
3. Натисніть і утримуйте потрібну кнопку попередніх налаштувань, поки на дисплеї не з'явиться (наприклад) "Попереднє налаштування 1

збережено".  висвітлюється внизу на дисплеї. Станцію буде збережено на обрану кнопку попередніх налаштувань. Якщо треба, повторіть ті самі дії для решти попередніх налаштувань.

4. Попередньо налаштовані станції, яких уже було збережено, можна перезаписати, якщо виконати дії, що були описані вище.

Визов попередніх налаштувань у режимах DAB и FM

1. Натисніть кнопку живлення, щоб увімкнути радіоприймач.
2. Натисніть кнопку Діапазон для вибору режиму DAB або радіо FM.
3. На секунду натисніть потрібну кнопку попередніх налаштувань, щоб налаштувати радіоприймач на одну з радіостанцій, що збережені у пам'яті попередніх налаштувань.

ІНШІ НАЛАШТУВАННЯ

Автоматичне оновлення годинника

Ви можете активувати корекцію часу за DAB або радіо FM. У випадку збою живлення час на годиннику радіоприймача встановиться наступного разу, коли Ви увімкнете радіо в режимі DAB або FM.

1. Коли радіоприймач увімкнений, натисніть кнопку розширених налаштувань для входу в меню поточного режиму.
2. Поверніть ручку налаштувань і виберіть розділ "Час/Дата". Натисніть ручку налаштувань для входу до налаштувань.
3. Поверніть ручку налаштувань і виберіть розділ "Автооновлення". Натисніть ручку налаштувань, щоб увійти до меню оновлення.
4. Поверніть ручку налаштувань і виберіть опцію оновлень з "з будь-яких", "з DAB" або "з FM", за своїм бажанням. Натисніть ручку налаштувань для підтвердження свого вибору. Поточне налаштування буде відзначено галочкою.

Установка формату годиннику

1. Коли радіоприймач увімкнено, натисніть кнопку розширених налаштувань для входу до меню поточного режиму.
2. Поверніть ручку налаштувань для вибору розділу "Час/Дата". Натисніть ручку налаштувань для входу до налаштувань.
3. Поверніть ручку налаштувань для вибору "Налаштування 12/24 години". Натисніть ручку налаштувань для входу до налаштувань формату годин. Поточний формат годин відзначений галочкою.
4. Поверніть ручку налаштувань для вибору 12-

або 24-годинного формату. Натисніть ручку налаштувань для підтвердження Вашого вибору. Якщо обраний 12-годинний формат, на дисплеї з'явиться також час у 12-годинному форматі з позначкою АМ (перша половина дня) або РМ (друга половина дня).

Установка формату дати

1. Коли радіоприймач увімкнено, натисніть кнопку розширених налаштувань для входу до меню поточного режиму.
2. Поверніть ручку налаштувань для вибору розділу "Час/Дата". Натисніть ручку налаштувань для входу до налаштувань.
3. Поверніть ручку налаштувань для вибору "Налаштування формату дати". Натисніть ручку налаштувань для входу до налаштувань.
4. Поверніть ручку налаштувань для вибору формату дати "ДД-ММ-РРРР" або "ММ-ДД-РРРР". Натисніть ручку налаштувань для підтвердження свого вибору.

Гучність

Ви можете отримати компенсацію на більш низькій та більш високій частоті для Вашого радіоприймача, відрегулювавши функцію гучності.

1. Коли радіоприймач увімкнено, натисніть кнопку розширених налаштувань для входу до меню поточного режиму.
2. Поверніть ручку налаштувань і виберіть "Гучність". Натисніть ручку налаштувань для підтвердження налаштувань.
3. Поверніть ручку налаштувань і виберіть опцію "УВІМК" для функції гучності. Щоб вимкнути функцію гучності, виберіть опцію "ВИМК". Натисніть ручку налаштувань для підтвердження свого вибору.

Мовні налаштування

В радіоприймачі є вісім варіантів мовних налаштувань: англійська, німецька, італійська, французька, німецька, датська, норвезька або польська.

1. Коли радіоприймач увімкнено, натисніть кнопку розширених налаштувань для входу до меню поточного режиму.
2. Поверніть ручку налаштувань і виберіть розділ "Мова". Натисніть ручку налаштувань для підтвердження налаштувань.
3. Поверніть ручку налаштувань для вибору мови. Натисніть ручку налаштувань для підтвердження свого вибору.

Налаштування виробника

Якщо Ви хочете повернутися до налаштувань виробника, це можна зробити, виконавши наступні дії, при цьому слід пам'ятати, що всі налаштування користувача будуть скасовані:

1. Коли радіоприймач увімкнено, натисніть кнопку розширених налаштувань для входу до меню поточного режиму.
2. Поверніть ручку налаштувань і виберіть розділ "Налаштування виробника". Натисніть ручку налаштувань для підтвердження вибору.
3. Поверніть ручку налаштувань і виберіть "Так" або "Ні". Якщо Ви не хочете скидати свої налаштування, виберіть опцію "Ні", а потім натисніть ручку налаштувань для підтвердження вибору. Якщо Ви обираєте опцію "Так", натиснувши ручку налаштувань, усі налаштування радіоприймача повернуться до налаштувань виробника. Список станції і попередні налаштування знищаться. Всі налаштування повернуться до налаштувань за замовчуванням.

У разі збою через електростатичний розряд виконайте скидання налаштувань (може знадобитися перепідключення джерела живлення), щоб відновити нормальне функціонування.

Мікро USB-порт для оновлення програмного забезпечення

Оновлення програмного забезпечення для Вашого радіоприймача буде в майбутньому доступне. Після створення оновлень програмного забезпечення, на сайті **Makita** з'явиться як саме програмне забезпечення, так і інформація про те, як виконати оновлення вашого радіоприймача.

1. За допомогою кабелю мікро-USB (не входить до комплекту) з'єднайте USB-гніздо на акумуляторному відсіку з комп'ютером.
2. Коли радіоприймач увімкнений, натисніть кнопку розширених налаштувань для входу до меню поточного режиму.
3. Поверніть ручку налаштувань і виберіть розділ "Оновлення програмного забезпечення". Натисніть ручку налаштувань для підтвердження вибору.
4. Поверніть ручку налаштувань, щоб вибрати опцію "Так" або "Ні". Якщо Ви не збираєтесь виконувати оновлення програмного забезпечення, виберіть опцію "Ні" і натисніть ручку налаштувань для підтвердження налаштувань. Вибравши опцію "Так", натисніть ручку налаштувань, на дисплеї з'явиться повідомлення "Очікування установки". Увійдіть на веб-сайт, щоб завантажити останню версію програмного забезпечення. Для завершення оновлень програмного забезпечення дотримуйтеся вказівок на комп'ютері.

Примітка:

Оновлення програмного забезпечення виконуйте за допомогою адаптера змінного струму в якості джерела живлення. Забороняється відключати живлення радіоприймача до завершення оновлення і до повного перезавантаження радіоприймача, щоб не викликати його пошкодження.

Версія програмного забезпечення

1. Коли радіоприймач увімкнений, натисніть кнопку розширених налаштувань для входу до меню поточного режиму.
2. Поверніть ручку налаштувань, щоб вибрати опцію "Версія програмного забезпечення". Натисніть ручку налаштувань, щоб вивести на дисплей версію програмного забезпечення.

Функція еквайзера

Існує 7 варіантів світлодіодних індикаторів навколо ручки налаштувань, що вказують на різні варіанти режимів еквайзера.

1. Натисніть кнопку "Живлення", щоб увімкнути радіоприймач.
2. Натисніть на кнопку управління еквайзером, щоб увійти до меню налаштувань еквайзера.
3. Поверніть ручку налаштувань, щоб вибрати потрібний режим. Після цього натисніть ручку налаштувань, щоб підтвердити свій вибір.

Режим еквайзера	Світлодіодний індикатор
ЗВИЧАЙНИЙ	Білий
ДЖАЗ	Синій
РОК	Червоний
КЛАСИКА	Коричневий
ПОП	Рожевий
НОВИНИ	Жовтий
Мій еквайзер	Зелений

Налаштування профілю Мій еквайзер

1. Натисніть кнопку Еквайзер, щоб увійти до меню налаштувань еквайзера.
2. Поверніть ручку налаштувань, щоб вибрати опцію "Налаштування мого еквайзера". Потім натисніть ручку налаштувань для входу в меню налаштувань.
3. Поверніть ручку налаштувань, щоб вибрати налаштування "Високі". Натисніть ручку налаштувань для підтвердження. Поверніть ручку налаштувань для вибору потрібного рівня високих. Натисніть ручку налаштувань для підтвердження вибору.

4. Поверніть ручку налаштувань, щоб вибрати налаштування "Середні". Натисніть ручку налаштувань для підтвердження. Поверніть ручку налаштувань для вибору потрібного рівня середніх. Натисніть ручку налаштувань для підтвердження вибору.
5. Поверніть ручку налаштувань, щоб вибрати налаштування "Баси". Натисніть ручку налаштувань для підтвердження. Поверніть ручку налаштувань для вибору потрібного рівня басів. Натисніть ручку налаштувань для підтвердження вибору.

Увага:

Під час використання еквайзера для посилення низьких частот і прослуховування на високих рівнях гучності можуть з'явитися тріск і спотворення звуку. В цьому випадку відрегулюйте рівень гучності радіоприймача.

ПРОСЛУХОВУВАННЯ МУЗИКИ ЗА ДОПОМОГОЮ ПОТОКОВОГО ПЕРЕДАВАННЯ ЧЕРЕЗ БЛЮТУЗ

Слід з'єднати ваш блютуз-пристрій із радіо, перш ніж Ви зможете автоматично переходити до відтворення/стриму блютуз-музики за допомогою радіо. З'єднання встановлює «зв'язок», завдяки чому два пристрої можуть розпізнавати один одного.

ПРИМІТКА:

- Щоб поліпшити якість звуку, рекомендуємо встановити гучність на рівні понад дві третини на Вашому блютуз-пристрої, а потім відрегулювати гучність на радіо за своїм бажанням.
- Радіо здатне запам'ятати до 8 налаштувань з'єднаних пристроїв; якщо обсяг пам'яті досягає цієї кількості, найстаріший запис буде знищено та замінено новим.

Спарювання Вашого блютуз-пристрою в перший раз

1. Натисніть кнопку живлення, щоб увімкнути радіоприймач. Натисніть кнопку Діапазон для вибору режиму блютузу. На дисплеї з'явиться "Спарювання BT", а кнопки попередніх установок (1-5) будуть блимати білим кольором, показуючи, що радіоприймач знайдено.
2. Активуйте блютуз на своєму пристрої, виконуючи інструкції з експлуатації пристрою, щоб встановити зв'язок із радіоприймачем. У списку блютуз-пристроїв виберіть пристрій під назвою "DMR115" (у деяких мобільних телефонах із більш ранньою

версією, ніж BT2.1, може знадобитися ввести пароль "0000").

- Щойно з'єднання встановиться, пролунає звук підтвердження. Кнопки попередніх налаштувань (1-5) будуть горіти постійним білим кольором. Ви можете просто вибрати і запустити відтворення музики з пристрою. Рівень гучності можна відрегулювати на своєму пристрої або безпосередньо на радіо.
- Використовуйте кнопки управління на блютуз-пристрої або на радіоприймачі, щоб запускати відтворення/паузу або вибір треків.

ПРИМІТКА:

- Якщо під час першого підключення два блютуз-пристрої одночасно знайдуть радіоприймач, він покаже свою доступність на обох пристроях. Однак, якщо один пристрій першим з'єднається з цим приймачем, інший блютуз-пристрій не знайде його в списку.
- Якщо Ваш блютуз-пристрій тимчасово відключений від радіо, необхідно його знову підключити.
- Якщо в списку блютуз-пристроїв відображається «DMR115», але Ваш пристрій не може підключитися до нього, видаліть елемент зі списку і знову підключіть пристрій до радіо, виконуючи інструкції, описані вище.
- Оптимальний діапазон поточної передачі блютузу становить близько 10 метрів (30 футів) до приймача (в межах видимості), але можлива відстань і до 30 метрів (100 футів).
- Якщо блютуз-з'єднання втрачено через перевищення оптимальної відстані або часу роз'єднання, перешкод або з іншої причини, може знадобитися повторне підключення Вашого пристрою до радіо.
- Фізичні перешкоди, інші бездротові пристрої або електромагнітні пристрої можуть вплинути на якість з'єднання.
- Ефективність блютуз-з'єднання може варіюватися в залежності від підключених блютуз-пристроїв. Перш ніж підключитися до радіо, перевірте функції блютузу Вашого пристрою. Не всі функції можуть підтримуватися на деяких підключених блютуз-пристроях.

ВІДТВОРЕННЯ АУДІОФАЙЛІВ У РЕЖИМІ БЛЮТУЗУ

Якщо Ви успішно підключили радіо до обраного блютуз-пристрою, Ви можете почати відтворювати музику за допомогою елементів керування на підключеному блютуз-пристрої.

- Після початку відтворення налаштувати гучність до потрібного рівня можна за допомогою

регулятора гучності на радіо або на активному блютуз-пристрої.

- Використовуйте кнопки управління на Вашому блютуз-пристрої, щоб вибирати пісні і запускати відтворення/паузу. Також можна управляти відтворенням за допомогою кнопок «Відтворення/Пауза», «Наступний трек», «Попередній трек» на радіоприймачі.
- Натисніть та утримуйте Кнопку швидкого перемотування вперед або назад для пересування по треку. Відпустіть кнопку, коли досягнете потрібного місця.

ПРИМІТКА:

- Деякі додатки або пристрої можуть не реагувати на усі ці елементи управління.
- Деякі мобільні телефони можуть тимчасово відключитися від радіо, коли Ви робите або отримуєте дзвінки. Деякі пристрої можуть тимчасово вимкнуті потокове передавання блютуз-звуку, коли вони отримують текстові повідомлення, електронні листи або з інших причин, не пов'язаних зі звуком. Така поведінка є функцією підключеного пристрою та не вказує на несправність радіо.

ВІДТВОРЕННЯ З ПОПЕРЕДНЬОГО БЛЮТУЗ-ПРИСТРОЮ

Якщо Ваш блютуз-пристрій вже було з'єднано із радіоприймачем, він запам'ятає Ваш блютуз-пристрій та намагатиметься відновити з'єднання із тим пристроєм, який було підключено востаннє. Якщо останній пристрій недоступний, радіо стане видимим і доступним для з'єднання.

Від'єднання блютуз-пристрою

Натисніть та утримуйте кнопку спарювання блютузу протягом 2-3 секунд, поки "Спарювання BT" не з'явиться на дисплеї, або вимкніть блютуз-пристрій, щоб деактивувати з'єднання.

Можна також натиснути кнопку Діапазон для вибору будь-якого іншого режиму, ніж режим блютузу, аби деактивувати з'єднання.

Видалення з пам'яті спарованих блютуз-пристроїв

Щоб видалити з пам'яті усі спаровані блютуз-пристрої, натисніть і утримуйте кнопку спарювання блютузу довше, ніж 7 секунд, поки на дисплеї не з'явиться повідомлення "Видалення".

ГНІЗДО АУКСІАЛЬНОГО ВХОДУ

На передній панелі радіоприймача передбачений

додатковий вхідний роз'єм 3,5 мм для подачі аудіосигналу в пристрій із зовнішнього аудіопристрою, такого як MP3 або CD-плеер.

1. Підключіть зовнішнє аудіоджерело (наприклад, MP3 або CD-плеер) до гнізда AUX.
2. Натисніть кнопку "Живлення", щоб увімкнути радіоприймач.
3. Повторно натисніть та відпустіть кнопку Діапазон, поки не з'явиться повідомлення "АУКСІАЛЬНИЙ ВХІД".
4. Щоб мати кращу якість звуку, радимо обирати налаштування гучності на рівень більше двох третин на Вашому аудіопристрою, а потім регулювати рівень гучності на радіо за Вашим бажанням.

ПРИМІТКА:

Аудіошнур не входить до стандартної комплектації.

ТЕХНІЧНЕ ОБСЛУГОВУВАННЯ

⚠ ЗАСЕРЕЖЕННЯ:

- Ніколи не використовуйте газолін, бензин, розріджувач, спирт та подібні речовини. Їх використання може призвести до зміни кольору, деформації та появи тріщин.
- Не мийте радіоприймач водою.

СПЕЦИФІКАЦІЇ

Вимоги до джерела живлення	
Адаптер змінного струму	DC 12В 2,5А, позитивний центральний штифт
Акумулятор	Акумуляторний картридж: 10,8В - 18В
Діапазон частот	FM87,50-108МГц (0,05МГц/крок) DAB/DAB+ 174.928-239.200 МГц
DAB/DAB+ Блок каналів	DAB (Banda III) 5А-13F
Зумісний стандарт	DAB/DAB+

Bluetooth®	
(Логотипи та словесна торговельна марка Bluetooth® є зареєстрованими торговельними марками компанії Bluetooth SIG, Inc.)	
Версія Bluetooth	Сертифікована 5,0
Профілі Bluetooth	A2DP/SCMS-T/AVRCP
Потужність передачі	Клас міцності 2
Радіус передачі	Опт.відстань: Макс.10 м (33 фути) Можливо: Макс. 30 м (100 футів) (залежить від умов використання)
Кодак блютузу	SBC, AAC
Максимальна міцність частоти	BT EDR: 1.91dBm BT LE: 0.21dBm
Робоча частота	2402MHz~2480MHz

Характеристики системи	
Динамік	2,5 дюйми 8 ом x 2 4 дюйми 6 ом x 1
Міцність на виході	10,8В-12В макс: 2Вт x 2 + 10Вт 14,4В: 3Вт x 2 + 15Вт 18В: 5Вт x 2 + 25Вт
Вхідний термінал	діаметр 3,5 мм (ауксіальний вхід)
Система антени	DAB/FM: вбудована антена
Розміри (Довж. x Шир x Вис)	268 x 164 x 295 мм
Вага	4,8 кг (без акумулятору)

ROMÂNĂ

(Instrucțiuni originale)

EXPLICAȚII ALE VEDERII GENERALE (Fig. 1)

1. Mâner/antena încorporată (DAB/FM)
2. Element de blocare al compartimentul bateriei
3. Capacul compartimentului bateriei (care acoperă cartușul acumulatorului)
4. Difuzor
5. Mufă de intrare curent continuu (DC)
6. Subwoofer
7. Buton de pornire
8. Buton pentru bandă
9. Buton pentru setări avansate
10. Buton Info
11. Lumină LED
12. Buton presetat 3/Redare/Pauză
13. Buton presetat 5
14. Buton presetat 4/Următorul titlu/Derulare înainte
15. Buton pentru controlul volumului/acordare/selectare
16. Buton de comandă EQ
17. Intrare auxiliară (AUX IN)
18. Port USB de alimentare
19. Buton pentru acordare automată
20. Indicator LED pentru modul EQ
21. Buton presetat 2/Titlu anterior/Derulare înapoi
22. Buton presetat 1/Asociere Bluetooth
23. Ecran LCD
24. Compartiment pentru baterie
25. Port micro-USB pentru upgrade de software

SIMBOLURI

Mai jos sunt prezentate simbolurile de pe echipament. Asigurați-vă că înțelegeți semnificația lor înainte de utilizare.



Citiți manualul de utilizare.



Doar pentru țările din cadrul UE. Din cauza prezenței componentelor periculoase în echipament, deșeurile de echipamente electrice și electronice, acumulatorii și bateriile pot avea un efect negativ asupra mediului și sănătății umane.

Nu eliminați aparatele electrice și electronice sau bateriile împreună cu gunoii menajeri!

În conformitate cu Directiva europeană privind deșeurile de echipamente electrice și electronice, acumulatorii,

bateriile și deșeurile de acumulatori și baterii, precum și cu adaptarea sa în legislația națională, deșeurile de echipamente electrice, de baterii și de acumulatori trebuie depozitate separat și eliminate la un centru de colectare separat pentru deșeurile municipale, care respectă reglementările privind protecția mediului.

Acest lucru este indicat prin simbolul care reprezintă o pubelă cu roți barată cu o cruce, aplicat pe echipament.

INSTRUCȚIUNI DE SIGURANȚĂ IMPORTANTE

⚠️ ATENȚIE:

Când utilizați scule electrice, trebuie luate întotdeauna măsuri de siguranță elementare pentru a reduce riscul de incendiu, șoc electric, vătămare corporală, incluzând următoarele:

1. Citiți acest manual de utilizare și manualul de utilizare al încărcătorului cu atenție înainte de folosire.
2. Curățați numai cu o cârpă uscată.
3. Nu instalați lângă surse de căldură, cum ar fi radiatoare, aeroterme, sobe sau alte aparate (inclusiv amplificatoare) care produc căldură.
4. Folosiți doar dispozitive atașate/accesorii recomandate de producător.
5. Deconectați acest aparat în timpul furtunilor cu fulgere sau când nu este utilizat pentru perioade lungi de timp.
6. Un radio pe acumuloare, prevăzut cu acumuloare integrate sau cu cartuș de acumulator separat, poate fi încărcat doar cu încărcătorul specificat pentru acumulatorul respectiv. Un încărcător potrivit pentru un tip acumulator poate provoca risc de incendii dacă este folosit pentru un alt tip de acumulator.
7. Folosiți radioul pe acumuloare numai cu cartușele de acumuloare indicate în mod specific. Utilizarea oricăror alți acumuloare poate crea un risc de incendiu.
8. Atunci când acumulatorul nu este utilizat, păstrați-l departe de alte obiecte metalice, cum ar fi: agrafe de birou, monede, chei, cuie, șuruburi sau alte obiecte metalice mici, care pot face o conexiune între bornele lui. Scurtcircuitarea bornelor acumulatorului poate provoca scântei, arsuri sau incendiu.
9. Evitați contactul corpului cu suprafețe împănate ca țevi, radiatoare, cuptoare și frigider. Există un risc crescut de electrocutare în cazul în care corpul dvs. devine parte a sistemului de împănare.
10. În condiții abuzive, lichidul poate fi evacuat din acumulator; evitați contactul. Dacă se produce contactul în mod accidental, clătiți cu apă.

Dacă lichidul intră în contact cu ochii, cereți, de asemenea, sfatul medicului. Lichidul evacuat din acumulator poate cauza iritații sau arsuri.

11. Nu utilizați un acumulator sau un instrument deteriorat sau modificat. Bateriile deteriorate sau modificate pot prezenta comportament imprevizibil care poate duce la incendii, explozie sau risc de rănire.
12. Nu expuneți un acumulator sau dispozitiv la foc sau la temperaturi excesive. Expunerea la foc sau la temperaturi de peste 130°C(266°F) poate provoca explozie.
13. Urmați toate instrucțiunile de încărcare și nu încărcați acumulatorul sau dispozitivul în afara domeniului de temperatură specificat în instrucțiuni. Încărcarea necorespunzătoare sau la temperaturi în afara domeniului specificat poate conduce la deteriorarea bateriei și la creșterea riscului de incendiu.
14. Conectorul la rețea este utilizat ca dispozitiv de deconectare și trebuie să rămână ușor operabil.
15. Nu utilizați produsul la un volum mare pentru o perioadă lungă de timp. Pentru a evita deteriorarea auzului, utilizați produsul la un nivel de volum moderat.
16. (Doar pentru produsele cu afișaj LCD) Ecranele LCD includ lichide care pot provoca iritații și otrăviri. Dacă lichidul intră în ochi, gură sau piele, clătiți cu apă și sunați medicul.
17. Nu expuneți produsul la ploaie sau umezeală. Apa care intră în produs va crește riscul de electrocutare.
18. Acest produs nu este destinat utilizării de către persoane (inclusiv copii) cu capacități fizice, senzoriale sau mentale reduse sau lipsite de experiență și cunoștințe, cu excepția cazului în care au fost supravegheate sau instruite cu privire la utilizarea produsului de către o persoană responsabilă pentru siguranța lor. Copiii trebuie supravegheați pentru vă asigura că nu se joacă cu produsul. Nu depozitați produsul la îndemâna copiilor.

SALVAȚI ACESTE INSTRUCȚIUNI

REGULI DE SIGURANȚĂ SPECIFICE

PENTRU ACUMULATORUL CARTUȘ

1. Înainte de a utiliza acumulatorul cartuș, citiți toate instrucțiunile și atenționările de pe (1) încărcător, (2) acumulator și (3) produsul ce folosește acumulatorul.
2. Nu dezasamblați acumulatorul cartuș.
3. În cazul în care timpul de operare a devenit excesiv de scurt, opriți imedia folosirea. Aceasta poate conduce la risc de supraîncălzire, posibile arsuri și chiar explozie.
4. Dacă electrolitul intră în contact cu ochii, clătiți cu apă curată și consultați imediat medicul. Aceasta poate duce la pierderea vederii.
5. Nu scurtcircuitați acumulatorul cartuș:

- (1) Nu atingeți bornele cu niciun material conductor.
- (2) Evitați depozitarea acumulatorului cartuș într-un recipient cu alte obiecte metalice cum ar fi cuie, monede etc.
- (3) Nu expuneți acumulatorul cartuș la apă sau ploaie. Un scurtcircuit al lui poate provoca o scurgere de curent, supraîncălzire, posibile arsuri și chiar defectarea.

6. Nu depozitați dispozitivul și acumulatorul cartuș în locuri în care temperatura poate atinge sau depăși 50°C (122°F)
7. Nu incinerati acumulatorul cartuș chiar dacă acesta este grav deteriorat sau complet uzat. Acumulatorul cartuș poate exploda în foc.
8. Aveți grijă să nu scăpați pe jos sau să loviți acumulatorul cartuș.
9. Nu utilizați un acumulator deteriorat.
10. Pentru a evita riscul, manualul despre înlocuirea bateriei trebuie citit înainte de utilizare. Curentul maxim de descărcare al bateriei trebuie să fie mai mare sau egal cu 8A.
11. Bateriile litiu-ion conținute sunt supuse cerințelor legislației privind mărfurile periculoase. Pentru transporturile comerciale, de ex. de către terți, agenți de expediere, trebuie respectate cerințele speciale privind ambalarea și etichetarea. Pentru pregătirea articolului expedit, este necesară consultarea unui expert pentru materiale periculoase. Respectați, de asemenea, reglementările naționale mai detaliate. Lipiți bandă adezivă sau izolați contactele și împachetați bateria astfel încât să nu se poată mișca în ambalaj.
12. Când eliminați cartușul bateriei, scoateți-l din dispozitiv și aruncați-l într-un loc sigur. Respectați reglementările locale privind eliminarea bateriilor.
13. Folosiți bateriile numai cu produsele specificate de Makita. Instalarea bateriilor la produse neconforme poate duce la incendii, căldură excesivă, explozie sau scurgeri de electroliți. Dacă dispozitivul nu este folosit pentru o perioadă lungă de timp, bateria trebuie scoasă din dispozitiv.

⚠️ ATENȚIE:

- Pericol de explozie dacă bateria este înlocuită incorect.
- Înlocuiți numai cu același tip sau echivalent.
- Utilizați numai baterii originale Makita. Utilizarea bateriilor Makita neoriginale sau a bateriilor care au fost modificate poate duce la spargerea bateriilor, provocând incendii, vătămări corporale și pagube. De asemenea, va anula garanția Makita pentru dispozitivul și încărcătorul Makita.

Sfaturi pentru a menține viața acumulatorului la maxim

1. Încărcați acumulatorul cartuș înainte de a fi descărcat

- complet. Opriiți întotdeauna funcționarea dispozitivului și încărcați acumulatorul cartuș când observați o scădere a energiei uneltei.
2. Niciodată nu reîncărcați un acumulator cartuș complet încărcat. Supraîncărcarea scurtează durata de viață a acumulatorului.

3. Încărcați acumulatorul cartuș la temperatura camerei la 10°C - 40°C (50°F - 104°F). Lăsați o acumulatorul cartuș prea cald se răcească înainte de încărcarea lui.
4. Încărcați acumulatorul cartuș dacă nu îl utilizați pentru o perioadă lungă de timp (mai mult de șase luni).

TIMPI DE FUNCȚIONARE

Bateriile potrivite pentru acest radio sunt prezentate în tabelul următor.

Următorul tabel indică timpul de funcționare pentru o singură încărcare.

Capacitate acumulator	Tensiune cartuș de acumulator			LA IEȘIREA DIFUZORULUI = 100mW (unitatea: oră) (aproximativ)	
	10.8V –12Vmax	14.4V	18V	La radio sau AUX	La Bluetooth + Încărcare USB
1.3 Ah		BL1415		3.5	0.7
			BL1815	4.0	1.0
1.5 Ah	BL1015 BL1016			5.5	0.8
		BL1415N BL1415NA		4.5	0.9
			BL1815N	5.0	1.2
2.0 Ah	BL1020B BL1021B			7.0	1.0
			BL1820 BL1820B	6.5	1.6
3.0 Ah		BL1430 BL1430B BL1430A		8.0	1.6
			BL1830 BL1830B	9.0	2.3
4.0 Ah	BL1040B BL1041B			14	2.1
		BL1440		12	2.5
			BL1840 BL1840B	13	3.2
5.0Ah		BL1450		15	3.0
			BL1850 BL1850B	16	4.2
6.0 Ah		BL1460B BL1460A		16	3.3
			BL1860B	20	5.0

⚠ ATENȚIE:

Folosiți doar acumulatori prezentați mai sus. Folosirea altor acumulatori poate cauza vătămări și/sau incendiu.

Notă:

- Tabelul privind timpul de funcționare a bateriei este orientativ.
- Timpul de funcționare actual poate diferi în funcție de tipul bateriei, condițiile de încărcare sau mediul de folosire.
- Unele baterii și încărcătoare pentru baterii enumerate mai sus pot să nu fie disponibile în regiunea în care locuiți.

INSTALAREA ȘI ALIMENTAREA CU ENERGIE (FIG.2)

⚠️ ATENȚIE:

- Aveți grijă să nu vă prindeți degetele când deschideți și închideți capacul bateriei.
- Întoarceți compartimentul bateriei în poziția inițială, după instalarea sau scoaterea cartușului acumulatorului. În caz contrar, cartușul acumulatorului poate cădea accidental afară din radio, cauzând vătămarea dvs. sau a persoanei de lângă dvs.
- Întotdeauna închideți și blocați compartimentul bateriei înainte de a muta radioul.
- Opriți întotdeauna radioul înainte de a instala sau scoate cartușul bateriei.
- Aveți grijă să nu scăpați sau să loviți radioul. Carcasa ruptă vă poate tăia degetul sau vă poate răni corpul. Radioul deteriorat poate prezenta comportament imprezvizibil care poate duce la incendiu, explozie sau risc de rănire.

IMPORTANT:

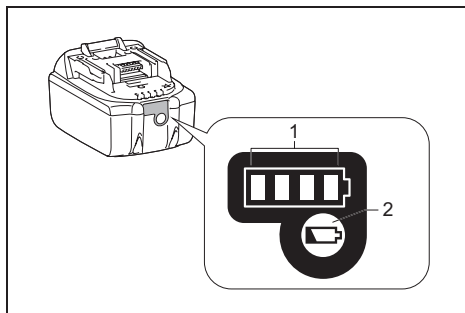
- Puterea redusă, distorsiunile, "sunetele sacadate" sau când " ! Baterie scăzută" apare pe ecran, sunt toate semne că bateria principală trebuie înlocuită.
- Cartușul acumulatorului nu poate fi încărcat prin adaptorul de curent alternativ furnizat.
- Cartușul acumulatorului nu este inclus ca accesoriu standard.

Instalarea sau demontarea cartușului de acumulator cu introducerea prin glisare (Fig. 3 & 4)

- Pentru a instala cartușul de acumulator, aliniați limba de pe cartușul de acumulator cu canelura din carcasă și introduceți-l în locaș. Introduceți-l întotdeauna complet, până când se fixează la poziție cu un clic.
- Dacă puteți vedea indicatorul roșu din partea superioară a butonului, acesta nu este blocat complet. Introduceți-l complet, până când indicatorul roșu nu mai este vizibil. În caz contrar, acesta poate cădea accidental din radio, provocând rănirea dumneavoastră sau a persoanelor din jur.
- Nu forțați introducerea cartușului de acumulator. Dacă acesta nu glisează ușor, înseamnă că a fost introdus incorect.
- Pentru a scoate cartușul acumulatorului, glisați-l din radio în timp ce glisați butonul din partea frontală a cartușului.

Indicarea capacității rămase a acumulatorului

* Doar pentru cartușe de acumulator cu "B" la sfârșitul numărului de model.










➤ 1. Lumini indicatoare 2. Buton de verificare

Apăsăți butonul de verificare de pe cartușul de acumulator pentru indicarea capacității rămase a acumulatorului. Lămpile indicatoare vor lumina timp de câteva secunde.

• Baterii 14,4V/18V

Indicator sau lumini			Capacitate rămasă
Pornit	Oprit	Intermitent	
■ ■ ■ ■			75% ~ 100%
■ ■ ■ □			50% ~ 75%
■ ■ □ □			25% ~ 50%
■ □ □ □			0% ~ 25%
▬ □ □ □			Încarcă acumulatorul
■ ■ □ □ □ □ ■ ■			Acumulatorul funcționează incorect

● Baterii 10,8V – 12V max

Indicator sau lumini			Capacitate rămasă
 Pornit	 Oprit	 Intermitent	
			75% ~ 100%
			50% ~ 75%
			25% ~ 50%
			0% ~ 25%

NOTĂ:

În funcție de condițiile de utilizare și temperatura mediului ambiant, indicatorul poate diferi ușor de capacitatea reală.

Utilizarea adaptorului de curent alternativ furnizat

Îndepărtați protecția de cauciuc și introduceți adaptorul în mufa DC (curent continuu) de pe partea dreaptă a radioului. Conectați adaptorul la o priză standard. Ori de câte ori se utilizează adaptorul, acumulatorul este deconectat automat.

⚠️ ATENȚIE:

- Înainte de a muta radioul, **deconectați întotdeauna complet adaptorul de curent alternativ. Dacă adaptorul de curent alternativ nu este îndepărtat, poate provoca un șoc electric.**
- Nu trageți niciodată cablul adaptorului. În caz contrar, radioul poate cădea accidental, cauzând vătămarea dvs. sau a cuiva de lângă dvs.

IMPORTANT:

- Adaptorul de rețea este utilizat ca mijloc de conectare a radioului la rețeaua de alimentare. Priza de alimentare utilizată pentru radio trebuie să rămână accesibilă în timpul utilizării normale.
- Pentru a deconecta radioul, adaptorul de rețea trebuie să fie complet scos din priză.
- Utilizați doar adaptorul de curent alternativ furnizat cu produsul sau specificat de Makita.
- Nu țineți cablul de alimentare sau ștecherul în gură. Acest lucru poate provoca un șoc electric.
- Nu atingeți mufa de alimentare cu mâinile umede sau grase.
- Cablurile deteriorate sau încurcate cresc riscul de electrocutare. Dacă cablul este deteriorat, înlocuiți-l la centrul de service autorizat pentru a evita pericolul. Nu îl folosiți înainte de reparații.
- După utilizare, depozitați întotdeauna adaptorul de curent alternativ departe de copii. Dacă copiii se joacă cu cablul, pot suferi vătămări.

Încărcarea de la portul USB de alimentare electrică

Portul USB se află pe partea frontală a radioului. Puteți încărca dispozitivul USB prin portul USB.

1. Conectați dispozitivul USB, precum MP3, sau CD player, cu un cablu USB disponibil pe piață.
2. Apăsăți butonul de pornire pentru a porni radioul.
3. Indiferent dacă radioul este alimentat de la rețeaua de curent alternativ sau de la baterie, radioul poate încărca dispozitivul USB atunci când este pornit și în modul radio DAB/FM, în modul BT sau în modul AUX, care apare atunci când o sursă audio externă este conectată.

Notă:

- Volumul maxim al difuzorului de ieșire va scădea la încărcarea prin USB.
- Mufa USB poate asigura un curent electric de max. 5 V, 2.4A.

Important:

- Înainte de conectarea dispozitivului USB la portul USB, realizați întotdeauna o copie de siguranță a datelor dumneavoastră de pe dispozitivul USB. În caz contrar, datele se pot pierde fără posibilitate de recuperare.
- Este posibil ca radioul să nu alimenteze cu energie electrică unele dispozitive USB.
- Când nu utilizați dispozitivul sau după încărcare, scoateți cablul USB și închideți capacul.
- Nu conectați sursa de alimentare la portul USB. În caz contrar, există pericol de incendiu. Portul USB este destinat strict încărcării dispozitivelor de joasă tensiune. Amplasați întotdeauna capacul pe portul USB atunci când nu încărcați dispozitivul de joasă tensiune.
- Nu introduceți cuie, cabluri etc. în portul USB de alimentare electrică. În caz contrar, un scurtcircuit poate cauza fum și incendii.
- Nu conectați această mufă USB în portul USB al PC-ului dumneavoastră, deoarece este foarte posibil să producă defectarea aparatului.

ASCULTAREA LA RADIO

Acest radio este prevăzut cu trei metode de acord - acord prin scanare, acord Manual și accesarea presetărilor din memorie.

Selectarea unei stații – DAB

Notă:

Antena DAB este încorporată în mâner. Când utilizați radioul, vă rugăm să ridicați mânerul deasupra radioului pentru a obține o recepție mai bună.

1. Apăsăți butonul de pornire pentru a porni radioul.
2. Selectați modul DAB apăsând Butonul pentru bandă.

3. Apăsați Butonul de acordare pentru a intra în lista posturilor. De asemenea, puteți apăsa Butonul pentru setări avansate și apoi roti Butonul de acordare pentru a selecta "Listă stații". Apăsați butonul de acordare pentru a intra în lista posturilor.
4. Rotiți Butonul de acordare pentru a derula lista posturilor disponibile. Apăsați Butonul de acordare pentru a selecta stația.
5. Reglați volumul dorit rotind Butonul pentru controlul volumului.

Moduri de afișare – DAB

Radioul dvs. are o serie de opțiuni de afișare în modul DAB.

Apăsați butonul Info pentru a naviga prin diferite opțiuni.

- | | |
|---------------------------------|---|
| a. Segment de etichete dinamice | Servicii suplimentare de date în formă text (până la 128 caractere) care rulează alături de programul radio DAB sau DAB+. Afișează mesaje text derulante, cum ar fi numele artistului/melodiei, numărul de telefon etc. |
| b. Tipul programului | Afișează tipul postului ascultat, cum ar fi Pop, Clasic, Știri etc. |
| c. Numele multiplexului | Afișează numele multiplexului DAB căruia îi aparține postul curent. |
| d. Frecvența și canalul | Afișează frecvența și numărul canalului pentru postul DAB selectat. |
| e. Eroare de semnal/intensitate | Afișează eroarea de semnal și intensitatea semnalului pentru stația care este ascultată. Un număr mai mic pentru eroare indică o calitate mai bună a semnalului radio. |
| f. Rata de biți/Tip audio | Afișează rata de biți și tipul audio pentru postul DAB selectat. |
| g. Data | Afișează data curentă. |

Dacă o transmisie DAB oferă o imagine de prezentare, aceasta poate fi vizualizată pe ecran complet prin apăsarea și țineți apăsat Butonului de acordare. Dacă transmisia recepționată este stereo, atunci simbolul difuzorului stereo va fi afișat în partea de jos a ecranului.

Găsirea de noi posturi – DAB

Din când în când, pot fi disponibile noi posturi de radio DAB. Sau poate v-ați mutat într-o altă parte a țării. În acest caz, poate fi necesar să activați radioul pentru a căuta posturi noi.

Pentru a permite radioului să găsească posturile disponibile, este recomandat să efectuați o scanare completă a tuturor frecvențelor DAB Banda III.

1. Apăsați Butonul de pornire pentru a porni radioul.
2. Apăsați Butonul pentru bandă pentru a selecta modul

radio DAB.

3. Apăsați Butonul pentru acordare automată pentru a iniția scanarea. Ecranul va afișa opțiunea "Scanare", iar radioul dvs. va efectua o scanare a frecvențelor DAB Banda III. Pe măsură ce sunt găsite stații noi, contorul stațiilor va crește și posturile vor fi adăugate în listă. Bara grafică indică progresul scanării.

Acordare manuală – DAB

Acordarea manuală vă permite să accesați radioul dvs. pe o anumită frecvență DAB în Banda III. Această funcție poate fi de asemenea utilizată pentru a asista poziționarea antenei sau a radioului astfel încât să se optimizeze recepția pentru un anumit canal sau frecvență.

1. În modul DAB, apăsați Butonul pentru setare avansată pentru a intra în setarea meniului.
2. Rotiți Butonul de acordare pentru a selecta "Manual Tune" (Acordare manuală). Apăsați Butonul de acordare pentru a intra în modul pentru acordare manuală.
3. Rotiți Butonul de acordare pentru a selecta canalul DAB dorit. Apăsați Butonul de acordare pentru a confirma frecvența aleasă.

Controlul domeniului dinamic (DRC) – DAB

Funcția DRC poate face ca sunetele mai silențioase să fie mai ușor de auzit când radioul dvs. este utilizat într-un mediu zgomotos prin reducerea domeniului dinamic al semnalului audio. Există trei nivele de compresie:

- | | |
|-----|----------------------------|
| 1 | Compresie maximă aplicată. |
| 1/2 | Compresie medie aplicată. |
| 0 | Nicio compresie aplicată. |

1. Când sunteți în modul DAB, apăsați Butonul pentru setare avansată pentru a intra în setarea meniului.
2. Rotiți Butonul de acordare pentru a selecta "DRC". Apoi apăsați Butonul de acordare pentru a intra în setare. Ecranul va afișa valoarea curentă a DRC.
3. Rotiți Butonul de acordare pentru a selecta setarea DRC dorită.
4. Apăsați Butonul de acordare pentru a confirma setarea.

Setare pentru ordinea stațiilor – DAB

Radioul dvs. are 3 setări pentru ordinea stațiilor, din care puteți alege. Setările pentru ordonarea stațiilor sunt alfanumeric, ansamblu și stație validă.

1. Când sunteți în modul DAB, apăsați Butonul pentru setare avansată pentru a intra în setarea meniului.
2. Rotiți Butonul de acordare pentru a selecta "Ordine stații", apoi apăsați Butonul de acordare pentru a intra în setare.

3. Rotiți Butonul de acordare pentru a selecta următoarele opțiuni și apăsați Butonul de acordare pentru a confirma setarea.

Alfanumeric	Sortează lista de posturi în mod alfanumeric 0 ... 9 A ... Z.
Ansamblu	Organizează lista de posturi pe baza multiplexului DAB.
Valid	Afișează numai acele posturi pentru care se poate găsi un semnal.

Acordare prin scanare – FM

Notă: Antena FM este încorporată în mâner. Când utilizați radioul, vă rugăm să ridicați mânerul deasupra radioului pentru a obține o recepție mai bună.

1. Apăsați Butonul de pornire pentru a porni radioul.
2. Apăsați Butonul pentru bandă pentru a selecta modul radio FM.
3. Apăsați Butonul pentru acordare automată și radioul va căuta și se va opri automat când găsește o stație radio.
4. După câteva secunde, afișajul se va actualiza. Ecranul va afișa frecvența semnalului găsit. Dacă semnalul este suficient de puternic și există date RDS, radioul va afișa numele postului.
5. Pentru a găsi altă stație, apăsați Butonul pentru acordare automată ca mai înainte.
6. Când va ajunge la sfârșitul benzii de frecvențe, radioul va reîncepe căutarea de la capătul opus al benzii de frecvențe.
7. Rotiți Butonul de volum pentru a regla nivelul de sunet așa cum doriți.

Notă:

Volumul nu trebuie să fie prea ridicat. Pentru a preveni posibilele deteriorări ale auzului, nu ascultați la un nivel ridicat al volumului pentru perioade lungi de timp.

8. Pentru a opri radioul, apăsați Butonul de pornire.

Acordare manuală – FM

1. Apăsați Butonul de pornire pentru a porni radioul.
2. Apăsați Butonul pentru bandă pentru a selecta modul radio FM.
3. Apăsați Butonul de acordare pentru a comuta la modul de control al acordării
4. Rotiți Butonul de acordare pentru a găsi stația dorită.
5. Pentru a ajusta volumul, apăsați din nou Butonul de acordare pentru a comuta la modul de control al volumului.
6. Rotiți Butonul de volum pentru a regla nivelul de sunet, așa cum doriți.

Moduri de afișare – FM (RDS)

Radioul dvs. are o serie de opțiuni de afișare pentru modul radio FM.

Indicatorul RDS din partea de jos a ecranului arată că există date RDS prezente în transmisia recepționată. Afișarea difuzorului stereo arată că radioul recepționează o transmisie stereo.

Apăsați în mod repetat Butonul Info pentru a vizualiza informațiile RDS (Radio Data System) ale postului pe care îl ascultați.

- | | |
|----------------|---|
| a. Text radio | Afișează mesajul de tip text radio, cum ar fi articole noi etc. |
| b. Tip program | Afișează tipul postului ascultat, cum ar fi Pop, Clasic, Știri etc. |
| c. Frecvență | Afișează frecvența semnalului FM. (Dacă nu sunt disponibile informații RDS, pe ecran va fi afișat "No Name".) |
| d. Mod audio | Afișează modul audio curent. |
| e. Dată | Afișează data curentă. |

Zona de scanare FM

Când utilizați modul FM, radioul dvs. poate fi setat fie pentru a scana posturile locale, fie pentru a scana toate posturile, inclusiv posturile de radio îndepărtate.

1. În modul FM, apăsați Butonul pentru setare avansată pentru a intra în setarea meniului.
2. Rotiți Butonul pentru acordare pentru a selecta "Scan zone" ("Zona de scanare"). Apăsați-l pentru a intra în setare. Setarea audio curentă este indicată cu o bifă.
3. Rotiți Butonul pentru acordare pentru a selecta "Local" (numai stații puternice) sau "Distant" (Toate stațiile). Opțiunea la distanță va permite radioului să găsească semnale mai slabe la scanare.
4. Apăsați Butonul pentru acordare pentru a confirma setarea. Setarea locală sau la distanță este stocată în radio și rămâne în vigoare până la schimbare sau până la resetarea sistemului.

Setarea Stereo/Mono – FM


Dacă postul de radio FM ascultat are un semnal slab, pot fi auzite unele șuierături sau fâșâituri. Este posibilă reducerea acestor șuierături prin forțarea radioului să redea postul mono, și nu stereo.

1. Asigurați-vă că radioul dvs. este în modul FM și că sunteți pe frecvența postului FM dorit.
2. Apăsați Butonul pentru setare avansată pentru a intra în setarea meniului
3. Rotiți Butonul pentru acordare pentru a selecta "Setarea audio". Apăsați-l pentru a intra în setare. Setarea audio curentă este indicată cu o bifă.
4. Rotiți Butonul pentru acordare pentru a selecta

“Forced Mono” (“Mono Forțat”) sau “Stereo Allowed” (“Permis Stereo”). Apăsați-l pentru a confirma setarea.

Presetarea posturilor în modurile DAB și FM

Există 5 posturi presetate pentru fiecare radio DAB și FM. Ele sunt utilizate în același mod pentru fiecare bandă de frecvență.

1. Apăsați Butonul de pornire pentru a porni radioul.
2. Apăsați Butonul pentru bandă pentru a selecta banda de frecvențe dorită. Acordați postul de radio dorit, așa cum a fost descris anterior.
3. Apăsați și mențineți apăsat Butonul Presetat necesar până când pe ecran apare mesajul “Preset 1 saved” (“Presetat 1 salvat”) (de exemplu, ) va fi afișat în partea de jos a ecranului. Stația este apoi alocată butonului presetat selectat. Repetați această procedură pentru restul presetărilor după cum doriți.
4. Stațiile presetate care au fost deja stocate pot fi suprascrise urmând procedura de mai sus, dacă este necesar.

Apelarea unei presetări în modurile DAB și FM

1. Apăsați Butonul de pornire pentru a porni radioul.
2. Apăsați Butonul pentru bandă pentru a selecta modul radio DAB sau FM.
3. Apăsați scurt Butonul Presetat necesar pentru a acorda radioul dvs. la unul din posturile memorate în memoria presetată.

SETĂRI DIVERSE

Actualizarea automată a ceasului

Puteți specifica faptul ca radioul să își seteze ceasul de la emisiunile radio DAB sau FM. După o întrerupere a alimentării, radioul va seta ceasul data următoare când porniți radioul în modul DAB sau FM.

1. Cu radioul pornit, apăsați Butonul pentru setare avansată pentru a accesa meniul pentru modul curent.
2. Rotiți Butonul pentru acordare pentru a selecta “Time/Date” (“Ceas/Data”). Apăsați-l pentru a intra în setare.
3. Rotiți Butonul pentru acordare pentru a selecta “Auto Update” (“Actualizare automată”). Apăsați-l pentru a intra în setare.
4. Rotiți Butonul pentru acordare pentru a alege o opțiune de actualizare dintre “from Any” (“de la oricare”), “from DAB” (“de la DAB”) sau “from FM” (“de la FM”), după cum doriți. Apăsați-l pentru a confirma alegerea dvs. Setarea curentă va fi marcată cu o bifă.

Setarea formatului ceasului

1. Cu radioul pornit, apăsați Butonul pentru setare avansată pentru a accesa meniul pentru modul curent.
2. Rotiți Butonul pentru acordare pentru a selecta “Time/Date” (“Ceas/Data”). Apăsați-l pentru a intra în setare.
3. Rotiți Butonul pentru acordare pentru a selecta “Set 12/24 Hour” (“Setați 12/24 ore”). Apăsați-l pentru a intra în setarea formatului ceasului. Formatul actual de afișare a orei este marcat cu o bifă.
4. Rotiți Butonul pentru acordare pentru a selecta formatul cu 12 sau 24 de ore. Apăsați-l pentru a confirma setarea. Dacă este ales formatul de 12 ore, radioul va afișa un ceas cu 12 ore cu un indicator AM sau PM.

Setarea formatului datei

1. Cu radioul pornit, apăsați Butonul pentru setare avansată pentru a accesa meniul pentru modul curent.
2. Rotiți Butonul pentru acordare pentru a selecta “Time/Date” (“Ceas/Data”). Apăsați-l pentru a intra în setare.
3. Rotiți Butonul pentru acordare pentru a selecta “Set Date Format” (“Setați formatul datei”). Apăsați-l pentru a intra în setare.
4. Rotiți Butonul pentru acordare pentru a selecta formatul “DD-MM-YYYY” sau “MM-DD-YYYY”. Apăsați-l pentru a confirma setarea.

Sonorizare acustică

Puteți compensa în frecvență mai mică și mai ridicată radioul dvs. prin ajustarea funcției de sonorizare.

1. Cu radioul pornit, apăsați Butonul pentru setare avansată pentru a accesa meniul pentru modul curent.
2. Rotiți Butonul pentru acordare pentru a selecta “Loudness” (“Sonorizare”). Apăsați-l pentru a intra în setare.
3. Rotiți Butonul pentru acordare pentru a selecta “On” (“Pomit”) pentru a activa funcția de sonorizare. Pentru a dezactiva funcția de sonorizare, selectați “Off” (“Oprit”). Apăsați-l pentru a confirma setarea.

Opțiunile de limbă

Radioul are opt limbi disponibile: engleză, germană, italiană, franceză, olandeză, daneză, norvegiană și poloneză.

1. Cu radioul pornit, apăsați Butonul pentru setare avansată pentru a accesa meniul pentru modul curent.
2. Rotiți Butonul pentru acordare pentru a selecta “Language” (“Limbă”). Apăsați-l pentru a intra în setare.
3. Rotiți Butonul pentru acordare pentru a alege limba

dorită. Apăsați-l pentru a confirma setarea.

Resetarea la valorile din fabrică

Dacă doriți să resetați complet radioul în starea inițială, aceasta poate fi efectuată urmând această procedură.

Prin efectuarea unei resetări la valorile din fabrică, toate setările introduse de utilizator vor fi șterse.

1. Cu radioul pornit, apăsați Butonul pentru setare avansată pentru a accesa meniul pentru modul curent.
2. Rotiți Butonul pentru acordare pentru a selecta "Factory Reset" ("Resetare la valorile din fabrică"). Apăsați-l pentru a intra în setare.
3. Rotiți Butonul pentru acordare pentru a selecta "Da" sau "Nu". Dacă nu doriți să efectuați o resetare a sistemului, selectați "Nu" și apoi apăsați Butonul pentru acordare pentru a confirma setarea. Dacă ați selectat opțiunea "Da", apăsați Butonul pentru acordare. Va fi efectuată o resetare completă. Lista de posturi și presetările vor fi șterse. Toate setările vor fi aduse la valorile lor implicite.

În cazul unei defecțiuni cauzate de o descărcare electrostatică, resetați produsul (poate fi necesară reconectarea sursei de alimentare) pentru a relua funcționarea normală.

Port micro-USB pentru actualizare software

Actualizările software-ului pentru radioul dvs. pot fi disponibile pe viitor.

În timp ce actualizările software-ului devin disponibile, software-ul și informații despre cum să vă actualizați radioul pot fi găsite pe site-ul Makita.

1. Utilizați cablul micro-USB (nu este furnizat) pentru a conecta mufa USB din compartimentul pentru baterii și PC-ul.
2. Cu radioul pornit, apăsați Butonul pentru setare avansată pentru a accesa meniul pentru modul curent.
3. Rotiți Butonul pentru acordare pentru a selecta "Software Update" ("Actualizare Software"). Apăsați-l pentru a intra în setare.
4. Rotiți Butonul pentru acordare pentru a selecta "Da" sau "Nu". Dacă nu doriți să efectuați o actualizare a software-ului, selectați "Nu" și apăsați Butonul pentru acordare pentru a confirma setarea. Dacă ați selectat opțiunea "Da", apăsați Butonul pentru acordare. Pe ecran va apărea "În așteptarea asistentului PC". Accesați site-ul Web pentru a descărca cel mai recent software. Urmăriți instrucțiunile prezentate pe ecranul PC-ului, livrate împreună cu actualizare software-ului pentru a finaliza actualizarea.

Notă:

Vă rugăm să utilizați adaptorul de curent alternativ

ca sursă principală de energie atunci când actualizați software-ul. Nu opriți alimentarea radioului până când operația de actualizare nu este completă și radioul a fost repornit. În caz contrar, aparatul se poate deteriora iremediabil.

Versiune software

1. Cu radioul pornit, apăsați butonul Setare avansată pentru a accesa meniul pentru modul curent.
2. Rotiți Butonul pentru acordare pentru a selecta "Software Version" ("Versiune software"). Apăsați Butonul pentru acordare pentru a afișa versiunea software.

Funcția de egalizare

Există 7 tipuri de indicatoare LED colorate în jurul butonului de reglare pentru a indica diferite moduri EQ.

1. Apăsați butonul de pornire pentru a porni radioul.
2. Apăsați butonul EQ pentru a intra în meniul de setări EQ.
3. Rotiți butonul de reglare pentru a selecta modul dorit. Apoi apăsați-l pentru a confirma selecția.

Mod EQ	Indicator LED
FLAT	Alb
JAZZ	Albastru
ROCK	Roșu
CLASSIC	Maro
POP	Roz
NEWS	Galben
MY EQ	Verde

Setarea profilului My EQ

1. Apăsați Butonul de control EQ pentru a intra în meniul de setări EQ.
2. Rotiți Butonul de acordare pentru a selecta "MY EQ Setup" ("Setare MY EQ"). Apoi apăsați-l pentru a intra în meniul de setări.
3. Rotiți Butonul de acordare pentru a selecta setarea "Trebles" ("Înalte"). Apăsați-l pentru a intra în setare. Rotiți Butonul de acordare pentru a selecta nivelul dorit al sunetelor înalte. Apăsați-l pentru a confirma setarea.
4. Rotiți Butonul de acordare pentru a selecta setarea "Middle" ("Medii"). Apăsați-l pentru a intra în setare. Rotiți Butonul de acordare pentru a selecta nivelul dorit al sunetelor medii. Apăsați-l pentru a confirma setarea.
5. Rotiți Butonul de acordare pentru a selecta setarea "Bass". Apăsați-l pentru a intra în setare. Rotiți Butonul de acordare pentru a selecta nivelul dorit al basului. Apăsați-l pentru a confirma setarea.

Notă:

Când utilizați egalizatorul pentru a accentua basul și pentru a asculta la niveluri ridicate de volum, această acțiune poate provoca pocnituri și distorsiuni ale sunetului. În acest caz, reglați în mod corespunzător volumul radioului.

ASCULTAREA MUZICII PRIN TRANSMISIE PRIN BLUETOOTH

Trebuie să asociați dispozitivul Bluetooth cu radioul înainte de a vă putea conecta automat pentru a reda/transmite prin Bluetooth muzică prin radio. Asocierea creează o "legătură", astfel încât două dispozitive se pot recunoaște reciproc.

NOTĂ:

- Pentru a avea o calitate mai bună a sunetului, vă recomandăm să setați volumul la mai mult de două treimi de pe dispozitivul Bluetooth și apoi să reglați volumul la radio, după cum este necesar.
- Radioul poate memora până la 8 seturi de dispozitive asociate. Atunci când memoria depășește acest număr, va scrie peste cea mai veche asociere.

Asocierea dispozitivului Bluetooth pentru prima dată

1. Apăsăți Butonul de pornire pentru a porni radioul. Apăsăți Butonul pentru bandă pentru a selecta modul Bluetooth. Pe ecran va apărea "BT Pair" ("Asociere BT"), iar Butoanele Presetate (1-5) luminează intermitent alb pentru a arăta că radioul este detectabil.
2. Activați Bluetooth-ul de pe dispozitivul dvs. în conformitate cu manualul de utilizare al dispozitivului, pentru a vă conecta la radio. Accesați lista dispozitivelor Bluetooth și selectați dispozitivul numit "DMR115" (Pentru unele telefoane mobile care sunt echipate cu versiuni anterioare versiunii Bluetooth BT2.1, este posibil să fie necesar să introduceți codul "0000").
3. Odată conectat, va exista un sunet de confirmare. Butoanele Presetate (1-5) vor rămâne în alb. Puteți selecta și reda pur și simplu orice muzică de pe dispozitivul sursă. Volumul poate fi ajustat de la dispozitivul sursă sau direct de la radio.
4. Utilizați comenzile de pe dispozitivul cu funcție Bluetooth sau de pe radio pentru a reda/întrerupe și naviga printre piese.

NOTĂ:

- Dacă 2 dispozitive Bluetooth, asociate pentru prima dată, caută radioul în același timp, acesta va afișa disponibilitatea pe ambele dispozitive. Cu toate acestea, dacă un dispozitiv se conectează mai întâi

la această unitate, atunci celălalt dispozitiv Bluetooth nu îl va găsi pe listă.

- Dacă dispozitivul Bluetooth este deconectat temporar de la radio, atunci trebuie să reconectați manual dispozitivul din nou la radio.
- Dacă "DMR115" apare în lista de dispozitive Bluetooth, dar dispozitivul nu se poate conecta cu acesta, ștergeți articolul din listă și asociați din nou dispozitivul cu radioul, urmând pașii descriși anterior.
- Raza optimă de transmisie prin Bluetooth este de aproximativ 10 metri (linie dreaptă) până la radio, dar este posibilă o distanță de până la 30 de metri.
- Dacă se pierde conexiunea Bluetooth datorită depășirii timpului de separare, depășirii distanței optime, obstacolelor sau în alt mod, reconectarea dispozitivului la radio poate fi necesară.
- Obstacolele fizice, alte dispozitive fără fir sau dispozitive electromagnetice pot afecta calitatea conexiunii.
- Performanța conexiunii Bluetooth poate varia în funcție de dispozitivele Bluetooth conectate. Consultați capabilitățile Bluetooth ale dispozitivului dvs. înainte de a vă conecta la radio. Este posibil ca nu toate funcțiile să fie acceptate pe unele dispozitive Bluetooth asociate.

Redarea fișierelor audio în mod Bluetooth

Când conectați cu succes radioul la dispozitivul Bluetooth ales, puteți începe să redați muzica utilizând comenzile de pe dispozitivul Bluetooth conectat.

1. Odată ce ați început redarea, reglați volumul la nivelul dorit utilizând butonul Volum de la radio sau de la dispozitivul Bluetooth activat.
2. Utilizați comenzile de pe dispozitivul dvs. sursă Bluetooth pentru a reda/întrerupe și naviga printre piese. Alternativ, controlați redarea utilizând butoanele Redare/Pauză, Următorul titlu, Titlu anterior de pe radioul dvs.
3. Apăsăți și mențineți apăsat Butonul Derulare înainte sau Derulare înapoi pentru a vă deplasa prin piesa curentă. Eliberați butonul când ajungeți la momentul dorit.

NOTĂ:

- Este posibil ca unele aplicații sau dispozitive de redare să nu răspundă la toate aceste comenzi.
- Unele telefoane mobile se pot deconecta temporar de la radio când efectuați sau primiți apeluri. Unele dispozitive pot întrerupe temporar streaming-ul audio Bluetooth atunci când primesc mesaje text, e-mailuri sau din alte motive care nu au legătură cu streaming-ul audio. Acest comportament este o funcție a dispozitivului conectat și nu indică o defecțiune la radio.

Redarea unui dispozitiv sursă Bluetooth asociat anterior

Dacă dispozitivul Bluetooth a fost deja asociat anterior cu radioul, unitatea va memora dispozitivul Bluetooth și va încerca să se reconecteze la un dispozitiv din memorie la care a fost conectat ultima dată. Dacă ultimul dispozitiv conectat nu este disponibil, radioul va fi detectabil.

Deconectarea dispozitivului Bluetooth

Apăsați și mențineți apăsat butonul de asociere Bluetooth timp de 2-3 secunde până când pe ecran este afișat "BT Pair" ("Asociat BT") sau dezactivați Bluetooth de pe dispozitivul Bluetooth pentru a dezactiva conexiunea.

De asemenea, puteți apăsa Butonul pentru bandă pentru a selecta orice alt mod decât modul Bluetooth pentru a dezactiva conexiunea.

Ștergerea din memorie a dispozitivelor Bluetooth asociate

Pentru a șterge din memorie toate dispozitivelor asociate, apăsați și mențineți apăsat butonul de asociere Bluetooth mai mult de 7 secunde până când se afișează "Clearing" ("Ștergere") pe ecran.

INTRĂRI AUXILIARE

O mufă de intrare auxiliară de 3,5 mm este prevăzută în partea frontală a radioului pentru a permite ca un semnal audio să fie introdus în unitate de la un dispozitiv audio extern, cum ar fi un MP3 player sau CD player.

1. Conectați o sursă audio externă (de exemplu, MP3 player sau CD player) la mufa AUX IN (Intrare auxiliară).
2. Apăsați butonul de pornire pentru a porni radioul.
3. Apăsați și eliberați repetat Butonul pentru bandă până când se afișează "AUX IN".
4. Pentru a avea o calitate mai bună a sunetului, vă recomandăm să setați volumul la mai mult de două treimi la nivelul dispozitivului dvs. audio și apoi să reglați volumul de la radio, după cum este necesar.

NOTĂ:

Cablul audio nu este inclus ca accesoriu standard.

ÎNȚREȚINERE

⚠ ATENȚIE:

- Nu utilizați niciodată gazolină, benzină, diluant, alcool sau alte substanțe asemănătoare. În caz contrar, pot rezulta decolorări, deformări sau fisuri.
- Nu spălați radioul cu apă.

SPECIFICAȚII

Cerințe pentru alimentare	
Adaptor pentru alimentare	12 V c.c. 2,5 A, pin central pozitiv
Acumulator	Baterie cu introducere prin glisare: 10,8 V – 18 V
Domeniul de frecvențe	FM 87,50 - 108 MHz (0,05 MHz/pas) DAB/DAB+ 174,928 - 239,200 MHz
Bloc de canale DAB/DAB+	DAB (Band III) 5A-13F
Standard compatibil	DAB/DAB+

Bluetooth® (Denumirea Bluetooth® și sigla sunt mărci comerciale înregistrate deținute de Bluetooth SIG, Inc.)	
Versiune Bluetooth	Certificat 5.0
Profiluri Bluetooth	A2DP/SCMS-T/AVRCP
Putere de transmisie	Putere Clasa2
Distanță de transmisie	Optim: Max. 10 metri (33 picioare) Posibil: Max. 30 metri (100 picioare) (variază în funcție de condițiile de utilizare)
Codec Bluetooth	SBC, AAC
Putere maximă de radio frecvență:	BT EDR: 1.91dBm BT LE: 0.21dBm
Frecvență de operare	2402MHz~2480MHz

Caracteristici	
Difuzor	2,5 inci 8 ohmi x 2 4 inci 6 ohmi x 1
Putere de ieșire	10,8V - 12V max: 2W x 2 + 10W 14,4V: 3W x 2 + 15W 18V: 5W x 2 + 25W
Terminal de intrare	3,5 mm diametru (AUX IN)
Sistemul antenei	DAB/FM: Antenă încorporată
Dimensiuni (L x l x h)	268 x 164 x 295 mm
Masă	4,8 kg (fără baterie)

DEUTSCH (Originalbedienungsanleitung)

ÜBERSICHT DES PRODUKTS (Abb. 1)

1. Griff/Integrierte Antenne (DAB/UKW)
2. Batteriefachverriegelung
3. Batteriefachabdeckung (Abdeckung des Batterieeinsatzes)
4. Lautsprecher
5. DC-EINGANG
6. Subwoofer
7. Betriebstaste
8. Frequenzbandtaste
9. Taste für erweiterte Einstellungen
10. Info-Taste
11. LED-Anzeige
12. Speicherplatz 3/Wiedergabe/Pause
13. Speicherplatz 5
14. Speicherplatz 4/Nächster Titel/Vorspulen
15. Lautstärke/Tuning-Regler/Auswahl
16. EQ-Taste
17. AUX-EINGANG
18. USB-Netzanschluss
19. Automatische Sendersuche
20. LED-Anzeige für EQ-Modus
21. Speicherplatz 2/Vorheriger Titel/Zurückspulen
22. Speicherplatz 1/Bluetooth-Kopplung
23. LCD
24. Batteriefach
25. Micro-USB-Port für Software-Aktualisierung

SYMBOLE

Les symboles utilisés pour l'équipement sont affichés ci-dessous. Soyez sûr de tout comprendre avant toute utilisation.



Lesen Sie die Betriebsanleitung.



Nur für EU-Länder.

Aufgrund des Vorhandenseins gefährlicher Komponenten in der Ausrüstung können Elektro- und Elektronik-Altgeräte, Akkumulatoren und Batterien sich negativ auf die Umwelt und die menschliche Gesundheit auswirken. Entsorgen Sie Elektro- und Elektronikgeräte oder Batterien nicht mit dem Hausmüll! In Übereinstimmung mit der

Europäischen Richtlinie über Elektro- und Elektronik-Altgeräte, Akkumulatoren und Batterien, verbrauchte Akkumulatoren und Batterien sowie ihrer Anpassung an nationales Recht sollten Elektro-Altgeräte, Batterien und Akkumulatoren gemäß den Umweltschutzbestimmungen getrennt gelagert und zu einer getrennten Sammelstelle für Siedlungsabfälle geliefert werden. Dies wird durch das am Gerät angebrachte Symbol der durchgestrichenen Abfalltonne auf Rädern angezeigt.

WICHTIGE SICHERHEITSHINWEISE

⚠ **WARNUNG:**

Bei der Verwendung von Elektrogeräten müssen stets grundlegende Sicherheitsmaßnahmen befolgt werden, zu denen auch die im Folgenden genannten gehören, um die Gefahr von Verletzungen, Stromschlägen und Bränden zu verringern.

1. Lesen Sie vor der Verwendung des Geräts die vorliegende Betriebsanleitung sowie die Betriebsanleitung zum Ladegerät aufmerksam durch.
2. Reinigen Sie dieses Gerät lediglich mit einem trockenen Tuch.
3. Stellen Sie dieses Gerät nicht in der Nähe von Wärmequellen wie etwa Radiatoren, Heizregistern, Öfen oder anderen wärmeerzeugenden Apparaturen (einschließlich Verstärker) auf.
4. Verwenden Sie ausschließlich vom Hersteller vorgegebene Anbaugeräte bzw. Zubehörteile.
5. Ziehen Sie bei einem Gewitter, oder wenn Sie das Gerät für längere Zeit nicht verwenden, den Netzstecker dieses Geräts.
6. Ein akkubetriebenes Radio mit eingebauten Akkus oder einem herausnehmbaren Akkupack darf nur mit dem angegebenen Ladegerät geladen werden. Ein für einen bestimmten Akkutyp vorgesehenes Ladegerät kann Feuer verursachen, wenn es für andere Akkus verwendet wird.
7. Ein akkubetriebenes Radio darf nur mit den dafür speziell vorgesehenen Akkupacks verwendet werden. Bei Verwendung anderer Akku besteht Brandgefahr.
8. Wenn sich der Akkupack nicht im Werkzeug befindet, dann halten Sie ihn fern von metallenen Objekten, wie etwa: Büroklammern, Münzen,

Schlüssel, Nägel, Schrauben oder anderen kleinen Metallgegenständen, die eine Verbindung zwischen den Akkuanschlüssen herstellen können. Ein Kurzschluss der Akkukontakte kann Funken oder Verbrennungen verursachen und stellt eine Brandgefahr dar.

9. Vermeiden Sie Körperkontakt mit geerdeten Flächen wie Rohren, Radiatoren, Herdplatten und Heiz- und Kühlelementen. Wenn Ihr Körper geerdet ist, besteht bei einem elektrischen Schlag eine erhöhte Gefahr.
10. Bei unsachgemäßem Gebrauch kann Flüssigkeit aus dem Akku austreten; vermeiden Sie in diesem Fall jeglichen Kontakt mit der Flüssigkeit. Wenn Sie versehentlich mit Flüssigkeit aus dem Akku in Berührung geraten, waschen Sie die betroffene Stelle gründlich mit Wasser ab. Wenn die Flüssigkeit in die Augen geraten ist, suchen Sie anschließend umgehend einen Arzt auf. Die aus dem Akku austretende Flüssigkeit kann Hautreizungen und Verbrennungen verursachen.
11. Enden Sie Akkus oder Werkzeuge nicht, falls diese beschädigt sind. Mit beschädigten oder modifizierten Batterien können unvorhergesehene Situationen auftreten, die wiederum Explosionen oder Verletzungen verursachen könnten.
12. Schützen Sie Akkus und Instrumente vor Feuer bzw. übermäßigen Temperaturen. Temperaturen über 130 °C (266°F) können Explosionen verursachen.
13. Befolgen Sie alle Anleitungen zum Aufladen; laden Sie den Akku oder das Instrument nicht außerhalb des vorgegebenen Temperaturbereichs auf. Falls Sie den Akku unsachgemäß oder außerhalb der richtigen Temperatur aufladen, besteht erhöhte Brandgefahr.
14. Der NETZSTECKER ist die Trennvorrichtung und muss immer zugänglich sein.
15. Verwenden Sie das Produkt nicht über längere Zeiträume mit hoher Lautstärke. Wählen Sie eine moderate Lautstärkeeinstellung, um Gehörschäden zu vermeiden.
16. (Nur für Produkte mit LCD) LCD-Bildschirme enthalten Flüssigkeit, die Hautreizungen und Vergiftung verursachen kann. Falls die Flüssigkeit in Augen, Mund oder auf die Haut gelangt, spülen Sie die betroffenen Stellen mit Wasser ab und wenden Sie sich an einen Arzt.
17. Schützen Sie das Produkt vor Regen oder Feuchtigkeit. Eindringendes Wasser kann die Gefahr von Stromschlägen erhöhen.
18. Dieses Produkt ist nicht geeignet für Personen (einschließlich Kinder) mit eingeschränkten körperlichen, sensorischen oder geistigen Fähigkeiten, oder ohne Erfahrung und Wissen, es

sei denn sie werden von einer für ihre Sicherheit zuständigen Person beaufsichtigt oder angeleitet. Kinder müssen beaufsichtigt werden, damit sie nicht mit dem Produkt spielen. Bewahren Sie das Produkt außer Reichweite von Kindern auf.

DIESE BETRIEBUNGSANLEITUNG AUFBEWAHREN

BESONDERE SICHERHEITSHINWEISE

FÜR BATTERIEHALTERUNG

1. Lesen Sie vor der Verwendung des Akkublocks alle Anweisungen und Sicherheitshinweise für das Akkuladegerät (1), den Akku (2) und das Produkt (3), für das der Akku verwendet wird, sorgfältig durch.
2. Der Akkublock darf nicht zerlegt werden.
3. Falls die Betriebsdauer erheblich kürzer wird, beenden Sie den Betrieb umgehend. Andernfalls besteht die Gefahr einer Überhitzung sowie das Risiko möglicher Verbrennungen und sogar einer Explosion.
4. Wenn Elektrolyt in Ihre Augen gerät, waschen Sie diese mit klarem Wasser aus und suchen Sie sofort einen Arzt auf. Andernfalls können Sie Ihre Sehfähigkeit verlieren.
5. Vermeiden Sie einen Kurzschluss des Akkublocks:
 - (1) Die Kontakte dürfen nicht mit leitendem Material in Berührung kommen.
 - (2) Der Akkublock darf nicht in einem Behälter aufbewahrt werden, in dem sich andere metallische Gegenstände wie beispielsweise Nägel, Münzen usw. befinden.
 - (3) Der Akkublock darf weder Feuchtigkeit noch Regen ausgesetzt werden. Ein Kurzschluss des Akkus kann zu hohem Kriechstrom, Überhitzung, möglichen Verbrennungen und sogar zu einer Zerstörung des Werkzeugs führen.
6. Werkzeug und Akkublock dürfen nicht an Orten aufbewahrt werden, an denen Temperaturen von 50°C oder darüber erreicht werden können.
7. Beschädigte oder verbrauchte Akkus dürfen nicht verbrannt werden. Der Akkublock kann in den Flammen explodieren.
8. Lassen Sie den Akku nicht fallen und vermeiden Sie Schläge gegen den Akku.
9. Verwenden Sie niemals einen beschädigten Akku.
10. Lesen Sie die Anleitung zum Austauschen des Akkus sorgfältig durch, um Gefahren zu vermeiden. Und der max. Entladestrom des Akkus muss größer oder gleich 8 A sein.
11. enthaltene Lithium-Ion-Batterien unterliegen den

Vorschriften des Gefahrgutrechts. Während des Transports, z.B. durch Dritte oder Spediteure, sind spezielle Anforderungen auf der Verpackung und den Etiketten zu beachten.

Vor dem Versand des Produkts muss ein Experte für Gefahrstoffe konsultiert werden. Beachten Sie außerdem national geltende Vorschriften.

Kleben Sie freiliegende Kontakte ab und verpacken Sie die Batterie so, dass sie nicht in der Verpackung herumrutscht.

- Um den Batterieeinsatz zu entsorgen, entfernen Sie diesen aus dem Gerät und entsorgen Sie ihn an einem sicheren Ort. Beachten Sie alle örtlich geltenden Vorschriften bezüglich der Entsorgung von Batterien.
- Verwenden Sie die Batterien nur mit den von Makita vorgegebenen Produkten. Falls Sie die Batterien in nicht kompatiblen Produkten installieren, können Feuer, Überhitzung und Explosion verursacht werden oder Batterieflüssigkeit austreten. Falls Sie das Gerät längere Zeit nicht verwenden werden, muss die Batterie aus dem Gerät genommen werden.

⚠ ACHTUNG:

- **Bei unsachgemäßer Verwendung von Ersatzakkus besteht Explosionsgefahr.**
- **Als Ersatzteile dürfen nur Akkus des gleichen Typs verwendet werden.**
- **Verwenden Sie nur echte Makita Batterien. Unechte Makita Batterien oder modifizierte Batterien können zum Zerplatzen der Batterie führen und dadurch Feuer, Verletzungen und Schäden verursachen. In solch einem Fall wird außerdem die Makita Garantie für Makita Instrumente und Ladegeräte nichtig.**

Tipps für eine maximale Nutzungsdauer der Batterie

- Laden Sie die Batterie auf, bevor diese vollständig entladen ist. Beenden Sie den Betrieb und laden Sie die Batterie auf, wenn die Leistung des Geräts nachlässt.
- Laden Sie eine vollständig geladene Batterie nicht weiter auf. Überladung verkürzt die Lebensdauer.
- Laden Sie die Batterie bei einer Umgebungstemperatur von 10 °C - 40 °C (50 °F - 104 °F) auf. Lassen Sie ein heißes Batteriegehäuse vor dem Aufladen abkühlen.
- Laden Sie die Batterie, falls Sie das Gerät längere Zeit (länger als 6 Monate) nicht verwenden werden.

BETRIEBSDAUER

In der nachfolgenden Tabelle sind die für das Gerät geeigneten Batterien aufgelistet.

Die nachfolgende Tabelle ist eine Übersicht mit der jeweiligen Betriebsdauer pro Batterieladung.

Akkuladung	Nennspannung des Akkublocks			BEI LAUTSPRECHERAUSGABE = 100mW Einheit: Stunden (Ca.)	
	10.8V –12Vmax	14.4V	18V	Im Radiobetrieb oder über AUX- Buchse	Während Bluetooth +USB-Aufladung
1.3 Ah		BL1415		3.5	0.7
			BL1815	4.0	1.0
1.5 Ah	BL1015 BL1016			5.5	0.8
		BL1415N BL1415NA		4.5	0.9
			BL1815N	5.0	1.2
2.0 Ah	BL1020B BL1021B			7.0	1.0
			BL1820 BL1820B	6.5	1.6
3.0 Ah		BL1430 BL1430B BL1430A		8.0	1.6
			BL1830 BL1830B	9.0	2.3
4.0 Ah	BL1040B BL1041B			14	2.1
		BL1440		12	2.5
			BL1840 BL1840B	13	3.2
5.0Ah		BL1450		15	3.0
			BL1850 BL1850B	16	4.2
6.0 Ah		BL1460B BL1460A		16	3.3
			BL1860B	20	5.0

⚠ **WARNUNG:**

Verwenden Sie nur die oben aufgeführten Batteriekarten. Die Verwendung anderer Batteriekarten kann Verletzungen und/oder Feuer verursachen.

Hinweis:

- Die Nutzungsdauern in der obigen Tabelle sind nur Richtwerte.
- Die tatsächliche Nutzungsdauer kann je nach Batterie-Typ, Ladebedingungen bzw. Gebrauchsumgebung variieren.
- Je nach Standort sind einige der oben genannten Batterieeinsätze oder Ladegeräte möglicherweise nicht verfügbar.

INSTALLATION UND STROMVERSORGUNG (Abb.2)

⚠ VORSICHT:

- Achten Sie beim Öffnen und Schließen der Batterieabdeckung darauf, Ihre Finger nicht einzuklemmen.
- Bringen Sie die Verriegelung des Batteriefachs nach der Installation oder Entnahme der Batteriehalterung wieder zur Ausgangsposition zurück. Anderenfalls könnte die Batteriehalterung versehentlich aus dem Radio herausfallen und dadurch Verletzungen verursachen.
- Schließen und sichern Sie die Verriegelung des Batteriefachs, bevor Sie das Radio umstellen.
- Schalten Sie das Radio immer aus, bevor Sie die Batteriehalterung installieren oder entfernen.
- Lassen Sie das Radio nicht herunterfallen und schützen Sie es vor Aufprällen. Ein kaputtes Gehäuse könnte Verletzungen an Fingern und Körper verursachen. Ein beschädigtes Radio kann unvorhersehbar reagieren und als Folge Feuer, Explosionen oder Verletzungen verursachen.

WICHTIG:

- Eine nachlassende Leistung, Störungen, „stotternde Geräusche“ oder die Anzeige „! Niedrige Batterie“ im Display sind alles Anzeigen dafür, dass die Batterie ersetzt werden muss.
- Die Batteriehalterung kann nicht über den mitgelieferten AC-Netzadapter aufgeladen werden.
- Die Batteriehalterung ist kein Standardzubehör des Produkts.

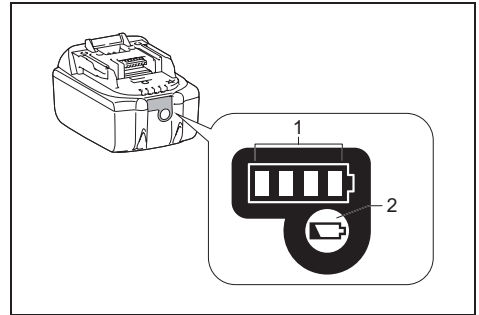
Einschubakku einsetzen bzw. entfernen (Abb. 3 & 4)

- Zum Einsetzen des Akkublocks müssen Sie die Akkublockzunge zur inneren Gehäusenut ausrichten und den Akkublock in Position schieben. Setzen Sie den Akkublock unbedingt vollständig ein, bis er mit einem Klick einrastet.
- Ist weiterhin der oben auf der Taste befindliche rote Bereich sichtbar, dann ist der Akkublock nicht ganz eingerastet. Setzen Sie den Akkublock vollständig ein, bis der rote Bereich nicht mehr sichtbar ist. Andernfalls kann der Block versehentlich aus dem Gerät fallen und Sie oder Personen in Ihrem Umfeld verletzen.
- Wenden Sie keine Gewalt beim Einsetzen des Akkublocks an. Wenn der Akkublock nicht leicht hineingleitet, dann haben Sie ihn nicht richtig ausgerichtet.

- Um die Batterie zu entfernen, schieben Sie diese aus dem Radio heraus, während Sie die Taste an der Vorderseite der Halterung verschieben.

Anzeigen der Restladung des Akkus

- * Nur für Akkublöcke mit einem „B“ am Ende der Modellnummer.



➤ 1. Anzeigelampen 2. Test-Taste

Drücken Sie zum Anzeigen der Restladung des Akkus die Akkuprüftaste. Die Anzeigelampen leuchten dann wenige Sekunden lang auf.

• 14,4V/18V Batterien

Anzeigelampen			Verbleibende Kapazität
Leuchtet	Aus	Blinkt	
■ ■ ■ ■			75% ~ 100%
■ ■ ■ □			50% ~ 75%
■ ■ □ □			25% ~ 50%
■ □ □ □			0% ~ 25%
▣ □ □ □			Batterie aufladen
■ ■ □ □	↑ ↓	■ ■	Mögliche Fehlfunktion der Batterie

● **Batteries de 10,8V-12V max**

Anzeigelampen			Verbleibende Kapazität
Leuchtet	Aus	Blinkt	
			75% ~ 100%
			50% ~ 75%
			25% ~ 50%
			0% ~ 25%

HINWEIS:

Je nach Gebrauchsbedingungen und Umgebungstemperatur können die Anzeigen leicht von der tatsächlichen Kapazität abweichen.

Betrieb mit mitgeliefertem Netzadapter

Entfernen Sie die Gummiabdeckung und schließen Sie den Adapterstecker an die DC-Buchse rechts am Radio an. Schließen Sie den Netzadapter an eine herkömmliche Steckdose an. Während des Gebrauchs des Netzadapters wird die Batterie automatisch getrennt.

⚠ VORSICHT:

- **Trennen Sie den AC-Netzadapter immer vollständig, bevor Sie das Radio umstellen. Anderenfalls besteht Stromschlaggefahr.**
- **Ziehen Sie niemals am Kabel des Netzadapters. Anderenfalls könnte das Radio herunterfallen und dadurch Verletzungen verursachen.**

WICHTIG:

- Der Netzadapter ist die Trennvorrichtung des Radios vom Netzstrom. Die verwendete Steckdose muss während des normalen Gebrauchs immer frei zugänglich sein.
- Ziehen Sie den Netzadapter vollständig aus der Steckdose heraus, um das Radio vom Netzstrom zu trennen.
- Verwenden Sie nur das im Lieferumfang enthaltene bzw. ein von Makita empfohlenes AC-Netzteil.
- Halten Sie weder das Netzkabel noch den Netzstecker an Ihren Mund. Es besteht Stromschlaggefahr.
- Berühren Sie den Netzstecker nicht mit nassen oder fettigen Händen.
- Beschädigte oder verhedderte Kabel erhöhen die Stromschlaggefahr. Falls das Kabel beschädigt ist, lassen sie es von einem autorisierten Kundendienst ersetzen, um Gefahrensituationen zu vermeiden. Benutzen Sie es erst wieder nach der Reparatur.
- Bewahren Sie das AC-Netzteil nach dem Gebrauch

außer Reichweite von Kindern auf. Kinder können sich verletzen, falls sie mit dem Kabel spielen.

Ladevorgang über USBStromversorgungsanschluss

Der USB-Port befindet sich an der Vorderseite des Radios. Sie können ein USB-Gerät über den USB-Port aufladen.

1. Schließen Sie das USB-Gerät, z. B. einen MP3- oder CD-Spieler, über ein handelsübliches USB-Kabel an.
2. Schalten Sie das Radio mit der Betriebstaste ein.
3. Unabhängig davon, ob das Radio via AC-Netzstrom oder Batteriestrom betrieben wird, kann das Radio das externe USB-Gerät aufladen, sofern das Radio eingeschaltet und der DAB/UKW-Radiomodus, BT-Modus oder AUX-Modus (bei Anschluss einer externen Audioquelle) aktiviert ist.

Hinweis:

- Beim aktiven USB-Ladevorgang steht nur eine eingeschränkte Lautsprecherleistung zur Verfügung.
- Der USB-Port kann max. 5V/2.4A zur Verfügung stellen.

Wichtig:

- Vor dem Anschluss Ihres USB-Geräts an den USB-Port müssen Sie immer ein Daten-Backup Ihres USB-Geräts ausführen! Ihre Daten könnten sonst möglicherweise durch unvorhersehbare Umstände verloren gehen.
- Das Radio kann möglicherweise einige USB- Geräte nicht mit Elektrizität versorgen.
- Schließen Sie die USB-Abdeckung und ziehen Sie das USB-Kabel ab, wenn Sie den USB-Port nicht benutzen.
- Schließen Sie am USB-Port keine Versorgungsspannung an! Es besteht ansonsten Brandgefahr! Der USB-Port ist ausschließlich zum Laden von Niederspannungsgeräten geeignet. Schließen Sie immer die Abdeckung des USB-Ports, wenn Sie kein Niederspannungsgerät laden.
- Niemals Fremdkörper (Nägel, Draht etc.) in den USB-Stromversorgungsanschluss einführen! Es könnte ein Kurzschluss entstehen und einen Brand mit Rauchentwicklung verursachen.
- Schließen Sie niemals den USB-Port des Radios am USB-Port eines PCs an, weil dadurch beide Geräte beschädigt werden können!

RADIO HÖREN

Dieses Radio verfügt über drei Möglichkeiten der Sendereinstellung: Sendersuchlauf, manuelle Sendereinstellung und Aufrufen zuvor gespeicherter Sender.

Sender einschalten – DAB

Hinweis:

Die DAB-Antenne ist im Griff integriert. Klappen Sie den Griff während des Radiobetriebs für einen besseren Empfang vollständig nach oben.

1. Schalten Sie das Radio mit der Betriebstaste ein.
2. Wählen Sie durch Drücken der Frequenzbandtaste den DAB-Radiomodus aus.
3. Drücken Sie auf den Tuning-Regler um die Senderliste aufzurufen. Alternativ dazu können Sie die Taste für die erweiterten Einstellungen drücken und anschließend den Tuning-Regler drehen, um die „Senderliste“ auszuwählen. Drücken Sie auf den Tuning-Regler, um die Senderliste zu öffnen.
4. Drehen Sie den Tuning-Regler, um durch die Liste der verfügbaren Radiosender zu scrollen. Drücken Sie auf den Tuning-Regler, um einen Sender auszuwählen.
5. Stellen Sie die Lautstärke mit dem Lautstärkeregler entsprechend ein.

Anzeigemodi – DAB

Ihr Radio unterstützt im DAB-Modus eine Vielzahl an Anzeigeeoptionen.

Drücken Sie die Info-Taste, um durch die unterschiedlichen Optionen zu scrollen.

- | | |
|----------------------------|--|
| a. Dynamisches Textsegment | Zusätzliche Infos laufen in Textform (bis zu 128 Zeichen) neben dem DAB bzw. DAB+ Radiosender über das Display. Anzeige von Textmitteilungen wie Künstler/Titel, Telefon-Hotline, usw. |
| b. Programmtyp | Typ des aktuellen Senders, wie z.B. Pop, Klassik, Nachrichten, usw. |
| c. Multiplex-Name | Name des DAB-Multiplex des aktuellen Senders. |
| d. Frequenz und Sender | Frequenz und Sendernummer des aktuellen DAB-Senders. |
| e. Signalfehler/-stärke | Signalfehler oder Signalstärke des aktuellen Senders. Eine niedrigere Fehlernummer weist auf eine bessere Qualität des Radiosignals hin. |
| f. Bitrate/Audio-Typ | Digitale Audio-Bitrate und Audio-Typ des aktuellen DAB-Senders. |
| g. Datum | Aktuelles Datum. |

Falls mit einer DAB-Sendung ein Slideshow-Bild übertragen wird, können Sie dieses durch Halten des Tuning-Reglers gedrückt als Vollbild anzeigen. Wird die Sendung in Stereo übertragen, erscheint unten im Display das Stereolautsprechersymbol.

Neue Sender suchen – DAB

Von Zeit zu Zeit werden neue DAB-Radiosender verfügbar sein. Auch nach einem Umzug in eine andere Stadt ist es möglicherweise erforderlich, das Radio erneut zu initiieren und nach neuen Sendern zu suchen. Um nach neuen verfügbaren Sendern zu suchen, wird empfohlen, eine vollständige Suche nach allen DAB Band III Frequenzen durchzuführen.

1. Schalten Sie Ihr Radio mit der Betriebstaste ein.
2. Wählen Sie durch Drücken der Frequenzbandtaste den DAB-Modus aus.
3. Drücken Sie die Taste für die automatische Sendersuche, um die Suche zu starten. Im Display erscheint „Sendersuche“ und das Radio sucht alle DAB Band III Frequenzen ab. Wenn das Radio einen neuen Sender findet, erhöht sich der Zähler im Display und der Sender wird zur Senderliste hinzugefügt. Das Balkendiagramm weist auf den Suchfortschritt hin.

Manuelle Sendersuche – DAB

Die manuelle Sendersuche ermöglicht Ihnen, nach einer bestimmten Band III DAB-Frequenz zu suchen. Sie können diese Funktion auch bei der Positionierung der Antenne oder des Radios verwenden, um den Empfang eines bestimmten Senders oder einer Frequenz noch zu verbessern.

1. Drücken Sie im DAB-Modus die Taste für die erweiterten Einstellungen, um die Menüeinstellungen zu öffnen.
2. Drehen Sie den Tuning-Regler zur Auswahl der Option „Manuelle Sendersuche“. Drücken Sie auf den Tuning-Regler, um den manuellen Suchmodus zu aktivieren.
3. Drehen Sie nun den Tuning-Regler zur Auswahl des gewünschten DAB-Senders. Drücken Sie den Tuning-Regler zum Bestätigen der ausgewählten Frequenz.

Dynamiksteuerung (DRC) – DAB

Mit der DRC-Funktion können leisere Töne besser hörbar gemacht werden, wenn das Radio in einer lauten Umgebung verwendet wird. Diese Funktion reduziert den Dynamikbereich des Audiosignals. Es stehen drei Optionen zur Verfügung:

- | | |
|-----|-------------------------|
| 1 | Maximale Komprimierung. |
| 1/2 | Mittlere Komprimierung. |
| 0 | Keine Komprimierung. |
1. Drücken Sie im DAB-Modus die Taste für die erweiterten Einstellungen, um die Menüeinstellungen zu öffnen.
 2. Drehen Sie den Tuning-Regler zur Auswahl der Option „DRC“ und öffnen Sie das Menü durch Drücken des Tuning-Reglers. Im Display wird dann

- der aktuelle DRC-Wert angezeigt.
3. Drehen Sie den Tuning-Regler zur Auswahl der gewünschten DRC-Einstellung.
 4. Drücken Sie den Tuning-Regler zum Bestätigen.

Senderreihenfolge – DAB

Das Radio unterstützt 3 Einstellungen für die Senderreihenfolge: Alphanumerisch, Ensemble und Gültiger Sender.

1. Drücken Sie im DAB-Modus die Taste für die erweiterten Einstellungen, um die Menüeinstellungen zu öffnen.
2. Drehen Sie den Tuning-Regler zur Auswahl der Option „Senderreihenfolge“ und öffnen Sie das Menü durch Drücken des Tuning-Reglers.
3. Drehen Sie den Tuning-Regler zur Auswahl einer der nachfolgenden Optionen und drücken Sie dann den Tuning-Regler zum Bestätigen.

Alphanumerisch	Die Sender werden alphanumerisch (0...9 A...Z) sortiert.
Ensemble	Sender werden nach DAB-Multiplex sortiert.
Gültig	Es werden nur Sender mit vorhandenem Signal angezeigt.

Sendersuche – UKW

Hinweis:

Die UKW-Antenne ist im Griff integriert. Klappen Sie den Griff während des Radiobetriebs für einen besseren Empfang vollständig nach oben.

1. Schalten Sie das Radio mit der Betriebstaste ein.
2. Drücken Sie die Frequenzbandtaste zur Auswahl des UKW-Radiomodus.
3. Drücken Sie die Taste für die automatische Sendersuche. Das Radio sucht nach Sendern und beendet die Suche automatisch, sobald ein Radiosender gefunden wurde.
4. Nach einigen Sekunden wird das Display aktualisiert. Im Display werden die Frequenz und das Signal angezeigt. Sofern das Signal stark genug ist und RDS-Daten vorhanden sind, wird im Display auch der Sendername angezeigt.
5. Drücken Sie die Taste für die automatische Sendersuche erneut, um weitere Sender zu suchen.
6. Am Ende des Wellenbands setzt das Radio die Sendersuche in entgegengesetzter Richtung des Wellenbands fort.
7. Stellen Sie die Lautstärke mit dem Lautstärkeregler entsprechend ein.

Hinweis:

Stellen Sie die Lautstärke nicht zu laut ein. Meiden Sie hohe Lautstärken über längere Zeiträume, um

Gehörschäden zu vermeiden.

8. Drücken Sie die Betriebstaste, um das Radio auszuschalten.

Manuelle Sendersuche – UKW

1. Schalten Sie das Radio mit der Betriebstaste ein.
2. Drücken Sie die Frequenzbandtaste zur Auswahl des UKW-Radiomodus.
3. Drücken Sie den Tuning-Regler, um den Suchmodus auszuwählen.
4. Drehen Sie nun den Tuning-Regler zum Suchen des gewünschten Senders.
5. Um die Lautstärke einzustellen, drücken Sie erneut auf den Tuning-Regler, um den Modus für die Lautstärkeeinstellung zu aktivieren.
6. Drehen Sie dann den Lautstärkeregler zum Einstellen der Lautstärke.

Anzeigemodi – UKW (RDS)

Ihr Radio unterstützt eine Vielzahl an Anzeigeoptionen für den UKW-Modus.

Die RDS-Anzeige unten im Display weist darauf hin, dass für die aktuelle Sendung unterschiedliche RDS-Daten übertragen werden. Das Stereolautsprechersymbol weist darauf hin, dass die Sendung in Stereo empfangen wird.

Drücken Sie wiederholt auf die Info-Taste, um die RDS-Daten (Radio Data System) für den aktuellen Sender anzuzeigen.

- | | |
|----------------|---|
| a. Radiotext | Radio-Textmitteilungen, z.B. über neue Inhalte, usw. |
| b. Programmtyp | Typ des aktuellen Senders, wie z.B. Pop, Klassik, Nachrichten, usw. |
| c. Frequenz | Frequenz des UKW-Signals. (Falls keine RDS-Daten verfügbar sind, erscheint die Anzeige „Namenlos“.) |
| d. Audiomodus | Aktueller Audiomodus. |
| e. Datum | Aktuelles Datum. |

UKW-Suchbereich

Der UKW-Modus ermöglicht die Suche nach lokalen Sendern bzw. nach allen Sendern einschließlich weit entfernter Sender.

1. Drücken Sie im UKW-Modus die Taste für die erweiterten Einstellungen, um die Menüeinstellungen zu öffnen.
2. Drehen Sie den Tuning-Regler zur Auswahl der Option „Suchbereich“. Drücken Sie dann den Tuning-Regler zum Bestätigen. Die aktuell aktivierte Einstellung ist angekreuzt.
3. Drehen Sie den Tuning-Regler zur Auswahl der Option „Lokal“ (nur Sender mit starkem Signal) oder „Entfernt“ (Alle Sender). Bei der Suche nach

entfernten Sendern können auch Sender mit schwächerem Signal gefunden werden.

4. Drücken Sie den Tuning-Regler zum Bestätigen. Die von Ihnen gewählte Einstellung bleibt solange erhalten, bis Sie diese ändern oder das System zurücksetzen.

Stereo/Mono – UKW

Bei schwachem Signal eines Senders ist möglicherweise ein Rauschen zu hören. Dieses Rauschen kann reduziert werden, indem Sie den Sender in Mono anstatt in Stereo wiedergeben lassen.

1. Schalten Sie den UKW-Modus und anschließend den gewünschten UKW-Radiosender ein.
2. Drücken Sie die Taste für die erweiterten Einstellungen, um die Menüeinstellungen zu öffnen.
3. Drehen Sie den Tuning-Regler zur Auswahl von „Audioeinstellungen“ und drücken Sie den Regler zum Bestätigen. Die aktuelle Audioeinstellung ist angekreuzt.
4. Drehen Sie den Tuning-Regler zur Auswahl von „Mono erzwingen“ oder „Stereo zulassen“ und drücken Sie den Regler zum Bestätigen Ihrer Einstellung.

Radiosender im DAB- und UKW-Modus speichern

Der DAB- und der UKW-Modus verfügen über jeweils 5 Speicherplätze. Die Vorgehensweise zum Speichern von Sendern ist für beide Frequenzbänder identisch.

1. Schalten Sie das Radio mit der Betriebstaste ein.
2. Drücken Sie die Frequenzbandtaste zur Auswahl des gewünschten Frequenzbands. Schalten Sie dann wie weiter vorn beschrieben einen Sender ein.
3. Halten Sie die gewünschte Speichertaste gedrückt, bis im Display (z.B.) die Anzeige „Auf Platz 1 gespeichert“ erscheint.  erscheint unten im Display. Der Sender ist nun auf dem ausgewählten Speicherplatz hinterlegt. Wiederholen Sie diese Vorgehensweise ggf. für weitere Sender.
4. Bereits gespeicherte Sender können ggf. anhand oben erläuteter Methode überschrieben werden.

Gespeicherte Radiosender im DAB- und UKW-Modus aufrufen

1. Schalten Sie das Radio mit der Betriebstaste ein.
2. Drücken Sie die Frequenzbandtaste zur Auswahl des DAB- oder UKW-Modus.
3. Drücken Sie kurz die gewünschte Speichertaste, um den darauf gespeicherten Sender einzuschalten.

WEITERE EINSTELLUNGEN

Automatische Aktualisierung der Uhrzeit

Sie können festlegen, ob die Uhrzeit via DAB- oder UKW-Übertragung eingestellt werden soll. Nach einem Stromausfall aktualisiert das Radio die Uhrzeit, sobald Sie den DAB- bzw. UKW-Modus erneut einschalten.

1. Drücken Sie, wenn das Radio eingeschaltet ist, die Taste für die erweiterten Einstellungen, um das Menü für den aktuellen Modus zu öffnen.
2. Drehen Sie den Tuning-Regler zur Auswahl der Option „Uhrzeit/Datum“ und drücken Sie den Regler zum Bestätigen.
3. Drehen Sie den Tuning-Regler nun zur Auswahl der Option „Automatische Aktualisierung“ und drücken Sie den Regler, um das entsprechende Menü zu öffnen.
4. Drehen Sie den Tuning-Regler zur Auswahl der Art der Aktualisierung: „Beliebig“, „DAB“ oder „UKW“. Drücken Sie den Tuning-Regler zum Bestätigen. Die aktuelle Einstellung ist angekreuzt.

Uhrzeitformat einstellen

1. Drücken Sie, wenn das Radio eingeschaltet ist, die Taste für die erweiterten Einstellungen, um das Menü für den aktuellen Modus zu öffnen.
2. Drehen Sie den Tuning-Regler zur Auswahl der Option „Uhrzeit/Datum“ und drücken Sie den Regler zum Bestätigen.
3. Drehen Sie den Tuning-Regler nun zur Auswahl von „12/24 Stunden“ und drücken Sie den Regler, um die Einstellungen für das Uhrzeitformat zu öffnen. Die aktuelle Einstellung ist entsprechend angekreuzt.
4. Drehen Sie den Tuning-Regler zur Auswahl des 12- oder 24-Stundenformats und drücken Sie den Tuning-Regler zum Bestätigen. Falls Sie das 12-Stundenformat auswählen, erscheint im Display das 12-Stundenformat und die Anzeige AM bzw. PM.

Datumsformat einstellen

1. Drücken Sie, wenn das Radio eingeschaltet ist, die Taste für die erweiterten Einstellungen, um das Menü für den aktuellen Modus zu öffnen.
2. Drehen Sie den Tuning-Regler zur Auswahl der Option „Uhrzeit/Datum“ und drücken Sie den Regler zum Bestätigen.
3. Drehen Sie den Tuning-Regler zur Auswahl der Option „Datumsformat einstellen“ und drücken Sie den Regler, um die Einstellungen aufzurufen.
4. Drehen Sie nun den Tuning-Regler zur Auswahl von „TT-MM-JJJJ“ oder „MM-TT-JJJJ“ als Datumsformat und drücken Sie den Regler zum Bestätigen.

Lautheit

Sie können höhere und tiefere Frequenzen kompensieren, indem Sie entsprechende Einstellungen mit der Lautheit-Funktion vornehmen.

1. Drücken Sie, wenn das Radio eingeschaltet ist, die Taste für die erweiterten Einstellungen, um das Menü für den aktuellen Modus zu öffnen.
2. Drehen Sie den Tuning-Regler zur Auswahl der Option „Lautheit“ und drücken Sie den Regler zum Bestätigen.
3. Drehen Sie den Tuning-Regler zur Auswahl von „Ein“, um die Lautheit-Funktion zu aktivieren, oder „Aus“, um die Funktion zu deaktivieren. Bestätigen Sie durch Drücken des Tuning-Reglers.

Sprache

Das Radio unterstützt 8 Sprachen: Englisch, Deutsch, Italienisch, Französisch, Holländisch, Dänisch, Norwegisch und Polnisch.

1. Wenn das Radio eingeschaltet ist, drücken Sie die Taste für die erweiterten Einstellungen, um das Menü für den aktuellen Modus zu öffnen.
2. Drehen Sie den Tuning-Regler zur Auswahl der Option „Sprache“ und drücken Sie den Regler zum Bestätigen.
3. Drehen Sie nun den Tuning-Regler zur Auswahl der gewünschten Sprache und bestätigen Sie durch Drücken des Reglers.

Rückstellung

Falls Sie Ihr Radio auf die ursprünglichen Werkseinstellungen zurücksetzen möchten, können Sie anhand der nachfolgenden Punkte vorgehen. Bei der Rückstellung werden alle vom Benutzer vorgenommenen Einstellungen gelöscht.

1. Wenn das Radio eingeschaltet ist, drücken Sie die Taste für die erweiterten Einstellungen, um das Menü für den aktuellen Modus zu öffnen.
2. Drehen Sie den Tuning-Regler zur Auswahl der Option „Rückstellung“ und drücken Sie den Regler zum Bestätigen.
3. Drehen Sie nun den Tuning-Regler zur Auswahl von „Ja“ oder „Nein“. Falls Sie die Systemrückstellung doch nicht durchführen möchten, wählen Sie „Nein“ und drücken Sie auf den Regler. Falls Sie „Ja“ wählen und den Tuning-Regler drücken, wird die Rückstellung durchgeführt. Die Senderliste und alle gespeicherten Sender werden gelöscht und die Werkseinstellungen wiederhergestellt.

Im Fall von Fehlfunktionen aufgrund elektrostatischer Entladung kann durch die Rückstellung (erneuter Anschluss mit der Stromversorgung ist eventuell erforderlich) der normale Betrieb fortgesetzt werden.

Micro-USB-Port für Software-Aktualisierung

In der Zukunft werden immer wieder Aktualisierungen für die Software des Radios verfügbar sein. Informationen darüber, ob Aktualisierungen verfügbar sind und wie diese installiert werden, finden Sie auf der **Webseite von Makita**.

1. Verbinden Sie ein Micro-USB-Kabel (nicht enthalten) mit dem USB-Port im Batteriefach und mit Ihrem PC.
2. Wenn das Radio eingeschaltet ist, drücken Sie die Taste für die erweiterten Einstellungen, um das Menü für den aktuellen Modus zu öffnen.
3. Drehen Sie den Tuning-Regler zur Auswahl der Option „Software-Aktualisierung“ und drücken Sie den Regler zum Bestätigen.
4. Drehen Sie nun den Tuning-Regler zur Auswahl von „Ja“ oder „Nein“. Falls Sie die Systemrückstellung doch nicht durchführen möchten, wählen Sie „Nein“ und drücken Sie auf den Regler. Falls Sie „Ja“ wählen und den Tuning-Regler drücken, erscheint im Display die Anzeige „Warte auf PC-Wizard“. Öffnen Sie die Webseite und laden Sie dort die aktuellste Software herunter. Folgen Sie den Anleitungen auf dem Bildschirm Ihres PC, um die Aktualisierung der Software durchzuführen und abzuschließen.

Hinweis:

Bitte verwenden Sie das AC-Netzteil während der Aktualisierung der Software. Schalten Sie das Radio nicht aus, während die Aktualisierung noch im Gange ist und das Radio noch nicht neu gestartet wurde; anderenfalls könnte das Gerät permanent beschädigt werden.

Software-Version

1. Wenn das Radio eingeschaltet ist, drücken Sie die Taste für die erweiterten Einstellungen, um das Menü für den aktuellen Modus zu öffnen.
2. Drehen Sie den Tuning-Regler zur Auswahl der Option „Software-Version“ und drücken Sie den Regler, um die aktuelle Version anzuzeigen.

Equalizer-Funktion

Um den Tuning-Regler herum befinden sich 7 LED-Anzeigen, die jeweils auf unterschiedliche EQ-Modi hinweisen.

1. Schalten Sie das Radio mit der Betriebstaste ein.
2. Drücken Sie auf die EQ-Taste, um das EQ-Einstellungsmenü zu öffnen.
3. Drehen Sie den Tuning-Regler zur Auswahl des gewünschten Modus und drücken Sie zum Bestätigen auf den Tuning-Regler.

EQ-Modus	LED-Anzeige
FLAT	Weiß
JAZZ	Blau
ROCK	Rot
KLASSIK	Braun
POP	Pink
NACHRICHTEN	Gelb
BENUTZERDEF.	Grün

EQ-Profil einrichten

1. Drücken Sie die EQ-Taste, um das Menü mit den EQ-Einstellungen zu öffnen.
2. Drehen Sie den Tuning-Regler zur Auswahl der Option „Mein EQ-Profil“ und drücken Sie den Regler, um das Menü zu öffnen.
3. Drehen Sie den Tuning-Regler zur Auswahl der Option „Hochton“ und drücken Sie den Regler zum Bestätigen. Drehen Sie nun den Tuning-Regler zur Auswahl der gewünschten Hochtoneinstellung und bestätigen Sie durch Drücken des Reglers.
4. Drehen Sie den Tuning-Regler zur Auswahl der Option „Mittelton“ und drücken Sie den Regler zum Bestätigen. Drehen Sie nun den Tuning-Regler zur Auswahl des gewünschten Mitteltons und bestätigen Sie durch Drücken des Reglers.
5. Drehen Sie den Tuning-Regler zur Auswahl der Option „Tiefton“ und drücken Sie den Regler zum Bestätigen. Drehen Sie nun den Tuning-Regler zur Auswahl der gewünschten Tieftoneinstellung und bestätigen Sie durch Drücken des Reglers.

Hinweis:

Falls Sie den Equalizer zur Hervorhebung des Basses verwenden und dann bei hohen Lautstärken Musik hören, kann der Sound abgebrochen oder verzerrt sein. Stellen Sie in solch einem Fall die Lautstärke entsprechend angemessen ein.

MUSIKWIEDERGABE VIA BLUETOOTH-ÜBERTRAGUNG

Sie müssen zunächst Ihr Bluetooth-Gerät mit dem radio koppeln, bevor Sie mit diesem radio Musik via Bluetooth abspielen/übertragen können. Durch die Kopplung entsteht eine „Verbindung“, damit sich beide Geräte gegenseitig erkennen.

Hinweis:

- Für eine bessere Sound-Qualität empfehlen wir, die Lautstärke an Ihrem Bluetooth-Gerät mit einer Einstellung von zwei Dritteln und am radio je nach Bedarf einzustellen.
- Der radio kann bis zu 8 gekoppelte Geräte speichern. Bei Überschreitung der Anzahl dieses Speichers wird

der älteste Speichereintrag überschrieben.

Erstmalige Kopplung mit einem Bluetooth-Gerät

1. Schalten Sie das Radio mit der Betriebstaste ein. Drücken Sie die Frequenzbandtaste zur Auswahl des Bluetooth-Modus; im Display erscheint die Anzeige „BT-Kopplung“ und die Speichertasten (1-5) blinken weiß und weisen somit darauf hin, dass das Radio für andere Geräte erkennbar ist.
2. Aktivieren Sie an Ihrem externen Gerät die Bluetooth-Funktion; informieren Sie sich entsprechend in dessen Bedienungsanleitung. Öffnen Sie die Bluetooth-Gerätesliste und wählen Sie die Option „DMR115“. Bei einigen Mobilgeräten mit älteren Versionen als BT2.1 müssen Sie ggf. das Passwort „0000“ eingeben.
3. Nach der erfolgreichen Kopplung ertönt ein Bestätigungston und die Speichertasten (1-5) leuchten stetig weiß. Sie können nun Musik an Ihrem externen Gerät auswählen und abspielen. Die Lautstärke stellen Sie am externen Gerät oder direkt am Radio ein.
4. Verwenden Sie die Tasten an Ihrem Bluetooth-fähigen Gerät oder am Radio, um die Wiedergabe zu starten/zu unterbrechen oder um Titel zu überspringen.

Hinweis:

- Bei der erstmaligen Kopplung von 2 Bluetooth-Geräten suchen beide Geräte nach dem radio; an beiden Geräten wird dessen Verfügbarkeit angezeigt. Sobald jedoch ein Gerät mit dem radio verbunden ist, erscheint es nicht mehr in der Gerätesliste des zweiten Bluetooth-Geräts.
- Falls Ihr Bluetooth-Gerät vorübergehend vom radio getrennt ist, müssen Sie es erneut manuell mit dem radio verbinden.
- Falls „DMR115“ in der Gerätesliste Ihres Bluetooth-Geräts erscheint, jedoch nicht verbunden werden kann, löschen Sie es aus der Liste und führen Sie die Kopplung erneut anhand der vorher beschriebenen Vorgehensweise durch.
- Die optimale Bluetooth-Übertragungsbereichweite zum Radio beträgt ungefähr 10 Meter (30 Fuß) (Sichtlinie), wobei jedoch Reichweiten von bis zu 30 Metern (100 Fuß) möglich sein können.
- Falls die Bluetooth-Verbindung aufgrund einer zu lange andauernden Trennung, einer Überschreitung der optimalen Reichweite oder aufgrund von Hindernissen oder ähnlichem getrennt wurde, müssen das Gerät und das Radio möglicherweise erneut verbunden werden.
- Gegenstände, schnurlose Geräte oder elektromagnetische Geräte können die Verbindungsqualität beeinflussen.

- Bluetooth-Verbindungsfähigkeit kann je nach verbundenem Bluetooth-Gerät variieren. Informieren Sie sich über die Bluetooth-Fähigkeit Ihres externen Geräts, bevor Sie Ihr Radio verbinden. Einige gekoppelte Bluetooth-Geräte unterstützen möglicherweise nicht alle Funktionen.

Wiedergabe von Audiodateien im Bluetooth-Modus

Nachdem Sie Ihren radio erfolgreich mit einem Bluetooth-Gerät verbunden haben, können Sie Musik unter Verwendung der Tasten am verbundenen Bluetooth-Gerät abspielen.

1. Nach dem Start der Wiedergabe können Sie die Lautstärke mit den Lautstärketasten an Ihrem radio oder Ihrem aktivierten Bluetooth-Gerät einstellen.
2. Verwenden Sie die Tasten an Ihrem Bluetooth-Gerät, um die Wiedergabe zu starten bzw. zu unterbrechen oder um Titel zu überspringen. Alternativ dazu können Sie diese Funktionen mit den Tasten Wiedergabe/ Pause/Nächster Titel oder Vorheriger Titel am Radio ausführen.
3. Halten Sie die Taste Vorspulen oder Zurückspulen gedrückt, um durch den aktuellen Titel zu scrollen. Lassen Sie die Taste an der gewünschten Stelle los.

Hinweis:

- Einige Player-Anwendungen oder Geräte sind möglicherweise nicht mit allen diesen Tasten kompatibel.
- Bei einigen Handys wird möglicherweise vorübergehend die Verbindung mit dem radio getrennt, während Sie Anrufe tätigen oder entgegennehmen. An einigen Geräten wird die Bluetooth-Übertragung stumm geschaltet, wenn Textnachrichten und E-Mails eingehen oder andere Gründe auftreten, die nicht im Zusammenhang mit der Audioübertragung stehen. Dies liegt am externen Gerät und ist keine Fehlfunktion Ihres radio.

Wiedergabe eines bereits früher gekoppelten Bluetooth-Geräts

Falls Ihr Bluetooth-Gerät bereits zu einem früheren Zeitpunkt mit dem radio gekoppelt wurde, erkennt der radio das Bluetooth-Gerät und wird immer versuchen, die Verbindung mit dem zuletzt verbundenen Gerät wieder herzustellen. Falls das zuletzt verbundene Gerät nicht verfügbar ist, ist der radio nicht erkennbar.

Bluetooth-Gerät trennen

Halten Sie die Taste für die Bluetooth-Kopplung 2-3 Sekunden lang gedrückt, bis die Anzeige „BT-Kopplung“ erscheint, oder deaktivieren Sie die Bluetooth-Funktion an Ihrem externen Gerät, um die Verbindung zu trennen. Alternativ dazu können Sie die Frequenzbandtaste

drücken und einen anderen Modus (außer Bluetooth) auswählen, um die Verbindung zu trennen.

Gekoppelte Bluetooth-Geräte aus dem Speicher löschen

Um alle in der Vergangenheit gekoppelten Geräte aus dem Speicher zu löschen, halten Sie die Taste für die Bluetooth-Kopplung länger als 7 Sekunden gedrückt, bis im Display die Anzeige „Wird gelöscht“ erscheint.

AUX-EINGANGSBUCHSE

An der Vorderseite des Radios befindet sich ein 3,5 mm Aux-Eingang für den Anschluss und die Wiedergabe eines externen Audiogeräts, wie z.B. MP3- oder CD-Player.

1. Schließen Sie ein externes Audiogerät (z.B. MP3- oder CD-Player) an den AUX-Eingang an.
2. Schalten Sie das Radio mit der Betriebstaste ein.
3. Drücken Sie wiederholt die Frequenzbandtaste, bis die Anzeige „AUX IN“ erscheint.
4. Im Hinblick auf eine bessere Soundqualität wird empfohlen, am Audiogerät die Lautstärke mit ungefähr zwei Dritteln und dann entsprechend am Radio einzustellen.

HINWEIS:

Das Audiokabel ist kein Standardzubehör des Produkts.

WARTUNG

⚠ ACHTUNG:

- Verwenden Sie zum Reinigen niemals Kraftstoffe, Benzin, Verdünner, Alkohol oder ähnliches. Dies kann zu Verfärbungen, Verformungen oder Rissen führen.
- Reinigen Sie das Radio nicht mit Wasser.

TECHNISCHE DATEN

Leistungsanforderungen	
AC-Netzteil	DC 12V 2,5A, positiver mittlerer Kontakt
Batterie	Gleitende Batterie: 10,8V - 18V
Frequenzbereich	UKW 87,50-108MHz (in Intervallen von 0,05MHz) DAB/DAB+ 174,928-239,200 MHz
DAB/DAB+ Senderblock	DAB (Band III) 5A-13F
Kompatibler Standard	DAB/DAB+

Bluetooth® (Die Bluetooth®-Wortmarke und die Bluetooth®-Logos sind eingetragene Marken von Bluetooth SIG, Inc.)	
Bluetooth-Version	5.0 Zertifiziert
Bluetooth-Profile	A2DP/SCMS-T/AVRCP
Übertragungsleistung	Leistungsklasse 2
Übertragungsbereich	Optimum: Max. 10 Meter (33 Fuß) Möglich: Max. 30 Meter (100 Fuß) (abhängig von den Gebrauchsbedingungen)
Bluetooth-Codecs	SBC, AAC
Max. Radiofrequenzleistung	BT EDR: 1.91dBm BT LE: 0.21dBm
Betriebsfrequenz	2402MHz~2480MHz

Schaltkreis	
Lautsprecher	2,5 Zoll 8 Ohm x 2 4 Zoll 6 Ohm x 1
Ausgangsleistung	10,8V-12V max: 2W x 2 + 10W 14,4V: 3W x 2 + 15W 18V: 5W x 2 + 25W
Eingang	3,5 mm Durchmesser (AUX IN)
Antennensystem	DAB/FM: Integrierte Antenne
Abmessungen (L x B x H)	268 x 164 x 295 mm
Gewicht	4,8 KG (ohne Batterie)

Makita Europe N.V. Jan-Baptist Vinkstraat 2,
3070 Kortenberg, Belgium

Makita Corporation 3-11-8, Sumiyoshi-cho,
Anjo, Aichi 446-8502 Japan

DMR115-AT8-2101
3A81d75Z5000A

www.makita.com

SJN