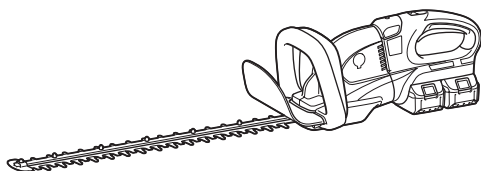




<b>EN</b>	Cordless Hedge Trimmer	INSTRUCTION MANUAL	7
<b>UK</b>	Акумуляторна пила для підрізання живоплоту	ІНСТРУКЦІЯ З ЕКСПЛУАТАЦІЇ	13
<b>PL</b>	Akumulatorowe nożyce do żywopłotu	INSTRUKCJA OBSŁUGI	20
<b>RO</b>	Mașină de tuns gardul viu fără cablu	MANUAL DE INSTRUCȚIUNI	27
<b>DE</b>	Akku-Heckenschere	BEDIENUNGSANLEITUNG	34
<b>HU</b>	Vezeték nélküli sövényvágó	HASZNÁLATI KÉZIKÖNYV	41
<b>SK</b>	Akumulátorové nožnice na živé ploty	NÁVOD NA OBSLUHU	48
<b>CS</b>	Akumulátorové nůžky na živé ploty	NÁVOD K OBSLUZE	54

**DUH551**  
**DUH651**



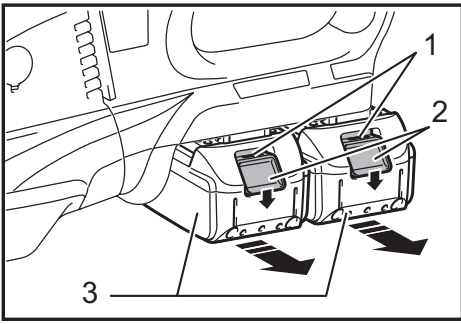


Fig.1

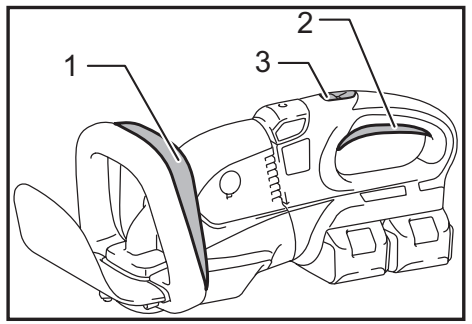


Fig.5

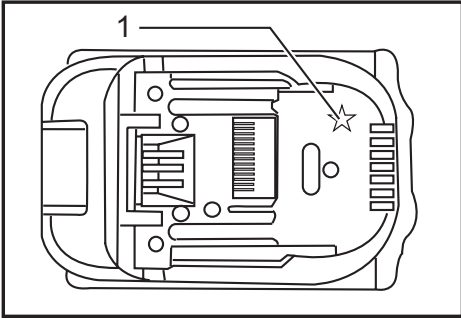


Fig.2

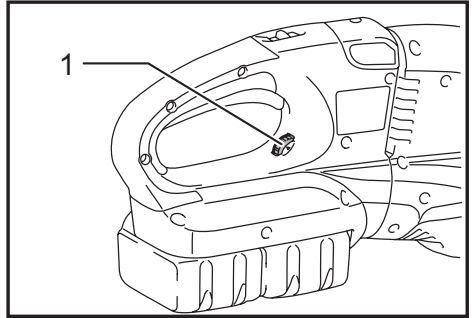


Fig.6

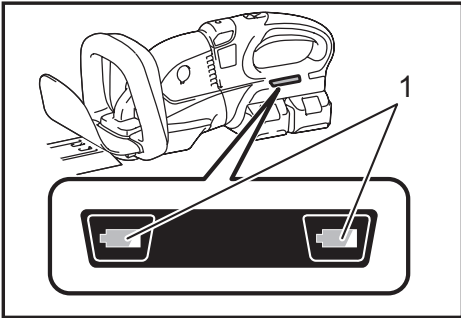


Fig.3

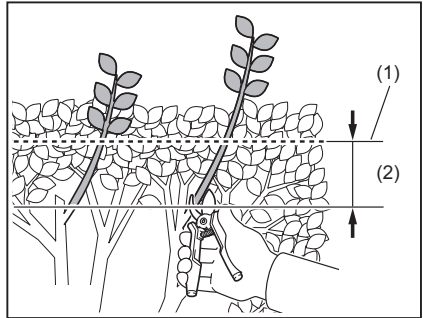


Fig.7

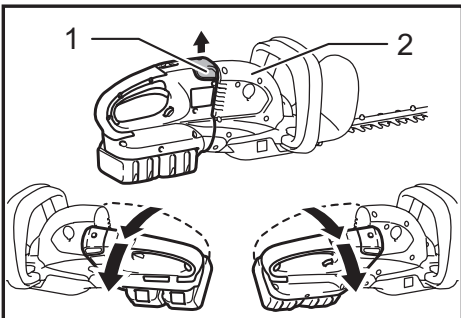


Fig.4

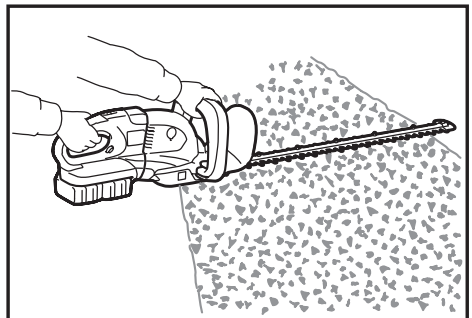


Fig.8

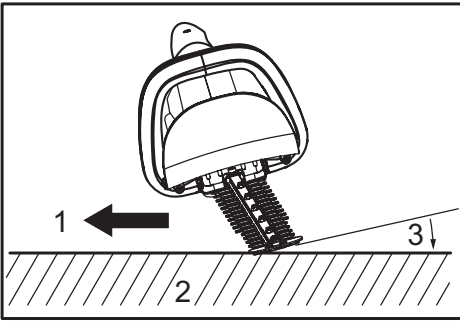


Fig.9

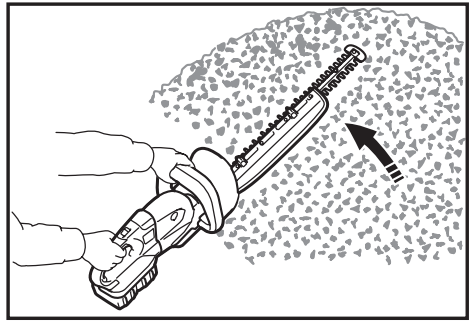


Fig.13

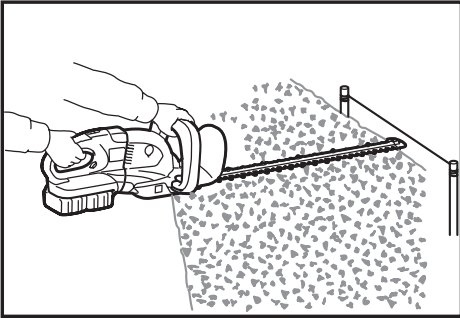


Fig.10

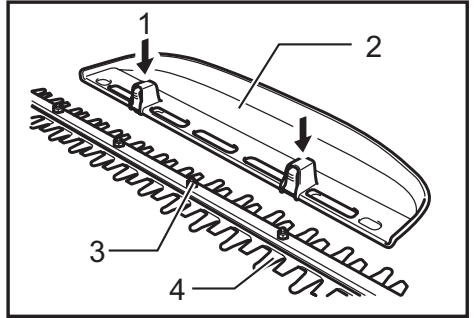


Fig.14

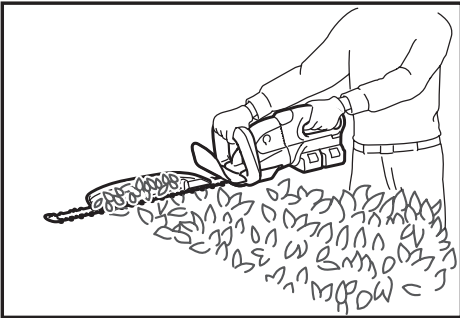


Fig.11

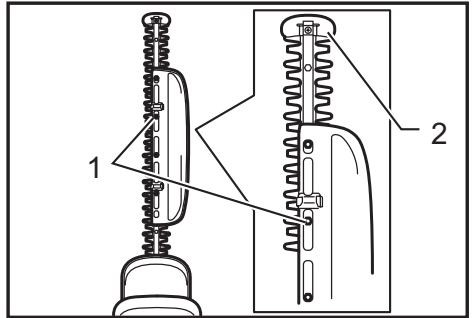


Fig.15

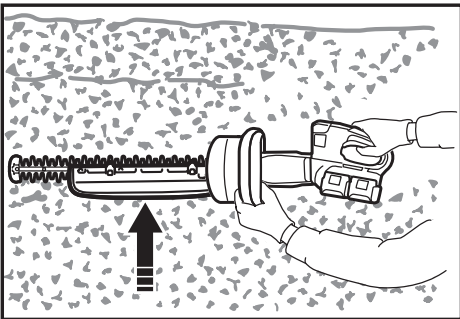


Fig.12

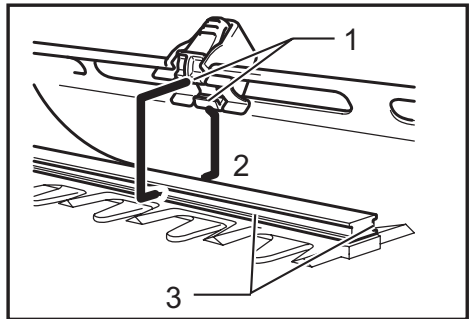


Fig.16

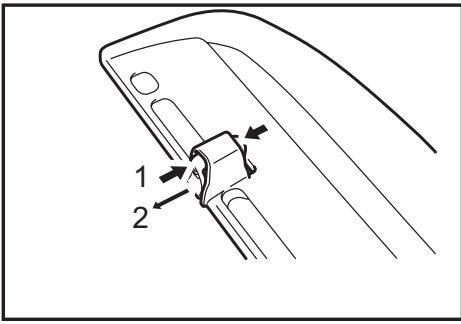


Fig.17

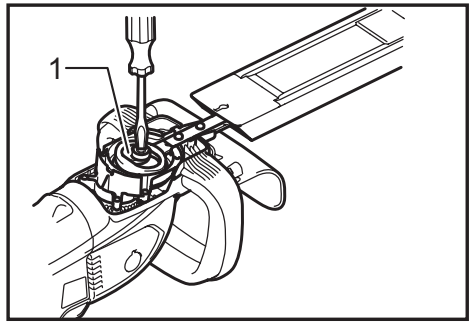


Fig.21

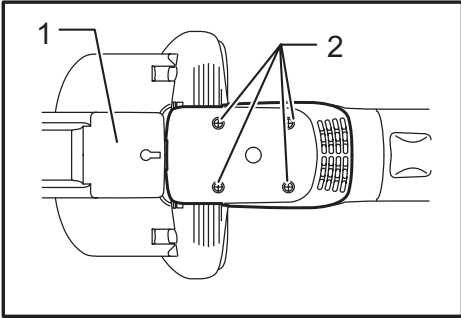


Fig.18

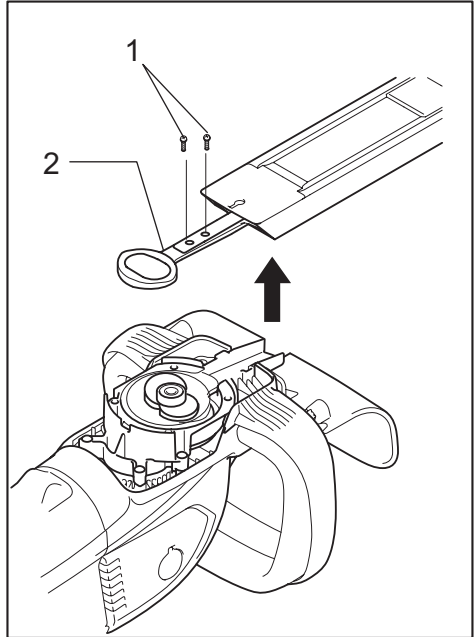


Fig.22

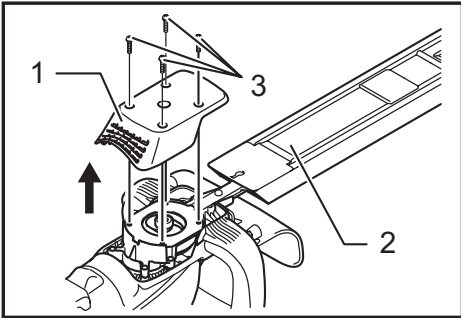


Fig.19

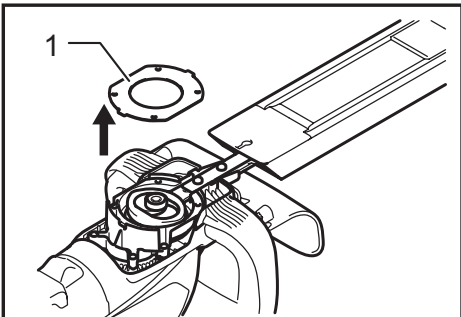


Fig.20

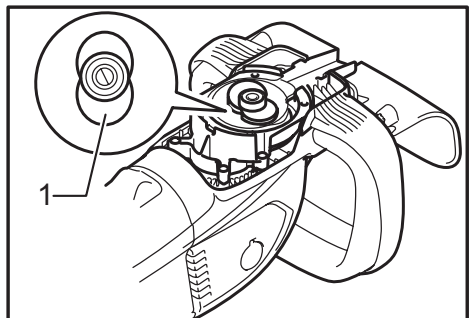


Fig.23

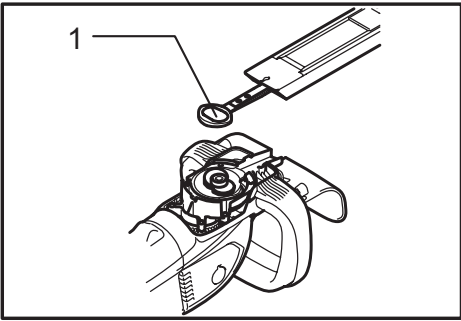


Fig.24

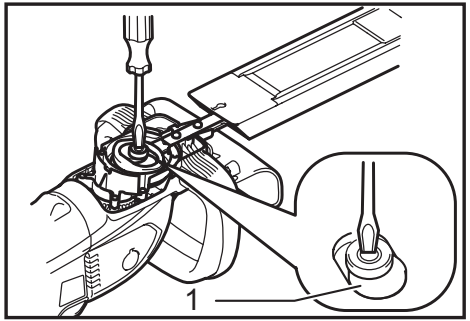


Fig.27

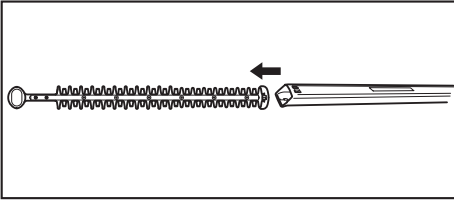


Fig.25

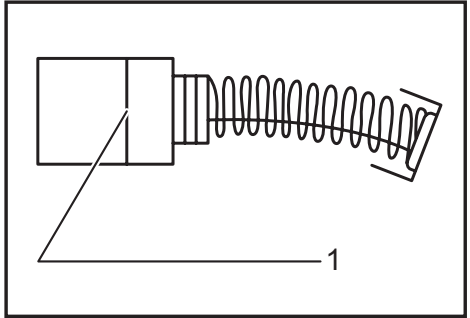


Fig.28

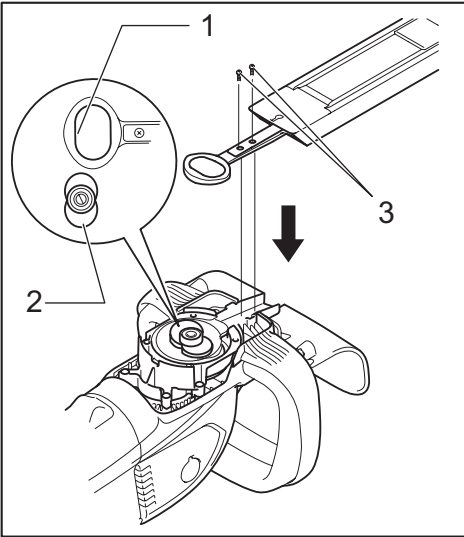


Fig.26

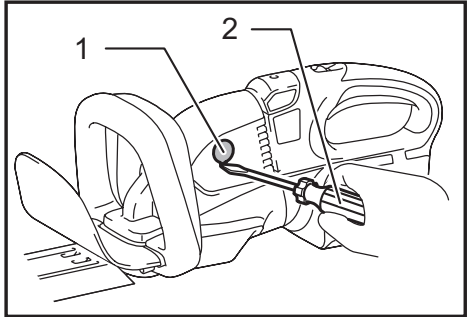


Fig.29

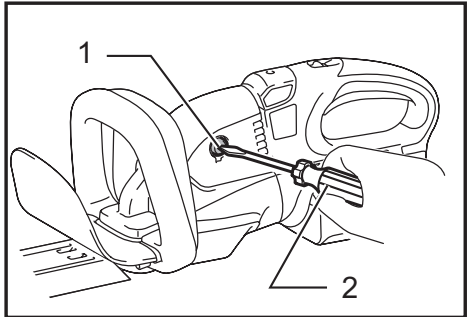


Fig.30

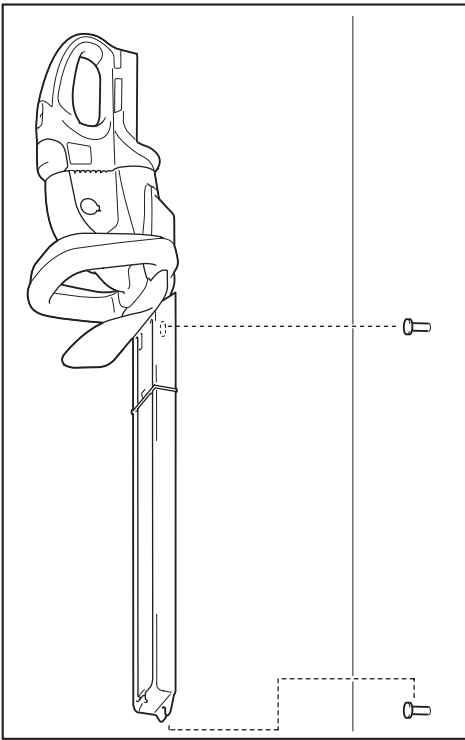


Fig.31

# SPECIFICATIONS

Model	DUH551	DUH651
Blade length	550mm	650 mm
Strokes per minute (min <sup>-1</sup> )	1,000 - 1,800	
Overall length	1,065 mm	1,135 mm
Rated voltage	D.C. 36 V	
Net weight	4.6 - 5.3 kg	4.7 - 5.5 kg

- Due to our continuing program of research and development, the specifications herein are subject to change without notice.
- Specifications may differ from country to country.
- The weight may differ depending on the attachment(s), including the battery cartridge. The lightest and heaviest combination, according to EPTA-Procedure 01/2014, are shown in the table.

## Applicable battery cartridge and charger

Battery cartridge	BL1815N / BL1820 / BL1820B / BL1830 / BL1830B / BL1840 / BL1840B / BL1850 / BL1850B / BL1860B
Charger	DC18RC / DC18RD / DC18RE / DC18SD / DC18SE / DC18SF

- Some of the battery cartridges and chargers listed above may not be available depending on your region of residence.

**⚠WARNING:** Only use the battery cartridges and chargers listed above. Use of any other battery cartridges and chargers may cause injury and/or fire.

Noise	Sound pressure level		Sound power level		Applicable standard or directive
	L <sub>PA</sub> (dB(A))	Uncertainty K (dB(A))	L <sub>PA</sub> (dB(A))	Uncertainty K (dB(A))	
Model					
DUH551	81.5	2.1	91	1.5	2000/14/EC
DUH651	82	1.4	91.1	1.5	

- Wear ear protection.

Vibration	Declared emission (m/s <sup>2</sup> )	Uncertainty K (m/s <sup>2</sup> )	Applicable standard or directive
Model			
DUH551 / DUH651	≤ 2.5	1.5	EN60745-2-15

**NOTE:** The declared vibration emission value has been measured in accordance with the standard test method and may be used for comparing one tool with another.

**NOTE:** The declared vibration emission value may also be used in a preliminary assessment of exposure.

**⚠WARNING:** The vibration emission during actual use of the power tool can differ from the declared emission value depending on the ways in which the tool is used.

**⚠WARNING:** Be sure to identify safety measures to protect the operator that are based on an estimation of exposure in the actual conditions of use (taking account of all parts of the operating cycle such as the times when the tool is switched off and when it is running idle in addition to the trigger time).

## Symbols

The following show the symbols used for the equipment. Be sure that you understand their meaning before use.



Read instruction manual.



Do not expose to moisture.



Ni-MH  
Li-ion

Only for EU countries  
Do not dispose of electric equipment or battery pack together with household waste material! In observance of the European Directives, on Waste Electric and Electronic Equipment and Batteries and Accumulators and Waste Batteries and Accumulators and their implementation in accordance with national laws, electric equipment and batteries and battery pack(s) that have reached the end of their life must be collected separately and returned to an environmentally compatible recycling facility.

## Intended use

The tool is intended for trimming hedges.

## EC Declaration of Conformity

### For European countries only

The EC declaration of conformity is included as Annex A to this instruction manual.

## General Power Tool Safety Warnings

**⚠WARNING** Read all safety warnings and all instructions. Failure to follow the warnings and instructions may result in electric shock, fire and/or serious injury.

**Save all warnings and instructions for future reference.**

## Cordless Hedge Trimmer Safety Warnings

1. **Keep all parts of the body away from the cutter blade. Do not remove cut material or hold material to be cut when blades are moving. Make sure the switch is off when clearing jammed material. Blades coast after turn off.** A moment of inattention while operating the hedge trimmer may result in serious personal injury.
2. **Carry the hedge trimmer by the handle with the cutter blade stopped. When transporting or storing the hedge trimmer always fit the cutting device cover.** Proper handling of the hedge trimmer will reduce possible personal injury from the cutter blades.
3. **Hold the power tool by insulated gripping surfaces only, because the cutter blade may contact hidden wiring.** Cutter blades contacting a "live" wire may make exposed metal parts of the power tool "live" and could give the operator an electric shock.
4. **DANGER - Keep hands away from blade.** Contact with blade will result in serious personal injury.
5. **Do not use the hedge trimmer in the rain or in wet or very damp conditions.** The electric motor is not waterproof.
6. **First-time users should have an experienced hedge trimmer user show them how to use the trimmer.**
7. **The hedge trimmer must not be used by children or young persons under 18 years of age.** Young persons over 16 years of age may be exempted from this restriction if they are undergoing training under the supervision of an expert.
8. **Use the hedge trimmer only if you are in good physical condition.** If you are tired, your attention will be reduced. Be especially careful at the end of a working day. Perform all work calmly and carefully. The user is responsible for all damages to third parties.
9. **Never use the trimmer when under the influence of alcohol, drugs or medication.**
10. **Work gloves of stout leather are part of the basic equipment of the hedge trimmer and must always be worn when working with it. Also wear sturdy shoes with anti-skid soles.**
11. **Before starting work check to make sure that the trimmer is in good and safe working order. Ensure guards are fitted properly. The hedge trimmer must not be used unless fully assembled.**
12. **Make sure you have a secure footing before starting operation.**
13. **Hold the tool firmly when using the tool.**
14. **Do not operate the tool at no-load unnecessarily.**
15. **Immediately switch off the motor and remove the battery cartridge if the cutter should come into contact with a fence or other hard object. Check the cutter for damage, and if damaged repair immediately.**
16. **Before checking the cutter, taking care of faults, or removing material caught in the cutter, always switch off the trimmer and remove the battery cartridge.**
17. **Switch off the trimmer and remove the battery cartridge before doing any maintenance work.**
18. **When moving the hedge trimmer to another location, including during work, always remove the battery cartridge and put the blade cover on the cutter blades. Never carry or transport the trimmer with the cutter running. Never grasp the cutter with your hands.**
19. **Clean the hedge trimmer and especially the cutter after use, and before putting the trimmer into storage for extended periods. Lightly oil the cutter and put on the cover.** The cover supplied with the unit can be hung on the wall, providing a safe and practical way to store the hedge trimmer.
20. **Store the hedge trimmer with the cover on, in a dry room. Keep it out of reach of children. Never store the trimmer outdoors.**
21. **Never point the shear blades to yourself or others.**
22. **If the blades stop moving due to the stuck of foreign objects between the blades during operation, switch off the tool and remove the battery cartridge, and then remove the foreign objects using tools such as pliers.** Removing the foreign objects by hand may cause an injury for the reason that the blades may move in reaction to removing the foreign objects.

## SAVE THESE INSTRUCTIONS.

**⚠WARNING:** DO NOT let comfort or familiarity with product (gained from repeated use) replace strict adherence to safety rules for the subject product. MISUSE or failure to follow the safety rules stated in this instruction manual may cause serious personal injury.

## Important safety instructions for battery cartridge

1. **Before using battery cartridge, read all instructions and cautionary markings on (1) battery charger, (2) battery, and (3) product using battery.**
2. **Do not disassemble battery cartridge.**
3. **If operating time has become excessively shorter, stop operating immediately. It may result in a risk of overheating, possible burns and even an explosion.**



4. If electrolyte gets into your eyes, rinse them out with clear water and seek medical attention right away. It may result in loss of your eyesight.
5. Do not short the battery cartridge:
  - (1) Do not touch the terminals with any conductive material.
  - (2) Avoid storing battery cartridge in a container with other metal objects such as nails, coins, etc.
  - (3) Do not expose battery cartridge to water or rain.

A battery short can cause a large current flow, overheating, possible burns and even a breakdown.

6. Do not store the tool and battery cartridge in locations where the temperature may reach or exceed 50 °C (122 °F).
7. Do not incinerate the battery cartridge even if it is severely damaged or is completely worn out. The battery cartridge can explode in a fire.
8. Be careful not to drop or strike battery.
9. Do not use a damaged battery.
10. The contained lithium-ion batteries are subject to the Dangerous Goods Legislation requirements. For commercial transports e.g. by third parties, forwarding agents, special requirement on packaging and labeling must be observed. For preparation of the item being shipped, consulting an expert for hazardous material is required. Please also observe possibly more detailed national regulations. Tape or mask off open contacts and pack up the battery in such a manner that it cannot move around in the packaging.
11. Follow your local regulations relating to disposal of battery.
12. Use the batteries only with the products specified by Makita. Installing the batteries to non-compliant products may result in a fire, excessive heat, explosion, or leak of electrolyte.

## SAVE THESE INSTRUCTIONS.

**CAUTION:** Only use genuine Makita batteries. Use of non-genuine Makita batteries, or batteries that have been altered, may result in the battery bursting causing fires, personal injury and damage. It will also void the Makita warranty for the Makita tool and charger.

## Tips for maintaining maximum battery life

1. Charge the battery cartridge before completely discharged. Always stop tool operation and charge the battery cartridge when you notice less tool power.
2. Never recharge a fully charged battery cartridge. Overcharging shortens the battery service life.
3. Charge the battery cartridge with room temperature at 10 °C - 40 °C (50 °F - 104 °F). Let a hot battery cartridge cool down before charging it.
4. Charge the battery cartridge if you do not use it for a long period (more than six months).

## FUNCTIONAL DESCRIPTION

### CAUTION:

- Always be sure that the tool is switched off and the battery cartridge is removed before adjusting or checking function on the tool.

## Installing or removing battery cartridge

► Fig.1: 1. Red indicator 2. Button 3. Battery cartridge

### CAUTION:

- Always switch off the tool before installing or removing of the battery cartridge.
- Hold the tool and the battery cartridge firmly when installing or removing battery cartridge. Failure to hold the tool and the battery cartridge firmly may cause them to slip off your hands and result in damage to the tool and battery cartridge and a personal injury.

To remove the battery cartridge, slide it from the tool while sliding the button on the front of the cartridge. To install the battery cartridge, align the tongue on the battery cartridge with the groove in the housing and slip it into place. Insert it all the way until it locks in place with a little click. If you can see the red indicator on the upper side of the button, it is not locked completely.

### CAUTION:

- Always install the battery cartridge fully until the red indicator cannot be seen. If not, it may accidentally fall out of the tool, causing injury to you or someone around you.
- Do not install the battery cartridge forcibly. If the cartridge does not slide in easily, it is not being inserted correctly.

### NOTE:

- The tool does not work with only one battery cartridge.

## Tool/ battery protection system

The tool is equipped with a tool/battery protection system. This system automatically cuts off power to the motor to extend tool and battery life. The tool will automatically stop during operation if the tool or battery are placed under one of the following conditions. In some conditions, the indicators light up.

### Overload protection

When the tool is operated in a manner that causes it to draw an abnormally high current, the tool automatically stops without any indication. In this situation, turn the tool off and stop the application that caused the tool to become overloaded. Then turn the tool on to restart.

### Overheat protection for tool/ battery

When the tool/ battery is overheated, the tool stops automatically without any indication. The tool does not start even if pulling the switch trigger. In this situation, let the tool/ battery cool before turning the tool on again.

**NOTE:** The battery overheat protection works only with a battery cartridge with a star marking.

► **Fig.2:** 1. Star marking

## Overdischarge protection

► **Fig.3:** 1. Battery indicator

When the remaining battery capacity gets low, the battery indicator blinks on the applicable battery side. By further use, the tool stops and the battery indicator lights up about 10 seconds. In this situation, charge the battery cartridge.

## Handle mounting positions

### ⚠ **CAUTION:**

- Always make sure that the handle is locked in the desired position before operation.

► **Fig.4:** 1. Knob 2. Housing

Depending on the operations, you can set the angle of the handle either 45° or 90° position on left or right. To turn the handle, pull the knob and turn the handle as shown in the figure. The handle is locked in 45° position. To turn the handle to 90° position, pull the knob again and turn the handle more.

## Switch action

### ⚠ **CAUTION:**

- Before inserting the battery cartridge into the tool, always check to see that the switch trigger actuates properly and returns to the "OFF" position when released.

► **Fig.5:** 1. Switch trigger B 2. Switch trigger A 3. Lock-off button

For your safety, this tool has a dual switching system. To turn on the tool, press the lock-off button and press the switch trigger A and B. To turn off the switch, release either one of the switch triggers. The tool only starts when pulling the both switch triggers.

## Speed change

► **Fig.6:** 1. Adjusting dial

The strokes per minute can be adjusted just by turning the adjusting dial. This can be done even while the tool is running. The dial is marked 1 (lowest speed) to 6 (full speed).

Refer to the table below for the relationship between the number settings on the adjusting dial and the strokes per minute.

Number on adjusting dial	Strokes per minute (min <sup>-1</sup> )
6	1,800
5	1,750
4	1,650
3	1,500
2	1,300
1	1,000

### ⚠ **CAUTION:**

- The speed adjusting dial can be turned only as far as 6 and back to 1. Do not force it past 6 or 1, or the speed adjusting function may no longer work.
- The strokes per minute vary by the conditions of battery cartridge and shear blades.

## OPERATION

### ⚠ **CAUTION:**

- Be careful not to accidentally contact a metal fence or other hard objects while trimming. The blade will break and may cause serious injury.
- Overreaching with a hedge trimmer, particularly from a ladder, is extremely dangerous. Do not work from anything wobbly or infirm.

**NOTICE:** Do not attempt to cut branches thicker than 10 mm in diameter with the tool. Cut branches to 10 cm lower than the cutting height using branch cutters before using the tool.

► **Fig.7:** (1) Cutting height (2) 10 cm

### ⚠ **CAUTION:**

- Do not cut off dead trees or similar hard objects. Failure to do so may damage the tool.

► **Fig.8**

Hold the trimmer with both hands and pull the switch trigger A or B and then move it in front of your body.

► **Fig.9:** 1. Trimming direction 2. Hedge surface to be trimmed 3. Tilt the blades.

As a basic operation, tilt the blades towards the trimming direction and move it calmly and slowly at the speed rate of 3 - 4 seconds per meter.

► **Fig.10**

To cut a hedge top evenly, it helps to tie a string at the desired hedge height and to trim along it, using it as a reference line.

► **Fig.11**

Attaching the chip receiver (optional accessory) on the tool when trimming the hedge straight can avoid cut off leaves' being thrown away.

► **Fig.12**

Rotate the handle for your easy handling before operation. Refer to the section titled "Handle mounting position".

To cut a hedge side evenly, it helps to cut from the bottom upwards.

► **Fig.13**

Trim boxwood or rhododendron from the base toward the top for a nice appearance and good job.

## Installing or removing chip receiver (optional accessory)

### ⚠ CAUTION:

- Always be sure that the tool is switched off and the battery cartridge is removed before installing or removing chip receiver.

### NOTE:

- When replacing the chip receiver, always wear gloves so that hands and face does not directly contact the blade. Failure to do so may cause personal injury.
- Always be sure to remove the blade cover before installing the chip receiver.
- The chip receiver receives cut-off leaves and alleviates collecting thrown-away leaves. This can be installed on either side of the tool.

► **Fig.14:** 1. Press 2. Chip receiver 3. Nut 4. Shear blade

Press the chip receiver on the shear blades so that its slits overlap with the nuts on the shear blades. At this time, make sure that the chip receiver does not contact branch catcher at the top of the shear blades.

► **Fig.15:** 1. Nut 2. Branch catcher

At this time, the chip receiver needs to be installed so that its hooks fit into grooves in the shear blade unit.

► **Fig.16:** 1. Hooks 2. Fit the hooks into groove 3. Grooves

To remove the chip receiver, press its lever on both sides so that the hooks are unlocked.

► **Fig.17:** 1. Press the levers on both sides 2. Unlock the hooks

### ⚠ CAUTION:

- The blade cover cannot be installed on the tool with the chip receiver being installed. Before carrying or storing, uninstall the chip receiver and then install the blade cover to avoid blade exposure.

### NOTE:

- Check the chip receiver for secure installment before use.
- Never try to uninstall the chip receiver by an excessive force with its hooks locked in the blade unit grooves. Using the excessive force may damage it.

## MAINTENANCE

### ⚠ CAUTION:

- Always be sure that the tool is switched off and the battery cartridge is removed before attempting to perform inspection or maintenance.
- Never use gasoline, benzine, thinner, alcohol or the like. Discoloration, deformation or cracks may result.

## Cleaning the tool

Clean out the tool by wiping off dust with a dry or soap-dipped rag.

## Blade maintenance

Smear the blade before and once per hour during operation using machine oil or similars.

### NOTE:

- Before smearing the blade, remove the chip receiver.

After operation, remove dust from both sides of the blade with wired brush, wipe it off with a rag and then apply enough low-viscosity oil, such as machine oil etc. and spray-type lubricating oil.

### ⚠ CAUTION:

- Do not wash the blades in water. Failure to do so may cause rust or damage on the tool.

**NOTICE: If the parts other than the shear blades such as the crank are worn out, ask Makita Authorized Service Centers for parts replacement or repairs.**

## Removing or installing shear blade

### ⚠ CAUTION:

- Before removing or installing shear blade, always be sure that the tool is switched off and the battery cartridge is removed.
- When replacing the shear blade, always wear gloves without removing blade cover so that hands and face does not directly contact the blade. Failure to do so may cause personal injury.

### NOTE:

- Do not wipe off grease from the gear and crank. Failure to do so may cause damage to the tool.
- For specific way of removing and installing shear blades refer to the reverse of a package for accessory shear blades.

## Removing the shear blades

Reverse the tool and loosen four screws.

► **Fig.18:** 1. Blade cover 2. Screws

### NOTE:

- Be careful not to get your hands dirty as grease is applied in the shear blade driving area.

Remove the under cover.

► **Fig.19:** 1. Under cover 2. Blade cover 3. Screws

Remove the plate.

► **Fig.20:** 1. Plate

Set the crank at the angle as shown in the figure with a slotted screwdriver.

► **Fig.21:** 1. Crank

Remove two screws from the shear blades and the shear blade unit will be taken out.

► **Fig.22:** 1. Screws 2. Shear blade

### **CAUTION:**

- Return the gear to the original position in such a manner as it was installed if it should be taken away by mistake.

## Installing the shear blades

Prepare 4 removed screws (For under cover), 2 screws (For shear blade), plate, under cover, and new shear blades.

Adjust the crank position as shown in the figure. At this time, apply some grease provided with new shear blades to the periphery of the crank.

► **Fig.23:** 1. Crank

Overlap the oval hole in the upper blade with that in the lower one.

► **Fig.24:** 1. Oval hole of shear blade

Take out the blade cover from the old shear blades and fit it onto the new ones for easy handling during the replacement of blades.

► **Fig.25**

Place the new shear blades on the tool so that the oval holes in the shear blades fit onto the crank. Overlap the holes in the shear blades with the screw holes in the tool and then secure them with two screws.

► **Fig.26:** 1. Oval hole of shear blade 2. Crank  
3. Screws

Check the crank for smooth turn with a slotted screwdriver.

► **Fig.27:** 1. Crank

Install the plate, under cover on the tool. Tighten the screw firmly.

### **NOTE:**

- There is no distinction between the top and bottom of the plate.

Remove the blade cover and then turn on the tool to check it for proper movement.

### **NOTE:**

- When the shear blades does not operate properly, there is a poor fit between the blades and crank. Redo from the beginning.

## Replacing carbon brushes

► **Fig.28:** 1. Limit mark

Remove and check the carbon brushes regularly. Replace when they wear down to the limit mark. Keep the carbon brushes clean and free to slip in the holders. Both carbon brushes should be replaced at the same time. Use only identical carbon brushes.

► **Fig.29:** 1. Holder cap cover 2. Slotted screwdriver

Insert the top end of slotted screwdriver into the notch in the tool and remove the holder cap cover by lifting it up.

► **Fig.30:** 1. Brush holder cap 2. Slotted screwdriver

Use a slotted screwdriver to remove the brush holder caps. Take out the worn carbon brushes, insert the new ones and secure the brush holder caps.

Reinstall the holder cap cover on the tool.

## Storage

The hook hole in the bottom of the blade cover is convenient for hanging the tool from a nail or screw on the wall.

► **Fig.31**

Remove the battery cartridge and put the blade cover on the shear blades so that the blades are not exposed. Store the tool out of the reach of children carefully. Store the tool in the place not exposed to water and rain.

To maintain product SAFETY and RELIABILITY, repairs, any other maintenance or adjustment should be performed by Makita Authorized Service Centers, always using Makita replacement parts.

## OPTIONAL ACCESSORIES

### **CAUTION:**

- These accessories or attachments are recommended for use with your Makita tool specified in this manual. The use of any other accessories or attachments might present a risk of injury to persons. Only use accessory or attachment for its stated purpose.

If you need any assistance for more details regarding these accessories, ask your local Makita Service Center.

- Blade cover
- Shear blade assembly
- Makita genuine battery and charger
- Chip receiver

### **NOTE:**

- Some items in the list may be included in the tool package as standard accessories. They may differ from country to country.

## ТЕХНІЧНІ ХАРАКТЕРИСТИКИ

Модель	DUH551	DUH651
Довжина полотна	550 мм	650 мм
Ходів за хвилину (хв. <sup>-1</sup> )	1000 - 1800	
Загальна довжина	1065 мм	1135 мм
Номінальна напруга	36 В пост. струму	
Чиста вага	4,6 - 5,3 кг	4,7 - 5,5 кг

- Оскільки наша програма наукових досліджень і розробок триває безперервно, наведені тут технічні характеристики можуть бути змінені без попередження.
- У різних країнах технічні характеристики можуть бути різними.
- Вага може відрізнятись залежно від допоміжного обладнання, наприклад касети з акумулятором. Найлегші та найважчі комплекти, відповідно до стандарту ЕРТА (Європейська асоціація виробників електронінструменту) від січня 01/2014 року, представлено в таблиці.

### Застосовна касета з акумулятором і зарядний пристрій

Касета з акумулятором	BL1815N / BL1820 / BL1820B / BL1830 / BL1830B / BL1840 / BL1840B / BL1850 / BL1850B / BL1860B
Зарядний пристрій	DC18RC / DC18RD / DC18RE / DC18SD / DC18SE / DC18SF

- Деякі касети з акумулятором і зарядні пристрої, які вказано вище, можуть бути недоступними залежно від вашого регіону або місця перебування.

**⚠ ПОПЕРЕДЖЕННЯ:** Використовуйте лише касети з акумулятором і зарядні пристрої, перелічені вище. Використання будь-яких інших касет з акумулятором і зарядних пристроїв може призвести до травмування й/або пожежі.

Шум	Рівень звукового тиску		Рівень акустичної потужності		Застосовний стандарт або директива
	L <sub>PA</sub> (дБ (А))	Похибка К (дБ (А))	L <sub>PA</sub> (дБ (А))	Похибка К (дБ (А))	
Модель					
DUH551	81,5	2,1	91	1,5	2000/14/EC
DUH651	82	1,4	91,1	1,5	

- Використовуйте засоби захисту органів слуху.

Вібрація	Заявлена вібрація (м/с <sup>2</sup> )	Похибка К (м/с <sup>2</sup> )	Застосовний стандарт або директива
Модель			
DUH551 / DUH651	≤ 2,5	1,5	EN60745-2-15

**ПРИМІТКА:** Заявлене значення вібрації було виміряно у відповідності до стандартних методів тестування та може використовуватися для порівняння одного інструмента з іншим.

**ПРИМІТКА:** Заявлене значення вібрації може також використовуватися для попередньої оцінки впливу.

**⚠ ПОПЕРЕДЖЕННЯ:** Залежно від умов використання вібрація під час фактичної роботи інструмента може відрізнятись від заявленого значення вібрації.

**⚠ ПОПЕРЕДЖЕННЯ:** Забезпечте належні запобіжні заходи для захисту оператора, що відповідають умовам використання інструмента (слід брати до уваги всі складові робочого циклу, такі як час, коли інструмент вимкнено та коли він починає працювати на холостому ході під час запуску).

### СИМВОЛИ

Далі наведено символи, які застосовуються для позначення обладнання. Перед користуванням переконайтеся, що ви розумієте їхнє значення.



Читайте посібник з експлуатації.



Не піддавайте впливу вологи.



Тільки для країн ЄС

Не викидайте електроприлади або акумуляторні батареї разом із побутовим сміттям! Згідно з Європейськими директивами про утилізацію електричного та електронного обладнання та про утилізацію батарей і акумуляторів, а також батарей та акумуляторів, термін служби яких закінчився, та їх використанням із дотриманням національних законів, електричне обладнання, батареї та акумулятори, термін служби яких закінчився, потрібно збирати окремо та відправляти на екологічно чисті підприємства з їхньої переробки.

## Призначення

Інструмент призначено для підрізання живоплоту.

## Декларація про відповідність стандартам ЄС

Тільки для країн Європи

Декларація про відповідність стандартам ЄС наведено в Додатку А до цієї інструкції з експлуатації.

## Застереження стосовно техніки безпеки при роботі з електроприладами

**УВАГА!** Прочитайте усі застереження стосовно техніки безпеки та всі інструкції. Недотримання даних застережень та інструкцій може призвести до ураження струмом та виникнення пожежі та/або серйозних травм.

**Збережіть усі інструкції з техніки безпеки та експлуатації на майбутнє.**

## Попередження про необхідну обережність під час роботи з акумуляторною пилою для підрізання живоплоту

1. Тримайте всі частини тіла на відстані від леза різака. Не видаляйте зрізаний матеріал і не притримуйте матеріал, який ви хочете зрізати, під час руху полотна. Полотно рухається за інерцією після вимкнення. Обов'язково переконайтеся в тому, що вимикач перебуває у вимкненому положенні під час видалення застряглого матеріалу. Одна мить необережності під час роботи з пилою для підрізання живоплоту може призвести до серйозної травми.
2. У разі перенесення тримайте пилу за ручку, якщо лезо різака не рухається. Під час транспортування або зберігання інструмента завжди закривайте різальну частину кришкою. Правильне поводження з інструментом зменшить ризик травмування лезом різака.
3. Електроінструмент слід тримати тільки за ізольовані поверхні держача, оскільки лезо різака може зачепити сховану електропроводку. Торкання лезом різака до струмовідної проводки може призвести до передання напруги до оголених металевих частин електроінструмента та до ураження оператора електричним струмом.

4. **НЕБЕЗПЕЧНО - Тримайте руки подалі від ножового полотна.** Контакт із полотном призведе до серйозної травми.
5. **Не використовуйте пилу під час дощу або за умов високої вологості чи вогкості.** Електричний двигун не є водостійким.
6. **У разі використання інструмента користувачами-початківцями, досвідченим користувач повинен показати, як правильно працювати з інструментом.**
7. **Дітям і підліткам молодшим 18 років забороняється користуватися пилою.** Цю заборону може бути знято з молодих людей віком понад 16 років під час проходження практики під наглядом майстра.
8. **Працювати з пилою можна, лише якщо ви в хорошому фізичному стані.** Якщо ви втомилися, ваша увага знижена. Будьте особливо обережними наприкінці робочого дня. Усю роботу виконуйте спокійно та обережно. Користувач несе відповідальність за будь-яку шкodu, завдану іншим особам.
9. **Забороняється працювати з пилою після вживання алкоголю, ліків або медичних препаратів.**
10. **Робочі рукавиці з міцною гумою входять до набору обладнання пили; обов'язково вдягайте їх під час роботи з нею.** Взуття має бути міцним, із підшовами, що не ковзають.
11. **Перед початком роботи перевірте, чи справна пила та чи в належному вона робочому стані. Перевірте, чи правильно закріплені запобіжні деталі корпусу. Пилу для підрізання живоплоту можна використовувати тільки в повністю зібраному стані.**
12. **Перед початком роботи переконайтеся, що ви стоїте на надійній поверхні.**
13. **Під час роботи міцно тримайте інструмент.**
14. **Без потреби не допускайте, щоб інструмент працював без навантаження.**
15. **Негайно вимкніть двигун і змініть касету з акумулятором, якщо різак доторкнеться до паркану або до іншого твердого предмета. Перевірте різак на наявність пошкоджень — якщо він пошкоджений, негайно полагодьте його.**
16. **Перед перевіркою різака, усуненням поломки чи видаленням матеріалу, що застряг у різак, завжди вимикайте пилу та знімайте касету з акумулятором.**
17. **Вимикайте пилу та знімайте касету з акумулятором, перш ніж виконувати технічне обслуговування.**
18. **Під час переміщення пили для підрізання живоплоту в інше місце, зокрема під час роботи, завжди знімайте касету з акумулятором і встановлюйте кришку на лезо різака. Ніколи не переносьте та не перевозьте пилу для підрізання живоплоту з різакom, який працює. Ніколи не тримайте касету за різак руками.**
19. **Почистіть пилу, особливо різак, після використання та перед тим, як покласти інструмент для довготривалого зберігання. Злегка змастіть різак і накрийте його кришкою. Кришку, що додається до обладнання, можна повісити на стіні, що забезпечує безпечне та практичне зберігання пили.**

20. Зберігайте пилу в чохлах в сухому приміщенні. Тримайте інструмент у недоступному для дітей місці. Пилу збороняється зберігати на відкритому повітрі.
21. Ніколи не направляйте леза секатора на себе або інших людей.
22. Якщо під час роботи ножі зупиняються внаслідок потрапляння між ними сторонніх предметів, вимкніть інструмент і витягніть касету з акумулятором, після чого видаліть сторонні предмети, наприклад, плоскобцями. Видалення сторонніх предметів руками пов'язане з ризиком травмування, оскільки під час видалення сторонніх предметів ножі можуть зміститися.

## ЗБЕРІГАЙТЕ ЦІ ВКАЗІВКИ.

**▲ПОПЕРЕДЖЕННЯ:** Ніколи не втрачайте пильності та не розслаблюйтеся під час користування виробом (що можливо при частому використанні); обов'язково строго дотримуйтеся відповідних правил безпеки. **НЕНАЛЕЖНЕ ВИКОРИСТАННЯ** або недотримання правил техніки безпеки, викладених у цій інструкції з експлуатації, може призвести до серйозних травм.

### Важливі інструкції з безпеки для касети з акумулятором

1. Перед тим як користуватися касетою з акумулятором, слід прочитати всі інструкції та застережні знаки щодо (1) зарядного пристрою акумулятора, (2) акумулятора та (3) виробів, що працюють від акумулятора.
2. Не слід збирати касету з акумулятором.
3. Якщо період роботи дуже покоротшав, слід негайно припинити користування. Це може призвести до виникнення ризику перегріву, опіку та навіть вибуху.
4. У разі потрапляння електроліту в очі слід промити їх чистою водою та негайно звернутися до лікаря. Це може призвести до втрати зору.
5. Не закоротіть касету з акумулятором.
  - (1) Не слід торкатися клем будь-яким струмопровідним матеріалом.
  - (2) Не слід зберігати касету з акумулятором у ємності з іншими металевими предметами, такими як цвяхи, монети тощо.
  - (3) Не залишайте касету з акумулятором під дощем, запобігайте контакту з водою.

Коротке замикання може призвести до появи значного струму, перегріву, можливих опіків та навіть виходу з ладу.
6. Не слід зберігати інструмент та касету з акумулятором в місцях, де температура може сягнути чи перевищити 50°C (122°F).
7. Не слід спалювати касету з акумулятором, навіть якщо вона була неодноразово пошкоджена або повністю спрацьована. Касета з акумулятором може вибухнути у вогні.

8. Не слід кидати або ударяти акумулятор.
9. Не слід використовувати пошкоджений акумулятор.
10. Літій-іонні акумулятори, що містяться в інструменті, мають відповідати вимогам законів про небезпечні товари. Під час транспортування за допомогою комерційних перевезень, наприклад із залученням третьої сторони та експедиторів, необхідно дотримуватись особливих вимог, вказаних на пакуванні й у маркуванні. Під час підготування позиції до відправлення необхідно проконсультуватись зі спеціалістом з небезпечних матеріалів. Крім того, слід виконувати більш докладні національні настанови, якщо такі є. Заклейте відкриті контакти стрічкою або заховайте їх і запакуйте акумулятор таким чином, щоб він не міг рухатися в пакуванні.
11. Дотримуйтеся норм місцевого законодавства щодо утилізації акумуляторів.
12. Використовуйте акумулятори лише з виробами, указаними компанією Makita. Установлення акумуляторів у невідповідні виробу може призвести до пожежі, надмірного нагрівання, вибуху чи витoku електроліту.

## ЗБЕРІГАЙТЕ ЦІ ВКАЗІВКИ.

**▲ОБЕРЕЖНО:** Використовуйте тільки акумулятори Makita. Використання акумуляторів, інших ніж оригінальні акумулятори Makita, або акумуляторів, конструкцію яких було змінено, може призвести до вибуху акумулятора і спричинити пожежу, травму або пошкодження. У зв'язку з цим також буде анульовано гарантію Makita на інструмент Makita і на зарядний пристрій.

## Поради з забезпечення максимального строку експлуатації акумулятора

1. Касету з акумулятором слід заряджати до того, як він розрядиться повністю. Завжди слід зупиняти роботу інструмента та зарядити акумулятор, якщо ви помітили зменшення потужності інструмента.
2. Ніколи не слід заряджати повторно повністю заряджену касету з акумулятором. Перезарядження скорочує строк експлуатації акумулятора.
3. Заряджайте касету з акумулятором при кімнатній температурі 10°C—40°C (50°F—104°F). Перед тим як заряджати касету з акумулятором, слід зачекати, доки вона охолоне.
4. Якщо касета з акумулятором не використовувалася тривалий час (понад шість місяців), її слід зарядити.

## ІНСТРУКЦІЯ З ВИКОРИСТАННЯ

### ⚠ ОБЕРЕЖНО:

- Завжди перевіряйте, щоб прилад був вимкнений, а касета з акумулятором була знята, перед регулюванням або перевіркою функціонування інструмента.

### Встановлення та зняття касети з акумулятором

- **Рис. 1:** 1. Червоний індикатор 2. Кнопка 3. Касета з акумулятором

### ⚠ ОБЕРЕЖНО:

- Завжди вимикайте інструмент перед встановленням або зніманням касети з акумулятором.
- Під час встановлення або зняття касети з акумулятором надійно утримуйте інструмент і касету з акумулятором. Інакше інструмент або касета з акумулятором можуть вислизнути з рук, що може призвести до травм або пошкодження інструмента й касети з акумулятором.

Щоб зняти касету з акумулятором, слід витягнути її з інструмента, натиснувши на кнопку в передній частині касети.

Щоб установити касету з акумулятором, слід сумістити шпонку касети з акумулятором із пазом у корпусі та вставити касету на місце. Уставляйте її, доки не почуєте клацання. Якщо на верхній частині кнопки видно червоний індикатор, це означає, що вона заблокована не повністю.

### ⚠ ОБЕРЕЖНО:

- Завжди уставляйте касету повністю, аж поки червоний індикатор стане невидимим. Якщо цього не зробити, касета може випадково випасти з інструмента та завдати травми вам або людям, що знаходяться поруч.
- Не встановлюйте касету з акумулятором із зусиллями. Якщо касета не вставляється легко, то це означає, що Ви її невірно вставляєте.

### ПРИМІТКА:

- Інструмент не працює тільки з однією касетою з акумулятором.

### Система захисту інструмента/акумулятора

Інструмент оснащено системою захисту інструмента/акумулятора. Ця система автоматично вимикає живлення двигуна з метою збільшення терміну служби інструмента та акумулятора.

Інструмент автоматично вимикається під час роботи, якщо він або акумулятор перебувають у зазначених нижче умовах. Під час перебування в певних умовах загоряються індикатори.

### Захист від перенавантаження

Якщо інструмент використовується в умовах надмірного споживання струму, він автоматично вимикається без будь-якого попередження. У такому випадку вимкніть інструмент і зупиніть роботу, під час виконання якої інструмент зазнав перенавантаження. Щоб перезапустити інструмент, увімкніть його знову.

### Захист від перегріву інструмента/акумулятора

У разі перегріву інструмента/акумулятора інструмент зупиняється автоматично без будь-якого попередження. Інструмент не запускається навіть натисканням на курок вмикача. У такому разі дозвольте інструменту/акумулятору охолонути, перш ніж знову увімкнути інструмент.

**ПРИМІТКА:** Захист акумулятора від перегріву працює тільки у тому випадку, якщо використовується касета з акумулятором із символом зірочки.

- **Рис. 2:** 1. Маркувальна зірочка

### Захист від надмірного розрядження

- **Рис. 3:** 1. Індикатор акумулятора

Коли потужність акумулятора знижується, на боці відповідного акумулятора починає мигати індикатор заряду акумулятора. Перед тим як інструмент можна буде знову використовувати, інструмент вимикається і індикатор заряду акумулятора горить приблизно 10 секунд. У такому разі необхідно зарядити касету з акумулятором.

### Положення встановлення рукоятки

### ⚠ ОБЕРЕЖНО:

- Перед початком роботи слід завжди перевіряти, щоб рукоятка була заблокована в необхідному положенні.

- **Рис. 4:** 1. Ручка 2. Корпус

Залежно від виконаної операції рукоятку можна встановити під кутом 45° або 90° праворуч або ліворуч. Для того щоб повернути рукоятку, потягніть за виступ і поверніть рукоятку, як показано на малюнку. Рукоятка буде зафіксована під кутом 45°. Для того щоб повернути рукоятку в положення 90°, потягніть за виступ ще раз та більше поверніть рукоятку.

### Дія вмикача

### ⚠ ОБЕРЕЖНО:

- Перед тим, як вставляти касету з акумулятором в інструмент, слід перевірити належну роботу курка вмикача, тобто щоб він повертався у положення "ВИМК.", коли його відпускають.

- **Рис. 5:** 1. Курковий вмикач В 2. Курковий вмикач А 3. Кнопка блокування вимкненого положення



Для Вашої безпеки інструмент обладнаний подвійною системою вмикання. Для того щоб увімкнути інструмент, натисніть кнопку блокування та натисніть курковий вмикач А та В. Для того щоб вимкнути, відпустіть один із куркових вмикачів. Інструмент запускається тільки, коли натиснуті обидва куркові вмикачі.

## Зміна швидкості

► **Рис.6:** 1. Диск для регулювання

Кількість ходів за хвилину можна регулювати просто повертаючи диск регулювання. Це можна робити навіть під час роботи інструмента. Диск пронумерований від 1 (найнижча швидкість) до 6 (найвища швидкість). Співвідношення між номером на диску та кількістю ходів за хвилину дивіться в таблиці нижче.

Номер на регулюючому диску	Ходів за хвилину (хв. <sup>-1</sup> )
6	1800
5	1750
4	1650
3	1500
2	1300
1	1000

### ⚠ ОБЕРЕЖНО:

- Диск регулювання швидкості можна повертати тільки від 1 до 6 та назад. Не намагайтесь повернути його силою за межу 1 або 6, бо це може зламати функцію регулювання.
- Кількість рухів за хвилину може відрізнятись залежно від стану ножового полотна та касети з акумулятором.

## ЗАСТОСУВАННЯ

### ⚠ ОБЕРЕЖНО:

- Будьте обережні: не допускайте випадкового контакту з металом або іншими твердими предметами під час проведення підрізування. Ріжуче полотно може зламатися та завдати серйозної травми.
- Не працюйте з ланцюговою пилою, дотягуючись до віддалених зон, особливо стоячи на драбині: це надзвичайно небезпечно. Під час роботи не стійте на нестійкій або неміцній поверхні.

**УВАГА:** Не намагайтесь зрізати пилою гілки, товстіші за 10 мм у діаметрі. Перш ніж скористатися цим інструментом, підріжте такі гілки на 10 см нижче висоти різання за допомогою садових ножиць.

► **Рис.7:** (1) Висота різання (2) 10 см

### ⚠ ОБЕРЕЖНО:

- Не зрізайте засохлі дерева чи інші подібні тверді предмети. Недотримання цієї інструкції може призвести до пошкодження інструменту.

► **Рис.8**

Утримуючи інструмент двома руками, натисніть на куркові вмикачі А та В, потім переміщуйте інструмент перед собою.

► **Рис.9:** 1. Напрямок підрізування 2. Поверхня живоплоту, яку необхідно підрізати 3. Нахиліть ножове полотно.

У порядку стандартної дії при роботі, нахиліть ріжуче полотно у напрямку проведення підрізування, рухайте ним спокійно та повільно при швидкості з розрахунку 3 - 4 секунди на метр.

► **Рис.10**

Щоб рівномірно підрізати верхню частину живоплоту, рекомендується прив'язати мотузку на бажаній висоті живоплоту та провести підрізання вздовж неї, використовуючи її у якості орієнтиру.

► **Рис.11**

Щоб запобігти розкиданню обрізаного листя, на інструмент можна прикріпити уловлювач скалок (додаткове приладдя).

► **Рис.12**

Перед виконанням робіт поверніть рукоятку в зручне для Вас положення. Див. розділ "Положення встановлення рукоятки".

Щоб рівномірно підрізати бокову частину живоплоту, рекомендується проводити підрізування у напрямку знизу вгору.

► **Рис.13**

Підрізайте самшит або рододендрон у напрямку від основи догори, щоб у результаті досягнути гарного вигляду та отримати хороші результати роботи.

## Установлення або знімання уловлювача скалок (додаткове приладдя)

### ⚠ ОБЕРЕЖНО:

- Завжди перевіряйте, щоб інструмент був вимкнений, а акумулятор був знятий, перед встановленням або зняттям уловлювача скалок.

### ПРИМІТКА:

- При заміні уловлювача скалок завжди одягайте рукавиці, щоб уникнути прямого контакту рук та обличчя з ріжучим полотном. Недотримання цієї інструкції може призвести до травмування.
- Перед встановленням уловлювача скалок завжди знімайте кришку ножового полотна.
- Уловлювач скалок уловлює зрізане листя і полегшує збирання зрізаного листя. Його можна встановити з будь-якого боку інструменту.

► **Рис.14:** 1. Натиснути 2. Уловлювач скалок 3. Гайка 4. Ножове полотно

Притисніть уловлювач скалок до ножового полотна таким чином, щоб його прорізи перекривали гайки ножового полотна. При цьому не допускайте контакту уловлювача скалок із захватом для гілок зверху ножового полотна.

► **Рис.15:** 1. Гайка 2. Захват для гілок

При цьому уловлювач скалок необхідно встановити таким чином, щоб його гачки увійшли в пази на механізмі ножового полотна.

- **Рис.16:** 1. Кріплення 2. З'єднайте гачки з пазом 3. Пази

Для того щоб зняти уловлювач скалок, натисніть на його важіль з обох боків, так щоб його гачки від'єдналися.

- **Рис.17:** 1. Натисніть важелі з обох боків 2. Від'єднайте гачки

#### **⚠ОБЕРЕЖНО:**

- Кришка ножового полотна не може бути встановлена на інструмент, якщо на ньому встановлений уловлювач скалок. Перед тим як перенести або покласти інструмент на зберігання, знімайте уловлювач скалок та встановлюйте кришку ножового полотна, щоб сховати ножове полотно.

#### **ПРИМІТКА:**

- Перевірте, чи надійно встановлено уловлювач скалок, перед тим як почати роботу.
- Ніколи не намагайтеся зняти уловлювач скалок, прикладаючи надмірну силу, щоб від'єднати його гачки від пазів ріжучого механізму: використання надмірної сили може призвести до його пошкодження.

## ТЕХНІЧНЕ ОБСЛУГОВУВАННЯ

#### **⚠ОБЕРЕЖНО:**

- Завжди перевіряйте, щоб прилад був вимкнений, а касета з акумулятором була знята, перед проведенням перевірки або обслуговування.
- Ніколи не використовуйте газолін, бензин, розріджувач, спирт та подібні речовини. Їх використання може призвести до зміни кольору, деформації та появи тріщин.

## Чистка інструменту

Проводьте чистку інструменту, витираючи пил сухою або змоченою в милі ганчіркою.

## Технічне обслуговування ножового полотна

Змащуйте полотно мастилом або аналогічним засобом перед початком роботи та через кожну годину під час роботи.

#### **ПРИМІТКА:**

- Перш ніж проводити змащення ножового полотна, необхідно зняти уловлювач скалок.

Після роботи слід видалити пил з обох боків ножового полотна за допомогою дротяної щітки, протерти його ганчіркою, після чого необхідно нанести достатню кількість мастила з низькою в'язкістю, наприклад машинного мастила тощо, та змащувального матеріалу, що розпиляється.

#### **⚠ОБЕРЕЖНО:**

- Не мийте ріжуче полотно у воді. Недотримання цієї інструкції може призвести до утворення іржі та пошкодження інструменту.

**УВАГА:** У разі зношення будь-яких деталей інструмента (крім лез секатора), наприклад кривошипа, зверніться до авторизованого сервісного центру Makita, щоб їх замінити або відремонтувати.

## Знімання та установка ножового полотна

#### **⚠ОБЕРЕЖНО:**

- Перед зняттям чи встановленням ножового полотна завжди перевіряйте, щоб інструмент був вимкнений, а акумулятор знятий.
- При заміні ножового полотна завжди носіть рукавиці, не знімаючи кришку, щоб уникнути прямого контакту рук і обличчя з ріжучим полотном. Недотримання цієї інструкції може призвести до травмування.

#### **ПРИМІТКА:**

- Не витирайте мастило з зубчатої передачі та кривошипного механізму. Недотримання цієї інструкції може призвести до пошкодження інструменту.
- Для того, щоб ознайомитися з детальною інформацією щодо способу знімання та установки ножового полотна, дивіться зворотну сторону упаковки для додаткового ножового полотна.

## Знімання ножового полотна

Перевірте інструмент та ослабте чотири гвинти.

- **Рис.18:** 1. Кришка диску 2. Гвинти

#### **ПРИМІТКА:**

- Будьте обережні, не забрудніть руки, так як приводна частина механізму ножового полотна змащена мастилом.

Зніміть внутрішню кришку.

- **Рис.19:** 1. Нижня кришка 2. Кришка диску 3. Гвинти

Зніміть пластину.

- **Рис.20:** 1. Плита

Установіть кривошипний механізм під кутом, як показано на малюнку, за допомогою шліцьової викрутки.

- **Рис.21:** 1. Кривошипний механізм

Відгвинтіть два гвинти з ножового полотна, після чого механізм ножового полотна можна буде зняти.

- **Рис.22:** 1. Гвинти 2. Ножове полотно

#### **⚠ОБЕРЕЖНО:**

- Поверніть зубчасту передачу у вихідне положення, в яке вона була попередньо встановлена, у разі, якщо її помилково було з нього виведено.

## Установлення ножового полотна

Підготуйте 4 раніше зняті гвинти (для нижньої кришки), 2 гвинти (для ножового полотна), пластину, нижню кришку та нове ножове полотно.

Поправте положення кривошипного механізму, як вказано на малюнку. При цьому нанесіть мастило, що додається до нового ножового полотна, по краях кривошипного механізму.

► **Рис.23:** 1. Кривошипний механізм

Сумістіть овальний отвір у верхньому ріжучому полотні з відповідним отвором у нижньому.

► **Рис.24:** 1. Овальний отвір в ножовому полотні

Візьміть кришку від старого ріжучого полотна та встановіть його на нове для зручності під час маніпуляції з заміни полотна.

► **Рис.25**

Встановіть нове ножове полотно на інструмент, так щоб овальні отвори у ножовому полотні співпадали з кривошипним механізмом. Сумістіть отвори у ножовому полотні з гвинтовими отворами в інструменті та скріпіть їх двома гвинтами.

► **Рис.26:** 1. Овальний отвір в ножовому полотні  
2. Кривошипний механізм 3. Гвинти

Перевірте кривошипний механізм на предмет плавного обертання за допомогою шліцьової викрутки.

► **Рис.27:** 1. Кривошипний механізм

Встановіть пластину та нижню кришку на інструмент. Надійно затягніть гвинт.

### ПРИМІТКА:

- Верхня та нижня сторони пластини не мають відмінностей.

Зніміть кришку ріжучого полотна, після чого увімкніть інструмент, щоб перевірити, що полотно рухається відповідним чином.

### ПРИМІТКА:

- Якщо ножове полотно рухається невідповідним чином, це говорить про неточне суміщення між полотном і кривошипним механізмом. Повторіть дії згідно з цією інструкцією спочатку.

## Заміна вугільних щіток

► **Рис.28:** 1. Обмежувальна відмітка

Регулярно знімайте та перевіряйте вугільні щітки. Заміняйте їх, коли знос сягає граничної відмітки. Вугільні щітки повинні бути чистими та вільно рухатись у щіткотримачах. Одночасно треба замінювати обидві вугільні щітки. Використовуйте лише однакові вугільні щітки.

► **Рис.29:** 1. Кришка ковпачка держака 2. Шліцьова викрутка

Уставте верхній кінець шліцьової викрутки у проріз на інструменті та зніміть кришку ковпачка тримача, піднявши її.

► **Рис.30:** 1. Ковпачок щіткотримача 2. Шліцьова викрутка

Зніміть ковпачки щіткотримачів за допомогою шліцьової викрутки. Зніміть зношені вугільні щітки, уставте нові та закріпіть ковпачки щіткотримачів. Встановіть кришку ковпачка держака назад на інструмент.

## Зберігання

Отвір в нижній частині кришки ріжучого полотна пристосовано для того, щоб інструмент можна було повісити на стіні на цвях або шуруп.

► **Рис.31**

Зніміть акумулятор та встановіть кришку на ножове полотно, так щоб закрити його. Зберігає інструмент у недоступному для дітей місці.

Зберігайте інструмент у місці, що не зазнає впливу води та дощу.

Для того, щоб підтримувати БЕЗПЕКУ та НАДІЙНІСТЬ, ремонт, технічне обслуговування або регулювання мають виконувати уповноважені центри обслуговування "Макіта", де використовуються лише стандартні запчастини "Макіта".

## ДОДАТКОВЕ ПРИЛАДДЯ

### ⚠ОБЕРЕЖНО:

- Це оснащення або приладдя рекомендовано для використання з інструментами "Макіта", що описані в інструкції з експлуатації. Використання якогось іншого оснащення або приладдя може спричинити травмування. Оснащення або приладдя слід використовувати лише за призначенням.

У разі необхідності, отримати допомогу в більш детальному ознайомленні з оснащенням звертайтеся до місцевого Сервісного центру "Макіта".

- Кришка полотна
- Комплект ножового полотна
- Оригінальний акумулятор та заряджаючий пристрій Makita
- Уловлювач скалок

### ПРИМІТКА:

- Деякі елементи списку можуть входити до комплекту інструмента як стандартне приладдя. Вони можуть відрізнитися залежно від країни.

## SPECYFIKACJE

Model	DUH551	DUH651
Długość belki nożowej	550 mm	650 mm
Liczba oscylacji na minutę (min <sup>-1</sup> )	1 000 - 1 800	
Długość całkowita	1 065 mm	1 135 mm
Napięcie znamionowe	Prąd stały 36 V	
Ciężar netto	4,6 - 5,3 kg	4,7 - 5,5 kg

- W związku ze stale prowadzonym przez naszą firmę programem badawczo-rozwojowym niniejsze dane mogą ulec zmianom bez wcześniejszego powiadomienia.
- Dane techniczne mogą różnić się w zależności od kraju.
- Masa może być różna w zależności od osprzętu, w tym akumulatora. W tabeli przedstawiona jest najlżejsza i najcięższa konfiguracja, zgodnie z procedurą EPTA 01/2014.

## Kompatybilne akumulatory i ładowarki

Akumulator	BL1815N / BL1820 / BL1820B / BL1830 / BL1830B / BL1840 / BL1840B / BL1850 / BL1850B / BL1860B
Ładowarka	DC18RC / DC18RD / DC18RE / DC18SD / DC18SE / DC18SF

- Pewne z wymienionych powyżej akumulatorów i ładowarek mogą być niedostępne w regionie zamieszkania użytkownika.

### **⚠ OSTRZEŻENIE:** Należy używać wyłącznie akumulatorów i ładowarek wymienionych powyżej.

Używanie innych akumulatorów i ładowarek może stwarzać ryzyko wystąpienia obrażeń ciała lub pożaru.

Hałas	Poziom ciśnienia akustycznego		Poziom dźwięku w trakcie pracy		Stosowna norma lub dyrektywa
	L <sub>PA</sub> (dB (A))	Niepewność K (dB (A))	L <sub>PA</sub> (dB (A))	Niepewność K (dB (A))	
Model					
DUH551	81,5	2,1	91	1,5	2000/14/EC
DUH651	82	1,4	91,1	1,5	

- Nosić środki ochrony słuchu.

Drgania	Emisja deklarowana (m/s <sup>2</sup> )	Niepewność K (m/s <sup>2</sup> )	Stosowna norma lub dyrektywa
Model			
DUH551 / DUH651	≤ 2,5	1,5	EN60745-2-15

**WSKAZÓWKA:** Deklarowana wartość wytwarzanych drgań została zmierzona zgodnie ze standardową metodą testową i można ją wykorzystać do porównywania narzędzi.

**WSKAZÓWKA:** Deklarowaną wartość wytwarzanych drgań można także wykorzystać we wstępnej ocenie narażenia.

**⚠ OSTRZEŻENIE:** Drgania wytwarzane podczas rzeczywistego użytkowania elektronarzędzia mogą się różnić od wartości deklarowanej, w zależności od sposobu jego użytkowania.

**⚠ OSTRZEŻENIE:** W oparciu o szacowane narażenie w rzeczywistych warunkach użytkowania należy określić środki bezpieczeństwa w celu ochrony operatora (uwzględniając wszystkie elementy cyklu działania, tj. czas, kiedy narzędzie jest wyłączone i kiedy pracuje na biegu jałowym, a także czas, kiedy jest włączone).

## Symbole

Poniżej pokazano symbole zastosowane na urządzeniu. Przed rozpoczęciem użytkowania należy zapoznać się z ich znaczeniem.



Przeczytać instrukcję obsługi.



Chronić przed wilgocią.



Ni-MH  
Li-ion

Dotyczy tylko państw UE

Nie wyrzucać urządzeń elektrycznych ani akumulatorów wraz z odpadami z gospodarstwa domowego! Zgodnie z dyrektywami europejskimi w sprawie zużytego sprzętu elektrycznego i elektronicznego oraz baterii i akumulatorów oraz zużytych baterii i akumulatorów, a także dostosowaniem ich do prawa krajowego, zużyte urządzenia elektryczne, baterie i akumulatory, należy składować osobno i przekazywać do zakładu recyklingu działającego zgodnie z przepisami dotyczącymi ochrony środowiska.

## Przeznaczenie

Narzędzie to jest przeznaczone do przycinania żywoptłotów.

## Deklaracja zgodności WE

*Dotyczy tylko krajów europejskich*

Deklaracja zgodności WE jest dołączona jako załącznik A do niniejszej instrukcji obsługi.

## Ogólne zasady bezpieczeństwa obsługi elektronarzędzi

**⚠OSTRZEŻENIE** Przeczytaj wszystkie ostrzeżenia i instrukcje. Nie przestrzeganie ich może prowadzić do porażenia prądem, pożarów i/lub poważnych obrażeń ciała.

**Wszystkie ostrzeżenia i instrukcje należy zachować do późniejszego wykorzystania.**

## Ostrzeżenia dotyczące bezpieczeństwa dla akumulatorowych nożyc do żywoptłotu

1. Nie wolno zbliżać dłoni ani innych części ciała do ostrza przecinarki. Ciężego materiału nie wolno usuwać ani przytrzymywać, kiedy ostrza są w ruchu. Po wyłączeniu tarcze dalej obracają się siłą rozpędu. Przed usunięciem zablokowanego materiału należy koniecznie sprawdzić, czy urządzenie jest wyłączone. Moment nieuwagi podczas pracy z nożycami do żywoptłotu może spowodować poważne obrażenia ciała.
2. Nożycy do żywoptłotu należy przenosić przy zatrzymanych ostrzach, trzymając je za uchwyt. Podczas transportu lub przechowywania nożyc do żywoptłotu zawsze powinna być założona osłona. Prawidłowe obchodzenie się z nożycami do żywoptłotu zmniejsza ryzyko urazów powodowanych ostrzami.
3. Ponieważ ostrze może zetknąć się z ukrytymi przewodami elektrycznymi, elektronarzędzie należy trzymać tylko za izolowane uchwyty. Zetknięcie ostrzy z przewodem elektrycznym znajdującym się pod napięciem może spowodować, że odsłonięte elementy metalowe elektronarzędzia również znajdują się pod napięciem, grożąc porażeniem operatora prądem elektrycznym.
4. **NIEBEZPIECZEŃSTWO** - Nie wolno zbliżać rąk do ostrza. Kontakt z ostrzem może spowodować poważne obrażenia ciała.
5. Nożyc do żywoptłotu nie wolno używać podczas deszczu, kiedy występuje rosa ani w bardzo wilgotnych warunkach. Silnik elektryczny nie jest wodoszczelny.
6. Osoba mająca praktyczne doświadczenie z nożycami do żywoptłotu powinna poinstruować użytkownika, który jeszcze nie pracował z takim narzędziem.
7. Dzieciom i młodzieży poniżej 18 roku życia nie wolno obsługiwać nożyc do żywoptłotu. Młode osoby powyżej 16 roku życia można wyłączyć z tego zastrzeżenia, jeżeli odbywają szkolenie pod nadzorem fachowca.
8. Nożycy do żywoptłotu powinny być używane tylko wtedy, gdy osoba ją obsługująca jest w odpowiedniej formie fizycznej. W przypadku zmęczenia koncentracja operatora jest obniżona. Zachować szczególną ostrożność pod koniec dnia roboczego. Wszelkie czynności powinny być wykonywane spokojnie i ostrożnie. Użytkownik odpowiada za wszelkie szkody wyrządzone osobom trzecim.
9. Zabrania się używania nożyc po spożyciu alkoholu, narkotyków lub leków.
10. Rękawice robocze z grubej skóry należy do podstawowego wyposażenia podczas pracy z nożycami do żywoptłotu i zawsze należy je nosić. Należy też nosić mocne buty z antypoślizgowymi podeszwami.
11. Przed rozpoczęciem pracy należy się upewnić, że nożycy są w dobrym i zapewniającym bezpieczeństwo stanie. Należy sprawdzić, czy osłony są zamocowane prawidłowo. Nożyc do żywoptłotu nie wolno używać, jeśli nie są całkowicie zmontowane.
12. Przed rozpoczęciem pracy należy sprawdzić, czy grunt pod nogami jest pewny.
13. Narzędzie należy trzymać pewnie podczas pracy.
14. Nie należy bez potrzeby uruchamiać narzędzia bez obciążenia.
15. Kiedy ostrza zetkną się z elementami ogrodzenia lub innym twardym przedmiotem, należy natychmiast wyłączyć silnik i wyjąć akumulator. Sprawdzić, czy ostrza nie zostały uszkodzone i w razie potrzeby natychmiast je naprawić.
16. Przed sprawdzeniem ostrzy, usunięciem uszkodzeń lub materiału zablokowanego w ostrzach nożycy należy zawsze wyłączyć i wyjąć akumulator.
17. Przed przystąpieniem do jakichkolwiek prac konserwacyjnych należy wyłączyć nożycy i wyjąć akumulator.
18. Przed przeniesieniem nożyc na inne miejsce, także podczas pracy, należy wyjąć akumulator i założyć osłonę na ostrza. Nie wolno przenosić ani przewozić nożyc, gdy ostrza są w ruchu. Nigdy nie chwytać ostrzy rękami.
19. Nożycy do żywoptłotu, a zwłaszcza ostrza, należy wyczyścić po pracy, a także przed odłożeniem na czas przechowywania. Ostrza należy lekko naoliwić i nałożyć na nie osłonę. Osłonę, która została dostarczona z nożycami do żywoptłotu, można zawiesić na ścianie i jest to bezpieczny i praktyczny sposób przechowywania tego narzędzia.
20. Nożycy do żywoptłotu należy przechowywać w suchym pomieszczeniu, z założoną osłoną. Narzędzie należy przechowywać w niedostępnym dla dzieci miejscu. Nożyc nie wolno przechowywać na zewnątrz pomieszczeń.

21. Nigdy nie kierować ostrzy nożyc w swoją stronę ani w stronę innych osób.
22. Jeśli podczas pracy ostrza przestaną się poruszać z powodu utknięcia między nimi przedmiotów obcych, należy wyłączyć narzędzie, wyjąć akumulator, a następnie usunąć przedmioty obce za pomocą odpowiednich narzędzi, takich jak szczypce. Wyjmowanie przedmiotów obcych dłońmi grozi odniesieniem obrażeń, ponieważ ostrza mogą poruszyć się w reakcji na usunięcie przedmiotu obcego.
10. **Stanowiące wyposażenie akumulatory litowo-jonowe podlegają przepisom dotyczącym produktów niebezpiecznych.**  
Na potrzeby transportu komercyjnego, np. świadczonego przez firmy trzecie czy spedycyjne, należy przestrzegać specjalnych wymagań w zakresie pakowania i oznaczania etykietami. Przygotowanie produktu do wysyłki wymaga skonsultowania się ze specjalistą ds. materiałów niebezpiecznych. Należy także przestrzegać przepisów krajowych, które mogą być bardziej szczegółowe.  
Zakleić taśmą lub zaślepić otwarte styki akumulatora oraz zabezpieczyć go, aby nie mógł się przesuwać w opakowaniu.

## ZACHOWAĆ NINIEJSZE INSTRUKCJE.

**⚠OSTRZEŻENIE:** NIE WOLNO pozwolić, aby wygoda lub rutyna (nabyta w wyniku wieloletniego używania urządzenia) zastąpiły ściśle przestrzeganie zasad bezpieczeństwa obsługi. **NIEWŁAŚCIWE UŻYTKOWANIE** narzędzia lub niestosowanie się do zasad bezpieczeństwa podanych w niniejszej instrukcji obsługi może prowadzić do poważnych obrażeń ciała.

### Ważne zasady bezpieczeństwa dotyczące akumulatora

1. Przed użyciem akumulatora zapoznać się ze wszystkimi instrukcjami i znakami ostrzegawczymi na (1) ładowarce, (2) akumulatorze i (3) produkcie, w którym będzie używany akumulator.
2. Akumulatora nie wolno rozbierać.
3. Jeśli czas działania uległ znacznemu skróceniu, należy natychmiast przerwać pracę. Może bowiem dojść do przegrzania, ewentualnych poparzeń, a nawet eksplozji.
4. W przypadku przedostania się elektrolitu do oczu, przemyć je czystą wodą i niezwłocznie uzyskać pomoc lekarską. Może on bowiem spowodować utratę wzroku.
5. Nie doprowadzać do zwarcia akumulatora:
  - (1) Nie dotykać styków materiałami przewodzącymi prąd.
  - (2) Unikać przechowywania akumulatora w pojemniku z metalowymi przedmiotami, takimi jak gwoździe, monety itp.
  - (3) Chronić akumulator przed deszczem lub wodą.
 Zwarcie prowadzi do przepływu prądu elektrycznego o dużym natężeniu i przegrzania akumulatora, co w konsekwencji może grozić poparzeniami a nawet awarią urządzenia.
6. Narzędzia i akumulatora nie wolno przechowywać w miejscach, w których temperatura osiąga bądź przekracza 50°C (122°F).
7. Akumulatorów nie wolno spalać, również tych poważnie uszkodzonych lub całkowicie zużytych. Akumulator może eksplodować w ogniu.
8. Chronić akumulator przed upadkiem i uderzeniami.
9. Nie wolno używać uszkodzonego akumulatora.

11. **Postępować zgodnie z przepisami lokalnymi dotyczącymi usuwania akumulatorów.**
12. **Używać akumulatorów tylko z produktami określonymi przez firmę Makita.** Zastosowanie akumulatorów w niezgodnych produktach może spowodować pożar, przegrzanie, wybuch lub wyciek elektrolitu.

## ZACHOWAĆ NINIEJSZE INSTRUKCJE.

**⚠PRZESTROGA:** Używać wyłącznie oryginalnych akumulatorów firmy Makita. Używanie nieoryginalnych akumulatorów firm innych niż Makita lub akumulatorów, które zostały zmodyfikowane, może spowodować wybuch akumulatora i pożar, obrażenia ciała oraz zniszczenie mienia. Stanowi to również naruszenie warunków gwarancji firmy Makita dotyczących narzędzia i ładowarki.

## Wskazówki dotyczące zachowania maksymalnej trwałości akumulatora

1. Akumulator należy naładować zanim zostanie do końca rozładowany. Po zauważeniu spadku mocy narzędzia należy przerwać pracę i naładować akumulator.
2. Nie wolno ładować powtórnie w pełni naładowanego akumulatora. Przeladowanie akumulatora skraca jego trwałość.
3. Akumulator należy ładować w temperaturze pokojowej w przedziale 10–40°C (50–104°F). W przypadku gorącego akumulatora przed przystąpieniem do ładowania należy poczekać, aż ostygnie.
4. Akumulatory niklowo-wodorkowe należy naładować po okresie długiego nieużytkowania (dłuższego niż sześć miesięcy).

# OPIS DZIAŁANIA

## **⚠ PRZESTROGA:**

- Przed przystąpieniem do regulacji lub przeglądu narzędzia upewnić się, czy jest ono wyłączone i czy został wyjęty akumulator.

## Wkładanie i wyjmowanie akumulatora

- **Rys.1:** 1. Czerwony wskaźnik 2. Przycisk 3. Akumulator

## **⚠ PRZESTROGA:**

- Przed montażem lub demontażem akumulatora należy wyłączyć narzędzie.
- **Podczas wkładania lub wyjmowania akumulatora należy mocno trzymać narzędzie i akumulator.** W przeciwnym razie mogą one wyszłiznąć się z rąk, powodując uszkodzenie narzędzia lub akumulatora i obrażenia ciała.

Aby wyjąć akumulator, należy przesunąć przycisk znajdujący się w przedniej jego części i wysunąć akumulator.

Aby zamontować akumulator, wystarczy wyrównać występ na akumulatorze z rowkiem w obudowie i wsunąć go na swoje miejsce. Akumulator należy wsuwać do oporu, aż się zablokuje, co jest sygnalizowane delikatnym kliknięciem. Jeśli jest widoczny czerwony wskaźnik w górnej części przycisku, akumulator nie został całkowicie zablokowany.

## **⚠ PRZESTROGA:**

- Należy go zamontować całkowicie, tak aby czerwony wskaźnik nie był widoczny. W przeciwnym razie może przypadkowo wypaść z urządzenia, raniąc operatora lub osoby postronne.
- Nie montować akumulatora na siłę. Jeśli akumulator nie daje się swobodnie wsunąć, prawdopodobnie został włożony nieprawidłowo.

## **WSKAZÓWKA:**

- Narzędzie nie działa w przypadku użycia wyłącznie jednego akumulatora.

## System ochrony narzędzia/akumulatora

Narzędzie jest wyposażone w system ochrony narzędzia/akumulatora. System ten automatycznie odcina dopływ prądu do silnika w celu wydłużenia żywotności narzędzia i akumulatora.

Narzędzie zostanie automatycznie zatrzymane podczas pracy w następujących sytuacjach związanych z narzędziem lub akumulatorem. Niektóre sytuacje zostaną wskazane poprzez zapalenie się odpowiednich wskaźników.

## Zabezpieczenie przed przeciążeniem

W przypadku obsługi narzędzia w sposób przyczyniający się do nadmiernego wzrostu natężenia prądu, narzędzie zostanie automatycznie wyłączone bez żadnego powiadomienia. W takiej sytuacji należy wyłączyć narzędzie i zaprzestać wykonywania czynności powodującej przeciążenie narzędzia. Następnie należy ponownie uruchomić narzędzie.

## Zabezpieczenie przed przegrzaniem narzędzia/akumulatora

W przypadku przegrzania narzędzia/akumulatora narzędzie zatrzyma się automatycznie bez żadnych wskazań za pomocą wskaźników. Narzędzie nie uruchomi się nawet po pociągnięciu języka spustowego wyłącznika. W takiej sytuacji należy odczekać, aż narzędzie/akumulator ostygnie przed ponownym włączeniem narzędzia.

**WSKAZÓWKA:** Zabezpieczenie przed przegrzaniem akumulatora działa wyłącznie z akumulatorem z symbolem gwiazdy.

- **Rys.2:** 1. Znak gwiazdki

## Zabezpieczenie przed nadmiernym wyładowaniem

- **Rys.3:** 1. Wskaźnik akumulatora

W przypadku gdy poziom naładowania akumulatora jest bardzo niski, wskaźnik akumulatora zacznie migać z boku właściwego akumulatora. W przypadku dalszego użytkowania narzędzie zatrzyma się, a wskaźnik akumulatora zapali się na około 10 sekund. W takiej sytuacji należy naładować akumulator.

## Pozycje montażu uchwytów

### **⚠ PRZESTROGA:**

- Przed uruchomieniem narzędzia należy się koniecznie upewnić, czy uchwyt jest zablokowany w wybranym położeniu.

- **Rys.4:** 1. Gałka 2. Obudowa

W zależności od wykonywanej operacji istnieje możliwość ustawienia uchwytu pod kątem 45° lub 90°, zarówno w lewo, jak i w prawo. Aby obrócić uchwyt, należy pociągnąć pokrętko i ustawić uchwyt, jak pokazano na rysunku. Uchwyt zostanie zablokowany pod kątem 45°. Aby ustawić uchwyt pod kątem 90°, pociągnąć ponownie pokrętko i obrócić uchwyt.

## Włączanie

### **⚠ PRZESTROGA:**

- Przed włożeniem akumulatora do narzędzia zawsze sprawdź, czy język spustowy wyłącznika działa prawidłowo i po zwolnieniu powraca do położenia „OFF”.

- **Rys.5:** 1. Spust przełącznika B 2. Spust przełącznika A 3. Przycisk blokady

W celu zapewnienia bezpieczeństwa operatorowi narzędzie to posiada zabezpieczenie w postaci podwójnego systemu włączania. Aby włączyć narzędzie, należy nacisnąć przycisk blokady i język spustowy wyłącznika A i B. Aby wyłączyć wyłącznik, zwolnić jeden z języków spustowych wyłącznika. Narzędzie zostanie uruchomione po pociągnięciu obu języków spustowych wyłącznika.

## Zmiana prędkości

### ► Rys.6: 1. Pokrętło regulacyjne

Liczbę oscylacji na minutę można zmieniać poprzez obrót pokrętła regulacyjnego. Można to robić nawet wówczas, gdy narzędzie pracuje. Na pokrętłe znajdują się numery pozycji od 1 (najniższa prędkość) do 6 (maksymalna prędkość).

Zależność liczby oscylacji na minutę od pozycji ustawionej na pokrętłe podano w tabeli.

Numer na pokrętłe regulacyjnym	Liczba oscylacji na minutę (min <sup>-1</sup> )
6	1 800
5	1 750
4	1 650
3	1 500
2	1 300
1	1 000

### ▲ PRZESTROGA:

- Pokrętło regulacji prędkości można maksymalnie obrócić do pozycji 6 i z powrotem do pozycji 1. Nie wolno próbować obrócić go na siłę poza pozycję 6 lub 1, gdyż funkcja regulacji prędkości może przestać działać.
- Ilość oscylacji na minutę zależy od stanu akumulatora i belki nożowej.

## DZIAŁANIE

### ▲ PRZESTROGA:

- Podczas przycinania należy uważać na metalowe ogrodzenia lub inne twarde przedmioty. Mogą one spowodować pęknięcie ostrzy oraz poważne obrażenia.
- Podczas przycinania sięganie zbyt daleko, zwłaszcza gdy pracuje się na drabinie, może być bardzo niebezpieczne. Nie wolno podczas pracy stać na niepewnym podłożu.

**UWAGA: Nie wolno próbować przycinania tym narzędziem gałęzi grubszych niż 10 mm.** Przed użyciem tego narzędzia należy przyciąć gałęzie na długość o 10 cm mniejszą niż wysokość cięcia za pomocą sekatora do gałęzi.

### ► Rys.7: (1) Wysokość cięcia (2) 10 cm

### ▲ PRZESTROGA:

- Nie wolno też przycinać martwych gałęzi, ani innych twardych elementów. Nie przestrzeganie tego może doprowadzić do uszkodzenia narzędzia.

### ► Rys.8

Należy trzymać narzędzie oburącz, ciągnąć za język spustowy A lub B, następnie poruszać nim przed sobą.

### ► Rys.9: 1. Kierunek przycinania 2. Przycinana powierzchnia żywopłotu 3. Kąt pochylenia noży.

Stosując podstawową metodę pracy, należy pochylić ostrza w kierunku przycinania i przesuwając je spokojnie i powoli, z szybkością jednego metra w ciągu 3 - 4 sekund.

### ► Rys.10

Aby przycinać równo górną powierzchnię żywopłotu, dobrze jest na wymaganej wysokości zawiesić sznurek i przycinać wzdłuż niego.

### ► Rys.11

Stosowanie deflektora (wyposażenie dodatkowe) podczas przycinania prostego zapewnia odrzucanie obciętych liści w sposób kontrolowany.

### ► Rys.12

Przed przystąpieniem do pracy obrócić uchwyt w celu ułatwienia manipulowania. Więcej informacji można znaleźć w punkcie „Pozycja montażu uchwytów”. Równe przycięcie żywopłotu osiągamy przycinając od dołu do góry.

### ► Rys.13

Żywopłoty z bukszpanu i rododendronu (rózaniecznika) należy przycinać od dołu ku górze - wyglądają wtedy najładniej.

## Montaż i demontaż deflektora (wyposażenie dodatkowe)

### ▲ PRZESTROGA:

- Przed montażem lub demontażem deflektora należy wyłączyć narzędzie i wyjąć akumulator.

### WSKAZÓWKI:

- Podczas zakładania lub zdejmowania deflektora należy zawsze nosić rękawice, aby nie dotykać ostrzy bezpośrednio. Nie przestrzeganie tej zasady może spowodować obrażenia.
- Przed zainstalowaniem pojemnika należy się zawsze upewnić, że została zdjęta osłona ostrza.
- Deflektor zbiera odcięte liście i ułatwia pozbywanie się ich. Można go zamontować z jednej lub z drugiej strony narzędzia.

### ► Rys.14: 1. Docisnąć 2. Deflektor liści 3. Nakrętka 4. Noże

Montując deflektor należy go docisnąć do belki nożowej, tak aby wpusty pasowały do nakrętek belki. Należy przy tym uważać, aby deflektor nie dotykał osłony końca belki nożowej.

### ► Rys.15: 1. Nakrętka 2. Osłona końca belki

Deflektor mocuje się umieszczając jego haczyki w rowkach belki nożowej.

### ► Rys.16: 1. Haczyki 2. Włóż haczyki do rowków 3. Rowki

Aby zdemontować deflektor, naciśnij haczyki po obu stronach i haczyki się odcepiają.

### ► Rys.17: 1. Naciśnąć zaczepy po obu stronach 2. Odczep haczyki



### **⚠ PRZESTROGA:**

- Osłona belki nożowej nie może zostać zamontowana w narzędziu, jeśli zamontowano deflektor liści. Przed przenoszeniem lub przechowywaniem narzędzia należy zdemontować deflektor liści, a następnie zamontować osłonę belki nożowej w celu niedopuszczenia do odslonięcia belki.

### **WSKAZÓWKA:**

- Przed przystąpieniem do pracy z użyciem deflektora, należy sprawdzić czy jest on zamontowany prawidłowo.
- Deflektora nie wolno demontować z użyciem dużej siły, kiedy haczyki mocujące znajdują się w rowkach. Może to go uszkodzić.

## **KONSERWACJA**

### **⚠ PRZESTROGA:**

- Przed przystąpieniem do przeglądu narzędzia lub jego konserwacji upewnić się, czy jest ono wyłączone i czy akumulator został wyjęty.
- Nie wolno używać benzyny, benzenu, rozpuszczalnika, alkoholu itp. Substancje takie mogą spowodować odbarwienia, odkształcenia lub pęknięcia.

## **Czyszczenie narzędzia**

Narzędzie to należy czyścić usuwając kurz szmatką - suchą lub namoczoną w roztworze mydła.

## **Konserwacja noży**

Noże należy zwilżać olejem maszynowym przed rozpoczęciem pracy oraz co godzinę podczas pracy.

### **WSKAZÓWKA:**

- Przed zwilżeniem narzędzia olejem należy usunąć deflektor.

Po zakończeniu pracy należy drucianą szczotką usunąć pył po obu stronach ostrza, przetrzeć go szmatką, a następnie zwilżyć olejem o niskiej lepkości, np. olejem maszynowym, i olejem smarowym w sprayu.

### **⚠ PRZESTROGA:**

- Noży nie wolno myć wodą. Mycie takie powoduje korodowanie i uszkodzenie narzędzia.

**UWAGA:** Jeśli inne części niż ostrza nożyc, takie jak mimośród, ulegną zużyciu, należy zwrócić się do autoryzowanego centrum serwisowego firmy Makita z prośbą o wymianę części lub dokonanie naprawy.

## **Demontaż lub montaż belki nożowej**

### **⚠ PRZESTROGA:**

- Przed demontażem lub montażem belki nożowej należy wyłączyć narzędzie i wyjąć akumulator.
- Podczas zakładania lub zdejmowania belki nożowej należy zawsze nosić rękawice, aby nie dotykać ostrzy bezpośrednio. Nie przestrzeganie tej zasady może spowodować obrażenia.

### **WSKAZÓWKA:**

- Nie wolno wycierać smaru z trybów i mimośrodów. Nie przestrzeganie tego może doprowadzić do uszkodzenia narzędzia.
- Dokładny opis montowania i demontowania belki nożowej znajduje się na odwrocie opakowania belki nożowej.

## **Demontowanie belki nożowej**

Odwórc narzędzie spodem do góry i poluzuj cztery śruby.

► **Rys.18:** 1. Osłona ostrza 2. Wkręty

### **WSKAZÓWKA:**

- Uważaj, aby się na pobrudzić, gdyż w mechanizmie napędu noży znajduje się smar.

Usuń osłonę dolną.

► **Rys.19:** 1. Osłona spodnia 2. Osłona ostrza 3. Wkręty

Wymij płytkę.

► **Rys.20:** 1. Płytką

Za pomocą wkrętaka płaskiego ustawij mimośród pod kątem, jak pokazano na rysunku.

► **Rys.21:** 1. Mimośród

Wykręć z belki nożowej dwie śruby i wyjmij ją.

► **Rys.22:** 1. Wkręty 2. Noże

### **⚠ PRZESTROGA:**

- Jeżeli przez pomyłkę przekładnia została wyjęta, należy ją ponownie umieścić w oryginalnym położeniu w taki sposób, jak była zainstalowana.

## **Montaż belek nożowych**

Przygotuj 4 usunięte śruby (osłony dolnej), 2 śruby (belki nożowej), płytkę, osłonę dolną oraz nową belkę nożową.

Wyreguluj położenie mimośrodów - jak na rysunku. Teraz nałóż na mimośród nieco smaru dostarczonego z nową belką nożową.

► **Rys.23:** 1. Mimośród

Dopasuj owalny otwór w górnych nożach do takiego samego w dolnych nożach.

► **Rys.24:** 1. Owalny otwór belki nożowej

Załóż osłonę starej belki nożowej na nową, co ułatwi manipulowanie podczas wymiany belek.

► **Rys.25**

Nową belkę należy ułożyć na narzędziu w ten sposób, aby owalne otwory w belce znalazły się na mimośrodzie. Otwory te należy dopasować do otworów na śruby w narzędziu, a następnie dokręcić te śruby.

► **Rys.26:** 1. Owalny otwór belki nożowej 2. Mimośród 3. Wkręty

Za pomocą wkrętaka płaskiego sprawdzić, czy mimośród obraca się płynnie.

► **Rys.27:** 1. Mimośród

Zamontuj płytkę oraz osłonę dolną. Silnie dokręć śruby.

#### WSKAZÓWKA:

- Górna i dolna część płytki są takie same.

Zdejmij osłonę belki nożowej, a następnie włącz narzędzie, aby sprawdzić, czy nożyce pracują prawidłowo.

#### WSKAZÓWKA:

- Jeśli noże nie pracują prawidłowo, jest to na skutek niedopasowania noży i mimośrodu. Należy wtedy przeprowadzić montaż od początku.

## Wymiana szczotek węglowych

► **Rys.28:** 1. Znak ograniczenia

Systematycznie wyjmować i sprawdzać szczotki węglowe. Wymieniać je, gdy ich zużycie sięga znaku granicznego. Szczotki powinny być czyste i łatwo wchodzić w uchwyt. Należy wymieniać obydwie szczotki jednocześnie. Stosować wyłącznie identyczne szczotki węglowe.

► **Rys.29:** 1. Osłona nasadki oprawy 2. Wkrętak płaski

Włożyć górną końcówkę wkrętaka płaskiego w nacięcie w narzędziu, a następnie podważyć i usunąć osłonę nasadki oprawy.

► **Rys.30:** 1. Pokrywka uchwytu szczotki 2. Wkrętak płaski

Za pomocą wkrętaka płaskiego usunąć nasadki opraw szczotek. Wyjąć zużyte szczotki węglowe, wsunąć nowe i zamocować ponownie nasadki opraw szczotek. Ponownie osadzić osłonę nasadki oprawy w narzędziu.

## Przechowywanie

Otwór w osłonie noży służy do zawieszania narzędzia na ścianie.

► **Rys.31**

Wyjmij akumulator i załóż osłonę na belkę nożową, aby ostrza były schowane całkowicie. Nożyce należy koniecznie strzec przed dziećmi.

Miejsce przechowywania nożyc powinno być suche.

Dla zachowania BEZPIECZEŃSTWA i

NIEZAWODNOŚCI wyrobu, naprawy oraz inne prace konserwacyjne i regulacyjne powinny być wykonywane przez Autoryzowane Centra Serwisowe Makita, wyłącznie przy użyciu części zamiennych Makita.

## AKCESORIA OPCJONALNE

### PRZESTROGA:

- Zaleca się stosowanie wymienionych akcesoriów i dodatków razem z elektronarzędziem Makita opisanym w niniejszej instrukcji. Stosowanie jakichkolwiek innych akcesoriów i dodatków może stanowić ryzyko uszkodzenia ciała. Stosować akcesoria i dodatki w celach wyłącznie zgodnych z ich przeznaczeniem.

W razie potrzeby, wszelkiej pomocy i szczegółowych informacji na temat niniejszych akcesoriów udziela Państwu lokalne Centra Serwisowe Makita.

- Osłona belki nożowej
- Noże
- Oryginalny akumulator i ładowarka firmy Makita
- Deflektor liści

### WSKAZÓWKA:

- Niektóre pozycje znajdujące się na liście mogą być dołączone do pakietu narzędziowego jako akcesoria standardowe. Mogą to być różne pozycje, w zależności od kraju.

## SPECIFICAȚII

Model	DUH551	DUH651
Lungime lamă	550 mm	650 mm
Curse pe minut (min <sup>-1</sup> )	1.000 - 1.800	
Lungime totală	1.065 mm	1.135 mm
Tensiune nominală	36 V cc.	
Greutate netă	4,6 - 5,3 kg	4,7 - 5,5 kg

- Datorită programului nostru continuu de cercetare și dezvoltare, specificațiile pot fi modificate fără o notificare prealabilă.
- Specificațiile pot varia în funcție de țară.
- Greutatea poate diferi în funcție de accesoriu(ii), inclusiv cartușul acumulatorului. În tabel se prezintă combinația cea mai ușoară și cea mai grea, conform Procedurii EPTA 01/2014.

## Cartușul acumulatorului și încărcătorul aplicabile

Cartușul acumulatorului	BL1815N / BL1820 / BL1820B / BL1830 / BL1830B / BL1840 / BL1840B / BL1850 / BL1850B / BL1860B
Încărcător	DC18RC / DC18RD / DC18RE / DC18SD / DC18SE / DC18SF

- Este posibil ca unele cartușe ale acumulatorilor și încărcătoare menționate mai sus să nu fie disponibile în funcție de regiunea dvs. de reședință.

**⚠️ AVERTIZARE:** Utilizați numai cartușele de acumulator și încărcătoarele enumerate mai sus. Utilizarea oricăror altor cartușe de acumulator și încărcătoare poate duce la rănire și/sau incendiu.

Zgomot	Nivel de presiune acustică		Nivel putere sonoră		Standard aplicabil sau directivă
	L <sub>PA</sub> (dB (A))	Eroare de măsurare K (dB (A))	L <sub>PA</sub> (dB (A))	Eroare de măsurare K (dB (A))	
DUH551	81,5	2,1	91	1,5	2000/14/EC
DUH651	82	1,4	91,1	1,5	

- Purtați echipament de protecție pentru urechi.

Vibrații	Emisii declarate (m/s <sup>2</sup> )	Eroare de măsurare K (m/s <sup>2</sup> )	Standard aplicabil sau directivă
Model			
DUH551 / DUH651	≤ 2,5	1,5	EN60745-2-15

**NOTĂ:** Nivelul de vibrații declarat a fost măsurat în conformitate cu metoda de test standard și poate fi utilizat pentru compararea unei unelte cu alta.

**NOTĂ:** Nivelul de vibrații declarat poate fi, de asemenea, utilizat într-o evaluare preliminară a expunerii.

**⚠️ AVERTIZARE:** Nivelul de vibrații în timpul utilizării reale a unelei electrice poate diferi de valoarea nivelului declarat, în funcție de modul în care uneltea este utilizată.

**⚠️ AVERTIZARE:** Asigurați-vă că identificați măsurile de siguranță pentru a proteja operatorul, acestea fiind bazate pe o estimare a expunerii în condiții reale de utilizare (luând în considerare toate părțile ciclului de operare, precum timpul în care uneltea a fost oprită, sau a funcționat în gol, pe lângă timpul de declanșare).

## Simboluri

Mai jos sunt prezentate simbolurile de pe echipament. Asigurați-vă că înțelegeți sensul acestora înainte de utilizare.



Citiți manualul de utilizare.



Nu expuneți la umezeală.



Doar pentru țările din cadrul UE  
Nu aruncați aparatele electrice sau acumulatorii în gunoii menajeri!

În conformitate cu Directiva europeană privind deșeurile de echipamente electrice și electronice, bateriile și acumulatorii, precum și bateriile și acumulatorii reziduale și implementarea acestora conform legislației naționale, echipamentele electrice și bateriile și acumulatorii care au ajuns la sfârșitul duratei de viață trebuie colectate separat și reciclate corespunzător în vederea protejării mediului.

## Destinația de utilizare

Unealta este destinată tunderii gardurilor vii.

## Declarație de conformitate CE

### Numai pentru țările europene

Declarația de conformitate CE este inclusă ca Anexa A în acest manual de instrucțiuni.

## Avertismente generale de siguranță pentru unelte electrice

**⚠️ AVERTIZARE** Citiți toate avertizările de siguranță și toate instrucțiunile. Nerespectarea acestor avertizări și instrucțiuni poate avea ca rezultat electrocutarea, incendiul și/sau rănirea gravă.

**Păstrați toate avertismentele și instrucțiunile pentru consultări ulterioare.**

## Avertizări de siguranță pentru mașina de tuns gardul viu fără cablu

- Țineți-vă toate părțile corpului departe de lama de tăiere. Când lamele sunt în mișcare, nu îndepărtați materialul tăiat sau nu țineți materialul care va fi tăiat. Lamele își continuă mișcarea inerțială după oprire. Asigurați-vă că îndepărtoarea este în poziția oprit atunci când curățați materialul blocat.** Un moment de neatenție în timpul utilizării mașinii de tuns gardul viu poate cauza răniri grave.
  - Transportați mașina de tuns gardul viu de mâner, cu lama de tăiere oprită. Când transportați sau depozitați mașina de tuns gardul viu, întotdeauna montați capacul dispozitivului de tăiere.** Manipularea corectă a mașinii de tuns gardul viu va reduce posibilitatea rănirii persoanelor de către lamele de tăiere.
  - Țineți mașina electrică doar de suprafețele de prindere izolate, deoarece lama de tăiere poate intra în contact cu fire ascunse.** Lamele de tăiere care intră în contact cu un fir sub tensiune vor pune sub tensiune și componentele metalice expuse ale mașinii electrice, existând pericolul ca operatorul să se electrocuteze.
  - PERICOL - Țineți mâinile la distanță de lamă.** Contactul cu lama poate cauza vătămări corporale grave.
  - Nu utilizați mașina de tuns gardul viu în condiții de ploaie, umiditate sau de umezeală foarte ridicată.** Motorul electric nu este etanș la apă.
- Cei care utilizează pentru prima dată mașina de tuns gardul viu trebuie să lucreze împreună cu un utilizator cu experiență care să le arate cum să folosească mașina de tuns gardul viu.**
  - Mașina de tuns gardul viu nu trebuie folosită de copii sau adolescenți cu vârstă mai mică de 18 ani.** Adolescenții cu vârstă mai mare de 16 ani pot fi excepții de la această restricție în cazul în care beneficiază de instrucții sub supravegherea unui expert.
  - Utilizați mașina de tuns gardul viu numai dacă vă aflați într-o stare fizică bună.** Dacă sunteți obosit/ă, atenția vă va fi redusă. Fiți atent/ă, în special la finalul zilei de muncă. Executați fiecare lucrare cu calm și cu atenție. Utilizatorul este responsabil pentru toate distrugerile provocate unor terțe părți.
  - Nu utilizați niciodată mașina de tuns sub influența alcoolului, drogurilor sau medicamentelor.**
  - Mănușile de lucru din piele rezistentă sunt componente ale echipamentului de bază al mașinii de tuns gardul viu și trebuie să fie purtate întotdeauna în timpul utilizării acesteia.** De asemenea, purtați încălțăminte rezistentă și cu tălpi antiderapante.
  - Înainte de a începe lucrul, verificați mașina de tuns pentru a vă asigura că este în stare bună și sigură de funcționare. Asigurați-vă că apărătorii sunt montate corect. Mașina de tuns gardul viu nu trebuie utilizată dacă nu este complet asamblată.**
  - Înainte de utilizare, asigurați-vă că aveți o bază sigură de sprijinire a picioarelor.**
  - Țineți ferm unealta atunci când o utilizați.**
  - Nu acționați unealta în gol în mod inutil.**
  - Opriti imediat motorul și scoateți cartușul acumulatorului în cazul în care cuțitul vine în contact cu un gard sau cu un alt obiect tare. Verificați cuțitul și, dacă este deteriorat, reparați-l imediat.**
  - Înainte de a examina cuțitul, de a remedia defecțiunile sau de a scoate materialul prins în cuțit, opriți întotdeauna mașina de tuns și scoateți cartușul acumulatorului.**
  - Opriti mașina de tuns și scoateți cartușul acumulatorului înainte de a efectua orice operații de întreținere.**
  - Când mutați mașina de tuns gardul viu într-o altă locație, inclusiv în timpul desfășurării activității, întotdeauna îndepărtați cartușul acumulatorului și montați capacul pentru lame peste lamele cuțitului. Nu transportați niciodată mașina de tuns atunci când cuțitul este în funcțiune. Nu apucați niciodată cuțitul cu mâinile.**
  - După utilizare și înainte de a o depozita pentru o perioadă lungă de timp, curățați mașina de tuns gardul viu și, în special, cuțitul. Ungeți cuțitul cu puțin ulei și puneți capacul. Capacul furnizat cu unitatea poate fi suspendat pe perete, oferind un mod practic și sigur de depozitare a mașinii de tuns gardul viu.**

20. **Depozitați mașina de tuns gardul viu cu capacul pus, într-o cameră uscată. Nu o lăsați la îndemâna copiilor. Nu depozitați niciodată mașina de tuns în exterior.**
21. **Nu îndreptați niciodată lamele de foarfecă spre dumneavoastră sau spre alte persoane.**
22. **Dacă lamele se opresc din cauza blocării unor obiecte străine între acestea în timpul funcționării, opriți mașina și scoateți cartușul acumulatorului, iar apoi îndepărtați obiectele străine cu ajutorul unor unelte precum cleștele. Îndepărtarea manuală a obiectelor străine poate cauza accidente deoarece, ca reacție la îndepărtarea obiectelor străine, lamele s-ar putea mișca.**
9. **Nu utilizați un acumulator deteriorat.**
10. **Acumulatorii Li-Ion încorporați se supun cerințelor Legislației privind substanțele periculoase.**  
 Pentru transporturi comerciale, efectuate de exemplu de către părți terțe, expeditori, trebuie respectate cerințele speciale de ambalare și etichetare.  
 Pentru pregătirea articolului care urmează să fie expedit, este necesară consultarea unui expert în materiale periculoase. Vă rugăm să respectați, de asemenea, reglementările naționale, care pot fi mai detaliate.  
 Izolați sau acoperiți contactele deschise și împachetați acumulatorul în așa fel încât să nu se poată mișca în ambalaj.

## PĂSTRAȚI ACESTE INSTRUCȚIUNI.

**⚠️AVERTIZARE:** NU permiteți comodității și familiarizării cu produsul (obținute prin utilizare repetată) să înlocuiască respectarea strictă a normelor de securitate pentru acest produs. **FOLOSIREA INCORECTĂ** sau nerespectarea normelor de securitate din acest manual de instrucțiuni poate provoca vătămări corporale grave.

### Instrucțiuni importante privind siguranța pentru cartușul acumulatorului

1. **Înainte de a folosi cartușul acumulatorului, citiți toate instrucțiunile și atenționările de pe (1) încărcătorul acumulatorului, (2) acumulator și (3) produsul care folosește acumulatorul.**
2. **Nu dezmembrați cartușul acumulatorului.**
3. **Dacă timpul de funcționare s-a redus excesiv, întrerupeți imediat funcționarea. Aceasta poate prezenta risc de supraîncălzire, posibile arsuri și chiar explozie.**
4. **Dacă electrolitul pătrunde în ochi, clătiți bine ochii cu apă curată și consultați imediat un medic. Există risc de orbire.**
5. **Nu scurtcircuitați cartușul acumulatorului:**
  - (1) **Nu atingeți bornele cu niciun material conductor.**
  - (2) **Evitați depozitarea cartușului acumulatorului la un loc cu alte obiecte metalice cum ar fi cuie, monede etc.**
  - (3) **Nu expuneți cartușul acumulatorului la apă sau ploaie.**

Un scurtcircuit al acumulatorului poate provoca un flux puternic de curent electric, supraîncălzire, posibile arsuri și chiar defectarea mașinii.
6. **Nu depozitați mașina și cartușul acumulatorului în spații în care temperatura poate atinge sau depăși 50 °C (122 °F).**
7. **Nu incinerati cartușul acumulatorului chiar dacă acesta este grav deteriorat sau complet uzat. Cartușul acumulatorului poate exploda în foc.**
8. **Aveți grijă să nu scăpați sau să loviți acumulatorul.**

11. **Respectați normele naționale privind eliminarea la deșeuri a acumulatorului.**
12. **Utilizați acumulatoroarele numai cu produsele specificate de Makita. Instalarea acumulatorilor în produse neconforme poate cauza incendii, căldură excesivă, explozii sau scurgeri de electrolit.**

## PĂSTRAȚI ACESTE INSTRUCȚIUNI.

**⚠️ATENȚIE:** Folosiți numai acumulatori Makita originali. Acumulatorii Makita care nu sunt originali și acumulatorii care au suferit modificări se pot aprinde, provocând incendii, leziuni corporale și daune. De asemenea, anulează garanția oferită de Makita pentru unealta și încărcătorul Makita.

## Sfaturi pentru obținerea unei durate maxime de exploatare a acumulatorului

1. **Încărcați cartușul acumulatorului înainte de a se descărca complet. Întrerupeți întotdeauna funcționarea mașinii și încărcați cartușul acumulatorului când observați o scădere a puterii mașinii.**
2. **Nu reîncărcați niciodată un acumulator complet încărcat. Supraîncărcarea va scurta durata de exploatare a acumulatorului.**
3. **Încărcați cartușul acumulatorului la temperatura camerei, între 10 °C - 40 °C (50 °F - 104 °F). Lăsați un acumulator fierbinte să se răcească înainte de a-l încărca.**
4. **Încărcați cartușul acumulatorului în cazul în care nu a fost utilizat pe o perioadă mai lungă (mai mult de șase luni).**

## DESCRIERE FUNCȚIONALĂ

### ⚠️ ATENȚIE:

- Asigurați-vă întotdeauna că mașina este oprită și cartușul acumulatorului este scos înainte de a ajusta sau verifica funcționarea mașinii.

### Instalarea sau scoaterea cartușului acumulatorului

- Fig.1: 1. Indicator roșu 2. Buton 3. Cartușul  
acumulatorului

### ⚠️ ATENȚIE:

- Opriți întotdeauna unealta înainte de montarea sau demontarea cartușului de acumulator.
- **Țineți ferm mașina și cartușul acumulatorului la montarea sau demontarea cartușului.** În caz contrar, acestea vă pot aluneca din mâini, rezultând defectarea lor și posibilele accidentări.

Pentru a scoate cartușul acumulatorului, glisați-l din unealtă în timp ce glisați butonul de pe partea frontală a cartușului.

Pentru a instala cartușul acumulatorului, aliniați limba de pe cartușul acumulatorului cu canelura din carcasă și introduceți-l în locaș. Introduceți-l complet, până când se înclichetează în locaș. Dacă puteți vedea indicatorul roșu din partea superioară a butonului, acesta nu este blocat complet.

### ⚠️ ATENȚIE:

- Instalați întotdeauna cartușul acumulatorului complet, până când indicatorul roșu nu mai este vizibil. În caz contrar, acesta poate cădea accidental din mașină provocând rănirea dumneavoastră sau a persoanelor din jur.
- Nu forțați cartușul de acumulator la montare. Dacă acesta nu glisează ușor, înseamnă că a fost introdus incorect.

### NOTĂ:

- Mașina nu funcționează doar cu un singur cartuș de acumulator.

### Sistem de protecție mașină/acumulator

Mașina este prevăzută cu un sistem de protecție mașină/ acumulator. Sistemul întrerupe automat alimentarea motorului pentru a extinde durata de viață a mașinii și acumulatorului.

Mașina se va opri automat în timpul funcționării când mașina sau acumulatorul se află într-una din situațiile următoare. În unele situații, indicatoarele luminează.

### Protecție la suprasarcină

Când mașina este utilizată într-un mod care duce la un consum exagerat de curent, mașina se va opri fără nicio indicație. În această situație, opriți mașina și aplicați carea a dus la supraîncărcarea mașinii. Apoi opriți mașina pentru a reporni.

### Protecție împotriva supraîncălzirii pentru mașină/acumulator

Când mașina/acumulatorul se supraîncălzesc, mașina se oprește automat fără nicio indicație. Mașina nu va mai porni chiar dacă apăsați butonul declanșator. În această situație, lăsați mașina/acumulatorul să se răcească înainte de a reporni mașina.

**NOTĂ:** Protecția împotriva supraîncălzirii acumulatorului funcționează doar cu un cartuș de acumulator prevăzută cu un marcaj în stea.

- Fig.2: 1. Marcaj în stea

### Protecție împotriva supradescărcării

- Fig.3: 1. Indicator acumulator

Când capacitatea rămasă a acumulatorului se reduce, indicatorul de acumulator luminează intermitent pe partea laterală a acumulatorului. Dacă este utilizată în continuare, mașina se va opri, iar indicatorul de acumulator va lumina timp de aproximativ 10 de secunde. În această situație, încărcați cartușul acumulatorului.

### Poziții de montare mâner

### ⚠️ ATENȚIE:

- Asigurați-vă întotdeauna că mânerul este blocat în poziția dorită înainte de utilizare.

- Fig.4: 1. Buton rotativ 2. Carcasă

În funcție de operațiile executate, puteți seta unghiul mânerului fie la 45°, fie la 90°, în stânga sau în dreapta. Pentru a roti mânerul, trageți butonul și rotiți mânerul în modul indicat în figură. Mânerul este blocat la 45°. Pentru a roti mânerul la 90°, trageți butonul din nou și rotiți mânerul mai mult.

### Acționarea întrerupătorului

### ⚠️ ATENȚIE:

- Înainte de a introduce cartușul acumulatorului în mașină, verificați întotdeauna dacă butonul declanșator funcționează corect și revine în poziția "OFF" (oprit) când este eliberat.

- Fig.5: 1. Declanșator întrerupător B 2. Declanșator întrerupător A 3. Buton de deblocare

Pentru siguranța dumneavoastră, această mașină este echipată cu un sistem cu comutare dublă. Pentru a porni mașina, apăsați butonul de blocare și apăsați butonul declanșator A și B. Pentru a opri întrerupătorul, eliberați oricare dintre cele două butoane declanșatoare. Mașina pornește doar la tragerea ambelor butoane declanșatoare.

### Schimbarea vitezei

- Fig.6: 1. Rondelă de reglare

Numărul de curse pe minut poate fi reglat prin simpla rotire a rondelii de reglare. Acest lucru este posibil chiar și în timpul funcționării mașinii. Rondela este marcată cu 1 (viteza minimă) până la 6 (viteza maximă). Consultați tabelul de mai jos pentru relația dintre numerele de pe rondela de reglare și numărul de curse pe minut.

Număr pe rondela de reglare	Curse pe minut (min <sup>-1</sup> )
6	1.800
5	1.750
4	1.650
3	1.500
2	1.300
1	1.000

### ⚠️ **ATENȚIE:**

- Rondela de reglare a vitezei poate fi rotită numai până la poziția 6 și înapoi la poziția 1. Nu forțați rondela peste pozițiile 6 sau 1, deoarece funcția de reglare a vitezei se poate defecta.
- Cursele pe minut variază în funcție de stările cartușului de acumulator și lamele de forfecare.

## FUNCȚIONARE

### ⚠️ **ATENȚIE:**

- În timpul tunderii, aveți grijă să nu atingeți accidental un gard metalic sau alte obiecte tari. Lama se va sparge și poate produce răni grave.
- Întinderea cu o mașină de tuns gardul viu, în special de pe o scară, este extrem de periculoasă. Nu lucrați de pe nimic instabil sau lipsit de fermitate.

**NOTĂ:** Nu încercați să tăiați ramuri mai groase de 10 mm cu unealta. Tăiați crengile la o înălțime cu 10 cm mai mică decât înălțimea de tăiere utilizând un cuțit de crengi, înainte de a utiliza această unealtă.

► **Fig.7:** (1) Înălțime de tăiere (2) 10 cm

### ⚠️ **ATENȚIE:**

- Nu tăiați copaci uscați sau alte obiecte similare dure. În caz contrar, mașina poate fi deteriorată.

► **Fig.8**

Țineți mașina de tuns cu ambele mâini și trageți butonul declanșator A sau B, apoi mutați-o în fața corpului.

► **Fig.9:** 1. Direcție de tundere 2. Suprafața gardului viu care va fi tunsă 3. Înclinați lamele.

Ca o operație de bază, înclinați lamele în față spre direcția de tundere și deplasați-le calm și lent la o viteză nominală de 3 - 4 secunde pe metru.

► **Fig.10**

Pentru a tunde uniform partea superioară a unui gard viu, vă va ajuta legarea unei sfori la înălțimea dorită a gardului viu, și tunderea de-a lungul acesteia, utilizând-o ca linie de referință.

► **Fig.11**

Montarea unui recipient de resturi (accesoriu opțional) pe mașină atunci când tundeți drept gardul viu poate evita proiectarea în aer a frunzelor tăiate.

► **Fig.12**

Rotiți mânerul pentru o manevrare cât mai ușoară înaintea operării. Consultați secțiunea intitulată "Poziții de montare mâner". Pentru a tunde uniform o față a gardului viu, vă va ajuta să tundeți de jos în sus.

► **Fig.13**

Tundeți merișorul sau rododendronul de la bază spre partea superioară pentru un aspect plăcut și pentru un lucru bine făcut.

## Montarea sau demontarea recipientului de resturi (accesoriu opțional)

### ⚠️ **ATENȚIE:**

- Asigurați-vă întotdeauna că mașina este oprită și cartușul acumulatorului este scos înainte de a monta sau demonta recipientul de așchii.

### NOTĂ:

- Atunci când înlocuiți recipientul de resturi, purtați întotdeauna mănuși astfel încât mâinile și fața să nu intre în contact direct cu lama. În caz contrar se poate produce rănirea.
- Înainte de a monta recipientul de resturi, asigurați-vă întotdeauna că scoateți apărătoarea lamei.
- Recipientul de resturi primește frunzele tunse și ușurează colectarea frunzelor proiectate. Acesta poate fi instalat pe oricare latură a mașinii.

► **Fig.14:** 1. Apăsați 2. Recipient de resturi 3. Piuliță 4. Lamă de forfecare

Apăsați pe recipientul de resturi pe lamele de forfecare astfel încât decupajele sale să se suprapună cu piulițele de pe acestea. În acest timp, asigurați-vă că recipientul de resturi nu atinge prințul de ramuri la partea superioară a lamelor de forfecare.

► **Fig.15:** 1. Piuliță 2. Prințul de ramuri

Totodată, recipientul de resturi trebuie instalat astfel încât cârligele sale să intre în canelurile unității lamelor de forfecare.

► **Fig.16:** 1. Cârlige 2. Introducerea cârligelor în canelură 3. Caneluri

Pentru a scoate recipientul de resturi, apăsați maneta sa pe ambele părți astfel încât cârligele să se deblocheze.

► **Fig.17:** 1. Apăsați manetele de pe ambele părți 2. Deblocarea cârligelor

### ⚠️ **ATENȚIE:**

- Apărătoarea lamei nu poate fi montată pe mașină atunci când recipientul de resturi este instalat. Înainte de transportul sau depozitării, demontați recipientul de resturi și apoi montați apărătoarea lamei, pentru a evita expunerea acesteia.

### NOTĂ:

- Înainte de utilizării, verificați dacă recipientul de resturi este fixat corespunzător.
- Nu încercați niciodată să demontați recipientul de resturi, cu cârligele blocate în canelurile ansamblului lamei, prin intermediul unei forțe excesive. Utilizarea forței excesive poate deteriora recipientul.

# ÎNTREȚINERE

## ⚠️ ATENȚIE:

- Asigurați-vă întotdeauna că mașina este oprită și cartușul acumulatorului este scos înainte de a executa lucrările de inspecție și întreținere.
- Nu utilizați niciodată gazolină, benzină, diluant, alcool sau alte substanțe asemănătoare. În caz contrar, pot rezulta decolorări, deformări sau fisuri.

## Curățarea mașinii

Curățați mașina, ștergând praful cu o lavetă uscată sau înmuiată în săpun.

## Întreținerea lamei

Ungeți lama înainte de utilizare și o dată pe oră în timpul utilizării, cu ulei de mașină sau un alt ulei similar.

### NOTĂ:

- Înainte de a scoate lama, demontați recipientul de resturi.

După utilizare, eliminați praful de pe ambele părți ale lamei cu o perie din sârmă, ștergeți cu o cârpă și apoi aplicați suficient ulei cu vâscozitate redusă, precum ulei de mașină etc. și ulei de lubrifiere cu aplicare prin pulverizare.

## ⚠️ ATENȚIE:

- Nu spălați lamele în apă. În caz contrar, mașina poate fi deteriorată sau poate rugini.

**NOTĂ:** Dacă alte piese, cu excepția lamelor de forfecă, cum ar fi pârghia, se uzează, solicitați-centrelor de service autorizate Makita înlocuirea pieselor sau efectuarea de reparații.

## Demontarea sau montarea lamei de forfecare

### ⚠️ ATENȚIE:

- Înainte de a demonta sau monta lama de forfecare, asigurați-vă întotdeauna că mașina este oprită și cartușul acumulatorului este scos.
- Atunci când înlocuiți lama de forfecare, purtați întotdeauna mănuși fără a demonta apărătoarea lamei astfel încât mâinile și fața să nu intre în contact direct cu lama. În caz contrar se poate produce rănire.

### NOTĂ:

- Nu ștergeți vaselina de pe angrenaj și pârghia cotită. În caz contrar, mașina poate fi deteriorată.
- Pentru metode speciale de demontare și montare a lamelor de forfecare consultați verso-ul pachetului acestora.

## Demontarea lamelor de forfecare

Întoarceți mașina și slăbiți patru șuruburi.

► **Fig.18:** 1. Apărătoarea pânzei 2. Șuruburi

### NOTĂ:

- Aveți grijă să nu vă murdăriți pe mâini, deoarece în zona de acțiune a lamei de forfecare este aplicată vaselina.

Scoateți capacul inferior.

► **Fig.19:** 1. Capac inferior 2. Apărătoarea pânzei 3. Șuruburi

Îndepărtați placa.

► **Fig.20:** 1. Placă

Fixați pârghia cotită la unghiul indicat în figură cu o șurubelniță cu cap crestă.

► **Fig.21:** 1. Pârghie cotită

Scoateți cele două șuruburi ale lamelor de forfecare și unitatea lamei de forfecare va fi trasă în afară.

► **Fig.22:** 1. Șuruburi 2. Lamă de forfecare

### ⚠️ ATENȚIE:

- Readuceți angrenajul în poziția inițială, în care ar fi fost instalat dacă ar fi fost scos din greșeală.

## Montarea lamelor de forfecare

Pregătiți 4 șuruburi scoase (pentru capacul inferior), 2 șuruburi (pentru lama de forfecare), placă, lamele noi de forfecare și capacul inferior.

Reglați poziția pârghiei cotite ca în figură. În acest moment aplicați vaselina furnizată cu noile lame de forfecare la marginea pârghiei cotite.

► **Fig.23:** 1. Pârghie cotită

Suprapuneți gaura ovală din lama superioară cu cea dintr-o lamă inferioară.

► **Fig.24:** 1. Orificiu oval al lamei de forfecare

Scoateți apărătoarea lamei de la lamele de forfecare vechi și montați-o pe cele noi pentru o manipulare mai ușoară la înlocuirea lamelor.

► **Fig.25**

Așezați lamele de forfecare noi pe mașină astfel încât găurile ovale din lamele de forfecare să se potrivească pe pârghia cotită. Suprapuneți găurile din lamele de forfecare cu găurile pentru șurub din mașină și apoi fixați-le cu două șuruburi.

► **Fig.26:** 1. Orificiu oval al lamei de forfecare 2. Pârghie cotită 3. Șuruburi

Verificați rotirea ușoară a pârghiei cotite cu o șurubelniță cu cap crestă.

► **Fig.27:** 1. Pârghie cotită

Montați placa și capacul inferior pe mașină. Strângeți ferm șuruburile.

### NOTĂ:

- Nu există o distincție între partea superioară și partea inferioară a plăcii.

Demontați apărătoarea lamei și apoi porniți mașina pentru a verifica dacă se mișcă adecvat.

### NOTĂ:

- Când lamele de forfecare nu funcționează corespunzător, există o nepotrivire între lame și pârghia cotită. Reluați de la început.



## Înlocuirea periiilor de carbon

### ► Fig.28: 1. Marcaj limită

Detașați periiile de carbon și verificați-le în mod regulat. Schimbați-le atunci când s-au uzat până la marcajul limită. Periiile de carbon trebuie să fie în permanență curate și să alunece ușor în suport. Ambele perii de carbon trebuie să fie înlocuite simultan cu alte perii identice.

### ► Fig.29: 1. Apărătoarea capacului suportului 2. Șurubelniță cu cap crestă

Introduceți capătul șurubelniței cu cap crestă în canelura din mașină și îndepărtați apărătoarea capacului suportului prin ridicare.

### ► Fig.30: 1. Capacul suportului pentru perii 2. Șurubelniță cu cap crestă

Folosiți o șurubelniță cu cap crestă pentru a demonta capacele port-perie. Scoateți periiile de cărbune uzate, introduceți-le pe cele noi și fixați capacele port-perie. Reinstalați apărătoarea capacului suportului pe mașină.

## Depozitarea

Gaura pentru cârlig din partea inferioară a apărătorii lamei este convenabilă pentru agățarea mașinii de un cui sau șurub de pe perete.

### ► Fig.31

Scoateți cartușul acumulatorului și puneți apărătoarea pe lamele de forfecare astfel încât lamele să nu fie expuse. Depozitați mașina departe de raza de acțiune a copiilor.

Depozitați mașina într-un loc care nu este expus la apă și ploaie.

Pentru a menține siguranța și fiabilitatea mașinii, reparațiile și reglajele trebuie să fie efectuate numai la Centrele de service autorizat Makita, folosindu-se piese de schimb Makita.

## ACCESORII OPȚIONALE

### **⚠ ATENȚIE:**

- Folosiți accesoriile sau piesele auxiliare recomandate pentru mașina dumneavoastră în acest manual. Utilizarea oricăror alte accesorii sau piese auxiliare poate cauza vătămări. Folosiți accesoriile pentru operațiunea pentru care au fost concepute.

Dacă aveți nevoie de asistență sau de mai multe detalii referitoare la aceste accesorii, adresați-vă centrului local de service Makita.

- Apărătoare lamă
- Ansamblu lamă de forfecare
- Acumulator și încărcător original Makita
- Recipient de resturi

### **NOTĂ:**

- Unele articole din listă pot fi incluse ca accesorii standard în ambalajul de scule. Acestea pot diferi în funcție de țară.

## TECHNISCHE DATEN

Modell	DUH551	DUH651
Schneidblattlänge	550 mm	650 mm
Schläge pro Minute (min <sup>-1</sup> )	1.000 - 1.800	
Gesamtlänge	1.065 mm	1.135 mm
Nennspannung	Gleichspannung 36 V	
Netto-Gewicht	4,6 - 5,3 kg	4,7 - 5,5 kg

- Wir behalten uns vor, Änderungen der technischen Daten im Zuge der Entwicklung und des technischen Fortschritts ohne vorherige Ankündigung vorzunehmen.
- Die technischen Daten können von Land zu Land unterschiedlich sein.
- Das Gewicht kann abhängig von dem Aufsatz (den Aufsätzen), einschließlich des Akkus, unterschiedlich sein. Die leichteste und die schwerste Kombination, gemäß dem EPTA-Verfahren 01/2014, sind in der Tabelle angegeben.

### Zutreffende Akkus und Ladegeräte

Akku	BL1815N / BL1820 / BL1820B / BL1830 / BL1830B / BL1840 / BL1840B / BL1850 / BL1850B / BL1860B
Ladegerät	DC18RC / DC18RD / DC18RE / DC18SD / DC18SE / DC18SF

- Einige der oben aufgelisteten Akkus und Ladegeräte sind je nach Ihrem Wohngebiet eventuell nicht erhältlich.

**⚠️ WARNUNG:** Verwenden Sie nur die oben aufgeführten Akkus und Ladegeräte. Bei Verwendung irgendwelcher anderer Akkus und Ladegeräte besteht Verletzungs- und/oder Brandgefahr.

Geräuschpegel	Schalldruckpegel		Schalleistungspegel		Entsprechende Norm oder Richtlinie
	L <sub>PA</sub> (dB (A))	Abweichung K (dB (A))	L <sub>PA</sub> (dB (A))	Abweichung K (dB (A))	
DUH551	81,5	2,1	91	1,5	2000/14/EC
DUH651	82	1,4	91,1	1,5	

- Tragen Sie Gehörschutz.

Schwingung	Angegebene Emission (m/s <sup>2</sup> )	Abweichung K (m/s <sup>2</sup> )	Entsprechende Norm oder Richtlinie
Modell			
DUH551 / DUH651	≤ 2,5	1,5	EN60745-2-15

**HINWEIS:** Die deklarierte Schwingungsbelastung wurde gemäß der Standardtestmethode gemessen und kann für den Vergleich von Werkzeugen untereinander verwendet werden.

**HINWEIS:** Die deklarierte Schwingungsbelastung kann auch in einer vorläufigen Bewertung der Gefährdung verwendet werden.

**⚠️ WARNUNG:** Die Schwingungsbelastung während der tatsächlichen Anwendung des Elektrowerkzeugs kann in Abhängigkeit von der Art und Weise der Verwendung des Werkzeugs vom deklarierten Belastungswert abweichen.

**⚠️ WARNUNG:** Stellen Sie sicher, dass Schutzmaßnahmen für den Bediener getroffen werden, die auf den unter den tatsächlichen Arbeitsbedingungen zu erwartenden Belastungen beruhen (beziehen Sie alle Bestandteile des Arbeitsablaufs ein, also zusätzlich zu den Arbeitszeiten auch Zeiten, in denen das Werkzeug ausgeschaltet ist oder ohne Last läuft).

### Symbole

Nachfolgend werden die für das Gerät verwendeten Symbole beschrieben. Machen Sie sich vor der Benutzung mit ihrer Bedeutung vertraut.



Betriebsanleitung lesen.



Keiner Feuchtigkeit aussetzen.



Ni-MH  
Li-ion

Nur für EU-Länder  
Werfen Sie Elektrogeräte oder Akkus nicht in den Hausmüll!  
Unter Einhaltung der Europäischen Richtlinie über Elektro- und Elektronik-Altgeräte, Batterien, Akkus sowie verbrauchte Batterien und Akkus und ihre Umsetzung gemäß den Landesgesetzen müssen Elektrogeräte und Batterien bzw. Akkus, die das Ende ihrer Lebensdauer erreicht haben, getrennt gesammelt und einer umweltgerechten Recycling-Einrichtung zugeführt werden.

## Vorgesehene Verwendung

Das Werkzeug ist zum Trimmen von Hecken vorgesehen.

## EG-Konformitätserklärung

### Nur für europäische Länder

Die EG-Konformitätserklärung ist als Anhang A in dieser Bedienungsanleitung enthalten.

## Allgemeine Sicherheitshinweise für Elektrowerkzeuge

**⚠️ WARNUNG** Lesen Sie alle Sicherheitswarnungen und -anweisungen sorgfältig durch. Werden die Warnungen und Anweisungen ignoriert, besteht die Gefahr eines Stromschlags, Brands und/oder schweren Verletzungen.

**Bewahren Sie alle Warnhinweise und Anweisungen zur späteren Referenz gut auf.**

## Sicherheitswarnungen für Akku-Heckenschere

- Halten Sie alle Körperteile vom Schneidmesser fern. Versuchen Sie nicht, abgeschnittenes Material zu entfernen oder zu schneiden.** Das Material zu halten, während die Messer sich bewegen. Die Messer laufen nach dem Ausschalten nach. Vergewissern Sie sich, dass der Schalter ausgeschaltet ist, wenn Sie gestautes Material ausräumen. Ein Augenblick der Unachtsamkeit während der Benutzung der Heckenschere kann zu schweren Personenschäden führen.
- Tragen Sie die Heckenschere am Handgriff bei stillstehendem Schneidmesser. Bringen Sie beim Transportieren oder Lagern der Heckenschere immer die Schneidwerkabdeckung an.** Sachgemäße Handhabung der Heckenschere verringert die Gefahr möglicher Personenschäden durch die Schneidmesser.
- Halten Sie das Elektrowerkzeug nur an den isolierten Griffflächen, wenn die Gefahr besteht, dass das Schneidmesser verborgene Kabel kontaktiert.** Wenn die Schneidmesser ein Strom führendes Kabel berühren, können die freiliegenden Metallteile des Elektrowerkzeugs ebenfalls Strom führend werden, so dass der Benutzer einen elektrischen Schlag erleiden kann.
- GEFAHR - Halten Sie Ihre Hände vom Messer fern.** Kontakt mit dem Messer führt zu ernsthaften Personenschäden.
- Benutzen Sie die Heckenschere nicht bei Regen oder unter nassen oder sehr feuchten Bedingungen.** Der Elektromotor ist nicht wasserdicht.
- Anfänger sollten sich von einem erfahrenen Heckenscherenbenutzer im Gebrauch der Schere unterweisen lassen.**
- Die Heckenschere darf nicht von Kindern oder Jugendlichen unter 18 Jahren benutzt werden.** Jugendliche über 16 Jahre können von dieser Einschränkung ausgenommen werden, wenn sie eine Schulung unter der Aufsicht eines Fachmanns durchmachen.
- Benutzen Sie die Heckenschere nur, wenn Sie sich in guter körperlicher Verfassung befinden.** Ermüdung führt zu verminderter Aufmerksamkeit. Besonders hohe Aufmerksamkeit ist am Ende eines Arbeitstages erforderlich. Führen Sie alle Arbeiten ruhig und sorgfältig durch. Der Benutzer ist für alle Schäden an Dritten verantwortlich.
- Benutzen Sie die Schere niemals unter dem Einfluss von Alkohol, Drogen oder Medikamenten.**
- Arbeitshandschuhe aus robustem Leder sind Teil der Grundausrüstung der Heckenschere und müssen bei der Arbeit immer getragen werden. Tragen Sie auch robuste Schuhe mit rutschfesten Sohlen.**
- Bevor Sie mit der Arbeit beginnen, vergewissern Sie sich, dass die Schere in gutem und sicherem Arbeitszustand ist. Vergewissern Sie sich, dass Schutzhauben ordnungsgemäß angebracht sind. Die Heckenschere darf nur in vollständig montiertem Zustand benutzt werden.**
- Achten Sie auf sicheren Stand, bevor Sie mit der Arbeit beginnen.**
- Halten Sie das Werkzeug während der Benutzung mit festem Griff.**
- Lassen Sie das Werkzeug nicht unnötig im Leerlauf laufen.**
- Schalten Sie sofort den Motor aus, und nehmen Sie den Akku ab, falls das Messer mit einem Zaun oder einem anderen harten Objekt in Berührung kommt. Überprüfen Sie das Messer auf Beschädigung, und reparieren Sie es bei Bedarf unverzüglich.**
- Bevor Sie das Messer überprüfen, Fehler beheben oder im Schneidglied verfangenes Material entfernen, schalten Sie immer die Schere aus, und nehmen Sie den Akku ab.**
- Schalten Sie die Schere aus, und nehmen Sie den Akku ab, bevor Sie irgendwelche Wartungsarbeiten ausführen.**
- Wenn Sie die Heckenschere zu einem anderen Ort transportieren, auch während der Arbeit, nehmen Sie immer den Akku ab, und setzen Sie die Messerabdeckung auf die Schneidmesser. Die Schere darf auf keinen Fall mit laufendem Messer getragen oder transportiert werden. Ergreifen Sie das Messer niemals mit Ihren Händen.**
- Reinigen Sie die Heckenschere und insbesondere das Messer nach jedem Gebrauch und vor längerer Lagerung der Schere. Ölen Sie das Messer leicht ein, und bringen Sie die Abdeckung an. Die mit der Einheit gelieferte Abdeckung kann an die Wand gehängt werden und bietet somit eine sichere und praktische Aufbewahrungsart der Heckenschere.**

20. Lagern Sie die Heckenschere mit angebrachter Abdeckung in einem trockenen Raum. Halten Sie sie außer Reichweite von Kindern. Lagern Sie die Schere niemals im Freien.
21. Richten Sie die Schermesser niemals auf sich selbst oder andere Personen.
22. Falls die Messer stehen bleiben, weil sich Fremdkörper während des Betriebs zwischen den Messern verfangen haben, schalten Sie das Werkzeug aus, nehmen Sie den Akku ab, und beseitigen Sie dann die Fremdkörper mithilfe von Werkzeugen, wie z. B. einer Zange. Beseitigen der Fremdkörper von Hand kann zu einer Verletzung führen, da sich die Messer als Reaktion auf die Beseitigung der Fremdkörper bewegen können.
7. Versuchen Sie niemals, den Akku zu verbrennen, selbst wenn er stark beschädigt oder vollkommen verbraucht ist. Der Akku kann im Feuer explodieren.
8. Achten Sie darauf, dass der Akku nicht fallen gelassen oder Stößen ausgesetzt wird.
9. Benutzen Sie keine beschädigten Akkus.
10. Die enthaltenen Lithium-Ionen-Akkus unterliegen den Anforderungen der Gefahrgut-Gesetzgebung.  
Für kommerzielle Transporte, z. B. durch Dritte oder Spediteure, müssen besondere Anforderungen zu Verpackung und Etikettierung beachtet werden.  
Zur Vorbereitung des zu transportierenden Artikels ist eine Beratung durch einen Experten für Gefahrgut erforderlich. Bitte beachten Sie möglicherweise ausführlichere nationale Vorschriften. Überleben oder verdecken Sie offene Kontakte, und verpacken Sie den Akku so, dass er sich in der Verpackung nicht umher bewegen kann.

## DIESE ANWEISUNGEN AUFBEWAHREN.

**⚠️ WARNUNG:** Lassen Sie sich NICHT durch Bequemlichkeit oder Vertrautheit mit dem Produkt (durch wiederholten Gebrauch erworben) von der strikten Einhaltung der Sicherheitsregeln für das vorliegende Produkt abhalten. MISSBRAUCH oder Missachtung der Sicherheitsvorschriften in dieser Anleitung können schwere Verletzungen verursachen.

### Wichtige Sicherheitsanweisungen für Akku

1. Lesen Sie vor der Benutzung des Akkus alle Anweisungen und Warnhinweise, die an (1) Ladegerät, (2) Akku und (3) Akkuwerkzeug angebracht sind.
2. Unterlassen Sie ein Zerlegen des Akkus.
3. Falls die Betriebszeit beträchtlich kürzer geworden ist, stellen Sie den Betrieb sofort ein. Anderenfalls besteht die Gefahr von Überhitzung, möglichen Verbrennungen und sogar einer Explosion.
4. Falls Elektrolyt in Ihre Augen gelangt, waschen Sie sie mit sauberem Wasser aus, und begeben Sie sich unverzüglich in ärztliche Behandlung. Anderenfalls können Sie Ihre Sehkraft verlieren.
5. Der Akku darf nicht kurzgeschlossen werden:
  - (1) Die Kontakte dürfen nicht mit leitfähigem Material berührt werden.
  - (2) Lagern Sie den Akku nicht in einem Behälter zusammen mit anderen Metallgegenständen, wie z. B. Nägel, Münzen usw.
  - (3) Setzen Sie den Akku weder Wasser noch Regen aus.

Ein Kurzschluss des Akkus verursacht starken Stromfluss, der Überhitzung, mögliche Verbrennungen und einen Defekt zur Folge haben kann.
6. Lagern Sie das Werkzeug und den Akku nicht an Orten, an denen die Temperatur 50 °C erreichen oder überschreiten kann.

11. Befolgen Sie die örtlichen Bestimmungen bezüglich der Entsorgung von Akkus.
12. Verwenden Sie die Akkus nur mit den von Makita angegebenen Produkten. Das Einsetzen der Akkus in nicht konforme Produkte kann zu einem Brand, übermäßiger Hitzebildung, einer Explosion oder Auslaufen von Elektrolyt führen.

## DIESE ANWEISUNGEN AUFBEWAHREN.

**⚠️ VORSICHT:** Verwenden Sie nur Original-Makita-Akkus. Die Verwendung von Nicht-Original-Makita-Akkus oder von Akkus, die abgeändert worden sind, kann zum Bersten des Akkus und daraus resultierenden Bränden, Personenschäden und Beschädigung führen. Außerdem wird dadurch die Makita-Garantie für das Makita-Werkzeug und -Ladegerät ungültig.

## Hinweise zur Aufrechterhaltung der maximalen Akku-Nutzungsdauer

1. Laden Sie den Akku, bevor er vollkommen erschöpft ist. Schalten Sie das Werkzeug stets aus, und laden Sie den Akku, wenn Sie ein Nachlassen der Werkzeugleistung feststellen.
2. Unterlassen Sie erneutes Laden eines voll aufgeladenen Akkus. Überladen führt zu einer Verkürzung der Nutzungsdauer des Akkus.
3. Laden Sie den Akku bei Raumtemperatur zwischen 10 – 40 °C. Lassen Sie einen heißen Akku abkühlen, bevor Sie ihn laden.
4. Der Akku muss geladen werden, wenn er lange Zeit (länger als sechs Monate) nicht benutzt wird.

# FUNKTIONSBESCHREIBUNG

## ⚠ VORSICHT:

- Schalten Sie das Werkzeug stets aus und entfernen Sie den Akkublock, bevor Sie Einstellungen oder eine Funktionsprüfung des Werkzeugs vornehmen.

## Montage und Demontage des Akkublocks

► **Abb.1:** 1. Rote Anzeige 2. Taste 3. Akkublock

## ⚠ VORSICHT:

- Schalten Sie das Werkzeug immer aus, bevor Sie den Akkublock einsetzen oder entnehmen.
- **Halten Sie das Werkzeug und den Akkublock sicher fest, wenn Sie den Akkublock einsetzen oder herausnehmen.** Andernfalls könnte Ihnen das Werkzeug oder der Akkublock aus den Händen fallen, sodass das Werkzeug oder der Akkublock beschädigt werden oder diese Verletzungen verursachen.

Zum Entnehmen des Akkublocks müssen Sie die Taste auf der Vorderseite des Akkublocks schieben und gleichzeitig den Akkublock aus dem Werkzeug herausziehen.

Zum Einsetzen des Akkublocks müssen Sie die Zunge des Akkublocks an der Rille im Gehäuse ausrichten und in die gewünschte Position schieben. Setzen Sie den Akkublock ganz ein, bis er mit einem Klick einrastet. Wenn Sie den roten Bereich oben auf der Taste sehen können, ist der Akkublock nicht ganz eingerastet.

## ⚠ VORSICHT:

- Setzen Sie den Akkublock unbedingt ganz ein, bis der rote Bereich nicht mehr zu sehen ist. Andernfalls kann der Akkublock versehentlich aus dem Werkzeug fallen und Sie oder Personen in Ihrem Umfeld verletzen.
- Setzen Sie den Akkublock nicht mit Gewalt ein. Wenn der Akkublock nicht leicht hineingleitet, ist er nicht richtig angesetzt.

## HINWEIS:

- Das Werkzeug funktioniert nicht mit nur einem Akkublock.

## Werkzeug-/Akku-Schutzsystem

Das Werkzeug ist mit einem Werkzeug-/Akku-Schutzsystem ausgestattet. Dieses System schaltet die Stromversorgung des Motors automatisch aus, um die Lebensdauer des Werkzeugs und des Akkus zu verlängern.

Unter folgenden Bedingungen des Werkzeugs und/oder des Akkus kann das Werkzeug während des Betriebs automatisch stoppen. Unter einigen dieser Bedingungen leuchtet die Anzeige auf.

## Überlastungsschutz

Wird das Werkzeug auf eine Weise betrieben, die zu einer abnormal hohen Stromaufnahme führt, stoppt das Werkzeug automatisch ohne jede Anzeige. Schalten Sie in dieser Situation das Werkzeug aus und beenden Sie die Arbeiten, die zu der Überlastung des Werkzeugs geführt haben. Schalten Sie dann das Werkzeug zum erneuten Starten wieder ein.

## Überhitzungsschutz für Werkzeug/Akku

Ist das Werkzeug/ der Akku überhitzt, stoppt das Werkzeug automatisch ohne jede Anzeige. Das Werkzeug startet nicht, selbst wenn der Auslöseschalter betätigt wird. Lassen Sie in dieser Situation das Werkzeug/ den Akku erst abkühlen, bevor Sie das Werkzeug wieder einschalten.

**HINWEIS:** Der Akku-Überhitzungsschutz funktioniert nur bei einem Akkublock mit Sternmarkierung.

► **Abb.2:** 1. Sternmarkierung

## Tiefentladungsschutz

► **Abb.3:** 1. Anzeige Akkuladestatus

Bei geringem Akkuladestand blinkt die Akkuanzeige auf der entsprechenden Akku-Seite. Bei Weiterverwendung stoppt das Werkzeug und die Akkuanzeige leuchtet ca. 10 Sekunden lang auf. Laden Sie in diesem Fall den Akkublock wieder auf.

## Montagepositionen des Griffs

### ⚠ VORSICHT:

- Überprüfen Sie vor der Verwendung des Werkzeugs stets, dass der Griff in der gewünschten Position arretiert ist.

► **Abb.4:** 1. Knopf 2. Gehäuse

Abhängig von den durchzuführenden Arbeiten können Sie den Griff wahlweise links oder rechts in eine 45°- oder 90°-Stellung bringen. Um den Griff zu drehen, den Knopf ziehen und den Griff wie in der Abbildung dargestellt drehen. Der Griff rastet in der 45°-Position ein. Um den Griff in die 90°-Position zu drehen, den Knopf erneut ziehen und den Griff weiter drehen.

## Einschalten

### ⚠ VORSICHT:

- Achten Sie vor dem Einsetzen des Akkublocks in das Werkzeug darauf, dass sich der Auslöseschalter korrekt bedienen lässt und beim Loslassen auf die Position "OFF" (AUS) zurückkehrt.

► **Abb.5:** 1. Griffschalter B 2. Griffschalter A 3. Entsperrungstaste

Zu Ihrer Sicherheit verfügt das Werkzeug über ein Zweifach-Schaltersystem. Um das Werkzeug einzuschalten, die Arretiertaste drücken und die Auslöseschalter A und B drücken. Um das Werkzeug auszuschalten, einen der beiden Auslöseschalter loslassen. Das Werkzeug startet nur, wenn beide Auslöseschalter gedrückt werden.

## Drehzahländerung

### ► Abb.6: 1. Stellrad

Die Takte pro Minute können Sie einfach durch Drehen am Stellrad ändern. Dies ist auch bei laufendem Werkzeug möglich. Das Einstellrad ist mit 1 (niedrigste Schlagzahl) bis 6 (höchste Schlagzahl) beschriftet. In der folgenden Tabelle sind die Zahlenmarken am Einstellrad und die zugehörigen Takte pro Minute angegeben:

Zahl am Stellrad	Schläge pro Minute (min <sup>-1</sup> )
6	1.800
5	1.750
4	1.650
3	1.500
2	1.300
1	1.000

### ⚠ VORSICHT:

- Das Geschwindigkeitsstellrad lässt sich nur bis 6 und zurück auf 1 drehen. Wird es gewaltsam über 6 oder 1 hinaus gedreht, lässt sich die Geschwindigkeit möglicherweise nicht mehr einstellen.
- Die Takte pro Minute variieren vom Zustand des Akkus und dem Zustand der Schneidmesser.

## ARBEIT

### ⚠ VORSICHT:

- Achten Sie darauf, dass Sie während des Schneidens nicht versehentlich mit einem metallischen Anschlag oder anderen harten Gegenständen in Berührung kommen. Das Schneidblatt kann brechen und schwere Verletzungen verursachen.
- Das weite Hinauslehnen mit einer Heckenschere, vor allem von einer Leiter aus, ist äußerst gefährlich. Arbeiten Sie niemals von einem wackligen oder unsicheren Standort aus.

**ANMERKUNG:** Versuchen Sie nicht, Äste von mehr als 10 mm Durchmesser mit dem Werkzeug zu schneiden. Schneiden Sie Äste vor Gebrauch dieses Werkzeugs mit Astschneidern auf 10 cm unter der Schnitthöhe.

### ► Abb.7: (1) Schnitthöhe (2) 10 cm

### ⚠ VORSICHT:

- Schneiden Sie keine toten Äste oder ähnliche harte Gegenstände ab. Zuwiderhandlungen können das Werkzeug beschädigen.

### ► Abb.8

Halten Sie die Heckenschere mit beiden Händen und betätigen Sie den Schalter A oder B. Bewegen Sie anschließend die Heckenschere vor Ihrem Körper.

### ► Abb.9: 1. Schneidrichtung 2. Zu schneidende Heckenfläche 3. Neigen der Messer

Neigen Sie im Grundbetrieb die Schneidblätter in Richtung der Trimmrichtung und bewegen Sie die Heckenschere ruhig und langsam mit einer Geschwindigkeit von 3 bis 4 Sekunden pro Meter.

### ► Abb.10

Zum geraden Schneiden einer Heckenoberkante können Sie eine Schnur in der gewünschten Heckenhöhe spannen und diese beim Schneiden als Referenzlinie verwenden.

### ► Abb.11

Befestigen Sie beim Schneiden der Heckengerade die Spanaufnahme (Sonderzubehör) am Werkzeug, um ein Umherfliegen der Blätter zu vermeiden.

### ► Abb.12

Drehen Sie den Griff vor dem Arbeiten in eine Position, die eine einfache Handhabung gewährleistet. Siehe Abschnitt „Montagepositionen des Griffs“. Zum gleichmäßigen Schneiden der Heckenseite schneiden Sie diese von unten nach oben.

### ► Abb.13

Schneiden Sie Buchsbaum oder Rhododendron für ein hübsches Aussehen und einen guten Schnitt von der Basis zur Spitze.

## Montage und Demontage der Spanaufnahme (Sonderzubehör)

### ⚠ VORSICHT:

- Schalten Sie das Werkzeug aus und ziehen Sie den Akkublock ab, bevor Sie den Spanaufnehmer an- oder abbauen.

### HINWEIS:

- Tragen Sie beim Austauschen der Spanaufnahme immer Arbeitshandschuhe, sodass Sie das Schneidblatt nicht direkt mit den Händen berühren. Anderenfalls kann es zu Verletzungen kommen.
- Achten Sie vor dem Einsetzen der Spanaufnahme darauf, dass Sie die Schneidblattabdeckung entfernt haben.
- Die Spanaufnahme fängt die abgeschnittenen Blätter auf und erleichtert das Aufsammeln der abgefallenen Blätter. Die Spanaufnahme kann an jeder Seite des Werkzeugs befestigt werden.

### ► Abb.14: 1. Drücken 2. Spanaufnehmer 3. Mutter 4. Schneidblatt

Drücken Sie die Spanaufnahme auf die Schneidblätter, sodass die Schlitzlöcher die Muttern auf den Schneidblättern überdecken. Überprüfen Sie in diesem Moment, dass die Spanaufnahme den Astfänger am oberen Ende der Schneidblätter nicht berührt.

### ► Abb.15: 1. Mutter 2. Astfänger

Zu diesem Zeitpunkt muss die Spanaufnahme angebracht werden, damit die Haken in die Kerben im Schneidblatt passen.

### ► Abb.16: 1. Haken 2. Einpassen der Haken in die Kerbe 3. Nuten

Zum Entfernen der Spanaufnahme drücken Sie den Hebel an beiden Seiten, sodass die Haken freigegeben werden.

- **Abb.17:** 1. Drücken der Hebel an beiden Seiten  
2. Lösen der Haken

**⚠ VORSICHT:**

- Die Schneidblattabdeckung kann bei angebrachter Spanaufnahme nicht montiert werden. Entfernen Sie vor dem Transport oder der Lagerung die Spanaufnahme und bringen Sie die Schneidblattabdeckung an, um ein Freiliegen des Blattes zu vermeiden.

**HINWEIS:**

- Prüfen Sie vor der Verwendung die sichere Installation der Spanaufnahme.
- Wenden Sie beim Entfernen der Spanaufnahme keine übermäßigen Kräfte an, wenn die Haken in den Blattkerben eingerastet sind. Die Anwendung übermäßiger Kräfte kann zu Beschädigungen führen.

## WARTUNG

**⚠ VORSICHT:**

- Schalten Sie das Werkzeug stets aus und entfernen Sie den Akkublock, bevor Sie Inspektionen oder Wartungsarbeiten am Werkzeug vornehmen.
- Verwenden Sie zum Reinigen niemals Kraftstoffe, Benzin, Verdünnern, Alkohol oder ähnliches. Dies kann zu Verfärbungen, Verformungen oder Rissen führen.

## Reinigen des Werkzeugs

Reinigen Sie das Werkzeug, indem Sie den Staub mit einem trockenen oder in Seifenlösung getunkten Lappen abwischen.

## Wartung des Sägeblatts

Schmieren Sie das Blatt vor dem Betrieb und nach jeder Betriebsstunde mit Maschinenöl oder ähnlichem.

**HINWEIS:**

- Nehmen Sie vor dem Schmieren des Messers die Spanaufnahme ab.

Entfernen Sie nach dem Betrieb den Staub von beiden Seiten des Blattes mit einer Drahtbürste, wischen Sie den Staub mit einem Lappen ab und tragen Sie anschließend dünnflüssiges Öl, z.B. Maschinenöl usw., oder Sprühschmieröl auf.

**⚠ VORSICHT:**

- Waschen Sie die Blätter nicht mit Wasser ab. Zuwiderhandlungen können zum Rosten führen oder das Werkzeug beschädigen.

**ANMERKUNG:** Falls andere Teile außer den Schermessern, wie z. B. die Kurbel, verschlissen sind, wenden Sie sich für einen Teileaustausch oder Reparaturen an ein autorisiertes Makita-Servicecenter.

## Montage und Demontage des Schneidblatts

**⚠ VORSICHT:**

- Schalten Sie das Werkzeug aus und ziehen Sie den Akkublock ab, bevor Sie das Schneidmesser an- oder abbauen.
- Tragen Sie beim Austauschen des Schneidblattes immer Arbeitshandschuhe und entfernen Sie die Blattabdeckung nicht, sodass Sie das Schneidblatt nicht direkt mit den Händen berühren. Anderenfalls kann es zu Verletzungen kommen.

**HINWEIS:**

- Wischen Sie aus dem Getriebe und von der Kurbelwelle keine Schmiere ab. Zuwiderhandlungen können das Werkzeug beschädigen.
- Besondere Vorgehensweisen zum Entfernen und Anbringen der Schneidblätter finden Sie auf der Rückseite der Verpackung der Zubehörschneidblätter.

## Ausbauen der Schneidblätter

Drehen Sie das Werkzeug um und lösen Sie die vier Schrauben.

- **Abb.18:** 1. Sägeblattabdeckung 2. Schrauben

**HINWEIS:**

- Achten Sie darauf, dass Sie sich Ihre Hände nicht beschmieren, denn im Antriebsbereich des Schneidblattes wurde Schmiermittel aufgetragen.

Entfernen Sie die untere Abdeckung.

- **Abb.19:** 1. Untere Abdeckung  
2. Sägeblattabdeckung 3. Schrauben

Nehmen Sie die Platte ab.

- **Abb.20:** 1. Tiefeneinstellskala

Stellen Sie die Kurbelwelle mit einem Schlitzschraubendreher auf den in der Abbildung dargestellten Winkel ein.

- **Abb.21:** 1. Kurbelwelle

Entfernen Sie die zwei Schrauben von den Schneidblättern und Sie können das Schneidblatt herausnehmen.

- **Abb.22:** 1. Schrauben 2. Schneidblatt

**⚠ VORSICHT:**

- Setzen Sie das Getriebe wieder in der Ursursungsposition ein, falls Sie es versehentlich herausgenommen haben.

## Anbauen der Schneidblätter

Bereiten Sie die 4 entfernten Schrauben (für die untere Abdeckung), die 2 Schrauben (für das Schneidblatt), die Platte und die neuen Schneidblätter vor.

Passen Sie die Kurbelwellenposition wie in der Abbildung dargestellt an. Tragen Sie jetzt etwas Schmiermittel mit den neuen Schneidblättern am Rand der Kurbelwelle auf.

- **Abb.23:** 1. Kurbelwelle

Bringen Sie das ovale Loch im oberen Blatt mit dem im unteren Blatt in Übereinstimmung.

► **Abb.24:** 1. Ovale Loch im Schneidmesser

Nehmen Sie die Blattabdeckung von den alten Schneidblättern ab und passen Sie diese auf die neuen an, um eine einfachere Handhabung während des Austauschs der Blätter zu ermöglichen.

► **Abb.25**

Platzieren Sie die neuen Schneidblätter so auf dem Werkzeug, dass die ovalen Löcher in den Schneidblättern auf die Kurbelwelle passen. Bringen Sie die Löcher in den Schneidblättern mit den Schraubenlöchern im Werkzeug in Übereinstimmung und sichern Sie diese mit zwei Schrauben.

► **Abb.26:** 1. Ovale Loch im Schneidmesser  
2. Kurbelwelle 3. Schrauben

Prüfen Sie mit einem Schlitzschraubendreher, dass sich die Kurbelwelle ruckfrei dreht.

► **Abb.27:** 1. Kurbelwelle

Bringen Sie die Platte und untere Abdeckung wieder an. Ziehen Sie die Schrauben fest an.

#### HINWEIS:

- Ober- und Unterseite der Platte unterscheiden sich nicht.

Entfernen Sie die Blattabdeckung und schalten Sie das Werkzeug an, um die ordnungsgemäße Bewegung zu überprüfen.

#### HINWEIS:

- Wenn sich die Schneidblätter nicht ordnungsgemäß bewegen, liegt zwischen Blättern und Kurbelwelle eine schlechte Passform vor. Führen Sie den Vorgang erneut von Beginn an durch.

## Kohlenwechsel

► **Abb.28:** 1. Grenzmarke

Nehmen Sie die Kohlen regelmäßig heraus und wechseln Sie sie. Wenn sie bis zur Grenzmarke verbraucht sind, müssen sie ausgewechselt werden. Die Kohlen müssen sauber sein und locker in ihre Halter hineinfallen. Die beiden Kohlen müssen gleichzeitig ausgewechselt werden. Verwenden Sie ausschließlich gleiche Kohlen.

► **Abb.29:** 1. Halterkappenabdeckung  
2. Schlitzschraubendreher

Setzen Sie das obere Ende des Schlitzschraubendrehers in die Kerbe am Werkzeug ein, und entfernen Sie die Abdeckung der Halterkappe, indem Sie diese anheben.

► **Abb.30:** 1. Kohlenhalterdeckel  
2. Schlitzschraubendreher

Nehmen Sie die Bürstenhalterkappen mit Hilfe eines Schlitzschraubendrehers ab. Entnehmen Sie die abgenutzten Kohlebürsten, setzen Sie neue Bürsten ein und bringen Sie die Bürstenhalterkappen wieder fest an. Befestigen Sie die Abdeckung der Halterkappe wieder am Gerät.

## Lagerung

Zum Aufhängen des Werkzeugs an einem Nagel oder einer Schraube in der Wand ist der Hakendurchbruch im unteren Bereich der Blattabdeckung praktisch.

► **Abb.31**

Nehmen Sie den Akkublock heraus und bringen Sie die Messerabdeckung auf den Schneidmessern an, damit die Messer nicht frei liegen. Bewahren Sie das Werkzeug außerhalb der Reichweite von Kindern auf. Bewahren Sie das Werkzeug an einem Platz auf, wo es weder Wasser noch Regen ausgesetzt ist. Zur Aufrechterhaltung der SICHERHEIT und ZUVERLÄSSIGKEIT des Produkts müssen die Reparaturen und alle Wartungen und Einstellungen von den autorisierten Servicestellen der Firma Makita und unter Verwendung der Ersatzteile von Makita durchgeführt werden.

## SONDERZUBEHÖR

### ⚠ VORSICHT:

- Für Ihr Werkzeug Makita, das in dieser Anleitung beschrieben ist, empfehlen wir folgende Zubehörteile und Aufsätze zu verwenden. Bei der Verwendung anderer Zubehörteile oder Aufsätze kann die Verletzungsgefahr für Personen drohen. Die Zubehörteile und Aufsätze dürfen nur für ihre festgelegten Zwecke verwendet werden.

Wenn Sie nähere Informationen bezüglich dieses Zubehörs benötigen, wenden Sie sich bitte an Ihre örtliche Servicestelle der Firma Makita.

- Schneidblattabdeckung
- Schneidblatt-Baugruppe
- Originalakku und Ladegerät von Makita
- Spanaufnehmer

### HINWEIS:

- Einige der in der Liste aufgeführten Elemente sind dem Werkzeugpaket als Standardzubehör beigelegt. Diese können in den einzelnen Ländern voneinander abweichen.



## RÉSZLETES LEÍRÁS

Modell	DUH551	DUH651
Kés hossza	550 mm	650 mm
Löketszám percenként (min <sup>-1</sup> )	1000 - 1800	
Teljes hossz	1065 mm	1135 mm
Névleges feszültség	36 V, egyenáram	
Tiszta tömeg	4,6 - 5,3 kg	4,7 - 5,5 kg

- Folyamatos kutató- és fejlesztőprogramunk eredményeként az itt felsorolt tulajdonságok figyelmeztetés nélkül megváltozhatnak.
- A tulajdonságok országról országra különbözhetnek.
- A súly a felszerelt tartozékoktól függően változhat, az akkumulátort is beleértve. Az EPTA 01/2014 eljárás szerint meghatározott legnehezebb, illetve legkönnyebb kombináció a táblázatban látható.

### Alkalmazható akkumulátorok és töltők

Akkumulátor	BL1815N / BL1820 / BL1820B / BL1830 / BL1830B / BL1840 / BL1840B / BL1850 / BL1850B / BL1860B
Töltő	DC18RC / DC18RD / DC18RE / DC18SD / DC18SE / DC18SF

- Lakóhelyétől függően előfordulhat, hogy a fent felsorolt akkumulátorok és töltők nem érhetőek el.

**▲ FIGYELMEZTETÉS:** Csak a fentiekben felsorolt akkumulátorokat és töltőket használja. Bármilyen más akkumulátor vagy töltő használata sérüléseket és/vagy tüzet okozhat.

Zaj	Hangnyomásszint		Hangteljesítményszint		Vonatkozó szabvány vagy irányelv
	L <sub>PA</sub> (dB (A))	K térés (dB (A))	L <sub>PA</sub> (dB (A))	K térés (dB (A))	
Modell					
DUH551	81,5	2,1	91	1,5	2000/14/EC
DUH651	82	1,4	91,1	1,5	

- Viseljen fülvédőt.

Vibráció	Megadott kibocsátás (m/s <sup>2</sup> )	K térés (m/s <sup>2</sup> )	Vonatkozó szabvány vagy irányelv
Modell			
DUH551 / DUH651	≤ 2,5	1,5	EN60745-2-15

**MEGJEGYZÉS:** A rezgés kibocsátás értéke a szabványos vizsgálati eljárásnak megfelelően lett mérve, és segítségével az elektromos kéziszerszámok összehasonlíthatók egymással.

**MEGJEGYZÉS:** A rezgés kibocsátás értékének segítségével előzetesen megbecsülhető a rezgésnek való kitettség mértéke.

**▲ FIGYELMEZTETÉS:** A szerszám rezgés kibocsátása egy adott alkalmazásnál eltérhet a megadott értéktől a használat módjától függően.

**▲ FIGYELMEZTETÉS:** Határozza meg a kezelő védelmét szolgáló munkavédelmi lépéseket, melyek az adott munkafeltételek mellett a vibrációs hatás becsült mértékén alapulnak (figyelembe véve a munkaciklus elemeit, mint például a gép leállításának és üresjáratának mennyiségét az elindítások száma mellett).

### Szimbólumok

A következőkben a berendezésen használt jelképek láthatók. A szerszám használata előtt bizonyosodjon meg arról hogy helyesen értelmezi a jelentésüket.



Olvassa el a használati utasítást.



Óvja a készüléket eső és nedvesség hatásától.



Ni-MH  
Li-ion

Csak EU-tagállamok számára  
Az elektromos berendezéseket és akkumulátorokat ne dobja a háztartási szeméttel! Az Európai Unió használt elektromos és elektronikus berendezésekre vonatkozó irányelvei, illetve az elemekről és akkumulátorokról, valamint a hulladékelemekről és akkumulátorokról szóló irányelv, továbbá azoknak a nemzeti jogba való átültetése szerint az elhasznált elektromos berendezéseket, elemeket és akkumulátorokat külön kell gyűjteni, és környezetbarát módon kell gondoskodni újrahasznosításukról.

## Rendeltetés

A szerszám sövénynyírásra szolgál.

## EK Megfelelőségi nyilatkozat

*Csak európai országokra vonatkozóan*

Az EK-megfelelőségi nyilatkozat az útmutató „A” mellékletében található.

## A szerszámgépekre vonatkozó általános biztonsági figyelmeztetések

**⚠ FIGYELEM** Olvassa el az összes biztonsági figyelmeztetést és utasítást. Ha nem tartja be a figyelmeztetéseket és utasításokat, akkor áramütést, tüzet és/vagy súlyos sérülést okozhat.

**Őrizzen meg minden figyelmeztetést és utasítást a későbbi tájékozódás érdekében.**

## Az akkumulátoros sövénynyíróra vonatkozó biztonsági figyelmeztetések

1. **Ügyeljen rá, hogy teste semmilyen része ne kerüljön a fűrészlap közelébe.** Amikor a kések mozognak, ne távolítsa el a levágott anyagot, és ne tartsa a kezében a kivágni kívánt anyagot. A fűrészlap szabadon forog a kikapcsolás után. **Ügyeljen rá, hogy a gép kikapcsolt állapotban legyen, amikor elakadt anyagot távolít el.** A sövénynyíró használata közben egy pillanatra figyelmen kívül hagyhatja a személyi sérüléshez vezethet.
2. **A sövénynyírót a fogantyúnál fogva, leállított fűrészlappal szállítsa.** A sövénynyíró szállításához és tárolásához mindig illesse fel a vágóeszköz burkolatát. A sövénynyíró helyes használatával a fűrészlap okozta személyi sérülések megelőzhetők.
3. **Kizárólag a szigetelt markolási felületeinél fogva tartsa az elektromos szerszámot, mert fennáll a veszélye, hogy a fűrészlap rejtett vezetékbe ütközik.** Ha a fűrészlap feszültség alatt lévő vezetékkel érintkezik, az elektromos szerszám fém alkatrészei is áram alá kerülhetnek, és áramütés érheti a kezelőt.
4. **VESZÉLY - Tartsa távol a kezét a fűrészlaptól.** A fűrészlap megérintése súlyos személyi sérüléshez vezethet.
5. **Ne használja a sövénynyírót esőben, nedves vagy nagyon páras körülmények között.** Az elektromos motor nem vízálló.
6. **A szerszámot először használó személyeknek egy tapasztalt sövénynyíró-kezelő mutassa meg a sövénynyíró használatát.**
7. **18 év alatti fiatalok vagy gyerekek nem használhatják a sövénynyírót.** Mentésülhetnek a tilalom alól az olyan 16 év feletti fiatalok, akik szakember által felügyelt betanításban részesülnek.
8. **A sövénynyírót csak jó fizikai állapotban lévő személyek használják.** A fáradtság figyelmen kívül hagyható. Különböző elővigyázatossággal járjon el a munkanap végén. Minden munkát nyugodtan és elővigyázatosan végezzen. A harmadik félnek okozott károkért a felhasználó felelős.
9. **Soha ne használja a sövénynyírót, amikor alkohol, kábítószer vagy gyógyszer hatása alatt áll.**

10. **Az erős bőrből készült munkakesztyűk a sövénynyíró alapfelszerelésének részét képezik, és a használatokor mindig fel kell venni azokat.** Emellett viseljen csúszásgátló talppal ellátott, kemény lábbelit.
11. **A munka megkezdése előtt győződjön meg arról, hogy a sövényvágó állapota jó, és megfelelő a biztonságos munkavégzésre.** **Ügyeljen rá, hogy a védőburkolatok megfelelően fel legyenek szerelve.** A sövénynyírót csak teljesen összeszerelt állapotban szabad használni.
12. **Ügyeljen arra, hogy biztosan álljon, mielőtt megkezdni a munkát.**
13. **Használat közben erősen tartsa a szerszámot.**
14. **Ne működtesse a szerszámot terhelés nélkül főlegesen.**
15. **Azonnal kapcsolja ki a motort és vegye ki az akkumulátort, ha a vágószerszám a kerítéshez vagy más kemény tárgyhoz ért.** Ellenőrizze, hogy a vágószerszám nem sérült-e meg. Ha sérülést észlel, haladéktalanul gondoskodjon a javításáról.
16. **A vágószerszám ellenőrzése, a hibák kijavítása vagy a vágószerszám elakadt anyag eltávolítása előtt mindig kapcsolja ki a sövénynyírót, és vegye ki belőle az akkumulátort.**
17. **Az esetleges karbantartások elvégzése előtt mindig kapcsolja ki a sövénynyírót, és távolítsa el az akkumulátort.**
18. **A sövénynyíróból szállítás előtt (még munka közbeni szállításkor is) vegye ki az akkumulátort, és tegye fel a fűrészlap védőburkolatát.** **Soha ne vigye és ne szállítsa a sövénynyírót mozgó vágószerszámmal.** **Soha ne fogja meg kézzel a vágószerszámot.**
19. **Használat után és hosszabb ideig tartó tárolás előtt tisztítsa meg a sövénynyírót, különösen tekintettel a vágószerszámmra.** **Kissé olajozza be a vágószerszámot, majd tegye rá a védőburkolatot.** A készülékhez mellékelt burkolat felakasztható a falra, így a sövénynyíró biztonságosan és praktikusán tárolható.
20. **A sövénynyírót mindig felrakott burkolattal, száraz helyen tárolja.** **Gyermekektől tartsa távol.** **Soha ne tárolja a sövénynyírót a szabadban.**
21. **Soha ne irányítsa a nyírópengéket önmagára vagy másokra.**
22. **Ha a pengék mozgása leáll, mert működés közben idegen tárgyak szorultak a pengék közé, kapcsolja ki a szerszámot, és távolítsa el az akkumulátort, majd szerszám, például fogó segítségével távolítsa el az idegen tárgyakat.** **Az idegen tárgyak kézzel történő eltávolítása sérülést okozhat, mert az idegen tárgyak eltávolítására válaszképpen a pengék megmozdulhatnak.**

## ŐRIZZE MEG EZEKET AZ UTASÍTÁSOKAT.

**⚠ FIGYELMEZTETÉS: NE HAGYJA,** hogy (a termék többszöri használatából eredő) kényelem és megszokás váltsa fel a termék biztonsági előírásainak szigorú betartását. **A HELYTELEN HASZNÁLAT** és a használati útmutatóban szereplő biztonsági előírások megszegése súlyos személyi sérülésekhez vezethet.

## Fontos biztonsági utasítások az akkumulátorra vonatkozóan

1. Az akkumulátor használata előtt tanulmányozza át az akkumulátortöltőt (1), az akkumulátoron (2) és az akkumulátorral működtetett terméken (3) olvasható összes utasítást és figyelmeztető jelzést.
2. Ne szerelje szét az akkumulátort.
3. Ha a működési idő nagyon lerövidült, azonnal hagyja abba a használatot. Ez a túlmelegedés, esetleges égések és akár robbanás veszélyével is járhat.
4. Ha elektrolit kerül a szemébe, mossa ki azt tiszta vízzel és azonnal kérjen orvosi segítséget. Ez a látásának elvesztését okozhatja.
5. Ne zárja rövidre az akkumulátort:
  - (1) Ne érjen az érintkezőkhöz elektromosan vezető anyagokkal.
  - (2) Ne tárolja az akkumulátort más fémtárgyakkal, mint pl. szegekkel, érmékkel, stb. egy helyen.
  - (3) Ne tegye ki az akkumulátort víznek vagy esőnek.

Az akkumulátor rövidzárlata nagy áramerősséget, túlmelegedést, égéseket, sőt akár meghibásodást is okozhat.
6. Ne tárolja a szerszámot vagy az akkumulátort olyan helyen, ahol a hőmérséklet elérheti vagy meghaladhatja az 50 °C-ot (122 °F).
7. Ne egésze el az akkumulátort még akkor sem, ha az komolyan megsérült vagy teljesen elhasználódott. Az akkumulátor a tűzben felrobbanhat.
8. Vigyázzon, ne hagyja leejtse vagy megüsse az akkumulátort.
9. Ne használjon sérült akkumulátort.
10. A készülékben található lítium-ion akkumulátorokra a veszélyes árukkal kapcsolatos előírások vonatkoznak. A termék pl. harmadik felek, fuvarozó cégek stb. által történő szállítása esetén minden esetben tartsa szem előtt a csomagoláson és a címkén található speciális követelményeket. A termék szállítása történő felkészítése esetén vegye fel a kapcsolatot egy veszélyes anyagokkal foglalkozó szakemberrel. Kérjük, hogy az esetlegesen szigorúbb nemzeti előírásokat is vegye figyelembe. Ragassza le a kiálló érintkezőket, illetve oly módon csomagolja be az akkumulátort, hogy az ne tudjon elmozdulni a csomagolásban.
11. **Az akkumulátor ártalmatlanításakor tartsa be a helyi előírásokat.**
12. **Az akkumulátorokat csak a Makita által megjelölt termékekhez használja.** Ha az akkumulátorokat azokkal nem kompatibilis termékekbe helyezi, az tűzhöz, túlmelegedéshez, robbanáshoz vagy elektrolitszivárgáshoz vezethet.

## ŐRIZZE MEG EZEKET AZ UTASÍTÁSOKAT.

**⚠ VIGYÁZAT:** Csak eredeti Makita akkumulátorokat használjon. A nem eredeti Makita akkumulátorok vagy módosított akkumulátorok használata esetén az akkumulátor felrobbanhat, ami tüzet, személyi sérülést és anyagi kárt okozhat. A Makita szerszámra és töltőre vonatkozó Makita garanciát is érvénytelenítheti.

## Tippek az akkumulátor maximális élettartamának eléréséhez

1. Töltse fel az akkumulátort, mielőtt teljesen lemerülne. Állítsa le a gépet, és töltsse fel az akkumulátort, ha a gép erejének csökkenését észleli.
2. Soha ne töltsse újra a teljesen feltöltött akkumulátort. A túltöltés csökkenti az akkumulátor élettartamát.
3. Töltse az akkumulátort szobahőmérsékleten, 10 °C - 40 °C (50 °F - 104 °F) között. Töltés előtt hagyja lehűlni a fölforrósodott akkumulátort.
4. Töltse fel az akkumulátort, ha hosszabb ideje (több mint hat hónapja) nem használta azt.

## MŰKÖDÉSI LEÍRÁS

### ⚠ VIGYÁZAT:

- Minden esetben ellenőrizze, hogy a szerszám ki van kapcsolva és az akkumulátor eltávolításra került mielőtt beállít vagy ellenőriz valamilyen funkciót a szerszámon.

## Az akkumulátor behelyezése és eltávolítása

▶ **Ábra1:** 1. Piros jelölés 2. Gomb 3. Akkumulátor

### ⚠ VIGYÁZAT:

- Mindig kapcsolja ki az eszközt, mielőtt behelyezi vagy eltávolítja az akkumulátort.
- **Az akkumulátort és a szerszámot tartsa erősen, amikor az akkumulátort a szerszámmra helyezi vagy eltávolítja arról.** Amennyiben nem így jár el, a szerszám vagy az akkumulátor a kezéből kicsúszhat és megsérülhet, illetve személyi sérülést okozhat.

Az akkumulátoregység kivételéhez nyomja be az akkumulátoregység elején található gombot, és tolja ki az egységet.

Az akkumulátor beszereléséhez illesse az akkumulátor nyelvét a burkolaton található vátatba és csúsztassa a helyére. Egészen addig tolja be, amíg egy kis kattánással a helyére nem ugrik. Ha látható a piros jelölés a gomb felső oldalán, akkor a gomb nem kattant be teljesen.

### ⚠ VIGYÁZAT:

- Mindig tolja be teljesen az akkumulátort, amíg a piros jelölés el nem tűnik. Ha ez nem történik meg, akkor az akkumulátor kieshet a szerszámból, és Önnek vagy a környezetében másnak sérülést okozhat.
- Ne erőltesse be az akkumulátort. Ha az akkumulátor nem csúszik be könnyedén, akkor nem megfelelően lett behelyezve.

### MEGJEGYZÉS:

- A szerszám nem használható csak egy akkumulátorral.

## Szerszám-/akkumulátorvédő rendszer

A szerszám szerszám-/akkumulátorvédő rendszerrel van felszerelve. A rendszer automatikusan kikapcsolja a motor áramellátását, így megnöveli a szerszám és az akkumulátor élettartamát.

A szerszám használat közben automatikusan leáll, ha a szerszám vagy az akkumulátor a következő állapotba kerül: Bizonyos állapotokban a jelzőfények világítanak.

## Túlterhelés-védelem

Ha a szerszámot úgy használják, hogy a rendelkezés nagy áramot vesz fel, akkor a szerszám mindenfajta jelzés nélkül leáll. Ilyenkor kapcsolja ki a szerszámot, és állítsa le azt az alkalmazást, amelyik a túlterhelést okozza. Újraindításhoz kapcsolja be a szerszámot.

## Túlterhelés-védelem szerszámhoz/akkumulátorhoz

A szerszám/akkumulátor túlmelegedése esetén a szerszám mindenfajta jelzés nélkül leáll. A szerszám a kioldókapcsoló meghúzásának hatására sem indul be. Ilyenkor hagyja kihűlni a szerszámot/akkumulátort, mielőtt a szerszámot ismét bekapcsolná.

**MEGJEGYZÉS:** Az akkumulátor-túlmelegedés elleni védelem csak csillaggal jelölt akkumulátorral működik.

► **Ábra2:** 1. Csillag jelzés

## Mélykisütés elleni védelem

► **Ábra3:** 1. Akkumulátortöltöttség-jelző

Ha a rendelkezésre álló akkumulátorkapacitás lecsökken, akkor villogni kezd a megfelelő oldali akkumulátor akkumulátorjelzője. További használat esetén a szerszám leáll, és az akkumulátorjelző körülbelül 10 másodpercen keresztül világít. Ilyen esetben töltsse fel az akkumulátort.

## A fogantyú felszerelési helyzetei

### ⚠ VIGYÁZAT:

- A használat előtt mindig ellenőrizze, hogy a fogantyú a kívánt pozícióban reteszlődik-e.

► **Ábra4:** 1. Gomb 2. Készülékház

A működésétől függően a fogantyú szögét beállíthatja 45° vagy 90°-os pozícióban a jobb vagy a bal oldalon. A fogantyú elfordításához húzza meg a gombot és fordítsa el a fogantyút az ábrán látható módon. A fogantyú a 45°-os helyzetben reteszlődik. A fogantyú 90°-os helyzetéhez húzza meg újra a gombot és fordítsa el jobban a fogantyút.

## A kapcsoló használata

### ⚠ VIGYÁZAT:

- Mielőtt behelyezi az akkumulátort a szerszámba, mindig ellenőrizze, hogy a kioldókapcsoló hibátlanul működik és az "OFF" állásba áll felfüggesztéskor.

► **Ábra5:** 1. B kioldókapcsoló 2. A kioldókapcsoló 3. Kireteszelőgomb

Az Ön biztonsága érdekében a szerszám kettős kapcsolórendszerrel van felszerelve. A szerszám bekapcsolásához nyomja meg a kireteszelő gombot, és húzza meg az A és B kioldókapcsolót. A kioldó kikapcsolásához engedje fel az egyik kioldókapcsolót. A szerszám csak akkor indul el, ha mindkét kioldókapcsolót meghúzza.

## Sebességváltás

► **Ábra6:** 1. Szabályozótárcsa

A percenkénti löketség szám a szabályozótárcsa elforgatásával állítható. Ez akár a szerszám működése közben is elvégezhető. A tárcsán az 1 jelzi a legalacsonyabb, míg a 6 a legmagasabb sebességet.

Tájékozódjon az alábbi táblázatból a szabályozótárcsán beállított szám és a percenkénti löketség közötti összefüggésről.

Szám a szabályozótárcsán	Löketség percenként (min <sup>-1</sup> )
6	1800
5	1750
4	1650
3	1500
2	1300
1	1000

### ⚠ VIGYÁZAT:

- A sebességszabályozó tárcsa csak a 6 számig fordítható el, visszafelé pedig az 1-ig. Ne erőltesse azt a 6 vagy 1 jelzéseken túl, mert a sebességszabályozó funkció nem fog tovább működni.
- A percenkénti löketség szám az akkumulátor és a nyírókések állapotától függően változik.

## ÜZEMELTETÉS

### ⚠ VIGYÁZAT:

- Ügyeljen rá, nehogy véletlenül hozzáérinten egy fémkerítéshez vagy más kemény tárgyhoz a nyírás közben. A kés eltörik, és komoly sérülést okozhat.
- A sövényvágóval az átnyúlás, különösen egy létráról, különösen veszélyes. Ne dolgozzon semmilyen billegő vagy nem stabil helyről.

**MEGJEGYZÉS:** Ne próbálja meg 10 mm-nél vastagabb átmérőjű ágakat átvágni a szerszámmal. A szerszám használata előtt egy ágvágó segítségével vágja a vágási magasságnál 10 cm-rel kisebbre az ágakat.

► **Ábra7:** (1) Vágási magasság (2) 10 cm

#### **⚠ VIGYÁZAT:**

- Ne vágjon kiszáradt fákat, vagy más kemény tárgyakat. Ennek figyelmen kívül hagyása a szerszám károsodásához vezet.

► **Ábra8**

Két kézzel fogja meg a sövényvágót, húzza meg az A és B kioldókapszolókat, majd mozgassa a szerszámot a teste előtt.

► **Ábra9:** 1. Nyírási irány 2. A nyírmű kívánt sövényfelület 3. Döntse meg a késeket.

Alapvető műveletként döntse meg a késeket a nyírás irányában és mozgassa azt nyugodt, lassú tempóban, 3 - 4 másodpercet számítva egy méterre.

► **Ábra10**

A sövény tetejének egyenes vágásakor segít, ha egy kötelet feszít ki a kívánt magasságban és ezt referenciavonalnak használva ennek mentén végzi a nyírást.

► **Ábra11**

A forgácstálca (opcionális kiegészítő) felszerelése a sövény egyenes vágásakor segít megelőzni a levágott levelek elszóródását.

► **Ábra12**

A használat megkezdése előtt fordítsa el a fogantyút a könnyű kezelhetőség érdekében. Lásd: „A fogantyú felszerelési helyzete” című fejezetet.

A sövény oldalának egyenletes vágásakor segít, ha alulról felfelé halad a vágással.

► **Ábra13**

Puszpáng vagy rododendron nyírásakor alulról felfelé haladva szép megjelenés és jó minőségű munka érhető el.

## **A forgácstálca (opcionális kiegészítő) felhelyezése és eltávolítása**

#### **⚠ VIGYÁZAT:**

- A nyesedékkerelő lap felhelyezése vagy eltávolítása előtt minden esetben ellenőrizze, hogy a szerszám ki van kapcsolva, és az akkumulátor eltávolításra került.

#### **MEGJEGYZÉS:**

- A forgácstálca felszereléskor mindig viseljen kesztyűt, hogy a kezei és az arca ne érjenek közvetlenül a késhez. Ennek figyelmen kívül hagyása személyi sérüléshez vezethet.
- Ügyeljen rá, hogy a forgácstálca felszerelése előtt mindig vegye le a késvédőt.
- A forgácstálca összegyűjti a levágott leveleket csökkenti a szétszóródó levelek mennyiségét. Ez a szerszám mindkét oldalára felszerelhető.

► **Ábra14:** 1. Nyomja le 2. Forgácstálca 3. Anya 4. Nyírókés

Nyomja rá a forgácstalcát a nyírókésekre úgy, hogy nyílásai átfedjenek a nyírókéseken található anyákkal. Most ellenőrizze, hogy a forgácstálca nem ér az árgóhoz a nyírókések felső részén.

► **Ábra15:** 1. Anya 2. Ágfogó

Most a forgácstalcát úgy kell felszerelni, hogy az akasztók illeszkedjenek a nyírókés egységen található vágatokba.

► **Ábra16:** 1. Akasztók 2. Illesse az akasztókat a vágatba 3. Hornyok

A forgácstálca eltávolításához nyomja le a kart annak két oldalán, hogy az akasztók kioldjanak.

► **Ábra17:** 1. Nyomja meg a karokat a két oldalon 2. Oldja ki az akasztókat

#### **⚠ VIGYÁZAT:**

- A késvédő nem szerelhető fel a szerszámmal, ha a forgácstálca fel van szerelve. A szállítás vagy tárolás előtt vegye le a forgácstalcát, majd szerelje fel a késvédőt a kés megvédése érdekében.

#### **MEGJEGYZÉS:**

- A használat előtt ellenőrizze a forgácstálca biztonságos rögzítését.
- Soha ne próbálja túlzott erővel eltávolítani a forgácstalcát, ha az akasztói rögzítve vannak a kés egység vágataiban. A túlzott erő alkalmazása károsíthatja azt.

## **KARBANTARTÁS**

#### **⚠ VIGYÁZAT:**

- Minden esetben ellenőrizze, hogy a szerszám ki van kapcsolva és az akkumulátor eltávolításra került mielőtt átvizsgálja a szerszámot vagy annak karbantartását végzi.
- Soha ne használjon gázolajt, benzint, hígítót, alkoholt vagy hasonló anyagokat. Ezek elszíneződést, alakvesztést vagy repedést okozhatnak.

### **A szerszám tisztítása**

Tisztítsa meg a szerszámot úgy, hogy letörli a port egy száraz, vagy szappanos vízbe mártott rongydarabbal.

### **A kés karbantartása**

Kenje meg a kést a használat előtt és közben óránként egyszer gépolajjal, vagy más hasonló rendeltetésű anyaggal.

#### **MEGJEGYZÉS:**

- A kés kenése előtt szerelje le a forgácstalcát.

A használat után egy drótkéfével távolítsa el a port a kés mindkét oldaláról, törölje le egy rongydarabbal, majd kenje meg megfelelő mennyiségű alacsony viszkozitású olajjal, mint például gépolajjal stb. és aeroszolos kenőolajjal.

### **⚠ VIGYÁZAT:**

- Ne mossa a késeket vízben. Ennek figyelmen kívül hagyása a szerszám károsodásához vezet.

**MEGJEGYZÉS:** Ha a nyírópengéken kívüli egyéb alkatrész, például a forgattyú elhasználódik, forduljon egy hivatalos Makita szervizközponthoz cserealkatrészért vagy javításért.

## **A nyírókés eltávolítása és felszerelése**

### **⚠ VIGYÁZAT:**

- A vágókés eltávolítása vagy felszerelése előtt minden esetben ellenőrizze, hogy a szerszám ki van-e kapcsolva és az akkumulátor ki van-e szedve a gépből.
- A nyírókés cseréjekor mindig viseljen kesztyűt, és ne távolítsa el a késvédőt, hogy a kezei és az arca ne érjenek közvetlenül a késhez. Ennek figyelmen kívül hagyása személyi sérüléshez vezethet.

### **MEGJEGYZÉS:**

- Ne törölje le a zsírt a fogaskerékről és a forgattyúról. Ennek figyelmen kívül hagyása a szerszám károsodásához vezet.
- A nyírókés eltávolításának és felszerelésének speciális módjáról tájékozódjon a kiegészítő nyírókés csomagolásának hátoldaláról.

## **A nyírókés eltávolítása**

Fordítsa meg a szerszámot és lazítsa meg a négy csavart.

▶ **Ábra18:** 1. Fűrészlapvédő 2. Csavarok

### **MEGJEGYZÉS:**

- Figyeljen rá, hogy ne kosolja össze a kezeit, mert a nyírókés hajtóterülete be van zsírozva.

Távolítsa el az alsó fedelet.

▶ **Ábra19:** 1. Alsó fedél 2. Fűrészlapvédő 3. Csavarok

Távolítsa el a pozicionáló lemezt.

▶ **Ábra20:** 1. Lemez

Egy hornyolt fejú csavarhúzóval állítsa be a forgattyút bizonyos szögben az ábrán látható módon.

▶ **Ábra21:** 1. Forgattyú

Távolítsa el a két csavart a nyírókésből, és a nyírókés egység kivehetővé válik.

▶ **Ábra22:** 1. Csavarok 2. Nyírókés

### **⚠ VIGYÁZAT:**

- Ha a fogaskerék tévedésből lett leszerelve, azt ugyanúgy kell visszarakni a helyére, ahogy eredetileg fel volt szerelve.

## **A vágókés felszerelése**

Készítse elő a 4 eltávolított csavart (az alsó fedélhez), a 2 csavart (a nyírókéshez), a pozicionáló lemezt, az alsó fedelet és az új nyírókéseket.

Állítsa be a forgattyú pozícióját az ábrán látható módon. Most tegyen egy kicsit az új nyírókésekhez mellékelt zsíról a forgattyú szélére.

▶ **Ábra23:** 1. Forgattyú

Illesse egymáshoz a felső és az alsó kés ovális furatát.

▶ **Ábra24:** 1. Nyírókés ovális nyílása

Vegye le a késvédőt a régi késekről és helyezze fel az újakra, hogy azokat könnyen lehessen kezelni a kések cseréjekor.

▶ **Ábra25**

Helyezze az új nyírókéseket a szerszámra úgy, hogy a nyírókés ovális furatai illeszkedjenek a forgattyúra.

Illesse egymáshoz a nyírókés furatait és a szerszám furatait, majd rögzítse egymáshoz őket a két csavarral.

▶ **Ábra26:** 1. Nyírókés ovális nyílása 2. Forgattyú 3. Csavarok

Ellenőrizze a forgattyú egyenletes forgását egy hornyolt fejú csavarhúzóval.

▶ **Ábra27:** 1. Forgattyú

Szerelje fel a pozicionáló lemezt és az alsó fedelet a szerszámra. Erősen húzza meg a csavart.

### **MEGJEGYZÉS:**

- A pozicionáló lemez teteje és alja megegyezik egymással.

Távolítsa el a késvédőt és kapcsolja be a szerszámot a megfelelő mozgás ellenőrzéséhez.

### **MEGJEGYZÉS:**

- Ha a nyírókés nem működnek megfelelően, akkor a kések és a forgattyú nem illeszkednek rendesen. Végezze el a műveletet az elejétől.

## **A szénkefék cseréje**

▶ **Ábra28:** 1. Határjelzés

A szénkefákat cserélje és ellenőrizze rendszeresen. Cserélje ki azokat amikor lekopnak egészen a határjelzésig. Tartsa tisztán a szénkefákat és biztosítsa hogy szabadon mozoghassanak tartójukban. Mindkét szénkefét egyszerre cserélje ki. Használjon egyforma szénkefákat.

▶ **Ábra29:** 1. Szénkefetartó fedele 2. Hornyolt fejú csavarhúzó

Helyezze egy hornyolt fejú csavarhúzó felső végét a szerszámon található nyílásba és távolítsa el a szénkefetartók fedelét, felfelé emelve azokat.

▶ **Ábra30:** 1. Kefetartó sapka 2. Hornyolt fejú csavarhúzó

A szénkefetartók fedelének eltávolításához használjon hornyolt fejú csavarhúzót. Vegye ki az elkopott szénkefákat, helyezze be az újakat és csavarja vissza a szénkefetartók fedelét.

Helyezze vissza a szénkefetartók fedelét a szerszámra.

## Tárolás

A késvédő alsó részén található akasztófurat jól használható a szerszám felakasztásakor egy a falba beütött szögre vagy csavarra.

### ► Ábra31

Távolítsa el az akkumulátort, és helyezze fel a késvédőt a nyírókésekre úgy, hogy a kések ne látsszanak.

A szerszámot olyan helyen tárolja, ahol gyerekek nem érhetik el.

A szerszámot olyan helyen tárolja, amely nincs kitéve víznek vagy esőnek.

A termék BIZTONSÁGÁNAK és

MEGBÍZHATÓSÁGÁNAK fenntartásához, a javításokat, bármilyen egyéb karbantartást vagy beszabályozást a Makita Autorizált Szervizközpontoknak kell végrehajtaniuk, mindig Makita pótalkatrészek használatával.

## OPCIONÁLIS KIEGÉSZÍTŐK

### VIGYÁZAT:

- Ezek a tartozékok vagy kellékek ajánlottak az Önnek ebben a kézikönyvben leírt Makita szerszámához. Bármely más tartozék vagy kellék használata személyes veszélyt vagy sérülést jelenthet. A tartozékot vagy kelléket használja csupán annak kifejezett rendeltetésére.

Ha bármilyen segítségre vagy további információkra van szüksége ezekkel a tartozékokkal kapcsolatban, keresse fel a helyi Makita Szervizközpontot.

- Késvédő
- Nyírókés szerelvény
- Eredeti Makita akkumulátor és töltő
- Forgáctálca

### MEGJEGYZÉS:

- A listán felsorolt néhány kiegészítő megtalálható az eszköz csomagolásában standard kiegészítőként. Ezek országonként eltérőek lehetnek.

## TECHNICKÉ ÚDAJE

Model	DUH551	DUH651
Dĺžka čepele	550 mm	650 mm
Ťahy za minútu (min <sup>-1</sup> )	1000 - 1800	
Celková dĺžka	1065 mm	1135 mm
Menovité napätie	Jednosmerný prúd 36 V	
Hmotnosť netto	4,6 - 5,3 kg	4,7 - 5,5 kg

- Vzhľadom k neustálemu výskumu a vývoju podliehajú technické údaje uvedené v tomto dokumente zmenám bez upozornenia.
- Technické údaje sa môžu pre rôzne krajiny líšiť.
- Hmotnosť sa môže líšiť v závislosti od nastavcov vrátane akumulátora. Najľahšia a najťažšia kombinácia v súlade s postupom EPTA 01/2014 je uvedená v tabuľke.

## Použiteľné akumulátory a nabíjačky

Akumulátor	BL1815N / BL1820 / BL1820B / BL1830 / BL1830B / BL1840 / BL1840B / BL1850 / BL1850B / BL1860B
Nabíjačka	DC18RC / DC18RD / DC18RE / DC18SD / DC18SE / DC18SF

- Niektoré vyššie uvedené akumulátory a nabíjačky môžu byť nedostupné v závislosti od miesta vášho bydliska.

**VAROVANIE:** Používajte iba akumulátory a nabíjačky zo zoznamu uvedeného vyššie. Používanie akýchkoľvek iných akumulátorov a nabíjačiek môže spôsobiť zranenie a/alebo požiar.

Hluk	Úroveň akustického tlaku		Hladina akustického výkonu		Použiteľná norma alebo smernica
	L <sub>PA</sub> (dB (A))	Odhýlka K (dB (A))	L <sub>PA</sub> (dB (A))	Odhýlka K (dB (A))	
DUH551	81,5	2,1	91	1,5	2000/14/EC
DUH651	82	1,4	91,1	1,5	

- Používajte ochranu sluchu.

Vibrácie	Deklarovaná hodnota emisii (m/s <sup>2</sup> )	Odhýlka K (m/s <sup>2</sup> )	Použiteľná norma alebo smernica
Model			
DUH551 / DUH651	≤ 2,5	1,5	EN60745-2-15

**POZNÁMKA:** Deklarovaná hodnota emisii vibrácií bola meraná podľa štandardnej skúšobnej metódy a môže sa použiť na porovnanie jedného náradia s druhým.

**POZNÁMKA:** Deklarovaná hodnota emisii vibrácií sa môže použiť aj na predbežné posúdenie vystavenia ich účinkom.

**VAROVANIE:** Emisie vibrácií počas skutočného používania elektrického náradia sa môžu odlišovať od deklarovanej hodnoty emisii vibrácií, a to v závislosti na spôsoboch používania náradia.

**VAROVANIE:** Nezabudnite označiť bezpečnostné opatrenia s cieľom chrániť obsluhu, a to tie, ktoré sa zakladajú na odhade vystavenia účinkom v rámci reálnych podmienok používania (berúc do úvahy všetky súčasti prevádzkového cyklu, ako sú doby, kedy je náradie vypnuté a kedy beží bez zaťaženia, ako dodatok k dobe zapnutia).

## Symbole

Nižšie sú uvedené symboly, s ktorými sa môžete stretnúť pri použití nástroja. Je dôležité, aby ste poznali ich význam, skôr než začnete pracovať.



Prečítajte si návod na obsluhu.



Nevystavujte účinkom vlhkosti.



Len pre štáty EÚ  
Nevyhadzujte elektrické zariadenia ani batériu do komunálneho odpadu!  
Podľa európskej smernice o nakladaní s použitými elektrickými a elektronickými zariadeniami a smernice o batériách a akumulátoroch a odpadových batériách a akumulátoroch a ich implementovaní v súlade s právnymi predpismi jednotlivých krajín je nutné elektrické zariadenia a batérie po skončení ich životnosti triediť a odovzdať na zberné miesto vykonávajúce environmentálne kompatibilné recyklovanie.



## Určené použitie

Toto zariadenie je určené na strihanie živých plotov.

## Vyhlasenie o zhode ES

### Len pre krajiny Európy

Vyhlasenie o zhode ES sa nachádza v prílohe A tohto návodu na obsluhu.

## Všeobecné bezpečnostné predpisy pre elektronáradie

**⚠️ UPOZORNENIE** Prečítajte si všetky upozornenia a inštrukcie. Nedodržanie pokynov a inštrukcií môže mať za následok úraz elektrickým prúdom, požiar alebo vážne zranenie.

**Všetky pokyny a inštrukcie si odložte pre prípad potreby v budúcnosti.**

## Bezpečnostné varovania pre akumulátorové nožnice na živé ploty

1. Zabráňte tomu, aby sa ktorákoľvek časť tela dostala do dosahu žacieho noža. Počas doby, keď sa čepele pohybujú, neodstraňujte odrezaný materiál ani nedržte materiál, ktorý budete odrezávať. Čepeľ sa po vypnutí zastavuje postupne. Počas čistenia zaseknutého materiálu vypnite zariadenie. Chvíľa nepozornosti počas používania nožnic na živé ploty môže spôsobiť vážne osobné poranenie.
2. Nožnice na živé ploty prenášajte za rúkavät' a so zastaveným žacím nožom. Počas prepravy alebo uskladnenia nožnic na živé ploty vždy nasadte kryt strihacieho zariadenia. Správna manipulácia s nožnicami na živé ploty zníži riziko možných osobných poranení zapríčinených žacím nožom.
3. Elektrické zariadenie pri práci držte len za izolované úchopné povrchy, lebo žací nôž sa môže dostať do kontaktu so skrytými vodičmi. Žacie nože, ktoré sa dostanú do kontaktu s vodičom pod napätím, môžu spôsobiť prechod elektrického prúdu odhalenými kovovými časťami elektrického zariadenia a spôsobiť tak obsluhu zasiahnutie elektrickým prúdom.
4. **NEBEZPEČENSTVO** - Ruky držte v dostatočnej vzdialenosti od čepele. Kontakt s čepeľou bude mať za následok vážne osobné poranenia.
5. Nožnice na živé ploty nepoužívajte počas dažďa alebo vo veľmi vlhkom prostredí. Elektrický motor nie je vodotesný.
6. Neskuseným používateľom by mal používanie nožnic na živé ploty predviesť skúsený užívateľ nožnic na živé ploty.
7. Nožnice na živé ploty nesmú používať deti a mladiství do veku 18 rokov. Na osoby staršie ako 16 rokov toto obmedzenie nemusí vzťahovať, ak absolvujú zaškolenie pod dohľadom odborníka.
8. S nožnicami na živé ploty pracujte, len ak ste v dobrom fyzickom stave. Ak ste unavení, vaša pozornosť bude znížená. Zvlášť opatrní buďte na konci pracovného dňa. Všetky úkony vykonávajte pokojne a dôkladne. Používateľ je zodpovedný za škody spôsobené tretím stranám.

9. Nikdy nožnice nepoužívajte pod vplyvom alkoholu, drog alebo liekov.
10. Pracovné rukavice z hrubej kože predstavujú základné vybavenie pre nožnice na živý plot a pri práci s nimi je nutné tieto ochranné pomôcky vždy používať. Vždy používajte hrubé topánky s podrážkou zabraňujúcou pošmyknutiu.
11. Pred začatím práce skontrolujte, že sú nožnice v dobrom a bezpečnom prevádzkovom stave. Skontrolujte, či sú chrániče nasadené správnym spôsobom. Nožnice na živé ploty sa nesmú používať, pokiaľ nie sú úplne zmontované.
12. Pred začatím prevádzky zaujmite bezpečný postoj.
13. Počas používania zariadenie držte pevne.
14. Nepoužívajte náradie zbytočne bez záťaž.
15. Ak rezné náradie prišlo do styku s oplotením alebo iným tvrdým predmetom, okamžite vypnite motor a vyberte akumulátor. Skontrolujte poškodenie rezného náradia a v prípade poškodenia ho nechajte okamžite opraviť.
16. Pred kontrolou rezného náradia, vykonávaním opravy chyby alebo v prípade odstraňovania materiálu zachyteného v reznom náradí vždy nožnice vypnite a vyberte akumulátor.
17. Pred vykonávaním akejkoľvek údržby nožnice vypnite a vyberte z nich akumulátor.
18. Počas prenášania nožnic na živé ploty na iné miesto vrátane prenášania počas vykonávania práce vždy vyberte akumulátor a na žacie nože nasadte kryt čepele. Nikdy neprenášajte ani neprevádzajte nožnice so spusteným rezným náradím. Rezné náradie nikdy nechytajte rukami.
19. Po použití a pred dlhodobým uskladnením nožnic vyčistite nožnice na živé ploty, a to hlavne ich rezné náradie. Rezné náradie zľahka naolejujte a nasadte kryt. Kryt dodávaný s jednotkou je možné zavesiť na stenu, čím dosiahnete bezpečné a praktické uloženie nožnic na živé ploty.
20. Nožnice na živé ploty uskladňujte s nasadeným krytom v suchej miestnosti. Udržiavajte mimo dosahu detí. Nožnice nikdy neuskladňujte vonku.
21. Čepele nožnic nikdy nemierne na seba ani na iných.
22. Ak sa čepele prestanú pohybovať v dôsledku zaseknutia cudzích predmetov medzi čepeľami počas prevádzky, vypnite nástroj, vyberte akumulátor a pomocou náradia, ako sú kliešte, odstráňte cudzie predmety. Ak budete cudzie predmety vyberať rukami, môže dojsť k ublíženiu na zdraví vzhľadom na skutočnosť, že čepele sa môžu pohnúť pri reakcii na odstraňovanie cudzích predmetov.

## TIETO POKYNY USCHOVAJTE.

**⚠️ VAROVANIE:** NIKDY nepripustíte, aby sebavedomie a dobrá znalosť výrobku (získané opakovaným používaním) nahradili presné dodržiavanie bezpečnostných pravidiel pre náradie. **NESPRÁVNE POUŽÍVANIE** alebo nedodržiavanie bezpečnostných zásad uvedených v tomto návode môže viesť k vážnemu zraneniu.

## Dôležité bezpečnostné a prevádzkové pokyny pre akumulátor

1. Pred použitím akumulátora si prečítajte všetky pokyny a výstažné označenia na (1) nabíjačke akumulátorov, (2) akumulátore a (3) produkte používajúcom akumulátor.
2. Akumulátor nerozoberajte.
3. Ak sa doba prevádzky príliš skráti, ihneď prerušte prácu. Môže nastať riziko prehriatia, možných popálením či dokonca explózie.
4. V prípade zasiahnutia očí elektrolytom ich vypláchnite čistou vodou a okamžite vyhľadajte lekársku pomoc. Môže dôjsť k strate zraku.
5. Akumulátor neskratujte:
  - (1) Nedotýkajte sa konektorov žiadnym vodivým materiálom.
  - (2) Neskladujte akumulátor v obale s inými kovovými predmetmi, napríklad klincami, mincami a pod.
  - (3) Akumulátor nevystavujte vode ani dažďu. Skrat akumulátora môže spôsobiť veľký tok prúdu, prehriatie, možné popáleniny či dokonca poruchu.
6. Neskladujte nástroj ani akumulátor na miestach s teplotou presahujúcou 50 °C (122 °F).
7. Akumulátor nespálujte, ani keď je vážne poškodený alebo úplne opotrebovaný. Akumulátor môže v ohni explodovať.
8. Dávajte pozor, aby akumulátor nespadol, a nevystavujte ho nárazom.
9. Nepoužívajte poškodený akumulátor.
10. Litium-iónové akumulátory, ktoré sú súčasťou náradia, podliehajú požiadavkám legislatívy o nebezpečnom tovare.

V prípade obchodnej prepravy, napr. dodanie tretími stranami či špeditéri, sa musia dodržiavať špeciálne požiadavky na zabalenie a označenie. Pred prípravou položky na odoslanie sa vyžaduje konzultácia s odborníkom na nebezpečný materiál. Taktiež treba dodržiavať potenciálne podrobnejšie predpisy príslušnej krajiny. Prelepte alebo zakryte otvorené kontakty a zabalte akumulátor tak, aby sa v balíku nemohol voľne pohybovať.
11. Akumulátor zlikvidujte v súlade s miestnymi nariadeniami.
12. Akumulátory používajte iba s výrobkami uvedenými spoločnosťou Makita. Inštalácia akumulátorov do nevyhovujúcich výrobkov môže spôsobiť požiar, nadmerné teplo, výbuch alebo únik elektrolytov.

## TIETO POKYNY USCHOVAJTE.

**▲POZOR:** Používajte len originálne akumulátory od spoločnosti Makita. Používanie batérií, ktoré nie sú od spoločnosti Makita, alebo upravených batérií môže spôsobiť výbuch batérie a následný požiar, zranenie osôb alebo poškodeniu majetku. Následkom bude aj zrušenie záruky od spoločnosti Makita na nástroj a nabíjačku od spoločnosti Makita.

## Rady na udržanie maximálnej životnosti akumulátora

1. Akumulátor nabíjate ešte predtým, ako sa úplne vybije. Vždy prerušte prácu s nástrojom a nabíjate akumulátor, keď spozorujete nižší výkon nástroja.
2. Nikdy nenabíjate plne nabitý akumulátor. Prebíjanie skracuje životnosť akumulátora.
3. Akumulátor nabíjajte pri izbovej teplote 10 °C – 40 °C (50 °F – 104 °F). Pred nabíjaním nechajte horúci akumulátor vychladnúť.
4. Litium-iónový akumulátor nabíjate, ak ste ho nepoužívali dlhšie ako šesť mesiacov.

## POPIS FUNKCIE

### ▲POZOR:

- Pred úpravou alebo kontrolou funkčnosti nástroja vždy skontrolujte, či je nástroj vypnutý a blok akumulátora je vybratý.

## Inštalácia alebo demontáž kazety akumulátora

► Obr.1: 1. Červený indikátor 2. Tlačidlo 3. Kazeta akumulátora

### ▲POZOR:

- Pred inštaláciou alebo vybratím akumulátora náradie vždy vypnite.
- Pri vkladaní alebo vyberaní akumulátora uchopte pevne náradie aj akumulátor. Opomenutie pevne uchopiť náradie a akumulátor môže mať za následok ich vyšmyknutie z rúk s dôsledkom poškodenia náradia a batérie, ako aj osobných poranení.

Ak chcete vybrať akumulátor, vysuňte ho zo zariadenia, pričom posuňte tlačidlo na prednej strane akumulátora. Akumulátor vložte tak, že jazyk akumulátora nasmerujete na ryhu v kryte a zasuniete ju na miesto. Zatlačte ho úplne, kým zakliknutím nezapadne na miesto. Ak vidíte červený indikátor na hornej strane tlačidla, nie je správne zapadnutý.

### ▲POZOR:

- Akumulátor vždy nainštalujte úplne, až kým nie je vidieť červený indikátor. V opačnom prípade môže náhodne vypadnúť z náradia a ublížiť vám alebo osobám v okolí.
- Pri inštalovaní jednotky akumulátora nepoužívajte silu. Ak sa jednotka nedá zasunúť ľahko, nevkladajte ju správne.

### POZNÁMKA:

- Náradie nefunguje len s jedným akumulátorom.

## System na ochranu náradia / akumulátora

Náradie je vybavené systémom ochrany náradia / akumulátora. Tento systém automaticky vypne napájanie motora s cieľom predĺžiť životnosť náradia a akumulátora. Náradie sa počas prevádzky automaticky zastaví v prípade, ak náradie alebo akumulátor sú v rámci nasledovných podmienok. Indikátory sa v prípade niektorých podmienok rozsvietia.

### Ochrana proti preťaženiu

Keď sa náradie používa spôsobom, ktorý spôsobuje odber neštandardne vysokého prúdu, náradie sa bez upozornenia automaticky vypne. V tejto situácii vypnite náradie a ukončíte aplikáciu, ktorá spôsobuje preťažovanie náradia. Potom náradie znova zapnutím spustíte.

### Ochrana náradia / akumulátora pred prehrievaním

Keď dochádza k prehrievaniu náradia / akumulátora, náradie sa bez upozornenia automaticky zastaví. Náradie sa nespustí ani ťahaním vypínača. V tejto situácii nechajte náradie / akumulátor pred opätovným spustením náradia vychladnúť.

**POZNÁMKA:** Ochrana proti prehrievaniu akumulátora funguje len v prípade akumulátora so značkou hviezdičky.

► **Obr.2:** 1. Označenie hviezdičky

### Ochrana pred prílišným vybíjaním

► **Obr.3:** 1. Indikátor akumulátora

Keď bude zostávajúca kapacita akumulátora nízka, na strane patričného akumulátora bude blikať indikátor akumulátora. Pri ďalšom používaní sa náradie zastaví a indikátor akumulátora bude asi 10 sekúnd svietiť. V takomto prípade nabite akumulátor.

### Polohy namontovania rukoväte

#### ▲POZOR:

- Pred činnosťou sa vždy uistite, že rukoväť je zablokovaná v zvolenej polohe.

► **Obr.4:** 1. Gombík 2. Skriňa

V závislosti na činnostiach môžete nastaviť uhol rukoväti na hodnotu 45° alebo 90° vľavo či vpravo. Ak chcete rukoväť otočiť, potiahnite gombík a otočte rukoväť podľa obrázka. Rukoväť sa zablokuje v polohe uhla 45°. Ak chcete rukoväť otočiť do polohy uhla 90°, znova potiahnite gombík a rukoväť otočte viac.

### Zapínanie

#### ▲POZOR:

- Pred vložením bloku akumulátora do nástroja sa vždy presvedčte, či vypínač funguje správne a po uvoľnení sa vráti do pozície "OFF".

► **Obr.5:** 1. Spínač B 2. Spínač A 3. Tlačidlo odomknutia

Kvôli vašej vlastnej bezpečnosti je toto náradie vybavené duálnym systémom vypínania. Ak chcete náradie zapnúť, stlačte odomykacie tlačidlo a stlačte vypínač A a B. Ak chcete náradie vypínačom vypnúť, uvoľnite jeden z vypínačov. Náradie sa spustí len potiahnutím oboch vypínačov.

## Zmena otáčok

► **Obr.6:** 1. Nastavovací číselník

Počet pohybov za minútu nastavíte otočením otočného ovládača. To je možné vykonať, aj keď je náradie spustené. Tento volič je označený číslami 1 (najnižšie otáčky) až 6 (najvyššie otáčky).

V nasledujúcej tabuľke sú uvedené vzťahy medzi nastavenými číslami na otočnom voliči a počtom pohybov za minútu.

Počet na nastavovacom počítadle	Ťahy za minútu (min <sup>-1</sup> )
6	1800
5	1750
4	1650
3	1500
2	1300
1	1000

#### ▲POZOR:

- Nastavovacie počítadlo rýchlosti je možné otočiť len do 6 a potom naspäť do 1. Nepokúšajte sa prejsť za 6 alebo za 1, pretože nastavovacie počítadlo rýchlosti pravdepodobne už nebude fungovať.
- Počet pohybov za minútu sa líši v závislosti na stave akumulátora a strižných čepeľí.

## PRÁCA

#### ▲POZOR:

- Počas strihania dávajte pozor, aby ste náhodne neprišli do styku s kovovým oplatením alebo ďalšími tvrdými predmetmi. Môže dôjsť k zlomeniu čepele s dôsledkom vážneho poranenia.
- Snaha prekračovať dosah nožnic na živé ploty, a to obzvlášť z rebriku je veľmi nebezpečná. Činnosť strihania nevykonávajte stojac na vratkom a nestabilnom predmete.

**UPOZORNENIE:** Nepokúšajte sa s týmto zariadením strihať vetvy hrubšie ako 10 mm v priemere. Pred použitím tohto zariadenia odstrihnite konáre pomocou nožnic na konáre na dĺžku o 10 cm kratšiu ako výška kosenia.

► **Obr.7:** (1) Výška kosenia (2) 10 cm

#### ▲POZOR:

- Nepoužívajte na odstrihovanie odumretých stromov a podobných tvrdých predmetov. Opomenutie môže viesť k poškodeniu náradia.

► **Obr.8**

Nožnice držte oboma rukami, ťahajte vypínač A alebo B a pohybujte nožnicami pred svojim telom.

► **Obr.9:** 1. Smer strihania 2. Plocha živého plota, ktorú budete strihať 3. Čepele nakloňte.

V rámci bežnej prevádzky skloňte čepele smerom ku smeru strihania a pohybujte nimi pokojne a pomaly, a to pri rýchlosti jeden meter za 3 - 4 sekundy.

### ► Obr.10

Na rovné zastrihnutie hornej časti živého plota pomôže, ak si v požadovanej výške živého plota natiahnete povraz a strihanie budete vykonávať pozdĺž tohto povrazu, ktorý v tomto prípade predstavuje pomocnú čiaru.

### ► Obr.11

Prípevnenie lapača úlomkov (voliteľné príslušenstvo) na náradie počas strihania živého plota v priamom smere môže zabrániť odhadzovaniu odstrihnutých listov.

### ► Obr.12

Pred činnosťou kvôli pohodlnej práci otočte rukoväť. Pozrite si časť nazvanú „Polohy namontovania rukoväti“.

Kvôli rovnému zostrihnutiu živého plota je dobré, ak budete strihať smerom zdola nahor.

### ► Obr.13

S cieľom dosiahnuť pekný vzhľad a vykonať dobrú prácu, buxusy alebo azalky rododendron strihajte zdola smerom nahor.

## Montáž alebo demontáž lapača úlomkov (voliteľné príslušenstvo)

### ▲POZOR:

- Pred inštaláciou alebo demontážou lapača triesok vždy náradie vypnite a vyberte z neho akumulátor.

### POZNÁMKA:

- Počas nasadzovania lapača odrezkov vždy používajte rukavice a činnosť vykonávajte tak, aby ruky ani tvár neprišli do priameho styku s čepeľou. V opačnom prípade môže dôjsť k osobnému poraneniu.
- Pred nainštalovaním lapača odrezkov vždy snímte kryt čepele.
- Lapač odrezkov zachytáva odrezané listy a uľahčuje zber orezaného lístia. Môže sa namontovať na ktorúkoľvek stranu náradia.

### ► Obr.14: 1. Tlak 2. Lapač odrezkov 3. Matica 4. Rezná čepeľ

Lapač odrezkov namontujte na reznú čepeľ tak, aby jeho štrbiny prečnievali spolu s maticami nad reznú čepeľ. V tomto štádiu sa presvedčte, že lapač odrezkov sa nedotýka zachytávača vetví na konci rezných čepeľí.

### ► Obr.15: 1. Matica 2. Zachytávač vetví

Teraz je potrebné lapač odrezkov nainštalovať tak, aby jeho háčiky zapadli do drážok v jednotke reznej čepele.

### ► Obr.16: 1. Háčiky 2. Nasadte háčiky do drážky 3. Žliabky

Demontáž lapača odrezkov vykonáte tak, že stlačíte páčku na oboch stranách, čím dôjde k odblokovaniu háčikov.

### ► Obr.17: 1. Stlačte páčky na oboch stranách 2. Odblokujte háčiky

### ▲POZOR:

- Kryt čepele nemožno nainštalovať na náradie, na ktorom je nainštalovaný lapač odrezkov. Pred prenášaním alebo uskladnením demontujte najprv lapač odrezkov a následne namontujte kryt čepele, čím zabránite vystaveniu čepele účinkom prostredia.

### POZNÁMKA:

- Pred použitím skontrolujte bezpečné namontovanie lapača odrezkov.
- Nikdy sa nepokúšajte lapač odrezkov demontovať vyvíjaním nadmernej sily na háčiky zablokované v drážkach jednotky čepele. Vyvíjaním nadmernej sily môže dôjsť k poškodeniu.

## ÚDRŽBA

### ▲POZOR:

- Pred vykonaním kontroly alebo údržby vždy skontrolujte, či je nástroj vypnutý a blok akumulátora je vybratý.
- Nepoužívajte benzín, riedidlo, alkohol ani nič podobné. Mohlo by to spôsobiť zmenu farby, deformácie alebo praskliny.

## Čistenie náradia

Náradie čistíte poutieraním prachu pomocou suchej, alebo v saponátovom roztoku namočenej handry.

## Údržba čepele

Čepeľ pred a raz za hodinu počas prevádzky namažte motorovým olejom alebo podobnou látkou.

### POZNÁMKA:

- Pred namazaním čepele demontujte lapač triesok.

Po činnosti odstráňte pomocou drôtenej kefy prach z oboch strán čepele, utrite ju handrou a potom naneste dostatočné množstvo oleja s nízkou viskozitou, ako je strojný olej a pod. a mazací olej nanášaný striekaním.

### ▲POZOR:

- Čepele neumývajte vo vode. Opomenutie môže viesť k hrdzaveniu alebo k poškodeniu náradia.

**UPOZORNENIE:** Ak dôjde k opotrebovaniu iných dielov, ako sú čepele nožnic, napr. kľuka, požiadajte autorizované servisné strediská spoločnosti Makita o náhradné diely či opravu.

## Demontáž a montáž reznej čepele

### ▲POZOR:

- Pred demontážou a montážou strižnej čepele sa vždy presvedčte, že náradie je vypnuté a akumulátor z neho je vybratý.
- Počas nasadzovania reznej čepele vždy používajte rukavice, nesnímajte kryt čepele a činnosť vykonávajte tak, aby ruky ani tvár neprišli do priameho styku s čepeľou. V opačnom prípade môže dôjsť k osobnému poraneniu.

**POZNÁMKA:**

- Z prevodov a z kľuky neodstraňujte mazivo. V opačnom prípade môže dôjsť k poškodeniu náradia.
- Špecifický spôsob demontáže a montáže rezných čepelí nájdete na zadnej strane balenia prídatných rezných čepelí.

## Demontáž rezných čepelí

Otočte náradie a uvoľnite štyri skrutky.

- **Obr.18:** 1. Kryt čepele 2. Skrutky

**POZNÁMKA:**

- Dávajte pozor, aby ste nezašpinili, pretože na ploche s prevodmi reznej čepele je nanesené mazivo.

Snímte spodný kryt.

- **Obr.19:** 1. Spodný kryt 2. Kryt čepele 3. Skrutky

Demontujte platňu.

- **Obr.20:** 1. Doštička

Kľuku nastavte do uhla podľa obrázka a použite pritom plochý skrutkovač.

- **Obr.21:** 1. Kľuka

Z rezných čepelí odskrutkujte dve skrutky, čím dokážete jednotku reznej čepele vybrať von.

- **Obr.22:** 1. Skrutky 2. Rezná čepeľ

**▲ POZOR:**

- V prípade náhodného demontovania pohon vráťte do pôvodnej polohy takým spôsobom, ako bol nainštalovaný.

## Montáž rezných čepelí

Prípravte si 4 odskrutkované skrutky (pre spodný kryt), 2 skrutky (pre strižnú čepeľ), platňu, spodný kryt a novú strižnú čepeľ.

Nastavte polohu kľuky tak, ako je to zobrazené na obrázku. V tomto štádiu naneste na okraj kľuky trochu maziva, ktoré je dodávané s novými reznými čepelami.

- **Obr.23:** 1. Kľuka

Prekryte oválny otvor v hornej čepeli s otvorom na dolnej.

- **Obr.24:** 1. Oválny otvor na strižnej čepeli

Stiahnite kryt čepele zo starých rezných čepelí a nasadte ho na nové s cieľom zabezpečiť jednoduchú manipuláciu počas nasadzovania čepelí.

- **Obr.25**

Nové rezné čepele nasadte na náradie tak, aby oválne otvory v rezných čepeliach zapadli na kľuku. Prekryte otvory v rezných čepeliach s otvormi na náradí určenými pre skrutky a zaistíte ich pomocou dvoch skrutiek.

- **Obr.26:** 1. Oválny otvor na strižnej čepeli 2. Kľuka 3. Skrutky

Pomocou plochého skrutkovača skontrolujte ľahké otáčanie kľuky.

- **Obr.27:** 1. Kľuka

Na náradie nainštalujte platňu a spodný kryt. Skrutky pevne dotiahnite.

**POZNÁMKA:**

- Medzi hornou a spodnou platňou nie je žiadny rozdiel.

Snímte kryt čepele a následne zapnite náradie s cieľom overiť jeho správny pohyb.

**POZNÁMKA:**

- Pokiaľ rezné čepele nefungujú správne, čepele nie sú dobre nasadené na kľuke. Zopakujte postup od začiatku.

## Výmena uhlíkov

- **Obr.28:** 1. Medzná značka

Uhlíky pravidelne vyberajte a kontrolujte. Ak sú opotrebované až po medznú značku, vymeňte ich. Uhlíky musia byť čisté a musia voľne zapadať do svojich držiakov. Oba uhlíky treba vymieňať súčasne. Používajte výhradne rovnaké uhlíky.

- **Obr.29:** 1. Kryt držiaka 2. Plochý skrutkovač

Vrchný koniec plochého skrutkovača vložte do ryhy v náradí a nadvihnutím vyberte kryt držiaka.

- **Obr.30:** 1. Veko držiaka uhlíka 2. Plochý skrutkovač

Kryty držiaka kefkou otvoríte plochým skrutkovačom.

Vyberte opotrebované uhlíkové kefy, založte nové a zaistíte viečka držiaka kefy.

Kryt držiaka opäť namontujte na prístroj.

## Uskladnenie

Otvor pre hák v spodnej časti krytu čepele je vhodný na zavesenie náradia na kliniec alebo skrutku v stene.

- **Obr.31**

Vyberte akumulátor a kryt čepele nasadte na strižnú čepeľ tak, aby čepele neboli odhalené. Náradie bezpečne uskladnite mimo dosahu detí.

Náradie uskladnite na mieste, ktoré nie je vystavené účinkom dažďa ani vody.

Kvôli zachovaniu BEZPEČNOSTI a SPOLAHLIVOSTI výrobkov musia byť opravy a akákoľvek ďalšia údržba či nastavovanie robené autorizovanými servisnými strediskami firmy Makita a s použitím náhradných dielov Makita.

## VOLITEĽNÉ PRÍSLUŠENSTVO

**▲ POZOR:**

- Pre váš nástroj Makita, opísaný v tomto návode, doporučujeme používať toto príslušenstvo a nástavce. Pri použití iného príslušenstva či nástavcov môže hroziť nebezpečenstvo zranenia osôb. Príslušenstvo a nástavce sa môžu používať len na účely pre ne stanovené.

Ak potrebujete bližšie informácie týkajúce sa tohoto príslušenstva, obráťte sa na vaše miestne servisné stredisko firmy Makita.

- Kryt čepele
- Zostava reznej čepele
- Originálna batéria a nabíjačka Makita
- Lapač úlomkov

**POZNÁMKA:**

- Niektoré položky zo zoznamu môžu byť súčasťou balenia náradia vo forme štandardného príslušenstva. Rozsah týchto položiek môže byť v každej krajine odlišný.

## TECHNICKÉ ÚDAJE

Model	DUH551	DUH651
Délka čepele	550 mm	650 mm
Počet zdvihů za minutu (min <sup>-1</sup> )	1 000 - 1 800	
Celková délka	1 065 mm	1 135 mm
Jmenovité napětí	36 V DC	
Hmotnost netto	4,6 - 5,3 kg	4,7 - 5,5 kg

- Vzhledem k neustálému výzkumu a vývoji zde uvedené technické údaje podléhají změnám bez upozornění.
- Specifikace se mohou pro různé země lišit.
- Hmotnost se může lišit v závislosti na nástavcích a přídatných zařízeních, včetně akumulátoru. Nejlehčí a nejtěžší kombinace, dle EPTA-Procedure 01/2014, jsou uvedeny v tabulce níže.

## Použitelný akumulátor a nabíječka

Akumulátor	BL1815N / BL1820 / BL1820B / BL1830 / BL1830B / BL1840 / BL1840B / BL1850 / BL1850B / BL1860B
Nabíječka	DC18RC / DC18RD / DC18RE / DC18SD / DC18SE / DC18SF

- V závislosti na regionu vašeho bydliště nemusí být některé akumulátory a nabíječky k dispozici.

**VAROVÁNÍ:** Používejte pouze výše uvedené akumulátory a nabíječky. Použití jiných akumulátorů a nabíječek může způsobit zranění a/nebo požár.

Hlučnost	Hladina akustického tlaku		Hladina akustického výkonu		Příslušná norma nebo směrnice
Model	L <sub>PA</sub> (dB (A))	Nejistota K (dB (A))	L <sub>PA</sub> (dB (A))	Nejistota K (dB (A))	
DUH551	81,5	2,1	91	1,5	2000/14/EC
DUH651	82	1,4	91,1	1,5	

- Používejte ochranu sluchu.

Vibrace	Deklarovaná hodnota emisí vibrací (m/s <sup>2</sup> )	Nejistota K (m/s <sup>2</sup> )	Příslušná norma nebo směrnice
Model			
DUH551 / DUH651	≤ 2,5	1,5	EN60745-2-15

**POZNÁMKA:** Deklarovaná hodnota emisí vibrací byla změřena v souladu se standardní testovací metodou a může být využita ke srovnávání nářadí mezi sebou.

**POZNÁMKA:** Deklarovanou hodnotu emisí vibrací lze rovněž využít k předběžnému posouzení vystavení jejich vlivu.

**VAROVÁNÍ:** Emise vibrací během skutečného používání elektrického nářadí se mohou od deklarované hodnoty emisí vibrací lišit v závislosti na způsobu použití nářadí.

**VAROVÁNÍ:** Na základě odhadu vystavení účinkům vibrací v aktuálních podmínkách zajistěte bezpečnostní opatření k ochraně obsluhy (vezměte v úvahu všechny části pracovního cyklu, mezi něž patří kromě doby pracovního nasazení i doba, kdy je nářadí vypnuto nebo pracuje ve volnoběhu).

## Symbole

Níže jsou uvedeny symboly, se kterými se můžete při použití nářadí setkat. Je důležité, abyste dříve, než s ním začnete pracovat, pochopili jejich význam.



Přečtěte si návod k obsluze.



Nevystavujte vlhkosti.



Pouze pro země EU  
Elektrické zařízení ani akumulátor nelikvidujte současně s domovním odpadem! Vzhledem k dodržování evropských směrnic o odpadních elektrických a elektronických zařízeních a směrnic o bateriích, akumulátorech a odpadních bateriích a akumulátorech s jejich implementací v souladu s národními zákony musí být elektrická zařízení, baterie a akumulátory po skončení životnosti odděleně shromážděny a předány do ekologicky kompatibilního recyklačního zařízení.

## Účel použití

Náradí je určeno k zastřihování živých plotů.

## Prohlášení ES o shodě

### Pouze pro evropské země

Prohlášení ES o shodě je obsaženo v Příloze A tohoto návodu k obsluze.

## Obecná bezpečnostní upozornění k elektrickému náradí

**⚠ UPOZORNĚNÍ** Přečtěte si všechna bezpečnostní upozornění a pokyny. Při nedodržení upozornění a pokynů může dojít k úrazu elektrickým proudem, požáru nebo vážnému zranění.

**Všechna upozornění a pokyny si uschovejte pro budoucí potřebu.**

## Bezpečnostní varování k akumulátorovému zastřihovači

1. Udržujte všechny části těla v bezpečné vzdálenosti od nožů. Neodstraňujte stříhaný materiál a nedržte materiál, když se nože pohybují. Nože po vypnutí náradí dobíhají. Při odstraňování uviznutého materiálu musí být spoušť vypnuta. Chvilu nepozornosti při používání zastřihovače může mít za následek vážné zranění.
2. Při přenášení držte zastřihovač za rukojeť a nechte jej vypnutý. Při přepravě a skladování zastřihovače na nože vždy nasadte kryt. Správnou manipulací se zastřihovačem snížíte riziko zranění noží.
3. Elektrické náradí držte pouze za izolované části držadel, neboť stříhací nože mohou narazit na skryté elektrické vedení. Při kontaktu stříhacích nožů s vodičem pod napětím se může proud přenést do nechráněných kovových částí náradí a obsluha může utrpět úraz elektrickým proudem.
4. **NEBEZPEČÍ - Nepřiblížte ruce k noži.** Kontakt s nožem způsobí vážné zranění.
5. **Nepoužívejte zastřihovač v dešti ani v mokřem nebo velice vlhkém prostředí.** Elektrický motor není voděodolný.
6. **Uživatelé, kteří používají zastřihovač poprvé, by měli požádat o radu k používání zkušené uživatele.**
7. **Zastřihovač nesmí používat děti a osoby mladší 18 let.** Mladiství starší 16 let mohou být tohoto omezení zproštěni, pokud pod dohledem odborníka absolvují školení.
8. **Zastřihovač obsluhujte pouze tehdy, jste-li v dobrém fyzickém stavu.** Únava vede ke snížení pozornosti. Opatrní buďte zejména na konci pracovního dne. Veškerou práci provádějte klidně a opatrně. Uživatel je zodpovědný za všechny škody způsobené třetím stranám.
9. **Nikdy nepoužívejte zastřihovač pod vlivem alkoholu, drog nebo léků.**
10. K základnímu vybavení zastřihovače patří silné kožené rukavice, které je nutné při práci vždy používat. Používejte také pevnou obuv s protiskluzovou podrážkou.

11. Před zahájením práce zkontrolujte, zda je zastřihovač v dobrém stavu umožňujícím bezpečné používání. Zkontrolujte, zda jsou správně nainstalovány kryty. Zastřihovač nesmí být používán, pokud není kompletní.
12. Před zahájením práce se ujistěte, že máte prostor pro stabilní postoj.
13. Při práci držte nástroj pevně.
14. **Nástroj zbytečně nespouštějte naprázdno.**
15. **Pokud se stříhací nástroj dostane do kontaktu s oplocením či jiným tvrdým objektem, okamžitě vypněte motor a vyjměte akumulátor.** Zkontrolujte, zda není stříhací nástroj poškozen, a je-li poškozen, okamžitě jej opravte.
16. **Před kontrolou, opravováním či odstraňováním zachyceného materiálu zařízení vždy vypněte a vyjměte akumulátor.**
17. **Před prováděním jakékoli údržby zastřihovač vypněte a vyjměte akumulátor.**
18. **Při přenášení zařízení na jiné místo (i při práci) vždy vyjměte akumulátor a na stříhací nože nasadte kryt. Nikdy zastřihovač nepřenášejte ani nepřpravujte zapnutý. Zastřihovač nikdy neberte do rukou za nože.**
19. **Po použití a před dlouhodobějším skladováním zastřihovač očistěte - zejména nože. Naolejujte nože a nasadte kryt.** Kryt dodaný s přístrojem lze pověsit na zeď a zastřihovač tak lze bezpečně a prakticky skladovat.
20. **Skladujte zastřihovač s nasazeným krytem v suché místnosti. Uchovávejte jej mimo dosah dětí. Nikdy zastřihovač neskladujte venku.**
21. **Nikdy nemiřte stříhacími noži na sebe nebo jiné osoby.**
22. **Jestliže se kotouč přestane za provozu pohybovat v důsledku uviznutí cizích předmětů mezi noži, vypněte náradí a vyjměte akumulátor; poté odstraňte cizí předměty pomocí vhodného náradí (například kleští).** Odstraňování cizorodých předmětů může mít za následek úrazy, protože nože se mohou pohnout v reakci na odstraňování cizího předmětu.

## TYTO POKYNY USCHOVEJTE.

**⚠ VAROVÁNÍ:** NEDOVOLTE, aby pohodlnost nebo pocit znalosti výrobku (získaný na základě předchozího použití) vedl k zanedbání dodržování bezpečnostních pravidel platných pro tento výrobek. **NESPRÁVNÉ POUŽÍVÁNÍ** či nedodržení bezpečnostních pravidel uvedených v tomto návodu k obsluze může způsobit vážné zranění.

## Důležitá bezpečnostní upozornění pro akumulátor

1. Před použitím akumulátoru si přečtěte všechny pokyny a varovné symboly na (1) nabíječce, (2) akumulátoru a (3) výrobku využívaném akumulátor.
2. Akumulátor nerozebírejte.
3. Pokud se příliš zkrátí provozní doba akumulátoru, přerušte okamžitě práci. V opačném případě existuje riziko přehřívání, popálení nebo dokonce výbuchu.

4. Budou-li vaše oči zasaženy elektrolytem, vypláchněte je čistou vodou a okamžitě vyhledejte lékařskou pomoc. Může dojít ke ztrátě zraku.
5. Akumulátor nezkratujte:
  - (1) Nedotýkejte se svorek žádným vodivým materiálem.
  - (2) Neskladujte akumulátor v nádobě s jinými kovovými předměty, jako jsou hřebíky, mince, apod.
  - (3) Nevystavuje akumulátor vodě a dešti. Zkrat akumulátoru může způsobit velký průtok proudu, přehřátí, možné popálení a dokonce i poruchu.
6. Neskladujte nářadí a akumulátor na místech, kde může teplota překročit 50 °C (122 °F).
7. Nespalujte akumulátor, ani když je vážně poškozen nebo úplně opotřeben. Akumulátor může v ohni vybuchnout.
8. Dávejte pozor, abyste akumulátor neupustili ani s ním nenarazili.
9. Nepoužívejte poškozené akumulátory.
10. Obsažené lithium-iontové akumulátory podléhají právním požadavkům na nebezpečné zboží.

V případě komerční přepravy například externími dopravci je třeba dodržet zvláštní požadavky na balení a značení.

Pro přípravu zboží k přepravě je nutná konzultace s odborníkem na nebezpečný materiál. Dodržujte také případné podrobnější národní předpisy.

Odkryté kontakty přelepte izolační páskou či jinak zakryjte a akumulátory zabalte tak, aby se v balení nemohly pohybovat.

11. Při likvidaci akumulátoru postupujte podle místních předpisů.
12. Akumulátor používejte pouze s výrobky specifikovanými společností Makita. Instalace akumulátoru do nevyhovujících výrobků může způsobit požár, nadměrné zahřívání, explozi nebo únik elektrolytu.

## TYTO POKYNY USCHOVEJTE.

**⚠ UPOZORNĚNÍ:** Používejte pouze originální akumulátory Makita. Používání neoriginálních nebo upravených akumulátorů může způsobit explozi akumulátoru a následný požár, zranění a jiné poškození. Zaniká tím také záruka společnosti Makita na nářadí a nabíječku Makita.

## Tipy k zajištění maximální životnosti akumulátoru

1. Akumulátor nabíjte dříve, než dojde k jeho úplnému vybití. Pokud si povšimnete sníženého výkonu nářadí, vždy jej zastavte a dobijte akumulátor.
2. Nikdy nenabíjete úplně nabitý akumulátor. Přebíjení zkracuje životnost akumulátoru.
3. Akumulátor dobíjete při pokojové teplotě od 10 °C do 40 °C (50 °F až 104 °F). Před nabíjením nechejte horký akumulátor zchladnout.
4. Pokud se akumulátor delší dobu nepoužívá (déle než šest měsíců), je nutno jej dobít.

## POPIS FUNKCE

### ⚠ UPOZORNĚNÍ:

- Před nastavováním nástroje nebo kontrolou jeho funkce se vždy přesvědčte, zda je nástroj vypnutý a je odpojen jeho akumulátor.

## Instalace a demontáž akumulátoru

- **Obr.1:** 1. Červený indikátor 2. Tlačítko 3. Akumulátor

### ⚠ UPOZORNĚNÍ:

- Před nasazením či sejmutím bloku akumulátoru nářadí vždy vypněte.
- Při nasazování či snímání bloku akumulátoru pevně držte nářadí i akumulátor. V opačném případě vám mohou nářadí nebo akumulátor vyklouznout z ruky a mohlo by dojít k jejich poškození či ke zranění.

Jestliže chcete blok akumulátoru vyjmout, vysuňte jej se současným přesunutím tlačítka na přední straně akumulátoru.

Při instalaci akumulátoru vyrovnejte jazýček na bloku akumulátoru s drážkou v krytu a zasuňte akumulátor na místo. Akumulátor zasuňte na doraz, až zacvakne na místo. Není-li tlačítko zcela zajištěno, uvidíte na jeho horní straně červený indikátor.

### ⚠ UPOZORNĚNÍ:

- Akumulátor zasunujte vždy zcela tak, aby nebyl červený indikátor vidět. Jinak by mohl akumulátor ze zařízení vypadnout a způsobit zranění obsluze či přihlížejícím osobám.
- Blok akumulátoru nenasazujte násilím. Nelze-li akumulátor zasunout snadno, nekládáte jej správně.

### POZNÁMKA:

- Nářadí jen s jedním nasazeným blokem akumulátoru nepracuje.

## System ochrany nářadí a akumulátoru

Nářadí je vybaveno systémem ochrany nářadí a akumulátoru. Tento systém automaticky přeruší napájení motoru, aby se prodloužila životnost nářadí a akumulátoru.

Budou-li nářadí nebo akumulátor vystaveny některé z níže uvedených podmínek, nářadí se během provozu automaticky vypne: Za určitých podmínek se rozsvítí kontrolky.

## Ochrana proti přetížení

Pokud se s nářadím pracuje způsobem vyvolávajícím mimořádně vysoký odběr proudu, nářadí se automaticky a bez jakékoli signalizace vypne. V takové situaci nářadí vypnete a ukončete činnost, při níž došlo k přetížení nářadí. Potom nářadí zapnete a obnovte činnost.



## Ochrana proti přehřátí nářadí či akumulátoru

Při přehřátí nářadí nebo akumulátoru se nářadí automaticky a bez jakékoli signalizace vypne. Nářadí pak nelze spustit ani mačkáním spouště. V takovém případě nechte nářadí či akumulátor před opětovným zapnutím vychladnout.

**POZNÁMKA:** Ochrana proti přehřátí akumulátoru funguje pouze při použití bloku akumulátoru označeného hvězdičkou.

► **Obr.2:** 1. Značka hvězdičky

## Ochrana před přílišným vybitím

► **Obr.3:** 1. Kontrolka akumulátoru

Při nízké zbývající kapacitě akumulátoru se na příslušné straně akumulátoru rozblíká kontrolka. Při dalším používání se nářadí vypne a kontrolka akumulátoru se asi na 10 sekund rozsvítí. V takovém případě dobijete blok akumulátoru.

## Upevnění držadla do požadované polohy

### ▲ UPOZORNĚNÍ:

- Před zahájením práce se vždy ujistěte, zda je držadlo v požadované poloze zajištěno.

► **Obr.4:** 1. Knoflík 2. Plášť

Úhel držadla můžete podle prováděné práce nastavit do 45° nebo 90° polohy vpravo či vlevo. Jestliže chcete držadlo otočit, zatáhněte za knoflík a podle obrázku držadlo otočte. Držadlo se zajistí ve 45° poloze. Pokud chcete držadlo otočit do 90° polohy, znovu zatáhněte za knoflík a otočte držadlo více.

## Zapínání

### ▲ UPOZORNĚNÍ:

- Před vložením akumulátoru do nástroje vždy zkontrolujte správnou funkci spouště a zda se po uvolnění vrací do vypnuté polohy.

► **Obr.5:** 1. Spínač B 2. Spínač A 3. Odjišťovací tlačítko

K zajištění vaší bezpečnosti je nářadí vybaveno dvojitým spínacím systémem. Chcete-li nářadí zapnout, stiskněte odjišťovací tlačítko a spouště A a B. Vypnutí spínače provedete uvolněním jedné ze spouští. Nářadí lze spustit pouze při stisknutí obou spouští.

## Změna otáček

► **Obr.6:** 1. Regulační knoflík

Počet zdvihů za minutu lze jednoduše nastavit otáčecím voličem. Regulaci lze provádět i s nářadím v chodu. Na knoflíku je stupnice od 1 (nejnižší otáčky) do 6 (nejvyšší otáčky).

Vztah mezi číslem nastaveným na voliči a počtem zdvihů za minutu je uveden v tabulce níže.

Číslo na regulačním knoflíku	Počet zdvihů za minutu (min <sup>-1</sup> )
6	1 800
5	1 750
4	1 650
3	1 500
2	1 300
1	1 000

### ▲ UPOZORNĚNÍ:

- Otočným voličem rychlosti lze otáčet pouze do polohy 6 a zpět do polohy 1. Voličem neotáčejte silou za polohu 6 nebo 1. Mohlo by dojít k poruše funkce regulace otáček.
- Počet zdvihů za minutu se liší podle stavu akumulátoru a stříhacích nožů.

## PRÁCE

### ▲ UPOZORNĚNÍ:

- Při stříhání dávejte pozor, abyste omylem nezasáhli kovový plot nebo jiné tvrdé objekty. Nože se mohou rozbit a způsobit vážné zranění.
- Přesahování zastříhovačem, zejména ze žebříku, je velice nebezpečné. Při práci nestůjte na kymácejícím se nebo jinak nestabilním povrchu.

**POZOR:** Nestříhejte s tímto nářadím větve silnější než 10 mm v průměru. Před použitím tohoto nářadí odstříhnete větve 10 cm pod úrovní výšky sečení pomocí nůžek na větve.

► **Obr.7:** (1) Výška sečení (2) 10 cm

### ▲ UPOZORNĚNÍ:

- Nestříhejte uschlé stromy ani podobné tvrdé objekty. V opačném případě může dojít k poškození nástroje.

► **Obr.8**

Nůžky držte oběma rukama, stiskněte spínače A a B a nářadí vedte před sebou.

► **Obr.9:** 1. Směr stříhání 2. Stříhaný povrch živého plotu 3. Nakloňte nože.

Při stříhání nakloňte čepel ve směru stříhání a pomalu postupujte tak, abyste přes metr délky přešli za 3 až 4 sekundy.

► **Obr.10**

Abyste zastříhli horní část živého plotu rovnoměrně, můžete napnout provázek v požadované cílové výšce a při stříhání se řídit podle tohoto provázku.

► **Obr.11**

Připojte-li k nářadí sběrač odřezků (volitelné příslušenství), zamezíte při vodorovném stříhání odlétávání odštěpků.

► **Obr.12**

Před prací si natočte držadlo do takové polohy, abyste jej mohli snadno uchopit. Viz část s názvem „Upevnění držadla do požadované polohy“.

K dosažení rovnoměrného svislého zástříhu je vhodné stříhat zdola nahoru.

► **Obr.13**

Zimostráz a rododendron stříhejte odzdola nahoru, dosáhnete tak pěkného výsledku.

## Montáž a demontáž sběrače odřezků (volitelné příslušenství)

### ▲ UPOZORNĚNÍ:

- Před nasazováním či snímáním sběrače odřezků se vždy ujistěte, zda je nářadí vypnuté a zda je vyjmut akumulátor.

### POZNÁMKA:

- Při nasazování sběrače třisek vždy používejte rukavice, aby nedošlo k přímému kontaktu nožů s rukama. V opačném případě může dojít ke zranění.
- Před instalací sběrače třisek vždy sundejte kryt nožů.
- Sběrač třisek zachycuje odstříhnuté listí a usnadňuje jeho sběr. Lze jej nainstalovat na obou stranách nástroje.

► **Obr.14:** 1. Stisknout 2. Sběrač třisek 3. Matice 4. Čepel

Nasadte sběrač třisek na nože, aby jeho drážky přesahovaly matice na nožích. Zkontrolujte, zda se sběrač třisek nedotýká zachytávače větví na vrcholu nožů.

► **Obr.15:** 1. Matice 2. Zachytávač větví

Sběrač třisek musí být nainstalován tak, aby jeho úchyty zapadly do drážek na čepeli.

► **Obr.16:** 1. Úchyty 2. Nasadte úchyty do drážky 3. Drážky

Chcete-li sběrač třisek sundat, stiskněte páčku na obou stranách, aby se uvolnily úchyty.

► **Obr.17:** 1. Stiskněte páčky po obou stranách 2. Uvolněte úchyty

### ▲ UPOZORNĚNÍ:

- Na nářadí s nainstalovaným sběračem odřezků nelze kryt nožů nasadit. Před přenášením nebo skladováním sběrač odřezků demontujte a nasadte kryt nožů, aby nebyly nože nekryté.

### POZNÁMKA:

- Před použitím zkontrolujte, zda je sběrač třisek nainstalován pevně.
- Nepoužívejte při demontáži sběrače třisek příliš velkou sílu, když jsou úchyty zachyceny v drážkách na čepeli. Při použití příliš velké síly může dojít k jeho poškození.

## ÚDRŽBA

### ▲ UPOZORNĚNÍ:

- Před zahájením kontroly nebo údržby nástroje se vždy přesvědčte, zda je nástroj vypnutý a je odpojen akumulátor.
- Nikdy nepoužívejte benzín, benzen, ředidlo, alkohol či podobné prostředky. Mohlo by tak dojít ke změněm barvy, deformacím či vzniku prasklin.

## Čištění nástroje

Nástroj očistěte setřením prachu suchým nebo v mýdlové vodě navlhčeným hadříkem.

## Údržba nožů

Před použitím a jednou za hodinu během práce namažte nože strojním olejem nebo podobným mazivem.

### POZNÁMKA:

- Před mazáním nožů sejměte sběrač odřezků.

Po skončení práce odstraňte drátěným kartáčem z obou stran nožů prach, setřete jej tkaninou, na nože naneste olej s dostatečně nízkou viskozitou, například strojní olej, mazací olej ve spreji atd.

### ▲ UPOZORNĚNÍ:

- Nemyjte nože ve vodě. V opačném případě může dojít ke korozi nebo poškození nástroje.

**POZOR:** Jestliže jsou nějaké části kromě stříhacích nožů, například hřídel, opotřebené, požádejte autorizované servisní centrum Makita o náhradní díly nebo opravu.

## Demontáž a montáž čepele

### ▲ UPOZORNĚNÍ:

- Před sejmutím či nasazením stříhacích nožů se vždy ujistěte, zda je nářadí vypnuté a zda je vyjmut akumulátor.
- Při nasazování čepele vždy používejte rukavice a nesundávejte kryt nožů, aby nedošlo k přímému kontaktu nožů s rukama. V opačném případě může dojít ke zranění.

### POZNÁMKA:

- Nestírejte mazivo z převodovky ani kliky. V opačném případě může dojít k poškození nástroje.
- Přesný postup pro demontáž a montáž čepele naleznete na zadní straně obalu čepele.

## Demontáž čepele

Otočte nástroj a uvolněte čtyři šrouby.

► **Obr.18:** 1. Kryt kotouče 2. Šrouby

### POZNÁMKA:

- Dávejte pozor, abyste se neušpinili mazivem, které se nachází v okolí pohonu čepele.

Demontujte dolní kryt.

► **Obr.19:** 1. Dolní kryt 2. Kryt kotouče 3. Šrouby

Vyměňte podložku.

► **Obr.20:** 1. Deska

Plochým šroubovákem nastavte kliku do úhlu znázorněného na obrázku.

► **Obr.21:** 1. Klika

Vyšroubujte dva šrouby z čepele a čepel bude možné vyndat.

► **Obr.22:** 1. Šrouby 2. Čepel

### ⚠ UPOZORNĚNÍ:

- Pokud se převodovka omylem přemístí, vraťte ji do původní polohy, ve které byla nainstalována.

## Montáž stříhacích nožů

Připravte si 4 vyšroubované šrouby (pro dolní kryt), 2 šrouby (pro stříhací nože), podložku, dolní kryt a nové stříhací nože.

Nastavte polohu kliky podle obrázku. Naneste do okolí kliky mazivo dodané s novou čepelí.

► **Obr.23:** 1. Klika

Zarovnejte oválný otvor v horní čepeli s otvorem v té dolní.

► **Obr.24:** 1. Oválný otvor stříhacího nože

Sundejte kryt nožů ze staré čepele a nasadte jej na novou čepel, aby byla manipulace při montáži jednodušší.

► **Obr.25**

Nasadte novou čepel na nástroj tak, aby oválné otvory na čepeli zapadly na kliku. Zarovnejte otvory v čepeli s otvory pro šrouby na nástroji a potom zašroubujte dva šrouby.

► **Obr.26:** 1. Oválný otvor stříhacího nože 2. Klika 3. Šrouby

Plochým šroubovákem zkontrolujte, zda se klika volně otáčí.

► **Obr.27:** 1. Klika

Do nářadí nasadte podložku a spodní kryt. Pevně dotáhněte šroub.

### POZNÁMKA:

- Mezi horní a dolní stranou podložky není rozdíl.

Sundejte kryt nožů a potom zapněte nástroj, abyste zkontrolovali správný pohyb.

### POZNÁMKA:

- Pokud čepel nefunguje správně, spojení mezi klikou a čepelí není dobré. Opakujte celý postup od začátku.

## Výměna uhlíků

► **Obr.28:** 1. Mezní značka

Uhlíky pravidelně vyjímejte a kontrolujte. Jsou-li opotřebené až po mezní značku, vyměňte je. Uhlíky musí být čisté a musí volně zapadat do svých držáků. Oba uhlíky je třeba vyměňovat současně. Používejte výhradně stejné uhlíky.

► **Obr.29:** 1. Kryt víčka 2. Plochý šroubovák

Konec plochého šroubováku zasuňte do drážky v nářadí a nadzvednutím sejměte přídržovací kryt víčka.

► **Obr.30:** 1. Víčko držáku uhlíku 2. Plochý šroubovák

Plochým šroubovákem vyjměte přídržovací víčka uhlíků. Opotřebené uhlíky vyjměte, vložte nové a přídržovací víčka uhlíků nasadte zpět.

Nainstalujte kryt víčka zpět na nástroj.

## Skladování

Otvor v dolní části krytu nožů je vhodný pro pověšení nástroje na háček na zdi.

► **Obr.31**

Vyjměte blok akumulátoru a na stříhací nože nasadte kryt, aby nebylo odkryto ostří. Nářadí pečlivě uložte mimo dosah dětí.

Uchovávejte nástroj na místě, kde nebude vystaven vodě ani dešti.

Kvůli zachování BEZPEČNOSTI a SPOLEHLIVOSTI výrobku musí být opravy a veškerá další údržba či seřizování prováděny autorizovanými servisními středisky firmy Makita a s použitím náhradních dílů Makita.

## VOLITELNÉ PŘÍSLUŠENSTVÍ

### ⚠ UPOZORNĚNÍ:

- Pro váš nástroj Makita, popsany v tomto návodu, doporučujeme používat toto příslušenství a nástavce. Při použití jiného příslušenství či nástavců může hrozit nebezpečí zranění osob. Příslušenství a nástavce lze používat pouze pro jejich stanovené účely.

Potřebujete-li bližší informace ohledně tohoto příslušenství, obraťte se na vaše místní servisní středisko firmy Makita.

- Kryt nožů
- Čepel
- Originální akumulátor a nabíječka Makita
- Sběrač odřezků

### POZNÁMKA:

- Některé položky seznamu mohou být k zařízením přibaleny jako standardní příslušenství. Přibalené příslušenství se může v různých zemích lišit.

**Makita Europe N.V.** Jan-Baptist Vinkstraat 2,  
3070 Kortenberg, Belgium

**Makita Corporation** 3-11-8, Sumiyoshi-cho,  
Anjo, Aichi 446-8502 Japan

[www.makita.com](http://www.makita.com)

885336B979 EN, UK, PL, RO, DE, HU, SK, CS 20180516
---