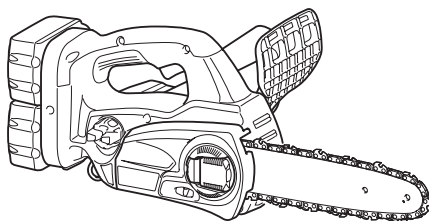




EN	Cordless Chain Saw	INSTRUCTION MANUAL	7
UK	Бездротова ланцюгова пила	ІНСТРУКЦІЯ З ЕКСПЛУАТАЦІЇ	18
PL	Akumulatorowa Pilarka Łańcuchowa	INSTRUKCJA OBSŁUGI	30
RO	Ferăstrău cu lanț cu acumulator	MANUAL DE INSTRUCȚIUNI	42
DE	Akku-Kettensäge	BEDIENUNGSANLEITUNG	54
HU	Akkumulátoros láncfűrész	HASZNÁLATI KÉZIKÖNYV	66
SK	Ručná reťazová píla	NÁVOD NA OBSLUHU	77
CS	Akkumulátorová řetězová píla	NÁVOD K OBSLUZE	88

DUC252
DUC302



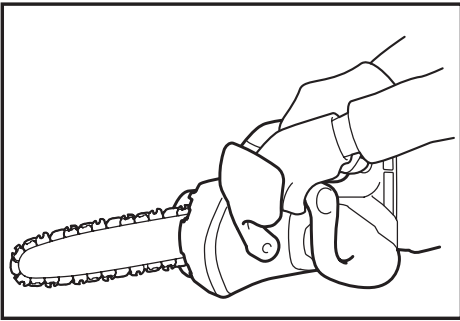


Fig.1

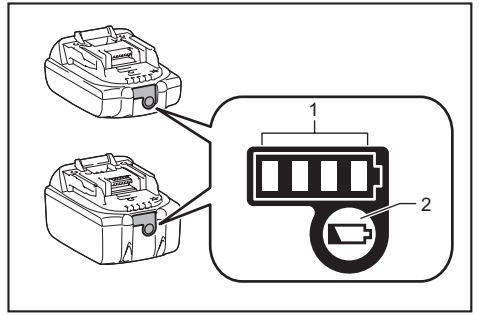


Fig.5

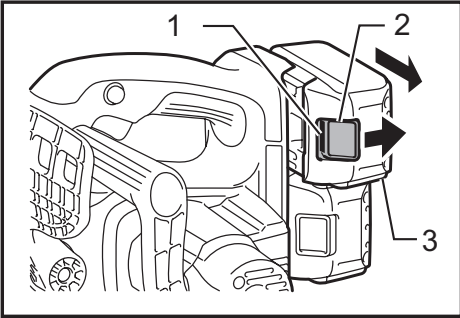


Fig.2

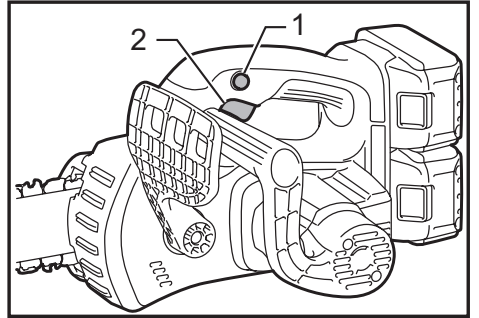


Fig.6

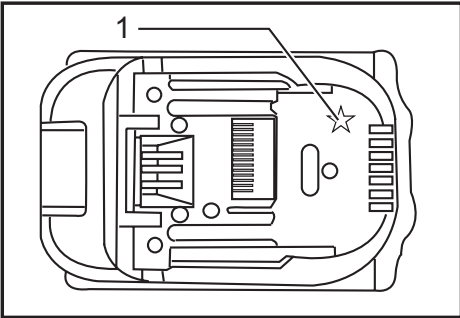


Fig.3

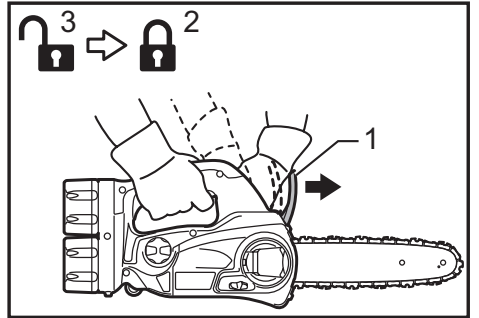


Fig.7

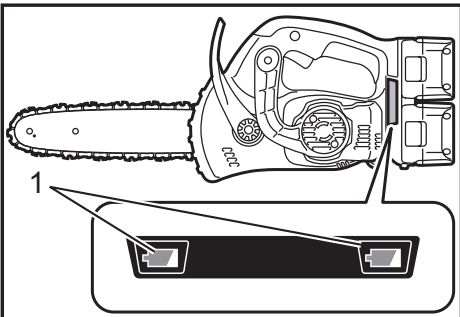


Fig.4

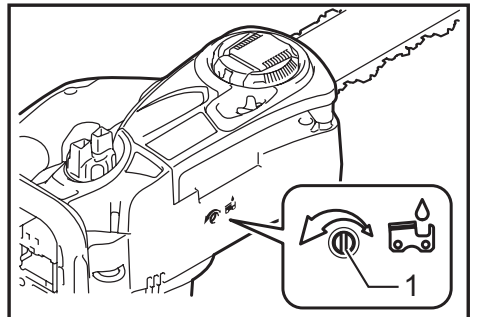


Fig.8

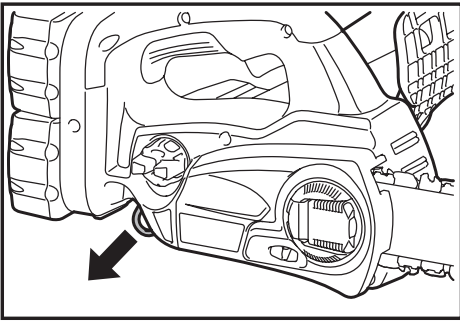


Fig.9

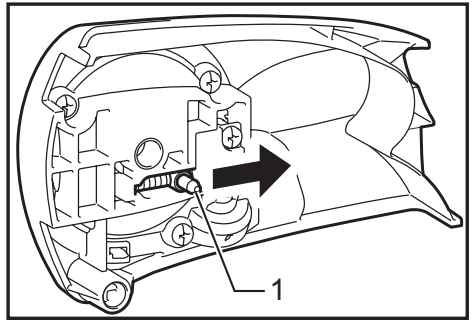


Fig.13

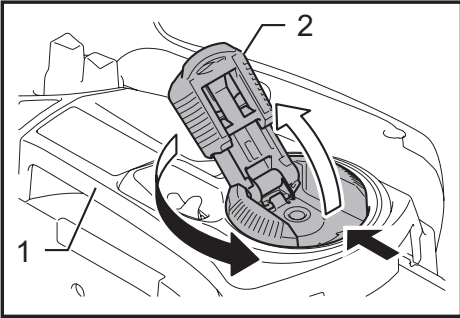


Fig.10

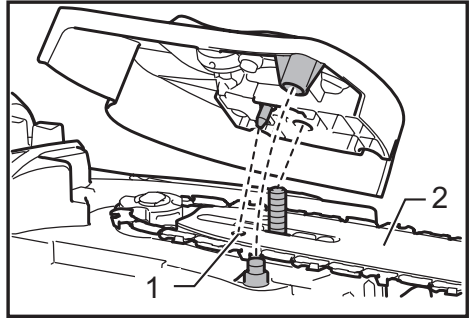


Fig.14

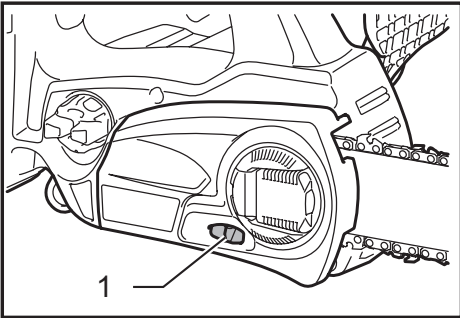


Fig.11

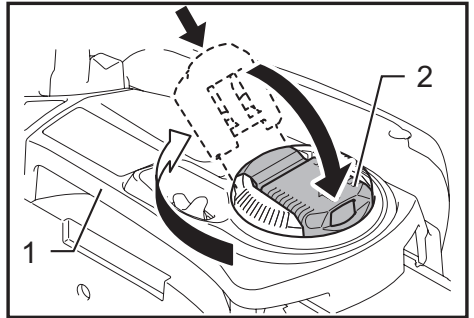


Fig.15

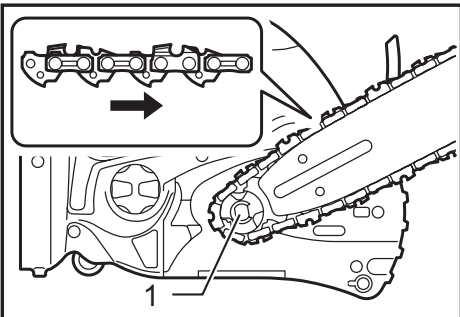


Fig.12

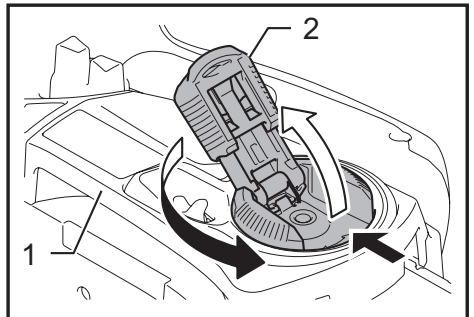


Fig.16

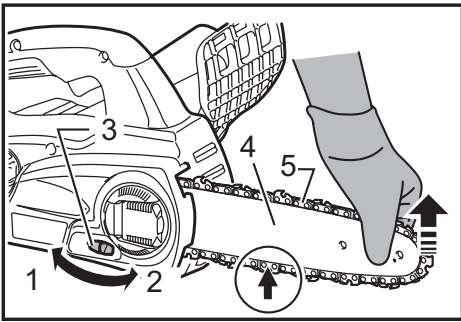


Fig.17

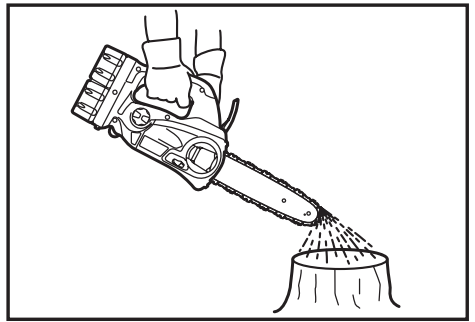


Fig.21

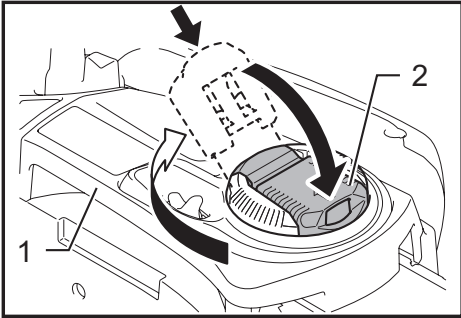


Fig.18

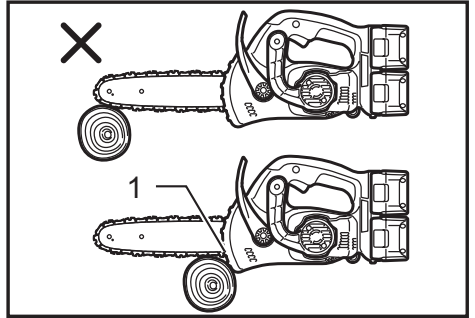


Fig.22

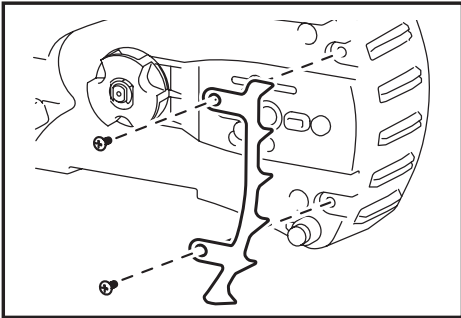


Fig.19

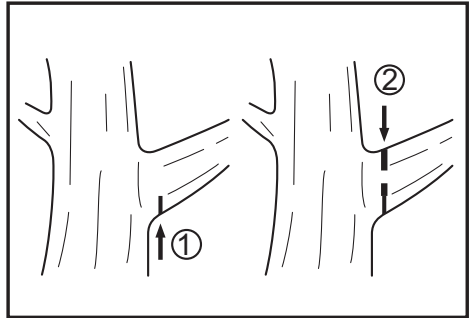


Fig.23

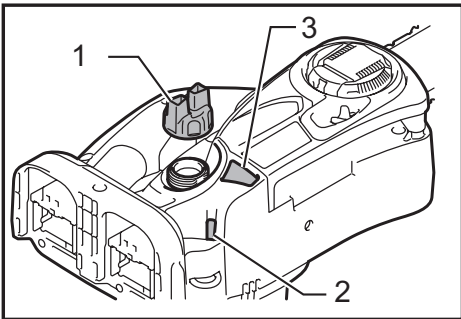


Fig.20

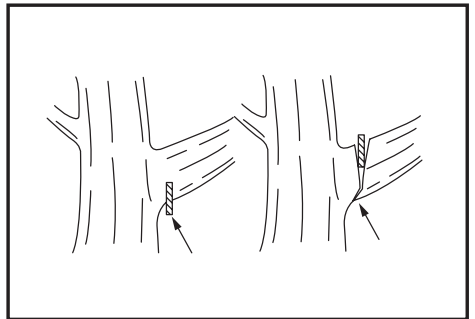


Fig.24

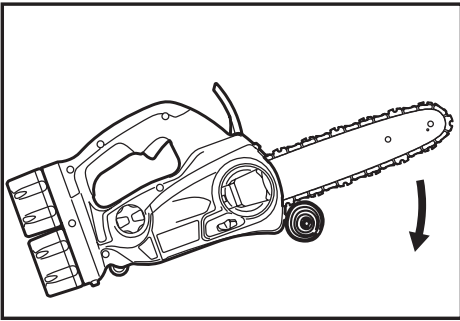


Fig.25

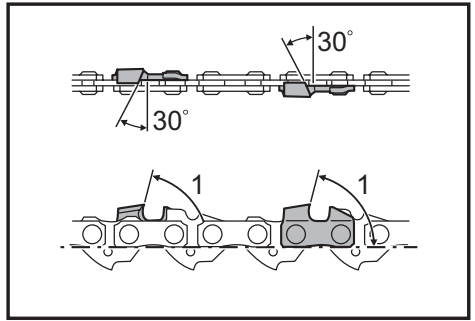


Fig.29

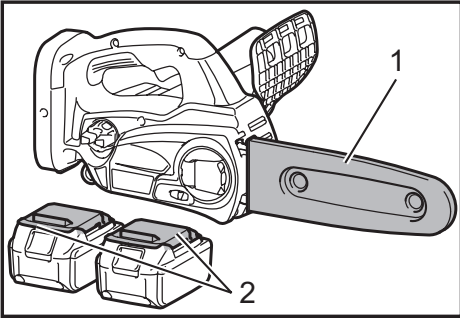


Fig.26

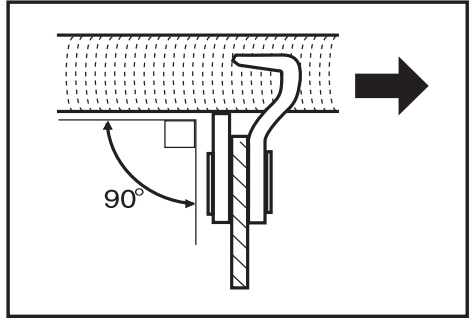


Fig.30

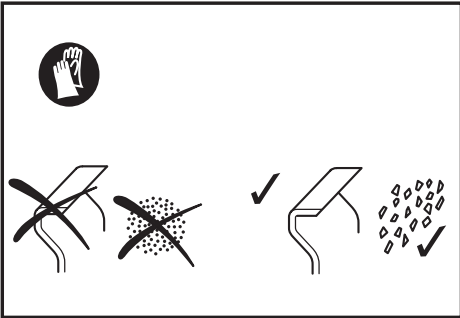


Fig.27

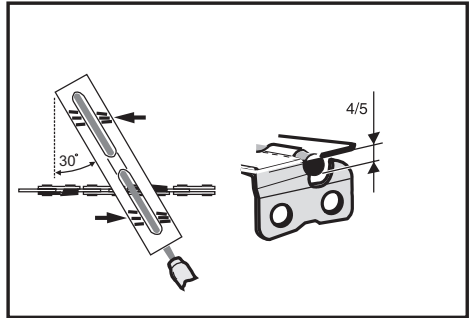


Fig.31

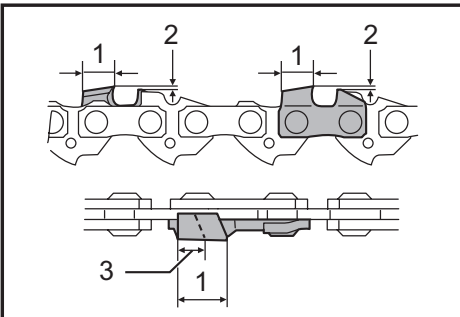


Fig.28

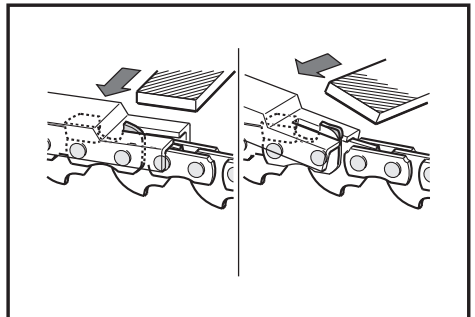


Fig.32

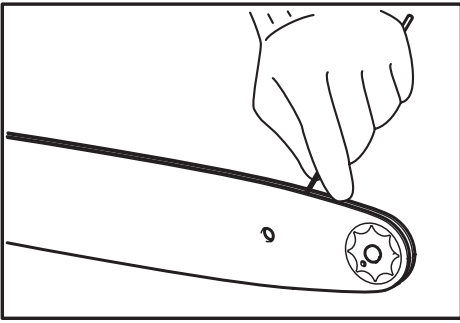


Fig.33

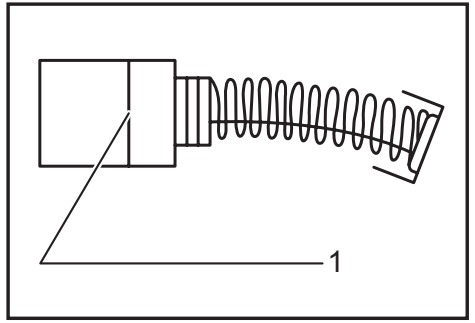


Fig.37

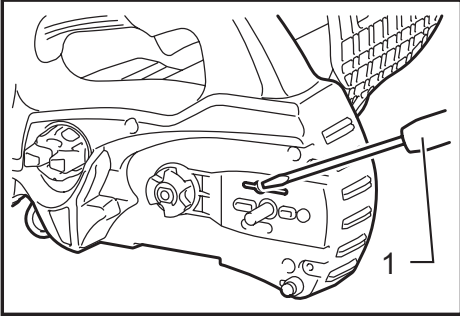


Fig.34

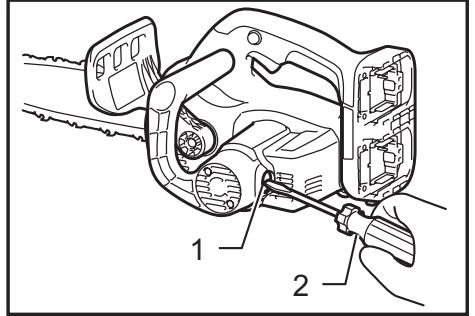


Fig.38

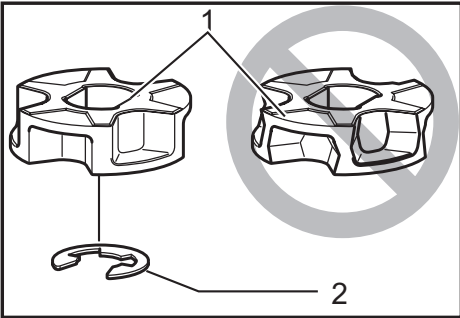


Fig.35

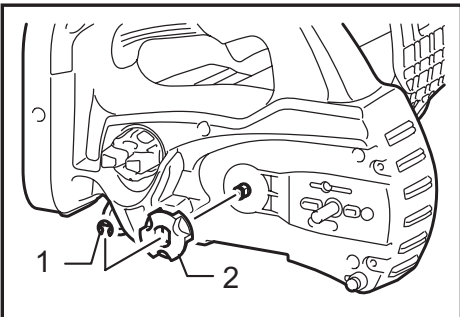


Fig.36

SPECIFICATIONS

Model		DUC252		DUC302
Standard guide bar	Guide bar length	250 mm		300 mm
	Cutting length	23 cm	24 cm	28 cm
	Type	Sprocket nose bar	Carving bar	Sprocket nose bar
Standard saw chain	Type	91PX	25AP	90PX
	Pitch	9.5 mm (3/8")	6.35 mm (1/4")	9.5 mm (3/8")
	Gauge	1.3 mm (0.05")	1.3 mm (0.05")	1.1 mm (0.043")
	No. of drive links	40	60	46
Sprocket	Number of teeth	6	9	6
	Pitch	9.5 mm (3/8")	6.35 mm (1/4")	9.5 mm (3/8")
Overall length (without guide bar)		316 mm		
Net weight	*1	4.1 kg		
	*2	4.6 kg	4.7 kg	
Chain speed per minute		8.3 m/s (500 m/min)		
Chain oil tank volume		85 cm ³		
Rated voltage		D.C. 36 V		D.C. 36 V

• Due to our continuing program of research and development, the specifications herein are subject to change without notice.

• Specifications and battery cartridge may differ from country to country.

*1 Weight, with largest battery cartridge, without guide bar and chain, empty oil tank, according to EN ISO 11681-2.

*2 Weight, with battery cartridge, guide bar, and chain, filled oil tank, according to EPTA-Procedure 01/2003.

WARNING: Use appropriate combination of the guide bar and saw chain. Otherwise personal injury may result.

Symbols

The following show the symbols used for the equipment. Be sure that you understand their meaning before use.

	Read instruction manual.
	Wear eye protection.
	Wear ear protection.
	Wear a helmet, goggles and ear protection.
	Use appropriate protection for foot-leg and hand-arm.
	This saw is to be used by properly trained operators only.
	Do not expose to rain.
	Maximum permissible cut length
	Direction of chain travel
	Saw chain oil adjustment



Only for EU countries
Do not dispose of electric equipment or battery pack together with household waste material!

In observance of the European Directives, on Waste Electric and Electronic Equipment and Batteries and Accumulators and Waste Batteries and Accumulators and their implementation in accordance with national laws, electric equipment and batteries and battery pack(s) that have reached the end of their life must be collected separately and returned to an environmentally compatible recycling facility.

Intended use

The tool is intended for cutting branches / pruning trees. It is also suitable for tree service.

Noise

The typical A-weighted noise level determined according to EN60745-2-13:

Sound pressure level (L_{pA}): 84.4 dB (A)

Sound power level (L_{WA}): 95.4 dB (A)

Uncertainty (K): 2.5 dB (A)

Wear ear protection

Vibration

The vibration total value (tri-axial vector sum) determined according to EN60745-2-13:

Model DUC252

Work mode : cutting wood

Vibration emission (a_h): 4.7 m/s²

Uncertainty (K): 1.5 m/s²

Model DUC302

Work mode : cutting wood

Vibration emission (a_{rh}) : 6.3 m/s²

Uncertainty (K) : 1.5 m/s²

NOTE: The declared vibration emission value has been measured in accordance with the standard test method and may be used for comparing one tool with another.

NOTE: The declared vibration emission value may also be used in a preliminary assessment of exposure.

⚠ WARNING: The vibration emission during actual use of the power tool can differ from the declared emission value depending on the ways in which the tool is used.

⚠ WARNING: Be sure to identify safety measures to protect the operator that are based on an estimation of exposure in the actual conditions of use (taking account of all parts of the operating cycle such as the times when the tool is switched off and when it is running idle in addition to the trigger time).

EC Declaration of Conformity

For European countries only

The EC declaration of conformity is included as Annex A to this instruction manual.

General Power Tool Safety Warnings

⚠ WARNING Read all safety warnings and all instructions. Failure to follow the warnings and instructions may result in electric shock, fire and/or serious injury.

Save all warnings and instructions for future reference.

Cordless Chain saw safety warnings:

1. **Keep all parts of the body away from the saw chain when the chain saw is operating. Before you start the chain saw, make sure the saw chain is not contacting anything.** A moment of inattention while operating chain saws may cause entanglement of your clothing or body with the saw chain.
2. **When holding with both hands, always hold the chain saw with your right hand on the rear handle and your left hand on the front handle.** Holding the chain saw with a reversed hand configuration increases the risk of personal injury and should never be done.
3. **Hold the power tool by insulated gripping surfaces only, because the saw chain may contact hidden wiring.** Saw chains contacting a "live" wire may make exposed metal parts of the power tool "live" and could give the operator an electric shock.
4. **Wear safety glasses and hearing protection. Further protective equipment for head, hands, legs and feet is recommended.** Adequate protective clothing will reduce personal injury by flying debris or accidental contact with the saw chain.

5. **Always keep proper footing.** Slippery or unstable surfaces may cause a loss of balance or control of the chain saw.
6. **When cutting a limb that is under tension be alert for spring back.** When the tension in the wood fibers is released the spring loaded limb may strike the operator and/or throw the chain saw out of control.
7. **Use extreme caution when cutting brush and saplings.** The slender material may catch the saw chain and be whipped toward you or pull you off balance.
8. **Carry the chain saw by the front handle with the chain saw switched off and away from your body. When transporting or storing the chain saw always fit the guide bar cover.** Proper handling of the chain saw will reduce the likelihood of accidental contact with the moving saw chain.
9. **Follow instructions for lubricating, chain tensioning and changing accessories.** Improperly tensioned or lubricated chain may either break or increase the chance for kickback.
10. **Keep handles dry, clean, and free from oil and grease.** Greasy, oily handles are slippery causing loss of control.
11. **Cut wood only. Do not use chain saw for purposes not intended. For example: do not use chain saw for cutting plastic, masonry or non-wood building materials.** Use of the chain saw for operations different than intended could result in a hazardous situation.
12. **Causes and operator prevention of kickback:** Kickback may occur when the nose or tip of the guide bar touches an object, or when the wood closes in and pinches the saw chain in the cut. Tip contact in some cases may cause a sudden reverse reaction, kicking the guide bar up and back towards the operator. Pinching the saw chain along the top of the guide bar may push the guide bar rapidly back towards the operator. Either of these reactions may cause you to lose control of the saw which could result in serious personal injury. Do not rely exclusively upon the safety devices built into your saw. As a chain saw user, you should take several steps to keep your cutting jobs free from accident or injury. Kickback is the result of tool misuse and/or incorrect operating procedures or conditions and can be avoided by taking proper precautions as given below:
 - **Maintain a firm grip, with thumbs and fingers encircling the chain saw handles, with both hands on the saw and position your body and arm to allow you to resist kickback forces.** Kickback forces can be controlled by the operator, if proper precautions are taken. Do not let go of the chain saw.

► Fig. 1

- **Do not overreach and do not cut above shoulder height.** This helps prevent unintended tip contact and enables better control of the chain saw in unexpected situations.
- **Only use replacement bars and chains specified by the manufacturer.** Incorrect replacement bars and chains may cause chain breakage and/or kickback.

- **Follow the manufacturer's sharpening and maintenance instructions for the saw chain.** Decreasing the depth gauge height can lead to increased kickback.

13. Before starting work, check that the chain saw is in proper working order and that its condition complies with the safety regulations. Check in particular that:
 - The chain brake is working properly;
 - The run-down brake is working properly;
 - The bar and the sprocket cover are fitted correctly;
 - The chain has been sharpened and tensioned in accordance with the regulations;
14. **Do not start the chain saw with the chain cover being installed on it.** Starting the chain saw with the chain cover being installed on it may cause the chain cover to be thrown out forward resulting in personal injury and damage to objects around the operator.

Top handle chainsaw specific safety warnings

1. This chain saw is designed especially for tree care and surgery. The chain saw is intended to be used by properly trained persons only. Observe all instructions, procedures and recommendations from the relevant professional organization. Otherwise fatal accidents may occur. It is recommended that always using a rising platform (cherry picker, lift) for sawing in trees. Rappelling techniques are extremely dangerous and require special training. The operators must be trained to become familiar with safety equipment usage and climbing techniques. Always use the appropriate belts, ropes and carabiners when working in trees. Always use restraining equipment for both the operator and the saw.
2. Perform cleaning and maintenance before storage in accordance with the instruction manual.
3. Ensure safe positioning of the chain saw during car transportation to avoid fuel or chain oil leakage, damage to the tool and personal injury.
4. Regularly check the functionality of chain brake.
5. Do not fill the chain oil near fire. Never smoke when you fill the chain oil.
6. National regulation may restrict the use of the chain saw.
7. If the equipment gets heavy impact or fall, check the condition before continuing work. Check the controls and safety devices for malfunction. If there is any damage or doubt, ask our authorized service center for the inspection and repair.
8. Always activate the chain brake before starting the chain saw.
9. Hold the saw firmly in place to avoid skating (skid movement) or bouncing of the saw when starting a cut.
10. At the end of the cut, be careful to keep your balance due to the "drop".
11. Take into account the direction and speed of the wind. Avoid sawdust and chain oil mist.

Protective equipment

1. **In order to avoid head, eye, hand or foot injuries as well as to protect your hearing the following protective equipment must be used during operation of the chain saw:**
 - The kind of clothing should be appropriate, i. e. it should be tight-fitting but not be a hindrance. Do not wear jewelry or clothing which could become entangled with bushes or shrubs. If you have long hair, always wear a hairnet!
 - It is necessary to wear a protective helmet whenever working with the chain saw. The **protective helmet** is to be checked in regular intervals for damage and is to be replaced after 5 years at the latest. Use only approved protective helmets.
 - The **face shield** of the protective helmet (or the goggles) protects against sawdust and wood chips. During operation of the chain saw always wear a goggle or a face shield to prevent eye injuries.
 - Wear adequate **noise protection equipment** (ear muffs, ear plugs, etc.).
 - The **protective jacket** consists of 22 layers of nylon and protects the operator against cuts. It is always to be worn when working from elevated platforms (cherry pickers, lifts), from platforms mounted on ladders or when climbing with ropes.
 - The **protective brace and bib overall** is made of a nylon fabric with 22 layers and protects against cuts. We strongly recommend its use.
 - **Protective gloves** made of thick leather are part of the prescribed equipment and must always be worn during operation of the chain saw.
 - During operation of the chain saw **safety shoes or safety boots** fitted with anti skid sole, steel toe caps and protection for the leg must always be worn. Safety shoes equipped with a protective layer provide protection against cuts and ensure a secure footing. For working in trees the safety boots must be suitable for climbing techniques.

Vibration

1. Individuals with poor circulation who are exposed to excessive vibration may experience injury to blood vessels or the nervous system. Vibration may cause the following symptoms to occur in the fingers, hands or wrists: "Falling asleep" (numbness), tingling, pain, stabbing sensation, alteration of skin colour or of the skin. **If any of these symptoms occur, see a physician!** To reduce the risk of "white finger disease", keep your hands warm during operation and well maintain the equipment and accessories.

SAVE THESE INSTRUCTIONS.

⚠WARNING: DO NOT let comfort or familiarity with product (gained from repeated use) replace strict adherence to safety rules for the subject product. MISUSE or failure to follow the safety rules stated in this instruction manual may cause serious personal injury.

IMPORTANT SAFETY INSTRUCTIONS

FOR BATTERY CARTRIDGE

1. Before using battery cartridge, read all instructions and cautionary markings on (1) battery charger, (2) battery, and (3) product using battery.
2. Do not disassemble battery cartridge.
3. If operating time has become excessively shorter, stop operating immediately. It may result in a risk of overheating, possible burns and even an explosion.
4. If electrolyte gets into your eyes, rinse them out with clear water and seek medical attention right away. It may result in loss of your eyesight.
5. Do not short the battery cartridge:
 - (1) Do not touch the terminals with any conductive material.
 - (2) Avoid storing battery cartridge in a container with other metal objects such as nails, coins, etc.
 - (3) Do not expose battery cartridge to water or rain.

A battery short can cause a large current flow, overheating, possible burns and even a breakdown.

6. Do not store the tool and battery cartridge in locations where the temperature may reach or exceed 50°C (122°F).
7. Do not incinerate the battery cartridge even if it is severely damaged or is completely worn out. The battery cartridge can explode in a fire.
8. Be careful not to drop or strike battery.
9. Do not use a damaged battery.
10. Follow your local regulations relating to disposal of battery.

SAVE THESE INSTRUCTIONS.

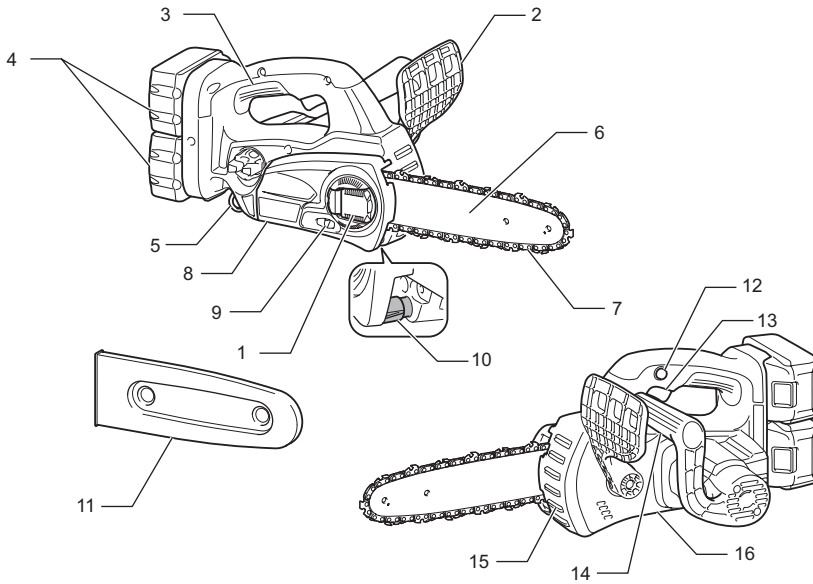
Tips for maintaining maximum battery life

1. Charge the battery cartridge before completely discharged.

Always stop tool operation and charge the battery cartridge when you notice less tool power.
2. Never recharge a fully charged battery cartridge.

Overcharging shortens the battery service life.
3. Charge the battery cartridge with room temperature at 10°C - 40°C (50°F - 104°F). Let a hot battery cartridge cool down before charging it.
4. Charge the battery cartridge once in every six months if you do not use it for a long period of time.

PARTS DESCRIPTION



1	Lever	2	Front hand guard	3	Top handle
4	Battery cartridge	5	Carabinar (rope attachment point)	6	Guide bar
7	Saw chain	8	Sprocket cover	9	Adjusting dial
10	Chain catcher	11	Guide bar cover	12	Lock-off button
13	Switch trigger	14	Front handle	15	Spike bumper
16	Adjusting screw for oil pump (at the bottom)	-	-	-	-

FUNCTIONAL DESCRIPTION

CAUTION:

- Always be sure that the tool is switched off and the battery cartridge is removed before adjusting or checking function on the tool.

Installing or removing battery cartridge

► Fig.2: 1. Red indicator 2. Button 3. Battery cartridge

CAUTION:

- Always switch off the tool before installing or removing of the battery cartridge.
- Hold the tool and the battery cartridge firmly when installing or removing battery cartridge.** Failure to hold the tool and the battery cartridge firmly may cause them to slip off your hands and result in damage to the tool and battery cartridge and a personal injury.

To remove the battery cartridge, slide it from the tool while sliding the button on the front of the cartridge. To install the battery cartridge, align the tongue on the battery cartridge with the groove in the housing and slide it into place. Insert it all the way until it locks in place with a little click. If you can see the red indicator on the upper side of the button, it is not locked completely.

CAUTION:

- Always install the battery cartridge fully until the red indicator cannot be seen. If not, it may accidentally fall out of the tool, causing injury to you or someone around you.
- Do not install the battery cartridge forcibly. If the cartridge does not slide in easily, it is not being inserted correctly.

NOTE:

- The tool does not work with only one battery cartridge.

Tool / battery protection system

The tool is equipped with a tool/battery protection system. This system automatically cuts off power to the motor to extend tool and battery life.

The tool will automatically stop during operation if the tool or battery are placed under one of the following conditions. In some conditions, the indicators light up.

Overload protection

When the tool is operated in a manner that causes it to draw an abnormally high current, the tool automatically stops without any indication. In this situation, turn the tool off and stop the application that caused the tool to become overloaded. Then turn the tool on to restart.

Overheat protection for battery / tool

When the battery / tool is overheated, the tool stops automatically without any indication. The tool does not start even if pulling the switch trigger. In this situation, let the battery / tool cool before turning the tool on again.

NOTE: The battery overheat protection works only with a battery cartridge with a star marking.

► Fig.3: 1. Star marking

Overdischarge protection

► Fig.4: 1. Battery indicator

When the remaining battery capacity gets low, the battery indicator blinks on the applicable battery side. By further use, the tool stops and the battery indicator lights up about 10 seconds. In this situation, charge the battery cartridge.

Indicating the remaining battery capacity

Only for battery cartridges with the indicator

► Fig.5: 1. Indicator lamps 2. Check button

Press the check button on the battery cartridge to indicate the remaining battery capacity. The indicator lamps light up for a few seconds.

Indicator lamps			Remaining capacity
Lighted	Off	Blinking	
■ ■ ■ ■			75% to 100%
■ ■ ■ □			50% to 75%
■ ■ □ □			25% to 50%
■ □ □ □			0% to 25%
▣ □ □ □			Charge the battery.
■ ■ □ □			The battery may have malfunctioned.
□ □ ■ ■			

NOTE: Depending on the conditions of use and the ambient temperature, the indication may differ slightly from the actual capacity.

Switch action

CAUTION:

- Before installing the battery cartridge into the tool, always check to see that the switch trigger actuates properly and returns to the "OFF" position when released.

► Fig.6: 1. Lock-off button 2. Switch trigger

To prevent the switch trigger from being accidentally pulled, a lock-off button is provided.

To start the tool, depress the lock-off button and pull the switch trigger. Release the switch trigger to stop.

Checking the chain brake

NOTE:

- If the chain saw fails to start, the chain brake must be released. Pull the front hand guard backwards firmly until you feel it engage.

Hold the chain saw with both hands when switching it on. Hold the top handle with your right hand, the front handle with your left. The bar and the chain must not be in contact with any object. First press the lock-off button, then the switch trigger. The saw chain starts immediately.

► **Fig.7:** 1. Front hand guard 2. Lock 3. Unlock

Press the front hand guard forwards using the back of your hand. The saw chain must come to an immediate standstill.

CAUTION:

- Should the saw chain not stop immediately when this test is performed, the saw may not be used under any circumstances. Consult a MAKITA specialist repair shop.

Checking the run-down brake

Switch on the chain saw.

Release the switch trigger completely. The saw chain must come to a standstill within one second.

CAUTION:

- Should the saw chain not come to a stop within one second when this test is performed, the saw must not be used. Consult a MAKITA specialist repair shop.

Adjusting the chain lubrication

► **Fig.8:** 1. Adjusting screw

You can adjust the oil pump feed rate with the adjusting screw. The amount of oil can be adjusted using the universal wrench.

Carabiner (rope attachment point)

► **Fig.9**

Carabiner (Rope attachment point) is for use of tool hanging. Before using carabiner, pull it out and tie it with a rope.

ASSEMBLY

CAUTION:

- Always be sure that the tool is switched off and the battery cartridge is removed before carrying out any work on the tool.

Removing or installing saw chain

CAUTION:

- Always wear gloves when installing or removing the saw chain.
- The saw chain and the guide bar are still hot just after the operation. Let them cool down enough before carrying out any work on the tool.

To remove the saw chain, perform the following steps:

1. Press and fully open the lever until it stops.
► **Fig.10:** 1. Sprocket cover 2. Lever
2. Turn the adjusting dial to "-" direction to release the saw chain tension.
► **Fig.11:** 1. Adjusting dial
3. Turn the lever counterclockwise to loosen the sprocket cover until it comes off.
4. Remove the sprocket cover.
5. Remove the saw chain and guide bar from the chain saw.

To install the saw chain, perform the following steps:

6. Make sure the direction of the chain. The arrow mark on the chain shows the direction of the chain.
► **Fig.12:** 1. Sprocket
7. Fit in one end of the saw chain on the top of the guide bar and the other end of it around the sprocket.
8. Rest the guide bar in place on the chain saw.
9. Turn the adjusting dial to "-" direction to slide the adjusting pin in the direction of arrow.
► **Fig.13:** 1. Adjusting pin
10. Place the sprocket cover on the chain saw so that the adjusting pin is positioned in a small hole in the guide bar.
► **Fig.14:** 1. Hole 2. Guide bar
11. Turn the lever clockwise fully and a quarter turn back to keep looseness for adjusting chain tension.
12. Turn the adjusting dial, and adjust the chain tension.
13. Turn the lever clockwise to secure the sprocket cover.
► **Fig.15:** 1. Sprocket cover 2. Lever
14. Press and return the lever to its original position.

Adjusting saw chain tension

The saw chain may become loose after many hours of use. From time to time check the saw chain tension before use.

1. Press and fully open the lever until it clicks. Turn it counterclockwise a little to loosen sprocket cover lightly.
► **Fig.16:** 1. Sprocket cover 2. Lever
 2. Lift up the guide bar tip slightly.
► **Fig.17:** 1. Loosen 2. Tighten 3. Adjusting dial 4. Guide bar 5. Saw chain
 3. Turn the adjusting dial to adjust the saw chain tension. Tighten the saw chain until the lower side of the saw chain fits in the guide bar rail (see circle in the figure).
 4. Keep holding the guide bar lightly and tighten the sprocket cover after adjusting the chain tension. Make sure that the saw chain does not loose at lower side.
 5. Press and return the lever to its original position.
► **Fig.18:** 1. Sprocket cover 2. Lever
- Make sure the saw chain fits snugly against the lower side of the bar.

⚠ CAUTION:

- Do not tighten the saw chain too much. Excessively high tension of saw chain may cause breakage of saw chain, wear of the guide bar and breakage of the adjusting dial.
- A chain which is too loose can jump off the bar, and therefore presents an accident risk.
- Carry out the procedure of installing or removing saw chain in a clean place free from sawdust and the like.

Spike bumper (optional accessory)

▶ Fig.19

To install spike bumper, perform the following steps:

1. Remove the sprocket cover, saw chain and guide bar as described in this instruction manual.
2. Place the spike bumper, with the spikes facing upwards, so that its holes line up with the holes provided on the chain saw.
3. Tighten the spike bumper with the two screws provided.

OPERATION

⚠ CAUTION: Do not cover vents, or it may cause overheating and damage to the tool.

Lubrication

- ▶ Fig.20:** 1. Oil tank cap 2. Oil inspection window (for refilling the tank with oil) 3. Oil inspection window

Saw chain is automatically lubricated when the tool is in operation.

Check the amount of remaining oil in the oil tank through the oil inspection window.

To refill the tank, remove the cap from the oil tank opening.

After refilling the tank, always screw the provided oil tank cap on the chain saw.

⚠ CAUTION:

- When filling the chain saw with chain oil for the first time, or refilling the tank after it has been completely emptied, add oil up to the bottom edge of the filler neck. The oil delivery may otherwise be impaired.
- As a saw chain oil, use oil exclusively for Makita chain saws or oil available in market.
- Never use oil including dust and particles or volatile oil.
- When pruning trees, use botanical oil. Mineral oil may harm trees.
- Never force the chain saw when pruning trees.
- Before cutting out, make sure that the provided oil tank cap is screwed in place.

▶ Fig.21

Hold the chain saw away from the tree. Start it and wait until lubrication on saw chain is adequate. Bring the spike bumper into contact with the branch to be cut before switching on. Otherwise it may cause the guide bar to wobble, resulting in injury to operator. Saw the wood to be cut by just moving it down.

WORKING WITH THE CHAIN SAW

Pruning trees

- ▶ Fig.22:** 1. Spike bumper

⚠ CAUTION:

- Keep all parts of the body away from the saw chain when the motor is operating.
- Hold the chain saw firmly with both hands when the motor is running.
- Do not overreach. Keep proper footing and balance at all times.

Bring the spike bumper into contact with the branch to be cut before switching on. Cutting without bringing the spike bumper into contact with the branch may cause the guide bar to wobble, resulting in injury to operator.

▶ Fig.23

When cutting thick branches, first make a shallow undercut and then make the finish cut from the top.

▶ Fig.24

If you try to cut off thick branches from the bottom, the branch may close in and pinch the saw chain in the cut. If you try to cut off thick branches from the top without a shallow undercut, the branch may splinter.

▶ Fig.25

If you cannot cut the timber right through with a single stroke:

Apply light pressure to the handle and continue sawing and draw the chain saw back a little; then apply the spike a little lower and finish the cut by raising the handle.

Carrying tool

- ▶ Fig.26:** 1. Guide bar cover 2. Battery cover

Always remove the battery cartridge from the tool and overlap the guide bar with the guide bar cover before carrying the tool. Also cover the battery cartridge with the battery cover.

MAINTENANCE

⚠ CAUTION:

- Always be sure that the tool is switched off and the battery cartridge is removed before attempting to perform inspection or maintenance.
- Always wear gloves when performing any inspection or maintenance.
- Never use gasoline, benzine, thinner, alcohol or the like. Discoloration, deformation or cracks may result.

Sharpening the saw chain

⚠ CAUTION:

- Always remove the battery cartridge and wear safety gloves when performing work on the saw chain.

► Fig.27

Sharpen the saw chain when:

- Mealy sawdust is produced when damp wood is cut;
- The chain penetrates the wood with difficulty, even when heavy pressure is applied;
- The cutting edge is obviously damaged;
- The saw pulls to the left or right in the wood. The reason for this behaviour is uneven sharpening of the saw chain, or damage to one side only.

Sharpen the saw chain frequently, but remove only a little material each time.

Two or three strokes with a file are usually sufficient for routine resharpening. When the saw chain has been resharpened several times, have it sharpened in a MAKITA specialist repair shop.

Sharpening criteria:

- All cutter length must be equal. Cutters of differing length prevent the chain from running smoothly, and may cause the chain to break.
- Do not sharpen the chain once a minimum cutter length of 3 mm has been reached. A new chain must then be fitted.
- The chip thickness is determined by the distance between the depth gauge (round nose) and the cutting edge.
- The best cutting results are obtained with following distance between cutting edge and depth gauge.
Chain blade 90PX: 0.5 mm
Chain blade 91PX: 0.65 mm
Chain blade 25AP: 0.65 mm

► Fig.28: 1. Cutting length 2. Distance between cutting edge and depth gauge 3. Minimum 3 mm

⚠ WARNING:

- An excessive distance increases the risk of kick-back.
 - The sharpening angle of 30 ° must be the same on all cutters. Differences in angle cause the chain to run roughly and unevenly, accelerate wear, and lead to chain breaks.
 - The side plate angle of the cutter is determined by the depth of penetration of the round file. If the specified file is used properly, the correct side plate angle is produced automatically.
 - Side plate angle for each saw chain are as follows:
Chain blade 90PX: 75 °
Chain blade 91PX: 80 °
Chain blade 25AP: 85 °
- Fig.29: 1. Side plate angle

File and file guiding

- Use a special round file (optional accessory) for saw chains to sharpen the chain. Normal round files are not suitable.
 - Diameter of the round file for each saw chain is as follows:
Chain blade 90PX: 4.5 mm
Chain blade 91PX: 4.0 mm
Chain blade 25AP: 4.0 mm
 - The file should only engage the cutter on the forward stroke. Lift the file off the cutter on the return stroke.
 - Sharpen the shortest cutter first. Then the length of this shortest cutter becomes the standard for all other cutters on the saw chain.
- Fig.30
- Guide the file as shown in the figure.
 - The file can be guided more easily if a file holder (optional accessory) is employed. The file holder has markings for the correct sharpening angle of 30 ° (align the markings parallel to the saw chain) and limits the depth of penetration (to 4/5 of the file diameter).

► Fig.31

- After sharpening the chain, check the height of the depth gauge using the chain gauge tool (optional accessory).

► Fig.32

- Remove any projecting material, however small, with a special flat file (optional accessory).
- Round off the front of the depth gauge again.

Cleaning guide bar

► Fig.33

Chips and sawdust will build up in the guide bar groove, clogging it and impairing oil flow. Always clean out the chips and sawdust when sharpening or replacing the saw chain.

Cleaning the oil discharge hole

Small dust or particles may be built up in the oil discharge hole during operation. Small dust or particles built up in the oil discharge hole may impair the oil discharge flow and cause an insufficient lubrication on the whole saw chain. When a poor chain oil delivery occurs at the top of guide bar, clean the oil discharge hole as follows. Remove the battery cartridge from the tool. Remove the sprocket cover and saw chain from the tool. (Refer to the section titled "Installing or removing saw chain".)

► Fig.34: 1. Slotted screwdriver

Remove the small dust or particles using a slotted screwdriver with a slender shaft or the like. Insert the battery cartridge into the tool. Pull the switch trigger to flow built-up dust or particles off the oil discharge hole by discharging chain oil. Remove the battery cartridge from the tool. Reinstall the sprocket cover and saw chain on the tool.

Replacing the sprocket

► **Fig.35:** 1. Sprocket 2. Locking ring

Before fitting a new saw chain, check the condition of the sprocket.

CAUTION:

- A worn sprocket will damage a new saw chain. Have the sprocket replaced in this case. The sprocket needs to be installed so that it always faces as shown in the figure.

► **Fig.36:** 1. Locking ring 2. Sprocket

Always fit a new locking ring when replacing the sprocket.

Replacing carbon brushes

► **Fig.37:** 1. Limit mark

Remove and check the carbon brushes regularly. Replace when they wear down to the limit mark. Keep the carbon brushes clean and free to slip in the holders. Both carbon brushes should be replaced at the same time. Use only identical carbon brushes.

► **Fig.38:** 1. Brush holder cap 2. Screwdriver

Use a screwdriver to remove the brush holder caps. Take out the worn carbon brushes, insert the new ones and secure the brush holder caps.

Storing tool

Clean the tool before storing. Remove any chips and sawdust from the tool after removing the sprocket cover. After cleaning the tool, run it under no load to lubricate the saw chain and guide bar.

Cover the guide bar with the guide bar cover.

Remove oil from the oil tank to empty it and place the chain saw.

To maintain product SAFETY and RELIABILITY, repairs, any other maintenance or adjustment should be performed by Makita Authorized Service Centers, always using Makita replacement parts.

Instructions for periodic maintenance

To ensure long life, prevent damage and ensure the full functioning of the safety features the following maintenance must be performed regularly.

Warranty claims can be recognized only if this work is performed regularly and properly. Failure to perform the prescribed maintenance work can lead to accidents!

The user of the chain saw must not perform maintenance work which is not described in the instruction manual. All such work must be carried out by authorized service centre.

Item	Operating time	Before operation	Everyday	Every week	Every 3 month	Annually	Before storage
Chain saw	Inspection.	○					
	Cleaning.		○				
	Check at authorized service center.					○	○
Saw chain	Inspection.	○					
	Sharpening if necessary.						○
Guide bar	Inspection.	○	○				
	Remove from the chain saw.						○
Chain brake	Check the function.	○					
	Have it inspected regularly at authorized service center.				○		
Chain lubrication	Check the oil feed rate.	○					
Switch trigger	Inspection.	○					
Lock-off button	Inspection.	○					
Oil tank cap	Check tightness.	○					
Chain catcher	Inspection.			○			
Screws and nuts	Inspection.			○			

TROUBLE SHOOTING

Before asking for repairs, conduct your own inspection first. If you find a problem that is not explained in the manual, do not attempt to dismantle the tool. Instead, ask Makita Authorized Service Centers, always using Makita replacement parts for repairs.

Malfunction status	Cause	Action
Chain saw does not start.	Two battery cartridges are not installed.	Install the charged battery cartridges.
	Battery problem (under voltage).	Recharge the battery cartridge. If recharging is not effective, replace battery cartridge.
Chain does not run.	Chain brake activated.	Release chain brake.
Motor stops running after a little use.	Battery's charge level is low.	Recharge the battery cartridge. If recharging is not effective, replace battery cartridge.
No oil on the chain.	Oil tank is empty.	Fill the oil tank.
	Oil guide groove is dirty.	Clean the groove.
	Oil delivery is not adjusted properly.	Adjust amount of oil delivery.
It does not reach maximum RPM.	Battery cartridge is installed improperly.	Install the battery cartridge as described in this manual.
	Battery power is dropping.	Recharge the battery cartridge. If recharging is not effective, replace battery cartridge.
	The drive system does not work correctly.	Ask your local authorized service center for repair.
Chain does not stop even the chain brake is activated. Stop the machine immediately!	Brake band worn down.	Ask your local authorized service center for repair.
Abnormal vibration: Stop the machine immediately!	Loose guide bar or saw chain.	Adjust the guide bar and saw chain tension.
	Tool malfunction.	Ask your local authorized service center for repair.

OPTIONAL ACCESSORIES

CAUTION:

- These accessories or attachments are recommended for use with your Makita tool specified in this manual. The use of any other accessories or attachments might present a risk of injury to persons. Only use accessory or attachment for its stated purpose.

If you need any assistance for more details regarding these accessories, ask your local Makita Service Center.

- Makita genuine battery and charger
- Saw chain
- Guide bar
- Guide bar cover
- File
- Tool bag

NOTE:

- Some items in the list may be included in the tool package as standard accessories. They may differ from country to country.

ТЕХНІЧНІ ХАРАКТЕРИСТИКИ

Модель		DUC252		DUC302
Стандартна шина	Довжина шини	250 мм		300 мм
	Довжина різання	23 см	24 см	28 см
	Тип	Шина з кінцевою зіркою	Шина для різьблення по дереву	Шина з кінцевою зіркою
Стандартний пиляльний ланцюг	Тип	91PX	25AP	90PX
	Крок	9,5 мм (3/8")	6,35 мм (1/4")	9,5 мм (3/8")
	Глибиномір	1,3 мм (0,05")	1,3 мм (0,05")	1,1 мм (0,043")
	Кількість приводних ланок	40	60	46
Зірка	Кількість зубців	6	9	6
	Крок	9,5 мм (3/8")	6,35 мм (1/4")	9,5 мм (3/8")
Загальна довжина (без шини)		316 мм		
Чиста вага	*1			4,1 кг
	*2	4,6 кг		4,7 кг
Швидкість ланцюга на хвилину		8,3 м/с (500 м/хв)		
Об'єм мастильного баку		85 см ³		
Номінальна напруга		36 В пост. струму		36 В пост. струму

• Через те, що ми не припиняємо програми досліджень і розвитку, наведені тут технічні характеристики можуть бути змінені без попередження.

• Технічні характеристики приладу та касета з акумулятором можуть відрізнятися в різних країнах.

*1 Вага з найбільшою касетою з акумулятором, без шини та ланцюга, з порожнім мастильним баком відповідно до EN ISO 11681-2.

*2 Вага з касетою з акумулятором, з шиною, ланцюгом та повним мастильним баком відповідно до EPTA-Procedure 01/2003.

УВАГА: Використовуйте відповідну комбінацію пиляльного ланцюга та шини. Недотримання цієї вимоги може призвести до отримання серйозних травм.

Символи

Далі наведені символи, які застосовуються для позначення обладнання. Перед користуванням переконайтеся, що Ви розумієте їхнє значення.

	Прочитайте дану інструкцію.
	Вдягайте засоби захисту очей.
	Вдягайте засоби захисту вух.
	Обов'язково одягайте шолом, окуляри та засоби захисту органів слуху.
	Використовуйте належний захист ніг та рук.
	Цю пилу може використовувати тільки належним чином навчений персонал.
	Не залишайте інструмент під дощем.
	Максимальна допустима довжина різання

	Напрямок пересування ланцюга
	Регулювання змащування ланцюгової пили
	Тільки для країн ЄС Не викидайте електроприлади або акумуляторні батареї разом із побутовим сміттям! Згідно з Європейськими директивами про утилізацію електричного та електронного обладнання та про утилізацію батарей та акумуляторів і батарей та акумуляторів, термін служби яких закінчився, та їх використанням із дотриманням національних законів, електричне обладнання, батареї та акумулятори, термін служби яких закінчився, потрібно збирати окремо та відправляти на екологічно чисті підприємства з їхньої переробки.

Використання за призначенням

Інструмент призначений для обрізання гілок/дерев. Він також підходить для виконання робіт на деревах.

Шум

Рівень шуму за шкалою А у типовому виконанні, визначений відповідно до EN60745-2-13:

Рівень звукового тиску (L_{РА}): 84,4 дБ (А)

Рівень звукової потужності (L_{WA}): 95,4 дБ (А)

Похибка (K): 2,5 дБ (А)

Користуйтеся засобами захисту слуху

Вібрація

Загальна величина вібрації (сума трьох векторів) визначена згідно з EN60745-2-13:

Модель DUC252

Режим роботи: пиляння деревини

Вібрація (a_h): 4,7 м/с²

Похибка (K): 1,5 м/с²

Модель DUC302

Режим роботи: пиляння деревини

Вібрація (a_h): 6,3 м/с²

Похибка (K): 1,5 м/с²

ПРИМІТКА: Заявлене значення вібрації було виміряно у відповідності до стандартних методів тестування та може використовуватися для порівняння одного інструмента з іншим.

ПРИМІТКА: Заявлене значення вібрації може також використовуватися для попередньої оцінки впливу.

▲ ПОПЕРЕДЖЕННЯ: Залежно від умов використання вібрація під час фактичної роботи інструмента може відрізнитися від заявленого значення вібрації.

▲ ПОПЕРЕДЖЕННЯ: Забезпечте належні запобіжні заходи для захисту оператора, що відповідатимуть умовам використання інструмента (слід брати до уваги всі складові робочого циклу, такі як час, коли інструмент вимкнено та коли він починає працювати на холостому ході під час запуску).

Декларація про відповідність стандартам ЄС

Тільки для країн Європи

Декларацію про відповідність стандартам ЄС наведено в Додатку А до цієї інструкції з експлуатації.

Застереження стосовно техніки безпеки при роботі з електроприладами

▲ УВАГА! Прочитайте усі застереження стосовно техніки безпеки та всі інструкції. Недотримання даних застережень та інструкцій може призвести до ураження струмом та виникнення пожежі та/або серйозних травм.

Збережіть усі інструкції з техніки безпеки та експлуатації на майбутнє.

Попередження про необхідну обережність під час роботи з акумуляторною ланцюговою пилою:

1. Коли ланцюгова пила працює, слід забрати усі частини тіла від пильного ланцюга. Перед тим, як запускати ланцюгову пилу слід перевірити, щоб пильний ланцюг нічого не торкався. Відволікання на короткий час під час роботи пили може призвести до того, що одяг буде затягнуто пильним ланцюгом.

2. Тримайте ланцюгову пилу обома руками, завжди тримайте її правою рукою за задню ручку, а лівою – за передню. Якщо ланцюгову пилу тримати у інший спосіб, то це підвищує ризик отримання травм, а отже цього у жодному разі робити не можна.
3. Електроінструмент слід тримати тільки за ізольовані поверхні держака, оскільки ланцюг пили може зачепити сховану електропроводку. Торкання ланцюгом пили струмоведучої проводки може призвести до передання напруги до оголених металевих частин електроінструмента та до ураження оператора електричним струмом.
4. Слід одягати засоби захисту органів зору та слуху. Також рекомендується використовувати засоби захисту голови, рук, ніг та ступнів. Належний захисний одяг знижує кількість травм від сміття. Що розлітається, або від випадкового контакту з пильним ланцюгом.
5. Завжди твердо стійте на ногах. Слизькі або нестійкі поверхні можуть спричинити втрату рівноваги або контролю над ланцюговою пилою.
6. Під час різання гілки, що перебуває під натягом, слід стежити за безпекою. Коли натяг волокон деревини знімається, натягнута гілка може вдарити оператора та/або призвести до втрати контролю над ланцюговою пилою.
7. Слід бути дуже обережним під час обрізання кущів та порослі. Гнучкі гілки можуть бути затягнені в пильний ланцюг та їх може потягнути у напрямку до оператора, або оператора може потягнути, і він втратить рівновагу.
8. Ланцюгову пилу слід переносити за передню ручку у вимкненому стані, відвернувши її від тіла. Під час перевезення або зберігання пили на неї слід завжди встановлювати кожух для шини. Вірне поводження із ланцюговою пилою знизить вірогідність випадкового контакту із пильним ланцюгом, що рухається.
9. Виконуйте вимоги інструкції щодо змащування, натягу ланцюга та заміни приналежностей. Невірно натягнута або змащена пила може або зламатися, або буде підвищено ризик віддачі.
10. Ручки повинні бути сухими, чистими та не бути забрудненими мастилом або жиром. Жирні або забруднені мастилом ручки є слизькими, що призводить до втрати контролю над інструментом.
11. Можна різати тільки деревину. Пильний ланцюг слід застосовувати тільки за їх призначенням. Наприклад: Заборонено використовувати ланцюгову пилу для різання пластика або не дерев'яні будівельні матеріали. Використання ланцюгової пили не за призначенням може призвести до створення небезпечної ситуації.
12. Причини та заходи запобігання віддачі: Якщо кінець шини торкається якогось предмета, або коли дерев'яна деталь закривається та захищає ланцюг в пропили, може трапитися віддача. Торкання кінцем у деяких випадках може призвести до раптової зворотної реакції, коли шину буде підкинуто догори та назад в напрямку оператора.

Затискання пильного ланцюга у верхній частині шини може призвести до різкого штовхання шини в напрямку оператора.

Будь-яка з цих реакцій може призвести до втрати контролю над пилою, що в свою чергу може призвести до серйозних травм. Не слід суцільно покладатись на засоби безпеки, встановлені на пилі. Як користувач ланцюгової пили, ви повинні вжити декілька заходів, щоб захиститись від нещасних випадків або поранень під час пиляння.

Причинами віддачі є неправильне користування інструментом та/або неправильний порядок експлуатації або умови експлуатації, але їх можна уникнути дотримуючись запобіжних заходів, що наведені нижче:

— **Слід міцно тримати інструмент обома руками таким чином, щоб великий палець та інші пальці руки обгортати ручки ланцюгової пили, та розташувати своє тіло та руки так, щоб була можливість утриматись у разі віддачі.** Силу віддачі може контролювати користувач, за умови, що було вжито належних запобіжних заходів. Заборонено відпускати ланцюгову пилу.

► Рис.1

— **Ніколи не слід тягнутися інструментом до робочої деталі та різати вище рівня плеча.** Дотримання цих правил допоможе уникнути непередбачуваного контакту з ріжучою частиною пили та дозволить краще контролювати ланцюгову пилу у непередбачуваних ситуаціях.

— **Використовувати слід тільки запасні шини та ланцюги, вказані виробником.** Використання невідповідних запасних шин та ланцюгів може призвести до поломки ланцюга та/або віддачі.

— **Слід дотримуватись інструкцій виробника щодо заточування та обслуговування пили.** Зменшення висоти калібру глибини може призвести до посилення віддачі.

13. Перед початком роботи, перевірте належну працездатність ланцюгової пили та, чи відповідає її стан правилам техніки безпеки. А саме слід перевірити чи:

- Належним чином працює ланцюгове гальмо;
- Належним чином працює інерційне гальмо;
- Правильно встановлені шина та кришка зірочки;
- Ланцюг загострена та затягнута згідно з правилами;

14. **Не запускайте ланцюгову пилу зі встановленою кришкою ланцюга.** Якщо запустити ланцюгову пилу зі встановленою кришкою ланцюга, остання може бути відкинута вперед – це може призвести до травм або до пошкодження предметів навколо оператора.

Попередження про необхідну обережність під час роботи з ланцюговою пилою із верхньою ручкою

1. Ця ланцюгова пила розроблена спеціально для обрізання дерев та догляду за ними. Ланцюгову пилу дозволяється використовувати тільки спеціально навченим особам. Слід дотримуватись усіх інструкцій, процедур та рекомендацій, виданих відповідними професійними організаціями. Недотримання вимог може призвести до нещасних випадків із смертельними наслідками. Для обрізання дерев рекомендується завжди використовувати підйомну платформу (підйомну люльку, підйомний пристрій). Застосування методик підйому та спуску на канаті є дуже небезпечним і вимагає спеціальної підготовки. Оператори повинні пройти спеціальну підготовку для ознайомлення з правилами безпечного використання інструмента і з технікою підйому на висоту й спуску з неї. Під час роботи на деревах слід завжди використовувати відповідні пояси, мотузки та карабіни. Слід завжди використовувати засоби страхування як оператора, так і пили.
2. Перед тим як покласти інструмент на зберігання, необхідно його почистити та провести роботи з технічного обслуговування згідно з інструкцією з експлуатації.
3. Слід забезпечувати безпечне розташування ланцюгової пили під час перевезення в автомобілі, щоб запобігти розливу пального або мастила для ланцюга, пошкодженню інструмента та отриманню травм.
4. Регулярно перевіряйте, чи належним чином працює гальмо ланцюга.
5. Ніколи не заливайте мастило для ланцюга поблизу відкритого вогню. Ніколи не паліть під час заливання мастила для ланцюга.
6. Використання ланцюгової пили може бути обмежене нормами національного законодавства.
7. Якщо інструмент зазнав серйозного механічного впливу або впад, перш ніж продовжувати роботу, слід перевірити його стан. Перевірте належне функціонування усіх важелів керування та засобів безпеки. Якщо Ви виявили пошкодження або якщо у Вас виникли будь-які сумніви, зверніться до нашого авторизованого сервісного центру для проведення огляду інструмента та його ремонту.
8. Перед тим як запустити ланцюгову пилу, завжди активуйте гальмо ланцюга.
9. Під час роботи тримайте пилу міцно, щоб запобігти ковзанню або підскакуванню пили на початку різання.
10. Наприкінці різання будьте обережними та беріть рівновагу, щоб не втратити її через різке опускання інструмента.
11. Беріть до уваги напрямки та швидкість вітру. Уникайте тирси та мастильного туману.

Засоби захисту

1. Для запобігання травмам голови, очей, рук або ніг, а також для захисту органів слуху під час роботи з ланцюговою пилою слід використовувати такі засоби захисту:
 - Також слід надягати відповідний одяг, який повинен щільно облягати та не створювати перешкод. Заборонено надягати біжуретю або одяг, який може заплутатись у гілках або кущах. Якщо Ви маєте довге волосся, завжди надягайте сітку для волосся!
 - Під час роботи з ланцюговою пилою завжди надягайте захисний шолом. **Захисний шолом** необхідно регулярно перевіряти на наявність пошкоджень та замінювати не рідше ніж кожні 5 років. Користуйтеся тільки рекомендованими захисними шоломами.
 - **Щиток для обличчя** на захисному шоломі (або захисні окуляри) захищають від тирси і тріски. Під час роботи з ланцюговою пилою завжди надягайте захисні окуляри або щиток для обличчя для запобігання травмам очей.
 - Надягайте відповідні **засоби захисту від шуму** (навушники, вушні втулки тощо).
 - **Захисна куртка** зроблена з 22 шарів нейлону та захищає оператора від порізів. Її слід завжди надягати під час роботи з підйомних платформ (підйомної люльки, підйомного пристрою), з платформ, установлених на драбинах, або під час роботи на канатній підвісі.
 - **Захисний ремінь та захисний нагрудник** зроблені з 22 шарів нейлону та захищають від порізів. Ми наполегливо рекомендуємо їх використовувати.
 - **Захисні рукавиці** зроблені з товстої шкіри та є частиною рекомендованого обладнання, їх слід завжди надягати під час роботи з ланцюговою пилою.
 - Під час роботи з ланцюговою пилою завжди надягайте **захисні туфлі** або **захисні черевики** із неслизькою підшоивою, металевим ковпачком на пальцях та захистом для ніг. Захисні туфлі, що мають захисний шар, захищають від порізів та забезпечують надійну опору на ноги. У разі роботи на деревах захисні черевики повинні підходити для виконання підйому та спуску.

Вібрація

1. Особи, які мають поганий кровообіг та постійно стикаються з сильною вібрацією, можуть здобути порушення кровоносних судин або нервової системи. Вібрація може спричинити наведені нижче симптоми з боку пальців, рук або зап'ясть: "засинання" (оніміння), пощипування, біль, гострий біль, зміна кольору шкіри або її структури. **У разі появи будь-якого з цих симптомів необхідно звернутися по допомогу до лікаря!** Щоб зменшити ризик отримання синдрому білих пальців, слід тримати інструмент і приладдя у належному стані та дбати про те, щоб під час роботи руки залишалися теплими.

ЗБЕРІГАЙТЕ ЦІ ВКАЗІВКИ.

▲ПОПЕРЕДЖЕННЯ: НИКОЛИ НЕ СЛІД втрачати пильності та розслаблюватися під час користування виробом (що трапляється при частому використанні); слід завжди строго дотримуватися правил безпеки під час використання цього пристрою. **НЕНАЛЕЖНЕ ВИКОРИСТАННЯ** або недотримання правил безпеки, викладених в цьому документі, може призвести до серйозних травм.

ВАЖЛИВІ ІНСТРУКЦІЇ БЕЗПЕКИ

ДЛЯ КАСЕТИ АКУМУЛЯТОРА

1. Перед тим як користуватися касетою акумулятора, слід прочитати усі інструкції та попереджувачі відмітки щодо (1) зарядний пристрій акумулятора, (2) акумулятор та (3) виробу, що працюють від акумулятора.
2. Не слід розбирати касету акумулятора.
3. Якщо період роботи дуже покоротшав, слід негайно припинити користування. Це може призвести до ризику перегріву, опіку та навіть вибуху.
4. Якщо електроліт потрапив до очей, слід промити їх чистою водою та негайно звернутися за медичного закладу. Це може призвести до втрати зору.
5. Не закоротіть касету акумулятора.
 - (1) Не слід торкатися клем будь яким струмопровідним матеріалом.
 - (2) Не слід зберігати касету акумулятора в смності з іншими металевими предметами, такими як цвяхи, монети і т.д.
 - (3) Не виставляйте касету з батареєю під дощ чи сніг.Коротке замикання може призвести до появи значного струму, перегріву та можливі опікам та навіть поломки.
6. Не слід зберігати інструмент та касету з акумулятором в містах, де температура може сягнути та перевищити 50гр.°C (122°F).
7. Не слід спалювати касету з акумулятором навіть, якщо вона була неодноразово пошкоджена або повністю спрацьована. Касета з акумулятором може вибухнути в огні.
8. Не слід кидати або ударяти акумулятор.
9. Не слід використовувати пошкоджений акумулятор.
10. Дотримуйтеся норм місцевого законодавства стосовно утилізації акумуляторів.

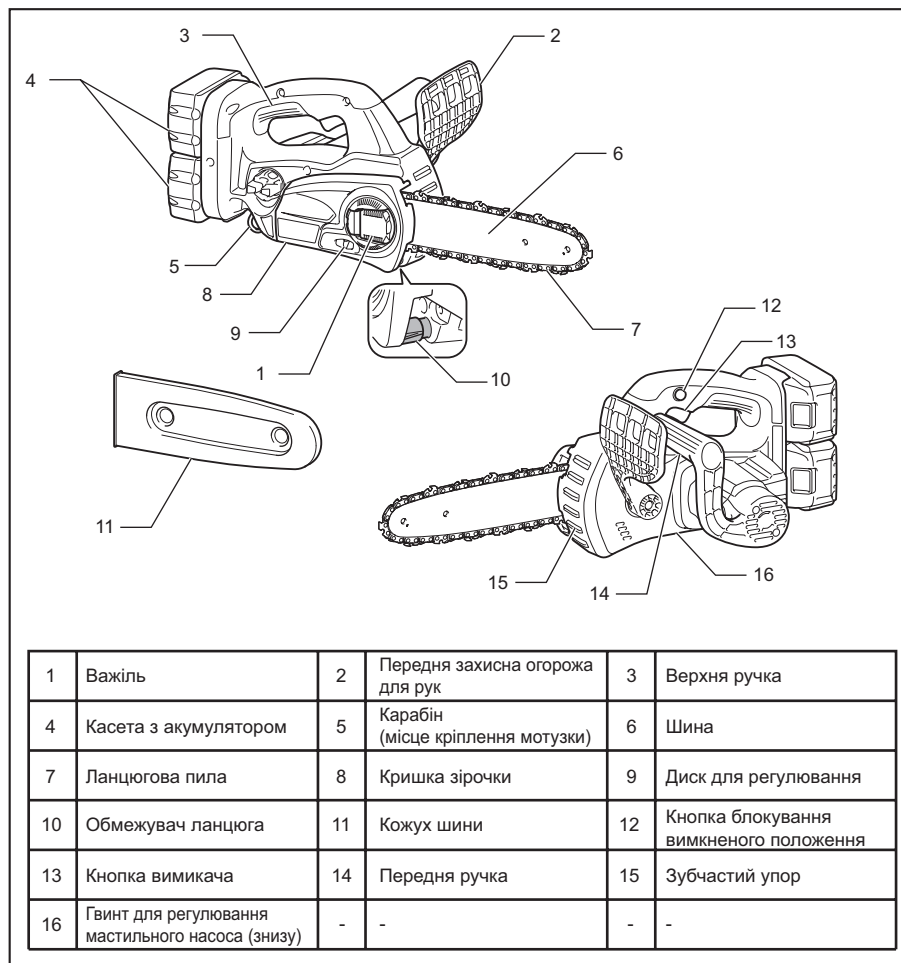
ЗБЕРІГАЙТЕ ЦІ ВКАЗІВКИ.

Поради по забезпеченню максимального строку експлуатації акумулятора

1. Касету з акумулятором слід заряджати до того, як він розрядиться повністю. Завжди слід зупинити роботу інструменту та зарядити акумулятор, якщо ви помітили зменшення потужності інструменту.

2. Ніколи не слід заряджати повторно повністю заряджену касету з акумулятором. Перезарядження скорочує строк експлуатації акумулятора.
3. Касету з акумулятором слід заряджати при кімнатній температурі 10°C - 40°C (50°F - 104°F). Перед тим як заряджати касету з акумулятором слід зачекати доки вона охолоне.
4. Заряджайте касету з акумулятором кожні шість місяців, якщо не використовуєте її протягом тривалого часу.

ОПИС ДЕТАЛЕЙ



ІНСТРУКЦІЯ З ВИКОРИСТАННЯ

⚠ ОБЕРЕЖНО:

- Завжди перевіряйте, щоб прилад був вимкнений, а касета з акумулятором була знята, перед регулюванням або перевіркою функціонування інструмента.

Встановлення та зняття касети з акумулятором

► **Рис.2:** 1. Червоний індикатор 2. Кнопка 3. Касета з акумулятором

⚠ ОБЕРЕЖНО:

- Завжди вимикайте інструмент перед встановленням або зніманням касети з акумулятором.
- Під час встановлення або зняття касети з акумулятором надійно утримуйте інструмент і касету з акумулятором. Інакше інструмент або касета з акумулятором можуть вислизнути з рук, що може призвести до травм або пошкодження інструмента й касети з акумулятором.

Щоб зняти касету з акумулятором, слід витягнути її з інструмента, натиснувши на кнопку в передній частині касети.

Щоб установити касету з акумулятором, слід сумістити шпонку касети з акумулятором із пазом у корпусі та вставити касету на місце. Уставляйте її, доки не почуєте клацання. Якщо на верхній частині кнопки видно червоний індикатор, це означає, що вона заблокована не повністю.

⚠ ОБЕРЕЖНО:

- Завжди уставляйте касету повністю, аж поки червоний індикатор стане невидимим. Якщо цього не зробити, касета може випадково випасти з інструмента та завдати травми вам або людям, що знаходяться поруч.
- Не встановлюйте касету з акумулятором із зусиллям. Якщо касета не вставляється легко, то це означає, що Ви її невірно вставляєте.

ПРИМІТКА:

- Інструмент не працює тільки з однією касетою з акумулятором.

Система захисту інструмента/акумулятора

Інструмент оснащено системою захисту інструмента/акумулятора. Ця система автоматично вимикає живлення двигуна з метою збільшення терміну служби інструмента та акумулятора.

Інструмент автоматично вимикається під час роботи, якщо він або акумулятор перебувають у зазначених нижче умовах. Під час перебування в певних умовах загоряються індикатори.

Захист від перевантаження

Якщо інструмент використовується в умовах надмірного споживання струму, він автоматично вимикається без будь-якого попередження. У такому випадку вимкніть інструмент і зупиніть роботу, під час виконання якої інструмент зазнав перевантаження. Щоб перезапустити інструмент, увімкніть його знову.

Захист акумулятора/інструмента від перегріву

У разі перегріву акумулятора/інструмента інструмент зупиняється автоматично без будь-якого попередження. Інструмент не запускається навіть натисканням на курок вмикача. У такому разі дозвольте акумулятору/інструменту охолонути, перш ніж знову увімкнути інструмент.

ПРИМІТКА: Захист акумулятора від перегріву працює тільки у тому випадку, якщо використовується касета з акумулятором із символом зірочки.

► **Рис.3:** 1. Маркувальна зірочка

Захист від надмірного розрядження

► **Рис.4:** 1. Індикатор акумулятора

Коли потужність акумулятора знижується, на боці відповідного акумулятора починає мигати індикатор заряду акумулятора. Перед тим як інструмент можна буде знову використовувати, інструмент вимикається і індикатор заряду акумулятора горить приблизно 10 секунд. У такому разі необхідно зарядити касету з акумулятором.

Відображення залишкового заряду акумулятора

Тільки для касет з акумулятором, які мають індикатор

► **Рис.5:** 1. Індикаторні лампи 2. Кнопка перевірки

Натисніть кнопку перевірки на касеті з акумулятором для відображення залишкового ресурсу акумулятора. Індикаторні лампи загоряються на кілька секунд.

Індикаторні лампи			Залишковий ресурс
Горить	Вимк.	Блимає	
■	■	■	від 75 до 100%
■	■	□	від 50 до 75%
■	□	□	від 25 до 50%
■	□	□	від 0 до 25%
▬	□	□	Зарядіть акумулятор.
■	■	□	Можливо, акумулятор вийшов з ладу.
□	□	■	

ПРИМІТКА: Залежно від умов використання та температури оточуючого середовища показання можуть незначним чином відрізнитися від дійсного ресурсу.

Дія вимикача

⚠ ОБЕРЕЖНО:

- Перед тим як вставляти касету з акумулятором в інструмент, слід перевірити належну роботу курка вмикача, тобто щоб він повертався у положення "ВИМК.", коли його відпускають.

► **Рис.6:** 1. Кнопка блокування вимкненого положення 2. Курковий вмикач

Для того, щоб запобігти випадковому натисканню курка вмикача, є кнопка блокування вимкненого положення. Для того, щоб запустити інструмент, слід натиснути на кнопку блокування вимкненого положення та натиснути на курок вмикача. Для зупинення роботи курок слід відпустити.

Перевірка гальма ланцюга

ПРИМІТКА:

- Якщо ланцюгова пила не запускається, слід відпустити гальмо ланцюга. Сильно потягніть передню захисну огорожу для рук назад, доки не відчуєте зачеплення.

При увімкненні ланцюгової пили завжди тримайте її обома руками. Тримайтеся за верхню ручку правою рукою та лівою рукою – за передню ручку. Ані шина, ані ланцюг не повинні торкатись будь-яких предметів. Спочатку натисніть кнопку блокування вимкненого положення, а потім натисніть на курок вмикача. Пила одразу ж запуститься.

► **Рис.7:** 1. Передня захисна огорожа для рук 2. Блокувати 3. Розблокувати

Тильною стороною руки натисніть на передню огорожу для рук. Ланцюгова пила має негайно зупинитися.

⚠ ОБЕРЕЖНО:

- Якщо пила одразу ж не зупинилась під час цього випробування, то її неможна використовувати за будь-яких обставин. Зверніться до спеціалізованої ремонтної майстерні MAKITA.

Перевірка інерційного гальма

Запустіть пилу.

Повністю відпустіть курок вмикача. Пила повинна зупинитись протягом однієї секунди.

⚠ ОБЕРЕЖНО:

- Якщо пила не зупинилась протягом секунди під час цього випробування, то її неможна використовувати. Зверніться до спеціалізованої ремонтної майстерні MAKITA.

Регулювання змашування ланцюга

► **Рис.8:** 1. Гвинт регулювання

Продуктивність мастильного насоса можна регулювати за допомогою гвинта для регулювання. Кількість мастила можна регулювати за допомогою універсального ключа.

Карабін (місце закріплення троса)

► Рис.9

Карабін (місце закріплення троса) призначений для підвищення інструмента. Перед використанням карабіна його слід витягнути та прив'язати до нього трос.

КОМПЛЕКТУВАННЯ

⚠ ОБЕРЕЖНО:

- Завжди перевіряйте, щоб прилад був вимкнений, а касета з акумулятором була знята, перед тим, як проводити будь-які роботи на інструменті.

Знімання або встановлення пиляльного ланцюга

⚠ ОБЕРЕЖНО:

- Під час встановлення або зняття пильного ланцюга на руки повинні бути вдягнені рукавиці.
- Після роботи пиляльний ланцюг та шина є все ще гарячими. Дозвольте їм достатньо охолонути перед виконанням будь-яких робіт на інструменті.

Щоб зняти пиляльний ланцюг, виконайте такі дії:

1. Натисніть і повністю відкрийте важіль до упору.

► **Рис.10:** 1. Кришка зірочки 2. Важіль

2. Поверніть диск регулювання у положення "-", щоб послабити натяг пиляльного ланцюга.

► **Рис.11:** 1. Диск для регулювання

3. Поверніть важіль проти годинникової стрілки, щоб послабити кришку зірочки таким чином, щоб її можна було зняти.

4. Зніміть кришку зірочки.

5. Зніміть пильний ланцюг та шину з пили.

Щоб установити пиляльний ланцюг, виконайте такі дії:

6. Перевірте напрям ланцюга. Стрілка на ланцюгу вказує напрям ланцюга.

► **Рис.12:** 1. Зірочка

7. Закріпіть один кінець пиляльного ланцюга у верхній частині шини, а інший кінець – навколо зірочки.

8. Встановіть шину на своє місце на пилі.

9. Поверніть диск регулювання у напрямку "-", щоб просунути установочну шпильку у напрямку, вказаному стрілкою.

► **Рис.13:** 1. Регулююча шпилька

10. Помістіть кришку зірочки на ланцюгову пилу таким чином, щоб установочна шпилька опинилася у маленькому отворі в шині.

► **Рис.14:** 1. Отвір 2. Шина

11. Поверніть важіль повністю за годинниковою стрілкою, після чого поверніть його на чверть назад, щоб зберегти послаблення для регулювання натягу ланцюга.

- Поверніть диск регулювання і відрегулюйте натяг ланцюга.
 - Поверніть важіль за годинниковою стрілкою, щоб затягнути кришку зірочки.
- **Рис.15:** 1. Кришка зірочки 2. Важіль
- Натисніть та поверніть важіль у початкове положення.

Регулювання натягу пильного ланцюга

Після багатьох годин роботи пильний ланцюг може послабитись. Слід періодично перевіряти натяг пильного ланцюга перед використанням.

- Натисніть і повністю відкрийте важіль, поки не почує клацання. Трохи поверніть його проти годинникової стрілки, щоб злегка послабити кришку зірочки.

► **Рис.16:** 1. Кришка зірочки 2. Важіль

- Трохи підніміть кінець шини.

► **Рис.17:** 1. Послабити 2. Затягнути 3. Диск для регулювання 4. Шина 5. Ланцюгова пила

- Поверніть диск регулювання, щоб відрегулювати натяг пиляльного ланцюга. Затягніть пиляльний ланцюг таким чином, щоб нижня сторона пиляльного ланцюга увійшла в напрямку шини (див. кружечок на малюнку).
- Утримуючи злегка шину, після проведення регулювання натягу ланцюга затягніть кришку зірочки. Переконайтеся, що пиляльний ланцюг з нижньої сторони шини затягнутий не слабко.
- Натисніть та поверніть важіль у початкове положення.

► **Рис.18:** 1. Кришка зірочки 2. Важіль

Переконайтеся, що пиляльний ланцюг щільно входить до нижньої сторони шини.

⚠ОБЕРЕЖНО:

- Не затягуйте пиляльний ланцюг занадто сильно. Надмірний натяг пиляльного ланцюга може призвести до розриву пиляльного ланцюга, зносу шини та до пошкодження диска регулювання.
- Слабко натягнутий ланцюг може зіскочити з шини, тим самим створюючи ризик виникнення нещасного випадку.
- Установлювати та знімати пиляльний ланцюг слід у чистому місці, вільному від тирси і подібного сміття.

Зубчастий упор (додаткове приладдя)

► **Рис.19**

Щоб установити зубчастий упор, виконайте такі дії:

- Зніміть кришку зірочки, пиляльний ланцюг та шину, як описано в цій інструкції з експлуатації.
- Установіть зубчастий упор зубцями назовні, сумістивши його отвори з отворами на ланцюговій пилі.
- Закріпіть зубчастий упор за допомогою двох гвинтів із комплекту, затягнувши їх належним чином.

ЗАСТОСУВАННЯ

⚠ОБЕРЕЖНО: Не закривайте вентиляційні отвори, оскільки це може призвести до перегрівання інструмента та до його пошкодження.

Змащування

- **Рис.20:** 1. Кришечка мастильного бака
2. Оглядове вікно (для повторного заповнення баку мастилом) 3. Оглядове вікно мастильного бака

Пильний ланцюг автоматично змащується під час роботи інструмента.

Перевірте кількість мастила в мастильному баку, поглянувши в оглядове вікно.

Для того щоб залити мастило в бак, зніміть кришку з горловини мастильного бака.

Після заправки бака слід завжди загвинчувати кришку мастильного бака на ланцюговій пилі.

⚠ОБЕРЕЖНО:

- Під час першого заливання мастила для пильного ланцюга або під час заправки пустого бака, мастило слід заливати до рівня нижньої частини заливної горловини. Інакше постачання мастила може бути утрудненим.
- У якості мастила для ланцюга слід використовувати тільки мастило Makita для ланцюгових пил, що продається на ринку.
- Заборонено використовувати мастило, що містить частки пилу або летуче мастило.
- Під час обрізання дерев слід використовувати ботанічне мастило. Мінеральне мастило може пошкодити дерева.
- Заборонено натискати на ланцюгову пилу із силою під час обрізання дерев.
- Перед тим, як щось вирізати, слід перевірити, щоб було належним загвинчено кришку мастильного бака.

► **Рис.21**

Слід тримати пилу на відстані від дерева. Запустіть її та заждіть. Доки пильний ланцюг буде достатньо змащений. Перед тим як вмикати пилу, підведіть зубчастий упор до гілки, що різатиметься. Недотримання цієї вимоги може призвести до коливання шини, що може завдати травми оператору. Дерево слід пиляти пересуваючи пилу додолу.

РОБОТА З ЛАНЦЮГОВОЮ ПИЛОЮ

Підрізування дерев

► **Рис.22:** 1. Зубчастий упор

⚠ОБЕРЕЖНО:

- Коли працює мотор, слід забрати усі частини тіла від пильного ланцюга.
- Коли працює мотор, слід міцно тримати ланцюгову пилу обома руками.
- Не слід тягнутись занадто далеко. Слід завжди твердо стояти на ногах та тримати рівновагу.

Перед тим як вмикати пилу, підведіть зубчастий упор до гілки, що різатиметься. Різання без підведення зубчастого упору до гілки може спричинити коливання шини, що може призвести до травмування оператора.

► **Рис.23**

Під час різання товстих гілок, спочатку слід зробити неглибокий надріз знизу гілки, а потім остаточно відрізати гілку зверху.

► **Рис.24**

Якщо намагаться різати товсті гілки знизу, то гілка може опуститись та затиснути в розрізі пильний ланцюг. Якщо гілку різати зверху, не зробивши неглибокий надріз знизу, то гілка може розщепитись.

► **Рис.25**

Якщо дерево розрізати за один прохід неможливо: трохи натисніть на ручку та продовжуйте пиляти й відтягніть пилу трохи назад; потім встановить шип нижче та закінчіть різання піднімаючи ручку.

Перенесення верстата

► **Рис.26:** 1. Кожух шини 2. Кришка акумулятора

Перед тим як переносити інструмент, слід завжди знімати з інструмента касету з акумулятором, а шину закрити кожухом шини. Касету з акумулятором слід також закрити кришкою.

ТЕХНІЧНЕ ОБСЛУГОВУВАННЯ

⚠ **ОБЕРЕЖНО:**

- Завжди перевіряйте, щоб прилад був вимкнений, а касета з акумулятором була знята, перед проведенням перевірки або обслуговування.
- Під час перевірки або обслуговування слід бути у захисних рукавицях.
- Ніколи не використовуйте газолін, бензин, розріджувач, спирт та подібні речовини. Їх використання може призвести до зміни кольору, деформації та появи тріщин.

Заточка ланцюгової пили

⚠ **ОБЕРЕЖНО:**

- При виконанні робіт на ланцюговій пилі з неї слід завжди знімати касету з акумулятором та вдягати захисні рукавиці.

► **Рис.27**

Пильний ланцюг слід заточити, коли:

- Під час пиляння сирого дерева утворюється борошніста тирса;
- Ланцюг входить в дерево на силу, навіть якщо на пилу натиснути;
- Ріжуча кромка явно пошкоджена;
- Пилу в дереві тягне вправо або вліво. Причина такої поведінки - нерівномірна заточка пильного ланцюга або пошкодження однієї сторони.

Слід часто заточувати пилу, але при цьому кожного разу слід сточувати небагато металу.

Для повсякденного заточування зазвичай вистачає двох або трьох проходів напилком. Після того, як ланцюгову пилу було заточено декілька разів, її слід заточити в спеціалізованій майстерні MAKITA.

Критерії заточки:

- Довжина всіх зубців повинна бути однаковою. Якщо зубці будуть різної довжини, це заважатиме належній роботі ланцюга і може призвести до його поломки.
 - Якщо було досягнуто мінімальну довжину різача 3 мм, більше ланцюг заточувати неможна. Треба встановити новий ланцюг.
 - Товщина шіпки визначається відстанню між глибиноміром (круглим носиком) та ріжучою кромкою.
 - Найліпші результати пиляння забезпечуються, коли відстань між ріжучою кромкою та глибиноміром є такою.
 - Полотно ланцюга 90PX: 0,5 мм
 - Полотно ланцюга 91PX: 0,65 мм
 - Полотно ланцюга 25AP: 0,65 мм
- **Рис.28:** 1. Довжина різання 2. Відстань між ріжучою кромкою і обмежувачем глибини
3. Мінімум 3 мм

⚠ **ПОПЕРЕДЖЕННЯ:**

- Занадто велика відстань збільшує ризик віддачі.
 - Кут заточки усіх зубців повинен бути 30°. Якщо кут заточки зубців неоднаковий, це призводить до нерівномірної та ускладненої роботи ланцюга, що прискорює його знос та призводить до його поломки.
 - Кут бокової пластини зубця визначається глибиною проникнення круглого напилка. Якщо спеціальний напилек використовується належним чином, правильний кут бокової пластини зубця буде забезпечуватись автоматично.
 - Кут бокової пластини зубця для кожного пиляльного ланцюга такий:
 - Полотно ланцюга 90PX: 75°
 - Полотно ланцюга 91PX: 80°
 - Полотно ланцюга 25AP: 85°
- **Рис.29:** 1. Кут бокової пластини зубця

Напилек та направлення напилка

- Для заточки ланцюга слід використовувати спеціальний круглий напилек для пиляльних ланцюгів (додаткове приладдя). Звичайні круглі напилки не підходять.
- Діаметр круглого напилка для кожного пиляльного ланцюга такий:
 - Полотно ланцюга 90PX: 4,5 мм
 - Полотно ланцюга 91PX: 4,0 мм
 - Полотно ланцюга 25AP: 4,0 мм
- Напилек повинен обробляти зубець тільки під час руху уперед. Під час зворотного руху напилек слід піднімати над зубцем.

- Спочатку слід заточити найкоротший зубець. Потім довжина цього найкоротшого зубця стає стандартом для всіх інших зубців на пиляль-ному ланцюзі.

► **Рис.30**

- Направляйте напилек як показано на малюнку.
- Напилек легше направляти, якщо використо-вувати держак для напилка (додаткова при-належність). На держак для напилка є мітки вірного кута заточки 30 ° (слід виставити мітки паралельно пильному ланцюгу), та віт також обмежує глибину проникнення (на 4/5 діаметра напилка).

► **Рис.31**

- Після заточки ланцюга слід перевірити висоту глибиноміра, використовуючи шуп для пиль-ного ланцюга (додаткова приналежність).

► **Рис.32**

- Слід видалити матеріал, що виступає, однак це слід робити за допомогою спеціального плас-кого напилка (додаткова приналежність).
- Ще раз закругліть передню частину глибиноміра.

Чищення шини

► **Рис.33**

Друзки та тирса накопичуються в пазу шини, заби-ваючи її та блокуючи потік мастила. Під час заточки або заміни пильного ланцюга слід завжди вичищати тирсу та друзки.

Чищення отвору злива мастила

Протягом роботи в отворі злива мастила може нако-пичитись дрібний пил або частки.

Дрібний пил або частки, що накопичуються в отворі злива мастила, можуть перешкоджати постачанню мастила та призвести до недостатнього змащення всього ланцюга пили.

У разі недостатнього постачання мастила у верхню частину шини слід очистити отвір злива мастила наступним чином.

Зніміть касету з батареєю з інструмента.

Зніміть кришку зірочки та пильний ланцюг з інстру-мента. (Див. розділ "Встановлення та зняття пиль-ного ланцюга".)

► **Рис.34:** 1. Шліцьова викрутка

Видаляйте дрібний пил або частки за допомогою викрутки із шліцьовим наконечником та тонким стрижнем або за допомогою подібного предмета.

Вставте касету з акумулятором в інструмент.

Натисніть на курок вмикача для того, щоб змити накопичений пил шляхом упорскування мастила для ланцюга.

Зніміть касету з батареєю з інструмента.

Встановіть на місце кришку зірочки та пильний ланцюг.

Заміна зірочки

► **Рис.35:** 1. Зірочка 2. Стопорне кільце

Перед тим, як встановлювати новий ланцюг, слід перевірити стан зірочки.

⚠ОБЕРЕЖНО:

- Зношена зірочка може спричинити пошко-дження нового пиляльного ланцюга. У такому випадку зірочку необхідно замінити. Зірочку слід установлювати таким чином, щоб її лицьова сторона завжди була розташована, як вказано на малюнку.

► **Рис.36:** 1. Стопорне кільце 2. Зірочка

У разі заміни зірочки слід завжди замінювати сто-порне кільце.

Заміна вугільних щіток

► **Рис.37:** 1. Обмежувальна відмітка

Регулярно знімайте та перевіряйте вугільні щітки.

Замінійте їх, коли знос сягає граничної відмітки.

Вугільні щітки повинні бути чистими та вільно руха-тись у щіткотримачах. Одночасно треба замінювати обидві вугільні щітки. Використовуйте лише однакові вугільні щітки.

► **Рис.38:** 1. Ковпачок щіткотримача 2. Викрутка

Для виймання ковпачків щіткотримачів користуйтеся викруткою. Видаліть зношені вугільні щітки, вставте нові та закріпіть ковпачки щіткотримачів.

Зберігання інструмента

Перед зберіганням інструмент треба вичистити.

Після зняття кришки зірочки з інструмента необ-хідно видалити всі щіпки та тирсу. Після чищення інструмента йому слід дати попрацювати без наван-таження для того, щоб змастити пильний ланцюг та шину.

Закрийте шину кожухом шини.

Видаліть мастило з мастильного баку, щоб спорож-нити його, та покладіть ланцюгову пилу.

Для того, щоб підтримувати БЕЗПЕКУ та

НАДІЙНІСТЬ, ремонт, технічне обслуговування або регулювання мають виконувати уповноважені цен-три обслуговування "Макіта", де використовуються лише стандартні запчастини "Макіта".

Інструкції щодо періодичного обслуговування

Для забезпечення тривалого терміну служби, попередження пошкодження та гарантування повноцінного функціонування засобів безпеки слід регулярно виконувати такі роботи з технічного обслуговування інструмента.

Претензії в рамках гарантійних зобов'язань приймаються тільки тоді, коли ці роботи регулярно проводились належним чином. Невиконання зазначених робіт із технічного обслуговування може призвести до нещасних випадків!

Користувачу ланцюгової пили не дозволяється проводити роботи з технічного обслуговування, які не зазначені в даній інструкції з експлуатації. Усі такі роботи повинні здійснюватися в авторизованому сервісному центрі.

Час роботи Елемент		Перед початком роботи	Щодня	Щотижня	Кожні 3 місяці	Щороку	Перед зберіганням
Ланцюгова пила	Оглянути.	○					
	Очистити.		○				
	Перевірити в авторизованому сервісному центрі.					○	○
Ланцюгова пила	Оглянути.	○					
	Заточити у разі необхідності.						○
Шина	Оглянути.	○	○				
	Зніміть з ланцюгової пили.						○
Гальма ланцюга	Перевірити функціонування.	○					
	Робити регулярний огляд у сервісному центрі.				○		
Змащування ланцюга	Перевірити рівень постачання мастила.	○					
Кнопка вимикача	Оглянути.	○					
Кнопка блокування вимкненого положення	Оглянути.	○					
Кришечка мастильного бака	Перевірити надійність затягнення.	○					
Обмежувач ланцюга	Оглянути.			○			
Гвинти та гайки	Оглянути.			○			

УСУНЕННЯ НЕСПРАВНОСТЕЙ

Перш ніж віддавати інструмент у ремонт, проведіть перевірку власноруч. Якщо Ви знайшли несправність, яка не пояснюється в цій інструкції, не намагайтеся розібрати інструмент. Замість цього зверніться до авторизованих сервісних центрів Makita та використовуйте тільки запчастини виробництва компанії Makita.

Статус несправності	Причина	Дія
Ланцюгова пила не запускається.	Не встановлені дві касети з акумулятором.	Установіть заряджені касети з акумулятором.
	Проблема з акумулятором (знижена напруга).	Перезарядіть касету з акумулятором. Якщо перезарядження виявилось неефективним, замініть касету з акумулятором.
Ланцюг не рухається.	Гальмо ланцюга активоване.	Відпустіть гальмо ланцюга.
Двигун перестає працювати після короткотривалого використання.	Низький рівень заряду акумулятора.	Перезарядіть касету з акумулятором. Якщо перезарядження виявилось неефективним, замініть касету з акумулятором.
На ланцюзі немає мастила.	Масильний бак порожній.	Заповніть масильний бак.
	Забруднений напрямний жолоб для мастила.	Прочистіть жолоб.
	Постачання мастила не відрегульоване належним чином.	Відрегулюйте кількість постачання мастила.
Він не досягає максимальної швидкості обертання.	Касета з акумулятором встановлена неправильно.	Установіть касету з акумулятором, як зазначено в цій інструкції.
	Заряд акумулятора зменшується.	Перезарядіть касету з акумулятором. Якщо перезарядження виявилось неефективним, замініть касету з акумулятором.
	Система привода працює неправильно.	Зверніться до місцевого авторизованого сервісного центру з приводу ремонту.
Ланцюг не зупиняється, навіть коли гальмо ланцюга активоване: негайно зупиніть пристрій!	Зношена стрічка гальма.	Зверніться до місцевого авторизованого сервісного центру з приводу ремонту.
Незвичайна вібрація: негайно зупиніть інструмент!	Послабте шину або пиляльний ланцюг.	Відрегулюйте шину та натяг пиляльного ланцюга.
	Інструмент несправний.	Зверніться до місцевого авторизованого сервісного центру з приводу ремонту.

ДОДАТКОВЕ ПРИЛАДДЯ

⚠ ОБЕРЕЖНО:

- Це оснащення або приладдя рекомендовано для використання з інструментами "Makita", що описані в інструкції з експлуатації. Використання якогось іншого оснащення або приладдя може спричинити травми. Оснащення або приладдя слід використовувати лише за призначенням.

У разі необхідності, отримати допомогу в більш детальному ознайомленні з оснащенням звертайтеся до місцевого Сервісного центру "Makita".

- Оригінальний акумулятор та заряджаючий пристрій Makita
- Ланцюгова пила
- Шина
- Кожух шини
- Напилек
- Сумка для інструменту

ПРИМІТКА:

- Деякі елементи списку можуть входити до комплекту інструмента як стандартне приладдя. Вони можуть відрізнятися залежно від країни.

SPECYFIKACJE

Model		DUC252		DUC302
Standardowa prowadnica	Długość prowadnicy	250 mm		300 mm
	Długość tnąca	23 cm	24 cm	28 cm
	Typ	Prowadnica gwiazdkowa	Prowadnica carving	Prowadnica gwiazdkowa
Standardowy łańcuch tnący	Typ	91PX	25AP	90PX
	Podziałka	9,5 mm (3/8")	6,35 mm (1/4")	9,5 mm (3/8")
	Przyrząd pomiarowy	1,3 mm (0,05")	1,3 mm (0,05")	1,1mm (0,043")
	Liczba ogniw napędowych	40	60	46
Kolo łańcuchowe	Liczba zębów	6	9	6
	Podziałka	9,5 mm (3/8")	6,35 mm (1/4")	9,5 mm (3/8")
Całkowita długość (bez prowadnicy)		316 mm		
Ciężar netto	*1	4,1 kg		
	*2	4,6 kg		4,7 kg
Prędkość łańcucha na minutę		8,3 m/s (500 m/min)		
Pojemność zbiornika oleju łańcuchowego		85 cm ³		
Napięcie znamionowe		Prąd stały 36 V		Prąd stały 36 V

* W związku ze stałe prowadzonym przez naszą firmę programem badawczo-rozwojowym, niniejsze specyfikacje mogą ulec zmianom bez wcześniejszego powiadomienia.



* W innych krajach urządzenie może mieć odmienne parametry techniczne i może być wyposażone w inny akumulator.



*1 Masa wraz z większym akumulatorem, bez prowadnicy i łańcucha, z opróżnionym zbiornikiem oleju, zgodnie z normą EN ISO 11681-2.

*2 Masa z akumulatorem, prowadnicą i łańcuchem, napełnionym zbiornikiem oleju, zgodnie z Procedurą EPTA 01/2003. **OSTRZEŻENIE!** Stosować odpowiednią kombinację prowadnicy i łańcucha tnącego. W przeciwnym wypadku może to przyczynić się do powstania obrażeń ciała.

Symbole

Poniżej pokazano symbole zastosowane na urządzeniu. Przed użyciem należy zapoznać się z ich znaczeniem.

	Przeczytać instrukcję obsługi.
	Stosuj środki ochrony oczu.
	Stosuj środki ochrony uszu.
	Noś kask, okulary ochronne i ochraniacze na uszy.
	Stosuj odpowiednie środki ochrony stóp i nóg, oraz dłoni i ramion.
	Piła ta może być obsługiwana tylko przez odpowiednio przeszkolonych operatorów.
	Należy chronić przed deszczem.
	Maksymalna dopuszczalna długość cięcia
	Kierunek posuwu łańcucha

	Regulacja smarowania piłarki łańcuchowej
	Ni-MH Li-ion
	Regulacja smarowania piłarki łańcuchowej
	Dotyczy tylko państw UE Nie wyrzucaj urządzeń elektrycznych lub akumulatorów wraz z odpadami z gospodarstwa domowego! Zgodnie z Europejską Dyrektywą w sprawie zużytego sprzętu elektrycznego i elektronicznego oraz dotyczącą akumulatorów i baterii oraz zużytych akumulatorów i baterii, a także dostosowaniem ich do prawa krajowego, zużyte urządzenia elektryczne, baterie i akumulatory, należy składować osobno i przekazywać do zakładu recyklingu działającego zgodnie z przepisami dotyczącymi ochrony środowiska.

Przeznaczenie

Narzędzie to jest przeznaczone do cięcia gałęzi / przycinania drzew. Jest również odpowiednie do usług związanych z obróbką drzew.

Hałas

Typowy równoważny poziom dźwięku A określony w oparciu o EN60745-2-13:

Poziomy ciśnienia akustycznego (L_{pA}): 84,4 dB (A)

Poziomy mocy akustycznej (L_{WA}): 95,4 dB (A)

Niepewność (K): 2,5 dB (A)

Należy stosować ochraniacze na uszy

Drgania

Całkowita wartość poziomów drgań (suma wektorów w 3 osiach) określona zgodnie z normą EN60745-2-13:

Model DUC252

Tryb pracy: cięcie drewna
Emisja drgań (a_h): 4,7 m/s²
Niepewność (K): 1,5 m/s²

Model DUC302

Tryb pracy: cięcie drewna
Emisja drgań (a_h): 6,3 m/s²
Niepewność (K): 1,5 m/s²

WSKAZÓWKA: Deklarowana wartość wytwarzanych drgań została zmierzona zgodnie ze standardową metodą testową i można ją wykorzystać do porównywania narzędzi.

WSKAZÓWKA: Deklarowaną wartość wytwarzanych drgań można także wykorzystać we wstępnej ocenie narażenia.

⚠️ OSTRZEŻENIE: Drgania wytwarzane podczas rzeczywistego użytkowania elektronarzędzia mogą się różnić od wartości deklarowanej, w zależności od sposobu jego użytkowania.

⚠️ OSTRZEŻENIE: W oparciu o szacowane narażenie w rzeczywistych warunkach użytkowania należy określić środki bezpieczeństwa w celu ochrony operatora (uwzględniając wszystkie elementy cyklu działania, tj. czas, kiedy narzędzie jest włączone i kiedy pracuje na biegu jałowym, a także czas, kiedy jest włączone).

Deklaracja zgodności WE

Dotyczy tylko krajów europejskich

Deklaracja zgodności WE jest dołączona jako załącznik A do niniejszej instrukcji obsługi.

Ogólne zasady bezpieczeństwa obsługi elektronarzędzia

⚠️ OSTRZEŻENIE Przeczytaj wszystkie ostrzeżenia i instrukcje. Nie przestrzeganie ich może prowadzić do porażeń prądem, pożarów i/lub poważnych obrażeń ciała.

Wszystkie ostrzeżenia i instrukcje należy zachować do późniejszego wykorzystania.

Ostrzeżenia dotyczące bezpiecznej eksploatacji bezprzewodowej piły łańcuchowej:

1. **Gdy silnik jest włączony, należy trzymać wszystkie części ciała z dala od łańcucha tnącego. Przed rozpoczęciem pracy z pilarką łańcuchową, należy upewnić się, że łańcuch niczego nie dotyka.** Podczas pracy z taką pilarką chwila nieuwagi może spowodować pochwycenie części ubrania lub ciała.
2. **Podczas trzymania pilarki łańcuchowej oburącz, zawsze prawa ręka powinna spoczywać na tylnym uchwycie, a lewa na przednim.** Trzymanie pilarki łańcuchowej odrotnie zwiększa ryzyko powstania obrażeń ciała i absolutnie nie powinno być praktykowane.

3. **Ponieważ elektronarzędzie może zetknąć się z ukrytymi przewodami elektrycznymi, należy trzymać je tylko za izolowane uchwyty.** Kontakt łańcucha pilarki z przewodem elektrycznym pod napięciem powoduje, że również odsłonięte elementy metalowe narzędzia znajdują się pod napięciem, groząc porażeniem operatora prądem elektrycznym.
4. **Używać okularów ochronnych i ochraniaczy na uszy. Zaleca się używanie dodatkowego wyposażenia chroniącego głowę, ręce, nogi i stopy.** Odpowiednia odzież ochronna obniża ryzyko powstania obrażeń ciała powodowanych odpryskami lub przypadkowym dotknięciem łańcucha.
5. **Należy zawsze stać pewnie.** Śliskie i niestabilne powierzchnie mogą powodować utratę równowagi lub panowania nad pilarką łańcuchową.
6. **Podczas cięcia naprężonych gałęzi należy uważać na ich odskakiwanie do swojego położenia.** Kiedy naprężenie gałęzi zostanie zwolnione, gałąź może uderzyć operatora oraz spowodować utratę kontroli nad pilarką łańcuchową.
7. **Należy bardzo uważać podczas cięcia krzaków i młodych drzewek.** Cienkie gałązki mogą być chwytane przez łańcuch tnący i uderzać Cię, albo pociągać wytrącając Cię z równowagi.
8. **Pilarkę łańcuchową należy przenosić wyłączoną, trzymając ją za uchwyt przedni i z dala od siebie. Podczas transportowania lub przechowywania pilarki łańcuchowej, pokrywa przewodnicy musi być zawsze założona.** Prawidłowe obchodzenie się z pilarką zmniejsza prawdopodobieństwo przypadkowego dotknięcia poruszającego się łańcucha.
9. **Smarowanie, napinanie łańcucha i wymianę osprzętu należy przeprowadzać zgodnie z instrukcjami.** Nieprawidłowo napięty lub nasmarowany łańcuch może się zerwać albo powodować odrzucanie.
10. **Uchwyty powinny być zawsze suche, czyste i wolne od olejów i smarów.** Tłuste uchwyty są śliskie i uniemożliwiają panowanie nad narzędziem.
11. **Dozwolone jest cięcie wyłącznie drewna. Nie używaj tej pilarki niezgodnie z jej przeznaczeniem. Na przykład: nie używaj jej do cięcia tworzyw sztucznych, cegieł i innych materiałów budowlanych innych niż drewno.** Używanie pilarki łańcuchowej do innych, niezgodnych z przeznaczeniem celów może stwarzać niebezpieczne sytuacje.
12. **Przyczyny odrzutu narzędzia i zapobieganie temu zjawisku przez operatora:**
Odrzut może powstawać, kiedy nosek lub końcówka przewodnicy dotyka czegoś, lub kiedy łańcuch zakleszczy się w ciętym drewnie. Kontakt z końcówką przewodnicy może nieraz powodować gwałtowną reakcję wstecz, przez co prowadnica podskoczy do tyłu w kierunku obsługującego. Zakleszczenie się łańcucha u góry przewodnicy może gwałtownie popchnąć przewodnicę w kierunku obsługującego. Każda z tych reakcji może spowodować utratę panowania nad pilarką, co grozi poważnym zranieniem. Nie wolno polegać wyłącznie na urządzeniach zabezpieczających, w które Twoja pilarka jest wyposażona. Użytkownik pilarki łańcuchowej musi podjąć szereg kroków, aby nie dopuszczać do wypadków i obrażeń podczas pracy.

Odrzut jest wynikiem nieprawidłowej eksploatacji narzędzia i/lub niewłaściwych procedur lub warunków jego obsługi. Można go uniknąć podejmując podane poniżej, odpowiednio środki ostrożności:

— **Przez cały czas należy narzędzie mocno trzymać kciukami i palcami, obejmując uchwyt pilarki łańcuchowej i ustawiając się w taki sposób, aby przeciwdziałać siłom odrzutu.** Operator może jednak kontrolować siły odrzutu, jeżeli zostaną podjęte odpowiednie środki ostrożności. Nie dopuszczać do odrzutu pilarki łańcuchowej.

► Rys. 1

- **Nie należy zbyt daleko wyciągać ręki ani ciąć powyżej wysokości barku.** Pomoże to zapobiec przypadkowemu kontaktowi z końcówką i zapewni lepszą kontrolę nad pilarką w nieoczekiwanych sytuacjach.
 - **Należy stosować zamienne miecze i łańcuchy określone przez producenta.** Niewłaściwe miecze i łańcuchy zamienne mogą spowodować zerwanie łańcucha i/lub odrzucenie urządzenia.
 - **Należy przestrzegać instrukcji producenta dotyczących ostrzenia i konserwacji pilarki łańcuchowej.** Zmniejszenie wysokości ogranicznika głębokości cięcia może powodować silne odrzuty.
13. Przed przystąpieniem do pracy należy sprawdzić, czy pilarka łańcuchowa jest sprawna i czy jej stan jest zgodny z przepisami dotyczącymi bezpieczeństwa. W szczególności sprawdzić, czy:
- Hamulec łańcucha działa prawidłowo;
 - Hamulec bezwładnościowy działa prawidłowo;
 - Prowadnica i pokrywa koła łańcuchowego są prawidłowo zamontowane;
 - Łańcuch został naostrzony i naciągnięty zgodnie z przepisami;
14. **Nie uruchamiać pilarki łańcuchowej, jeżeli jest na niej zamontowana osłona łańcucha.** Uruchomienie pilarki łańcuchowej z zamontowaną osłoną łańcucha może spowodować wyrzucenie osłony do przodu, a tym samym zranienie operatora lub zniszczenie obiektów znajdujących się wokół niego.

Najważniejsze specjalne ostrzeżenia dot. bezpieczeństwa związane z obsługą pilarki łańcuchowej

1. Niniejsza pilarka łańcuchowa jest przeznaczona w szczególności do przycinania i pielęgnacji drzew. Pilarka łańcuchowa może być obsługiwana wyłącznie przez odpowiednio przeszkolone osoby. Należy przestrzegać wszystkich zaleceń, procedur i instrukcji odpowiedniej organizacji zawodowej. W przeciwnym razie istnieje ryzyko wystąpienia śmiertelnych wypadków. Podczas przycinania drzew zaleca się korzystanie z podnoszonej platformy (wysięgnika, dźwigu). Techniki opuszczania się po linie są niezwykle niebezpieczne i wymagają specjalnego przeszkolenia. Operatorzy muszą być odpowiednio przeszkoleni w odniesieniu do użytkowania sprzętu zabezpieczającego i technik wspinania się. Podczas pracy na drzewach należy zawsze używać odpowiednich pasów, lin i karabińczyków. Zawsze należy używać sprzętu mocującego zarówno dla operatora, jak i dla pilarki.

2. Przed przechowywaniem zaleca się przeprowadzenie czyszczenia i konserwacji narzędzia zgodnie z zaleceniami w instrukcji obsługi.
3. Upewnić się, że podczas transportu samochodowego pilarka łańcuchowa znajduje się w prawidłowej pozycji, aby uniknąć wycieku paliwa lub oleju łańcuchowego, uszkodzenia narzędzia i ryzyka obrażeń ciała.
4. Regularnie sprawdzać hamulec łańcucha pod kątem prawidłowego działania.
5. Nie uzupełniać oleju łańcuchowego w pobliżu ognia. Nigdy nie palić podczas uzupełniania oleju łańcuchowego.
6. Przepisy krajowe mogą ograniczać w pewnym zakresie użytkowanie pilarki łańcuchowej.
7. W przypadku silnego uderzenia urządzeniem lub jego upadku należy sprawdzić jego stan przed ponownym przystąpieniem do kontynuowania pracy. Sprawdzić elementy sterujące oraz urządzenia zabezpieczające pod kątem prawidłowego działania. W przypadku stwierdzenia jakiegokolwiek uszkodzenia lub wątpliwości należy skontaktować się z autoryzowanym centrum serwisowym w celu przeprowadzenia przeglądu i naprawy.
8. Przed uruchomieniem pilarki łańcuchowej należy zawsze w pierwszej kolejności załączyć hamulec łańcucha.
9. Zawsze trzymać pewnie pilarkę w rękach, aby uniknąć wyślizgnięcia się (ruch ślizgowy) lub odskoczenia pilarki podczas rozpoczynania cięcia.
10. Na końcu cięcia należy zachować ostrożność, aby zachować równowagę w wyniku „odruchu wypadnięcia” narzędzia.
11. Uwzględnić kierunek i prędkość wiatru. Unikać wirów i mgły oleju łańcuchowego.

Sprzęt ochronny

1. **Aby uniknąć obrażeń głowy, oczu, dłoni lub stóp, jak również w celu ochrony słuchu, podczas pracy z pilarką łańcuchową należy używać następującego sprzętu ochrony osobistej:**
 - Rodzaj odzieży powinien być dostosowany do wykonywanej pracy, tzn. odzież musi przylegać do ciała, ale nie może ograniczać swobody ruchów. Nie nosić biżuterii ani odzieży, która mogłaby się zaplątać w krzewy lub gałęzie. W przypadku długich włosów należy zawsze nosić siatkę ochronną!
 - Podczas pracy z pilarką łańcuchową należy zawsze nosić kask ochronny. **Kask ochronny** należy regularnie sprawdzać pod kątem ewentualnych uszkodzeń i wymieniać przynajmniej raz na 5 lat. Używać tylko atestowanych kasków ochronnych.
 - **Osłona twarzy** kasku ochronnego (lub gogle) chroni przed wirami i ścinkami. Podczas pracy z pilarką łańcuchową należy zawsze nosić gogle lub osłonę twarzy, aby zapobiec urazom oczu.
 - Nosić odpowiednią **ochronę słuchu** (nauszniki przeciwhałasowe, zatyczki do uszu itp.).

- **Kurtka ochronna** wykonana jest z 22-warstwowej tkaniny nylonowej i chroni operatora przed przecięciami. Należy ją zawsze nosić podczas prac wykonywanych na platformach podnoszonych (wysięgniki, dźwigi), na podestach montowanych na drabinach lub podczas prac wymagających wspinaczki na linach.
- **Ochronne szelki i spodnie na szelkach** wykonane są z 22-warstwowej tkaniny nylonowej i są odporne na przecięcia. Bezwzględnie zalecamy ich stosowanie.
- **Rękawice ochronne** wykonane z grubej skóry stanowią część przepisowego sprzętu ochronnego i muszą być zawsze noszone podczas pracy z pilarką łańcuchową.
- Podczas pracy z pilarką łańcuchową należy zawsze nosić **obuwie ochronne** lub **wyższe obuwie ochronne** z podeszwą przeciwpoślizgową i metalowymi noskami. Należy również zawsze nosić ochronę na nogi. Obuwie ochronne posiada warstwę zabezpieczającą przed przecięciem i zapewnia stabilną postawę. Podczas pracy na drzewach należy nosić specjalne obuwie ochronne, odpowiednie do technik wspinaczki.

Drgania

1. U osób z problemami krążeniowymi, które są narażone na działanie zbyt intensywnych drgań, może dochodzić do uszkodzenia naczyń krwionośnych lub układu nerwowego. Drgania mogą wywoływać poniższe objawy w palcach, rękach lub nadgarstkach: „senność” (odrętwienie), mrowienie, bóle, wrażenie klucia, zmiany w zabarwieniu skóry lub zmiany na skórze. **W przypadku wystąpienia któregośkolwiek z tych objawów należy zasięgnąć porady lekarza!** W celu zmniejszenia ryzyka wystąpienia „choroby białych palców” należy zapobiegać wyziębieniu dłoni podczas pracy oraz zapewnić prawidłowy stan urządzenia i akcesoriów.

ZACHOWAĆ INSTRUKCJE.

▲OSTRZEŻENIE: NIE WOLNO pozwolić, aby wygoda lub rutyna (nabyta w wyniku wielokrotnego używania narzędzia) zastąpiły ścisłe przestrzeganie zasad bezpieczeństwa obsługi. **NIEWŁAŚCIWE UŻYTKOWANIE** narzędzia lub niestosowanie się do zasad bezpieczeństwa podanych w niniejszej instrukcji obsługi może prowadzić do poważnych obrażeń ciała.

WAŻNE ZASADY BEZPIECZEŃSTWA

DOTYCZĄCE AKUMULATORA

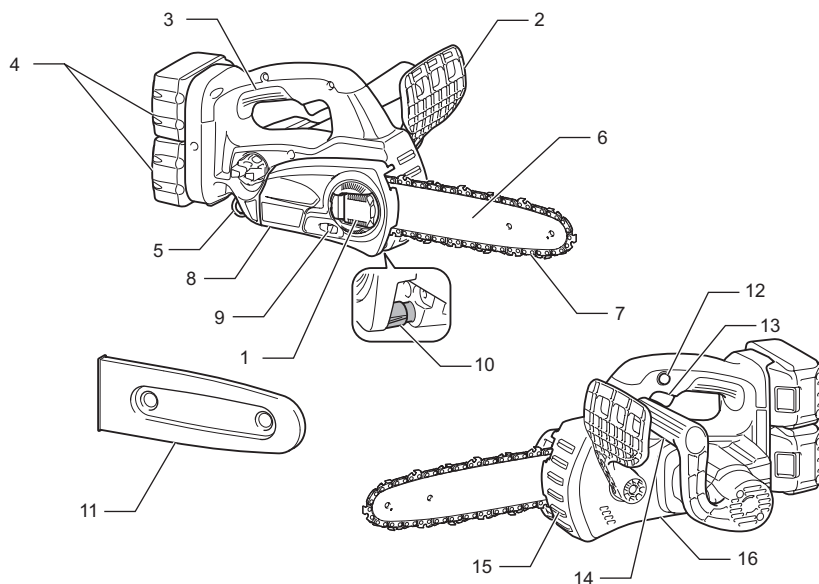
1. **Przed użyciem akumulatora zapoznać się z wszystkimi zaleceniami i znakami ostrzegawczymi na (1) ładowarce, (2) akumulatorze i (3) wyrobie, w którym będzie używany akumulator.**
2. **Akumulatora nie wolno rozbierać.**
3. **Jeżeli czas pracy uległ znacznemu skróceniu, należy natychmiast przerwać pracę. Może bowiem dojść do przegrzania, ewentualnych poparzeń, a nawet eksplozji.**
4. **W przypadku przedostania się elektrolitu do oczu, przemyć je wodą i niezwłocznie uzyskać pomoc lekarską. Może on bowiem spowodować utratę wzroku.**
5. **Nie doprowadzać do zwarcia akumulatora:**
 - (1) **Nie dotykać styków przedmiotami wykonanymi z materiałów przewodzących.**
 - (2) **Unikać przechowywania akumulatora w pojemniku z metalowymi przedmiotami, typu gwoździe, monety itp.**
 - (3) **Chronić akumulator przed wodą i deszczem.****Zwarcie prowadzi do przepływu prądu elektrycznego o dużym natężeniu i przegrzania akumulatora, co w konsekwencji może grozić poparzeniami a nawet awarią urządzenia.**
6. **Narzędzia i akumulatora nie wolno przechowywać w miejscach, w których temperatura osiąga bądź przekracza 50°C (122°F).**
7. **Akumulatorów nie wolno palić, również tych poważnie uszkodzonych lub całkowicie zużytych. W ogniu mogą one bowiem eksplodować.**
8. **Chronić akumulator przed upadkiem i uderzeniami.**
9. **Nie wolno używać uszkodzonego akumulatora.**
10. **Postępować zgodnie z przepisami lokalnymi dotyczącymi utylizacji akumulatorów.**

ZACHOWAĆ INSTRUKCJE.

Wskazówki dotyczące zachowania maksymalnej trwałości akumulatora

1. **Akumulator należy naładować zanim zostanie do końca rozładowany.** Gdy zauważysz spadek mocy narzędzia, przerwij pracę i naładuj akumulator.
2. **Nie wolno ładować powtórnie w pełni naładowanego akumulatora.** Przeladowanie akumulatora skraca jego czas eksploatacji.
3. **Akumulator ładować w temperaturze mieszczącej się w przedziale 10°C - 40°C (50°F - 104°F).** Gdy akumulator jest gorący, przed przystąpieniem do jego ładowania odczekać, aż ostygnie.
4. **Ładuj akumulator raz na sześć miesięcy, jeśli nie używasz urządzenia przez długi okres czasu.**

OPIS CZĘŚCI



1	Dźwignia	2	Ośłona ręki przedniej	3	Uchwyt górny
4	Akumulator	5	Karabińczyk (punkt zaczepienia liny)	6	Prowadnica
7	Łańcuch tnący	8	Pokrywa koła łańcuchowego	9	Pokrętło regulacyjne
10	Chwytek łańcucha	11	Ośłona prowadnicy	12	Przycisk blokady
13	Spust przełącznika	14	Uchwyt przedni	15	Zderzak zębaty
16	Śruba regulacyjna pompy olejowej (od spodu)	-	-	-	-

OPIS DZIAŁANIA

▲ PRZESTROGA:

- Przed przystąpieniem do regulacji lub przeglądu narzędzia upewnić się, czy jest ono wyłączone i czy został wyjęty akumulator.

Wkładanie i wyjmowanie akumulatora

- **Rys.2:** 1. Czerwony wskaźnik 2. Przycisk 3. Akumulator

▲ PRZESTROGA:

- Przed montażem lub demontażem akumulatora należy wyłączyć narzędzie.
- **Podczas wkładania lub wyjmowania akumulatora należy mocno trzymać narzędzie i akumulator.** W przeciwnym razie mogą one wysliznąć się z rąk, powodując uszkodzenie narzędzia lub akumulatora i obrażenia ciała.

Aby wyjąć akumulator, należy przesunąć przycisk znajdujący się w przedniej jego części i wysunąć akumulator. Aby zamontować akumulator, wystarczy wyrównać występ na akumulatorze z rowkiem w obudowie i wsunąć go na swoje miejsce. Akumulator należy wsuwać do oporu, aż się zablokuje, co jest sygnalizowane delikatnym kliknięciem. Jeśli jest widoczny czerwony wskaźnik w górnej części przycisku, akumulator nie został całkowicie zablokowany.

▲ PRZESTROGA:

- Należy go zamontować całkowicie, tak aby czerwony wskaźnik nie był widoczny. W przeciwnym razie może przypadkowo wypaść z urządzenia, raniąc operatora lub osoby postronne.
- Nie montować akumulatora na siłę. Jeśli akumulator nie daje się swobodnie wsunąć, prawdopodobnie został włożony nieprawidłowo.

WSKAZÓWKA:

- Narzędzie nie działa w przypadku użycia wyłącznie jednego akumulatora.

System ochrony narzędzia/akumulatora

Narzędzie jest wyposażone w system ochrony narzędzia/akumulatora. System ten automatycznie odcina dopływ prądu do silnika w celu wydłużenia żywotności narzędzia i akumulatora.

Narzędzie zostanie automatycznie zatrzymane podczas pracy w następujących sytuacjach związanych z narzędziem lub akumulatorem. Niektóre sytuacje zostaną wskazane poprzez zapalenie się odpowiednich wskaźników.

Zabezpieczenie przed przeciążeniem

W przypadku obsługi narzędzia w sposób przyczyniający się do nadmiernego wzrostu natężenia prądu, narzędzie zostanie automatycznie wyłączone bez żadnego powiadomienia. W takiej sytuacji należy wyłączyć narzędzie i zaprzestać wykonywania czynności powodującej przeciążenie narzędzia. Następnie należy ponownie uruchomić narzędzie.

Zabezpieczenie przed przegrzaniem akumulatora/narzędzia

W przypadku przegrzania akumulatora/narzędzia narzędzie zatrzyma się automatycznie bez żadnego wskazania za pomocą wskaźników. Narzędzie nie uruchomi się nawet po pociągnięciu języka spustowego przełącznika. W takiej sytuacji należy odczekać, aż akumulator/narzędzie ostygnie przed ponownym jego włączeniem.

WSKAZÓWKA: Zabezpieczenie przed przegrzaniem akumulatora działa wyłącznie z akumulatorem z symbolem gwiazdy.

- **Rys.3:** 1. Znak gwiazdki

Zabezpieczenie przed nadmiernym wyładowaniem

- **Rys.4:** 1. Wskaźnik akumulatora

W przypadku gdy poziom naładowania akumulatora jest bardzo niski, wskaźnik akumulatora zacznie migać z boku właściwego akumulatora. W przypadku dalszego użytkowania narzędzie zatrzyma się, a wskaźnik akumulatora zapali się na około 10 sekund. W takiej sytuacji należy naładować akumulator.

Wskazanie stanu naładowania akumulatora

Tylko w przypadku akumulatorów ze wskaźnikiem

- **Rys.5:** 1. Lampki wskaźnika 2. Przycisk kontrolny
Nacisnąć przycisk kontrolny na akumulatorze w celu wyświetlenia stanu naładowania akumulatora. Lampki wskaźnika zaświecą się przez kilka sekund.

Lampki wskaźnika			Pozostała energia akumulatora
Świeci się	Wyłączony	Miga	
			75–100%
			50–75%
			25–50%
			0–25%
			Naładować akumulator.
			Akumulator może nie działać poprawnie.

WSKAZÓWKA: Zależnie od warunków użytkowania i temperatury otoczenia, wskazywany poziom może nieznacznie się różnić od rzeczywistego stanu naładowania akumulatora.

Włączanie

PRZESTROGA:

- Przed montażem akumulatora do narzędzia zawsze sprawdź, czy język spustowy wyłącznika działa prawidłowo i po zwolnieniu powraca do położenia „OFF”.

► **Rys.6:** 1. Przycisk blokady 2. Spust przełącznika
Urządzenie wyposażone jest w przycisk blokady złączenia, który zapobiega przypadkowemu pociągnięciu za język spustowy przełącznika.
Aby uruchomić urządzenie, należy zwolnić przycisk blokady i pociągnąć za język spustowy wyłącznika. W celu zatrzymania urządzenia wystarczy zwolnić język spustowy przełącznika.

Kontrola hamulca łańcucha

WSKAZÓWKA:

- Jeżeli nie udaje się uruchomić pilarki łańcuchowej, należy zwolnić hamulec łańcucha. W tym celu należy pociągnąć w tył przednią osłonę ręki, aż zostanie zablokowana w tym położeniu.

Pilarkę łańcuchową w trakcie włączania należy trzymać oburącz. Prawa ręka powinna spoczywać na górnym uchwycie, lewa na przednim. Prowadnica i łańcuch nie powinny stykać się z żadnym przedmiotem.
Najpierw naciśnij przycisk odblokowujący, a następnie język spustowy. Łańcuch tnący zacznie się natychmiast poruszać.

► **Rys.7:** 1. Osłona ręki przedniej 2. Zablokuj 3. Odblokuj

Naciśnij przednią osłonę ręki wierzchem dłoni. Łańcuch tnący powinien się momentalnie zatrzymać.

PRZESTROGA:

- Jeżeli łańcuch pilarki nie zatrzyma się od razu po przeprowadzeniu tej próby, w żadnym wypadku nie wolno używać tej pilarki. Należy zasięgnąć porady specjalistycznego warsztatu, zajmującego się naprawą narzędzi MAKITA.

Kontrola hamulca bezwładnościowego

Włącz pilarkę łańcuchową.

Zwolnij całkowicie język spustowy przełącznika. Łańcuch pilarki powinien się zatrzymać w ciągu jednej sekundy.

PRZESTROGA:

- Jeżeli łańcuch pilarki nie zatrzyma się w ciągu jednej sekundy po przeprowadzeniu tej próby, nie wolno używać tej pilarki. Należy zasięgnąć porady specjalistycznego warsztatu, zajmującego się naprawą narzędzi MAKITA.

Regulacja smarowania łańcucha

► **Rys.8:** 1. Śruba regulacyjna

Możesz regulować szybkość zasilania pompy olejowej za pomocą śruby regulującej. Ilość oleju można wyregulować uniwersalnym kluczem nasadowym.

Zaczepek (punkt zaczepienia liny)

► **Rys.9**

Zaczepek (punkt zaczepienia liny) służy do zawieszania narzędzia. Przed użyciem zaczepu wyciągnij go i przywiąż do niego linę.

MONTAŻ

PRZESTROGA:

- Przed przystąpieniem do jakichkolwiek czynności związanych z obsługą narzędzia należy koniecznie upewnić się, czy jest ono wyłączone i czy akumulator został wyjęty.

Demontaż lub montaż łańcucha tnącego

PRZESTROGA:

- Do montażu lub demontażu łańcucha tnącego należy zawsze zakładać rękawice.
- Łańcuch tnący i prowadnica są nadal gorące po wyłączeniu. Poczekać na ich ostygnięcie przed przystąpieniem do przeprowadzania jakichkolwiek prac na narzędziu.

Aby zdemontować łańcuch tnący, należy wykonać następującą procedurę:

1. Nacisnąć i otworzyć dźwignię do oporu.

► **Rys.10:** 1. Pokrywa koła łańcuchowego 2. Dźwignia

2. Obrócić pokrętko regulacyjne w kierunku „-”, aby zwolnić napięcie łańcucha tnącego.

► **Rys.11:** 1. Pokrętko regulacyjne

3. Obrócić dźwignię w kierunku przeciwnym do ruchu wskazówek zegara, aby poluzować pokrywę koła łańcuchowego w celu jej zdjęcia.

4. Ściągnij pokrywę koła łańcuchowego.

5. Ściągnij łańcuch tnący z pilarki i zdemontuj prowadnicę.

Aby zamontować łańcuch tnący, należy wykonać następującą procedurę:

6. Sprawdzić kierunek łańcucha. Symbol strzałki na łańcuchu wskazuje kierunek łańcucha.

► **Rys.12:** 1. Koło łańcuchowe

7. Zamocować jeden koniec łańcucha tnącego na górze prowadnicy, a drugi jego koniec owinąć na kole łańcuchowym.

8. Oprzyj prowadnicę na łańcuchu tnącym.

9. Obrócić pokrętko regulacyjne i ustawić w kierunku „-”, aby przesuwać sworzeń regulacyjny w kierunku strzałki.

► **Rys.13:** 1. Sworzeń regulacyjny

10. Załóż pokrywę koła łańcuchowego na pilarkę, aby sworzeń regulacyjny znalazł się w małym otworze w prowadnicy.

► **Rys.14:** 1. Otwór 2. Prowadnica

11. Obrócić dźwignię w prawo do oporu, a następnie z powrotem o 1/4 obrotu w celu poluzowania umożliwiającego wyregulowanie napięcia łańcucha.

12. Obracać pokrętkiem regulacyjnym i wyregulować napięcie łańcucha.

13. Obrócić dźwignię zgodnie z ruchem wskazówek zegara w celu zamocować pokrywę koła łańcuchowego.

► **Rys.15:** 1. Pokrywa koła łańcuchowego 2. Dźwignia

14. Nacisnąć i ustawić dźwignię w pierwotnej pozycji.

Regulacja naciągu łańcucha

Po wielu godzinach pracy łańcuch tnący może być luźny. Od czasu do czasu przed przystąpieniem do pracy należy skontrolować naciąg łańcucha.

1. Nacisnąć i otworzyć dźwignię do momentu usłyszenia kliknięcia. Obrócić dźwignię nieznacznie w kierunku przeciwnym do ruchu wskazówek zegara, aby lekko poluzować pokrywę koła łańcuchowego.
- ▶ **Rys.16:** 1. Pokrywa koła łańcuchowego 2. Dźwignia
2. Unieść lekko końcówkę prowadnicy.
- ▶ **Rys.17:** 1. Odkręcanie 2. Dokręcić 3. Pokręcić regulacyjnie 4. Prowadnica 5. Łańcuch tnący
3. Obracając pokrętkę regulacyjną, wyregulować napięcie łańcucha tnącego. Zamocować łańcuch tnący w taki sposób, aby dolna część łańcucha tnącego znajdowała się w szynie prowadnicy (patrz szczegóły na rysunku).
4. Delikatnie przytrzymać prowadnicę i zamocować pokrywę koła łańcuchowego po wyregulowaniu napięcia łańcucha. Upewnić się, że dolna część łańcucha tnącego nie poluzowała się.
5. Nacisnąć i ustawić dźwignię w pierwotnej pozycji.
- ▶ **Rys.18:** 1. Pokrywa koła łańcuchowego 2. Dźwignia

Sprawdzić, czy łańcuch tnący jest prawidłowo dopasowany do dolnej części prowadnicy.

PRZESTROGA:

- Nie mocować łańcucha tnącego zbyt mocno. Nadmierne napięcie łańcucha tnącego może prowadzić do zerwania łańcucha tnącego, zużycia prowadnicy oraz pęknięcia pokrętki regulacyjnej.
- Za mocno poluzowany łańcuch może zeskokczyć z prowadnicy i z tego względu grozi wypadkiem.
- Procedurę montażu i demontażu łańcucha tnącego należy przeprowadzać w czystym miejscu, wolnym od trocin itp.


Zderzak zębaty (akcesoria opcjonalne)

▶ Rys.19

Aby zamontować zderzak zębaty, należy wykonać następujące czynności:

1. Wymontować pokrywę koła łańcuchowego, łańcuch tnący i prowadnicę zgodnie z opisem w niniejszej instrukcji obsługi.
2. Umieścić zderzak zębaty, zębami skierowanymi do przodu, tak aby jego otwory były wyrównane z otworami w pilarence łańcuchowej.
3. Przykręcić zderzak zębaty dwiema dostarczonymi śrubami.

DZIAŁANIE

 **PRZESTROGA:** Nie zasłaniać otworów wentylacyjnych. W przeciwnym wypadku może to doprowadzić do przegrzania lub uszkodzenia narzędzia.

Smarowanie

- ▶ **Rys.20:** 1. Korek wlewu oleju 2. Okienko kontrolne oleju (do uzupełniania zbiornika olejem)
3. Okienko sprawdzania poziomu oleju

Podczas pracy łańcuch tnący jest smarowany automatycznie. Ilość oleju pozostała w zbiorniczku, należy sprawdzać zaglądając do okienka.

Aby uzupełnić zbiornik, należy odkręcić korek wlewu zbiornika oleju.

Po napełnieniu zbiorniczka, należy zawsze zakręcić korek wlewu.

PRZESTROGA:

- W przypadku pierwszego napełnienia pilarki olejem do smarowania łańcucha lub uzupełniania zbiornika po jego całkowitym opróżnieniu należy nalać olej do poziomu dolnej krawędzi szyki wlewu. W przeciwnym razie dostarczanie oleju może ulec pogorszeniu.
- Do smarowania należy używać wyłącznie oleju do pilarek łańcuchowych firmy Makita, lub olejów dostępnych na rynku.
- Nie wolno używać oleju zanieczyszczonego pyłem i innymi cząstkami, ani też olejów lotnych.
- Do przycinania drzew, należy używać oleju roślinnego. Olej mineralny może szkodzić roślinom.
- Podczas przycinania, nie wolno używać siły.
- Przed przystąpieniem do cięcia, należy sprawdzić, czy korek wlewu oleju jest zakręcony.

▶ Rys.21

Należy stanąć z pilarką z dala od drzewa. Następnie należy uruchomić pilarkę i zaczekać, aż łańcuch tnący zostanie wystarczająco nasmarowany.

Przed włączeniem narzędzia należy przyłożyć zderzak zębaty do ścinanej gałęzi. W przeciwnym razie spowoduje to bicie wzdłużne prowadnicy, doprowadzając do obrażeń ciała operatora.

Drewno należy odcinać tylko przesuwając pilarkę do dołu.

PRACE WYKONYWANE PRZY UŻYCIU PILARKI ŁAŃCUCHOWEJ

Okrzesywanie drzew

- ▶ **Rys.22:** 1. Zderzak zębaty

PRZESTROGA:

- Gdy silnik jest włączony, należy trzymać wszystkie części ciała z dala od łańcucha tnącego.
- Gdy silnik jest włączony, należy trzymać pilarkę mocno oburącz.
- Nie przeceniać swoich możliwości. Należy stać pewnie, aby nie stracić równowagi.

Przed włączeniem narzędzia należy przyłożyć zderzak zębaty do ścinanej gałęzi. Rozpoczęcie ścinania bez przyłożenia zderzaka zębatego do gałęzi grozi biciem wzdłużnym prowadnicy, powodując obrażenia u operatora.

► **Rys.23**

Podczas ścinania grubych gałęzi proszę najpierw wykonać płytkie podcięcie, po czym zakończyć ścinanie od góry.

► **Rys.24**

Przy próbie ścinania grubych gałęzi od spodu gałąź może się zamknąć i zakleszczyć łańcuch tnący. Przy próbie ścinania grubych gałęzi od góry bez wstępnego podcięcia, gałąź może się rozszczepić.

► **Rys.25**

Jeżeli nie jesteś w stanie przeciąć drewna jednym ruchem:

Kontynuuj cięcie wywierając niewielki nacisk na uchwyty i powoli wycofuj pilarkę, po czym umieść ostrze nieco niżej i dokończ ścinanie, podnosząc lekko uchwyty.

Przenoszenie narzędzia

► **Rys.26:** 1. Osłona prowadnicy 2. Pokrywa baterii

Przed przenoszeniem narzędzia należy zawsze usunąć akumulator i nałożyć osłonę prowadnicy na prowadnicę. Na akumulator należy również założyć osłonę.

KONSERWACJA

▲ PRZESTROGA:

- Przed przystąpieniem do przeglądu narzędzia lub jego konserwacji upewnić się, czy jest ono wyłączone i czy akumulator został wyjęty.
- Do przeprowadzenia przeglądu bądź konserwacji należy zawsze zakładać rękawice.
- Nie wolno używać benzyny, benzenu, rozpuszczalnika, alkoholu itp. Substancje takie mogą spowodować odbarwienia, odkształcenia lub pęknięcia.

Ostrzenie łańcucha pilarki

▲ PRZESTROGA:

- Podczas wykonywania czynności konserwacyjnych przy pilarkę łańcuchowej, należy zawsze nosić rękawice ochronne, a akumulator musi być wyjęty.

► **Rys.27**

Łańcuch wymaga naostrzenia, gdy:

- Podczas cięcia wilgotnego drewna powstają mączne trociny;
- Łańcuch wchodzi w drewno z trudem, nawet gdy wywierany jest duży nacisk;
- Krawędź rzazu jest w sposób wyraźny uszkodzona;
- Piła w drewnie ciągnie w lewą bądź w prawą stronę. Powodem takiego zachowania jest nierównomierne naostrzenie łańcucha pilarki lub uszkodzenie powstałe tylko z jednej strony.

Łańcuch pilarki należy często ostrzyć, zbierając za każdym razem tylko niewielką ilość materiału.

W przypadku rutynowego ostrzenia zwykle wystarczą dwa lub trzy pociągnięcia pilnikiem. Gdy łańcuch pilarki był ostrzony już kilka razy, należy zlecić jego naostrzenie w specjalistycznym punkcie serwisowym narzędzi MAKITA.

Kryteria ostrzenia:

- Wszystkie długości zębów tnących muszą być równe. Zęby tnące o różnych długościach powodują, że łańcuch porusza się nierówno i może ulec zerwaniu.
 - Nie wolno ostrzyć łańcucha po osiągnięciu minimalnej długości zęba tnącego, która wynosi 3 mm. W takim przypadku należy zamontować nowy łańcuch.
 - Grubość wiórów zależy od odległości pomiędzy ogranicznikiem głębokości (okrągły czubek) a krawędzią cięcia.
 - Najlepsze rezultaty cięcia uzyskuje się przy podanej poniżej odległości pomiędzy krawędzią tnącą a ogranicznikiem głębokości.
 - Ostrze łańcucha 90PX: 0,5 mm
 - Ostrze łańcucha 91PX: 0,65 mm
 - Ostrze łańcucha 25AP: 0,65 mm
- **Rys.28:** 1. Długość tnąca 2. Odległość pomiędzy krawędzią tnącą a ogranicznikiem głębokości 3. Minimum 3 mm

▲ OSTRZEŻENIE:

- Zbyt duża odległość zwiększa ryzyko wystąpienia odrzutu.
 - 30° kąt ostrzenia powinien być taki sam dla wszystkich zębów tnących. Różnice w kątach powodują, że łańcuch szarpie i nierówno się przesuwa. Przyspieszają one również zużycie i prowadzą do zrywania łańcucha.
 - Kąt płytki bocznej zęba tnącego zależy od głębokości penetracji pilnika okrągłego. Jeżeli wymagany pilnik jest używany właściwie, prawidłowy kąt płytki bocznej uzyskiwany jest automatycznie.
 - Kąty płytek bocznych łańcuchów tnących są następujące:
 - Ostrze łańcucha 90PX: 75°
 - Ostrze łańcucha 91PX: 80°
 - Ostrze łańcucha 25AP: 85°
- **Rys.29:** 1. Kąt płytki bocznej

Pilnik i prowadzenie pilnika

- Do ostrzenia łańcucha należy używać specjalnego pilnika okrągłego do łańcuchów tnących (akcesoria opcjonalne). Zwykle pilniki okrągłe nie nadają się do tego celu.
- Średnice pilników okrągłych dla poszczególnych łańcuchów tnących są następujące:
 - Ostrze łańcucha 90PX: 4,5 mm
 - Ostrze łańcucha 91PX: 4,0 mm
 - Ostrze łańcucha 25AP: 4,0 mm
- Pilnik powinien ostrzyć tylko ząb tnący podczas ruchu w przód. Przy ruchu powrotnym pilnik należy unieść nad ząb tnący.

- Ostrzenie należy zacząć od najkrótszego zęba tnącego. Wówczas długość najkrótszego zęba tnącego staje się standardową długością dla wszystkich pozostałych zębów tnących łańcucha tnącego.

► **Rys.30**

- Pilnik należy prowadzić zgodnie z rysunkiem.
- Pilnik można łatwiej prowadzić za pomocą prowadnika (nie ma w zestawie). Prowadnik pilnika posiada znaczniki do prawidłowego ostrzenia kąta 30° (znaczniki powinny być równoległe do łańcucha pilarki). Ogranicza on również głębokość penetracji (do 4/5 średnicy pilnika).

► **Rys.31**

- Po naostrzeniu łańcucha należy sprawdzić wysokość ogranicznika głębokości za pomocą specjalnego głębokościomierza do łańcuchów (nie ma w zestawie).

► **Rys.32**

- Zadziory, obojętnie jak małe, należy usunąć specjalnym pilnikiem płaskim (nie ma w zestawie).
- Ponownie należy zaokrąglić przednią część ogranicznika głębokości.

Czyszczenie prowadnicy

► **Rys.33**

Wiórki i trociny zbierają się w rowku prowadnicy, zatykając go i pogarszając przepływ oleju. Podczas ostrzenia lub wymiany łańcucha tnącego zawsze oczyszczaj narzędzie z wiórek i trocin.

Czyszczenie otworu spustowego oleju

Podczas eksploatacji maszyny w okolicy otworu spustowego może się gromadzić pył i niewielkie zanieczyszczenia.

Pył i niewielkie zanieczyszczenia gromadzące się w otworze spuszczenia oleju mogą pogarszać jego przepływ, powodując tym samym niewystarczające smarowanie całego łańcucha tnącego.

Jeżeli do górnej części prowadnicy dociera zbyt mała ilość oleju, wyczyść otwór spustowy oleju w następujący sposób.

Wyjmij z narzędzia akumulator.

Zdejmij z narzędzia pokrywę koła łańcuchowego i łańcuch tnący. (Sięgnij do części zatytułowanej "Montaż lub demontaż łańcucha tnącego".)

► **Rys.34:** 1. Wkrętak płaski

Usunąć pył i niewielkie zanieczyszczenia za pomocą cienkiego śrubokręta płaskiego lub podobnego przyrządu.

Włóż do narzędzia akumulator.

Pociągnij za język spustowy wyłącznika, aby usunąć nagromadzony pył i zanieczyszczenia poprzez spuszczenie oleju do pilarek łańcuchowych.

Wyjmij z narzędzia akumulator.

Zamontuj ponownie pokrywę koła łańcuchowego i łańcuch tnący.

Wymiana koła łańcuchowego

► **Rys.35:** 1. Koło łańcuchowe 2. Pierścień zabezpieczający

Przed zamontowaniem nowego łańcucha tnącego należy sprawdzić stan koła łańcuchowego.

▲ PRZESTROGA:

- Zużyte koło łańcuchowe spowoduje uszkodzenie nowego łańcucha tnącego. W takim przypadku koło łańcuchowe należy wymienić. Koło łańcuchowe musi być zamontowane w położeniu pokazanym na rysunku.

► **Rys.36:** 1. Pierścień zabezpieczający 2. Koło łańcuchowe

Podczas wymiany koła łańcuchowego należy zawsze zamontować nowy pierścień zabezpieczający.

Wymiana szczotek węglowych

► **Rys.37:** 1. Znak ograniczenia

Systematycznie wyjmować i sprawdzać szczotki węglowe. Wymieniać je, gdy ich zużycie sięga znaku granicznego. Szczotki powinny być czyste i łatwo wchodzić w uchwyt. Należy wymieniać obydwie szczotki jednocześnie. Stosować wyłącznie identyczne szczotki węglowe.

► **Rys.38:** 1. Pokrywka uchwytu szczotki 2. Śrubokręt

Do wyjęcia pokrywek uchwytów szczotek używać śrubokrętu. Wyjąć zużyte szczotki węglowe, włożyć nowe i zabezpieczyć pokrywkami uchwytów szczotek.

Przechowywanie narzędzia

Przed odłożeniem pilarki do przechowywania, należy ją oczyścić. Po zdjęciu osłony koła łańcuchowego, należy usunąć wióry, pył, itd. Po wyczyszczeniu należy pilarkę uruchomić bez obciążenia, aby został nasmarowany łańcuch i prowadnica.

Założyć osłonę prowadnicy na prowadnicę.

Usuń olej ze zbiornika oleju, aby go opróżnić i odtóż pilarkę.

Dla zachowania BEZPIECZEŃSTWA i

NIEZAWODNOŚCI wyrobu, naprawy oraz inne prace konserwacyjne i regulacyjne powinny być wykonywane przez Autoryzowane Centra Serwisowe Makita, wyłącznie przy użyciu części zamiennych Makita.

Instrukcje dotyczące konserwacji okresowej

Aby zapewnić długą żywotność pilarki, zapobiec jej uszkodzeniu i zapewnić prawidłowe działanie wszystkich zabezpieczeń, należy regularnie wykonywać wymienione poniżej prace konserwacyjne. Roszczenia gwarancyjne mogą być uznane tylko, w przypadku gdy takie prace są wykonywane regularnie i w prawidłowy sposób. Niewykonywanie zalecanych prac konserwacyjnych może doprowadzić do wypadków! Użytkownik pilarki łańcuchowej nie może wykonywać żadnych prac konserwacyjnych, które nie zostały opisane w niniejszej instrukcji obsługi. Wszelkie takie prace mogą być wykonywane tylko przez autoryzowane centrum serwisowe.

Czas pracy		Przed uruchomieniem narzędzia	Codziennie	Co tydzień	Co 3 miesiące	Raz w roku	Przed przechowywaniem
Komponent							
Pilarka łańcuchowa	Kontrola.	<input type="radio"/>					
	Czyszczenie.		<input type="radio"/>				
	Zlecić przegląd autoryzowanemu centrum serwisowemu.					<input type="radio"/>	<input type="radio"/>
Łańcuch tnący	Kontrola.	<input type="radio"/>					
	Naostrzyć w razie konieczności.						<input type="radio"/>
Prowadnica	Kontrola.	<input type="radio"/>	<input type="radio"/>				
	Zdemontować z pilarki łańcuchowej.						<input type="radio"/>
Hamulec łańcucha	Sprawdzić pod kątem prawidłowego działania.	<input type="radio"/>					
	Zlecić regularną kontrolę autoryzowanemu centrum serwisowemu.				<input type="radio"/>		
Smarowanie łańcucha	Sprawdzić szybkość zasilania oleju.	<input type="radio"/>					
Spust przełącznika	Kontrola.	<input type="radio"/>					
Przycisk blokady	Kontrola.	<input type="radio"/>					
Korek wlewu oleju	Sprawdzić prawidłowe dokręcenie.	<input type="radio"/>					
Chwytnak łańcucha	Kontrola.			<input type="radio"/>			
Śruby i nakrętki	Kontrola.			<input type="radio"/>			

ROZWIĄZYWANIE PROBLEMÓW

Przed oddaniem urządzenia do naprawy należy samodzielnie wykonać przegląd. W razie napotkania problemu, który nie został wyjaśniony w instrukcji, nie należy próbować demontować urządzenia we własnym zakresie. Należy natomiast zlecić naprawę w autoryzowanym punkcie serwisowym firmy Makita, zawsze z użyciem oryginalnych części zamiennych Makita.

Status usterki	Przyczyna	Działanie
Pilarka łańcuchowa nie uruchamia się.	Nie zostały zamontowane dwa akumulatory.	Zamontować naładowany akumulator.
	Problem z akumulatorem (zbyt niskie napięcie).	Naładować akumulator. Jeśli ładowanie nie jest skuteczne, należy wymienić akumulator.
Łańcuch nie porusza się.	Załączony hamulec łańcucha.	Zwolnić hamulec łańcucha.
Silnik przestaje pracować po krótkim czasie.	Poziom naładowania akumulatora jest niski.	Naładować akumulator. Jeśli ładowanie nie jest skuteczne, należy wymienić akumulator.
Brak oleju na łańcuchu.	Pusty zbiornik oleju.	Napełnić zbiornik oleju.
	Zanieczyszczony rowek rozpraszający olej.	Oczyszczyć rowek.
	Nieprawidłowo wyregulowane doprowadzanie oleju.	Wyregulować ilość doprowadzanego oleju.
Nie można osiągnąć maksymalnych obrotów.	Akumulator został nieprawidłowo zamontowany.	Włożyć akumulator zgodnie z opisem w niniejszej instrukcji.
	Spada moc akumulatora.	Naładować akumulator. Jeśli ładowanie nie jest skuteczne, należy wymienić akumulator.
	Układ napędowy nie działa prawidłowo.	Zlecić naprawę w lokalnym autoryzowanym punkcie serwisowym.
Łańcuch nie zatrzymuje się, nawet po załączeniu hamulca łańcucha: natychmiast wyłączyć urządzenie!	Zużyta taśma hamulca.	Zlecić naprawę w lokalnym autoryzowanym punkcie serwisowym.
Nietypowe drgania: natychmiast wyłączyć narzędzie!	Poluzować prowadnicę lub łańcuch tnący.	Wyregulować prowadnicę i napięcie łańcucha tnącego.
	Nieprawidłowe działanie narzędzia.	Zlecić naprawę w lokalnym autoryzowanym punkcie serwisowym.

AKCESORIA OPCJONALNE

PRZESTROGA:

- Zaleca się stosowanie wymienionych akcesoriów i dodatków razem z elektronarzędziem Makita opisanym w niniejszej instrukcji. Stosowanie jakichkolwiek innych akcesoriów i dodatków może stanowić ryzyko uszkodzenia ciała. Stosować akcesoria i dodatki w celach wyłącznie zgodnych z ich przeznaczeniem.

WSKAZÓWKA:

- Niektóre pozycje znajdujące się na liście mogą być dołączone do pakietu narzędziowego jako akcesoria standardowe. Mogą to być różne pozycje, w zależności od kraju.

W razie potrzeby, wszelkiej pomocy i szczegółowych informacji na temat niniejszych akcesoriów udziela Państwu lokalne Centra Serwisowe Makita.

- Oryginalny akumulator i ładowarka firmy Makita
- Łańcuch tnący
- Prowadnica
- Oslona prowadnicy
- Pilnik
- Worek na narzędzia

SPECIFICAȚII

Model		DUC252		DUC302
Lamă de ghidare standard	Lungime lamă de ghidare	250 mm		300 mm
	Lungime de tăiere	23 cm	24 cm	28 cm
	Tip	Bară frontală de roată dințată	Bară de havare	Bară frontală de roată dințată
Lanț de ferăstrău standard	Tip	91PX	25AP	90PX
	Pas	9,5 mm (3/8")	6,35 mm (1/4")	9,5 mm (3/8")
	Calibru	1,3 mm (0,05")	1,3 mm (0,05")	1,1 mm (0,043")
	Nr. organelor de transmisie	40	60	46
Roată de lanț	Număr de dinți	6	9	6
	Pas	9,5 mm (3/8")	6,35 mm (1/4")	9,5 mm (3/8")
Lungime totală (fără lama de ghidare)		316 mm		
Greutate netă	*1	4,1 kg		
	*2	4,6 kg		4,7 kg
Viteză lanț pe minut		8,3 m/s (500 m/min)		
Volum rezervor ulei de lanț		85 cm ³		
Tensiune nominală		36 V cc.		36 V cc.

• Datorită programului nostru continuu de cercetare și dezvoltare, caracteristicile pot fi modificate fără o notificare prealabilă.
 • Specificațiile și ansamblul baterie pot diferi de la țară la țară.

*1 Greutate, cu cel mai mare cartuș de acumulator, fără lamă de ghidare și lanț, rezervor de ulei gol, conform EN ISO 11681-2.

*2 Greutate, cu cartuș de acumulator, lamă de ghidare și lanț, rezervor de ulei plin, conform EPTA-Procedura 01/2003.

AVERTISMENT: Utilizați combinația corespunzătoare dintre lama de ghidare și lanțul de ferăstrău. În caz contrar, există pericolul de accidentări.

Simboluri

Mai jos sunt prezentate simbolurile de pe echipament. Asigurați-vă că înțelegeți sensul acestora înainte de utilizare.

	Citiți manualul de instrucțiuni.
	Purtați viziera.
	Purtați mijloace de protecție a auzului.
	Purtați cască, ochelari și protecție antifonică.
	Utilizați protecții adecvate pentru picioare și labele picioarelor și pentru mâini și brațe.
	Acest ferăstrău este destinat folosirii numai de către operatori corespunzător instruiți.
	Nu expuneți la ploaie.
	Lungime de tăiere maximum permisă
	Direcția de deplasare a lanțului

	Ajustare ulei pentru ferăstrău cu lanț
	Ni-MH Li-ion
	Doar pentru țările UE Nu depuneți echipamente electrice sau acumuloarele împreună cu gunoii menajeri! În conformitate cu Directiva europeană privind deșeurile de echipamente electrice și electronice, bateriile și acumuloarele, precum și bateriile și acumuloarele reziduale și implementarea acestora conform legislației naționale, echipamentele electrice și bateriile și acumuloarele care au ajuns la sfârșitul duratei de viață trebuie colectate separat și reciclate corespunzător în vederea protejării mediului.

Destinația de utilizare

Mașina este destinată tăierii ramurilor/curățării copacilor. De asemenea, este potrivită pentru întreținerea copacilor.

Zgomot

Nivelul de zgomot normal ponderat A determinat în conformitate cu EN60745-2-13:

Nivel de presiune acustică (L_{pA}): 84,4 dB (A)

Nivel de putere acustică (L_{WA}): 95,4 dB (A)

Marjă de eroare (K): 2,5 dB (A)

Purtați mijloace de protecție a auzului

Vibrații

Valoarea totală a vibrațiilor (suma vectorilor tri-axiali) determinată conform EN60745-2-13:

Model DUC252

Mod de funcționare: tăierea lemnului

Emisie de vibrații (a_h): 4,7 m/s²

Marjă de eroare (K): 1,5 m/s²

Model DUC302

Mod de funcționare: tăierea lemnului

Emisie de vibrații (a_h): 6,3 m/s²

Marjă de eroare (K): 1,5 m/s²

NOTĂ: Nivelul de vibrații declarat a fost măsurat în conformitate cu metoda de test standard și poate fi utilizat pentru compararea unei unelte cu alta.

NOTĂ: Nivelul de vibrații declarat poate fi, de asemenea, utilizat într-o evaluare preliminară a expunerii.

AVERTIZARE: Nivelul de vibrații în timpul utilizării reale a unelei electrice poate diferi de valoarea nivelului declarat, în funcție de modul în care uneltele este utilizată.

AVERTIZARE: Asigurați-vă că identificați măsurile de siguranță pentru a proteja operatorul, acestea fiind bazate pe o estimare a expunerii în condiții reale de utilizare (luând în considerare toate părțile ciclului de operare, precum timpii în care uneltele a fost oprită, sau a funcționat în gol, pe lângă timpul de declanșare).

Declarație de conformitate CE

Numai pentru țările europene

Declarația de conformitate CE este inclusă ca Anexa A în acest manual de instrucțiuni.

Avertismente generale de siguranță pentru uneltele electrice

AVERTIZARE Citiți toate avertizările de siguranță și toate instrucțiunile. Nerespectarea acestor avertizări și instrucțiuni poate avea ca rezultat electrocutarea, incendiul și/sau rănirea gravă.

Păstrați toate avertismentele și instrucțiunile pentru consultări ulterioare.

Avertizări privind siguranța pentru lanțul ferăstrăului fără cablu:

- Țineți toate părțile corpului la distanță de ferăstrăul cu lanț în timpul funcționării lanțului. Înainte de a porni lanțul ferăstrăului asigurați-vă că acesta nu atinge nimic.** Un moment de neatenție în timp ce utilizați ferăstrăul cu lanț poate produce prinderea hainelor sau corpului dumneavoastră cu lanțul ferăstrăului.
- Când țineți cu ambele mâini, țineți ferăstrăul cu lanț întotdeauna cu mâna dreaptă pe mânerul din spate și cu mâna stângă pe mânerul frontal.** Ținerea ferăstrăului cu lanț cu o poziție inversată a mâinilor crește riscul de rănire personală și nu trebuie făcută niciodată.
- Țineți mașina electrică doar de suprafețele de prindere izolate, deoarece lanțul ferăstrăului poate intra în contact cu fire ascunse.** Lanțurile de ferăstrău care intră în contact cu un fir sub tensiune vor pune sub tensiune și componentele metalice expuse ale mașinii electrice, existând pericolul ca operatorul să se electrocuteze.
- Purtați viziera și mijloace de protecție a auzului. Suplimentar este recomandat echipamentul de protecție pentru cap, mâini, labela picioarelor și picioare.** Îmbrăcămintea adecvată de protecție va reduce riscul rănirii personale datorită resturilor proiectate sau contactului accidental cu lanțul ferăstrăului.
- Purtați întotdeauna încălțăminte adecvată.** Suprafețele echilibrice sau instabile pot cauza pierderea echilibrului sau controlului asupra ferăstrăului cu lanț.
- Când tăiați o ramură care este tensionată aveți grijă la destinderea acesteia.** Atunci când este eliminată tensiunea din fibrele lemnului, ramura arcuită poate lovi operatorul și/sau produce pierderea controlului asupra ferăstrăului cu lanț.
- Fiți extrem de precauți atunci când tăiați tufișuri sau pomi tineri.** Materialul suplu poate prinde lanțul ferăstrăului și poate fi biciuit către dumneavoastră sau vă poate trage și dezechilibra.
- Transportați ferăstrăul cu lanț ținându-l de mânerul din față, oprit și la depărtare de corpul dumneavoastră. Întotdeauna montați capacul barei de ghidaj când transportați sau depozitați ferăstrăul cu lanț.** Manipularea adecvată a ferăstrăului cu lanț va reduce probabilitatea contactului accidental cu lanțul în mișcare al ferăstrăului.
- Respectați instrucțiunile pentru lubrifiere, tensiunea lanțului și schimbarea accesoriilor.** Lanțul tensionat sau lubrifiat necorespunzător se poate rupe sau poate crește posibilitatea producerii unui recul.
- Țineți mânerul uscat, curat și fără ulei sau vaselină.** Mânerul umed, uleios sau alunecos poate produce pierderea controlului.
- Tăiați numai lemn. Nu folosiți ferăstrăul cu lanț în alte scopuri decât cele pentru care a fost destinat. De exemplu: nu utilizați ferăstrăul cu lanț pentru tăierea plasticului, zidăriei sau materialelor de construcție care nu sunt lemnoase.** Utilizarea ferăstrăului pentru operațiuni diferite față de cele pentru care a fost destinat poate avea ca rezultat producerea unei situații periculoase.
- Cauzele și modul de prevenire al reculului:** Reculul poate apărea când nasul sau vârful barei de ghidare atinge un obiect sau când lemnul se strânge și prinde lanțul ferăstrăului în tăietură. În unele cazuri, contactul vârfului poate produce o reacție inversă neașteptată, smucind bara de ghidare în sus și înapoi, pe direcția operatorului. Strangularea lanțului ferăstrăului de-a lungul părții superioare a barei de ghidare poate împinge brusc bara de ghidare înapoi spre operator. Oricare dintre aceste reacții poate produce pierderea controlului asupra ferăstrăului, ceea ce poate produce vătămarea corporală gravă. Nu vă bazați exclusiv pe dispozitivele de siguranță încorporate în ferăstrău. Ca utilizator de ferăstrău cu lanț, trebuie să parcurgeți câteva etape pentru a menține activitatea de tăiere fără accidente sau răni.

Recul este rezultatul utilizării incorecte a mașinii și/ sau al procedeeilor sau condițiilor de lucru necorespunzătoare, putând fi evitat prin adoptarea unor măsuri de precauție adecvate prezentate în continuare:

— **Mențineți o prindere fermă, cu degetul mare și degetele înconjurând mânerul ferăstrăului cu lanț, cu ambele mâini pe fierăstrău și poziționați-vă corpul și brațul astfel încât să vă permită să rezistați la forțele de recul.** Forțele de recul pot fi controlate de către operator, dacă sunt luate măsurile de precauție adecvate. Nu scăpați fierăstrăul cu lanț.

► Fig.1

— **Nu depășiți nivelul umărului și nu efectuați tăieri deasupra înălțimii umărului.** Acest lucru ajută la prevenirea contactului accidental cu vârful și permite un control mai bun al lanțului de ferăstrău în situații neprevăzute.

— **Utilizați doar lamele și lanțurile de schimb specificate de producător.** Lamele și lanțurile de schimb incorecte pot cauza ruperea lanțului și/sau recul.

— **Pentru ascuțirea și întreținerea ferăstrăului cu lanț, respectați instrucțiunile producătorului.** Scăderea înălțimii indicatorului de adâncime poate conduce la recul mărit.

- Înainte de începerea lucrului, verificați dacă ferăstrăul cu lanț funcționează corespunzător și dacă starea acestuia corespunde normelor de tehnică a securității. Verificați în special dacă:
 - Frâna de lanț funcționează corect;
 - Frâna de siguranță funcționează corect;
 - Lama și apărătoarea roții de lanț sunt instalate corect;
 - Lanțul a fost ascuțit și tensionat în conformitate cu reglementările;
- Nu porniți ferăstrăul cu lanț cu apărătoarea de lanț instalată pe acesta.** Pornirea ferăstrăului cu lanț cu apărătoarea de lanț instalată poate duce la proiectarea în față a acesteia, rezultând răni și deteriorări ale obiectelor din jurul operatorului.

Avertismente specifice privind siguranța pentru ferăstrăul cu lanț cu mâner superior

- Acest ferăstrău cu lanț este conceput special pentru îngrijirea și tunderea copacilor. Ferăstrăul cu lanț este destinat utilizării doar de către persoane instruite în mod corespunzător. Respectați toate instrucțiunile, procedurile și recomandările organizației profesionale relevante. În caz contrar, pot avea loc accidente. Se recomandă să folosiți întotdeauna o platformă de ridicare (elevator, lift) pentru tăierea cu ferăstrăul în copaci. Tehnicile de rapel sunt extrem de periculoase și necesită instruire specială. Operatorii trebuie instruiți pentru a se familiariza cu utilizarea în siguranță a echipamentului și tehnicile de cățărare. Folosiți întotdeauna centurile, frânghiile și carabinele corespunzătoare când lucrați în copaci. Folosiți întotdeauna echipament de fixare atâț pentru operator, cât și pentru ferăstrău.

- Efectuați curățarea și întreținerea înainte de depozitare, în conformitate cu manualul de instrucțiuni.
- Asigurați o poziționare sigură a ferăstrăului cu lanț în timpul transportului cu mașina pentru a evita scurgerile de carburant sau ulei de lanț, avarierea mașinii și accidentarea.
- Verificați în mod regulat funcționarea frânei de lanț.
- Nu umpleți cu ulei de lanț în apropierea unei surse de foc. Nu fumați niciodată când umpleți cu ulei de lanț.
- Reglementările naționale pot restricționa utilizarea ferăstrăului cu lanț.
- Dacă echipamentul suferă un impact puternic sau o cădere, verificați starea acestuia înainte de a continua lucrul. Verificați dacă dispozitivele de comandă și siguranță prezintă defecțiuni. Dacă există semne de deteriorări sau aveți dubii, contactați centrul nostru de service autorizat pentru inspecție și reparații.
- Activați întotdeauna frâna de lanț înainte de a porni ferăstrăul cu lanț.
- Țineți ferăstrăul ferm în poziție pentru a evita alunecarea (deraparea) sau saltul ferăstrăului atunci când începeți o tăietură.
- La sfârșitul operației de tăiere, aveți grijă să vă mențineți echilibrul din cauza "căderii".
- Luăți în calcul direcția și viteza vântului. Evitați rumegușul și ceața de ulei de lanț.

Echipament de protecție

- Pentru a evita leziunile la cap, ochi, mâini sau picioare precum și pentru a vă proteja auzul, în timpul folosirii ferăstrăului cu lanț trebuie purtat următorul echipament de protecție:**
 - Îmbrăcămintea trebuie să fie potrivită, adică nici prea largă nici prea strânsă. Nu purtați bijuterii sau haine care se pot agăța în tușuri sau lăstăriș. Dacă aveți păr lung, purtați întotdeauna o protecție pentru păr!
 - Este necesar să purtați o cască de protecție ori de câte ori lucrați cu ferăstrăul cu lanț. **Casca de protecție** trebuie verificată la intervale regulate pentru depistarea deteriorărilor și trebuie înlocuită la o perioadă de cel mult 5 ani. Utilizați numai căști de protecție omologate.
 - Scutul de față** al căștii de protecție (sau ochelarii de protecție) vă protejează de rumeguș și talaș. În timpul folosirii ferăstrăului cu lanț purtați întotdeauna ochelarii de protecție sau un scut de față pentru a preveni leziunile la nivelul ochilor.
 - Purtați echipament adecvat **de protecție împotriva zgomotului** (amortizoare pentru urechi, dopuri de urechi, etc.).
 - Jacheta de protecție** este alcătuită din 22 de straturi de nailon și protejează operatorul împotriva tăieturilor. Aceasta trebuie purtată întotdeauna la lucru pe platforme ridicate (elevatoare, lifouri), pe schele sau când vă cățărați pe frânghii.
 - Salopeta de protecție cu bretele** este confecționată din țesătură de nailon cu 22 de straturi și protejează contra tăieturilor. Vă recomandăm insistent utilizarea sa.
 - Mănușile de protecție** confecționate din piele groasă sunt o parte a echipamentului recomandat și trebuie întotdeauna purtate în timpul operării ferăstrăului cu lanț.

- În timpul operării ferăstrăului cu lanț, trebuie să purtați întotdeauna **încălțăminte de siguranță** sau **bocanci de siguranță** cu talpă antiderapantă, vârf acoperit cu oțel și protecție pentru picior. Încălțăminte de siguranță echipată cu un strat protector oferă protecție împotriva tăieturilor și asigură un mers sigur. Pentru lucrul în copaci, bocancii de siguranță trebuie să fie potriviți pentru tehnicile de cățărare.

Vibrații

1. Persoanele cu probleme circulatorii expuse la vibrații excesive pot suferi leziuni ale vaselor sanguine sau ale sistemului nervos. Vibrațiile pot provoca următoarele simptome la nivelul degetelor, mâinilor sau articulațiilor mâinilor: "amorțeală" (insensibilitate), furnicături, durere, înțepături, modificarea culorii sau texturii pielii. **Dacă prezentați unul dintre aceste simptome, consultați medicul!** Pentru a reduce riscul apariției "sindromului degetelor albe", păstrați-vă mâinile calde în timpul utilizării și întrețineți în mod corect echipamentul și accesoriile.

PĂSTRAȚI ACESTE INSTRUCȚIUNI.

⚠️ AVERTIZARE: NU permiteți comodității și familiarizării cu produsul (obținute prin utilizare repetată) să înlocuiască respectarea strictă a normelor de securitate pentru acest produs. FOLOSIREA INCORECTĂ sau nerespectarea normelor de securitate din acest manual de instrucțiuni poate provoca vătămări corporale grave.

INSTRUCȚIUNI IMPORTANTE PRIVIND SIGURANȚA

PENTRU CARTUȘUL ACUMULATORULUI

1. Înainte de a folosi cartușul acumulatorului, citiți toate instrucțiunile și atenționările de pe (1) încarcătorul acumulatorului, (2) acumulator și (3) produsul care folosește acumulatorul.
2. Nu dezmembrați cartușul acumulatorului.
3. Dacă timpul de funcționare s-a redus excesiv, întrerupeți imediat funcționarea. Aceasta poate prezenta risc de supraîncălzire, posibile arsuri și chiar explozie.
4. Dacă electrolitul pătrunde în ochi, clătiți bine ochii cu apă curată și consultați imediat un medic. Există risc de orbire.
5. Nu scurtcircuitați cartușul acumulatorului:
 - (1) Nu atingeți bornele cu niciun material conductor.
 - (2) Evitați depozitarea cartușului acumulatorului la un loc cu alte obiecte metalice cum ar fi cuie, monede etc.
 - (3) Nu expuneți cartușul acumulatorului la apă sau ploaie.

Un scurtcircuit al acumulatorului poate provoca un flux puternic de curent electric, supraîncălzire, posibile arsuri și chiar defectarea mașinii.

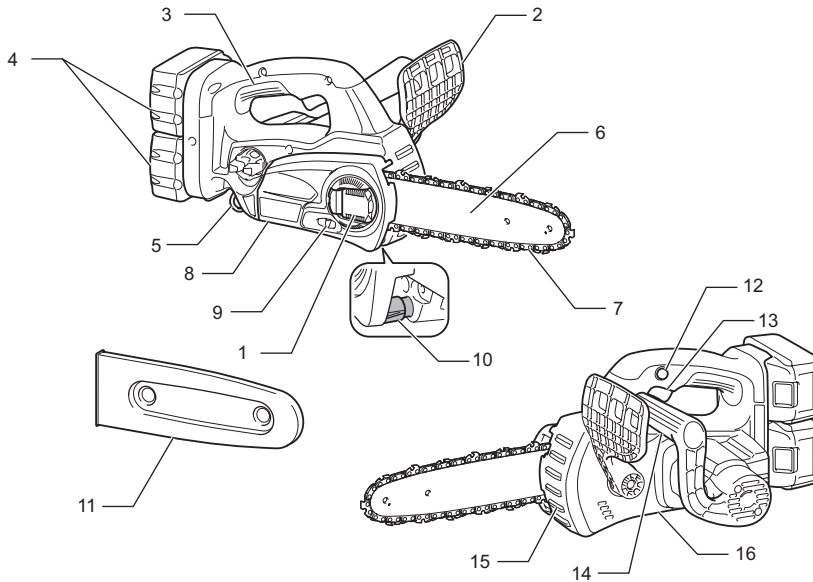
6. Nu depozitați mașina și cartușul acumulatorului în spații în care temperatura poate atinge sau depăși 50°C (122°F).
7. Nu incinerati cartușul acumulatorului chiar dacă acesta este grav deteriorat sau complet uzat. Cartușul acumulatorului poate exploda în foc.
8. Aveți grijă să nu scăpați pe jos sau să loviți acumulatorul.
9. Nu folosiți un acumulator uzat.
10. Respectați normele naționale privind eliminarea la deșeurile a acumulatorului.

PĂSTRAȚI ACESTE INSTRUCȚIUNI.

Sfaturi pentru obținerea unei durate maxime de exploatare a acumulatorului

1. Încărcați cartușul acumulatorului înainte de a se descărca complet. Întrerupeți întotdeauna funcționarea mașinii și încărcați cartușul acumulatorului când observați o scădere a puterii mașinii.
2. Nu reîncărcați niciodată un acumulator complet încărcat. Supraîncărcarea va scurta durata de exploatare a acumulatorului.
3. Încărcați cartușul acumulatorului la temperatura camerei, între 10°C - 40°C (50°F - 104°F). Lăsați un acumulator fierbinte să se răcească înainte de a-l încărca.
4. Încărcați cartușul acumulatorului o dată la fiecare șase luni dacă nu îl utilizați pentru o perioadă lungă de timp.

DESCRIERE COMPONENTE



1	Pârghie	2	Apărătoare anterioară pentru mână	3	Mâner superior
4	Cartușul acumulatorului	5	Inel oblong (punct de atașare a frânghiei)	6	Lamă de ghidare
7	Lanț de ferăstrău	8	Capacul roții de lanț	9	Rondelă de reglare
10	Opritor de lanț	11	Capac lamă de ghidare	12	Buton de deblocare
13	Trăgaciul întrerupătorului	14	Mâner frontal	15	Bară de protecție dințată
16	Șurub de reglare pentru pompa de ulei (în partea inferioară)	-	-	-	-

DESCRIERE FUNCȚIONALĂ

⚠️ ATENȚIE:

- Asigurați-vă întotdeauna că mașina este oprită și cartușul acumulatorului este scos înainte de a ajusta sau verifica funcționarea mașinii.

Instalarea sau scoaterea cartușului acumulatorului

- Fig.2: 1. Indicator roșu 2. Buton 3. Cartușul acumulatorului

⚠️ ATENȚIE:

- Opriti întotdeauna unealta înainte de montarea sau demontarea cartușului de acumulator.
- Țineți ferm mașina și cartușul acumulatorului la montarea sau demontarea cartușului.** În caz contrar, acestea vă pot aluneca din mâini, rezultând defectarea lor și posibilele accidentări.

Pentru a scoate cartușul acumulatorului, glisați-l din unealtă în timp ce glisați butonul de pe partea frontală a cartușului.

Pentru a instala cartușul acumulatorului, aliniați limba de pe cartușul acumulatorului cu canelura din carcasă și introduceți-l în locaș. Introduceți-l complet, până când se înclichetează în locaș. Dacă puteți vedea indicatorul roșu din partea superioară a butonului, acesta nu este blocat complet.

⚠️ ATENȚIE:

- Instalați întotdeauna cartușul acumulatorului complet, până când indicatorul roșu nu mai este vizibil. În caz contrar, acesta poate cădea accidental din mașină provocând rănirea dumneavoastră sau a persoanelor din jur.
- Nu forțați cartușul de acumulator la montare. Dacă acesta nu glisează ușor, înseamnă că a fost introdus incorect.

NOTĂ:

- Mașina nu funcționează doar cu un singur cartuș de acumulator.

Sistem de protecție mașină/ acumulator

Mașina este prevăzută cu un sistem de protecție mașină/ acumulator. Sistemul întrerupe automat alimentarea motorului pentru a extinde durata de viață a mașinii și acumulatorului.

Mașina se va opri automat în timpul funcționării când mașina sau acumulatorul se află într-una din situațiile următoare. În unele situații, indicatoarele luminează.

Protecție la suprasarcină

Când mașina este utilizată într-un mod care duce la un consum exagerat de curent, mașina se va opri fără nicio indicație. În această situație, opriți mașina și aplicați care a dus la supraîncărcarea mașinii. Apoi opriți mașina pentru a reporni.

Protecția la supraîncălzire pentru acumulator/mașină

Când acumulatorul/mașina se supraîncălzește, mașina se oprește automat fără nicio indicație. Mașina nu va mai porni chiar dacă apăsați butonul declanșator. În această situație, lăsați mașina/acumulatorul să se răcească înainte de a reporni mașina.

NOTĂ: Protecția împotriva supraîncălzirii acumulatorului funcționează doar cu un cartuș de acumulator prevăzută cu un marcaj în stea.

- Fig.3: 1. Marcaj în stea

Protecția la supradescărcare

- Fig.4: 1. Indicator acumulator

Când capacitatea rămasă a acumulatorului se reduce, indicatorul de acumulator luminează intermitent pe partea laterală a acumulatorului. Dacă este utilizată în continuare, mașina se va opri, iar indicatorul de acumulator va lumina timp de aproximativ 10 de secunde. În această situație, încărcați cartușul acumulatorului.

Indicarea capacității rămase a acumulatorului

Numai pentru cartușe de acumulator cu indicator

- Fig.5: 1. Lămpi indicatoare 2. Buton de verificare

Apăsați butonul de verificare de pe cartușul acumulatorului, astfel încât să se indice capacitățile rămase ale acumulatorului. Lămpile indicatorului vor lumina timp de câteva secunde.

Lămpi indicatoare			Capacitate rămasă
Iluminat	Oprit	Iluminare intermitentă	
■	□	◐	între 75% și 100%
■	■	□	între 50% și 75%
■	■	□	între 25% și 50%
■	□	□	între 0% și 25%
◐	□	□	Încărcați acumulatorul.
■	■	□	Este posibil ca acumulatorul să fie defect.
□	□	■	

NOTĂ: În funcție de condițiile de utilizare și temperatura ambientală, indicația poate fi ușor diferită de capacitatea reală.

Aționarea întrerupătorului

⚠️ ATENȚIE:

- Înainte de a monta cartușul acumulatorului în unealtă, verificați întotdeauna dacă butonul declanșator funcționează corect și revine în poziția "OFF" (oprit) când este eliberat.

- Fig.6: 1. Buton de deblocare 2. Declanșator întrerupător

Pentru a preveni acționarea accidentală a butonului declanșator este prevăzută un buton de deblocare. Pentru a porni mașina, apăsați butonul de deblocare și acționați butonul declanșator. Eliberați butonul declanșator pentru a opri mașina.

Verificarea frânei de lanț

NOTĂ:

- Dacă ferăstrăul cu lanț nu pornește, trebuie eliberată frâna de lanț. Trageți puternic înapoi apărătoarea frontală a mâinii până când sesizați că se cuplează.

Țineți ferăstrăul cu lanț cu ambele mâini atunci când îl porniți. Apucați mânerul superior cu mâna dreaptă și mânerul frontal cu mâna stângă. Lama și lanțul nu trebuie să fie în contact cu niciun obiect.

Apăsăți întâi butonul de deblocare și apoi butonul declanșator. Lanțul de ferăstrău pornește imediat.

- **Fig.7:** 1. Apărătoare anterioară pentru mână
2. Blocat 3. Deblocat

Împingeți apărătoarea frontală a mâinii înainte cu spațele mâinii. Lanțul de ferăstrău trebuie să se oprească imediat.

ATENȚIE:

- Dacă lanțul de ferăstrău nu se oprește imediat la executarea acestui test, nu este permisă în niciun caz utilizarea ferăstrăului. Consultați un atelier de reparații specializat MAKITA.

Verificarea frânei de siguranță

Porniți ferăstrăul cu lanț.

Eliberați complet butonul declanșator. Lanțul de ferăstrău trebuie să se oprească în interval de o secundă.

ATENȚIE:

- Dacă lanțul de ferăstrău nu se oprește în interval de o secundă la executarea acestui test, nu este permisă utilizarea ferăstrăului. Consultați un atelier de reparații specializat MAKITA.

Reglarea lubrifierii lanțului

- **Fig.8:** 1. Șurub de reglare

Puteți regla debitul pompei de ulei cu ajutorul șurubului de reglare. Cantitatea de ulei poate fi reglată folosind cheia universală.

Inel oblong (punct de atașare a frânghiei)

- **Fig.9**

Inelul oblong (punct de atașare a frânghiei) este utilizat la agățarea uneltei. Înainte de utilizarea inelului oblong, trageți de acesta în afară și legați-l cu o frânghie.

MONTARE

ATENȚIE:

- Asigurați-vă întotdeauna că mașina este oprită și cartușul acumulatorului este scos înainte de a executa orice lucrări la mașină.

Demontarea sau montarea lanțului de ferăstrău

ATENȚIE:

- Purtați întotdeauna mănuși atunci când montați sau demontați lanțul de ferăstrău.
- Lanțul de ferăstrău și lama de ghidare sunt în continuare fierbinți după operare. Lăsați-le să se răcească suficient înainte de a efectua orice lucrări pe mașină.

Pentru a demonta lanțul de ferăstrău, efectuați pașii de mai jos:

1. Apăsăți și deschideți complet pârghia până când aceasta se oprește.

- **Fig.10:** 1. Capacul roții de lanț 2. Pârghie

2. Rotiți rondela de reglare în direcția “-” pentru a reduce tensionarea lanțului de ferăstrău.

- **Fig.11:** 1. Rondelă de reglare

3. Rotiți pârghia în sens invers acelor de ceasornic pentru a slăbi apărătoarea roții de lanț, până când aceasta se desprinde.

4. Îndepărtați apărătoarea roții de lanț.

5. Demontați lanțul de ferăstrău și lama de ghidare de pe ferăstrăul cu lanț.

Pentru a monta lanțul de ferăstrău, efectuați pașii de mai jos:

6. Asigurați-vă că respectați direcția lanțului. Marcajul cu săgeată de pe lanț indică direcția lanțului.

- **Fig.12:** 1. Roată de lanț

7. Montați un capăt al lanțului de ferăstrău în partea de sus a lamei de ghidare și celălalt capăt în jurul roții de lanț.

8. Poziționați lama de ghidare pe ferăstrăul cu lanț.

9. Rotiți rondela de reglare în direcția “-” pentru a deplasa știftul de reglare în direcția săgeții.

- **Fig.13:** 1. Știft de reglare

10. Amplasați capacul roții dințate pe lanțul de ferăstrău, astfel încât știftul de reglare să fie poziționat într-un orificiu mic pe bara de ghidare.

- **Fig.14:** 1. Orificiu 2. Lamă de ghidare

11. Rotiți pârghia complet în sensul acelor de ceasornic și un sfert de rotire înapoi pentru reglarea tensiunii lanțului.

12. Rotiți rondela de reglare pentru a regla tensionarea lanțului.

13. Rotiți pârghia în sensul acelor de ceasornic pentru a fixa apărătoarea roții de lanț.

- **Fig.15:** 1. Capacul roții de lanț 2. Pârghie

14. Apăsăți și readuceți pârghia în poziția inițială.

Reglarea tensionării lanțului de ferăstrău

Lanțul de ferăstrău se poate detensiona după mai multe ore de utilizare. Verificați din când în când tensionarea lanțului de ferăstrău înainte de utilizare.

1. Apăsăți și deschideți complet pârghia până la auzirea unui clic. Rotiți-o puțin în sens invers acelor de ceasornic pentru a elibera ușor apărătoarea roții de lanț.

- **Fig.16:** 1. Capacul roții de lanț 2. Pârghie

2. Ridicați ușor vârful lamei de ghidare.

- **Fig.17:** 1. Deșurubați 2. Strângere 3. Rondelă de reglare 4. Lamă de ghidare 5. Lanț de ferăstrău

3. Rotiți rondela de reglare pentru a regla tensiunea lanțului de ferăstrău. Strângeți lanțul de ferăstrău până când partea de jos a lanțului de ferăstrău intră în șina lamei de ghidare (vezi cercul din figură).
4. Continuați să țineți ușor lama de ghidare și strângeți apărătoarea roții de lanț după reglarea tensiunii lanțului. Asigurați-vă că lanțul de ferăstrău nu este slăbit în partea de jos.
5. Apăsați și readuceți pârghia în poziția inițială.

► **Fig.18:** 1. Capacul roții de lanț 2. Pârghie

Asigurați-vă că lanțul de ferăstrău se fixează ferm pe partea inferioară a lamei.

ATENȚIE:

- Nu strângeți excesiv lanțul de ferăstrău. Tensionarea excesivă a lanțului de ferăstrău poate provoca ruperea acestuia, uzarea lamei de ghidare și ruperea rondelei de reglare.
- Un lanț prea slăbit poate sări de pe lamă, prezentând așadar pericol de accidentare.
- Efectuați procedeul de montare sau demontare a lanțului de ferăstrău într-un loc curat, fără rumeguș sau alte materii asemănătoare.

Bară de protecție dințată (accesoriu opțional)

► **Fig.19**

Pentru a instala bara de protecție dințată, parcurgeți următorii pași:

1. Înlăturați capacul roții de lanț, lanțul ferăstrăului și lama de ghidare conform descrierii din acest manual de instrucțiuni.
2. Așezați bara de protecție dințată cu dinții orientați în sus, astfel încât orificiile acesteia să se alinieze cu orificiile prevăzute pe ferăstrăul cu lanț.
3. Strângeți bara de protecție dințată cu cele două șurubelnițe furnizate.

FUNCȚIONARE

ATENȚIE: Nu acoperiți orificiile de aerisire, în caz contrar mașina se poate supraîncălzi și defecta.

Lubrifierea

► **Fig.20:** 1. Bușon rezervor ulei 2. Geam de verificare a nivelului de ulei (pentru reumplerea rezervorului cu ulei) 3. Vizor de inspecție a uleiului

Lanțul de ferăstrău este lubrifiat automat atunci când mașina este în funcțiune.

Verificați cantitatea de ulei rămasă în rezervor prin vizorul de inspecție a uleiului.

Pentru a reumple rezervorul, scoateți bușonul de la orificiul rezervorului de ulei.

După reumplerea rezervorului, înșurubați întotdeauna bușonul livrat al rezervorului de ulei pe ferăstrăul cu lanț.

ATENȚIE:

- Atunci când alimentați ferăstrăul cu lanț pentru prima dată cu ulei de lanț sau când reumpleți rezervorul după golirea completă a acestuia, turnați ulei până la marginea inferioară a gâtului de umplere. În caz contrar, alimentarea cu ulei poate fi defectuoasă.
- Utilizați întotdeauna ulei pentru Makita sau ulei disponibil pe piață ca ulei pentru ferăstraiele cu lanț.
- Nu utilizați niciodată ulei cu praf sau particule sau ulei volatil.
- Când curățați arborii de crengi, utilizați întotdeauna ulei vegetal. Uleiul mineral poate fi dăunător pentru pomii.
- Nu forțați ferăstrăul cu lanț când curățați pomii de crengi.
- Înainte de tăiere, asigurați-vă că bușonul livrat al rezervorului de ulei este înșurubat la locul său.

► **Fig.21**

Țineți ferăstrăul cu lanț la distanță de pom. Porniți-l și așteptați până când lanțul de ferăstrău este lubrifiat corespunzător.

Aduceți bara de protecție dințată în contact cu creanga de tăiat înainte de a porni mașina. În caz contrar, lama de ghidare poate oscila, rezultând rănirea operatorului. Tăiați lemnul care trebuie tăiat prin simpla deplasare spre în jos a ferăstrăului cu lanț.

LUCRUL CU FERĂSTRĂUL CU LANȚ

Tăierea pomilor

► **Fig.22:** 1. Bară de protecție dințată

ATENȚIE:

- Feriți toate părțile corpului din calea lanțului de ferăstrău în timpul funcționării motorului.
- Țineți ferm ferăstrăul cu lanț cu ambele mâini în timpul funcționării motorului.
- Nu vă întindeți excesiv. Mențineți-vă permanent echilibrul și sprijiniți-vă ferm pe picioare.

Aduceți bara de protecție dințată în contact cu creanga de tăiat înainte de a porni mașina. Executarea tăierii fără aducerea barei de protecție dințată în contact cu creanga poate provoca oscilația lamei de ghidare și vătămarea operatorului.

► **Fig.23**

Atunci când tăiați crengi groase, executați întâi o scurtă tăietură de jos și apoi executați tăierea finală de sus.

► **Fig.24**

Dacă încercați să tăiați crengi groase de jos în sus, creanga se poate lăsa în jos și poate strânge lanțul de ferăstrău în tăietură.

Dacă încercați să tăiați crengi groase de sus în jos, fără a executa o tăietură scurtă de jos, creanga se poate despică.

► **Fig.25**

Dacă nu puteți tăia complet buștenii dintr-o singură mișcare:

Aplicați o ușoară presiune asupra mânerului și continuați să tăiați trăgând puțin înapoi ferăstrăul cu lanț; apoi aplicați gheara puțin mai jos și terminați tăierea prin ridicarea mânerului.

Transportarea mașinii

- **Fig.26:** 1. Capac lamă de ghidare 2. Capacul acumulatorului

Scoateți întotdeauna cartușul acumulatorului din mașină și acoperiți lama de ghidare cu apărătoarea pentru lamă de ghidare înainte de a transporta mașina. De asemenea, acoperiți cartușul acumulatorului cu capacul acumulatorului.

ÎNȚREȚINERE

⚠ATENȚIE:

- Asigurați-vă întotdeauna că mașina este oprită și cartușul acumulatorului este scos înainte de a executa lucrările de inspecție și întreținere.
- Purați întotdeauna mănuși când executați orice lucrare de inspecție și întreținere.
- Nu utilizați niciodată gazolină, benzină, diluant, alcool sau alte substanțe asemănătoare. În caz contrar, pot rezulta decolorări, deformări sau fisuri.

Ascuțirea lanțului de ferăstrău

⚠ATENȚIE:

- Scoateți întotdeauna cartușul acumulatorului și purtați mănuși de protecție atunci când executați lucrări la lanțul de ferăstrău.

- **Fig.27**

Ascuțiți lanțul de ferăstrău atunci când:

- La tăierea lemnului umed se produce rumeguș făinos;
- Lanțul penetrează lemnul cu dificultate, chiar dacă se aplică o forță puternică;
- Muchiile tăietoare sunt deteriorate vizibil;
- Ferăstrăul trage spre stânga sau spre dreapta la tăierea lemnului. Cauza acestui comportament este ascuțirea neuniformă a lanțului de ferăstrău, sau deteriorarea unei singure laturi.

Ascuțiți frecvent lanțul de ferăstrău, însă îndepărtați doar o cantitate mică de material de fiecare dată.

Două sau trei curse ale pilei sunt suficiente de obicei pentru o ascuțire de rutină. După ce lanțul de ferăstrău a fost reascuțit de mai multe ori, solicitați ascuțirea acestuia la un atelier de reparații specializat MAKITA.

Criterii de ascuțire:

- Toate lungimile de cuțite trebuie să fie egale. Cuțitele cu lungimi diferite nu permit funcționarea lină a lanțului și pot provoca ruperea acestuia.
- Nu ascuțiți lanțul după atingerea unei lungimi minime a cuțitului de 3 mm. În acest caz trebuie instalat un lanț nou.

- Grosimea așchii este determinată de distanță dintre calibrul de adâncime (ciocul rotund) și muchia tăietoare.
- Cele mai bune rezultate de tăiere se obțin cu următoarea distanță între muchia de tăiere și calibrul de adâncime.
 - Pânză lanț 90PX: 0,5 mm
 - Pânză lanț 91PX: 0,65 mm
 - Pânză lanț 25AP: 0,65 mm

- **Fig.28:** 1. Lungime de tăiere 2. Distanță dintre marginea de tăiere și calibrul de adâncime 3. Minimum 3 mm

⚠AVERTIZARE:

- O distanță prea mare sporește riscul de recul.
- Unghiul de ascuțire de 30° trebuie să fie identic pe toate cuțitele. Diferențele între unghiuri cauzează o funcționare neuniformă a lanțului și uzare accelerată a acestuia, conducând la ruperea lanțului.
- Unghiul plăcii laterale a cuțitului este determinat de adâncimea de penetrare a pilei rotunde. Dacă pila specificată este utilizată corect, unghiul corect al plăcii laterale se obține automat.
- Unghiul plăcii laterale pentru fiecare lanț de ferăstrău este următorul:
 - Pânză lanț 90PX: 75°
 - Pânză lanț 91PX: 80°
 - Pânză lanț 25AP: 85°

- **Fig.29:** 1. Unghi placă laterală

Pila și ghidarea pilei

- Utilizați pentru ascuțirea lanțului o pilă rotundă specială (accesoriu opțional) pentru lanțuri de ferăstrău. Pilele rotunde normale nu sunt adecvate.
- Diametrul pilei rotunde pentru fiecare lanț de ferăstrău este următorul:
 - Pânză lanț 90PX: 4,5 mm
 - Pânză lanț 91PX: 4,0 mm
 - Pânză lanț 25AP: 4,0 mm
- Pila trebuie să intre în contact cu cuțitul numai la cursa de avans. Ridicați pila de pe cuțit la cursa de revenire.
- Ascuțiți întâi cuțitul cel mai scurt. Apoi, lungimea acestui cel mai scurt cuțit devine standard pentru toate celelalte cuțite de pe lanțul de ferăstrău.

- **Fig.30**

- Ghidați pila după cum se vede în figură.
- Pila poate fi ghidată mai ușor dacă se folosește un suport de pilă (accesoriu opțional). Suportul de pilă dispune de marcaje pentru unghiul corect de ascuțire de 30° (alineați marcajele paralel cu lanțul de ferăstrău) și limitează adâncimea de penetrare (la 4/5 din diametrul pilei).

- **Fig.31**

- După ascuțirea lanțului, verificați înălțimea calibrului de adâncime utilizând instrumentul de etalonare a lanțului (accesoriu opțional).

- **Fig.32**

- Îndepărtați orice proeminență de material, oricât de mică, cu o pilă plată specială (accesoriu opțional).
- Rotunjiți din nou muchia frontală a calibrului de adâncime.

Curățarea lamei de ghidare

► Fig.33

Așchiile și rumegușul se vor acumula în canelura lamei de ghidare, ancrasând-o și perturbând fluxul de ulei. Eliminați întotdeauna așchiile și rumegușul atunci când ascuțiți sau înlocuiți lanțul de ferăstrău.

Curățarea orificiului de evacuare ulei

În timpul funcționării, în orificiul de evacuare a uleiului se pot acumula particulele mici de praf sau impurități. Particulele de praf sau impuritățile acumulate în orificiul de evacuare a uleiului pot perturba fluxul de evacuare a uleiului și pot cauza o lubrifiere insuficientă a întregului lanț de ferăstrău.

Dacă intervine o alimentare defectuoasă cu ulei de lanț a lamei de ghidare, curățați orificiul de evacuare a uleiului după cum urmează.

Scoateți cartușul acumulatorului din mașină.

Demontați apărătoarea roții de lanț și lanțul de ferăstrău de pe mașină. (Consultați paragraful intitulat "Montarea sau demontarea lanțului de ferăstrău".)

► Fig.34: 1. Șurubelniță cu cap crestat

Îndepărtați particulele mici sau praful utilizând o șurubelniță cu vârf plat în combinație cu o tijă subțire sau ceva asemănător.

Introduceți în mașină cartușul acumulatorului.

Trageți butonul declanșator pentru a elimina, prin scurgerea uleiului de lanț, particulele de praf sau impurități acumulate în orificiul de evacuare a uleiului.

Scoateți cartușul acumulatorului din mașină.

Reinstalați apărătoarea roții de lanț și lanțul de ferăstrău pe mașină.

Înlocuirea roții de lanț

► Fig.35: 1. Roată de lanț 2. Inel de blocare

Înainte de a instala un lanț de ferăstrău nou, verificați starea roții de lanț.

⚠ ATENȚIE:

- O roată de lanț uzată va deteriora un lanț de ferăstrău nou. În acest caz, înlocuiți roata de lanț. Roata de lanț trebuie montată astfel încât să arate întotdeauna la fel ca în figură.

► Fig.36: 1. Inel de blocare 2. Roată de lanț

Instalați întotdeauna un inel de blocare nou atunci când înlocuiți roata de lanț.

Înlocuirea periiilor de carbon

► Fig.37: 1. Marcaj limită

Detashați periiile de carbon și verificați-le în mod regulat. Schimbați-le atunci când s-au uzat până la marcajul limită. Periiile de carbon trebuie să fie în permanență curate și să alunece ușor în suport. Ambele perii de carbon trebuie să fie înlocuite simultan cu alte perii identice.

► Fig.38: 1. Capacul suportului pentru perii 2. Șurubelniță

Folosiți o șurubelniță pentru a îndepărta capacul suportului periiilor de carbon. Scoateți periiile de carbon uzate și fixați capacul pentru periiile de carbon.

Depozitarea mașinii

Curățați mașina înainte de depozitării. Îndepărtați așchiile și rumegușul de pe mașină după ce ați demontat apărătoarea roții de lanț. După curățarea mașinii, utilizați mașina în gol pentru a lubrifia lanțul de ferăstrău și lama de ghidare.

Acoperiți lama de ghidare cu apărătoarea pentru lamă de ghidare.

Eliminați uleiul din rezervorul de ulei pentru a-l goli și poziționați lanțul de ferăstrău.

Pentru a menține siguranța și fiabilitatea mașinii, reparațiile și reglajele trebuie să fie efectuate numai la Centrele de service autorizat Makita, folosindu-se piese de schimb Makita.

Instrucțiuni de întreținere periodică

Pentru a asigura o durată mare de viață, a preveni deteriorarea și a asigura funcționarea deplină a dispozitivelor de siguranță, următoarele operații de întreținere trebuie efectuate cu regularitate.

Solicitările de garanție pot fi luate în considerare numai dacă aceste lucrări sunt efectuate regulat și corespunzător.

Nerespectarea efectuării lucrărilor de întreținere prescrise poate duce la accidente!

Utilizatorul ferăstrăului cu lanț nu trebuie să efectueze lucrări de întreținere care nu sunt descrise în acest manual de instrucțiuni. Orice astfel de lucrări trebuie executate de un atelier de service autorizat.

Element	Descriere	Înainte de operare	Zilnic	Săptămânal	La fiecare 3 luni	Annual	Înainte de depozitare
Ferăstrău cu lanț	Inspecție.	○					
	Curățarea.		○				
	Verificați la un centru de service autorizat.					○	○
Lanț de ferăstrău	Inspecție.	○					
	Ascutiți, dacă este necesar.						○
Lamă de ghidare	Inspecție.	○	○				
	Înlăturați de pe ferăstrăul cu lanț.						○
Frână de lanț	Verificați funcționarea.	○					
	A se verifica regulat la un atelier de service autorizat.				○		
Ungerea lanțului	Verificați rata de alimentare cu ulei.	○					
Trăgaciul întrerupătorului	Inspecție.	○					
Buton de deblocare	Inspecție.	○					
Bușon rezervor ulei	Verificați etanșeitatea.	○					
Opritor de lanț	Inspecție.			○			
Șuruburi și piulițe	Inspecție.			○			

DEPANARE

Înainte de a solicita reparații, efectuați mai întâi propria inspecție. În cazul în care găsiți o problemă care nu este explicată în manual, nu încercați să demontați echipamentul. În schimb, adresați-vă Centrelor de service autorizate Makita, utilizând întotdeauna piese de schimb Makita pentru reparații.

Stare defecțiune	Cauza	Acțiune
Ferăstrăul cu lanț nu pornește.	Două cartușe de acumulator nu sunt montate.	Montați cartușele de acumulator încărcate.
	Problemă cu acumulatorul (tensiune scăzută).	Reîncărcați cartușul acumulatorului. Dacă reîncărcarea nu este eficientă, înlocuiți cartușul acumulatorului.
Lanțul nu se învâрте.	Frâna de lanț activată.	Eliberați frâna de lanț.
Motorul se oprește din funcționare după puțin timp.	Nivelul de încărcare al acumulatorului este redus.	Reîncărcați cartușul acumulatorului. Dacă reîncărcarea nu este eficientă, înlocuiți cartușul acumulatorului.
Nu există ulei pe lanț.	Rezervorul de ulei este gol.	Umpleți rezervorul de ulei.
	Canalul de ghidare a uleiului este murdar.	Curățați canalul.
	Livrarea uleiului nu este ajustată corect.	Ajustați cantitatea de ulei livrat.
Aceasta nu atinge turația maximă.	Cartușul acumulatorului este instalat necorespunzător.	Montați cartușul de acumulator în modul descris în acest manual.
	Puterea acumulatorului se reduce.	Reîncărcați cartușul acumulatorului. Dacă reîncărcarea nu este eficientă, înlocuiți cartușul acumulatorului.
	Sistemul de acționare nu funcționează corect.	Solicitați centrului de service autorizat local efectuarea reparațiilor.
Lanțul nu se oprește chiar dacă este activată frâna de lanț; Oprii imediat mașina!	Bandă de frânare uzată.	Solicitați centrului de service autorizat local efectuarea reparațiilor.
Vibrații anormale: oprii imediat mașina!	Slăbiți lama de ghidare sau lanțul de ferăstrău.	Ajustați tensiunea lamei de ghidare și a lanțului de ferăstrău.
	Defect mașină.	Solicitați centrului de service autorizat local efectuarea reparațiilor.

ACCESORII OPȚIONALE

⚠️ ATENȚIE:

- Folosiți accesoriile sau piesele auxiliare recomandate pentru mașina dumneavoastră în acest manual. Utilizarea oricăror alte accesorii sau piese auxiliare poate cauza vătămări. Folosiți accesoriile pentru operațiunea pentru care au fost concepute.

Dacă aveți nevoie de asistență sau de mai multe detalii referitoare la aceste accesorii, adresați-vă centrului local de service Makita.

- Acumulator și încărcător original Makita
- Lanț de ferăstrău
- Lamă de ghidare
- Capac lamă de ghidare
- Pilă
- Geantă de scule

NOTĂ:

- Unele articole din listă pot fi incluse ca accesorii standard în ambalajul de scule. Acestea pot diferi în funcție de țară.

TECHNISCHE DATEN

Modell		DUC252		DUC302
Standard-Führungsschiene	Länge Führungsschiene	250 mm		300 mm
	Schnittlänge	23 cm	24 cm	28 cm
	Typ	Umlenksternschiene	Ritzschiene	Umlenksternschiene
Standard-Sägekette	Typ	91PX	25AP	90PX
	Kettenteilung	9,5 mm (3/8")	6,35 mm (1/4")	9,5 mm (3/8")
	Treibgliedbreite	1,3 mm (0,05")	1,3 mm (0,05")	1,1mm (0,043")
	Anz. Antriebsverbindungen	40	60	46
Kettenrad	Anzahl der Zähne	6	9	6
	Kettenteilung	9,5 mm (3/8")	6,35 mm (1/4")	9,5 mm (3/8")
Gesamtlänge (ohne Führungsschiene)		316 mm		
Netto-Gewicht	*1	4,1 kg		
	*2	4,6 kg		4,7 kg
Sägekettendrehzahl pro Minute		8,3 m/s (500 m/min)		
Volumen Kettenöltank		85 cm ³		
Nennspannung		Gleichspannung 36 V	Gleichspannung 36 V	

* Aufgrund der laufenden Forschung und Entwicklung unterliegen die hier aufgeführten technischen Daten Veränderungen ohne Hinweis.

* Die Technischen Daten und der Akkublock können in den einzelnen Ländern abweichen.

*1 Gewicht, mit dem größten Akkublock, ohne Führungsschiene und Sägekette, mit leerem Öltank, gem. EN ISO 11681-2.

*2 Gewicht, mit Akkublock, Führungsschiene und Sägekette, mit vollem Öltank, gem. EPTA-Verfahren 01/2003.

WARNUNG: Verwenden Sie eine geeignete Kombination aus Führungsschiene und Sägekette. Anderenfalls kann es zu Verletzungen kommen.

Symbole

Nachstehend sind Symbole aufgeführt, auf die Sie beim Werkzeuggebrauch stoßen können. Sie sollten noch vor Arbeitsbeginn ihre Bedeutung kennen.

	Lesen Sie die Bedienungsanleitung.
	Tragen Sie eine Schutzbrille.
	Tragen Sie einen Gehörschutz.
	Tragen Sie stets Helm, Schutzbrille und Gehörschutz.
	Tragen Sie geeignete Schutzausrüstung für Füße und Beine und für Hände und Arme.
	Diese Säge darf ausschließlich von entsprechend ausgebildeten Personen benutzt werden.
	Setzen Sie die Säge keinem Regen aus.
	Maximal zulässige Schneidlänge
	Laufrichtung der Sägekette

	Einstellung für Sägekettendöl
	Nur für EU-Länder Entsorgen Sie Elektrowerkzeuge, Batterien und Akkus nicht über den Hausmüll! Gemäß der Europäischen Richtlinie über Elektro- und Elektronik- Altgeräte und über Batterien und Akkumulatoren sowie Altbatterien und Altakkumulatoren und ihrer Umsetzung in nationales Recht müssen verbrauchte Elektrowerkzeuge sowie Altbatterien und Altakkumulatoren getrennt gesammelt und einer umweltgerechten Wiederverwertung zugeführt werden.

Verwendungszweck

Das Werkzeug ist für das Schneiden von Ästen und Bäumen vorgesehen. Es ist auch für die Baumpflege geeignet.

Geräusch

Die typischen A-bewerteten Geräuschpegel, bestimmt gemäß EN60745-2-13:

Schalldruckpegel (L_{pa}): 84,4 dB (A)

Schalleistungspegel (L_{WA}): 95,4 dB (A)

Abweichung (K): 2,5 dB (A)

Tragen Sie Gehörschutz

Schwingung

Schwingungsgesamtwerte (Vektorsumme dreier Achsen) nach EN60745-2-13:

Modell DUC252

Arbeitsmodus: Schneiden von Holz
Schwingungsbelastung (a_h): 4,7 m/s²
Abweichung (K): 1,5 m/s²

Modell DUC302

Arbeitsmodus: Schneiden von Holz
Schwingungsbelastung (a_h): 6,3 m/s²
Abweichung (K): 1,5 m/s²

HINWEIS: Die deklarierte Schwingungsbelastung wurde gemäß der Standardtestmethode gemessen und kann für den Vergleich von Werkzeugen untereinander verwendet werden.

HINWEIS: Die deklarierte Schwingungsbelastung kann auch in einer vorläufigen Bewertung der Gefährdung verwendet werden.

⚠️ WARNUNG: Die Schwingungsbelastung während der tatsächlichen Anwendung des Elektrowerkzeugs kann in Abhängigkeit von der Art und Weise der Verwendung des Werkzeugs vom deklarierten Belastungswert abweichen.

⚠️ WARNUNG: Stellen Sie sicher, dass Schutzmaßnahmen für den Bediener getroffen werden, die auf den unter den tatsächlichen Arbeitsbedingungen zu erwartenden Belastungen beruhen (beziehen Sie alle Bestandteile des Arbeitsablaufs ein, also zusätzlich zu den Arbeitszeiten auch Zeiten, in denen das Werkzeug ausgeschaltet ist oder ohne Last läuft).

EG-Konformitätserklärung

Nur für europäische Länder

Die EG-Konformitätserklärung ist als Anhang A in dieser Bedienungsanleitung enthalten.

Allgemeine Sicherheitshinweise für Elektrowerkzeuge

⚠️ WARNUNG Lesen Sie alle Sicherheitswarnungen und -anweisungen sorgfältig durch. Werden die Warnungen und Anweisungen ignoriert, besteht die Gefahr eines Stromschlags, Brands und/oder schweren Verletzungen.

Bewahren Sie alle Warnhinweise und Anweisungen zur späteren Referenz gut auf.

Sicherheitshinweise zu Akku-Kettensägen:

1. **Halten Sie mit allen Körperteilen Abstand zur Sägekette, wenn der Motor der Kettensäge läuft. Stellen Sie vor dem Starten der Kettensäge sicher, dass die Sägekette frei ist und keinerlei Gegenstände berührt.** Beim Arbeiten mit Kettensägen kann schon der kürzeste Moment an Unaufmerksamkeit zur einer Berührung zwischen Sägekette und Kleidung oder Körper führen.
2. **Halten Sie die Kettensäge mit beiden Händen, und zwar stets mit der rechten Hand am hinteren Griff und mit der linken Hand am vorderen Griff.** Ein Erfassen der Kettensäge mit der linken Hand am hinteren Griff und mit der rechten Hand am vorderen Griff führt zu einer deutlich höheren Verletzungsgefahr und hat zu unterbleiben.
3. **Halten Sie das Werkzeug ausschließlich an den isolierten Griffflächen, da die Sägekette verborgene Kabel berühren kann.** Bei Kontakt der Sägekette mit einem stromführenden Kabel wird der Strom an die Metallteile des Elektrowerkzeugs und dadurch an den Bediener weitergeleitet, und der Bediener erleidet einen Stromschlag.
4. **Tragen Sie eine Schutzbrille und einen Gehörschutz. Außerdem wird das Tragen von Schutzausrüstung für Kopf, Hände, Beine und Füße empfohlen.** Bei geeigneter Schutzkleidung verringert sich das Verletzungsrisiko durch herumfliegende Sägeabfälle oder durch versehentlichen Kontakt mit der Sägekette.
5. **Achten Sie immer auf einen sicheren Stand.** Auf rutschigen und instabilen Standflächen können Sie das Gleichgewicht und die Kontrolle über die Kettensäge verlieren.
6. **Achten Sie beim Sägen von unter Spannung stehenden Ästen auf ein mögliches Zurückschnellen.** Wenn die Spannung im Holz frei wird, kann der Bediener der Säge vom unter Spannung stehenden Ast getroffen werden oder die Kettensäge kann außer Kontrolle geraten.
7. **Beim Sägen von Gebüsch und jungen Bäumen ist besondere Vorsicht geboten.** Die Sägekette kann das schlanke Material erfassen und in Ihre Richtung peitschen oder Sie aus dem Gleichgewicht bringen.
8. **Tragen Sie die Kettensäge immer ausgeschaltet und am vorderen Griff und vom Körper entfernt. Transportieren und lagern Sie die Kettensäge immer mit aufgesetztem Schutz über dem Sägeschwert.** Durch einen sachgemäßen Umgang mit der Kettensäge können Sie eine Berührung der sich bewegenden Sägekette vermeiden.
9. **Halten Sie die Anweisungen für Schmierung, Spannen der Kette und Austausch von Zuhörteilen ein.** Eine unsachgemäß geschmierte oder unsachgemäß gespannte Sägekette kann reißen oder einen Rückschlag verursachen.
10. **Halten Sie die Griffe trocken und sauber und frei von Öl und Schmierfett.** Fettige oder ölige Griffe sind schlüpfrig, wodurch Sie die Kontrolle über die Säge verlieren können.
11. **Die Säge darf ausschließlich für das Schneiden von Holz verwendet werden. Verwenden Sie die Kettensäge ausschließlich für den vorgesehenen Zweck. Beispiel: Mit dieser Kettensäge ist das Schneiden von Kunststoffen, Ziegeln oder Baumaterialien, die nicht aus Holz sind, unzulässig.** Die zweckfremde Verwendung der Kettensäge ist gefährlich.

12. **Ursachen für Rückschläge und geeignete Vorkehrungen:**
 Wenn die Nase oder die Spitze des Sägeschwerts ein Objekt berührt oder wenn sich das Holz in den Schnitt biegt und die Sägekette einklemmt, kann es zu einem Rückschlag kommen.
 Wenn die Spitze mit Gegenständen in Berührung kommt, kann es zu einer plötzlichen Bewegungsumkehr kommen, wodurch das Sägeschwert nach oben und in Richtung des Bedieners gestoßen wird.
 Wenn die Sägekette oben am Sägeschwert eingeklemmt wird, kann das Sägeschwert plötzlich nach hinten in Richtung des Bedieners gedrückt werden.
 All diese Reaktionen können zu einem Verlust der Kontrolle über die Säge und dadurch zu schweren Verletzungen führen. Verlassen Sie sich nicht ausschließlich auf die Sicherheitsvorrichtungen der Säge. Als Benutzer einer Kettensäge müssen Sie bezüglich Arbeitsschutz mehrere Dinge beachten: Rückschlag wird durch eine zweckentfremdete Nutzung des Werkzeugs und/oder unsachgemäße Bedienschritte oder -umstände verursacht und kann durch die unten aufgeführten Maßnahmen vermieden werden:
- **Halten Sie das Werkzeug gut fest, wobei Daumen und Finger die Griffe der Kettensäge umfassen, sich beide Hände an der Säge befinden und Sie Ihren Körper und Arm so positionieren, dass Sie Rückschlagkräften entgegenwirken können.** Rückschlagkräfte können vom Bediener kontrolliert werden, wenn die entsprechenden Vorsichtsmaßnahmen getroffen werden. Lassen Sie die Kettensäge nicht los.

► **Abb.1**

- **Beugen Sie sich nicht zu weit nach vorn und sägen Sie nicht über Schulterhöhe.** Dadurch können unbeabsichtigte Berührungen der Schwertschneide mit Gegenständen vermieden werden. Außerdem kann die Kettensäge in unerwarteten Situationen besser unter Kontrolle gehalten werden.
 - **Verwenden Sie ausschließlich die vom Hersteller vorgeschriebenen Ersatzschwerter und -ketten.** Nicht zugelassene Ersatzschwerter und -ketten können zu einem Riss der Kette und/oder Rückschlag führen.
 - **Halten Sie die Vorschriften des Herstellers für das Schärfen und die Wartung der Sägekette ein.** Bei Absenken des Tiefenanschlags kann es zu höheren Rückschlagkräften kommen.
13. Vor Arbeitsbeginn sicherstellen, dass die Kettensäge einwandfrei funktioniert und deren Zustand den Sicherheitsbestimmungen entspricht. Stellen Sie insbesondere sicher, dass:
- die Kettenbremse ordnungsgemäß funktioniert,
 - die Auslaufbremse ordnungsgemäß funktioniert,
 - die Sägeschiene und der Kettenradschutz ordnungsgemäß angebracht sind,
 - die Kette vorschriftsgemäß geschärft und gespannt ist,

14. **Starten Sie die Kettensäge nicht mit montierter Kettenabdeckung.** Das Starten der Kettensäge mit montierter Kettenabdeckung kann zum Abwerfen der Kettenabdeckung führen; dies kann schwere Personenschäden des Bedieners und Sachschäden an Gegenständen in der Nähe des Bedieners verursachen.

Besondere Sicherheitshinweise zur Kettensäge

1. Diese Kettensäge wurde speziell für die Baumpflege und den Baumschnitt konstruiert. Die Kettensäge ist nur für die Verwendung durch entsprechend geschulte Personen vorgesehen. Beachten Sie alle Anweisungen, Vorgehensweisen und Empfehlungen der zuständigen Berufsorganisationen. Anderenfalls kann es zu tödlichen Unfällen kommen. Es wird empfohlen, für das Sägen von Ästen immer eine Hebebühne (Hubsteiger, Lift) zu verwenden. Abseiltechniken sind extrem gefährlich und erfordern eine besondere Ausbildung. Die Bediener müssen so geschult sein, dass sie mit dem richtigen Umgang mit der Sicherheitsausrüstung und den Klettertechniken vertraut sind. Verwenden Sie stets geeignete Gürtel, Seile und Karabiner, wenn Sie in Bäumen arbeiten. Sowohl der Bediener als auch die Säge sind mit Gurten zu sichern.
2. Führen Sie vor dem Einlagern eine Reinigung und Wartung gemäß der Betriebsanleitung durch.
3. Sorgen Sie bei Transport der Kettensäge in einem Fahrzeug für eine sichere Ablage, um das Austreten von Kraftstoff oder Kettenöl sowie Schäden am Werkzeug und Verletzungen von Personen zu vermeiden.
4. Überprüfen Sie regelmäßig die Funktionstüchtigkeit der Kettenbremse.
5. Füllen Sie kein Kettenöl in der Nähe eines Feuers nach. Rauchen Sie niemals, wenn Sie Kettenöl nachfüllen.
6. Die Verwendung der Kettensäge kann durch örtlich geltende Gesetze und Bestimmungen eingeschränkt sein.
7. Wenn das Werkzeug einem starken Stoß ausgesetzt wurde oder heruntergefallen ist, überprüfen Sie den Zustand des Werkzeugs, bevor Sie die Arbeiten fortsetzen. Prüfen Sie die Regelungen und Sicherheitseinrichtungen auf Fehlfunktion. Wenn Sie einen Schaden bemerken oder sich nicht sicher sind, wenden Sie sich zur Inspektion und Reparatur an unser autorisiertes Servicecenter.
8. Aktivieren Sie immer die Kettenbremse, bevor Sie die Kettensäge starten.
9. Halten Sie die Säge gut fest, um ein Wegrutschen (Schleuderbewegung) oder Abprallen der Säge zu verhindern, wenn Sie einen Schnitt ansetzen.
10. Achten Sie am Ende des Schnitts darauf, dass Sie wegen des „Herunterfallens“ das Gleichgewicht nicht verlieren.
11. Achten Sie auf Windrichtung und Windgeschwindigkeit. Meiden Sie Sägespäne und Kettenölnebel.

Schutzausrüstung

1. Um Verletzungen von Gehör, Augen, Händen und Füßen zu vermeiden, aber auch um Ihre Hörleistung während des Betriebs zu schützen, müssen Sie während der Bedienung der Kettensäge die folgenden Schutzausrüstungen tragen.
 - Es ist geeignete Arbeitskleidung zu tragen, die am Körper anliegt, jedoch die Bewegungsfreiheit nicht einschränkt. Das Tragen von Schmuck oder Kleidung, der bzw. die sich in Büschen oder Gestrüpp verfangen können, ist nicht zulässig. Falls Sie lange Haare haben, tragen Sie immer ein Haarnetz.
 - Es ist notwendig, bei der Arbeit mit der Kettensäge jederzeit einen Schutzhelm zu tragen. Der **Schutzhelm** muss regelmäßig auf Beschädigungen überprüft und spätestens nach jeweils 5 Jahren durch einen neuen Helm ersetzt werden. Verwenden Sie ausschließlich zugelassene Schutzhelme.
 - Der **Gesichtsschutz** des Schutzhelms (oder die Schutzbrille) schützt vor Sägemehl und Holzspäne. Der Gesichtsschutz oder die Schutzbrille ist beim Arbeiten mit Kettensäge vorgeschrieben und schützt vor Augenverletzungen.
 - Tragen Sie einen angemessenen **Gehörschutz** (Gehörschutzkapseln, Gehörschutzstöpsel usw.).
 - Die **Schutzjacke** besteht aus einer Nylonfaser mit 22 Schichten und schützt den Bediener vor Schnitten. Sie muss bei der Arbeit auf Hebebühnen (Hubsteigern, Liften), auf montierten Plattformen an Leitern oder beim Klettern mit Seilen stets getragen werden.
 - Die **Arbeitslatzhosen** bestehen aus einer Nylonfaser mit 22 Schichten und schützen vor Schnitten. Für viele Einsatzfälle ist diese Hose vorgeschrieben.
 - **Schutzhandschuhe** aus dickem Leder sind Bestandteil der vorgeschriebenen Ausrüstung und müssen beim Betrieb der Kettensäge stets getragen werden.
 - Während des Betriebs der Kettensäge müssen stets **Sicherheitsschuhe** oder **Sicherheitsstiefel** mit rutschfester Sohle, Stahlkappen und Beinschützern getragen werden. Sicherheitsschuhe mit Schnittschutz bieten Schutz vor Schnitten und einen sicheren Stand. Für die Arbeit in Bäumen müssen die Sicherheitsschuhe für Klettertechniken geeignet sein.

Vibration

1. Wenn sich Personen mit Durchblutungsstörungen zu starken mechanischen Schwingungen aussetzen, kann es zu Schädigungen von Blutgefäßen und/oder Nervensystem kommen. Folgende Symptome können durch Vibrationen an Fingern, Händen oder Handgelenken auftreten: „Einschlafen“ von Körperteilen (Benommenheit), Kribbeln, Schmerz, Stechen, Veränderung von Hautfarbe oder Haut. **Sollte einer dieser Symptome auftauchen, gehen Sie sofort zum Arzt!** Um das Risiko der „Weißfingerkrankheit“ zu verringern, halten Sie Ihre Hände während des Arbeitens warm und warten und pflegen Sie Maschine und Zubehörteile gut.

BEWAHREN SIE DIESE ANWEISUNGEN AUF.

⚠️WARNING: Lassen Sie sich **NIE** durch Bequemlichkeit oder (aus fortwährendem Gebrauch gewonnener) Vertrautheit mit dem Werkzeug dazu verleiten, die Sicherheitsregeln für das Werkzeug zu missachten. Bei **MISSBRÄUCLICHER** Verwendung des Werkzeugs oder **Missachtung** der in diesem Handbuch enthaltenen Sicherheitshinweise kann es zu schweren Verletzungen kommen.

WICHTIGE SICHERHEITSANWEISUNGEN

FÜR AKKUBLOCK

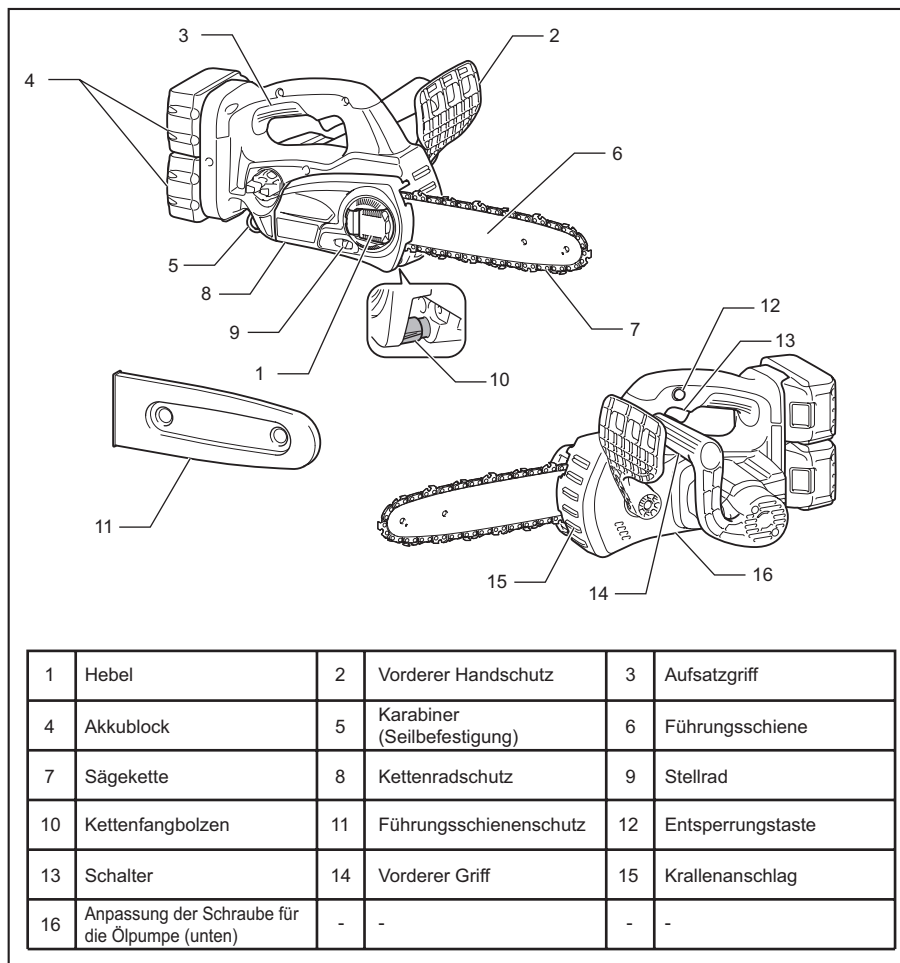
1. Lesen Sie vor der Verwendung des Akkublocks alle Anweisungen und Sicherheitshinweise für (1) das Akkuladegerät, (2) den Akku und (3) das Produkt, für das der Akku verwendet wird.
2. Der Akkublock darf nicht zerlegt werden.
3. Falls die Betriebsdauer erheblich kürzer wird, beenden Sie den Betrieb umgehend. Andernfalls besteht die Gefahr einer Überhitzung sowie das Risiko möglicher Verbrennungen und sogar einer Explosion.
4. Wenn Elektrolyt in Ihre Augen gerät, waschen Sie diese mit klarem Wasser aus, und suchen Sie sofort einen Arzt auf. Andernfalls können Sie Ihre Sehfähigkeit verlieren.
5. Der Akkublock darf nicht kurzgeschlossen werden.
 - (1) Die Kontakte dürfen nicht mit leitendem Material in Berührung kommen.
 - (2) Der Akkublock darf nicht in einem Behälter aufbewahrt werden, in dem sich andere metallische Gegenstände wie beispielsweise Nägel, Münzen usw. befinden.
 - (3) Der Akkublock darf weder Feuchtigkeit noch Regen ausgesetzt werden. Ein Kurzschluss des Akkus kann zu hohem Kriechstrom, Überhitzung, möglichen Verbrennungen und sogar zu einer Zerstörung des Geräts führen.
6. Werkzeug und Akkublock dürfen nicht an Orten aufbewahrt werden, an denen die Temperatur 50°C (122°F) oder höher erreichen kann.
7. Selbst wenn der Akkublock schwer beschädigt oder völlig verbraucht ist, darf er nicht angezündet werden. Der Akkublock kann in den Flammen explodieren.
8. Lassen Sie den Akku nicht fallen, und vermeiden Sie Schläge gegen den Akku.
9. Verwenden Sie einen beschädigten Akkublock nicht.
10. Befolgen Sie die in Ihrem Land geltenden Bestimmungen bzgl. der Entsorgung von Akkus.

BEWAHREN SIE DIESE ANWEISUNGEN AUF.

Tipps für den Erhalt der maximalen Akku-Nutzungsdauer

1. Laden Sie den Akkublock auf, bevor er ganz entladen ist. Beenden Sie stets den Betrieb des Werkzeugs, und laden Sie den Akkublock auf, sobald Sie eine verringerte Werkzeugleistung bemerken.
2. Laden Sie einen voll geladenen Akkublock nicht noch einmal auf. Eine Überladung verkürzt die Lebensdauer des Akkus.
3. Laden Sie den Akkublock bei einer Zimmertemperatur von 10°C - 40°C (50°F - 104°F) auf. Lassen Sie einen heißen Akkublock vor dem Aufladen abkühlen.
4. Wenn Sie dieses Werkzeug längere Zeit nicht benutzen, laden Sie den Akku alle sechs Monate auf.

BESCHREIBUNG DER TEILE



FUNKTIONSBESCHREIBUNG

⚠ VORSICHT:

- Schalten Sie das Werkzeug stets aus und entfernen Sie den Akkublock, bevor Sie Einstellungen oder eine Funktionsprüfung des Werkzeugs vornehmen.

Montage und Demontage des Akkublocks

► **Abb.2:** 1. Rote Anzeige 2. Taste 3. Akkublock

⚠ VORSICHT:

- Schalten Sie das Werkzeug immer aus, bevor Sie den Akkublock einsetzen oder entnehmen.
- **Halten Sie das Werkzeug und den Akkublock sicher fest, wenn Sie den Akkublock einsetzen oder herausnehmen.** Andernfalls könnte Ihnen das Werkzeug oder der Akkublock aus den Händen fallen, sodass das Werkzeug oder der Akkublock beschädigt werden oder diese Verletzungen verursachen.

Zum Entnehmen des Akkublocks müssen Sie die Taste auf der Vorderseite des Akkublocks schieben und gleichzeitig den Akkublock aus dem Werkzeug herausziehen. Zum Einsetzen des Akkublocks müssen Sie die Zunge des Akkublocks an der Rille im Gehäuse ausrichten und in die gewünschte Position schieben. Setzen Sie den Akkublock ganz ein, bis er mit einem Klick einrastet. Wenn Sie den roten Bereich oben auf der Taste sehen können, ist der Akkublock nicht ganz eingerastet.

⚠ VORSICHT:

- Setzen Sie den Akkublock unbedingt ganz ein, bis der rote Bereich nicht mehr zu sehen ist. Andernfalls kann der Akkublock versehentlich aus dem Werkzeug fallen und Sie oder Personen in Ihrem Umfeld verletzen.
- Setzen Sie den Akkublock nicht mit Gewalt ein. Wenn der Akkublock nicht leicht hineingleitet, ist er nicht richtig angesetzt.

HINWEIS:

- Das Werkzeug funktioniert nicht mit nur einem Akkublock.

Werkzeug-/Akku-Schutzsystem

Das Werkzeug ist mit einem Werkzeug-/Akku-Schutzsystem ausgestattet. Dieses System schaltet die Stromversorgung des Motors automatisch aus, um die Lebensdauer des Werkzeugs und des Akkus zu verlängern. Unter folgenden Bedingungen des Werkzeugs und/oder des Akkus kann das Werkzeug während des Betriebs automatisch stoppen. Unter einigen dieser Bedingungen leuchtet die Anzeige auf.

Überlastungsschutz

Wird das Werkzeug auf eine Weise betrieben, die zu einer abnormal hohen Stromaufnahme führt, stoppt das Werkzeug automatisch ohne jede Anzeige. Schalten Sie in dieser Situation das Werkzeug aus und beenden Sie die Arbeiten, die zu der Überlastung des Werkzeugs geführt haben. Schalten Sie dann das Werkzeug zum erneuten Starten wieder ein.

Überhitzungsschutz für den Akku bzw. das Werkzeug

Ist der Akku/das Werkzeug überhitzt, stoppt das Werkzeug automatisch ohne jede Anzeige. Das Werkzeug startet nicht, selbst wenn der Auslöseschalter betätigt wird. Lassen Sie in dieser Situation den Akku/das Werkzeug erst abkühlen, bevor Sie ihn/es wieder einschalten.

HINWEIS: Der Akku-Überhitzungsschutz funktioniert nur bei einem Akkublock mit Sternmarkierung.

► **Abb.3:** 1. Sternmarkierung

Tieftladungsschutz

► **Abb.4:** 1. Anzeige Akkuladestand

Bei geringem Akkuladestand blinkt die Akkuanzeige auf der entsprechenden Akku-Seite. Bei Weiterverwendung stoppt das Werkzeug und die Akkuanzeige leuchtet ca. 10 Sekunden lang auf. Laden Sie in diesem Fall den Akkublock wieder auf.

Anzeigen der Akku-Restkapazität

Nur für Akkus mit Anzeige

► **Abb.5:** 1. Anzeigelampen 2. Prüftaste

Drücken Sie die Prüftaste am Akku, um die Akku-Restkapazität anzuzeigen. Die Anzeigelampen leuchten wenige Sekunden lang auf.

Anzeigelampen			Restkapazität
Erleuchtet	Aus	Blinkend	
■	□	◐	75% bis 100%
■	■	□	50% bis 75%
■	□	□	25% bis 50%
■	□	□	0% bis 25%
◐	□	□	Den Akku aufladen.
■	■	□	Möglicherweise liegt eine Funktionsstörung im Akku vor.
□	□	■	

HINWEIS: Abhängig von den Benutzungsbedingungen und der Umgebungstemperatur kann die Anzeige geringfügig von der tatsächlichen Kapazität abweichen.

Einschalten

⚠ VORSICHT:

- Achten Sie vor dem Einsetzen des Akkublocks in das Werkzeug darauf, dass sich der Ein/Aus-Schalter korrekt bedienen lässt und beim Loslassen in die Position „OFF“ (AUS) zurückkehrt.

► **Abb.6:** 1. Entsperrungstaste 2. Griffschalter

Damit der Auslöseschalter nicht versehentlich betätigt wird, befindet sich am Werkzeug eine Entsperrungstaste. Um das Werkzeug zu starten, drücken Sie zuerst die Entsperrungstaste und betätigen den Auslöseschalter. Lassen Sie zum Ausschalten des Werkzeugs den Auslöseschalter los.

Überprüfen der Kettenbremse

HINWEIS:

- Lösen Sie die Kettenbremse, falls die Kettensäge nicht anläuft. Ziehen Sie den vorderen Handschutz kräftig nach hinten, bis er fühlbar einrastet.

Halten Sie die Kettensäge beim Einschalten mit beiden Händen fest. Halten Sie die rechte Hand am oberen Griff und die linke Hand am vorderen Griff. Die Schiene und Kette dürfen keine Gegenstände berühren.

Drücken Sie zunächst die Entsperrungstaste, danach den Auslöseschalter. Die Sägekette läuft sofort an.

► **Abb.7:** 1. Vorderer Handschutz 2. Verriegelung 3. Entriegeln

Drücken Sie den vorderen Handschutz mit dem Handrücken nach vorne. Die Sägekette muss sofort zum Stillstand kommen.

⚠VORSICHT:

- Sollte die Sägekette bei dieser Prüfung nicht sofort zum Stillstand kommen, darf die Säge auf keinen Fall in Betrieb genommen werden. Suchen Sie eine MAKITA Fachwerkstatt auf.

Überprüfen der Auslaufbremse

Schalten Sie die Kettensäge ein.

Lassen Sie den Auslöseschalter ganz los. Die Sägekette muss innerhalb einer Sekunde zum Stillstand kommen.

⚠VORSICHT:

- Sollte die Sägekette während dieser Prüfung nicht innerhalb einer Sekunde zum Stillstand kommen, darf die Säge nicht in Betrieb genommen werden. Suchen Sie eine MAKITA Fachwerkstatt auf.

Einstellen der Kettenschmierung

► **Abb.8:** 1. Einstellschraube

An der Einstellschraube können Sie die Ölpumpenzufuhr einstellen. Sie können das Ölvolumen mit einem Universalschraubenschlüssel einstellen.

Karabiner (Seilbefestigung)

► **Abb.9**

Der Karabiner (Seilbefestigung) dient der Aufhängung des Werkzeugs. Ziehen Sie den Karabiner vor der Verwendung heraus und binden Sie diesen mit einem Seil fest.

MONTAGE

⚠VORSICHT:

- Schalten Sie das Werkzeug stets aus, und entfernen Sie den Akkublock, bevor Sie Arbeiten am Werkzeug ausführen.

Montieren und Demontieren der Sägekette

⚠VORSICHT:

- Tragen Sie während der Montage oder Demontage der Sägekette stets Handschuhe.
- Die Sägekette und Führungsschiene sind noch kurz nach dem Betrieb heiß. Lassen Sie diese erst abkühlen bevor Sie mit Ihrer Arbeit fortfahren.

Führen Sie zur Demontage der Sägekette die folgenden Schritte durch:

1. Drücken und öffnen Sie den Hebel vollständig bis zum Anschlag.

► **Abb.10:** 1. Kettenradschutz 2. Hebel

2. Drehen Sie das Einstellrad in „-“ Richtung, um die Sägekettenspannung zu lockern.

► **Abb.11:** 1. Stellrad

3. Drehen Sie den Hebel entgegen dem Uhrzeigersinn, um den Kettenradschutz zu lösen, bis dieser sich abnehmen lässt.

4. Entfernen Sie den Kettenradschutz.

5. Entfernen Sie die Sägekette und die Führungsschiene.

Führen Sie zur Montage der Sägekette die folgenden Schritte durch:

6. Vergewissern Sie sich bezüglich der Laufrichtung der Kette. Die Pfeilmarkierung auf der Kette zeigt die Laufrichtung der Kette.

► **Abb.12:** 1. Kettenrad

7. Führen Sie das eine Ende der Sägekette auf die Oberseite der Führungsschiene und das andere Ende um das Kettenrad.

8. Setzen Sie die Führungsschiene an der richtigen Stelle auf die Kettensäge.

9. Drehen Sie das Einstellrad in Richtung „-“, um den Spannstift in Pfeilrichtung zu schieben.

► **Abb.13:** 1. Spannstift

10. Setzen Sie den Kettenradschutz so auf die Kettensäge, dass der Einstellstift in einer kleinen Öffnung in der Führungsschiene einrastet.

► **Abb.14:** 1. Loch 2. Führungsschiene

11. Drehen Sie den Hebel im Uhrzeigersinn eine volle Drehung und dann um ein Viertel zurück, um Lockerheit zur Einstellung der Kettenspannung zu halten.

12. Drehen Sie das Einstellrad und stellen Sie die Kettenspannung ein.

13. Drehen Sie den Hebel im Uhrzeigersinn, um den Kettenradschutz zu sichern.

► **Abb.15:** 1. Kettenradschutz 2. Hebel

14. Drücken Sie auf den Hebel und bringen Sie ihn wieder in seine Ausgangsposition.

Einstellen der Kettenspannung

Die Sägekette kann nach vielen Betriebsstunden locker werden. Prüfen Sie daher vor der Inbetriebnahme von Zeit zu Zeit die Kettenspannung.

1. Drücken und öffnen Sie den Hebel vollständig bis zum Klick. Drehen Sie ihn ein wenig entgegen dem Uhrzeigersinn, um den Kettenradschutz etwas zu lösen.

► **Abb.16:** 1. Kettenradschutz 2. Hebel

2. Heben Sie die Spitze der Führungsschiene leicht an.

► **Abb.17:** 1. Lösen 2. Anziehen 3. Stellrad
4. Führungsschiene 5. Sägekette

3. Drehen Sie zum Einstellen der Kettenspannung am Einstellrad. Spannen Sie die Sägekette solange, bis die untere Seite der Sägekette in die Führungsschiene passt (siehe Kreis in der Abbildung).
4. Halten Sie die Führungsschiene leicht und ziehen Sie die Ritzelabdeckung nach dem Einstellen der Kettenspannung. Stellen Sie sicher, dass die Sägekette nicht an der unteren Seite lose ist.
5. Drücken Sie auf den Hebel und bringen Sie ihn wieder in seine Ausgangsposition.

► **Abb.18:** 1. Kettenradschutz 2. Hebel

Vergewissern Sie sich, dass die Sägekette an der Unterseite der Schiene fest anliegt.

⚠ VORSICHT:

- Ziehen Sie die Sägekette nicht zu fest an. Eine übermäßig hohe Kettenspannung kann zur Beschädigung der Sägekette, zum Verschleiß der Führungsschiene und zum Bruch des Einstellrads führen.
- Eine zu lockere Kette kann abspringen und stellt deshalb ein Unfallrisiko dar.
- Führen Sie den Vorgang zur Montage oder Demontage der Sägekette an einem sauberen Ort durch, der frei von Sägespänen u.ä. ist.

Krallenanschlag (Sonderzubehör)

► **Abb.19**

Montieren Sie den Krallenanschlag nach dem folgenden Verfahren:

1. Entfernen Sie Kettenraddeckel, Sägekette und Schwert gemäß der Beschreibung in dieser Bedienungsanleitung.
2. Bringen Sie den Krallenanschlag mit den Krallen nach oben gerichtet an, so dass seine Löcher sich mit den Schraubenbohrungen an der Kettensäge decken.
3. Befestigen Sie den Krallenanschlag mit den zwei mitgelieferten Schrauben.

ARBEIT

⚠ VORSICHT: Achten Sie stets darauf, dass alle Lüftungsschlitze frei sind. Andernfalls kann es zu einer Überhitzung und damit zu einer Beschädigung des Werkzeugs kommen.

Schmierung

► **Abb.20:** 1. Öltankdeckel 2. Ölprüf fenster (zum Auffüllen des Tanks mit Öl) 3. Ölprüf fenster

Die Sägekette wird automatisch geschmiert, wenn das Werkzeug in Betrieb ist.

Prüfen Sie das Volumen des verbliebenen Öls im Öltank über das Ölprüf fenster.

Entfernen Sie zum Nachfüllen des Tanks die Kappe von der Öltanköffnung.

Schrauben Sie nach dem Wiederbefüllen des Öltanks immer den mitgelieferten Öltankdeckel auf die Kettensäge.

⚠ VORSICHT:

- Wenn die Kettensäge das erste Mal mit Kettenöl befüllt wird oder der Tank vorher komplett entleert wurde, dann unbedingt Öl bis zur Unterkante des Einfüllstutzens einfüllen. Ansonsten kann die Ölzufuhr beeinträchtigt werden.
- Verwenden Sie als Sägekettenöl ausschließlich Öl für Kettensägen von Makita oder auf dem Markt erhältliches Öl.
- Verwenden Sie niemals Öl mit Staub und Schmutzpartikeln oder flüchtiges Öl.
- Verwenden Sie beim Schneiden von Bäumen pflanzliches Öl. Mineralöl kann Bäume beschädigen.
- Verwenden Sie die Kettensäge beim Schneiden von Bäumen niemals mit Gewalt.
- Überprüfen Sie vor dem Schneiden, dass der mitgelieferte Öltankdeckel aufgeschraubt ist.

► **Abb.21**

Halten Sie die Kettensäge vom Baum weg. Starten Sie die Säge und warten Sie, bis die Schmierung an der Sägekette ausreichend ist.

Bringen Sie die Rindenstütze in Kontakt mit dem Zweig, den Sie absägen möchten, bevor Sie das Gerät einschalten. Anderenfalls fängt die Führungsschiene an zu wackeln, was zu Verletzungen des Betreibers führt. Sägen Sie das zu schneidende Holz, indem Sie es nach unten bewegen.

ARBEITEN MIT DER KETTENSÄGE

Beschneiden von Bäumen

► **Abb.22:** 1. Krallenanschlag

⚠ VORSICHT:

- Halten Sie bei laufendem Motor alle Körperteile entfernt von der Sägekette.
- Halten Sie die Kettensäge bei laufendem Motor mit beiden Händen fest.
- Überdehnen Sie Ihren Standbereich nicht. Achten Sie jederzeit auf sicheren Stand und sichere Balance.

Bringen Sie die Rindenstütze in Kontakt mit dem Zweig, den Sie absägen möchten, bevor Sie das Gerät einschalten. Wenn Sie sägen, ohne dass die Rindenstütze in Kontakt mit dem Ast ist, kann dazu führen, dass die Führungsschiene anfängt hin- und her zu schlagen, was dem Bediener Verletzungen verursacht.

► **Abb.23**

Um dicke Äste zu sägen, machen Sie zunächst einen flachen Schnitt von unten und dann den endgültigen Schnitt von oben.

► **Abb.24**

Wenn Sie versuchen, dicke Äste von unten zu schneiden, kann sich der Ast absenken und die Sägekette im Schnitt verfangen. Wenn Sie versuchen, dicke Äste ohne flachen Unterschnitt von oben zu schneiden, kann der Ast splintern.

► **Abb.25**

Wenn Sie Holz nicht in einem einzelnen Durchgang durchsägen können: Üben Sie leichten Druck auf den Griff aus und sägen Sie weiter, wobei Sie die Kettensäge leicht vor- und zurückbewegen; setzen Sie die Spitze dann etwas tiefer an und beenden Sie den Schnitt, indem Sie den Griff anheben.

Transport des Werkzeugs

► **Abb.26:** 1. Führungsschienenschutz 2. Akkuabdeckung

Entnehmen Sie vor dem Transport immer den Akkublock aus dem Werkzeug und decken Sie die Führungsschiene mit einer Abdeckung für die Führungsschiene ab. Schützen Sie auch den Akkublock mit der Akkuabdeckung.

WARTUNG

⚠ VORSICHT:

- Schalten Sie das Werkzeug stets aus und entfernen Sie den Akkublock, bevor Sie Inspektionen oder Wartungsarbeiten am Werkzeug vornehmen.
- Tragen Sie während der Inspektion oder Wartung immer Handschuhe.
- Verwenden Sie zum Reinigen niemals Kraftstoffe, Benzin, Verdünnern, Alkohol oder ähnliches. Dies kann zu Verfärbungen, Verformungen oder Rissen führen.

Schärfen der Sägekette

⚠ VORSICHT:

- Entfernen Sie immer den Akkublock und tragen Sie stets Schutzhandschuhe, wenn Sie Arbeiten an der Kettensäge durchführen.

► **Abb.27**

Die Sägekette schärfen, wenn:

- Mehliges Sägespäne beim Sägen von feuchtem Holz entstehen,
- Die Sägekette auch bei stärkerem Druck nur mühevoll ins Holz zieht,
- Die Schnittkante sichtbar beschädigt ist,
- die Säge im Holz einseitig nach links oder rechts verläuft. Die Ursache hierfür liegt in einer ungleichmäßigen Schärfung der Sägekette oder in einer einseitigen Beschädigung.

Schärfen Sie die Sägekette häufig, aber entfernen Sie dabei nur wenig Material.

Für das einfache Nachschärfen genügen meist zwei bis drei Feilenstriche. Lassen Sie nach mehrmaligem Schärfen die Sägekette in einer MAKITA Fachwerkstatt nachschärfen.

Schärfkriterien:

- Die Höhe aller Hobelzähne muss gleich sein. Verschieden hohe Hobelzähne verursachen einen rauen Kettenlauf und können zum Kettenriss führen.
- Sägekette nicht erneut schärfen, wenn die Mindestlänge der Hobelzähne von 3 mm erreicht ist. Sie müssen dann eine neue Kettensäge einbauen.
- Die Spandicke wird durch den Abstand zwischen dem Tiefenanschlag (runde Nase) und der Schnittkante bestimmt.
- Die besten Schnittergebnisse werden durch den folgenden Abstand zwischen der Schnittkante und dem Tiefenanschlag erzielt.
Kettenblatt 90PX: 0,5 mm
Kettenblatt 91PX: 0,65 mm
Kettenblatt 25AP: 0,65 mm
- **Abb.28:** 1. Schnittlänge 2. Abstand zwischen Schnittkante und Tiefenanschlag 3. Mindestens 3 mm

⚠ WARNUNG:

- Ein zu großer Abstand erhöht die Rückschlaggefahr.

- Der Schärwinkel von 30 ° muss bei allen Hobelzähnen gleich sein. Unterschiedliche Winkel verursachen einen rauen, ungleichmäßigen Kettenlauf, führen zu vorzeitigem Verschleiß und zum Kettenbruch.
- Der Brustwinkel des Hobelzahnes wird durch die Eindringtiefe der Rundfeile bestimmt. Wenn die vorgeschriebene Feile richtig geführt wird, ergibt sich der korrekte Brustwinkel automatisch.
- Der Brustwinkel für jede Sägekette beträgt:
Kettenblatt 90PX: 75 °
Kettenblatt 91PX: 80 °
Kettenblatt 25AP: 85 °

► **Abb.29:** 1. Zahnbrustwinkel

Feile und Feilenführung

- Verwenden Sie zum Schärfen eine Spezial-Sägekettenrundfeile (optionales Zubehör). Normale Rundfeilen sind nicht geeignet.
- Der Durchmesser der Rundfeile für jede Sägekette beträgt:
Kettenblatt 90PX: 4,5 mm
Kettenblatt 91PX: 4,0 mm
Kettenblatt 25AP: 4,0 mm
- Die Feile sollte nur im Vorwärtsstrich in den Hobelzahn greifen. Beim Zurückführen die Feile vom Hobelzahn abheben.

- Schärfen Sie den kürzesten Hobelzahn zuerst. Dann wird die Länge des kürzesten Hobelzahns zum Richtwert für alle anderen Hobelzähne auf der Sägekette.

► **Abb.30**

- Führen Sie die Feile wie in der Abbildung dargestellt.
- Ein Feilenhalter (optionales Zubehör) erleichtert die Feilenführung. Er besitzt Markierungen für den korrekten Schärfwinkel von 30 ° (Markierungen parallel zur Sägekette ausrichten) und begrenzt die Eindringtiefe (4/5 des Feilendurchmessers).

► **Abb.31**

- Nach dem Nachschärfen der Sägekette die Höhe des Tiefenanschlags mit der Kettenmesslehre (optionales Zubehör) prüfen.

► **Abb.32**

- Entfernen Sie jeglichen Überstand, auch wenn noch so gering, mit einer Spezial-Flachfeile (optionales Zubehör).
- Runden Sie den Tiefenanschlag vorne wieder ab.

Reinigen der Führungsschiene

► **Abb.33**

Späne und Sägemehl bilden sich in der Führungsschiennut, verstopfen sie und beeinträchtigen den Ölfluss. Entfernen Sie beim Schärfen und Ersetzen der Sägekette immer Späne und Sägemehl.

Reinigen der Ölaustrittsöffnung

Staub und kleine Partikel können sich während des Betriebs an der Ölaustrittsöffnung ansammeln. Staub und kleine Partikel, die sich am Ölaustritt angesammelt haben, können den Ölabfluss beeinträchtigen und an der gesamten Sägekette zu einer unzureichenden Schmierung führen.

Wenn die Führungsschiene oben nicht ausreichend mit Kettenöl geschmiert wird, reinigen Sie die Ölaustrittsöffnung wie folgt.

Entfernen Sie den Akkublock aus dem Werkzeug. Entfernen Sie den Kettenradschutz und die Sägekette vom Werkzeug. (Siehe Abschnitt "Montage und Demontage der Sägekette".)

► **Abb.34:** 1. Schlitzschraubendreher

Entfernen Sie die Staub und kleine Partikel mit Hilfe eines Schlitzschraubendrehers mit einem schlanken Schaft o.ä.

Setzen Sie den Akkublock in das Werkzeug ein. Ziehen Sie den Auslöseschalter, um angesammelten Staub oder Partikel durch Ablassen von Kettenöl aus der Ölablassöffnung zu spülen.

Entfernen Sie den Akkublock aus dem Werkzeug. Bringen Sie den Kettenradschutz und die Sägekette wieder am Werkzeug an.

Austauschen des Kettenrads

► **Abb.35:** 1. Kettenrad 2. Arretierring

Bevor Sie eine neue Sägekette auflegen, überprüfen Sie den Zustand des Kettenrades.

AVORSICHT:

- Ein abgenutztes Kettenrad führt an einer neuen Kette zu Beschädigungen. Lassen Sie das Kettenrad unbedingt auswechseln. Das Kettenrad muss so, wie in der Abbildung dargestellt installiert werden.

► **Abb.36:** 1. Arretierring 2. Kettenrad

Setzen Sie beim Wechsel des Kettenrades immer einen neuen Sicherungsring ein.

Kohlenwechsel

► **Abb.37:** 1. Grenzmarke

Nehmen Sie die Kohlen regelmäßig heraus und wechseln Sie sie. Wenn sie bis zur Grenzmarke verbraucht sind, müssen sie ausgewechselt werden. Die Kohlen müssen sauber sein und locker in ihre Halter hineinfallen. Die beiden Kohlen müssen gleichzeitig ausgewechselt werden. Verwenden Sie ausschließlich gleiche Kohlen.

► **Abb.38:** 1. Kohlenhalterdeckel 2. Schraubendreher

Schrauben Sie mit einem Schraubenzieher den Kohlenhalterdeckel ab. Wechseln Sie die verschlissenen Kohlen, legen Sie neue ein und schrauben Sie den Deckel wieder auf.

Aufbewahrung des Werkzeugs

Reinigen Sie das Werkzeug vor der Lagerung. Entfernen Sie Späne und Sägemehl vom Werkzeug, nachdem Sie die Kettenradabdeckung entfernt haben. Betreiben Sie das Werkzeug nach dem Reinigen ohne Last, um die Sägekette und die Führungsschiene zu schmieren.

Bedecken Sie die Führungsschiene mit der dafür vorgesehenen Abdeckung.

Leeren Sie den Öltank und lagern Sie die Kettensäge ein.

Zur Aufrechterhaltung der SICHERHEIT und ZUVERLÄSSIGKEIT des Produkts müssen die Reparaturen und alle Wartungen und Einstellungen von den autorisierten Servicestellen der Firma Makita und unter Verwendung der Ersatzteile von Makita durchgeführt werden.

Anleitung für zyklische Wartungsarbeiten

Um eine lange Lebensdauer des Werkzeugs zu erreichen, Schäden am Werkzeug zu vermeiden und die volle Funktionstüchtigkeit der Sicherheitseinrichtungen des Werkzeugs sicherzustellen, sind in regelmäßigen Abständen die folgenden Wartungsarbeiten auszuführen.

Garantieansprüche können nur anerkannt werden, wenn diese Arbeiten regelmäßig und sachgemäß ausgeführt wurden. Werden die vorgeschriebenen Wartungsarbeiten nicht ausgeführt, kann es zu Unfällen kommen! Der Bediener der Kettensäge darf nur die in dieser Betriebsanleitung beschriebenen Wartungs- und Reparaturarbeiten durchführen. Andere Arbeiten müssen unbedingt von autorisierten Servicecentern durchgeführt werden.

Betriebsdauer Bauteil		Vor jedem Betrieb	Täglich	Wöchentlich	Alle drei Monate	Jährlich	Vor dem Lagern
Kettensäge	Inspektion.	<input type="radio"/>					
	Reinigung.		<input type="radio"/>				
	Wenden Sie sich an ein autorisiertes Servicecenter.					<input type="radio"/>	<input type="radio"/>
Sägekette	Inspektion.	<input type="radio"/>					
	Schärfen Sie diese bei Bedarf.						<input type="radio"/>
Führungsschiene	Inspektion.	<input type="radio"/>	<input type="radio"/>				
	Von der Kettensäge entfernen.						<input type="radio"/>
Kettenbremse	Prüfen auf ordnungsgemäße Funktion.	<input type="radio"/>					
	Lassen Sie die Kettenbremse regelmäßig in einem autorisierten Servicecenter überprüfen.				<input type="radio"/>		
Kettenschmierung	Stellen Sie die Ölpumpenzufuhr ein.	<input type="radio"/>					
Schalter	Inspektion.	<input type="radio"/>					
Entsperrungstaste	Inspektion.	<input type="radio"/>					
Öltankdeckel	Auf Dichtigkeit prüfen.	<input type="radio"/>					
Kettenfangbolzen	Inspektion.			<input type="radio"/>			
Schrauben und Muttern	Inspektion.			<input type="radio"/>			

PROBLEMBEBEHUNG

Prüfen Sie den Rasenmäher erst selbst, bevor Sie eine Reparatur in Auftrag geben. Falls Sie vor einem Problem stehen, das nicht im Handbuch erläutert ist, bauen Sie den Rasenmäher nicht selbst auseinander. Wenden Sie sich an ein von Makita autorisiertes Servicecenter, in denen stets Makita-Ersatzteile verwendet werden.

Fehlfunktionsstatus	Grund	Maßnahme
Die Kettensäge startet nicht.	Es sind keine zwei Akkublocks eingesetzt.	Setzen Sie die aufgeladenen Akkublocks ein.
	Akkuprobem (unter Spannung).	Laden Sie den Akkublock auf. Tauschen Sie den Akkublock aus, falls ein Aufladen keine Wirkung zeigt.
Die Kette läuft nicht.	Kettenbremse aktiviert.	Lösen Sie die Kettenbremse.
Nach kurzer Zeit stoppt der Motor.	Der Ladezustand des Akkus ist zu niedrig.	Laden Sie den Akkublock auf. Tauschen Sie den Akkublock aus, falls ein Aufladen keine Wirkung zeigt.
Kein Öl auf der Sägekette.	Öltank ist leer.	Füllen Sie den Öltank.
	Ölführungsnut ist verschmutzt.	Reinigen Sie die Nut.
	Die Ölzufuhr ist nicht richtig eingestellt.	Stellen Sie die Ölzufuhrmenge ein.
Die maximale Drehzahl wird nicht erreicht.	Der Akkublock wurde nicht ordnungsgemäß eingesetzt.	Setzen Sie den Akku wie in diesem Handbuch beschrieben ein.
	Die Akkuleistung fällt ab.	Laden Sie den Akkublock auf. Tauschen Sie den Akkublock aus, falls ein Aufladen keine Wirkung zeigt.
	Das Antriebssystem arbeitet nicht korrekt.	Wenden Sie sich zwecks Reparatur an Ihr örtliches, autorisiertes Servicecenter.
Die Sägekette stoppt nicht, selbst wenn die Kettenbremse aktiviert ist: Stoppen Sie das Gerät unverzüglich!	Bremsband verschlissen.	Wenden Sie sich zwecks Reparatur an Ihr örtliches, autorisiertes Servicecenter.
Abnormale Vibration: stoppen Sie den Rasenmäher unverzüglich!	Lösen Sie die Führungsschiene oder Sägekette.	Stellen Sie die Spannung der Führungsschiene und der Sägekette ein.
	Fehlfunktion des Werkzeuges.	Wenden Sie sich zwecks Reparatur an Ihr örtliches, autorisiertes Servicecenter.

SONDERZUBEHÖR

VORSICHT:

- Für Ihr Werkzeug Makita, das in dieser Anleitung beschrieben ist, empfehlen wir folgende Zubehörteile und Aufsätze zu verwenden. Bei der Verwendung anderer Zubehörteile oder Aufsätze kann die Verletzungsgefahr für Personen drohen. Die Zubehörteile und Aufsätze dürfen nur für ihre festgelegten Zwecke verwendet werden.

Wenn Sie nähere Informationen bezüglich dieses Zubehörs benötigen, wenden Sie sich bitte an Ihre örtliche Servicestelle der Firma Makita.

- Originalakku und Ladegerät von Makita
- Sägekette
- Führungsschiene
- Führungsschienenschutz
- Feile
- Werkzeugbeutel

HINWEIS:

- Einige der in der Liste aufgeführten Elemente sind dem Werkzeugpaket als Standardzubehör beigelegt. Diese können in den einzelnen Ländern voneinander abweichen.

RÉSZLETES LEÍRÁS

Modell		DUC252		DUC302
Standard láncvezető	Láncvezető lap hosszúsága	250 mm		300 mm
	Vágási hossz	23 cm	24 cm	28 cm
	Típus	Fogaskerekes végű láncvezető	Láncvezető faragáshoz	Fogaskerekes végű láncvezető
Standard fűrészléc	Típus	91PX	25AP	90PX
	Osztás	9,5 mm (3/8")	6,35 mm (1/4")	9,5 mm (3/8")
	Mérce	1,3 mm (0,05")	1,3 mm (0,05")	1,1mm (0,043")
	Láncszemek száma	40	60	46
Lánckerék	Fogak száma	6	9	6
	Osztás	9,5 mm (3/8")	6,35 mm (1/4")	9,5 mm (3/8")
Teljes hossz (láncvezető nélkül)		316 mm		
Tiszta tömeg	*1	4,1 kg		
	*2	4,6 kg		4,7 kg
A lánc fordulatszáma percenként		8,3 m/s (500 m/min)		
A láncolajtartály űrtartalma		85 cm ³		
Névleges feszültség		36 V, egyenáram		36 V, egyenáram

* Folyamatos kutató- és fejlesztőprogramunk eredményeként az itt felsorolt tulajdonságok figyelmeztetés nélkül megváltozhatnak.

* A műszaki adatok és az akkumulátor országoként változhatnak.

*1 A súly legnagyobb akkumulátorral mérve, a láncvezető és lánc nélkül, üres olajtartállyal, az EN ISO 11681-2 szabványnak megfelelően.

*2 A súly akkumulátorral mérve, a láncvezetővel és láncsal együtt, tele olajtartállyal, az EPTA 01/2003 eljárás szerint. FIGYELEM: A láncvezető és a láncfűrész megfelelő kombinációját használja. Ellenkező esetben személyi sérülés történhet.

Jelképek

A következőkben a berendezésen használt jelképek láthatók. A szerszám használata előtt bizonyosodjon meg arról hogy helyesen értelmezi a jelentésüket.

	Olvassa el a használati utasítást.
	Viseljen szemvédőt.
	Viseljen fülvédőt.
	Viseljen sisakot, védőszemüveget és fülvédőt.
	Viseljen megfelelő lábfej-láb és kéz-kar védőruhát.
	Csak jól képzett személyek használhatják ezt a láncfűrész.
	Ne tegye ki a szerszámot esőnek.
	A legnagyobb megengedett vágáshossz
	A lánc mozgási iránya

Láncolaj beállítása	
	Csak EU-tagállamok számára Az elektromos berendezéseket és akkumulátorokat ne dobja a háztartási szemétkbe! A használt elektromos és elektronikus berendezésekről szóló európai uniós irányelv, illetve az elemekről és akkumulátorokról, valamint a hulladékelemekről és akkumulátorokról szóló irányelv, továbbá azoknak a nemzeti jogba való átültetése szerint az elhasznált elektromos berendezéseket, elemeket és akkumulátorokat külön kell gyűjteni, és környezetbarát módon kell gondoskodni újrahasznosításukról.

Redeltetészerű használat

A szerszám faágak vágására/metszésére használható. Fakivágásra is alkalmas.

Zaj

A tipikus A-súlyozású zajszint, az EN60745-2-13 szerint meghatározva:

Hangnyomásszint ($L_{p(A)}$): 84,4 dB (A)
Hangteljesítményszint (L_{WA}): 95,4 dB (A)
Tűrés (K): 2,5 dB (A)

Viseljen fülvédőt

Vibráció

A vibráció teljes értéke (háromtengelyű vektorösszeg)
EN60745-2-13 szerint meghatározva:

Típus DUC252

Működési mód: fávágás

Rezgéskibocsátás (a_h): 4,7 m/s²

Tűrés (K): 1,5 m/s²

Típus DUC302

Működési mód: fávágás

Rezgéskibocsátás (a_h): 6,3 m/s²

Tűrés (K): 1,5 m/s²

MEGJEGYZÉS: A rezgéskibocsátás értéke a szabványos vizsgálati eljárásnak megfelelően lett mérve, és segítségével az elektromos kéziszerszámok összehasonlíthatók egymással.

MEGJEGYZÉS: A rezgéskibocsátás értékének segítségével előzetesen megbecsülhető a rezgésnek való kitettség mértéke.

▲ FIGYELMEZTETÉS: A szerszám rezgéskibocsátása egy adott alkalmazásnál eltérhet a megadott értéktől a használat módjától függően.

▲ FIGYELMEZTETÉS: Határozza meg a kezelő védelmét szolgáló munkavédelmi lépéseket, melyek az adott munkafeltételek melletti vibrációs hatás becslült mértékén alapulnak (figyelembe véve a munkaciklus elemeit, mint például a gép leállításának és üresjáratának mennyiségét az elindítások száma mellett).

EK Megfelelőségi nyilatkozat

Csak európai országokra vonatkozóan

Az EK-megfelelőségi nyilatkozat az útmutató „A” mellékletében található.

A szerszámgépekre vonatkozó általános biztonsági figyelmeztetések

▲ FIGYELEM Olvassa el az összes biztonsági figyelmeztetést és utasítást. Ha nem tartja be a figyelmeztetéseket és utasításokat, akkor áramütést, tüzet és/vagy súlyos sérülést okozhat.

Őrizen meg minden figyelmeztetést és utasítást a későbbi tájékozódás érdekében.

A vezeték nélküli láncfűrészre vonatkozó biztonsági figyelmeztetések:

1. **A láncfűrész működésekor tartsa távol a testrészeit a fűrészlánctól. Mielőtt fűrészelni kezd a láncfűrészszel, Ellenőrizze, hogy az nem érintkezik semmivel. Egy figyelmen kívül hagyott pillanatban munka közben becsípheti a ruháját vagy valamely testrészét a láncfűrész.**
2. **Ha a láncfűrész mindkét kézzel tartja, jobb kézzel mindig a hátsó fogantyújánál, bal kézzel pedig az első fogantyújánál fogja. Ha fordított kézhelyezést alkalmaz a láncfűrész tartásakor, azzal megnöveli a személyi sérülés veszélyét, amit soha ne tegyen.**

3. **Kizárólag a szigetelt markolási felületeinél fogva tartsa az elektromos szerszámot, mivel fennáll a veszélye, hogy a láncfűrész rejtett vezetékekbe ütközhet. A láncfűrész "élő" vezetékekkel való érintkezéskor a szerszám fém alkatrészei is áram alá kerülnek és megérintkezhetnek a kezelőt.**
4. **Viseljen védőszemüveget és fülvédőt. A fejen, kézen, lábfejen és lábon további védőfelszerelés viselése javasolt. A megfelelő védőruha viselete csökkenti a személyi sérülés kockázatát a törmelek által, illetve a láncfűrészszel való véletlen-szerű érintkezést.**
5. **Mindig álljon biztosan.** Csúszós vagy nem stabil felületek az egyensúly és a láncfűrész irányításának elvesztését okozhatják.
6. **Feszültség alatt lévő gally vágásakor ügyeljen a visszacsapódásra.** Amikor a feszültség kioldódik a farostokból, az eséssel meglendült gally megütheti a kezelőt, és /vagy a láncfűrész kezelhetetlenné teheti.
7. **Legyen nagyon óvatos ágak és suhángok vágásakor.** A gyenge anyagba beakadhat a láncfűrész és Ön felé verődhet vagy kiránthatja az egyensúlyából.
8. **A láncfűrész hordja az első fogantyúnál tartva, kikapcsolva, és a testtől távol. A láncfűrész szállítása vagy tárolása alatt mindig illessze rá a láncvezető tetejét.** A láncfűrész megfelelő kezelése lecsökkenti a véletlen-szerű érintkezés esélyét a mozgó láncfűrészszel.
9. **A szerszám kenésekor, a lánc kifeszítésekor vagy tartozékcsere alatt kövesse az utasításokat.** A nem szakszerűen kifeszített vagy megkent lánc elszakadhat vagy megnöveli a visszarúgás kockázatát.
10. **A fogantyúkat tartsa szárazon, tisztán és olaj- és zsímentesen.** A zsíros, olajos fogantyúk csúszósak, és a kontroll elvesztését okozzák.
11. **Csak fa vágására alkalmazza. Ne használja a láncfűrész a rendeltetésétől eltérő módon. Például: Ne alkalmazza a láncfűrész műanyag, kőművesmunka vagy nem fa építőanyagokra.** A láncfűrész nem rendeltetészerű alkalmazása veszélyes helyzetet okozhat.
12. **A visszarúgás okai és annak megelőzése a kezelő által:**
Visszarúgást okozhat, ha a láncvezető orra vagy hegye egy tárggyal érintkezik, vagy ha a fa lezárul és becsipi a fűrész a vágásba.
A hegygel való érintkezés időnként fordított reakciót idéz elő, felfele rúgva a láncvezetőt és hátra a kezelő felé.
Ha a láncfűrész a láncvezető felső részénél csipődik be, ez gyorsan hátrafelé tolhatja a láncvezetőt a kezelő irányába.
Ezek a reakciók mindenike a fűrész kontrolljának elvesztését okozhatja, ami komoly személyi sérülést okozhat. Ne támaszkodjon kizárólag a fűrészbe épített biztonsági szerkezetre.
Láncfűrész kezelőként tegyen meg néhány lépést a vágási munkálatok balesetmentessége és a sérülés elkerülésének érdekében.
A visszarúgás a szerszám helytelen használatának és/vagy a hibás megmunkálási eljárásnak vagy a nem megfelelő munkaviszonyok eredménye és az alább leírt óvintézkedések betartásával elkerülhető:

- Szilárdan markolja meg a szerszámot úgy, hogy hüvelykujjai és ujjai ráfonódjanak a lánccűrész markolataira. Mindkét kezét a fűrészen tartva irányítsa be úgy a testét és karjait, hogy ellen tudjon állni a visszarúgó erőnek. A visszarúgó erőköt a kezelő kézben tarthatja, ha megteszi a megfelelő övintézkedéseket. Ne engedje elszabadulni a lánccűrész.

► Ábra1

- Ne próbáljon kinyújtózva vágást végrehajtani, és ne vágjon vállmagasság felett. Így megakadályozható a vágópál csúcsának véletlen érintkezése, és a lánccűrész jobban irányítható váratlan helyzetekben is.
 - Kizárólag a gyártó által meghatározott lánccvezetőt és lánccot használjon. A nem megfelelő lánccvezető és láncc lánccszakadáshoz és visszarúgóshoz vezethet.
 - Kövesse a gyártó élelési és karbantartási utasításait. A mélységmérő magasságának csökkentése növelt visszarúgást okozhat.
- Mielőtt elkezdi a munkát, ellenőrizze, hogy a lánccűrész megfelelő üzemállapotban van és hogy az állapota megfelel a munkavédelmi előírásoknak. Különösen ellenőrizze, hogy:
 - A lánccfék megfelelően működik;
 - A leállító fék megfelelően működik;
 - A lánccvezető és a lánccerékvédő helyesen vannak felszerelve;
 - A láncc az előírásoknak megfelelően meg van élezve és feszítve;
 - Ne indítsa el a lánccűrész, ha a lánccvédő burkolat a gépre fel van szerelve. Ha a lánccűrész felszerelt lánccvédő burkolattal indítja el, akkor a burkolatot előrefelé ledobhatja magáról, ami személyi és tárgyi sérüléshez vezethet.

Felső fogantyús lánccűrészre vonatkozó különleges biztonsági figyelmeztetések

- Ezt a lánccűrész kifejezetten a fák ápolásához és gondozásához tervezték. A lánccűrész csak jól képzett személyek használhatják. Kérjék, hogy tartsa be a dokumentációban leírtakat, és a szakmai szervezetek által javasolt információkat. Ellenkező esetben súlyos balesetek történhetnek. Ha Ön a lánccűrészrel fák között dolgozik, azt tanácsoljuk, hogy mindig használjon munkaállványt (kosaras emelőt, emelőt). Rendkívül veszélyes a visszaállítási elötolási technikát alkalmazni a munka során, ezt csak speciális képzés után szabad alkalmazni! A kezelőt ki kell képezni a biztonsági felszerelések használatára és a famászási technikákra. Ha a munkálatokat fák között végzik, kötelező a hevederek, kötelek és karabinerhorgok használata. A fűrész és annak használója mindig vegye igénybe a visszatartó/megtartó rendszereket.
- Tárolás előtt mindig végezzen tisztítást és karbantartást a használati útmutatóban leírtak szerint.
- Járművön történő szállítás esetén győződjön meg arról, hogy a lánccűrész helyzete biztos és stabil-e, nehogy kifolyjon az üzemanyag vagy a lánccolaj, és nehogy megsérüljön a szerszám vagy személyi sérülés következzen be.

- Rendszeresen ellenőrizze a lánccfék működését.
- A lánccolajot ne töltsse nyílt láng közelében. Soha ne dohányozzon a lánccolaj töltése közben.
- Az országos előírások korlátozhatják a lánccűrész használatát.
- Ha az eszközt erős ütés éri, illetve leesik, a munka folytatása előtt ellenőrizze állapotát. Ellenőrizze, hogy a vezérlőelemek és biztonsági eszközök helyesen működnek-e. Ha bármilyen károsodást észlel vagy felmerül a károsodás gyanúja, ellenőrzésért és javításért forduljon a hivatalos szervizközpontunkhoz.
- Mindig kapcsolja be a lánccféket mielőtt beindítja a lánccűrész.
- Erősen tartsa meg a fűrész, hogy elkerülje a csúszkálást (csúszást) vagy a fűrész pattogását, amikor megkezd a vágást.
- A vágás befejezése után ügyeljen az egyensúlyára, ami a „leejtés” után kibillenhet.
- Vegye figyelembe a szél sebességét és irányát. Kerülje el a fűrészport és a lánccolaj páráját.

Védőfelszerelések

- Annak érdekében, hogy a fűrészelésnél elkerülhetőek legyenek a fej-, a szem-, a kéz-, a lábsérülések és a halláskárosodás, a lánccűrész működtetése közben viselni kell az alábbi védőfelszereléseket és eszközöket:**
 - A ruházatnak megfelelőnek kell lennie, ne legyen laza és ne zavarja a használatot a mozgásban. A testen ékszert vagy laza ruhadarabot ne hordjon, ezek ugyanis beakadhatnak a bozótbba vagy az ágakba. Ha hosszú haja van, mindenképpen viseljen hajhálót!
 - Minden lánccűrészrel végzett munkánál viseljen védősisakot. A **védősisakot** rendszeresen meg kell vizsgálni, hogy nem károsodott-e, és legkésőbb 5 év elteltével ki kell cserélni. Kizárólag jóváhagyott, engedélyezett sisakot szabad használni.
 - A védősisak **arcvédő ellenzője** (ill. ennek hiányában a védőszemüveg) védelmet ad a faforgácsok és a szilánkok ellen. A szem-sérülések elkerülése érdekében, a lánccűrészrel végzett munkák során állandóan viselni kell a megfelelő védőszemüveget, ill. a védősisak-ellenzőt.
 - Megfelelő **hallásvédő eszközöket** (fülvédő, fűldugó stb.) kell használni.
 - A biztonsági **védődzseki** 22 nejlón rétegből áll, és védelmet nyújt a vágásokkal szemben. Viselje minden emelvényes munka esetén (emelőkosaras gépkocsin, emelőn), létrára szerelt emelőknél, és ha kötélben mászik fel.
 - A biztonsági **védőöltözlet** 22 nejlón anyag-rétegből áll és védelmet ad a vágások ellen. Használatát nagyon ajánljuk.
 - Az erős bőrből készült **munkakesztyű** az előírt védőfelszerelés részét képezi, és a lánccűrészrel végzett munkák során állandóan hordani kell.

- A láncfűrészsel végzett munkák során csúszásgátló talppal, acél felsőrésszel és lábszárvédővel ellátott munkavédelmi cipőt vagy **bakancsot** kell hordani. A vágásálló bevonattal ellátott biztonsági cipő védelmet ad a vágásból eredő sebesülések ellen és biztos tartást ad. A fák között végzett munkák esetén a biztonsági csizmának mászásra alkalmasnak kell lennie.

Vibráció

1. A keringési rendellenességben szenvedő egyének véredényei vagy idegrendszere a túlzott mértékű rezgés hatására megsérülhetnek. A rezgés a következő tünetek megjelenését okozhatja az ujjakban, a kézben vagy a csuklóban: Álmoság (zsibbadtság), bizsergő érzés, fájdalom, szűrő fájdalomérzet, a bőr vagy annak színének elváltozása. **Ha bármelyik tünetet észleli, forduljon orvoshoz!** A „fehér ujj betegség” kockázatának csökkentése érdekében tartsa melegen kezeit a működtetés alatt, és tartsa megfelelő állapotban az eszközt és tartozékait.

ŐRIZZE MEG EZEKET AZ UTASÍTÁSOKAT.

▲ FIGYELMEZTETÉS: NE HAGYJA, hogy a kényelem vagy a termék (többszöri használatból adódó) mind alaposabb ismerete váltsa fel az adott termékre vonatkozó biztonsági előírások szigorú betartását. A **HELYTELEN HASZNÁLAT** és a használati útmutatóban szereplő biztonsági előírások megszegése súlyos személyi sérülésekhez vezethet.

FONTOS BIZTONSÁGI SZABÁLYOK

AZ AKKUMULÁTORRA VONATKOZÓAN

1. Az akkumulátor használata előtt tanulmányozza át az akkumulátortöltőn (1), az akkumulátoron (2) és az akkumulátorral működtetett terméken (3) olvasható összes utasítást és figyelmeztető jelzést.
2. Ne szerelje szét az akkumulátort.
3. Ha a működési idő nagyon lerövidült, azonnal hagyja abba a használatot. Ez a túlmelegedés, esetleges égések és akár robbanás veszélyével is járhat.
4. Ha elektrolit kerül a szemébe, mossa ki azt tiszta vízzel és azonnal keressen orvosi segítséget. Ez a látásának elvesztését okozhatja.
5. Ne zárja rövidre az akkumulátort:
 - (1) Ne érjen az érintkezőkhöz elektromosan vezető anyagokkal.
 - (2) Ne tárolja az akkumulátort más fémtárgyakkal, mint pl. szegekkel, érmékkel, stb. egy helyen.
 - (3) Ne tegye ki az akkumulátort víznek vagy esőnek.

Az akkumulátor rövidzárlata nagy áramerősséget, túlmelegedést, égéseket, sőt akár meghibásodást is okozhat.

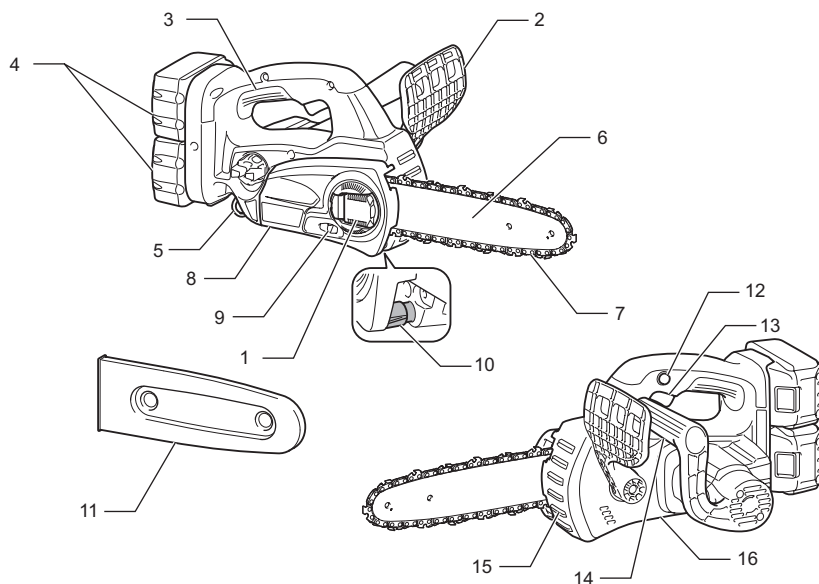
6. Ne tárolja a szerszámot vagy az akkumulátort olyan helyen, ahol a hőmérséklet elérheti vagy meghaladhatja az 50°C-ot (122°F).
7. Ne égesse el az akkumulátort még akkor sem, ha az komolyan megsérült vagy teljesen elhasználódott. Az akkumulátor a tűzben felrobbanhat.
8. Vigyázzon, ne hagyja leejtse vagy megüsse az akkumulátort.
9. Ne használjon sérült akkumulátort.
10. Az akkumulátor ártalmatlanításakor tartsa be a helyi előírásokat.

ŐRIZZE MEG EZEKET AZ UTASÍTÁSOKAT.

Tippek a maximális élettartam eléréséhez

1. Töltse fel az akkumulátort még mielőtt teljesen lemerülne. Mindig kapcsolja ki a szerszámot és töltsen fel az akkumulátort amikor érzi, hogy csökkent a szerszám teljesítménye.
2. Soha ne töltsen újra a teljesen feltöltött akkumulátort. A túltöltés csökkenti az akkumulátor élettartamát.
3. Az akkumulátort szobahőmérsékleten töltsen 10°C - 40°C (50°F - 104°F) közötti hőmérsékleten. Hagyja, hogy a forró akkumulátor lehűljön, mielőtt elkezdi azt feltölteni.
4. Töltsen fel az akkumulátort hathavonta egyszer, ha nem használja az eszközt hosszabb ideig.

ALKATRÉSZEK LEÍRÁSA



1	Kar	2	Elülső kézvédő	3	Felső markolat
4	Akkumulátor	5	Karabiner (kötél csatlakozási pontja)	6	Vezetőrúd
7	Fűrészlánc	8	Lánckerék fedél	9	Szabályozótárcsa
10	Láncfogó	11	Láncvezető burkolat	12	Kireteszelógomb
13	Kapcsoló kioldógomb	14	Elülső markolat	15	Rönktámasz
16	Olajszivattyú állítócsavarja (alsó oldal)	-	-	-	-

MŰKÖDÉSI LEÍRÁS

⚠ VIGYÁZAT:

- Minden esetben ellenőrizze, hogy a szerszám ki van kapcsolva és az akkumulátor eltávolításra került mielőtt beállít vagy ellenőriz valamilyen funkciót a szerszámon.

Az akkumulátor behelyezése és eltávolítása

► **Ábra2:** 1. Piros jelölés 2. Gomb 3. Akkumulátor

⚠ VIGYÁZAT:

- Mindig kapcsolja ki az eszközt, mielőtt behelyezi vagy eltávolítja az akkumulátort.
- **Az akkumulátort és a szerszámot tartsa erősen, amikor az akkumulátort a szerszáma helyezi vagy eltávolítja arról.** Amennyiben nem így jár el, a szerszám vagy az akkumulátor a kezéből kicsúszhat és megsérülhet, illetve személyi sérülést okozhat.

Az akkumulátoregység kivételéhez nyomja be az akkumulátoregység elején található gombot, és tolja ki az egységet. Az akkumulátor beszereléséhez illesse az akkumulátor nyelvét a burkolaton található vajatba és csúsztassa a helyére. Egészen addig tolja be, amíg egy kis kattánással a helyére nem ugrik. Ha látható a piros jelölés a gomb felső oldalán, akkor a gomb nem kattant be teljesen.

⚠ VIGYÁZAT:

- Mindig tolja be teljesen az akkumulátort, amíg a piros jelölés el nem tűnik. Ha ez nem történik meg, akkor az akkumulátor kieshet a szerszámból, és Önnek vagy a környezetében másnak sérülést okozhat.
- Ne erőltesse be az akkumulátort. Ha az akkumulátor nem csúszik be könnyedén, akkor nem megfelelően lett behelyezve.

MEGJEGYZÉS:

- A szerszám nem használható csak egy akkumulátorral.

Szerszám-/akkumulátorvédő rendszer

A szerszám szerszám-/akkumulátorvédő rendszerrel van felszerelve. A rendszer automatikusan kikapcsolja a motor áramellátását, így megnöveli a szerszám és az akkumulátor élettartamát. A szerszám használat közben automatikusan leáll, ha a szerszám vagy az akkumulátor a következő állapotba kerül: Bizonyos állapotokban a jelzőfények világítanak.

Túlterhelésvédelem

Ha a szerszámot úgy használják, hogy az rendellenesen nagy áramot vesz fel, akkor a szerszám mindenfajta jelzés nélkül leáll. Ilyenkor kapcsolja ki a szerszámot, és állítsa le azt az alkalmazást, amelyik a túlterhelést okozza. Újraindításhoz kapcsolja be a szerszámot.

Az akkumulátor/szerszám túlmelegedés elleni védelme

Az akkumulátor/szerszám túlmelegedése esetén a szerszám mindenfajta jelzés nélkül leáll. A szerszám a kioldókapcsoló meghúzásának hatására sem indul be. Ilyenkor az ismételt bekapcsolás előtt hagyja kihűlni az akkumulátort/szerszámot.

MEGJEGYZÉS: Az akkumulátor-túlmelegedés elleni védelem csak csillaggal jelölt akkumulátorral működik.

► **Ábra3:** 1. Csillag jelzés

Mélykisütés elleni védelem

► **Ábra4:** 1. Akkumulátortöltöttség-jelző










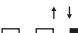
Ha a rendelkezésre álló akkumulátorkapacitás lecsökken, akkor villogni kezd a megfelelő oldali akkumulátor akkumulátorjelzője. További használat esetén a szerszám leáll, és az akkumulátorjelző körülbelül 10 másodpercen keresztül világít. Ilyen esetben tölts fel az akkumulátort.

Az akkumulátor töltöttségének jelzése

Csak állapotjelzős akkumulátorok esetén

► **Ábra5:** 1. Jelzőlámpák 2. Check (ellenőrzés) gomb

Nyomja meg az ellenőrzőgombot, hogy az akkumulátortöltöttség-jelző megmutassa a hátralévő akkumulátorkapacitást. Ekkor a töltöttségintenzitás jelző lámpák néhány másodpercre kigyulladnak.

Jelzőlámpák			Töltöttségi szint
 Világító lámpa	 KI	 Villogó lámpa	
			75%-tól 100%-ig
			50%-tól 75%-ig
			25%-tól 50%-ig
			0%-tól 25%-ig
			Tölts fel az akkumulátort.
 			Lehetséges, hogy az akkumulátor meghibásodott.

MEGJEGYZÉS: Az adott munkafeltételektől és a környezeti hőmérsékletétől függően a jelzett töltöttségi szint némileg eltérhet a tényleges töltöttségi szinttől.

A kapcsoló használata

⚠ VIGYÁZAT:

- Mielőtt beszerelné az akkumulátort a szerszámba, mindig ellenőrizze, hogy a kioldókapcsoló hibátlanul működik és az „OFF” állásba áll felengedéskor.

► **Ábra6:** 1. Kireteszelőgomb 2. Kioldókapcsoló

Egy kireteszelőgomb szolgál annak elkerülésére, hogy a kioldókapcsolót véletlenül meghúzzák. A szerszám bekapcsolásához nyomja le a kireteszelőgombot és húzza meg a kioldókapcsolót. Engedje fel a kioldókapcsolót a leállításhoz.

A láncfék ellenőrzése

MEGJEGYZÉS:

- Ha a láncfűrész nem indul el, akkor fel kell engedni a láncféket. Húzza határozottan visszafelé az első kézvédőt amíg nem érzi, hogy összekapcsol.

Bekapcsoláskor a láncfűrész erősen fogja mindkét kezével. A felső markolatot jobb kézzel, az elsőt pedig a balal fogja. A láncvezető és a lánc nem érhet semmilyen tárgyhoz. Előbb nyomja le a kireteszelőgombot, majd a kioldókapcsolót. A láncfűrész azonnal bekapcsol.

► **Ábra7:** 1. Elülső kézvédő 2. Elreteszelés 3. Kioldás

Nyomja előrefele az első kézvédőt a kézfejével. A láncfűrésznek azonnal meg kell állnia.

⚠ VIGYÁZAT:

- Ha láncfűrész nem áll meg azonnal egy ilyen ellenőrzés során, akkor a fűrész semmilyen körülmények között nem szabad használni. Lépjen kapcsolatba egy MAKITA szakszervizzel.

A leállító fék ellenőrzése

Kapcsolja be a láncfűrész.

Teljesen engedje fel a kioldókapcsolót. A láncfűrésznek egy másodpercen belül meg kell állnia.

⚠ VIGYÁZAT:

- Ha láncfűrész nem áll meg egy másodpercen belül egy ilyen ellenőrzés során, akkor a fűrész nem szabad használni. Lépjen kapcsolatba egy MAKITA szakszervizzel.

A lánckenés beállítása

► **Ábra8:** 1. Beállítócsavar

Az olajszivattyú szállítási teljesítménye a szabályzócsavarral állítható be. Az olajmennyiséget a franciakuclussal lehet állítani.

Karabiner (kötél csatlakozási pontja)

► **Ábra9**

A karabiner (a kötél csatlakozási pontja) a szerszám felakasztására szolgál. A karabinert használat előtt húzza ki, és kössön rá egy kötele.

ÖSSZESZERELÉS

⚠ VIGYÁZAT:

- Minden esetben ellenőrizze, hogy a szerszám ki van kapcsolva és az akkumulátor eltávolításra került mielőtt bármilyen műveletet végez a szerszámon.

A fűrészlánc eltávolítása és felhelyezése

⚠ VIGYÁZAT:

- Mindig viseljen kesztyűt a fűrészlánc felhelyezésekor vagy eltávolításakor.
- A fűrészlánc és a láncvezető a használat után még forró marad. Hagyja őket lehűlni, mielőtt bármilyen munkát végez a szerszámon.

A fűrészlánc eltávolításához hajtsa végre a következő lépéseket:

1. Nyomja meg és nyissa ki teljesen a kart ütközésig.

► **Ábra10:** 1. Lánckerék fedél 2. Kar

2. Forgassa el a szabályozótárcsát a „-” irányba a fűrészláncfeszítés kioldásához.

► **Ábra11:** 1. Szabályozótárcsa

3. Forgassa el a kart az óramutató járásával ellentétesen a lánckerék fedelének meglazításához, amíg az lejön.

4. Távolítsa el a lánckerék fedelét.

5. Távolítsa el a láncot és a láncvezetőt a láncfűrészről.

A fűrészlánc felhelyezéséhez hajtsa végre a következő lépéseket:

6. Ellenőrizze a lánc irányát. A láncban lévő nyíl jel mutatja a lánc irányát.

► **Ábra12:** 1. Lánckerék

7. Illesse a fűrészlánc egyik végét a láncvezető tetejére, a másik végét pedig a lánckerék köré.

8. Fektesse a láncvezetőt a helyére a láncfűrészben.

9. Forgassa el a szabályozótárcsát „-” irányba, hogy az állítócsap a nyíl irányába csússzon.

► **Ábra13:** 1. Szabályozó tű

10. Úgy forgassa a lánckerék fedelét a láncfűrészben, hogy az állítócsap a láncvezetőn található kis furatban legyen.

► **Ábra14:** 1. Furat 2. Vezetőrúd

11. Fordítsa el a kart teljesen jobbra és egy negyed fordulattal vissza, hogy megőrizze az állítólánc lazaságát.

12. Forgassa el a szabályozótárcsát, és állítsa be a lánc feszességét.

13. Fordítsa el a kart az óramutató járásával megegyezően a lánckerék fedelének rögzítéséhez.

► **Ábra15:** 1. Lánckerék fedél 2. Kar

14. Nyomja meg és állítsa vissza a kart az eredeti helyzetébe.

A fűrészlánc feszességének beállítása

Több órás használat után a fűrészlánc meglazulhat. A használat előtt időről időre ellenőrizze a fűrészlánc feszességét.

1. Nyomja meg és nyissa ki teljesen a kart kattanásig. Fordítsa el a kart az óramutató járásával ellentétesen a lánckerék fedelének kismértékű meglazításához.

► **Ábra16:** 1. Lánckerék fedél 2. Kar

2. Emelje meg kissé a láncvezető tetejét.

► **Ábra17:** 1. Lazítsa meg 2. Rögzíteni
3. Szabályozótárcsa 4. Vezetőrúd
5. Fűrészlánc

3. Forgassa el a szabályozótárcsát a fűrészláncfeszítés beállításához. Szorítsa meg a fűrészláncot, amíg a lánc alsó oldala nem illeszkedik a láncvezető sínre (lásd a kört az ábrán).

4. Tartsa meg enyhén a láncvezetőt, és húzza meg a lánckerék fedelét a láncceszesség beállítása után. Győződjön meg arról, hogy a fűrészlánc nem lazul meg az alsó oldalán.

5. Nyomja meg és állítsa vissza a kart az eredeti helyzetébe.

► **Ábra18:** 1. Lánckerék fedél 2. Kar

Győződjön meg róla, hogy a fűrészlánc pontosan illeszkedik a vezető alsó részéhez.

⚠ VIGYÁZAT:

- Ne húzza túl a fűrészláncot. A túlságosan feszes fűrészlánc elszakadhat, a láncvezető túlzott kopását és a szabályozótárcsa törését okozhatja.
- A túl laza lánc leugorhat a láncvezetőről, ami balesetveszélyt jelent.
- A fűrészlánc felhelyezését és eltávolítását tiszta, fűrészportól és hasonló anyagoktól mentes helyen végezze el.

Rönktámasz (opcionális tartozék)

► **Ábra19**

A rönktámasz felhelyezéséhez hajtsa végre a következő lépéseket:

1. Távolítsa el a lánckerék fedelét, a fűrészláncot és a láncvezetőt a használati útmutatóban leírtak szerint.
2. Helyezze el a hegyekkel felfelé mutató rönktámaszt úgy, hogy a nyílások egy vonalba kerüljenek a láncfűrészben lévő nyílásokkal.
3. Szorítsa meg a rönktámaszt a két mellékelt csavarral.

ÜZEMELTETÉS

⚠ VIGYÁZAT: Ne takarja el a szellőzőnyílásokat, mert az a szerszám túlmelegedéséhez és károsodásához vezethet.

Kenés

► **Ábra20:** 1. Olajtartály záró sapkája 2. Olajszintjelző ablak (olaj-utántöltéshez) 3. Olajvizsgáló ablak

A fűrészlánc kenése a szerszám működése közben automatikusan történik.

Az olajellenőrző ablakon át ellenőrizze az olajtartályban maradt olaj mennyiségét.

A tartály újratöltéséhez vegye le a sapkát az olajtartály nyílásáról.

A tartály feltöltése után mindig csavarja vissza az olajtartály fedelét a láncfűrészre.

⚠ VIGYÁZAT:

- Amikor a láncfűrészbe először tölt olajat, vagy újra feltölti a tartályt úgy, hogy előtte ki volt ürítve, a töltőnyak alsó széléig öntse az olajat. Ellenkező esetben az olajtovábbítás romolhat.
- Láncolajként használjon kizárólag Makita láncfűrészekhez való olajat, vagy a kereskedelemben kapható olajat.
- Soha ne használjon porral szennyezett vagy illékony olajat.
- Fák metszésekor használjon növényi olajat. Az ásványi olaj károsíthatja a fákat.
- Fák metszésekor soha ne erőltesse a láncfűrészre.
- Kivágás előtt ellenőrizze, hogy az olajtartály sapkája a helyén van.

► **Ábra21**

Tartsa el a láncfűrészre a fától. Indítsa be és várja meg, amíg a fűrészlánc kenése megfelelő.

A rönktámaszt hozzá érintkezésbe a levágni kívánt ággal meg a fűrész bekapcsolása előtt. Ellenkező esetben a láncvezető kilenghet, ami a fűrész kezelőjének sérülését okozhatja.

Fűrészjelje a vágni kívánt fát úgy, hogy csak lefelé mozgatja azt.

MUNKAVÉGZÉS A LÁNCFÜRÉSSZEL

Fák metszése

► **Ábra22:** 1. Rönktámasz

⚠ VIGYÁZAT:

- A motor működésekor tartsa távol a testrészeit a fűrészlánctól.
- A motor működésekor a láncfűrészre erősen fogja mindkét kezével.
- Ne hajoljon előre túlságosan. Mindig álljon biztosan és vigyázzon az egyensúlyára.

A rönktámaszt hozzá érintkezésbe a levágni kívánt ággal meg a fűrész bekapcsolása előtt. Ha úgy kezdi el a vágást, hogy a rönktámaszt nem hozta érintkezésbe az ággal, akkor a láncvezető kilenghet, ami a fűrész kezelőjének sérülését okozhatja.

► **Ábra23**

Vastag ágak vágásakor előbb készítsen sekély alávágást és ezután fejezze be a vágást felülről.

► **Ábra24**

Ha a vastag ágakat alulról próbálja meg átvágni, akkor az ág összeszorulhat és a lánc beszorulhat a fűrészjáratba.

Ha a vastag ágakat felülről, de alávágás nélkül próbálja meg átvágni, akkor az ág forgácsolódhat.

► **Ábra25**

Ha a fát nem tudja egy ütemben átvágni:

Kissé nyomja le a fűrészre a markolatánál és folytassa a vágást, a fűrész kicsit visszahúzva; ezután nyomja lejjebb a fűrész hegyét és fejezze be a vágást a markolat felemelésével.

A szerszám szállítása

► **Ábra26:** 1. Láncvezető burkolat 2. Akkumulátor fedél

A szerszám szállítása előtt mindig távolítsa el az akkumulátort, és a láncvezetőt pedig fedje le a védőtokkal. Az akkumulátorra is tegye rá a fedelét.

KARBANTARTÁS

⚠ VIGYÁZAT:

- Minden esetben ellenőrizze, hogy a szerszám ki van kapcsolva és az akkumulátor eltávolításra került mielőtt átvizsgálja a szerszámot vagy annak karbantartását végzi.
- A szerszám átvizsgálásához vagy karbantartásához mindig vegyen fel védőkesztyűt.
- Soha ne használjon gázolajt, benzint, hígítót, alkoholt vagy hasonló anyagokat. Ezek elszíneződést, alakvesztést vagy repedést okozhatnak.

A fűrészlánc élezése

▲ VIGYÁZAT:

- Mindig vegye ki az akkumulátort, és vegyen fel védőkesztyűt amikor munkákat végez a fűrészláncan.

▶ Ábra27

Élezze meg a fűrészláncot, ha:

- Lisztyszerű fűrészpor képződik nedves fa vágásakor;
- A lánc nehezen hatol be a fába, még ha erős nyomást alkalmaznak is;
- A vágóélen látható sérülések vannak;
- A fűrész balra vagy jobbra húz a fában. Az ilyen viselkedés oka a fűrészlánc egyenetlen élezése, vagy csak az egyik oldal sérülése.

Gyakran élezze a fűrészláncot, de mindig csak egy kevés anyagot távolítson el.

Két vagy három húzás egy reszelővel általában elegendő a szokásos újraélezéshez. Miután a fűrészláncot többször újraélezte, éleztesse meg egy MAKITA szakszervizben.

Az élezés feltételei:

- Az összes vágóhossznak meg kell egyeznie. Az eltérő hosszúságú vágószemek meggátolják, hogy a lánc simán fusson, és a lánc szakadását okozhatják.
- Ne élezze a láncot, ha a vágószem hossza elérte a minimális, 3 mm-es értéket. Ekkor egy új láncot kell felrakni.
- A forgács vastagságát a mélységmérő (kerek nyúlvány) és a vágóél közötti távolság határozza meg.
- A legjobb eredmény akkor érhető el, ha a vágóél és a mélységmérő közötti távolság a következőképpen alakul.
 - 90PX láncél: 0,5 mm
 - 91PX láncél: 0,65 mm
 - 25AP láncél: 0,65 mm

- ▶ **Ábra28:** 1. Vágási hossz 2. A vágóél és a mélységmérő közötti távolság 3. Legalább 3 mm

▲ FIGYELMEZTETÉS:

- A túl nagy távolság növeli a visszarúgás kockázatát.

- Az élezési szögnek állandó, 30 °-os értékűnek kell lennie minden vágószem esetében. Ha a szögek eltérőek, akkor a lánc futása akadózó és egyenetlen lesz, a kopás megnő, és a lánc elszakadhat.
- A vágószem oldallapjának szögét a kerek reszelő behatolási mélysége határozza meg. A reszelő megfelelő használata esetén az oldallap szöge automatikusan a szükséges mértékűvé válik.
- A vágószem oldallapjának szöge az egyes fűrészláncok esetében a következő:
 - 90PX láncél: 75°
 - 91PX láncél: 80°
 - 25AP láncél: 85°

- ▶ **Ábra29:** 1. Oldallap szöge

Reszelő és a reszelő vezetése

- A fűrészláncok élezéséhez speciális kerek reszelőt (külön rendelhető kiegészítő) használjon. A normál kerek reszelők nem megfelelőek.
- A fűrészláncok kerek reszelőinek átmérői a következőképpen alakulnak:
 - 90PX láncél: 4,5 mm
 - 91PX láncél: 4,0 mm
 - 25AP láncél: 4,0 mm
- A reszelőnek csak az előretolásakor kell anyagot eltávolítania a vágószemből. Visszahúzáskor emelje fel a reszelőt a vágószemről.
- Előbb a legrövidebb vágószemet élezze meg. Ezután ennek a legrövidebb vágószemnek a hossza válik standard méretté a láncfűrész összes többi vágószeme számára.

▶ Ábra30

- A reszelőt az ábrán látható módon vezesse.
- A reszelőt könnyebb mozgatni, ha reszelőfogót (opcionális kiegészítő) használ. A reszelőfogón meg van jelölve a helyes, 30 °-os élezési szög (a jelzéseket igazítsa a fűrészláncal párhuzamosan) és korlátozva van a behatolási mélység (a reszelő átmérőjének 4/5-ére).

▶ Ábra31

- A lánc megélezése után ellenőrizze a mélységmérő magasságát a láncellenőrző eszközzel (opcionális kiegészítő).

▶ Ábra32

- Távolítsa el az esetleges sorját, bármilyen kevés is legyen az, egy speciális lapos reszelővel (opcionális kiegészítő).
- Újból kerekítse le a mélységmérő elülső részét.

A láncvezető tisztítása

▶ Ábra33

A forgács és a fűrészpor felgyülemlik a láncvezető vájában, eltömíti azt, és akadályozza az olaj áramlását. Mindig távolítsa el a forgácsot és a fűrészport amikor élezi vagy cseréli a fűrészláncot.

Az olajleeresztő furat megtisztítása

Az olajleeresztő nyílásban szállópor vagy más apró szemcsék halmozódhatnak fel a működés során. Az olajleeresztőben felhalmozódott szállópor vagy apró szemcsék ronthatják az kifolyást az olajkieresztő nyíláson át, és a fűrészlánc elégtelen kenését okozhatják. Amikor a láncvezető felső részén a láncolaj továbbítása elégtelen, tisztítsa meg az olaj kifolyónyílását a következő módon. Vegye ki az akkumulátort a szerszámból. Távolítsa el a lánckerék fedelét és a fűrészláncot a szerszámról. (Tájékoztódjon "A fűrészlánc felhelyezése és eltávolítása" fejezetből.)

▶ Ábra34: 1. Hornyolt fejű csavarhúzó

Távolítsa el a szállóport és az apró részecskéket egy vékony-szárú lapos csavarhúzóval, vagy más megfelelő szerszámmal. Helyezze be az akkumulátort a szerszámba. Húzza meg a kioldókapcsolót a lerakódott por vagy szemcsék eltávolításához az olajkieresztő nyílásból a láncolaj kieresztésével. Vegye ki az akkumulátort a szerszámból. Helyezze vissza a lánckerék fedelét és a fűrészláncot a szerszáma.

A lánckerék cseréje

► Ábra35: 1. Lánckerék 2. Zárógyűrű

Mielőtt felrakja az új fűrészláncot, ellenőrizze a lánckerék állapotát.

▲ VIGYÁZAT:

- Az elkopott lánckerék károsítja az új fűrészláncot. Ebben az esetben cserélje ki a lánckereket. A lánckereket mindig úgy kell felszerelni, hogy az ábrán látható módon álljon.

► Ábra36: 1. Zárógyűrű 2. Lánckerék

A fogaskerék cseréjekor mindig új reteszelőgyűrűt helyezzen fel.

A szénkefék cseréje

► Ábra37: 1. Határjelzés

A szénkeféket cserélje és ellenőrizze rendszeresen. Cserélje ki azokat amikor lekopnak egészen a határjelzésig. Tartsa tisztán a szénkeféket és biztosítsa hogy szabadon mozoghassanak tartójukban. Mindkét szénkefét egyszerre cserélje ki. Használjon egyforma szénkeféket.

► Ábra38: 1. Kefetartó sapka 2. Csavarhúzó

Csavarhúzó segítségével távolítsa el a kefetartó sapkákat. Vegye ki a kopott szénkeféket, tegye be az újakat és helyezze vissza a kefetartó sapkákat.

A szerszám tárolása

Tárolás előtt tisztítsa meg a szerszámot. A lánckerék fedelének levétele után távolítsa el a forgácsot és a fűrészport a szerszámról. A szerszámot a tisztítás után működtesse terhelés nélkül, hogy megtörténjen a fűrészlánc és a lánccvezető kenése.

Fedje le a lánccvezetőt a védőtokkal. Ürítse ki az olajtartályt és rakja fel a fűrészláncot.

A termék BIZTONSÁGÁNAK és MEGBÍZHATÓSÁGÁNAK fenntartásához, a javításokat, bármilyen egyéb karbantartást vagy beszbábelőzést a Makita Autorizált Szervizközpontoknak kell végrehajtaniuk, mindig Makita pótalkatrészek használatával.

Utasítások a rendszeres karbantartásra és ápolásra vonatkozóan

A biztonsági berendezések hosszú élettartalmának és megfelelő működésének biztosításához és károsodásuk elkerülése érdekében az alábbiakban leírt karbantartási munkákat rendszeresen el kell végezni.

A reklamációkat csak abban az esetben ismerjük el jogosnak, ha ezeket a munkákat rendszeresen és megfelelően elvégezték. A balesetek oka lehet ezen előírások be nem tartása!

A lánccfűrész használóinak csak a használati utasításban ismertetett karbantartási és állagmegóvási munkákat kell elvégezniük. Bármilyen más műveletet a hivatalos szakszerviznek kell elvégeznie.

Elem	Használati idő	Használat					
		előtt	Minden nap	Minden héten	3 havonta	Évente	Tárolás előtt
Lánccfűrész	Ellenőrzés.	○					
	Tisztítás.		○				
	Ellenőriztesse a hivatalos szervizközpontban.					○	○
Fűrészlánc	Ellenőrzés.	○					
	Szükség esetén élezze meg.						○
Vezetőrúd	Ellenőrzés.	○	○				
	Távolítsa el a lánccfűrészről.						○
Lánccfék	Ellenőrizze a működést.	○					
	Ellenőriztesse rendszeresen a hivatalos szervizközpontban.					○	
A láncc kenése	Ellenőrizze az olajadagolást.	○					
Kapcsoló kioldógomb	Ellenőrzés.	○					
Kireteszelőgomb	Ellenőrzés.	○					
Olajtartály záró sapkája	Ellenőrizze, hogy szorosan illeszkedik-e.	○					
Lánccfogó	Ellenőrzés.					○	
Csavarok és anyák	Ellenőrzés.					○	

HIBAELHÁRÍTÁS

Mielőtt a szervizhez fordulna, először végezzen saját maga is átvizsgálást. Ha olyan problémát talál, amire a kézikönyv nem tartalmaz magyarázatot, ne próbálja meg szétszedni az eszközt. Ehelyett kérjen tanácsot a Makita hivatalos szervizközpontjától, és javításhoz mindig Makita cserealkatrészeket használjon.

Meghibásodás állapota	Ok	Teendő
A láncfűrész nem indul be.	Két akkumulátor nincs behelyezve.	Helyezze be a feltöltött akkumulátort.
	Akkumulátorprobléma (alacsony a feszültség).	Töltse fel az akkumulátort. Ha az újratöltés nem elég hatékony, cserélje ki az akkumulátort.
A lánc nem indul be.	Be van kapcsolva a láncfék.	Oldja ki a láncfékét.
A motor rövid használat után leáll.	Az akkumulátor töltési szintje alacsony.	Töltse fel az akkumulátort. Ha az újratöltés nem elég hatékony, cserélje ki az akkumulátort.
Nincs olaj a láncon.	Üres az olajtartály.	Töltse fel az olajtartályt.
	Beszennyeződött az olajadagoló horony.	Tisztítsa meg a hornyot.
	Az adagolt olaj beállítása nem megfelelő.	Állítsa be az adagolt olaj mennyiségét.
A gép nem éri el a maximális fordulatszámot.	Az akkumulátort helytelenül szerelték be.	Az akkumulátort az útmutató szerint szerelje be.
	Az akkumulátor feszültsége leesik.	Töltse fel az akkumulátort. Ha az újratöltés nem elég hatékony, cserélje ki az akkumulátort.
	A meghajtórendszer nem működik megfelelően.	Javításért forduljon a kijelölt helyi szervizhez.
A lánc nem áll le a láncfék bekapcsolása ellenére sem: Haladéktalanul állítsa le a gépet!	Elkopott a fékszalag.	Javításért forduljon a kijelölt helyi szervizhez.
A gép rendellenesen rezeg: haladéktalanul állítsa le a gépet!	Lazítsa meg a láncvezetőt vagy a fűrészláncot.	Állítsa be a láncvezető és a fűrészlánc feszességét.
	A szerszám hibás működése.	Javításért forduljon a kijelölt helyi szervizhez.

OPCIONÁLIS KIEGÉSZÍTŐK

VIGYÁZAT:

- Ezek a tartozékok vagy kellékek ajánlottak az Önnek ebben a kézikönyvben leírt Makita szerzőszámához. Bármely más tartozék vagy kellék használata személyes veszélyt vagy sérülést jelenthet. A tartozékot vagy kelléket használja csupán annak kifejezett rendeltetésére.

Ha bármilyen segítségre vagy további információkra van szüksége ezekkel a tartozékokkal kapcsolatban, keresse fel a helyi Makita Szervizközpontot.

- Eredeti Makita akkumulátor és töltő
- Fűrészlánc
- Láncvezető
- Láncvezető burkolat
- Reszelő
- Szerszámtáska

MEGJEGYZÉS:

- A listán felsorolt néhány kiegészítő megtalálható az eszköz csomagolásában standard kiegészítőként. Ezek országonként eltérőek lehetnek.

TECHNICKÉ ÚDAJE

Model		DUC252		DUC302
Štandardná vodiaca tyč	Dĺžka vodiacej lišty	250 mm		300 mm
	Dĺžka rezu	23 cm	24 cm	28 cm
	Druh	Lišta s ozubeným koncom	Lišta na vyrezávanie	Lišta s ozubeným koncom
Štandardná pílová reťaz	Druh	91PX	25AP	90PX
	Stúpanie závitů	9,5 mm (3/8")	6,35 mm (1/4")	9,5 mm (3/8")
	Rozmer	1,3 mm (0,05")	1,3 mm (0,05")	1,1 mm (0,043")
	Počet vodiacich článkov	40	60	46
Reťazové koleso	Počet zubov	6	9	6
	Stúpanie závitů	9,5 mm (3/8")	6,35 mm (1/4")	9,5 mm (3/8")
Celková dĺžka (bez vodiacej tyče)		316 mm		
Hmotnosť netto	*1	4,1 kg		
	*2	4,6 kg		4,7 kg
Rýchlosť reťaze za minútu		8,3 m/s (500 m/min)		
Objem nádrže na reťazový olej		85 cm ³		
Menovité napätie		Jednosmerný prúd 36 V	Jednosmerný prúd 36 V	

* Vzhľadom k neustálemu výskumu a vývoju tu uvedené technické údaje podliehajú zmenám bez upozornenia.

* Technické špecifikácie a typ akumulátora sa môžu v rámci jednotlivých krajín líšiť.










*1 Hmotnosť s najťažšou kazetou akumulátora, bez vodiacej lišty a reťaze, s prázdnu olejovú nádržou, podľa normy EN ISO 11681-2.



*2 Hmotnosť s kazetou akumulátora, vodiacou lištou a reťazou, naplnenou olejovú nádržou, podľa postupu EPTA 01/2003.

VÝSTRAHA: Používajte správnu kombináciu vodiacej lišty a pílovej reťaze. V opačnom prípade môže dôjsť k vážnemu poraneniu.

Symbody

Nižšie sú uvedené symbody, s ktorými sa môžete pri použití nástroja stretnúť. Je dôležité, aby ste skôr, než s nimi začnete pracovať, pochopili ich význam.

	Prečítajte si návod na používanie.
	Používajte ochranu očí.
	Používajte ochranu uší.
	Používajte ochrannú prilbu, okuliare a chrániče sluchu.
	Používajte primeranú ochranu pre chodidlá-nohy a ruky-ramená.
	Túto pílu môžu obsluhovať len primerane zaškolení pracovníci.
	Nevystavujte daždž.
	Maximálna dovolená dĺžka rezu
	Smer pohybu reťaze

	Nastavenie množstva oleja pre pílovú reťaz
	Len pre štáty EÚ Nevyhadzujte elektrické zariadenia alebo batériu do komunálneho odpadu! Podľa európskej smernice o nakladaní s použitými elektrickými a elektronickými zariadeniami a smernice o batériách a akumulátoroch a odpadových batériách a akumulátoroch a ich implementovaní, ako aj podľa zodpovedajúcich ustanovení právnych predpisov jednotlivých krajín, je nutné elektrické zariadenia a batérie po skončení ich životnosti triediť a odovzdať na zberné miesto vykonávajúce environmentálne kompatibilné recyklovanie.

Určené použitie

Toto náradie je určené na rezanie konárov / prerézavanie stromov. Je vhodné aj na vykonávanie ošetrovania stromov.

Hluk

Typická hladina akustického tlaku pri záťaži A určená podľa EN60745-2-13:

Hladina akustického tlaku (L_{pA}): 84,4 dB (A)

Hladina akustického výkonu (L_{WA}): 95,4 dB (A)

Odchýlka (K): 2,5 dB (A)

Používajte chrániče sluchu

Vibrácie

Celková hodnota vibrácií (trojosový vektorový súčet) určená podľa normy EN60745-2-13:

Model DUC252

Pracovný režim: rezanie dreva

Emisie vibrácií (a_h): 4,7 m/s²

Odchýlka (K): 1,5 m/s²

Model DUC302

Pracovný režim: rezanie dreva

Emisie vibrácií (a_h): 6,3 m/s²

Odchýlka (K): 1,5 m/s²

POZNÁMKA: Deklarovaná hodnota emisií vibrácií bola meraná podľa štandardnej skúšobnej metódy a môže sa použiť na porovnanie jedného náradia s druhým.

POZNÁMKA: Deklarovaná hodnota emisií vibrácií sa môže použiť aj na predbežné posúdenie vystavenia účinkom.

VAROVANIE: Emisie vibrácií počas skutočného používania elektrického náradia sa môžu odlišovať od deklarovanej hodnoty emisií vibrácií, a to v závislosti na spôsoboch používania náradia.

VAROVANIE: Nezabudnite označiť bezpečnostné opatrenia s cieľom chrániť obsluhu, a to tie, ktoré sa zakladajú na odhade vystavenia účinkom v rámci reálnych podmienok používania (berúc do úvahy všetky súčasti prevádzkového cyklu, ako sú doby, kedy je náradie vypnuté a kedy beží bez zaťaženia, ako dodatok k dobre zapnutia).

Vyhlasenie o zhode ES

Len pre krajiny Európy

Vyhlasenie o zhode ES sa nachádza v prílohe A tohto návodu na obsluhu.

Všeobecné bezpečnostné predpisy pre elektronáradie

UPOZORNENIE Prečítajte si všetky upozornenia a inštrukcie. Nedodržovanie pokynov a inštrukcií môže mať za následok úraz elektrickým prúdom, požiar alebo vážne zranenie.

Všetky pokyny a inštrukcie si odložte pre prípad potreby v budúcnosti.

Bezpečnostné výstrahy pre akumulátorovú pílu:

- Ak je motor v prevádzke, nepribližujte sa žiadnou časťou tela k reťazovej píle. Pred spustením reťazovej píly skontrolujte, či sa píla ničoho nedotýka.** Chvíľa nepozornosti počas práce s reťazovou pilou môže zapríčiniť zamotanie vášho odevu alebo tela do reťaze píly.
- Reťazovú pílu držte oboma rukami; reťazovú pílu vždy držte pravou rukou za zadnú rukoväť a ľavou rukou za prednú rukoväť.** Pri opáčnom držaní reťazovej píly sa zvyšuje riziko osobného poranenia, preto by sa nemalo nikdy používať.

- Elektrické náradie pri práci držte len za izolované úchopné povrchy, lebo píla reťaze sa môže dostať do kontaktu so skrytými vodičmi.** Píla reťaze, ktorá sa dostane do kontaktu so „živým“ vodičom môže spôsobiť vystavenie kovových častí elektrického náradia „živému“ prúdu a spôsobiť tak obsluhu zasiahnutie elektrickým prúdom.
- Používajte chránič zraku a sluchu. Odporúča sa používať ďalšie ochranné vybavenie pre hlavu, ruky, nohy a chodidlá.** Prímeraný ochranný odev znižuje riziko osobného poranenia od odletujúcich triesok spôsobeného náhodným kontaktom s reťazovou pilou.
- Taktiež vždy zaujmite správny postoj.** Šmyklavé alebo nestabilné povrchy môžu mať za následok stratu rovnováhy alebo ovládania reťazovej píly.
- Pri rezaní napnutého konára dávajte pozor na spätný náraz.** Pri uvoľnení napnutia vo vláknach dreva môže uvoľnená vetva udrieť obsluhujúceho a/alebo spôsobiť stratu kontroly nad reťazovou pilou.
- Pri rezaní krikov a porastu buďte zvlášť opatrní.** Tenké materiály sa môžu zachytiť o reťaz píly a šľahnúť smerom k vám alebo spôsobiť stratu rovnováhy.
- Reťazovú pílu prenášajte vo vypnutom stave za prednú rukoväť a držte ju prítom od tela. Pri prenášaní alebo odložení reťazovej píly vždy nasadte kryt vodiacej lišty.** Správne zaobchádzanie s reťazovou pilou znižuje pravdepodobnosť náhodného kontaktu s pohybujúcou sa reťazou píly.
- Pri mazaní, nastavovaní napnutia reťaze a výmene príslušenstva postupujte podľa pokynov.** Nesprávne napnutá alebo namazaná reťaz sa môže pretrhnúť alebo zvýšiť riziko spätného nárazu.
- Rukoväte udržiavajte suché, čisté a bez oleja a mastnoty.** Mastne alebo zaolejšované rukoväte sú šmyklavé a môžu spôsobiť stratu kontroly.
- Režte len drevo. Nepoužívajte reťazovú pílu na iné ako určené účely. Napríklad: nepoužívajte reťazovú pílu na rezanie plastov, muriva alebo nedrevených stavebných materiálov.** Pri používaní reťazovej píly na iné ako stanovené účely by mohlo dôjsť k nebezpečným situáciám.
- Príčiny spätného nárazu a ako im obsluha zabráni:**
Keď sa predná časť alebo hrot vodiacej lišty dotkne nejakého objektu alebo keď drevo uzavrie a priškrtní reťaz píly v reze, môže dôjsť k spätnému nárazu.
Pri kontakte hrotu môže v niektorých prípadoch dôjsť k náhlejšej spätnej reakcii a úderu vodiacej lišty nahor a dozadu smerom k obsluhujúcej osobe.
Pri priškrtení reťaze píly pozdĺž horného okraja vodiacej lišty môže dôjsť k rýchlemu nadskočeniu vodiacej lišty dozadu smerom k obsluhujúcej osobe.
Obe tieto reakcie môžu spôsobiť stratu vašej kontroly nad pilou a následne vážne osobné poranenie. Nespoliehajte sa výhradne na bezpečnostné vybavenie namontované na píle. Ako užívateľ reťazovej píly musíte vykonať niekoľko krokov, aby pri rezaní nedošlo k nehode alebo poraneniu.

Spätný náraz je výsledok nesprávneho používania nástroja a/alebo nesprávnych prevádzkových postupov alebo podmienok a možno sa mu vyhnúť vykonaním príslušných protiopatrení uvedených nižšie:

— **Udržiavajte pevný úchop, aby palce a prsty uzavierali rukoväť reťazovej pily a obe ruky boli na pile s takým postojom tela a ramena, ktorý umožňuje odolávať silám spätných nárazov.** Sily spätných nárazov môže ovládať obsluhujúci, ak vykoná primerané opatrenia. Reťazovú pílu nepustite.

► Obr.1

- **Nezasahujte ani nerežte nad úroveň plic.** Tým dopomôžete zabrániť náhodnému kontaktu s hrotom a zabezpečíte si lepšie ovládanie pily v neočakávaných situáciách.
 - **Používajte jedine náhradné lišty a reťaze, ktoré uvádza výrobca.** Použitie nesprávnych náhradných lišt a reťazí môže mať za následok roztrhnutie reťaze a/alebo spätný náraz.
 - **Pri ostrení a údržbe dodržiavajte pokyny výrobcu pre reťazovú pílu.** Pri zmenšení výšky hĺbkového dorazu sa môže zvýšiť pravdepodobnosť spätného nárazu.
13. Pred začatím práce skontrolujte, či je reťazová píla v správnom prevádzkovom stave a či tento stav spĺňa bezpečnostné predpisy. Skontrolujte hlavne nasledujúce položky:
- Brzda reťaze funguje správne;
 - Zastavovacia brzda funguje správne;
 - Lišta a kryt reťazového kolesa sú správne upevnené;
 - Reťaz bola naostrená a napnutá podľa predpisov;
14. **Nespúšťajte reťazovú pílu s nainštalovaným krytom reťaze.** Spustenie reťazovej pily s nainštalovaným krytom reťaze môže spôsobiť jeho odhodenie dopredu s dôsledkom osobných poranení a poškodenia objektov okolo obsluhy.

Najdôležitejšie bezpečnostné výstrahy ohľadne manipulácie s reťazovou pilou

1. Táto reťazová píla je určená špeciálne na starostlivosť a ošetrovanie stromov. Reťazová píla je určená len na používanie správne zaškolenými osobami. Dodržiavajte všetky pokyny, postupy a odporúčania od príslušnej profesionálnej organizácie. V opačnom prípade môže dôjsť k smrteľným úrazom. Pri pílení v korunách stromov odporúčame vždy používať zdvíhaciu plošinu (osobná zdvíhacia plošina, výťah), zlaňovacie techniky sú mimoriadne nebezpečné a vyžadujú špeciálne zaškolenie. Obsluha musí byť vyškolená s cieľom oboznámiť sa s používaním ochranných zariadení a technikami lezenia/splhania. Pri práci na stromoch vždy používajte príslušné opasky/pásy, lána a karabíny. Vždy používajte pridržovacie zariadenie pre obsluhujúceho pracovníka aj pre pílu.

2. Pred uskladnením vykonajte postup čistenia a údržby podľa návodu na obsluhu.
3. Pri preprave zaistte bezpečnú polohu uloženia reťazovej pily, aby nedošlo k úniku paliva alebo reťazového oleja, poškodeniu náradia a osobnému poraneniu.
4. Pravidelne kontrolujte fungovanie brzdy reťaze.
5. Reťazový olej nepľňte v blízkosti ohňa. Keď plníte reťazový olej, nikdy nefajčíte.
6. Národné nariadenia môžu obmedzovať používanie reťazovej pily.
7. Ak bude zariadenie vystavené silnému nárazu, alebo ak spadne, pred pokračovaním v práci skontrolujte jeho stav. Skontrolujte, či nie sú ovládacie prvky a bezpečnostné zariadenia chybné. V prípade výskytu poškodenia alebo v prípade pochybností požiadajte naše autorizované servisné stredisko o vykonanie kontroly a opravy.
8. Pred spustením reťazovej pily vždy aktivujte brzdu reťaze.
9. Pri začatí rezu pevne držte pílu na mieste, aby ste zabránili kĺzaniu (pohyb šmykaním) alebo skákaníu. Na konci rezu dávajte pozor, aby ste vzhľadom na „pokles“ zachovali rovnováhu.
11. Zoberte do úvahy smer a rýchlosť vetra. Vyhybajte sa účinkom pilín a hmly z reťazového oleja.

Ochranné prostriedky

1. **Aby ste zabránili poraneniám hlavy, očí, rúk a nôh, a aby ste chránili svoj sluch, počas prevádzkovania reťazovej pily je nutné používať nasledovné ochranné prostriedky:**
 - Typ oblečenia musí byť primeraný, t.j. musí byť priliehavé, ale tak, aby neprekážalo. Nenoste šperky ani oblečenie, ktoré by sa mohli zamotať do kríkov alebo raždia. Ak máte dlhé vlasy, vždy noste sieťku na vlasy!
 - Pri práci s reťazovou pilou je potrebné vždy používať ochrannú prilbu. **Ochranná prilba** sa musí pravidelne kontrolovať, či nie je poškodená, a musí sa vymeniť maximálne pod 5. rokoch. Používajte len schválené ochranné prilby.
 - **Tvárový kryt** ochrannej prilby (alebo okuliare) chráni proti pilinám a dreveným trieskam. Pri práci s reťazovou pilou vždy používajte okuliare alebo tvárový kryt, aby nedošlo k poraneniu zraku.
 - Používajte primerané **prostriedky na ochranu pred hlukom** (tímiče na uši, zátky do uší a pod.).
 - **Ochranná bunda** pozostáva z 22 nylonových vrstiev a chráni obsluhu pred porenaním. Musí sa používať vždy pri práci zo zdvíhacích plošín (osobná zdvíhacia plošina, výťah), z plošín namontovaných na rebríčkoch alebo pri lezení/splhaní pomocou lán.
 - **Ochranná výstuha a montérky** sú vyrobené z nylonovej látky s 22 vrstvami a chránia proti porenaniu. Dôrazne ich odporúčame používať.
 - **Ochranné rukavice** vyrobené z hrubej kože sú súčasťou predpísaných prostriedkov a musia sa vždy počas práce s reťazovou pilou používať.

- Počas práce s reťazovou pílou sa musia vždy používať **bezpečnostné topánky** alebo **bezpečnostné čizmy** vybavené protišmykovými podošvami a oceľovými špičkami slúžiacimi na ochranu nôh. Bezpečnostné topánky vybavené ochrannou vrstvou zabezpečujú ochranu pred porezaním a zaisťujú bezpečnú oporu nôh. Pri práci na stromoch musia byť bezpečnostné topánky vhodné pre techniky šplhania/lezania.

Vibrácie

1. U osôb trpiacich slabým krvným obehom vystavených účinkom nadmerných vibrácií môže dôjsť k poraneniu krvných ciev alebo nervového systému. Vibrácie môžu v prípade prstov, rúk alebo zápästí spôsobiť nasledovné príznaky: „znetcitlivenie“ (meravosť), pálenie, bolesť, pocit pichania, zmena farby pokožky alebo kože. **V prípade výskytu ktoréhokoľvek z uvedených príznakov vyhľadajte lekára!** Na zníženie rizika „choroby bielych prstov“ udržiavajte počas práce ruky v teple a vykonávajte správnu údržbu náradia a príslušenstva.

TIETO POKYNY USCHOVAJTE.

VAROVANIE: NIKDY nepripustíte, aby pohodlie a dobrá znalosť výrobku (získané opakovaným používaním) nahradili presné dodržiavanie bezpečnostných pravidiel pre náradie. **NESPRÁVNE POUŽÍVANIE** alebo **nedodržiavanie bezpečnostných pokynov** uvedených v tomto návode na obsluhu môže spôsobiť vážne poranenia osôb.

DÔLEŽITÉ BEZPEČNOSTNÉ POKYNY

PRE JEDNOTKU AKUMULÁTORA

1. Pred použitím jednotky akumulátora si prečítajte všetky pokyny a záručné poznámky na (1) nabíjačke akumulátorov, (2) akumulátore a (3) produkte používajúcom akumulátor.
2. Jednotku akumulátora nerozoberajte.
3. Ak sa doba prevádzky príliš skráti, ihneď prerušte prácu. Môže nastať riziko prehriatia, možných popálením či dokonca explózie.
4. V prípade zasiahnutia očí elektrolytom ich vypláchnite čistou vodou a okamžite vyhľadajte lekársku pomoc. Môže dôjsť k strate zraku.
5. Jednotku akumulátora neskratujte:
 - (1) Nedotýkajte sa konektorov žiadnym vodivým materiálom.
 - (2) Neskladujte jednotku akumulátora v obale s inými kovovými predmetmi, napríklad klincami, mincami a pod.
 - (3) Nabíjačku akumulátorov nevystavujte vode ani dažďu.

Pri skratovaní akumulátora by mohlo dôjsť k vzrastu toku elektrického prúdu flow, prehriatiu, možným popáleninám či dokonca prebitiu.

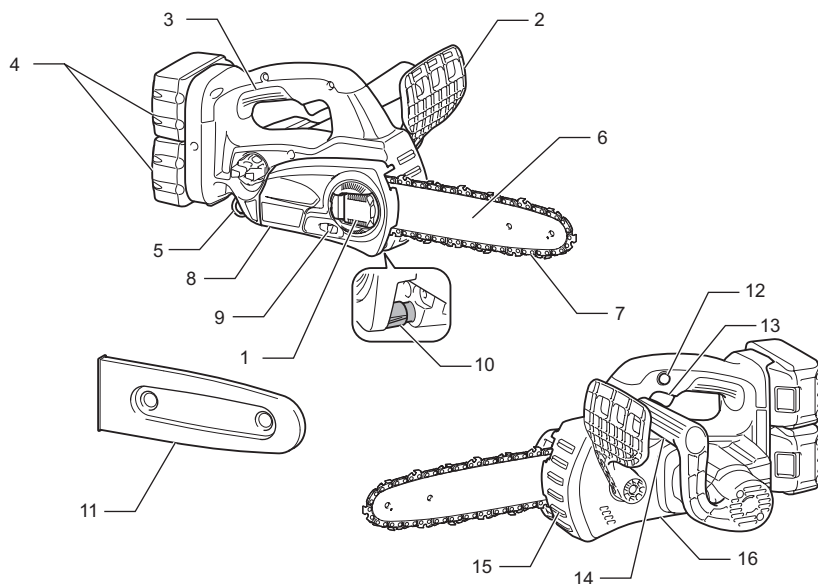
6. **Neskladujte nástroj ani jednotku akumulátora na miestach s teplotou presahujúcou 50°C (122°F).**
7. **Jednotku akumulátora nespálujte, ani keď je vážne poškodená alebo úplne vydratá. Jednotka akumulátora môže v ohni explodovať.**
8. **Dávajte pozor, aby akumulátor nespadol alebo nenarazil do niečoho.**
9. **Nepoužívajte poškodený akumulátor.**
10. **Akumulátor zneškodnite v zmysle miestnych nariadení.**

TIETO POKYNY USCHOVAJTE.

Rady pre udržanie maximálnej životnosti akumulátora

1. **Akumulátor nabíjajte ešte predtým, ako sa úplne vybije.** Vždy prerušte prácu s nástrojom a nabíjajte jednotku akumulátora, keď spozorujete nižší výkon nástroja.
2. **Nikdy nenabíjajte plne nabitú jednotku akumulátora.** Prebíjanie skracuje životnosť akumulátora.
3. **Jednotku akumulátora nabíjajte pri izbovej teplote pri 10°C - 40°C (50°F - 104°F).** Pred nabíjaním nechajte jednotku akumulátora vychladnúť.
4. **Pokiaľ sa akumulátor dlhodobo nepoužíva, nabíjajte ho raz za šesť mesiacov.**

POPIS SÚČASTÍ



1	Páčka	2	Kryt prednej rukoväte	3	Horná rúčka
4	Kazeta akumulátora	5	Karabína (bod pripojenia lanka)	6	Vodiaca lišta
7	Pílová reťaz	8	Kryt reťazového kolesa	9	Nastavovací číselník
10	Zachytávač reťaze	11	Kryt vodiacej tyče	12	Tlačidlo odomknutia
13	Spúšť	14	Predná rukoväť	15	Klinový tlmič
16	Nastavovacia skrutka olejového čerpadla (v spodnej časti)	-	-	-	-

POPIS FUNKCIE

⚠️ POZOR:

- Pred úpravou alebo kontrolou funkčnosti nástroja vždy skontrolujte, či je nástroj vypnutý a blok akumulátora je vybratý.

Inštalácia alebo demontáž kazety akumulátora

- **Obr.2:** 1. Červený indikátor 2. Tlačidlo 3. Kazeta akumulátora

⚠️ POZOR:

- Pred inštaláciou alebo vybratím akumulátora náradie vždy vypnite.
- **Pri vkladaní alebo vyberaní akumulátora uchopte pevne náradie aj akumulátor.** Opomenutie pevne uchopiť náradie a akumulátor môže mať za následok ich vyšmyknutie z rúk s dôsledkom poškodenia náradia a batérie, ako aj osobných poranení.

Ak chcete vybrať akumulátor, vysuňte ho zo zariadenia, pričom posuňte tlačidlo na prednej strane akumulátora. Akumulátor vložíte tak, že jazyk akumulátora nasmerujete na ryhu v kryte a zasuniete ju na miesto. Zatlačte ho úplne, kým zakliknutím nezapadne na miesto. Ak vidíte červený indikátor na hornej strane tlačidla, nie je správne zapadnutý.

⚠️ POZOR:

- Akumulátor vždy nainštalujte úplne, až kým nie je vidieť červený indikátor. V opačnom prípade môže náhodne vypadnúť z náradia a ublížiť vám alebo osobám v okolí.
- Pri inštalovaní jednotky akumulátora nepoužívajte silu. Ak sa jednotka nedá zasunúť ľahko, nekladáte ju správne.

POZNÁMKA:

- Náradie nefunguje len s jedným akumulátorom.

Systém na ochranu náradia / akumulátora

Náradie je vybavené systémom ochrany náradia / akumulátora. Tento systém automaticky vypne napájanie motora s cieľom predĺžiť životnosť náradia a akumulátora. Náradie sa počas prevádzky automaticky zastaví v prípade, ak náradie alebo akumulátor sú v rámci nasledovných podmienok. Indikátory sa v prípade niektorých podmienok rozsvietia.

Ochrana proti preťaženiu

Keď sa náradie používa spôsobom, ktorý spôsobuje odber neštandardne vysokého prúdu, náradie sa bez upozornenia automaticky vypne. V tejto situácii vypnite náradie a ukončíte aplikáciu, ktorá spôsobuje preťažovanie náradia. Potom náradie znova zapnutím spustíte.

Ochrana akumulátora pred prehrievaním

Keď dochádza k prehrievaniu akumulátora / náradia, náradie sa automaticky bez upozornenia vypne. Náradie sa nespustí ani ťahaním vypínača. V tejto situácii nechajte akumulátor / náradie pred opätovným spustením náradia vychladnúť.

POZNÁMKA: Ochrana proti prehrievaniu akumulátora funguje len v prípade akumulátora so značkou hviezdičky.

- **Obr.3:** 1. Označenie hviezdičky

Ochrana pred nadmerným vybitím

- **Obr.4:** 1. Indikátor akumulátora

Keď bude zostávajúca kapacita akumulátora nízka, na strane patričného akumulátora bude blikať indikátor akumulátora. Pri ďalšom používaní sa náradie zastaví a indikátor akumulátora bude asi 10 sekúnd svietiť. V takomto prípade nabite akumulátor.

Indikácia zvyšnej kapacity akumulátora

Len na akumulátory s indikátorom

- **Obr.5:** 1. Indikátory 2. Tlačidlo kontroly

Stlačením tlačidla kontroly na akumulátore zobrazíte zostávajúcu kapacitu akumulátora. Indikátory sa na niekoľko sekúnd rozsvietia.

Indikátory			Zostávajúca kapacita
Svieti	Nesvieti	Bliká	
			75 % až 100 %
			50 % až 75 %
			25 % až 50 %
			0 % až 25 %
			Akumulátor nabite.
			Akumulátor je možno chybný.

POZNÁMKA: V závislosti od podmienok používania a v závislosti od okolitej teploty sa môže zobrazenie mierne odlišovať od skutočnej kapacity.

Zapínanie

⚠️ POZOR:

- Pred inštaláciou bloku akumulátora do náradia sa vždy presvedčte, či vypínač funguje správne a po uvoľnení sa vráti do pozície „OFF“.

- **Obr.6:** 1. Tlačidlo odomknutia 2. Spínač

Aby nedochádzalo náhodnému potiahnutiu spúšťacieho spínača, nachádza sa tu odomykacie tlačidlo. Ak chcete spustiť nástroj, stlačte odomykacie tlačidlo a potiahnite spúšťací spínač. Zastavíte ho uvoľnením spínača.

Kontrola brzdy reťaze

POZNÁMKA:

- Ak sa píla nespustí, je potrebné uvoľniť brzdu reťaze. Pevne potiahnite predný kryt rúk dozadu až kým nepocítite, že pracuje.

Pri spúšťaní držte pílu obidvomi rukami. Pravou rukou držte hornú rukoväť, ľavou prednú. Tyč ani reťaz sa nesmú ničoho dotýkať.

Najprv stlačte poistné tlačidlo, potom prepínač. Píla sa okamžite spustí.

- **Obr.7:** 1. Kryt prednej rukoväte 2. Zablokovať 3. Odblokovať

Hornou stranou ruky zatlačte predný kryt rúk dopredu. Reťaz sa musí okamžite zastaviť.

▲POZOR:

- Ak sa pri tejto skúške reťaz okamžite nezastaví, píla sa nesmie používať za žiadnych okolností. Navštívte odborníka v servise MAKITA.

Kontrola zastavovacej brzdy

Zapnite reťazovú pílu.

Úplne uvoľnite prepínač. Reťaz sa musí zastaviť za jednu sekundu.

▲POZOR:

- Ak sa počas tejto skúšky reťaz nezastaví za sekundu, píla sa nesmie používať. Navštívte odborníka v servise MAKITA.

Nastavenie mazania reťaze

- **Obr.8:** 1. Nastavovacia skrutka

Pomocou nastavovacej skrutky môžete nastaviť rýchlosť dávkovania olejového čerpadla. Množstvo oleja možno nastavovať pomocou univerzálneho kľúča.

Karabína (bod pripojenia lanka)

- **Obr.9**

Karabína (bod pripojenia lanka) sa používa na zavesenie náradia. Pred použitím karabíny, karabínu vytiahnite a utiahnite lanko.

MONTÁŽ

▲POZOR:

- Pred vykonaním akejkoľvek práce na nástroji vždy skontrolujte, či je nástroj vypnutý a kazeta akumulátora je vybratá.

Demontáž alebo inštalácia pílovej reťaze

▲POZOR:

- Pri montáži alebo demontáži pílovej reťaze používajte vždy ochranné rukavice.
- Pílová reťaz aj vodiaca tyč sú po prevádzke horúce. Pred vykonávaním akejkoľvek činnosti na náradí ich nechajte dostatočne vychladnúť.

Pílovú reťaz demontujte podľa nasledovných krokov:

1. Stlačte a úplne otvorte páčku až na doraz.
► **Obr.10:** 1. Kryt reťazového kolesa 2. Páčka
 2. Nastavovací číselník otočte do polohy „-“ a tak uvoľnite napätie pílovej reťaze.
► **Obr.11:** 1. Nastavovací číselník
 3. Otočením páčky proti smeru hodinových ručičiek uvoľníte kryt reťazového kolesa, až kým sa nevysunie.
 4. Vyberte kryt reťazového kolesa.
 5. Vyberte pílovú reťaz a vodiacu tyč.
- Pílovú reťaz nainštalujte podľa nasledovných krokov:
6. Skontrolujte smer reťaze. Značka šípky na reťazi znázorňuje smer pohybu reťaze.
► **Obr.12:** 1. Reťazové koleso
 7. Jeden koniec pílovej reťaze založte na špičku vodiacej tyče a druhý koniec okolo reťazového kolesa.
 8. Vodiacu tyč založte do píly.
 9. Nastavovací číselník otočte do polohy „-“ a tak posuniete nastavovací kolík v smere šípky.
► **Obr.13:** 1. Nastavovací kolík
 10. Kryt ozubeného kolesa umiestnite na reťazovú pílu tak, aby nastavovací kolík smeroval do malého otvoru na vodiacej tyči.
► **Obr.14:** 1. Otvor 2. Vodiaca lišta
 11. Páčku otočte na doraz v smere hodinových ručičiek a o štvrtinu otáčky naspäť, čím zachováte voľnosť pre nastavenie napnutia reťaze.
 12. Napnutie reťaze nastavíte otočením nastavovacieho číselníka.
 13. Otočením páčky v smere pohybu hodinových ručičiek zaistíte kryt reťazového kolesa.
► **Obr.15:** 1. Kryt reťazového kolesa 2. Páčka
 14. Stlačte a vráťte páčku do jej pôvodnej polohy.

Nastavenie napätie pílovej reťaze

Po mnohých hodinách používania sa môže reťaz uvoľniť. Pred použitím niekedy skontrolujte napätie pílovej reťaze.

1. Stlačte a úplne otvorte páčku až kým neklikne. Trochu ju otočte proti smeru hodinových ručičiek, čím mierne uvoľníte kryt reťazového kolesa.
► **Obr.16:** 1. Kryt reťazového kolesa 2. Páčka
 2. Koniec vodiacej tyče mierne zdvihnite.
► **Obr.17:** 1. Uvoľniť 2. Utiahnuť 3. Nastavovací číselník 4. Vodiaca lišta 5. Pílová reťaz
 3. Napnutie pílovej reťaze nastavíte otočením nastavovacieho číselníka. Pílovú reťaz utiahnite, až kým spodná strana pílovej reťaze nezapadne do kofajničky vodiacej tyče (pozrite si kružok na obrázku).
 4. Vodiacu tyč slabo pridržiavajte a po nastavení napnutia reťaze utiahnite kryt reťazového kolesa. Skontrolujte, že pílová reťaz nie je v spodnej časti uvoľnená.
 5. Stlačte a vráťte páčku do jej pôvodnej polohy.
► **Obr.18:** 1. Kryt reťazového kolesa 2. Páčka
- Skontrolujte, že pílová reťaz prílehlavo zapadá do spodnej strany tyče.

▲POZOR:

- Pílovú reťaz neuťahujte nadmerne. Nadmerné napätie pílovej reťaze môže spôsobiť, že sa pílová reťaz poruší, opotrebuje sa vodiaca tyč a poruší sa nastavovací číselník.
- Príliš voľná reťaz môže vyskočiť z lišty a predstavuje riziko úrazu.
- Postup inštalácie alebo demontáže pílovej reťaze vykonávajte na čistom mieste bez výskytu pilín a podobných materiálov.

Klinový tlmíč (voliteľné príslušenstvo)

► Obr.19

Klinový tlmíč nainštalujte nasledovným postupom:

1. Odmontujte kryt reťazového kolesa, pílovú reťaz a vodiacu tyč, ako je opísané v tomto návode na obsluhu.
2. Umiestnite klinový tlmíč s reťazovým kolesom smerujúcim nahor tak, aby boli jeho otvory zarovnané s otvormi na pílovej reťazi.
3. Klinový tlmíč utiahnite dvomi dodanými skrutkami.

PRÁCA

▲POZOR: Nezakrývajte vetracie otvory, pretože môže dochádzať k prehrievaniu a poškodeniu náradia.

Mazanie

- Obr.20:** 1. Veko olejovej nádržky 2. Okienko na kontrolu hladiny oleja (pre plnenie nádrže olejom) 3. Okienko na kontrolu oleja

Pílová reťaz sa automaticky maže počas činnosti nástroja. Skontrolujte množstvo zostávajúceho oleja v olejovej nádržke cez okienko na kontrolu oleja.

Ak chcete doplniť nádrž, demontujte veko z olejovej nádrže.

Po doplnení nádržky vždy zaskrutkujte príslušné veko olejovej nádržky na reťazovú pílu.

▲POZOR:

- Pri prvom plnení oleja do píly alebo pri dopĺňaní nádrže po úplnom vyprázdnení doplňte olej až po spodnú hranu hrdla lievika. Prívod oleja môže byť v opačnom prípade narušený.
- Ako olej pre reťazovú pílu používajte olej určený výhradne pre reťazové píly Makita alebo olej dostupný na trhu.
- Nikdy nepoužívajte olej obsahujúci prášok a čistočky alebo prchavý olej.
- Pri prerezávaní stromov používajte botanický olej. Minerálny olej môže poškodiť stromy.
- Pri prerezávaní stromov reťazovú pílu nikdy netlačte silou.
- Pred rezaním vždy skontrolujte, či je príslušné veko olejovej nádržky priskrutkované na svojom mieste.

► Obr.21

Reťazovú pílu držte ďalej od stromu. Spustíte ju a počkajte, kým dôjde k dostatočnému namazaniu pílovej reťaze.

Klinový tlmíč priložte tak, aby sa dotýkal rezaného konára a až následne náradie zapnite. V opačnom prípade môže dôjsť k rozkmitaniu vodiacej tyče s následkom poranenia obsluhy.

Pílené drevo režte len pohybom nadol.

PRÁCA S REŤAZOVOU PÍLOU

Vyvetvovanie stromov

- Obr.22:** 1. Klinový tlmíč

▲POZOR:

- Ak je motor píly v prevádzke, nepribližujte sa telom k pílovej reťazi.
- Ak je motor v prevádzke, pílu držte pevne obidvomi rukami.
- Nepíľte príliš vysoko. Vždy stojte pevne a udržiavajte rovnováhu.

Klinový tlmíč priložte tak, aby sa dotýkal rezaného konára a až následne náradie zapnite. Pri rezaní bez priloženia klinového tlmíča ku konáru sa vodiaca tyč môže rozkmitať s následkom zranenia obsluhy.

- Obr.23**

Pri pílení hrubých konárov urobte najprv plytké podrezanie a potom konečný rez zhora.

- Obr.24**

Ak chcete odrezať hrubé konáre zospodu, konár sa môže zalomiť v pílovej reťazi.

Ak sa snažíte odrezať hrubé konáre zvrchu bez plytkého podrezania, konár sa môže rozštiepiť.

- Obr.25**

Ak drevo nemôžete prerezať priamo jediným rezom: ľahko zatlačte na rukoväť a pokračujte v pílení, pílu mierne potiahnite späť; potom hrot posuňte trochu nižšie a dokončíte rez zdvihnutím rukoväte.

Prenášanie nástroja

- Obr.26:** 1. Kryt vodiacej tyče 2. Kryt batérie

Pred prenášaním náradia vždy vyberte akumulátor z náradia a vodiacu tyč zakryte pošvou. Akumulátor tiež prikryte krytom pre akumulátor.

ÚDRŽBA

▲POZOR:

- Pred vykonaním kontroly alebo údržby vždy skontrolujte, či je nástroj vypnutý a blok akumulátora je vybrať.
- Pri kontrole alebo údržbe používajte vždy rukavice.
- Nepoužívajte benzín, riedidlo, alkohol ani nič podobné. Mohlo by to spôsobiť zmenu farby, deformácie alebo praskliny.

Ostrenie pílovej reťaze

▲ POZOR:

- Pri práci na pílovej reťazi vždy vyberte batériu a používajte ochranné rukavice.

► Obr.27

Reťaz ostrite, keď:

- Pri rezaní vlhkého dreva vznikajú prachové piliny;
- Reťaz vniká ťažko do dreva aj pri veľkom tlaku;
- Rezacia hrana je zjavne poškodená;
- píla ťahá v dreve napravo alebo naľavo. Dôvodom je nerovnomerne nabrúsená reťaz alebo poškodenie na jednej jej strane.

Pílovú reťaz ostrite často, ale vždy odstráňte len trochu materiálu.

Dva alebo tri ťahy brúskou zvyčajne stačia na bežné ostrenie. Ak bola reťaz preostrená niekoľkokrát, nechajte ju naostriť v servise MAKITA.

Kritériá ostrenia:

- Dĺžka všetkých nožov musí byť rovnaká. Nože rôznej dĺžky bránia plynulej funkcii reťaze a môžu spôsobiť jej zlomenie.
- Reťaz už neostrite ak je minimálna dĺžka noža 3 mm. Potom je potrebná nová reťaz.
- Hrúbku triesok určuje vzdialenosť medzi hĺbkovým dorazom (okrúhly nos) a rezacou hranou.
- Najlepšie rezanie dosiahnete s nasledovnou vzdialenosťou medzi rezacou hranou a hĺbkovým dorazom.

Reťazové ostrie 90PX: 0,5 mm
Reťazové ostrie 91PX: 0,65 mm
Reťazové ostrie 25AP: 0,65 mm

- **Obr.28:** 1. Dĺžka rezu 2. Vzdialenosť medzi reznou hranou a hĺbkovým dorazom 3. Minimálne 3 mm

▲ VAROVANIE:

- Prliš veľká vzdialenosť zvyšuje nebezpečenstvo bočných nárazov.

- Na všetkých nožoch musí byť uhol ostrenia 30°. Rozdiely v uhle spôsobujú, že reťaz funguje hrubo a nerovnomerne, zrychľuje sa opotrebovanie a poškodzuje sa reťaz.
- Uhol bočnej platne noža je určený hĺbkou prieniku okrúhleho pilníka. Ak sa určený pilník používa správne, automaticky sa vytvorí správny uhol.
- Uhol bočnej platne pre každú pílovú reťaz je nasledovný:

Reťazové ostrie 90PX: 75°
Reťazové ostrie 91PX: 80°
Reťazové ostrie 25AP: 85°

- **Obr.29:** 1. Uhol bočnej platne

Brúska a vedenie brúsky

- Na ostrenie reťaze používajte špeciálny okrúhly pilník (voliteľné príslušenstvo) pre pílové reťaze. Bežné okrúhle pilníky nie sú vhodné.
- Priemer okrúhleho pilníka pre každú pílovú reťaz je nasledovný:

Reťazové ostrie 90PX: 4,5 mm
Reťazové ostrie 91PX: 4,0 mm
Reťazové ostrie 25AP: 4,0 mm

- Pilník by sa mal pohybovať po noži len smerom dopredu. Pri návrate do východiskovej polohy zdvihnite pilník z noža.
- Najprv naostríte najkratší nôž. Dĺžka tohto najkratšieho noža bude štandardnou pre všetky ostatné nože pílovej reťaze.

► Obr.30

- Brúskou pohybujte podľa obrázka.
- Brúska sa pohybuje omnoho ľahšie, ak má držiak (voliteľné príslušenstvo). Držiak brúsky má značky pre správny uhol ostrenia 30° (zarovnajte značky paralelne s reťazou) a obmedzenie vniknutia (na 4/5 priemeru brúsky).

► Obr.31

- Po naoštrení reťaze skontrolujte výšku hĺbkového dorazu pomocou náradia na kontrolu reťaze (voliteľné príslušenstvo).

► Obr.32

- Osobitným plochým pilníkom odstráňte všetko, čo prečnieva, aj keď len malé (voliteľné príslušenstvo).
- Znovu zaoblite prednú časť hĺbkového dorazu.

Čistenie vodiacej tyče

► Obr.33

Triesky a piliny sa nahromadia v ryhe vodiacej tyče, zapchajú ju a narušia tok oleja. Pri ostrení alebo výmene reťaze pílu vždy očistite od triesok alebo pilín.

Čistenie otvoru pre vypúšťanie oleja

V otvore na vypúšťanie oleja sa môžu počas prevádzky usadiť malé častice alebo jemný prach.

Prach alebo iné častice v v otvore na vypúšťanie oleja môžu zhoršiť vypúšťanie oleja a spôsobiť nedostatočné mazanie celej reťaze.

V prípade nedostatočného prívodu oleja na reťaz na konci vodiacej tyče vyčistite otvor na vypúšťanie oleja uvedeným spôsobom.

Z prístroja vyberte batériu.

Z prístroja vyberte kryt reťazového kolesa a reťaz. (Podľa časti "Montáž alebo demontáž pílovej reťaze".)

► Obr.34:

 1. Plochý skrutkovač

Jemný prach alebo úlomky vyberte pomocou plochého skrutkovača so štíhrou tyčkou alebo podobným nástrojom.

Vložte batériu do nástroja.

Potiahnite prepínač a vypustite reťazový olej, aby sa z olejového vypúšťacieho otvoru vyplavili usadené nečistoty.

Z prístroja vyberte batériu.

Na prístroj opäť namontujte kryt reťazového kolesa a reťaz.

Výmena reťazového kolesa

► **Obr.35:** 1. Reťazové koleso 2. Poistný krúžok
Pred vloženiej novej reťaze skontrolujte stav reťazového kolesa.

▲ POZOR:

- Opotrebované reťazové koleso poškodí novú pílovú reťaz. V tomto prípade vymeňte reťazové koleso. Reťazové koleso sa musí namontovať takým spôsobom, aby vždy smerovalo tak, ako je to na vyobrazení.

► **Obr.36:** 1. Poistný krúžok 2. Reťazové koleso

Pri výmene reťazového kolesa vymeňte vždy aj poistný krúžok.

Výmena uhlíkov

► **Obr.37:** 1. Medzná značka

Uhlíky pravidelne vyberajte a kontrolujte. Ak sú opotrebované až po medznú značku, vymeňte ich. Uhlíky musia byť čisté a musia voľne zapadať do svojich držiakov. Oba uhlíky treba vymieňať súčasne. Používajte výhradne rovnaké uhlíky.

► **Obr.38:** 1. Veko držiaka uhlíka 2. Skrutkovač

Pomocou šraubováka odskrutkujte veká uhlíkov.

Vymňte opotrebované uhlíky, vložte nové a zaskrutkujte veká naspäť.

Skladovanie prístroja

Pred skladovaním nástroj vyčistite. Po vybratí reťazového kolesa z nástroja odstráňte všetky triesky a piliny. Po vyčistení nástroja ho pusťte bez záťaže, aby sa premazala pílová reťaz a vodiaca tyč.

Vodiacu tyč zakryte krytom na vodiacu tyč.

Z olejovej nádrže vylejte všetok olej a reťazovú pílu uložte.

Kvôli zachovaniu BEZPEČNOSTI a SPOL' AHLIVOSTI výrobkov musia byť opravy a akákoľvek ďalšia údržba či nastavovanie robené autorizovanými servisnými strediskami firmy Makita a s použitím náhradných dielov Makita.

Pokyny na pravidelnú údržbu

Na zaistenie dlhej životnosti, predídienie poškodeniu a zabezpečenie plnej funkčnosti bezpečnostných funkcií je potrebné pravidelne vykonávať nasledujúcu údržbu.

Právo na záruku je možné uznať len v prípade pravidelného a správneho vykonávania tejto činnosti. Pri nedodržaní predpísanej údržby môže dôjsť k nehodám!

Používateľ reťazovej píly nesmie vykonávať údržbu, ktorá nie je opísaná v tomto návode na obsluhu. Všetky takéto práce musí vykonávať autorizované servisné stredisko.

Položka	Prevádzková doba						
		Pred prevádzkou	Každý deň	Každý týždeň	Každé 3 mesiace	Raz za rok	Pred skladovaním
Reťazová píla	Kontrola.	○					
	Čistenie.		○				
	Nechajte skontrolovať v autorizovanom servisnom stredisku.					○	○
Pílová reťaz	Kontrola.	○					
	V prípade potreby naostríte.						○
Vodiaca lišta	Kontrola.	○	○				
	Demontujte z reťazovej píly.						○
Brzda reťaze	Skontrolujte fungovanie.	○					
	Pravidelne nechajte skontrolovať v autorizovanom servisnom stredisku.				○		
Mazanie reťaze	Skontrolujte rýchlosť dávkovania.	○					
Spúšť	Kontrola.	○					
Tlačidlo odomknutia	Kontrola.	○					
Veko olejovej nádržky	Skontrolujte tesnosť.	○					
Zachytávač reťaze	Kontrola.			○			
Skrutky a matice	Kontrola.			○			

RIEŠENIE PROBLÉMOV

Pred požiadanim o vykonanie opravy najprv vykonajte vlastnú kontrolu. Ak zistíte problém, ktorý nie je vysvetlený v návode, nepokúšajte sa náradie rozoberať. Namiesto toho o opravu požiadajte autorizované servisné strediská spoločnosti Makita, ktoré používajú len náhradné diely značky Makita.

Stav poruchy	Príčina	Činnosť
Reťazová píla neštartuje.	Dve jednotky akumulátorov nie sú nainštalované.	Nainštalujte nabitú jednotku akumulátorov.
	Problém s akumulátorom (nízke napätie).	Jednotku akumulátora nabite. Ak nabíjanie nie je účinné, vymeňte jednotku akumulátora.
Reťaz sa nepohybuje.	Brzda reťaze aktivovaná.	Uvoľnite brzdu reťaze.
Motor po krátkom používaní zastane.	Nabitie akumulátora je slabé.	Jednotku akumulátora nabite. Ak nabíjanie nie je účinné, vymeňte jednotku akumulátora.
Na reťazi nie je žiadny olej.	Olejová nádrž prázdna.	Naplňte olejovú nádrž.
	Znečistená olejová vodiaca drážka.	Očistite drážku.
	Prívod oleja je nesprávne nastavený.	Nastavte množstvo privádzaného oleja.
Nedosahuje hodnotu maximálnych otáčok za minútu.	Jednotka akumulátora nie je nainštalovaná správne.	Kazetu akumulátora nainštalujte podľa popisu v tomto návode.
	Výkon akumulátora klesá.	Jednotku akumulátora nabite. Ak nabíjanie nie je účinné, vymeňte jednotku akumulátora.
	Systém pohonu nefunguje správne.	O opravu požiadajte miestne autorizované servisné stredisko.
Reťaz sa nezastaví ani po aktivovaní brzd reťaze: strojné zariadenie okamžite zastavte!	Brzdový pás je opotrebovaný.	O opravu požiadajte miestne autorizované servisné stredisko.
Neštandardné vibrácie: Strojné zariadenie okamžite zastavte!	Uvoľnite vodiacu tyč alebo pílovú reťaz.	Nastavte vodiacu tyč a napnutie pílovej reťaze.
	Porucha náradia.	O opravu požiadajte miestne autorizované servisné stredisko.

VOLITEĽNÉ PRÍSLUŠENSTVO

POZOR:

- Pre váš nástroj Makita, opísaný v tomto návode, doporučujeme používať toto príslušenstvo a nástavce. Pri použití iného príslušenstva či nástavcov môže hroziť nebezpečenstvo zranenia osôb. Príslušenstvo a nástavce sa môžu používať len na účely pre ne stanovené.

Ak potrebujete bližšie informácie týkajúce sa tohoto príslušenstva, obráťte sa na vaše miestne servisné stredisko firmy Makita.

- Originálna batéria a nabíjačka Makita
- Pílová reťaz
- Vodiaca tyč
- Kryt vodiacej tyče
- Brúska
- Taška na náradie

POZNÁMKA:

- Niektoré položky zo zoznamu môžu byť súčasťou balenia náradia vo forme štandardného príslušenstva. Rozsah týchto položiek môže byť v každej krajine odlišný.

TECHNICKÉ ÚDAJE

Model		DUC252		DUC302
Standardní vodící lišta	Délka vodící lišty	250 mm		300 mm
	Délka řezu	23 cm	24 cm	28 cm
	Typ	Lišta s řetězovým kolem na konci	Carvingová lišta	Lišta s řetězovým kolem na konci
Standardní pilový řetěz	Typ	91PX	25AP	90PX
	Rozeč	9,5 mm (3/8")	6,35 mm (1/4")	9,5 mm (3/8")
	Šířka vodící drážky	1,3 mm (0,05")	1,3 mm (0,05")	1,1 mm (0,043")
	Počet vodících článků	40	60	46
Řetězové kolo	Počet zubů	6	9	6
	Rozeč	9,5 mm (3/8")	6,35 mm (1/4")	9,5 mm (3/8")
Celková délka (bez meče)		316 mm		
Hmotnost netto	*1	4,1 kg		
	*2	4,6 kg		4,7 kg
Otáčky řetězu na minutu		8,3 m/s (500 m/min)		
Objem nádrže na řetězový olej		85 cm ³		
Jmenovité napětí		36 V DC		36 V DC

* Vzhledem k neustálému výzkumu a vývoji zde uvedené technické údaje podléhají změnám bez upozornění.

* Technické údaje a blok akumulátoru se mohou v různých zemích lišit.










*1 Hmotnost s největším blokem akumulátoru, bez vodící lišty a řetězu, s prázdnou olejovou nádrží, dle EN ISO 11681-2.

*2 Hmotnost s blokem akumulátoru, vodící lištou, řetězem a naplněnou olejovou nádrží dle EPTA – Procedure 01/2003.

VAROVÁNÍ: Použijte správnou kombinaci vodící lišty a pilového řetězu. V opačném případě může dojít ke zraněním.

Symbody

Níže jsou uvedeny symbody, se kterými se můžete při použití nástroje setkat. Je důležité, abyste dřive, než s ním začnete pracovat, pochopili jejich význam.

	Přečtete si návod k obsluze.
	Používejte ochranu zraku.
	Používejte ochranu sluchu.
	Používejte helmu, brýle a ochranu sluchu.
	Používejte vhodnou ochranu nohou a rukou.
	Tuto pilu smí obsluhovat pouze vhodné vyškolení pracovníci.
	Nevystavujte nástroj dešti.
	Maximální přípustná délka řezu
	Směr pohybu řetězu



Seřízení mazání řetězu pily olejem



Jen pro státy EU
Elektrická zařízení ani akumulátory nelikvidujte současně s domovním odpadem! Vzhledem k dodržování evropských směrnic o odpadních elektrických a elektronických zařízeních a směrnice o bateriích, akumulátorech a odpadních bateriích a akumulátorech s jejich implementací v souladu s národními zákony musí být elektrická zařízení, baterie a bloky akumulátorů po skončení životnosti odděleně shromážděny a předány do ekologicky kompatibilního recyklačního zařízení.

Účel použití

Nářadí je určeno k ořezávání větví a prořezávání stromů. Hodí se též k řezání kmenů.

Hlučnost

Typická vážená hladina hluku (A) určená podle normy EN60745-2-13:

Hladina akustického tlaku (L_{PA}): 84,4 dB (A)

Hladina akustického výkonu (L_{WA}): 95,4 dB (A)

Nejistota (K): 2,5 dB (A)

Používejte ochranu sluchu

Vibrace

Celková hodnota vibrací (vektorový součet tří os) určená podle normy EN60745-2-13:

Model DUC252

Pracovní režim: řezání dřeva

Emise vibrací (a_{h1}): 4,7 m/s²

Nejistota (K): 1,5 m/s²

Model DUC302

Pracovní režim: řezání dřeva

Emise vibrací (a_{h1}): 6,3 m/s²

Nejistota (K): 1,5 m/s²

POZNÁMKA: Deklarovaná hodnota emisí vibrací byla změněna v souladu se standardní testovací metodou a může být využita ke srovnávání nářadí mezi sebou.

POZNÁMKA: Deklarovanou hodnotu emisí vibrací lze rovněž využít k předběžnému posouzení vystavení jejich vlivu.

VAROVÁNÍ: Emise vibrací během skutečného používání elektrického nářadí se mohou od deklarované hodnoty emisí vibrací lišit v závislosti na způsobu použití nářadí.

VAROVÁNÍ: Na základě odhadu vystavení účinkům vibrací v aktuálních podmínkách zajistěte bezpečnostní opatření k ochraně obsluhy (vezměte v úvahu všechny části pracovního cyklu, mezi něž patří kromě doby pracovního nasazení i doba, kdy je nářadí vypnuto nebo pracuje ve volnoběhu).

Prohlášení ES o shodě

Pouze pro evropské země

Prohlášení ES o shodě je obsaženo v Příloze A tohoto návodu k obsluze.

Obecná bezpečnostní upozornění k elektrickému nářadí

UPOZORNĚNÍ Přečtěte si všechna bezpečnostní upozornění a pokyny. Při nedodržení upozornění a pokynů může dojít k úrazu elektrickým proudem, požáru nebo vážnému zranění.

Všechna upozornění a pokyny si uschovejte pro budoucí potřebu.

Bezpečnostní upozornění k akumulátorové řetězové pile:

1. **Je-li řetěz pily v pohybu, udržujte všechny končetiny mimo dosah řetězu. Před zapnutím řetězové pily se ujistěte, že se řetěz ničeho nedotýká.** Budete-li při používání řetězové pily jen chvíli nepozorní, může dojít ke kontaktu řetězu s vaším oblečením nebo tělem.
2. **Při úchopu oběma rukama držte řetězovou pilu vždy pravou rukou za zadní držadlo a levou rukou za přední držadlo.** Obrácený úchop řetězové pily zvyšuje nebezpečí zranění – pilu nikdy nedejte obráceně.

3. **Elektrické nářadí držte pouze za izolované části držadel, neboť při práci s řetězovou pilou můžete narazit na skryté elektrické vedení.** Při kontaktu řetězové pily s vodičem pod napětím se může proud přenést do nechráněných kovových částí nářadí a obsluha může utrpět úraz elektrickým proudem.
4. **Používejte ochranu zraku a sluchu. Doporučuje se také dodatečná ochrana hlavy, rukou a nohou.** Adekvátní oblečení zamezí zranění odlétávajícími třískami a nechtěnému kontaktu s řetězem pily.
5. **Vždy zadržte pevný postoj.** Kluzké či nestabilní plochy mohou vést ke ztrátě rovnováhy či kontroly nad řetězovou pilou.
6. **Při řezání napružených větví dejte pozor na odmrštění.** Po uvolnění napětí vláken dřeva může napružená větev udeřit obsluhující osobu, jež by mohla ztratit nad řetězovou pilou kontrolu.
7. **Při řezání keřů a malých stromů dbejte mimořádné pozornosti.** Pružný materiál může pilu zachytit a vymrštit se nebo způsobit, že ztratíte rovnováhu.
8. **Při přenášení držte řetězovou pilu za přední rukojeť, nechte ji vypnuto a držte ji tak, aby mířila směrem od vašeho těla. Při přepravě nebo skladování vždy nasaďte kryt vodící lišty.** Správnou manipulaci s řetězovou pilou lze snížit riziko nechtěného kontaktu s pohybujícím se řetězem pily.
9. **Dodržujte pokyny týkající se mazání, napínání řetězu a výměny příslušenství.** Nesprávně napnutý nebo namazaný řetěz se může přetrhnout nebo zvýšit pravděpodobnost zpětného rázu.
10. **Udržujte rukojeť suché, čisté a chraňte je před olejem a mazivem.** Mastné rukojeť jsou kluzké a mohou způsobit ztrátu kontroly nad nástrojem.
11. **Řezajte pouze dřevo. Nepoužívejte řetězovou pilu k účelům, pro které není určena. Příklad: nepoužívejte řetězovou pilu k řezání plastu, zdva nebo nedřevěných stavebních materiálů.** Použití řetězové pily k účelu, ke kterému není určena, může mít nebezpečné následky.
12. **Příčiny a prevence zpětného rázu:** Když se špička vodící lišty dotkne předmětu nebo když dřevo sevře řetěz pily v řezu, může dojít k zpětnému rázu. Při kontaktu špičky může dojít k náhlé zpětné reakci, kdy se vodící lišta zvedne nahoru a směrem k uživateli. Při sevření řetězu pily v horní části vodící lišty může dojít k rychlému pohybu vodící lišty směrem k uživateli. V těchto situacích můžete ztratit kontrolu nad pilou, což může mít za následek vážné zranění. Nespoléhejte se jen na bezpečnostní zařízení, která jsou součástí pily. Jako uživatel řetězové pily byste měli podniknout veškerá opatření, která jsou nutná k zamezení nehody nebo zranění. Zpětný ráz je důsledkem špatného použití a/nebo nesprávných pracovních postupů či podmínek. Lze se mu vyhnout přijetím odpovídajících opatření, která jsou uvedena níže:

- **Řetězovou pilu stále držte pevně a palci i prsty obemkněte její držadla. Zaujmete takový postoj těla a pozici rukou, abyste odolali silám zpětných rázů.** Za předpokladu přijetí správných preventivních opatření může obsluha síly zpětných rázů zvládnout. Řetězovou pilu nepouštějte z rukou.
- **Obr.1**
- **Nezacházejte příliš daleko a neřežte nad výškou ramen.** Pomůžete tak předejít nechtěnému kontaktu špičky a umožníte lepší ovládnání řetězové pily v nenadálých situacích.
 - **Používejte pouze náhradní lišty a řetězy určené výrobcem.** Nesprávné náhradní lišty a řetězy mohou vést k přetržení řetězu a zpětnému vrhu.
 - **Dodržujte pokyny výrobce týkající se broušení a údržby řetězu pily.** Změnění výšky hloubkového dorazu může mít za následek větší zpětný ráz.
13. Před zahájením práce zkontrolujte, zda je řetězová pila v řádném provozním stavu a zda odpovídá požadavkům bezpečnostních směrnic. Konkrétně zkontrolujte:
 - Správnou funkci brzdy řetězu;
 - Správnou funkci doběhové brzdy;
 - Správné upevnění meče a krytu řetězového kola;
 - Naostření a napnutí řetězu v souladu se směrnicemi;
 14. **Řetězovou pilu nespouštějte s nasazeným krytem řetězu.** Spuštění řetězové pily s nasazeným krytem řetězu může způsobit odmrštění krytu vpřed s následným zraněním či poškozením objektů v okolí obsluhy.

7. Jestliže zařízení utrpí prudký náráz nebo pokud upadne, zkontrolujte před obnovením práce jeho stav. Zkontrolujte, zda nedošlo k poruše ovládacích prvků a bezpečnostních zařízení. V případě zjištění poškození či v pochybnostech požádejte o prohlídku a opravu naše autorizované servisní středisko.
8. Před startováním řetězové pily vždy aktivujte brzdu řetězu.
9. Pilu pevně přidržujte na místě, abyste při zahájení řezu zamezili klouzání (smykávému pohybu) nebo odsakování pily.
10. Na konci řezu pila „poklesne“ – buďte připraveni a neztraťte rovnováhu.
11. Vezměte v úvahu směr a rychlost větru. Vyhybejte se pilinám a rozprášenému řetězovému oleji.

Ochranné pomůcky

1. **Při práci s řetězovou pilou je nutné používat následující ochranné pomůcky zamezující zranění hlavy, očí, rukou, nohou a pomůcky k ochraně sluchu:**
 - Používejte vhodný přiléhavý pracovní oděv neomezující pohyblivost. Nenoste šperky ani oděv, který by se mohl zachytit o houšti či křoviny. Máte-li delší vlasy, použijte vždy síťku!
 - Při práci s řetězovou pilou je vždy nutné používat ochrannou přilbu. **Ochrannou přilbu** pravidelně kontrolujte, zda není poškozena. Přilbu je třeba nejpozději po 5 letech vyměnit. Používejte pouze schválené ochranné přilby.
 - **Obličejový štít** ochranné přilby (nebo brýle) chrání před pilinami a odštěpky dřeva. Při provozování řetězové pily vždy používejte ochranné brýle nebo obličejový štít, aby nedošlo k poranění očí.
 - Používejte vhodné **chrániče sluchu** (ochranná sluchátka, ucpávky do uší, apod.).
 - **Ochranná bunda** je tvořena 22 vrstvami nylonu a chrání obsluhu před pořezáním. Noste ji vždy při práci na vyvýšených plošinách (vysokozdvizné či pracovní plošiny), při práci na plošinách montovaných na žebřících a při šplhání pomocí lan.
 - **Ochranné výztuže a pracovní kalhoty** jsou vyrobeny z 22vrstvé nylonové tkaniny a chrání před pořezáním. Jejich používání důrazně doporučujeme.
 - **Ochranné rukavice** vyrobené ze silné kůže tvoří součást předepsaného vybavení a při práci s řetězovou pilou je musíte vždy používat.
 - Při práci s řetězovou pilou je rovněž nutné vždy používat **ochrannou obuv** nebo **bezpečnostní vysoké boty** s protiskluzovou podrážkou, ocelovými špičkami a ochranou nohy. Bezpečnostní obuv vybavená ochrannou vrstvou chrání před pořezáním a umožňuje bezpečný postoj. Při práci na stromech musí být bezpečnostní vysoké boty vhodné pro šplhací techniky.

Specifická bezpečnostní upozornění k hornímu držadlu řetězové pily

1. Tato řetězová pila byla zkonstruována speciálně pro údržbu a prořezávání stromů. Řetězová pila je určena k používání pouze náležitě vyškolenými osobami. Dodržujte veškeré pokyny, postupy a doporučení příslušných profesních organizací. V opačném případě může dojít ke smrtelným nehodám. Při řezání v korunách stromů doporučujeme vždy použít vhodné zařízení (vysokozdviznou či pracovní plošinu). Slaňovací techniky jsou mimořádně nebezpečné a vyžadují zvláštní výcvik. Obsluha musí být vyškolená ke znalostem používání bezpečnostního vybavení a technik šplhání. Při práci na stromech vždy používejte vhodné opasky, lana a karabiny. Vždy používejte zajišťovací vybavení pro obsluhu i pilu.
2. Před uložení provedte v souladu s návodem k obsluze vyčištění a údržbu.
3. Při přepravě automobilem zajistěte řetězovou pilu v bezpečné poloze, aby nedošlo k úniku paliva či řetězového oleje, poškození nářadí či ke zranění.
4. Pravidelně kontrolujte funkci brzdy řetězu.
5. Řetězový olej nedoplňujte v blízkosti ohně. Při doplňování řetězového oleje nikdy nekuřte.
6. Používání řetězové pily může být omezeno národními předpisy.

Vibrace

1. Osoby se slabším krevním oběhem vystavené přílišným vibracím mohou utrpět zranění cévního či nervového systému. Vibrace mohou na prstech, rukou či zápěstích vyvolat následující příznaky: „Ochablost“ (necitlivost), mravenčení, bolest, bodavá bolest, změna barvy či stavu pokožky. **Trpíte-li jakýmkoli z těchto příznaků, vyhledejte lékaře!** K zamezení vzniku oběhových problémů (Reynaudovy choroby) udržujte ruce při práci v teple a zajistěte dobrou údržbu zařízení i příslušenství.

TYTO POKYNY USCHOVEJTE.

⚠VAROVÁNÍ: NEDOVOLTE, aby pohodlnost nebo pocit znalosti výrobku (získaný na základě opakovaného používání) vedly k zanedbání dodržování bezpečnostních pravidel platných pro tento výrobek. NESPRÁVNÉ POUŽÍVÁNÍ nebo nedodržení bezpečnostních pravidel uvedených v tomto návodu k obsluze může způsobit vážné zranění.

DŮLEŽITÉ BEZPEČNOSTNÍ POKYNY

AKUMULÁTOR

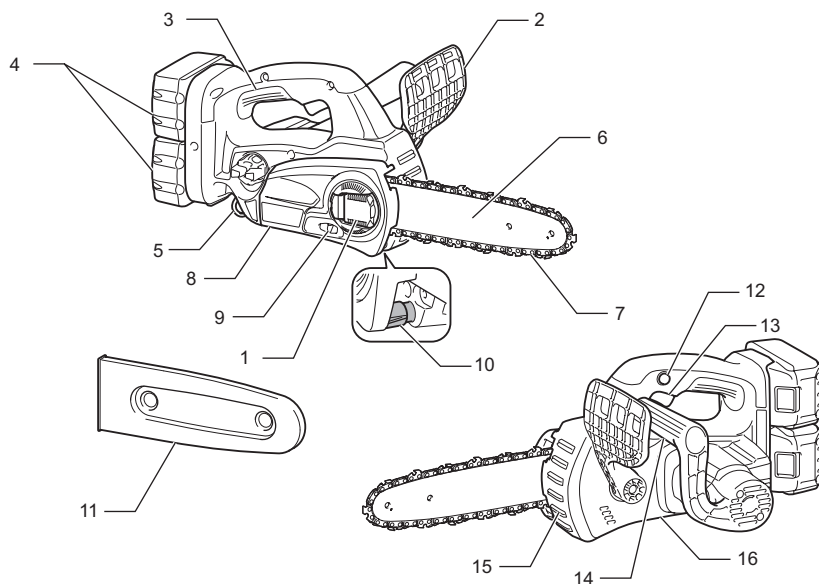
1. Před použitím akumulátoru si přečtete všechny pokyny a varovné symboly na (1) nabíječce, (2) baterii a (3) výrobku využívajícím baterii.
2. Akumulátor nedemontujte.
3. Pokud se příliš zkrátí provozní doba akumulátoru, přerušete okamžitě provoz. V opačném případě existuje riziko přehřívání, popálení nebo dokonce výbuchu.
4. Budou-li vaše oči zasaženy elektrolytem, vypláchněte je čistou vodou a okamžitě vyhledejte lékařskou pomoc. Může dojít ke ztrátě zraku.
5. Akumulátor nezkratujte:
 - (1) Nedotýkejte se svorek žádným vodivým materiálem.
 - (2) Akumulátor neskladujte v nádobě s jinými kovovými předměty, jako jsou hřebíky, mince, apod.
 - (3) Akumulátor nevystavujte vodě ani dešti. Zkrat akumulátoru může způsobit velký průtok proudu, přehřátí, možné popálení a dokonce i poruchu.
6. Neskladujte nástroj a akumulátor na místech, kde může teplota překročit 50 °C (122 °F).
7. Nespalujte akumulátor, ani když je vážně poškozen nebo úplně opotřeben. Akumulátor může v ohni vybuchnout.
8. Dávejte pozor, abyste baterii neupustili ani s ní nenaráželi.
9. Nepoužívejte poškozené akumulátory.
10. Při likvidaci akumulátoru postupujte podle místních předpisů.

TYTO POKYNY USCHOVEJTE.

Tipy k zajištění maximální životnosti akumulátoru

1. Akumulátor nabíjte před tím, než dojde k úplnému vybití baterie. Pokud si povšimnete sníženého výkonu nástroje, vždy jej zastavte a dobijte akumulátor.
2. Nikdy nenabíjejte úplně nabitý akumulátor. Přebíjení zkracuje životnost akumulátoru.
3. Akumulátor nabíjejte při pokojové teplotě v rozmezí od 10 °C do 40 °C (50 °F - 104 °F). Před nabíjením nechejte horký akumulátor zchladnout.
4. Nebudete-li nářadí delší dobu používat, nabíjete jednou za šest měsíců blok akumulátoru.

POPIS ČÁSTÍ



1	Páčka	2	Přední ochrana rukou	3	Horní držadlo
4	Akumulátor	5	Karabina (místo k upevnění provazu)	6	Vodící tyč
7	Pilový řetěz	8	Kryt řetězového kola	9	Regulační knoflík
10	Zachycovač řetězu	11	Kryt vodící lišty	12	Odjišťovací tlačítko
13	Spoušť	14	Přední držadlo	15	Zubová opěrka
16	Seřizovací šroub olejového čerpadla (na spodní straně)	-	-	-	-

POPIS FUNKCE

⚠ UPOZORNĚNÍ:

- Před nastavováním nástroje nebo kontrolou jeho funkce se vždy přesvědčte, zda je nástroj vypnutý a je odpojen jeho akumulátor.

Instalace a demontáž akumulátoru

► **Obr.2:** 1. Červený indikátor 2. Tlačítko 3. Akumulátor

⚠ UPOZORNĚNÍ:

- Před nasazením či sejmutím bloku akumulátoru nářadí vždy vypněte.
- **Při nasazování či snímání bloku akumulátoru pevně držte nářadí i akumulátor.** V opačném případě vám mohou nářadí nebo akumulátor vyklouznout z ruky a mohlo by dojít k jejich poškození či ke zranění.

Jestliže chcete blok akumulátoru vyjmout, vysuňte jej se současným přesunutím tlačítka na přední straně akumulátoru. Při instalaci akumulátoru vyrovnejte jazyček na bloku akumulátoru s drážkou v krytu a zasuňte akumulátor na místo. Akumulátor zasuňte na doraz, až zacvakne na místo. Není-li tlačítko zcela zajištěno, uvidíte na jeho horní straně červený indikátor.

⚠ UPOZORNĚNÍ:

- Akumulátor zasunujte vždy zcela tak, aby nebyl červený indikátor vidět. Jinak by mohl akumulátor ze zařízení vypadnout a způsobit zranění obsluze či přihlížejícím osobám.
- Blok akumulátoru nenasazujte násilím. Nelze-li akumulátor zasunout snadno, nevkládáte jej správně.

POZNÁMKA:

- Nářadí jen s jedním nasazeným blokem akumulátoru nepracuje.

Systém ochrany nářadí a akumulátoru

Nářadí je vybaveno systémem ochrany nářadí a akumulátoru. Tento systém automaticky přeruší napájení motoru, aby se prodloužila životnost nářadí a akumulátoru. Budou-li nářadí nebo akumulátor vystaveny některé z níže uvedených podmínek, nářadí se během provozu automaticky vypne: Za určitých podmínek se rozsvítí kontrolky.

Ochrana proti přetížení

Pokud se s nářadím pracuje způsobem vyvolávajícím mimořádně vysoký odběr proudu, nářadí se automaticky a bez jakékoli signalizace vypne. V takové situaci nářadí vypněte a ukončete činnost, při níž došlo k přetížení nářadí. Potom nářadí zapněte a obnovte činnost.

Ochrana proti přehřátí akumulátoru či nářadí

Při přehřátí akumulátoru či nářadí se nářadí automaticky a bez jakékoli signalizace vypne. Nářadí pak nelze spustit ani mačkáním spouště. V takovém případě nechte akumulátor či nářadí před opětovným zapnutím vychladnout.

POZNÁMKA: Ochrana proti přehřátí akumulátoru funguje pouze při použití bloku akumulátoru označeného hvězdičkou.

► **Obr.3:** 1. Značka hvězdičky

Ochrana proti přílišnému vybití

► **Obr.4:** 1. Kontrolka akumulátoru

















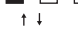
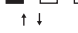





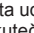
Při nízké zbývající kapacitě akumulátoru se na příslušné straně akumulátoru rozblíká kontrolka. Při dalším používání se nářadí vypne a kontrolka akumulátoru se asi na 10 sekund rozsvítí. V takovém případě dobijte blok akumulátoru.

Indikace zbývající kapacity akumulátoru

Pouze pro akumulátory s diodovým ukazatelem

► **Obr.5:** 1. Kontrolky 2. Tlačítko kontroly

Stisknutím tlačítka kontroly na akumulátoru zjistíte zbývající kapacitu akumulátoru. Kontrolky indikátoru se na několik sekund rozsvítí.

Kontrolky			Zbývající kapacita
 Svítí	 Nesvítí	 Bliká	
			75 % až 100 %
			50 % až 75 %
			25 % až 50 %
			0 % až 25 %
			Nabíjte akumulátor.
			Došlo pravděpodobně k poruše akumulátoru.
			

POZNÁMKA: Kapacita udávaná indikátorem se může mírně lišit od skutečné kapacity v závislosti na podmínkách používání a teplotě prostředí.

Zapínání

⚠ UPOZORNĚNÍ:

- Před instalací bloku akumulátoru do zařízení vždy zkontrolujte správnou funkci spouště a zda se spoušť po uvolnění vrací do polohy „VYP“.

► **Obr.6:** 1. Odjišťovací tlačítko 2. Spínač

Jako prevence náhodného stisknutí spouště je k dispozici odjišťovací tlačítko.

Chcete-li nástroj uvést do chodu, stiskněte odjišťovací tlačítko a poté spoušť. Chcete-li nástroj vypnout, uvolněte spoušť.

Kontrola brzdy řetězu

POZNÁMKA:

- Pokud se řetězová pila nespustí, je nutné uvolnit brzdou řetězu. Potáhněte přední chránič ruky pevně dozadu, až ucítíte aretaci.

Při spouštění držte řetězovou pilu oběma rukama. Horní držadlo držte pravou rukou a přední držadlo levou rukou. Lišta ani řetěz nesmějí být v kontaktu s žádným předmětem. Nejdříve stiskněte odjišťovací tlačítko a poté spoušť. Řetězová pila se okamžitě spustí.

► **Obr.7:** 1. Přední ochrana rukou 2. Zajistit 3. Odjistit

Hřbetem ruky zatlačte na přední chránič ruky směrem vpřed. Pilový řetěz se musí okamžitě zastavit.

⚠️ UPOZORNĚNÍ:

- Pokud se při provádění této zkoušky pilový řetěz okamžitě nezastaví, nesmí být řetězová pila za žádných okolností dále používána. Kontaktujte specializovanou opravnu společnosti MAKITA.

Kontrola doběhové brzdy

Uvedte řetězovou pilu do chodu. Uvolněte úplně spoušť. Pilový řetěz se musí do jedné sekundy zastavit.

⚠️ UPOZORNĚNÍ:

- Pokud se při provádění této zkoušky pilový řetěz nezastaví do jedné sekundy, nesmí být řetězová pila dále používána. Kontaktujte specializovanou opravnu společnosti MAKITA.

Seřízení mazání řetězu

► **Obr.8:** 1. Stavěcí šroub

Výkon olejového čerpadla lze seřídít regulačním šroubem. Množství přiváděného oleje lze upravit univerzálním klíčem.

Karabina (místo k upevnění provazu)

► **Obr.9**

Karabina (místo k upevnění provazu) slouží k zavěšení nářadí. Před použitím karabinu vytáhněte a navazte na ni provaz.

MONTÁŽ

⚠️ UPOZORNĚNÍ:

- Před prováděním libovolných prací na nástroji se vždy přesvědčte, zda je nástroj vypnutý a je odpojen jeho akumulátor.

Sejmutí a instalace pilového řetězu

⚠️ UPOZORNĚNÍ:

- Při instalaci a demontáži pilového řetězu vždy používejte ochranné rukavice.
- Pilový řetěz a vodící lišta jsou ihned po skončení práce stále horké. Před prováděním jakékoli práce na nářadí je nechte dostatečně vychladnout.

Při demontáži pilového řetězu postupujte podle následujících kroků:

1. Stiskněte a zcela otevřete páčku až na doraz.
► **Obr.10:** 1. Kryt řetězového kola 2. Páčka
2. Otáčením seřizovacího knoflíku ve směru symbolu „-“ uvolněte napnutí pilového řetězu.
► **Obr.11:** 1. Regulační knoflík
3. Otáčením páčky vlevo povolte kryt řetězového kola a kryt sejměte.
4. Demontujte kryt řetězového kola.
5. Demontujte pilový řetěz a meč z řetězové pily.

Při montáži pilového řetězu postupujte podle následujících kroků:

6. Zajistíte správné nasměrování řetězu. Správný směr je na řetězu vyznačen značkou šipky.
► **Obr.12:** 1. Řetězové kolo
7. Jeden konec pilového řetězu nasadíte na horní stranu vodící lišty a druhý konec vedte kolem řetězového kola.
8. Nainstalujte meč na příslušné místo na řetězové pile.
9. Otočte seřizovacím knoflíkem ve směru „-“ a přesuňte regulační čep ve směru šipky.
► **Obr.13:** 1. Regulační čep
10. Na pilový řetěz nasadíte kryt tak, aby byl regulační čep umístěn v malém otvoru vodící lišty.
► **Obr.14:** 1. Otvor 2. Vodící tyč
11. Otočte páčkou zcela vpravo a vraťte se o čtvrt otáčky zpět, aby bylo možné seřídít napnutí povoleného řetězu.
12. Otáčením seřizovacího knoflíku nastavte napnutí řetězu.
13. Otáčením páčky vpravo zajistíte kryt řetězového kola.
► **Obr.15:** 1. Kryt řetězového kola 2. Páčka
14. Páčku stiskněte a vraťte ji do původní polohy.

Úprava napnutí pilového řetězu

Po mnoha hodinách provozování se může pilový řetěz povolit. Čas od času před zahájením používání zkontrolujte napnutí pilového řetězu.

1. Stiskněte a zcela otevřete páčku, až zacvakne na místě. Lehkým pootočením vlevo mírně uvolněte kryt řetězového kola.
► **Obr.16:** 1. Kryt řetězového kola 2. Páčka
 2. Mírně zvedněte konec vodící lišty.
► **Obr.17:** 1. Povolit 2. Utáhnout 3. Regulační knoflík 4. Vodící tyč 5. Pilový řetěz
 3. Otáčením seřizovacího knoflíku seřídíte napnutí pilového řetězu. Pilový řetěz napněte, až dolní strana pilového řetězu dosedne do vedení vodící lišty (viz oblast označená na obrázku kroužkem).
 4. Vodící lištu stále zlehka přidržujte a po seřízení napnutí řetězu dotáhněte kryt řetězového kola. Ujistěte se, zda se pilový řetěz na spodní straně neuvolnil.
 5. Páčku stiskněte a vraťte ji do původní polohy.
► **Obr.18:** 1. Kryt řetězového kola 2. Páčka
- Zajistěte, aby pilový řetěz těsně dosedl do spodní strany lišty.

⚠️ UPOZORNĚNÍ:

- Pilový řetěz nenapínejte příliš. Příliš silné napnutí pilového řetězu může způsobit přetřžení pilového řetězu, opotřebením vodící lišty a poškozením seřizovacího knoflíku.
- Příliš povolený řetěz může vyskočit z lišty, což znamená nebezpečí nehody.
- Postup montáže či sejmutí pilového řetězu provádějte v čistém prostředí bez výskytu pilin a jiných nečistot.

Zubová opěrka (volitelné příslušenství)

► Obr.19

Při instalaci zubové opěrky postupujte podle následujících kroků:

1. Podle popisu v tomto návodu k obsluze sejměte kryt řetězového kola, pilový řetěz a vodící lišty.
2. Přiložte zubovou opěrku zuby směrem nahoru tak, aby její otvory byly zarovnaný s otvory na motorové pile.
3. Zubovou opěrku zajistěte dvěma dodanými šrouby.

PRÁCE

▲ UPOZORNĚNÍ: Nezakrývejte ventilační otvory, jinak může dojít k přehřátí a poškození nářadí.

Mazání

- **Obr.20:** 1. Víčko olejové nádrže 2. Průzor pro kontrolu hladiny oleje (k doplňování nádrže olejem) 3. Průzor pro kontrolu hladiny oleje

Pilový řetěz je během provozu nástroje automaticky promazáván.

Zkontrolujte zbývající množství oleje v nádrži pomocí kontrolního průzoru.

Jestliže chcete nádrž doplnit, sejměte víčko z otvoru olejové nádrže.

Po doplnění nádrže vždy našroubujte na řetězovou pilu dodané víčko olejové nádrže.

▲ UPOZORNĚNÍ:

- Při prvním plnění řetězové pily řetězovým olejem nebo doplňování nádrže po úplném vyprázdnění nalévejte olej až k dolnímu okraji plnicího hrdla. V opačném případě mohou vzniknout problémy s přívodem oleje.
- Pro mazání pilového řetězu používejte výlučně olej určený pro řetězové pily Makita nebo olej běžně dostupné na trhu.
- Nikdy nepoužívejte olej, který obsahuje prach a částice nečistot ani těkavý olej.
- Při prořezávání stromů používejte rostlinný olej. Minerální olej může stromy ohrozit.
- Při prořezávání stromů nikdy netlačte na řetězovou pilu silou.
- Před zahájením řezání se přesvědčte, zda bylo na své místo našroubováno víčko olejové nádrže.

► Obr.21

Držte řetězovou pilu mimo dosah stromu. Uvedte pilu do chodu a počkejte, dokud nebude dosaženo dostatečného promazání pilového řetězu.

Před zapnutím pily přiložte k řezané větvi zubovou opěrku. Jinak může dojít k rozkolísání vodící lišty a následnému zranění obsluhy. Řežte dřevo pohybem pily dolů.

PRÁCE S ŘETĚZOVOU PILOU

Prořezávání stromů

- **Obr.22:** 1. Zubová opěrka

▲ UPOZORNĚNÍ:

- Je-li motor řetězové pily v provozu, udržujte všechny končetiny mimo dosah řetězu.
- Je-li motor řetězové pily v provozu, držte řetězovou pilu pevně oběma rukama.
- Nezacházejte příliš daleko. Neustále udržujte řádné postavení nohou a rovnováhu.

Před zapnutím pily přiložte k řezané větvi zubovou opěrku. Řezání bez kontaktu zubové opěrky s větví může způsobit rozkolísání vodící lišty a následné zranění obsluhy.

► Obr.23

Při řezání silných větví nejdříve provedte mělký řez zespodu a poté řez dokončete shora.

► Obr.24

Budete-li řezat silné větve zespodu, může se řez ve větvi zavřít a skřípnout pilový řetěz. Pokud budete řezat silné větve shora bez mělkého řezu zespodu, může se větev rozštípnout.

► Obr.25

Celý kmen nelze přeřezat najednou:

Vyvítejte na držadlo mírný tlak, pokračujte v řezání a poté řetězovou pilu mírně vytáhněte; poté přiložte hrot o trochu níže a dokončete řez zvednutím držadla.

Přenášení nástroje

- **Obr.26:** 1. Kryt vodící lišty 2. Kryt akumulátoru

Před přenášením z nářadí vždy vyjměte akumulátor a na vodící lištu nasaďte kryt vodící lišty. Nasaďte rovněž kryt akumulátoru na akumulátor.

ÚDRŽBA

▲ UPOZORNĚNÍ:

- Před zahájením kontroly nebo údržby nástroje se vždy přesvědčte, zda je nástroj vypnutý a je odpojen akumulátor.
- Při provádění kontrol a údržby vždy používejte ochranné rukavice.
- Nikdy nepoužívejte benzín, benzen, ředidlo, alkohol či podobné prostředky. Mohlo by tak dojít ke změnám barvy, deformacím či vzniku prasklin.

Ostření pilového řetězu

▲ UPOZORNĚNÍ:

- Před prováděním prací na pilovém řetězu vždy vyjměte akumulátor a použijte ochranné rukavice.

► Obr.27

Pilový řetěz je nutno naostřit v následujících případech:

- Při řezání vlhkého dřeva vznikají mouché piliny.
- Řetěz proniká obtížně do dřeva, a to i při vyvinutí silného tlaku.
- Řezná hrana je viditelně poškozena.
- Pila v dřevě táhne doleva nebo doprava. Důvodem tohoto chování je nerovnoměrné naostření pilového řetězu nebo jednostranné poškození.

Pilový řetěz ostřete často, ale při každém ostření odstraňujte pouze malé množství materiálu.

Při běžném přeastřování obvykle dostačují dvě nebo tři přetažení pilníkem. Po několika přeastřeních pilového řetězu jej nechejte naostřit ve specializované opravě společnosti MAKITA.

Kritéria ostření:

- Všechny délky břitů musí být stejné. Břity rozdílných délek znemožňují plynulý běh řetězu a mohou způsobit jeho přetržení.
 - Řetěz již neostřete, jakmile bylo dosaženo minimální délky řezných nástrojů 3 mm. V takovém případě je nutno nainstalovat nový řetěz.
 - Tloušťka třísky je dána vzdáleností mezi omezovací patkou (oblym nosem) a břitem.
 - Nejlepších výsledků řezání dosáhnete nastavením následující vzdálenosti mezi břitem a omezovací patkou.
 - Pilový řetěz 90PX: 0,5 mm
 - Pilový řetěz 91PX: 0,65 mm
 - Pilový řetěz 25AP: 0,65 mm
- **Obr.28:** 1. Délka řezu 2. Vzdálenost mezi břitem a omezovací patkou 3. Min. 3 mm

VAROVÁNÍ:

- Přilíží velká vzdálenost zvyšuje riziko zpětného rázu.
- 30° úhel ostření musí být v všech břitech shodný. Rozdíly v úhlech mohou vést k hrubému a nerovnoměrnému pohybu řetězu, urychlují opotřebení a způsobují přetržení řetězu.
 - Úhel boční hrany břitu je dán hloubkou průniku kruhového pilníku. Při řádném použití stanoveného pilníku se správný úhel boční hrany vytvoří automaticky.
 - Úhly boční hrany pro jednotlivé pilové řetězy jsou následující:
 - Pilový řetěz 90PX: 75°
 - Pilový řetěz 91PX: 80°
 - Pilový řetěz 25AP: 85°
- **Obr.29:** 1. Úhel boční hrany

Pilník a vedení pilníku

- K ostření řetězu používejte speciální kruhový pilník (volitelné příslušenství) na pilové řetězy. Běžné kruhové pilníky nejsou vhodné.
- Průměry kruhových pilníků pro jednotlivé pilové řetězy jsou následující:
 - Pilový řetěz 90PX: 4,5 mm
 - Pilový řetěz 91PX: 4,0 mm
 - Pilový řetěz 25AP: 4,0 mm
- Pilníkem odebírejte materiál břitu pouze při pohybu vpřed. Při zpětném pohybu pilník od břitu oddalte.

- Nejprve naostřete nejkratší břit. Délka nejkratšího břitu se pak stane vzorem pro všechny ostatní břity pilového řetězu.

► Obr.30

- Pilník vedte tak, jak je ilustrováno na obrázku.
- Pilník lze vést snadněji při použití držáku pilníku (volitelné příslušenství). Držák pilníku je opatřen značkami pro správný úhel ostření 30° (značky umístěte rovnoběžně s pilovým řetězem) a omezuje hloubku průniku (na 4/5 průměru pilníku).

► Obr.31

- Po naostření řetězu zkontrolujte výšku hloubkového dorazu pomocí řetězové měrky (volitelné příslušenství).

► Obr.32

- Speciálním plochým pilníkem (volitelné příslušenství) odstraňte případný přebytečný materiál.
- Opět zaoblete přední stranu hloubkového dorazu.

Čištění meče

► Obr.33

V drážce meče se hromadí třísky a piliny, kterou tak ucpávají a brání průtoku oleje. Při ostření a výměně pilového řetězu vždy odstraňte nahromaděné třísky a piliny.

Čištění olejového otvoru

Při provozu se na olejovém otvoru může hromadit drobný prach nebo třísky.

Drobný prach či třísky nahromaděné na olejovém otvoru mohou zhoršit průchod oleje a způsobit nedostatečné mazání celého pilového řetězu.

Dochází-li na horní straně vodící lišty k nedostatečnému průvodu oleje, vyčistěte následujícím způsobem olejový otvor. Vyjměte z nástroje akumulátor.

Demontujte z nástroje kryt řetězového kola a pilový řetěz. (Viz odstavec „Instalace a demontáž pilového řetězu“.)

► Obr.34:

 1. Plochý šroubovák

Tenkým plochým šroubovákem nebo podobným nástrojem odstraňte drobný prach či třísky.

Vložte do přístroje akumulátor.

Stisknutím spouště odstraňte pomocí vytékajícího řetězového oleje prach nebo částice nahromaděné na výstupu oleje.

Vyjměte z nástroje akumulátor.

Namontujte na nástroj kryt řetězového kola a pilový řetěz.

Výměna řetězového kola

► Obr.35:

 1. Řetězové kolo 2. Pojistný kroužek

Před nasazením nového pilového řetězu zkontrolujte stav řetězového kola.

▲ UPOZORNĚNÍ:

- Opatřené řetězové kolo poškodí nový pilový řetěz. V takovém případě nechejte řetězové kolo vyměnit. Řetězové kolo je třeba nainstalovat tak, aby bylo vždy nasměrováno tak, jak je znázorněno na obrázku.

► Obr.36:

 1. Pojistný kroužek 2. Řetězové kolo

Při výměně řetězového kola vždy použijte nový pojistný prsteneček.

Výměna uhlíků

► Obr.37: 1. Mezní značka

Uhlíky pravidelně vyjímejte a kontrolujte. Jsou-li opotřebené až po mezní značku, vyměňte je. Uhlíky musí být čisté a musí volně zapadat do svých držáků. Oba uhlíky je třeba vyměňovat současně. Používejte výhradně stejné uhlíky.

► Obr.38: 1. Víčko držáku uhlíku 2. Šroubovák

Pomocí šroubováku odšroubujte víčka uhlíků. Vyměňte opotřebené uhlíky, vložte nové a zašroubujte víčka nazpět.

Uložení nástroje

Před uložením nástroje jej vyčistěte. Po demontáži krytu řetězového kola z nástroje odstraňte případné třísky a piliny. Po vyčištění nástroje jej spusťte bez zatížení, aby došlo k promáznutí pilového řetězu a meče. Na vodici lištu nasadte kryt vodící lišty. Vyprázdněte olejovou nádrž vypuštěním oleje a nasadte nový pilový řetěz.

Kvůli zachování BEZPEČNOSTI a SPOLEHLIVOSTI výrobku musí být opravy a veškerá další údržba či seřizování prováděny autorizovanými servisními středisky firmy Makita a s použitím náhradních dílů Makita.

Pokyny k pravidelné údržbě

K zajištění dlouhé životnosti, jako prevenci proti poškození a k zabezpečení plné funkčnosti bezpečnostních prvků je třeba pravidelně provádět následující údržbu.

Záruční nároky mohou být uznány pouze v případě, že budou tyto práce pravidelně a řádně prováděny. Zanedbání předepsané údržby může vést k úrazům!

Uživatel řetězové pily nesmí provádět práce údržby, jež nejsou popsány v návodu k obsluze. Veškeré takové práce musí být provedeny v autorizovaných servisních střediscích.

Položka	Provozní doba	Než začnete pracovat	Každodenně	Každý týden	Každé 3 měsíce	Jednou za rok	Před skladováním
	Řetězová pila	Kontrola.	○				
Vyčištění.			○				
Kontrola v autorizovaném servisním středisku.						○	○
Pilový řetěz	Kontrola.	○					
	V případě potřeby řetěz naostřete.						○
Vodící tyč	Kontrola.	○	○				
	Sejmout z řetězové pily.						○
Brzda řetězu	Kontrola funkce.	○					
	Brzdu nechte pravidelně kontrolovat v autorizovaném servisním středisku.					○	
Mazání řetězu	Zkontrolujte množství přiváděného oleje.	○					
Spoušť	Kontrola.	○					
Odjišťovací tlačítko	Kontrola.	○					
Víčko olejové nádrže	Kontrola těsnosti.	○					
Zachycovač řetězu	Kontrola.				○		
Šrouby a matice	Kontrola.				○		

ODSTRAŇOVÁNÍ PROBLÉMŮ

Před žádostí o opravu proveďte nejprve prohlídku sami. Narazíte-li na problém, jenž v této příručce není vysvětlen, nepouštějte se do demontáže zařízení. Požádejte o pomoc některé z autorizovaných servisních středisek Makita, kde k opravám vždy používají náhradní díly Makita.

Stav poruchy	Příčina	Náprava
Řetězová pila nestartuje.	Nejsou nainstalovány dva bloky akumulátoru.	Nainstalujte nabitě bloky akumulátoru.
	Problém s akumulátorem (nízké napětí).	Nabijte blok akumulátoru. Jestliže nabití nepomůže, vyměňte blok akumulátoru.
Řetěz se nepohybuje.	Brzda řetězu byla aktivována.	Uvolněte brzdu řetězu.
Motor se po krátké době provozu zastaví.	Akumulátor není dostatečně nabitý.	Nabijte blok akumulátoru. Jestliže nabití nepomůže, vyměňte blok akumulátoru.
Na řetězu není olej.	Olejevá nádrž je prázdná.	Naplňte olejovou nádrž.
	Znečištěná mazací drážka.	Vyčistěte drážku.
	Přívod oleje není správně nastaven.	Seřídte množství přiváděného oleje.
Nářadí nedosahuje maximálních otáček.	Blok akumulátoru je nesprávně nasazen.	Nainstalujte blok akumulátoru podle popisu v této příručce.
	Poklesl výkon akumulátoru.	Nabijte blok akumulátoru. Jestliže nabití nepomůže, vyměňte blok akumulátoru.
	Systém pohonu nepracuje správně.	Předejte zařízení k opravě v místním autorizovaném servisním středisku.
Řetěz se nezastaví ani při aktivaci brzdy řetězu: zařízení okamžitě vypněte!	Opotřeбенý brzdový pás.	Předejte zařízení k opravě v místním autorizovaném servisním středisku.
Nenormální vibrace: zařízení okamžitě vypněte!	Povolená vodící lišta nebo pilový řetěz.	Seřídte vodící lištu a napnutí pilového řetězu.
	Porucha nářadí.	Předejte zařízení k opravě v místním autorizovaném servisním středisku.

VOLITELNÉ PŘÍSLUŠENSTVÍ

UPOZORNĚNÍ:

- Pro váš nástroj Makita, popsany v tomto návodu, doporučujeme používat toto příslušenství a nástavce. Při použití jiného příslušenství či nástavců může hrozit nebezpečí zranění osob. Příslušenství a nástavce lze používat pouze pro jejich stanovené účely.

Potřebujete-li bližší informace ohledně tohoto příslušenství, obraťte se na vaše místní servisní středisko firmy Makita.

- Originální akumulátor a nabíječka Makita
- Pilový řetěz
- Vodící lišta
- Kryt vodící lišty
- Pilník
- Vak na nářadí

POZNÁMKA:

- Některé položky seznamu mohou být k zařízení přibaleny jako standardní příslušenství. Přibalené příslušenství se může v různých zemích lišit.

Makita Europe N.V. Jan-Baptist Vinkstraat 2,
3070 Kortenberg, Belgium

Makita Corporation 3-11-8, Sumiyoshi-cho,
Anjo, Aichi 446-8502 Japan

www.makita.com

885324C976
EN, UK, PL, RO,
DE, HU, SK, CS
20190829