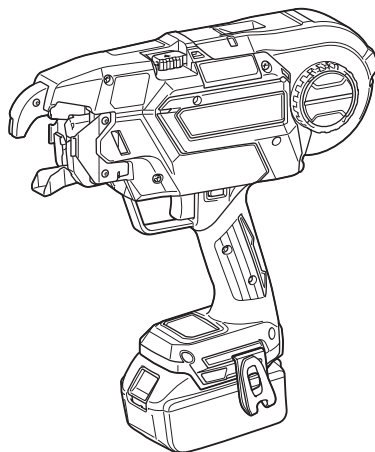




EN	Cordless Rebar Tying Tool	INSTRUCTION MANUAL	10
PL	Akumulatorowe Narzędzie do Wiązania Zbrojenia	INSTRUKCJA OBSŁUGI	19
HU	Akkumulátoros betonacél-kötöző szerszám	HASZNÁLATI KÉZIKÖNYV	29
SK	Akkumulátorový nástroj na viazanie vystužovacích tyčí	NÁVOD NA OBSLUHU	39
CS	Akkumulátorová vázačka drátů	NÁVOD K OBSLUZE	48
UK	Акумуляторний Пістолет Для В'язання Арматури	ІНСТРУКЦІЯ З ЕКСПЛУАТАЦІЇ	57
RO	Mașină de legat bare pentru armături, cu acumulator	MANUAL DE INSTRUCȚIUNI	67
DE	Akku-Drahtbindemaschine	BETRIEBSANLEITUNG	77

DTR180



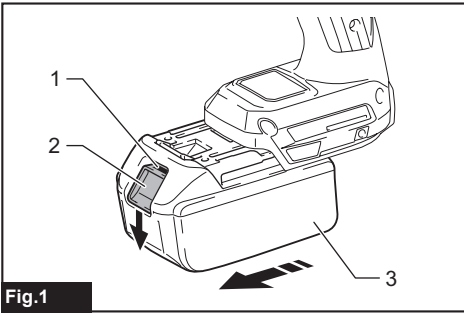


Fig.1

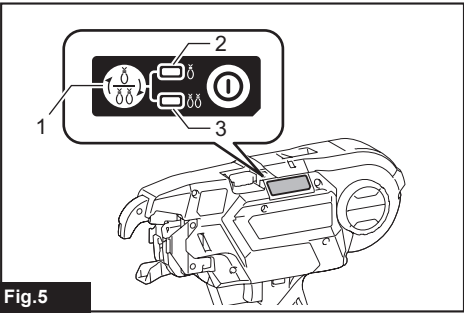


Fig.5



Fig.2

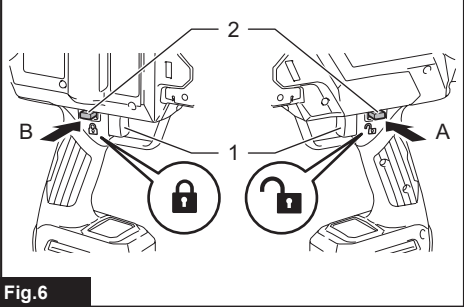


Fig.6



Fig.3



Fig.7

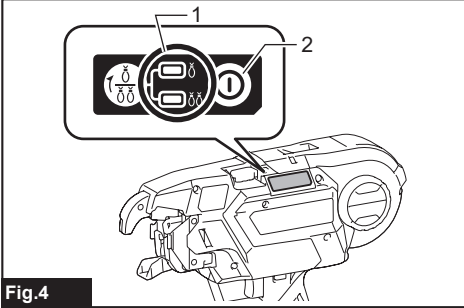


Fig.4

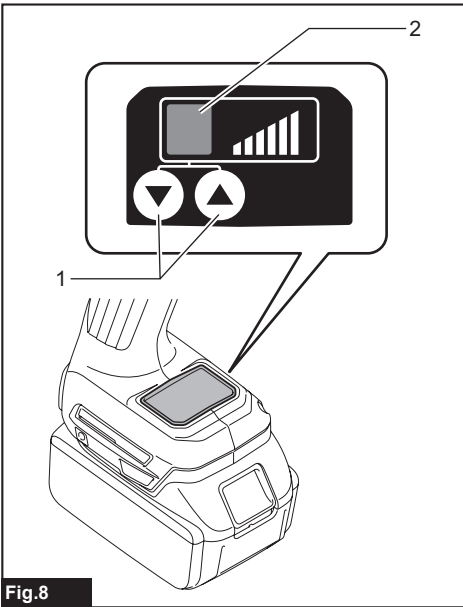


Fig.8

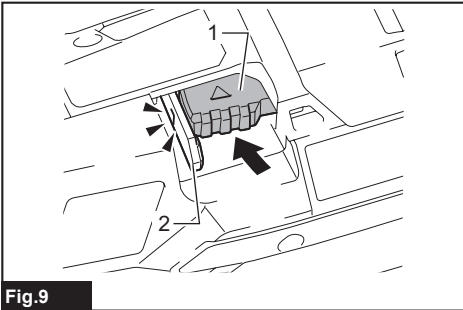


Fig.9

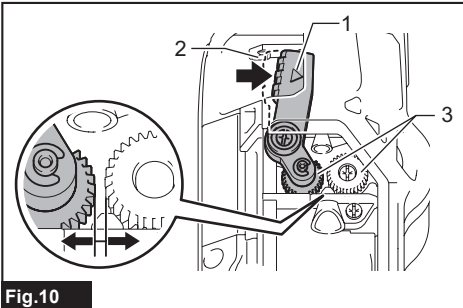


Fig.10

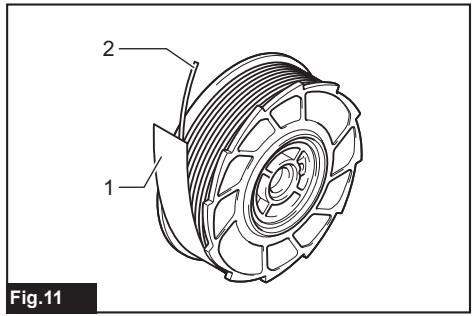


Fig.11

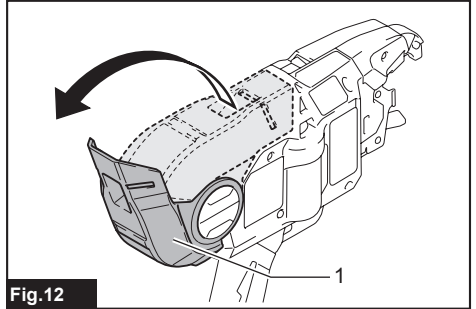


Fig.12

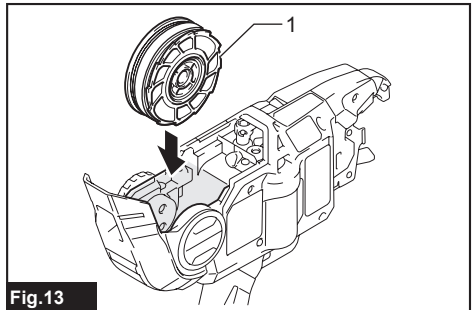


Fig.13

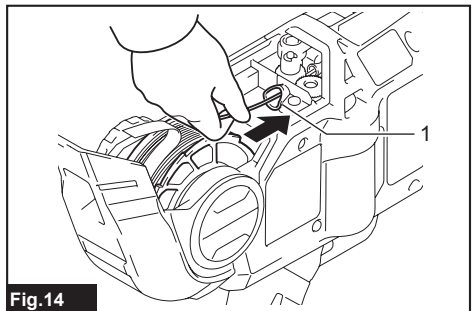
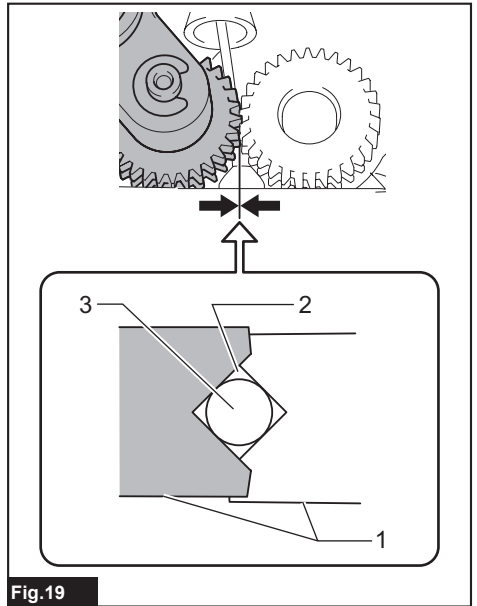
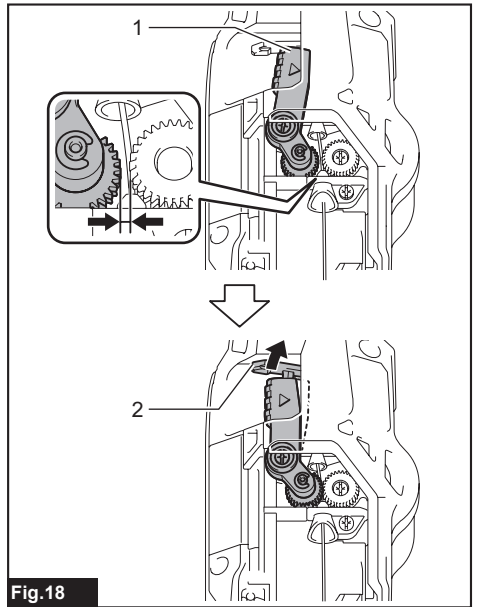
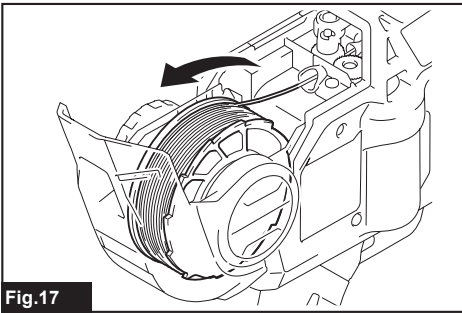
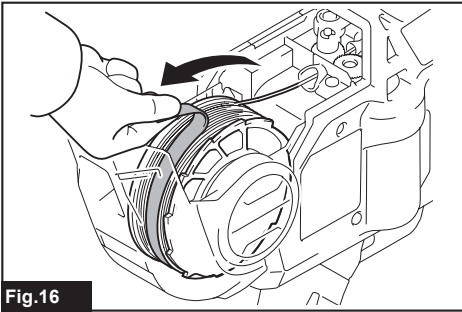
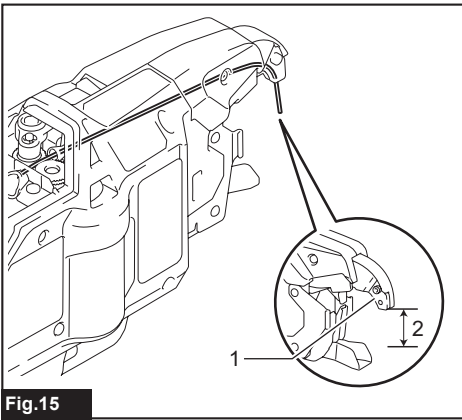


Fig.14



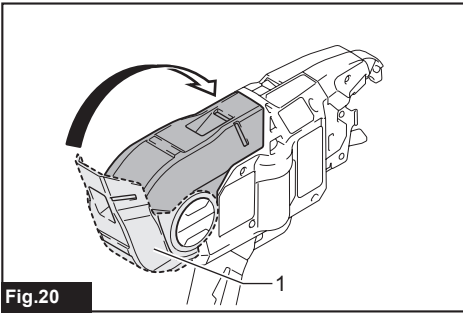


Fig.20

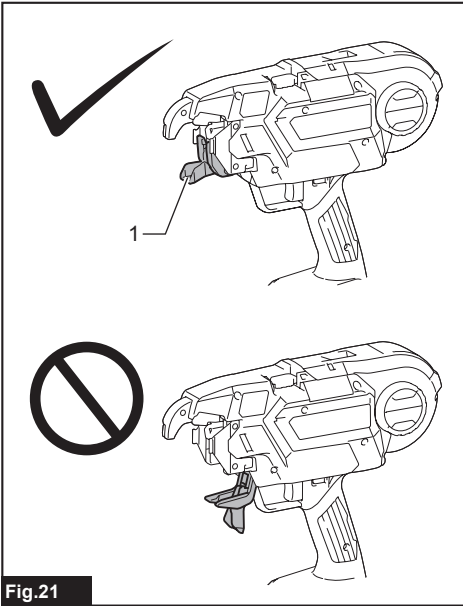


Fig.21

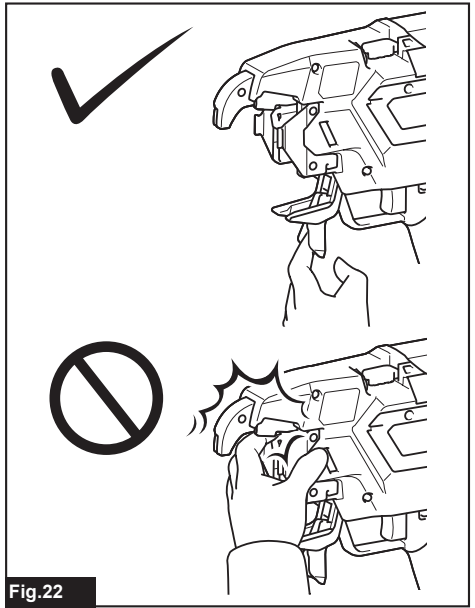


Fig.22

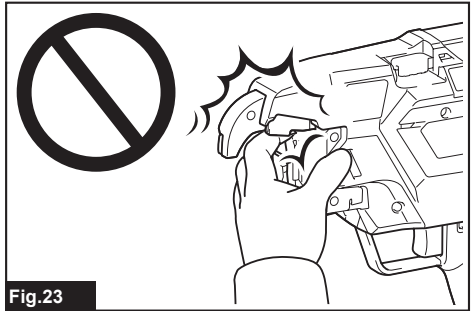


Fig.23

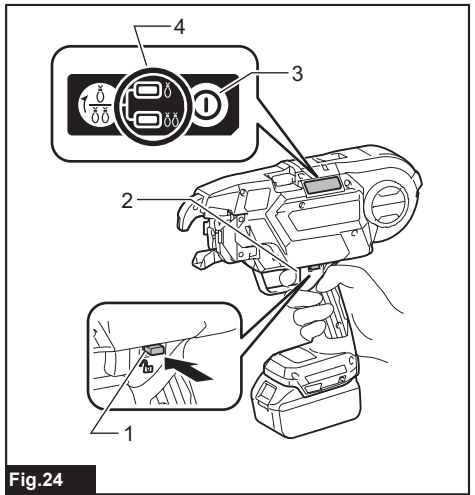


Fig.24

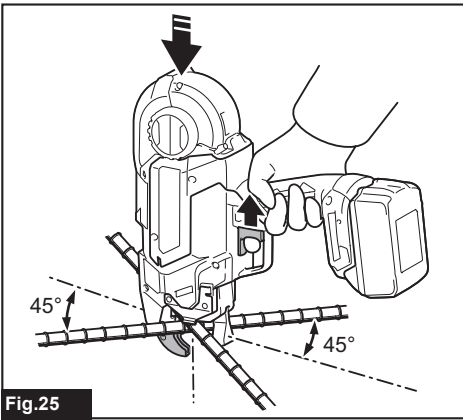


Fig. 25

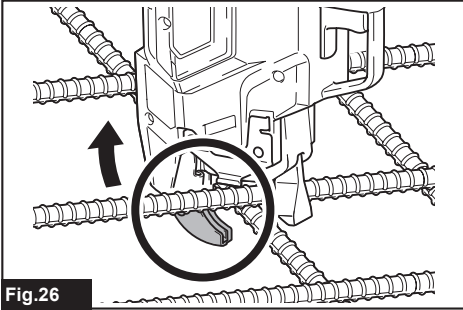


Fig. 26

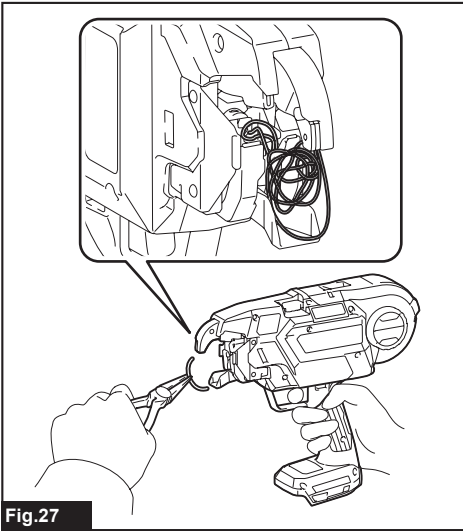


Fig. 27

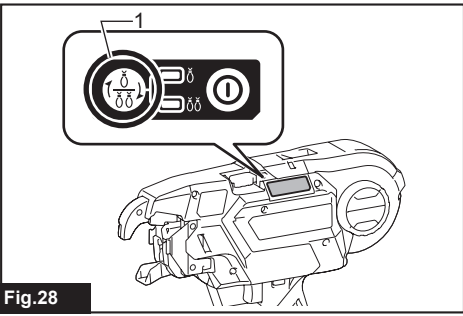


Fig. 28

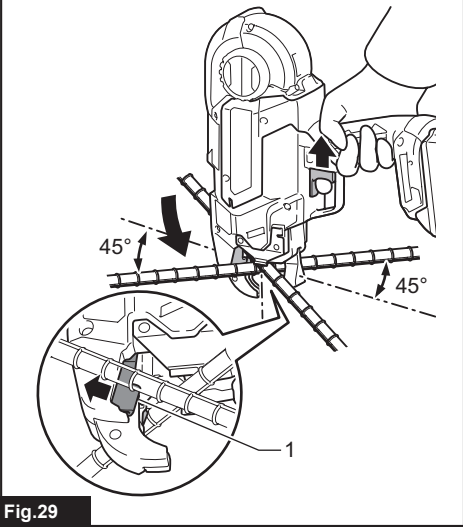


Fig. 29

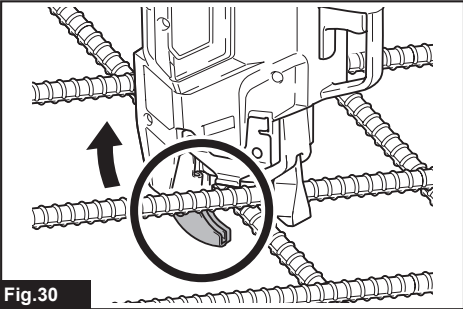


Fig. 30

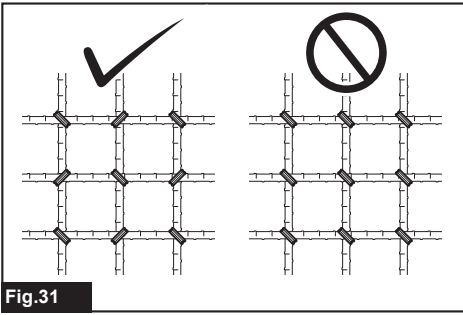


Fig.31

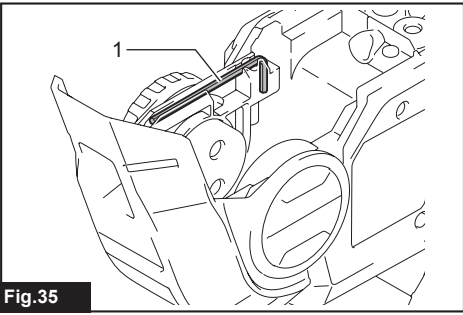


Fig.35

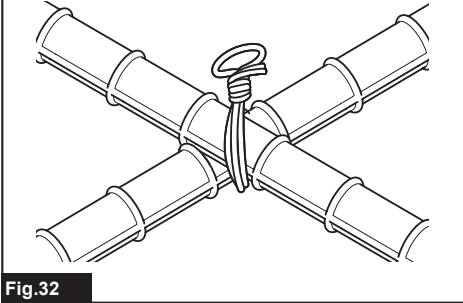


Fig.32

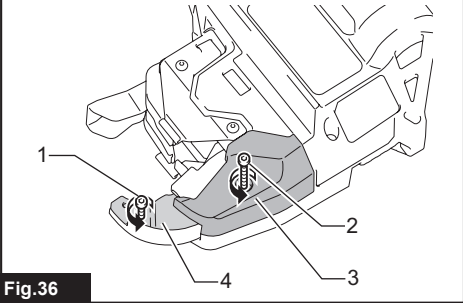


Fig.36

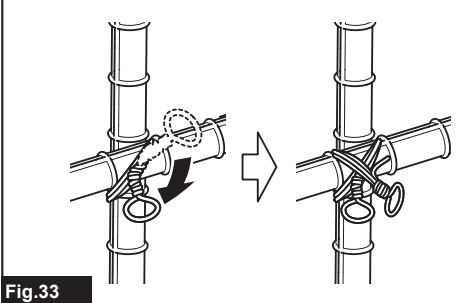


Fig.33

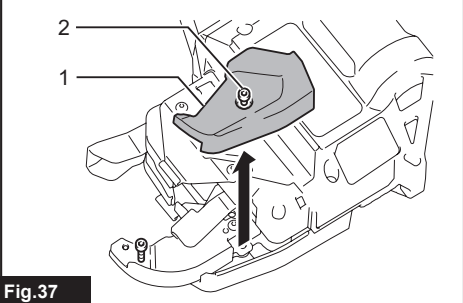


Fig.37

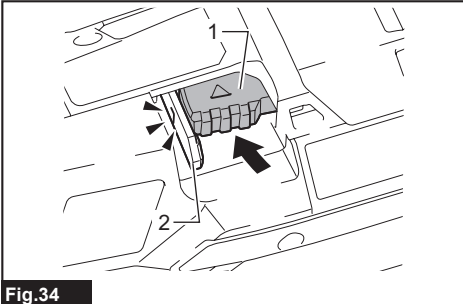
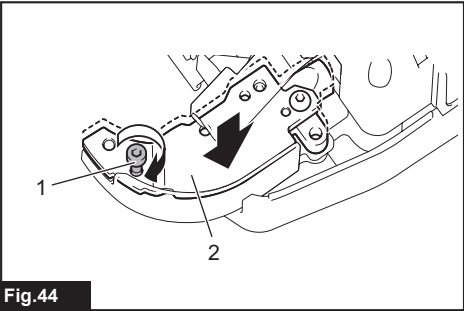
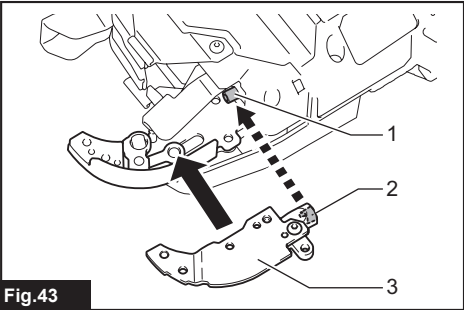
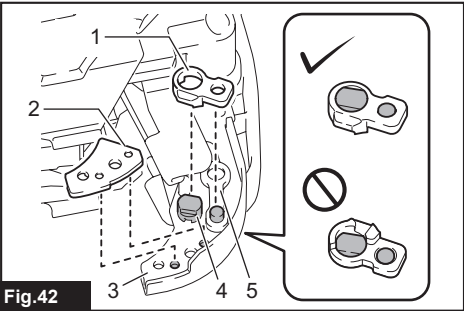
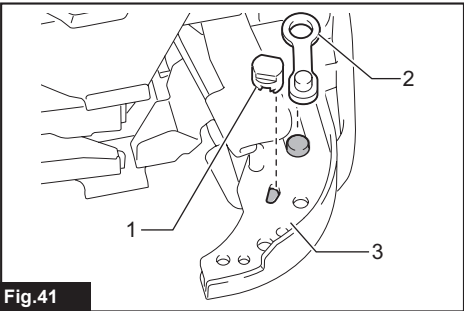
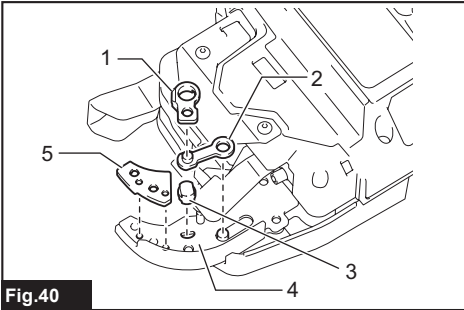
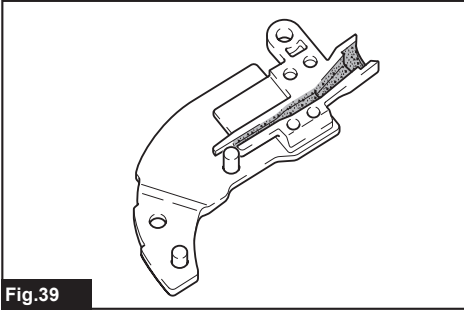
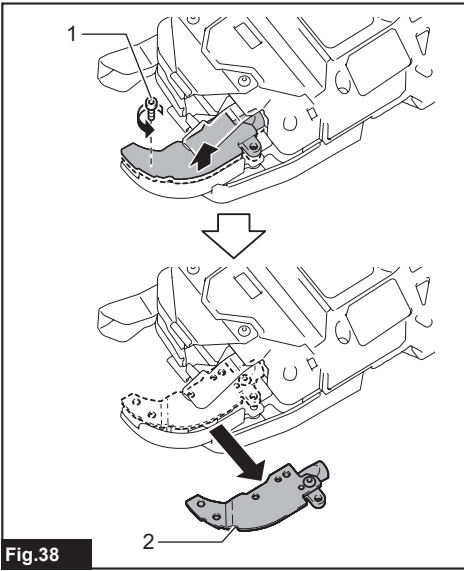
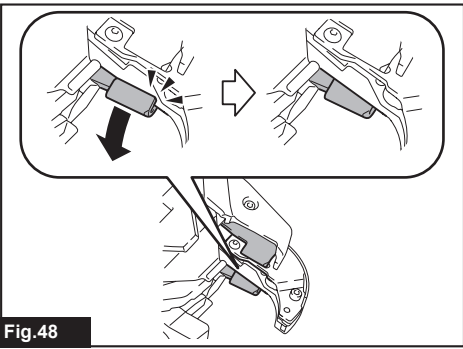
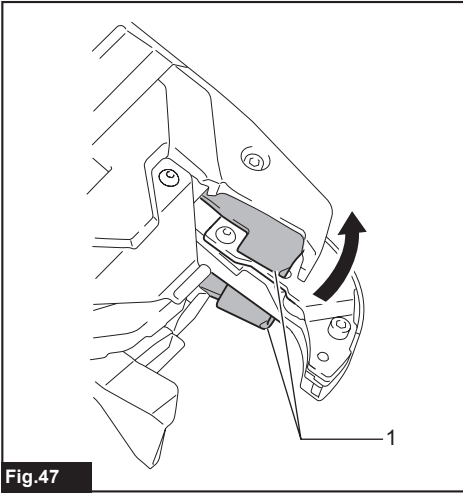
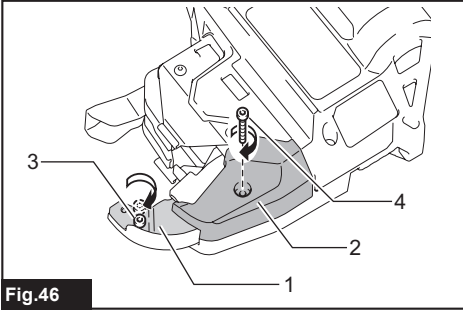
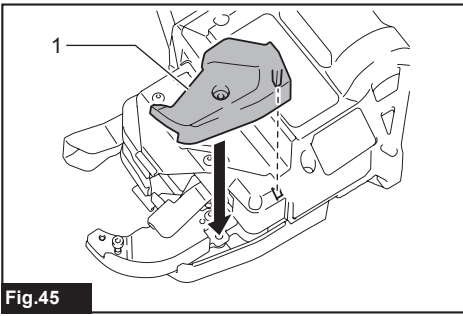


Fig.34





SPECIFICATIONS

Model:	DTR180
Tie wire (Optional accessory)	ø0.8 mm
Diameter of rebars that can be tied	From #3 x #3 to (#4 x 2) x (#4 x 2) From 10 mm x 10 mm to (13 mm x 2) x (13 mm x 2)
Approximate number of ties per reel	Approximately 120 ties
Overall length	304 mm
Rated voltage	D.C. 14.4/18 V
Net weight	2.3 - 2.6 kg

- Due to our continuing program of research and development, the specifications herein are subject to change without notice.
- Specifications and battery cartridge may differ from country to country.
- The weight may differ depending on the attachment(s), including the battery cartridge. The lightest and heaviest combination, according to EPTA-Procedure 01/2014, are shown in the table.

Applicable battery cartridge and charger

Battery cartridge	D.C. 14.4 V Model	BL1415N / BL1430 / BL1430B / BL1440 / BL1450 / BL1460B
	D.C. 18 V Model	BL1815N / BL1820 / BL1820B / BL1830 / BL1830B / BL1840 / BL1840B / BL1850 / BL1850B / BL1860B
Charger	DC18RC / DC18RD / DC18RE / DC18SD / DC18SE / DC18SF	

- Some of the battery cartridges and chargers listed above may not be available depending on your region of residence.

⚠ WARNING: Only use the battery cartridges and chargers listed above. Use of any other battery cartridges and chargers may cause injury and/or fire.

Combination of rebars that can be tied

Combination of 2 rebars

	#3 (10 mm)	#4 (13 mm)	#5 (16 mm)
#3 (10 mm)	✓	✓	✓
#4 (13 mm)	✓	✓	✓
#5 (16 mm)	✓	✓	✓

Combination of 3 rebars

	#3 x #3 (10 mm x 10 mm)	#4 x #4 (13 mm x 13 mm)
#3 (10 mm)	✓	✓
#4 (13 mm)	✓	✓
#5 (16 mm)	✓	-







Combination of 4 rebars

	#3 x #3 (10 mm x 10 mm)	#4 x #4 (13 mm x 13 mm)
#3 x #3 (10 mm x 10 mm)	✓	✓
#4 x #4 (13 mm x 13 mm)	✓	✓

NOTICE: If there is a gap between rebars or if the tool is used at an incorrect orientation, the rebars may not be able to be tied.

Symbols

The following show the symbols used for the equipment. Be sure that you understand their meaning before use.

	Read instruction manual.
	Wear safety glasses.
	Do not expose to rain.
	Keep hands away from the wire reel or wire when operating the tool.
	Keep hands away from the tool tip.
	Only for EU countries Do not dispose of electric equipment or battery pack together with household waste material! In observance of the European Directives, on Waste Electric and Electronic Equipment and Batteries and Accumulators and Waste Batteries and Accumulators and their implementation in accordance with national laws, electric equipment and batteries and battery pack(s) that have reached the end of their life must be collected separately and returned to an environmentally compatible recycling facility.

Intended use

The tool is intended for tying rebars.

Noise

The typical A-weighted noise level determined according to EN60745-2-18 (EN12549):
Sound pressure level (L_{pA}): 78 dB(A)
Uncertainty (K): 3 dB(A)

The noise level under working may exceed 80 dB (A).

⚠ WARNING: Wear ear protection.

Vibration

The vibration total value (tri-axial vector sum) determined according to EN60745-2-18 (ISO8662-11):
Work mode: Tying metal rod
Vibration emission (a_h): 2.5 m/s² or less
Uncertainty (K): 1.5 m/s²

NOTE: The declared vibration emission value has been measured in accordance with the standard test method and may be used for comparing one tool with another.

NOTE: The declared vibration emission value may also be used in a preliminary assessment of exposure.

⚠ WARNING: The vibration emission during actual use of the power tool can differ from the declared emission value depending on the ways in which the tool is used.

⚠ WARNING: Be sure to identify safety measures to protect the operator that are based on an estimation of exposure in the actual conditions of use (taking account of all parts of the operating cycle such as the times when the tool is switched off and when it is running idle in addition to the trigger time).

EC Declaration of Conformity

For European countries only

The EC declaration of conformity is included as Annex A to this instruction manual.

SAFETY WARNINGS

General power tool safety warnings

⚠ WARNING: Read all safety warnings, instructions, illustrations and specifications provided with this power tool. Failure to follow all instructions listed below may result in electric shock, fire and/or serious injury.

Save all warnings and instructions for future reference.

The term "power tool" in the warnings refers to your mains-operated (corded) power tool or battery-operated (cordless) power tool.

Cordless rebar tying tool safety warnings

1. **Never point the tool toward a person. Never put your hands or feet close to the tool tip.** If you accidentally operate the tool while it is touching someone, it will lead to an unexpected accident.
2. **Do not load wire while the power to the tool is turned on.** Otherwise, you may get caught in the wire and injured.
3. **Do not use the tool without closing the reel cover.** Otherwise, the wire reel may come off and cause an accident.
4. **Be sure to check that the diameters of rebars to be tied are within the tool capacity before beginning work.**

5. **Wear clothes that have close-fitting hemlines and sleeves. Do not work with a towel or other object wrapped around your neck.** Otherwise, they may get caught in the rotating part and cause an accident.
6. **Be sure to inspect the following points before using the tool.**
 - Check that no parts are damaged
 - Check that no bolts are loose
 - Check that safety devices operate normally
7. **If any abnormalities are found, stop using the tool immediately. Do not repair the tool by yourself. Ask your local Makita Service Center for repairs.** If the tool is used in an incomplete state, an accident may occur.
8. **When installing the battery cartridge, be sure to lock the trigger and do not place your finger on the trigger.** Incorrect operation may cause an accident.
9. **When tying rebars, exercise care not to move them.** If rebars move due to tying, you may be injured.
10. **Do not touch the wires during the wire tying process.** Otherwise, you may get caught in the wire and injured.
11. **Do not bring your hands close to the tying point during the wire tying process.** Otherwise, you may get caught in the wire and injured.
12. **Hold the grip of the tool firmly during the wire tying process.** Otherwise, your wrist may be twisted or your body may be pulled, which may result in an injury.
13. **Do not move to the next tying point until the current wire tying process is completed.** Otherwise, you may be injured.
14. **Pay attention to the end of the wire during the wire tying process.** Otherwise, your hand may be caught by the end of the wire, and you may be injured.
15. **Do not touch the contact plate during the wire tying process. If you need to touch the contact plate, be sure to lock the trigger, or turn the power switch off and remove the battery cartridge.** Otherwise, you may be injured.
16. **When you have completed the wire tying process, pull the tool up vertically.** Otherwise, the arm may be caught on rebars, which may cause an accident.
17. **Be careful not to drop, bump, or hit the tool. If a strong impact is applied prior to the tool being used, make sure that the tool is not damaged or cracked, and that the safety devices operate normally.** Otherwise, an accident may occur.
18. **If any of the following phenomena occur, lock the trigger, turn the power switch off, and remove the battery cartridge from the tool.** If the tool operates incorrectly, an accident may occur.
 - If an operating sound is heard as soon as the battery cartridge is mounted.
 - If overheating or abnormal smells or noises are detected.
- When you are taking measures in response to the error display. (Ask your local Makita Service Center for repairs.)
- When loading or unloading a wire reel.
- When you move while holding the tool during work.
- When you do not use the tool.
- When you inspect or adjust the tool.
- When you remove a stranded wire.
19. **When working on scaffolding, always stabilize it and work using a posture that will ensure you maintain your balance.** If scaffolding is unstable, an accident may occur.
20. **When working on a roof or similar locations, move in a forward direction while working so that you can see where you are going.** If you move in a backward direction while working, you may lose your footing and cause an accident.
21. **If you are working in a highly elevated location, ensure that no one is below you, and pay attention to ensure you do not drop any tools while working.** Dropping the tool may cause an accident.
22. **Do not use the tool for any work other than wire tying.** Otherwise, an accident may occur.
23. **Always use Makita's genuine wires. If wires are not used for a long period of time, they may rust. Do not use rusted wires.** Otherwise, they may cause an accident.
24. **After tying, check for wire breakage due to excessive twisting. If any wires are broken, tying strength will be lost. Adjust the tying strength, and tie the rebars again.**
25. **Securely place the arm against the rebars.** If it is not securely positioned, a clearance will be created between the rebars, and tying strength will be compromised.

Important safety instructions for battery cartridge

1. **Before using battery cartridge, read all instructions and cautionary markings on (1) battery charger, (2) battery, and (3) product using battery.**
2. **Do not disassemble battery cartridge.**
3. **If operating time has become excessively shorter, stop operating immediately. It may result in a risk of overheating, possible burns and even an explosion.**
4. **If electrolyte gets into your eyes, rinse them out with clear water and seek medical attention right away. It may result in loss of your eyesight.**
5. **Do not short the battery cartridge:**
 - (1) **Do not touch the terminals with any conductive material.**
 - (2) **Avoid storing battery cartridge in a container with other metal objects such as nails, coins, etc.**
 - (3) **Do not expose battery cartridge to water or rain.**

A battery short can cause a large current flow, overheating, possible burns and even a breakdown.

6. Do not store the tool and battery cartridge in locations where the temperature may reach or exceed 50 °C (122 °F).
7. Do not incinerate the battery cartridge even if it is severely damaged or is completely worn out. The battery cartridge can explode in a fire.
8. Be careful not to drop or strike battery.
9. Do not use a damaged battery.
10. The contained lithium-ion batteries are subject to the Dangerous Goods Legislation requirements.
For commercial transports e.g. by third parties, forwarding agents, special requirement on packaging and labeling must be observed.
For preparation of the item being shipped, consulting an expert for hazardous material is required. Please also observe possibly more detailed national regulations.
Tape or mask off open contacts and pack up the battery in such a manner that it cannot move around in the packaging.
11. Follow your local regulations relating to disposal of battery.
12. Use the batteries only with the products specified by Makita. Installing the batteries to non-compliant products may result in a fire, excessive heat, explosion, or leak of electrolyte.

SAVE THESE INSTRUCTIONS.

⚠ CAUTION: Only use genuine Makita batteries. Use of non-genuine Makita batteries, or batteries that have been altered, may result in the battery bursting causing fires, personal injury and damage. It will also void the Makita warranty for the Makita tool and charger.

Tips for maintaining maximum battery life

1. Charge the battery cartridge before completely discharged. Always stop tool operation and charge the battery cartridge when you notice less tool power.
2. Never recharge a fully charged battery cartridge. Overcharging shortens the battery service life.
3. Charge the battery cartridge with room temperature at 10 °C - 40 °C (50 °F - 104 °F). Let a hot battery cartridge cool down before charging it.
4. Charge the battery cartridge if you do not use it for a long period (more than six months).

FUNCTIONAL DESCRIPTION

⚠ CAUTION: Always be sure that the tool is switched off and the battery cartridge is removed before adjusting or checking function on the tool.

Installing or removing battery cartridge

⚠ CAUTION: Always switch off the tool before installing or removing of the battery cartridge.

⚠ CAUTION: Hold the tool and the battery cartridge firmly when installing or removing battery cartridge. Failure to hold the tool and the battery cartridge firmly may cause them to slip off your hands and result in damage to the tool and battery cartridge and a personal injury.

► Fig.1: 1. Red indicator 2. Button 3. Battery cartridge

To remove the battery cartridge, slide it from the tool while sliding the button on the front of the cartridge.

To install the battery cartridge, align the tongue on the battery cartridge with the groove in the housing and slip it into place. Insert it all the way until it locks in place with a little click. If you can see the red indicator on the upper side of the button, it is not locked completely.

⚠ CAUTION: Always install the battery cartridge fully until the red indicator cannot be seen. If not, it may accidentally fall out of the tool, causing injury to you or someone around you.



















⚠ CAUTION: Do not install the battery cartridge forcibly. If the cartridge does not slide in easily, it is not being inserted correctly.

Indicating the remaining battery capacity

Only for battery cartridges with the indicator

► Fig.2: 1. Indicator lamps 2. Check button

Press the check button on the battery cartridge to indicate the remaining battery capacity. The indicator lamps light up for a few seconds.

Indicator lamps			Remaining capacity
 Lighted	 Off	 Blinking	
			75% to 100%
			50% to 75%
			25% to 50%
			0% to 25%
			Charge the battery.
 	 	 	The battery may have malfunctioned.

NOTE: Depending on the conditions of use and the ambient temperature, the indication may differ slightly from the actual capacity.

Tool / battery protection system

The tool is equipped with a tool/battery protection system. This system automatically cuts off power to the motor to extend tool and battery life. The tool will automatically stop during operation if the tool or battery is placed under one of the following conditions:

Overload protection

When the battery is operated in a manner that causes it to draw an abnormally high current, the tool automatically stops and the corresponding error number is displayed on the display panel. In this situation, turn the tool off and stop the application that caused the tool to become overloaded. Then turn the tool on to restart.

Overheat protection

When the tool or battery is overheated, the tool stops automatically and the corresponding error number is displayed on the display panel. In this case, let the tool and battery cool before turning the tool on again.

Overdischarge protection

When the battery capacity is not enough, the tool stops automatically and the corresponding error number is displayed on the display panel. In this case, remove the battery from the tool and charge the battery.

Main power switch

CAUTION: When you turn the power on, never bring your limbs or face close to the binding or rotating parts of the tool tip. Otherwise, you may be injured.

CAUTION: When the power is turned on, never touch the binding or rotating parts of the tool tip. Otherwise, you may be injured.

CAUTION: Before inserting the battery cartridge, be sure to release your fingers from the switch trigger and lock the trigger. If you insert the battery cartridge while the switch trigger is being pulled, it may cause an accident if the wire tying process is accidentally carried out.

► Fig.3

When you press the power button, the power turns on and the tying mode lamp lights up. In order for the tool to adjust its initial position, it operates temporarily. When adjustment has completed, the tool stops automatically. When you press the power button again, the power turns off and the tying mode lamp goes out.

► Fig.4: 1. Tying mode lamp 2. Power button

NOTE: The tool has an auto power-off function. If the switch trigger is not pulled for 10 minutes, the tool is automatically turned off to reduce battery power consumption.

NOTE: To restart the tool, turn the power on again.

Mode switching button

When the power is turned on and the tying mode lamp is lit, you can select the single actuation mode or the continuous actuation mode via the mode switching button. When you turn the power on again, the tool starts in the mode that was most recently selected.

► Fig.5: 1. Mode switching button 2. Single actuation mode 3. Continuous actuation mode

Switch action

WARNING: Before installing the battery cartridge into the tool, always check to see that the switch trigger actuates properly and returns to the "OFF" position when released.

CAUTION: When not operating the tool, depress the trigger-lock button from A side to lock the switch trigger in the OFF position.

► Fig.6: 1. Switch trigger 2. Trigger-lock button

To prevent the switch trigger from accidentally pulled, the trigger-lock button is provided. To start the tool, depress the trigger-lock button from A side and pull the switch trigger. Release the switch trigger to stop. After use, press in the trigger-lock button from B side.

When you pull the switch trigger, the tool performs the next sequential operations as follows, and the tool stops automatically.

1. Feed the wire.
2. Cut the wire.
3. The hook holds and twists the wire.
4. The hook returns to the original position.

Tying strength setting

CAUTION: Be sure to lock the trigger before starting the adjustment. When you turn the power on, never bring your limbs or face close to the binding or rotating parts of the tool tip. Otherwise, you may be injured.

► Fig.7

You can set the tying strength by adjusting the tying strength adjusting button. Tying strength is shown on the display panel.

► Fig.8: 1. Tying strength adjusting button 2. Display panel

If the wire is broken off, tying strength will be lost. After tying, check the twisted portion for breakage. If the wire is broken off, adjust the tying strength using the tying strength adjusting button, and tie the rebars again.

Remaining battery notification

When the battery voltage drops below the required level, the tool will stop operating, an error tone will sound, and the number "4" will appear on the display panel. The error tone will continue to sound until the power is turned off.

NOTE: If the ambient temperature is extremely low, the error tone may sound even when the battery contains sufficient power.

ASSEMBLY

⚠ CAUTION: Always be sure that the tool is switched off and the battery cartridge is removed before carrying out any work on the tool.

Loading the tie wire (wire reel)

⚠ CAUTION: Before mounting or dismounting tie wires and accessories, be sure to turn the power off, lock the trigger, and remove the battery cartridge. Failure to do so may cause an accident.

NOTICE: Using wires other than Makita's genuine tie wires (annealed wires) may cause the tool to malfunction.

1. Push the release lever, and lock it with the lock lever.

▶ Fig.9: 1. Release lever 2. Lock lever

When you push the release lever, a gap is created between the left and right feed gears.

▶ Fig.10: 1. Release lever 2. Lock lever 3. Feed gears

2. Peel off the tape that holds the wire, and pull the tip of the wire out.

▶ Fig.11: 1. Tape 2. Tip of wire

3. Open the reel cover.

▶ Fig.12: 1. Reel cover

4. Mount the wire reel on the tool in the orientation shown in the figure.

▶ Fig.13: 1. Wire reel

NOTICE: Be sure to mount the wire reel in the orientation shown in the figure. If it is mounted the other way around, the wire will be released and may be twisted.

5. Make the tip of the wire straight, and pass the wire through the guide.

▶ Fig.14: 1. Guide

NOTE: If the tip of the wire is bent when it is passed through the guide, the wire may become jammed in the tool.

NOTE: If you force the wire when trying to pass it through the guide, the wire may become jammed.

6. Pull the wire out approximately 10 mm from the tip of the arm.

▶ Fig.15: 1. Arm 2. Approximately 10 mm

NOTICE: If the length of the pulled-out wire is insufficient, the wire may be broken off when tied, or tying strength may be compromised due to insufficient wraps.

7. Remove all tape that holds the wire.

▶ Fig.16

8. Rewind the wire to eliminate its slack.

▶ Fig.17

9. Release the lock lever. The release lever returns, and the wire is held by the left and right gears.

▶ Fig.18: 1. Release lever 2. Lock lever

▶ Fig.19: 1. Gear 2. Path of the wire 3. Wire

NOTICE: When the lock lever is released and when the left and right gears mesh with each other, the grooves in the gears form a space. This space becomes the path for the wire. Make sure that the wire is passed through this path.

10. Close the reel cover.

▶ Fig.20: 1. Reel cover

OPERATION

Checking before work

⚠ CAUTION: If the tool has a safety mechanism-related problem, do not use it. If you continue to use it, an accident may occur.

Before using the tool, make sure that the safety mechanism operates normally. If the tool operates without the safety mechanism operating, stop using the tool immediately. Ask your local Makita Service Center for repairs.

Checking the trigger-lock

The tool has the trigger-lock to prevent the tool from operating when you do not intend to use it. Lock the trigger and confirm that the switch trigger cannot be pulled.

Checking the curl guide

To prevent the operator from touching the binding or rotating parts of the tool tip by mistake, the tool will not operate even if the switch trigger is pulled while the curl guide is opened. When the operator releases their finger from the switch trigger and closes the curl guide, the tool can operate.

▶ Fig.21: 1. Curl guide

Checkout for curl guide open/close detection

Remove the tie wire, check the tool operation according to the following steps, and make sure that the tool does not start if the curl guide is open.

1. Turn the power off, and leave the curl guide open.
2. Turn the power on.

If the tool will not operate and if the value "2" is shown on the display panel, the state of the tool is normal. Turn the power off, and close the curl guide.

If the tool operates and if no error is shown on the display panel, the state of the tool is abnormal. Stop using the tool immediately, and ask your local Makita Service Center for repairs.

⚠ CAUTION: If you open the curl guide and turn the power on to check the interlock, hold the curl guide as shown in the figure. Never bring your limbs or face close to the binding or rotating parts of the tool tip. Otherwise, you may be injured.

▶ Fig.22

Tying work

⚠ CAUTION: Before inserting the battery cartridge, be sure to release your fingers from the switch trigger and lock the trigger. If you insert the battery cartridge while the switch trigger is being pulled, it may cause an accident if the wire tying process is accidentally carried out.

⚠ CAUTION: When you turn the power on, never bring your limbs or face close to the binding or rotating parts of the tool tip. Otherwise, you may be injured.

⚠ CAUTION: When the power is turned on, never touch the binding or rotating parts of the tool tip. Otherwise, you may be injured.

► Fig.23

Preparation before work

1. Make sure that the battery cartridge is removed and the trigger is locked.
2. Insert the battery cartridge into the tool, and turn the power on. When you turn the power on, the wire is cut automatically.

NOTICE: Make sure that the tying mode lamp lights up when the power is turned on. If it does not light up, recharge the battery.

3. Release the trigger lock.
- Fig.24: 1. Trigger-lock button 2. Switch trigger
3. Power button 4. Tying mode lamp

Single actuation mode

1. Push the arm securely against the tying point. Push the tool vertically against the rebars, and press the arm against the point where the rebars cross at a 45-degree angle.
► Fig.25
2. Pull the switch trigger once.
3. The wire is fed and cut automatically.
4. The hook holds and twists the wire, then returns to the original position after the wires have been tied.
► Fig.26
5. After tying, exercise care not to hook the arm on the rebars and pull the tool up.

⚠ CAUTION: If the wire has clung to the binding part of the tool tip, turn the power of the tool off. Lock the trigger, remove the battery cartridge, and remove the wire using tools such as nippers or pliers.

► Fig.27

Continuous actuation mode

1. Switch the tool mode from the single actuation mode to the continuous actuation mode using the mode switching button.
► Fig.28: 1. Mode switching button

2. Release the trigger lock.
3. While pulling the switch trigger, push the tool vertically against the rebars, and press the arm against the point where the rebars cross at a 45-degree angle. Press the contact plate firmly against the tying point. The wire will be tied.
► Fig.29: 1. Contact plate
4. After tying, exercise care not to hook the arm on the rebars and pull the tool up.
► Fig.30

Cautions on working

- If you move the arm from the tying position during the wire tying process, the wire will get stuck on the hook, which may lead to incorrect tying.
- Keep pressing the tool against the rebars until the wire tying process is completed.
- Do not move to the next tying point until the current wire tying process is completed.
- The tool tip rotating part (hook) twists the wire during the wire tying process. Hold the grip firmly so that your body is not pulled by the tool.
- Do not touch the wires during the wire tying process.
- If you are repeating the wire tying processes in the single actuation mode, fully release your finger from the switch trigger. Then, continue to operate the switch trigger.
- If you pull the switch trigger when there is no tie wire left, an error is displayed. Replace with a new tie wire and restart the tool.

Tying tips

- Tilt the tool at a 45° angle to the crossed rebars, and tie alternately as shown in the figure.
► Fig.31
- Avoid strumous sections of rebars.
► Fig.32
- If tying strength is insufficient, change the tying orientation and perform tying twice so that tying strength increases.
► Fig.33

NOTICE: When you make the second tie, bend the tail of the first tie before making the second tie. Otherwise, the wire may be repelled a second time. It may cling to the tool tip, and the hook may be damaged.

Replacing the tie wires

⚠ CAUTION: When you replace the wire, be sure to turn the power off, lock the trigger, and remove the battery cartridge. Failure to do so may cause an accident.

1. When wire has been used up, an error tone will sound and error "1" will be displayed.
2. Lock the trigger, turn the power off, and remove the battery cartridge.

3. Push the release lever, and lock it with the lock lever.

► **Fig.34:** 1. Release lever 2. Lock lever

4. Remove the wire reel from the tool.

NOTE: When wire has been used up normally, approximately 20 cm of the wire remains wound on the reel. In this state, replace the wire reel with a new one.

If it is difficult to remove the wire reel from the tool, follow the steps below.

1. Insert the battery cartridge into the tool, and turn the power on. The tool feeds the wire and cuts it automatically.

2. Lock the trigger, turn the power off, and remove the battery cartridge.

3. Remove the wire breaks using tools such as nippers or pliers.

MAINTENANCE

CAUTION: Always be sure that the tool is switched off and the battery cartridge is removed before attempting to perform inspection or maintenance.

NOTICE: Never use gasoline, benzine, thinner, alcohol or the like. Discoloration, deformation or cracks may result.

To maintain product SAFETY and RELIABILITY, repairs, any other maintenance or adjustment should be performed by Makita Authorized or Factory Service Centers, always using Makita replacement parts.

Storage of the hex wrench

Store the hex wrench in the position shown in the figure.

► **Fig.35:** 1. Hex wrench

Cleaning the cutter

When the tool is used for a long period of time, dust and wire particles may become adhered to the cutter section. In such a case, disassemble and clean the cutter according to the following procedure.

If a wire is caught in the cutter section, the wire can be removed by following the same procedure.

Disassembling and cleaning

1. Loosen bolts A and B using the hex wrench included in the tool package.

► **Fig.36:** 1. Bolt A 2. Bolt B 3. Contact plate cover 4. Wire guide B

NOTICE: Do not forcibly remove any bolts that cannot be removed using the hex wrench.

2. Pull the contact plate cover up in the direction of the arrow and remove it. Bolt B will be removed at the same time.

► **Fig.37:** 1. Contact plate cover 2. Bolt B

3. Remove bolt A, and remove wire guide B.

► **Fig.38:** 1. Bolt A 2. Wire guide B

4. Turn wire guide B over and clean its inside.

► **Fig.39**

5. Remove cutter A, cutter B, top plate, and link arm A from arm plate A. Then, clean them.

► **Fig.40:** 1. Cutter B 2. Link arm 3. Cutter A 4. Arm plate A 5. Top plate

Assembling

When cleaning is finished, assemble the parts according to the following procedure.

1. Install cutter A and link arm A to fit the shape of arm plate A.

► **Fig.41:** 1. Cutter A 2. Link arm A 3. Arm plate A

2. Install cutter B and the top plate onto arm plate A. (Install cutter B on cutter A and link arm A.)

► **Fig.42:** 1. Cutter B 2. Top plate 3. Arm plate A 4. Cutter A 5. Link arm A

NOTICE: Face the projection of cutter B downward, and install the cutter as shown in the figure.

3. Align the pipe of the tool with the groove inside the wire guide B, and assemble them.

► **Fig.43:** 1. Pipe 2. Groove 3. Wire guide B

4. Fix wire guide B by temporarily tightening bolt A.

► **Fig.44:** 1. Bolt A 2. Wire guide B

5. Install the contact plate cover in the direction of the arrow.

► **Fig.45:** 1. Contact plate cover

6. Fix wire guide B and contact plate cover securely by tightening bolt A and bolt B.

► **Fig.46:** 1. Wire guide B 2. Contact plate cover 3. Bolt A 4. Bolt B

7. After assembling, confirm that the contact plate can move as shown in the figure.

► **Fig.47:** 1. Contact plate

NOTE: If the contact plate is caught, press it as shown in the figure.

► **Fig.48**

Error display and error tone

⚠ CAUTION: During inspection, be sure to lock the trigger, turn the power off, and remove the battery cartridge. Failure to do so may cause an accident.

⚠ CAUTION: When you turn the power on, never bring your limbs or face close to the binding or rotating parts of the tool tip. Otherwise, you may be injured.

⚠ CAUTION: When the power is turned on, never touch the binding or rotating parts of the tool tip. Otherwise, you may be injured.

⚠ CAUTION: If an error tone sounds, or if the tool malfunctions, immediately stop using the tool.

Error tone and display

If an error occurs, an error tone will sound, and an error number will be shown on the display panel. Refer to the following table and take appropriate actions. If the error persists, ask Makita Authorized Service Centers for repairs.

Display	Symptom	Possible cause	Solution
1	The tool stops operating.	The wire has been used up.	Load new tie wire.
		Tie wire is not loaded.	Load tie wire.
		Wire feeding has failed.	Check the orientation of the tie wire. Unload the tie wire, and load it again. Clean the path of wire.
2	The tool stops operating.	The curl guide is open.	Close the curl guide.
3	The tool does not perform the tying process in continuous actuation mode.	The contact plate is caught.	Release the contact plate from being caught.
4	The tool does not start. The tool stops operating.	The battery has been discharged. The temperature of the battery cartridge is abnormally high.	Recharge the battery. Cool the battery cartridge down. Replace the battery cartridge with a recharged one.
5	The tool stops operating.	The motor is overloaded.	Determine the cause of the obstruction of the motor rotation and solve the problem.
		Motor failure	
6	The tool stops operating.	The temperature of the tool is abnormally high.	Cool the tool down.
7	The tool does not start.	Tool failure	Ask Makita Authorized Service Centers for repairs.
	The tool stops operating.		

OPTIONAL ACCESSORIES

⚠ CAUTION: These accessories or attachments are recommended for use with your Makita tool specified in this manual. The use of any other accessories or attachments might present a risk of injury to persons. Only use accessory or attachment for its stated purpose.

If you need any assistance for more details regarding these accessories, ask your local Makita Service Center.

- Tie wire
- Makita genuine battery and charger

NOTE: Some items in the list may be included in the tool package as standard accessories. They may differ from country to country.

DANE TECHNICZNE

Model:	DTR180
Drut wiązalkowy (akcesorium opcjonalne)	ø0,8 mm
Średnica wiązanych prętów zbrojeniowych	Od #3 x #3 do (#4 x 2) x (#4 x 2) Od 10 mm x 10 mm do (13 mm x 2) x (13 mm x 2)
Szacowana liczba wiązań na szpule	Okolo 120 wiązań
Długość całkowita	304 mm
Napięcie znamionowe	Prąd stały 14,4/18 V
Masa netto	2,3–2,6 kg

- W związku ze stale prowadzonym przez naszą firmę programem badawczo-rozwojowym niniejsze dane mogą ulec zmianom bez wcześniejszego powiadomienia.
- W innych krajach urządzenie może mieć odmienne parametry techniczne i może być wyposażone w inny akumulator.
- Masa może być różna w zależności od osprzętu, w tym akumulatora. W tabeli przedstawiona jest najlżejsza i najcięższa konfiguracja, zgodnie z procedurą EPTA 01/2014.

Kompatybilne akumulatory i ładowarki

Akumulator	Model 14,4 V, prąd stały	BL1415N / BL1430 / BL1430B / BL1440 / BL1450 / BL1460B
	Model 18 V, prąd stały	BL1815N / BL1820 / BL1820B / BL1830 / BL1830B / BL1840 / BL1840B / BL1850 / BL1850B / BL1860B
Ładowarka		DC18RC / DC18RD / DC18RE / DC18SD / DC18SE / DC18SF

- Pewne z wymienionych powyżej akumulatorów i ładowarek mogą być niedostępne w regionie zamieszkania użytkownika.

⚠ OSTRZEŻENIE: Należy używać wyłącznie akumulatorów i ładowarek wymienionych powyżej. Używanie innych akumulatorów i ładowarek może stwarzać ryzyko wystąpienia obrażeń ciała lub pożaru.

Możliwe połączenia prętów zbrojeniowych

Połączenie 2 prętów zbrojeniowych

	#3 (10 mm)	#4 (13 mm)	#5 (16 mm)
#3 (10 mm)	✓	✓	✓
#4 (13 mm)	✓	✓	✓
#5 (16 mm)	✓	✓	✓

Połączenie 3 prętów zbrojeniowych

	#3 x #3 (10 mm x 10 mm)	#4 x #4 (13 mm x 13 mm)
#3 (10 mm)	✓	✓
#4 (13 mm)	✓	✓
#5 (16 mm)	✓	-

Połączenie 4 prętów zbrojeniowych

	#3 x #3 (10 mm x 10 mm)	#4 x #4 (13 mm x 13 mm)
#3 x #3 (10 mm x 10 mm)	✓	✓
#4 x #4 (13 mm x 13 mm)	✓	✓

UWAGA: Związanie prętów zbrojeniowych może być niemożliwe do wykonania, jeśli między prętami będzie występować przerwa lub jeśli narzędzie będzie używane w nieprawidłowym ustawieniu.

Symbole

Poniżej pokazano symbole zastosowane na urządzeniu. Przed rozpoczęciem użytkowania należy zapoznać się z ich znaczeniem.



Przeczytać instrukcję obsługi.



Nosić okulary ochronne.



Należy chronić przed deszczem.



Podczas używania narzędzia nie zbliżać rąk do szpuli drutu lub drutu.



Nie zbliżać rąk do końcówki narzędzia.



Dotyczy tylko państw UE
Nie wyrzucać urządzeń elektrycznych ani akumulatorów wraz z odpadami z gospodarstwa domowego!
Zgodnie z dyrektywami europejskimi w sprawie zużytego sprzętu elektrycznego i elektronicznego oraz baterii i akumulatorów oraz zużytych baterii i akumulatorów, a także dostosowaniem ich do prawa krajowego, zużyte urządzenia elektryczne, baterie i akumulatory, należy składować osobno i przekazywać do zakładu recyklingu działającego zgodnie z przepisami dotyczącymi ochrony środowiska.

Przeznaczenie

Narzędzie jest przeznaczone do wiązania prętów zbrojeniowych.

Hałas

Typowy równoważny poziom dźwięku A określony w oparciu o normę EN60745-2-18 (EN12549):
Poziom ciśnienia akustycznego (L_{pA}): 78 dB(A)
Niepewność (K): 3 dB(A)

Poziom hałasu podczas pracy może przekraczać 80 dB (A).

OSTRZEŻENIE: Nosić ochronniki słuchu.

Drgania

Całkowita wartość poziomu drgań (suma wektorów w 3 osiach) określona zgodnie z normą EN60745-2-18 (ISO8662-11):

Tryb pracy: Wiązanie metalowych prętów

Emisja drgań (a_{h1}): 2,5 m/s² lub mniej

Niepewność (K): 1,5 m/s²

WSKAZÓWKA: Deklarowana wartość wytwarzanych drgań została zmierzona zgodnie ze standardową metodą testową i można ją wykorzystać do porównywania narzędzi.

WSKAZÓWKA: Deklarowaną wartość wytwarzanych drgań można także wykorzystać we wstępnej ocenie narażenia.

OSTRZEŻENIE: Drgania wytwarzane podczas rzeczywistego użytkowania elektronarzędzia mogą się różnić od wartości deklarowanej, w zależności od sposobu jego użytkowania.

OSTRZEŻENIE: W oparciu o szacowane narażenie w rzeczywistych warunkach użytkowania należy określić środki bezpieczeństwa w celu ochrony operatora (uwzględniając wszystkie elementy cyklu działania, tj. czas, kiedy narzędzie jest wyłączone i kiedy pracuje na biegu jałowym, a także czas, kiedy jest włączone).

Deklaracja zgodności WE

Dotyczy tylko krajów europejskich

Deklaracja zgodności WE jest dołączona jako załącznik A do niniejszej instrukcji obsługi.

OSTRZEŻENIA DOTYCZĄCE BEZPIECZEŃSTWA

Ogólne zasady bezpiecznej eksploatacji elektronarzędzi

OSTRZEŻENIE: Należy zapoznać się z ostrzeżeniami dotyczącymi bezpieczeństwa, instrukcjami, ilustracjami i danymi technicznymi dołączonymi do tego elektronarzędzia. Niezastosowanie się do podanych poniżej instrukcji może prowadzić do porażenia prądem, pożaru i/lub poważnych obrażeń ciała.

Wszystkie ostrzeżenia i instrukcje należy zachować do wykorzystania w przyszłości.

Pojęcie „elektronarzędzie”, występujące w wymienionych tu ostrzeżeniach, odnosi się do elektronarzędzia zasilanego z sieci elektrycznej (z przewodem zasilającym) lub do elektronarzędzia akumulatorowego (bez przewodu zasilającego).

Ostrzeżenia dotyczące bezpieczeństwa obsługi akumulatorowego narzędzia do wiązania zbrojeń

1. **Nigdy nie kierować narzędzia w stronę innych osób. Nigdy nie zbliżać rąk ani stóp do końcówki narzędzia.** Przypadkowe użycie narzędzia w momencie, gdy styka się ono z inną osobą, spowoduje niespodziewany wypadek.

2. **Nie wkładać drutu, gdy narzędzie jest włączone.** Mogłoby to spowodować, że drut wciągnie rękę, i doprowadzić do obrażeń.
3. **Nie używać narzędzia z otwartą pokrywą szpuli.** Mogłoby to spowodować wypadnięcie szpuli drutu i w konsekwencji wypadek.
4. **Przed rozpoczęciem pracy należy zawsze sprawdzić, czy średnice prętów zbrojeniowych, które mają zostać związane, mieszczą się w zakresie określonym dla narzędzia.**
5. **Nosić ubranie ściśle przylegające do ciała. Nie pracować z rącznikiem lub innym przedmiotem owiniętym wokół szyi.** Mogłoby to spowodować, że przedmiot taki wkręci się w obracającą się element i doprowadzić do wypadku.
6. **Przed użyciem narzędzia należy sprawdzić następujące kwestie.**
 - Sprawdzić, czy żaden element nie jest uszkodzony.
 - Sprawdzić, czy żadna śruba nie jest poluzowana.
 - Sprawdzić, czy urządzenia zabezpieczające pracują w normalny sposób.
7. **W przypadku wykrycia nieprawidłowości niezwłocznie zaprzestać używania narzędzia. Nie naprawiać narzędzia samodzielnie. Zlecić naprawę w lokalnym autoryzowanym punkcie serwisowym Makita.** Używanie niekompletnego narzędzia może być przyczyną wypadku.
8. **Podczas wkładania akumulatora do narzędzia upewnić się, że spust jest zablokowany, i nie dotykać go.** Niezastosowanie się do tej instrukcji może doprowadzić do wypadku.
9. **Podczas wiązania prętów zbrojeniowych uważać, aby ich nie przesunąć.** Przesunięcie prętów zbrojeniowych podczas wiązania może spowodować obrażenia.
10. **Nie dotykać drutu podczas wiązania prętów.** Mogłoby to spowodować, że drut wciągnie rękę, i doprowadzić do obrażeń.
11. **Nie zbliżać rąk do punktu wiązania podczas wiązania prętów.** Mogłoby to spowodować, że drut wciągnie rękę, i doprowadzić do obrażeń.
12. **Podczas wiązania prętów trzymać narzędzie pewnym chwytem.** W przeciwnym razie może dojść do wykręcenia nadgarstka lub pociągnięcia ciała przez narzędzie, co może spowodować obrażenia.
13. **Nie przechodzić do kolejnego punktu wiązania do momentu ukończenia bieżącego wiązania.** Mogłoby to doprowadzić do obrażeń ciała.
14. **Podczas wiązania prętów zwracać uwagę na koniec drutu.** W przeciwnym razie może dojść do zahaczenia końca drutu o rękę i obrażeń ciała.
15. **Nie dotykać płytki stykowej podczas wiązania prętów.** Jeśli wystąpi konieczność dotknięcia płytki stykowej, upewnić się, że spust jest zablokowany lub wyłączyć zasilanie i wyjąć akumulator. Mogłoby to doprowadzić do obrażeń ciała.
16. **Po związaniu prętów unieść narzędzie, trzymając je prostopadle w stosunku do prętów.** W przeciwnym razie ramię może zahaczyć o pręty zbrojeniowe, co może doprowadzić do wypadku.
17. **Należy uważać, aby nie upuścić ani nie uderzyć narzędzia.** Jeśli przed użyciem narzędzia zostało ono narażone na upadek z dużej wysokości/silne uderzenie, upewnić się, że nie doszło do uszkodzenia lub pęknięcia narzędzia i sprawdzić, czy urządzenia zabezpieczające pracują w normalny sposób. W przeciwnym razie może dojść do wypadku.
18. **Jeśli wystąpi którekolwiek z poniższych zdarzeń, zablokować spust, wyłączyć przełącznik zasilania i wyjąć akumulator z narzędzia.** Jeśli narzędzie działa nieprawidłowo, może dojść do wypadku.
 - Jeśli od razu po włożeniu akumulatora narzędzie wydaje dźwięki pracy.
 - Jeśli stwierdzono przegrzanie, nietypowy zapach lub dźwięk.
 - W przypadku podejmowania działań po wystąpieniu błędu. (Zlecić naprawę w lokalnym autoryzowanym punkcie serwisowym Makita.)
 - Podczas wkładania lub wyjmowania szpuli drutu.
 - Podczas przemieszczania się w trakcie obsługi narzędzia.
 - Podczas nieużywania narzędzia.
 - Podczas kontroli lub regulacji narzędzia.
 - Podczas wyjmowania zakleszczonego drutu.
19. **Podczas pracy na rusztowaniu należy zawsze upewnić się, że jest ono stabilne i przyjąć pozycję, która zapewni utrzymanie równowagi.** Jeśli rusztowanie jest niestabilne, może dojść do wypadku.
20. **Podczas pracy na dachu lub w podobnych miejscach należy przesuwając się do przodu, tak aby widzieć, gdzie stawia się stopy.** Cofając się, można utracić oparcie dla stóp, co w rezultacie może doprowadzić do wypadku.
21. **Podczas pracy na wysokościach należy upewnić się, że na dole nie przebywają żadne osoby, i uważać, aby nie upuścić narzędzi podczas pracy.** Upuszczenie narzędzia może spowodować wypadek.
22. **Nie używać narzędzia do czynności innej niż wiązanie prętów.** W przeciwnym razie może dojść do wypadku.
23. **Zawsze używać oryginalnych drutów firmy Makita.** Druty mogą zardzewieć, jeśli nie będą używane przez dłuższy czas. Nie używać zardzewiałych drutów. Mogłoby to doprowadzić do wypadku.
24. **Po związaniu prętów sprawdzić, czy drut nie pęknie z powodu zbyt silnego skrócenia.** W przypadku pęknięcia drutu zostanie utracona siła wiązania. Dostosować siłę wiązania i ponownie związać pręty zbrojeniowe.
25. **Umieścić ramię narzędzia tak, aby dokładnie przylegało do prętów zbrojeniowych.** W przeciwnym razie między prętami będzie występowała przerwa, a siła wiązania zostanie obniżona.

Ważne zasady bezpieczeństwa dotyczące akumulatora

1. Przed użyciem akumulatora zapoznać się ze wszystkimi instrukcjami i znakami ostrzegawczymi na (1) ładowarce, (2) akumulatorze i (3) produkcie, w którym będzie używany akumulator.
2. Akumulatora nie wolno rozbierać.
3. Jeśli czas działania uległ znacznemu skróceniu, należy natychmiast przerwać pracę. Może bowiem dojść do przegrzania, ewentualnych poparzeń, a nawet eksplozji.
4. W przypadku przedostania się elektrolitu do oczu, przemyć je czystą wodą i niezwłocznie uzyskać pomoc lekarską. Może on bowiem spowodować utratę wzroku.
5. Nie doprowadzać do zwarcia akumulatora:
 - (1) Nie dotykać styków materiałami przewodzącymi prąd.
 - (2) Unikać przechowywania akumulatora w pojemniku z metalowymi przedmiotami, takimi jak gwoździe, monety itp.
 - (3) Chronić akumulator przed deszczem lub wodą. Zwarcie prowadzi do przepływu prądu elektrycznego o dużym natężeniu i przegrzania akumulatora, co w konsekwencji może grozić poparzeniami a nawet awarią urządzenia.
6. Narzędzia i akumulatora nie wolno przechowywać w miejscach, w których temperatura osiąga bądź przekracza 50°C (122°F).
7. Akumulatorów nie wolno spalać, również tych poważnie uszkodzonych lub całkowicie zużytych. Akumulator może eksplodować w ogniu.
8. Chronić akumulator przed upadkiem i uderzeniami.
9. Nie wolno używać uszkodzonego akumulatora.
10. Stanowiące wyposażenie akumulatory litowo-jonowe podlegają przepisom dotyczącym produktów niebezpiecznych.

Na potrzeby transportu komercyjnego, np. świadczonego przez firmy trzecie czy spedycyjne, należy przestrzegać specjalnych wymagań w zakresie pakowania i oznaczania etykietami. Przygotowanie produktu do wysyłki wymaga skonsultowania się ze specjalistą ds. materiałów niebezpiecznych. Należy także przestrzegać przepisów krajowych, które mogą być bardziej szczegółowe. Zakleić taśmą lub zaślepić otwarte styki akumulatora oraz zabezpieczyć go, aby nie mógł się przesunąć w opakowaniu.
11. Postępować zgodnie z przepisami lokalnymi dotyczącymi usuwania akumulatorów.
12. Używać akumulatorów tylko z produktami określonymi przez firmę Makita. Zastosowanie akumulatorów w niezgodnych produktach może spowodować pożar, przegrzanie, wybuch lub wyciek elektrolitu.

ZACHOWAĆ NINIEJSZE INSTRUKCJE.

▲PRZESTROGA: Używać wyłącznie oryginalnych akumulatorów firmy Makita. Używanie nieoryginalnych akumulatorów firm innych niż Makita lub akumulatorów, które zostały zmodyfikowane, może spowodować wybuch akumulatora i pożar, obrażenia ciała oraz zniszczenie mienia. Stanowi to również naruszenie warunków gwarancji firmy Makita dotyczących narzędzia i ładowarki.

Wskazówki dotyczące zachowania maksymalnej trwałości akumulatora

1. Akumulator należy naładować zanim zostanie do końca rozładowany. Po zauważeniu spadku mocy narzędzia należy przerwać pracę i naładować akumulator.
2. Nie wolno ładować powtórnie w pełni naładowanego akumulatora. Przeladowanie akumulatora skraca jego trwałość.
3. Akumulator należy ładować w temperaturze pokojowej w przedziale 10–40°C (50–104°F). W przypadku gorącego akumulatora przed przystąpieniem do ładowania należy poczekać, aż ostygnie.
4. Akumulatory niklowo-wodorkowe należy naładować po okresie długiego nieużytkowania (dłuższego niż sześć miesięcy).

OPIS DZIAŁANIA

▲PRZESTROGA: Przed przystąpieniem do regulacji lub przeglądu narzędzia upewnić się, że jest ono wyłączone, a akumulator został wyjęty.

Wkładanie i wyjmowanie akumulatora

▲PRZESTROGA: Przed włożeniem lub wyjęciem akumulatora należy zawsze wyłączyć narzędzie.

▲PRZESTROGA: Podczas wkładania lub wyjmowania akumulatora należy mocno trzymać narzędzie i akumulator. W przeciwnym razie mogą się one wyslizgnąć z rąk, powodując uszkodzenie narzędzia lub akumulatora i obrażenia ciała.

► **Rys.1:** 1. Czerwony wskaźnik 2. Przycisk 3. Akumulator

Abym wyjął akumulator, przesuń przycisk znajdujący się w przedniej jego części i wysuń akumulator.

Abym włożyć akumulator, wyrównaj występ na akumulatorze z rowkiem w obudowie i wsuń go na swoje miejsce. Akumulator należy wsunąć do oporu, aż się zatrzaśnie na miejscu, co jest sygnalizowane delikatnym kliknięciem. Jeśli w górnej części przycisku jest widoczny czerwony wskaźnik, akumulator nie został całkowicie zatrzaśnięty.

▲PRZESTROGA: Akumulator należy włożyć do końca, tak aby czerwony wskaźnik nie był widoczny. W przeciwnym razie może przypadkowo wypaść z narzędzia, powodując obrażenia operatora lub osób postronnych.

▲PRZESTROGA: Nie wkładać akumulatora na siłę. Jeśli akumulator nie daje się swobodnie wsunąć, oznacza to, że został włożony nieprawidłowo.

Wskazanie stanu naładowania akumulatora

Tylko w przypadku akumulatorów ze wskaźnikiem

► **Rys.2:** 1. Lampki wskaźnika 2. Przycisk kontrolny

Nacisnąć przycisk kontrolny na akumulatorze w celu wyświetlenia stanu naładowania akumulatora. Lampki wskaźnika zaświecą się przez kilka sekund.

Lampki wskaźnika			Pozostała energia akumulatora
Świeci się	Wyłączony	Miga	
■	□	▧	75–100%
■ ■ ■ ■	□	□	50–75%
■ ■	□ □	□	25–50%
■	□ □ □	□	0–25%
▧	□ □ □ □	□	Naładować akumulator.
■ ■ □ □	□ □	■ ■	Akumulator może nie działać poprawnie.

WSKAZÓWKA: Zależnie od warunków użytkowania i temperatury otoczenia, wskazujący poziom może nieznacznie się różnić od rzeczywistego stanu naładowania akumulatora.

Układ zabezpieczenia narzędzia/akumulatora

Narzędzie jest wyposażone w układ zabezpieczenia narzędzia/akumulatora. Układ automatycznie odcina zasilanie silnika w celu wydłużenia trwałości narzędzia i akumulatora. Narzędzie zostanie automatycznie zatrzymane podczas pracy w następujących sytuacjach związanych z narzędziem lub akumulatorem:

Zabezpieczenie przed przeciążeniem

W przypadku korzystania z akumulatora w sposób powodujący pobór nadmierne wysokiego prądu narzędzie zostanie automatycznie zatrzymane, a na wyświetlaczu będzie wyświetlany odpowiedni numer błędu. W takiej sytuacji należy wyłączyć narzędzie i zaprzestać wykonywania czynności powodującej jego przeciążenie. Następnie należy włączyć narzędzie w celu ponownego uruchomienia.

Zabezpieczenie przed przegrzaniem

W przypadku przegrzania narzędzia lub akumulatora narzędzie zostanie automatycznie zatrzymane, a na wyświetlaczu będzie wyświetlany odpowiedni numer błędu. W takiej sytuacji przed ponownym włączeniem narzędzia należy odczekać, aż narzędzie i akumulator ostygną.

Zabezpieczenie przed nadmiernym rozładowaniem

W przypadku niewystarczającego stopnia naładowania akumulatora narzędzie zostanie automatycznie zatrzymane, a na wyświetlaczu będzie wyświetlany odpowiedni numer błędu. W takiej sytuacji należy wyjąć akumulator z narzędzia i naładować go.

Główny przełącznik zasilania

▲PRZESTROGA: Po włączeniu zasilania nie należy nigdy zbliżać kończyn ani twarzy do wiążących lub obracających się elementów końcówki narzędzia. Mogłoby to doprowadzić do obrażeń ciała.

▲PRZESTROGA: Po włączeniu zasilania nie należy nigdy dotykać wiążących lub obracających się elementów końcówki narzędzia. Mogłoby to doprowadzić do obrażeń ciała.

▲PRZESTROGA: Przed włożeniem akumulatora należy upewnić się, że palce nie są trzymane na spuście przełącznika, i zablokować spust. Włożenie akumulatora w momencie, gdy naciśnięty jest spust przełącznika, może doprowadzić do wypadku, jeśli przypadkowo zostanie zainicjowane wążowanie.

► **Rys.3**

Po naciśnięciu przycisku zasilania zostanie włączone zasilanie i zapali się kontrolka trybu wiązania. Urządzenie będzie działać przez chwilę, aby wyregulować początkowe położenie. Po wyregulowaniu położenia narzędzie automatycznie przestanie działać. Po ponownym naciśnięciu przycisku zasilania zostanie wyłączone zasilanie i zgaśnie kontrolka trybu wiązania.

► **Rys.4:** 1. Kontrolka trybu wiązania 2. Przycisk zasilania

WSKAZÓWKA: Narzędzie jest wyposażone w funkcję automatycznego wyłączenia. Jeśli spust przełącznika nie zostanie pociągnięty w ciągu 10 minut, narzędzie zostanie automatycznie wyłączone, aby zmniejszyć zużycie energii akumulatora.

WSKAZÓWKA: Aby ponownie uruchomić narzędzie, ponownie włączyć zasilanie.


Przycisk przełączania trybu

Gdy włączone jest zasilanie i świeci się kontrolka trybu wiązania, można wybrać tryb pojedynczego wiązania lub tryb ciągłego wiązania, używając przycisku przełączania trybu. Po ponownym włączeniu zasilania narzędzie zostanie uruchomione w ostatnio wybranym trybie.

► **Rys.5:** 1. Przycisk przełączania trybu 2. Tryb pojedynczego wiązania 3. Tryb ciągłego wiązania

Działanie przełącznika

▲OSTRZEŻENIE: Przed włożeniem akumulatora do narzędzia należy zawsze sprawdzić, czy spust przełącznika działa prawidłowo i czy powraca do położenia wyłączenia po jego zwolnieniu.

▲PRZESTROGA: Jeżeli narzędzie nie będzie używane, należy wcisnąć przycisk blokady spustu od strony , aby zablokować spust przełącznika w pozycji wyłączenia.

► **Rys.6:** 1. Spust przełącznika 2. Przycisk blokady spustu

Narzędzie zostało wyposażone w przycisk blokady spustu, który zapobiega przypadkowemu pociągnięciu za spust przełącznika. Aby uruchomić narzędzie, należy wcisnąć przycisk blokady spustu od strony A i pociągnąć spust przełącznika. W celu zatrzymania urządzenia wystarczy zwolnić spust przełącznika. Po pracy należy wcisnąć przycisk blokady spustu od strony B.

Po pociągnięciu za przełącznik spustu narzędzie wykonuje sekwencję kolejnych operacji w następującej kolejności, a następnie zatrzymuje się automatycznie.

1. Podanie drutu.
2. Odcięcie drutu.
3. Przytrzymanie i skręcenie drutu przez hak.
4. Powrót haka do pierwotnego położenia.

Ustawienie siły wiązania

▲PRZESTROGA: Przed rozpoczęciem regulacji należy upewnić się, że spust został zablokowany. Po włączeniu zasilania nie należy nigdy zbliżać kończyn ani twarzy do wiążących lub obracających się elementów końcówki narzędzia. Mogłoby to doprowadzić do obrażeń ciała.

► **Rys.7**

Siłę wiązania można ustawić, używając przycisku do dostosowania siły wiązania. Wartość siły wiązania jest wyświetlana na wyświetlaczu.

► **Rys.8:** 1. Przycisk do dostosowywania siły wiązania 2. Wyświetlacz

Jeśli drut pęknie, zostanie utracona siła wiązania. Po związaniu prętych sprawdzić, czy skręcony fragment drutu nie pękł.

Jeśli drut jest pęknięty, dostosować siłę wiązania, używając przycisku do dostosowywania siły wiązania, a następnie ponownie związać pręty zbrojeniowe.

Powiadomienie o stanie naładowania akumulatora

Gdy napięcie akumulatora spadnie poniżej wymaganego poziomu, narzędzie przestanie działać, zostanie wyemitowany sygnał powiadamiający o błędzie, a na wyświetlaczu zostanie wyświetlona cyfra „4”. Sygnał powiadamiający o błędzie będzie emitowany, dopóki nie zostanie wyłączone zasilanie.

WSKAZÓWKA: Jeśli temperatura otoczenia będzie bardzo niska, sygnał powiadamiający o błędzie może zostać wyemitowany, nawet gdy w akumulatorze będzie wystarczająca ilość energii.

MONTAŻ

▲PRZESTROGA: Przed przystąpieniem do prac konserwacyjnych przy narzędziu upewnić się, że jest ono wyłączone, a akumulator został wyjęty.

Wkładanie drutu wiązałkowego (szpuli drutu)

▲PRZESTROGA: Przed włożeniem lub wyłożeniem drutów wiązałkowych i akcesoriów, należy upewnić się, że wyłączone zasilanie, zablokowano spust i wyjęto akumulator. W przeciwnym razie może dojść do wypadku.

UWAGA: Użycie drutów innych niż oryginalne druty wiązałkowe firmy Makita (druty wyżarzane) może spowodować awarię narzędzia.

1. Wcisnąć dźwignię zwalniającą i zablokować ją dźwignią blokady.
► **Rys.9:** 1. Dźwignia zwalniająca 2. Dźwignia blokady

Po wciśnięciu dźwigni zwalniającej między lewą a prawą przekładnią podającą powstanie przerwa.

► **Rys.10:** 1. Dźwignia zwalniająca 2. Dźwignia blokady 3. Przekładnie podające

2. Zderzyć taśmę, która przytrzymuje drut, a następnie wyciągnąć końcówkę drutu.

► **Rys.11:** 1. Taśma 2. Końcówka drutu

3. Otworzyć pokrywę szpuli.

► **Rys.12:** 1. Pokrywa szpuli

4. Włożyć szpulę drutu do narzędzia w sposób przedstawiony na rysunku.

► **Rys.13:** 1. Szpula drutu

UWAGA: Upewnić się, że szpula drutu jest umieszczona w narzędziu w sposób przedstawiony na rysunku. Jeśli zostanie włożona odwrotnie, drut zostanie zwolniony i może się skrócić.

5. Wyprostować końcówkę drutu i przewlec ją przez prowadnicę.

► **Rys.14:** 1. Prowadnica

WSKAZÓWKA: Jeśli końcówka drutu zagnie się w trakcie przewlekania jej przez prowadnicę, drut może zakleszczyć się w narzędziu.

WSKAZÓWKA: Drut może zakleszczyć się w narzędziu, jeśli będzie przewlekany przez prowadnicę na siłę.

6. Wyciągnąć około 10 mm drutu z końcówki ramienia.

► **Rys.15:** 1. Ramię 2. Około 10 mm

UWAGA: Jeśli nie zostanie wyciągnięta wystarczająca ilość drutu, drut może pęknąć podczas związania lub z powodu niewystarczającego zwinięcia drutu może zostać obniżona siła wiązania.

7. Usunąć całą taśmę, która przytrzymuje drut.

► **Rys.16**

8. Nawinać drut, aby usunąć wszelkie poluzowania.

► Rys.17

9. Zwolnić dźwignię blokady. Dźwignia wróci do pierwotnej pozycji, a drut będzie przytrzymywany przez lewą i prawą przekładnię podającą.

► Rys.18: 1. Dźwignia zwalnająca 2. Dźwignia blokady

► Rys.19: 1. Przekładnia podająca 2. Ścieżka drutu 3. Drut

UWAGA: Gdy dźwignia blokady zostanie zwolniona, a lewe i prawe przekładnie podające będą się ze sobą zazębiać, między ząbkami przekładni powstanie szczelina. Szczeliną tą będzie przechodził drut. Upewnij się, że drut przechodzi przez tę szczelinę.

10. Zamknąć pokrywę szpuli.

► Rys.20: 1. Pokrywa szpuli

OBSŁUGA

Kontrola przed rozpoczęciem pracy

⚠ PRZESTROGA: Nie używać narzędzia, jeśli wystąpił problem związany z mechanizmem zabezpieczającym. Używanie takiego narzędzia mogłoby doprowadzić do wypadku.

Przed użyciem narzędzia upewnij się, że mechanizm zabezpieczający działa prawidłowo. Jeśli narzędzie jest włączone, a mechanizm zabezpieczający nie działa, należy niezwłocznie zaprzestać używania narzędzia. Zlecić naprawę w lokalnym autoryzowanym punkcie serwisowym Makita.

Kontrola blokady spustu

Narzędzie jest wyposażone w blokadę spustu, która zabezpiecza przed przypadkowym uruchomieniem narzędzia. Zablokować spust i upewnić się, że nie można pociągnąć za spust przełącznika.

Kontrola prowadnicy skręcającej

Jeśli prowadnica skręcająca jest otwarta, nie można uruchomić narzędzia, nawet pociągając za spust przełącznika, aby uniemożliwić przypadkowe dotknięcie wiążących lub obracających się elementów końcówki narzędzia. Po zwolnieniu spustu przełącznika i zamknięciu prowadnicy skręcającej można rozpocząć pracę.

► Rys.21: 1. Prowadnica skręcająca

Kontrola wykrywania otwarcia/zamknięcia prowadnicy skręcającej

Wyciągnąć drut wiążalkowy, sprawdzić, czy narzędzie działa prawidłowo, wykonując poniższe kroki, i upewnić się, że narzędzie nie rozpocznie pracy, gdy prowadnica skręcająca będzie otwarta.

1. Wylączyć zasilanie i nie zamykać prowadnicy skręcającej.

2. Włączyć zasilanie.

Stan narzędzia jest prawidłowy, jeśli narzędzie nie rozpocznie pracy, a na wyświetlaczu zostanie wyświetlona cyfra „2”. Wylączyć zasilanie i zamknąć prowadnicę skręcającą.

Stan narzędzia jest nieprawidłowy, jeśli narzędzie rozpocznie pracę, a na wyświetlaczu nie będzie wyświetlana informacja o błędzie. Niezwłocznie zaprzestać użytkowania narzędzia i zlecić naprawę w lokalnym autoryzowanym punkcie serwisowym firmy Makita.

⚠ PRZESTROGA: Podczas otwierania prowadnicy skręcającej i włączania zasilania w celu wykonania kontroli blokady należy trzymać prowadnicę skręcającą w sposób przedstawiony na rysunku. Nie należy nigdy zbliżać kończyn ani twarzy do wiążących lub obracających się elementów końcówki narzędzia. Mogłoby to doprowadzić do obrażeń ciała.

► Rys.22

Łączenie prętów

⚠ PRZESTROGA: Przed włożeniem akumulatora należy upewnić się, że palce nie są trzymane na spust przełącznika, i zablokować spust. Włożenie akumulatora w momencie, gdy naciśnięty jest spust przełącznika, może doprowadzić do wypadku, jeśli przypadkowo zostanie zainicjowane wiązanie.

⚠ PRZESTROGA: Po włączeniu zasilania nie należy nigdy zbliżać kończyn ani twarzy do wiążących lub obracających się elementów końcówki narzędzia. Mogłoby to doprowadzić do obrażeń ciała.

⚠ PRZESTROGA: Po włączeniu zasilania nie należy nigdy dotykać wiążących lub obracających się elementów końcówki narzędzia. Mogłoby to doprowadzić do obrażeń ciała.

► Rys.23

Przygotowanie przed rozpoczęciem pracy

1. Upewnij się, że w narzędziu nie ma akumulatora, a spust jest zablokowany.

2. Włóż akumulator do narzędzia i włącz zasilanie. Drut zostanie automatycznie odcięty po włączeniu zasilania.

UWAGA: Upewnij się, że kontrolka trybu wiązania świeci się, gdy włączone jest zasilanie. Jeśli kontrolka nie świeci się, naładować akumulator.

3. Zwolnić blokadę spustu.

► Rys.24: 1. Przycisk blokady spustu 2. Spust przełącznika 3. Przycisk zasilania 4. Kontrolka trybu wiązania

Tryb pojedynczego wiązania

1. Dokładnie przycisnąć ramię do punktu wiązania. Przycisnąć narzędzie do prętów zbrojeniowych, trzymając je prostopadłe do prętów, a następnie przycisnąć ramię do punktu, w którym pręty zbrojeniowe są skrzyżowane pod kątem 45 stopni.

► **Rys.25**

2. Pociągnąć raz spust przełącznika.

3. Druć zostanie automatycznie podany i odcięty.

4. Hak przytrzyma i skróci drut, a następnie, po wykonaniu wiązania, wróci do pierwotnej pozycji.

► **Rys.26**

5. Po wykonaniu wiązania należy uważać, aby nie zahaczyć ramieniem narzędzia o pręty zbrojeniowe, podnosząc narzędzie.

▲PRZESTROGA: Jeśli drut zaczepił się o część wiążącą końcówki narzędzia, wyłączyć zasilanie. Zablokować spust, wyciągnąć akumulator, a następnie wyjąć drut, używając narzędzi, takich jak szczypce lub kombinerki.

► **Rys.27**

Tryb ciągłego wiązania

1. Przełączyć narzędzie w tryb pojedynczego wiązania w tryb ciągłego wiązania, używając przycisku przełączania trybu.

► **Rys.28:** 1. Przycisk przełączania trybu

2. Zwolnić blokadę spustu.

3. Naciskając spust przełącznika, przycisnąć narzędzie do prętów zbrojeniowych, trzymając je prostopadłe do prętów, a następnie przycisnąć ramię do punktu, w którym pręty zbrojeniowe są skrzyżowane pod kątem 45 stopni. Mocno przycisnąć płytkę stykową do punktu wiązania. Zostanie wykonane wiązanie.

► **Rys.29:** 1. Płytkę stykową

4. Po wykonaniu wiązania należy uważać, aby nie zahaczyć ramieniem narzędzia o pręty zbrojeniowe, podnosząc narzędzie.

► **Rys.30**

Środki ostrożności, których należy przestrzegać podczas pracy

- Jeśli ramię zostanie przesunięte podczas wykonywania wiązania, drut utknie w haku, co może spowodować wykonanie nieprawidłowego wiązania.
- Docisnąć narzędzie do prętów zbrojeniowych do momentu wykonania wiązania.
- Nie przechodzić do kolejnego punktu wiązania do momentu ukończenia bieżącego wiązania.
- Podczas wykonywania wiązania obracający się element końcówki narzędzia (hak) skręca drut. Trzymać narzędzie pewnym chwytem, aby narzędzie nie pociągnęło ciała.
- Nie dotykać drutu podczas wiązania prętów.
- Podczas wykonywania kolejnych wiązań w trybie pojedynczego wiązania całkowicie zwolnić spust przełącznika. Następnie ponownie pociągnąć spust przełącznika.
- Jeśli spust przełącznika zostanie pociągnięty, a skończył się drut wiązałkowy, zostanie wyświetlony błąd. Włożyć nowy drut wiązałkowy i ponownie uruchomić narzędzie.

Wskazówki dotyczące wykonywania wiązania

- Pochylić narzędzie pod kątem 45° w stosunku do skrzyżowanych prętów zbrojeniowych i wykonywać wiązania naprzemiennie, tak jak to przedstawiono na rysunku.

► **Rys.31**

- Unikać zgrubiałych odcinków prętów zbrojeniowych.

► **Rys.32**

- Jeśli wiązanie nie jest wystarczająco silne, zmienić orientację wykonywania wiązania i wykonać wiązanie dwa razy, aby je wzmocnić.

► **Rys.33**

UWAGA: Jeśli konieczne jest drugie wiązanie, przed jego wykonaniem zagiąć końcówkę pierwszego wiązania. W przeciwnym razie drut może zostać odepchnięty podczas wykonywania drugiego wiązania. Drut może zaczepić się o końcówkę narzędzia, co może spowodować uszkodzenie haka.

Wymiana drutu wiązałkowego

▲PRZESTROGA: Przed wymianą drutu należy upewnić się, że zasilanie jest wyłączone, zablokować spust i wyjąć akumulator. W przeciwnym razie może dojść do wypadku.

1. Po zużyciu całego drutu zostanie wyemitowany sygnał powiadamiający o błędzie, a na wyświetlaczu zostanie wyświetlony błąd „1”.

2. Zablokować spust, wyłączyć zasilanie i wyjąć akumulator.

3. Wcisnąć dźwignię zwalniającą i zablokować ją dźwignią blokady.

► **Rys.34:** 1. Dźwignia zwalniająca 2. Dźwignia blokady

4. Wyjąć szpulę drutu z narzędzia.

WSKAZÓWKA: Jeśli drut był zużywany w normalny sposób, na szpuli powinno zostać około 20 cm drutu. W takim przypadku należy wymienić szpulę drutu na nową.

Jeśli szpula drutu nie chce wyjść z narzędzia, wykonać poniższe czynności.

1. Włożyć akumulator do narzędzia i włączyć zasilanie. Narzędzie automatycznie poda i obetnie drut.

2. Zablokować spust, wyłączyć zasilanie i wyjąć akumulator.

3. Wyjąć ucięty drut, używając narzędzi, takich jak szczypce lub kombinerki.

KONSERWACJA

⚠ PRZESTROGA: Przed przystąpieniem do przeglądu narzędzia lub jego konserwacji upewnić się, że jest ono wyłączone, a akumulator wyjęty.

UWAGA: Nie stosować benzyny, rozpuszczalników, alkoholu itp. środków. Mogą one powodować odbarwienia, odkształcenia lub pęknięcia.

W celu zachowania odpowiedniego poziomu BEZPIECZEŃSTWA i NIEZAWODNOŚCI produktu wszelkie naprawy i różnego rodzaju prace konserwacyjne lub regulacje powinny być przeprowadzane przez autoryzowany lub fabryczny punkt serwisowy narzędzi Makita, zawsze z użyciem oryginalnych części zamiennych Makita.

Przechowywanie klucza imbusowego

Przechowywać klucz imbusowy w położeniu przedstawionym na rysunku.

► **Rys.35:** 1. Klucz imbusowy

Czyszczenie obcinaka

Gdy narzędzie jest używane przez dłuższy czas, do sektora obcinaka może przyłgnąć kurz i opiłki drutu. W takim przypadku należy zdemontować i wyczyścić obcinak zgodnie z poniższą procedurą.

Poniższą procedurę można również wykonać w celu wyciągnięcia drutu, który utknął w zespole obcinaka.

Demontaż i czyszczenie

1. Odkręcić śrubę A i B, używając klucza imbusowego dołączonego do zestawu narzędzia.

► **Rys.36:** 1. Śruba A 2. Śruba B 3. Pokrywa płytki stykowej 4. Prowadnica drutu B

UWAGA: Nie odkręcać na siłę śrub, których nie można odkręcić kluczem imbusowym.

2. Pociągnąć pokrywę płytki stykowej w kierunku wskazanym przez strzałkę i zdjąć ją. W tym samym momencie zostanie wyjęta śruba B.

► **Rys.37:** 1. Pokrywa płytki stykowej 2. Śruba B

3. Wyjąć śrubę A i prowadnicę drutu B.

► **Rys.38:** 1. Śruba A 2. Prowadnica drutu B

4. Odwrócić prowadnicę drutu B i wyczyścić jej wnętrze.

► **Rys.39**

5. Wyjąć obcinak A, obcinak B, płytkę górną i ramię łącznika A z płytki ramienia A, a następnie je wyczyścić.

► **Rys.40:** 1. Obcinak B 2. Ramię łącznika A
3. Obcinak A 4. Płytkę ramienia A 5. Płytkę górną

Montaż

Zmontować wyczyszczone części zgodnie z poniższą procedurą.

1. Zamontować obcinak A i ramię łącznika A, tak aby pasowały do kształtu płytki ramienia A.

► **Rys.41:** 1. Obcinak A 2. Ramię łącznika A 3. Płytkę ramienia A

2. Zamontować obcinak B i płytkę górną na płytce ramienia A.

(Zamontować obcinak B na obcinaku A i ramieniu łącznika A).

► **Rys.42:** 1. Obcinak B 2. Płytkę górną 3. Płytkę ramienia A 4. Obcinak A 5. Ramię łącznika A

UWAGA: Obrócić obcinak B wystającymi elementami do dołu i zamontować go w sposób przedstawiony na rysunku.

3. Wyrównać drążek narzędzia z rowkiem wewnątrz prowadnicy drutu B, a następnie je zmontować.

► **Rys.43:** 1. Drążek 2. Rowek 3. Prowadnica drutu B

4. Przymocować prowadnicę drutu B, tymczasowo dokręcając śrubę A.

► **Rys.44:** 1. Śruba A 2. Prowadnica drutu B

5. Zamontować pokrywę płytki stykowej w kierunku wskazanym przez strzałkę.

► **Rys.45:** 1. Pokrywa płytki stykowej

6. Przymocować prowadnicę drutu B i pokrywę płytki stykowej mocno dokręcając śrubę A i B.

► **Rys.46:** 1. Prowadnica drutu B 2. Pokrywa płytki stykowej 3. Śruba A 4. Śruba B

7. Po zmontowaniu upewnić się, że płytka stykowa może się poruszać w kierunku przedstawionym na rysunku.

► **Rys.47:** 1. Płytkę stykową

WSKAZÓWKAWKA: Jeśli płytka stykowa jest zablokowana, przycisnąć ją w sposób przedstawiony na rysunku.

► **Rys.48**

Błędy zgłaszane na wyświetlaczu i sygnały powiadamiające o błędach

⚠ PRZESTROGA: Przed przystąpieniem do przeglądu należy zablokować spust, wyłączyć zasilanie i wyjąć akumulator. W przeciwnym razie może dojść do wypadku.

⚠ PRZESTROGA: Po włączeniu zasilania nie należy nigdy zbliżać kończyn ani twarzy do wiążących lub obracających się elementów końcówki narzędzia. Mogłoby to doprowadzić do obrażeń ciała.

⚠ PRZESTROGA: Po włączeniu zasilania nie należy nigdy dotykać wiążących lub obracających się elementów końcówki narzędzia. Mogłoby to doprowadzić do obrażeń ciała.

⚠ PRZESTROGA: Jeśli emitowany jest sygnał powiadamiający o błędzie lub jeśli narzędzie działa nieprawidłowo, należy niezwłocznie zaprzestać używania narzędzia.

Sygnały powiadamiające o błędach i błędy na wyświetlaczu

Jeśli wystąpi błąd, zostanie wyemitowany sygnał powiadamiający o błędzie, a na wyświetlaczu będzie wyświetlany numer błędu. Odszukać błąd w poniższej tabeli i podjąć odpowiednie działania. Jeśli błąd będzie się utrzymywać, zwrócić się do autoryzowanego serwisu firmy Makita w celu naprawy.

Cyfra wyświetlana na wyświetlaczu	Objaw	Możliwa przyczyna	Rozwiązanie
1	Narzędzie przestało działać.	Skończył się drut.	Włożyć nowy drut wiążakowy.
		Nie włożono drutu wiążakowego.	Włożyć drut wiążakowy.
		Błąd podawania drutu.	Sprawdzić orientację drutu wiążakowego. Wyjąć drut wiążakowy i włożyć go ponownie. Usunąć przeszkody ze ścieżki drutu.
2	Narzędzie przestało działać.	Prowadnica skręcająca jest otwarta.	Zamknąć prowadnicę skręcającą.
3	Narzędzie nie wykonuje wiązań w trybie ciągłego wiązania.	Płytką stykową jest zablokowana.	Odblokować płytkę stykową.
4	Narzędzie nie uruchamia się. Narzędzie przestało działać.	Akumulator jest rozładowany. Temperatura akumulatora jest zbyt wysoka.	Naładować akumulator. Ochłodzić akumulator. Wymienić akumulator na w pełni naładowany.
5	Narzędzie przestało działać.	Wystąpiło przeciążenie silnika.	Określić przeszkodę utrudniającą obrót silnika i rozwiązać problem.
		Usterka silnika	
6	Narzędzie przestało działać.	Temperatura narzędzia jest zbyt wysoka.	Ochłodzić narzędzie.
7	Narzędzie nie uruchamia się. Narzędzie przestało działać.	Awaria narzędzia	Zwrócić się do autoryzowanego centrum serwisowego Makita w celu naprawy.

AKCESORIA OPCJONALNE

⚠ PRZESTROGA: Zaleca się stosowanie wymiennych akcesoriów i przystawek razem z narzędziem Makita opisanym w niniejszej instrukcji. Stosowanie innych akcesoriów lub przystawek może być przyczyną obrażeń ciała. Akcesoria lub przystawki należy wykorzystywać tylko zgodnie z ich przeznaczeniem.

W razie potrzeby wszelkiej pomocy i szczegółowych informacji na temat niniejszych akcesoriów udziela Państwu lokalne punkty serwisowe Makita.

- Drut wiążakowy
- Oryginalny akumulator i ładowarka firmy Makita

WSKAZÓWKA: Niektóre pozycje znajdujące się na liście mogą być dołączone do pakietu narzędziowego jako akcesoria standardowe. Mogą to być różne pozycje, w zależności od kraju.

RÉSZLETES LEÍRÁS

Típus:	DTR180
Kötözőhuzal (opcionális tartozék)	ø0,8 mm
Kötözhető betonacél átmérője	#3 x #3 -tól (#4 x 2) x (#4 x 2) -ig 10 mm x 10 mm -tól (13 mm x 2) x (13 mm x 2) -ig
Kötözések körülbelüli száma tekercsenként	Körülbelül 120 kötözés
Teljes hossz	304 mm
Névleges feszültség	14,4/18 V, egyenáram
Nettó tömeg	2,3 - 2,6 kg

- Folyamatos kutató- és fejlesztőprogramunk eredményeként az itt felsorolt tulajdonságok figyelmeztetés nélkül megváltozhatnak.
- A műszaki adatok és az akkumulátor országoként változhatnak.
- A súly a felszerelt tartozékoktól függően változhat, az akkumulátort is beleértve. Az EPTA 01/2014 eljárás szerint meghatározott legnehezebb, illetve legkönnyebb kombináció a táblázatban látható.

Alkalmazható akkumulátorok és töltők

Akkumulátor	14,4 V-os egyenáramú típus	BL1415N / BL1430 / BL1430B / BL1440 / BL1450 / BL1460B
	18 V-os egyenáramú típus	BL1815N / BL1820 / BL1820B / BL1830 / BL1830B / BL1840 / BL1840B / BL1850 / BL1850B / BL1860B
Töltő		DC18RC / DC18RD / DC18RE / DC18SD / DC18SE / DC18SF

- Lakóhelyétől függően előfordulhat, hogy a fent felsorolt akkumulátorok és töltők nem érhetők el.

▲ FIGYELMEZTETÉS: Csak a fentiekben felsorolt akkumulátorokat és töltőket használja. Bármilyen más akkumulátor vagy töltő használata sérüléseket és/vagy tüzet okozhat.

Kötözhető betonacélok kombinációja

2 betonacél kombinációja

	#3 (10 mm)	#4 (13 mm)	#5 (16 mm)
#3 (10 mm)	✓	✓	✓
#4 (13 mm)	✓	✓	✓
#5 (16 mm)	✓	✓	✓

3 betonacél kombinációja

	#3 x #3 (10 mm x 10 mm)	#4 x #4 (13 mm x 13 mm)
#3 (10 mm)	✓	✓
#4 (13 mm)	✓	✓
#5 (16 mm)	✓	-

4 betonacél kombinációja

	#3 x #3 (10 mm x 10 mm)	#4 x #4 (13 mm x 13 mm)
#3 x #3 (10 mm x 10 mm)	✓	✓
#4 x #4 (13 mm x 13 mm)	✓	✓

MEGJEGYZÉS: Ha rés van a betonacélrudak között vagy a szerszámot helytelen irányban használják, lehet, hogy nem sikerül összekötözni a betonacélt.

Szimbólumok

A következőkben a berendezésen használt jelképek láthatók. A szerszám használata előtt bizonyosodjon meg arról hogy helyesen értelmezi a jelentésüket.



Olvassa el a használati utasítást.



Viseljen védőszemüveget.



Ne tegye ki a terméket esőnek.



A szerszám használatakor tartsa távol a kezét a huzaltekerestől és a huzaltól.



Tartsa távol a kezét a szerszám hegyétől.



Ni-MH
Li-Ion

Csak EU-tagállamok számára
Az elektromos berendezéseket és akkumulátorukat ne dobja a háztartási szemétkébe!
Az Európai Unió használt elektromos és elektronikus berendezésekre vonatkozó irányelvei, illetve az elemekről és akkumulátorokról, valamint a hulladékelemekről és akkumulátorokról szóló irányelv, továbbá azoknak a nemzeti jogba való átültetése szerint az elhasznált elektromos berendezéseket, elemeket és akkumulátorokat külön kell gyűjteni, és környezetbarát módon kell gondoskodni újrahasznosításukról.

Rendeltetés

A szerszám betonacél kötözésére szolgál.

Zaj

A tipikus A-súlyozású zajszint, a EN60745-2-18 (EN12549) szerint meghatározva:
Hangnyomásszint (L_{pA}): 78 dB(A)
Bizonytalanság (K): 3 dB(A)

A zajszint a munkavégzés során meghaladhatja a 80 dB (A) értéket.

▲FIGYELMEZTETÉS: Viseljen fülvédőt!

Vibráció

A vibráció teljes értéke (háromtengelyű vektorösszeg) az EN60745-2-18 (ISO8662-11) szerint meghatározva:
Üzem mód: Kötözőrúd
Rezgéskibocsátás (a_h): 2,5 m/s² vagy kisebb
Bizonytalanság (K): 1,5 m/s²

MEGJEGYZÉS: A rezgéskibocsátás értéke a szabványos vizsgálati eljárásnak megfelelően lett mérve, és segítségével az elektromos kéziszerszámok összehasonlíthatók egymással.

MEGJEGYZÉS: A rezgéskibocsátás értékének segítségével előzetesen megbecsülhető a rezgésnek való kitettség mértéke.

▲FIGYELMEZTETÉS: A szerszám rezgéskibocsátása egy adott alkalmazásnál eltérhet a megadott értéktől a használat módjától függően.

▲FIGYELMEZTETÉS: Határozza meg a kezelő védelmét szolgáló munkavédelmi lépéseket, melyek az adott munkafeltételek melletti vibrációs hatás becsült mértékén alapulnak (figyelembe véve a munkaciklus elemeit, mint például a gép leállításának és üresjáratának mennyiségét az elindítások száma mellett).

EK Megfelelőségi nyilatkozat

Csak európai országokra vonatkozóan

Az EK-megfelelőségi nyilatkozat az útmutató „A” mellékletében található.

BIZTONSÁGI FIGYELMEZTETÉS

A szerszámgépekre vonatkozó általános biztonsági figyelmeztetések

▲FIGYELMEZTETÉS: Olvassa el a szerszámgéphez mellékelt összes biztonsági figyelmeztetést, utasítást, illusztrációt és a műszaki adatokat. A következőkben leírt utasítások figyelmen kívül hagyása elektromos áramütést, tüzet és/vagy súlyos sérülést eredményezhet.

Őrizzen meg minden figyelmeztetést és utasítást a későbbi tájékozódás érdekében.

A figyelmeztetésekben szereplő "szerszámgép" kifejezés az Ön hálózatról (vezetékes) vagy akkumulátorról (vezeték nélküli) működtetett szerszámgépére vonatkozik.

Akkumulátoros betonacél-kötöző szerszám – biztonsági figyelmeztetések

1. **Soha ne irányítsa a szerszámot egy személy felé. Soha ne tegye a kezét vagy lábát közel a szerszám hegyéhez.** Ha véletlenül működésbe hozza a szerszámot, mikor megérint valakit, az váratlan balesethez vezethet.
2. **Ne tegyen be huzalt, amikor a szerszám be van kapcsolva.** Más különben beleakadhat a huzalba, és megsérülhet.

3. Ne használja a szerszámot a tekercsfedél bezárása nélkül. Máskülönben a huzaltekercs kieshet, és balesetet okozhat.
4. A munka megkezdése előtt ellenőrizze, hogy a kötendő betonacél átmérője a szerszám kapacitásán belül van.
5. Olyan ruhát viseljen, amelynek nem bő a korca vagy az ujjja. Ne dolgozzon úgy, hogy törölközőt vagy más teker a nyaka köré. Máskülönben beleakadhatnak a forgó részekbe, és balesetet okozhatnak.
6. Győződjön meg róla, hogy a szerszám használat előtt megvizsgálta a következő pontokat.
 - Ellenőrizze, hogy egyik rész sem sérült
 - Ellenőrizze, hogy egyik fejescsavar sem lazult ki
 - Ellenőrizze, hogy a biztonsági eszközök normálisan működnek
7. Ha bármi rendelleneset talál, azonnal hagyja abba a szerszám használatát. Ne javítsa meg a szerszámot egyedül. Javításért forduljon a helyi Makita szervizközpontoz. Ha a szerszámot nem teljesen összeszerelt állapotban használja, baleset következhet be.
8. Az akkumulátor behelyezésekor győződjön meg róla, hogy lezárta a kapcsolót, és ne tegye az újjat a kapcsolóra. A helytelen kezelés balesetet okozhat.
9. Betonacélrudak kötésekor vigyázzon, hogy ne mozdítsa meg azokat. Ha a betonacélrudak a kötés miatt elmozdulnak, megsérülhet.
10. Ne érjen a huzalokhoz a huzalkötözési folyamat során. Máskülönben beleakadhat a huzalba, és megsérülhet.
11. A huzalkötözési folyamat során ne vigye a kezét a kötözési ponthoz közel. Máskülönben beleakadhat a huzalba, és megsérülhet.
12. A huzalkötözési folyamat során tartsa erősen a szerszám nyelét. Máskülönben kicsavarhatja a csuklóját vagy elhúzhatja a testét, ami sérülést okozhat.
13. Ne menjen át a következő kötözési pontra, amíg a jelenlegi huzalkötözési folyamat be nem fejeződik. Máskülönben megsérülhet.
14. A huzalkötözési folyamat során figyeljen a huzal végére. Máskülönben a keze beleakadhat a huzal végébe, és megsérülhet.
15. Ne érjen a kontaktlemmezhez a huzalkötözési folyamat során. Ha hozzá kell érnie a kontaktlemmezhez, zárja le a kapcsolót vagy kapcsolja ki a szerszámot, és távolítsa el az akkumulátort. Máskülönben megsérülhet.
16. A huzalkötözési folyamat befejezésekor függetlenül húzza fel a szerszámot. Máskülönben a karja beakadhat a betonacélrudakba, és az balesetet okozhat.
17. Vigyázzon, nehogy leejtse, meglökje vagy megüsse a szerszámot. Ha a szerszámot erős behatás éri használat előtt, ellenőrizze, hogy a szerszám nem sérült vagy repedt, és hogy a biztonsági eszközök normálisan működnek. Máskülönben baleset következhet be.
18. Ha az alábbi jelenségek közül bármelyik előfordul, zárja le a kapcsolót, kapcsolja ki a szerszámot, és távolítsa el az akkumulátort. Ha a szerszám nem megfelelően működik, baleset következhet be.
 - Ha működési zaj hallatszlik, amint az akkumulátort behelyezte.
 - Ha túlmelegedést, rendellenes szagokat vagy zajokat észlel.
 - Amikor intézkedéseket tesz válaszként a hiba kijelzésére. (Javításért forduljon a helyi Makita szervizközpontoz.)
 - Amikor huzaltekercset tesz be vagy vesz ki.
 - Amikor munka közben a szerszámot tartva mozog.
 - Amikor nem használja a szerszámot.
 - Amikor vizsgálja vagy beállítja a szerszámot.
 - Amikor eltávolít egy beakadt huzalt.
19. Ha állványon dolgozik, mindig rögzítse azt, és olyan testtartással dolgozzon, amely biztosítja az egyensúlyja megőrzését. Ha az állvány instabil, baleset következhet be.
20. Ha tétőn vagy hasonló helyen dolgozik, előre mozogjon munka közben, hogy lássa, merre megy. Ha munka közben hátrafelé mozog, elveszítheti az egyensúlyát, és balesetet okozhat.
21. Ha nagyon magas helyen dolgozik, gondoskodjon róla, hogy senki ne legyen ön alatt, és figyeljen arra, hogy ne ejtsen le semmilyen szerszámot. A szerszám elejtése balesetet okozhat.
22. Ne használja a szerszámot a huzalkötözésen kívül más munkára is. Máskülönben baleset következhet be.
23. Mindig eredeti Makita huzalokat használjon. Ha a huzalokat hosszú ideig nem használja, berozsásodhatnak. Soha ne használjon rozsdás huzalt. Máskülönben balesetet okozhatnak.
24. A kötözés után ellenőrizze a huzalokat, nem törtek-e meg a túlzott csavarástól. Ha van törött huzal, a kötés elveszíti erősségét. Állítsa be a kötözés erősségét, és kötözze újra a betonacélrudakat.
25. Biztonságosan helyezze a kart a betonacélrudakra. Ha nincs biztonságosan ráhelyezve, hézag keletkezik a betonacélrudak között, és a kötözés erőssége nem lesz megfelelő.

Fontos biztonsági utasítások az akkumulátorra vonatkozóan

1. Az akkumulátor használat előtt tanulmányozza át az akkumulátortöltőn (1), az akkumulátoron (2) és az akkumulátorral működtetett terméken (3) olvasható összes utasítást és figyelmeztető jelzést.
2. Ne szerelje szét az akkumulátort.
3. Ha a működési idő nagyon lerövidült, azonnal hagyja abba a használatot. Ez a túlmelegedés, esetleges égések és akár robbanás veszélyével is járhat.
4. Ha elektrolit kerül a szemébe, mossa ki azt tiszta vízzel és azonnal kérjen orvosi segítséget. Ez a látásának elvesztését okozhatja.
5. Ne zárja rövidre az akkumulátort:
 - (1) Ne érjen az érintkezőkhöz elektromosan vezető anyagokkal.
 - (2) Ne tárolja az akkumulátort más fémtárgyakkal, mint pl. szegekkel, érmekkel, stb. egy helyen.

- (3) Ne tegye ki az akkumulátort víznek vagy esőnek.

Az akkumulátor rövidzárlata nagy áramerősséget, túlmelegedést, égéseket, sőt akár meghibásodást is okozhat.

6. Ne tárolja a szerszámot vagy az akkumulátort olyan helyen, ahol a hőmérséklet elérheti vagy meghaladhatja az 50 °C-ot (122 °F).
7. Ne égesse el az akkumulátort még akkor sem, ha az komolyan megsérült vagy teljesen elhasználódott. Az akkumulátor a tűzben felrobbanhat.
8. Vigyázzon, nehogy leejtse vagy megüsse az akkumulátort.
9. Ne használjon sérült akkumulátort.
10. A készülékben található lítium-ion akkumulátorokra a veszélyes árukkal kapcsolatos előírások vonatkoznak.
- A termék pl. harmadik felek, fuvarozó cégek stb. által történő szállítása esetén minden esetben tartsa szem előtt a csomagoláson és a címkén található speciális követelményeket.
- A termék szállításra történő felkészítése esetén vegye fel a kapcsolatot egy veszélyes anyagokkal foglalkozó szakemberrel. Kérjük, hogy az esetlegesen szigorúbb nemzeti előírásokat is vegye figyelembe.
- Ragassa le a kiálló érintkezőket, illetve oly módon csomagolja be az akkumulátort, hogy az ne tudjon elmozdulni a csomagolásban.
11. Az akkumulátor ártalmatlanításakor tartsa be a helyi előírásokat.
12. Az akkumulátorokat csak a Makita által megjelölt termékekhez használja. Ha az akkumulátorokat azokkal nem kompatibilis termékekbe helyezi, az tűzhöz, túlmelegedéshez, robbanás-hoz vagy elektrolitszivárgáshoz vezethet.

ŐRIZZE MEG EZEKET AZ UTASÍTÁSOKAT.

VIGYÁZAT: Csak eredeti Makita akkumulátorokat használjon. A nem eredeti Makita akkumulátorok vagy módosított akkumulátorok használata esetén az akkumulátor felrobbanhat, ami tüzet, személyi sérülést és anyagi kárt okozhat. A Makita szerszámmra és töltőre vonatkozó Makita garanciát is érvénytelenítheti.

Tipppek az akkumulátor maximális élettartamának eléréséhez

- Töltse fel az akkumulátort, mielőtt teljesen lemerülne. Állítsa le a gépet, és töltse fel az akkumulátort, ha a gép erejének csökkenését észleli.
- Soha ne töltse újra a teljesen feltöltött akkumulátort. A túltöltés csökkenti az akkumulátor élettartamát.
- Töltse az akkumulátort szobahőmérsékleten, 10 °C - 40 °C (50 °F - 104 °F) között. Töltés előtt hagyja lehűlni a felforrósodott akkumulátort.
- Töltse fel az akkumulátort, ha hosszabb ideje (több mint hat hónapja) nem használta azt.

A MŰKÖDÉS LEÍRÁSA

VIGYÁZAT: Minden esetben ellenőrizze, hogy a szerszám ki van kapcsolva és az akkumulátor eltávolításra került mielőtt beállít vagy ellenőriz valamilyen funkciót a szerszámon.

Az akkumulátor behelyezése és eltávolítása

VIGYÁZAT: Mindig kapcsolja ki az eszközt, mielőtt behelyezi vagy eltávolítja az akkumulátort.

VIGYÁZAT: Az akkumulátor behelyezésekor vagy eltávolításakor erősen fogja meg a szerszámot és az akkumulátort. Ha nem fogja erősen a szerszámot és az akkumulátort, azok kicsúszhatnak a kezei közül, ami a szerszám és az akkumulátor károsodásához, de akár személyi sérüléshez is vezethet.

► **Ábra1:** 1. Piros jel 2. Gomb 3. Akkumulátor

Az akkumulátoregység kivételéhez nyomja be az akkumulátoregység elején található gombot, és húzza le a gépről.

Az akkumulátor beszereléséhez illesse az akkumulátor nyelvét a burkolaton található vátjába és csúsztassa a helyére. Egészen addig tolja be, amíg az akkumulátor egy kis kattánással a helyére nem ugrik. Ha látható a piros jel a gomb felső oldalán, akkor a gomb nem kattant be teljesen.

VIGYÁZAT: Mindig tolja be teljesen az akkumulátort, amíg a piros jel el nem tűnik. Ha ez nem történik meg, akkor az akkumulátor kieshet a szerszámból, és Önnek vagy a környezetében másnak sérülést okozhat.













VIGYÁZAT: Ne erőltesse az akkumulátort behelyezésre. Ha az akkumulátor nem csúszik be könnyedén, akkor nem megfelelően lett behelyezve.




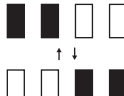
Az akkumulátor töltöttségének jelzése

Csak állapotjelzős akkumulátorok esetén

► **Ábra2:** 1. Jelzőlámpák 2. Check (ellenőrzés) gomb

Nyomja meg az ellenőrzőgombot, hogy az akkumulátortöltöttség-jelző megmutassa a hátralévő akkumulátor-kapacitást. Ekkor a töltöttség-szint-jelző lámpák néhány másodpercre kigyulladnak.

Jelzőlámpák			Töltöttségi szint
 Világító lámpa	 KI	 Villogó lámpa	
			75%-tól 100%-ig
			50%-tól 75%-ig
			25%-tól 50%-ig
			0%-tól 25%-ig
			Töltse fel az akkumulátort.

Jelzőlámpák			Töltöttségi szint
 Világító lámpa	 KI	 Villogó lámpa	
			Lehetséges, hogy az akkumulátor meghibásodott.

MEGJEGYZÉS: Az adott munkafeltételektől és a környezeti hőmérsékletétől függően a jelzett töltöttségi szint némileg eltérhet a tényleges töltöttségi szinttől.

Szerszám-/akkumulátorvédő rendszer

A gép szerszám-/akkumulátorvédő rendszerrel van felszerelve. A rendszer automatikusan kikapcsolja a motor áramellátását, így megnöveli a szerszám és az akkumulátor élettartamát. A gép használat közben automatikusan leáll, ha a szerszám vagy az akkumulátor a következő állapotok valamelyikébe kerül:

Túlterhelésvédelem

Ha az akkumulátort úgy használják, hogy az rendszeresen nagy áramot vesz fel, a szerszám automatikusan leáll, és a kijelző a megfelelő hibaszámot jeleníti meg. Ilyenkor kapcsolja ki a gépet, és fejezze be azt a műveletet, amelyik a túlterhelést okozza. A munka újrakezdéséhez kapcsolja be a szerszámot.

Túlmelegedés elleni védelem

Ha a szerszám vagy az akkumulátor túlmelegszik, a szerszám automatikusan leáll, és a kijelző a megfelelő hibaszámot jeleníti meg. Ilyenkor hagyja lehűlni a szerszámot és az akkumulátort, mielőtt ismét munkához látna.

Mélykisütés elleni védelem

Ha az akkumulátor kapacitása nem elegendő, a szerszám automatikusan leáll, és a kijelző a megfelelő hibaszámot jeleníti meg. Ebben az esetben vegye ki az akkumulátort a szerszámból, majd töltsse fel azt.

Főkapcsoló

⚠ VIGYÁZAT: Amikor bekapcsolja a szerszámot, soha ne vigye a végtagjait vagy az arcát közel a szerszám hegyének kötöző vagy forgó részeihez. Máskülönben megsérülhet.

⚠ VIGYÁZAT: Amikor a szerszám be van kapcsolva, soha ne érintse meg a szerszám hegyének kötöző vagy forgó részeit. Máskülönben megsérülhet.

⚠ VIGYÁZAT: Az akkumulátor behelyezése előtt vegye le az ujjait a kapcsológombról, és zárja le a kapcsolót. Ha akkor helyezi be az akkumulátort, amikor a kapcsológomb be van húzva, balesetet okozhat, ha elindul a huzalkötözési folyamat.

► **Ábra3**

A be-/kikapcsoló gomb megnyomásakor a szerszám bekapcsol, és a kötözési mód lámpája kigyullad. A szerszám edy időre működésbe lép, hogy a kezdeti pozícióját beállítsa. A beállítás befejezésekor a szerszám automatikusan leáll. A be-/kikapcsoló gomb újbóli megnyomásakor a szerszám kikapcsol, és a kötözési mód lámpája elalszik.

► **Ábra4:** 1. Kötözési mód lámpája 2. Be-/kikapcsoló gomb

MEGJEGYZÉS: A szerszám automatikus kikapcsolási funkcióval rendelkezik. Ha a kapcsológombot 10 percig nem húzzák be, a szerszám automatikusan kikapcsol, hogy csökkentse az akkumulátor fogyasztását.

MEGJEGYZÉS: A szerszám újraindításához kapcsolja be újra.

Üzem módváltó gomb

Amikor a szerszám be van kapcsolva és a kötözési mód lámpája világít, kiválaszthatja az egyenkénti vagy a folyamatos üzemmódot az üzemmódváltó gomb segítségével. Amikor újra bekapcsolja, a szerszám abban az üzemmódban indul, amelyet a legutóbb kiválasztottak.

► **Ábra5:** 1. Üzem módváltó gomb 2. Egyenkénti üzemmód 3. Folyamatos üzemmód

A kapcsoló használata

⚠ FIGYELMEZTETÉS: Mielőtt behelyezi az akkumulátort a szerszámba, mindig ellenőrizze, hogy a kapcsológomb hibátlanul működik és felengedéskor „OFF” állásba áll-e.

⚠ VIGYÁZAT: Ha nem működött a gépet, tolja át a kapcsolózárógombot a B oldalról, hogy a kapcsológomb KI állásba kerüljön.

► **Ábra6:** 1. Kapcsológomb 2. Kapcsolózárógomb

A kapcsológomb véletlen benyomásának elkerülésére kapcsolózárógomb szolgál. A szerszám bekapcsolásához nyomja meg a kapcsolózárógombot az A oldalról, majd húzza meg a kapcsológombot. A megállításához engedje el a kapcsológombot. Használat után tolja át a kapcsolózárógombot a B oldalról.

A kapcsológomb behúzásakor a szerszám elvégzi a soron következő műveleteket, majd a szerszám automatikusan leáll.

1. Betölti a huzalt.
2. Elvágja a huzalt.
3. A horog megfogja és tekeri a huzalt.
4. A horog visszatér az eredeti helyzetébe.

A kötözés erősségének beállítása

⚠ VIGYÁZAT: A beállítás elkezdése előtt győződjön meg róla, hogy lezárta a kapcsolót. Amikor bekapcsolja a szerszámot, soha ne vigye a végtagjait vagy az arcát közel a szerszám hegyének kötöző vagy forgó részeihez. Máskülönben megsérülhet.

► **Ábra7**

Beállíthatja a kötözés erősségét az arra szolgáló gomb segítségével. A kötözés erősségét kijelzi a kijelzőpanel.

- **Ábra8:** 1. Kötözés erősségét beállító gomb
2. Kijelzőpanel

Ha a huzal eltörött, a kötés elveszíti erősségét. Kötözés után vizsgálja meg a tekert részt, nincs-e rajta törés. Ha a huzal eltörött, állítsa be a kötés erősségét a gomb segítségével, és kötözze újra a betonacélrudakat.

Maradék akkumulátor kijelzés

Ha az akkumulátor feszültsége a kívánt szint alá csökken, a szerszám működése leáll, egy hibajel szólal meg, és a kijelzőpanelen a 4-es szám jelenik meg. A hibajel tovább szól, amíg a szerszámot ki nem kapcsolják.

MEGJEGYZÉS: Ha a környezet hőmérséklete rendkívül alacsony, a hibajel akkor is megszólalhat, ha az akkumulátorban elegendő a feszültség.

ÖSSZESZERELÉS

⚠VIGYÁZAT: Minden esetben ellenőrizze, hogy a szerszám ki van kapcsolva és az akkumulátort levette, mielőtt bármilyen műveletet végez a szerszámon.

A kötözőhuzal (huzaltekercs) betétele

⚠VIGYÁZAT: Huzaltekercek és tartozékok beszerelése vagy kiszerelese előtt győződjön meg róla, hogy kikapcsolta a szerszámot, lezárta a kapcsolót, és eltávolította az akkumulátort. Ennek elmulasztása balesetet okozhat.

MEGJEGYZÉS: Ha nem eredeti Makita kötözőhuzalt (edzett huzalt) használ, az a szerszám hibás működését okozhatja.

1. Nyomja meg a kioldókart, és rögzítse a reteszelőkarral.

► **Ábra9:** 1. Kioldókar 2. Reteszelőkar

Amikor a kioldókart megnyomja, rés keletkezik a bal és a jobb adagolótárcsa között.

► **Ábra10:** 1. Kioldókar 2. Reteszelőkar
3. Adagolótárcsák

2. Fejtsse le a huzalt rögzítő szalagot, és húzza ki a huzal végét.

► **Ábra11:** 1. Szalag 2. Huzal vége

3. Nyissa ki a tekercs fedelét.

► **Ábra12:** 1. Tekercsfedél

4. Helyezze fel a szerszámmra a tekercs fedelét az ábrán látható irányban.

► **Ábra13:** 1. Huzaltekercs

MEGJEGYZÉS: Győződjön meg arról, hogy a tekercs fedelét az ábrán látható irányban helyezte fel. Ha fordítva helyezi fel, a huzal elszabadul és feltekeredhet.

5. Egyenesítse ki a huzal végét, és dugja be a vezetőbe.

► **Ábra14:** 1. Vezető

MEGJEGYZÉS: Ha a huzal vége meg van hajlítva a vezetőbe dugáskor, a huzal beszorulhat a szerszámba.

MEGJEGYZÉS: Ha erőlteti a huzalt, amikor be próbálja dugni a vezetőbe, a huzal beszorulhat.

6. Húzza ki a huzalt körülbelül 10 mm-re a kar végétől.

► **Ábra15:** 1. Kar 2. Körülbelül 10 mm

MEGJEGYZÉS: Ha a kihúzott huzal hossza nem elegendő, a huzal letörhet kötőzészkar vagy a kötözés erőssége nem lesz megfelelő a nem elegendő tekerés miatt.

7. Távolítsa el az egész huzalt rögzítő szalagot.

► **Ábra16**

8. Tekerje vissza a huzalt, hogy megszüntesse a holtjátékot.

► **Ábra17**

9. Engedje fel a reteszelőkart. A kioldókar visszatér, és a huzal a bal és a jobb tárcsa tartja.

► **Ábra18:** 1. Kioldókar 2. Reteszelőkar

► **Ábra19:** 1. Tárcsa 2. A huzal útja 3. Huzal

MEGJEGYZÉS: Amikor a reteszelőkart felengedik és a bal és jobb tárcsák egymásba kapcsolódnak, a tárcsák hornyai között marad egy hely. Ez a hely lesz a huzal útja. Gondoskodjon róla, hogy a huzal itt haladjon át.

10. Zárja be a tekercs fedelét.

► **Ábra20:** 1. Tekercsfedél

MŰKÖDTETÉS

Munka előtti ellenőrzés

⚠VIGYÁZAT: Ha a szerszámnak a biztonsági mechanizmussal kapcsolatos problémája van, ne használja. Ha tovább használja, baleset következhet be.

A szerszám használata előtt gondoskodjon róla, hogy a biztonsági mechanizmus normálisan működik. Ha a szerszám működő biztonsági mechanizmus nélkül működik, azonnal állítsa le a használatát. Javításért forduljon a helyi Makita szervizközponthoz.

A kapcsolózár ellenőrzése

A szerszám kapcsolózárral rendelkezik, hogy megakadályozza a szerszám működését, amikor nem szándékozik használni. Zárja le a kapcsolót, és ellenőrizze, hogy a kapcsológombot nem lehet behúzni.

A hajlításvezérlő ellenőrzése

Annak érdekében, hogy megakadályozza, hogy a kezelő tévedésből megérintse a szerszám kötöző vagy forgó részeit, a szerszám nem működik nyitott hajlításvezérlővel még akkor sem, ha a kapcsológombot behúzzák. Ha a kezelő leveleszi az ujját a kapcsológombról, és becsukja a hajlításvezérlőt, akkor a szerszám működhet.

► **Ábra21:** 1. Hajlításvezérlő

A nyitott/zárt hajlításvezérlő észlelésének ellenőrzése

Távolítsa el a kötözőhuzalt, ellenőrizze a szerszám működését az alábbi lépések segítségével, és gondoskodjon róla, hogy a szerszám ne induljon el nyitott hajlításvezérlővel.

1. Kapcsolja ki a szerszámot, és hagyja nyitva a hajlításvezérlőt.
2. Kapcsolja be.

Ha a szerszám nem működik és a kijelzőpanelen a 2-es érték látható, a szerszám állapota normális. Kapcsolja ki a szerszámot, és csukja be a hajlításvezérlőt.

Ha a szerszám működik és a kijelzőpanelen nem látható hiba, a szerszám állapota rendellenes. Azonnal fejezze be a szerszám használatát, és javításért forduljon a helyi Makita szakszervizhez.

⚠VIGYÁZAT: Ha kinyitja a hajlításvezérlőt, és bekapcsolja a szerszámot, hogy ellenőrizze az összefüggést, tartsa a hajlításvezérlőt az ábrán látható módon. Soha ne vigye a végtagjait vagy az arcát közel a szerszám hegyének kötöző vagy forgó részeihez. Máskülönben megsérülhet.

► **Ábra22**

Kötözési tevékenység

⚠VIGYÁZAT: Az akkumulátor behelyezése előtt vegye le az ujjait a kapcsológombról, és zárja le a kapcsolót. Ha akkor helyezi be az akkumulátort, amikor a kapcsológomb be van húzva, balesetet okozhat, ha elindul a huzalkötözési folyamat.

⚠VIGYÁZAT: Amikor bekapcsolja a szerszámot, soha ne vigye a végtagjait vagy az arcát közel a szerszám hegyének kötöző vagy forgó részeihez. Máskülönben megsérülhet.

⚠VIGYÁZAT: Amikor a szerszám be van kapcsolva, soha ne érintse meg a szerszám hegyének kötöző vagy forgó részeit. Máskülönben megsérülhet.

► **Ábra23**

Munka előtti előkészületek

1. Gondoskodjon róla, hogy az akkumulátort eltávolították, és a kapcsolót lezárták.
2. Helyezze be az akkumulátort a szerszámba, majd kapcsolja be. Amikor bekapcsolja a szerszámot, automatikusan elvágja a huzalt.

MEGJEGYZÉS: Figyelje meg, hogy a kötözési mód lámpája kigyullad-e a szerszám bekapcsolásakor. Ha nem gyullad ki, töltse fel az akkumulátort.

3. Engedje fel a kapcsolózárát.
- **Ábra24:** 1. Kapcsolózárgomb 2. Kapcsológomb 3. Be-/kikapcsoló gomb 4. Kötözési mód lámpája

Egyenkénti üzemmód

1. Nyomja a kart biztosan a kötözési ponthoz. Nyomja a szerszámot függőlegesen a betonacélrudakhoz, és nyomja a kart 45 fokos szögben ahhoz a ponthoz, ahol a betonacélrudak keresztezik egymást.

► **Ábra25**

2. Húzza meg a kapcsológombot egyszer.
3. A huzal automatikusan adagolásra és levágásra kerül.
4. A horog megfogja és tekeri a huzalt, majd a huzalok kötözése után visszatér az eredeti helyzetébe.

► **Ábra26**

5. Kötözés után vigyázzon, hogy a kar ne akadjon a betonacélrudakba, és húzza fel a szerszámot.

⚠VIGYÁZAT: Ha a huzal hozzáragadt a szerszám hegyének kötöző részéhez, kapcsolja ki a szerszámot. Zárja le a kapcsolót, távolítsa el az akkumulátort, és távolítsa el a huzalt egy csipesz vagy fogó segítségével.

► **Ábra27**

Folyamatos üzemmód

1. Váltás a szerszám üzemmódját az egyenkéntiről a folyamatos üzemmódra az üzemmódváltó gomb segítségével.

► **Ábra28:** 1. Üzemmódváltó gomb

2. Engedje fel a kapcsolózárát.
3. A kapcsológombot behúzva tartva nyomja a szerszámot függőlegesen a betonacélrudakhoz, és nyomja a kart 45 fokos szögben ahhoz a ponthoz, ahol a betonacélrudak keresztezik egymást. Nyomja a kontaktlemez erősen a kötözési ponthoz. Megtörténik a huzal kötözése.

► **Ábra29:** 1. Kontaktlemez

4. Kötözés után vigyázzon, hogy a kar ne akadjon a betonacélrudakba, és húzza fel a szerszámot.

► **Ábra30**

Erre vigyázzon munka közben

- Ha a huzalkötözési folyamat közben elmozdítja a kart a kötözési pozícióból, a huzal fennakad a horgon, és az helytelen kötözéshez vezethet.
- Tartsa a szerszámot a betonacélrudakhoz nyomva, amíg a huzalkötözési folyamat befejeződik.
- Ne menjen át a következő kötözési pontra, amíg a jelenlegi huzalkötözési folyamat be nem fejeződik.
- A szerszám hegyének forgó része (a horog) megtekeri a huzalt a kötözési folyamat során. Tartsa erősen a nyelet, hogy a szerszám ne húzza el a testét.
- Ne érjen a huzalokhoz a huzalkötözési folyamat során.
- Ha megismétli a huzalkötözési folyamatot egyenkénti üzemmódban, vegye le teljesen az ujját a kapcsológombról. Ezután működtesse tovább a kapcsológombot.
- Ha meghúzza a kapcsológombot, amikor már nem maradt több kötözőhuzal, hibáüzenet jelenik meg. Tegen be új kötözőhuzalt, és indítsa újra a szerszámot.

Kötözési tippek

- Fordítsa a szerszámot a keresztezett betonrudakhoz képest 45°-os szögben, és kötözzön váltakozva az ábrán látható módon.
- **Ábra31**
- Kerülje el a betonacélrudak kidudorodásos szakaszait.
- **Ábra32**
- Ha a kötözés erőssége nem elegendő, változtassa meg a kötözés irányát, és végezze el a kötözést kétszer, hogy a kötözés erőssége nőjön.
- **Ábra33**

MEGJEGYZÉS: A második kötözés elvégzése előtt hajlítsa be az elsőnek a végét. Másikülönben a második alkalommal eltaszíthatja a huzalt. Hozzáragadhat a szerszám hegyéhez, és a horog megsérülhet.

A kötözőhuzal cseréje

⚠ VIGYÁZAT: A huzal cseréjekor győződjön meg róla, hogy kikapcsolta a szerszámot, lezárta a kapcsolót, és eltávolította az akkumulátort. Ennek elmulasztása balesetet okozhat.

1. Amikor a huzal elfogyott, hibajel szólal meg, és az 1-es hiba kerül kijelzésre.
 2. Zárja el a kapcsolót, kapcsolja ki a szerszámot, és távolítsa el az akkumulátort.
 3. Nyomja meg a kioldókart, és rögzítse a reteszelőkarral.
- **Ábra34:** 1. Kioldókar 2. Reteszelőkar
4. Vegye ki a huzaltekercset a szerszámból.

MEGJEGYZÉS: Amikor a huzal normálisan elfogyott, körülbelül 20 cm huzal a tekercsre csavarodva marad. Ebben az állapotban helyettesítse a huzaltekercset egy újjal.

Ha nehéz a huzaltekercset eltávolítani a szerszámból, kövesse az alábbi lépéseket.

1. Helyezze be az akkumulátort a szerszámba, majd kapcsolja be. A szerszám automatikusan betölti és elvágja a huzalt.
2. Zárja el a kapcsolót, kapcsolja ki a szerszámot, és távolítsa el az akkumulátort.
3. Távolítsa el a huzaldarabokat csipesz vagy fogó segítségével.

KARBANTARTÁS

⚠ VIGYÁZAT: Minden esetben ellenőrizze, hogy a szerszám ki van kapcsolva és az akkumulátor eltávolításra került mielőtt átvizsgálja a szerszámot vagy annak karbantartását végzi.

MEGJEGYZÉS: Soha ne használjon gázolajt, benzint, hígítót, alkoholt vagy hasonló anyagokat. Ezek elszíneződést, alakvesztést vagy repedést okozhatnak.

A termék BIZTONSÁGÁNAK és MEGBÍZHATÓSÁGÁNAK fenntartása érdekében a javításokat és más karbantartásokat vagy beállításokat a Makita hivatalos vagy gyári szervizközpontjában kell elvégezni, mindig csak Makita cserealkatrészeket használnva.

Az imbuszkulcs tárolása

Az imbuszkulcsot az ábrán látható módon kell tárolni.

- **Ábra35:** 1. Imbuszkulcs

A vágószerszám tisztítása

Ha a szerszámot hosszú időn keresztül használják, por és huzaldarabok ragadhatnak a vágórészhez. Ebben az esetben szerjeztes és tisztítsa meg a vágót a következő eljárás szerint.

Ha huzal szorul a vágórészbe, a huzalt ugyanazt az eljárást követve lehet eltávolítani.

Szétszedés és tisztítás

1. Lazítsa meg az A és B fejecscsavarokat a szerszám csomagolásához tartozó imbuszkulccsal.

- **Ábra36:** 1. Fejecscsavar A 2. Fejecscsavar B 3. Kontaktlemez fedele 4. Huzalvezető B

MEGJEGYZÉS: Ne távolítsa el erővel a fejecscsavarokat, amelyeket az imbuszkulcs segítségével nem lehet eltávolítani.

2. Húzza fel a kontaktlemez fedelét a nyíllal jelölt irányba, és távolítsa el. Távolítsa el ugyanakkor a B fejecscsavart is.
- **Ábra37:** 1. Kontaktlemez fedele 2. Fejecscsavar B
3. Távolítsa el az A fejecscsavart és a B huzalvezetőt.
- **Ábra38:** 1. Fejecscsavar A 2. Huzalvezető B

4. Fordítsa meg a B huzalvezetőt, és tisztítsa meg a belsejét.

- **Ábra39**

5. Távolítsa el az A vágót, a B vágót, a felső lemezt és az A rúdkart az A lemezről. Ezután tisztítsa meg azokat.

- **Ábra40:** 1. Vágószerszám B 2. Rúdkar A 3. Vágószerszám A 4. Karlemez A 5. Felső lemez

Összeszerelés

A tisztítás befejezésekor szerelje össze a részeket a következő eljárás szerint.

1. Helyezze el úgy az A vágót és az A rúdkart, hogy illeszkedjen az A karlemez alakjához.

- **Ábra41:** 1. Vágószerszám A 2. Rúdkar A 3. Karlemez A

2. Helyezze a B vágót és a felső lemezt az A karlemezre. (Helyezze a B vágót az A vágóra és az A rúdkarra.)

- **Ábra42:** 1. Vágószerszám B 2. Felső lemez 3. Karlemez A 4. Vágószerszám A 5. Rúdkar A

MEGJEGYZÉS: Fordítsa a B vágó kitérőmélyedését lefelé, és helyezze be a vágót az ábrán látható módon.

3. Illesse egyvonalba a szerszám csövét és a B huzalvezetőben lévő hornyot, majd szerelje össze.
▶ **Ábra43:** 1. Cső 2. Vájat 3. Huzalvezető B
4. Rögzítse a B huzalvezetőt az A fejecscsavar ideiglenes megszorításával.
▶ **Ábra44:** 1. Fejecscsavar A 2. Huzalvezető B
5. Helyezze be a kontaktlemez fedelét a nyílal jelölt irányban.
▶ **Ábra45:** 1. Kontaktlemez fedele

6. Rögzítse biztonságosan a B huzalvezetőt és a kontaktlemez fedelét az A és B fejecscsavar megszorításával.
▶ **Ábra46:** 1. Huzalvezető B 2. Kontaktlemez fedele 3. Fejecscsavar A 4. Fejecscsavar B
7. Összeszerelés után ellenőrizze, hogy a kontaktlemez az ábrán látható módon mozogni tud.
▶ **Ábra47:** 1. Kontaktlemez

MEGJEGYZÉS: Ha a kontaktlemez beszorult, nyomja meg az ábrán látható módon.

- ▶ **Ábra48**

Hibák kijelzése és hibajel

⚠ VIGYÁZAT: A vizsgálat idejére gondoskodjon róla, hogy zárja el a kapcsolót, kapcsolja ki a szerszámot, és távolítsa el az akkumulátort. Ennek elmulasztása balesetet okozhat.

⚠ VIGYÁZAT: Amikor bekapcsolja a szerszámot, soha ne vigye a végtagjait vagy az arcát közel a szerszám hegyének kötöző vagy forgó részeihez. Máskülönben megsérülhet.

⚠ VIGYÁZAT: Amikor a szerszám be van kapcsolva, soha ne érintse meg a szerszám hegyének kötöző vagy forgó részeit. Máskülönben megsérülhet.

⚠ VIGYÁZAT: Ha hibajel szólal meg vagy a szerszám hibásan működik, azonnal hagyja abba a szerszám használatát.

Hibajel és kijelzés

Ha hiba történik, egy hibajel szólal meg, és a kijelzőpanel egy hibaszámot jelez ki. Tanulmányozza a következő táblázatot, és tegye meg a megfelelő intézkedéseket. Ha a hiba továbbra is fennáll, az illetékes Makita szervizközponttal végeztesse el a cserét.

Kijelző	Tünet	Lehetséges ok	Megoldás
1	A szerszám működése leáll.	Elfogyott a huzal.	Tegyen be új kötözőhuzalt.
		Nincs betéve kötözőhuzal.	Tegyen be kötözőhuzalt.
		A huzal betöltése nem sikerül.	Ellenőrizze a kötözőhuzal irányultságát. Vegye ki a kötözőhuzalt, és tegye be újra. Tisztítsa meg a huzal útját.
2	A szerszám működése leáll.	A hajlításvezérlő nyitva van.	Csukja be a hajlításvezérlőt.
3	A szerszám nem hajtja végre a kötözési folyamatot folyamatos üzemmódban.	A kontaktlemez beszorult.	Szabadítsa ki a beszorult kontaktlemezt.
4	A szerszám nem indul be. A szerszám működése leáll.	Az akkumulátor lemerült. Az akkumulátor hőmérséklete rendellenesen magas.	Töltse fel az akkumulátort. Hűtse le az akkumulátort. Cserélje az akkumulátort egy feltöltöttre.
5	A szerszám működése leáll.	A motor túl van terhelve.	Határozza meg, milyen ok akadályozza a motor forgását, és oldja meg a problémát.
		Motorhiba	
6	A szerszám működése leáll.	A szerszám hőmérséklete rendellenesen magas.	Hűtse le a szerszámot.
7	A szerszám nem indul be. A szerszám működése leáll.	A szerszám meghibásodott	Az illetékes Makita szervizközponttal végeztesse el a cserét.

OPCIONÁLIS KIEGÉSZÍTŐK

⚠ VIGYÁZAT: Ezen kiegészítőket és tartozékokat javasoljuk a kézikönyvben ismertetett Makita szerszámhoz. Bármilyen más kiegészítő vagy tartozék használata a személyi sérülés kockázatával jár. A kiegészítőt vagy tartozékot csak rendeltetésszerűen használja.

Ha bármilyen segítségre vagy további információra van szüksége ezekkel a tartozékokkal kapcsolatban, keresse fel a helyi Makita Szervizközpontot.

- Kötözőhuzal
- Eredeti Makita akkumulátor és töltő

MEGJEGYZÉS: A listán felsorolt néhány kiegészítő megtalálható az eszköz csomagolásában standard kiegészítőként. Ezek országonként eltérőek lehetnek.

TECHNICKÉ ŠPECIFIKÁCIE

Model:	DTR180
Viazací drôt (voliteľné príslušenstvo)	ø0,8 mm
Priemer viazacích tyčí, ktoré je možné viazať	Od #3 x #3 do (#4 x 2) x (#4 x 2) Od 10 mm x 10 mm do (13 mm x 2) x (13 mm x 2)
Približný počet viazaní na cievku	Približne 120 viazaní
Celková dĺžka	304 mm
Menovité napätie	Jednosmerný prúd 14,4/18 V
Čistá hmotnosť	2,3 – 2,6 kg

- Vzhľadom k neustálemu výskumu a vývoju podliehajú technické údaje uvedené v tomto dokumente zmenám bez upozornenia.
- Technické špecifikácie a typ akumulátora sa môžu v rámci jednotlivých krajín líšiť.
- Hmotnosť sa môže líšiť v závislosti od nastavcov vrátane akumulátora. Najľahšia a najťažšia kombinácia v súlade s postupom EPTA 01/2014 je uvedená v tabuľke.

Použiteľné akumulátory a nabíjačky

Akumulátor	Model s jednosmerným napätím 14,4 V	BL1415N / BL1430 / BL1430B / BL1440 / BL1450 / BL1460B
	Model s jednosmerným napätím 18 V	BL1815N / BL1820 / BL1820B / BL1830 / BL1830B / BL1840 / BL1840B / BL1850 / BL1850B / BL1860B
Nabíjačka		DC18RC / DC18RD / DC18RE / DC18SD / DC18SE / DC18SF

- Niektoré vyššie uvedené akumulátory a nabíjačky môžu byť nedostupné v závislosti od miesta vášho bydliska.

VAROVANIE: Používajte iba akumulátory a nabíjačky zo zoznamu uvedeného vyššie. Používanie akýchkoľvek iných akumulátorov a nabíjačiek môže spôsobiť zranenie a/alebo požiar.

Kombinácia vystužovacích tyčí, ktoré je možné viazať

Kombinácia 2 vystužovacích tyčí

	#3 (10 mm)	#4 (13 mm)	#5 (16 mm)
#3 (10 mm)	✓	✓	✓
#4 (13 mm)	✓	✓	✓
#5 (16 mm)	✓	✓	✓

Kombinácia 3 vystužovacích tyčí

	#3 x #3 (10 mm x 10 mm)	#4 x #4 (13 mm x 13 mm)
#3 (10 mm)	✓	✓
#4 (13 mm)	✓	✓
#5 (16 mm)	✓	-

Kombinácia 4 vystužovacích tyčí

	#3 x #3 (10 mm x 10 mm)	#4 x #4 (13 mm x 13 mm)
#3 x #3 (10 mm x 10 mm)	✓	✓
#4 x #4 (13 mm x 13 mm)	✓	✓

UPOZORNENIE: Ak je medzi vystužovacími tyčami medzera alebo sa nástroj používa s nesprávnou orientáciou, vystužovacie tyče nemusia byť možné viazať.

Symbyoly

Nižšie sú uvedené symbyoly, s ktorými sa môžete stretnúť pri použití nástroja. Je dôležité, aby ste poznali ich význam, skôr než začnete pracovať.



Prečítajte si návod na obsluhu.



Používajte ochranné okuliare.



Nevystavujte dažďu.



Ruky počas obsluhy nástroja držte v bezpečnej vzdialenosti od cievky na drôt alebo drôtu.



Ruky držte v bezpečnej vzdialenosti od konca nástroja.



Ni-MH
Li-Ion

Len pre štáty EÚ
Nevyhadzujte elektrické zariadenia ani batériu do komunálneho odpadu!
Podľa európskej smernice o nakladaní s použitými elektrickými a elektronickými zariadeniami a smernice o batériách a akumulátoroch a odpadových batériách a akumulátoroch a ich implementovaní v súlade s právnymi predpismi jednotlivých krajín je nutné elektrické zariadenia a batérie po skončení ich životnosti triediť a odovzdať na zberné miesto vykonávajúce environmentálne kompatibilné recyklovanie.

Určené použitie

Nástroj je určený na viazanie vystužovacích tyčí.

Hluk

Typická hladina akustického tlaku záťaže A určená podľa štandardu EN60745-2-18 (EN12549):

Úroveň akustického tlaku (L_{pA}): 78 dB (A)

Odchýlka (K): 3 dB (A)

Úroveň hluku pri práci môže prekročiť 80 dB (A).

VAROVANIE: Používajte ochranu sluchu.

Vibrácie

Celková hodnota vibrácií (trojosový vektorový súčet) určená podľa štandardu EN60745-2-18 (ISO8662-11):

Režim činnosti: Kovová tyč na viazanie

Emisie vibrácií (a_h): 2,5 m/s² alebo menej

Odchýlka (K): 1,5 m/s²

POZNÁMKA: Deklarovaná hodnota emisií vibrácií bola meraná podľa štandardnej skúšobnej metódy a môže sa použiť na porovnanie jedného nástroja s druhým.

POZNÁMKA: Deklarovaná hodnota emisií vibrácií sa môže použiť aj na predbežné posúdenie vystavenia ich účinkom.

VAROVANIE: Emisie vibrácií počas skutočného používania elektrického nástroja sa môžu odlišovať od deklarovanej hodnoty emisií vibrácií, a to v závislosti od spôsobov používania náradia.

VAROVANIE: Nezabudnite označiť bezpečnostné opatrenia s cieľom chrániť obsluhu, a to tie, ktoré sa zakladajú na odhade vystavenia účinkom v rámci reálnych podmienok používania (berúc do úvahy všetky súčasti prevádzkového cyklu, ako sú doby, kedy je nástroj vypnutý a kedy beží bez záťaže, ako dodatok k dobe zapnutia).

Vyhlasenie o zhode ES

Len pre krajiny Európy

Vyhlasenie o zhode ES sa nachádza v prílohe A tohto návodu na obsluhu.

BEZPEČNOSTNÉ VAROVANIA

Všeobecné bezpečnostné predpisy pre elektrické nástroje

VAROVANIE: Preštudujte si všetky bezpečnostné varovania, pokyny, vyobrazenia a technické špecifikácie určené pre tento elektrický nástroj. Pri nedodržaní všetkých nižšie uvedených pokynov môže dôjsť k úrazu elektrickým prúdom, požiaru alebo vážnemu zraneniu.

Všetky výstrahy a pokyny si odložte pre prípad potreby v budúcnosti.

Pojem „elektrický nástroj“ sa vo výstrahách vzťahuje na elektricky napájané elektrické nástroje (s káblom) alebo batériou napájané elektrické nástroje (bez kábla).

Bezpečnostné výstrahy pre akumulátorový nástroj na viazanie vystužovacích tyčí

1. **Nástroj nikdy nesmerujte na inú osobu. Ruky ani nohy nikdy neumiestňujte do blízkosti konca nástroja.** Ak neopatrením uvediete nástroj do prevádzky, kým sa niekoho dotýkate, dôjde k neočakávanej nehode.
2. **Kým je zapnuté napájanie nástroja, nevkladajte drôt.** V opačnom prípade by vás drôt mohol zachytiť a ublížiť vám.

3. **Nástroj nepoužívajte bez uzavretia krytu cievky.** V opačnom prípade sa drôt môže uvoľniť a spôsobiť nehodu.
4. **Pred začatím práce sa uistite, že priemery vystužovacích tyčí, ktoré sa budú viazať, sú v rozsahu kapacity nástroja.**
5. **Noste odevy, ktoré majú priliehavé dolné lemy a rukávy.** Nepracujte s úterákom ani iným predmetom ovinutým okolo krku. V opačnom prípade by ste sa mohli zachytiť do otočnej súčasti a mohlo by dôjsť k nehode.
6. **Kým začnete používať nástroj, vykonajte nasledujúce kontroly.**
 - Skontrolujte, či žiadne diely nie sú poškodené
 - Skontrolujte, či žiadne čapy nie sú uvoľnené
 - Skontrolujte, či bezpečnostné zariadenia riadne fungujú
7. **Ak zistíte akékoľvek nezrovnalosti, nástroj okamžite zastavte.** Opravu nástroja sa nepokúšajte vykonať sami. Požiadajte miestne servisné stredisko spoločnosti Makita o opravu. Ak sa nástroj používa v neúplnom stave, môže dôjsť k nehode.
8. **Pri inštalácii akumulátora zablokujte spúšť a neumiestňujte prst na spúšť.** Nesprávna obsluha môže spôsobiť nehodu.
9. **Pri viazaní vystužovacích tyčí dávajte pozor, aby ste ich neposunuli.** Ak sa vystužovacie tyče pohnú účinkom viazania, môže dôjsť k ublíženiu na zdraví.
10. **Počas procesu viazania drôtom sa nedotýkajte drôtov.** V opačnom prípade by vás drôt mohol zachytiť a ublížiť vám.
11. **Ruky neumiestňujte do blízkosti miesta viazania počas procesu viazania.** V opačnom prípade by vás drôt mohol zachytiť a ublížiť vám.
12. **Počas procesu viazania drôtom pevne držte držadlo nástroja.** V opačnom prípade by mohlo dôjsť k vyvrtnutiu zápastia alebo potiahnutiu tela, čo môže spôsobiť ublíženie na zdraví.
13. **Neprechádzajte na ďalší bod viazania, kým nebol ukončený aktuálny proces viazania drôtom.** V opačnom prípade môže dôjsť k ublíženiu na zdraví.
14. **Počas procesu viazania drôtom venujte pozornosť koncu drôtu.** V opačnom prípade vám môže koniec drôtu zachytiť ruku a môže dôjsť k ublíženiu na zdraví.
15. **Počas procesu viazania drôtom sa nedotýkajte kontaktnej platne.** Ak sa potrebujete dotknúť kontaktnej platne, zablokujte spúšť alebo vypnite vypínač a vyberte akumulátor. V opačnom prípade môže dôjsť k ublíženiu na zdraví.
16. **Po dokončení procesu viazania drôtom nástroj potiahnite vertikálne nahor.** V opačnom prípade sa môže rameno zachytiť o vystužovacie tyče, čo by mohlo spôsobiť nehodu.
17. **Dávajte pozor, aby vám nástroj nespadol, ani do ničoho nenarazil.** Ak pred použitím nástroja dôjde k silnému nárazu, skontrolujte, či nástroj nie je poškodený alebo prasknutý a či bezpečnostné zariadenia riadne fungujú. V opačnom prípade môže dôjsť k nehode.
18. **Ak sa vyskytne ľubovoľný z nasledujúcich javov, zaistite spúšť, vypnite vypínač a vyberte akumulátor z nástroja.** Ak sa nástroj používa nesprávne, môže dôjsť k nehode.
 - Ak zaznie bezprostredne po namontovaní akumulátora prevádzkový zvuk.
 - Ak sa rozpozná prehrievanie alebo nezvyčajný zápach, prípadne hluk.
 - Keď prijímate opatrenia v reakcii na zobrazenie chybového hlásenia. (Požiadajte miestne servisné stredisko Makita o opravu.)
 - Pri vkladaní alebo vyberaní cievky na drôt.
 - Keď sa pohybujete za súčasného držania nástroja počas práce.
 - Keď nástroj nepoužívate.
 - Keď nástroj kontrolujete alebo nastavujete.
 - Keď vyberáte uviaznutý drôt.
19. **Pri práci na lešení ho vždy stabilizujte a pracujte v pozícii, pri ktorej dokázate udržať rovnováhu.** Ak je lešenie nestabilné, môže dôjsť k nehode.
20. **Pri práci na streche alebo na podobných miestach sa pohybujte vždy iba smerom dopredu, aby ste videli, kam idete.** Ak sa počas práce pohybujete smerom dozadu, môžete stratiť rovnováhu a môže dôjsť k nehode.
21. **Ak realizujete výškové práce, uistite sa, že sa pod vami nikto nenachádza a dávajte pozor, aby vám pri práci nevypadli žiadne nástroje.** Padajúci nástroj môže spôsobiť nehodu.
22. **Nástroj nepoužívajte na iné účely ako na viazanie drôtom.** V opačnom prípade môže dôjsť k nehode.
23. **Vždy používajte originálne drôty Makita.** Ak sa drôty dlhý čas nepoužívajú, môžu zhrdzaviť. **Nepoužívajte hrdzavé drôty.** V opačnom prípade môže dôjsť k nehode.
24. **Po viazaní skontrolujte, či nedošlo k zlomeniu drôtu účinkom nadmerného pretáčania.** Ak dôjde k zlomeniu drôtov, pevnosť viazania pomíne. Upravte pevnosť viazania a vystužovacie tyče zviazte znova.
25. **Bezpečne umiestnite rameno voči vystužovacím tyčiam.** Ak sa neumiestni bezpečne, vznikne medzera medzi vystužovacími tyčami, ktorá naruší pevnosť viazania.

Dôležité bezpečnostné a prevádzkové pokyny pre akumulátor

1. **Pred použitím akumulátora si prečítajte všetky pokyny a výstavné označenia na (1) nabíjačke akumulátorov, (2) akumulátore a (3) produkte používajúcom akumulátor.**
2. **Akumulátor nerozoberajte.**
3. **Ak sa doba prevádzky príliš skráti, ihneď prerušte prácu.** Môže nastať riziko prehriatia, možných popálením či dokonca explózie.
4. **V prípade zasiahnutia oči elektrolytom ich vypláchnite čistou vodou a okamžite vyhľadajte lekársku pomoc.** Môže dôjsť k strate zraku.

5. **Akumulátor neskratujte:**
 - (1) **Nedotýkajte sa konektorov žiadnym vodičným materiálom.**
 - (2) **Neskladujte akumulátor v obale s inými kovovými predmetmi, napríklad klincami, mincami a pod.**
 - (3) **Akumulátor nevystavujte vode ani dažďu. Skrat akumulátora môže spôsobiť veľký tok prúdu, prehriate, možné popálenie či dokonca poruchu.**
6. **Neskladujte nástroj ani akumulátor na miestach s teplotou presahujúcou 50 °C (122 °F).**
7. **Akumulátor nespáľujte, ani keď je vážne poškodený alebo úplne opotrebovaný. Akumulátor môže v ohni explodovať.**
8. **Dávajte pozor, aby akumulátor nespadol, a nevystavujte ho nárazom.**
9. **Nepoužívajte poškodený akumulátor.**
10. **Lítium-iónové akumulátory, ktoré sú súčasťou náradia, podliehajú požiadavkám legislatívy o nebezpečnom tovare.**

V prípade obchodnej prepravy, napr. dodanie tretími stranami či špeditéri, sa musia dodržiavať špeciálne požiadavky na zabalenie a označenie. Pred prípravou položky na odoslanie sa vyžaduje konzultácia s odborníkom na nebezpečný materiál. Taktiež treba dodržiavať potenciálne podrobnejšie predpisy príslušnej krajiny.

Prelepte alebo zakryte otvorené kontakty a zabaľte akumulátor tak, aby sa v balíku nemohol voľne pohybovať.

11. **Akumulátor zlikvidujte v súlade s miestnymi nariadeniami.**
12. **Akumulátory používajte iba s výrobkami uvedenými spoločnosťou Makita. Inštalácia akumulátorov do nevyhovujúcich výrobkov môže spôsobiť požiar, nadmerné teplo, výbuch alebo únik elektrolytov.**

TIETO POKYNY USCHOVAJTE.

⚠️ POZOR: Používajte len originálne akumulátory od spoločnosti Makita. Používanie batérií, ktoré nie sú od spoločnosti Makita, alebo upravených batérií môže spôsobiť výbuch batérie a následný požiar, zranenie osôb alebo poškodeniu majetku. Následkom bude aj zrušenie záruky od spoločnosti Makita na nástroj a nabíjačku od spoločnosti Makita.

Rady na udržanie maximálnej životnosti akumulátora

1. **Akumulátor nabíjajte ešte predtým, ako sa úplne vybije. Vždy prerušite prácu s nástrojom a nabíjajte akumulátor, keď spozorujete nižší výkon nástroja.**
2. **Nikdy nenabíjajte plne nabitý akumulátor. Prebíjanie skraca životnosť akumulátora.**
3. **Akumulátor nabíjajte pri izbovej teplote 10 °C – 40 °C (50 °F – 104 °F). Pred nabíjaním nechajte horúci akumulátor vychladnúť.**
4. **Lítium-iónový akumulátor nabíjajte, ak ste ho nepoužívali dlhšie ako šesť mesiacov.**

OPIS FUNKCIÍ

⚠️ POZOR: Pred úpravou alebo kontrolou funkčnosti nástroja vždy skontrolujte, či je nástroj vypnutý a akumulátor je vybratý.

Inštalácia alebo demontáž akumulátora

⚠️ POZOR: Pred inštaláciou alebo vybratím akumulátora nástroj vždy vypnite.

⚠️ POZOR: Pri inštalovaní a vyberaní akumulátora pevne uchopíte nástroj a akumulátor. Ak nástroj a akumulátor pevne neuchopíte, môže to mať za následok vyšmyknutie z vašich rúk s dôsledkom poškodenia nástroja a akumulátora, ako aj osobných poranení.

► **Obr.1:** 1. Červený indikátor 2. Tlačidlo 3. Akumulátor

Ak chcete vybrať akumulátor, vysuňte ho z nástroja, pričom posuňte tlačidlo na prednej strane akumulátora.

Akumulátor vložte tak, že jazýček akumulátora zarovnáte s drážkou v kryte a zasuniete ho na miesto. Zatlačte ho úplne, kým zakliknutím nezapadne na miesto. Ak vidíte červený indikátor na hornej strane tlačidla, nie je správne zapadnutý.

⚠️ POZOR: Akumulátor vždy nainštalujte úplne, až kým nie je vidieť červený indikátor. V opačnom prípade môže náhodne vypadnúť z nástroja a ublížiť vám alebo osobám v okolí.

⚠️ POZOR: Pri inštalovaní akumulátora nepoužívajte silu. Ak sa akumulátor nedá zasunúť ľahko, nevkladáte ho správne.

Indikácia zvyšnej kapacity akumulátora

Len na akumulátory s indikátorom

► **Obr.2:** 1. Indikátory 2. Tlačidlo kontroly

Stlačením tlačidla kontroly na akumulátore zobrazíte zostávajúcu kapacitu akumulátora. Indikátory sa na niekoľko sekúnd rozsvietia.

Indikátory			Zostávajúca kapacita
Svieti	Nesvieti	Bliká	
■ ■ ■ ■	□ □ □ □	▬	75 % až 100 %
■ ■ ■ □	□ □ □ □	▬	50 % až 75 %
■ ■ □ □	□ □ □ □	▬	25 % až 50 %
■ □ □ □	□ □ □ □	▬	0 % až 25 %
▬ □ □ □	□ □ □ □	▬	Akumulátor nabíjate.
■ ■ □ □	□ □ □ □	▬	Akumulátor je možno chybný.
□ □ ■ ■	□ □ □ □	▬	

POZNÁMKA: V závislosti od podmienok používania a v závislosti od okolitej teploty sa môže zobrazenie mierne odlišovať od skutočnej kapacity.

System na ochranu nástroja/akumulátora

Nástroj je vybavený systémom ochrany nástroja/akumulátora. Tento systém automaticky vypne napájanie motora s cieľom predlížiť životnosť nástroja a akumulátora. Nástroj sa počas prevádzky automaticky zastaví v prípade, ak sa nástroj alebo akumulátor dostanú do jedného z nasledujúcich stavov:

Ochrana proti preťaženiu

Keď sa akumulátor používa spôsobom, ktorý spôsobuje nadmerný odber prúdu, nástroj sa automaticky zastaví a na zobrazovacom paneli sa zobrazí príslušné číslo chyby. V tejto situácii vypnite nástroj a ukončíte prácu, ktorá spôsobuje jeho preťažovanie. Potom nástroj zapnutím znova spustíte.

Ochrana pred prehrievaním

Ak je nástroj alebo akumulátor prehriaty, nástroj sa automaticky zastaví a na zobrazovacom paneli sa zobrazí číslo chyby. V takomto prípade nechajte nástroj a akumulátor pred opätovným spustením vychladnúť.

Ochrana pred nadmerným vybitím

Keď kapacita akumulátora nie je dostatočná, nástroj sa automaticky zastaví a na zobrazovacom paneli sa zobrazí číslo chyby. V takom prípade vyberte akumulátor z nástroja a nabite ho.

Hlavný vypínač

▲POZOR: Keď zapínate napájanie, nikdy neumiestňujte končatiny ani tvár do blízkosti viazacích, ani otáčajúcich sa súčastí zakončenia nástroja. V opačnom prípade môže dôjsť k ublíženiu na zdraví.

▲POZOR: Keď je zapnuté napájanie, nikdy sa nedotýkajte viazacích ani otáčajúcich sa súčastí zakončenia nástroja. V opačnom prípade môže dôjsť k ublíženiu na zdraví.

▲POZOR: Kým vložíte akumulátor, uistite sa, že ste uvoľnili prsty zo spúšťacieho spínača a zablokovali spúšť. Ak akumulátor vložíte v čase, keď je potiahnutý spúšťací spínač, môže dôjsť k nehode v prípade, ak sa nedopatrením vykoná proces viazania drôtom.

► Obr.3

Keď stlačíte napájacie tlačidlo, napájanie sa zapne a rozsvieti sa indikátor režimu viazania. Nástroj sa uvedie do dočasnej prevádzky, aby upravil svoju východiskovú polohu. Po dokončení nastavenia sa nástroj automaticky zastaví. Keď stlačíte napájacie tlačidlo, napájanie sa vypne a zhasne indikátor režimu viazania.

► **Obr.4:** 1. Indikátor režimu viazania 2. Hlavný vypínač

POZNÁMKA: Tento nástroj disponuje funkciou automatického vypnutia. Ak sa spúšťací spínač nepotiahne 10 minút, nástroj sa automaticky vypne, aby znížil spotrebu energie z akumulátora.

POZNÁMKA: Ak chcete nástroj reštartovať, znova zapnite napájanie.

Tlačidlo prepínania režimov

Keď sa napájanie zapne a rozsvieti sa indikátor režimu viazania, tlačidlom prepínania režimov môžete vybrať režim jednorazovej aktivácie alebo režim kontinuálnej aktivácie. Keď napájanie znova zapnete, nástroj sa spustí v režime, ktorý bol naposledy zvolený.

► **Obr.5:** 1. Tlačidlo prepínania režimov 2. Režim jednorazovej aktivácie 3. Režim kontinuálnej aktivácie

Zapínanie

▲VAROVANIE: Pred vložením akumulátora do nástroja sa vždy presvedčíte, či spúšťací spínač funguje správne a po uvoľnení sa vráti do pozície „OFF“.

▲POZOR: Keď s nástrojom nepracujete, stlačte zaisťovacie tlačidlo spínača na strane A, čím uzamknete spúšťací spínač v polohe OFF (VYP.).

► **Obr.6:** 1. Spúšťací spínač 2. Zaisťovacie tlačidlo spínača

Spúšťací spínač je pred náhodným stlačením chránený zaisťovacím tlačidlom spínača. Ak chcete nástroj spustiť, stlačte zaisťovacie tlačidlo spínača na strane A a potiahnite spúšťací spínač. Nástroj zastavíte uvoľnením spúšťacieho spínača. Po použití zatlačte zaisťovacie tlačidlo spínača zo strany B.

Keď potiahnete spúšťací spínač, nástroj vykoná nasledujúce sekvenčné operácie a nástroj sa automaticky zastaví.

1. Privedenie drôtu.
2. Zrezanie drôtu.
3. Háčik pridrží a pretočí drôt.
4. Háčik sa vráti do pôvodnej polohy.

Nastavenie pevnosti viazania

▲POZOR: Kým začnete s nastavovaním, zablokujte spúšť. Keď zapínate napájanie, nikdy neumiestňujte končatiny ani tvár do blízkosti viazacích, ani otáčajúcich sa súčastí zakončenia nástroja. V opačnom prípade môže dôjsť k ublíženiu na zdraví.

► Obr.7

Pevnosť viazania je možné nastaviť konfiguráciou nastavovacieho tlačidla pevnosti viazania. Pevnosť viazania sa zobrazuje na zobrazovacom paneli.

► **Obr.8:** 1. Nastavovacie tlačidlo pevnosti viazania 2. Zobrazovací panel

Ak dôjde k zlomeniu drôtu, pevnosť viazania pomínie. Po zviazaní skontrolujte, či pretočená časť nie je zlomená.

Ak je drôt zlomený, pomocou nastavovacieho tlačidla pevnosti viazania nastavte pevnosť viazania a vystužovacie tyče zviažte znova.

Oznámenie o zostávajúcej kapacite akumulátora

Keď napätie akumulátora klesne pod požadovanú úroveň, nástroj prestane fungovať, bude znieť chybová zvuková signalizácia a na zobrazovacom paneli sa zobrazí číslo „4“. Chybová zvuková signalizácia bude ďalej znieť až do vypnutia napájania.

POZNÁMKA: Ak je teplota prostredia mimoriadne nízka, chybová zvuková signalizácia môže znieť aj vtedy, keď je akumulátor dostatočne nabitý.

ZOSTAVENIE

⚠ POZOR: Pred vykonaním akejkoľvek práce na nástroji vždy skontrolujte, či je nástroj vypnutý a akumulátor je vybratý.

Vkladanie viazacieho drôtu (cievky na drôt)

⚠ POZOR: Pred montážou alebo demontážou viazacích drôtov a príslušenstva vypnite napájanie, zablokujte spúšť a odstráňte akumulátor. V opačnom prípade môže dôjsť k nehode.

UPOZORNENIE: Používanie iných ako originálnych viazacích drôtov Makita (žihané drôty) môže spôsobiť poruchu nástroja.

1. Potlačte uvoľňovaciu páčku a zaistite poistnú páčkou.

► **Obr.9:** 1. Uvoľňovacia páčka 2. Poistná páčka

Keď potlačíte uvoľňovaciu páčku, medzi ľavým a pravým prírodným prevodom vznikne medzera.

► **Obr.10:** 1. Uvoľňovacia páčka 2. Poistná páčka 3. Prírodné prevody

2. Odlepte pásku, ktorá drží drôt a vyťahnite von koniec drôtu.

► **Obr.11:** 1. Páska 2. Koniec drôtu

3. Otvorte kryt cievky.

► **Obr.12:** 1. Kryt cievky

4. Cievku s drôtom namontujte do nástroja s orientáciou znázornenou na obrázku.

► **Obr.13:** 1. Cievka s drôtom

UPOZORNENIE: Cievku s drôtom namontujte s orientáciou znázornenou na obrázku. Ak sa namontuje opačne, drôt sa uvoľní a môže sa pretočiť.

5. Vyrovnajte koniec drôtu a prestrčte ho cez vodidlo.

► **Obr.14:** 1. Vodidlo

POZNÁMKA: Ak je koniec drôtu ohnutý pri prechode cez vodidlo, môže sa zaseknúť v nástroji.

POZNÁMKA: Ak budete tlačiť na drôt pri pokuse o jeho prestrčenie cez vodidlo, drôt sa môže zaseknúť.

6. Drôt vyťahnite približne 10 mm od konca ramena.

► **Obr.15:** 1. Rameno 2. Približne 10 mm

UPOZORNENIE: Ak je dĺžka vyťahnutého drôtu nedostatočná, drôt sa môže pri viazaní zlomiť alebo sa pre nedostatočné vinutie môže narušiť pevnosť viazania.

7. Odstráňte všetku pásku, ktorá drží drôt.

► **Obr.16**

8. Drôt znovo naviňte, aby ste ho napli.

► **Obr.17**

9. Uvoľníte poistnú páčku. Uvoľňovacia páčka sa vráti a drôt bude držať ľavý a pravý prevod.

► **Obr.18:** 1. Uvoľňovacia páčka 2. Poistná páčka

► **Obr.19:** 1. Prevod 2. Dráha drôtu 3. Drôt

UPOZORNENIE: Keď sa zaist'ovacia páčka uvoľní a keď do seba zapadne ľavý a pravý prevod, drážky na prevodoch vytvoria priestor. Tento priestor sa stane dráhou pre drôt. Uistite sa, že drôt prejde cez túto dráhu.

10. Zavrite kryt cievky.

► **Obr.20:** 1. Kryt cievky

PREVÁDZKA

Kontrola pred prácou

⚠ POZOR: Ak má nástroj problém týkajúci sa bezpečnostného mechanizmu, nepoužívajte ho. Ak ho budete ďalej používať, môže dôjsť k nehode.

Pred použitím nástroja sa uistite, že bezpečnostný mechanizmus riadne funguje. Ak nástroj funguje bez prevádzky bezpečnostného mechanizmu, nástroj okamžite prestaňte používať. Požiadajte miestne servisné stredisko spoločnosti Makita o opravu.

Kontrola zaist'ovacieho tlačidla spínača

Nástroj je vybavený zaist'ovacím tlačidlom spínača, ktorý zabráňuje v uvedení nástroja do prevádzky v čase, keď ho nechcete používať. Zablokujte spínač a uistite sa, že spúšťací spínač sa nedá potiahnuť.

Kontrola vlnitého vodidla

Aby sa obsluha zabránilo v neželanom dotyku viazacích alebo otáčajúcich sa súčastí, nástroj sa neuvedie do činnosti dokonca ani v prípade, ak sa spúšťací spínač potiahne v čase, keď je vlnité vodidlo otvorené. Keď obsluha uvoľní prst zo spúšťacieho spínača a zavrie vlnité vodidlo, nástroj je pripravený na obsluhu.

► **Obr.21:** 1. Vlnité vodidlo

Kontrola detekcie otvoreného/ zatvoreného vlnitého vodidla

Odstráňte viazací drôt, skontrolujte prevádzku nástroja podľa nasledujúcich pokynov a uistite sa, že nástroj sa nespustí, ak je otvorené vlnité vodidlo.

1. Vypnite napájanie a vlnité vodidlo ponechajte otvorené.
2. Zapnite napájanie.

Ak sa nástroj neuvedie do prevádzky a ak je hodnota „2“ zobrazená na zobrazovacom paneli, stav nástroja je normálny. Vypnite napájanie a zavrite vlnité vodidlo.

Ak sa nástroj uvedie do prevádzky a na zobrazovacom paneli sa nezobrazí žiadna chyba, stav nástroja je chybný. Nástroj okamžite prestaňte používať a požiadajte miestne autorizované servisné stredisko Makita o opravu.

▲POZOR: Ak otvárate vlnité vodidlo a zapínate napájanie, aby ste skontrolovali zámku, vlnité vodidlo držte podľa znázornenia na obrázku. Nikdy neumiestňujte končatiny ani tvár do blízkosti viazacích ani otáčajúcich sa súčastí zakončenia nástroja. V opačnom prípade môže dôjsť k ublíženiu na zdraví.

► Obr.22

Viazanie

▲POZOR: Kým vložíte akumulátor, uistite sa, že ste uvoľnili prsty zo spúšťacieho spínača a zablokovali spúšť. Ak akumulátor vložíte v čase, keď je potiahnutý spúšťací spínač, môže dôjsť k nehode v prípade, ak sa nedopatrením vykoná proces viazania drôtom.

▲POZOR: Keď zapínate napájanie, nikdy neumiestňujte končatiny ani tvár do blízkosti viazacích, ani otáčajúcich sa súčastí zakončenia nástroja. V opačnom prípade môže dôjsť k ublíženiu na zdraví.

▲POZOR: Keď je zapnuté napájanie, nikdy sa nedotýkajte viazacích ani otáčajúcich sa súčastí zakončenia nástroja. V opačnom prípade môže dôjsť k ublíženiu na zdraví.

► Obr.23

Príprava pred prácou

1. Uistite sa, že akumulátor je vybratý a spúšť je zaistená.
2. Do nástroja vložte akumulátor a zapnite napájanie. Keď zapnete napájanie, drôt sa automaticky odreže.

UPOZORNENIE: Po zapnutí napájania si overte, či sa rozsvietil indikátor režimu viazania. Ak sa nerozsvietil, nabíjate akumulátor.

3. Uvoľnite poistku spúšťača.
- Obr.24: 1. Zaisťovacie tlačidlo spínača 2. Spúšťací spínač 3. Hlavný vypínač 4. Indikátor režimu viazania

Režim jednorazovej aktivácie

1. Rameno pevne pritlačte o bod viazania. Nástroj vertikálne pritlačte voči vystužovacím tyčiam a ramená tlačte voči bodu, kde vystužovacie tyče prechádzajú naprieč v 45° uhle.

► Obr.25

2. Raz potiahnite spúšťací spínač.
3. Drôt sa prevedie a automaticky zreže.
4. Háč drží a pretáča drôt a potom sa vráti do pôvodnej polohy po uviazaní drôtov.

► Obr.26

5. Po uviazaní dávajte pozor, aby ste rameno nezachytili o vystužovacie tyče a nepotiahli nástroj nahor.

▲POZOR: Ak sa drôt zachytil o viazaciú časť zakončenia nástroja, vypnite napájanie nástroja. Zablokujte spúšť, vyberte akumulátor a odstráňte drôt pomocou nástrojov, ako sú kliešte.

► Obr.27

Režim kontinuálnej aktivácie

1. Režim nástroja prepnite z režimu jednorazovej aktivácie do režimu kontinuálnej aktivácie pomocou tlačidla prepínania režimov.

► Obr.28: 1. Tlačidlo prepínania režimov

2. Uvoľnite poistku spúšťača.

3. Pri ťahaní spúšťacieho spínača nástroj vertikálne pritlačte voči vystužovacím tyčiam a ramená tlačte voči bodu, kde vystužovacie tyče prechádzajú naprieč v 45° uhle. Kontaktnú platňu pevne pritlačte o bod viazania. Drôt sa zviaže.

► Obr.29: 1. Kontaktná platňa

4. Po uviazaní dávajte pozor, aby ste rameno nezachytili o vystužovacie tyče a nepotiahli nástroj nahor.

► Obr.30

Upozornenie týkajúce sa práce

- Ak posuniете rameno z viazacej polohy počas procesu viazania drôtom, drôt sa zasekne na háku, čo môže viesť k nesprávnemu zviazaniu.
- Nástroj tlačte o vystužovacie tyče dovtedy, kým sa proces viazania drôtom nedokončí.
- Neprechádzajte na ďalší bod viazania, kým nebol ukončený aktuálny proces viazania drôtom.
- Otáčajúca sa časť zakončenia nástroja (háč) pretáča kábel počas procesu viazania drôtom. Držadlo držte pevne, aby ste svoje telo nenechali stiahnuť nástrojom.
- Počas procesu viazania drôtom sa nedotýkajte drôtov.
- Ak opakujete procesy viazania drôtom v režime jednorazovej aktivácie, úplne uvoľnite prst zo spúšťacieho spínača. Potom pokračujte v obsluhu spúšťacieho spínača.
- Keď potiahnete spúšťací spínač v čase, keď už nezostáva žiaden viazací drôt, zobrazí sa chyba. Vymeňte ho za nový viazací drôt a reštartujte nástroj.

Tipy na viazanie

- Nástroj sklopte pri 45° uhle voči prekríženým tyčiam a zväzujte ich striedavo podľa znázornenia na obrázku.
- **Obr.31**
- Vyhýbajte sa nerovným častiam vystužovacích tyčí.
- **Obr.32**
- Ak je pevnosť viazania nedostatočná, zmeňte orientáciu viazania a vykonajte viazanie dvakrát tak, aby sa pevnosť viazania zvýšila.
- **Obr.33**

UPOZORNENIE: Pri realizácii druhého viazania ohnite zakončenie prvého viazania pred vytvorením druhého viazania. V opačnom prípade môže pri druhom raze dôjsť k vypudeniu drôtu. Môže sa zachytiť o koniec nástroja a môže dôjsť k poškodeniu háku.

Výmena viazacích drôtov

▲POZOR: Pri výmene drôtu vypnite napájanie, zablokujte spúšť a vyberte akumulátor. V opačnom prípade môže dôjsť k nehode.

1. Po spotrebovaní drôtu zaznie zvuková signalizácia chyby a zobrazí sa chyba „1“.
 2. Zaisťíte spúšť, vypnite napájanie a vyberte akumulátor.
 3. Potlačíte uvoľňovaciu páčku a zaisťíte poistnou páčkou.
- **Obr.34:** 1. Uvoľňovacia páčka 2. Poistná páčka
4. Z nástroja vyberte cievku na drôt.

POZNÁMKA: Keď sa drôt spotrebuje bežným spôsobom, na cievke zostane navinutých približne 20 cm drôtu. V tomto stave vymeňte cievku s drôtom za novú.

Ak je ťažké vybrať cievku s drôtom z nástroja, postupujte takto.

1. Do nástroja vložte akumulátor a zapnite napájanie. Nástroj privedie drôt a automaticky ho zreže.
2. Zaisťíte spúšť, vypnite napájanie a vyberte akumulátor.
3. Pomocou nástrojov, ako sú kliešte, odstráňte úlomky drôtu.

ÚDRŽBA

▲POZOR: Pred vykonaním kontroly alebo údržby vždy skontrolujte, či je nástroj vypnutý a akumulátor je vybrať.

UPOZORNENIE: Nepoužívajte benzín, riedidlo, alkohol ani podobné látky. Mohlo by to spôsobiť zmenu farby, deformácie alebo praskliny.

Ak chcete udržať BEZPEČNOSŤ a BEZPORUCHOVOSŤ výrobku, prenechajte opravy, údržbu a nastavenie na autorizované alebo továrenské servisné centrá Makita, ktoré používajú len náhradné diely značky Makita.

Uschovanie šesťhranného imbusového kľúča

Šesťhranný imbusový kľúč sa uskladňuje tak, ako je to znázornené na obrázku.

- **Obr.35:** 1. Šesťhranný imbusový kľúč

Čistenie rezačky

Keď sa nástroj používa dlhý čas, prach a čiastočky drôtu môžu priľnúť k časti rezačky. V tomto prípade rezačku rozoberte a vyčistite podľa nasledujúcich pokynov. Ak sa drôt zachytí v časti rezačky, je možné ho odstrániť uplatnením rovnakého postupu.

Rozobratie a vyčistenie

1. Povoľte skrutky A a B pomocou šesťhranného imbusového kľúča obsiahnutého v balení nástroja.
- **Obr.36:** 1. Skrutka A 2. Skrutka B 3. Kryt kontaktnej platne 4. Vodidlo drôtu B

UPOZORNENIE: Žiadne skrutky, ktoré sa nedajú odstrániť pomocou šesťhranného imbusového kľúča, neodstraňujte násilím.

2. Kryt kontaktnej platne potiahnite nahor v smere šípky a odstráňte ho. Skrutka B sa odstráni v rovnakom čase.
- **Obr.37:** 1. Kryt kontaktnej platne 2. Skrutka B
3. Odstráňte skrutku A a odstráňte vodidlo drôtu B.
- **Obr.38:** 1. Skrutka A 2. Vodidlo drôtu B
4. Kryt drôtu B otočte naopak a vyčistite jeho vnútro.
- **Obr.39**
5. Odstráňte rezačku A, rezačku B, hornú platňu a prevodové rameno A z platne ramena A. Potom ich vyčistite.
- **Obr.40:** 1. Rezačka B 2. Prevodové rameno A 3. Rezačka A 4. Platňa ramena A 5. Horná platňa

Montáž

Po dokončení čistenia jednotlivé diely zmontujte podľa nasledujúcich pokynov.

1. Rezačku A a prevodové rameno A nainštalujte tak, aby sa zместili do tvaru platne ramena A.
- **Obr.41:** 1. Rezačka A 2. Prevodové rameno A 3. Platňa ramena A
2. Rezačku B a hornú platňu nainštalujte na platňu ramena A. (Rezačku B nainštalujte na rezačku A a prevodové rameno A.)
- **Obr.42:** 1. Rezačka B 2. Horná platňa 3. Platňa ramena A 4. Rezačka A 5. Prevodové rameno A

UPOZORNENIE: Výstupok rezačky B otočte nadol a rezačku nainštalujte podľa znázornenia na obrázku.

3. Zarovnajete rúrku nástroja s drážkou vo vnútri vodidla drôtu B a namontujte ich.
- **Obr.43:** 1. Tyč 2. Drážka 3. Vodidlo drôtu B
4. Vodidlo drôtu B upevnite dočasným zatiahnutím skrutky A.
- **Obr.44:** 1. Skrutka A 2. Vodidlo drôtu B

5. Kryt kontaktnej platne nainštalujte v smere šípky.

► **Obr.45:** 1. Kryt kontaktnej platne

6. Vodidlo drôtu B a kryt kontaktnej platne bezpečne upevnite zatahnutím skrutky A a skrutky B.

► **Obr.46:** 1. Vodidlo drôtu B 2. Kryt kontaktnej platne
3. Skrutka A 4. Skrutka B

7. Po montáži si overte, či sa kontaktná platňa môže pohybovať, ako je znázornené na obrázku.

► **Obr.47:** 1. Kontaktná platňa

POZNÁMKA: Ak sa kontaktná platňa zachytí, potlačte ju podľa znázornenia na obrázku.

► **Obr.48**

Chybové zobrazenie a zvuková signalizácia

▲POZOR: Počas kontroly zaistite spúšť, vypnite napájanie a vyberte akumulátor. V opačnom prípade môže dôjsť k nehode.

▲POZOR: Keď zapínate napájanie, nikdy neumiestňujte končatiny ani tvár do blízkosti viazacích, ani otáčajúcich sa súčastí zakončenia nástroja. V opačnom prípade môže dôjsť k ublíženiu na zdraví.

▲POZOR: Keď je zapnuté napájanie, nikdy sa nedotýkajte viazacích ani otáčajúcich sa súčastí zakončenia nástroja. V opačnom prípade môže dôjsť k ublíženiu na zdraví.

▲POZOR: Ak znie zvuková signalizácia chyby alebo dôjde k poruche nástroja, okamžite ho prestaňte používať.

Zvuková signalizácia a zobrazenie chyby

Ak dôjde k chybe, bude znieť zvuková signalizácia chyby a na zobrazovacom paneli sa zobrazí číslo chyby. Pozrite si nasledujúcu tabuľku a vykonajte príslušné kroky. Ak chyba pretrváva, požiadajte o opravu autorizované servisné stredisko Makita.

Zobrazenie	Príznak	Možná príčina	Riešenie
1	Nástroj prestane fungovať.	Minul sa drôt.	Vložte nový viazací drôt.
		Viazací drôt nie je vložený.	Zložte viazací drôt.
		Privádzanie drôtu zlyhalo.	Skontrolujte orientáciu viazacieho drôtu. Vyberte viazací drôt a znovu ho vložte. Vychistite dráhu drôtu.
2	Nástroj prestane fungovať.	Vlnité vodidlo je otvorené.	Zavrite vlnité vodidlo.
3	Nástroj nevykonáva proces viazania v režime kontinuálnej aktivácie.	Došlo k zachyteniu kontaktnej platne.	Uvoľnite kontaktnú platňu, aby nebola zachytená.
4	Nástroj sa nespustí. Nástroj prestane fungovať.	Akumulátor je vybitý. Teplota akumulátora je nezvyčajne vysoká.	Dobite akumulátor. Nechajte akumulátor vychladnúť. Akumulátor vymeňte za nabitý.
5	Nástroj prestane fungovať.	Motor je preťažený.	Zistite príčinu, ktorá bráni v otáčaní motora, a vyriešte problém.
		Porucha motora	
6	Nástroj prestane fungovať.	Teplota nástroja je nezvyčajne vysoká.	Nástroj nechajte vychladnúť.
7	Nástroj sa nespustí. Nástroj prestane fungovať.	Porucha nástroja	Požiadajte o opravu autorizované servisné strediská Makita.

VOLITEL'NÉ PRÍSLUŠENSTVO

▲POZOR: Pre váš nástroj Makita, opísaný v tomto návode, doporučujeme používať toto príslušenstvo a nástavce. Pri použití iného príslušenstva či nástavcov môže hroziť nebezpečenstvo zranenia osôb. Príslušenstvo a nástavce sa môžu používať len na účely pre ne stanovené.

Ak potrebujete bližšie informácie týkajúce sa tohoto príslušenstva, obráťte sa na vaše miestne servisné stredisko firmy Makita.

- Viazací drôt
- Originálna batéria a nabíjačka Makita

POZNÁMKA: Niektoré položky zo zoznamu môžu byť súčasťou balenia nástrojov vo forme štandardného príslušenstva. Rozsah týchto položiek môže byť v každej krajine odlišný.

SPECIFIKACE

Model:	DTR180
Vázací drát (volitelné příslušenství)	ø0,8 mm
Průměr ocelových tyčí, které lze vázat	Od #3 x #3 do (#4 x 2) x (#4 x 2) Od 10 mm x 10 mm do (13 mm x 2) x (13 mm x 2)
Přibližný počet vázání na jednu cívku	Přibližně 120 vázání
Celková délka	304 mm
Jmenovité napětí	14,4/18 V DC
Čistá hmotnost	2,3 – 2,6 kg

- Vzhledem k neustálému výzkumu a vývoji zde uvedené technické údaje podléhají změnám bez upozornění.
- Technické údaje a akumulátor se mohou v různých zemích lišit.
- Hmotnost se může lišit v závislosti na nastavcích a přídatných zařízeních, včetně akumulátoru. Nejlehčí a nejtěžší kombinace, dle EPTA-Procedure 01/2014, jsou uvedeny v tabulce níže.

Použitelný akumulátor a nabíječka

Akumulátor	Model 14,4 V	BL1415N / BL1430 / BL1430B / BL1440 / BL1450 / BL1460B
	Model 18 V	BL1815N / BL1820 / BL1820B / BL1830 / BL1830B / BL1840 / BL1840B / BL1850 / BL1850B / BL1860B
Nabíječka		DC18RC / DC18RD / DC18RE / DC18SD / DC18SE / DC18SF

- V závislosti na regionu vašeho bydliště nemusí být některé akumulátory a nabíječky k dispozici.

VAROVÁNÍ: Používejte pouze výše uvedené akumulátory a nabíječky. Použití jiných akumulátorů a nabíječek může způsobit zranění a/nebo požár.

Kombinace ocelových tyčí, které lze vázat

Kombinace 2 ocelových tyčí

	#3 (10 mm)	#4 (13 mm)	#5 (16 mm)
#3 (10 mm)	✓	✓	✓
#4 (13 mm)	✓	✓	✓
#5 (16 mm)	✓	✓	✓

Kombinace 3 ocelových tyčí

	#3 x #3 (10 mm x 10 mm)	#4 x #4 (13 mm x 13 mm)
#3 (10 mm)	✓	✓
#4 (13 mm)	✓	✓
#5 (16 mm)	✓	-

Kombinace 4 ocelových tyčí

	#3 x #3 (10 mm x 10 mm)	#4 x #4 (13 mm x 13 mm)
#3 x #3 (10 mm x 10 mm)	✓	✓
#4 x #4 (13 mm x 13 mm)	✓	✓

POZOR: Je-li mezi ocelovými tyčemi mezera, nebo je-li nářadí použito v nesprávném směru, nemusí být možné ocelové tyče svázat.

Symbyoly

Níže jsou uvedeny symbyoly, se kterými se můžete při použití nářadí setkat. Je důležité, abyste dříve, než s ním začnete pracovat, pochopili jejich význam.



Přečtěte si návod k obsluze.



Noste ochranné brýle.



Nevystavujte zařízení dešti.



Při práci s nářadím je nutné udržovat ruce v bezpečné vzdálenosti od drátu a cívk.



Nedávejte ruce do blízkosti špičky nářadí.



Ni-MH
Li-Ion

Pouze pro země EU
Elektrické zařízení ani akumulátor nelikvidujte současně s domovním odpadem! Vzhledem k dodržování evropských směrnic o odpadních elektrických a elektronických zařízeních a směrnice o bateriích, akumulátorech a odpadních bateriích a akumulátorech s jejich implementací v souladu s národními zákony musí být elektrická zařízení, baterie a akumulátory po skončení životnosti odděleně shromážděny a předány do ekologicky kompatibilního recyklačního zařízení.

Účel použití

Nářadí je určeno k vázání ocelových tyčí.

Hlučnost

Typická vážená hladina hluku (A) určená podle normy EN60745-2-18 (EN12549):

Hladina akustického tlaku (L_{pA}): 78 dB(A)

Nejistota (K): 3 dB(A)

Hladina hluku při práci může překročit hodnotu 80 dB (A).

VAROVÁNÍ: Používejte ochranu sluchu.

Vibrace

Celková hodnota vibrací (vektorový součet tří os) určená podle normy EN60745-2-18 (ISO8662-11):

Pracovní režim: Vázání ocelové tyče

Emise vibrací (a_h): 2,5 m/s^2 nebo méně

Nejistota (K): 1,5 m/s^2

POZNÁMKA: Hodnota deklarovaných emisí vibrací byla změněna standardní zkušební metodou a dá se použít k porovnání nářadí mezi sebou.

POZNÁMKA: Hodnotu deklarovaných emisí vibrací lze také použít k předběžnému posouzení míry expozice vibracím.

VAROVÁNÍ: Emise vibrací při používání elektrického nářadí ve skutečnosti se mohou od hodnoty deklarovaných emisí vibrací lišit v závislosti na způsobech použití nářadí.

VAROVÁNÍ: Nezapomeňte stanovit bezpečnostní opatření na ochranu obsluhy podle odhadu expozice ve skutečných podmínkách použití. (Vezměte přitom v úvahu všechny části provozního cyklu, tj. kromě doby zátěže například doby, kdy je nářadí vypnuté a kdy běží naprázdno.)

Prohlášení ES o shodě

Pouze pro evropské země

Prohlášení ES o shodě je obsaženo v Příloze A tohoto návodu k obsluze.

BEZPEČNOSTNÍ VÝSTRAHY

Obecná bezpečnostní upozornění k elektrickému nářadí

VAROVÁNÍ: Přečtěte si všechny bezpečnostní výstrahy i pokyny a prohlédněte si ilustrace a specifikace dodané k tomuto elektrickému nářadí. Nedodržení všech níže uvedených pokynů může vést k úraze elektrickým proudem, požáru či vážnému zranění.

Všechna upozornění a pokyny si uschovejte pro budoucí potřebu.

Pojem „elektrické nářadí“ v upozorněních označuje elektrické nářadí, které se zapojuje do elektrické sítě, nebo elektrické nářadí využívající akumulátory.

Bezpečnostní výstrahy pro akumulátorovou vázačku drátů

1. **Nikdy s nářadím nemířte na osoby. Nikdy nepřibližujte špičku nářadí k rukám či nohám.** Pokud dojde k náhodnému upuštění nářadí, když se něčeho dotýká, povedete to k neočekávané nehodě.
2. **Nevkládejte do nářadí drát, když je zapnuté.** Jinak se můžete o drát zachytit a zranit.
3. **Nepoužívejte nářadí bez zavřeného krytu cívk.** Jinak se může cívka s drátem uvolnit a způsobit nehodu.
4. **Před prací se ujistěte, že jsou průměry vázacích ocelových tyčí v rozmezí kapacity nářadí.**

5. **Noste oděv, který má přilnavé konce nohavic a rukávů. Nepracujte s ručníkem nebo jiným podobným předmětem omotaným kolem krku.** Jinak může dojít k jeho zachycení otáčející se částí nářadí, a to způsobí nehodu.
6. **Před používáním nářadí zkontrolujte následující body.**
 - Zkontrolujte, že žádné části nejsou poškozené
 - Zkontrolujte, že žádné šrouby nejsou povolné
 - Zkontrolujte, že bezpečnostní prvky fungují normálně
7. **Zjistíte-li jakékoliv odchylky, okamžitě přestaňte nářadí používat. Opravu se nepokoušejte provádět sami. Požádejte o opravu v místním servisním středisku firmy Makita.** Je-li nástroj používán v nekompletním stavu, může dojít k nehodě.
8. **Když instalujete akumulátor, nezapomeňte zajistit spoušť a nedávejte na ni prst.** Nesprávné použití může způsobit nehodu.
9. **Při vázání ocelových tyčí dávejte pozor, aby se nehybaly.** Jestliže se v důsledku vázání ocelové tyče hýbou, může dojít ke zranění.
10. **Během vázání se nedotýkejte drátu.** Jinak se můžete o drát zachytit a zranit.
11. **Během vázání nedávejte ruce do blízkosti bodu vázání.** Jinak se můžete o drát zachytit a zranit.
12. **Během vázání pevně držte rukojeť nářadí.** Jinak může dojít k tomu, že se vám může zkroutit zápěstí nebo dojde k zatažení za tělo, což může způsobit zranění.
13. **Nepřecházejte k dalšímu bodu vázání, dokud není momentální vázání dokončeno.** Jinak se můžete zranit.
14. **Během vázání dávejte pozor na konec drátu.** Jinak se vám může ruka zachytit o konec drátu a dojde ke zranění.
15. **Během vázání se nedotýkejte kontaktní desky.** Jestliže je třeba dotknout se kontaktní desky, nejprve zajistěte spoušť nebo vypněte nářadí a vyjměte akumulátor. Jinak se můžete zranit.
16. **Když dokončíte vázání, táhněte nářadí visle nahoru.** Jinak se může ruka zachytit o ocelové tyče a může dojít k nehodě.
17. **Nářadí chraňte před pádem a nevystavujte ho nárazům.** Jestliže dojde před použitím nářadí k silnému nárazu, ujistěte se, že nářadí není poškozené nebo prasklé a že bezpečnostní prvky fungují normálně. Jinak může dojít k nehodě.
18. **Nastane-li některý z následujících jevů, zajistěte spoušť, vypněte nářadí pomocí spínače a vyjměte akumulátor.** Nefunguje-li nářadí správně, může dojít k nehodě.
 - Je-li slyšet zvuk fungování nářadí ihned po vložení akumulátoru.
 - Je-li zjištěno přehřátí nebo neobvyklé zápachy či zvuky.
 - Jestliže provádíte opatření v souvislosti se zobrazením poruchy. (Požádejte místní servisní středisko společnosti Makita o opravu.)
- Při vkládání či vyjímání civky s drátem.
- Když se při práci pohybujete a přitom držíte nástroj.
- Když nářadí nepoužíváte.
- Když kontrolujete nebo seřizujete nářadí.
- Když odstraňujete zkroucený drát.
19. **Když pracujete na lešení, vždy jej řádně stabilizujte a pracujte v pozici, která zajistí rovnováhu těla.** Je-li lešení nestabilní, může dojít k nehodě.
20. **Když pracujete na střeše nebo podobném místě, vždy se pohybujte směrem dopředu, abyste dobře viděli, kam šlapete.** Jestliže se během práce pohnete dozadu, můžete ztratit podporu pod nohama a může dojít k nehodě.
21. **Jestliže pracujete ve velké výšce, ujistěte se, že pod vámi nikdo není, a dávejte pozor, aby vám nářadí během práce neupadlo.** Upuštění nářadí může způsobit nehodu.
22. **Nepoužívejte nástroj pro jiné práce než vázání drátu.** Jinak může dojít k nehodě.
23. **Vždy používejte originální dráty značky Makita.** Jestliže nejsou dráty dlouhou dobu používány, mohou začít korodovat. Zkorodované dráty nepoužívejte. Jinak mohou způsobit nehodu.
24. **Po uvázání zkontrolujte možné prasknutí drátu způsobené přílišným otočením.** Jsou-li nějaké dráty prasklé, vázací síla bude ztracena. Upravte vázací sílu a ocelové tyče znovu uvažte.
25. **Pevně položte rameno proti ocelovým tyčím.** Není-li rameno v bezpečné pozici, může se mezi tyčemi vytvořit mezera a vázací síla bude nesprávná.

Důležitá bezpečnostní upozornění pro akumulátor

1. **Před použitím akumulátoru si přečtete všechny pokyny a varovné symboly na (1) nabíječe, (2) akumulátoru a (3) výrobku využívajícím akumulátor.**
2. **Akumulátor nerozebírejte.**
3. **Pokud se příliš zkrátí provozní doba akumulátoru, přerušte okamžitě práci.** V opačném případě existuje riziko přehřívání, popálení nebo dokonce výbuchu.
4. **Budou-li vaše oči zasazeny elektrolytem, vypláchněte je čistou vodou a okamžitě vyhledejte lékařskou pomoc.** Může dojít ke ztrátě zraku.
5. **Akumulátor nezkratujte:**
 - (1) **Nedotýkejte se svorek žádným vodivým materiálem.**
 - (2) **Neskladujte akumulátor v nádobě s jinými kovovými předměty, jako jsou hřebíky, mince, apod.**
 - (3) **Nevystavuje akumulátor vodě a dešti.** Zkrat akumulátoru může způsobit velký proudový náraz, přehřátí, možné popálení a dokonce i poruchu.
6. **Neskladujte nářadí a akumulátor na místech, kde může teplota překročit 50 °C (122 °F).**

7. **Nespalujte akumulátor, ani když je vážně poškozen nebo úplně opotřeben. Akumulátor může v ohni vybuchnout.**
8. **Dávejte pozor, abyste akumulátor neupustili ani s ním nenaráželi.**
9. **Nepoužívejte poškozené akumulátory.**
10. **Obsažené lithiium-iontové akumulátory podléhají právním požadavkům na nebezpečné zboží.**

V případě komerční přepravy například externími dopravci je třeba dodržet zvláštní požadavky na balení a značení.

Pro přípravu zboží k přepravě je nutná konzultace s odborníkem na nebezpečný materiál. Dodržíte také případné podrobnější národní předpisy. Odkryté kontakty přelepte izolační páskou či jinak zakryjte a akumulátory zabalte tak, aby se v balení nemohly pohybovat.

11. **Při likvidaci akumulátoru postupujte podle místních předpisů.**
12. **Akumulátor používejte pouze s výrobky specifikovanými společností Makita.** Instalace akumulátoru do nevyhovujících výrobků může způsobit požár, nadměrné zahřívání, explozi nebo únik elektrolytu.

TYTO POKYNY USCHOVEJTE.

⚠️ UPOZORNĚNÍ: Používejte pouze originální akumulátory Makita. Používání neoriginálních nebo upravených akumulátorů může způsobit explozi akumulátoru a následný požár, zranění a jiné poškození. Zaniká tím také záruka společnosti Makita na nářadí a nabíječku Makita.

Typy k zajištění maximální životnosti akumulátoru

1. **Akumulátor nabíjte dříve, než dojde k jeho úplnému vybití. Pokud si povšimnete sníženého výkonu nářadí, vždy jej zastavte a dobijte akumulátor.**
2. **Nikdy nenabíjete úplně nabitý akumulátor. Přebíjení zkracuje životnost akumulátoru.**
3. **Akumulátor dobíjete při pokojové teplotě od 10 °C do 40 °C (50 °F až 104 °F). Před nabíjením nechejte horký akumulátor zchladnout.**
4. **Pokud se akumulátor delší dobu nepoužívá (déle než šest měsíců), je nutno jej dobít.**

POPIS FUNKCÍ

⚠️ UPOZORNĚNÍ: Před nastavováním nářadí nebo kontrolou jeho funkce se vždy přesvědčte, zda je vypnuté a je vyjmutý akumulátor.

Nasazení a sejmutí akumulátoru

⚠️ UPOZORNĚNÍ: Před nasazením či sejmutím akumulátoru nářadí vždy vypněte.

⚠️ UPOZORNĚNÍ: Při nasazování či snímání akumulátoru pevně držte nářadí i akumulátor. V opačném případě vám může nářadí nebo akumulátor vyklouznout z rukou a mohlo by dojít k jejich poškození či ke zranění.

► **Obr.1:** 1. Červený indikátor 2. Tlačítko 3. Akumulátor

Chcete-li akumulátor sejmut, vysuňte jej se současným přesunutím tlačítka na přední straně akumulátoru.

Při nasazování akumulátoru vyrovnejte jazyček na bloku akumulátoru s drážkou v krytu a zasuňte akumulátor na místo. Akumulátor zasuňte na doraz, až zacvakne na své místo. Není-li tlačítko zcela zajištěno, uvidíte na jeho horní straně červený indikátor.

⚠️ UPOZORNĚNÍ: Akumulátor zasunujte vždy zcela tak, aby nebyl červený indikátor vidět. Jinak by mohl akumulátor ze zařízení vypadnout a způsobit zranění obsluze či přihlížejícím osobám.










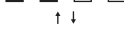
⚠️ UPOZORNĚNÍ: Akumulátor nenasazujte násilím. Nelze-li akumulátor zasunout snadno, nevkládá jej správně.

Indikace zbývajících kapacity akumulátoru

Pouze pro akumulátory s diodovým ukazatelem

► **Obr.2:** 1. Kontrolky 2. Tlačítko kontroly

Stisknutím tlačítka kontroly na akumulátoru zjistíte zbývajících kapacitu akumulátoru. Kontrolky indikátoru se na několik sekund rozsvítí.

Kontrolky			Zbývajících kapacita
 Svítí	 Nesvítí	 Bliká	
			75 % až 100 %
			50 % až 75 %
			25 % až 50 %
			0 % až 25 %
			Nabíjete akumulátor.
			Došlo pravděpodobně k poruše akumulátoru.
			

POZNÁMKA: Kapacita udávaná indikátorem se může mírně lišit od skutečné kapacity v závislosti na podmínkách používání a teplotě prostředí.

System ochrany náradí a akumulátoru

Náradí je vybaveno systémem ochrany náradí a akumulátoru. Tento systém automaticky přeruší napájení motoru, aby se prodloužila životnost náradí a akumulátoru. Budou-li náradí nebo akumulátor vystaveny některé z níže uvedených podmínek, náradí se během provozu automaticky vypne:

Ochrana proti přetížení

Když se akumulátor používá způsobem, který způsobuje nadměrný odběr proudu, náradí se automaticky zastaví a na displeji se objeví odpovídající chybový kód. V takové situaci náradí vypněte a ukončete činnost, při níž došlo k přetížení náradí. Potom náradí zapněte a obnovte činnost.

Ochrana proti přehřátí

Jestliže jsou náradí nebo akumulátor přehřáté, náradí se automaticky zastaví a na displeji se objeví odpovídající chybový kód. V takovém případě nechte náradí a akumulátor před opětovným zapnutím vychladnout.

Ochrana proti přílišnému vybití

Není-li akumulátor dostatečně nabitý, náradí se automaticky zastaví a na displeji se objeví odpovídající chybový kód. V takovém případě vyjměte akumulátor z náradí a nabijte jej.

Hlavní spínač napájení

⚠️ UPOZORNĚNÍ: Když zapínáte náradí, udržujte údy a obličej mimo vázací a otáčející se části špičky náradí. Jinak se můžete zranit.

⚠️ UPOZORNĚNÍ: Když je náradí zapnuté, nikdy se nedotýkejte vázacích či otáčejících se částí špičky náradí. Jinak se můžete zranit.

⚠️ UPOZORNĚNÍ: Před vkládáním akumulátoru se ujistěte, že máte prsty mimo spoušť a ta je zajištěna. Jestliže vložíte akumulátor v době, kdy je stisknuta spoušť, může to způsobit nehodu, když se náhodně provede vázání drátu.

► Obr.3

Když stisknete hlavní vypínač, náradí se zapne a rozsvítí se kontrolka režimu vázání. Náradí krátce zapracuje, aby se seřídilo do výchozí polohy. Jakmile je seřízení hotové, náradí se automaticky zastaví. Když stisknete hlavní vypínač znovu, náradí se vypne a zhasne kontrolka režimu vázání.

► **Obr.4:** 1. Kontrolka režimu vázání 2. Tlačítko napájení

POZNÁMKA: Toto náradí disponuje funkcí automatického vypnutí. Není-li spoušť stisknuta po dobu 10 minut, náradí se automaticky vypne, aby se šetřila kapacita akumulátoru.

POZNÁMKA: Chcete-li náradí znovu spustit, znovu jej zapněte pomocí hlavního vypínače.


Tlačítko přepínání režimu

Když je náradí zapnuté a svítí kontrolka režimu vázání, můžete pomocí tlačítka přepínání režimu zvolit jednorázový nebo kontinuální režim. Když náradí znovu zapnete, spustí se v posledním zvoleném režimu.

► **Obr.5:** 1. Tlačítko přepínání režimu 2. Jednorázový režim 3. Kontinuální režim

Používání spouště

⚠️ VAROVÁNÍ: Před vložením akumulátoru do náradí vždy zkontrolujte správnou polohu spouště, a zda se po uvolnění vrací do vypnuté polohy.

⚠️ UPOZORNĚNÍ: Pokud náradí nepoužíváte, zablokujte spoušť ve vypnuté poloze stisknutím zajišťovacího tlačítka ze strany .

► **Obr.6:** 1. Spoušť 2. Zajišťovací tlačítko

K zamezení náhodného stisknutí spouště je zařízení vybaveno zajišťovacím tlačítkem spouště. Náradí spustíte stlačením zajišťovacího tlačítka spouště ze strany A a stisknutím spouště. Chcete-li náradí vypnout, uvolněte spoušť. Po použití vždy zamáčkněte zajišťovací tlačítko ze strany B.

Když stisknete spoušť, náradí provede následující sekvenci operace a poté se automaticky zastaví.

1. Podání drátu.
2. Ustížení drátu.
3. Háč podrží a zkroutí drát.
4. Háč se vrátí do původní polohy.

Nastavení síly vázání

⚠️ UPOZORNĚNÍ: Před nastavením se ujistěte, že je spoušť zajištěna. Když zapínáte náradí, udržujte údy a obličej mimo vázací a otáčející se části špičky náradí. Jinak se můžete zranit.

► **Obr.7**

Sílu vázání lze nastavit pomocí tlačítka pro seřízení síly vázání. Síla vázání je zobrazena na displeji.

► **Obr.8:** 1. Tlačítko pro seřízení síly vázání 2. Displej

Je-li drát prasklý, vázací síla bude ztracena. Po vázání zkontrolujte zkroutěný drát, zda není prasklý.

Je-li drát prasklý, upravte sílu vázání pomocí tlačítka pro seřízení síly vázání a následně ocelové tyče svažte znovu.

Zbývající kapacita akumulátoru

Když napětí v akumulátoru spadne pod požadovanou hladinu, náradí se zastaví, ozve se chybový tón a na displeji se objeví číslo „4“. Chybový tón bude znít, dokud není náradí vypnuto.

POZNÁMKA: Jestliže je okolní teplota velmi nízká, může chybový tón znít, i když má akumulátor dostatečnou kapacitu.

SESTAVENÍ

⚠️ UPOZORNĚNÍ: Před prováděním jakýchkoli prací na nářadí se vždy přesvědčte, zda je vypnuté a je vyjmutý akumulátor.

Podání vázacího drátu (z cívky)

⚠️ UPOZORNĚNÍ: Před montáží a demontáží drátů a příslušenství se ujistěte, že je nářadí vypnuté, jeho spoušť zajištěna a akumulátor vyjmutý. V opačném případě může dojít k nehodě.

POZOR: Použití jiných drátů než originálních drátů značky Makita (žíhané dráty) může způsobit poruchu nářadí.

1. Stiskněte uvolňovací páčku a zajistěte ji pojistnou páčkou.

► **Obr.9:** 1. Uvolňovací páčka 2. Zajišťovací páčka

Když stisknete uvolňovací páčku, vytvoří se mezi levým a pravým podávacím převodem mezera.

► **Obr.10:** 1. Uvolňovací páčka 2. Zajišťovací páčka
3. Podávací převody

2. Odstraňte pásku, která drží drát, a vytáhněte konec drátu ven.

► **Obr.11:** 1. Páska 2. Konec drátu

3. Otevřete kryt cívky.

► **Obr.12:** 1. Kryt cívky

4. Vložte cívku s drátem do nářadí podle směru na obrázku.

► **Obr.13:** 1. Cívka

POZOR: Zkontrolujte, zda jste cívku vložili dle směru na obrázku. Je-li vložena obráceně, drát se uvolní a může se zkroutit.

5. Narovnejte konec drátu a protáhněte ho skrze vodič.

► **Obr.14:** 1. Vodička

POZNÁMKA: Je-li při protahování vodičem drát ohnutý, může se drát v nářadí zaseknout.

POZNÁMKA: Jestliže budete drát protahovat silou, může se zaseknout.

6. Vytáhněte drát zhruba 10 mm od špičky ramene.

► **Obr.15:** 1. Rameno 2. Zhruba 10 mm

POZOR: Je-li délka vytaženého drátu nedostatečná, může se drát při vázání zlomit nebo může být narušena síla vázání.

7. Odstraňte veškerou pásku, která drží drát.

► **Obr.16**

8. Drát znovu navíjete, čímž se eliminuje volnost.

► **Obr.17**

9. Uvolněte zajišťovací páčku. Uvolňovací páčka se vrátí a drát je nyní držen levým a pravým převodem.

► **Obr.18:** 1. Uvolňovací páčka 2. Zajišťovací páčka

► **Obr.19:** 1. Převod 2. Dráha drátu 3. Drát

POZOR: Když je pojistná páčka uvolněna a levý a pravý převod jsou v záběru, drážky v převodech vytvoří prostor. Tento prostor je dráha drátu. Ujistěte se, že je drát protažen touto dráhou.

10. Zavřete kryt cívky.

► **Obr.20:** 1. Kryt cívky

PRÁCE S NÁŘADÍM

Kontroly před prací

⚠️ UPOZORNĚNÍ: Jestliže se na nářadí vyskytne bezpečnostní problém, nepoužívejte ho. Budete-li ho nadále používat, může dojít k nehodě.

Před použitím nástroje se ujistěte, že bezpečnostní mechanismus funguje normálně. Jestliže nářadí funguje i s nefunkčním bezpečnostním mechanismem, okamžitě ho přestaňte používat. Požádejte o opravu v místním servisním středisku firmy Makita.

Kontrola pojistky spouště

Nářadí je vybaveno pojistkou spouště, která mu zabrání v provozu, když ho nechcete používat. Zajistěte spoušť a ověřte si, že ji nelze stisknout.

Kontrola vodiče kroucení

Aby se uživatel nemohl omylem dotknout vázacích a otáčejících se částí špičky nářadí, nebude nářadí fungovat ani při stisknutí spouště, jestliže je vodič kroucení otevřený. Když uživatel pustí prst ze spouště a zavře vodič kroucení, nářadí může znovu fungovat.

► **Obr.21:** 1. Vodič kroucení

Kontrola otevření/zavření vodiče kroucení

Vyjměte vázací drát, zkontrolujte funkčnost nářadí dle následujících kroků a ujistěte se, že se nástroj nespustí, je-li vodič kroucení otevřený.

1. Vypněte nářadí a ponechtejте vodič kroucení otevřený.

2. Zapněte nářadí.

Jestliže se nářadí nespustí a na displeji se objeví číslo „2“, stav nářadí je normální. Vypněte nářadí a zavřete vodič kroucení.

Jestliže se nářadí spustí a na displeji se neobjeví žádná chyba, stav nářadí je nenormální. Nářadí okamžitě přestaňte používat a požádejte místní servisní středisko společnosti Makita o opravu.

⚠️ UPOZORNĚNÍ: Jestliže otevřete vodič kroucení a zapnete nářadí kvůli kontrole zajištění, držte vodič kroucení podle obrázku. Udržujte údy a obličej mimo vázací a otáčející se části špičky nářadí. Jinak se můžete zranit.

► **Obr.22**

Vázání

⚠️ UPOZORNĚNÍ: Před vkládáním akumulátoru se ujistěte, že máte prsty mimo spoušť a ta je zajištěna. Jestliže vložíte akumulátor v době, kdy je stisknuta spoušť, může to způsobit nehodu, když se náhodně provede vázání drátu.

⚠️ UPOZORNĚNÍ: Když zapínáte nářadí, udržujte údy a obličej mimo vázací a otáčející se části špičky nářadí. Jinak se můžete zranit.

⚠️ UPOZORNĚNÍ: Když je nářadí zapnuté, nikdy se nedotýkejte vázacích či otáčejících se částí špičky nářadí. Jinak se můžete zranit.

► Obr.23

Příprava před prací

1. Ujistěte se, že je akumulátor vyjmutý a spoušť zajištěna.
2. Vložte akumulátor do nářadí a zapněte ho. Když nářadí zapnete, drát se automaticky odstříhne.

POZOR: Ujistěte se, že při zapnutí nářadí se rozsvítí kontrolka režimu vázání. Pokud se nerozsvítí, nabijte akumulátor.

3. Uvolněte pojistku spouště.

► Obr.24: 1. Zajišťovací tlačítko 2. Spoušť 3. Tlačítko napájení 4. Kontrolka režimu vázání

Jednorázový režim

1. Zatláčte rameno pevně proti bodu vázání. Zatláčte nářadí svisle proti ocelovému tyčím a přitlačte rameno proti bodu, kde se ocelové tyče kříží v úhlu 45 stupňů.

► Obr.25

2. Stiskněte jednou spoušť.
3. Drát je podán a uříznut automaticky.
4. Háček podrží a zkroutí drát, poté se vrátí do původní polohy poté, co byl drát uvázan.

► Obr.26

5. Po vázání dávejte pozor, aby se rameno nezháčkovalo o ocelové tyče, a zdvihněte nářadí nahoru.

⚠️ UPOZORNĚNÍ: Jestliže se drát zachytí o vázací část špičky nářadí, vypněte nářadí. Zajištěte spoušť, odstraňte akumulátor a odeberte drát pomocí nástrojů, jako jsou například kleště nebo štipačky.

► Obr.27

Kontinuální režim

1. Přepněte nářadí z jednorázového režimu do kontinuálního režimu pomocí tlačítka přepínání režimu.

► Obr.28: 1. Tlačítko přepínání režimu

2. Uvolněte pojistku spouště.

Se stisknutou spouští zatláčte nářadí svisle proti ocelovým tyčím a přitlačte rameno proti bodu, kde se ocelové tyče kříží v úhlu 45 stupňů. Zatláčte na kontaktní desku pevně proti bodu vázání. Drát se utáhne.

► Obr.29: 1. Kontaktní deska

4. Po vázání dávejte pozor, aby se rameno nezháčkovalo o ocelové tyče, a zdvihněte nářadí nahoru.

► Obr.30

Výstrahy při práci

- Jestliže pohnete ramenem z vázací polohy během procesu vázání, drát se zasekne na háček, což může vést k nesprávnému vázání.
- Pokračujte v tlačení nářadí proti ocelovým tyčím, dokud není proces vázání dokončen.
- Nepřecházejte k dalšímu bodu vázání, dokud není momentální vázání dokončeno.
- Otáčející se část špičky nářadí (háček) krouží během vázání drát. Pevně držte rukojeť, aby nedošlo k tomu, že nářadí zatáhne za vaše tělo.
- Během vázání se nedotýkejte drátu.
- Jestliže opakujete procesy vázání drátu v jednorázovém režimu, úplně pusťte prst ze spouště. Poté pokračujte v manipulaci se spouští.
- Jestliže stisknete spoušť, když nezbyvá žádný drát, zobrazí se chyba. Vložte nový vázací drát a restartujte nářadí.

Tipy k vázání

- Nakloňte nářadí do úhlu 45° vzhledem ke zkríženým ocelovým tyčím a proveďte alternativní vázání dle obrázku.

► Obr.31

- Vyhnete se nerovným částem ocelových tyčí.

► Obr.32

- Není-li vázací síla dostatečná, změňte orientaci vázání a proveďte ho podruhé, tak aby se vázací síla zvýšila.

► Obr.33

POZOR: Před druhým vázáním nejprve ohněte ocas prvního vázání. Jinak může být drát znovu odpuzen. Může se zachytit o špičku nářadí a háček se může poškodit.

Výměna vázacího drátu

⚠️ UPOZORNĚNÍ: Před výměnou drátu se ujistěte, že je nářadí vypnuté, jeho spoušť zajištěna a akumulátor vyjmutý. V opačném případě může dojít k nehodě.

1. Když byl drát zcela spotřebován, zazní chybový tón a na displeji se objeví „1“.
 2. Zajištěte spoušť, vypněte nářadí a vyjměte akumulátor.
 3. Stiskněte uvolňovací páčku a zajištěte ji pojistnou páčkou.
- Obr.34: 1. Uvolňovací páčka 2. Zajišťovací páčka
4. Vyjměte cívkou s drátem z nářadí.

POZNÁMKA: Když byl drát spotřebován, zbyvá na cívce obvykle asi 20 cm drátu. V takové situaci vyměňte cívkou za novou.

Je-li výměna cívkou obtížná, postupujte následovně.

1. Vložte akumulátor do nářadí a zapněte ho. Nářadí podá a ustříhne drát automaticky.
2. Zajištěte spoušť, vypněte nářadí a vyjměte akumulátor.
3. Vyjměte úlomky drátu pomocí nástrojů jako štipačky nebo ploché kleště.

ÚDRŽBA

⚠ UPOZORNĚNÍ: Před zahájením kontroly nebo údržby náradí se vždy ujistěte, zda je vypnuté a je vyjmut akumulátor.

POZOR: Nikdy nepoužívejte benzín, benzen, ředidlo, alkohol či podobné prostředky. Mohlo by tak dojít ke změnám barvy, deformacím či vzniku prasklin.

K zachování BEZPEČNOSTI a SPOLEHLIVOSTI výrobku musí být opravy a veškerá další údržba či seřizování prováděny autorizovanými nebo továrními servisními středisky společnosti Makita s využitím náhradních dílů Makita.

Skladování šestihranného klíče

Šestihranný klíč uložte do pozice dle obrázku.

► **Obr.35:** 1. Imbusový klíč

Čištění řezací části

Když je náradí používáno dlouho, mohou se na řezací část zachytit prach a částechy drátu. V takovém případě rozeberte a vyčistěte řezací část podle následujícího postupu.

Je-li v řezací části zachycen drát, lze jej odstranit podle stejného postupu.

Demontáž a čištění

1. Povolte šrouby A a B pomocí šestihranného klíče přiloženého k náradí.

► **Obr.36:** 1. Šroub A 2. Šroub B 3. Kryt kontaktní desky 4. Vodič drátu B

POZOR: Nesnažte se násilně vyjmout jakékoliv šrouby, které nelze odstranit pomocí šestihranného klíče.

2. Vytáhněte kryt kontaktní desky nahoru ve směru šipky a vyjměte ho. Zároveň se odstraní šroub B.

► **Obr.37:** 1. Kryt kontaktní desky 2. Šroub B

3. Vyměňte šroub A a vodič drátu B.

► **Obr.38:** 1. Šroub A 2. Vodič drátu B

4. Otočte vodič drátu B a očistěte jeho vnitřek.

► **Obr.39**

5. Vyměňte řezací část A, řezací část B, horní desku a spojovací rameno A z desky ramena A. Poté je očistěte.

► **Obr.40:** 1. Řezací část B 2. Spojovací rameno A 3. Řezací část A 4. Deska ramena A 5. Horní deska

Montáž

Když je čištění dokončeno, sestavte součásti podle následujícího postupu.

1. Smontujte řezací část A a spojovací rameno A tak, aby odpovídaly tvaru desky ramena A.

► **Obr.41:** 1. Řezací část A 2. Spojovací rameno A 3. Deska ramena A

2. Namontujte řezací část B a horní desku na desku ramena A.

(Namontujte řezací část B na řezací část A a spojovací rameno A.)

► **Obr.42:** 1. Řezací část B 2. Horní deska 3. Deska ramena A 4. Řezací část A 5. Spojovací rameno A

POZOR: Výčnělek řezací části B musí směřovat dolů a řezací část musí být namontována dle obrázku.

3. Srovnejte trubku náradí s drážkou uvnitř vodiče drátu B a poté je sestavte.

► **Obr.43:** 1. Trubka 2. Drážka 3. Vodič drátu B

4. Upevněte dočasně vodič drátu B pomocí šroubu A.

► **Obr.44:** 1. Šroub A 2. Vodič drátu B

5. Namontujte kryt kontaktní desky ve směru šipky.

► **Obr.45:** 1. Kryt kontaktní desky

6. Upevněte vodič drátu B a kryt kontaktní desky utažením šroubů A a B.

► **Obr.46:** 1. Vodič drátu B 2. Kryt kontaktní desky 3. Šroub A 4. Šroub B

7. Po sestavení se ujistěte, že se může kontaktní deska pohybovat dle obrázku.

► **Obr.47:** 1. Kontaktní deska

POZNÁMKA: Je-li kontaktní deska zachycena, stiskněte ji dle obrázku.

► **Obr.48**

Chybový displej a chybový tón

⚠ UPOZORNĚNÍ: Během kontroly zajistěte spoušť, vypněte nářadí a vyjměte akumulátor. V opačném případě může dojít k nehodě.

⚠ UPOZORNĚNÍ: Když zapínáte nářadí, udržujte údy a obličej mimo vázací a otáčející se části špičky nářadí. Jinak se můžete zranit.

⚠ UPOZORNĚNÍ: Když je nářadí zapnuté, nikdy se nedotýkejte vázacích či otáčejících se částí špičky nářadí. Jinak se můžete zranit.

⚠ UPOZORNĚNÍ: Jestliže se ozve chybový tón nebo nářadí nefunguje správně, okamžitě ho přestaňte používat.

Chybový tón a displej

Jestliže nastane nějaká chyba, ozve se chybový tón a na displeji se objeví číslo chyby. Konzultujte následující tabulku a proveďte příslušnou činnost. Jestliže chyba přetrvává, požádejte místní servisní středisko společnosti Makita o opravu.

Displej	Příznak	Možná příčina	Řešení
1	Nářadí přestalo fungovat.	Byl spotřebován drát.	Vložte nový drát.
		Drát není vložen.	Vložte drát.
		Selhalo podávání drátu.	Zkontrolujte orientaci drátu. Vyjměte drát a znovu ho vložte. Očistěte dráhu drátu.
2	Nářadí přestalo fungovat.	Vodič kroucení je otevřený.	Zavřete vodič kroucení.
3	Nářadí neprovádí proces vázání v kontinuálním režimu.	Kontaktní deska se zachytila.	Vyřešte zachycení kontaktní desky.
4	Nářadí se nespustí. Nářadí přestalo fungovat.	Je vybitý akumulátor. Teplota akumulátoru je abnormálně vysoká.	Nabijte akumulátor. Nechte akumulátor vychladnout. Vyměňte akumulátor za úplně nabitý.
5	Nářadí přestalo fungovat.	Motor je přetížený.	Zjistěte příčinu, proč se motor nemůže otáčet, a vyřešte tento problém.
		Porucha motoru	
6	Nářadí přestalo fungovat.	Teplota nářadí je abnormálně vysoká.	Nechte nářadí vychladnout.
7	Nářadí se nespustí. Nářadí přestalo fungovat.	Porucha nářadí	Požádejte autorizované servisní středisko společnosti Makita o opravu.

VOLITELNÉ PŘÍSLUŠENSTVÍ

⚠ UPOZORNĚNÍ: Pro nářadí Makita popsané v tomto návodu doporučujeme používat následující příslušenství a nástavce. Při použití jiného příslušenství či nástavců může hrozit nebezpečí zranění osob. Příslušenství lze používat pouze pro stanovené účely.

Potřebujete-li bližší informace ohledně tohoto příslušenství, obraťte se na místní servisní středisko společnosti Makita.

- Vázací drát
- Originální akumulátor a nabíječka Makita

POZNÁMKA: Některé položky seznamu mohou být k nářadí přibaleny jako standardní příslušenství. Přibalené příslušenství se může v různých zemích lišit.

ТЕХНІЧНІ ХАРАКТЕРИСТИКИ

Модель:	DTR180
В'язальний дріт (додатковий аксесуар)	Ø0,8 мм
Діаметр арматури, яку можна в'язати	Від #3 × #3 до (#4 × 2) × (#4 × 2) Від 10 мм × 10 мм до (13 мм × 2) × (13 мм × 2)
Приблизна кількість вузлів на катушку	Приблизно 120
Загальна довжина	304 мм
Номінальна напруга	14,4/18 В пост. струму
Маса нетто	2,3 – 2,6 кг

- Оскільки наша програма наукових досліджень і розробок триває безперервно, наведені тут технічні характеристики можуть бути змінені без попередження.
- Технічні характеристики приладу та касета з акумулятором можуть відрізнятись в різних країнах.
- Вага може відрізнятись залежно від допоміжного обладнання, наприклад касети з акумулятором. Найлегші та найважчі комплекти, відповідно до стандарту ЕРТА (Європейська асоціація виробників електронструменту) від січня 01/2014 року, представлено в таблиці.

Застосовна касета з акумулятором і зарядний пристрій

Касета з акумулятором	Модель 14,4 В пост. тока	BL1415N / BL1430 / BL1430B / BL1440 / BL1450 / BL1460B
	Модель 18 В пост. тока	BL1815N / BL1820 / BL1820B / BL1830 / BL1830B / BL1840 / BL1840B / BL1850 / BL1850B / BL1860B
Зарядний пристрій		DC18RC / DC18RD / DC18RE / DC18SD / DC18SE / DC18SF

- Деякі касети з акумулятором і зарядні пристрої, які вказано вище, можуть бути недоступними залежно від вашого регіону або місця перебування.

⚠ ПОПЕРЕДЖЕННЯ: Використовуйте лише касети з акумулятором і зарядні пристрої, перелічені вище. Використання будь-яких інших касет з акумулятором і зарядних пристроїв може призвести до травмування й/або пожежі.

Комбінація стрижнів арматури, які можна в'язати

Комбінація 2 стрижнів арматури

	#3 (10 мм)	#4 (13 мм)	#5 (16 мм)
#3 (10 мм)	✓	✓	✓
#4 (13 мм)	✓	✓	✓
#5 (16 мм)	✓	✓	✓

Комбінація 3 стрижнів арматури

	#3 × #3 (10 мм × 10 мм)	#4 × #4 (13 мм × 13 мм)
#3 (10 мм)	✓	✓
#4 (13 мм)	✓	✓
#5 (16 мм)	✓	-

Комбінація 4 стрижнів арматури

	#3 × #3 (10 мм × 10 мм)	#4 × #4 (13 мм × 13 мм)
#3 × #3 (10 мм × 10 мм)	✓	✓
#4 × #4 (13 мм × 13 мм)	✓	✓

УВАГА: Якщо стрижні прилягають один до одного не щільно або якщо інструмент розташовано неправильно, арматура може не зв'язатися.

Символи

Далі наведено символи, які застосовуються для позначення обладнання. Перед користуванням переконайтеся, що ви розумієте їхнє значення.



Читайте інструкцію з експлуатації.



Вдягайте захисні окуляри.



Не залишайте машину під дощем.



Під час використання інструмента не наближайте руки до котушки з дротом або до самого дроту.



Не наближайте руки до робочого органа інструмента.



Ni-MH
Li-Ion

Тільки для країн ЄС
Не викидайте електроприлади або акумуляторні батареї разом із побутовим сміттям!
Згідно з Європейськими директивами про утилізацію електричного та електронного обладнання та про утилізацію батарей і акумуляторів, а також батарей та акумуляторів, термін служби яких закінчився, та їх використанням із дотриманням національних законів, електричне обладнання, батареї та акумулятори, термін служби яких закінчився, потрібно збирати окремо та відправляти на екологічно чисті підприємства з їхньої переробки.

Призначення

Інструмент призначений для в'язання арматури.

Шум

Рівень шуму за шкалою А в типовому виконанні, визначений відповідно до стандарту EN60745-2-18 (EN12549):

Рівень звукового тиску (L_{pA}): 78 дБ (А)

Похибка (К): 3 дБ (А)

Рівень шуму під час роботи може перевищувати 80 дБ (А).

ПОПЕРЕДЖЕННЯ: Користуйтеся засобами захисту органів слуху.

Вібрація

Загальна величина вібрації (векторна сума трьох напрямків) визначена згідно з EN60745-2-18 (ISO8662-11):

Режим роботи: В'язання металевих стрижнів

Вібрація (a_h): 2,5 м/с² або менше

Похибка (К): 1,5 м/с²

ПРИМІТКА: Заявлене значення вібрації було виміряно відповідно до стандартних методів тестування та може використовуватися для порівняння одного інструмента з іншим.

ПРИМІТКА: Заявлене значення вібрації може також використовуватися для попередньої оцінки впливу.

ПОПЕРЕДЖЕННЯ: Залежно від умов використання вібрація під час фактичної роботи електроінструмента може відрізнятись від заявленого значення вібрації.

ПОПЕРЕДЖЕННЯ: Забезпечте належні запобіжні заходи для захисту оператора, що відповідатимуть умовам використання інструмента (слід брати до уваги всі складові робочого циклу, такі як час, коли інструмент вимкнено та коли він починає працювати на холостому ході під час запуску).

Декларація про відповідність стандартам ЄС

Тільки для країн Європи

Декларацію про відповідність стандартам ЄС наведено в Додатку А до цієї інструкції з експлуатації.

ПОПЕРЕДЖЕННЯ ПРО ДОТРИМАННЯ ТЕХНІКИ БЕЗПЕКИ

Загальні застереження щодо техніки безпеки при роботі з електроінструментами

ПОПЕРЕДЖЕННЯ: Уважно ознайомтеся з усіма попередженнями про дотримання правил техніки безпеки, інструкціями, ілюстраціями та технічними характеристиками, що стосуються цього електроінструмента. Невиконання будь-яких інструкцій, перелічених нижче, може призвести до ураження електричним струмом, пожежі та/або тяжких травм.

Збережіть усі інструкції з техніки безпеки та експлуатації на майбутнє.

Термін «електроінструмент», зазначений у інструкції з техніки безпеки, стосується електроінструмента, який функціонує від електромережі (електроінструмент з кабелем живлення), або електроінструмента з живленням від батареї (безпроводний електроінструмент).

Попередження про дотримання правил техніки безпеки під час роботи з акумуляторним пістолетом для в'язання арматури

1. Категорично заборонено направляти інструмент на людей. Не наближайте кінцівки до робочого органа інструмента. Раптове спрацювання інструмента, притуленого до тіла людини, може призвести до нещасного випадку.
2. Не завантажуйте дріт, коли інструмент увімкнено. В іншому разі дріт може затиснути ваші кінцівки й спричинити травми.
3. Не використовуйте інструмент, якщо кришка відсіку для катушок відкрита. В іншому разі катушка може випасти й спричинити травму.
4. До початку роботи обов'язково переконайтеся, що діаметр стрижнів, які потрібно зв'язати, відповідає можливостям інструмента.
5. Під час використання інструмента заборонено носити одяг із рукавами або краями, що нещільно прилягають до тіла. Під час використання інструмента заборонено носити шарф або інші предмети одягу, намотані навколо шиї. В іншому разі вони можуть потрапити на рухомі частини, що призведе до нещасного випадку.
6. Перед використанням інструмента обов'язково переконайтеся, що:
 - частини інструмента не пошкоджені;
 - болти в інструменті надійно затягнуті;
 - запобіжні механізми справно працюють.
7. У разі виявлення несправностей негайно припиніть користування інструментом. Не намагайтеся відремонтувати інструмент самотужки. Зверніться до місцевого сервісного центру компанії Makita для проведення ремонту. Використання інструмента, у якому відсутні деякі деталі, може спричинити травму.
8. У разі встановлення касети з акумулятором обов'язково заблокуйте курок і не кладіть на нього пальці. Раптове спрацювання інструмента може призвести до травм.
9. Під час зв'язування стрижнів будьте обережні, щоб не зсунути їх із місця. Якщо під час зв'язування стрижнів вони зсунуться з місця, може статися нещасний випадок.
10. Під час в'язання арматури не торкайтеся дротів. В іншому разі дріт може затиснути ваші кінцівки й спричинити травми.
11. Під час в'язання арматури не наближайте руки до місця зв'язування. В іншому разі дріт може затиснути ваші кінцівки й спричинити травми.
12. Під час в'язання арматури міцно тримайте інструмент. В іншому разі ваш зап'ясток може повернутися або вас може притягнути до інструмента, що спричинить травму.
13. Починайте в'язати наступний вузол тільки після завершення в'язання попереднього вузла. В іншому разі можна отримати травму.
14. Під час в'язання арматури стежте за кінцем дроту. В іншому разі він може охопити руку й спричинити травму.
15. Під час в'язання арматури не торкайтеся контактної пластини. Перш ніж торкнутися контактної пластини, обов'язково заблокуйте курок або вимкніть інструмент і вийміть касету з акумулятором. В іншому разі можна отримати травму.
16. Після завершення в'язання арматури тягніть інструмент вертикально вгору. В іншому разі рука може застрягнути в арматурі, що призведе до травми.
17. Будьте уважні, щоб не впустити або не вдарити інструмент. Якщо інструмент зазнав сильного удару до початку роботи, переконайтеся у відсутності на ньому тріщин й інших ушкоджень і перевірте його справність. В іншому разі може статися нещасний випадок.
18. У зазначених нижче ситуаціях вимкніть живлення інструмента й вийміть із нього касету з акумулятором. Використання несправного інструмента може призвести до нещасного випадку.
 - Якщо звук роботи починає лунати одразу після встановлення касети з акумулятором.
 - У разі перегріву інструмента або виникнення нетипового запаху / шуму.
 - Перед виконанням будь-яких дій у разі відображення повідомлення про помилку. (Зверніться до місцевого сервісного центру компанії Makita для проведення ремонту.)
 - Перед завантаженням або вийманням катушки дроту.
 - Коли під час роботи ви переходите в інше місце, тримаючи інструмент у руках.
 - Коли інструмент не використовується.
 - Перед перевіркою або налаштуванням інструмента.
 - Перед вийманням застряглого дроту.
19. Стоячи на риштуванні, обов'язково стабілізуйте інструмент і працюйте в положенні, що дозволить вам тримати рівновагу. Якщо риштування не надійне, може статися нещасний випадок.
20. Під час роботи на даху або в подібних місцях рухайтесь лише обличчям вперед, щоб бачити, куди ви крокуєте. Якщо під час роботи рухатися спиною вперед, можна оступитися, що може призвести до нещасного випадку.

21. Під час виконання висотних робіт стежте за тим, щоб під вами не було сторонніх осіб, і будьте уважні, щоб не випустити інструменти. В іншому разі може статися нещасний випадок.
22. Інструмент дозволено використовувати виключно для в'язання арматури. В іншому разі може статися нещасний випадок.
23. Використовуйте лише оригінальні дроти Makita. Якщо дріт довго не використовувався, він може заржавіти. Не використовуйте іржаві дроти. В іншому разі може статися нещасний випадок.
24. Після в'язання вузла перевірте, чи не луснув дріт через надмірне закручування. Якщо дріт луснув, зв'язування не можна вважати якісним. Відрегулюйте зусилля стягування й знову зв'яжіть арматуру.
25. Правильно розташуйте напрямну насадку навпроти стрижнів арматури. Якщо розташувати насадку неправильно, між стрижнями може залишитися зазор, що завадить їх якісному зв'язуванню.
10. Літій-іонні акумулятори, що містяться в інструменті, мають відповідати вимогам законів про небезпечні товари. Під час транспортування за допомогою комерційних перевезень, наприклад із залученням третьої сторони та експедиторів, необхідно дотримуватись особливих вимог, вказаних на пакуванні й у маркуванні. Під час підготування позиції до відправлення необхідно проконсультуватись із спеціалістом з небезпечних матеріалів. Крім того, слід виконувати більш докладні національні настанови, якщо такі є. Заклейте відкриті контакти стрічкою або заховайте їх і запакуйте акумулятор таким чином, щоб він не міг рухатися в пакуванні.
11. Дотримуйтеся норм місцевого законодавства щодо утилізації акумуляторів.
12. Використовуйте акумулятори лише з виробами, указаними компанією Makita. Установлення акумуляторів у невідповідні вироби може призвести до пожежі, надмірного нагрівання, вибуху чи витoku електроліту.

Важливі інструкції з безпеки для касети з акумулятором

1. Перед тим як користуватися касетою з акумулятором, слід прочитати всі інструкції та застережні знаки щодо (1) зарядного пристрою акумулятора, (2) акумулятора та (3) виробів, що працюють від акумулятора.
2. Не слід розбирати касету з акумулятором.
3. Якщо період роботи дуже покоротшав, слід негайно припинити користування. Це може призвести до виникнення ризику перегріву, опіку та навіть вибуху.
4. У разі потрапляння електроліту в очі слід промити їх чистою водою та негайно звернутися до лікаря. Це може призвести до втрати зору.
5. Не закоротіть касету з акумулятором.
 - (1) Не слід торкатися клем будь-яким струмопровідним матеріалом.
 - (2) Не слід зберігати касету з акумулятором у ємності з іншими металевими предметами, такими як цвяхи, монети тощо.
 - (3) Не залишайте касету з акумулятором під дощем, запобігайте контакту з водою.
 Коротке замикання може призвести до появи значного струму, перегріву, можливих опіків та навіть виходу з ладу.
6. Не слід зберігати інструмент та касету з акумулятором в місцях, де температура може сягнути чи перевищити 50°C (122°F).
7. Не слід спалювати касету з акумулятором, навіть якщо вона була неодноразово пошкоджена або повністю спрацьована. Касета з акумулятором може вибухнути у вогні.
8. Не слід кидати або ударяти акумулятор.
9. Не слід використовувати пошкоджений акумулятор.

ЗБЕРІГАЙТЕ ЦІ ВКАЗІВКИ.

⚠ОБЕРЕЖНО: Використовуйте тільки акумулятори Makita. Використання акумуляторів, інших ніж оригінальні акумулятори Makita, або акумуляторів, конструкцію яких було змінено, може призвести до вибуху акумулятора і спричинити пожежу, травму або пошкодження. У зв'язку з цим також буде анульовано гарантію Makita на інструмент Makita і на зарядний пристрій.

Поради з забезпечення максимального строку експлуатації акумулятора

1. Касету з акумулятором слід заряджати до того, як він розрядиться повністю. Завжди слід зупиняти роботу інструмента та зарядити акумулятор, якщо ви помітили зменшення потужності інструмента.
2. Ніколи не слід заряджати повторно повністю заряджену касету з акумулятором. Перезарядження скорочує строк експлуатації акумулятора.
3. Заряджайте касету з акумулятором при кімнатній температурі 10°C—40°C (50°F—104°F). Перед тим як заряджати касету з акумулятором, слід зачекати, доки вона охолоне.
4. Якщо касета з акумулятором не використовувалася тривалий час (понад шість місяців), її слід зарядити.

ОПИС РОБОТИ

⚠ ОБЕРЕЖНО: Обов'язково переконайтеся, що прилад вимкнено, а касету з акумулятором знято, перед регулюванням або перевіркою функціонування інструмента.

Встановлення та зняття касети з акумулятором

⚠ ОБЕРЕЖНО: Завжди вимикайте інструмент перед встановленням або зняттям касети з акумулятором.

⚠ ОБЕРЕЖНО: Під час встановлення або зняття касети з акумулятором слід міцно тримати інструмент та касету з акумулятором. Якщо ви утримуватимете інструмент та касету з акумулятором недостатньо міцно, вони можуть вислизнути з рук, що може призвести до пошкодження інструмента та касети з акумулятором або може спричинити травми.

► **Рис.1:** 1. Червоний індикатор 2. Кнопка 3. Касета з акумулятором

Щоб зняти касету з акумулятором, слід витягнути її з інструмента, натиснувши на кнопку в передній частині касети.

Щоб установити касету з акумулятором, слід сумістити виступ на касеті з акумулятором із пазом у корпусі та вставити касету на місце. Її необхідно вставити повністю, аж доки не почуєте клацання. Якщо на верхній частині кнопки помітний червоний індикатор, це означає, що касета з акумулятором установлена не до кінця.

⚠ ОБЕРЕЖНО: Завжди вставляйте касету з акумулятором повністю, аж поки червоний індикатор стане невидимим. Якщо цього не зробити, касета може випадково випасти з інструмента та завдати травми вам або людям, що знаходяться поряд.

⚠ ОБЕРЕЖНО: Не встановлюйте касету з акумулятором із зусиллям. Якщо касета не вставляється легко, то це означає, що ви її неправильно вставляєте.

Відображення залишкового заряду акумулятора

Тільки для касет з акумулятором, які мають індикатори

► **Рис.2:** 1. Індикаторні лампи 2. Кнопка перевірки

Натисніть кнопку перевірки на касеті з акумулятором для відображення залишкового ресурсу акумулятора. Індикаторні лампи загоряться на кілька секунд.

Індикаторні лампи			Залишковий ресурс
Горить	Вимк.	Блимає	
■	□	▧	від 75 до 100%
■ ■ ■ ■	□	□	від 50 до 75%
■ ■ □ □	□	□	від 25 до 50%
■ □ □ □	□	□	від 0 до 25%
▧ □ □ □	□	□	Зарядіть акумулятор.
■ ■ □ □	□	□	Можливо, акумулятор вийшов з ладу.
□ □ ■ ■	□	□	

ПРИМІТКА: Залежно від умов використання та температури оточуючого середовища показання можуть незначним чином відрізнятися від дійсного ресурсу.

Система захисту інструмента/акумулятора

Інструмент оснащено системою захисту інструмента/акумулятора. Ця система автоматично вимикає живлення двигуна з метою збільшення терміну служби інструмента та акумулятора. Інструмент автоматично зупиняється під час роботи, якщо інструмент або акумулятор перебувають у зазначених нижче умовах.

Захист від перевантаження

Якщо робочі умови спричиняють надмірно високе споживання струму акумулятором, інструмент автоматично вимкнеться, а на дисплеї відобразиться номер помилки. У такому разі вимкніть інструмент і припиніть виконання роботи, що призвела до його перевантаження. Щоб перезапустити інструмент, увімкніть його знову.

Захист від перегрівання

Якщо інструмент або акумулятор перегрівся, інструмент автоматично вимкнеться, а на дисплеї відобразиться номер помилки. У такому разі дайте інструменту й акумулятору охолонути, перш ніж знову вмикати інструмент.

Захист від надмірного розрядження

Якщо ємність акумулятора не достатня, інструмент автоматично вимкнеться, а на дисплеї відобразиться номер помилки. У такому разі вийміть акумулятор з інструмента й зарядіть його.

Вимикач живлення

⚠ОБЕРЕЖНО: Під час увімкнення інструмента не наближайте обличчя або кінцівки до рухомих частин робочого органа інструмента. В іншому разі можна отримати травму.

⚠ОБЕРЕЖНО: Категорично заборонено торкатися рухомих частин робочого органа інструмента, коли його ввімкнено. В іншому разі можна отримати травму.

⚠ОБЕРЕЖНО: Перш ніж вставити касету з акумулятором, обов'язково приберіть пальці з курка вимикача й заблокуйте курок. Якщо вставити касету з акумулятором, коли курок вимикача натиснуто, то інструмент раптово почне в'язати вузол, що може призвести до нещасного випадку.

► Рис.3

Після натиснення кнопки живлення інструмент увімкнеться й засвітиться індикатор режиму в'язання. Інструмент на короткий час активується для здійснення регулювання. Після завершення регулювання інструмент автоматично зупиниться. Після повторного натиснення кнопки живлення інструмент вимикається, а індикатор режиму в'язання гасне.

► Рис.4: 1. Індикатор режиму в'язання 2. Кнопка живлення

ПРИМІТКА: Цей інструмент підтримує функцію автоматичного вимкнення. Якщо протягом 10 хвилин курок вимикача залишався незадіяним, інструмент автоматично вимкнеться для економії заряду акумулятора.

ПРИМІТКА: Щоб перезапустити інструмент, знову ввімкніть його.


Кнопка перемикачання режимів

Коли інструмент увімкнено й індикатор режиму в'язання світиться, ви можете вибрати робочий режим (одинарне спрацьовування або послідовне спрацьовування) за допомогою кнопки перемикачання режимів. Після повторного ввімкнення інструмент почне працювати в режимі, що був активний наприкінці попереднього сеансу роботи.

► Рис.5: 1. Кнопка перемикачання режимів 2. Режим одинарного спрацьовування 3. Режим послідовного спрацьовування

Дія вимикача

⚠ПОПЕРЕДЖЕННЯ: Перед тим як вставляти касету з акумулятором в інструмент, обов'язково перевірте, чи курок вимикача спрацьовує належним чином та повертається у положення «ВИМК.», коли його відпускають.

⚠ОБЕРЕЖНО: Коли інструмент не використовується, натисніть кнопку блокування курка вимикача з боку , щоб зафіксувати курок вимикача в положенні OFF (ВИМК.).

► Рис.6: 1. Курок вимикача 2. Кнопка блокування курка вимикача

Для запобігання раптовому натисканню курка вимикача передбачено кнопку блокування курка вимикача. Щоб запустити інструмент, натисніть кнопку блокування курка вимикача з боку А й натисніть курок вимикача. Щоб зупинити роботу, відпустіть курок вимикача. Після завершення роботи натисніть на кнопку блокування курка вимикача з боку В.

Після натиснення курка вимикача інструмент послідовно виконує зазначені нижче операції, а потім автоматично зупиняється.

1. Інструмент подає дріт.
2. Інструмент обрізає дріт.
3. Гак утримує й закручує дріт.
4. Гак повертається у вихідне положення.

Регулювання зусилля стягування

⚠ОБЕРЕЖНО: Перш ніж починати регулювання, обов'язково заблокуйте курок. Під час увімкнення інструмента не наближайте обличчя або кінцівки до рухомих частин робочого органа інструмента. В іншому разі можна отримати травму.

► Рис.7

Відрегулювати зусилля стягування можна за допомогою спеціальної кнопки. Зусилля стягування відображається на дисплеї.

► Рис.8: 1. Кнопка регулювання зусилля стягування 2. Дисплей

Якщо дріт лусне, зв'язування не можна вважати якісним. Після зв'язування огляньте закручену частину дроту на наявність розривів.

Якщо дріт луснув, відрегулюйте зусилля стягування за допомогою спеціальної кнопки й виконайте зв'язування заново.

Сповіщення про залишок заряду акумулятора

Коли напруга акумулятора впаде нижче необхідного рівня, інструмент припинить роботу; при цьому пролунає сигнал помилки, а на дисплеї відобразиться цифра «4». Сигнал помилки лунатиме, доки інструмент не буде вимкнено.

ПРИМІТКА: Якщо температура довкілля занижка, сигнал помилки може лунати навіть за достатнього заряду акумулятора.

ЗБОРКА

⚠ОБЕРЕЖНО: Обов'язково переконайтеся, що прилад вимкнено, а касету з акумулятором знято, перш ніж проводити будь-які роботи з інструментом.

Завантаження дроту (котушки)

⚠ ОБЕРЕЖНО: Перед завантаженням або вийманням дротів і аксесуарів обов'язково вимкніть інструмент, заблокуйте курок і вийміть касету з акумулятором. Невиконання цієї умови може призвести до нещасного випадку.

УВАГА: Дозволено використовувати лише оригінальні дроти Makita (відпалені), інакше інструмент може зламатися.

1. Натисніть на спусковий важіль і заблокуйте його за допомогою важеля блокування.
- **Рис.9:** 1. Спусковий важіль 2. Важіль блокування

Коли натискається спусковий важіль, між лівим і правим механізмами подавання утворюється зазор.

- **Рис.10:** 1. Спусковий важіль 2. Важіль блокування 3. Механізми подавання

2. Зніміть стрічку, що фіксує дрід, і витягніть кінець дроту.
- **Рис.11:** 1. Стрічка 2. Кінець дроту

3. Відкрийте кришку відсіку для котушки.
- **Рис.12:** 1. Кришка відсіку для котушки

4. Вставте котушку в інструмент, як показано на рисунку.
- **Рис.13:** 1. Котушка дроту

УВАГА: Вставляти котушку потрібно лише так, як показано на рисунку. Якщо вставити її іншою стороною, дрід розчепиться й може заплутатися.

5. Випряміть кінець дроту й просилить його кризь напрямну.
- **Рис.14:** 1. Напрямна

ПРИМІТКА: Якщо просилити кризь напрямну зігнутий кінець дроту, дрід може застрягнути в інструменті.

ПРИМІТКА: Якщо із силою намагатися просилити дрід кризь напрямну, він може застрягнути.

6. Витягніть дрід із кінця напрямної насадки приблизно на 10 мм.
- **Рис.15:** 1. Напрямна насадка 2. Приблизно 10 мм

УВАГА: Якщо довжина відрізка дроту, витягнутого з кінця напрямної насадки, є недостатньою, то під час в'язання дрід може луснути, або зв'язування може бути недостатньо надійним через замалу кількість вузлів.

7. Повністю зніміть стрічку, що тримає дрід.
- **Рис.16**

8. Прокрутіть дрід, щоб натягнути його.
- **Рис.17**

9. Відпустіть важіль блокування. Спусковий важіль повернеться у вихідне положення, і дрід буде зафіксовано між лівою й правою шестернями.

- **Рис.18:** 1. Спусковий важіль 2. Важіль блокування

- **Рис.19:** 1. Шестерня 2. Канал для руху дроту 3. Дрід

УВАГА: Коли важіль блокування відпущено, а ліва й права шестерні зчеплені, пази шестерень утворюють отвір. Через цей отвір проходить дрід. Переконайтеся, що дрід проходить через зазначений отвір.

10. Закрийте кришку відсіку для котушки.
- **Рис.20:** 1. Кришка відсіку для котушки

РОБОТА

Перевірка перед експлуатацією

⚠ ОБЕРЕЖНО: Заборонено користуватися інструментом, якщо його запобіжний механізм не справний. В іншому разі може статися нещасний випадок.

Перед використанням інструмента переконайтеся, що запобіжний механізм працює належним чином. В іншому разі негайно припиніть користування інструментом. Зверніться до місцевого сервісного центру компанії Makita для проведення ремонту.

Перевірка механізму блокування курка

Інструмент обладнано механізмом блокування курка, що має запобігти раптовому спрацюванню інструмента. Заблокуйте курок і переконайтеся, що він не натискається.

Перевірка вхідної напрямної

Коли вхідна напрямна відкрита, інструмент не працюватиме навіть за натиснення курка вмикача; це дозволяє запобігти випадковому торканню рухомих частин робочого органа інструмента. Щоб інструмент знову став доступним для використання, потрібно приборати палець із курка вмикача й закрити вхідну напрямну.

- **Рис.21:** 1. Вхідна напрямна

Перевірка системи визначення положення вхідної напрямної

Вийміть в'язальний дрід і перевірте роботу інструмента за наведеними нижче інструкціями, щоб переконатися, що інструмент не запускається, коли вхідна напрямна відкрита.

1. Вимкніть інструмент і залиште вхідну напрямну відкритою.
2. Увімкніть інструмент.

Якщо інструмент не активується, а на дисплеї відображається цифра «2», усе працює належним чином. Вимкніть інструмент і закрийте вхідну напрямну.

Якщо інструмент активується, а на дисплеї не відображається повідомлення про помилку, інструмент не справний. Негайно припиніть використання інструмента й зверніться до найближчого сервісного центру Makita для проведення ремонту.

▲ОБЕРЕЖНО: Якщо ви відкриваєте вхідну напрямну й вмикаєте інструмент, щоб перевірити блокування, тримайте вхідну напрямну в положенні, показаному на рисунку. Не наближайте обличчя або кінцівки до рухомих частин робочого органа інструмента. В іншому разі можна отримати травму.

► Рис.22

В'язання арматури

▲ОБЕРЕЖНО: Перш ніж вставити касету з акумулятором, обов'язково приберіть пальці з курка вмикача й заблокуйте курок. Якщо вставити касету з акумулятором, коли курок вмикача натиснуто, то інструмент раптово почне в'язати вузол, що може призвести до нещасного випадку.

▲ОБЕРЕЖНО: Під час увімкнення інструмента не наближайте обличчя або кінцівки до рухомих частин робочого органа інструмента. В іншому разі можна отримати травму.

▲ОБЕРЕЖНО: Категорично заборонено торкатися рухомих частин робочого органа інструмента, коли його ввімкнено. В іншому разі можна отримати травму.

► Рис.23

Підготовка до роботи

1. Переконайтеся, що касету з акумулятором вийнято, а курок заблоковано.
2. Вставте касету з акумулятором в інструмент і ввімкніть його. Після ввімкнення інструмента дріт обрізається автоматично.

УВАГА: Переконайтеся, що коли інструмент увімкнено, індикатор режиму в'язання світиться. В іншому разі перезарядіть акумулятор.

3. Розблокуйте замок курка.
- Рис.24: 1. Кнопка блокування курка вмикача
2. Курок вмикача 3. Кнопка живлення
4. Індикатор режиму в'язання

Режим одинарного спрацьовування

1. Щільно притисніть напрямну насадку до точки зв'язування. Тримайте інструмент вертикально, притисніть напрямну насадку до точки перетину стрижнів під кутом 45 градусів.
- Рис.25
2. Один раз натисніть на курок вмикача.
 3. Дріт подається й обрізається автоматично.
 4. Гак утримує й закручує дріт, а після зв'язування вузла повертається у вихідне положення.
- Рис.26

5. Після зв'язування потягніть інструмент угору; будьте обережні, щоб не зачепити напрямну насадку за арматуру.

▲ОБЕРЕЖНО: Якщо дріт зачепився за рухому частину робочого органа, вимкніть інструмент. Заблокуйте курок, вийміть касету з акумулятором і вийміть дріт за допомогою інструмента на кшталт кліщів або плоскогубців.

► Рис.27

Режим послідовного спрацьовування

1. Щоб переключитися з режиму одинарного спрацьовування в режим послідовного спрацьовування, натисніть кнопку перемикання режимів.

► Рис.28: 1. Кнопка перемикання режимів

2. Розблокуйте замок курка.

3. Натисніть на курок вмикача, тримаючи інструмент вертикально, і притисніть напрямну насадку до точки перетину стрижнів під кутом 45 градусів. Щільно притисніть контактну пластину до точки зв'язування. Дріт зав'яжеться у вузол.

► Рис.29: 1. Контактна пластина

4. Після зв'язування потягніть інструмент угору; будьте обережні, щоб не зачепити напрямну насадку за арматуру.

► Рис.30

Застереження щодо роботи

- Якщо під час в'язання дроту прибрати напрямну насадку з робочого положення, дріт зачепиться за гак, що може призвести до некоректного зв'язування.
- Притискайте інструмент до арматури, доки інструмент не завершить в'язання арматури.
- Починайте в'язати наступний вузол тільки після завершення в'язання попереднього вузла.
- Під час в'язання вузлів рухома частина (гак) робочого органа закручує дріт. Міцно тримайте ручку, щоб інструмент не тягнув вас.
- Під час в'язання арматури не торкайтеся дротів.
- Якщо ви повторюєте в'язання дроту в режимі одинарного спрацьовування, повністю приберіть пальці з курка вмикача. Потім знову натисніть на курок вмикача.
- Якщо продовжувати тиснути на курок вмикача, коли дріт закінчився, відобразиться повідомлення про помилку. У такому разі встановіть нову котушку дроту й перезапустіть інструмент.

Рекомендації щодо зв'язування

- Нахиліть інструмент під кутом 45 градусів до перехрещених стрижнів і спрямовуйте вузли в різні напрямки, як показано на рисунку.

► Рис.31

- Не накладайте вузли на виступи арматури.

► Рис.32

- Якщо зусилля стягування не достатня, направте вузли в різні боки й зв'яжіть стрижні двічі.

► Рис.33

УВАГА: Перш ніж робити другий вузол, зігніть кінчик першого вузла. В іншому разі другий вузол може не зав'язатися. Дріт може застрягнути в робочому органі інструмента, через що гак може пошкодитися.

Заміна в'язальних дротів

⚠ ОБЕРЕЖНО: Перед заміною дротів обов'язково вимкніть інструмент, заблокуйте курок і вийміть касету з акумулятором. Невиконання цієї умови може призвести до нещасного випадку.

1. Коли весь дріт буде використано, пролунає сигнал, і на дисплеї відобразиться цифра «1».
2. Заблокуйте курок, вимкніть інструмент і вийміть касету з акумулятором.
3. Натисніть на спусковий важіль і заблокуйте його за допомогою важеля блокування.
▶ **Рис.34:** 1. Спусковий важіль 2. Важіль блокування
4. Вийміть котушку дроту з інструмента.

ПРИМІТКА: За нормальних умов на котушці має залишитися приблизно 20 см дроту. У такому разі встановіть нову котушку.

Якщо вийняти котушку з інструмента не вдається, виконайте зазначені нижче дії.

1. Вставте касету з акумулятором в інструмент і вимкніть його. Інструмент подає й обрізає дріт автоматично.
2. Заблокуйте курок, вимкніть інструмент і вийміть касету з акумулятором.
3. Дістаньте обривки дроту за допомогою інструмента на кшталт кліщів або плоскогубців.

ТЕХНІЧНЕ ОБСЛУГОВУВАННЯ

⚠ ОБЕРЕЖНО: Перед здійсненням перевірки або обслуговування завжди перевіряйте, щоб інструмент був вимкнений, а касета з акумулятором була знята.

УВАГА: Ніколи не використовуйте газолін, бензин, розріджувач, спирт та подібні речовини. Їх використання може призвести до зміни кольору, деформації або появи тріщин.

Для забезпечення БЕЗПЕКИ та НАДІЙНОСТІ продукції, її ремонт, а також роботи з обслуговування або регулювання повинні виконуватись уповноваженими або заводськими сервісними центрами Makita із використанням запчастин виробництва компанії Makita.

Зберігання шестигранного ключа

Шестиграний ключ слід зберігати, як показано на рисунку.

- ▶ **Рис.35:** 1. Шестиграний ключ

Чищення різака

Якщо інструмент використовувався впродовж тривалого часу, пил і частки дроту можуть пристати до різака. У такому разі розберіть різак і очистьте його за описаною нижче процедурою. Якщо в різак застряг дріт, його можна видалити, виконуючи такі самі дії.

Розбирання й чищення

1. Відпустіть болти А й В за допомогою шестигранного ключа, що постачається в комплекті з інструментом.
▶ **Рис.36:** 1. Болт А 2. Болт В 3. Кришка контактної пластини 4. Напрямна дроту В

УВАГА: Не докладайте зусиль, щоб викрутити болти, які не викручуються за допомогою шестигранного ключа.

2. Зсуньте кришку контактної пластини в напрямку стрілки й зніміть її. Разом із нею виймається болт В.
▶ **Рис.37:** 1. Кришка контактної пластини 2. Болт В
3. Вийміть болт А й зніміть напрямну дроту В.
▶ **Рис.38:** 1. Болт А 2. Напрямна дроту В
4. Переверніть напрямну дроту В і очистьте її зсередини.
▶ **Рис.39**
5. Зніміть різак А й В, верхню пластину та від'єднайте ланку А від пластини А. Очистьте ці деталі.
▶ **Рис.40:** 1. Різак В 2. Ланка А 3. Різак А
4. Пластина А 5. Верхня пластина

Монтаж

Після чищення встановіть зазначені деталі за описаною нижче процедурою.

1. Установіть різак А й ланку А відповідно до форми пластини А.
▶ **Рис.41:** 1. Різак А 2. Ланка А 3. Пластина А
2. Установіть різак В і верхню пластину на пластину А.
(Установіть різак В на різак А й ланку А.)
▶ **Рис.42:** 1. Різак В 2. Верхня пластина
3. Пластина А 4. Різак А 5. Ланка А

УВАГА: Направте виступ різака В униз і установіть різак, як показано на рисунку.

3. Вирівняйте трубку інструмента з пазом у напрямній дроту В і з'єднайте них.
▶ **Рис.43:** 1. Трубка 2. Паз 3. Напрямна дроту В
4. Закріпіть напрямну дроту В, тимчасово затягнувши болт А.
▶ **Рис.44:** 1. Болт А 2. Напрямна дроту В
5. Установіть кришку контактної пластини в напрямку стрілки.
▶ **Рис.45:** 1. Кришка контактної пластини
6. Надійно закріпіть напрямну дроту В і контактну пластину, затягнувши болт А й болт В.
▶ **Рис.46:** 1. Напрямна дроту В 2. Кришка контактної пластини 3. Болт А 4. Болт В

7. Після збирання переконайтеся, що контактна пластина може рухатися, як показано на рисунку.

► **Рис.47:** 1. Контактна пластина

ПРИМІТКА: Якщо контактна пластина застрягла, натисніть на неї, як показано на рисунку.

► **Рис.48**

Візуальна й звукова індикація помилок

▲ОБЕРЕЖНО: Під час перевірки обов'язково заблокуйте курок, вимкніть інструмент і вийміть касету з акумулятором. Невиконання цієї умови може призвести до нещасного випадку.

▲ОБЕРЕЖНО: Під час увімкнення інструмента не наближайте обличчя або кінцівки до рухомих частин робочого органа інструмента. В іншому разі можна отримати травму.

▲ОБЕРЕЖНО: Категорично заборонено торкатися рухомих частин робочого органа інструмента, коли його ввімкнено. В іншому разі можна отримати травму.

▲ОБЕРЕЖНО: Якщо пролунав сигнал помилки або якщо інструмент не справний, негайно припиніть його використання.

Візуальна й звукова індикація помилок

У разі виникнення помилки пролунає звуковий сигнал і на дисплеї відобразиться номер помилки. Способи усунення помилок див. у таблиці нижче. Якщо усунути помилку не вдається, зверніться до авторизованого сервісного центру Makita для проведення ремонту.

Номер	Ознака	Можлива причина	Спосіб усунення
1	Інструмент припинив працювати.	Закінчився дріт.	Завантажте нову котушку дроту.
		Дріт не завантажено.	Завантажте котушку дроту.
		Збій подавання дроту.	Перевірте, чи правильно вставлено котушку. Вийміть котушку й вставте її заново. Очистьте канал руху дроту.
2	Інструмент припинив працювати.	Вхідна напрямна відкрита.	Закрийте вхідну напрямну.
3	Інструмент не в'яже арматуру в режимі послідовного спрацювання.	Контактна пластина застрягла.	Вивільніть контактну пластину.
4	Інструмент не запускається. Інструмент припинив працювати.	Акумулятор розряджений. Надто висока температура касети з акумулятором.	Зарядіть акумулятор. Охолодіть касету з акумулятором. Установіть заряджену касету з акумулятором.
5	Інструмент припинив працювати.	Мотор перевантажено.	Визначте, що перешкоджає роботі мотора, і усуньте цю перешкоду.
		Поломка двигуна	
6	Інструмент припинив працювати.	Надто висока температура інструмента.	Охолодіть інструмент.
7	Інструмент не запускається. Інструмент припинив працювати.	Поломка інструмента	Зверніться до авторизованого сервісного центру Makita для проведення ремонту.

ДОДАТКОВЕ ПРИЛАДДЯ

▲ОБЕРЕЖНО: Це додаткове та допоміжне обладнання рекомендовано використовувати з інструментом Makita, зазначеним у цій інструкції з експлуатації. Використання будь-якого іншого додаткового та допоміжного обладнання може становити небезпеку травмування. Використовуйте додаткове та допоміжне обладнання лише за призначенням.

У разі необхідності отримати допомогу в більш детальному ознайомленні з оснащенням звертайтеся до місцевого сервісного центру Makita.

- В'язання дроту
- Оригінальний акумулятор та зарядний пристрій Makita

ПРИМІТКА: Деякі елементи списку можуть входити до комплекту інструмента як стандартне приладдя. Вони можуть відрізнитися залежно від країни.

SPECIFICAȚII

Model:	DTR180
Sârmă de legat (accesoriu opțional)	ø0,8 mm
Diametrul barelor pentru armături care pot fi legate	De la 3 x 3 până la (4 x 2) x (4 x 2) De la 10 mm x 10 mm până la (13 mm x 2) x (13 mm x 2)
Număr aproximativ de legături pe rolă	Aproximativ 120 de legături
Lungime totală	304 mm
Tensiune nominală	14,4/18 V c.c.
Greutate netă	2,3 - 2,6 kg

- Datorită programului nostru continuu de cercetare și dezvoltare, specificațiile pot fi modificate fără o notificare prealabilă.
- Specificațiile și cartușul acumulatorului pot diferi de la țară la țară.
- Greutatea poate diferi în funcție de accesoriu(ii), inclusiv cartușul acumulatorului. În tabel se prezintă combinația cea mai ușoară și cea mai grea, conform Procedurii EPTA 01/2014.

Cartușul acumulatorului și încărcătorul aplicabile

Cartușul acumulatorului	Model de 14,4 V c.c.	BL1415N / BL1430 / BL1430B / BL1440 / BL1450 / BL1460B
	Model de 18 V c.c.	BL1815N / BL1820 / BL1820B / BL1830 / BL1830B / BL1840 / BL1840B / BL1850 / BL1850B / BL1860B
Încărcător		DC18RC / DC18RD / DC18RE / DC18SD / DC18SE / DC18SF

- Este posibil ca unele cartușe ale acumulatorilor și încărcătoare menționate mai sus să nu fie disponibile în funcție de regiunea dvs. de reședință.

⚠️ AVERTIZARE: Utilizați numai cartușele de acumulator și încărcătoarele enumerate mai sus. Utilizarea oricărui altor cartușe de acumulator și încărcătoare poate duce la rănire și/sau incendiu.

Combi-nația de bare pentru armături care pot fi legate

Combi-nație de 2 bare pentru armături

	3 (10 mm)	4 (13 mm)	5 (16 mm)
3 (10 mm)	✓	✓	✓
4 (13 mm)	✓	✓	✓
5 (16 mm)	✓	✓	✓

Combi-nație de 3 bare pentru armături

	3 x 3 (10 mm x 10 mm)	4 x 4 (13 mm x 13 mm)
3 (10 mm)	✓	✓
4 (13 mm)	✓	✓
5 (16 mm)	✓	-

Combi-nație de 4 bare pentru armături

	3 x 3 (10 mm x 10 mm)	4 x 4 (13 mm x 13 mm)
3 x 3 (10 mm x 10 mm)	✓	✓
4 x 4 (13 mm x 13 mm)	✓	✓

NOTĂ: Dacă există spațiu între barele pentru armături sau dacă mașina nu este folosită în poziția corectă, există riscul ca barele pentru armături să nu poată fi legate.

Simboluri

Mai jos sunt prezentate simbolurile de pe echipament. Asigurați-vă că înțelegeți sensul acestora înainte de utilizare.



Citiți manualul de utilizare.



Purtați ochelari de protecție.



A nu se expune la ploaie.



Nu apropiați degetele de rola de sârmă sau de sârmă atunci când folosiți mașina.



Nu apropiați mâinile de vârful mașinii.



Doar pentru țările din cadrul UE
Nu aruncați aparatele electrice sau acumulatorii în gunoii menajer!
În conformitate cu Directiva europeană privind deșeurile de echipamente electrice și electronice, bateriile și acumulatorii, precum și bateriile și acumulatorii reziduale și implementarea acestora conform legislației naționale, echipamentele electrice și bateriile și acumulatorii care au ajuns la sfârșitul duratei de viață trebuie colectate separat și reciclate corespunzător în vederea protecției mediului.

Destinația de utilizare

Mașina este destinată legării barelor pentru armături.

Zgomot

Nivelul de zgomot normal ponderat A determinat în conformitate cu EN60745-2-18 (EN12549):

Nivel de presiune acustică (L_{pA}): 78 dB(A)

Marijă de eroare (K): 3 dB(A)

Nivelul de zgomot în timpul funcționării poate depăși 80 dB (A).

AVERTIZARE: Purtați echipament de protecție pentru urechi.

Vibrații

Valoarea totală a vibrațiilor (suma vectorilor tri-axiali) determinată conform EN60745-2-18 (ISO8662-11):

Mod de lucru: Tijă de metal pentru legare

Emisie de vibrații (a_{hv}): 2,5 m/s² sau mai puțin

Marijă de eroare (K): 1,5 m/s²

NOTĂ: Nivelul de vibrații declarat a fost măsurat în conformitate cu metoda de test standard și poate fi utilizat pentru compararea unei unelte cu alta.

NOTĂ: Nivelul de vibrații declarat poate fi, de asemenea, utilizat într-o evaluare preliminară a expunerii.

AVERTIZARE: Nivelul de vibrații în timpul utilizării efective a unelei electrice poate diferi de valoarea nivelului declarat, în funcție de modul în care unealta este utilizată.

AVERTIZARE: Asigurați-vă că identificați măsurile de siguranță pentru a proteja operatorul, acestea fiind bazate pe o estimare a expunerii în condiții reale de utilizare (luând în considerare toate părțile ciclului de operare, precum timpul în care unealta a fost oprită, sau a funcționat în gol, pe lângă timpul de declanșare).

Declarație de conformitate CE

Numai pentru țările europene

Declarația de conformitate CE este inclusă ca Anexa A în acest manual de instrucțiuni.

AVERTIZĂRI DE SIGURANȚĂ

Avertismente generale de siguranță pentru mașinile electrice

AVERTIZARE: Citiți toate avertismentele privind siguranța, instrucțiunile, ilustrațiile și specificațiile furnizate cu această sculă electrică. Nerespectarea integrală a instrucțiunilor de mai jos poate cauza electrocutări, incendii și/sau vătămări corporale grave.

Păstrați toate avertismentele și instrucțiunile pentru consultări ulterioare.

Termenul „mașină electrică” din avertizări se referă la mașinile dumneavoastră electrice acționate de la rețea (prin cablu) sau cu acumulator (fără cablu).

Avertismente privind siguranța pentru mașina de legat bare pentru armături, cu acumulator

1. **Nu îndreptați niciodată mașina către altă persoană. Nu apropiați niciodată mâinile sau picioarele de vârful mașinii.** Dacă atingeți din greșeală o altă persoană cu mașina în timp ce aceasta este în funcțiune, pot avea loc accidente.
2. **Nu încărcați sârma dacă mașina este pornită.** În caz contrar, este posibil să vă prindeți în sârmă și să vă accidentați.
3. **Nu utilizați mașina fără să închideți capacul rolei.** În caz contrar, rola de sârmă se poate desprinde și poate provoca accidente.
4. **Înainte de a începe lucrul, asigurați-vă că diametrele barelor pentru armături ce urmează a fi legate se încadrează în capacitatea mașinii.**
5. **Purtați haine cu tivurile prinse și cu mâneci strâmte. Nu lucrați cu prosoape sau alte obiecte în jurul gâtului.** În caz contrar, acestea se pot prinde în piesa rotativă și pot cauza accidente.

6. **Inspectați următoarele puncte înainte de a utiliza mașina:**
 - verificați dacă nicio piesă nu este deteriorată,
 - verificați dacă niciun șurub nu este desprins,
 - verificați dacă dispozitivele de siguranță funcționează normal.
7. **În cazul depistării oricărei anomalii, opriți imediat mașina. Nu încercați să reparați mașina pe cont propriu. Adresați-vă centrului local de service Makita pentru efectuarea reparațiilor.** Dacă mașina este utilizată cu piese lipsă, pot avea loc accidente.
8. **Atunci când introduceți cartușul acumulatorului, asigurați-vă că blocați butonul declanșator și nu puneți degetul pe el.** Utilizarea greșită poate conduce la accidente.
9. **Atunci când legați barele pentru armături, aveți grijă să nu le mișcați.** Dacă barele pentru armături se mișcă în momentul legării, este posibil să vă accidentați.
10. **Nu atingeți sârma pe durata procesului de legare cu sârmă.** În caz contrar, este posibil să vă prindeți în sârmă și să vă accidentați.
11. **Nu apropiați degetele de punctul de legare pe durata procesului de legare cu sârmă.** În caz contrar, este posibil să vă prindeți în sârmă și să vă accidentați.
12. **Tineți mânerul mașinii strâns pe durata procesului de legare cu sârmă.** În caz contrar, încheietura mâinii vi se poate răsuci sau mașina poate imprima corpului dvs. o mișcare involuntară, ceea ce poate conduce la accidente.
13. **Nu treceți la următorul punct de legare până când nu veți fi finalizat procesul curent de legare.** În caz contrar, este posibil să vă accidentați.
14. **Fiți atenți la capătul sârmei pe durata procesului de legare cu sârmă.** În caz contrar, vă puteți prinde mâna în capătul sârmei și vă puteți accidenta.
15. **Nu atingeți plăcuța de contact pe durata procesului de legare cu sârmă.** Dacă trebuie să atingeți plăcuța de contact, asigurați-vă că blocați butonul declanșator sau opriți mașina și scoateți cartușul acumulatorului. În caz contrar, este posibil să vă accidentați.
16. **După ce ați finalizat procesul de legare cu sârmă, ridicați mașina în poziția verticală.** În caz contrar, vă puteți prinde brațul în barele pentru armături, ceea ce poate conduce la accidente.
17. **Aveți grijă să nu scăpați sau să nu loviți mașina.** Dacă mașina a fost supusă unui șoc puternic înainte de a fi folosită, asigurați-vă că nu s-a deteriorat sau fisurat și că dispozitivele de siguranță funcționează normal. În caz contrar, se pot produce accidente.
18. **În cazul apariției uneia dintre situațiile de mai jos, blocați butonul declanșator, opriți mașina și scoateți cartușul acumulatorului.** Dacă mașina nu funcționează corect, pot avea loc accidente.
 - Dacă se aude un sunet de operare imediat după ce cartușul acumulatorului este montat.
 - Dacă se detectează supraîncălzire sau mirosuri neobișnuite.
 - Atunci când luați măsuri ca răspuns la eroarea afișată. (Adresați-vă centrului local de service Makita pentru efectuarea reparațiilor.)
- **Atunci când încărcați sau descărcați o rolă de sârmă.**
- **Atunci când vă deplasați cu mașina în mână pe durata lucrului.**
- **Atunci când nu folosiți mașina.**
- **Atunci când inspectați sau reglați mașina.**
- **Atunci când scoateți un toron.**
19. **Atunci când vă aflați pe o schelă, stabiliți-o întotdeauna și lucrați într-o poziție care să vă asigure echilibrul.** Dacă schela este instabilă, pot avea loc accidente.
20. **Atunci când lucrați pe un acoperiș sau în locuri similare, deplasați-vă cu fața în timp ce lucrați, astfel încât să vedeți pe unde mergeți.** Dacă vă deplasați cu spatele, este posibil să vă pierdeți echilibrul și să produceți un accident.
21. **Dacă lucrați la înălțime, asigurați-vă că nu se află nicio persoană dedesubt și fiți atenți să nu scăpați nicio unealtă pe durata lucrului.** În caz contrar, pot avea loc accidente.
22. **Folosiți mașina numai pentru lucrări ce necesită legarea cu sârmă.** În caz contrar, se pot produce accidente.
23. **Utilizați întotdeauna numai sârmă Makita originală.** Dacă sârmele nu sunt folosite pentru o perioadă îndelungată de timp, este posibil ca acestea să ruginească. Nu folosiți sârme ruginite. În caz contrar, pot avea loc accidente.
24. **După legare, verificați dacă sârma nu s-a rupt din cauza răsucirii excesive.** În cazul în care s-a rupt o sârmă, legătura își va pierde din rezistență. Reglați rezistența legăturii și legați din nou barele pentru armături.
25. **Apăsăți ferm cu brațul pe bare.** Dacă fixarea nu se realizează solid, se va crea un spațiu între barele pentru armături, iar rezistența legăturii va fi compromisă.

Instrucțiuni importante privind siguranța pentru cartușul acumulatorului

1. **Înainte de a folosi cartușul acumulatorului, citiți toate instrucțiunile și atenționările de pe (1) încercătorul acumulatorului, (2) acumulator și (3) produsul care folosește acumulatorul.**
2. **Nu dezmembrați cartușul acumulatorului.**
3. **Dacă timpul de funcționare s-a redus excesiv, întrerupeți imediat funcționarea.** Aceasta poate prezenta risc de supraîncălzire, posibile arsuri și chiar explozie.
4. **Dacă electrolitul pătrunde în ochi, clătiți bine ochii cu apă curată și consultați imediat un medic.** Există risc de orbire.
5. **Nu scurtcircuitați cartușul acumulatorului:**
 - (1) **Nu atingeți bornele cu niciun material conductor.**
 - (2) **Evitați depozitarea cartușului acumulatorului la un loc cu alte obiecte metalice cum ar fi cuie, monede etc.**
 - (3) **Nu expuneți cartușul acumulatorului la apă sau ploaie.**

Un scurtcircuit al acumulatorului poate provoca un flux puternic de curent electric, supraîncălzire, posibile arsuri și chiar defectarea mașinii.

6. Nu depozitați mașina și cartușul acumulatorului în spații în care temperatura poate atinge sau depăși 50 °C (122 °F).
7. Nu incinerati cartușul acumulatorului chiar dacă acesta este grav deteriorat sau complet uzat. Cartușul acumulatorului poate exploda în foc.
8. Aveți grijă să nu scăpați sau să loviți acumulatorul.
9. Nu utilizați un acumulator deteriorat.
10. Acumulatorii Li-Ion încorporați se supun cerințelor Legislației privind substanțele periculoase.

Pentru transporturi comerciale, efectuate de exemplu de către părți terțe, expeditori, trebuie respectate cerințele speciale de ambalare și etichetare.

Pentru pregătirea articolului care urmează să fie expedit, este necesară consultarea unui expert în materiale periculoase. Vă rugăm să respectați, de asemenea, reglementările naționale, care pot fi mai detaliate.

Izolați sau acoperiți contactele deschise și împachetați acumulatorul în așa fel încât să nu se poată mișca în ambalaj.

11. Respectați normele naționale privind eliminarea a deșeurilor a acumulatorului.
12. Utilizați acumulatorii numai cu produsele specificate de Makita. Instalarea acumulatorilor în produse neconforme poate cauza incendii, căldură excesivă, explozii sau scurgeri de electrolit.

PĂSTRAȚI ACESTE INSTRUCȚIUNI.

ATENȚIE: Folosiți numai acumulatori Makita originali. Acumulatorii Makita care nu sunt originali și acumulatorii care au suferit modificări se pot aprinde, provocând incendii, leziuni corporale și daune. De asemenea, anulează garanția oferită de Makita pentru unele și încărcătorul Makita.

Sfaturi pentru obținerea unei durate maxime de exploatare a acumulatorului

1. Încărcați cartușul acumulatorului înainte de a se descărca complet. Întrerupeți întotdeauna funcționarea mașinii și încărcați cartușul acumulatorului când observați o scădere a puterii mașinii.
2. Nu reîncărcați niciodată un acumulator complet încărcat. Supraîncărcarea va scurta durata de exploatare a acumulatorului.
3. Încărcați cartușul acumulatorului la temperatura camerei, între 10 °C - 40 °C (50 °F - 104 °F). Lăsați un acumulator fierbinte să se răcească înainte de a-l încărca.
4. Încărcați cartușul acumulatorului în cazul în care nu a fost utilizat pe o perioadă mai lungă (mai mult de șase luni).

DESCRIEREA FUNCȚIILOR

ATENȚIE: Asigurați-vă întotdeauna că mașina este oprită și cartușul acumulatorului este scos înainte de a ajusta sau verifica funcționarea mașinii.

Instalarea sau scoaterea cartușului acumulatorului

ATENȚIE: Opriti întotdeauna mașina înainte de montarea sau demontarea cartușului de acumulator.

ATENȚIE: Țineți ferm mașina și cartușul acumulatorului la montarea sau demontarea cartușului. În cazul în care nu țineți ferm mașina și cartușul de acumulator, acestea vă pot aluneca din mâini, rezultând defectarea mașinii și cartușului de acumulator, precum și în accidentări personale.

► Fig.1: 1. Indicator roșu 2. Buton 3. Cartușul acumulatorului

Pentru a scoate cartușul acumulatorului, glisați-l din mașină în timp ce glisați butonul de pe partea frontală a cartușului.

Pentru a instala cartușul acumulatorului, aliniați limba de pe cartușul acumulatorului cu canelura din carcasă și introduceți-l în locaș. Introduceți-l complet, până când se încliquează în locaș. Dacă puteți vedea indicatorul roșu din partea superioară a butonului, acesta nu este blocat complet.

ATENȚIE: Instalați întotdeauna cartușul acumulatorului complet, până când indicatorul roșu nu mai este vizibil. În caz contrar, acesta poate cădea accidental din mașină provocând rănirea dumneavoastră sau a persoanelor din jur.













ATENȚIE: Nu forțați cartușul acumulatorului la montare. Dacă acesta nu glisează ușor, înseamnă că a fost introdus incorect.




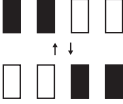
Indicarea capacității rămase a acumulatorului

Numai pentru cartușe de acumulator cu indicator

► Fig.2: 1. Lămpi indicatoare 2. Buton de verificare

Apăsati butonul de verificare de pe cartușul acumulatorului, astfel încât să se indice capacitățile rămase ale acumulatorului. Lămpile indicatorului vor lumina timp de câteva secunde.

Lămpi indicatoare			Capacitate rămasă
 Iluminat	 Oprit	 Iluminare intermitentă	
			între 75% și 100%
			între 50% și 75%
			între 25% și 50%
			între 0% și 25%
			Încărcați acumulatorul.

Lămpi indicatoare			Capacitate rămasă
 Iluminat	 Oprit	 Iluminare intermitentă	
			Este posibil ca acumulatorul să fie defect.

NOTĂ: În funcție de condițiile de utilizare și temperatura ambientală, indicația poate fi ușor diferită de capacitatea reală.

Sistem de protecție mașină/acumulator

Mașina este prevăzută cu un sistem de protecție mașină/acumulator. Acest sistem întrerupe automat alimentarea motorului pentru a extinde durata de funcționare a mașinii și acumulatorului. Mașina se va opri automat în timpul funcționării dacă mașina sau acumulatorul se află într-una din situațiile următoare:

Protecție la suprasarcină

Atunci când acumulatorul este utilizat într-un mod care cauzează un consum de curent neobișnuit de ridicat, mașina se oprește automat și numărul corespunzător al erorii este afișat pe ecran. În această situație, opriți mașina și întrerupeți aplicația care a dus la suprasolicitarea mașinii. Apoi, reporniți mașina.

Protecție la supraîncălzire

Dacă mașina sau acumulatorul se supraîncălzeste, mașina se oprește automat și numărul corespunzător al erorii este afișat pe ecran. În acest caz, lăsați mașina și acumulatorul să se răcească înainte de a reporni mașina.

Protecție la supradescărcare

În cazul în care capacitatea acumulatorului nu este suficientă, mașina se oprește automat și numărul corespunzător al erorii este afișat pe ecran. În acest caz, scoateți acumulatorul din mașină și încărcați-l.

Întrerupător de alimentare principal

ATENȚIE: Atunci când porniți mașina, nu apropiați membrele sau fața de piesele de legare sau rotative din vârful mașinii. În caz contrar, este posibil să vă accidentați.

ATENȚIE: Atunci când mașina este pornită, nu atingeți piesele de legare sau rotative din vârful mașinii. În caz contrar, este posibil să vă accidentați.

ATENȚIE: Înainte de a introduce cartușul acumulatorului, luați degetele de pe butonul declanșator și blocați-l. Dacă introduceți cartușul acumulatorului și acționați în același timp butonul declanșator, pot avea loc accidente, în cazul în care procesul de legare cu sârmă se activează în mod accidental.

► Fig.3

La apăsarea butonului de alimentare, mașina pornește, iar indicatorul corespunzător modului de legare se aprinde. Pentru ca mașina să-și regleze poziția inițială, aceasta funcționează pentru scurt timp. După ce s-a realizat reglarea, mașina se oprește automat. La apăsarea din nou a butonului de alimentare, mașina se oprește, iar indicatorul corespunzător modului de legare se stinge.

► Fig.4: 1. Indicator mod legare 2. Buton de alimentare

NOTĂ: Mașina este dotată cu funcția de oprire automată. Dacă timp de 10 minute nu se apasă pe butonul declanșator, mașina se oprește automat pentru a reduce consumul.

NOTĂ: Pentru a reporni mașina, apăsați din nou pe butonul de alimentare.

Butonul de comutare a modurilor

Atunci când mașina este pornită și indicatorul corespunzător modului de legare este aprins, puteți selecta modul de acționare unică sau modul de acționare continuă folosind butonul de comutare a modurilor. La repornirea mașinii, aceasta pornește în ultimul mod care a fost selectat.

► Fig.5: 1. Butonul de comutare a modurilor 2. Mod de acționare unică 3. Mod de acționare continuă

Acționarea întrerupătorului

AVERTIZARE: Înainte de a introduce cartușul acumulatorului în mașină, verificați întotdeauna dacă butonul declanșator funcționează corect și revine în poziția „OFF” (oprit) când este eliberat.

ATENȚIE: Când nu utilizați mașina, apăsați butonul de blocare a butonului declanșator de pe partea A pentru a bloca butonul declanșator în poziția OPRIT.

► Fig.6: 1. Buton declanșator 2. Buton de blocare a butonului declanșator

Pentru a preveni tragerea accidentală a butonului declanșator, este prevăzută butonul de blocare a butonului declanșator. Pentru a porni mașina, apăsați butonul de blocare a butonului declanșator de pe partea A și trageți de butonul declanșator. Eliberați butonul declanșator pentru a opri mașina. După utilizare, apăsați butonul de blocare a butonului declanșator de pe partea B.

La acționarea butonului declanșator, mașina realizează în ordine operațiunile de mai jos, iar mașina se oprește automat.

1. Alimentează sârma.
2. Taie sârma.
3. Cârligul prinde și răsuțește sârma.
4. Cârligul revine în poziția inițială.

Setarea rezistenței legăturii

⚠ATENȚIE: Asigurați-vă că ați blocat butonul declanșator înainte de a începe reglarea. Atunci când porniți mașina, nu apropiați membrele sau fața de piesele de legare sau rotative din vârful mașinii. În caz contrar, este posibil să vă accidentați.

► Fig.7

Puteți seta rezistența legăturii folosind butonul de reglare a rezistenței legăturii. Rezistența legăturii este afișată pe ecran.

► Fig.8: 1. Buton de reglare a rezistenței legăturii
2. Ecran

Dacă sârma este ruptă, legătura își va pierde din rezistență. După legare, verificați dacă partea răsucită nu este ruptă. Dacă sârma este ruptă, reglați rezistența legăturii folosind butonul de reglare și legați din nou barele pentru armături.

Notificare privind nivelul de încărcare al acumulatorului

Când tensiunea din acumulator scade sub nivelul necesar, mașina se va opri, va fi emis un sunet de eroare, iar pe ecran va apărea numărul „4”. Sunetul de eroare se va opri numai după apăsarea butonului de alimentare.

NOTĂ: Dacă temperatura ambientă este extrem de scăzută, este posibil ca sunetul de eroare să se audă chiar și în cazul în care acumulatorul este suficient de încărcat.

ASAMBLARE

⚠ATENȚIE: Asigurați-vă întotdeauna că mașina este oprită și cartușul acumulatorului este scos înainte de a executa orice lucrări la mașină.

Încărcarea sârmei de legat (rolei de sârmă)

⚠ATENȚIE: Înainte de încărcarea sau descărcarea sârmei și a accesoriilor, opriți mașina, blocați butonul declanșator și scoateți cartușul acumulatorului. În caz contrar, există pericol de accident.

NOTĂ: Utilizarea altor sârme decât cele originale Makita (sârme recoapte) poate conduce la funcționarea defectuoasă a mașinii.

1. Apăsați pârghia de eliberare și blocați-o cu pârghia de blocare.

► Fig.9: 1. Pârghie de eliberare 2. Pârghie de blocare

La apăsarea pârghiei de eliberare, se va crea un spațiu între angrenajele de alimentare stânga și dreapta.

► Fig.10: 1. Pârghie de eliberare 2. Pârghie de blocare 3. Angrenaje de alimentare

2. Dezlipiți banda care ține sârma și trageți vârful sârmei afară.

► Fig.11: 1. Bandă 2. Vârf sârmă

3. Deschideți capacul rolei.

► Fig.12: 1. Capac rolă

4. Montați rola de sârmă pe mașină în poziția indicată în figură.

► Fig.13: 1. Rolă de sârmă

NOTĂ: Asigurați-vă că montați rola de sârmă în poziția indicată în figură. Dacă este montată invers, sârma se va desprinde și este posibil să se răsucească.

5. Îndreptați vârful sârmei și treceți sârma prin ghidaj.

► Fig.14: 1. Ghidaj

NOTĂ: Dacă vârful sârmei este îndoit atunci când trece prin ghidaj, sârma se poate bloca în mașină.

NOTĂ: Dacă încercați să treceți forțat sârma prin ghidaj, aceasta se poate bloca.

6. Scoateți aproximativ 10 mm de sârmă din vârful brațului.

► Fig.15: 1. Braț 2. Aproximativ 10 mm

NOTĂ: Dacă sârma scoasă nu este suficient de lungă, este posibil să se rupă în momentul legării sau ca rezistența legăturii să fie compromisă din cauza numărului insuficient de înfășurări.

7. Îndepărtați complet banda care ține sârma.

► Fig.16

8. Reînfașurați sârma pentru a suprima orice joc.

► Fig.17

9. Eliberați pârghia de blocare. Pârghia de eliberare revine în poziția inițială, iar sârma se prinde în angrenajele stânga și dreapta.

► Fig.18: 1. Pârghie de eliberare 2. Pârghie de blocare

► Fig.19: 1. Angrenaj 2. Canal sârmă 3. Sârmă

NOTĂ: Atunci când pârghia de blocare este eliberată și când angrenajele stânga și dreapta se antrenează unele pe altele, canelurile din angrenaje formează un spațiu. Acest spațiu formează canalul pentru sârmă. Asigurați-vă că sârma trece prin acest canal.

10. Închideți capacul rolei.

► Fig.20: 1. Capac rolă

OPERAREA

Verificarea înainte de începerea lucrului

⚠ATENȚIE: Dacă mașina are o problemă la mecanismul de siguranță, nu o folosiți. Dacă veți continua să o folosiți, pot avea loc accidente.

Înainte de a utiliza mașina, asigurați-vă că mecanismul de siguranță funcționează normal. Dacă mașina funcționează cu mecanismul de siguranță defect, opriți-o imediat. Adresați-vă centrului local de service Makita pentru efectuarea reparațiilor.

Verificarea elementului de blocare a butonului declanșator

Mașina este prevăzută cu un element de blocare a butonului declanșator, care împiedică funcționarea mașinii atunci când nu intenționați să o folosiți. Blocați butonul declanșator și asigurați-vă că acesta nu poate fi acționat.

Verificarea ghidajului spiralat

Pentru ca operatorul să nu atingă accidental piesele de legare sau rotative din vârful mașinii, mașina nu va funcționa chiar dacă se apasă pe butonul declanșator, atunci când ghidajul spiralat este deschis. După ce operatorul ia degetul de pe butonul declanșator și închide ghidajul spiralat, mașina poate fi utilizată.

► Fig.21: 1. Ghidaj spiralat

Verificarea detectării deschiderii/închiderii ghidajului spiralat

Scoateți sârma de legare, verificați dacă mașina funcționează urmând pașii de mai jos și asigurați-vă că nu porneste dacă ghidajul spiralat este deschis.

1. Opriti mașina și lăsați ghidajul spiralat deschis.
2. Porniți mașina.

Dacă mașina nu funcționează, iar pe ecran apare valoarea „2”, mașina este în stare normală de funcționare. Opriti mașina și închideți ghidajul spiralat.

Dacă mașina funcționează, iar pe ecran nu apare nicio eroare, mașina este în stare anormală de funcționare. Opriti imediat mașina și adresați-vă centrului local de service Makita pentru efectuarea reparațiilor.

⚠ATENȚIE: Dacă deschideți ghidajul spiralat și porniți mașina pentru a verifica elementul de interblocare, țineți ghidajul spiralat după cum se indică în figură. Nu apropiați membrele sau fața de piesele de legare sau rotative din vârful mașinii. În caz contrar, este posibil să vă accidentați.

► Fig.22

Legarea

⚠ATENȚIE: Înainte de a introduce cartușul acumulatorului, luați degetele de pe butonul declanșator și blocați-l. Dacă introduceți cartușul acumulatorului și acționați în același timp butonul declanșator, pot avea loc accidente, în cazul în care procesul de legare cu sârmă se activează în mod accidental.

⚠ATENȚIE: Atunci când porniți mașina, nu apropiați membrele sau fața de piesele de legare sau rotative din vârful mașinii. În caz contrar, este posibil să vă accidentați.

⚠ATENȚIE: Atunci când mașina este pornită, nu atingeți piesele de legare sau rotative din vârful mașinii. În caz contrar, este posibil să vă accidentați.

► Fig.23

Pregătirea înainte de începerea lucrului

1. Asigurați-vă că cartușul acumulatorului este scos și că butonul declanșator este blocat.
2. Introduceți cartușul acumulatorului în mașină și porniți mașina. La pornirea mașinii, sârma este tăiată automat.

NOTĂ: Asigurați-vă că, la pornirea mașinii, indicatorul corespunzător modului de legare s-a aprins. Dacă nu se aprinde, reîncărcați acumulatorul.

3. Eliberați elementul de blocare a butonului declanșator.
► Fig.24: 1. Buton de blocare a butonului declanșator
2. Buton declanșator 3. Buton de alimentare
4. Indicator mod legare

Mod de acționare unică

1. Apăsați ferm cu brațul pe punctul de legare. Apăsați cu mașina în poziție verticală pe barele pentru armături, apăsând în același timp cu brațul pe punctul în care barele se intersectează, într-un unghi de 45 de grade.

► Fig.25

2. Apăsați o singură dată pe butonul declanșator.
3. Sârma este alimentată și tăiată automat.
4. Cârligul prinde și răsuște sârma, apoi revine în poziția inițială, după ce firele au fost legate.
► Fig.26

5. După legare, aveți grijă să nu vă agățați brațul în barele pentru armături și ridicați mașina.

⚠ATENȚIE: Dacă sârma s-a agățat în piesa de legare din vârful mașinii, opriti mașina. Blocați butonul declanșator, scoateți cartușul acumulatorului și demontați sârma cu ajutorul unor unelte cum ar fi cleștii.

► Fig.27

Mod de acționare continuă

1. Comutați mașina din modul de acționare unică în modul de acționare continuă folosind butonul de comutare a modurilor.

► Fig.28: 1. Butonul de comutare a modurilor

2. Eliberați elementul de blocare a butonului declanșator.
3. Acționând butonul declanșator, apăsați cu mașina în poziție verticală pe barele pentru armături, apăsând în același timp cu brațul pe punctul în care barele se intersectează, într-un unghi de 45 de grade. Apăsați ferm plăcuța de contact pe punctul de legare. Sârma va fi legată.
► Fig.29: 1. Plăcuță de contact

4. După legare, aveți grijă să nu vă agățați brațul în barele pentru armături și ridicați mașina.

► Fig.30

Măsuri de precauție în timpul lucrului

- Dacă, pe durata procesului de legare cu sârmă, mișcați brațul din poziția de legare, sârma se va bloca în cârlig, existând riscul unei legări incorecte.
- Țineți apăsat cu mașina pe barele pentru armături până când procesul de legare cu sârmă este finalizat.
- Nu treceți la următorul punct de legare până când nu veți fi finalizat procesul curent de legare.
- Piesa rotativă (cârligul) din vârful mașinii răsucesce sârma pe durata procesului de legare cu sârmă. Țineți mânerul strâns, astfel încât corpul să reziste forței de tragere a mașinii.
- Nu atingeți sârma pe durata procesului de legare cu sârmă.
- Dacă repetați procesele de legare cu sârmă în modul de acționare unică, luați degetul de pe butonul declanșator. Apoi, folosiți în continuare butonul declanșator.
- Dacă acționați butonul declanșator atunci când sârma de legat s-a terminat, este afișată o eroare. Înlocuiți cu altă sârmă și reporniți mașina.

Sugestii de legare

- Înclinați mașina la 45 de grade față de punctul în care se intersectează barele pentru armături și legați-le alternativ, după cum se indică în figură.
- Fig.31
- Evitați secțiunile bombate ale barelor pentru armături.
- Fig.32
- Dacă legătura nu este suficient de rezistentă, schimbați poziția de legare și legați barele de două ori, astfel încât legătura să fie mai rezistentă.
- Fig.33

NOTĂ: La realizarea celei de-a doua legături, îndoiiți capătul primei legături, înainte de a o realiza pe a doua. În caz contrar, este posibil ca a doua oară sârma să fie respinsă. Aceasta se poate agăța în vârful mașinii, iar cârligul se poate deteriora.

Înlocuirea sârmei de legat

ATENȚIE: La înlocuirea sârmei, opriți mașina, asigurați-vă că blocați butonul declanșator și scoateți cartușul acumulatorului. În caz contrar, există pericol de accident.

1. La terminarea sârmei, se va auzi un sunet de eroare și pe ecran va apărea eroarea „1”.
 2. Blocați butonul declanșator, opriți mașina și scoateți cartușul acumulatorului.
 3. Apăsăți pârghia de eliberare și blocați-o cu pârghia de blocare.
- Fig.34: 1. Pârghie de eliberare 2. Pârghie de blocare
4. Scoateți rola de sârmă din mașină.

NOTĂ: În mod normal, atunci când sârma se termină, pe rolă ar mai trebui să rămână aproximativ 20 cm de sârmă. În acest stadiu, înlocuiți rola de sârmă cu alta nouă.

Dacă rola este dificil de scos din mașină, urmați pașii de mai jos.

1. Introduceți cartușul acumulatorului în mașină și porniți mașina. Mașina alimentează sârma și o taie automat.
2. Blocați butonul declanșator, opriți mașina și scoateți cartușul acumulatorului.
3. Scoateți bucățile de sârmă rupte folosind unelte cum ar fi cleștii.

ÎNȚEȚINERE

ATENȚIE: Asigurați-vă întotdeauna că mașina este oprită și cartușul acumulatorului scos înainte de a executa lucrările de inspecție și întreținere.

NOTĂ: Nu utilizați niciodată gazolină, benzină, diluant, alcool sau alte substanțe asemănătoare. În caz contrar, pot rezulta decolorări, deformări sau fisuri.

Pentru a menține SIGURANȚA și FIABILITATEA produsului, reparațiile și orice alte lucrări de întreținere sau reglare trebuie executate de centre de service Makita autorizate sau proprii, folosind întotdeauna piese de schimb Makita.

Depozitarea cheii imbus

Păstrați cheia imbus în poziția indicată în figură.

► Fig.35: 1. Cheie imbus

Curățarea cuțitului

Atunci când mașina este folosită o perioadă mai lungă de timp, în secțiunea cuțitului pot intra praf și particule de sârmă. În acest caz, demontați și curățați cuțitul conform procedurii de mai jos.

Dacă în secțiunea cuțitului se prinde o bucată de sârmă, aceasta poate fi îndepărtată urmând aceeași procedură.

Dezasamblarea și curățarea

1. Slăbiți șuruburile A și B folosind cheia imbus furnizată odată cu mașina.

► Fig.36: 1. Șurub A 2. Șurub B 3. Capac plăcuță de contact 4. Ghidaj sârmă B

NOTĂ: Nu scoateți forțat niciun șurub care nu poate fi deșurubat folosind cheia imbus.

2. Trageți de capacul plăcuței de contact în direcția indicată de săgeată și îndepărtați-l. Odată cu acesta va ieși și șurubul B.

► Fig.37: 1. Capac plăcuță de contact 2. Șurub B

3. Scoateți șurubul A și ghidajul de sârmă B.

► Fig.38: 1. Șurub A 2. Ghidaj sârmă B

4. Întoarceți ghidajul de sârmă B invers și curățați-l pe interior.

► Fig.39

5. Demontați cuțitul A, cuțitul B, plăcuța superioară și brațul de legătură A de pe plăcuța brațului A. Apoi, curățați-le.

► Fig.40: 1. Cuțit B 2. Braț de legătură A 3. Cuțit A 4. Plăcuță braț A 5. Plăcuță superioară

Asamblarea

După ce ați terminat de curățat piesele, asamblați-le la loc urmând procedura de mai jos.

1. Montați cuțitul A și brațul de legătură A astfel încât să intre în plăcuța brațului A.

► **Fig.41:** 1. Cuțit A 2. Braț de legătură A 3. Plăcuță braț A

2. Montați cuțitul B și plăcuța superioară pe plăcuța brațului A.

(Montați cuțitul B pe cuțitul A și brațul de legătură A.)

► **Fig.42:** 1. Cuțit B 2. Plăcuță superioară 3. Plăcuță braț A 4. Cuțit A 5. Braț de legătură A

NOTĂ: Poziționați cuțitul B cu proeminența în jos și montați-l după cum se indică în figură.

3. Aliniați țeava mașinii cu canelura din interiorul ghidajului de sârmă B și asamblați-le.

► **Fig.43:** 1. Țeavă 2. Canelură 3. Ghidaj sârmă B

4. Fixați ghidajul de sârmă B strângând temporar șurubul A.

► **Fig.44:** 1. Șurub A 2. Ghidaj sârmă B

5. Montați capacul plăcuței de contact în direcția indicată de săgeată.

► **Fig.45:** 1. Capac plăcuță de contact

6. Fixați bine ghidajul de sârmă B și capacul plăcuței de contact strângând șuruburile A și B.

► **Fig.46:** 1. Ghidaj sârmă B 2. Capac plăcuță de contact 3. Șurub A 4. Șurub B

7. După asamblare, asigurați-vă că plăcuța de contact se poate mișca după cum se indică în figură.

► **Fig.47:** 1. Plăcuță de contact

NOTĂ: Dacă plăcuța de contact s-a blocat, apăsați pe ea, după cum se indică în figură.

► **Fig.48**

Afișarea erorilor și sunetul de eroare

ATENȚIE: Pe durata inspecției, asigurați-vă că blocați butonul declanșator, opriți mașina și scoateți cartușul acumulatorului. În caz contrar, există pericol de accident.

ATENȚIE: Atunci când porniți mașina, nu apropiați membrele sau fața de piesele de legare sau rotative din vârful mașinii. În caz contrar, este posibil să vă accidentați.

ATENȚIE: Atunci când mașina este pornită, nu atingeți piesele de legare sau rotative din vârful mașinii. În caz contrar, este posibil să vă accidentați.

ATENȚIE: Dacă se aude un sunet de eroare sau dacă mașina funcționează necorespunzător, opriți-o imediat.

Sunetul de eroare și afișarea erorilor

Dacă se produce o eroare, se va auzi un sunet, iar pe ecran va apărea un număr. Consultați tabelul de mai jos și luați măsurile care se impun. Dacă eroarea persistă, adresați-vă centrelor de service autorizate Makita pentru efectuarea reparațiilor.

Afișaj	Simptom	Cauză posibilă	Soluție
1	Mașina nu mai funcționează.	S-a terminat sârma.	Încărcați altă sârmă de legat.
		Sârma nu este încărcată.	Încărcați sârma de legat.
		Mașina nu mai alimentează cu sârmă.	Verificați poziția sârmei de legat. Scoateți sârma de legat și încărcați-o din nou. Curățați canalul pentru sârmă.
2	Mașina nu mai funcționează.	Ghidajul spiralat este deschis.	Închideți ghidajul spiralat.
3	Mașina nu realizează procesul de legare în modul de acționare continuă.	Plăcuța de contact s-a blocat.	Deblocați plăcuța de contact.
4	Mașina nu pornește. Mașina nu mai funcționează.	Acumulatorul s-a descărcat. Temperatura cartușului acumulatorului este anormal de ridicată.	Reîncărcați acumulatorul. Lăsați cartușul acumulatorului să se răcească. Înlocuiți cartușul acumulatorului cu unul reîncărcat.
5	Mașina nu mai funcționează.	Motorul s-a supraîncălzit.	Stabiliți cauza care împiedică rotirea motorului și rezolvați problema.
		Defecțiune motor	
6	Mașina nu mai funcționează.	Temperatura mașinii este anormal de ridicată.	Lăsați mașina să se răcească.
7	Mașina nu pornește. Mașina nu mai funcționează.	Defecțiune mașină	Apelați la centre de service autorizat Makita pentru reparații.

ACCESORII OPȚIONALE

⚠️ ATENȚIE: Folosiți accesoriile sau piesele auxiliare recomandate pentru mașina dumneavoastră Makita în acest manual. Utilizarea oricăror alte accesorii sau piese auxiliare poate prezenta risc de vătămare corporală. Utilizați accesoriile și piesele auxiliare numai în scopul destinat.

Dacă aveți nevoie de asistență sau de mai multe detalii referitoare la aceste accesorii, adresați-vă centrului local de service Makita.

- Sârmă de legat
- Acumulator și încărcător original Makita

NOTĂ: Unele articole din listă pot fi incluse ca accesorii standard în ambalajul de scule. Acestea pot diferi în funcție de țară.

TECHNISCHE DATEN

Modell:	DTR180
Bindedraht (Sonderzubehör)	ø0,8 mm
Durchmesser von Bewehrungsstäben, die gebunden werden können	Von #3 x #3 bis (#4 x 2) x (#4 x 2) Von 10 mm x 10 mm bis (13 mm x 2) x (13 mm x 2)
Ungefähre Anzahl von Bindungen pro Spule	Ca. 120 Bindungen
Gesamtlänge	304 mm
Nennspannung	14,4/18 V Gleichstrom
Nettogewicht	2,3 - 2,6 kg

- Wir behalten uns vor, Änderungen der technischen Daten im Zuge der Entwicklung und des technischen Fortschritts ohne vorherige Ankündigung vorzunehmen.
- Die technischen Daten und der Akku können von Land zu Land unterschiedlich sein.
- Das Gewicht kann abhängig von dem Aufsatz (den Aufsätzen), einschließlich des Akkus, unterschiedlich sein. Die leichteste und die schwerste Kombination, gemäß dem EPTA-Verfahren 01/2014, sind in der Tabelle angegeben.

Zutreffende Akkus und Ladegeräte

Akku	14,4-V-Gleichstrom-Modell	BL1415N / BL1430 / BL1430B / BL1440 / BL1450 / BL1460B
	18-V-Gleichstrom-Modell	BL1815N / BL1820 / BL1820B / BL1830 / BL1830B / BL1840 / BL1840B / BL1850 / BL1850B / BL1860B
Ladegerät		DC18RC / DC18RD / DC18RE / DC18SD / DC18SE / DC18SF

- Einige der oben aufgelisteten Akkus und Ladegeräte sind je nach Ihrem Wohngebiet eventuell nicht erhältlich.

⚠️ WARNUNG: Verwenden Sie nur die oben aufgeführten Akkus und Ladegeräte. Bei Verwendung irgendwelcher anderer Akkus und Ladegeräte besteht Verletzungs- und/oder Brandgefahr.

Kombination von Bewehrungsstäben, die gebunden werden können

Kombination von 2 Bewehrungsstäben

	#3 (10 mm)	#4 (13 mm)	#5 (16 mm)
#3 (10 mm)	✓	✓	✓
#4 (13 mm)	✓	✓	✓
#5 (16 mm)	✓	✓	✓

Kombination von 3 Bewehrungsstäben

	#3 x #3 (10 mm x 10 mm)	#4 x #4 (13 mm x 13 mm)
#3 (10 mm)	✓	✓
#4 (13 mm)	✓	✓
#5 (16 mm)	✓	-

Kombination von 4 Bewehrungsstäben

	#3 x #3 (10 mm x 10 mm)	#4 x #4 (13 mm x 13 mm)
#3 x #3 (10 mm x 10 mm)	✓	✓
#4 x #4 (13 mm x 13 mm)	✓	✓

ANMERKUNG: Falls eine Lücke zwischen Bewehrungsstäben besteht oder das Werkzeug in einer falschen Orientierung verwendet wird, können die Bewehrungsstäbe u. U. nicht gebunden werden.

Symbole

Nachfolgend werden die für das Gerät verwendeten Symbole beschrieben. Machen Sie sich vor der Benutzung mit ihrer Bedeutung vertraut.



Betriebsanleitung lesen.



Schutzbrille tragen.



Setzen Sie das Gerät keinem Regen aus.



Halten Sie Ihre Hände beim Betrieb des Werkzeugs von der Drahtrolle oder dem Draht fern.



Halten Sie Ihre Hände von der Werkzeugspitze fern.



Nur für EU-Länder
Werfen Sie Elektrogeräte oder Akkus nicht in den Hausmüll!

Unter Einhaltung der Europäischen Richtlinie über Elektro- und Elektronik-Altgeräte, Batterien, Akkus sowie verbrauchte Batterien und Akkus und ihre Umsetzung gemäß den Landesgesetzen müssen Elektrogeräte und Batterien bzw. Akkus, die das Ende ihrer Lebensdauer erreicht haben, getrennt gesammelt und einer umweltgerechten Recycling-Einrichtung zugeführt werden.

Vorgesehene Verwendung

Das Werkzeug ist zum Binden von Bewehrungsstäben vorgesehen.

Geräusch

Typischer A-bewerteter Geräuschpegel ermittelt gemäß EN60745-2-18 (EN12549):

Schalldruckpegel (L_{pA}): 78 dB (A)

Messunsicherheit (K): 3 dB (A)

Der Geräuschpegel kann während des Betriebs 80 dB (A) überschreiten.

⚠️ WARNUNG: Einen Gehörschutz tragen.

Schwingungen

Schwingungsgesamtwert (Drei-Achsen-Vektorsumme) ermittelt gemäß EN60745-2-18 (ISO8662-11):

Arbeitsmodus: Binden von Metallstangen

Schwingungsemission (a_h): 2,5 m/s^2 oder weniger

Messunsicherheit (K): 1,5 m/s^2

HINWEIS: Der angegebene Schwingungsemissionswert wurde im Einklang mit der Standardprüfmethode gemessen und kann für den Vergleich zwischen Werkzeugen herangezogen werden.

HINWEIS: Der angegebene Schwingungsemissionswert kann auch für eine Vorbewertung des Gefährdungsgrads verwendet werden.

⚠️ WARNUNG: Die Schwingungsemission während der tatsächlichen Benutzung des Werkzeugs kann je nach der Benutzungsweise des Werkzeugs vom angegebenen Emissionswert abweichen.

⚠️ WARNUNG: Identifizieren Sie Sicherheitsmaßnahmen zum Schutz des Benutzers anhand einer Schätzung des Gefährdungsgrads unter den tatsächlichen Benutzungsbedingungen (unter Berücksichtigung aller Phasen des Arbeitszyklus, wie z. B. Ausschalt- und Leerlaufzeiten des Werkzeugs zusätzlich zur Betriebszeit).

EG-Konformitätserklärung

Nur für europäische Länder

Die EG-Konformitätserklärung ist als Anhang A in dieser Bedienungsanleitung enthalten.

SICHERHEITSWARNUNGEN

Allgemeine Sicherheitswarnungen für Elektrowerkzeuge

⚠️ WARNUNG: Lesen Sie alle mit diesem Elektrowerkzeug gelieferten Sicherheitswarnungen, Anweisungen, Abbildungen und technischen Daten durch. Eine Missachtung der unten aufgeführten Anweisungen kann zu einem elektrischen Schlag, Brand und/oder schweren Verletzungen führen.

Bewahren Sie alle Warnungen und Anweisungen für spätere Bezugnahme auf.

Der Ausdruck „Elektrowerkzeug“ in den Warnhinweisen bezieht sich auf Ihr mit Netzstrom (mit Kabel) oder Akku (ohne Kabel) betriebenes Elektrowerkzeug.

Sicherheitswarnungen für Akku-Drahtbindemaschine

1. **Richten Sie das Werkzeug niemals auf eine Person. Halten Sie niemals Ihre Hände oder Füße in die Nähe der Werkzeugspitze.** Falls Sie das Werkzeug versehentlich betätigen, während es mit einer Person in Kontakt ist, führt das zu einem unerwarteten Unfall.
2. **Laden Sie keinen Draht, während die Stromversorgung des Werkzeugs eingeschaltet ist.** Anderenfalls können Sie im Draht hängen bleiben und verletzt werden.

3. **Benutzen Sie das Werkzeug nicht, ohne die Rollenabdeckung zu schließen.** Anderenfalls kann sich die Drahtrolle lösen und einen Unfall verursachen.
4. **Prüfen Sie vor Beginn der Arbeit unbedingt, dass die Durchmesser der zu bindenden Bewehrungsstäbe innerhalb der Werkzeugkapazität liegen.**
5. **Tragen Sie Kleidung mit eng anliegenden Säumen und Ärmeln. Arbeiten Sie nicht, wenn ein Handtuch oder ein anderer Gegenstand um Ihren Hals gewickelt ist.** Anderenfalls können sie sich im rotierenden Teil verfangen und einen Unfall verursachen.
6. **Überprüfen Sie unbedingt die folgenden Punkte, bevor Sie das Werkzeug benutzen.**
 - Stellen Sie sicher, dass keine Teile beschädigt sind.
 - Stellen Sie sicher, dass keine Schrauben locker sind.
 - Stellen Sie sicher, dass die Sicherheitsvorrichtungen normal funktionieren.
7. **Falls Sie irgendwelche Unregelmäßigkeiten feststellen, brechen Sie sofort die Benutzung des Werkzeugs ab. Unterlassen Sie eigenmächtige Reparaturen des Werkzeugs. Wenden Sie sich bezüglich einer Reparatur an Ihre örtliche Makita-Kundendienststelle.** Wird das Werkzeug in einem unvollständigen Zustand benutzt, kann ein Unfall auftreten.
8. **Wenn Sie den Akku installieren, verriegeln Sie unbedingt den Auslöser, und legen Sie nicht Ihren Finger auf den Auslöser.** Fehlbedienung kann einen Unfall verursachen.
9. **Achten Sie beim Binden von Bewehrungsstäben darauf, dass sie nicht verschoben werden.** Falls Bewehrungsstäbe sich durch das Binden verschieben, können Sie verletzt werden.
10. **Berühren Sie nicht die Drähte während des Drahtbindevorgangs.** Anderenfalls können Sie im Draht hängen bleiben und verletzt werden.
11. **Bringen Sie während des Drahtbindevorgangs nicht Ihre Hände in die Nähe des Bindepunkts.** Anderenfalls können Sie im Draht hängen bleiben und verletzt werden.
12. **Halten Sie den Griff des Werkzeugs während des Drahtbindevorgangs sicher fest.** Anderenfalls kann Ihr Handgelenk verdreht oder Ihr Körper gezogen werden, was zu einer Verletzung führen kann.
13. **Gehen Sie nicht eher zum nächsten Bindepunkt über, bis der aktuelle Drahtbindevorgang abgeschlossen ist.** Anderenfalls können Sie verletzt werden.
14. **Achten Sie während des Drahtbindevorgangs auf das Drahtende.** Anderenfalls kann Ihre Hand vom Drahtende erfasst werden, so dass Sie verletzt werden können.
15. **Berühren Sie während des Drahtbindevorgangs nicht die Kontaktplatte. Wenn Sie die Kontaktplatte berühren müssen, verriegeln Sie unbedingt den Auslöser, oder schalten Sie den Ein-Aus-Schalter aus, und entfernen Sie den Akku.** Anderenfalls können Sie verletzt werden.
16. **Wenn Sie den Drahtbindevorgang abgeschlossen haben, ziehen Sie das Werkzeug senkrecht nach oben.** Anderenfalls kann der Arm an Bewehrungsstäben hängen bleiben, was einen Unfall verursachen kann.
17. **Achten Sie darauf, dass Sie das Werkzeug nicht fallen lassen, anstoßen oder schlagen. Falls das Werkzeug vor der Benutzung einer starken Erschütterung ausgesetzt wird, vergewissern Sie sich, dass das Werkzeug nicht beschädigt oder gerissen ist, und dass die Sicherheitsvorrichtungen normal funktionieren.** Anderenfalls kann ein Unfall auftreten.
18. **Sollte eines der folgenden Phänomene auftreten, verriegeln Sie den Auslöser, schalten Sie den Ein-Aus-Schalter aus, und entfernen Sie den Akku vom Werkzeug.** Falls das Werkzeug nicht richtig funktioniert, kann ein Unfall auftreten.
 - Falls ein Betriebsgeräusch zu hören ist, sobald der Akku montiert wird.
 - Falls Überhitzung oder ungewöhnliche Geräusche festgestellt werden.
 - Wenn Sie Maßnahmen in Reaktion auf die Fehleranzeige ergreifen. (Wenden Sie sich bezüglich einer Reparatur an Ihre örtliche Makita-Kundendienststelle.)
 - Wenn Sie eine Drahtrolle einlegen oder herausnehmen.
 - Wenn Sie sich bewegen, während Sie das Werkzeug während der Arbeit halten.
 - Wenn Sie das Werkzeug nicht benutzen.
 - Wenn Sie das Werkzeug überprüfen oder einstellen.
 - Wenn Sie einen festsitzenden Draht entfernen.
19. **Wenn Sie auf einem Gerüst arbeiten, sorgen Sie stets für dessen Stabilisierung, und arbeiten Sie mit einer Körperhaltung, bei der gewährleistet ist, dass Sie Ihre Balance behalten.** Falls das Gerüst instabil ist, kann ein Unfall auftreten.
20. **Wenn Sie auf einem Dach oder an ähnlichen Orten arbeiten, bewegen Sie sich während der Arbeit in einer Vorwärtsrichtung, damit Sie sehen können, wohin Sie gehen.** Falls Sie sich während der Arbeit in einer Rückwärtsrichtung bewegen, können Sie Ihren Halt verlieren und einen Unfall verursachen.
21. **Wenn Sie an einem hoch gelegenen Ort arbeiten, stellen Sie sicher, dass sich keine Personen unter Ihnen befinden, und achten Sie darauf, dass Sie während der Arbeit keine Werkzeuge fallen lassen.** Fallenlassen des Werkzeugs kann einen Unfall verursachen.
22. **Benutzen Sie das Werkzeug nur zum Drahtbinden.** Anderenfalls kann ein Unfall auftreten.
23. **Verwenden Sie stets Originaldrähte von Makita. Wenn Drähte längere Zeit nicht verwendet werden, können sie rosten. Verwenden Sie keine verrosteten Drähte.** Anderenfalls können sie einen Unfall verursachen.
24. **Überprüfen Sie die Drähte nach dem Binden auf Bruch durch übermäßiges Verdrehen. Falls Drähte gebrochen sind, geht die Bindestärke verloren. Stellen Sie die Bindestärke ein, und binden Sie die Bewehrungsstäbe erneut.**
25. **Halten Sie den Arm sicher gegen die Bewehrungsstäbe.** Wird der Arm nicht sicher positioniert, entsteht eine Lücke zwischen den Bewehrungsstäben, wodurch die Bindestärke beeinträchtigt wird.

Wichtige Sicherheitsanweisungen für Akku

1. Lesen Sie vor der Benutzung des Akkus alle Anweisungen und Warnhinweise, die an (1) Ladegerät, (2) Akku und (3) Akkuwerkzeug angebracht sind.
2. Unterlassen Sie ein Zerlegen des Akkus.
3. Falls die Betriebszeit beträchtlich kürzer geworden ist, stellen Sie den Betrieb sofort ein. Andernfalls besteht die Gefahr von Überhitzung, möglichen Verbrennungen und sogar einer Explosion.
4. Falls Elektrolyt in Ihre Augen gelangt, waschen Sie sie mit sauberem Wasser aus, und begeben Sie sich unverzüglich in ärztliche Behandlung. Andernfalls können Sie Ihre Sehkraft verlieren.
5. Der Akku darf nicht kurzgeschlossen werden:
 - (1) Die Kontakte dürfen nicht mit leitfähigem Material berührt werden.
 - (2) Lagern Sie den Akku nicht in einem Behälter zusammen mit anderen Metallgegenständen, wie z. B. Nägel, Münzen usw.
 - (3) Setzen Sie den Akku weder Wasser noch Regen aus.

Ein Kurzschluss des Akkus verursacht starken Stromfluss, der Überhitzung, mögliche Verbrennungen und einen Defekt zur Folge haben kann.

6. Lagern Sie das Werkzeug und den Akku nicht an Orten, an denen die Temperatur 50 °C erreichen oder überschreiten kann.
7. Versuchen Sie niemals, den Akku zu verbrennen, selbst wenn er stark beschädigt oder vollkommen verbraucht ist. Der Akku kann im Feuer explodieren.
8. Achten Sie darauf, dass der Akku nicht fallen gelassen oder Stößen ausgesetzt wird.
9. Benutzen Sie keine beschädigten Akkus.
10. Die enthaltenen Lithium-Ionen-Akkus unterliegen den Anforderungen der Gefahrgut-Gesetzgebung.

Für kommerzielle Transporte, z. B. durch Dritte oder Spediteure, müssen besondere Anforderungen zu Verpackung und Etikettierung beachtet werden.

Zur Vorbereitung des zu transportierenden Artikels ist eine Beratung durch einen Experten für Gefahrgut erforderlich. Bitte beachten Sie möglicherweise ausführlichere nationale Vorschriften. Überkleben oder verdecken Sie offene Kontakte, und verpacken Sie den Akku so, dass er sich in der Verpackung nicht umher bewegen kann.
11. Befolgen Sie die örtlichen Bestimmungen bezüglich der Entsorgung von Akkus.
12. Verwenden Sie die Akkus nur mit den von Makita angegebenen Produkten. Das Einsetzen der Akkus in nicht konforme Produkte kann zu einem Brand, übermäßiger Hitzebildung, einer Explosion oder Auslaufen von Elektrolyt führen.

DIESE ANWEISUNGEN AUFBEWAHREN.

⚠ VORSICHT: Verwenden Sie nur Original-Makita-Akkus. Die Verwendung von Nicht-Original-Makita-Akkus oder von Akkus, die abgeändert worden sind, kann zum Bersten des Akkus und daraus resultierenden Bränden, Personenschäden und Beschädigung führen. Außerdem wird dadurch die Makita-Garantie für das Makita-Werkzeug und -Ladegerät ungültig.

Hinweise zur Aufrechterhaltung der maximalen Akku-Nutzungsdauer

1. Laden Sie den Akku, bevor er vollkommen erschöpft ist. Schalten Sie das Werkzeug stets aus, und laden Sie den Akku, wenn Sie ein Nachlassen der Werkzeulleistung feststellen.
2. Unterlassen Sie erneutes Laden eines voll aufgeladenen Akkus. Überladen führt zu einer Verkürzung der Nutzungsdauer des Akkus.
3. Laden Sie den Akku bei Raumtemperatur zwischen 10 – 40 °C. Lassen Sie einen heißen Akku abkühlen, bevor Sie ihn laden.
4. Der Akku muss geladen werden, wenn er lange Zeit (länger als sechs Monate) nicht benutzt wird.

FUNKTIONSBESCHREIBUNG

⚠ VORSICHT: Vergewissern Sie sich vor der Durchführung von Einstellungen oder Funktionsprüfungen des Werkzeugs stets, dass das Werkzeug ausgeschaltet und der Akku abgenommen ist.

Anbringen und Abnehmen des Akkus

⚠ VORSICHT: Schalten Sie das Werkzeug stets aus, bevor Sie den Akku anbringen oder abnehmen.

⚠ VORSICHT: Halten Sie das Werkzeug und den Akku beim Anbringen oder Abnehmen des Akkus sicher fest. Wenn Sie das Werkzeug und den Akku nicht sicher festhalten, können sie Ihnen aus der Hand rutschen, was zu einer Beschädigung des Werkzeugs und des Akkus und zu Körperverletzungen führen kann.

► **Abb.1:** 1. Rote Anzeige 2. Knopf 3. Akku

Ziehen Sie den Akku zum Abnehmen vom Werkzeug ab, während Sie den Knopf an der Vorderseite des Akkus verschieben.

Richten Sie zum Anbringen des Akkus dessen Führungsfeder auf die Nut im Gehäuse aus, und schieben Sie den Akku hinein. Schieben Sie ihn vollständig ein, bis er mit einem hörbaren Klicken einrastet. Falls die rote Anzeige an der Oberseite des Knopfes sichtbar ist, ist der Akku nicht vollständig verriegelt.

⚠ VORSICHT: Schieben Sie den Akku stets bis zum Anschlag ein, bis die rote Anzeige nicht mehr sichtbar ist. Anderenfalls kann er aus dem Werkzeug herausfallen und Sie oder umstehende Personen verletzen.

⚠ VORSICHT: Unterlassen Sie Gewaltanwendung beim Anbringen des Akkus. Falls der Akku nicht reibungslos hineingeleitet, ist er nicht richtig ausgerichtet.

Anzeigen der Akku-Restkapazität

Nur für Akkus mit Anzeige

► **Abb.2:** 1. Anzeigelampen 2. Prüftaste

Drücken Sie die Prüftaste am Akku, um die Akku-Restkapazität anzuzeigen. Die Anzeigelampen leuchten wenige Sekunden lang auf.

Anzeigelampen			Restkapazität
Erleuchtet	Aus	Blinkend	
			75 % bis 100 %
			50% bis 75%
			25% bis 50%
			0% bis 25%
			Den Akku aufladen.
			Möglicherweise liegt eine Funktionsstörung im Akku vor.

HINWEIS: Abhängig von den Benutzungsbedingungen und der Umgebungstemperatur kann die Anzeige geringfügig von der tatsächlichen Kapazität abweichen.

Werkzeug/Akku-Schutzsystem

Das Werkzeug ist mit einem Werkzeug/Akku-Schutzsystem ausgestattet. Dieses System schaltet die Stromversorgung des Motors automatisch ab, um die Lebensdauer von Werkzeug und Akku zu verlängern. Das Werkzeug bleibt während des Betriebs automatisch stehen, wenn das Werkzeug oder der Akku einer der folgenden Bedingungen unterliegt:

Überlastschutz

Wird der Akku auf eine Weise benutzt, die eine ungewöhnlich hohe Stromaufnahme bewirkt, bleibt das Werkzeug automatisch stehen, und die entsprechende Fehlernummer wird auf dem Anzeigefeld angezeigt. Schalten Sie in dieser Situation das Werkzeug aus, und brechen Sie die Arbeit ab, die eine Überlastung des Werkzeugs verursacht hat. Schalten Sie dann das Werkzeug wieder ein, um neu zu starten.

Überhitzungsschutz

Wenn das Werkzeug oder der Akku überhitzt wird, bleibt das Werkzeug automatisch stehen, und die entsprechende Fehlernummer wird auf dem Anzeigefeld angezeigt. Lassen Sie das Werkzeug und den Akku in diesem Fall abkühlen, bevor Sie das Werkzeug wieder einschalten.

Überentladungsschutz

Wenn die Akkukapazität unzureichend wird, bleibt das Werkzeug automatisch stehen, und die entsprechende Fehlernummer wird auf dem Anzeigefeld angezeigt. Nehmen Sie in diesem Fall den Akku vom Werkzeug ab, und laden Sie ihn auf.

Hauptbetriebsschalter

⚠ VORSICHT: Bringen Sie Ihre Gliedmaßen oder Ihr Gesicht beim Einschalten der Stromversorgung niemals in die Nähe der Binde- oder Rotationsteile der Werkzeugschneidspitze. Anderenfalls können Sie verletzt werden.

⚠ VORSICHT: Berühren Sie beim Einschalten der Stromversorgung niemals die Binde- oder Rotationsteile der Werkzeugschneidspitze. Anderenfalls können Sie verletzt werden.

⚠ VORSICHT: Nehmen Sie vor dem Einsetzen des Akkus unbedingt Ihre Finger vom Auslöseschalter, und verriegeln Sie den Auslöser. Falls Sie den Akku einsetzen, während der Auslöseschalter betätigt wird, kann ein Unfall verursacht werden, falls der Drahtbindevorgang versehentlich ausgeführt wird.

► **Abb.3**

Wenn Sie die Ein-Aus-Taste drücken, wird die Stromversorgung eingeschaltet, und die Bindemoduslampe leuchtet auf. Das Werkzeug wird vorübergehend in Betrieb gesetzt, damit es seine Ausgangsposition einstellen kann. Wenn die Einstellung abgeschlossen ist, bleibt das Werkzeug automatisch stehen. Wenn Sie die Ein-Aus-Taste erneut drücken, wird die Stromversorgung ausgeschaltet, und die Bindemoduslampe erlischt.

► **Abb.4:** 1. Bindemoduslampe 2. Ein-Aus-Taste

HINWEIS: Das Werkzeug verfügt über eine Abschaltautomatik. Wird der Auslöseschalter 10 Minuten lang nicht betätigt, schaltet sich das Werkzeug automatisch aus, um den Akku zu schonen.

HINWEIS: Um das Werkzeug wieder zu starten, schalten Sie die Stromversorgung wieder ein.

Betriebsart-Umschalttaste


Wenn die Stromversorgung eingeschaltet wird und die Bindemoduslampe aufleuchtet, können Sie den Einzelauslösungsmodus oder den Dauerauslösungsmodus über die Betriebsart-Umschalttaste wählen. Wenn Sie die Stromversorgung wieder einschalten, startet das Werkzeug in dem zuletzt gewählten Modus.

► **Abb.5:**

1. Betriebsart-Umschalttaste
2. Einzelauslösungsmodus
3. Dauerauslösungsmodus

Schalterfunktion

⚠️ WARNUNG: Vergewissern Sie sich vor dem Einsetzen des Akkus in das Werkzeug stets, dass der Ein-Aus-Schalter ordnungsgemäß funktioniert und beim Loslassen in die AUS-Stellung zurückkehrt.

⚠️ VORSICHT: Wenn Sie das Werkzeug nicht benutzen, drücken Sie den Auslösersperreknopf auf der Seite  hinein, um den Auslöseschalter in der Stellung AUS zu verriegeln.

► **Abb.6:** 1. Auslöseschalter 2. Auslösersperreknopf

Um versehentliche Betätigung des Auslöseschalters zu verhindern, ist das Werkzeug mit einem Auslösersperreknopf ausgestattet. Um das Werkzeug zu starten, drücken Sie den Auslösersperreknopf auf der Seite A hinein, und betätigen Sie den Auslöseschalter. Zum Anhalten lassen Sie den Auslöseschalter los. Drücken Sie den Auslösersperreknopf nach der Benutzung auf der Seite B hinein.

Wenn Sie den Auslöseschalter betätigen, führt das Werkzeug die nächsten sequentiellen Vorgänge wie folgt aus, und dann bleibt das Werkzeug automatisch stehen.

1. Draht zuführen.
2. Draht abschneiden.
3. Der Haken hält und verdreht den Draht.
4. Der Haken kehrt zur Ausgangsposition zurück.

Einstellung der Bindestärke

⚠️ VORSICHT: Verriegeln Sie unbedingt den Auslöser, bevor Sie mit der Einstellung beginnen. Bringen Sie Ihre Gliedmaßen oder Ihr Gesicht beim Einschalten der Stromversorgung niemals in die Nähe der Binde- oder Rotationsteile der Werkzeugschneidspitze. Anderenfalls können Sie verletzt werden.

► **Abb.7**

Sie können die Bindestärke mithilfe der Bindestärken-Einstelltaste festlegen. Die Bindestärke wird auf dem Anzeigefeld angezeigt.

► **Abb.8:** 1. Bindestärken-Einstelltaste 2. Anzeigefeld

Falls der Draht abbricht, geht die Bindestärke verloren. Überprüfen Sie den verdrehten Teil nach dem Binden auf Bruch.

Falls der Draht abbricht, stellen Sie die Bindestärke mithilfe der Bindestärken-Einstelltaste ein, und binden Sie die Bewehrungsstäbe erneut.

Akku-Restladungsanzeige

Wenn die Akkuspannung unter das erforderliche Niveau abfällt, stellt das Werkzeug den Betrieb ein, ein Fehlerton ertönt, und die Nummer „4“ erscheint auf dem Anzeigefeld. Der Fehlerton ertönt so lange, bis die Stromversorgung ausgeschaltet wird.

HINWEIS: Bei äußerst niedriger Umgebungstemperatur kann der Fehlerton ertönen, selbst wenn der Akku noch genügend Spannung aufweist.

MONTAGE

⚠️ VORSICHT: Vergewissern Sie sich vor der Ausführung von Arbeiten am Werkzeug stets, dass das Werkzeug ausgeschaltet und der Akku abgenommen ist.

Einlegen des Bindedrahts (Drahtrolle)

⚠️ VORSICHT: Bevor Sie Bindedrähte und Zubehörteile montieren oder demontieren, sollten Sie unbedingt die Stromversorgung ausschalten, den Auslöser verriegeln und den Akku entfernen. Anderenfalls kann es zu einem Unfall kommen.

ANMERKUNG: Die Verwendung anderer Drähte als die Original-Bindedrähte von Makita (geglühte Drähte) kann eine Funktionsstörung des Werkzeugs verursachen.

1. Drücken Sie den Entriegelungshebel, und verriegeln Sie ihn mit dem Sperrhebel.

► **Abb.9:** 1. Entriegelungshebel 2. Sperrhebel

Wenn Sie den Entriegelungshebel drücken, entsteht eine Lücke zwischen dem linken und rechten Vorschubzahnrad.

► **Abb.10:** 1. Entriegelungshebel 2. Sperrhebel 3. Vorschubzahnrad

2. Lösen Sie das Band ab, das den Draht hält, und ziehen Sie das Drahtende heraus.

► **Abb.11:** 1. Band 2. Drahtende

3. Öffnen Sie die Rollenabdeckung.

► **Abb.12:** 1. Rollenabdeckung

4. Setzen Sie die Drahtrolle in das Werkzeug in der Orientierung ein, wie in der Abbildung gezeigt.

► **Abb.13:** 1. Drahtrolle

ANMERKUNG: Setzen Sie die Drahtrolle unbedingt in der Orientierung ein, wie in der Abbildung gezeigt. Wird die Rolle anders herum eingesetzt, wird der Draht freigegeben und kann verdreht werden.

5. Biegen Sie das Drahtende gerade, und führen Sie den Draht durch die Führung.

► **Abb.14:** 1. Führung

HINWEIS: Falls das Drahtende in verbogenem Zustand durch die Führung geführt wird, kann sich der Draht im Werkzeug verklemmen.

HINWEIS: Wenn Sie versuchen, den Draht gewaltsam durch die Führung zu führen, kann sich der Draht verklemmen.

6. Ziehen Sie den Draht ungefähr 10 mm weit von der Spitze des Arms heraus.

► **Abb.15:** 1. Arm 2. Ungefähr 10 mm

ANMERKUNG: Falls die Länge des herausgezogenen Drahtes unzureichend ist, kann der Draht beim Binden abbrechen, oder die Bindestärke kann wegen ungenügender Windungen beeinträchtigt werden.

7. Entfernen Sie das ganze Band, das den Draht hält.

► **Abb.16**

8. Wickeln Sie den Draht auf, um seinen Durchhang zu beseitigen.

► **Abb.17**

9. Lösen Sie den Sperrhebel. Der Entriegelungshebel kehrt zurück, und der Draht wird vom linken und rechten Zahnrad gehalten.

► **Abb.18:** 1. Entriegelungshebel 2. Sperrhebel

► **Abb.19:** 1. Zahnrad 2. Drahtgang 3. Draht

ANMERKUNG: Wenn der Sperrhebel freigegeben wird und das linke und rechte Zahnrad miteinander kämmen, bilden die Nuten in den Zahnradern einen Hohlraum. Dieser Hohlraum wird der Gang für den Draht. Vergewissern Sie sich, dass der Draht durch diesen Gang verläuft.

10. Schließen Sie die Rollenabdeckung.

► **Abb.20:** 1. Rollenabdeckung

BETRIEB

Überprüfung vor der Arbeit

VORSICHT: Falls das Werkzeug ein auf den Sicherheitsmechanismus bezogenes Problem aufweist, benutzen Sie es nicht. Falls Sie es weiter benutzen, kann ein Unfall auftreten.

Vergewissern Sie sich vor der Benutzung des Werkzeugs, dass der Sicherheitsmechanismus einwandfrei funktioniert. Falls das Werkzeug läuft, ohne dass der Sicherheitsmechanismus funktioniert, brechen Sie die Benutzung des Werkzeugs sofort ab. Wenden Sie sich bezüglich einer Reparatur an Ihre örtliche Makita-Kundendienststelle.

Überprüfen der Auslösersperre

Das Werkzeug weist eine Auslösersperre auf, die den Betrieb des Werkzeugs verhindert, wenn Sie nicht beabsichtigen, es zu benutzen. Sperren Sie den Auslöser, und prüfen Sie nach, dass der Auslöserschalter nicht betätigt werden kann.

Überprüfen der Windungsführung

Um zu verhindern, dass der Bediener die Binde- oder Rotationsteile der Werkzeugspitze versehentlich berührt, läuft das Werkzeug bei offener Windungsführung nicht, selbst wenn der Auslöserschalter betätigt wird. Wenn der Bediener seinen Finger vom Auslöserschalter nimmt und die Windungsführung schließt, kann das Werkzeug in Betrieb genommen werden.

► **Abb.21:** 1. Windungsführung

Überprüfen der Erkennung von Öffnen/ Schließen der Windungsführung

Entfernen Sie den Bindedraht, überprüfen Sie den Werkzeugbetrieb gemäß den folgenden Schritten, und vergewissern Sie sich, dass das Werkzeug bei offener Windungsführung nicht startet.

1. Schalten Sie die Stromversorgung aus, und lassen Sie die Windungsführung offen.

2. Schalten Sie die Stromversorgung ein.

Falls das Werkzeug nicht funktioniert und die Zahl „2“ auf dem Anzeigefeld erscheint, ist der Zustand des Werkzeugs normal. Schalten Sie die Stromversorgung aus, und schließen Sie die Windungsführung. Falls das Werkzeug funktioniert und kein Fehler auf dem Anzeigefeld erscheint, ist der Zustand des Werkzeugs anormal. Brechen Sie die Benutzung des Werkzeugs sofort ab, und wenden Sie sich bezüglich einer Reparatur an Ihre örtliche Makita-Kundendienststelle.

VORSICHT: Wenn Sie die Windungsführung öffnen und die Stromversorgung einschalten, um die Sperre zu überprüfen, halten Sie die Windungsführung so, wie in der Abbildung gezeigt. Bringen Sie Ihre Gliedmaßen oder Ihr Gesicht niemals in die Nähe der Binde- oder Rotationsteile der Werkzeugspitze. Anderenfalls können Sie verletzt werden.

► **Abb.22**

Bindearbeit

VORSICHT: Nehmen Sie vor dem Einsetzen des Akkus unbedingt Ihre Finger vom Auslöserschalter, und verriegeln Sie den Auslöser. Falls Sie den Akku einsetzen, während der Auslöserschalter betätigt wird, kann ein Unfall verursacht werden, falls der Drahtbindevorgang versehentlich ausgeführt wird.

VORSICHT: Bringen Sie Ihre Gliedmaßen oder Ihr Gesicht beim Einschalten der Stromversorgung niemals in die Nähe der Binde- oder Rotationsteile der Werkzeugspitze. Anderenfalls können Sie verletzt werden.

VORSICHT: Berühren Sie beim Einschalten der Stromversorgung niemals die Binde- oder Rotationsteile der Werkzeugspitze. Anderenfalls können Sie verletzt werden.

► **Abb.23**

Vorbereitung vor der Arbeit

1. Vergewissern Sie sich, dass der Akku abgenommen und der Auslöser verriegelt ist.

2. Setzen Sie den Akku in das Werkzeug ein, und schalten Sie die Stromversorgung ein. Beim Einschalten der Stromversorgung wird der Draht automatisch abgeschnitten.

ANMERKUNG: Vergewissern Sie sich, dass die Bindemoduslampe beim Einschalten der Stromversorgung aufleuchtet. Falls sie nicht aufleuchtet, laden Sie den Akku auf.

3. Lassen Sie die Auslösersperre los.

► **Abb.24:** 1. Auslösersperkнопf 2. Auslöserschalter 3. Ein-Aus-Taste 4. Bindemoduslampe

Einzelauslösungsmodus

1. Drücken Sie den Arm sicher gegen den Bindepunkt. Drücken Sie das Werkzeug senkrecht gegen die Bewehrungsstäbe, und drücken Sie den Arm gegen den Punkt, an dem sich die Bewehrungsstäbe in einem Winkel von 45 Grad schneiden.

► **Abb.25**

2. Betätigen Sie den Auslöseschalter einmal.

3. Der Draht wird vorgeschoben und automatisch abgeschnitten.

4. Der Haken hält und verdreht den Draht. Dann kehrt er auf die Ausgangsposition zurück, nachdem die Drähte gebunden worden sind.

► **Abb.26**

5. Achten Sie nach dem Binden darauf, dass der Arm nicht an den Bewehrungsstäben hängen bleibt, und ziehen Sie das Werkzeug hoch.

⚠ VORSICHT: Falls sich der Draht an den Bindeteil der Werkzeugspitze festgeklammert hat, schalten Sie die Stromversorgung des Werkzeugs aus. Verriegeln Sie den Auslöser, nehmen Sie den Akku ab, und entfernen Sie den Draht mithilfe eines Werkzeugs, wie z. B. einer Kneifzange oder Spitzzange.

► **Abb.27**

Dauerauslösungsmodus

1. Schalten Sie die Betriebsart des Werkzeugs mithilfe der Betriebsart-Umschalttaste von Einzelauslösungsmodus auf Dauerauslösungsmodus um.

► **Abb.28:** 1. Betriebsart-Umschalttaste

2. Lassen Sie die Auslösersperre los.

3. Drücken Sie das Werkzeug bei betätigtem Auslöseschalter senkrecht gegen die Bewehrungsstäbe, und drücken Sie den Arm gegen den Punkt, an dem sich die Bewehrungsstäbe in einem Winkel von 45 Grad schneiden. Drücken Sie die Kontaktplatte fest gegen den Bindepunkt. Der Draht wird gebunden.

► **Abb.29:** 1. Kontaktplatte

4. Achten Sie nach dem Binden darauf, dass der Arm nicht an den Bewehrungsstäben hängen bleibt, und ziehen Sie das Werkzeug hoch.

► **Abb.30**

Vorsichtshinweise zum Arbeiten

- Falls Sie den Arm während des Drahtbindevorgangs von der Bindeposition verlagern, bleibt der Draht am Haken hängen, was zu einem Bindefehler führen kann.
- Halten Sie das Werkzeug so lange gegen die Bewehrungsstäbe gedrückt, bis der Drahtbindevorgang abgeschlossen ist.
- Gehen Sie nicht eher zum nächsten Bindepunkt über, bis der aktuelle Drahtbindevorgang abgeschlossen ist.
- Der Rotationsteil (Haken) der Werkzeugspitze verdreht den Draht während des Drahtbindevorgangs. Halten Sie den Griff gut fest, damit Ihr Körper nicht vom Werkzeug gezogen wird.
- Berühren Sie nicht die Drähte während des Drahtbindevorgangs.

- Wenn Sie die Drahtbindevorgänge im Einzelauslösungsmodus wiederholen, lassen Sie den Auslöseschalter vollkommen los. Setzen Sie dann die Betätigung des Auslöseschalters fort.
- Falls Sie den Auslöseschalter betätigen, wenn kein Bindedraht mehr übrig ist, wird ein Fehler angezeigt. Legen Sie neuen Bindedraht ein, und starten Sie das Werkzeug erneut.

Bindetipps

- Neigen Sie das Werkzeug in einem Winkel von 45° zu den gekreuzten Bewehrungsstäben, und binden Sie abwechselnd, wie in der Abbildung gezeigt.

► **Abb.31**

- Vermeiden Sie die dickeren Abschnitte der Bewehrungsstäbe.

► **Abb.32**

- Falls die Bindestärke unzureichend ist, ändern Sie die Bindeorientierung, und führen Sie den Bindevorgang zweimal aus, um die Bindestärke zu erhöhen.

► **Abb.33**

ANMERKUNG: Wenn Sie den zweiten Bindevorgang ausführen, biegen Sie das Ende der ersten Bindung, bevor Sie die zweite Bindung vornehmen. Anderenfalls wird der Draht möglicherweise ein zweites Mal abgestoßen. Er kann sich an der Werkzeugspitze festklammern, und der Haken kann beschädigt werden.

Austauschen der Bindedrähte

⚠ VORSICHT: Wenn Sie den Draht austauschen, sollten Sie unbedingt die Stromversorgung ausschalten, den Auslöser verriegeln und den Akku entfernen. Anderenfalls kann es zu einem Unfall kommen.

1. Wenn der Draht aufgebraucht ist, ertönt ein Fehlerton, und der Fehler „1“ wird angezeigt.
2. Verriegeln Sie den Auslöser, schalten Sie die Stromversorgung aus, und entfernen Sie den Akku.
3. Drücken Sie den Entriegelungshebel, und verriegeln Sie ihn mit dem Sperrhebel.
► **Abb.34:** 1. Entriegelungshebel 2. Sperrhebel
4. Nehmen Sie die Drahtrolle aus dem Werkzeug heraus.

HINWEIS: Bei normalem Drahtverbrauch bleiben ungefähr 20 cm Draht auf der Rolle aufgewickelt. Ersetzen Sie die Drahtrolle in diesem Zustand durch eine neue.

Falls es schwierig ist, die Drahtrolle aus dem Werkzeug herauszunehmen, führen Sie die nachstehenden Schritte aus.

1. Setzen Sie den Akku in das Werkzeug ein, und schalten Sie die Stromversorgung ein. Das Werkzeug schiebt den Draht vor und schneidet ihn automatisch ab.
2. Verriegeln Sie den Auslöser, schalten Sie die Stromversorgung aus, und entfernen Sie den Akku.
3. Entfernen Sie die Drahtstücke mithilfe eines Werkzeugs, wie z. B. einer Kneifzange oder Spitzzange.

WARTUNG

⚠ VORSICHT: Vergewissern Sie sich vor der Durchführung von Inspektions- oder Wartungsarbeiten stets, dass das Werkzeug ausgeschaltet und der Akku abgenommen ist.

ANMERKUNG: Verwenden Sie auf keinen Fall Benzin, Waschbenzin, Verdünnern, Alkohol oder dergleichen. Solche Mittel können Verfärbung, Verformung oder Rissbildung verursachen.

Um die SICHERHEIT und ZUVERLÄSSIGKEIT dieses Produkts zu gewährleisten, sollten Reparaturen und andere Wartungs- oder Einstellarbeiten nur von Makita-Vertragswerkstätten oder Makita-Kundendienstzentren unter ausschließlicher Verwendung von Makita-Originalersatzteilen ausgeführt werden.

Aufbewahrung des Inbusschlüssels

Bewahren Sie den Inbusschlüssel an der in der Abbildung gezeigten Stelle auf.

► **Abb.35:** 1. Inbusschlüssel

Reinigen des Schneidglieds

Wenn das Werkzeug über eine längere Zeitspanne hinweg benutzt wird, können sich Staub und Drahtpartikel im Schneidgliedabschnitt ansammeln. Zerlegen und reinigen Sie in einem solchen Fall das Schneidglied nach dem folgenden Verfahren.

Falls sich ein Draht im Schneidgliedabschnitt verklemmt, kann er nach dem gleichen Verfahren entfernt werden.

Zerlegen und Reinigen

1. Lösen Sie die Schrauben A und B mit dem in der Werkzeugverpackung enthaltenen Inbusschlüssel.

► **Abb.36:** 1. Schraube A 2. Schraube B
3. Kontaktplattenabdeckung
4. Drahtführung B

ANMERKUNG: Unterlassen Sie gewaltsames Entfernen von Schrauben, die nicht mit dem Inbusschlüssel gelöst werden können.

2. Ziehen Sie die Kontaktplattenabdeckung in Pfeilrichtung hoch und weg. Gleichzeitig wird auch die Schraube B entfernt.

► **Abb.37:** 1. Kontaktplattenabdeckung 2. Schraube B

3. Entfernen Sie die Schraube A und die Drahtführung B.

► **Abb.38:** 1. Schraube A 2. Drahtführung B

4. Drehen Sie die Drahtführung B um, und reinigen Sie ihre Innenseite.

► **Abb.39**

5. Entfernen Sie Schneidglied A, Schneidglied B, Deckplatte und Gelenkarm A von der Armplatte A. Reinigen Sie dann die Teile.

► **Abb.40:** 1. Schneidglied B 2. Gelenkarm A 3. Schneidglied A 4. Armplatte A
5. Deckplatte

Montieren

Montieren Sie die Teile nach Abschluss der Reinigung nach dem folgenden Verfahren.

1. Installieren Sie Schneidglied A und Gelenkarm A so, dass sie an die Form der Armplatte A angepasst sind.

► **Abb.41:** 1. Schneidglied A 2. Gelenkarm A
3. Armplatte A

2. Installieren Sie Schneidglied B und Deckplatte an Armplatte A.

(Installieren Sie Schneidglied B an Schneidglied A und Gelenkarm A.)

► **Abb.42:** 1. Schneidglied B 2. Deckplatte
3. Armplatte A 4. Schneidglied A
5. Gelenkarm A

ANMERKUNG: Richten Sie den Vorsprung von Schneidglied B nach unten, und installieren Sie das Schneidglied so, wie in der Abbildung gezeigt.

3. Richten Sie das Rohr des Werkzeugs auf die Nut in der Drahtführung B aus, und bauen Sie die Teile zusammen.

► **Abb.43:** 1. Rohr 2. Nut 3. Drahtführung B

4. Befestigen Sie die Drahtführung B durch provisorisches Anziehen der Schraube A.

► **Abb.44:** 1. Schraube A 2. Drahtführung B

5. Installieren Sie die Kontaktplattenabdeckung in Pfeilrichtung.

► **Abb.45:** 1. Kontaktplattenabdeckung

6. Befestigen Sie die Drahtführung B und die Kontaktplattenabdeckung sicher durch Anziehen der Schraube A und der Schraube B.

► **Abb.46:** 1. Drahtführung B
2. Kontaktplattenabdeckung 3. Schraube A
4. Schraube B

7. Vergewissern Sie sich nach der Montage, dass sich die Kontaktplatte so bewegen kann, wie in der Abbildung gezeigt.

► **Abb.47:** 1. Kontaktplatte

HINWEIS: Falls die Kontaktplatte hängen bleibt, drücken Sie darauf, wie in der Abbildung gezeigt.

► **Abb.48**

Fehleranzeige und Fehlerton

⚠ VORSICHT: Denken Sie vor der Inspektion unbedingt daran, den Auslöser zu verriegeln, die Stromversorgung auszuschalten und den Akku zu entfernen. Anderenfalls kann es zu einem Unfall kommen.

⚠ VORSICHT: Bringen Sie Ihre Gliedmaßen oder Ihr Gesicht beim Einschalten der Stromversorgung niemals in die Nähe der Binde- oder Rotationsteile der Werkzeugspitze. Anderenfalls können Sie verletzt werden.

⚠ VORSICHT: Berühren Sie beim Einschalten der Stromversorgung niemals die Binde- oder Rotationsteile der Werkzeugspitze. Anderenfalls können Sie verletzt werden.

⚠ VORSICHT: Falls ein Fehlerton ertönt, oder eine Funktionsstörung am Werkzeug auftritt, brechen Sie sofort die Benutzung des Werkzeugs ab.

Fehlerton und Fehleranzeige

Falls ein Fehler auftritt, ertönt ein Fehlerton, und eine Fehlernummer erscheint auf dem Anzeigefeld. Nehmen Sie auf die folgende Tabelle Bezug, und ergreifen Sie entsprechende Maßnahmen. Falls der Fehler bestehen bleibt, wenden Sie sich bezüglich einer Reparatur an ein autorisiertes Makita-Servicecenter.

Anzeige	Symptom	Mögliche Ursache	Lösung
1	Das Werkzeug stellt den Betrieb ein.	Der Draht ist aufgebraucht worden.	Legen Sie neuen Bindedraht ein.
		Es ist kein Bindedraht eingelegt.	Legen Sie Bindedraht ein.
		Der Drahtvorschub hat versagt.	Überprüfen Sie die Orientierung des Bindedrahts. Nehmen Sie den Bindedraht heraus, und legen Sie ihn erneut ein. Reinigen Sie den Drahtgang.
2	Das Werkzeug stellt den Betrieb ein.	Die Windungsführung ist offen.	Schließen Sie die Windungsführung.
3	Das Werkzeug führt den Bindevorgang nicht im Dauerauslösemodus aus.	Die Kontaktplatte ist verklemmt.	Lösen Sie die Verklemmung der Kontaktplatte.
4	Das Werkzeug startet nicht. Das Werkzeug stellt den Betrieb ein.	Der Akku ist entladen. Die Temperatur des Akkus ist ungewöhnlich hoch.	Laden Sie den Akku auf. Kühlen Sie den Akku ab. Ersetzen Sie den Akku durch einen aufgeladenen.
5	Das Werkzeug stellt den Betrieb ein.	Der Motor ist überlastet.	Ermitteln Sie die Ursache der Behinderung der Motordrehung, und beheben Sie das Problem.
		Motorstörung	
6	Das Werkzeug stellt den Betrieb ein.	Die Temperatur des Werkzeugs ist ungewöhnlich hoch.	Kühlen Sie das Werkzeug ab.
7	Das Werkzeug startet nicht. Das Werkzeug stellt den Betrieb ein.	Werkzeugstörung	Wenden Sie sich bezüglich einer Reparatur an ein autorisiertes Makita-Servicecenter.

SONDERZUBEHÖR

⚠ VORSICHT: Die folgenden Zubehörteile oder Vorrichtungen werden für den Einsatz mit dem in dieser Anleitung beschriebenen Makita-Werkzeug empfohlen. Die Verwendung anderer Zubehörteile oder Vorrichtungen kann eine Verletzungsgefahr darstellen. Verwenden Sie Zubehörteile oder Vorrichtungen nur für ihren vorgesehenen Zweck.

Wenn Sie weitere Einzelheiten bezüglich dieser Zubehörteile benötigen, wenden Sie sich bitte an Ihre Makita-Kundendienststelle.

- Bindedraht
- Original-Makita-Akku und -Ladegerät

HINWEIS: Manche Teile in der Liste können als Standardzubehör im Werkzeugsatz enthalten sein. Sie können von Land zu Land unterschiedlich sein.

Makita Europe N.V. Jan-Baptist Vinkstraat 2,
3070 Kortenberg, Belgium

Makita Corporation 3-11-8, Sumiyoshi-cho,
Anjo, Aichi 446-8502 Japan

www.makita.com

885636-977 EN, PL, HU, SK, CS, UK, RO, DE 20180412
