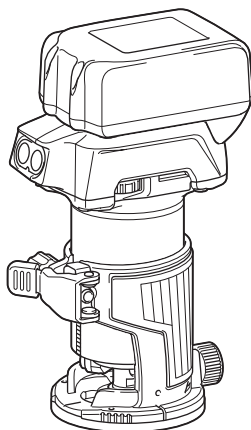




EN	Cordless Trimmer	INSTRUCTION MANUAL	13
PL	Frezarko-wycinarka akumulatorowa	INSTRUKCJA OBSŁUGI	22
HU	Akkumulátoros felsőmaró	HASZNÁLATI KÉZIKÖNYV	32
SK	Akumulátorová fréza	NÁVOD NA OBSLUHU	41
CS	Akumulátorový zastříhovač	NÁVOD K OBSLUZE	50
UK	Бездротовий тример	ІНСТРУКЦІЯ З ЕКСПЛУАТАЦІЇ	59
RO	Motocosoitoare fără cablu	MANUAL DE INSTRUCȚIUNI	69
DE	Akku-Multifunktionsfräse	BETRIEBSANLEITUNG	78

DRT50



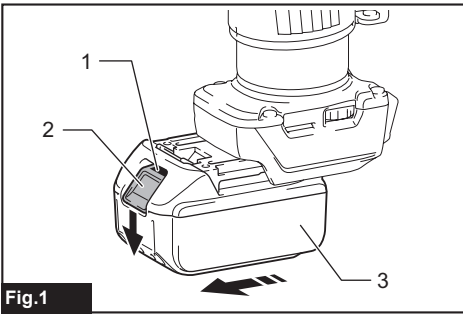


Fig.1

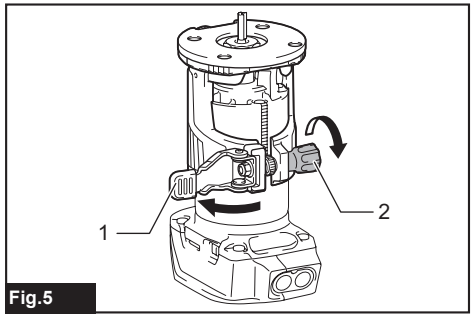


Fig.5

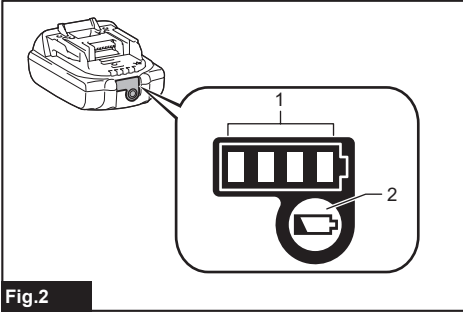


Fig.2

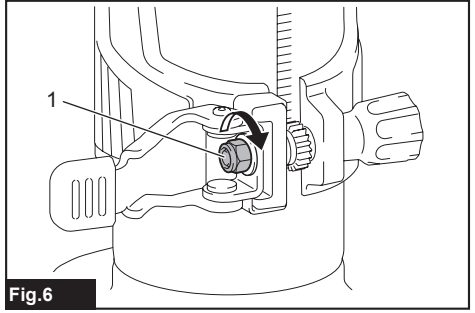


Fig.6

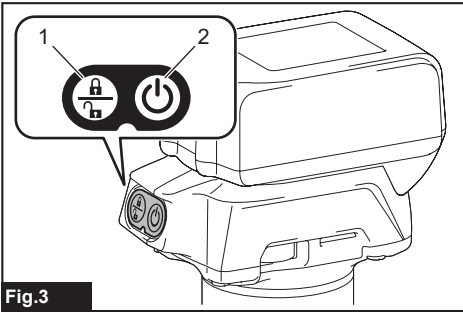


Fig.3

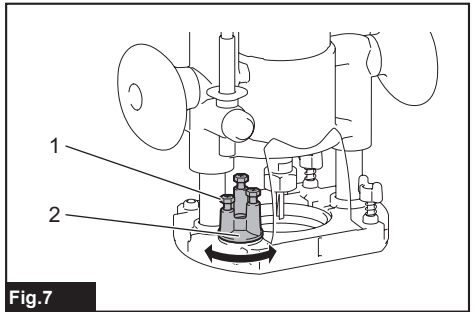


Fig.7

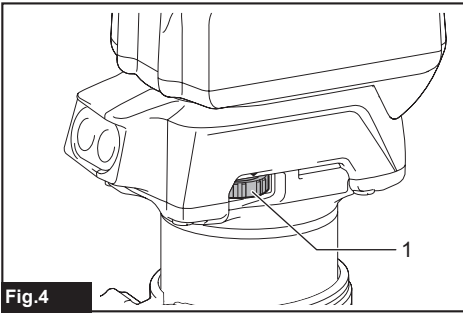


Fig.4

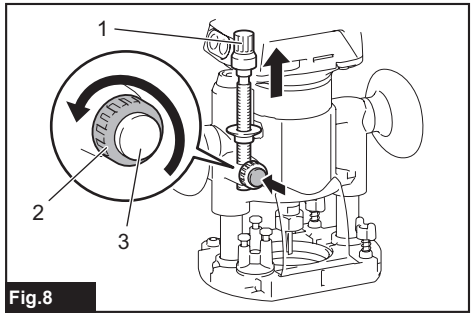
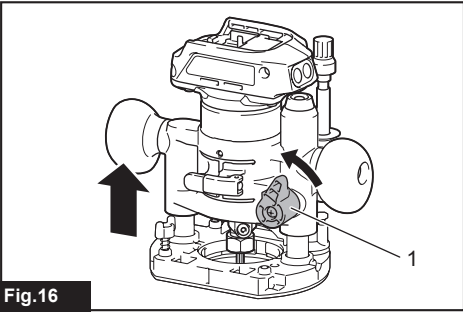
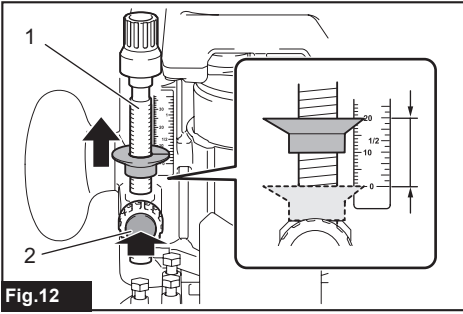
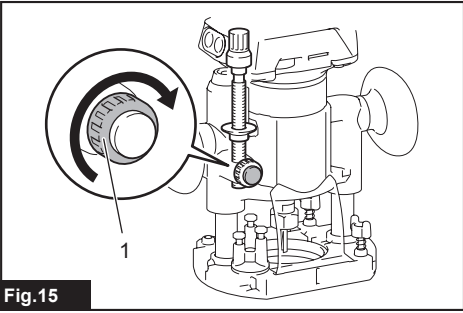
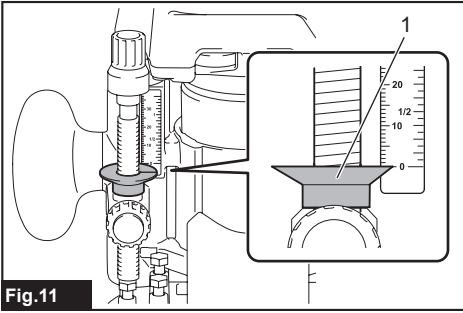
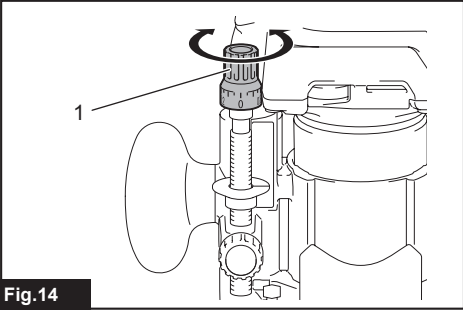
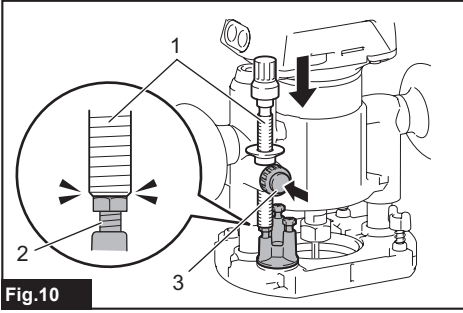
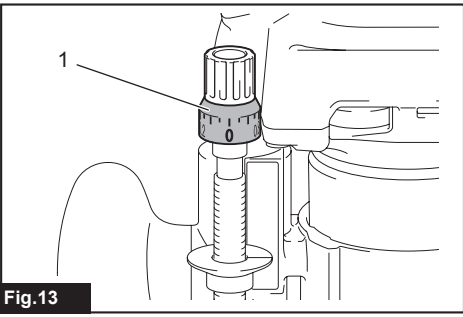
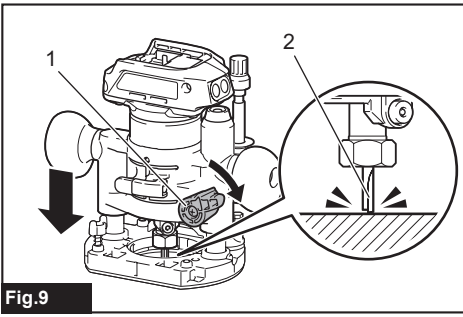


Fig.8



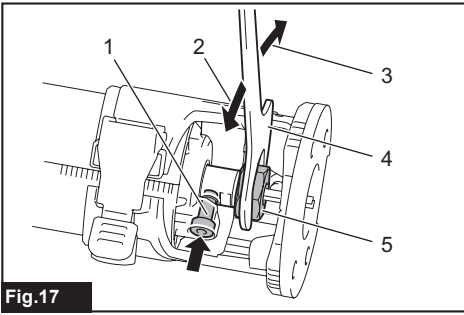


Fig.17

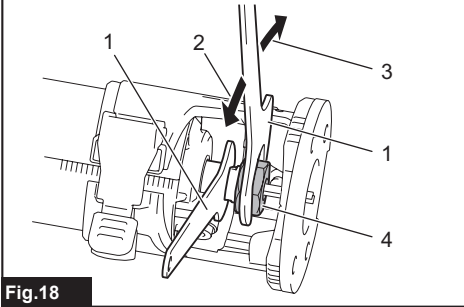


Fig.18

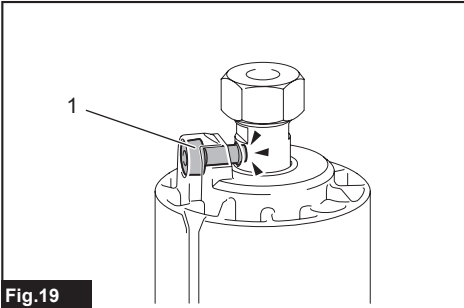


Fig.19

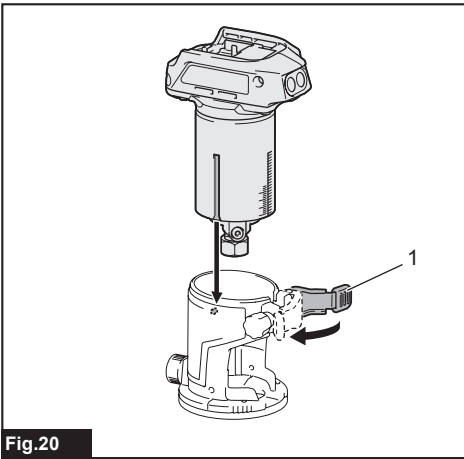


Fig.20

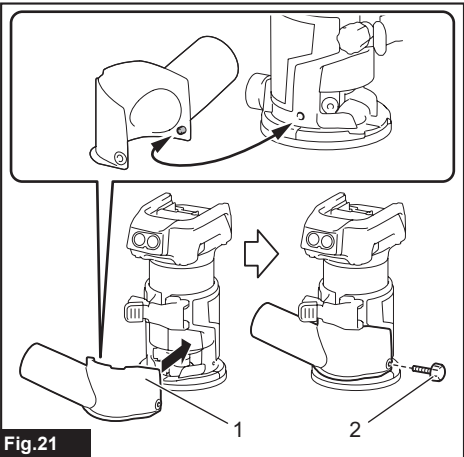


Fig.21

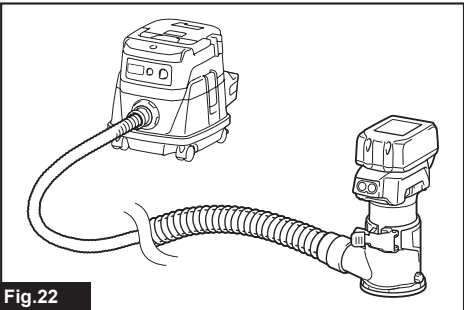


Fig.22

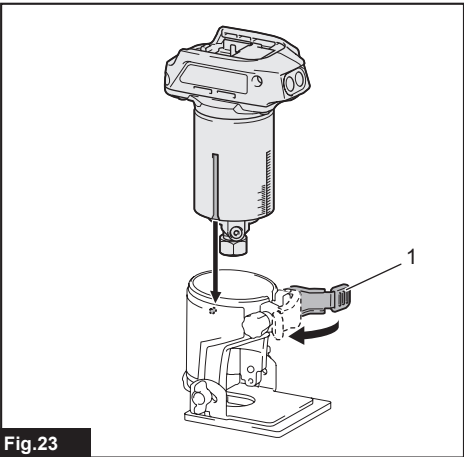
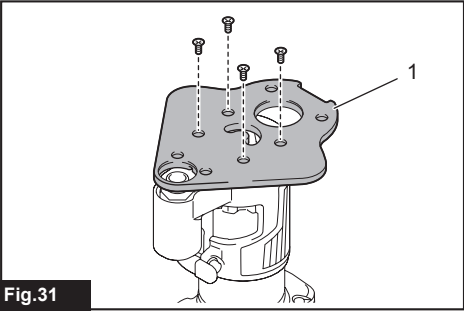
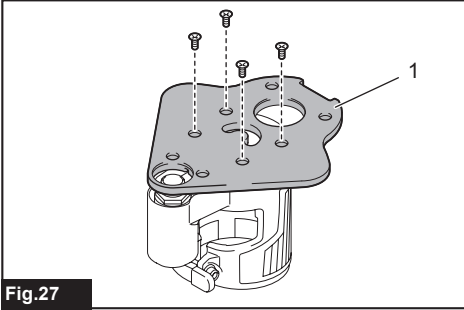
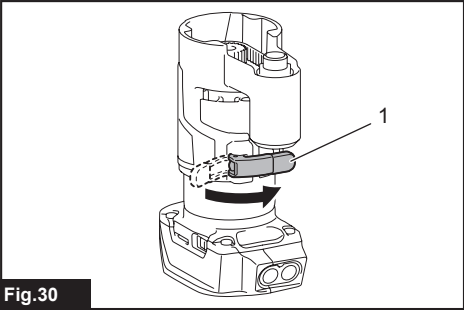
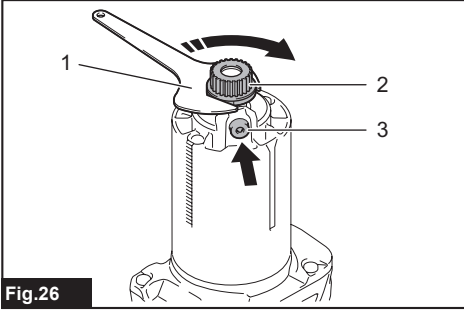
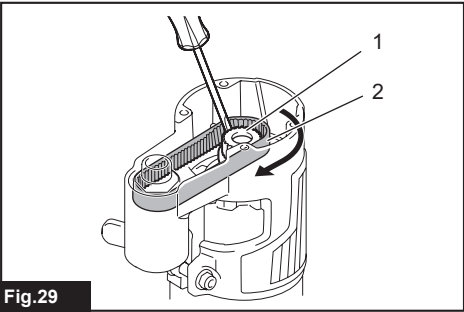
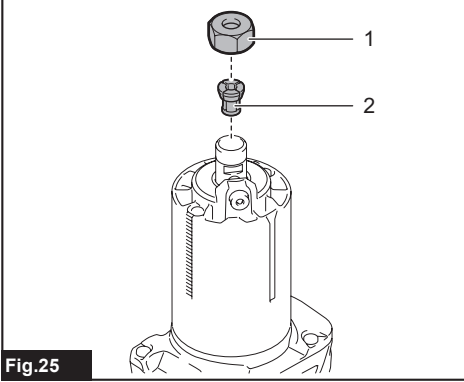
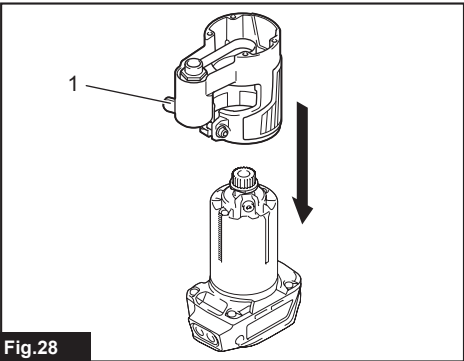
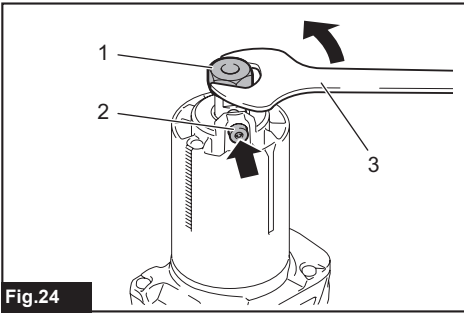
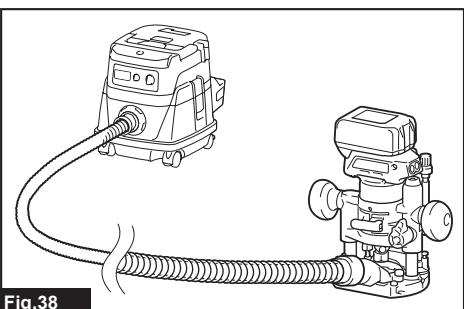
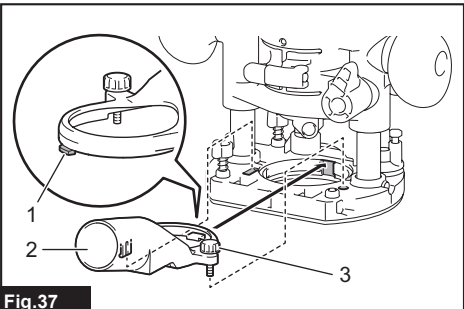
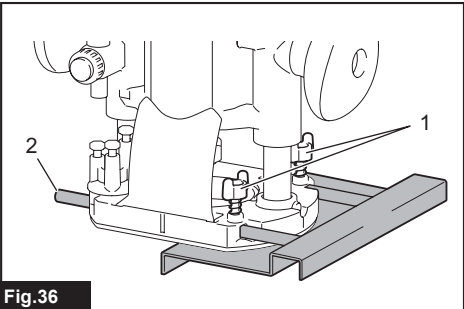
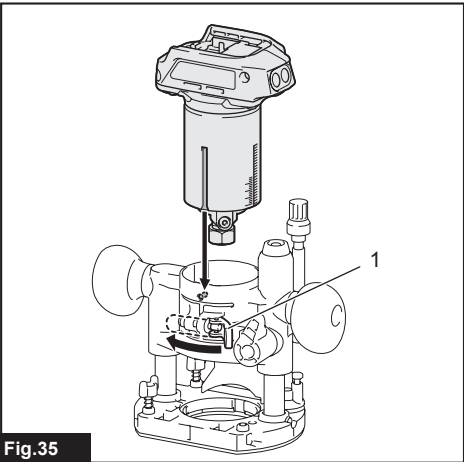
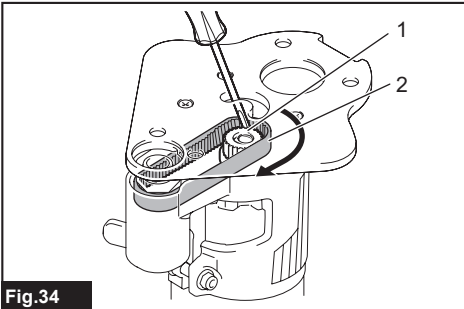
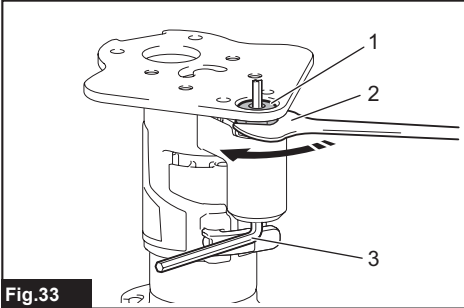
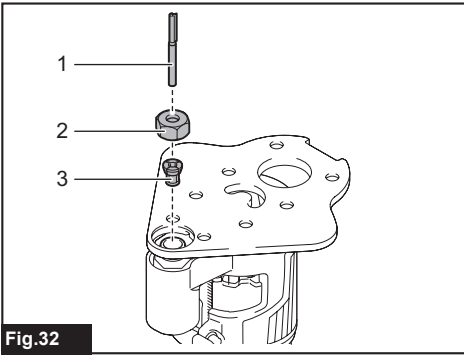


Fig.23





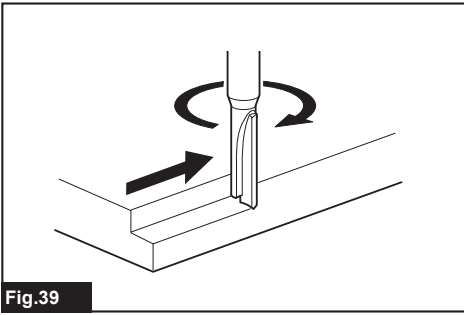


Fig.39

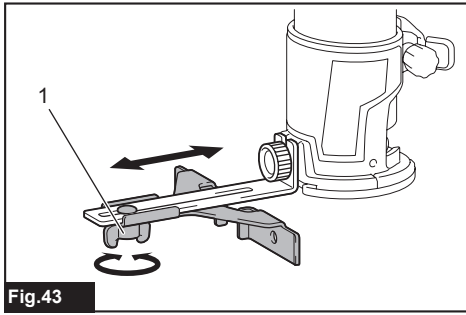


Fig.43

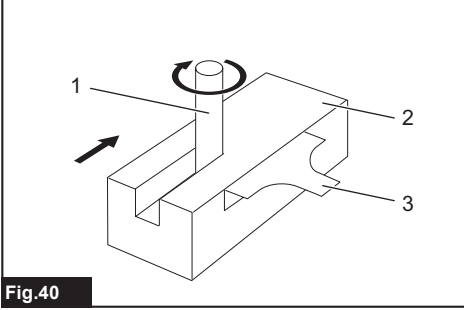


Fig.40

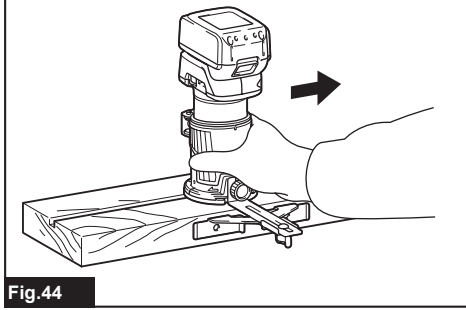


Fig.44

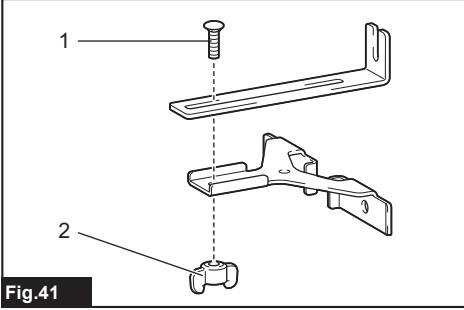


Fig.41

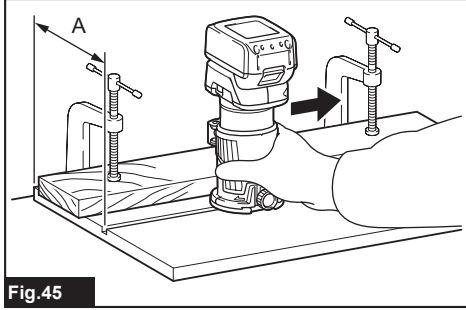


Fig.45

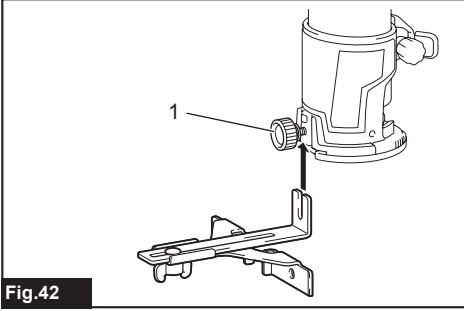


Fig.42

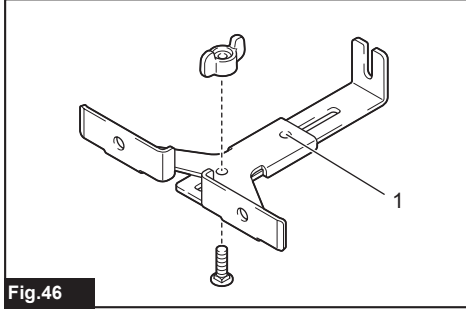


Fig.46

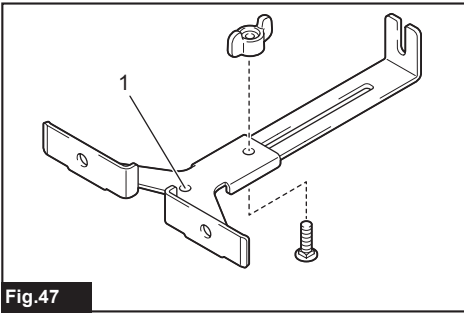


Fig.47

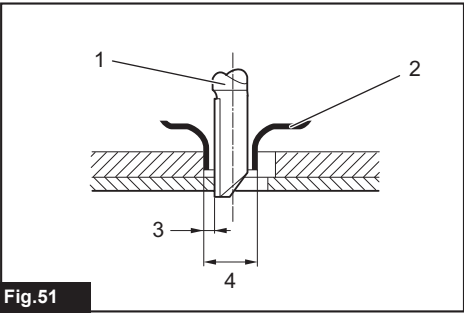


Fig.51

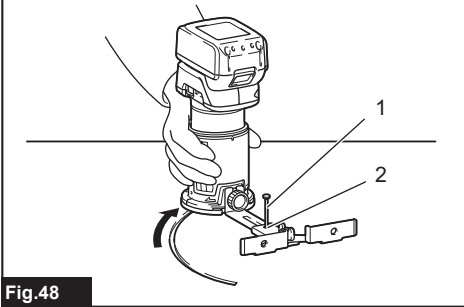


Fig.48

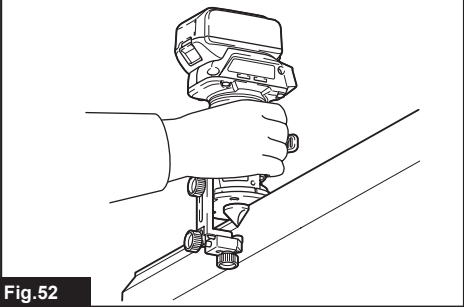


Fig.52

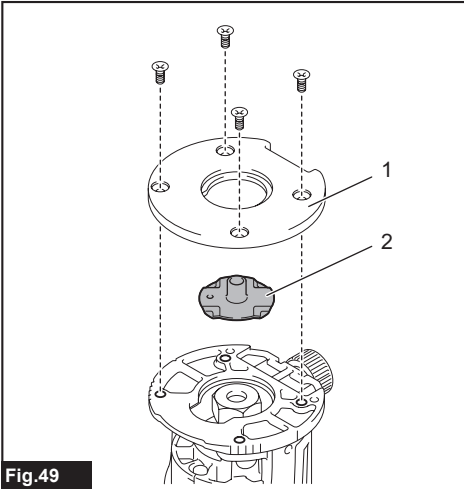


Fig.49

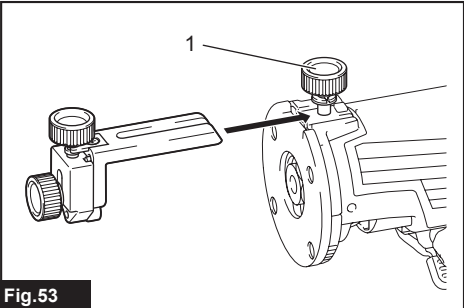


Fig.53

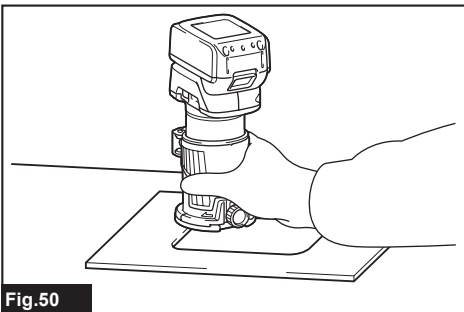


Fig.50

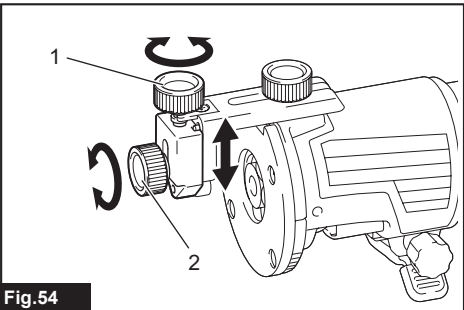


Fig.54

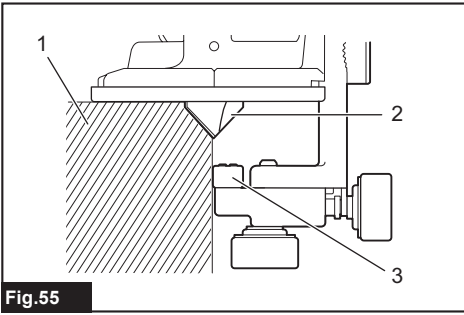


Fig.55

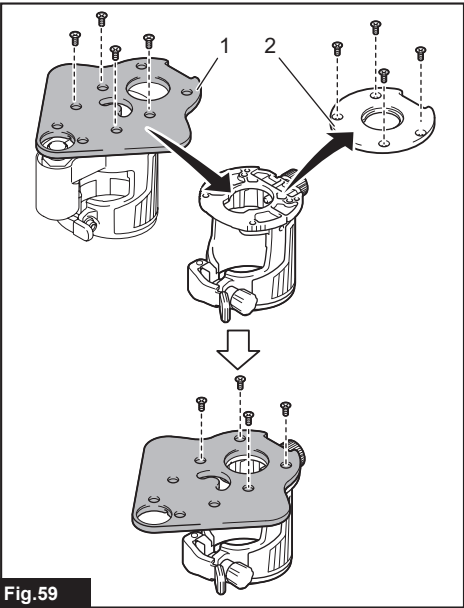


Fig.59

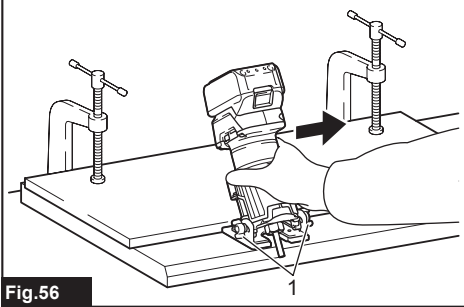


Fig.56

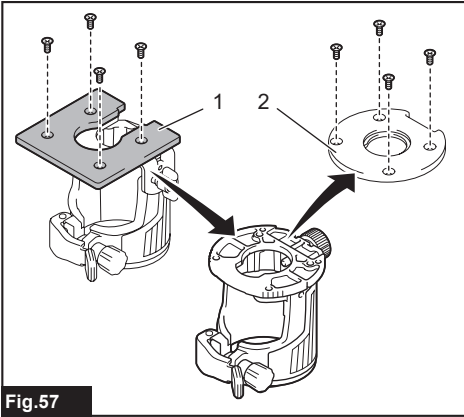


Fig.57

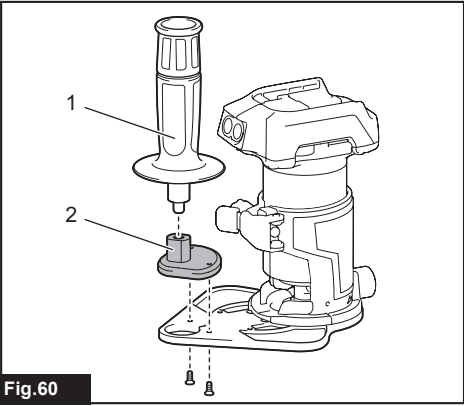


Fig.60

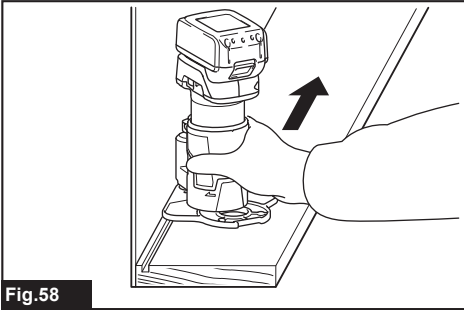


Fig.58

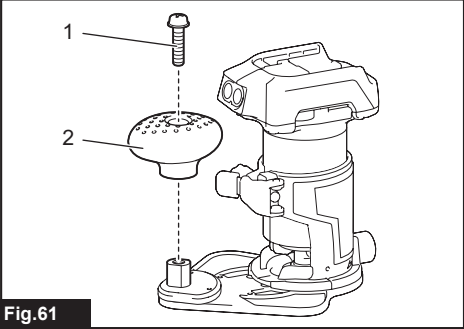


Fig.61

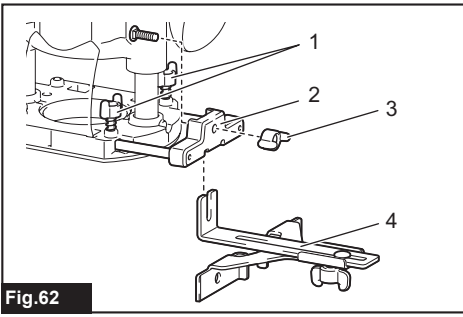


Fig.62

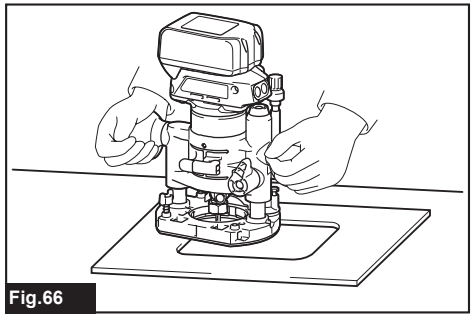


Fig.66

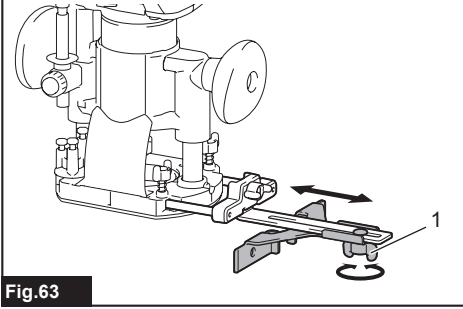


Fig.63

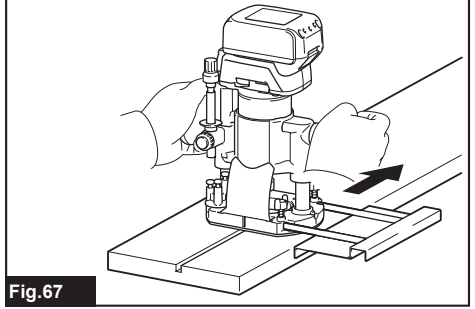


Fig.67

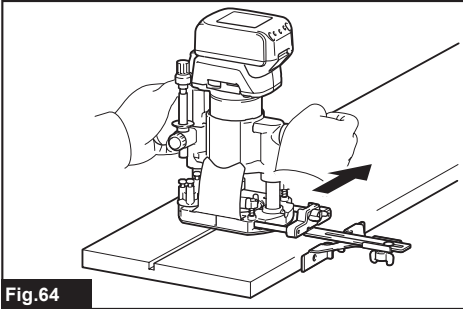


Fig.64

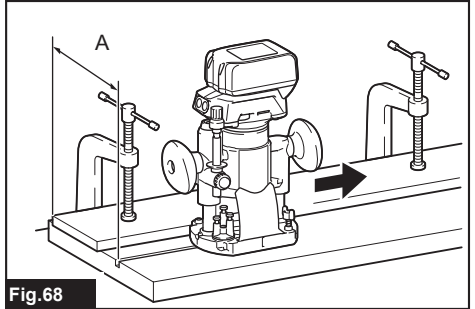


Fig.68

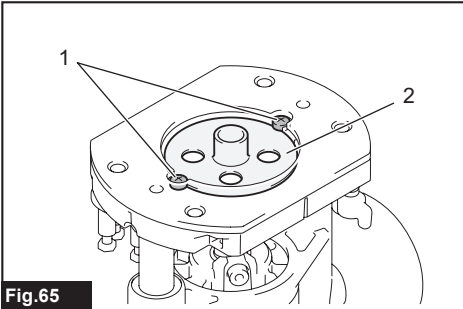
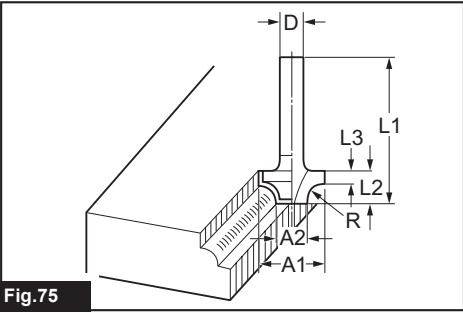
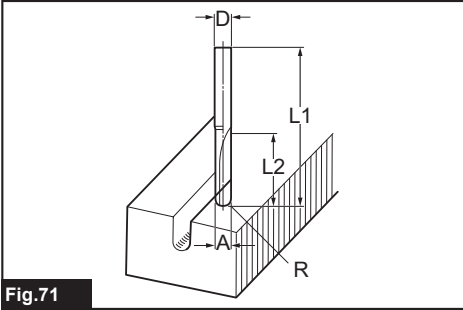
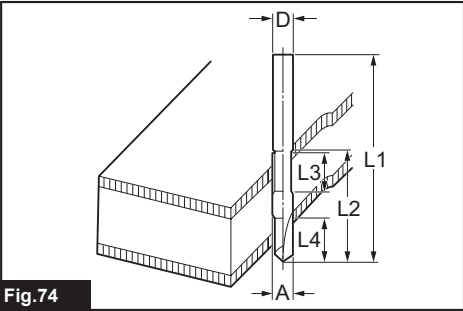
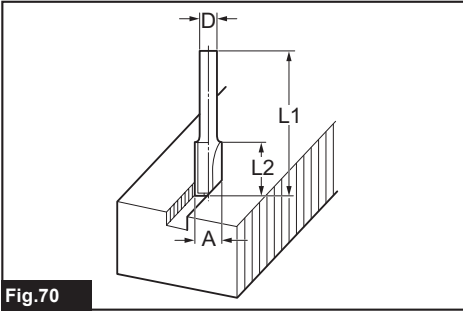
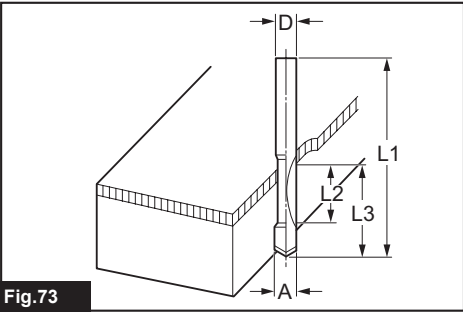
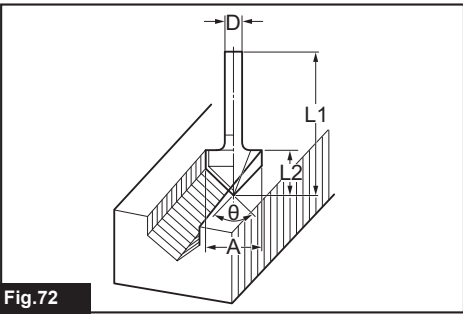
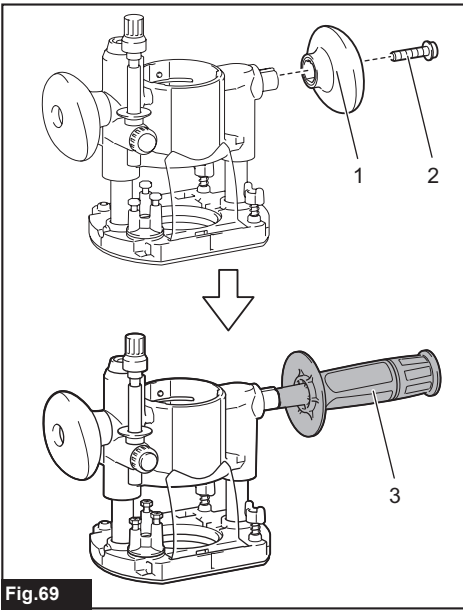
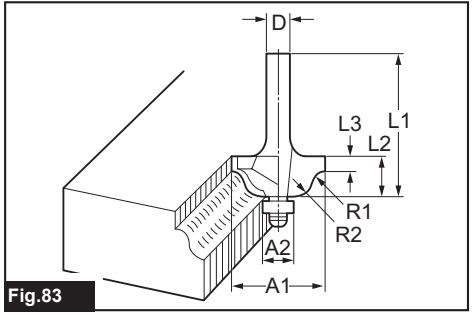
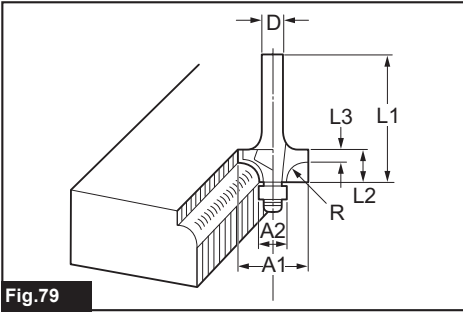
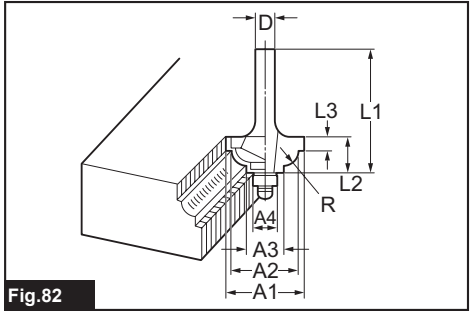
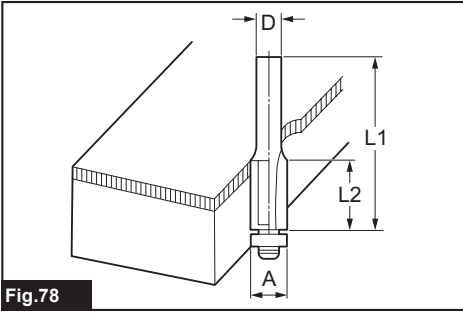
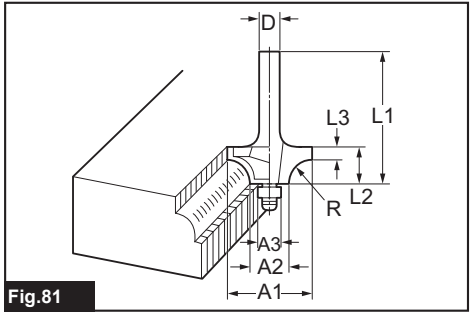
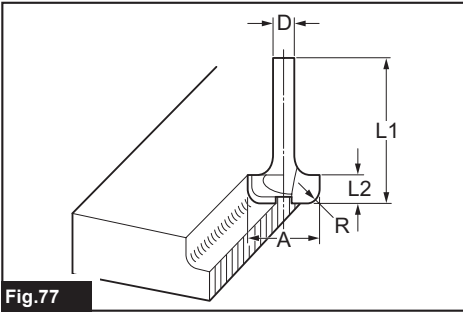
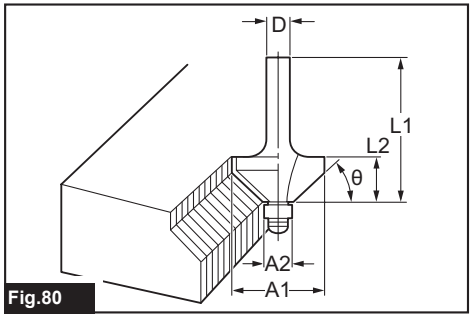
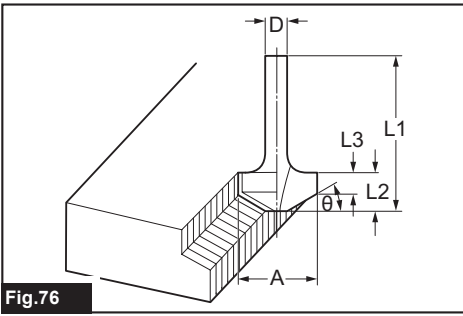


Fig.65





SPECIFICATIONS

Model:	DRT50
Collet chuck capacity	6 mm, 8 mm, 1/4", or 3/8"
No load speed	10,000 - 30,000 min ⁻¹
Overall length	226 mm
Rated voltage	D.C. 18 V
Standard battery cartridge	BL1815N / BL1820 / BL1820B / BL1830 / BL1830B / BL1840 / BL1840B / BL1850 / BL1850B / BL1860B
Net weight	1.8 - 2.1 kg

- Due to our continuing program of research and development, the specifications herein are subject to change without notice.
- Specifications and battery cartridge may differ from country to country.
- The weight may differ depending on the attachment(s), including the battery cartridge. The lightest and heaviest combination, according to EPTA-Procedure 01/2014, are shown in the table.

Intended use

The tool is intended for flush trimming and profiling of wood, plastic and similar materials.

Noise

The typical A-weighted noise level determined according to EN60745:

Sound pressure level (L_{pA}) : 78 dB(A)

Uncertainty (K) : 3 dB(A)

⚠ WARNING: Wear ear protection.

Vibration

The vibration total value (tri-axial vector sum) determined according to EN60745:

Work mode: rotation without load

Vibration emission (a_v) : 2.5 m/s² or less

Uncertainty (K) : 1.5 m/s²

Work mode: cutting grooves in MDF

Vibration emission (a_v) : 4.5 m/s²

Uncertainty (K) : 1.5 m/s²

NOTE: The declared vibration emission value has been measured in accordance with the standard test method and may be used for comparing one tool with another.

NOTE: The declared vibration emission value may also be used in a preliminary assessment of exposure.

⚠ WARNING: The vibration emission during actual use of the power tool can differ from the declared emission value depending on the ways in which the tool is used.

⚠ WARNING: Be sure to identify safety measures to protect the operator that are based on an estimation of exposure in the actual conditions of use (taking account of all parts of the operating cycle such as the times when the tool is switched off and when it is running idle in addition to the trigger time).

EC Declaration of Conformity

For European countries only

The EC declaration of conformity is included as Annex A to this instruction manual.

SAFETY WARNINGS

General power tool safety warnings

⚠ WARNING: Read all safety warnings, instructions, illustrations and specifications provided with this power tool. Failure to follow all instructions listed below may result in electric shock, fire and/or serious injury.

Save all warnings and instructions for future reference.

The term "power tool" in the warnings refers to your mains-operated (corded) power tool or battery-operated (cordless) power tool.

Cordless trimmer safety warnings

1. **Hold power tool by insulated gripping surfaces, because the cutter may contact hidden wiring.** Cutting a "live" wire may make exposed metal parts of the power tool "live" and shock the operator.
2. **Use clamps or another practical way to secure and support the workpiece to a stable platform.** Holding the work by your hand or against the body leaves it unstable and may lead to loss of control.
3. **Wear hearing protection during extended period of operation.**
4. **Handle the trimmer bits very carefully.**

5. Check the trimmer bit carefully for cracks or damage before operation. Replace cracked or damaged bit immediately.
6. Avoid cutting nails. Inspect for and remove all nails from the workpiece before operation.
7. Hold the tool firmly.
8. Keep hands away from rotating parts.
9. Make sure the trimmer bit is not contacting the workpiece before the switch is turned on.
10. Before using the tool on an actual workpiece, let it run for a while. Watch for vibration or wobbling that could indicate improperly installed bit.
11. Be careful of the trimmer bit rotating direction and the feed direction.
12. Do not leave the tool running. Operate the tool only when hand-held.
13. Always switch off and wait for the trimmer bit to come to a complete stop before removing the tool from workpiece.
14. Do not touch the trimmer bit immediately after operation; it may be extremely hot and could burn your skin.
15. Do not smear the tool base carelessly with thinner, gasoline, oil or the like. They may cause cracks in the tool base.
16. Use trimmer bits of the correct shank diameter suitable for the speed of the tool.
17. Some material contains chemicals which may be toxic. Take caution to prevent dust inhalation and skin contact. Follow material supplier safety data.
18. Always use the correct dust mask/respirator for the material and application you are working with.

SAVE THESE INSTRUCTIONS.

⚠ WARNING: DO NOT let comfort or familiarity with product (gained from repeated use) replace strict adherence to safety rules for the subject product. MISUSE or failure to follow the safety rules stated in this instruction manual may cause serious personal injury.

Important safety instructions for battery cartridge

1. Before using battery cartridge, read all instructions and cautionary markings on (1) battery charger, (2) battery, and (3) product using battery.
2. Do not disassemble battery cartridge.
3. If operating time has become excessively shorter, stop operating immediately. It may result in a risk of overheating, possible burns and even an explosion.
4. If electrolyte gets into your eyes, rinse them out with clear water and seek medical attention right away. It may result in loss of your eyesight.
5. Do not short the battery cartridge:
 - (1) Do not touch the terminals with any conductive material.

- (2) Avoid storing battery cartridge in a container with other metal objects such as nails, coins, etc.
- (3) Do not expose battery cartridge to water or rain.

A battery short can cause a large current flow, overheating, possible burns and even a breakdown.

6. Do not store the tool and battery cartridge in locations where the temperature may reach or exceed 50 °C (122 °F).
7. Do not incinerate the battery cartridge even if it is severely damaged or is completely worn out. The battery cartridge can explode in a fire.
8. Be careful not to drop or strike battery.
9. Do not use a damaged battery.
10. The contained lithium-ion batteries are subject to the Dangerous Goods Legislation requirements.

For commercial transports e.g. by third parties, forwarding agents, special requirement on packaging and labeling must be observed. For preparation of the item being shipped, consulting an expert for hazardous material is required. Please also observe possibly more detailed national regulations.

Tape or mask off open contacts and pack up the battery in such a manner that it cannot move around in the packaging.
11. Follow your local regulations relating to disposal of battery.

SAVE THESE INSTRUCTIONS.

⚠ CAUTION: Only use genuine Makita batteries. Use of non-genuine Makita batteries, or batteries that have been altered, may result in the battery bursting causing fires, personal injury and damage. It will also void the Makita warranty for the Makita tool and charger.

Tips for maintaining maximum battery life

1. Charge the battery cartridge before completely discharged. Always stop tool operation and charge the battery cartridge when you notice less tool power.
2. Never recharge a fully charged battery cartridge. Overcharging shortens the battery service life.
3. Charge the battery cartridge with room temperature at 10 °C - 40 °C (50 °F - 104 °F). Let a hot battery cartridge cool down before charging it.
4. Charge the battery cartridge if you do not use it for a long period (more than six months).

FUNCTIONAL DESCRIPTION

CAUTION: Always be sure that the tool is switched off and the battery cartridge is removed before adjusting or checking function on the tool.

Installing or removing battery cartridge

CAUTION: Always switch off the tool before installing or removing of the battery cartridge.

CAUTION: Hold the tool and the battery cartridge firmly when installing or removing battery cartridge. Failure to hold the tool and the battery cartridge firmly may cause them to slip off your hands and result in damage to the tool and battery cartridge and a personal injury.

► **Fig.1:** 1. Red indicator 2. Button 3. Battery cartridge

To remove the battery cartridge, slide it from the tool while sliding the button on the front of the cartridge.

To install the battery cartridge, align the tongue on the battery cartridge with the groove in the housing and slip it into place. Insert it all the way until it locks in place with a little click. If you can see the red indicator on the upper side of the button, it is not locked completely.

CAUTION: Always install the battery cartridge fully until the red indicator cannot be seen. If not, it may accidentally fall out of the tool, causing injury to you or someone around you.

CAUTION: Do not install the battery cartridge forcibly. If the cartridge does not slide in easily, it is not being inserted correctly.

Indicating the remaining battery capacity

Only for battery cartridges with the indicator

► **Fig.2:** 1. Indicator lamps 2. Check button

Press the check button on the battery cartridge to indicate the remaining battery capacity. The indicator lamps light up for few seconds.

Indicator lamps			Remaining capacity
Lighted	Off	Blinking	
			75% to 100%
			50% to 75%
			25% to 50%
			0% to 25%
			Charge the battery.
			The battery may have malfunctioned.

NOTE: Depending on the conditions of use and the ambient temperature, the indication may differ slightly from the actual capacity.

Tool / battery protection system

The tool is equipped with a tool/battery protection system. This system automatically cuts off power to the motor to extend tool and battery life. The tool will automatically stop during operation if the tool or battery is placed under one of the following conditions:

Overload protection

When the battery is operated in a manner that causes it to draw an abnormally high current, the tool automatically stops without any indication. In this situation, turn the tool off and stop the application that caused the tool to become overloaded. Then turn the tool on to restart.

Overheat protection

When the tool or battery is overheated, the tool stops automatically and the lamp blinks. In this case, let the tool and battery cool before turning the tool on again.

Overdischarge protection

When the battery capacity is not enough, the tool stops automatically. In this case, remove the battery from the tool and charge the battery.

Switch action

To turn on the tool, press the lock/unlock button. The tool turns into the standby mode. To start the tool, press the start/stop button in the standby mode. To stop the tool, press the start/stop button again. The tool turns into the standby mode. To turn off the tool, press the lock/unlock button in the standby mode.

► **Fig.3:** 1. Lock/unlock button 2. Start/stop button

NOTE: If the tool is left for 10 seconds without any operation in the standby mode, the tool automatically turns off and the lamp goes off.

NOTE: You can also stop and turn off the tool by pressing the lock/unlock button while the tool is operating.

Lighting up the front lamp

CAUTION: Do not look in the light or see the source of light directly.

To turn on the lamp, press the lock/unlock button. To turn off the lamp, press the lock/unlock button again.

NOTICE: When the tool is overheated, the lamp flickers. Cool down the tool fully before operating the tool again.

NOTE: Use a dry cloth to wipe the dirt off the lens of the lamp. Be careful not to scratch the lens of lamp, or it may lower the illumination.

Speed adjusting dial

The rotation speed of the tool can be changed by turning the speed adjusting dial. The table below shows the number on the dial and the corresponding rotation speed.

► **Fig.4:** 1. Speed adjusting dial

Number	Speed
1	10,000 min ⁻¹
2	15,000 min ⁻¹
3	20,000 min ⁻¹
4	25,000 min ⁻¹
5	30,000 min ⁻¹

NOTICE: If the tool is operated continuously at low speed for a long time, the motor will get overloaded, resulting in tool malfunction.

NOTICE: When changing the speed dial from "5" to "1", turn the dial counterclockwise. Do not turn the dial clockwise forcibly.

Electronic function

The tool is equipped with the electronic functions for easy operation.

- Constant speed control
The speed control function provides the constant rotation speed regardless of load conditions.
- Soft start
The soft-start function minimizes start-up shock, and makes the tool start smoothly.

Adjusting cutting depth

To adjust the cutting depth, open the lock lever, then move the tool base up or down by turning the adjusting screw. After the adjustment, close the lock lever firmly.

► **Fig.5:** 1. Lock lever 2. Adjusting screw

NOTICE: If the tool is not secured after closing the lock lever, tighten the hex nut, and then close the lock lever.

► **Fig.6:** 1. Hex nut

Adjusting cutting depth with the plunge base

Optional accessory

1. Place the tool on the flat surface.
2. Select the stopper screw by rotating the stopper base.

► **Fig.7:** 1. Stopper screw 2. Stopper base

3. Loosen the stopper pole fixing nut, then pull up the stopper pole while pressing the feed button.

► **Fig.8:** 1. Stopper pole 2. Fixing nut 3. Feed button

4. Push down the tool until the tip of the trimmer bit touches the flat surface, and then turn the fixing lever to secure the tool.

► **Fig.9:** 1. Fixing lever 2. Trimmer bit

5. Press down the stopper pole while pressing the feed button until it contacts the stopper screw.

► **Fig.10:** 1. Stopper pole 2. Stopper screw 3. Feed button

6. Slide the depth pointer so that the pointer indicates "0" on the scale.

► **Fig.11:** 1. Depth pointer

7. Adjust the cutting depth by pulling up the stopper pole while pressing the feed button.

► **Fig.12:** 1. Stopper pole 2. Feed button

8. To perform fine adjustment of the cutting depth, turn the dial on the stopper pole so that it indicates "0".

► **Fig.13:** 1. Dial

9. Turn the head of the stopper pole to obtain the desired depth. To increase the depth, turn the head counterclockwise. To decrease the depth, turn the head clockwise.

► **Fig.14:** 1. Head of the stopper pole

10. Tighten the stopper pole fixing nut.

► **Fig.15:** 1. Fixing nut

11. Release the fixing lever.

► **Fig.16:** 1. Fixing lever

ASSEMBLY

CAUTION: Always be sure that the tool is switched off and the battery cartridge is removed before carrying out any work on the tool.

Installing or removing trimmer bit

NOTICE: Do not tighten the collet nut without inserting the bit. The collet cone may break.

Insert the trimmer bit all the way into the collet cone. Press the shaft lock and tighten the collet nut with the wrench or tighten the collet nut securely with the two wrenches. To remove the bit, follow the installation procedure in reverse.

► **Fig.17:** 1. Shaft lock 2. Loosen 3. Tighten
4. Wrench 5. Collet nut

► **Fig.18:** 1. Wrench 2. Loosen 3. Tighten 4. Collet nut

NOTE: The shaft lock may not return to the original position when you tighten the collet nut at the installation of the trimmer bit. The shaft lock returns to the original position when you start the tool.

► **Fig.19:** 1. Shaft lock

Installing or removing the trimmer base

1. Open the lock lever of the trimmer base, then insert the tool into the trimmer base aligning the groove on the tool with the protrusion on the trimmer base.

► **Fig.20:** 1. Lock lever

2. Close the lock lever.

3. Attach the dust nozzle to the trimmer base, and then tighten the thumb screw.

► Fig.21: 1. Dust nozzle 2. Thumb screw

► Fig.22

To remove the base, follow the installation procedure in reverse.

CAUTION: When using the tool with the trimmer base, be sure to install the dust nozzle on the trimmer base.

Installing or removing the tilt base

Optional accessory

1. Open the lock lever of the tilt base, then insert the tool into the tilt base aligning the groove on the tool with the protrusion on the tilt base.

► Fig.23: 1. Lock lever

2. Close the lock lever.

To remove the base, follow the installation procedure in reverse.

Installing or removing the offset base

Optional accessory

1. Press the shaft lock, then loosen the collet nut.

► Fig.24: 1. Shaft lock 2. Collet nut 3. Wrench

2. Remove the collet nut and the collet cone.

► Fig.25: 1. Collet nut 2. Collet cone

3. Install the pulley on the tool by pressing the shaft lock and tightening the pulley with the wrench.

► Fig.26: 1. Wrench 2. Pulley 3. Shaft lock

4. Loosen the screws on the base plate, and then remove the base plate.

► Fig.27: 1. Base plate

5. Open the lock lever of the offset base, then insert the tool into the offset base.

► Fig.28: 1. Lock lever

6. Mount the belt to the pulley by rotating the belt manually.

► Fig.29: 1. Pulley 2. Belt

7. Close the lock lever.

► Fig.30: 1. Lock lever

8. Attach the base plate by tightening the screws.

► Fig.31: 1. Base plate

9. Insert the collet cone and the trimmer bit into the offset base, and then tighten the collet nut.

► Fig.32: 1. Trimmer bit 2. Collet nut 3. Collet cone

10. Insert the hex wrench into the hole of the offset base, and then tighten the collet nut with the wrench.

► Fig.33: 1. Collet nut 2. Wrench 3. Hex wrench

To remove the base, follow the installation procedure in reverse.

NOTE: You can also mount the belt to the pulley without removing the base plate as shown in the figure.

► Fig.34: 1. Pulley 2. Belt

Installing or removing the plunge base

Optional accessory

1. Open the lock lever of the plunge base, then insert the tool into the plunge base all the way aligning the groove on the tool with the protrusion on the plunge base.

► Fig.35: 1. Lock lever

2. Close the lock lever.

To remove the base, follow the installation procedure in reverse.

Installing or removing the parallel ruler on the plunge base

Optional accessory

Insert the guide bars into the holes in the plunge base, and then tighten the wing bolts. To remove the ruler, follow the installation procedure in reverse.

► Fig.36: 1. Wing bolt 2. Guide bar

Installing or removing the dust nozzle on the plunge base

Insert the dust nozzle into the plunge base so that the protrusion on the dust nozzle fits in the notch in the plunge base, and then tighten the thumb screw on the dust nozzle. To remove the nozzle, follow the installation procedure in reverse.

► Fig.37: 1. Protrusion 2. Dust nozzle 3. Thumb screw

► Fig.38

OPERATION

Using the tool with the trimmer base

Set the tool base on the workpiece without the trimmer bit making any contact. Turn the tool on and wait until the bit attains full speed. Move the tool forward over the workpiece surface. Keep the tool base flush while moving the tool. When cutting the edge, be sure to keep the workpiece surface on the left side of the trimmer bit in the feed direction.

► Fig.39

NOTE: Before cutting on the actual workpiece, it is recommended to make a sample cut. The proper feed speed depends on the trimmer bit size, the kind of workpiece, and depth of cut. Moving the tool forward too fast may cause a poor quality of cut, or damage to the bit or motor. Moving the tool forward too slowly may burn and mar the cutting surface.

When using the trimmer shoe, the straight guide, or the trimmer guide, be sure to keep it on the right side in the feed direction. This will help to keep it flush with the side of the workpiece.

► Fig.40: 1. Trimmer bit 2. Workpiece 3. Straight guide

NOTICE: Since excessive cutting may cause overload of the motor or difficulty in controlling the tool, the depth of cut should not be more than 3 mm at a pass when cutting grooves. When you wish to cut grooves more than 3 mm deep, make several passes with progressively deeper bit settings.

Using the straight guide

Optional accessory

1. Assemble the straight guide with the bolt and the wing nut.
▶ **Fig.41:** 1. Bolt 2. Wing nut
2. Attach the straight guide to the trimmer base with the clamp screw.
▶ **Fig.42:** 1. Clamp screw
3. Loosen the wing nut on the straight guide and adjust the distance between the bit and the straight guide. At the desired distance, tighten the wing nut.
▶ **Fig.43:** 1. Wing nut
4. Move the tool with the straight guide flush with the side of the workpiece.
▶ **Fig.44**

If the distance (A) between the side of the workpiece and the cutting position is too wide for the straight guide, or if the side of the workpiece is not straight, the straight guide cannot be used.

In this case, firmly clamp a straight board to the workpiece and use it as a guide against the trimmer base. Feed the tool in the direction of the arrow.

▶ **Fig.45**

Using the straight guide for circular work

For circular work, assemble the straight guide as shown in the figures. The minimum and maximum radius of circles to be cut (distance between the center of circle and the center of bit) are as follows:

- Minimum: 70 mm
- Maximum: 221 mm

For cutting circles between 70 mm and 121 mm in radius.

▶ **Fig.46:** 1. Center hole

For cutting circles between 121 mm and 221 mm in radius.

▶ **Fig.47:** 1. Center hole

NOTE: Circles between 172 mm and 186 mm in radius cannot be cut using this guide.

Align the center hole in the straight guide with the center of the circle to be cut. Drive a nail less than 6 mm in diameter into the center hole to secure the straight guide. Pivot the tool around the nail in the clockwise direction.

▶ **Fig.48:** 1. Nail 2. Center hole

Using the templet guide

Optional accessory

The templet guide allows for repetitive cut with templet patterns by using a templet.

1. Loosen the screws on the base plate, and then remove the base plate from the trimmer base.
2. Place the templet guide on the base, and then attach the base plate by tightening the screws.
▶ **Fig.49:** 1. Base plate 2. Templet guide
3. Place the tool on the templet and move the tool with the templet guide sliding along the side of the templet.
▶ **Fig.50**

NOTE: The actual cut size on the workpiece is slightly different from the templet. The difference is the distance (X) between the trimmer bit and the outside of the templet guide. The distance (X) can be calculated by using the following equation:

Distance (X) = (outside diameter of templet guide - trimmer bit diameter) / 2

▶ **Fig.51:** 1. Trimmer bit 2. Templet guide 3. Distance (X) 4. Outside diameter of templet guide

Using the trimmer guide

Optional accessory

The trimmer guide allows for trimming the curved side like veneers for furniture by moving the guide roller along the side of the workpiece.

▶ **Fig.52**

1. Loosen the clamp screw, then install the trimmer guide on the trimmer base, and then tighten the clamp screw.
▶ **Fig.53:** 1. Clamp screw
2. Loosen the clamp screw and adjust the distance between the trimmer bit and the trimmer guide by turning the adjusting screw (1 mm per turn). At the desired distance, tighten the clamp screw to secure the trimmer guide.
▶ **Fig.54:** 1. Adjusting screw 2. Clamp screw
3. Move the tool with the guide roller riding the side of the workpiece.
▶ **Fig.55:** 1. Workpiece 2. Bit 3. Guide roller

Using the tool with the tilt base

The tilt base is convenient for chamfering. Loosen the wing screws, then tilt the tool at the desired angle, and then tighten the wing screws.

Firmly clamp a straight board to the workpiece and use it as a guide against the tilt base. Feed the tool in the direction of the arrow.

▶ **Fig.56:** 1. Wing screw

Using the tilt base plate with the trimmer base

To use the trimmer base with a square base plate, remove the base plate from the tilt base, and then attach it to the trimmer base.

▶ **Fig.57:** 1. Tilt base plate 2. Trimmer base plate

Using the tool with the offset base

The offset base is convenient for work in a tight area such as a corner.

► Fig.58

Using the trimmer base with the offset base plate and grip

The offset base plate can also be used with a trimmer base and a grip attachment (optional accessory) for more stability.

1. Loosen the screws on the base plate, then remove the base plate from the offset base.

► Fig.59: 1. Offset base plate 2. Trimmer base plate

2. Attach the offset base plate to the trimmer base by tightening the screws.

3. Attach the grip attachment and the bar type grip to the offset base plate by tightening the screws.

► Fig.60: 1. Bar type grip 2. Grip attachment

The knob type grip removed from the plunge base can be installed on the offset base instead of the bar type grip.

► Fig.61: 1. Screw 2. Knob type grip

Using the tool with the plunge base

Always hold the grips firmly with both hands during operation. Operate the tool in the same way as the trimmer base.

Using the straight guide

Optional accessory

1. Install the straight guide to the guide holder by tightening the wing nut. Insert the guide holder into the holes in the plunge base, and then tighten the wing bolts.

► Fig.62: 1. Wing bolt 2. Guide holder 3. Wing nut 4. Straight guide

2. Loosen the wing nut on the straight guide and adjust the distance between the bit and the straight guide. At the desired distance, tighten the wing nut.

► Fig.63: 1. Wing nut

3. Operate the tool in the same way as the straight guide for the trimmer base.

► Fig.64

Using the templet guide

Optional accessory

1. Loosen the screws on the base and remove them. Place the templet guide on the base, and then tighten the screws.

► Fig.65: 1. Screw 2. Templet guide

2. Operate the tool in the same way as the templet guide for the trimmer base.

► Fig.66

Using the parallel ruler

The parallel ruler is effectively used for straight cuts when chamfering or grooving. Adjust the distance between the bit and the parallel ruler. At the desired distance, tighten the wing bolts to secure the parallel ruler. When cutting, move the tool with the parallel ruler flush with the side of the workpiece.

► Fig.67

If the distance (A) between the side of the workpiece and the cutting position is too wide for the parallel ruler, or if the side of the workpiece is not straight, the parallel ruler cannot be used.

In this case, firmly clamp a straight board to the workpiece and use it as a guide against the plunge base. Feed the tool in the direction of the arrow.

► Fig.68

Changing knob type grip to bar type grip

To install the bar type grip on the plunge base, loosen the screw of the knob type grip, then remove the knob type grip, and then install the bar type grip by tightening it.

► Fig.69: 1. Knob type grip 2. Screw 3. Bar type grip

MAINTENANCE

CAUTION: Always be sure that the tool is switched off and the battery cartridge is removed before attempting to perform inspection or maintenance.

NOTICE: Never use gasoline, benzine, thinner, alcohol or the like. Discoloration, deformation or cracks may result.

To maintain product SAFETY and RELIABILITY, repairs, any other maintenance or adjustment should be performed by Makita Authorized or Factory Service Centers, always using Makita replacement parts.

OPTIONAL ACCESSORIES

CAUTION: These accessories or attachments are recommended for use with your Makita tool specified in this manual. The use of any other accessories or attachments might present a risk of injury to persons. Only use accessory or attachment for its stated purpose.

If you need any assistance for more details regarding these accessories, ask your local Makita Service Center.

- Straight and groove forming bits
- Edge forming bits
- Laminate trimming bits
- Straight guide assembly
- Trimmer guide assembly
- Trimmer base assembly
- Tilt base assembly
- Plunge base assembly
- Offset base assembly
- Grip attachment
- Templet guide
- Collet cone 6 mm
- Collet cone 6.35 mm (1/4")
- Collet cone 8 mm
- Collet cone 9.53 mm (3/8")
- Wrench 13
- Wrench 22

NOTE: Some items in the list may be included in the tool package as standard accessories. They may differ from country to country.

Trimmer bits

Straight bit

► Fig.70

	D	A	L1	L2
20	6	20	50	15
20E	1/4"			
8	8	8	60	25
8	6			
8E	1/4"		6	50
6	6			
6E	1/4"			

Unit: mm

"U" Grooving bit

► Fig.71

	D	A	L1	L2	R
6	6	6	50	18	3
6E	1/4"				

Unit: mm

"V" Grooving bit

► Fig.72

D	A	L1	L2	θ
1/4"	20	50	15	90°

Unit: mm

Drill point flush trimming bit

► Fig.73

	D	A	L1	L2	L3
8	8	8	60	20	35
6	6			18	28
6E	1/4"				

Unit: mm

Drill point double flush trimming bit

► Fig.74

	D	A	L1	L2	L3	L4
8	8	8	80	95	20	25
6	6					
6E	1/4"					

Unit: mm

Corner rounding bit

► Fig.75

	D	A1	A2	L1	L2	L3	R
8R	6	25	9	48	13	5	8
8RE	1/4"						
4R	6	20	8	45	10	4	4
4RE	1/4"						

Unit: mm

Chamfering bit

► Fig.76

D	A	L1	L2	L3	θ
6	23	46	11	6	30°
6	20	50	13	5	45°
6	20	49	14	2	60°

Unit: mm

Cove beading bit

► Fig.77

D	A	L1	L2	R
6	20	43	8	4
6	25	48	13	8

Unit: mm

Ball bearing flush trimming bit

► Fig.78

D	A	L1	L2
6	10	50	20
1/4"			

Unit: mm

Ball bearing corner rounding bit

► Fig.79

D	A1	A2	L1	L2	L3	R
6	15	8	37	7	3.5	3
6	21		40	10		
1/4"						6

Unit: mm

Ball bearing chamfering bit

► Fig.80

D	A1	A2	L1	L2	θ
6	26	8	42	12	45°
1/4"					
6	20		41	11	60°

Unit: mm

Ball bearing beading bit**► Fig.81**

D	A1	A2	A3	L1	L2	L3	R
6	20	12	8	40	10	5.5	4
6	26			42	12	4.5	7

Unit: mm

Ball bearing cove beading bit**► Fig.82**

D	A1	A2	A3	A4	L1	L2	L3	R
6	20	18	12	8	40	10	5.5	3
6	26	22			42	12	5	5

Unit: mm

Ball bearing roman ogee bit**► Fig.83**

D	A1	A2	L1	L2	L3	R1	R2
6	20	8	40	10	4.5	2.5	4.5
6	26		42	12		3	6

Unit: mm

DANE TECHNICZNE

Model:	DRT50
Średnica uchwytu z tuleją zaciskową	6 mm, 8 mm, 1/4 cala lub 3/8 cala
Prędkość bez obciążenia	10 000–30 000 min ⁻¹
Długość całkowita	226 mm
Napięcie znamionowe	Prąd stały 18 V
Standardowy akumulator	BL1815N / BL1820 / BL1820B / BL1830 / BL1830B / BL1840 / BL1840B / BL1850 / BL1850B / BL1860B
Masa netto	1,8–2,1 kg

- W związku ze stale prowadzonym przez naszą firmę programem badawczo-rozwojowym niniejsze dane mogą ulec zmianom bez wcześniejszego powiadomienia.
- W innych krajach urządzenie może mieć odmienne parametry techniczne i może być wyposażone w inny akumulator.
- Masa może być różna w zależności od osprzętu, w tym akumulatora. W tabeli przedstawiona jest najlżejsza i najcięższa konfiguracja, zgodnie z procedurą EPTA 01/2014.

Przeznaczenie

Narzędzie jest przeznaczone do wyrównywania, przycinania i profilowania krawędzi w drewnie, tworzywach sztucznych i podobnych materiałach.

Hałas

Typowy równoważny poziom dźwięku A określony w oparciu o normę EN60745:
 Poziom ciśnienia akustycznego (L_{pA}): 78 dB(A)
 Niepewność (K): 3 dB(A)

⚠ OSTRZEŻENIE: Nosić ochronniki słuchu.

Drgania

Całkowita wartość poziomu drgań (suma wektorów w 3 osiach) określona zgodnie z normą EN60745:
 Tryb pracy: prędkość obrotowa bez obciążenia
 Emisja drgań (a_v): 2,5 m/s² lub mniej
 Niepewność (K): 1,5 m/s²
 Tryb pracy: frezowanie rowków w płytach MDF
 Emisja drgań (a_v): 4,5 m/s²
 Niepewność (K): 1,5 m/s²

WSKAZÓWKA: Deklarowana wartość wytwarzanych drgań została zmierzona zgodnie ze standardową metodą testową i można ją wykorzystać do porównywania narzędzi.

WSKAZÓWKA: Deklarowaną wartość wytwarzanych drgań można także wykorzystać we wstępnej ocenie narażenia.

⚠ OSTRZEŻENIE: Drgania wytwarzane podczas rzeczywistego użytkowania elektronarzędzia mogą się różnić od wartości deklarowanej, w zależności od sposobu jego użytkowania.

⚠ OSTRZEŻENIE: W oparciu o szacowane narażenie w rzeczywistych warunkach użytkowania należy określić środki bezpieczeństwa w celu ochrony operatora (uwzględniając wszystkie elementy cyklu działania, tj. czas, kiedy narzędzie jest wyłączone i kiedy pracuje na biegu jałowym, a także czas, kiedy jest włączone).

Deklaracja zgodności WE

Dotyczy tylko krajów europejskich

Deklaracja zgodności WE jest dołączona jako załącznik A do niniejszej instrukcji obsługi.

OSTRZEŻENIA DOTYCZĄCE BEZPIECZEŃSTWA

Ogólne zasady bezpiecznej eksploatacji elektronarzędzi

⚠ OSTRZEŻENIE: Należy zapoznać się z ostrzeżeniami dotyczącymi bezpieczeństwa, instrukcjami, ilustracjami i danymi technicznymi dołączonymi do tego elektronarzędzia. Niezastosowanie się do podanych poniżej instrukcji może prowadzić do porażenia prądem, pożaru i/lub poważnych obrażeń ciała.

Wszystkie ostrzeżenia i instrukcje należy zachować do wykorzystania w przyszłości.

Pojęcie „elektronarzędzie”, występujące w wymienionych tu ostrzeżeniach, odnosi się do elektronarzędzia zasilanego z sieci elektrycznej (z przewodem zasilającym) lub do elektronarzędzia akumulatorowego (bez przewodu zasilającego).

Ostrzeżenia dotyczące bezpiecznej eksploatacji frezarki-wycinarki akumulatorowej

1. **Ponieważ frez może zetknąć się z ukrytymi przewodami elektrycznymi, elektronarzędzie należy trzymać za izolowane uchwyty.** Przecięcie przewodu elektrycznego pod napięciem może spowodować, że odsłonięte elementy metalowe elektronarzędzia również znajdują się pod napięciem i spowodują porażenie operatora prądem elektrycznym.
2. **Należy używać zacisków lub innych praktycznych sposobów mocowania obrabianego elementu do stabilnej podstawy i jego podparcia.** Przytrzymywanie obrabianego przedmiotu ręką lub opieranie go o ciało nie gwarantuje stabilności i może prowadzić do utraty kontroli nad narzędziem.
3. **Podczas dłuższej pracy należy stosować ochronniki słuchu.**
4. **Z frezami należy obchodzić się ostrożnie.**
5. **Przed przystąpieniem do pracy sprawdzić dokładnie frez pod kątem ewentualnych pęknięć lub uszkodzeń. Popękany lub uszkodzony frez należy niezwłocznie wymienić.**
6. **Należy unikać cięcia gwoździ. Przed przystąpieniem do pracy sprawdzić obrabiany element i usunąć z niego wszystkie gwoździe.**
7. **Narzędzie należy trzymać mocno i pewnie.**
8. **Trzymać ręce z dala od części obrotowych.**
9. **Przed włączeniem narzędzia upewnić się, czy frez nie dotyka obrabianego elementu.**
10. **Przed rozpoczęciem obróbki danego elementu pozwolić, aby urządzenie popracowało przez chwilę bez obciążenia. Zwracać uwagę na ewentualne drgania lub bicie osiowe, które mogą wskazywać na nieprawidłowe zamocowanie frezu.**
11. **Zwracać uwagę na właściwy kierunek obrotów frezu oraz posuwu.**
12. **Nie pozostawiać włączonego narzędzia. Narzędzie można uruchomić tylko, gdy jest trzymane w rękach.**
13. **Przed wyjęciem frezu należy wyłączyć narzędzie i zaczekać, aż frez całkowicie się zatrzyma.**
14. **Nie dotykać frezu od razu po zakończeniu danej operacji; może być on bardzo gorący i spowodować oparzenie skóry.**
15. **Nie smarować stopy narzędzia rozpuszczalnikiem, benzyną, olejem ani inną podobną substancją. Może to spowodować pęknięcia w stopie narzędzia.**

16. **Stosować frezy o prawidłowej średnicy chwytu, dostosowanej do prędkości narzędzia.**
17. **Niektóre materiały zawierają substancje chemiczne, które mogą być toksyczne. Unikać wdychania pyłu i kontaktu ze skórą. Przestrzegać przepisów bezpieczeństwa podanych przez dostawcę materiałów.**
18. **Zawsze należy zakładać maskę przeciwpyłową/ oddechową odpowiednią dla danego materiału bądź zastosowania.**

ZACHOWAĆ NINIEJSZĄ INSTRUKCJĘ.

⚠ OSTRZEŻENIE: NIE WOLNO pozwolić, aby wygoda lub rutyna (nabyta w wyniku wielokrotnego używania urządzenia) zastąpiły ściśle przestrzeganie zasad bezpieczeństwa obsługi. **NIEWŁAŚCIWE UŻYTKOWANIE** narzędzia lub niestosowanie się do zasad bezpieczeństwa podanych w niniejszej instrukcji obsługi może prowadzić do poważnych obrażeń ciała.

Ważne zasady bezpieczeństwa dotyczące akumulatora

1. **Przed użyciem akumulatora zapoznać się ze wszystkimi instrukcjami i znakami ostrzegawczymi na (1) ładowarce, (2) akumulatorze i (3) produkcie, w którym będzie używany akumulator.**
2. **Akumulatora nie wolno rozbierać.**
3. **Jeśli czas działania uległ znacznemu skróceniu, należy natychmiast przerwać pracę. Może bowiem dojść do przegrzania, ewentualnych poparzeń, a nawet eksplozji.**
4. **W przypadku przedostania się elektrolitu do oczu, przemyć je czystą wodą i niezwłocznie uzyskać pomoc lekarską. Może on bowiem spowodować utratę wzroku.**
5. **Nie doprowadzać do zwarcia akumulatora:**
 - (1) **Nie dotykać styków materiałami przewodzącymi prąd.**
 - (2) **Nie przechowywania akumulatora w pojemniku z metalowymi przedmiotami, takimi jak gwoździe, monety itp.**
 - (3) **Chronić akumulator przed deszczem lub wodą.**Zwarcie prowadzi do przepływu prądu elektrycznego o dużym natężeniu i przegrzania akumulatora, co w konsekwencji może grozić poparzeniami a nawet awarią urządzenia.
6. **Narzędzia i akumulatora nie wolno przechowywać w miejscach, w których temperatura osiąga bądź przekracza 50°C (122°F).**
7. **Akumulatorów nie wolno spalać, również tych poważnie uszkodzonych lub całkowicie zużytych. Akumulator może eksplodować w ogniu.**
8. **Chronić akumulator przed upadkiem i uderzeniami.**
9. **Nie wolno używać uszkodzonego akumulatora.**

10. **Stanowiące wyposażenie akumulatory litowo-jonowe podlegają przepisom dotyczącym produktów niebezpiecznych.**
Na potrzeby transportu komercyjnego, np. świadczonego przez firmy trzecie czy spedycyjne, należy przestrzegać specjalnych wymagań w zakresie pakowania i oznaczania etykietami. Przygotowanie produktu do wysyłki wymaga skonsultowania się ze specjalistą ds. materiałów niebezpiecznych. Należy także przestrzegać przepisów krajowych, które mogą być bardziej szczegółowe.
Zakleić taśmą lub zaślepić otwarte styki akumulatora oraz zabezpieczyć go, aby nie mógł się przesuwać w opakowaniu.
11. **Postępować zgodnie z przepisami lokalnymi dotyczącymi usuwania akumulatorów.**

ZACHOWAĆ NINIEJSZE INSTRUKCJE.

⚠ PRZESTROGA: Używać wyłącznie oryginalnych akumulatorów firmy Makita. Używanie nieoryginalnych akumulatorów firm innych niż Makita lub akumulatorów, które zostały zmodyfikowane, może spowodować wybuch akumulatora i pożar, obrażenia ciała oraz zniszczenie mienia. Stanowi to również naruszenie warunków gwarancji firmy Makita dotyczących narzędzia i ładowarki.

Wskazówki dotyczące zachowania maksymalnej trwałości akumulatora

1. Akumulator należy naładować zanim zostanie do końca rozładowany. Po zauważeniu spadku mocy narzędzia należy przerwać pracę i naładować akumulator.
2. Nie wolno ładować powtórnie w pełni naładowanego akumulatora. Przeładowanie akumulatora skraca jego trwałość.
3. Akumulator należy ładować w temperaturze pokojowej w przedziale 10–40°C (50–104°F). W przypadku gorącego akumulatora przed przystąpieniem do ładowania należy poczekać, aż ostygnie.
4. Akumulatory niklowo-wodorkowe należy naładować po okresie długiego nieużytkowania (dłuższego niż sześć miesięcy).

OPIS DZIAŁANIA

⚠ PRZESTROGA: Przed przystąpieniem do regulacji lub przeglądu narzędzia upewnić się, że jest ono wyłączone, a akumulator został wyjęty.

Wkładanie i wyjmowanie akumulatora

⚠ PRZESTROGA: Przed włożeniem lub wyjęciem akumulatora należy zawsze wyłączyć narzędzie.

⚠ PRZESTROGA: Podczas wkładania lub wyjmowania akumulatora należy mocno trzymać narzędzie i akumulator. W przeciwnym razie mogą się one wyszłignąć z rąk, powodując uszkodzenie narzędzia lub akumulatora i obrażenia ciała.

► **Rys.1:** 1. Czerwony wskaźnik 2. Przycisk 3. Akumulator

Aby wyjąć akumulator, przesunąć przycisk znajdujący się w przedniej jego części i wysunąć akumulator.

Aby włożyć akumulator, wyrównaj występ na akumulatorze z rowkiem w obudowie i wsuń go na swoje miejsce. Akumulator należy wsunąć do oporu, aż się zatrzaśnie na miejscu, co jest sygnalizowane delikatnym kliknięciem. Jeśli w górnej części przycisku jest widoczny czerwony wskaźnik, akumulator nie został całkowicie zatrzaśnięty.

⚠ PRZESTROGA: Akumulator należy włożyć do końca, tak aby czerwony wskaźnik nie był widoczny. W przeciwnym razie może przypadkowo wypaść z narzędzia, powodując obrażenia operatora lub osób postronnych.

⚠ PRZESTROGA: Nie wkładać akumulatora na siłę. Jeśli akumulator nie daje się swobodnie wsunąć, oznacza to, że został włożony nieprawidłowo.

Wskazanie stanu naładowania akumulatora

Tylko w przypadku akumulatorów ze wskaźnikami

► **Rys.2:** 1. Lampki wskaźnika 2. Przycisk kontrolny
Naciśnięcie przycisku kontrolnego na akumulatorze w celu wyświetlenia stanu naładowania akumulatora. Lampki wskaźnika są świecącej się przez kilka sekund.

Lampki wskaźnika			Pozostała energia akumulatora
Świeci się	Wyłączony	Miga	
■	□	▧	75–100%
■	■	■	50–75%
■	□	□	25–50%
■	□	□	0–25%
▧	□	□	Naładować akumulator.
■	■	□	Akumulator może nie działać poprawnie.
□	□	■	

WSKAZÓWKA: Zależnie od warunków użytkowania i temperatury otoczenia, wskazywany poziom może nieznacznie się różnić od rzeczywistego stanu naładowania akumulatora.

Układ zabezpieczenia narzędzia/akumulatora

Narzędzie jest wyposażone w układ zabezpieczenia narzędzia/akumulatora. Układ automatycznie odcina zasilanie silnika w celu wydłużenia trwałości narzędzia i akumulatora. Narzędzie zostanie automatycznie zatrzymane podczas pracy w następujących sytuacjach związanych z narzędziem lub akumulatorem:

Zabezpieczenie przed przeciążeniem

W przypadku użytkowania akumulatora w sposób powodujący nadmiernie wysoki pobór prądu narzędzie zostanie automatycznie zatrzymane bez ostrzeżenia. W takiej sytuacji należy wyłączyć narzędzie i zaprzestać wykonywania czynności powodującej przeciążenie narzędzia. Następnie należy włączyć narzędzie w celu jego ponownego uruchomienia.

Zabezpieczenie przed przegrzaniem

W przypadku przegrzania narzędzia lub akumulatora narzędzie automatycznie się wyłączy i zacznie migać lampka. W takiej sytuacji należy odczekać, aż narzędzie ostygnie przed ponownym włączeniem narzędzia.

Zabezpieczenie przed nadmiernym rozładowaniem

Gdy stan naładowania akumulatora stanie się zbyt niski, narzędzie zostanie automatycznie zatrzymane. W takiej sytuacji należy wyjąć akumulator z narzędzia i naładować go.

Działanie przełącznika

Aby włączyć narzędzie, należy nacisnąć przycisk blokowania/odblokowywania. Narzędzie przełączy się w tryb czuwania. Aby uruchomić narzędzie, należy nacisnąć przycisk Start/Stop w trybie czuwania. Aby zatrzymać narzędzie, należy ponownie nacisnąć przycisk Start/Stop. Narzędzie przełączy się w tryb czuwania. Aby wyłączyć narzędzie, należy nacisnąć przycisk blokowania/odblokowywania w trybie czuwania.

► **Rys.3:** 1. Przycisk blokowania/odblokowywania
2. Przycisk Start/Stop

WSKAZÓWKA: Jeśli narzędzie pozostanie bezczynne przez 10 sekund w trybie czuwania, wyłączy się automatycznie, a lampka zgaśnie.

WSKAZÓWKA: Narzędzie można również zatrzymać i wyłączyć przez naciśnięcie przycisku blokowania/odblokowywania podczas pracy narzędzia.

Włączanie lampki czołowej

▲ PRZESTROGA: Nie patrzeć na światło ani bezpośrednio na źródło światła.

Aby włączyć lampkę, należy nacisnąć przycisk blokowania/odblokowywania. Aby wyłączyć lampkę, należy ponownie nacisnąć przycisk blokowania/odblokowywania.

UWAGA: Gdy narzędzie się przegrzewa, lampka miga. Przed ponownym użyciem narzędzia trzeba poczekać, aż całkowicie ostygnie.

WSKAZÓWKA: Aby usunąć zabrudzenia z klosza lampki, należy użyć suchej szmatki. Uważać, aby nie zarysować klosza lampki, gdyż może to zmniejszyć natężenie oświetlenia.

Pokrętło regulacji prędkości

Prędkość obrotową narzędzia można zmieniać poprzez obracanie pokrętła regulacji prędkości. W tabeli poniżej przedstawiono cyfry umieszczone na pokrętle i odpowiadające im prędkości obrotowe.

► **Rys.4:** 1. Pokrętło regulacji prędkości

Cyfra	Prędkość
1	10 000 min ⁻¹
2	15 000 min ⁻¹
3	20 000 min ⁻¹
4	25 000 min ⁻¹
5	30 000 min ⁻¹

UWAGA: Jeśli narzędzie będzie używane nieprzerwanie przez dłuższy czas przy małych prędkościach, nastąpi przeciążenie silnika skutkujące awarią narzędzia.

UWAGA: Przy zmianie położenia pokrętła regulacji prędkości z „5” na „1” należy obracać je w lewo. Nie obracać pokrętła w prawo na siłę.

Funkcja regulacji elektronicznej

Narzędzie jest wyposażone w funkcję regulacji elektronicznej ułatwiającą jego obsługę.

- Kontrola stałej prędkości
Funkcja regulacji prędkości zapewnia stałą prędkość obrotową niezależnie od warunków obciążenia.
- Funkcja łagodnego uruchamiania
Funkcja łagodnego uruchamiania minimalizuje wstrząs powstający podczas normalnego uruchamiania, dzięki czemu rozruch narzędzia jest płynny.

Regulacja głębokości frezowania

Aby wyregulować głębokość frezowania, należy zwinąć dźwignię blokady, a następnie przesunąć podstawę narzędzia do góry lub do dołu, obracając śrubę regulacyjną. Po zakończeniu regulacji dźwignię blokady należy mocno zacisnąć.

► **Rys.5:** 1. Dźwignia blokady 2. Śruba regulacyjna

UWAGA: Jeśli narzędzie nie zostanie zabezpieczone po zaciśnięciu dźwigni blokady, dokręcić nakrętkę sześciokątną, a następnie ponownie zaciśnąć dźwignię blokady.

► **Rys.6:** 1. Nakrętka sześciokątna

Regulacja głębokości frezowania za pomocą podstawy mocującej

Osprzęt dodatkowy

1. Umieścić narzędzie na płaskiej powierzchni.
2. Wybrać śrubę oporową, obracając podstawę oporową.
► **Rys.7:** 1. Śruba oporowa 2. Podstawa oporowa
3. Poluzować nakrętkę mocującą pręt ogranicznika, a następnie pociągnąć do góry pręt ogranicznika, naciskając jednocześnie przycisk posuwu.
► **Rys.8:** 1. Pręt ogranicznika 2. Nakrętka mocująca 3. Przycisk posuwu
4. Docisnąć narzędzie tak, aby końcówka frezu dotknęła płaskiej powierzchni, a następnie obrócić dźwignię mocującą w celu zabezpieczenia narzędzia.
► **Rys.9:** 1. Dźwignia mocująca 2. Frez
5. Nacisnąć do dołu pręt ogranicznika, naciskając jednocześnie przycisk posuwu, aż do zetknięcia ze śrubą oporową.
► **Rys.10:** 1. Pręt ogranicznika 2. Śruba oporowa 3. Przycisk posuwu
6. Przesunąć wskaźnik głębokości tak, aby wskazywał „0” na skali.
► **Rys.11:** 1. Wskaźnik głębokości
7. Wyregulować głębokość frezowania, ciągnąc do góry pręt ogranicznika i naciskając jednocześnie przycisk posuwu.
► **Rys.12:** 1. Pręt ogranicznika 2. Przycisk posuwu
8. Aby dokładnie wyregulować głębokość frezowania, obrócić pokrętko na pręcie ogranicznika w taki sposób, żeby wskazywało „0”.
► **Rys.13:** 1. Pokrętko
9. Obracać główkę pręta ogranicznika w celu uzyskania wymaganej głębokości. Aby zwiększyć głębokość, obracać główkę w lewo. Aby zmniejszyć głębokość, obracać główkę w prawo.
► **Rys.14:** 1. Główna pręta ogranicznika
10. Dokręcić nakrętkę mocującą pręta ogranicznika.
► **Rys.15:** 1. Nakrętka mocująca
11. Zwolnić dźwignię mocującą.
► **Rys.16:** 1. Dźwignia mocująca

MONTAŻ

▲PRZESTROGA: Przed przystąpieniem do prac konserwacyjnych przy narzędziu upewnić się, że jest ono wyłączone, a akumulator został wyjęty.

Mocowanie i wyjmowanie frezu

UWAGA: Nie wolno dokręcać nakrętki zaciskowej bez zamocowanego frezu. Może to spowodować pęknięcie stożka zaciskowego.

Wsunąć frez do oporu w stożek zaciskowy. Nacisnąć blokadę wałka i dokręcić nakrętkę zaciskową za pomocą klucza albo dokręcić mocno nakrętkę zaciskową za pomocą dwóch kluczy. Aby wyjąć frez, należy wykonać procedurę mocowania w odwrotnej kolejności.

► **Rys.17:** 1. Blokada wałka 2. Odkręcanie 3. Dokręcanie 4. Klucz 5. Nakrętka zaciskowa

► **Rys.18:** 1. Klucz 2. Odkręcanie 3. Dokręcanie 4. Nakrętka zaciskowa

WSKAZÓWKAWKA: Blokada wałka nie może powrócić do pierwotnego położenia po dokręceniu nakrętki zaciskowej na etapie mocowania frezu. Blokada wałka wraca do pierwotnego położenia podczas uruchamiania narzędzia.

► **Rys.19:** 1. Blokada wałka

Montaż i demontaż stopy frezarki

1. Zwolnić dźwignię blokady stopy frezarki, a następnie umieścić narzędzie w stopie frezarki tak, aby rowek na narzędziu pokrył się z występem na stopie frezarki.

► **Rys.20:** 1. Dźwignia blokady

2. Ustawić dźwignię w położeniu blokady.

3. Zamocować króciec odpylania do stopy frezarki, a następnie dokręcić śrubę radełkową.

► **Rys.21:** 1. Króciec odpylania 2. Śruba radełkowa

► **Rys.22**

Aby zdemontować podstawę, należy wykonać procedurę montażu w odwrotnej kolejności.

▲PRZESTROGA: W przypadku używania narzędzia w połączeniu ze stopą frezarki należy pamiętać o zamontowaniu krócca odpylania na stopie frezarki.

Montaż i demontaż podstawy przechylnej

Wyposażenie dodatkowe

1. Zwolnić dźwignię blokady podstawy przechylnej, a następnie umieścić narzędzie w podstawie przechylnej tak, aby rowek na narzędziu pokrył się z występem na podstawie przechylnej.

► **Rys.23:** 1. Dźwignia blokady

2. Ustawić dźwignię w położeniu blokady.

Aby zdemontować podstawę, należy wykonać procedurę montażu w odwrotnej kolejności.

Montaż i demontaż podstawy dystansowej

Wyposażenie dodatkowe

1. Nacisnąć blokadę wałka, a następnie poluzować nakrętkę zaciskową.

► **Rys.24:** 1. Blokada wałka 2. Nakrętka zaciskowa 3. Klucz

2. Odkręcić nakrętkę zaciskową i wyjąć stożek zaciskowy.

► **Rys.25:** 1. Nakrętka zaciskowa 2. Stożek zaciskowy

3. Zamontować koło pasowe na narzędziu, naciskając blokadę wałka i dokręcając koło pasowe za pomocą klucza.

► **Rys.26:** 1. Klucz 2. Koło pasowe 3. Blokada wałka

4. Odkręcić śruby znajdujące się na płycie podstawowej, a następnie zdjąć płytkę podstawową.

► **Rys.27:** 1. Płytkę podstawową

5. Zwolnić dźwignię blokady podstawy dystansowej, a następnie umieścić narzędzie w podstawie dystansowej.

► **Rys.28:** 1. Dźwignia blokady

6. Zamocować pasek na kole pasowym, obracając pasek ręką.

► **Rys.29:** 1. Koło pasowe 2. Pasek

7. Ustawić dźwignię w położeniu blokady.

► **Rys.30:** 1. Dźwignia blokady

8. Zamocować płytkę podstawową, dokręcając śruby.

► **Rys.31:** 1. Płytkę podstawową

9. Umieścić stożek zaciskowy i frez w podstawie dystansowej, a następnie dokręcić nakrętkę zaciskową.

► **Rys.32:** 1. Frez 2. Nakrętka zaciskowa 3. Stożek zaciskowy

10. Umieścić klucz imbusowy w otworze podstawy dystansowej, a następnie dokręcić nakrętkę zaciskową kluczem.

► **Rys.33:** 1. Nakrętka zaciskowa 2. Klucz 3. Klucz imbusowy

Aby zdemontować podstawę, należy wykonać procedurę montażu w odwrotnej kolejności.

WSKAZÓWKA: Pasek można również zamocować na kole pasowym bez demontażu płytki podstawowej, jak pokazano na rysunku.

► **Rys.34:** 1. Koło pasowe 2. Pasek

Montaż i demontaż podstawy mocującej

Wyposażenie dodatkowe

1. Zwolnić dźwignię blokady podstawy mocującej, a następnie włożyć narzędzie do oporu w podstawę mocującą tak, aby rowek na narzędziu pokrył się z występem na podstawie mocującej.

► **Rys.35:** 1. Dźwignia blokady

2. Ustawić dźwignię w położeniu blokady.

Aby zdemontować podstawę, należy wykonać procedurę montażu w odwrotnej kolejności.

Montaż i demontaż przewodnicy równoległej na podstawie mocującej

Wyposażenie dodatkowe

Umieścić pręty prowadzące w otworach w podstawie mocującej, a następnie dokręcić śruby motylkowe. Aby zdemontować przewodnicę, należy wykonać procedurę montażu w odwrotnej kolejności.

► **Rys.36:** 1. Śruba motylkowa 2. Pręt prowadzący

Montaż i demontaż króćca odpylania na podstawie mocującej

Umieścić króciec odpylania w podstawie mocującej tak, aby występ na króćcu odpylania wszedł w wycięcie w podstawie mocującej, a następnie dokręcić śrubę radełkowaną na króćcu odpylania. Aby zdemontować króciec, należy wykonać procedurę montażu w odwrotnej kolejności.

► **Rys.37:** 1. Występ 2. Króciec odpylania 3. Śruba radełkowana

► **Rys.38**

OBSŁUGA

Używanie narzędzia ze stopą frezarki

Ustawić podstawę narzędzia na obrabianym elemencie tak, aby frez nie stykał się z nim. Włączyć narzędzie i poczekać, aż frez osiągnie pełną prędkość. Przesunąć narzędzie do przodu po powierzchni obrabianego elementu. Podczas ruchu narzędzia jego podstawa powinna przylegać do obrabianego elementu. Podczas frezowania krawędzi powierzchnia obrabianego elementu powinna znajdować się po lewej stronie frezu, patrząc w kierunku posuwu.

► **Rys.39**

WSKAZÓWKA: Przed rozpoczęciem frezowania właściwego elementu obrabianego zaleca się wykonanie próbnego frezowania. Odpowiednia prędkość posuwu zależy od rozmiaru frezu, rodzaju obrabianego elementu i głębokości frezowania. Zbyt szybkie przesuwanie narzędzia do przodu może skutkować niską jakością frezowania albo uszkodzeniem frezu lub silnika. Z kolei zbyt wolne przesuwanie narzędzia do przodu może spowodować przypalenie i uszkodzenie frezowanej powierzchni.

W przypadku używania stopy frezarki, przewodnicy prostej lub przewodnicy krawędziowej należy pamiętać, aby znajdowały się one po prawej stronie, patrząc w kierunku posuwu. Dzięki temu przewodnica będzie wyrównana z bokiem obrabianego elementu.

► **Rys.40:** 1. Frez 2. Obrabiany element 3. Przewodnica prosta

UWAGA: Ponieważ nadmierna eksploatacja może spowodować przeciążenie silnika lub problemy z zachowaniem kontroli nad narzędziem, głębokość frezowania nie powinna przekraczać 3 mm przy jednym przejściu podczas frezowania rowków. Jeśli głębokość frezowania ma przekraczać 3 mm, należy wykonać kilka przejść, zwiększając stopniowo ustawienie głębokości frezu.

Używanie prowadnicy prostej

Osprzęt dodatkowy

1. Zamontować prowadnicę prostą przy użyciu śruby i nakrętki skrzydełkowej.
▶ **Rys.41:** 1. Śruba 2. Nakrętka skrzydełkowa
2. Zamocować prowadnicę prostą do stopy frezarki przy użyciu śruby zaciskowej.
▶ **Rys.42:** 1. Śruba zaciskowa
3. Poluzować nakrętkę skrzydełkową na prowadnicy prostej i ustawić odległość między frezem a prowadnicą prostą. Po ustawieniu żądanej odległości dokręcić nakrętkę skrzydełkową.
▶ **Rys.43:** 1. Nakrętka skrzydełkowa
4. Podczas frezowania narzędzie należy przesuwając tak, aby prowadnica prosta przylegała do boku obrabianego elementu.
▶ **Rys.44**

Jeśli odległość (A) między bokiem obrabianego elementu a miejscem frezowania jest zbyt duża dla prowadnicy prostej lub bok obrabianego elementu nie jest prosty, nie można używać prowadnicy prostej. W takim przypadku należy przymocować ściskiem prostą deskę do obrabianego elementu i użyć jej jako prowadnicy dla stopy frezarki. Przesuwać narzędzie w kierunku strzałki.
▶ **Rys.45**

Używanie prowadnicy prostej do frezowania obwodowego

W przypadku frezowania obwodowego prowadnicę prostą należy zamontować w sposób pokazany na rysunkach. Minimalne i maksymalne wartości promienia wycinanych okręgów (odległość pomiędzy środkami okręgu a środkiem frezu) są następujące:

- Wartość minimalna: 70 mm
- Wartość maksymalna: 221 mm

Wycinanie okręgów o promieniu od 70 mm do 121 mm.

- ▶ **Rys.46:** 1. Otwór środkowy

Wycinanie okręgów o promieniu od 121 mm do 221 mm.

- ▶ **Rys.47:** 1. Otwór środkowy

WSKAZÓWKA: Za pomocą tej prowadnicy nie można wycinać okręgów o promieniu od 172 mm do 186.

Wyrównać otwór środkowy w prowadnicy prostej ze środkiem okręgu do wycięcia. Wcisnąć do otworu środkowego gwóźdź o średnicy mniejszej niż 6 mm, aby zablokować prowadnicę prostą. Obracać narzędzie wokół gwóźdźnia w prawą stronę.

- ▶ **Rys.48:** 1. Gwóźdź 2. Otwór środkowy

Używanie prowadnicy kopijującej

Osprzęt dodatkowy

Prowadnica kopijująca umożliwi powtarzalne wycinanie przy użyciu wzornika.

1. Odkręcić śruby znajdujące się na płytce podstawowej, a następnie zdjąć płytkę podstawową ze stopy frezarki.
2. Umieścić prowadnicę kopijującą na podstawie, a następnie zamocować płytkę podstawową, dokręcając śruby.
▶ **Rys.49:** 1. Płytkę podstawową 2. Prowadnicę kopijującą
3. Umieścić narzędzie na wzorniku i przesuwać je tak, aby prowadnica kopijująca przesuwała się wzdłuż krawędzi wzornika.
▶ **Rys.50**

WSKAZÓWKA: Rzeczywista wielkość wycięcia w obrabianym elemencie różni się nieco od wielkości wzornika. Różnicę stanowi odległość (X) między frezem a zewnętrzną krawędzią prowadnicy kopijującej. Odległość (X) można obliczyć za pomocą następującego wzoru:

$$\text{Odległość (X)} = (\text{średnica zewnętrzna prowadnicy kopijującej} - \text{średnica frezu}) / 2$$

- ▶ **Rys.51:** 1. Frez 2. Prowadnica kopijująca
3. Odległość (X) 4. Średnica zewnętrzna prowadnicy kopijującej

Używanie prowadnicy krawędziowej

Osprzęt dodatkowy

Prowadnica krawędziowa umożliwi przycinanie zaokrąglonego boku, na przykład w przypadku okleinowania mebli, przez przesuwanie rolki prowadzącej wzdłuż boku obrabianego elementu.

- ▶ **Rys.52**

1. Poluzować śrubę zaciskową, a następnie zamontować prowadnicę krawędziową na stopie frezarki i dokręcić śrubę zaciskową.
▶ **Rys.53:** 1. Śruba zaciskowa
2. Poluzować śrubę zaciskową i ustawić odległość między frezem a prowadnicą krawędziową, obracając śrubę regulacyjną (jeden obrót odpowiada przesunięciu o 1 mm). Po uzyskaniu żądanej odległości dokręcić śrubę zaciskową, aby zamocować prowadnicę krawędziową.
▶ **Rys.54:** 1. Śruba regulacyjna 2. Śruba zaciskowa
3. Podczas frezowania narzędzie należy przesuwając tak, aby rolka prowadząca przylegała do boku obrabianego elementu.
▶ **Rys.55:** 1. Obrabiany element 2. Frez 3. Rolka prowadząca

Używanie narzędzia z podstawą przechylną

Stosowanie podstawy przechylnej jest wygodne w przypadku ukosowania. Poluzować śruby motylkowe, a następnie przechylić narzędzie pod wymaganym kątem i dokręcić śruby motylkowe.

Przymocować ściskiem prostą deskę do obrabianego elementu i użyć jej jako prowadnicy podstawy przechylnej. Przesuwać narzędzie w kierunku strzałki.

► **Rys.56:** 1. Śruba motylkowa

Używanie płytki podstawy przechylnej we współpracy ze stopą frezarki

W celu użycia stopy frezarki we współpracy z kwadratową płytką podstawową należy zdemontować płytkę podstawową z podstawy przechylnej, a następnie zamocować ją do stopy frezarki.

► **Rys.57:** 1. Płytką podstawy przechylnej 2. Płytką stopy frezarki

Używanie narzędzia z podstawą dystansową

Stosowanie podstawy dystansowej jest wygodne w przypadku pracy w ciasnych miejscach, takich jak narożniki.

► **Rys.58**

Używanie stopy frezarki we współpracy z płytką podstawy dystansowej i uchwytem

Płytkę podstawy dystansowej można również stosować wraz ze stopą frezarki i elementem montażowym uchwyty (wyposażenie dodatkowe) w celu uzyskania lepszej stabilności narzędzia.

1. Odkręcić śruby znajdujące się na płycie podstawowej, a następnie zdjąć płytkę podstawową z podstawy dystansowej.

► **Rys.59:** 1. Płytką podstawy dystansowej 2. Płytką stopy frezarki

2. Zamocować płytkę podstawy dystansowej do stopy frezarki, dokręcając śruby.

3. Zamocować element montażowy uchwyty oraz uchwyt prętowy do płytki podstawy dystansowej, dokręcając śruby.

► **Rys.60:** 1. Uchwyt prętowy 2. Element montażowy uchwyty

Na podstawie dystansowej można zamiast uchwyty prętowego zamontować uchwyt gałkowy, zdemontowany z podstawy mocującej.

► **Rys.61:** 1. Śruba 2. Uchwyt gałkowy

Używanie narzędzia z podstawą mocującą

Podczas pracy należy zawsze mocno trzymać oburącz uchwyty narzędzia. Narzędziem należy posługiwać się w taki sam sposób jak w przypadku stosowania stopy frezarki.

Używanie prowadnicy prostej

Osprzęt dodatkowy

1. Zamontować prowadnicę prostą do uchwyty prowadnicy, dokręcając nakrętkę skrzydełkową. Umieścić uchwyt prowadnicy w otworach w podstawie mocującej, a następnie dokręcić śruby motylkowe.

► **Rys.62:** 1. Śruba motylkowa 2. Uchwyt prowadnicy 3. Nakrętka skrzydełkowa 4. Prowadnica prosta

2. Poluzować nakrętkę skrzydełkową na prowadnicy prostej i ustawić odległość między frezem a prowadnicą prostą. Po ustawieniu żądanej odległości dokręcić nakrętkę skrzydełkową.

► **Rys.63:** 1. Nakrętka skrzydełkowa

3. Narzędziem należy posługiwać się w taki sam sposób jak w przypadku stosowania prowadnicy prostej dla stopy frezarki.

► **Rys.64**

Używanie prowadnicy kopiującej

Osprzęt dodatkowy

1. Poluzować i wykręcić śruby na podstawie. Umieścić prowadnicę kopiującą na podstawie, a następnie dokręcić śruby.

► **Rys.65:** 1. Śruba 2. Prowadnica kopiująca

2. Narzędziem należy posługiwać się w taki sam sposób jak w przypadku stosowania prowadnicy kopiującej dla stopy frezarki.

► **Rys.66**

Używanie prowadnicy równoległej

Prowadnica równoległa jest bardzo przydatna podczas fazowania krawędzi lub frezowania rowków w celu uzyskania prostych krawędzi. Ustawić odległość pomiędzy frezem a prowadnicą równoległą. Po uzyskaniu żądanej odległości dokręcić śruby motylkowe, aby zamocować prowadnicę równoległą. Podczas frezowania należy przesuwając narzędzie tak, aby prowadnica równoległa przylegała do boku obrabianego elementu.

► **Rys.67**

Jeśli odległość (A) między bokiem obrabianego elementu a miejscem frezowania jest zbyt duża dla prowadnicy równoległej lub jeśli bok obrabianego elementu nie jest prosty, nie można używać prowadnicy równoległej.

W takim przypadku należy przymocować ściskiem prostą deskę do obrabianego elementu i użyć jej jako prowadnicy dla podstawy mocującej. Przesuwać narzędzie w kierunku strzałki.

► **Rys.68**

Zamiana uchwytu gałkowego na uchwyt prętowy

Aby zamontować uchwyt gałkowy na podstawie mocującej, należy odkręcić śrubę uchwytu gałkowego, a następnie zdjąć uchwyt gałkowy i zamontować uchwyt prętowy, dokręcając go.
► **Rys.69:** 1. Uchwyt gałkowy 2. Śruba 3. Uchwyt prętowy

KONSERWACJA

▲PRZESTROGA: Przed przystąpieniem do przeglądu narzędzia lub jego konserwacji upewnij się, że jest ono wyłączone, a akumulator wyjęty.

UWAGA: Nie stosować benzyny, rozpuszczalników, alkoholu itp. środków. Mogą one powodować odbarwienia, odkształcenia lub pęknięcia.

W celu zachowania odpowiedniego poziomu BEZPIECZEŃSTWA i NIEZAWODNOŚCI produktu wszelkie naprawy i różnego rodzaju prace konserwacyjne lub regulacje powinny być przeprowadzane przez autoryzowany lub fabryczny punkt serwisowy narzędzi Makita, zawsze z użyciem oryginalnych części zamiennych Makita.

AKCESORIA OPCJONALNE

▲PRZESTROGA: Zaleca się stosowanie wymiennych akcesoriów i przystawek razem z narzędziem Makita opisanym w niniejszej instrukcji. Stosowanie innych akcesoriów lub przystawek może być przyczyną obrażeń ciała. Akcesoria lub przystawki należy wykorzystywać tylko zgodnie z ich przeznaczeniem.

W razie potrzeby wszelkiej pomocy i szczegółowych informacji na temat niniejszych akcesoriów udziela Państwu lokalne punkty serwisowe Makita.

- Frezy proste i frezy do rowków
- Frezy do krawędzi
- Frezy do przycinania okleiny
- Zespół prowadnicy prostej
- Zespół prowadnicy krawędziowej
- Zespół stopy frezarki
- Zespół podstawy przechyłnej
- Zespół podstawy mocującej
- Zespół podstawy dystansowej
- Element montażowy uchwytu
- Prowadnica kopiująca
- Stożek zaciskowy 6 mm
- Stożek zaciskowy 6,35 mm (1/4 cala)
- Stożek zaciskowy 8 mm
- Stożek zaciskowy 9,53 mm (3/8 cala)
- Klucz 13
- Klucz 22

WSKAZÓWKA: Niektóre pozycje znajdujące się na liście mogą być dołączone do pakietu narzędziowego jako akcesoria standardowe. Mogą to być różne pozycje, w zależności od kraju.

Frezy

Frez prosty

► Rys.70

	D	A	L1	L2
20E	6	20	50	15
8	1/4 cala			
8E	8	8	60	25
8	6		50	18
6E	1/4 cala	6	50	18
6	6			

Jednostka: mm

Frez „U” do wpuśców

► Rys.71

	D	A	L1	L2	R
6E	6	6	50	18	3
6	1/4 cala				

Jednostka: mm

Frez „V” do wpuśców

► Rys.72

D	A	L1	L2	θ
1/4 cala	20	50	15	90°

Jednostka: mm

Frez do krawędzi z ostrzem wiertła

► Rys.73

	D	A	L1	L2	L3
6E	6	6	60	20	35
8	8			18	28
6E	1/4 cala				

Jednostka: mm

Frez do krawędzi z podwójnym ostrzem i ostrzem wiertła

► Rys.74

	D	A	L1	L2	L3	L4
6E	6	6	70	40	12	14
8	8					
6E	1/4 cala					

Jednostka: mm

Frez do zaokrągleń

► Rys.75

	D	A1	A2	L1	L2	L3	R
4RE	6	25	9	48	13	5	8
8R	8						
4R	6	20	8	45	10	4	4
4RE	1/4 cala						

Jednostka: mm

Frez do ukosowania**► Rys.76**

D	A	L1	L2	L3	θ
6	23	46	11	6	30°
6	20	50	13	5	45°
6	20	49	14	2	60°

Jednostka: mm

Frez do profilowania, wklęsły**► Rys.77**

D	A	L1	L2	R
6	20	43	8	4
6	25	48	13	8

Jednostka: mm

Frez do krawędzi z łożyskiem kulkowym**► Rys.78**

D	A	L1	L2
6	10	50	20
1/4 cala			

Jednostka: mm

Frez do zaokrągleń z łożyskiem kulkowym**► Rys.79**

D	A1	A2	L1	L2	L3	R
6	15	8	37	7	3,5	3
6	21		40	10		6
1/4 cala						

Jednostka: mm

Frez do ukosowania z łożyskiem kulkowym**► Rys.80**

D	A1	A2	L1	L2	θ
6	26	8	42	12	45°
1/4 cala			41	11	60°
6	20				

Jednostka: mm

Frez do profilowania z łożyskiem kulkowym**► Rys.81**

D	A1	A2	A3	L1	L2	L3	R
6	20	12	8	40	10	5,5	4
6	26			42	12	4,5	7

Jednostka: mm

Frez do profilowania z łożyskiem kulkowym, wklęsły**► Rys.82**

D	A1	A2	A3	A4	L1	L2	L3	R
6	20	18	12	8	40	10	5,5	3
6	26				42	12	5	5

Jednostka: mm

Frez „esownica rzymska” z łożyskiem kulkowym**► Rys.83**

D	A1	A2	L1	L2	L3	R1	R2
6	20	8	40	10	4,5	2,5	4,5
6	26		42	12		3	6

Jednostka: mm

RÉSZLETES LEÍRÁS

Tipus:	DRT50
Bilincses tokmány befogadóképessége	6 mm, 8 mm, 1/4" vagy 3/8"
Üresjárat fordulatszám	10 000–30 000 min ⁻¹
Teljes hossz	226 mm
Névleges feszültség	18 V, egyenáram
Szabványos akkumulátor	BL1815N / BL1820 / BL1820B / BL1830 / BL1830B / BL1840 / BL1840B / BL1850 / BL1850B / BL1860B
Nettó tömeg	1,8–2,1 kg

- Folyamatos kutató- és fejlesztőprogramunk eredményeként az itt felsorolt tulajdonságok figyelmeztetés nélkül megváltozhatnak.
- A műszaki adatok és az akkumulátor országoként változhatnak.
- A súly a felszerelt tartozékoktól függően változhat, az akkumulátort is beleértve. Az EPTA 01/2014 eljárás szerint meghatározott legnehezebb, illetve legkönnyebb kombináció a táblázatban látható.

Rendeltetés

A szerszám faanyagok, műanyagok és más hasonló anyagok felsőmarásához és profilok kialakításához használható.

Zaj

A tipikus A-súlyozású zajszint, a EN60745 szerint meghatározva:

Hangnyomásszint (L_{pA}): 78 dB(A)

Bizonytalanság (K): 3 dB(A)

▲ FIGYELMEZTETÉS: Viseljen fülvédőt!

Vibráció

A vibráció teljes értéke (háromtengelyű vektorösszeg) az EN60745 szerint meghatározva:

Üzem mód: terhelés nélküli fordulatszám

Rezgéskibocsátás (a_{h1}): 2,5 m/s² vagy kisebb

Bizonytalanság (K): 1,5 m/s²

Üzem mód: vágási mélység MDF-ben

Rezgéskibocsátás (a_{h2}): 4,5 m/s²

Bizonytalanság (K): 1,5 m/s²

MEGJEGYZÉS: A rezgéskibocsátás értéke a szabványos vizsgálati eljárásnak megfelelően lett mérve, és segítségével az elektromos kéziszerszámok összehasonlíthatók egymással.

MEGJEGYZÉS: A rezgéskibocsátás értékének segítségével előzetesen megbecsülhető a rezgésnek való kitettség mértéke.

▲ FIGYELMEZTETÉS: A szerszám rezgéskibocsátása egy adott alkalmazásnál elérheti a megadott értéktől a használat módjától függően.

▲ FIGYELMEZTETÉS: Határozza meg a kezelő védelmét szolgáló munkavédelmi lépéseket, melyek az adott munkafeltételek melletti vibrációs hatás becslött mértékén alapulnak (figyelembe véve a munkaciklus elemeit, mint például a gép leállításának és üresjáratának mennyiségét az elindítások száma mellett).

EK Megfelelőségi nyilatkozat

Csak európai országokra vonatkozóan

Az EK-megfelelőségi nyilatkozat az útmutató „A” mellékletében található.

BIZTONSÁGI FIGYELMEZTETÉS

A szerszámgépekre vonatkozó általános biztonsági figyelmeztetések

▲ FIGYELMEZTETÉS: Olvassa el a szerszámgéphez mellékelt összes biztonsági figyelmeztetést, utasítást, illusztrációt és a műszaki adatokat. A következőkben leírt utasítások figyelmen kívül hagyása elektromos áramütést, tüzet és/vagy súlyos sérülést eredményezhet.

Őrizzen meg minden figyelmeztetést és utasítást a későbbi tájékozódás érdekében.

A figyelmeztetésekben szereplő "szerszámgép" kifejezés az Ön hálózatról (vezetékes) vagy akkumulátorról (vezeték nélküli) működtetett szerszámgépére vonatkozik.

Az akkumulátoros felsőmaróra vonatkozó biztonsági figyelmeztetések

1. **A szerszámgépet a szigetelt markolási felületeinél fogva tartsa, mert fennáll a veszélye, hogy a vágószerszám rejtett vezetékbe ütközik.** A feszültség alatt lévő vezeték elvágásakor a szerszám fém alkatrészei is áram alá kerülnek, és áramütés érheti a kezelőt.
2. **Szorítókkal vagy más praktikus módon rögzítse és támasza meg a munkadarabot egy szilárd padozaton.** Ha a munkadarabot a kezével vagy a testével tartja meg, az instabil lehet, és a kezelő elvesztheti uralmát a szerszám felett.

3. Viseljen hallásvédőt hosszabb idejű használat során.
4. Kezelje nagyon óvatosan a szélező vágószerszámokat.
5. Gondosan ellenőrizze a szélező vágószerszámot a használat előtt, repedések vagy sérülések tekintetében. Azonnal cserélje ki a megrepedt vagy sérült szélezőszerszámot.
6. Kerülje a szegek átvágását. A művelet megkezdése előtt ellenőrizze a munkadarabot, és húzza ki belőle az összes szeget.
7. Biztosan tartsa a szerszámot.
8. Ne nyúljon a forgó részekhez.
9. Ellenőrizze, hogy a szélező vágószerszám nem ér a munkadarabhoz, mielőtt bekapcsolja a szerszámot.
10. Mielőtt használja a szerszámot a tényleges munkadarabon, hagyja járni egy kicsit. Figyelje a rezgéseket vagy imbolygást, amelyek rozszszul felszerelt szélezőszerszámra utalhatnak.
11. Figyeljen oda a szélező vágószerszám forgási irányára és az előrehaladási irányra.
12. Ne hagyja a működő szerszámot felügyelet nélkül. Csak kézben tartva használja a szerszámot.
13. A szélező vágószerszám munkadarabból való eltávolítása előtt mindig kapcsolja ki a szerszámot és várja meg, amíg a szélező vágószerszám teljesen megáll.
14. Ne érjen a szélező vágószerszámhoz közvetlenül a munkavégzést követően; az rendkívül forró lehet és megégetheti a bőrt.
15. Vigyázzon, nehogy véletlenül összekenje a szerszám alapelemét hígítóval, benzinnel vagy hasonló anyagokkal. Azok a szerszám alapelemének megrepedését okozhatják.
16. A szerszám fordulatszámának megfelelő szárméretű szélező vágószerszámot használjon.
17. Egyes anyagok mérgező vegyületet tartalmazhatnak. Gondoskodjon a por belélegzése elleni és érintés elleni védelemről. Tartsa be az anyag szállítójának biztonsági utasításait.
18. Mindig használja a megmunkált anyagnak és az alkalmazásnak megfelelő pormaszkot/gázálarcot.
4. Ha elektrolit kerül a szemébe, mossa ki azt tiszta vízzel és azonnal kérjen orvosi segítséget. Ez a látásának elvesztését okozhatja.
5. Ne zárja rövidre az akkumulátort:
 - (1) Ne érjen az érintkezőkhöz elektromosan vezető anyagokkal.
 - (2) Ne tárolja az akkumulátort más fémtárgyakkal, mint pl. szegekkel, érmekkel, stb. egy helyen.
 - (3) Ne tegye ki az akkumulátort víznek vagy esőnek.

Az akkumulátor rövidzárlata nagy áramerősséget, túlmelegedést, égéseket, sőt akár meghibásodást is okozhat.

6. Ne tárolja a szerszámot vagy az akkumulátort olyan helyen, ahol a hőmérséklet elérheti vagy meghaladhatja az 50 °C-ot (122 °F).
7. Ne égesse el az akkumulátort még akkor sem, ha az komolyan megsérült vagy teljesen elhasználódott. Az akkumulátor a tűzben felrobbanhat.
8. Vigyázzon, nehogy leejtse vagy megüsse az akkumulátort.
9. Ne használjon sérült akkumulátort.
10. A készülékben található lítium-ion akkumulátorokra a veszélyes árukkal kapcsolatos előírások vonatkoznak. A termék pl. harmadik felek, fuvarozó cégek stb. által történő szállításra történő felkészítése esetén vegye fel a kapcsolatot egy veszélyes anyagokkal foglalkozó szakemberrel. Kérjük, hogy az esetlegesen szigorúbb nemzeti előírásokat is vegye figyelembe. Ragassza le a kiálló érintkezőket, illetve oly módon csomagolja be az akkumulátort, hogy az ne tudjon elmozdulni a csomagolásban.
11. Az akkumulátor ártalmatlanításakor tartsa be a helyi előírásokat.

ŐRIZZE MEG EZEKET AZ UTASÍTÁSOKAT.

▲VIGYÁZAT: Csak eredeti Makita akkumulátorokat használjon. A nem eredeti Makita akkumulátorok vagy módosított akkumulátorok használata esetén az akkumulátor felrobbanhat, ami tüzet, személyi sérülést és anyagi kárt okozhat. A Makita szerszámra és töltőre vonatkozó Makita garanciát is érvénytelenítheti.

ŐRIZZE MEG EZEKET AZ UTASÍTÁSOKAT.

▲FIGYELMEZTETÉS: NE HAGYJA, hogy (a termék többszöri használatából eredő) kényelem és megszokás váltsa fel a termék biztonsági előírásainak szigorú betartását. A **HELYTELEN HASZNÁLAT** és a használati útmutatóban szereplő biztonsági előírások megszegése súlyos személyi sérülésekhez vezethet.

Fontos biztonsági utasítások az akkumulátorra vonatkozóan

1. Az akkumulátor használata előtt tanulmányozza át az akkumulátortöltőn (1), az akkumulátoron (2) és az akkumulátorral működtetett terméken (3) olvasható összes utasítást és figyelmeztető jelzést.
2. Ne szerelje szét az akkumulátort.
3. Ha a működési idő nagyon lerövidült, azonnal hagyja abba a használatot. Ez a túlmelegedés, esetleges égések és akár robbanás veszélyével is járhat.

Tipppek az akkumulátor maximális élettartamának eléréséhez

1. Töltse fel az akkumulátort, mielőtt teljesen lemerülne. Állítsa le a gépet, és töltse fel az akkumulátort, ha a gép erejének csökkenését észleli.
2. Soha ne töltse újra a teljesen feltöltött akkumulátort. A túltöltés csökkenti az akkumulátor élettartamát.
3. Töltse az akkumulátort szobahőmérsékleten, 10 °C - 40 °C (50 °F - 104 °F) között. Töltés előtt hagyja lehűlni a főlforrósodott akkumulátort.
4. Töltse fel az akkumulátort, ha hosszabb ideje (több mint hat hónapja) nem használta azt.

A MŰKÖDÉS LEÍRÁSA

⚠ VIGYÁZAT: Minden esetben ellenőrizze, hogy a szerszám ki van kapcsolva és az akkumulátor eltávolításra került mielőtt beállít vagy ellenőriz valamilyen funkciót a szerszámon.

Az akkumulátor behelyezése és eltávolítása

⚠ VIGYÁZAT: Mindig kapcsolja ki az eszközt, mielőtt behelyezi vagy eltávolítja az akkumulátort.

⚠ VIGYÁZAT: Az akkumulátor behelyezésekor vagy eltávolításakor erősen fogja meg a szerszámot és az akkumulátort. Ha nem fogja erősen a szerszámot és az akkumulátort, azok kicsúszhatnak a kezei közül, ami a szerszám és az akkumulátor károsodásához, de akár személyi sérüléshez is vezethet.

► **Ábra1:** 1. Piros jel 2. Gomb 3. Akkumulátor

Az akkumulátoregység kivételéhez nyomja be az akkumulátoregység elején található gombot, és húzza le a gépről.

Az akkumulátor beszereléséhez illessze az akkumulátor nyelvét a burkolaton található vátatba és csúsztassa a helyére. Egészen addig tolja be, amíg az akkumulátor egy kis kattánással a helyére nem ugrik. Ha látható a piros jel a gomb felső oldalán, akkor a gomb nem kattan be teljesen.

⚠ VIGYÁZAT: Mindig tolja be teljesen az akkumulátort, amíg a piros jel el nem tűnik. Ha ez nem történik meg, akkor az akkumulátor kieshet a szerszámból, és Önnel vagy a környezetében másnak sérülést okozhat.

⚠ VIGYÁZAT: Ne erőltesse az akkumulátort behelyezéskor. Ha az akkumulátor nem csúszik be könnyedén, akkor nem megfelelően lett behelyezve.

Az akkumulátor töltöttségének jelzése

Csak állapotjelzős akkumulátorok esetén

► **Ábra2:** 1. Jelzőlámpák 2. Check (ellenőrzés) gomb

Nyomja meg az ellenőrzőgombot, hogy az akkumulátortöltöttség-jelző megmutassa a hátralévő akkumulátor-kapacitást. Ekkor a töltöttség-szint-jelző lámpák néhány másodpercre kigyulladnak.

Jelzőlámpák			Töltöttségi szint
Világító lámpa	KI	Villogó lámpa	
■ ■ ■ ■			75%-tól 100%-ig
■ ■ ■ □			50%-tól 75%-ig
■ ■ □ □			25%-tól 50%-ig
■ □ □ □			0%-tól 25%-ig
▬ □ □ □			Töltse fel az akkumulátort.
■ ■ □ □	↑ ↓	□ □	Lehetséges, hogy az akkumulátor meghibásodott.

MEGJEGYZÉS: Az adott munkafeltételektől és a környezeti hőmérsékletétől függően a jelzett töltöttségi szint némileg eltérhet a tényleges töltöttségi szinttől.

Szerszám-/akkumulátorvédő rendszer

A gép szerszám-/akkumulátorvédő rendszerrel van felszerelve. A rendszer automatikusan kikapcsolja a motor áramellátását, így megnöveli a szerszám és az akkumulátor élettartamát. A gép használat közben automatikusan leáll, ha a szerszám vagy az akkumulátor a következő állapotok valamelyikébe kerül:

Túlterhelésvédelem

Ha az akkumulátort úgy használják, hogy az rendelkezés nagy áramot vesz fel, akkor a szerszám mindenfajta jelzés nélkül leáll. Ilyenkor kapcsolja ki a gépet, és fejezze be azt a műveletet, amelyik a túlterhelést okozza. Az újraindításhoz kapcsolja be a gépet.

Túlmelegedés elleni védelem

Ha a szerszám vagy az akkumulátor túlmelegszik, akkor automatikusan leáll, és a lámpa villogni kezd. Ilyenkor hagyja lehűlni a szerszámot és az akkumulátort, mielőtt ismét munkához látna.

Mélykisütés elleni védelem

Amikor az akkumulátor kapacitása már alacsony, a gép automatikusan leáll. Ebben az esetben távolítsa el az akkumulátort a szerszámból és töltsse fel.

A kapcsoló használata

A szerszám bekapcsolásához nyomja meg a reteszelő/kioldó gombot. A szerszám készenléti módba lép. A szerszám beindításához nyomja meg az indító/leállító gombot a készenléti módban. A szerszám leállításához nyomja meg ismét az indító/leállító gombot. A szerszám készenléti módba lép. A szerszám kikapcsolásához nyomja meg a reteszelő/kioldó gombot a készenléti módban.

► **Ábra3:** 1. Reteszelő/kioldó gomb 2. Indító/leállító gomb

MEGJEGYZÉS: Ha a szerszám 10 másodpercnél tovább marad működtetés nélkül készenléti módban, a szerszám automatikusan kikapcsol, és a lámpa elalszik.

MEGJEGYZÉS: A szerszámot működés közben a reteszelő/kioldó gomb megnyomásával is leállíthatja és kikapcsolhatja.

Az elülső lámpa bekapcsolása

VIGYÁZAT: Ne tekintsen a fénybe vagy ne nézze egyenesen a fényforrást.

A lámpa bekapcsolásához nyomja meg a reteszelő/kioldó gombot. A lámpa kikapcsolásához nyomja meg ismét a reteszelő/kioldó gombot.

MEGJEGYZÉS: Ha a szerszám túlmelegszik, a lámpa elkezd villogni. Hagyja teljesen lehűlni a szerszámot, mielőtt újra használni kezdi.

MEGJEGYZÉS: Száraz ruhadarabbal törölje le a szennyeződést a lámpa lencséjéről. Ügyeljen arra hogy ne karcolja meg a lámpa lencséjét, ez csökkentheti a megvilágítás erősségét.

Fordulatszám-szabályozó tárcsa

A szerszám fordulatszáma a szabályozótárcsa elfordításával állítható be. Az alábbi táblázatban találja a tárcsán látható számokat és az azoknak megfelelő fordulatszámot.

► **Ábra4:** 1. Fordulatszám-szabályozó tárcsa

Szám	Fordulatszám
1	10 000 min ⁻¹
2	15 000 min ⁻¹
3	20 000 min ⁻¹
4	25 000 min ⁻¹
5	30 000 min ⁻¹

MEGJEGYZÉS: Ha a szerszámot hosszú ideig folyamatosan kis fordulatszámon működteti, akkor a motor túlterhelődik, ami a szerszám hibás működését okozza.

MEGJEGYZÉS: Ha a fordulatszám-szabályozó tárcsán „5” értékről „1” értékre szeretne váltani, forgassa a tárcsát az óra járásával ellentétes irányba. Ne forgassa erővel az óra járásával megegyező irányba a tárcsát.

Elektronikus funkció

A szerszámot a könnyebb használat érdekében elektronikus funkciókkal szerelték fel.

- Állandó fordulatszám-szabályozás
A fordulatszám-szabályozó funkció a terhelési körülményektől függetlenül állandó fordulatszámot biztosít.
- Lágyindítás
A lágyindítási funkció minimalizálja az indítási löketet, és simává teszi a szerszám indulását.

A vágási mélység beállítása

A vágási mélység beállításához nyissa ki a reteszelőkart, majd a beállítócsavar forgatásával mozgassa felfelé vagy lefelé a szerszám alaplemezeit. A beállítás után erősen zárja le a reteszelőkart.

► **Ábra5:** 1. Reteszelőkar 2. Beállítócsavar

MEGJEGYZÉS: Ha a szerszám a reteszelőkar lezárása után nem rögzül, húzza meg a hatlapú anyát, majd zárja le a reteszelőkart.

► **Ábra6:** 1. Hatlapú anya

A vágási mélység beállítása a merülő alaplemez segítségével

Opcionális kiegészítő

1. Helyezze a szerszámot sík felületre.
2. Az ütközőlemez elforgatásával válassza ki az ütközőcsavart.
► **Ábra7:** 1. Ütközőcsavar 2. Ütközőlemez
3. Lazítsa ki az ütközőrúd rögzítőanyáját, majd az adagológombot nyomva tartva húzza fel az ütközőrudat.
► **Ábra8:** 1. Ütközőrúd 2. Rögzítőanya
3. Adagológomb
4. Addig tolja lefelé a szerszámot, amíg a szélező vágószerszám hegye hozzá nem ér a sík felülethez, majd fordítsa el a rögzítőkart a szerszám rögzítéséhez.
► **Ábra9:** 1. Rögzítőkar 2. Szélező vágószerszám
5. Tartsa nyomva az adagológombot, és addig tolja lefelé az ütközőrudat, amíg az hozzá nem ér az ütközőcsavarhoz.
► **Ábra10:** 1. Ütközőrúd 2. Ütközőcsavar
3. Adagológomb
6. Állítsa be a mélységjelzőt úgy, hogy a mutatója a skála „0” pontjára mutasson.
► **Ábra11:** 1. Mélységjelző
7. A vágási mélység beállításához az adagológombot nyomva tartva húzza fel az ütközőrudat.
► **Ábra12:** 1. Ütközőrúd 2. Adagológomb
8. A vágási mélység pontos beállításához forgassa el az ütközőrudon található tárcsát úgy, hogy az „0” értéket mutasson.
► **Ábra13:** 1. Tárcsa
9. A kívánt mélység beállításához forgassa el az ütközőrúd fejét. A mélység növeléséhez forgassa a fejet az óra járásával ellentétes irányba. A mélység csökkentéséhez forgassa a fejet az óra járásával megegyező irányba.
► **Ábra14:** 1. Ütközőrúd fej
10. Húzza meg az ütközőrudat rögzítő anyát.
► **Ábra15:** 1. Rögzítőanya
11. Engedje fel a rögzítőkart.
► **Ábra16:** 1. Rögzítőkar

ÖSSZESZERELÉS

⚠ VIGYÁZAT: Minden esetben ellenőrizze, hogy a szerszám ki van kapcsolva és az akkumulátort levette, mielőtt bármilyen műveletet végez a szerszámon.

A szélező vágószerszám felhelyezése és eltávolítása

MEGJEGYZÉS: Marófej behelyezése nélkül ne húzza meg a befogópatron anyáját. A befogópatron eltérhet.

Teljesen tolja be a szélező vágószerszámot a befogópatronba. Nyomja meg a tengelyreteszt, majd a villáskulcs segítségével húzza meg a befogópatron anyáját, vagy a két villáskulcs segítségével húzza meg erősen a befogópatron anyáját. A marófej eltávolításához kövesse a felszerelési eljárást fordított sorrendben.

- ▶ **Ábra17:** 1. Tengelyretesz 2. Lazítás 3. Szorítás 4. Villáskulcs 5. Befogópatron anya
- ▶ **Ábra18:** 1. Villáskulcs 2. Lazítás 3. Szorítás 4. Befogópatron anya

MEGJEGYZÉS: Előfordulhat, hogy a tengelyretesz nem tér vissza eredeti helyzetébe, amikor a szélező vágószerszám behelyezésekor megszorítja a befogópatron anyáját. A tengelyretesz akkor tér vissza eredeti helyzetébe, amikor a kezelő beindítja a szerszámot.

- ▶ **Ábra19:** 1. Tengelyretesz

A szélezőgép-alaplemez felszerelése és eltávolítása

1. Nyissa ki a szélezőgép-alaplemez reteszelőkarját, majd illessze a szerszámot a szélezőgép-alaplemezbe úgy, hogy a szerszámon található vajat illeszkedjen a szélezőgép-alaplemezen található kiemelkedéshez.

- ▶ **Ábra20:** 1. Reteszelőkar

2. Zárja le a reteszelőkart.

3. Csatlakoztassa a porkifűvót a szélezőgép-alaplemezhez, majd húzza meg a marokcsavart.

- ▶ **Ábra21:** 1. Porkifűvó 2. Marokcsavar

- ▶ **Ábra22**

Az alaplemez eltávolításához kövesse a felszerelési eljárást fordított sorrendben.

⚠ VIGYÁZAT: Ha a szerszámot a szélezőgép-alaplemezrel használja, mindig szerelje fel a porkifűvót a szélezőgép-alaplemezre.

A dönthető alaplemez felszerelése és eltávolítása

Opcionális kiegészítő

1. Nyissa ki a dönthető alaplemez reteszelőkarját, majd illessze a szerszámot a dönthető alaplemezbe úgy, hogy a szerszámon található vajat illeszkedjen a dönthető alaplemezen található kiemelkedéshez.

- ▶ **Ábra23:** 1. Reteszelőkar

2. Zárja le a reteszelőkart.

Az alaplemez eltávolításához kövesse a felszerelési eljárást fordított sorrendben.

A távtartó alaplemez felszerelése és eltávolítása

Opcionális kiegészítő

1. Nyomja meg a tengelyreteszt, majd lazítsa ki a befogópatron anyáját.

- ▶ **Ábra24:** 1. Tengelyretesz 2. Befogópatron anya 3. Villáskulcs

2. Távolítsa el a befogópatron anyáját és a befogópatront.

- ▶ **Ábra25:** 1. Befogópatron anya 2. Befogópatron

3. Szerelje fel a csigát a szerszáma úgy, hogy megnyomja a tengelyreteszt, majd meghúzza a csigát a villáskulcs segítségével.

- ▶ **Ábra26:** 1. Villáskulcs 2. Csigá 3. Tengelyretesz

4. Lazítsa meg a talplemezen található csavarokat, majd távolítsa el a talplemezt.

- ▶ **Ábra27:** 1. Talplemez

5. Nyissa ki a távtartó alaplemez reteszelőkarját, majd illessze a szerszámot a távtartó alaplemezbe.

- ▶ **Ábra28:** 1. Reteszelőkar

6. Szerelje fel a szíjat a csigára úgy, hogy kézzel forgatja a szíjat.

- ▶ **Ábra29:** 1. Csigá 2. Szíj

7. Zárja le a reteszelőkart.

- ▶ **Ábra30:** 1. Reteszelőkar

8. A csavarok meghúzásával rögzítse a talplemezt.

- ▶ **Ábra31:** 1. Talplemez

9. Illessze a befogópatront és a szélező vágószerzámot a távtartó alaplemezbe, majd húzza meg a befogópatron anyáját.

- ▶ **Ábra32:** 1. Szélező vágószerszám 2. Befogópatron anya 3. Befogópatron

10. Illessze az imbuzkulcsot a távtartó alaplemezen található lyukba, majd húzza meg a befogópatron anyáját a villáskulcs segítségével.

- ▶ **Ábra33:** 1. Befogópatron anya 2. Villáskulcs 3. Imbuzkulcs

Az alaplemez eltávolításához kövesse a felszerelési eljárást fordított sorrendben.

MEGJEGYZÉS: A szíjat az ábrán látható módon, a talplemez eltávolítása nélkül is felszerelheti a csigára.

- ▶ **Ábra34:** 1. Csigá 2. Szíj

A merülő alaplemez felszerelése és eltávolítása

Opcionális kiegészítő

1. Nyissa ki a merülő alaplemez reteszelőkarját, majd illessze a szerszámot a merülő alaplemezbe úgy, hogy a szerszámon található vajat illeszkedjen a merülő alaplemezen található kiemelkedéshez.

► **Ábra35:** 1. Reteszelőkar

2. Zárja le a reteszelőkart.

Az alaplemez eltávolításához kövesse a felszerelési eljárást fordított sorrendben.

A párhuzamvezető felszerelése és eltávolítása a merülő alaplemezről

Opcionális kiegészítő

Illessze a vezetőrudakat a merülő alaplemezen található lyukakba, majd húzza meg a szárnyas csavarokat. Az élvezető eltávolításához kövesse a felszerelési eljárást fordított sorrendben.

► **Ábra36:** 1. Szárnyas csavar 2. Vezetőrúd

A porkifúvó felszerelése és eltávolítása a merülő alaplemezről

Illessze a porkifúvót a merülő alaplemezbe úgy, hogy a porkifúvón található kiemelkedés illeszkedjen a merülő alaplemezen található bevágásba, majd húzza meg a porkifúvón található marokcsavart. A porkifúvó eltávolításához kövesse a felszerelési eljárást fordított sorrendben.

► **Ábra37:** 1. Kiemelkedés 2. Porkifúvó
3. Marokcsavar

► **Ábra38**

MŰKÖDTETÉS

A szerszám használata a szélezőgép-alaplemezrel

Helyezze a talplemezt a munkadarabra úgy, hogy a szélező vágószerszám ne érjen semmihez. Kapcsolja be a szerszámot és várja meg, amíg a marófej eléri a teljes sebességet. Tolja előre a szerszámot a munkadarab felületén. A szerszám mozgatása során tartsa szintben a talplemezt. Szélvágásakor tartsa a munkadarab felületét a szélező vágószerszám bal oldalán az előrehaladási irányhoz képest.

► **Ábra39**

MEGJEGYZÉS: A munkadarab vágása előtt javasoljuk, hogy végezzen próbavágást. A megfelelő előrehaladási sebesség függ a szélező vágószerszám átmérőjétől, a munkadarab anyagától és a vágási mélységtől. A szerszám túl gyors előtolása a vágás rossz minőségét vagy a motor, illetve a marófej károsodását okozhatja. Ha túl lassan tolja előre a szerszámot, megégetheti és felkarcolhatja a vágási felületet.

A szélezőszaru, az élvezető vagy a szélezővezető használata során ügyeljen rá, hogy azokat a jobb oldalra szerelje az előrehaladási irányhoz képest. Ez segít azt egy síkban tartani a munkadarab oldalával.

► **Ábra40:** 1. Szélező vágószerszám 2. Munkadarab
3. Élvezető

MEGJEGYZÉS: Mivel a túlzott vágás a motor túlterhelését vagy a szerszám nehéz irányíthatóságát okozhatja, hornyok vágásakor a vágási mélység egy menetben nem lehet nagyobb, mint 3 mm. Ha 3 mm-nél mélyebb hornyokat szeretne vágni, vágjon több menetben, fokozatosan növelve a marófej mélységbeállítását.

Az élvezető használata

Opcionális kiegészítők

1. Állítsa össze az élvezetőt a fejescsavar és a szárnyas anya segítségével.

► **Ábra41:** 1. Fejescsavar 2. Szárnyas anya

2. Szerelje fel az élvezetőt a szélezőgép-alaplemezre a szorítócsavarral.

► **Ábra42:** 1. Szorítócsavar

3. Lazítsa meg a szárnyas anyát az élvezetőn, majd állítsa be a távolságot a marófej és az élvezető között. A kívánt távolságnál húzza meg a szárnyas anyát.

► **Ábra43:** 1. Szárnyas anya

4. Tolja a szerszámot úgy, hogy az élvezető egy szintben legyen a munkadarab oldalával.

► **Ábra44**

Ha a munkadarab oldala és a vágási pozíció közötti távolság (A) túl nagy az élvezető használatához, vagy ha a munkadarab oldala nem egyenes, akkor az élvezető nem használható. Ebben az esetben rögzítsen egy egyenes deszkát a munkadarabhoz és azt használja vezetőként a szélezőgép-alaplemezhez. Tolja előre a szerszámot a nyíl irányába.

► **Ábra45**

Az élvezető használata körív vágásához

Körív vágásához az élvezetőt az ábrákon látható módon szerelje össze. A vágható kör minimális és maximális sugara (a távolság a kör középpontja és a marófej középpontja között) a következő:

- Minimum: 70 mm
- Maximum: 221 mm

70 mm és 121 mm közötti sugarú körök vágásához.

► **Ábra46:** 1. Középponti furat

121 mm és 221 mm közötti sugarú körök vágásához.

► **Ábra47:** 1. Középponti furat

MEGJEGYZÉS: 172 mm és 186 mm közötti sugarú körök nem vágathatók ezzel a vezetővel.

Igazítsa az élvezető középponti furatát a vágni kívánt kör középpontjára. Üssön be egy kevesebb, mint 6 mm átmérőjű szeg a középponti furatba az élvezető rögzítéséhez. Forgassa a szerszámot a szeg körül az óramutató járásának megfelelő irányban.

► **Ábra48:** 1. Szeg 2. Középponti furat

A sablonvezető használata

Opcionális kiegészítők

A sablonvezető sablonminták ismételt kivágását teszi lehetővé egy sablon segítségével.

1. Lazítsa meg a talplemezen található csavarokat, majd távolítsa el a talplemezt a szélezőgép-alaplemezről.
2. Helyezze a sablonvezetőt az alaplemezre, majd a csavarok segítségével rögzítse a talplemezt.
▶ **Ábra49:** 1. Talplemez 2. Sablonvezető

3. Tegye a szerszámot a sablonra és tolja előre a szerszámot, a sablonvezetőt a sablon oldala mentén csúsztatva.
▶ **Ábra50**

MEGJEGYZÉS: A munkadarabra kerülő vágás mérete kis mértékben eltér a sablon méretétől. Az eltérés a szélező vágószerszám és a sablonvezető külső része közti távolság (X). A távolságot (X) a következő képlettel lehet meghatározni:

$Távolság (X) = (a \text{ sablonvezető külső átmérője} - \text{szélező vágószerszám átmérője}) / 2$

- ▶ **Ábra51:** 1. Szélező vágószerszám 2. Sablonvezető 3. Távolság (X) 4. A sablonvezető külső átmérője

A szélezővezető használata

Opcionális kiegészítők

A szélezővezető lehetővé teszi a bútorlapok ívelt szélének marását a vezetőgörgő mozgásával a munkadarab széle mentén.

▶ **Ábra52**

1. Lazítsa meg a szorítócsavart, szerelje fel a szélezővezetőt a szélezőgép-alaplemezre, majd húzza meg a szorítócsavart.

▶ **Ábra53:** 1. Szorítócsavar

2. Lazítsa meg a szorítócsavart, és állítsa be a távolságot a szélező vágószerszám és a szélezővezető között a beállítócsavar elforgatásával (1 mm fordulatonként). A kívánt távolságnál húzza meg a szorítócsavart (B) a szélezővezető rögzítéséhez.

▶ **Ábra54:** 1. Beállítócsavar 2. Szorítócsavar

3. Tolja a szerszámot úgy, hogy a vezetőgörgő a munkadarab oldala mentén haladjon.

▶ **Ábra55:** 1. Munkadarab 2. Marófej 3. Vezetőgörgő

A szerszám használata a dönthető alaplemezrel

A dönthető alaplemez praktikus használható életrészhez. Lazítsa meg a szárnyas csavarokat, döntse a szerszámot a kívánt szögbe, majd húzza meg a szárnyas csavarokat.

Rögzítsen egy egyenes deszkát a munkadarabhoz, és azt használja vezetőként a dönthető alaplemezhez. Tolja előre a szerszámot a nyíl irányába.

▶ **Ábra56:** 1. Szárnyas csavar

A dönthető talplemez használata a szélezőgép-alaplemezrel

Ha a szélezőgép-alaplemez négyzet alakú talplemezrel szeretné használni, szerelje le a talplemezt a dönthető alaplemezről, majd rögzítse a szélezőgép-alaplemezre.

- ▶ **Ábra57:** 1. Dönthető talplemez 2. Szélezőgép-talplemez

A szerszám használata a távtartó alaplemezrel

A távtartó alaplemez praktikus megoldás a szűk helyen, például sarokban történő munkavégzéshez.

▶ **Ábra58**

A szélezőgép-alaplemez használata a távtartó talplemezrel és markolattal

A távtartó talplemez a szélezőgép-alaplemezrel és egy markolatszerelénnel (opcionális tartozék) együtt is használható a nagyobb stabilitás érdekében.

1. Lazítsa meg a talplemezen található csavarokat, majd távolítsa el a talplemezt a távtartó alaplemezről.

▶ **Ábra59:** 1. Távtartó talplemez

2. Szélezőgép-talplemez

2. Rögzítse a távtartó talplemezt a szélezőgép-alaplemezhez a csavarok segítségével.

3. Rögzítse a markolatszerelényt és a markolatrudat a távtartó talplemezre a csavarok segítségével.

▶ **Ábra60:** 1. Markolatrúd 2. Markolatszerelény

A markolatrúd helyett a merülő alaplemezről leszerelt markolatgombot is felszerelheti a távtartó alaplemezre.

▶ **Ábra61:** 1. Csavar 2. Markolatgomb

A szerszám használata a merülő alaplemezrel

Mindkét kezével erősen tartsa a markolatokat a használat során. A szerszám működtetése ugyanúgy történik, mint a szélezőgép-alaplemez esetében.

Az élvezető használata

Opcionális kiegészítők

1. Szerelje az élvezetőt a vezetőtartóra (opcionális kiegészítő) a szárnyas anyával. Illesse a vezetőtartót a merülő alaplemezre található lyukakba, majd húzza meg a szárnyas csavarokat.

▶ **Ábra62:** 1. Szárnyas csavar 2. Vezetőtartó

3. Szárnyas anya 4. Élvezető

2. Lazítsa meg a szárnyas anyát az élvezetőn, majd állítsa be a távolságot a marófej és az élvezető között. A kívánt távolságnál húzza meg a szárnyas anyát.

▶ **Ábra63:** 1. Szárnyas anya

3. A szerszám működtetése ugyanúgy történik, mint a szélezőgép-alaplemez és az élvezető használata esetén.

▶ **Ábra64**

A sablonvezető használata

Opcionális kiegészítők

1. Lazítsa meg az alaplemezen található csavarokat, majd távolítsa el őket. Helyezze a sablonvezetőt az alaplemezre, majd húzza meg a csavarokat.

► **Ábra65:** 1. Csavar 2. Sablonvezető

2. A szerszám működtetése ugyanúgy történik, mint a szélezőgép-alaplemez és a sablonvezető használata esetén.

► **Ábra66**

A párhuzamvezető használata

A párhuzamvezető hatathos segítség az egyenes vágáshoz az élletérés vagy a hornyolás során. Állítsa be a marófejt és a párhuzamvezető közötti távolságot. A kívánt távolságnál húzza meg a szárnyas csavarokat a párhuzamvezető rögzítéséhez. Vágáskor tolja a szerszámot úgy, hogy a párhuzamvezető egy szintben legyen a munkadarab oldalával.

► **Ábra67**

Ha a munkadarab oldala és a vágási pozíció közötti távolság (A) túl nagy a párhuzamvezető használatához, vagy ha a munkadarab oldala nem egyenes, akkor a párhuzamvezető nem használható.

Ebben az esetben rögzítsen egy egyenes deszkát a munkadarabhoz és azt használja vezetőként a merülő alaplemezhez. Tolja előre a szerszámot a nyíl irányába.

► **Ábra68**

A markolatgomb lecserélése markolatrúdra

A markolatrúd merülő alaplemezre szereléséhez lazítsa meg a markolatgomb csavarját, távolítsa el a markolatgombot, majd a csavar meghúzásával rögzítse a markolatrudat.

► **Ábra69:** 1. Markolatgomb 2. Csavar 3. Markolatrúd

KARBANTARTÁS

⚠ VIGYÁZAT: Minden esetben ellenőrizze, hogy a szerszám ki van kapcsolva és az akkumulátor eltávolításra került mielőtt átvizsgálja a szerszámot vagy annak karbantartását végzi.

MEGJEGYZÉS: Soha ne használjon gázolajat, benzint, hígítót, alkoholt vagy hasonló anyagokat. Ezek elszineződést, alakvesztést vagy repedést okozhatnak.

A termék BIZTONSÁGÁNAK és MEGBÍZHATÓSÁGÁNAK fenntartása érdekében a javításokat és más karbantartásokat vagy beállításokat a Makita hivatalos vagy gyári szervizközpontjában kell elvégezni, mindig csak Makita cserealkatrészeket használva.

OPCIONÁLIS KIEGÉSZÍTŐK

⚠ VIGYÁZAT: Ezen kiegészítőket és tartozékokat javasoljuk a kézikönyvben ismertetett Makita szerszámhoz. Bármilyen más kiegészítő vagy tartozék használata a személyi sérülés kockázatával jár. A kiegészítőt vagy tartozékot csak rendeltetészerűen használja.

Ha bármilyen segítségre vagy további információkra van szüksége ezekkel a tartozékokkal kapcsolatban, keresse fel a helyi Makita Szervizközpontot.

- Egyenes és horonykiképző marófejek
- Él kiképző marófejek
- Marófejek rétegelt anyaghoz
- Élvezető szerelvény
- Szélezővezető szerelvény
- Szélezőgép-alaplemez szerelvény
- Dönthető alaplemez szerelvény
- Merülő alaplemez szerelvény
- Távtartó alaplemez szerelvény
- Markolatszerelvény
- Sablonvezető
- Befogópatron 6 mm
- Befogópatron 6,35 mm (1/4")
- Befogópatron 8 mm
- Befogópatron 9,53 mm (3/8")
- Villáskulcs 13
- Villáskulcs 22

MEGJEGYZÉS: A listán felsorolt néhány kiegészítő megtalálható az eszköz csomagolásában standard kiegészítőként. Ezek országonként eltérőek lehetnek.

Szélező vágószerszámok

Egyenes marófej

► **Ábra70**

	D	A	L1	L2
20	6	20	50	15
20E	1/4"			
8	8	8	60	25
8	6			
8E	1/4"		50	18
6	6	6	50	18
6E	1/4"			

Mértékegység: mm

„U” horonymaró fej

► **Ábra71**

	D	A	L1	L2	R
6	6	6	50	18	3
6E	1/4"				

Mértékegység: mm

„V” horonymaró fej

► Ábra72

D	A	L1	L2	θ
1/4"	20	50	15	90°

Mértékegység: mm

Fúróhegyes szintbemaró fej

► Ábra73

	D	A	L1	L2	L3
8	8	8	60	20	35
6	6	6		18	28
6E	1/4"				

Mértékegység: mm

Fúróhegyes kettős szintbemaró fej

► Ábra74

	D	A	L1	L2	L3	L4
8	8	8	80	95	20	25
6	6	6	70	40	12	14
6E	1/4"					

Mértékegység: mm

Gömblyítő fej

► Ábra75

	D	A1	A2	L1	L2	L3	R
8R	6	25	9	48	13	5	8
8RE	1/4"						
4R	6	20	8	45	10	4	4
4RE	1/4"						

Mértékegység: mm

Élletőrő marófej

► Ábra76

D	A	L1	L2	L3	θ
6	23	46	11	6	30°
6	20	50	13	5	45°
6	20	49	14	2	60°

Mértékegység: mm

Profilmaró fej

► Ábra77

D	A	L1	L2	R
6	20	43	8	4
6	25	48	13	8

Mértékegység: mm

Golyóscsapágyas szintbemaró fej

► Ábra78

D	A	L1	L2
6	10	50	20
1/4"			

Mértékegység: mm

Golyóscsapágyas gömblyítő fej

► Ábra79

D	A1	A2	L1	L2	L3	R
6	15	8	37	7	3,5	3
6	21		40	10		
1/4"						

Mértékegység: mm

Golyóscsapágyas élettőrő marófej

► Ábra80

D	A1	A2	L1	L2	θ
6	26	8	42	12	45°
1/4"					
6	20		41	11	60°

Mértékegység: mm

Golyóscsapágyas kerekítő fej

► Ábra81

D	A1	A2	A3	L1	L2	L3	R
6	20	12	8	40	10	5,5	4
6	26			42	12	4,5	7

Mértékegység: mm

Golyóscsapágyas profilmaró fej

► Ábra82

D	A1	A2	A3	A4	L1	L2	L3	R
6	20	18	12	8	40	10	5,5	3
6	26	22			42	12	5	5

Mértékegység: mm

Golyóscsapágyas multiprofilmaró fej

► Ábra83

D	A1	A2	L1	L2	L3	R1	R2
6	20	8	40	10	4,5	2,5	4,5
6	26		42	12		3	6

Mértékegység: mm

TECHNICKÉ ŠPECIFIKÁCIE

Model:	DRT50
Kapacita skľučovadla puzdra	6 mm, 8 mm, 1/4", alebo 3/8"
Otáčky naprázdno	10 000 – 30 000 min ⁻¹
Celková dĺžka	226 mm
Menovité napätie	Jednosmerný prúd 18 V
Štandardný akumulátor	BL1815N / BL1820 / BL1820B / BL1830 / BL1830B / BL1840 / BL1840B / BL1850 / BL1850B / BL1860B
Čistá hmotnosť	1,8 – 2,1 kg

- Vzhľadom k neustálemu výskumu a vývoju podliehajú technické údaje uvedené v tomto dokumente zmenám bez upozornenia.
- Technické špecifikácie a typ akumulátora sa môžu v rámci jednotlivých krajín líšiť.
- Hmotnosť sa môže líšiť v závislosti od nastavcov vrátane akumulátora. Najľahšia a najťažšia kombinácia v súlade s postupom EPTA 01/2014 je uvedená v tabuľke.

Určené použitie

Tento nástroj je určený na hranové frézovanie a profilovanie dreva, plastu a podobných materiálov.

Hluk

Typická hladina akustického tlaku záťaže A určená podľa štandardu EN60745:

Úroveň akustického tlaku (L_{pA}) : 78 dB (A)

Odchýlka (K): 3 dB (A)

VAROVANIE: Používajte ochranu sluchu.

Vibrácie

Celková hodnota vibrácií (trojosový vektorový súčet) určená podľa štandardu EN60745:

Režim činnosti: voľnobežné otáčanie

Emisie vibrácií (a_{h1}) : 2,5 m/s² alebo menej

Odchýlka (K): 1,5 m/s²

Režim činnosti: rezacie drážky v MDF

Emisie vibrácií (a_{h1}) : 4,5 m/s²

Odchýlka (K): 1,5 m/s²

POZNÁMKA: Deklarovaná hodnota emisií vibrácií bola meraná podľa štandardnej skúšobnej metódy a môže sa použiť na porovnanie jedného nástroja s druhým.

POZNÁMKA: Deklarovaná hodnota emisií vibrácií sa môže použiť aj na predbežné posúdenie vystavenia ich účinkom.

VAROVANIE: Emisie vibrácií počas skutočného používania elektrického nástroja sa môžu odlišovať od deklarovanej hodnoty emisií vibrácií, a to v závislosti od spôsobov používania náradia.

VAROVANIE: Nezabudnite označiť bezpečnostné opatrenia s cieľom chrániť obsluhu, a to tie, ktoré sa zakladajú na odhade vystavenia účinkom v rámci reálnych podmienok používania (berúc do úvahy všetky súčasti prevádzkového cyklu, ako sú doby, kedy je nástroj vypnutý a kedy beží bez záťaženia, ako dodatok k dobe zapnutia).

Vyhlasenie o zhode ES

Len pre krajiny Európy

Vyhlasenie o zhode ES sa nachádza v prílohe A tohto návodu na obsluhu.

BEZPEČNOSTNÉ VAROVANIA

Všeobecné bezpečnostné predpisy pre elektrické nástroje

VAROVANIE: Preštudujte si všetky bezpečnostné varovania, pokyny, vyobrazenia a technické špecifikácie určené pre tento elektrický nástroj. Pri nedodržaní všetkých nižšie uvedených pokynov môže dôjsť k úrazu elektrickým prúdom, požiaru alebo vážnemu zraneniu.

Všetky výstrahy a pokyny si odložte pre prípad potreby v budúcnosti.

Pojem „elektrický nástroj“ sa vo výstrahách vzťahuje na elektricky napájané elektrické nástroje (s káblom) alebo batériou napájané elektrické nástroje (bez kábla).

Bezpečnostné varovania pre akumulátorovú frézu

1. **Elektrické zariadenie pri práci držte za izolované úchopné povrchy, lebo diamantová rezačka sa môže dostať do kontaktu so skrytými vodičmi.** Prerezaním vodiča pod napätím môže prejsť elektrina do nechránených kovových častí elektrického náradia a zasiahnuť tak obsluhu elektrickým prúdom.

2. Pomocou svoriek alebo iným praktickým spôsobom zaistíte a pripevníte obrobok k stabilnému povrchu. Pri držaní obrobku rukou alebo pri opretí o telo nebude obrobok stabilný a môžete nad ním stratiť kontrolu.
3. Pri dlhšej prevádzke používajte chrániče sluchu.
4. S frézovacími bitmi zaobchádzajte so zvýšenou opatrnosťou.
5. Pred prácou dôkladne skontrolujte, či orezávací bit nie je prasknutý alebo inak poškodený. Prasknutý alebo poškodený frézovací bit okamžite vymeňte.
6. Nerežte kince. Pred prácou skontrolujte, či na obrobku nie sú kince, a prípadné kince odstráňte.
7. Nástroj držte pevne.
8. Nepribližujte ruky k otáčajúcim sa časťami.
9. Pred zapnutím spínača skontrolujte, či sa orezávací bit nedotýka obrobku.
10. Skôr než použijete nástroj na obrobku, nechajte ho chvíľu bežať. Sledujte, či nedochádza k vibráciám alebo hádzaniu, ktoré by mohli naznačovať nesprávne namontovaný bit.
11. Dávajte pozor na smer otáčania orezávacieho bitu a smer prívodu.
12. Nenechávajte nástroj v prevádzke bez dozoru. Pracujte ním, len keď ho držíte v rukách.
13. Skôr než vyberiete nástroj z obrobku, vždy vypnite nástroj a počkajte, kým sa orezávací bit úplne nezastaví.
14. Nedotýkajte sa orezávacieho bitu hneď po úkone; môže byť extrémne horúci a môže vám spáliť pokožku.
15. Zabráňte náhodnému znečisteniu základne nástroja riedidlom, benzínom, olejom a pod. Môžu vzniknúť praskliny v základni nástroja.
16. Používajte frézovacie bity so správnym priemerom čapu a vhodné pre otáčky nástroja.
17. Niektoré materiály obsahujú chemikálie, ktoré môžu byť jedovaté. Dávajte pozor, aby ste ich nedýchali ani sa ich nedotýkali. Prečítajte si bezpečnostné informácie dodávateľa materiálu.
18. Vždy používajte správnu protiprachovú masku/respirátor pre konkrétny materiál a použitie.
3. Ak sa doba prevádzky príliš skráti, ihneď prerušte prácu. Môže nastať riziko prehriatia, možných popálením či dokonca explózie.
4. V prípade zasiahnutia očí okamžite ich vypláchnite čistou vodou a okamžite vyhľadajte lekársku pomoc. Môže dôjsť k strate zraku.
5. Akumulátor neskratujte:
 - (1) Nedotýkajte sa konektorov žiadnym vodivým materiálom.
 - (2) Neskladujte akumulátor v obale s inými kovovými predmetmi, napríklad kľúčmi, mincami a pod.
 - (3) Akumulátor nevystavujte vode ani dažďu. Skrat akumulátora môže spôsobiť veľký tok prúdu, prehriatie, možné popáleniny či dokonca poruchu.
6. Neskladujte nástroj ani akumulátor na miestach s teplotou presahujúcou 50 °C (122 °F).
7. Akumulátor nespáľujte, ani keď je vážne poškodený alebo úplne opotrebovaný. Akumulátor môže v ohni explodovať.
8. Dávajte pozor, aby akumulátor nespadol, a nevystavujte ho nárazom.
9. Nepoužívajte poškodený akumulátor.
10. Lítium-iónové akumulátory, ktoré sú súčasťou náradia, podliehajú požiadavkám legislatívy o nebezpečnom tovare.

V prípade obchodnej prepravy, napr. dodanie tretími stranami či špeditériami, sa musia dodržiavať špeciálne požiadavky na zabalenie a označenie. Pred prípravou položky na odoslanie sa vyžaduje konzultácia s odborníkom na nebezpečný materiál. Taktiež treba dodržiavať potenciálne podrobnejšie predpisy príslušnej krajiny. Prelepte alebo zakryte otvorené kontakty a zabaľte akumulátor tak, aby sa v baliku nemohol voľne pohybovať.
11. Akumulátor likvidujte v súlade s miestnymi nariadeniami.

TIETO POKYNY USCHOVAJTE.

⚠️POZOR: Používajte len originálne akumulátory od spoločnosti Makita. Používanie batérií, ktoré nie sú od spoločnosti Makita, alebo upravených batérií môže spôsobiť výbuch batérie a následný požiar, zranenie osôb alebo poškodeniu majetku. Následkom bude aj zrušenie záruky od spoločnosti Makita na nástroj a nabíjačku od spoločnosti Makita.

TIETO POKYNY USCHOVAJTE.

⚠️VAROVANIE: NIKDY nepripustíte, aby seba-vedomie a dobrá znalosť výrobku (získané opakovaným používaním) nahradili presné dodržiavanie bezpečnostných pravidiel pri používaní náradia. **NESPRÁVNE POUŽÍVANIE** alebo nedodržiavanie bezpečnostných zásad uvedených v tomto návode môže viesť k vážnemu zraneniu.

Dôležité bezpečnostné a prevádzkové pokyny pre akumulátor

1. Pred použitím akumulátora si prečítajte všetky pokyny a výstražné označenia na (1) nabíjačke akumulátorov, (2) akumulátora a (3) produkte používajúcom akumulátor.
2. Akumulátor nerozoberajte.

Rady na udržanie maximálnej životnosti akumulátora

1. Akumulátor nabíjate ešte predtým, ako sa úplne vybije. Vždy prerušte prácu s nástrojom a nabíjate akumulátor, keď spozorujete nižší výkon nástroja.
2. Nikdy nenabíjate plne nabitý akumulátor. Prebíjanie skracuje životnosť akumulátora.
3. Akumulátor nabíjajte pri izbovej teplote 10 °C – 40 °C (50 °F – 104 °F). Pred nabíjaním nechajte horúci akumulátor vychladnúť.
4. Lítium-iónový akumulátor nabíjate, ak ste ho nepoužívali dlhšie ako šesť mesiacov.

OPIS FUNKCIÍ

▲POZOR: Pred úpravou alebo kontrolou funkčnosti nástroja vždy skontrolujte, či je nástroj vypnutý a akumulátor je vybratý.

Inštalácia alebo demontáž akumulátora

▲POZOR: Pred inštaláciou alebo vybratím akumulátora nástroj vždy vypnite.

▲POZOR: Pri inštalovaní a vyberaní akumulátora pevne uchopíte nástroj a akumulátor. Ak nástroj a akumulátor pevne neuchopíte, môže to mať za následok vyšmyknutie z vašich rúk s dôsledkom poškodenia nástroja a akumulátora, ako aj osobných poranení.

- **Obr.1:** 1. Červený indikátor 2. Tlačidlo 3. Akumulátor

Ak chcete vybrať akumulátor, vysuňte ho z nástroja, pričom posuňte tlačidlo na prednej strane akumulátora.

Akumulátor vložte tak, že jazýček akumulátora zarovnáte s drážkou v kryte a zasuniete ho na miesto. Zatlačte ho úplne, kým zakliknutím nezapadne na miesto. Ak vidíte červený indikátor na hornej strane tlačidla, nie je správne zapadnutý.

▲POZOR: Akumulátor vždy nainštalujte úplne, až kým nie je vidieť červený indikátor. V opačnom prípade môže náhodne vypadnúť z nástroja a ublížiť vám alebo osobám v okolí.

























▲POZOR: Pri inštalovaní akumulátora nepoužívajte silu. Ak sa akumulátor nedá zasunúť ľahko, nevkladáte ho správne.

Indikácia zvyšnej kapacity akumulátora

Len na akumulátory s indikátorom

- **Obr.2:** 1. Indikátory 2. Tlačidlo kontroly

Stlačením tlačidla kontroly na akumulátore zobrazíte zostávajúcu kapacitu akumulátora. Indikátory sa na niekoľko sekúnd rozsvietia.

Indikátory			Zostávajúca kapacita
 Svieti	 Nesvieti	 Bliká	
			75 % až 100 %
			50 % až 75 %
			25 % až 50 %
			0 % až 25 %
			Akumulátor nabíje.
 ↑ ↓ 	 ↑ ↓ 	 ↑ ↓ 	Akumulátor je možno chybný.

POZNÁMKA: V závislosti od podmienok používania a v závislosti od okolitej teploty sa môže zobrazenie mierne odlišovať od skutočnej kapacity.

Systém na ochranu nástroja/akumulátora

Nástroj je vybavený systémom ochrany nástroja/akumulátora. Tento systém automaticky vypne napájanie motora s cieľom predĺžiť životnosť nástroja a akumulátora. Nástroj sa počas prevádzky automaticky zastaví v prípade, ak sa nástroj alebo akumulátor dostanú do jedného z nasledujúcich stavov:

Ochrana proti preťaženiu

Keď sa akumulátor používa spôsobom, ktorý spôsobuje odber neštandardne vysokého prúdu, nástroj sa bez upozornenia automaticky vypne. V tejto situácii vypnite nástroj a ukončíte prácu, ktorá spôsobuje jeho preťažovanie. Potom nástroj znova zapnite.

Ochrana pred prehrievaním

Ak je nástroj prehriaty, automaticky sa zastaví a začne blikať svetlo. V takomto prípade nechajte nástroj/akumulátor pred opätovným spustením vychladnúť.

Ochrana pred nadmerným vybitím

Keď je kapacita akumulátora nedostatočná, nástroj sa automaticky vypne. V takomto prípade vyberte akumulátor z nástroja a nabíjajte ho.

Zapínanie

Ak chcete nástroj zapnúť, stlačte poistný spínač. Nástroj sa prepne do pohotovostného režimu. Ak chcete nástroj zapnúť, stlačte v pohotovostnom režime tlačidlo štart/stop. Nástroj zastavíte opätovným stlačením tlačidla štart/stop. Nástroj sa prepne do pohotovostného režimu. Ak chcete nástroj vypnúť, stlačte v pohotovostnom režime poistný spínač.

- **Obr.3:** 1. Poistný spínač 2. Tlačidlo štart/stop

POZNÁMKA: Ak v pohotovostnom režime nástroj ponecháte 10 sekúnd bez akejkoľvek činnosti, nástroj sa automaticky vypne a lampa zhasne.

POZNÁMKA: Nástroj môžete aj zastaviť a vypnúť stlačením poistného spínača, keď je nástroj v činnosti.

Zapnutie prednej lampy

▲POZOR: Nedívejte sa priamo do svetla ani jeho zdroja.

Ak chcete lampu zapnúť, stlačte poistný spínač. Ak chcete lampu vypnúť, stlačte znova poistný spínač.

UPOZORNENIE: Pri prehrievaní nástroja lampa bliká. Pred opätovným použitím nechajte nástroj plne vychladnúť.

POZNÁMKA: Suchou tkaninou utrite znečistené šošovky lampy. Dávajte pozor, aby sa šošovky lampy nepoškriabali. Mohla by sa znížiť intenzita osvetlenia.

Otočný ovládač otáčok

Otáčky nástroja je možné zmeniť otáčaním otočného ovládača otáčok. Nižšie uvedená tabuľka uvádza číslo na otočnom ovládači a príslušné otáčky.

► **Obr.4:** 1. Otočný ovládač otáčok

Číslo	Otáčky
1	10 000 min ⁻¹
2	15 000 min ⁻¹
3	20 000 min ⁻¹
4	25 000 min ⁻¹
5	30 000 min ⁻¹

UPOZORNENIE: Ak je nástroj v nepretržitej prevádzke pri nízkych otáčkach po dlhý čas, motor sa môže preťažiť, následkom čoho bude porucha nástroja.

UPOZORNENIE: Pri zmene nastavenia otočného ovládača otáčok z "5" na "1", otáčajte ovládačom proti smeru hodinových ručičiek. Ovládač neotáčajte v smere hodinových ručičiek silou.

Elektronické funkcie

Nástroj je kvôli jednoduchšej obsluhu vybavený elektronickými funkciami.

- Regulácia konštantných otáčok
Funkcia ovládania otáčok zaisťuje stále otáčky bez ohľadu na záťaž.
- Pozvoľný rozbeh
Funkcia pozvoľného rozbehu minimalizuje štartovací otras a umožňuje hladké spustenie nástroja.

Nastavenie hĺbky rezu

Ak chcete nastaviť hĺbku rezu, uvoľnite poistnú páčku a posuňte základňu nástroja podľa potreby nahor alebo nadol otáčaním nastavovacej skrutky. Po nastavení poistnú páčku pevne utiahnite.

► **Obr.5:** 1. Poistná páčka 2. Nastavovacia skrutka

UPOZORNENIE: Ak nástroj nie je zaistený ani po utiahnutí poistnej páčky, utiahnite šesťhrannú maticu a následne utiahnite poistnú páčku.

► **Obr.6:** 1. Šesťhranná matica

Nastavenie hĺbky rezu pomocou zapichovacej základne

Voliteľné príslušenstvo

1. Nástroj umiestnite na rovný povrch.
2. Vyberte skrutku zarážky otáčaním pätky so zarážkami.
► **Obr.7:** 1. Skrutka zarážky 2. Pätká zarážky
3. Uvoľnite upevňovaciu maticu kolíka zarážky, potom vytiahnite kolík zarážky za súčasného stlačenia tlačidla posuvu.
► **Obr.8:** 1. Kolík zarážky 2. Upevňovacia matica 3. Tlačidlo posuvu

4. Tlačte nástroj dole, až kým sa hrot orezávacieho bitu nedotkne plochého povrchu a potom otočte upevňovaciu páčku na zaistenie nástroja.

► **Obr.9:** 1. Upevňovacia páčka 2. Orezávací bit

5. Stlačte tlačidlo posuvu a súčasne tlačte nadol kolík zarážky, kým sa nedotkne skrutky zarážky.

► **Obr.10:** 1. Kolík zarážky 2. Skrutka zarážky 3. Tlačidlo posuvu

6. Posuňte ukazovateľ hĺbky tak, aby na stupnici ukazovateľ ukazoval na „0“.

► **Obr.11:** 1. Ukazovateľ hĺbky

7. Nastavte hĺbku rezu vytiahnutím kolíka zarážky za súčasného stlačenia tlačidla posuvu.

► **Obr.12:** 1. Kolík zarážky 2. Tlačidlo posuvu

8. Ak chcete hĺbku rezu jemne nastaviť, otočte stupnicu na kolíku zarážky tak, aby ukazovala „0“.

► **Obr.13:** 1. Nastavovacie koliesko

9. Otáčajte hlavou kolíka zarážky a nastavte požadovanú hĺbku. Ak chcete hĺbku zväčšiť, otočte hlavičkou proti smeru hodinových ručičiek. Ak chcete hĺbku zmenšiť, otočte hlavičkou v smere hodinových ručičiek.

► **Obr.14:** 1. Hlavička kolíka zarážky

10. Uťahnite upevňovaciu maticu kolíka zarážky.

► **Obr.15:** 1. Upevňovacia matica

11. Uvoľnite upevňovaciu páčku.

► **Obr.16:** 1. Upevňovacia páčka

ZOSTAVENIE

⚠APOZOR: Pred vykonaním akejkoľvek práce na nástroji vždy skontrolujte, či je nástroj vypnutý a akumulátor je vybratý.

Montáž alebo demontáž orezávacieho bitu

UPOZORNENIE: Neutahujte puzdrovú maticu bez vloženia bitu. Puzdrový kužel by sa mohol zlomiť.

Orezávací bit vložte úplne do puzdrového kužela. Stlačte poistku hriadeľa a utiahnite maticu puzdra pomocou kľúča, alebo ju utiahnite pevne pomocou dvoch kľúčov. Ak chcete bit vybrať, vykonajte postup montáže v opačnom poradí.

► **Obr.17:** 1. Poistka hriadeľa 2. Uvoľniť 3. Utiahnúť 4. Kľúč 5. Matica puzdra

► **Obr.18:** 1. Kľúč 2. Uvoľniť 3. Utiahnúť 4. Matica puzdra

POZNÁMKA: Poistka hriadeľa sa pri inštalácii orezávacieho bitu po utiahnutí matice puzdra nemusí vrátiť do svojej pôvodnej polohy. Poistka hriadeľa sa vráti do pôvodnej polohy, keď nástroj zapnete.

► **Obr.19:** 1. Poistka hriadeľa

Inštalácia alebo demontáž základne orezávača

1. Odistíte poistnú páčku základne orezávača, potom vložte nástroj do základne orezávača a zarovnajete drážku na nástroji s výčnelkom na základni orezávača.

► **Obr.20:** 1. Poistná páčka

2. Zaisťujete poistnú páčku.

3. Pripevníte prachovú hubicu k základni orezávača a potom utiahnite skrutku s ryhovanou hlavou.

► **Obr.21:** 1. Prachová hubica 2. Skrutka s ryhovanou hlavou

► **Obr.22**

Ak chcete základňu odmontovať, vykonajte postup montáže v opačnom poradí.

⚠ POZOR: Pri použití tohto nástroja v spojení so základňou orezávača, vždy na základňu orezávača nainštalujte prachovú hubicu.

Inštalácia alebo demontáž sklopnej základne

Voliteľné príslušenstvo

1. Odistíte poistnú páčku sklopnej základne, potom vložte nástroj do sklopnej základne a zarovnajete drážku na nástroji s výčnelkom na sklopnej základni.

► **Obr.23:** 1. Poistná páčka

2. Zaisťujete poistnú páčku.

Ak chcete základňu odmontovať, vykonajte postup montáže v opačnom poradí.

Inštalácia alebo demontáž rohovej základne

Voliteľné príslušenstvo

1. Stlačíte poistku hriadeľa a potom uvoľníte maticu puzdra.

► **Obr.24:** 1. Poistka hriadeľa 2. Matica puzdra 3. Kľúč

2. Demontujete puzdrovú maticu a puzdrový kužel.

► **Obr.25:** 1. Matica puzdra 2. Kužel puzdra

3. Kladku nainštalujete na nástroj stlačením poistky hriadeľa a pomocou kľúča kladku pevne utiahnete.

► **Obr.26:** 1. Kľúč 2. Kladka 3. Poistka hriadeľa

4. Uvoľníte skrutky na základovej doske a potom základovú dosku demontujete.

► **Obr.27:** 1. Základová doska

5. Odistíte poistnú páčku rohovej základne a potom nástroj vložte do rohovej základne.

► **Obr.28:** 1. Poistná páčka

6. Remeň namontujete na kladku tak, že ho manuálne otočíte.

► **Obr.29:** 1. Kladka 2. Remeň

7. Zaisťujete poistnú páčku.

► **Obr.30:** 1. Poistná páčka

8. Základovú dosku nasadíte utiahnutím skrutiek.

► **Obr.31:** 1. Základová doska

9. Vložte puzdrový kužel a orezávací bit do rohovej základne a potom utiahnite puzdrovú maticu.

► **Obr.32:** 1. Orezávací bit 2. Matica puzdra 3. Kužel puzdra

10. Vložte šesťhranný imbusový kľúč do otvoru rohovej základne a potom utiahnite puzdrovú maticu pomocou kľúča.

► **Obr.33:** 1. Matica puzdra 2. Kľúč 3. Šesťhranný imbusový kľúč

Ak chcete základňu odmontovať, vykonajte postup montáže v opačnom poradí.

POZNÁMKA: Remeň môžete tiež namontovať na kladku bez demontáže základovej dosky podľa obrázka.

► **Obr.34:** 1. Kladka 2. Remeň

Inštalácia alebo demontáž zapichovacej základne

Voliteľné príslušenstvo

1. Odistíte poistnú páčku zapichovacej základne, potom vložte nástroj do zapichovacej základne a zarovnajete drážku na nástroji s výčnelkom na zapichovacej základni.

► **Obr.35:** 1. Poistná páčka

2. Zaisťujete poistnú páčku.

Ak chcete základňu odmontovať, vykonajte postup montáže v opačnom poradí.

Inštalácia alebo demontáž paralelného pravítka na zapichovacej základni

Voliteľné príslušenstvo

Vložte vodiace lišty do otvorov na zapichovacej základni a potom utiahnite krídlové skrutky. Ak chcete pravítko odmontovať, vykonajte postup montáže v opačnom poradí.

► **Obr.36:** 1. Krídlová skrutka 2. Vodiaca lišta

Inštalácia alebo demontáž prachovej hubice na zapichovacej základni

Prachovú hubicu vložte do zapichovacej základne tak, aby výčnelok na prachovej hubici zapadol do zárezu v zapichovacej základni a následne utiahnite skrutku s ryhovanou hlavou na prachovej hubici. Ak chcete hubicu odmontovať, vykonajte postup montáže v opačnom poradí.

► **Obr.37:** 1. Výčnelok 2. Prachová hubica 3. Skrutka s ryhovanou hlavou

► **Obr.38**

PREVÁDZKA

Používanie nástroja so základňou orezávača

Položte základňu nástroja na obrobok, tak, aby sa ho orezávací bit nedotýkal. Potom nástroj zapnite a počkajte, až kým bit nedosiahne plnú rýchlosť. Nástroj posuňte dopredu nad povrch obrobku. Základňu nástroja držte pri presúvaní nástroja vodorovne. Pri obrábaní hrany sa uistite, aby bol povrch obrobku na ľavej strane orezávacieho bitu v smere posuvu.

► **Obr.39**

POZNÁMKA: Pred obrábaním skutočného obrobku sa odporúča urobiť vzorový rez. Správna rýchlosť posuvu závisí od veľkosti orezávacieho bitu, druhu obrobku a hĺbky rezu. Pohybovanie nástrojom dopredu príliš rýchlo môže zapríčiniť nízku kvalitu rezu alebo sa môže poškodiť ostrie alebo motor. Pohybovanie nástrojom dopredu príliš pomaly môže spáliť a zničiť povrch rezu.

Keď budete používať pätku orezávača, priame vodidlo alebo vodidlo orezávača, vždy ich musíte namontovať na pravú stranu v smere posuvu. Toto vám pomôže udržať ho v jednej rovine so stranou obrobku.

► **Obr.40:** 1. Orezávací bit 2. Obrobok 3. Priame vodidlo

UPOZORNENIE: Keďže nadmerné rezanie môže zapríčiniť preťaženie motora alebo ťažkosti s ovládaním náradia, hĺbka pri rezaní drážok nesmie byť viac ako 3 mm na jeden záber. Ak chcete vyrezať drážky hlbšie ako 3 mm, urobte niekoľko prerezaní s postupne hlbšími nastaveniami bitu.

Používanie priameho vodidla

Voľiteľné príslušenstvo

1. Priame vodidlo zmontujte pomocou skrutky a krídlovej matice.

► **Obr.41:** 1. Skrutka 2. Krídlová matica

2. Priame vodidlo namontujte na základňu orezávača pomocou uťahovacej skrutky.

► **Obr.42:** 1. Uťahovacia skrutka

3. Uvoľnite krídlovú skrutku na priamom vodidle a nastavte vzdialenosť medzi bitom a priamym vodidlom. V požadovanej vzdialenosti utiahnite krídlovú maticu.

► **Obr.43:** 1. Krídlová matica

4. Pohybné nástrojom s priamym vodidlom pozdĺž strany obrobku.

► **Obr.44**

Ak je vzdialenosť (A) medzi stranou obrobku a rezacou polohou príliš široká pre priame vodidlo alebo ak strana obrobku nie je rovná, priame vodidlo nemožno použiť. V takomto prípade pevne upevnite rovnú dosku k obrobku a použite ju ako vodidlo, o ktoré opriete základňu orezávača. Posúvajte nástroj v smere šípky.

► **Obr.45**

Používanie priameho vodidla na kruhovú prácu

Na kruhovú prácu namontujte priame vodidlo podľa nákreсу. Minimálny a maximálny polomer vyrezávaných kruhov (vzdialenosť medzi stredom kruhu a stredom bitu) sú nasledovné:

- Minimum: 70 mm
- Maximum: 221 mm

Pre vyrezávanie kruhov s polomerom medzi 70 mm a 121 mm.

► **Obr.46:** 1. Stredný otvor

Pre vyrezávanie kruhov s polomerom medzi 121 mm a 221 mm.

► **Obr.47:** 1. Stredný otvor

POZNÁMKA: Pomocou tohto vodidla nie je možné vyrezávať kruhy s polomerom 172 mm až 186 mm.

Zarovnajzte stredný otvor v priamom vodidle so stredom vyrezávaného kruhu. Do stredného otvoru zatlačte kliniec s priemerom menším ako 6 mm na zaistenie priameho vodidla. Otáčajte nástroj okolo klinca v smere pohybu hodinových ručičiek.

► **Obr.48:** 1. Kliniec 2. Stredný otvor

Používanie vodidla vzorkovnice

Voľiteľné príslušenstvo

Vodidlo vzorkovnice umožňuje opakované vyrezávanie pomocou vzorov vzorkovnice, podľa vzorkovnice.

1. Uvoľnite skrutky na základovej doske a potom základovú dosku demontujte od základne orezávača.

2. Vodidlo vzorkovnice položte na základňu a potom pripevnite základovú dosku utiahnutím skrutiek.

► **Obr.49:** 1. Základová doska 2. Vodidlo vzorkovnice

3. Umiestnite nástroj na vzorkovnicu a pohybné nástrojom s vodidlom vzorkovnice pozdĺž strany vzorkovnice.

► **Obr.50**

POZNÁMKA: Skutočná veľkosť rezu na obrobku je trochu odlišná od vzorkovnice. Rozdielom je vzdialenosť (X) medzi orezávacím bitom a vonkajšou stranou vodidla vzorkovnice. Vzdialenosť (X) je možné vypočítať podľa nasledujúcej rovnice:

Vzdialenosť (X) = (vonkajší priemer vodidla vzorkovnice - priemer orezávacieho bitu) / 2

► **Obr.51:** 1. Orezávací bit 2. Vodidlo vzorkovnice 3. Vzdialenosť (X) 4. Vonkajší priemer vodidla vzorkovnice

Používanie vodidla orezávača

Voľiteľné príslušenstvo

Vodidlo orezávača umožňuje orezávanie zakrivených bokov, ako napr. dyhy pre nábytok posúvaním valca vodidla pozdĺž bočnej strany obrobku.

► **Obr.52**

1. Uvoľnite uťahovaciu skrutku, potom nainštalujte vodidlo orezávača na základňu orezávača a potom uťahovaciu skrutku znova utiahnite.

► **Obr.53:** 1. Uťahovacia skrutka

2. Uvoľnite uťahovaciu skrutku a nastavte vzdialenosť medzi orezávacím bitom a vodidlom orezávača otočením nastavovacej skrutky (1 mm na otočku). V požadovanej vzdialenosti utiahnite uťahovaciu skrutku, čím zaistíte vodidlo orezávača.

► **Obr.54:** 1. Nastavovacia skrutka 2. Uťahovacia skrutka

3. Pohybujte nástrojom s valcom vodidla pozdĺž strany obrobku.

► **Obr.55:** 1. Obrobok 2. Bit 3. Valec vodidla

Používanie nástroja so sklopnou základňou

Sklopná základňa je vhodná na skosenie. Uvoľnite skrutky s krídelkami, potom nástroj naklopte v požadovanom uhle a potom skrutky s krídelkami utiahnite.

Pevne upevnite rovnú dosku k obrobku a použite ju ako vodiaci prvok vo vzťahu k sklopnej základni. Posúvajte nástroj v smere šípky.

► **Obr.56:** 1. Skrutka s krídelkami

Používanie sklopnej základovej dosky so základňou orezávača

Ak chcete používať základňu orezávača s pravouhlou základovou doskou, odmontujte základovú dosku od sklopnej základne a potom ju nasadte na základňu orezávača.

► **Obr.57:** 1. Sklopná základová doska 2. Základová doska orezávača

Používanie nástroja s rohovou základňou

Rohová základňa je vhodná na prácu v stiesnenom priestore, ako napríklad v rohu.

► **Obr.58**

Používanie základne orezávača s platňou rohovej základne a so svorkou

Platňa rohovej základne sa môže taktiež používať v spojení so základňou orezávača a s nastavcom držadla (voliteľné príslušenstvo) pre dosiahnutie väčšej stability.

1. Uvoľnite skrutky na základovej doske a potom základovú dosku demontujte od rohovej základne.

► **Obr.59:** 1. Platňa rohovej základne 2. Základová doska orezávača

2. Nasadte platňu rohovej základne na základňu orezávača utiahnutím skrutiek.

3. Nasadte nástavec držadla a držadlo vodiaceho typu na platňu rohovej základne utiahnutím skrutiek.

► **Obr.60:** 1. Držadlo vodiaceho typu 2. Nástavec držadla

Po odmontovaní držadla gombíkového typu od zapichovacej základne je možné ho nainštalovať na rohovú základňu namiesto držadla vodiaceho typu.

► **Obr.61:** 1. Skrutka 2. Držadlo gombíkového typu

Používanie nástroja so zapichovacou základňou

Pri práci vždy držte držadlá pevne oboma rukami. Nástroj obsluhujte rovnako ako so základňou orezávača.

Používanie priameho vodidla

Voliteľné príslušenstvo

1. Nainštalujte priame vodidlo na držiak vodidla pomocou krídlovej matice. Vložte držiak vodiča do otvorov na zapichovacej základni a potom utiahnite krídlové skrutky.

► **Obr.62:** 1. Krídlová skrutka 2. Držiak vodidla 3. Krídlová matica 4. Priame vodidlo

2. Uvoľnite krídlovú skrutku na priamom vodidle a nastavte vzdialenosť medzi bitom a priamym vodidlom. V požadovanej vzdialenosti utiahnite krídlovú maticu.

► **Obr.63:** 1. Krídlová matica

3. Nástroj obsluhujte rovnako ako s priamym vodidlom pre základňu orezávača.

► **Obr.64**

Používanie vodidla vzorkovnice

Voliteľné príslušenstvo

1. Uvoľnite skrutky na základni a odmontujte ich. Vodidlo vzorkovnice umiestnite na základňu a potom skrutky utiahnite.

► **Obr.65:** 1. Skrutka 2. Vodidlo vzorkovnice

2. Nástroj obsluhujte rovnako ako s vodidlom vzorkovnice pre základňu orezávača.

► **Obr.66**

Používanie paralelného pravítka

Paralelné pravítko sa účinne využíva na priame rezy pri frézovaní hrán a pri drážkovaní. Nastavte vzdialenosť medzi bitom a paralelným pravítkom. V požadovanej vzdialenosti utiahnite krídlové skrutky, aby ste zaistili paralelné pravítko v tejto polohe. Počas rezania pohybujte s nástrojom s paralelným pravítkom pozdĺž strany obrobku.

► **Obr.67**

Ak je vzdialenosť (A) medzi stranou obrobku a rezacou polohou príliš široká pre paralelné pravítko alebo ak strana obrobku nie je rovná, paralelné pravítko nemožno použiť.

V takomto prípade pevne upevnite rovnú dosku k obrobku a použite ju ako vodidlo, o ktoré opriete zapichovaciu základňu. Posúvajte nástroj v smere šípky.

► **Obr.68**

Výmena držadla gombíkového typu za držadlo vodiaceho typu

Na inštaláciu držadla vodiaceho typu na zapichovaciu základňu uvoľnite skrutku držadla gombíkového typu, potom demontujte držadlo gombíkového typu a potom nainštalujte držadlo vodiaceho typu jej utiahnutím.

► **Obr.69:** 1. Držadlo gombíkového typu 2. Skrutka 3. Držadlo vodiaceho typu

ÚDRŽBA

▲POZOR: Pred vykonaním kontroly alebo údržby vždy skontrolujte, či je nástroj vypnutý a akumulátor je vybratý.

UPOZORNENIE: Nepoužívajte benzín, riedidlo, alkohol ani podobné látky. Mohlo by to spôsobiť zmenu farby, deformácie alebo praskliny.

Ak chcete udržať BEZPEČNOSŤ a BEZPORUCHOVOSŤ výrobku, prenechajte opravy, údržbu a nastavenie na autorizované alebo továrenské servisné centrá Makita, ktoré používajú len náhradné diely značky Makita.

VOLITEĽNÉ PRÍSLUŠENSTVO

▲POZOR: Pre váš nástroj Makita, opísaný v tomto návode, doporučujeme používať toto príslušenstvo a nástavce. Pri použití iného príslušenstva či nástavcov môže hrozit' nebezpečenstvo zranenia osôb. Príslušenstvo a nástavce sa môžu používať len na účely pre ne stanovené.

Ak potrebujete bližšie informácie týkajúce sa tohoto príslušenstva, obráťte sa na vaše miestne servisné stredisko firmy Makita.

- Rovné a drážkovacie bity
- Hranovacie bity
- Bity na orezávanie laminátu
- Montážna zostava priameho vodidla
- Montážna zostava vodidla orezávača
- Montážna zostava základne orezávača
- Montážna zostava sklopnej základne
- Montážna zostava zapichovacej základne
- Montážna zostava rohovej základne
- Nástavec držadla
- Vodidlo vzorkovnice
- Kužel puzdra 6 mm
- Kužel puzdra 6,35 mm (1/4")
- Kužel puzdra 8 mm
- Kužel puzdra 9,53 mm (3/8")
- Kľúč 13
- Kľúč 22

POZNÁMKA: Niektoré položky zo zoznamu môžu byť súčasťou balenia nástrojov vo forme štandardného príslušenstva. Rozsah týchto položiek môže byť v každej krajine odlišný.

Frézovacie bity

Rovný bit

► Obr.70

	D	A	L1	L2
20	6	20	50	15
20E	1/4"			
8	8	8	60	25
8	6		50	18
8E	1/4"			
6	6	6	50	18
6E	1/4"			

Jednotka: mm

Bit na vytváranie „U“-drážok

► Obr.71

	D	A	L1	L2	R
6	6	6	50	18	3
6E	1/4"				

Jednotka: mm

Bit na vytváranie „V“-drážok

► Obr.72

D	A	L1	L2	θ
1/4"	20	50	15	90°

Jednotka: mm

Zarovnávací bit s vrtákovým hrotom

► Obr.73

	D	A	L1	L2	L3
8	8	8	60	20	35
6	6			18	28
6E	1/4"				

Jednotka: mm

Dvojitý zarovnávací bit s vrtákovým hrotom

► Obr.74

	D	A	L1	L2	L3	L4
8	8	8	80	95	20	25
6	6					
6E	1/4"					

Jednotka: mm

Bit na zaobľovanie rohov

► Obr.75

	D	A1	A2	L1	L2	L3	R
8R	6	25	9	48	13	5	8
8RE	1/4"						
4R	6	20	8	45	10	4	4
4RE	1/4"						

Jednotka: mm

Bit na zošíkmenie**► Obr.76**

D	A	L1	L2	L3	θ
6	23	46	11	6	30°
6	20	50	13	5	45°
6	20	49	14	2	60°

Jednotka: mm

Obrubovací bit na rohové lišty**► Obr.77**

D	A	L1	L2	R
6	20	43	8	4
6	25	48	13	8

Jednotka: mm

Zarovnávací bit s guľôčkovým ložiskom**► Obr.78**

D	A	L1	L2
6	10	50	20
1/4"			

Jednotka: mm

Bit na zaobľovanie rohov s guľôčkovým ložiskom**► Obr.79**

D	A1	A2	L1	L2	L3	R
6	15	8	37	7	3,5	3
6	21		40	10		6
1/4"						

Jednotka: mm

Bit na zošíkmenie s guľôčkovým ložiskom**► Obr.80**

D	A1	A2	L1	L2	θ
6	26	8	42	12	45°
1/4"					
6	20		41	11	60°

Jednotka: mm

Obrubovací bit s guľôčkovým ložiskom**► Obr.81**

D	A1	A2	A3	L1	L2	L3	R
6	20	12	8	40	10	5,5	4
6	26			42	12	4,5	7

Jednotka: mm

Obrubovací bit na rohové lišty s guľôčkovým ložiskom**► Obr.82**

D	A1	A2	A3	A4	L1	L2	L3	R
6	20	18	12	8	40	10	5,5	3
6	26	22			42	12	5	5

Jednotka: mm

Bit na rímsky lomený oblúk s guľôčkovým ložiskom**► Obr.83**

D	A1	A2	L1	L2	L3	R1	R2
6	20	8	40	10	4,5	2,5	4,5
6	26		42	12		3	6

Jednotka: mm

SPECIFIKACE

Model:	DRT50
Rozměr kleštinového sklíčidla	6 mm, 8 mm, 1/4" nebo 3/8"
Otáčky bez zatížení	10 000 – 30 000 min ⁻¹
Celková délka	226 mm
Jmenovité napětí	18 V DC
Standardní akumulátor	BL1815N / BL1820 / BL1820B / BL1830 / BL1830B / BL1840 / BL1840B / BL1850 / BL1850B / BL1860B
Čistá hmotnost	1,8–2,1 kg

- Vzhledem k neustálému výzkumu a vývoji zde uvedené technické údaje podléhají změnám bez upozornění.
- Technické údaje a akumulátor se mohou v různých zemích lišit.
- Hmotnost se může lišit v závislosti na nástavcích a přídatných zařízeních, včetně akumulátoru. Nejlehčí a nejtěžší kombinace, dle EPTA-Procedure 01/2014, jsou uvedeny v tabulce níže.

Účel použití

Nářadí je určeno k ořezávání a profilování dřeva, plastů a podobných materiálů.

Hlučnost

Typická vážená hladina hluku (A) určená podle normy EN60745:

Hladina akustického tlaku (L_{pA}): 78 dB(A)

Nejistota (K): 3 dB(A)

VAROVÁNÍ: Použijte ochranu sluchu.

Vibrace

Celková hodnota vibrací (vektorový součet tří os) určená podle normy EN60745:

Pracovní režim: otáčky bez zatížení

Emise vibrací (a_h): 2,5 m/s² nebo méně

Nejistota (K): 1,5 m/s²

Pracovní režim: řezání drážek do desek MDF

Emise vibrací (a_h): 4,5 m/s²

Nejistota (K): 1,5 m/s²

POZNÁMKA: Hodnota deklarovaných emisí vibrací byla změněna standardní zkušební metodou a dá se použít k porovnání nářadí mezi sebou.

POZNÁMKA: Hodnotu deklarovaných emisí vibrací lze také použít k předběžnému posouzení míry expozice vibracím.

VAROVÁNÍ: Emise vibrací při používání elektrického nářadí ve skutečnosti se mohou od hodnoty deklarovaných emisí vibrací lišit v závislosti na způsobech použití nářadí.

VAROVÁNÍ: Nezapomeňte stanovit bezpečnostní opatření na ochranu obsluhy podle odhadu expozice ve skutečných podmínkách použití. (Vezměte přitom v úvahu všechny části provozního cyklu, tj. kromě doby zátěže například doby, kdy je nářadí vypnuté a kdy běží naprázdno.)

Prohlášení ES o shodě

Pouze pro evropské země

Prohlášení ES o shodě je obsaženo v Příloze A tohoto návodu k obsluze.

BEZPEČNOSTNÍ VÝSTRAHY

Obecná bezpečnostní upozornění k elektrickému nářadí

VAROVÁNÍ: Přečtěte si všechny bezpečnostní výstrahy i pokyny a prohlédněte si ilustrace a specifikace dodané k tomuto elektrickému nářadí. Nedodržení všech níže uvedených pokynů může vést k úrazu elektrickým proudem, požáru či vážnému zranění.

Všechna upozornění a pokyny si uschovejte pro budoucí potřebu.

Pojem „elektrické nářadí“ v upozorněních označuje elektrické nářadí, které se zapojuje do elektrické sítě, nebo elektrické nářadí využívající akumulátory.

Bezpečnostní varování k akumulátorovému zastríhovači

1. **Elektrické nářadí držte za izolované části držadel, neboť řezný nástroj může narazit na skryté elektrické vedení.** Zasažení vodiče pod napětím může přenést proud do nechráněných kovových částí nářadí a obsluha může utrpět úraz elektrickým proudem.
2. **Uchyťte a podepřete obrobek na stabilní podložce pomocí svorek nebo jiným praktickým způsobem.** Budete-li obrobek držet rukama nebo zapřený vlastním tělem, bude nestabilní a může zapříčinit ztrátu kontroly.

3. Při delším používání používejte ochranu sluchu.
4. S ořezávacími nástroji manipulujte velice opatrně.
5. Před zahájením provozu pečlivě zkontrolujte ořezávací nástroj, zda nevykazuje známky trhlin nebo poškození. Popraskaný nebo poškozený nástroj je nutno okamžitě vyměnit.
6. Neřežte hřebíky. Před zahájením práce zkontrolujte obrobek a odstraňte z něj všechny případné hřebíky.
7. Držte nářadí pevně.
8. Nepřibližujte ruce k otáčejícím se částem.
9. Před zapnutím spínače se přesvědčte, zda se ořezávací nástroj nedotýká obrobku.
10. Před použitím nářadí na zpracovávaném obrobku jej nechejte na chvíli běžet. Sledujte, zda nevznikají vibrace nebo víklání, které by mohly signalizovat špatně vložený nástroj.
11. Dávejte pozor na směr otáčení ořezávacího nástroje a směr přívodu materiálu.
12. Nenechávejte nářadí běžet bez dozoru. S nářadím pracujte, jen když je držíte v rukou.
13. Před vytažením nářadí z obrobku vždy nářadí vypněte a počkejte, dokud se ořezávací nástroj úplně nezastaví.
14. Bezprostředně po ukončení práce se nedotýkejte ořezávacího nástroje, protože může dosahovat velmi vysokých teplot a popálit pokožku.
15. Dávejte pozor, abyste základnu nářadí nezcistilí ředidlem, benzínem, olejem nebo podobnou látkou. Tyto látky mohou způsobit trhliny v základně nářadí.
16. Používejte ořezávací nástroje se správným průměrem dřívku, jež jsou vhodné pro dané otáčky nářadí.
17. Některé materiály obsahují chemikálie, které mohou být jedovaté. Dávejte pozor, abyste nevedchovali prach nebo nedocházelo ke kontaktu s kůží. Dodržujte bezpečnostní pokyny dodavatele materiálu.
18. Vždy používejte protiprachovou masku / respirátor odpovídající použití a materiálu, se kterým pracujete.
3. Pokud se příliš zkrátí provozní doba akumulátoru, přerušte okamžitě práci. V opačném případě existuje riziko přehřívání, popálení nebo dokonce výbuchu.
4. Budou-li vaše oči zasaženy elektrolytem, vypláchněte je čistou vodou a okamžitě vyhledejte lékařskou pomoc. Může dojít ke ztrátě zraku.
5. Akumulátor nezkratujte:
 - (1) Nedotýkejte se svorek žádným vodivým materiálem.
 - (2) Neskladujte akumulátor v nádobě s jinými kovovými předměty, jako jsou hřebíky, mince, apod.
 - (3) Nevystavuje akumulátor vodě a dešti. Zkrat akumulátoru může způsobit velký průtok proudu, přehřátí, možné popálení a dokonce i poruchu.
6. Neskladujte nářadí a akumulátor na místech, kde může teplota překročit 50 °C (122 °F).
7. Nespalujte akumulátor, ani když je vážně poškozen nebo úplně opotřeben. Akumulátor může v ohni vybuchnout.
8. Dávejte pozor, abyste akumulátor neupustili ani s ním nenaráželi.
9. Nepoužívejte poškozené akumulátory.
10. Obsazené lithium-iontové akumulátory podléhají právním požadavkům na nebezpečné zboží.

V případě komerční přepravy například externími dopravci je třeba dodržet zvláštní požadavky na balení a značení.

Pro přípravu zboží k přepravě je nutná konzultace s odborníkem na nebezpečný materiál. Dodržujte také případné podrobnější národní předpisy. Odkryté kontakty přelepte izolační páskou či jinak zakryjte a akumulátory zabalte tak, aby se v balení nemohly pohybovat.
11. Při likvidaci akumulátoru postupujte podle místních předpisů.

TYTO POKYNY USCHOVEJTE.

⚠️ UPOZORNĚNÍ: Používejte pouze originální akumulátory Makita. Používání neoriginálních nebo upravených akumulátorů může způsobit explozi akumulátoru a následný požár, zranění a jiné poškození. Zanáká tím také záruka společnosti Makita na nářadí a nabíječku Makita.

TYTO POKYNY USCHOVEJTE.

⚠️ VAROVÁNÍ: NEDOVOLTE, aby pohodlnost nebo pocit znalosti výrobku (získaný na základě předchozího použití) vedl k zanedbání dodržování bezpečnostních pravidel platných pro tento výrobek. NESPRÁVNÉ POUŽÍVÁNÍ či nedodržení bezpečnostních pravidel uvedených v tomto návodu k obsluze může způsobit vážné zranění.

Důležitá bezpečnostní upozornění pro akumulátor

1. Před použitím akumulátoru si přečtěte všechny pokyny a varovné symboly na (1) nabíječe, (2) akumulátoru a (3) výrobku využívaném akumulátor.
2. Akumulátor nerozebírejte.
1. Akumulátor nabíjte dříve, než dojde k jeho úplnému vybití. Pokud si povšimnete sníženého výkonu nářadí, vždy jej zastavte a dobijte akumulátor.
2. Nikdy nenabíjejte úplně nabitý akumulátor. Přebíjení zkracuje životnost akumulátoru.
3. Akumulátor dobíjejte při pokojové teplotě od 10 °C do 40 °C (50 °F až 104 °F). Před nabíjením nechejte horký akumulátor zchladnout.
4. Pokud se akumulátor delší dobu nepoužívá (déle než šest měsíců), je nutno jej dobít.

POPIS FUNKCÍ

⚠ UPOZORNĚNÍ: Před nastavováním nářadí nebo kontrolou jeho funkce se vždy přesvědčte, zda je vypnuté a je vyjmutý akumulátor.

Nasazení a sejmutí akumulátoru

⚠ UPOZORNĚNÍ: Před nasazením či sejmutím akumulátoru nářadí vždy vypněte.

⚠ UPOZORNĚNÍ: Při nasazování či snímání akumulátoru pevně držte nářadí i akumulátor. V opačném případě vám může nářadí nebo akumulátor vyklouznout z rukou a mohlo by dojít k jejich poškození či ke zranění.

- **Obr.1:** 1. Červený indikátor 2. Tlačítko 3. Akumulátor

Chcete-li akumulátor sejmout, vysuňte jej se současným přesunutím tlačítka na přední straně akumulátoru.

Při nasazování akumulátoru vyrovnejte jazýček na bloku akumulátoru s drážkou v krytu a zasuňte akumulátor na místo. Akumulátor zasuňte na doraz, až zacvakne na své místo. Není-li tlačítko zcela zajištěno, uvidíte na jeho horní straně červený indikátor.

⚠ UPOZORNĚNÍ: Akumulátor zasunujte vždy zcela tak, aby nebyl červený indikátor vidět. Jinak by mohl akumulátor ze zařízení vypadnout a způsobit zranění obsluze či přihlížejícím osobám.









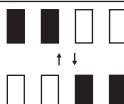
⚠ UPOZORNĚNÍ: Akumulátor nenasazujte násilím. Nelze-li akumulátor zasunout snadno, nevkládáte jej správně.

Indikace zbývající kapacity akumulátoru

Pouze pro akumulátory s diodovým ukazatelem

- **Obr.2:** 1. Kontrolky 2. Tlačítko kontroly

Stisknutím tlačítka kontroly na akumulátoru zjistíte zbývající kapacitu akumulátoru. Kontrolky indikátoru se na několik sekund rozsvítí.

Kontrolky			Zbývající kapacita
 Svítí	 Nesvítí	 Bliká	
			75 % až 100 %
			50 % až 75 %
			25 % až 50 %
			0 % až 25 %
			Nabijte akumulátor.
			Došlo pravděpodobně k poruše akumulátoru.

POZNÁMKA: Kapacita udávaná indikátorem se může mírně lišit od skutečné kapacity v závislosti na podmínkách používání a teplotě prostředí.

Systém ochrany nářadí a akumulátoru

Nářadí je vybaveno systémem ochrany nářadí a akumulátoru. Tento systém automaticky přeruší napájení motoru, aby se prodloužila životnost nářadí a akumulátoru. Budou-li nářadí nebo akumulátor vystaveny některé z níže uvedených podmínek, nářadí se během provozu automaticky vypne:

Ochrana proti přetížení

Pokud se s akumulátorem pracuje způsobem vyvolávajícím mimořádně vysoký odběr proudu, nářadí se automaticky vypne a bez jakékoli signalizace vypne. V takové situaci nářadí vypněte a ukončete činnost, při níž došlo k přetížení nářadí. Potom nářadí zapnete a obnovte činnost.

Ochrana proti přehřátí

Při přehřátí nářadí či akumulátoru se nářadí automaticky vypne a světlo začne blikat. V takovém případě nechte nářadí a akumulátor před opětovným zapnutím vychladnout.

Ochrana proti přílišnému vybití

V případě nedostačující kapacity akumulátoru se nářadí automaticky vypne. V takovém případě vyjměte akumulátor z nářadí a nabijte jej.

Používání spouště

Jestliže chcete nářadí zapnout, stiskněte tlačítko zamčení/odemčení. Nářadí se přepne do pohotovostního režimu. Nářadí nastartujete stisknutím tlačítka start/stop v pohotovostním režimu. Jestliže chcete nářadí vypnout, stiskněte tlačítko start/stop znovu. Nářadí se přepne do pohotovostního režimu. Nářadí vypnete stisknutím tlačítka start/stop v pohotovostním režimu.

- **Obr.3:** 1. Tlačítko zamčení/odemčení 2. Tlačítko start/stop

POZNÁMKA: Ponecháte-li nářadí 10 sekund v pohotovostním režimu bez provedení jakékoli operace, nářadí se automaticky vypne a světlo zhasne.

POZNÁMKA: Nářadí lze také zastavit a vypnout stisknutím tlačítka zamčení/odemčení během operace.

Rozsvícení předního světla

⚠ UPOZORNĚNÍ: Nedívejte přímo do světla nebo jeho zdroje.

Jestliže chcete zapnout světlo, stiskněte tlačítko zamčení/odemčení. Jestliže chcete světlo vypnout, znovu stiskněte tlačítko zamčení/odemčení.

POZOR: Při přehřátí nářadí bude světlo blikat. Před obnovením práce nechte nářadí zcela vychladnout.

POZNÁMKA: K očištění nečistot ze skla světla použijte suchý hadřík. Dbejte, abyste sklo světla nepoškrábali. Mohlo by dojít ke snížení svítivosti.

Otočný volič otáček

Rychlost otáčení lze regulovat přesunutím otočného voliče otáček. Niže uvedená tabulka ukazuje číslo na voliči a odpovídající rychlost otáček.

► **Obr.4:** 1. Otočný volič otáček

Hodnota	Otáčky
1	10 000 min ⁻¹
2	15 000 min ⁻¹
3	20 000 min ⁻¹
4	25 000 min ⁻¹
5	30 000 min ⁻¹

POZOR: Je-li nářadí provozováno dlouhou dobu nepřetržitě při nízké rychlosti, dojde k přetížení motoru a následně k selhání nářadí.

POZOR: Při změně voliče otáček z 5 na 1 jej otáčejte proti směru hodinových ručiček. Neotáčejte voličem ve směru hodinových ručiček násilím.

Elektronické funkce

Nářadí je vybaveno elektronickými funkcemi usnadňujícími provozování.

- Regulátor konstantních otáček
Regulátor konstantních otáček zajišťuje stálou rychlost otáčení bez ohledu na úroveň zatížení.
- Měkké spuštění
Funkce měkkého spuštění omezuje na minimum ráz při spuštění a umožňuje hladké spuštění nářadí.

Nastavení hloubky řezu

Chcete-li upravit hloubku řezu, otevřete zajišťovací páčku a otáčením stavěcího šroubu základnu nářadí přesuňte nahoru nebo dolů. Po nastavení páčku pevně uzavřete.

► **Obr.5:** 1. Zajišťovací páčka 2. Stavěcí šroub

POZOR: Jestliže se nářadí ani uzavřením zajišťovací páčky nezajistí, dotáhněte šestihrannou matici a pak znovu uzavřete zajišťovací páčku.

► **Obr.6:** 1. Šestihranná matice

Nastavení hloubky řezu pomocí zapichovací základny

Volitelné příslušenství

1. Nářadí položte na rovný povrch.
2. Otáčením základny dorazu vyberte dorazový šroub.
► **Obr.7:** 1. Dorazový šroub 2. Základna dorazu
3. Povolte pojistnou matici dorazové tyče a poté při stisknutí tlačítka posunu dorazovou tyč vytáhněte.
► **Obr.8:** 1. Dorazová tyč 2. Pojistná matice 3. Tlačítko posunu

4. Tlačte nářadí dolů, dokud se špička ořezávacího nástroje nedotkne plochého povrchu a poté otočte pojistnou páčku a nářadí zajistěte.

► **Obr.9:** 1. Pojistná páčka 2. Ořezávací nástroj

5. Tlačte dolů dorazovou tyč při stisknutí tlačítka posunu, dokud se nedotkne dorazového šroubu.

► **Obr.10:** 1. Dorazová tyč 2. Dorazový šroub 3. Tlačítko posunu

6. Posuňte ukazatel hloubky do polohy, kde bude ukazovat hodnotu 0.

► **Obr.11:** 1. Ukazatel hloubky

7. Upravte hloubku řezu vytahováním dorazové tyče při stisknutí tlačítka posunu.

► **Obr.12:** 1. Dorazová tyč 2. Tlačítko posunu

8. Přesnou úpravu hloubky řezu můžete provést otočením otočného kolečka na dorazové tyči na hodnotu 0.

► **Obr.13:** 1. Otočné kolečko

9. Otáčením vršku dorazové tyče získáte požadovanou hloubku. Otáčením proti směru hodinových ručiček hloubku zvětšujete. Otáčením po směru hodinových ručiček hloubku zmenšujete.

► **Obr.14:** 1. Vršek dorazové tyče

10. Povolte pojistnou matici dorazové tyče.

► **Obr.15:** 1. Pojistná matice

11. Uvolněte pojistnou páčku.

► **Obr.16:** 1. Pojistná páčka

SESTAVENÍ

⚠ UPOZORNĚNÍ: Před prováděním jakýchkoli prací na nářadí se vždy přesvědčte, zda je vypnuté a je vyjmutý akumulátor.

Instalace a demontáž ořezávacího nástroje

POZOR: Nedotahujte matici kleštiny bez vloženého pracovního nástroje. Kužel kleštiny může prasknout.

Vložte ořezávací nástroj úplně do kužele kleštiny. Stiskněte zámek hřídele a dotáhněte matici kleštiny pomocí klíče nebo ji pevně dotáhněte dvěma klíči. Chcete-li pracovní nástroj demontovat, použijte obrácený postup instalace.

► **Obr.17:** 1. Zámek hřídele 2. Povolit 3. Utažení 4. Klíč 5. Matice kleštiny

► **Obr.18:** 1. Klíč 2. Povolit 3. Utažení 4. Matice kleštiny

POZNÁMKA: Pokud při montáži ořezávacího nástroje utáhnete matici kleštiny, zámek hřídele se nemusí vrátit do původní pozice. Zámek hřídele se vrátí do původní pozice, když nastartujete nářadí.

► **Obr.19:** 1. Zámek hřídele

Montáž a demontáž základny frézky

1. Otevřete zajišťovací páčku základny frézky, poté vložte nářadí do základny frézky tak, aby byla drážka na nářadí zarovnaná s výstupkem na základně frézky.

► **Obr.20:** 1. Zajišťovací páčka

2. Uzavřete blokovací páčku.

3. Připevněte k základně frézky hubici na piliny a poté dotáhněte křídlový šroub.

► **Obr.21:** 1. Hubice na piliny 2. Křídlový šroub

► **Obr.22**

Při vyjímání základny použijte opačný postup montáže základny.

⚠ UPOZORNĚNÍ: Při používání nářadí se základnou frézky na ni vždy namontujte prachovou hubici.

Montáž a demontáž naklápěcí základny

Volitelné příslušenství

1. Otevřete zajišťovací páčku naklápěcí základny, poté vložte nářadí do naklápěcí základny tak, aby byla drážka na nářadí zarovnaná s výstupkem na naklápěcí základně.

► **Obr.23:** 1. Zajišťovací páčka

2. Uzavřete blokovací páčku.

Při vyjímání základny použijte opačný postup montáže základny.

Montáž a demontáž přesazené základny

Volitelné příslušenství

1. Zatlačte zámek hřídele a poté povolte matici kleštiny.

► **Obr.24:** 1. Zámek hřídele 2. Matice kleštiny 3. Klíč

2. Sejměte matici kleštiny a kužel kleštiny.

► **Obr.25:** 1. Matice kleštiny 2. Kužel kleštiny

3. Po stisknutí aretace hřídele nasadte na nářadí řemenici a dotáhněte ji klíčem.

► **Obr.26:** 1. Klíč 2. Řemenice 3. Zámek hřídele

4. Povolte šrouby na základní desce a odstraňte ji.

► **Obr.27:** 1. Základní deska

5. Otevřete zajišťovací páčku přesazené základny a poté do ní vložte nářadí.

► **Obr.28:** 1. Zajišťovací páčka

6. Nasadte opasek na řemenici ručním otáčením opasku.

► **Obr.29:** 1. Řemenice 2. Opasek

7. Uzavřete blokovací páčku.

► **Obr.30:** 1. Zajišťovací páčka

8. Připevněte základní desku utažením šroubů.

► **Obr.31:** 1. Základní deska

9. Vložte kužel kleštiny a ořezávací nástroj do přesazené základny a dotáhněte matici kleštiny.

► **Obr.32:** 1. Ořezávací nástroj 2. Matice kleštiny 3. Kužel kleštiny

10. Zasuňte šestihranný klíč do otvoru přesazené základny a poté dotáhněte matici kleštiny pomocí klíče.

► **Obr.33:** 1. Matice kleštiny 2. Klíč 3. Šestihranný klíč

Při vyjímání základny použijte opačný postup montáže základny.

POZNÁMKA: Opasek můžete na řemenici nasadit také bez vyjímání základní desky podle obrázku.

► **Obr.34:** 1. Řemenice 2. Opasek

Montáž a demontáž zapichovací základny

Volitelné příslušenství

1. Otevřete zajišťovací páčku zapichovací základny, poté plně vložte nářadí do zapichovací základny tak, aby byla drážka na nářadí zarovnaná s výstupkem na zapichovací základně.

► **Obr.35:** 1. Zajišťovací páčka

2. Uzavřete blokovací páčku.

Při vyjímání základny použijte opačný postup montáže základny.

Montáž a demontáž paralelního pravítka na zapichovací základnu

Volitelné příslušenství

Vložte vodící lišty do otvorů zapichovací základny a dotáhněte křídlové šrouby. Při vyjímání pravítka použijte opačný postup jeho montáže.

► **Obr.36:** 1. Křídlový šroub 2. Vodící tyč

Montáž a demontáž hubice na piliny na zapichovací základnu

Vložte hubici na piliny do zapichovací základny tak, aby výstupek hubice na piliny dosedl do drážky v zapichovací základně a poté utáhněte křídlový šroub na hubici na piliny. Při vyjímání hubice použijte opačný postup její montáže.

► **Obr.37:** 1. Výstupek 2. Hubice na piliny 3. Křídlový šroub

► **Obr.38**

PRÁCE S NÁŘADÍM

Používání nářadí se základnou frézky

Ustavte základnu nářadí na obrobek, aniž by došlo ke kontaktu ořezávacího nástroje s obrobkem. Nářadí zapněte a počkejte, dokud nástroj nedosáhne plných otáček. Posuňte nástroj dopředu po povrchu obrobku. Při pohybu nástrojem udržujte základnu nářadí rovně. Při řezání hrany vždy udržujte povrch obrobku nalevo od ořezávacího nástroje ve směru posunu.

► **Obr.39**

POZNÁMKA: Před zahájením řezání konkrétního obrobku je doporučeno provést zkušební řez. Správná rychlost posunu závisí na rozměru ořezávacího nástroje, druhu obrobku a hloubce řezu. Budete-li nářadí posunovat příliš rychle, může být kvalita řezu nízká nebo může dojít k poškození pracovního nástroje či motoru. Při příliš pomalém posouvání nářadí může dojít ke spálení a znehodnocení povrchu řezu.

Při použití patky, přímého vodítka nebo vodítka ořezávání dbějte, aby bylo nainstalováno na pravé straně ve směru přísunu. Vodítko tak zůstane zarovnáno se stranou obrobku.

► **Obr.40:** 1. Ořezávací nástroj 2. Obrobek 3. Přímé vodítko

POZOR: Vzhledem k tomu, že příliš intenzivní řezání může vést k přetížení motoru nebo obtížím s udržení nářadí pod kontrolou, neměla by hloubka řezu při jednotlivém průchodu frézování drážek přesáhnout 3 mm. Chcete-li řezat drážky s hloubkou překračující 3 mm, použijte několik průchodů a postupně zvětšujte hloubku řezu.

Používání přímého vodítka

Volitelné příslušenství

1. Namontujte přímé vodítko pomocí šroubu a křídlové matice.

► **Obr.41:** 1. Šroub 2. Křídlová matice

2. Připevněte přímé vodítko k základně frézky pomocí upínacího šroubu.

► **Obr.42:** 1. Upínací šroub

3. Povolte křídlovou matici na přímém vodítku a upravte vzdálenost mezi pracovním nástrojem a přímým vodítkem. Po dosažení požadované vzdálenosti křídlovou matici dotáhněte.

► **Obr.43:** 1. Křídlová matice

4. Posunujte nářadí s přímým vodítkem zároveň se stranou obrobku.

► **Obr.44**

Je-li vzdálenost (A) mezi bokem obrobku a polohou řezání příliš velká pro použití přímého vodítka, nebo pokud není bok obrobku rovný, nelze použít přímé vodítko.

V takovém případě k obrobku pevně přichyťte rovnou desku a použijte ji jako vodítko základny frézky. Nářadí posunujte ve směru šípky.

► **Obr.45**

Používání přímého vodítka pro kruhové řezy

Pro provádění kruhových řezů sestavte přímé vodítko podle obrázků. Nejmenší a největší poloměr řezaných kruhů (vzdálenost mezi středem kruhu a středem nástroje) je následující:

- Minimální rozměr: 70 mm
- Maximální rozměr: 221 mm

Řezání kruhů o poloměru v rozmezí od 70 mm do 121 mm.

► **Obr.46:** 1. Středový otvor

Řezání kruhů o poloměru v rozmezí od 121 mm do 221 mm.

► **Obr.47:** 1. Středový otvor

POZNÁMKA: Pomocí tohoto vodítka nelze řezat kruhy s poloměrem od 172 mm do 186 mm.

Vyrovnejte středový otvor v přímém vodítku se středem vyřezávaného kruhu. Uchyťte přímé vodítko zatlučením hřebíku o průměru menším než 6 mm do středového otvoru. Otáčejte nářadím okolo hřebíku ve směru hodinových ručiček.

► **Obr.48:** 1. Hřebík 2. Středový otvor

Používání vodící šablony

Volitelné příslušenství

Vodící šablona umožňuje provádění opakovaných řezů podle vzorů šablony.

1. Povolte šrouby na základní desce a poté ji sejmete ze základny frézky.

2. Umístěte vodící šablону na základnu a poté připevněte základní desku dotažením šroubů.

► **Obr.49:** 1. Základní deska 2. Vodící šablona

3. Umístěte nářadí na šablónu a přesunujte nářadí tak, aby se vodítko šablony posunovalo podél boku šablony.

► **Obr.50**

POZNÁMKA: Skutečná velikost řezu na obrobku se mírně liší od šablony. Rozdílem je vzdálenost (X) mezi ořezávacím nástrojem a vnější stranou vodítka šablony. Vzdálenost (X) lze vypočítat pomocí následujícího vzorce:

$$\text{Vzdálenost (X)} = (\text{vnější průměr vodítka šablony} - \text{průměr ořezávacího nástroje}) / 2$$

► **Obr.51:** 1. Ořezávací nástroj 2. Vodící šablona

3. Vzdálenost (X) 4. Vnější průměr vodící šablony

Používání vodítka ořezávání

Volitelné příslušenství

Vodítko ořezávání umožňuje ořezávání zakřivených stran, jako jsou nábytkové dýhy, pohybem vodícího válečku podél strany obrobku.

► **Obr.52**

1. Povolte upínací šroub, poté namontujte vodítko ořezávání na základnu frézky a poté dotáhněte upínací šroub.

► **Obr.53:** 1. Upínací šroub

2. Povolte upínací šroub a otáčením seřizovacího šroubu upravte vzdálenost mezi ořezávacím nástrojem a vodítkem ořezávání (1 mm na otáčku). Po dosažení požadované vzdálenosti zajistěte vodítko ořezávání dotažením upínacího šroubu.

► **Obr.54:** 1. Stavěcí šroub 2. Upínací šroub

3. Posunujte nářadí tak, aby se vodící váleček posunoval po boku obrobku.

► **Obr.55:** 1. Obrobek 2. Vrták 3. Vodící váleček

Používání nářadí s naklápěcí základnou

Naklápěcí základna je vhodná pro úkosování. Povolte křídlové šrouby, nakloňte nářadí do požadovaného úhlu a poté křídlové šrouby dotáhněte.

K obrobku pevně přichyťte rovnou desku a použijte ji jako vodítko naklápěcí základny. Nářadí posunujte ve směru šipky.

► **Obr.56:** 1. Křídlový šroub

Používání desky naklápěcí základny se základnou frézkou

Chcete-li použít základnu frécky se čtvercovou deskou základny, sejměte desku základny z naklápěcí základny a poté ji připevněte k základně frécky.

► **Obr.57:** 1. Deska naklápěcí základny 2. Deska základny frécky

Používání nářadí s přesazenou základnou

Přesazená základna se hodí pro práce v těsných místech, například v rozích.

► **Obr.58**

Používání základny frécky s deskou přesazené základny a držadlem

Přesazenou základnu lze k zajištění větší stability také použít se základnou frécky a úchytem držadla (volitelné příslušenství).

1. Povolte šrouby na základní desce a poté ji sejměte z přesazené základny.

► **Obr.59:** 1. Deska přesazené základny 2. Deska základny frécky

2. Připevněte desku přesazené základny k základně frécky dotažením šroubů.

3. Připevněte úchyt držadla a držadlo tyčového typu k přesazené základně dotažením šroubů.

► **Obr.60:** 1. Držadlo tyčového typu 2. Úchyt držadla

Na přesazenou základnu je místo držadla tyčového typu možné namontovat držadlo knoflíkového typu odstraněné ze zapichovací základny.

► **Obr.61:** 1. Šroub 2. Držadlo knoflíkového typu

Používání nářadí se zapichovací základnou

Při práci držte držadla vždy pevně oběma rukama. Nářadí používejte stejně jako základnu frécky.

Používání přímého vodítka

Volitelné příslušenství

1. Přímé vodítko přichyťte na držák vodítka utažením křídlové matice. Držák vodítka vložte do otvorů zapichovací základny a dotáhněte křídlové šrouby.

► **Obr.62:** 1. Křídlový šroub 2. Držák vodítka 3. Křídlová matice 4. Přímé vodítko

2. Povolte křídlovou matici na přímém vodítku a upravte vzdálenost mezi pracovním nástrojem a přímým vodítkem. Po dosažení požadované vzdálenosti křídlovou matici dotáhněte.

► **Obr.63:** 1. Křídlová matice

3. Nářadí používejte stejně jako přímé vodítko pro základnu frécky.

► **Obr.64**

Používání vodící šablony

Volitelné příslušenství

1. Povolte šrouby na základně a odstraňte je. Položte vodící šablonu na základnu a dotáhněte šrouby.

► **Obr.65:** 1. Šroub 2. Vodící šablona

2. Nářadí používejte stejně jako vodící šablonu pro základnu frécky.

► **Obr.66**

Používání paralelního pravítka

Paralelní pravítko je efektivní pomůckou pro provádění přímých řezů při srážení hran nebo drážkování. Upravte vzdálenost mezi pracovním nářadím a paralelním pravítkem. Paralelní pravítko zajistíte v požadované vzdálenosti na místě dotažením křídlových šroubů. Při řezání posunujte nářadí s paralelním pravítkem zároveň se stranou obrobku.

► **Obr.67**

Je-li vzdálenost (A) mezi bokem obrobku a polohou řezání příliš velká pro použití paralelního pravítka, nebo pokud není bok obrobku rovný, nelze použít paralelní pravítko. V takovém případě k obrobku pevně přichyťte rovnou desku a použijte ji jako vodítko zapichovací základny. Nářadí posunujte ve směru šipky.

► **Obr.68**

Změna držadla knoflíkového typu na držadlo tyčového typu

Chcete-li namontovat držadla tyčového typu na zapichovací základnu, povolte šroub držadla knoflíkového typu, sejměte držadlo a poté namontujte držadla tyčového typu dotažením šroubu.

► **Obr.69:** 1. Držadlo knoflíkového typu 2. Šroub 3. Držadlo tyčového typu

ÚDRŽBA

⚠ UPOZORNĚNÍ: Před zahájením kontroly nebo údržby nářadí se vždy ujistěte, zda je vypnuté a je vyjmut akumulátor.

POZOR: Nikdy nepoužívejte benzín, benzen, ředidlo, alkohol či podobné prostředky. Mohlo by tak dojít ke změnám barvy, deformacím či vzniku prasklin.

K zachování BEZPEČNOSTI a SPOLEHLIVOSTI výrobku musí být opravy a veškerá další údržba či seřizování prováděny autorizovanými nebo továrními servisními středisky společnosti Makita s využitím náhradních dílů Makita.

VOLITELNÉ PŘÍSLUŠENSTVÍ

⚠ UPOZORNĚNÍ: Pro nářadí Makita popsané v tomto návodu doporučujeme používat následující příslušenství a nástavce. Při použití jiného příslušenství či nástavců může hrozit nebezpečí zranění osob. Příslušenství lze používat pouze pro stanovené účely.

Potřebujete-li bližší informace ohledně tohoto příslušenství, obraťte se na místní servisní středisko společnosti Makita.

- Přímé a drážkovací pracovní nástroje
- Nástroje pro formování hran
- Řezací nástroje na laminát
- Sestava přímého vodička
- Sestava vodička ořezávání
- Sestava základny frézky
- Sestava naklápěcí základny
- Sestava zapichovací základny
- Sestava přesazené základny
- Úchyt držadla
- Vodicí šablona
- Kužel kleštiny 6 mm
- Kužel kleštiny 6,35 mm (1/4")
- Kužel kleštiny 8 mm
- Kužel kleštiny 9,53 mm (3/8")
- Klíč 13
- Klíč 22

POZNÁMKA: Některé položky seznamu mohou být k nářadí přibaleny jako standardní příslušenství. Přibalené příslušenství se může v různých zemích lišit.

Ořezávací nástroje

Přímý nástroj

► Obr.70

	D	A	L1	L2
20	6	20	50	15
20E	1/4"			
8	8	8	60	25
8	6			
8E	1/4"			
6	6	6	50	18
6E	1/4"			

Jednotka: mm

Drážkovací nástroj „U“

► Obr.71

	D	A	L1	L2	R
6	6	6	50	18	3
6E	1/4"				

Jednotka: mm

Drážkovací nástroj „V“

► Obr.72

D	A	L1	L2	θ
1/4"	20	50	15	90°

Jednotka: mm

Lemovací nástroj s vrtacím hrotem

► Obr.73

	D	A	L1	L2	L3
8	8	8	60	20	35
6	6			18	28
6E	1/4"				

Jednotka: mm

Zdvojený lemovací nástroj s vrtacím hrotem

► Obr.74

	D	A	L1	L2	L3	L4
8	8	8	80	95	20	25
6	6		70	40	12	14
6E	1/4"					

Jednotka: mm

Nástroj na zaoblování rohů

► Obr.75

	D	A1	A2	L1	L2	L3	R
8R	6	25	9	48	13	5	8
8RE	1/4"						
4R	6	20	8	45	10	4	4
4RE	1/4"						

Jednotka: mm

Úkosovací nástroj

► Obr.76

D	A	L1	L2	L3	θ
6	23	46	11	6	30°
6	20	50	13	5	45°
6	20	49	14	2	60°

Jednotka: mm

Obrubovací nástroj na lišty

► Obr.77

D	A	L1	L2	R
6	20	43	8	4
6	25	48	13	8

Jednotka: mm

Lemovací nástroj s kuličkovým ložiskem

► Obr.78

D	A	L1	L2
6	10	50	20
1/4"			

Jednotka: mm

Nástroj na zaoblování rohů s kuličkovým ložiskem

► Obr.79

D	A1	A2	L1	L2	L3	R
6	15	8	37	7	3,5	3
6	21		40	10		6
1/4"						

Jednotka: mm

Úkosovací nástroj s kuličkovým ložiskem

► Obr.80

D	A1	A2	L1	L2	θ
6	26	8	42	12	45°
1/4"					
6	20		41	11	60°

Jednotka: mm

Obrubovací nástroj s kuličkovým ložiskem

► Obr.81

D	A1	A2	A3	L1	L2	L3	R
6	20	12	8	40	10	5,5	4
6	26			42	12	4,5	7

Jednotka: mm

Obrubovací nástroj na lišty s kuličkovým ložiskem

► Obr.82

D	A1	A2	A3	A4	L1	L2	L3	R
6	20	18	12	8	40	10	5,5	3
6	26	22			42	12	5	5

Jednotka: mm

Profilovací nástroj Roman Ogee s kuličkovým ložiskem

► Obr.83

D	A1	A2	L1	L2	L3	R1	R2
6	20	8	40	10	4,5	2,5	4,5
6	26		42	12		3	6

Jednotka: mm

ТЕХНІЧНІ ХАРАКТЕРИСТИКИ

Модель:	DRT50
Макс. діаметр цангового патрона	6 мм, 8 мм, 1/4 дюйма, 3/8 дюйма
Швидкість у режимі холостого ходу	10 000—30 000 хв ⁻¹
Загальна довжина	226 мм
Номінальна напруга	18 В пост. струму
Стандартна касета з акумулятором	BL1815N / BL1820 / BL1820B / BL1830 / BL1830B / BL1840 / BL1840B / BL1850 / BL1850B / BL1860B
Маса нетто	1,8—2,1 кг

- Оскільки наша програма наукових досліджень і розробок триває безперервно, наведені тут технічні характеристики можуть бути змінені без попередження.
- Технічні характеристики приладу та касета з акумулятором можуть відрізнятись в різних країнах.
- Вага може відрізнятись залежно від допоміжного обладнання, наприклад касети з акумулятором. Найлегші та найважчі комплекти, відповідно до стандарту ЕРТА (Європейська асоціація виробників електроінструменту) від січня 01/2014 року, представлено в таблиці.

Призначення

Інструмент призначено для обрізання країв та фасонної обробки деревини, пластмаси та подібних матеріалів.

Шум

Рівень шуму за шкалою А в типовому виконанні, визначений відповідно до стандарту EN60745: Рівень звукового тиску (L_{pA}): 78 дБ (А)
Похибка (К): 3 дБ (А)

▲ПОПЕРЕДЖЕННЯ: Користуйтеся засобами захисту органів слуху.

Вібрація

Загальна величина вібрації (векторна сума трьох напрямків) визначена згідно з EN60745:
Режим роботи: обертання без навантаження
Вібрація (a_h): 2,5 м/с² або менше
Похибка (К): 1,5 м/с²
Режим роботи: різання пазів у МДФ
Вібрація (a_h): 4,5 м/с²
Похибка (К): 1,5 м/с²

ПРИМІТКА: Заявлене значення вібрації було виміряно відповідно до стандартних методів тестування та може використовуватися для порівняння одного інструмента з іншим.

ПРИМІТКА: Заявлене значення вібрації може також використовуватися для попередньої оцінки впливу.

▲ПОПЕРЕДЖЕННЯ: Залежно від умов використання вібрація під час фактичної роботи електроінструмента може відрізнятись від заявленого значення вібрації.

▲ПОПЕРЕДЖЕННЯ: Забезпечте належні запобіжні заходи для захисту оператора, що відповідатимуть умовам використання інструмента (слід брати до уваги всі складові робочого циклу, такі як час, коли інструмент вимкнено та коли він починає працювати на холостому ході під час запуску).

Декларація про відповідність стандартам ЄС

Тільки для країн Європи

Декларацію про відповідність стандартам ЄС наведено в Додатку А до цієї інструкції з експлуатації.

ПОПЕРЕДЖЕННЯ ПРО ДОТРИМАННЯ ТЕХНІКИ БЕЗПЕКИ

Загальні застереження щодо техніки безпеки при роботі з електроінструментами

▲ПОПЕРЕДЖЕННЯ: Уважно ознайомтеся з усіма попередженнями про дотримання правил техніки безпеки, інструкціями, ілюстраціями та технічними характеристиками, що стосуються цього електроінструмента. Невиконання будь-яких інструкцій, перелічених нижче, може призвести до ураження електричним струмом, пожежі та/або тяжких травм.

Збережіть усі інструкції з техніки безпеки та експлуатації на майбутнє.

Термін «електроінструмент», зазначений у інструкції з техніки безпеки, стосується електроінструмента, який функціонує від електромережі (електроінструмент з кабелем живлення), або електроінструмента з живленням від батареї (безпроводний електроінструмент).

Попередження про необхідну обережність під час роботи з бездротовим тримером

1. Електроінструмент слід тримати за ізольовані поверхні рукоятки, оскільки різак може зачепити сховану електропроводку. Розривання дроту під напругою може призвести до передавання напруги до оголених металевих частин електроінструмента та до ураження оператора електричним струмом.
2. Використовуйте затискні пристрої або інші засоби, щоб забезпечити опору деталі та закріпити її на стійкій поверхні. Утримування деталі руками або тілом не забезпечує фіксацію деталі та може призвести до втрати контролю.
3. Під час тривалої роботи слід надягати засоби захисту органів слуху.
4. Поводьтеся з наконечниками тримера дуже обережно.
5. Перед початком роботи ретельно перевірте наконечник тримера на наявність тріщин або пошкодження. негайно замініть тріснутий або пошкоджені наконечники.
6. Уникайте різання цвяхів. Перед початком роботи огляньте робочу деталь та в разі наявності цвяхів приборіть їх.
7. Тримайте інструмент міцно.
8. Не наближайте руки до деталей, що обертаються.
9. Не допускайте контакту наконечника тримера з робочою деталлю до увімкнення інструмента.
10. Перед початком різання деталі запустіть інструмент та дайте йому попрацювати деякий час на холостому ході. Звертайте увагу на вібрацію або нерівний хід: це може вказувати на неправильне встановлення наконечника.
11. Уважно стежте за напрямком обертання наконечника тримера та напрямком подачі.
12. Не залишайте без нагляду інструмент, який працює. Працюйте з інструментом, тільки тримаючи його в руках.
13. Обов'язково після вимкнення інструмента заждіть, поки наконечник тримера не зупиниться повністю, і лише тоді виймайте інструмент з деталі.
14. Не торкайтеся наконечника тримера відразу після обробки: він може бути дуже гарячим та спричинити опіки.

15. Не змащуйте основу інструмента через необачність розчинником, бензином, оливою тощо. Вони можуть призвести до тріщин основи інструмента.
16. Використовуйте наконечники тримера тільки з належним діаметром хвостовика, що відповідає швидкості інструмента.
17. Деякі матеріали містять токсичні хімічні речовини. Будьте обережні, щоб не допустити вдихання пилу та його контакту зі шкірою. Дотримуйтеся правил техніки безпеки, передбачених виробником матеріалу.
18. Обов'язково використовуйте пилозахисну маску або респіратор відповідно до області застосування та матеріалу, який оброблюється.

ЗБЕРІГАЙТЕ ЦІ ВКАЗІВКИ.

▲ ПОПЕРЕДЖЕННЯ: НИКОЛИ НЕ втрачайте пильності та не розслабляйтеся під час користування виробом (що можливо при частому використанні); обов'язково строго дотримуйтеся відповідних правил безпеки. **НЕНАЛЕЖНЕ ВИКОРИСТАННЯ** або недотримання правил безпеки, викладених у цій інструкції з експлуатації, може призвести до серйозних травм.

Важливі інструкції з безпеки для касети з акумулятором

1. Перед тим як користуватися касетою з акумулятором, слід прочитати всі інструкції та застережні знаки щодо (1) зарядного пристрою акумулятора, (2) акумулятора та (3) виробів, що працюють від акумулятора.
2. Не слід розбирати касету з акумулятором.
3. Якщо період роботи дуже покоротшав, слід негайно припинити користування. Це може призвести до виникнення ризику перегріву, опіку та навіть вибуху.
4. У разі потрапляння електроліту в очі слід промити їх чистою водою та негайно звернутися до лікаря. Це може призвести до втрати зору.
5. Не закоротіть касету з акумулятором.
 - (1) Не слід торкатися клем будь-яким струмопровідним матеріалом.
 - (2) Не слід зберігати касету з акумулятором у ємності з іншими металевими предметами, такими як цвяхи, монети тощо.
 - (3) Не залишайте касету з акумулятором під дощем, запобігайте контакту з водою.Коротке замикання може призвести до появи значного струму, перегріву, можливих опіків та навіть виходу з ладу.
6. Не слід зберігати інструмент та касету з акумулятором в місцях, де температура може сягнути чи перевищити 50°C (122°F).
7. Не слід спалювати касету з акумулятором, навіть якщо вона була неодноразово пошкоджена або повністю спрацьована. Касета з акумулятором може вибухнути у вогні.

8. Не слід кидати або ударяти акумулятор.
9. Не слід використовувати пошкоджений акумулятор.
10. Літій-іонні акумулятори, що містяться в інструменті, мають відповідати вимогам законів про небезпечні товари. Під час транспортування за допомогою комерційних перевезень, наприклад із залученням третьої сторони та експедиторів, необхідно дотримуватись особливих вимог, вказаних на пакуванні й у маркуванні. Під час підготування позиції до відправлення необхідно проконсультуватись зі спеціалістом з небезпечних матеріалів. Крім того, слід виконувати більш докладні національні настанови, якщо такі є. Заклейте відкриті контакти стрічкою або заховайте їх і запакуйте акумулятор таким чином, щоб він не міг рухатися в пакуванні.
11. Дотримуйтеся норм місцевого законодавства щодо утилізації акумуляторів.

ЗБЕРЕГАЙТЕ ЦІ ВКАЗІВКИ.

⚠ОБЕРЕЖНО: Використовуйте тільки акумулятори Makita. Використання акумуляторів, інших ніж оригінальні акумулятори Makita, або акумуляторів, конструкцію яких було змінено, може призвести до вибуху акумулятора і спричинити пожежу, травму або пошкодження. У зв'язку з цим також буде анульовано гарантію Makita на інструмент Makita і на зарядний пристрій.

Поради з забезпечення максимального строку експлуатації акумулятора

1. Касету з акумулятором слід заряджати до того, як він розрядиться повністю. Завжди слід зупинити роботу інструмента та зарядити акумулятор, якщо ви помітили зменшення потужності інструмента.
2. Ніколи не слід заряджати повторно повністю заряджену касету з акумулятором. Перезарядження скорочує строк експлуатації акумулятора.
3. Заряджайте касету з акумулятором при кімнатній температурі 10°C—40°C (50°F—104°F). Перед тим як заряджати касету з акумулятором, слід зачекати, доки вона охолоне.
4. Якщо касета з акумулятором не використовувалася тривалий час (понад шість місяців), її слід зарядити.

ОПИС РОБОТИ

⚠ОБЕРЕЖНО: Обов'язково переконайтеся, що прилад вимкнено, а касету з акумулятором знято, перед регулюванням або перевіркою функціонування інструмента.

Встановлення та зняття касети з акумулятором

⚠ОБЕРЕЖНО: Завжди вимикайте інструмент перед встановленням або зняттям касети з акумулятором.

⚠ОБЕРЕЖНО: Під час встановлення або зняття касети з акумулятором слід міцно тримати інструмент та касету з акумулятором.

Якщо ви утримуватимете інструмент та касету з акумулятором недостатньо міцно, вони можуть вислизнути з рук, що може призвести до пошкодження інструмента та касети з акумулятором або може спричинити травми.

► **Рис.1:** 1. Червоний індикатор 2. Кнопка 3. Касета з акумулятором

Щоб зняти касету з акумулятором, слід витягнути її з інструмента, натиснувши на кнопку в передній частині касети.

Щоб установити касету з акумулятором, слід сумістити виступ на касеті з акумулятором із пазом у корпусі та вставити касету на місце. Її необхідно вставити повністю, аж доки не почуєте клацання. Якщо на верхній частині кнопки помітний червоний індикатор, це означає, що касета з акумулятором установлена не до кінця.

⚠ОБЕРЕЖНО: Завжди вставляйте касету з акумулятором повністю, аж поки червоний індикатор стане невидимим. Якщо цього не зробити, касета може випадково випасти з інструмента та завдати травми вам або людям, що знаходяться поряд.

⚠ОБЕРЕЖНО: Не встановлюйте касету з акумулятором із зусиллям. Якщо касета не вставляється легко, то це означає, що ви її неправильно вставляєте.

Відображення залишкового заряду акумулятора

Тільки для касет з акумулятором, які мають індикатори

► **Рис.2:** 1. Індикаторні лампи 2. Кнопка перевірки

Натисніть кнопку перевірки на касеті з акумулятором для відображення залишкового ресурсу акумулятора. Індикаторні лампи загоряться на кілька секунд.

Індикаторні лампи			Залишковий ресурс
Горить	Вимк.	Блимає	
■	□	▧	від 75 до 100%
■ ■ ■ ■			
	□	▧	від 50 до 75%
■ ■ ■ □			
	□	□	від 25 до 50%
■ ■ □ □			
	□	□	від 0 до 25%
■ □ □ □			
▧	□	□	Зарядіть акумулятор.
▧	□	□	Можливо, акумулятор вийшов з ладу.
▧	□	□	

ПРИМІТКА: Залежно від умов використання та температури оточуючого середовища показання можуть незначним чином відрізнятися від дійсного ресурсу.

Система захисту інструмента/акумулятора

Інструмент оснащено системою захисту інструмента/акумулятора. Ця система автоматично вимикає живлення двигуна з метою збільшення терміну служби інструмента та акумулятора. Інструмент автоматично зупиняється під час роботи, якщо інструмент або акумулятор перебувають у зазначених нижче умовах.

Захист від перевантаження

Якщо акумулятор використовується в умовах надмірного споживання струму, він автоматично вимикається без будь-якого попередження. У такому разі вимкніть інструмент і припиніть роботу, під час виконання якої інструмент зазнав перевантаження. Щоб перезапустити інструмент, увімкніть його знову.

Захист від перегрівання

Якщо інструмент або акумулятор перегрівся, інструмент автоматично вимикається, а лампа підсвічування починає блимати. У такому випадку дозвольте інструменту й акумулятору охолонути, перш ніж знову увімкнути інструмент.

Захист від надмірного розрядження

Коли заряд акумулятора стає недостатнім для подальшої роботи, інструмент автоматично зупиняється. У такому випадку вийміть акумулятор з інструмента та зарядіть його.

Дія вимикача

Щоб увімкнути інструмент, натисніть кнопку блокування/розблокування. Інструмент переходить у режим очікування. Щоб запустити інструмент, натисніть кнопку запуску/зупинки в режимі очікування. Щоб зупинити інструмент, натисніть кнопку запуску/зупинки ще раз. Інструмент переходить у режим очікування. Щоб вимкнути інструмент, натисніть кнопку блокування/розблокування в режимі очікування.

► **Рис.3:** 1. Кнопка блокування/розблокування
2. Кнопка запуску/зупинки

ПРИМІТКА: Якщо в режимі очікування інструмент залишається без виконання будь-яких операцій протягом 10 секунд, він автоматично вимикається, і лампа гасне.

ПРИМІТКА: Також можна зупинити й вимкнути інструмент, натиснувши кнопку блокування/розблокування, коли інструмент працює.

Увімкнення переднього підсвічування

⚠ОБЕРЕЖНО: Не дивіться на світло або безпосередньо на джерело світла.

Щоб увімкнути лампу, натисніть кнопку блокування/розблокування. Щоб вимкнути лампу, натисніть кнопку блокування/розблокування ще раз.

УВАГА: У разі перегріву інструмента починає мигтіти лампа. Зачекайте, доки інструмент повністю охолоне, перш ніж продовжувати роботу.

ПРИМІТКА: Для очищення скла лампи підсвічування протріть її сухою тканиною. Будьте обережні, щоб не подряпати скло лампи підсвічування, тому що це погіршить освітлювання.

Диск регулювання швидкості

Швидкість обертання інструмента можна змінити, повернувши диск регулювання швидкості. У таблиці нижче показано номери на диску та відповідні значення швидкості обертання.

► **Рис.4:** 1. Диск регулювання швидкості

Номер	Швидкість
1	10 000 хв ⁻¹
2	15 000 хв ⁻¹
3	20 000 хв ⁻¹
4	25 000 хв ⁻¹
5	30 000 хв ⁻¹

УВАГА: Якщо інструмент протягом тривалого часу працює на низькій швидкості, двигун перевантажується, що призводить до порушень у роботі інструмента.

УВАГА: Якщо потрібно змінити швидкість зі значення «5» на «1», поверніть диск проти годинникової стрілки. Забороняється повертати диск за годинниковою стрілкою із застосуванням сили.

Електронні функції

Для полегшення роботи інструмент обладнано електронними функціями.

- Контроль постійної швидкості
Функція контролю швидкості забезпечує постійну швидкість обертання, незалежно від умов навантаження.
- Плавний запуск
Функція плавного запуску мінімізує ривок під час запуску та забезпечує плавний запуск інструмента.

Регулювання глибини різання

Для регулювання глибини різання відкрийте важіль блокування, потім пересуньте основу інструмента вгору або вниз, повернувши гвинт регулювання. Після завершення регулювання міцно закрийте важіль регулювання.

- **Рис.5:** 1. Важіль блокування 2. Гвинт регулювання

УВАГА: Якщо інструмент не закріплений після закриття важеля блокування, затягніть спочатку шестигранну гайку, а потім закрийте важіль блокування.

- **Рис.6:** 1. Шестигранна гайка

Регулювання глибини різання з основою заглиблення

Додаткове обладнання

1. Установіть інструмент на плоску поверхню.
2. Повертаючи основу стопора, виберіть стопорний гвинт.
► **Рис.7:** 1. Стопорний гвинт 2. Основа стопора
3. Відпустіть фіксувальну гайку штанги стопора, потім витягніть штангу стопора, натискаючи кнопку управління подачею.
► **Рис.8:** 1. Штанга стопора 2. Фіксувальна гайка 3. Кнопка управління подачею
4. Опустіть інструмент донизу, аби наконечник тримера торкнувся плоскої поверхні, потім поверніть фіксувальний важіль, щоб закріпити інструмент.
► **Рис.9:** 1. Фіксувальний важіль 2. Наконечник тримера
5. Опускайте штангу стопора, одночасно натискаючи кнопку управління подачею, поки штанга стопора не торкнеться стопорного гвинта.
► **Рис.10:** 1. Штанга стопора 2. Стопорний гвинт 3. Кнопка управління подачею
6. Посувайте покажчик глибини, поки він не опиниться навпроти позначки «0» на шкалі.
► **Рис.11:** 1. Покажчик глибини
7. Щоб відрегулювати глибину різання, піднімайте штангу стопора, одночасно натискаючи кнопку управління подачею.
► **Рис.12:** 1. Штанга стопора 2. Кнопка управління подачею
8. Щоб забезпечити точне регулювання глибини різання, повертайте диск на штанзі стопора, поки він не опиниться навпроти позначки «0».
► **Рис.13:** 1. Диск

9. Щоб отримати потрібну глибину, поверніть головку штанги стопора. Щоб збільшити глибину, поверніть головку проти годинникової стрілки. Щоб зменшити глибину, поверніть головку за годинниковою стрілкою.
► **Рис.14:** 1. Головка штанги стопора

10. Затягніть фіксувальну гайку штанги стопора.
► **Рис.15:** 1. Фіксувальна гайка

11. Відпустіть фіксувальний важіль.
► **Рис.16:** 1. Фіксувальний важіль

ЗБОРКА

⚠ОБЕРЕЖНО: Обов'язково переконайтеся, що прилад вимкнено, а касету з акумулятором знято, перш ніж проводити будь-які роботи з інструментом.

Установлення або зняття наконечника тримера

УВАГА: Не затягуйте гайку патрона без усталеного наконечника. Конус патрона може зламатися.

Повністю вставте наконечник тримера в конус патрона. Натисніть на замок вала й затягніть гайку патрона одним обертом ключа, або міцно затягніть гайку патрона двома обертами ключа. Щоб зняти наконечник, виконайте процедуру встановлення у зворотному порядку.

- **Рис.17:** 1. Замок вала 2. Відпустити 3. Затягнути 4. Ключ 5. Гайка патрона

- **Рис.18:** 1. Ключ 2. Відпустити 3. Затягнути 4. Гайка патрона

ПРИМІТКА: Замок вала може не повернутись у початкове положення, якщо ви затягуєте гайку патрона під час установлення наконечника тримера. Замок вала повертається у початкове положення під час запуску інструмента.

- **Рис.19:** 1. Замок вала

Установлення та зняття основи тримера

1. Відкрийте важіль блокування основи тримера, потім уставьте інструмент в основу тримера, сумістивши паз на інструменті з виступом на основі тримера.

- **Рис.20:** 1. Важіль блокування

2. Закрийте важіль блокування.

3. Приєднайте штучер для пилу до основи тримера, а потім затягніть гвинт із накатаною головкою.

- **Рис.21:** 1. Штучер для пилу 2. Гвинт із накатаною головкою

- **Рис.22**

Щоб зняти основу, виконайте процедуру встановлення в зворотному порядку.

⚠ОБЕРЕЖНО: У разі використання інструмента з основою тримера на основу тримера слід установлювати штучер для пилу.

Установлення та зняття похилої основи

Додаткове обладнання

1. Відкрийте важіль блокування похилої основи, потім уставте інструмент у похилу основу, сумістивши паз на інструменті з виступом на похилій основі.

► **Рис.23:** 1. Важіль блокування

2. Закрийте важіль блокування.

Щоб зняти основу, виконайте процедуру встановлення в зворотному порядку.

Установлення та зняття основи зі зсувом

Додаткове обладнання

1. Натисніть на замок вала, потім відпустіть гайку патрона.

► **Рис.24:** 1. Замок вала 2. Гайка патрона 3. Ключ

2. Зніміть гайку патрона та конус патрона.

► **Рис.25:** 1. Гайка патрона 2. Конус патрона

3. Установіть блок на інструмент, натиснувши на замок вала та затягнувши блок за допомогою ключа.

► **Рис.26:** 1. Ключ 2. Блок 3. Замок вала

4. Відпустіть гвинти на опорній плиті, а потім зніміть її.

► **Рис.27:** 1. Опорна плита

5. Відкрийте важіль блокування основи зі зсувом, потім уставте інструмент в основу зі зсувом.

► **Рис.28:** 1. Важіль блокування

6. Установіть ремінь на блок, повертаючи ремінь уручну.

► **Рис.29:** 1. Блок 2. Ремінь

7. Закрийте важіль блокування.

► **Рис.30:** 1. Важіль блокування

8. Закріпіть опорну плиту, затягнувши гвинти.

► **Рис.31:** 1. Опорна плита

9. Уставте конус патрона та наконечник тримера в основу зі зсувом, а потім затягніть гайку патрона.

► **Рис.32:** 1. Наконечник тримера 2. Гайка патрона 3. Конус патрона

10. Уставте шестигранний ключ в отвір на основі зі зсувом, а потім затягніть гайку патрона за допомогою ключа.

► **Рис.33:** 1. Гайка патрона 2. Ключ 3. Шестигранний ключ

Щоб зняти основу, виконайте процедуру встановлення в зворотному порядку.

ПРИМІТКА: Також можна встановити ремінь на блок, не знімаючи опорну плиту, як показано на малюнку.

► **Рис.34:** 1. Блок 2. Ремінь

Установлення та зняття основи заглиблення

Додаткове обладнання

1. Відкрийте важіль блокування основи заглиблення, потім повністю вставте інструмент в основу заглиблення, сумістивши паз на інструменті з виступом на основі заглиблення.

► **Рис.35:** 1. Важіль блокування

2. Закрийте важіль блокування.

Щоб зняти основу, виконайте процедуру встановлення в зворотному порядку.

Установлення та зняття паралельної лінійки на основі заглиблення

Додаткове обладнання

Уставте шини в отвори на основі заглиблення, а потім затягніть смушкові болти. Щоб зняти лінійку, виконайте процедуру встановлення в зворотному порядку.

► **Рис.36:** 1. Смушковий болт 2. Шина

Установлення та зняття штуцера для пилу на основі заглиблення

Уставте штуцер для пилу в основу заглиблення, так щоб виступ на штуцері для пилу ввійшов у паз на основі заглиблення, а потім затягніть гвинт із накатаною головкою на штуцері для пилу. Щоб зняти штуцер, виконайте процедуру встановлення в зворотному порядку.

► **Рис.37:** 1. Виступ 2. Штуцер для пилу 3. Гвинт із накатаною головкою

► **Рис.38**

РОБОТА

Використання інструмента з основою тримера

Установіть основу інструмента на робочу деталь таким чином, щоб наконечник тримера її не торкався. Потім увімкніть інструмент і заждіть, доки наконечник набере повної швидкості. Рухайте інструмент уперед по поверхні робочої деталі. Рухаючи інструмент, тримайте основу інструмента врівень із деталлю. Під час різання країв поверхня робочої деталі повинна бути розташована зліва від наконечника тримера в напрямку подачі.

► **Рис.39**

ПРИМІТКА: Перш ніж різати власне деталь, рекомендується виконати пробне різання. Правильна швидкість подачі залежить від розміру наконечника тримера, типу деталі та глибини різання. Якщо пересувати інструмент уперед занадто швидко, це може призвести до погані якості обробки або пошкодження наконечника або двигуна. Якщо пересувати інструмент уперед занадто повільно, це може призвести до обпінання або спотворення прорізу.

У разі використання башмака тримера, прямої напрямної або напрямної тримера слід перевірити, щоб вони були встановлені з правої сторони в напрямку подачі. Це допоможе тримати напрямну врівень із боковою поверхнею робочої деталі.

► **Рис.40:** 1. Наконечник тримера 2. Робоча деталь 3. Пряма напрямна

УВАГА: Оскільки надмірне різання може призвести до перевантаження двигуна або утруднити керування інструментом, під час різання пазів глибина різання не повинна перевищувати 3 мм за один прохід. Якщо потрібно вирізати пази глибиною більше 3 мм, то слід зробити декілька проходів, послідовно збільшуючи налаштування глибини наконечника.

Використання прямої напрямної

Додаткове обладнання

1. Установіть пряму напрямну за допомогою болта й смушкової гайки.

► **Рис.41:** 1. Болт 2. Смушкова гайка

2. Приєднайте пряму напрямну до основи тримера за допомогою затискного гвинта.

► **Рис.42:** 1. Затискний гвинт

3. Відпустіть смушкову гайку на прямій напрямній і відрегулюйте відстань між наконечником та прямою напрямною. На потрібній відстані затягніть смушкову гайку.

► **Рис.43:** 1. Смушкова гайка

4. Рухайте інструмент таким чином, щоб пряма напрямна перебувала врівень із боковою поверхнею робочої деталі.

► **Рис.44**

Якщо відстань (А) між боковою поверхнею деталі та положенням різання завелика для прямої напрямної або бокова поверхня деталі не пряма, пряму напрямну використовувати не можна.

У такому разі щільно притисніть пряму дошку до деталі та використовуйте її як напрямну відносно основи тримера. Інструмент слід подавати в напрямку, вказаному стрілкою.

► **Рис.45**

Використання прямої напрямної для вирізання кіл

Для вирізання кіл установіть пряму напрямну, як показано на малюнках. Мінімальний і максимальний радіуси кіл, які можна вирізати (відстань від центра кола до центра наконечника тримера):

- мінімальний — 70 мм;
- максимальний — 221 мм.

Для вирізання кіл радіусом 70—121 мм.

► **Рис.46:** 1. Центральний отвір

Для вирізання кіл радіусом 121—221 мм.

► **Рис.47:** 1. Центральний отвір

ПРИМІТКА: Кола радіусом 172—186 мм за допомогою цієї напрямної різати не можна.

Сумістіть центральний отвір на прямій напрямній із центром кола, яке потрібно вирізати. Уставте в центральний отвір цвях діаметром не менше 6 мм для фіксації прямої напрямної. Повертайте інструмент навколо цвяха за годинниковою стрілкою.

► **Рис.48:** 1. Цвях 2. Центральний отвір

Використання напрямної шаблона

Додаткове обладнання

Напрямна шаблон дає можливість виконувати повторне різання, використовуючи шаблон.

1. Відпустіть гвинти на опорній плиті, а потім зніміть її з основи тримера.

2. Покладіть напрямну шаблон на основу, а потім приєднайте опорну плиту, затягнувши гвинти.

► **Рис.49:** 1. Опорна плита 2. Напрямна шаблон

3. Установіть інструмент на шаблон і пересувайте інструмент із напрямною шаблона вздовж бокової поверхні шаблона.

► **Рис.50**

ПРИМІТКА: Фактичний розмір розрізу на робочій деталі трохи відрізняється від розміру шаблона. Різниця дорівнює відстані (Х) між наконечником тримера та зовнішнім краєм напрямної шаблона. Відстань (Х) можна розрахувати за такою формулою:

Відстань (Х) = (зовнішній діаметр напрямної шаблона - діаметр наконечника тримера) / 2

► **Рис.51:** 1. Наконечник тримера 2. Напрямна шаблон 3. Відстань (Х) 4. Зовнішній діаметр напрямної шаблона

Використання напрямної тримера

Додаткове обладнання

Напрямна тримера дає можливість виконувати різання матеріалу, наприклад меблевої фанери, по кривій, рухаючи напрямний ролик уздовж бокової поверхні робочої деталі.

► **Рис.52**

1. Відпустіть затискний гвинт, потім установіть напрямну тримера на основу тримера та затягніть затискний гвинт.

► **Рис.53:** 1. Затискний гвинт

2. Відпустіть затискний гвинт і відрегулюйте відстань між наконечником тримера та напрямною тримера, повернувши гвинт регулювання (1 мм за поворот). На необхідній відстані слід затягнути затискний гвинт і закріпити напрямну тримера.

► **Рис.54:** 1. Гвинт регулювання 2. Затискний гвинт

3. Рухайте інструмент так, щоб напрямний ролик ішов по боковій поверхні робочої деталі.

► **Рис.55:** 1. Робоча деталь 2. Наконечник

3. Напрячний ролик

Використання інструмента з похилою основою

Похилу основу зручно використовувати для зняття фасок. Відпустіть смушкові гвинти, потім нахиліть інструмент до потрібного кута й затягніть смушкові гвинти.

Міцно притисніть пряму дошку до деталі та використовуйте її як напрямну відносно похилої основи. Інструмент слід подавати в напрямку, вказаному стрілкою.

► **Рис.56:** 1. Смушковий гвинт

Використання плити похилої основи з основою тримера

Щоб використовувати основу тримера з квадратною опорною плитою, зніміть опорну плиту з похилої основи, а потім приєднайте її до основи тримера.

► **Рис.57:** 1. Плита похилої основи 2. Плита основи тримера

Використання інструмента з основою зі зсувом

Основу зі зсувом зручно використовувати для робіт у вузьких місцях, наприклад у кутах.

► **Рис.58**

Використання основи тримера з плитою основи зі зсувом і рукояткою

Для кращої стійкості плиту основи зі зсувом можна використовувати разом з основою тримера та кріпленням для рукоятки (додаткове обладнання).

1. Відпустіть гвинти на опорній плиті, а потім зніміть опорну плиту з основи зі зсувом.

► **Рис.59:** 1. Плита основи зі зсувом 2. Плита основи тримера

2. Приєднайте плиту основи зі зсувом до основи тримера, затягнувши гвинти.

3. Приєднайте кріплення для рукоятки та стрижневу рукоятку до плити основи зі зсувом, затягнувши гвинти.

► **Рис.60:** 1. Стрижнева рукоятка 2. Кріплення для рукоятки

Замість стрижневої рукоятки на основу зі зсувом можна встановити шароподібну рукоятку, якщо зняти її з основи заглиблення.

► **Рис.61:** 1. Гвинт 2. Шароподібна рукоятка

Використання інструмента з основою заглиблення

Під час роботи завжди міцно тримайте рукоятки обома руками. Працюйте з інструментом таким же чином, як і з інструментом з установленою основою тримера.

Використання прямої напрямної

Додаткове обладнання

1. Установіть пряму напрямну на тримач напрямної, затягнувши смушкову гайку. Уставте тримач напрямної в отвори на основі заглиблення, а потім затягніть смушкові болти.

► **Рис.62:** 1. Смушковий болт 2. Тримач напрямної 3. Смушкова гайка 4. Пряма напрямна

2. Відпустіть смушкову гайку на прямій напрямній і відрегулюйте відстань між наконечником та прямою напрямною. На потрібній відстані затягніть смушкову гайку.

► **Рис.63:** 1. Смушкова гайка

3. Працюйте з інструментом таким же чином, як і з інструментом з установленою прямою напрямною для основи тримера.

► **Рис.64**

Використання напрямної шаблони

Додаткове обладнання

1. Відпустіть гвинти на основі та зніміть їх. Установіть напрямну шаблону на основу, а потім затягніть гвинти.

► **Рис.65:** 1. Гвинт 2. Напрямна шаблони

2. Працюйте з інструментом таким же чином, як і з інструментом з установленою напрямною шаблону для основи тримера.

► **Рис.66**

Використання паралельної лінійки

Паралельна лінійка корисна для прямих прорізів під час зняття фасок або вирізання пазів. Відрегулюйте відстань між наконечником і паралельною лінійкою. На потрібній відстані затягніть смушкові болти, щоб закріпити паралельну лінійку. Під час різання рухайте інструмент таким чином, щоб паралельна лінійка перебувала врівень із боковою поверхнею робочої деталі.

► **Рис.67**

Якщо відстань (А) між боковою поверхнею деталі та положенням різання завелика для паралельної лінійки або бокова поверхня деталі не пряма, паралельну лінійку використовувати не можна.

У такому разі щільно притисніть пряму дошку до деталі та використовуйте її як напрямну відносно основи заглиблення. Інструмент слід подавати в напрямку, вказаному стрілкою.

► **Рис.68**

Заміна шароподібної рукоятки на стрижневу

Щоб установити стрижневу рукоятку на основу заглиблення, відпустіть гвинт шароподібної рукоятки, зніміть її, а потім установіть стрижневу рукоятку, затягнувши її.

► **Рис.69:** 1. Шароподібна рукоятка 2. Гвинт 3. Стрижнева рукоятка

ТЕХНІЧНЕ ОБСЛУГОВУВАННЯ

⚠ ОБЕРЕЖНО: Перед здійсненням перевірки або обслуговування завжди перевіряйте, щоб інструмент був вимкнений, а касета з акумулятором була знята.

УВАГА: Ніколи не використовуйте газолін, бензин, розріджувач, спирт та подібні речовини. Їх використання може призвести до зміни кольору, деформації або появи тріщин.

Для забезпечення БЕЗПЕКИ та НАДІЙНОСТІ продукції, її ремонт, а також роботи з обслуговування або регулювання повинні виконуватись уповноваженими або заводськими сервісними центрами Makita із використанням запчастин виробництва компанії Makita.

ДОДАТКОВЕ ПРИЛАДДЯ

⚠ ОБЕРЕЖНО: Це додаткове та допоміжне обладнання рекомендовано використовувати з інструментом Makita, зазначеним у цій інструкції з експлуатації. Використання будь-якого іншого додаткового та допоміжного обладнання може становити небезпеку травмування. Використовуйте додаткове та допоміжне обладнання лише за призначенням.

У разі необхідності отримати допомогу в більш детальному ознайомленні з оснащенням звертайтеся до місцевого сервісного центру Makita.

- Наконечники для прямого різання та для пазів
- Наконечники для прорізання країв
- Наконечники для обрізання ламінату
- Вузол прямої напрямної
- Вузол напрямної тримера
- Вузол основи тримера
- Вузол похилої основи
- Вузол основи заглиблення
- Вузол основи зі зсувом
- Кріплення для рукоятки
- Напрямна шаблонка
- Конус патрона 6 мм
- Конус патрона 6,35 мм (1/4 дюйма)
- Конус патрона 8 мм
- Конус патрона 9,53 мм (3/8 дюйма)
- Ключ 13
- Ключ 22

ПРИМІТКА: Деякі елементи списку можуть входити до комплекту інструмента як стандартне приладдя. Вони можуть відрізнятися залежно від країни.

Наконечники тримера

Прямий наконечник

► Рис.70

	D	A	L1	L2
20	6	20	50	15
20E	1/4 дюйма			
8	8	8	60	25
8	6		50	18
8E	1/4 дюйма			
6	6	6	50	18
6E	1/4 дюйма			

Одиниця вимірювання: мм

Наконечник для вирізання U-подібних пазів

► Рис.71

	D	A	L1	L2	R
6	6	6	50	18	3
6E	1/4 дюйма				

Одиниця вимірювання: мм

Наконечник для вирізання V-подібних пазів

► Рис.72

D	A	L1	L2	θ
1/4 дюйма	20	50	15	90°

Одиниця вимірювання: мм

Наконечник типа свердла для обрізання країв

► Рис.73

	D	A	L1	L2	L3
8	8	8	60	20	35
6	6	6		18	28
6E	1/4 дюйма				

Одиниця вимірювання: мм

Наконечник типа свердла для подвійного обрізання країв

► Рис.74

	D	A	L1	L2	L3	L4
8	8	8	80	95	20	25
6	6	6	70	40	12	14
6E	1/4 дюйма					

Одиниця вимірювання: мм

Наконечник для закруглення кутів

► Рис.75

	D	A1	A2	L1	L2	L3	R
8R	6	25	9	48	13	5	8
8RE	1/4 дюйма						
4R	6	20	8	45	10	4	4
4RE	1/4 дюйма						

Одиниця вимірювання: мм

Наконечник для зняття фасок

► Рис.76

D	A	L1	L2	L3	θ
6	23	46	11	6	30°
6	20	50	13	5	45°
6	20	49	14	2	60°

Одиниця вимірювання: мм

Наконечник для скруглення країв із викружкою

► Рис.77

D	A	L1	L2	R
6	20	43	8	4
6	25	48	13	8

Одиниця вимірювання: мм

Наконечник для обрізання країв із кульковим підшипником

► Рис.78

D	A	L1	L2
6	10	50	20
1/4 дюйма			

Одиниця вимірювання: мм

Наконечник для закруглення кутів із кульковим підшипником

► Рис.79

D	A1	A2	L1	L2	L3	R
6	15	8	37	7	3,5	3
6	21		40	10		6
1/4 дюйма						

Одиниця вимірювання: мм

Наконечник для зняття фасок із кульковим підшипником

► Рис.80

D	A1	A2	L1	L2	θ
6	26	8	42	12	45°
1/4 дюйма					
6	20		41	11	60°

Одиниця вимірювання: мм

Наконечник для скруглення країв із кульковим підшипником

► Рис.81

D	A1	A2	A3	L1	L2	L3	R
6	20	12	8	40	10	5,5	4
6	26			42	12	4,5	7

Одиниця вимірювання: мм

Наконечник для скруглення країв із викружкою з кульковим підшипником

► Рис.82

D	A1	A2	A3	A4	L1	L2	L3	R
6	20	18	12	8	40	10	5,5	3
6	26	22			42	12	5	5

Одиниця вимірювання: мм

Наконечник S-подібної форми з кульковим підшипником

► Рис.83

D	A1	A2	L1	L2	L3	R1	R2
6	20	8	40	10	4,5	2,5	4,5
6	26		42	12		3	6

Одиниця вимірювання: мм

SPECIFICAȚII

Model:	DRT50
Capacitatea mandrinei cu con elastic	6 mm, 8 mm, 1/4", sau 3/8"
Turație în gol	10.000 - 30.000 min ⁻¹
Lungime totală	226 mm
Tensiune nominală	18 V D.C.
Cartuș acumulator standard	BL1815N / BL1820 / BL1820B / BL1830 / BL1830B / BL1840 / BL1840B / BL1850 / BL1850B / BL1860B
Greutate netă	1,8 - 2,1 kg

- Datorită programului nostru continuu de cercetare și dezvoltare, specificațiile pot fi modificate fără o notificare prealabilă.
- Specificațiile și cartușul acumulatorului pot diferi de la țară la țară.
- Greutatea poate diferi în funcție de accesoriu(ii), inclusiv cartușul acumulatorului. În tabel se prezintă combinația cea mai ușoară și cea mai grea, conform Procedurii EPTA 01/2014.

Destinația de utilizare

Mașina este destinată decupării plane și profilării lemnului, plasticului și materialelor similare.

Zgomot

Nivelul de zgomot normal ponderat A determinat în conformitate cu EN60745:

Nivel de presiune acustică (L_{pA}): 78 dB(A)

Marjă de eroare (K): 3 dB(A)

⚠️ AVERTIZARE: Purtați echipament de protecție pentru urechi.

Vibrații

Valoarea totală a vibrațiilor (suma vectorilor tri-axiali) determinată conform EN60745:

Mod de lucru: rotație fără sarcină

Emisie de vibrații (a_h): 2,5 m/s² sau mai puțin

Marjă de eroare (K): 1,5 m/s²

Mod de lucru: tăiere nuturi în MDF

Emisie de vibrații (a_h): 4,5 m/s²

Marjă de eroare (K): 1,5 m/s²

NOTĂ: Nivelul de vibrații declarat a fost măsurat în conformitate cu metoda de test standard și poate fi utilizat pentru compararea unei unelte cu alta.

NOTĂ: Nivelul de vibrații declarat poate fi, de asemenea, utilizat într-o evaluare preliminară a expunerii.

⚠️ AVERTIZARE: Nivelul de vibrații în timpul utilizării efective a unelei electrice poate diferi de valoarea nivelului declarat, în funcție de modul în care unealta este utilizată.

⚠️ AVERTIZARE: Asigurați-vă că identificați măsurile de siguranță pentru a proteja operatorul, acestea fiind bazate pe o estimare a expunerii în condiții reale de utilizare (luând în considerare toate părțile ciclului de operare, precum timpul în care unealta a fost oprită, sau a funcționat în gol, pe lângă timpul de declanșare).

Declarație de conformitate CE

Numai pentru țările europene

Declarația de conformitate CE este inclusă ca Anexa A în acest manual de instrucțiuni.

AVERTIZĂRI DE SIGURANȚĂ

Avertismente generale de siguranță pentru mașinile electrice

⚠️ AVERTIZARE: Citiți toate avertismentele privind siguranța, instrucțiunile, ilustrațiile și specificațiile furnizate cu această sculă electrică. Nerespectarea integrală a instrucțiunilor de mai jos poate cauza electrocutări, incendii și/sau vătămări corporale grave.

Păstrați toate avertismentele și instrucțiunile pentru consultări ulterioare.

Termenul „mașină electrică” din avertizări se referă la mașinile dumneavoastră electrice acționate de la rețea (prin cablu) sau cu acumulator (fără cablu).

Avertismente de siguranță privind motocosoarea fără cablu

1. **Țineți mașina electrică de suprafețele de prindere izolate, deoarece cuțitul poate intra în contact cu fire ascuse.** Tăierea unui fir sub tensiune ar putea pune sub tensiune și componentele metalice expuse ale mașinii electrice, existând pericolul ca operatorul să fie electrocutat.
2. **Folosii bride sau altă metodă practică de a fixa și sprijini piesa de prelucrat pe o platformă stabilă.** Fixarea piesei cu mâna sau strângerea acesteia la corp nu prezintă stabilitate și poate conduce la pierderea controlului.

3. Purtați mijloace de protecție a auzului în cazul unor perioade îndelungate de utilizare.
4. Manipulați mașinile de frezat cu deosebită atenție.
5. Verificați atent mașina de frezat cu privire la fisuri sau la deteriorări înainte de folosire. Înlocuiți imediat o sculă fisurată sau deteriorată.
6. Evitați tăierea cuielor. Inspectați piesa de prelucrat și scoateți toate cuiile din aceasta înainte de începerea lucrării.
7. Țineți bine mașina.
8. Nu atingeți piesele în mișcare.
9. Asigurați-vă că scula de frezat nu intră în contact cu piesa de prelucrat înainte de a conecta comutatorul.
10. Înainte de utilizarea mașinii pe piesa propriu-zisă, lăsați-o să funcționeze în gol pentru un timp. Încercați să identificați orice vibrație sau oscilație care ar putea indica o instalare inadecvată a mașinii.
11. Aveți grijă la sensul de rotație al sculei de frezat și direcția de avans.
12. Nu lăsați mașina în funcțiune. Folosiți mașina numai când o țineți cu mâinile.
13. Opriți întotdeauna mașina și așteptați ca mașina de frezat să se oprească complet înainte de a scoate mașina din piesa prelucrată.
14. Nu atingeți scula de frezat imediat după executarea lucrării; aceasta poate fi extrem de fierbinte și poate provoca arsuri ale pielii.
15. Nu mânjați neglijent talpa mașinii cu diluant, benzină, ulei sau alte substanțe asemănătoare. Acestea pot provoca fisuri în talpa mașinii.
16. Folosiți scule de frezat cu diametru corect de tijă, adecvate pentru turația mașinii.
17. Unele materiale conțin substanțe chimice care pot fi toxice. Aveți grijă să nu inhalați praful și evitați contactul cu pielea. Respectați instrucțiunile de siguranță ale furnizorului.
18. Folosiți întotdeauna masca de protecție contra prafului adecvată pentru materialul și aplicația la care lucrați.
5. Nu scurtcircuitați cartușul acumulatorului:
 - (1) Nu atingeți bornele cu niciun material conductor.
 - (2) Evitați depozitarea cartușului acumulatorului la un loc cu alte obiecte metalice cum ar fi cuie, monede etc.
 - (3) Nu expuneți cartușul acumulatorului la apă sau ploaie.

Un scurtcircuit al acumulatorului poate provoca un flux puternic de curent electric, supraîncălzire, posibile arsuri și chiar defectarea mașinii.
6. Nu depozitați mașina și cartușul acumulatorului în spații în care temperatura poate atinge sau depăși 50 °C (122 °F).
7. Nu incinerati cartușul acumulatorului chiar dacă acesta este grav deteriorat sau complet uzat. Cartușul acumulatorului poate exploda în foc.
8. Aveți grijă să nu scăpați sau să loviți acumulatorul.
9. Nu utilizați un acumulator deteriorat.
10. Acumulatorii Li-Ion încorporați se supun cerințelor Legiștilor privind substanțele periculoase. Pentru transporturi comerciale, efectuate de exemplu de către părți terțe, expeditori, trebuie respectate cerințele speciale de ambalare și etichetare. Pentru pregătirea articolului care urmează să fie expediat, este necesară consultarea unui expert în materiale periculoase. Vă rugăm să respectați, de asemenea, reglementările naționale, care pot fi mai detaliate. Izolați sau acoperiți contactele deschise și împachetați acumulatorul în așa fel încât să nu se poată mișca în ambalaj.
11. Respectați normele naționale privind eliminarea la deșeurile a acumulatorului.

PĂSTRAȚI ACESTE INSTRUCȚIUNI.

⚠️ AVERTIZARE: NU permiteți comodității și familiarizării cu produsul (obținute prin utilizare repetată) să înlocuiască respectarea strictă a normelor de securitate pentru acest produs. **FOLOSIREA INCORECTĂ** sau nerespectarea normelor de securitate din acest manual de instrucțiuni poate provoca vătămări corporale grave.

Instrucțiuni importante privind siguranța pentru cartușul acumulatorului

1. Înainte de a folosi cartușul acumulatorului, citiți toate instrucțiunile și atenționările de pe (1) încărcătorul acumulatorului, (2) acumulator și (3) produsul care folosește acumulatorul.
2. Nu dezmembrați cartușul acumulatorului.
3. Dacă timpul de funcționare s-a redus excesiv, întrerupeți imediat funcționarea. Aceasta poate prezenta risc de supraîncălzire, posibile arsuri și chiar explozie.
4. Dacă electrolitul pătrunde în ochi, clătiți bine ochii cu apă curată și consultați imediat un medic. Există risc de orbire.
1. Încărcați cartușul acumulatorului înainte de a se descărca complet. Întrerupeți întotdeauna funcționarea mașinii și încărcați cartușul acumulatorului când observați o scădere a puterii mașinii.
2. Nu reîncărcați niciodată un acumulator complet încărcat. Supraîncărcarea va scurta durata de exploatare a acumulatorului.
3. Încărcați cartușul acumulatorului la temperatura camerei, între 10 °C - 40 °C (50 °F - 104 °F). Lăsați un acumulator fierbinte să se răcească înainte de a-l încărca.
4. Încărcați cartușul acumulatorului în cazul în care nu a fost utilizat pe o perioadă mai lungă (mai mult de șase luni).

PĂSTRAȚI ACESTE INSTRUCȚIUNI.

⚠️ ATENȚIE: Folosiți numai acumulatori Makita originali. Acumulatorii Makita care nu sunt originali și acumulatorii care au suferit modificări se pot aprinde, provocând incendii, leziuni corporale și daune. De asemenea, anulează garanția oferită de Makita pentru unele și încercătorul Makita.

Sfaturi pentru obținerea unei durate maxime de exploatare a acumulatorului

DESCRIEREA FUNCȚIILOR

⚠️ ATENȚIE: Asigurați-vă întotdeauna că mașina este oprită și cartușul acumulatorului este scos înainte de a ajusta sau verifica funcționarea mașinii.

Instalarea sau scoaterea cartușului acumulatorului

⚠️ ATENȚIE: Opriti întotdeauna mașina înainte de montarea sau demontarea cartușului de acumulator.

⚠️ ATENȚIE: Țineți ferm mașina și cartușul acumulatorului la montarea sau demontarea cartușului. În cazul în care nu țineți ferm mașina și cartușul de acumulator, acestea vă pot aluneca din mâini, rezultând defectarea mașinii și cartușului de acumulator, precum și în accidentări personale.

► Fig.1: 1. Indicator roșu 2. Buton 3. Cartușul acumulatorului

Pentru a scoate cartușul acumulatorului, glisați-l din mașină în timp ce glisați butonul de pe partea frontală a cartușului.

Pentru a instala cartușul acumulatorului, aliniați limba de pe cartușul acumulatorului cu canelura din carcasă și introduceți-l în locaș. Introduceți-l complet, până când se închetează în locaș. Dacă puteți vedea indicatorul roșu din partea superioară a butonului, acesta nu este blocat complet.

⚠️ ATENȚIE: Instalați întotdeauna cartușul acumulatorului complet, până când indicatorul roșu nu mai este vizibil. În caz contrar, acesta poate cădea accidental din mașină provocând rănirea dumneavoastră sau a persoanelor din jur.

⚠️ ATENȚIE: Nu forțați cartușul acumulatorului la montare. Dacă acesta nu glisează ușor, înseamnă că a fost introdus incorect.

Indicarea capacității rămase a acumulatorului

Numai pentru cartușe de acumulator cu indicator

► Fig.2: 1. Lămpi indicatoare 2. Buton de verificare

Apăsați butonul de verificare de pe cartușul acumulatorului, astfel încât să se indice capacitățile rămase ale acumulatorului. Lămpile indicatorului vor lumina timp de câteva secunde.

Lămpi indicatoare			Capacitate rămasă
Iluminat	Oprit	Iluminare intermitentă	
■ ■ ■ ■			între 75% și 100%
■ ■ ■ □			între 50% și 75%
■ ■ □ □			între 25% și 50%
■ □ □ □			între 0% și 25%
▬ □ □ □			Încărcați acumulatorul.
■ ■ □ □			Este posibil ca acumulatorul să fie defect.
□ □ ■ ■	↑ ↓		

NOTĂ: În funcție de condițiile de utilizare și temperatura ambientală, indicația poate fi ușor diferită de capacitatea reală.

Sistem de protecție mașină/acumulator

Mașina este prevăzută cu un sistem de protecție mașină/acumulator. Acest sistem întrerupe automat alimentarea motorului pentru a extinde durata de funcționare a mașinii și acumulatorului. Mașina se va opri automat în timpul funcționării dacă mașina sau acumulatorul se află într-una din situațiile următoare:

Protecție la suprasarcină

Când acumulatorul este utilizat într-un mod care duce la un consum exagerat de curent, mașina se va opri automat, fără nicio indicație. În această situație, opriți mașina și aplicația care a dus la suprasolicitarea mașinii. Apoi, reporniți mașina.

Protecție la supraîncălzire

În momentul în care mașina sau bateria se supraîncălzeste, mașina se oprește automat și lampa luminează intermitent. În acest caz, lăsați mașina și acumulatorul să se răcească înainte de a reporni mașina.

Protecție la supradescărcare

Când capacitatea acumulatorului scade, unealta se oprește automat. În acest caz, scoateți acumulatorul din mașină și încărcați-l.

Aționarea întrerupătorului

Pentru a porni mașina, apăsați butonul de blocare/deblocare. Mașina intră în modul standby. Pentru a începe utilizarea mașinii, apăsați butonul de pornire/oprire în modul standby. Pentru a înceta utilizarea mașinii, apăsați din nou butonul de pornire/oprire. Mașina intră în modul standby. Pentru a opri mașina, apăsați butonul de blocare/deblocare în modul standby.

► Fig.3: 1. Buton de blocare/deblocare 2. Buton de pornire/oprire

NOTĂ: Dacă mașina este lăsată neutilizată timp de 10 secunde în modul standby, aceasta se oprește automat, iar lampa se stinge.

NOTĂ: De asemenea, puteți porni și opri mașina apăsând butonul de blocare/deblocare în timp ce mașina este în funcționare.

Aprinderea lămpii frontale

ATENȚIE: Nu priviți direct în raza sau în sursa de lumină.

Pentru a aprinde lampa, apăsați butonul de blocare/deblocare. Pentru a stinge lampa, apăsați din nou butonul de blocare/deblocare.

NOTĂ: În momentul în care mașina se supraîncălește, lampa luminează intermitent. Lăsați mașina să se răcească înainte de a folosi din nou mașina.

NOTĂ: Folosiți o lavetă uscată pentru a șterge murdăria de pe lentila lămpii. Aveți grijă să nu zgâriați lentila lămpii deoarece, în caz contrar, iluminarea va fi redusă.

Disc rotativ pentru reglarea vitezei

Viteza de rotație a mașinii poate fi schimbată rotind discul rotativ pentru reglarea vitezei. Tabelul de mai jos indică numărul de pe discul rotativ și viteza de rotație corespunzătoare.

► **Fig.4:** 1. Disc rotativ pentru reglarea vitezei

Număr	Viteză
1	10.000 min ⁻¹
2	15.000 min ⁻¹
3	20.000 min ⁻¹
4	25.000 min ⁻¹
5	30.000 min ⁻¹

NOTĂ: Dacă mașina este operată continuu la viteză mică timp îndelungat, motorul va fi supra-solicitat și mașina se va defecta.

NOTĂ: La momentul schimbării discului rotativ pentru viteză de pe „5” pe „1”, rotiți discul rotativ spre stânga. Nu rotiți discul rotativ spre dreapta în mod forțat.

Funcție electronică

Mașina este echipată cu funcții electronice pentru operare facilă.

- Control constant al vitezei
Funcția de control al vitezei furnizează viteza de rotație constantă indiferent de condițiile de sarcină.
- Pornire lină
Funcția de pornire lină minimizează șocul de pornire și permite o pornire lină a mașinii.

Reglarea adâncimii de tăiere

Pentru a regla adâncimea de tăiere, deschideți pârghia de blocare, apoi mutați talpa mașinii în sus sau în jos, rotind șurubul de reglare. După reglare, închideți ferm pârghia de blocare.

► **Fig.5:** 1. Pârghie de blocare 2. Șurub de reglare

NOTĂ: Dacă mașina nu este fixată după închiderea pârghiei de blocare, strângeți piulița hexagonală și apoi închideți pârghia de blocare.

► **Fig.6:** 1. Piuliță hexagonală

Reglarea adâncimii de reglare utilizând talpa de cuplare

Accesorii opționale

1. Amplasați mașina pe suprafața plană.
2. Selectați șurubul opritor rotind baza opritorului.
► **Fig.7:** 1. Șurub opritor 2. Baza opritorului
3. Slăbiți piulița de fixare a tije filetate opritoare, apoi trageți în sus tija filetată opritoare în timp ce apăsați butonul de alimentare.
► **Fig.8:** 1. Tijă filetată opritoare 2. Piuliță de fixare 3. Buton de alimentare
4. Împingeți în jos mașina până când vârful sculei de frezat atinge suprafața plată și apoi rotiți pârghia de fixare pentru a fixa mașina.
► **Fig.9:** 1. Pârghie de fixare 2. Sculă de frezat
5. Apăsați în jos tija filetată opritoare în timp ce apăsați butonul de alimentare, până când intră în contact cu șurubul opritor.
► **Fig.10:** 1. Tijă filetată opritoare 2. Șurub opritor 3. Buton de alimentare
6. Glisați indicatorul de adâncime astfel încât indicatorul să indice „0” pe scală.
► **Fig.11:** 1. Indicator de adâncime
7. Reglați adâncimea de tăiere trăgând în sus tija filetată opritoare în timp ce apăsați butonul de alimentare.
► **Fig.12:** 1. Tijă filetată opritoare 2. Buton de alimentare
8. Pentru a efectua un reglaj de precizie al adâncimii de tăiere, rotiți discul rotativ pe tija filetată opritoare astfel încât să indice „0”.
► **Fig.13:** 1. Selector
9. Rotiți capul tije filetate opritoare pentru a obține adâncimea dorită. Pentru a mări adâncimea, rotiți tija filetată spre stânga. Pentru a micșora adâncimea, rotiți tija filetată spre dreapta.
► **Fig.14:** 1. Capul tije filetate opritoare
10. Strângeți piulița de fixare a tije filetate opritoare.
► **Fig.15:** 1. Piuliță de fixare
11. Eliberați pârghia de fixare.
► **Fig.16:** 1. Pârghie de fixare

ASAMBLARE

⚠️ ATENȚIE: Asigurați-vă întotdeauna că mașina este oprită și cartușul acumulatorului este scos înainte de a executa orice lucrări la mașină.

Instalarea sau scoaterea sculei de frezat

NOTĂ: Nu strângeți piulița conului elastic fără a introduce freza. Conul elastic de strângere se poate rupe.

Introduceți scula de frezat până la capăt în conul elastic de strângere. Apăsați pârghia de blocare a axului și strângeți piulița conului elastic utilizând cheia sau strângeți fix piulița conului elastic utilizând cele două chei. Pentru a scoate mașina, urmați procedura de montare în ordine inversă.

- **Fig.17:** 1. Pârghie de blocare a axului
2. Deșurubare 3. Strângere 4. Cheie
5. Piuliță con elastic
- **Fig.18:** 1. Cheie 2. Deșurubare 3. Strângere
4. Piuliță con elastic

NOTĂ: Este posibil ca pârghia de blocare a axului să nu revină în poziția inițială atunci când strângeți piulița conului elastic la momentul instalării sculei de frezat. Pârghia de blocare a axului revine în poziția inițială atunci când porniți mașina.

- **Fig.19:** 1. Pârghie de blocare a axului

Montarea sau demontarea tălpii mașinii de frezat unimanuale

1. Deschideți pârghia de blocare a tălpii mașinii de frezat unimanuale, apoi introduceți mașina în talpa mașinii de frezat unimanuale aliniind canelura de pe mașină cu protuberanța de pe talpa mașinii de frezat unimanuale.

- **Fig.20:** 1. Pârghie de blocare

2. Închideți pârghia de blocare.

3. Atașați duza de praf la talpa mașinii de frezat unimanuale și apoi strângeți șurubul cu cap striat.

- **Fig.21:** 1. Duză de praf 2. Șurub cu cap striat
► **Fig.22**

Pentru a demonta talpa, executați în ordine inversă operațiile de montare.

⚠️ ATENȚIE: La momentul utilizării mașinii cu talpa mașinii de frezat, asigurați-vă că instalați întotdeauna duza de praf pe această talpă a mașinii de frezat.

Montarea sau demontarea tălpii de înclinare

Accesorii opționale

1. Deschideți pârghia de blocare a tălpii de înclinare, apoi introduceți mașina în talpa de înclinare aliniind canelura de pe unealtă cu protuberanța de pe talpa de înclinare.

- **Fig.23:** 1. Pârghie de blocare

2. Închideți pârghia de blocare.

Pentru a demonta talpa, executați în ordine inversă operațiile de montare.

Montarea sau demontarea tălpii cotite

Accesorii opționale

1. Apăsați pârghia de blocare a axului, apoi slăbiți piulița conului elastic.

- **Fig.24:** 1. Pârghie de blocare a axului 2. Piuliță con elastic 3. Cheie

2. Scoateți piulița conului elastic și conul elastic de strângere.

- **Fig.25:** 1. Piuliță con elastic 2. Con elastic de strângere

3. Montați roata de curea pe mașină apăsând pârghia de blocare a axului și strângând roata de transmisie cu cheia.

- **Fig.26:** 1. Cheie 2. Roată de curea 3. Pârghie de blocare a axului

4. Slăbiți șuruburile de la placa de bază și apoi scoateți placa de bază.

- **Fig.27:** 1. Placă de bază

5. Deschideți pârghia de blocare a tălpii cotite și apoi introduceți mașina în talpa cotită.

- **Fig.28:** 1. Pârghie de blocare

6. Montați cureaua la roata de curea rotind manual cureaua.

- **Fig.29:** 1. Roată de curea 2. Curea

7. Închideți pârghia de blocare.

- **Fig.30:** 1. Pârghie de blocare

8. Atașați placa de bază strângând șuruburile.

- **Fig.31:** 1. Placă de bază

9. Introduceți conul elastic de strângere și scula de frezat în talpa cotită și apoi strângeți piulița conului elastic.

- **Fig.32:** 1. Sculă de frezat 2. Piuliță con elastic
3. Con elastic de strângere

10. Introduceți cheia imbus în orificiul tălpii cotite și apoi strângeți piulița conului elastic utilizând cheia.

- **Fig.33:** 1. Piuliță con elastic 2. Cheie 3. Cheie imbus

Pentru a demonta talpa, executați în ordine inversă operațiile de montare.

NOTĂ: De asemenea, puteți monta cureaua la roata de curea fără a demonta placa de bază, după cum este indicat în figură.

- **Fig.34:** 1. Roată de curea 2. Curea

Montarea sau demontarea tălpii de cuplare

Accesorii opționale

1. Deschideți pârghia de blocare a tălpii de cuplare, apoi introduceți mașina în talpa de cuplare până la capăt, aliniind canelura de pe mașină cu protuberanța de pe talpa de cuplare.

- **Fig.35:** 1. Pârghie de blocare

2. Închideți pârghia de blocare.

Pentru a demonta talpa, executați în ordine inversă operațiile de montare.

Montarea sau demontarea riglei paralele pe talpa de cuplare

Accesorii opționale

Introduceți lamele de ghidare în orificiile tălpii de cuplare și apoi strângeți șuruburile-flutur. Pentru a demonta rigla, executați în ordine inversă operațiile de montare.

► **Fig.36:** 1. Șurub-flutur 2. Lamă de ghidare

Montarea sau demontarea duzei de praf pe talpa de cuplare

Introduceți duza de praf în talpa de cuplare astfel încât protuberanța de pe duza de praf să se potrivească în locașul din talpa de cuplare și apoi strângeți șurubul cu cap striat la duza de praf. Pentru a demonta duza, executați în ordine inversă operațiile de montare.

► **Fig.37:** 1. Proeminență 2. Duză de praf 3. Șurub cu cap striat

► **Fig.38**

OPERAREA

Utilizarea mașinii cu tala mașinii de frezat unimanuale

Așezați talpa mașinii pe piesa de prelucrat fără ca scula de frezat să intre în contact cu aceasta. Porniți mașina și așteptați ca freza să atingă viteza maximă. Deplasați mașina spre înainte peste suprafața piesei de prelucrat. Mențineți talpa mașinii la același nivel în timp ce deplasați mașina.

Atunci când tăiați marginea, asigurați-vă că mențineți suprafața din partea stângă a sculei de frezat în direcția de avans.

► **Fig.39**

NOTĂ: Înainte de a tăia piesa de prelucrat efectivă, se recomandă efectuarea unei tăieri de probă. Viteza de avans adecvată depinde de mărimea sculei de frezat, de tipul piesei de prelucrat și de adâncimea de tăiere. Un avans prea rapid al mașinii poate avea ca efect o calitate slabă a frezării sau avarierea frezei sau a motorului. Un avans prea lent al mașinii poate avea ca efect arderea și deteriorarea suprafeței de tăiere.

Când folosiți sabotul mașinii de frezat unimanuale, ghidajul drept sau ghidajul pentru frezare, aveți grijă să-l mențineți pe partea dreaptă, în direcția de avans. Acest lucru va ajuta la menținerea ghidajului aliniat cu marginea piesei de prelucrat.

► **Fig.40:** 1. Sculă de frezat 2. Piesă de prelucrat 3. Ghidaj drept

NOTĂ: Deoarece tăierea excesivă poate cauza suprasolicitarea motorului sau dificultăți în controlarea mașinii, adâncimea de tăiere nu trebuie să depășească 3 mm la o trecere, atunci când tăiați nuturi. Dacă doriți să tăiați nuturi la o adâncime mai mare de 3 mm, executați mai multe treceri, crescând progresiv adâncimea de tăiere a frezei profilate.

Utilizarea ghidajului drept

Accesorii opționale

1. Asamblați ghidajul drept cu bolțul și piulița-flutur.

► **Fig.41:** 1. Bolț 2. Piuliță-flutur

2. Atașați ghidajul drept la talpa mașinii de frezat unimanuale utilizând șurubul de strângere.

► **Fig.42:** 1. Șurub de strângere

3. Slăbiți piulița-flutur de pe ghidajul drept și reglați distanța dintre mașină și ghidajul drept. La distanța dorită, strângeți piulița-flutur.

► **Fig.43:** 1. Piuliță-flutur

4. Deplasați mașina cu ghidajul drept lipit de fața laterală a piesei de prelucrat.

► **Fig.44**

Dacă distanța (A) dintre fața laterală a piesei de prelucrat și poziția de tăiere este prea mare pentru ghidajul drept, sau dacă fața laterală a piesei de prelucrat nu este dreaptă, nu puteți folosi ghidajul drept.

În acest caz, fixați strâns o placă dreaptă pe piesă și folosiți-o pe post de ghidaj pentru talpa mașinii de frezat. Avansați mașina în direcția indicată de săgeată.

► **Fig.45**

Utilizarea ghidajului drept pentru lucrări circulare

Pentru lucrări circulare, asamblați ghidajele drepte după cum este prezentat în figuri. Razele minime și maxime ale cercurilor care pot fi tăiate (distanța dintre centrul cercului și centrul frezei) sunt următoarele:

- Minim: 70 mm
- Maxim: 221 mm

Pentru tăierea cercurilor cu raze cuprinse între 70 mm și 121 mm.

► **Fig.46:** 1. Gaură de centrare

Pentru tăierea cercurilor cu raze cuprinse între 121 mm și 221 mm.

► **Fig.47:** 1. Gaură de centrare

NOTĂ: Cercurile cu raze cuprinse între 172 mm și 186 mm nu pot fi tăiate folosind acest ghidaj.

Aliniați gaura de centrare din ghidajul drept cu centrul cercului care urmează a fi tăiat. Bateți un cui cu diametru mai mic de 6 mm în gaura de centrare pentru a fixa ghidajul drept. Pivotați mașina în jurul cuiului spre dreapta.

► **Fig.48:** 1. Cui 2. Gaură de centrare

Utilizarea ghidajului șablon

Accesorii opționale

Ghidajul șablon permite o tăiere repetată, cu tipare de șablon, prin utilizarea unui șablon.

1. Strângeți șuruburile de pe placa de bază și apoi scoateți placa de bază de la talpa mașinii de frezat unimanuale.

2. Amplasați ghidajul șablon pe talpă și apoi atașați placa de bază strângând șuruburile.

► **Fig.49:** 1. Placă de bază 2. Ghidaj șablon

3. Așezați mașina pe șablon și deplasați mașina glisând ghidajul șablon de-a lungul laturii șablonului.

► Fig.50

NOTĂ: Dimensiunea efectivă a tăierii pe piesa de prelucrat este ușor diferită de șablon. Diferența este distanța (X) dintre scula de frezat și exteriorul ghidajului șablon. Distanța (X) poate fi calculată folosind următoarea ecuație:

Distanța (X) = (diametrul exterior al ghidajului șablon - diametrul sculei de frezat) / 2

► Fig.51: 1. Sculă de frezat 2. Ghidaj șablon 3. Distanță (X) 4. Diametrul exterior al ghidajului șablon

Utilizarea ghidajului mașinii de frezat unimanuale

Accesorii opționale

Ghidajul mașinii de frezat unimanuale permite frezarea laturii curbate precum cea a placajelor pentru mobilă prin deplasarea rolei de ghidare de-a lungul laturii piesei de prelucrat.

► Fig.52

1. Slăbiți șurubul de strângere, apoi montați ghidajul mașinii de frezat unimanuale pe talpa mașinii de frezat unimanuale și apoi strângeți șurubul de strângere.

► Fig.53: 1. Șurub de strângere

2. Slăbiți șurubul de strângere (B) și reglați distanța dintre scula de frezat și ghidajul mașinii de frezat unimanuale prin rotirea șurubului de reglare (1 mm per rotire). La distanța dorită, strângeți șurubul de strângere pentru a fixa ghidajul mașinii de frezat unimanuale.

► Fig.54: 1. Șurub de reglare 2. Șurub de strângere

3. Deplasați mașina cu rola de ghidare în contact cu fața laterală a piesei de prelucrat.

► Fig.55: 1. Piesă de prelucrat 2. Cap de înșurubat 3. Rolă de ghidare

Utilizarea mașinii cu talpa de înclinare

Talpa de înclinare este convenabilă pentru șanfenrare. Slăbiți șuruburile-fluture, apoi înclinați mașina la unghiul dorit și apoi strângeți șuruburile-fluture.

Fixați strâns o placă dreaptă pe piesa de prelucrat și folosiți-o pe post de ghidaj pentru talpa de înclinare. Avansați mașina în direcția indicată de săgeată.

► Fig.56: 1. Șurub fluture

Utilizarea plăcii tăpii de înclinare cu talpa mașinii de frezat uni-manuale

Pentru a utiliza talpa mașinii de frezat unimanuale cu o placă de bază de formă pătrată, scoateți placa de bază din placa de înclinare și apoi atașați-o la talpa mașinii de frezat unimanuale.

► Fig.57: 1. Placă de talpă de înclinare 2. Placă de bază a mașinii de frezat unimanuale

Utilizarea mașinii cu talpa cotită

Talpa cotită este convenabilă pentru lucrul în zone strâmte, precum un colț.

► Fig.58

Utilizarea tăpii mașinii de frezat unimanuale cu placa de talpă cotită și mâner

Talpa cotită poate fi de asemenea utilizată cu o talpă de mașină de frezat unimanuală și un dispozitiv de atașare mâner (accessoriu opțional) pentru mai multă stabilitate.

1. Slăbiți șuruburile de pe placa de bază, apoi scoateți placa de bază de la talpa cotită.

► Fig.59: 1. Placă de talpă cotită 2. Placă de bază a mașinii de frezat unimanuale

2. Atașați placa de talpă cotită la placa mașinii de frezat unimanuale strângând șuruburile.

3. Atașați dispozitivul de atașare mâner și mânerul tip lamă la placa de talpă cotită strângând șuruburile.

► Fig.60: 1. Mâner tip lamă 2. Dispozitiv de atașare mâner

Mânerul tip buton scos din talpa de cuplare poate fi montat pe placa cotită în locul mânerului tip buton.

► Fig.61: 1. Șurub 2. Mâner tip buton

Utilizarea mașinii cu talpa de cuplare

Țineți întotdeauna ferm mânerul cu ambele mâini în timpul utilizării. Operați mașina în același mod ca placa mașinii de frezat unimanuale.

Utilizarea ghidajului drept

Accesorii opționale

1. Montați ghidajul drept la suportul de ghidare strângând piulița-fluture. Introduceți suportul de ghidare în orificiile tăpii de cuplare și apoi strângeți bolțurile fluture.

► Fig.62: 1. Șurub-fluture 2. Suportul ghidajului 3. Piuliță-fluture 4. Ghidaj drept

2. Slăbiți piulița-fluture de pe ghidajul drept și reglați distanța dintre mașină și ghidajul drept. La distanța dorită, strângeți piulița-fluture.

► Fig.63: 1. Piuliță-fluture

3. Operați mașina în același mod ca ghidajul drept pentru placa mașinii de frezat unimanuale.

► Fig.64

Utilizarea ghidajului șablon

Accesorii opționale

1. Slăbiți șuruburile de pe talpă și scoateți-le. Așezați ghidajul șablon pe talpă și apoi strângeți șuruburile.

► Fig.65: 1. Șurub 2. Ghidaj șablon

2. Operați mașina în același mod ca ghidajul șablon pentru placa mașinii de frezat unimanuale.

► Fig.66

Utilizarea riglei paralele

Rigla paralelă se folosește efectiv pentru tăieri drepte la șanfenare sau nutuire. Reglați distanța dintre freză și rigla paralelă. La distanța dorită, strângeți șuruburile-flutire pentru a fixa rigla paralelă. Când frezați, deplasați mașina cu rigla paralelă lipită de fața laterală a piesei de prelucrat.

► Fig.67

Dacă distanța (A) dintre fața laterală a piesei de prelucrat și poziția de tăiere este prea mare pentru rigla paralelă, sau dacă fața laterală a piesei de prelucrat nu este dreaptă, nu puteți folosi rigla paralelă.

În acest caz, fixați strâns o placă dreaptă pe piesă și folosiți-o pe post de ghidaj pentru talpa de cuplare. Avansați mașina în direcția indicată de săgeată.

► Fig.68

Schimbarea mânerului tip buton în mâner tip lamă

Pentru a monta mânerul tip lamă pe talpa de cuplare, slăbiți șurubul mânerului tip buton, apoi scoateți mânerul tip buton și apoi montați mânerul tip lamă prin strângere.

► Fig.69: 1. Mâner tip buton 2. Șurub 3. Mâner tip lamă

ÎNTREȚINERE

ATENȚIE: Asigurați-vă întotdeauna că mașina este oprită și cartușul acumulatorului scos înainte de a executa lucrările de inspecție și întreținere.

NOTĂ: Nu utilizați niciodată gazolină, benzină, diluant, alcool sau alte substanțe asemănătoare. În caz contrar, pot rezulta decolorări, deformări sau fisuri.

Pentru a menține SIGURANȚA și FIABILITATEA produsului, reparațiile și orice alte lucrări de întreținere sau reglare trebuie executate de centre de service Makita autorizate sau proprii, folosind întotdeauna piese de schimb Makita.

ACCESORII OPȚIONALE

ATENȚIE: Folosiți accesoriile sau piesele auxiliare recomandate pentru mașina dumneavoastră Makita în acest manual. Utilizarea oricăror alte accesorii sau piese auxiliare poate prezenta risc de vătămare corporală. Utilizați accesoriile și piesele auxiliare numai în scopul destinat.

Dacă aveți nevoie de asistență sau de mai multe detalii referitoare la aceste accesorii, adresați-vă centrului local de service Makita.

- Freze profilate drepte și pentru nuturi
- Freze profilate pentru muchii
- Freze pentru decuparea laminatelor
- Ansamblu ghidaj drept
- Ansamblu ghidaj pentru frezare
- Ansamblu talpă mașină de frezat
- Ansamblu talpă de înclinare
- Ansamblu talpă de cuplare
- Ansamblu talpă cotită
- Dispozitiv de atașare mâner
- Ghidaj șablon
- Con elastic de 6 mm
- Con elastic de 6,35 mm (1/4")
- Con elastic de 8 mm
- Con elastic de 9,53 mm (3/8")
- Cheie de 13
- Cheie de 22

NOTĂ: Unele articole din listă pot fi incluse ca accesorii standard în ambalajul de scule. Acestea pot diferi în funcție de țară.

Scule de frezat

Freză dreaptă

► Fig.70

	D	A	L1	L2
20	6	20	50	15
20E	1/4"			
8	8	8	60	25
8	6			
8E	1/4"			
6	6	6	50	18
6E	1/4"			

Unitate: mm

Freză pentru nuturi „U”

► Fig.71

	D	A	L1	L2	R
6	6	6	50	18	3
6E	1/4"				

Unitate: mm

Freză pentru nuturi „V”

► Fig.72

D	A	L1	L2	θ
1/4"	20	50	15	90°

Unitate: mm

Freză pentru decupare plană cu vârș de burghiu

► Fig.73

	D	A	L1	L2	L3
8	8	8	60	20	35
6	6	6		18	28
6E	1/4"				

Unitate: mm

Freză pentru decupare plană cu vârș de burghiu cu canal dublu

► Fig.74

	D	A	L1	L2	L3	L4
8	8	8	80	95	20	25
6	6	6	70	40	12	14
6E	1/4"					

Unitate: mm

Freză de rotunjit muchii

► Fig.75

	D	A1	A2	L1	L2	L3	R
8R	6	25	9	48	13	5	8
8RE	1/4"						
4R	6	20	8	45	10	4	4
4RE	1/4"						

Unitate: mm

Teșitor

► Fig.76

D	A	L1	L2	L3	θ
6	23	46	11	6	30°
6	20	50	13	5	45°
6	20	49	14	2	60°

Unitate: mm

Freză de fâltuit convexă

► Fig.77

D	A	L1	L2	R
6	20	43	8	4
6	25	48	13	8

Unitate: mm

Freză pentru decupare plană cu rulment

► Fig.78

D	A	L1	L2
6	10	50	20
1/4"			

Unitate: mm

Freză de rotunjit muchii cu rulment

► Fig.79

D	A1	A2	L1	L2	L3	R
6	15	8	37	7	3,5	3
6	21		40	10		
1/4"						

Unitate: mm

Teșitor cu rulment

► Fig.80

D	A1	A2	L1	L2	θ
6	26	8	42	12	45°
1/4"					
6	20		41	11	60°

Unitate: mm

Freză de fâltuit cu rulment

► Fig.81

D	A1	A2	A3	L1	L2	L3	R
6	20	12	8	40	10	5,5	4
6	26			42	12	4,5	7

Unitate: mm

Freză de fâltuit convexă cu rulment

► Fig.82

D	A1	A2	A3	A4	L1	L2	L3	R
6	20	18	12	8	40	10	5,5	3
6	26	22			42	12	5	5

Unitate: mm

Freză profilată cu rulment

► Fig.83

D	A1	A2	L1	L2	L3	R1	R2
6	20	8	40	10	4,5	2,5	4,5
6	26		42	12		3	6

Unitate: mm

TECHNISCHE DATEN

Modell:	DRT50
Spannzangenfutterkapazität	6 mm, 8 mm, 1/4" oder 3/8"
Leerlaufdrehzahl	10.000 - 30.000 min ⁻¹
Gesamtlänge	226 mm
Nennspannung	18 V Gleichstrom
Standard-Akku	BL1815N / BL1820 / BL1820B / BL1830 / BL1830B / BL1840 / BL1840B / BL1850 / BL1850B / BL1860B
Nettogewicht	1,8 - 2,1 kg

- Wir behalten uns vor, Änderungen der technischen Daten im Zuge der Entwicklung und des technischen Fortschritts ohne vorherige Ankündigung vorzunehmen.
- Die technischen Daten und der Akku können von Land zu Land unterschiedlich sein.
- Das Gewicht kann abhängig von dem Aufsatz (den Aufsätzen), einschließlich des Akkus, unterschiedlich sein. Die leichteste und die schwerste Kombination, gemäß dem EPTA-Verfahren 01/2014, sind in der Tabelle angegeben.

Vorgesehene Verwendung

Das Werkzeug ist zum Bündigfräsen und Profildrehen von Holz, Kunststoff und ähnlichen Materialien vorgesehen.

Geräusch

Typischer A-bewerteter Geräuschpegel ermittelt gemäß EN60745:

Schalldruckpegel (L_{pA}): 78 dB (A)

Messunsicherheit (K): 3 dB (A)

⚠️ WARNUNG: Einen Gehörschutz tragen.

Schwingungen

Schwingungsgesamtwert (Drei-Achsen-Vektorsumme) ermittelt gemäß EN60745:

Arbeitsmodus: Drehung ohne Last

Schwingungsemission (a_w): 2,5 m/s² oder weniger

Messunsicherheit (K): 1,5 m/s²

Arbeitsmodus: Nutenfräsen in MDF

Schwingungsemission (a_w): 4,5 m/s²

Messunsicherheit (K): 1,5 m/s²

HINWEIS: Der angegebene

Schwingungsemissionswert wurde im Einklang mit der Standardprüfmethode gemessen und kann für den Vergleich zwischen Werkzeugen herangezogen werden.

HINWEIS: Der angegebene

Schwingungsemissionswert kann auch für eine Vorbewertung des Gefährdungsgrads verwendet werden.

⚠️ WARNUNG: Die Schwingungsemission während der tatsächlichen Benutzung des Elektrowerkzeugs kann je nach der Benutzungsweise des Werkzeugs vom angegebenen Emissionswert abweichen.

⚠️ WARNUNG: Identifizieren Sie Sicherheitsmaßnahmen zum Schutz des Benutzers anhand einer Schätzung des Gefährdungsgrads unter den tatsächlichen Benutzungsbedingungen (unter Berücksichtigung aller Phasen des Arbeitszyklus, wie z. B. Ausschalt- und Leerlaufzeiten des Werkzeugs zusätzlich zur Betriebszeit).

EG-Konformitätserklärung

Nur für europäische Länder

Die EG-Konformitätserklärung ist als Anhang A in dieser Bedienungsanleitung enthalten.

SICHERHEITSWARNUNGEN

Allgemeine Sicherheitswarnungen für Elektrowerkzeuge

⚠️ WARNUNG: Lesen Sie alle mit diesem Elektrowerkzeug gelieferten Sicherheitswarnungen, Anweisungen, Abbildungen und technischen Daten durch. Eine Missachtung der unten aufgeführten Anweisungen kann zu einem elektrischen Schlag, Brand und/oder schweren Verletzungen führen.

Bewahren Sie alle Warnungen und Anweisungen für spätere Bezugnahme auf.

Der Ausdruck „Elektrowerkzeug“ in den Warnhinweisen bezieht sich auf Ihr mit Netzstrom (mit Kabel) oder Akku (ohne Kabel) betriebenes Elektrowerkzeug.

Sicherheitswarnungen für Akku-Multifunktionsfräse

1. Halten Sie das Elektrowerkzeug an den isolierten Griffflächen, weil die Gefahr besteht, dass der Fräser verborgene Kabel kontaktiert. Bei Kontakt mit einem Strom führenden Kabel werden die freiliegenden Metallteile des Elektrowerkzeugs ebenfalls Strom führend, so dass der Benutzer einen elektrischen Schlag erleiden kann.
2. Verwenden Sie Klemmen oder eine andere praktische Methode, um das Werkstück auf einer stabilen Unterlage zu sichern und abzustützen. Wenn Sie das Werkstück nur mit der Hand oder gegen Ihren Körper halten, befindet es sich in einer instabilen Lage, die zum Verlust der Kontrolle führen kann.
3. Tragen Sie bei längeren Betriebszeitspannen einen Gehörschutz.
4. Behandeln Sie die Fräserensätze mit größter Sorgfalt.
5. Überprüfen Sie den Fräserensatz vor dem Betrieb sorgfältig auf Risse oder Beschädigung. Wechseln Sie einen gerissenen oder beschädigten Einsatz unverzüglich aus.
6. Vermeiden Sie das Schneiden von Nägeln. Untersuchen Sie das Werkstück sorgfältig auf Nägel, und entfernen Sie diese vor der Bearbeitung.
7. Halten Sie das Werkzeug mit festem Griff.
8. Halten Sie Ihre Hände von rotierenden Teilen fern.
9. Vergewissern Sie sich vor dem Einschalten des Werkzeugs, dass der Fräserensatz nicht das Werkstück berührt.
10. Lassen Sie das Werkzeug vor der eigentlichen Bearbeitung eines Werkstücks eine Weile laufen. Achten Sie auf Vibrationen oder Taumelbewegungen, die auf einen falsch montierten Einsatz hindeuten können.
11. Achten Sie sorgfältig auf die Drehrichtung und die Vorschubrichtung des Fräserensatzes.
12. Lassen Sie das Werkzeug nicht unbeaufsichtigt laufen. Benutzen Sie das Werkzeug nur im handgeführten Einsatz.
13. Schalten Sie das Werkzeug stets aus, und warten Sie, bis der Fräserensatz zum vollständigen Stillstand kommt, bevor Sie ihn aus dem Werkstück herausnehmen.
14. Vermeiden Sie eine Berührung des Fräserensatzes unmittelbar nach der Bearbeitung, weil er dann noch sehr heiß ist und Hautverbrennungen verursachen kann.
15. Beschmieren Sie die Grundplatte nicht achtlos mit Verdünner, Benzin, Öl oder dergleichen. Diese Stoffe können Risse in der Grundplatte verursachen.
16. Verwenden Sie Fräserensätze mit korrektem Schaftdurchmesser, die für die Drehzahl des Werkzeugs geeignet sind.

17. Manche Materialien können giftige Chemikalien enthalten. Treffen Sie Vorsichtsmaßnahmen, um das Einatmen von Arbeitsstaub und Hautkontakt zu verhindern. Befolgen Sie die Sicherheitsdaten des Materiallieferanten.
18. Verwenden Sie stets die korrekte Staubschutz-/Atemmaske für das jeweilige Material und die Anwendung.

DIESE ANWEISUNGEN AUFBEWAHREN.

⚠️ WARNUNG: Lassen Sie sich NICHT durch Bequemlichkeit oder Vertrautheit mit dem Produkt (durch wiederholten Gebrauch erworben) von der strikten Einhaltung der Sicherheitsregeln für das vorliegende Produkt abhalten. MISSBRAUCH oder Missachtung der Sicherheitsvorschriften in dieser Anleitung können schwere Personenschäden verursachen.

Wichtige Sicherheitsanweisungen für Akku

1. Lesen Sie vor der Benutzung des Akkus alle Anweisungen und Warnhinweise, die an (1) Ladegerät, (2) Akku und (3) Akkuwerkzeug angebracht sind.
2. Unterlassen Sie ein Zerlegen des Akkus.
3. Falls die Betriebszeit beträchtlich kürzer geworden ist, stellen Sie den Betrieb sofort ein. Anderenfalls besteht die Gefahr von Überhitzung, möglichen Verbrennungen und sogar einer Explosion.
4. Falls Elektrolyt in Ihre Augen gelangt, waschen Sie sie mit sauberem Wasser aus, und begeben Sie sich unverzüglich in ärztliche Behandlung. Anderenfalls können Sie Ihre Sehkraft verlieren.
5. Der Akku darf nicht kurzgeschlossen werden:
 - (1) Die Kontakte dürfen nicht mit leitfähigem Material berührt werden.
 - (2) Lagern Sie den Akku nicht in einem Behälter zusammen mit anderen Metallgegenständen, wie z. B. Nägel, Münzen usw.
 - (3) Setzen Sie den Akku weder Wasser noch Regen aus.Ein Kurzschluss des Akkus verursacht starken Stromfluss, der Überhitzung, mögliche Verbrennungen und einen Defekt zur Folge haben kann.
6. Lagern Sie das Werkzeug und den Akku nicht an Orten, an denen die Temperatur 50 °C erreichen oder überschreiten kann.
7. Versuchen Sie niemals, den Akku zu verbrennen, selbst wenn er stark beschädigt oder vollkommen verbraucht ist. Der Akku kann im Feuer explodieren.
8. Achten Sie darauf, dass der Akku nicht fallen gelassen oder Stößen ausgesetzt wird.
9. Benutzen Sie keine beschädigten Akkus.

10. **Die enthaltenen Lithium-Ionen-Akkus unterliegen den Anforderungen der Gefahrgut-Gesetzgebung.**
Für kommerzielle Transporte, z. B. durch Dritte oder Spediteure, müssen besondere Anforderungen zu Verpackung und Etikettierung beachtet werden.
Zur Vorbereitung des zu transportierenden Artikels ist eine Beratung durch einen Experten für Gefahrgut erforderlich. Bitte beachten Sie möglicherweise ausführlichere nationale Vorschriften. Überkleben oder verdecken Sie offene Kontakte, und verpacken Sie den Akku so, dass er sich in der Verpackung nicht umher bewegen kann.
11. **Befolgen Sie die örtlichen Bestimmungen bezüglich der Entsorgung von Akkus.**

DIESE ANWEISUNGEN AUFBEWAHREN.

⚠ VORSICHT: Verwenden Sie nur Original-Makita-Akkus. Die Verwendung von Nicht-Original-Makita-Akkus oder von Akkus, die abgeändert worden sind, kann zum Bersten des Akkus und daraus resultierenden Bränden, Personenschäden und Beschädigung führen. Außerdem wird dadurch die Makita-Garantie für das Makita-Werkzeug und -Ladegerät ungültig.

Hinweise zur Aufrechterhaltung der maximalen Akku-Nutzungsdauer

1. **Laden Sie den Akku, bevor er vollkommen erschöpft ist. Schalten Sie das Werkzeug stets aus, und laden Sie den Akku, wenn Sie ein Nachlassen der Werkzeugleistung feststellen.**
2. **Unterlassen Sie erneutes Laden eines voll aufgeladenen Akkus. Überladen führt zu einer Verkürzung der Nutzungsdauer des Akkus.**
3. **Laden Sie den Akku bei Raumtemperatur zwischen 10 – 40 °C. Lassen Sie einen heißen Akku abkühlen, bevor Sie ihn laden.**
4. **Der Akku muss geladen werden, wenn er lange Zeit (länger als sechs Monate) nicht benutzt wird.**

FUNKTIONSBESCHREIBUNG

⚠ VORSICHT: Vergewissern Sie sich vor der Durchführung von Einstellungen oder Funktionsprüfungen des Werkzeugs stets, dass das Werkzeug ausgeschaltet und der Akku abgenommen ist.

Anbringen und Abnehmen des Akkus

⚠ VORSICHT: Schalten Sie das Werkzeug stets aus, bevor Sie den Akku anbringen oder abnehmen.

⚠ VORSICHT: Halten Sie das Werkzeug und den Akku beim Anbringen oder Abnehmen des Akkus sicher fest. Wenn Sie das Werkzeug und den Akku nicht sicher festhalten, können sie Ihnen aus der Hand rutschen, was zu einer Beschädigung des Werkzeugs und des Akkus und zu Körperverletzungen führen kann.

► **Abb.1:** 1. Rote Anzeige 2. Knopf 3. Akku

Ziehen Sie den Akku zum Abnehmen vom Werkzeug ab, während Sie den Knopf an der Vorderseite des Akkus verschieben.

Richten Sie zum Anbringen des Akkus dessen Führungsfeder auf die Nut im Gehäuse aus, und schieben Sie den Akku hinein. Schieben Sie ihn vollständig ein, bis er mit einem hörbaren Klicken einrastet. Falls die rote Anzeige an der Oberseite des Knopfes sichtbar ist, ist der Akku nicht vollständig verriegelt.

⚠ VORSICHT: Schieben Sie den Akku stets bis zum Anschlag ein, bis die rote Anzeige nicht mehr sichtbar ist. Anderenfalls kann er aus dem Werkzeug herausfallen und Sie oder umstehende Personen verletzen.

⚠ VORSICHT: Unterlassen Sie Gewaltanwendung beim Anbringen des Akkus. Falls der Akku nicht reibungslos hineingleitet, ist er nicht richtig ausgerichtet.

Anzeigen der Akku-Restkapazität

Nur für Akkus mit Anzeige

► **Abb.2:** 1. Anzeigelampen 2. Prüftaste

Drücken Sie die Prüftaste am Akku, um die Akku-Restkapazität anzuzeigen. Die Anzeigelampen leuchten wenige Sekunden lang auf.

Anzeigelampen			Restkapazität
Erleuchtet	Aus	Blinkend	
■	□	▧	75 % bis 100 %
■ ■ ■ ■			50% bis 75%
■ ■	□ □		25% bis 50%
■	□ □ □ □		0% bis 25%
▧	□ □ □ □		Den Akku aufladen.
■ ■ □ □	□ □		Möglicherweise liegt eine Funktionsstörung im Akku vor.
□ □ ■ ■		↑ ↓	

HINWEIS: Abhängig von den Benutzungsbedingungen und der Umgebungstemperatur kann die Anzeige geringfügig von der tatsächlichen Kapazität abweichen.

Werkzeug/Akku-Schutzsystem

Das Werkzeug ist mit einem Werkzeug/Akku-Schutzsystem ausgestattet. Dieses System schaltet die Stromversorgung des Motors automatisch ab, um die Lebensdauer von Werkzeug und Akku zu verlängern. Das Werkzeug bleibt während des Betriebs automatisch stehen, wenn das Werkzeug oder der Akku einer der folgenden Bedingungen unterliegt:

Überlastschutz

Wird der Akku auf eine Weise benutzt, die eine ungewöhnlich hohe Stromaufnahme bewirkt, bleibt das Werkzeug ohne jegliche Anzeige automatisch stehen. Schalten Sie in dieser Situation das Werkzeug aus, und brechen Sie die Arbeit ab, die eine Überlastung des Werkzeugs verursacht hat. Schalten Sie dann das Werkzeug wieder ein, um es neu zu starten.

Überhitzungsschutz

Wenn das Werkzeug oder der Akku überhitzt wird, bleibt das Werkzeug automatisch stehen, und die Lampe beginnt zu blinken. Lassen Sie das Werkzeug und den Akku in diesem Fall abkühlen, bevor Sie das Werkzeug wieder einschalten.

Überentladungsschutz

Wenn die Akkukapazität unzureichend wird, bleibt das Werkzeug automatisch stehen. Nehmen Sie in diesem Fall den Akku vom Werkzeug ab, und laden Sie ihn auf.

Schalterfunktion

Drücken Sie zum Einschalten des Werkzeugs die Ver-/Entriegelungstaste. Das Werkzeug wird in den Bereitschaftsmodus versetzt. Drücken Sie zum Starten des Werkzeugs die Start/Stopp-Taste im Bereitschaftsmodus. Zum Stoppen des Werkzeugs drücken Sie die Start/Stopp-Taste erneut. Das Werkzeug wird in den Bereitschaftsmodus versetzt. Drücken Sie zum Ausschalten des Werkzeugs die Ver-/Entriegelungstaste im Bereitschaftsmodus.

► **Abb.3:** 1. Ver-/Entriegelungstaste 2. Start/Stopp-Taste

HINWEIS: Bleibt das Werkzeug etwa 10 Sekunden lang ohne Bedienung im Bereitschaftsmodus, schaltet es sich automatisch aus, und die Lampe erlischt.

HINWEIS: Sie können das Werkzeug auch anhalten und ausschalten, indem Sie die Ver-/Entriegelungstaste während des Betriebs des Werkzeugs drücken.

Einschalten der Frontlampe

⚠ VORSICHT: Blicken Sie nicht direkt in die Lampe oder die Lichtquelle.

Zum Einschalten der Lampe drücken Sie die Ver-/Entriegelungstaste. Zum Ausschalten der Lampe drücken Sie die Ver-/Entriegelungstaste erneut.

ANMERKUNG: Bei Überhitzung des Werkzeugs blinkt die Lampe. Lassen Sie das Werkzeug vollständig abkühlen, bevor Sie es wieder in Betrieb nehmen.

HINWEIS: Wischen Sie Schmutz auf der Lampenlinse mit einem trockenen Tuch ab. Achten Sie sorgfältig darauf, dass Sie die Lampenlinse nicht verkratzen, weil sich sonst die Lichtstärke verringert.

Drehzahl-Stellrad

Die Drehzahl des Werkzeugs kann durch Drehen des Drehzahl-Stellrads geändert werden. Die nachstehende Tabelle gibt die Drehzahlen an, die den Nummern auf dem Stellrad entsprechen.

► **Abb.4:** 1. Drehzahl-Stellrad

Nummer	Drehzahl
1	10.000 min ⁻¹
2	15.000 min ⁻¹
3	20.000 min ⁻¹
4	25.000 min ⁻¹
5	30.000 min ⁻¹

ANMERKUNG: Wird das Werkzeug über längere Zeitspannen im Dauerbetrieb mit niedriger Drehzahl betrieben, führt das zu einer Überlastung des Motors, die eine Funktionsstörung des Werkzeugs zur Folge haben kann.

ANMERKUNG: Um das Drehzahl-Stellrad von „5“ bis „1“ zu verstellen, drehen Sie das Stellrad entgegen dem Uhrzeigersinn. Drehen Sie das Stellrad nicht gewaltsam im Uhrzeigersinn.

Elektronikfunktionen

Das Werkzeug ist für komfortablen Betrieb mit Elektronikfunktionen ausgestattet.

- Konstantdrehzahlregelung
Die Drehzahlregelungsfunktion liefert eine konstante Drehzahl ungeachtet der Lastbedingungen.
- Sanftanlauf
Die Sanftanlauf-Funktion reduziert Anlaufstöße auf ein Minimum und bewirkt ruckfreies Anlaufen des Werkzeugs.

Einstellen der Frästiefe

Zum Einstellen der Frästiefe öffnen Sie den Spannhebel, und verstellen Sie dann die Grundplatte durch Drehen der Einstellschraube nach oben oder unten. Denken Sie daran, den Spannhebel nach der Einstellung wieder einwandfrei zu schließen.

► **Abb.5:** 1. Spannhebel 2. Einstellschraube

ANMERKUNG: Wenn das Werkzeug nicht gesichert ist, obwohl der Spannhebel angezogen ist, ziehen Sie die Sechskantmutter an, und schließen Sie dann den Spannhebel.

► **Abb.6:** 1. Sechskantmutter

Einstellen der Frästiefe mit dem Eintauch-Fräskorb

Sonderzubehör

1. Stellen Sie das Werkzeug auf eine ebene Fläche.

2. Wählen Sie die Anschlagsschraube durch Drehen der Anschlagbasis aus.

► **Abb.7:** 1. Anschlagsschraube 2. Anschlagbasis

3. Lösen Sie die Anschlagstangen-Feststellmutter, und ziehen Sie dann die Anschlagstange hoch, während Sie den Vorschubknopf drücken.

► **Abb.8:** 1. Anschlagstange 2. Feststellmutter 3. Vorschubknopf

4. Drücken Sie das Werkzeug nach unten, bis die Spitze des Fräseinsatzes die ebene Fläche berührt, und drehen Sie dann den Fixierhebel zum Sichern des Werkzeugs.

► **Abb.9:** 1. Fixierhebel 2. Fräseinsatz

5. Drücken Sie die Anschlagstange nach unten, während Sie den Vorschubknopf hineindrücken, bis sie die Anschlagsschraube berührt.

► **Abb.10:** 1. Anschlagstange 2. Anschlagsschraube 3. Vorschubknopf

6. Verschieben Sie den Tiefenzeiger, so dass der Zeiger auf „0“ an der Skala zeigt.

► **Abb.11:** 1. Tiefenzeiger

7. Stellen Sie die Frästiefe durch Hochziehen der Anschlagstange ein, während Sie den Vorschubknopf drücken.

► **Abb.12:** 1. Anschlagstange 2. Vorschubknopf

8. Um eine Feineinstellung der Frästiefe durchzuführen, drehen Sie das Einstellrad an der Anschlagstange, so dass es „0“ anzeigt.

► **Abb.13:** 1. Einstellrad

9. Drehen Sie den Kopf der Anschlagstange, um die gewünschte Tiefe zu erhalten. Zum Vergrößern der Tiefe drehen Sie den Kopf entgegen dem Uhrzeigersinn. Zum Verringern der Tiefe drehen Sie den Kopf im Uhrzeigersinn.

► **Abb.14:** 1. Kopf der Anschlagstange

10. Ziehen Sie die Anschlagstangen-Feststellmutter an.

► **Abb.15:** 1. Feststellmutter

11. Lösen Sie den Fixierhebel.

► **Abb.16:** 1. Fixierhebel

MONTAGE

⚠VORSICHT: Vergewissern Sie sich vor der Ausführung von Arbeiten am Werkzeug stets, dass das Werkzeug ausgeschaltet und der Akku abgenommen ist.

Montage und Demontage des Fräseinsatzes

ANMERKUNG: Ziehen Sie die Spannzangenmutter nicht ohne eingefügten Einsatz an. Andernfalls kann der Spannzangenkonus brechen.

Führen Sie den Fräseinsatz bis zum Anschlag in den Spannzangenkonus ein. Drücken Sie die Spindelarretierung, und ziehen Sie die Spannzangenmutter mit dem Schraubenschlüssel an, oder ziehen Sie die Spannzangenmutter mit den beiden Schraubenschlüsseln sicher fest. Zum Abnehmen des Einsatzes wenden Sie das Montageverfahren umgekehrt an.

► **Abb.17:** 1. Spindelarretierung 2. Lösen 3. Anziehen 4. Schraubenschlüssel 5. Spannzangenmutter

► **Abb.18:** 1. Schraubenschlüssel 2. Lösen 3. Anziehen 4. Spannzangenmutter

HINWEIS: Die Spindelarretierung kehrt u. U. nicht auf die Ausgangsposition zurück, wenn Sie die Spannzangenmutter bei der Installation des Fräseinsatzes anziehen. Die Spindelarretierung kehrt auf die Ausgangsposition zurück, wenn Sie das Werkzeug starten.

► **Abb.19:** 1. Spindelarretierung

Montieren und Demontieren des Fräskorbs

1. Öffnen Sie den Spannhebel des Fräskorbs, und führen Sie dann das Werkzeug in den Fräskorb ein, wobei Sie die Führungsnut des Werkzeugs auf den Vorsprung am Fräskorb ausrichten.

► **Abb.20:** 1. Spannhebel

2. Schließen Sie den Spannhebel.

3. Bringen Sie den Absaugstutzen am Fräskorb an, und ziehen Sie dann die Rändelschraube an.

► **Abb.21:** 1. Absaugstutzen 2. Rändelschraube

► **Abb.22**

Zum Abnehmen des Fräskorbs wenden Sie das Montageverfahren umgekehrt an.

⚠VORSICHT: Wenn Sie das Werkzeug mit dem Fräskorb benutzen, bringen Sie unbedingt den Absaugstutzen am Fräskorb an.

Montieren und Demontieren des Winkelfräskorbs

Sonderzubehör

1. Öffnen Sie den Spannhebel des Winkelfräskorbs, und führen Sie dann das Werkzeug in den Winkelfräskorb ein, wobei Sie die Führungsnut des Werkzeugs auf den Vorsprung am Winkelfräskorb ausrichten.

► **Abb.23:** 1. Spannhebel

2. Schließen Sie den Spannhebel.

Zum Abnehmen des Fräskorbs wenden Sie das Montageverfahren umgekehrt an.

Montieren und Demontieren des Offset-Fräskorbs

Sonderzubehör

1. Drücken Sie die Spindelarretierung, und lösen Sie dann die Spannzangenmutter.

► **Abb.24:** 1. Spindelarretierung
2. Spannzangenmutter
3. Schraubenschlüssel

2. Entfernen Sie die Spannzangenmutter und den Spannzangenkonus.

► **Abb.25:** 1. Spannzangenmutter
2. Spannzangenkonus

3. Montieren Sie die Riemenscheibe am Werkzeug, indem Sie die Spindelarretierung drücken und die Riemenscheibe mit dem Schraubenschlüssel anziehen.

► **Abb.26:** 1. Schraubenschlüssel 2. Riemenscheibe
3. Spindelarretierung

4. Lösen Sie die Schrauben an der Grundplatte, und nehmen Sie dann die Grundplatte ab.

► **Abb.27:** 1. Grundplatte

5. Öffnen Sie den Spannhebel des Offset-Fräskorbs, und führen Sie dann das Werkzeug in den Offset-Fräskorb ein.

► **Abb.28:** 1. Spannhebel

6. Montieren Sie den Riemen an der Riemenscheibe, indem Sie den Riemen von Hand drehen.

► **Abb.29:** 1. Riemenscheibe 2. Riemen

7. Schließen Sie den Spannhebel.

► **Abb.30:** 1. Spannhebel

8. Befestigen Sie die Grundplatte durch Anziehen der Schrauben.

► **Abb.31:** 1. Grundplatte

9. Führen Sie den Spannzangenkonus und den Fräseinsatz in den Offset-Fräskorb ein, und ziehen Sie dann die Spannzangenmutter an.

► **Abb.32:** 1. Fräseinsatz 2. Spannzangenmutter
3. Spannzangenkonus

10. Führen Sie den Inbusschlüssel in die Öffnung des Offset-Fräskorbs ein, und ziehen Sie dann die Spannzangenmutter mit dem Schraubenschlüssel an.

► **Abb.33:** 1. Spannzangenmutter
2. Schraubenschlüssel 3. Inbusschlüssel

Zum Abnehmen des Fräskorbs wenden Sie das Montageverfahren umgekehrt an.

HINWEIS: Sie können den Riemen auch an der Riemenscheibe montieren, ohne die Grundplatte zu entfernen, wie in der Abbildung gezeigt.

► **Abb.34:** 1. Riemenscheibe 2. Riemen

Montieren und Demontieren des Eintauch-Fräskorbs

Sonderzubehör

1. Öffnen Sie den Spannhebel des Eintauch-Fräskorbs, und führen Sie dann das Werkzeug bis zum Anschlag in den Eintauch-Fräskorb ein, wobei Sie die Führungsnut des Werkzeugs auf den Vorsprung am Eintauch-Fräskorb ausrichten.

► **Abb.35:** 1. Spannhebel

2. Schließen Sie den Spannhebel.

Zum Abnehmen des Fräskorbs wenden Sie das Montageverfahren umgekehrt an.

Montieren und Demontieren der Parallelführung am Eintauch-Fräskorb

Sonderzubehör

Führen Sie die Führungsstangen in die Löcher des Eintauch-Fräskorbs ein, und ziehen Sie dann die Flügelschrauben an. Zum Abnehmen des Lineals wenden Sie das Montageverfahren umgekehrt an.

► **Abb.36:** 1. Flügelschraube 2. Führungsstange

Montieren und Demontieren des Absaugstutzens am Eintauch-Fräskorb

Führen Sie den Absaugstutzen so in den Eintauch-Fräskorb ein, dass der Vorsprung am Absaugstutzen in der Kerbe des Eintauch-Fräskorbs sitzt, und ziehen Sie dann die Rändelschraube am Absaugstutzen an. Zum Abnehmen des Absaugstutzens wenden Sie das Montageverfahren umgekehrt an.

► **Abb.37:** 1. Vorsprung 2. Absaugstutzen
3. Rändelschraube

► **Abb.38**

BETRIEB

Verwendung des Werkzeugs mit dem Fräskorb

Setzen Sie die Grundplatte auf das Werkstück auf, ohne dass der Fräseinsatz mit dem Werkstück in Berührung kommt. Schalten Sie das Werkzeug ein, und warten Sie, bis der Fräseinsatz die volle Drehzahl erreicht hat. Schieben Sie das Werkzeug über die Werkstückoberfläche vorwärts. Halten Sie die Grundplatte bündig, während Sie das Werkzeug vorschieben. Halten Sie die Werkstückoberfläche zum Schneiden der Kante auf der linken Seite des Fräseinsatzes in der Vorschubrichtung.

► **Abb.39**

HINWEIS: Bevor Sie das eigentliche Werkstück schneiden, wird empfohlen, einen Probeschnitt zu machen. Die korrekte Vorschubgeschwindigkeit hängt von der Größe des Fräseinsatzes, der Art des Werkstücks und der Frästiefe ab. Zu schnelles Vorschieben des Werkzeugs kann schlechte Schnittqualität oder Beschädigung des Fräasers oder Motors zur Folge haben. Zu langsames Vorschieben des Werkzeugs kann Verbrennung oder Beschädigung der Schnittfläche zur Folge haben.

Wenn Sie den Führungsschuh, die Geradföhrung oder die Fräsenföhrung verwenden, halten Sie die Vorrichtung auf der rechten Seite in Vorschubrichtung. Dies trägt dazu bei, sie bündig mit der Seite des Werkstücks zu halten.

► **Abb.40:** 1. Fräseinsatz 2. Werkstück
3. Geradföhrung

ANMERKUNG: Da übermäßiges Fräsen eine Überlastung des Motors oder schwierige Kontrolle des Werkzeugs verursachen kann, sollte die Frästiefe beim Nutenfräsen nicht mehr als 3 mm pro Durchgang betragen. Wenn Sie Nuten von mehr als 3 mm Tiefe fräsen wollen, föhren Sie mehrere Durchgänge mit zunehmend tieferen Fräseinstellungen aus.

Verwendung der Geradföhrung

Sonderzubehöhr

1. Bauen Sie die Geradföhrung mit der Schraube und der Flügelmutter zusammen.
► **Abb.41:** 1. Schraube 2. Flügelmutter
2. Befestigen Sie die Geradföhrung mit der Klemmschraube am Fräskorb.
► **Abb.42:** 1. Klemmschraube
3. Lösen Sie die Flügelmutter an der Geradföhrung, und stellen Sie den Abstand zwischen Fräseinsatz und Geradföhrung ein. Ziehen Sie die Flügelmutter im gewünschten Abstand an.
► **Abb.43:** 1. Flügelmutter
4. Schieben Sie das Werkzeug so vor, dass die Geradföhrung an der Seite des Werkstücks anliegt.
► **Abb.44**

Falls der Abstand (A) zwischen der Seite des Werkstücks und der Fräseposition zu breit für die Geradföhrung ist, oder die Seite des Werkstücks nicht gerade ist, kann die Geradföhrung nicht benutzt werden.

Klemmen Sie in diesem Fall ein gerades Brett am Werkstück fest, und benutzen Sie dieses als Führung gegen die Grundplatte der Einhandfräse. Schieben Sie das Werkzeug in Pfeilrichtung vor.

► **Abb.45**

Verwendung der Geradföhrung für Kreisschnitte

Bauen Sie die Geradföhrung für Kreisschnitte so zusammen, wie in den Abbildungen gezeigt. Die minimalen und maximalen Radien der zu schneidenden Kreise (Abstand zwischen Kreismitte und Fräseinsatzmitte) sind wie folgt:

- Minimum: 70 mm
- Maximum: 221 mm

Zum Schneiden von Kreisen mit einem Radius zwischen 70 mm und 121 mm

► **Abb.46:** 1. Mittelloch

Zum Schneiden von Kreisen mit einem Radius zwischen 121 mm und 221 mm

► **Abb.47:** 1. Mittelloch

HINWEIS: Kreise mit einem Radius zwischen 172 mm und 186 mm können nicht mit dieser Führung geschnitten werden.

Richten Sie das Mittelloch in der Geradföhrung auf die Mitte des zu schneidenden Kreises aus. Schlagen Sie einen Nagel von weniger als 6 mm Durchmesser in das Mittelloch, um die Geradföhrung zu sichern. Drehen Sie das Werkzeug im Uhrzeigersinn um den Nagel.

► **Abb.48:** 1. Nagel 2. Mittelloch

Verwendung der Schablonenföhrung

Sonderzubehöhr

Die Schablonenföhrung ermöglicht wiederholtes Fräsen mit Schablonenmustern durch Verwendung einer Schablone.

1. Lösen Sie die Schrauben an der Grundplatte, und nehmen Sie dann die Grundplatte vom Fräskorb ab.
2. Setzen Sie die Schablonenföhrung auf den Fräskorb, und befestigen Sie dann die Grundplatte durch Anziehen der Schrauben.
► **Abb.49:** 1. Grundplatte 2. Schablonenföhrung
3. Setzen Sie das Werkzeug auf die Schablone, und bewegen Sie das Werkzeug so, dass die Schablonenföhrung entlang der Seitenkante der Schablone gleitet.
► **Abb.50**

HINWEIS: Die tatsächliche Schnittgröße auf dem Werkstück weicht geringfügig von der Schablone ab. Die Differenz ist der Abstand (X) zwischen dem Fräseinsatz und der Außenseite der Schablonenföhrung. Der Abstand (X) kann mit der folgenden Gleichung berechnet werden:

Abstand (X) = (Außendurchmesser der Schablonenföhrung - Fräseinsatzdurchmesser) / 2

► **Abb.51:** 1. Fräseinsatz 2. Schablonenföhrung
3. Abstand (X) 4. Außendurchmesser der Schablonenföhrung

Verwendung der Fräsenführung

Sonderzubehör

Die Fräsenführung ermöglicht Trimmen von gekrümmten Seiten, wie bei Furnieren für Möbel, durch Bewegen der Führungsrolle entlang der Seite des Werkstücks.

► Abb.52

1. Lösen Sie die Klemmschraube, montieren Sie die Fräsenführung am Fräskorb, und ziehen Sie dann die Klemmschraube an.

► Abb.53: 1. Klemmschraube

2. Lösen Sie die Klemmschraube, und stellen Sie den Abstand zwischen dem Fräseinsatz und der Fräsenführung durch Drehen der Einstellschraube ein (1 mm pro Umdrehung). Ziehen Sie die Klemmschraube am gewünschten Abstand fest, um die Fräsenführung zu sichern.

► Abb.54: 1. Einstellschraube 2. Klemmschraube

3. Schieben Sie das Werkzeug so vor, dass die Führungsrolle an der Seite des Werkstücks anliegt.

► Abb.55: 1. Werkstück 2. Einsatz 3. Führungsrolle

Verwendung des Werkzeugs mit dem Winkelfräskorb

Der Winkelfräskorb ist praktisch zum Anfasen. Lösen Sie die Flügelschrauben, neigen Sie dann das Werkzeug auf den gewünschten Winkel, und ziehen Sie dann die Flügelschrauben an.

Klemmen Sie ein gerades Brett am Werkstück fest, und benutzen Sie dieses als Führung gegen den Winkelfräskorb. Schieben Sie das Werkzeug in Pfeilrichtung vor.

► Abb.56: 1. Flügelschraube

Verwendung der Winkelgrundplatte mit dem Fräskorb

Um den Fräskorb mit einer quadratischen Grundplatte zu benutzen, entfernen Sie die Grundplatte vom Winkelfräskorb, und befestigen Sie sie dann am Fräskorb.

► Abb.57: 1. Winkelgrundplatte 2. Fräsergrundplatte

Verwendung des Werkzeugs mit dem Offset-Fräskorb

Der Offset-Fräskorb eignet sich für Arbeiten in engen Bereichen, wie z. B. Ecken.

► Abb.58

Verwendung des Fräskorbs mit der Offset-Grundplatte und dem Griff

Für größere Stabilität kann die Offset-Grundplatte auch mit einem Fräskorb und einem Griffaufsatz (Sonderzubehör) verwendet werden.

1. Lösen Sie die Schrauben an der Grundplatte, und nehmen Sie dann die Grundplatte vom Offset-Fräskorb ab.

► Abb.59: 1. Offset-Grundplatte 2. Fräsergrundplatte

2. Befestigen Sie die Offset-Grundplatte durch Anziehen der Schrauben am Fräskorb.

3. Befestigen Sie den Griffaufsatz und den Stangengriff durch Anziehen der Schrauben an der Offset-Grundplatte.

► Abb.60: 1. Stangengriff 2. Griffaufsatz

Anstelle des Stangengriffs kann der vom Eintauch-Fräskorb entfernte Knaufgriff am Offset-Fräskorb montiert werden.

► Abb.61: 1. Schraube 2. Knaufgriff

Verwendung des Werkzeugs mit dem Eintauch-Fräskorb

Halten Sie die Griffe während der Arbeit immer mit beiden Händen fest. Betätigen Sie das Werkzeug auf die gleiche Weise wie mit dem Fräskorb.

Verwendung der Geradführung

Sonderzubehör

1. Montieren Sie die Geradführung durch Anziehen der Flügelmutter am Führungshalter. Führen Sie den Führungshalter in die Löcher des Eintauch-Fräskorbs ein, und ziehen Sie dann die Flügelschrauben an.

► Abb.62: 1. Flügelschraube 2. Führungshalter 3. Flügelmutter 4. Geradführung

2. Lösen Sie die Flügelmutter an der Geradführung, und stellen Sie den Abstand zwischen Fräseinsatz und Geradführung ein. Ziehen Sie die Flügelmutter im gewünschten Abstand an.

► Abb.63: 1. Flügelmutter

3. Betätigen Sie das Werkzeug auf die gleiche Weise wie mit der Geradführung für den Fräskorb.

► Abb.64

Verwendung der Schablonenführung

Sonderzubehör

1. Lösen und entfernen Sie die Schrauben an der Grundplatte. Setzen Sie die Schablonenführung auf die Grundplatte, und ziehen Sie dann die Schrauben an.

► Abb.65: 1. Schraube 2. Schablonenführung

2. Betätigen Sie das Werkzeug auf die gleiche Weise wie mit der Schablonenführung für den Fräskorb.

► Abb.66

Verwendung der Parallelführung

Die Parallelführung ist effektiv, um gerade Schnitte beim Anfasen oder Rillenfräsen auszuführen. Stellen Sie den Abstand zwischen Einsatz und Parallelführung ein. Ziehen Sie die Flügelschrauben am gewünschten Abstand fest, um die Parallelführung zu sichern. Schieben Sie das Werkzeug beim Fräsen so vor, dass die Parallelführung an der Seite des Werkstücks anliegt.

► Abb.67

Falls der Abstand (A) zwischen der Seite des Werkstücks und der Fräseposition zu breit für die Parallelführung ist, oder die Seite des Werkstücks nicht gerade ist, kann die Parallelführung nicht benutzt werden.

Klemmen Sie in diesem Fall ein gerades Brett am Werkstück fest, und benutzen Sie dieses als Führung gegen den Eintauch-Fräskorb. Schieben Sie das Werkzeug in Pfeilrichtung vor.

► Abb.68

Austauschen des Knaufgriffs gegen den Stangengriff

Um den Stangengriff am Eintauch-Fräskorb zu montieren, lösen Sie die Schraube des Knaufgriffs, nehmen Sie dann den Knaufgriff ab, und montieren Sie den Stangengriff durch Festziehen der Schraube.
► Abb.69: 1. Knaufgriff 2. Schraube 3. Stangengriff

WARTUNG

⚠ VORSICHT: Vergewissern Sie sich vor der Durchführung von Inspektions- oder Wartungsarbeiten stets, dass das Werkzeug ausgeschaltet und der Akku abgenommen ist.

ANMERKUNG: Verwenden Sie auf keinen Fall Benzin, Waschbenzin, Verdünnern, Alkohol oder dergleichen. Solche Mittel können Verfärbung, Verformung oder Rissbildung verursachen.

Um die SICHERHEIT und ZUVERLÄSSIGKEIT dieses Produkts zu gewährleisten, sollten Reparaturen und andere Wartungs- oder Einstellarbeiten nur von Makita-Vertragswerkstätten oder Makita-Kundendienstzentren unter ausschließlicher Verwendung von Makita-Originalersatzteilen ausgeführt werden.

SONDERZUBEHÖR

⚠ VORSICHT: Die folgenden Zubehörteile oder Vorrichtungen werden für den Einsatz mit dem in dieser Anleitung beschriebenen Makita-Werkzeug empfohlen. Die Verwendung anderer Zubehörteile oder Vorrichtungen kann eine Verletzungsgefahr darstellen. Verwenden Sie Zubehörteile oder Vorrichtungen nur für ihren vorgesehenen Zweck.

Wenn Sie weitere Einzelheiten bezüglich dieser Zubehörteile benötigen, wenden Sie sich bitte an Ihre Makita-Kundendienststelle.

- Gerad- und Nutenfräser
- Kantenfräser
- Laminatfräser
- Geradföhrung
- Fräsenföhrung
- Fräskorb
- Winkelfräskorb
- Eintauch-Fräskorb
- Offset-Fräskorb
- Griffaufsatz
- Schablonenföhrung
- Spannzangenkonus 6 mm
- Spannzangenkonus 6,35 mm (1/4")
- Spannzangenkonus 8 mm
- Spannzangenkonus 9,53 mm (3/8")
- Schraubenschlüssel 13
- Schraubenschlüssel 22

HINWEIS: Manche Teile in der Liste können als Standardzubehöhr im Werkzeugsatz enthalten sein. Sie können von Land zu Land unterschiedlich sein.

Fräserereinsätze

Geradfräser

► Abb.70

	D	A	L1	L2
20	6	20	50	15
20E	1/4"			
8	8	8	60	25
8	6		50	18
8E	1/4"			
6	6	6	50	18
6E	1/4"			

Einheit: mm

„U“-Nutenfräser

► Abb.71

	D	A	L1	L2	R
6	6	6	50	18	3
6E	1/4"				

Einheit: mm

„V“-Nutenfräser

► Abb.72

D	A	L1	L2	θ
1/4"	20	50	15	90°

Einheit: mm

Bohrspitzen-Bündigfräser

► Abb.73

	D	A	L1	L2	L3
8	8	8	60	20	35
6	6			18	28
6E	1/4"	6			

Einheit: mm

Bohrspitzen-Doppelbündigfräser

► Abb.74

	D	A	L1	L2	L3	L4
8	8	8	80	95	20	25
6	6					
6E	1/4"					

Einheit: mm

Eckenrundungsfräser

► Abb.75

	D	A1	A2	L1	L2	L3	R
8R	6	25	9	48	13	5	8
8RE	1/4"						
4R	6	20	8	45	10	4	4
4RE	1/4"						

Einheit: mm

Fasenfräser**► Abb.76**

D	A	L1	L2	L3	θ
6	23	46	11	6	30°
6	20	50	13	5	45°
6	20	49	14	2	60°

Einheit: mm

Hohlkehlen-Abrundfräser**► Abb.77**

D	A	L1	L2	R
6	20	43	8	4
6	25	48	13	8

Einheit: mm

Kugellager-Bündigfräser**► Abb.78**

D	A	L1	L2
6	10	50	20
1/4"			

Einheit: mm

Kugellager-Eckenrundungsfräser**► Abb.79**

D	A1	A2	L1	L2	L3	R
6	15	8	37	7	3,5	3
6	21		40	10		6
1/4"						

Einheit: mm

Kugellager-Fasenfräser**► Abb.80**

D	A1	A2	L1	L2	θ
6	26	8	42	12	45°
1/4"					
6	20		41	11	60°

Einheit: mm

Kugellager-Abrundfräser**► Abb.81**

D	A1	A2	A3	L1	L2	L3	R
6	20	12	8	40	10	5,5	4
6	26			42	12	4,5	7

Einheit: mm

Kugellager-Hohlkehlen-Abrundfräser**► Abb.82**

D	A1	A2	A3	A4	L1	L2	L3	R
6	20	18	12	8	40	10	5,5	3
6	26	22			42	12	5	5

Einheit: mm

Kugellager-Kamies-Profilfräser**► Abb.83**

D	A1	A2	L1	L2	L3	R1	R2
6	20	8	40	10	4,5	2,5	4,5
6	26		42	12		3	6

Einheit: mm

Makita Europe N.V. Jan-Baptist Vinkstraat 2,
3070 Kortenberg, Belgium

Makita Corporation 3-11-8, Sumiyoshi-cho,
Anjo, Aichi 446-8502 Japan

www.makita.com

885585-978 EN, PL, HU, SK, CS, UK, RO, DE 20170214
