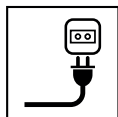


SGT 350  
SGT 600**STIGA**<sup>®</sup>

- IT** **Tagliaerba/tagliabordi elettrico portatile**  
MANUALE DI ISTRUZIONI  
ATTENZIONE: prima di usare la macchina, leggere attentamente il presente libretto.
- BG** **преносими електрически тревен тример/тример**  
УПЪТВАНЕ ЗА УПОТРЕБА  
ВНИМАНИЕ: преди да използвате машината прочетете внимателно настоящата книжка.
- CS** **Přenosný elektrický vyžinač/ořezávač okrajů trávníku**  
NÁVOD K POUŽITÍ  
UPOZORNĚNÍ: před použitím stroje si pozorně přečtete tento návod k použití.
- DA** **Bærbar elektrisk græstrimmer/kantklipper**  
BRUGSANVISNING  
ADVARSEL: læs instruktionsbogen omhyggeligt igennem, før du tager denne maskine i brug.
- DE** **Handgehaltener elektrischer Rasentrimmer/Rasenkantenschneider**  
GEBRAUCHSANWEISUNG  
ACHTUNG: vor Inbetriebnahme des Geräts die Gebrauchsanleitung aufmerksam lesen.
- EL** **φορητό ηλεκτρικό χλοοκοπτικό / κόφτης άκρων**  
ΟΔΗΓΙΕΣ ΧΡΗΣΗΣ  
ΠΡΟΣΟΧΗ: πριν χρησιμοποιήσετε το μηχάνημα, διαβάστε προσεκτικά το παρόν εγχειρίδιο.
- EN** **Electrically powered hand-held lawn trimmer / lawn edge trimmer**  
OPERATOR'S MANUAL  
WARNING: read thoroughly the instruction booklet before using the machine.
- ES** **Cortacésped/cortabordes con alimentación por batería portátil**  
MANUAL DE INSTRUCCIONES  
ATENCIÓN: antes de utilizar la máquina, leer atentamente el presente manual.
- ET** **Kaasaskantav elektriline murulõikur/äärelõikur**  
KASUTUSJUHEND  
TÄHELEPANU: enne masina kasutamist lugeda tähelepanelikult antud kasutusjuhendit.
- FI** **Käsin kannateltava sähkökäyttöinen ruohonleikkuri/nurmikon**  
reunojen viimeistelyleikkuri  
KÄYTTÖOHJEET  
VAROITUS: lue käyttöopas huolellisesti ennen koneen käyttöä.
- FR** **Coupe-gazon / coupe-bordures électriques portatifs**  
MANUEL D'UTILISATION  
ATTENTION: lire attentivement le manuel avant d'utiliser cette machine.
- HR** **Prijenosni električni šišač trave/šišač travnih rubova**  
PRIRUČNIK ZA UPORABU  
POZOR: prije uporabe stroja, pažljivo pročitate ovaj priručnik.
- HU** **Hordozható elektromos fűnyíró/szegélynyíró**  
HASZNÁLATI UTASÍTÁS  
FIGYELEM! a gép használatá előtt olvassa el figyelmesen a jelen kézikönyvet.
- LT** **Rankinė elektrinė vejapjovė -trimeris vejos kraštams**  
NAUDOJIMO INSTRUKCIJOS  
DĖMESIO: prieš naudojant įrenginį, atidžiai perskaityti šį naudotojo vadovą.
- LV** **No elektrotīkla darbināma rokā turama zālienu plaujmašīna /**  
zālienu apmaļu plaujmašīna  
LIETOŠANAS INSTRUKCIJA  
UZMANĪBU: pirms aparāta lietošanai rūpīgi izlasiet doto instrukciju.
- MK** **Електричен преносен поткаструвач**  
УПАТСТВА ЗА УПОТРЕБА  
ВНИМАНИЕ: прочитајте го внимателно ова упатство пред да ја користите машината.
- NL** **Draagbare elektrische grasmaaier/graskantenrijder**  
GEBRUIKERSHANDLEIDING  
LET OP: vooraleer de machine te gebruiken, dient men deze handleiding aandachtig te lezen.

**NO** Bærbar elektrisk drevet plen- og kantrimmer  
INSTRUKSJONSBOK

ADVARSEL: les denne bruksanvisningen nøye før du bruker maskinen.

**PL** Przenośna podcinarka/przycinarka elektryczna  
INSTRUKCJE OBSŁUGI

OSTRZEŻENIE: przed użyciem maszyny, należy uważnie przeczytać niniejszą instrukcję.

**PT** Aparador de relva/aparador de canto portátil eléctrico  
MANUAL DE INSTRUÇÕES

ATENÇÃO: antes de usar a máquina, leia atentamente o presente manual.

**RO** Maşină de tuns iarba/maşină de tuns margini de gazon electrică  
portabilă  
MANUAL DE INSTRUCȚIUNI

ATENȚIE: înainte de a utiliza maşina, citiți cu atenție manualul de față.

**RU** Портативная электрическая газонокосилка / триммер для  
краев газона  
РУКОВОДСТВО ПО ЭКСПЛУАТАЦИИ

ВНИМАНИЕ: прежде чем пользоваться оборудованием, внимательно прочтите это руководство по эксплуатации.

**SL** Prenosni električni obrezovalnik trat / tratnih robov  
PRIROČNIK ZA UPORABO

POZOR: preden uporabite stroj, pazljivo preberite priročnik z navodili.

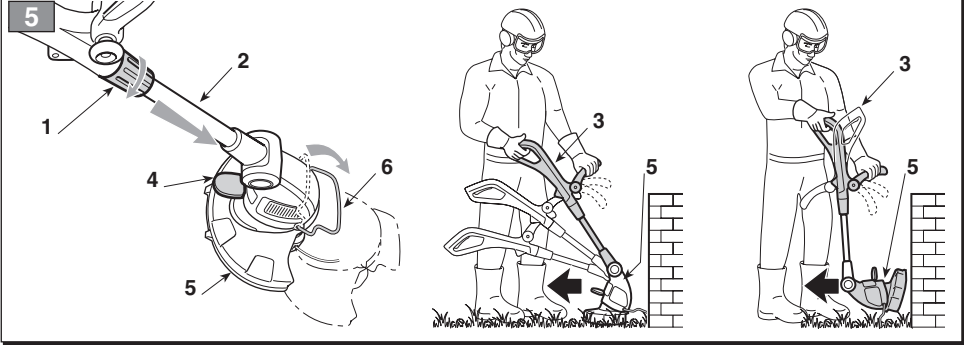
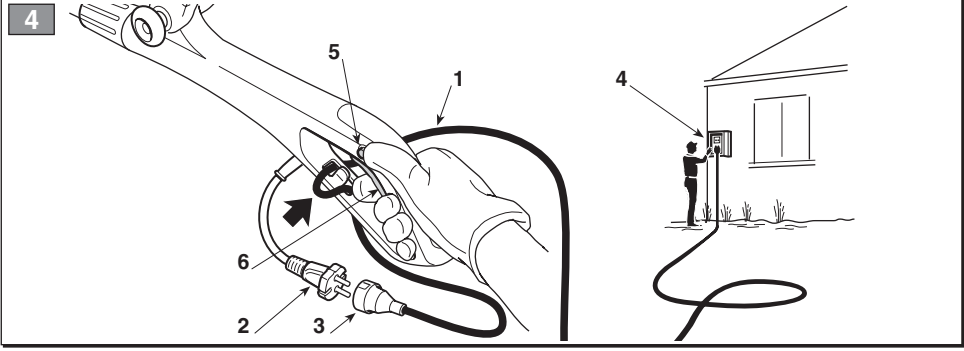
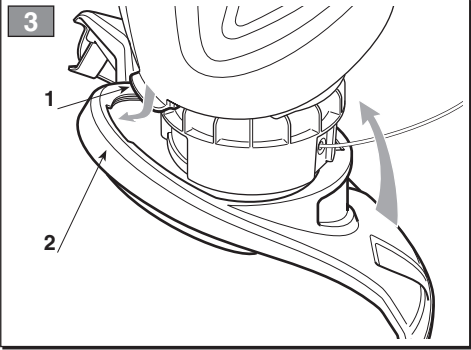
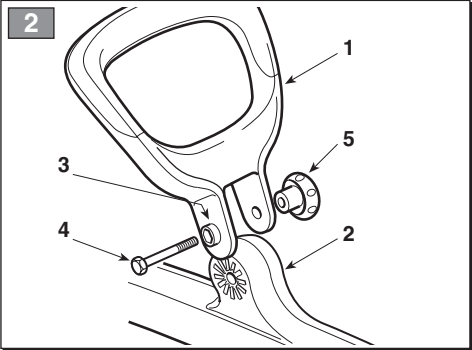
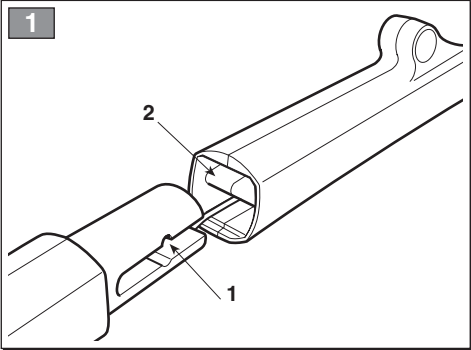
**SV** Eldriven bärbar gräsklippare/kantskärare  
BRUKSANVISNING

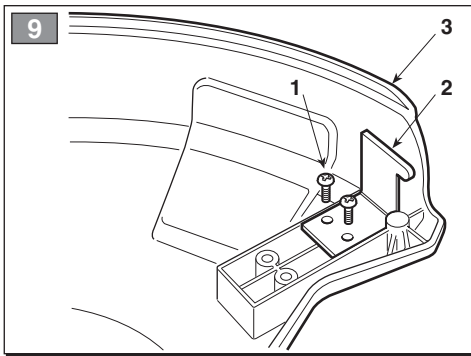
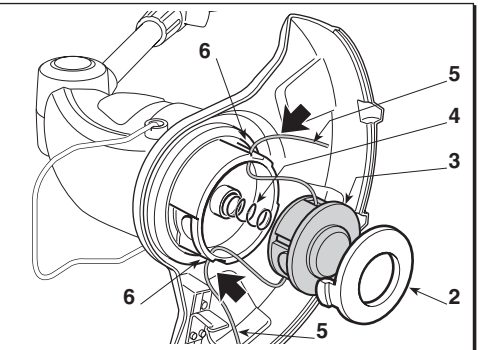
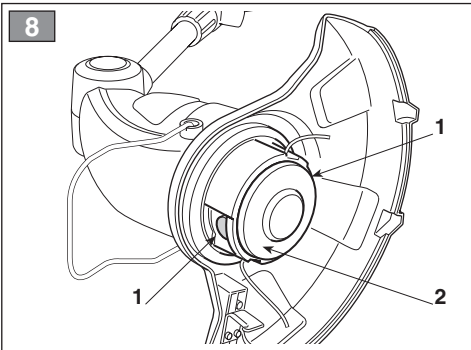
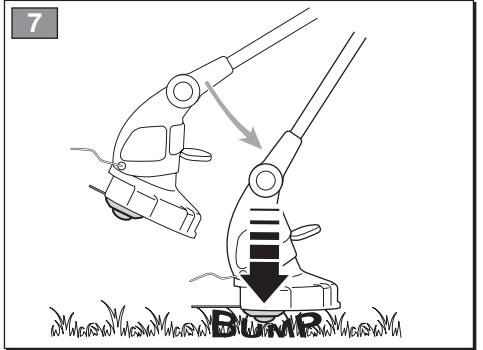
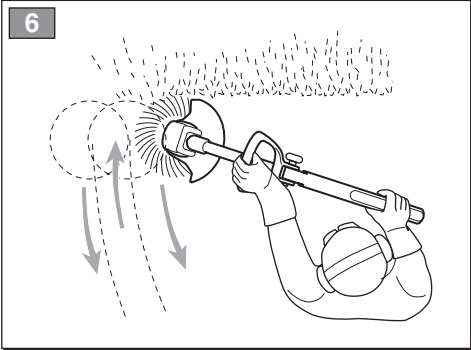
VARNING: läs igenom hela detta häfte innan du använder maskinen.

**TR** Elektrikli elde taşınabilir çim/kenar kesme makinesi  
KULLANIM KILAVUZU

DİKKAT: makineyi kullanmadan önce talimatlar içeren kilavuzu dikkatle okuyun.

ITALIANO - Istruzioni Originali .....	IT
БЪЛГАРСКИ - Инструкция за експлоатация .....	BG
ČESKY - Překlad původního návodu k používání .....	CS
DANSK - Oversættelse af den originale brugsanvisning .....	DA
DEUTSCH - Übersetzung der Originalbetriebsanleitung .....	DE
ΕΛΛΗΝΙΚΑ - Μετάφραση του πρωτοτύπου των οδηγιών χρήσης .....	EL
ENGLISH - Translation of the original instructions .....	EN
ESPAÑOL - Traducción del Manual Original .....	ES
EESTI - Algupärased kasutusjuhendi tõlge .....	ET
SUOMI - Alkuperäisten ohjeiden käännös .....	FI
FRANÇAIS - Traduction de la notice originale .....	FR
HRVATSKI - Prijevod originalnih uputa .....	HR
MAGYAR - Eredeti használati utasítás fordítása .....	HU
LIETUVIŠKAI - Originalių instrukcijų vertimas .....	LT
LATVIEŠU - Instrukciju tulkojums no oriģinālvalodas .....	LV
МАКЕДОНСКИ - Превод на оригиналните упатства .....	MK
NEDERLANDS - Vertaling van de oorspronkelijke gebruiksaanwijzing .....	NL
NORSK - Oversettelse av original bruksanvisning .....	NO
POLSKI - Tłumaczenie instrukcji oryginalnej .....	PL
PORTUGUÊS - Tradução do manual original .....	PT
ROMÂN - Traducerea manualului fabricantului .....	RO
РУССКИЙ - Перевод оригинальных инструкций .....	RU
SLOVENŠČINA - Prevod izvirnih navodil .....	SL
SVENSKA - Översättning av bruksanvisning i original .....	SV
TÜRKÇE - Orijinal Talimatların Tercümesi .....	TR







Dear Customer,

thank you for choosing one of our products. We hope that you will be completely satisfied with this machine and that it fully meets your expectations. This manual has been compiled in order to provide you with all the information you need to get acquainted with the machine and use it safely and efficiently. Don't forget that it is an integral part of the machine; keep it handy so that it can be consulted when necessary, and pass it on to a further user if you resell or loan the machine.

Your new machine has been designed and manufactured in pursuance with current regulations, and is safe and reliable if used in compliance with the instructions provided in this manual (proper use). Using the machine in any other way, or non-compliance with the safety specifications relative to use, maintenance and repair is considered "improper use" which will invalidate the warranty, relieve the manufacturer from all liabilities, and the user will consequently be liable for all and any damage or injury to himself or others.

For this electric tool, the company provides the end user - independently from the retailer's obligations resulting from the purchasing contract - with the following warranties:

The warranty period is 24 months beginning from the hand-over of the device which has to be proved by the original purchasing document. For commercial use and use for rent, the warranty period is reduced to 12 months. Wearing parts and defects caused by the use of not fitting accessories, repair with parts that are no original parts of the manufacturer, use of force, strokes and breaking as well as mischievous overloading of the motor are excluded from this warranty. Warranty replacement does only include defective parts, not complete devices. Warranty repair shall exclusively be carried out by authorized service partners or by the company's customer service. In the case of any intervention of not authorized personnel, the warranty will be held void.

All postage or delivery costs as well as any other subsequent expenses will be borne by the customer.

Since we regular improve our products, you may find slight differences between your machine and the descriptions contained in this manual. Modifications can be made to the machine without notice and without the obligation to update the manual, although the essential safety and function characteristics will remain unaltered. In case of any doubts, please contact your dealer. And now enjoy your work!

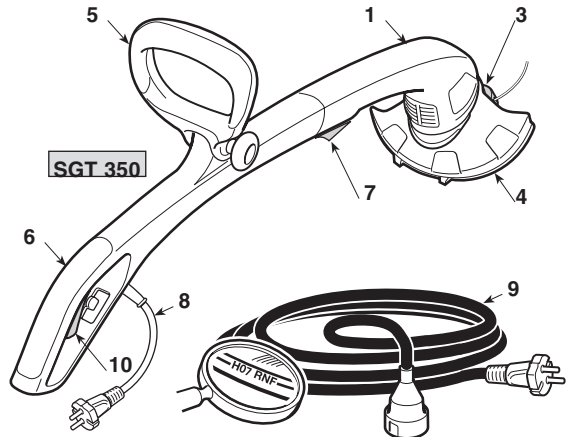
## TABLE OF CONTENTS

1. Identification of the main components .....	2
2. Symbols .....	3
3. Safety warnings .....	4
4. Machine assembly .....	6
5. Preparing to work .....	7
6. How to start - Stop the motor .....	7
7. Using the machine .....	8
8. Maintenance and storage .....	10
9. Accessories .....	10

# 1. IDENTIFICATION OF MAIN COMPONENTS

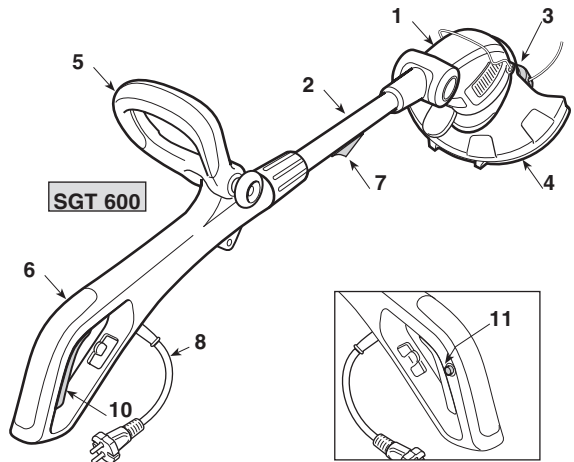
## MAIN COMPONENTS

1. Power unit
2. Connection pipe
3. Cutting line head (Cutting device)
4. Cutting device guard
5. Front handgrip
6. Rear handgrip
7. Identification plate
8. Power cable
9. Extension lead (not supplied)



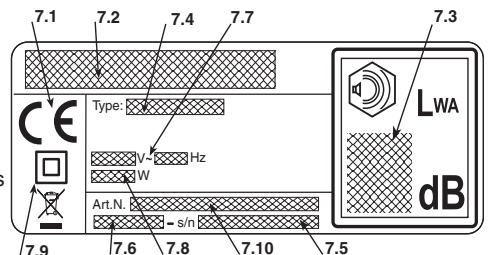
## CONTROLS AND FUNCTIONAL PARTS

10. Trigger switch
11. Safety button (SGT 600)



## IDENTIFICATION PLATE

- 7.1) EC Conformity marking
- 7.2) Name and address of the manufacturer
- 7.3) Acoustic power level
- 7.4) Type of machine
- 7.5) Serial number
- 7.6) Year of manufacture
- 7.7) Power supply frequency and voltage
- 7.8) Motor power
- 7.9) Dual insulation
- 7.10) Article Code



The example of the Declaration of Conformity is provided on the last pages of the manual.



Do not dispose of electric equipment together with household waste material! In observance of European Directive 2012/19/UE on waste electrical and electronic equipment and its implementation in accordance with national law, electric equipment that have reached the end of their life must be collected separately and returned to an environmentally compatible recycling facility. If electrical appliances are disposed of in landfills or dumps, hazardous substances can leak into the groundwater and get into the foodchain, damaging your health and well-being. For further information on the disposal of this product, please contact your dealer or your nearest domestic waste collection service.



## Maximum noise and vibration levels [1]

		Model	
		SGT 350	SGT 600
Sound pressure level	dB(A)	85,2	79,8
– Measurement uncertainty	dB(A)	1	1
Measured acoustic power level	dB(A)	94,2	93,5
– Measurement uncertainty	dB(A)	0,72	0,2
Guaranteed acoustic power level	dB(A)	96	96
Vibration level	m/s <sup>2</sup>	3,22	2,35,
– Measurement uncertainty	m/s <sup>2</sup>	1,5	1,5

[1]

**Notice:**

The vibration value indicated was determined with a standardized tool and can be used to make comparisons with other electric equipment as well as temporary estimates of the load through the vibrations.

**WARNING!**

The vibration value may vary according to the usage of the machine and its fitted equipment, and be higher than the one indicated. Safety measures must be established to protect the user and must be based on the load estimate generated by the vibrations in real usage conditions. In this regard, all the operational cycle phases must be taken into consideration, such as switching off or idle running.

## TECHNICAL DATA

		Model	
		SGT 350	SGT 600
Power supply voltage	V~	230-240	230
Power supply frequency	Hz	50	50
Engine Power	W	350	600
Cutting width	cm	25	30
Mass	Kg	1,9	2,8
No-load Speed	min <sup>-1</sup>	11.000	11.000

## 2. SYMBOLS



- 1) Keep bystanders away.
- 2) The tool continues to move even after it has been switched off.
- 3) Warning! Danger. Failure to use this machine correctly can be hazardous for oneself and others.
- 4) Disconnect the plug from the mains before commencing maintenance work or if the power cord is damaged.
- 5) Read the instruction manual before using the machine.
- 6) Do not leave the machine in the rain (or in damp conditions).
- 7) If you are using the machine every day in normal conditions, you can be exposed to a noise level of 85 dB (A) or higher. Wear safetyglasses and hearing protection.
- 8) Cutting device rotation direction.

### 3. SAFETY WARNINGS

#### HOW TO READ THE MANUAL

Certain paragraphs in the manual contain particularly significant information and are marked with various levels of highlighting with the following meaning:

#### NOTE

or

#### IMPORTANT

These give details or further information on what has already been said, with the aim of preventing damage to the machine.

#### ⚠ WARNING!

Non-observance will result in the risk of injury to oneself or others.

#### ⚠ DANGER!

Non-observance will result in the risk of serious injury or death to oneself or others.

#### ELECTRIC GRASS TRIMMER SAFETY WARNINGS

#### ⚠ WARNING!

The safety rules must be observed during machine use. Before starting the machine, read the instructions regarding personal safety and the safety of unauthorized persons. Keep the instructions in a good state for future use.

The term "power tool" in the warnings refers to your mains-operated (corded) power tool.

- 1) Only use the machine for the purpose for which it was designed, namely "cutting grass and non-woody vegetation, using a nylon line (e.g. around the edges of lawns, flowerbeds, walls, fences and small grassy areas to tidy up the cutting done using a mower)". Any other use, such as using accessories not specified in this manual, may be hazardous and also damage the machine. Examples of improper use may include, but are not limited to:
  - use the machine for sweeping;
  - trimming hedges or other jobs in which the cutting device is not used on ground level;
  - using the machine with the cutting device above the operator's belt level;
  - using the machine for cutting non-plant material;
  - use of the machine by more than one person.
- 2) This appliance is not intended for use by persons (including children) with reduced physical, sensory or mental capabilities, or lack of experience and knowledge, unless they have been given supervision or instruction concerning use of the appliance by a person responsible for their safety. Children should be supervised to ensure that they do not play with the appliance.
- 3) Residual risks: even all the safety rule are

obeyed, there still can be some other risks.

- Danger of injury of the fingers and hands involved into the rotating thread.
  - Danger of injury of the feet by affecting the cutting line.
  - hrowing of stones and earth. The moreover one obvious residual risks can exist despite all met precautions.
- 4) Wear protective glasses or goggles.
  - 5) Never allow children or people unfamiliar with the instructions to use the machine.
  - 6) Stop using the machine while people, especially children, or pets are nearby.
  - 7) Only use the machine in daylight or good artificial light.
  - 8) Before using the machine and after any impact, check for signs of wear or damage and repair as necessary.
  - 9) Never operate the machine with damaged guards or without the guards in place.
  - 10) Keep hands or feet away from the cutting means at all times and especially when switching on the motor.
  - 11) Take care against injury from any device fitted for trimming the filament line length. After extending new cutter line always return the machine to its normal operating position before switching on.
  - 12) Never fit metal cutting elements.
  - 13) Never user replacement parts or accessories not provided or recommended by the manufacturer.
  - 14) Disconnect the machine from the mains before checking, cleaning or working on the machine and when it is not in used.
  - 15) Always ensure that ventilation openings are kept clear of debris.
  - 16) After use, disconnect the machine from the mains and check for damage.
  - 17) When not in use store the machine out of the reach of children.
  - 18) Mains powered trimmers should only be repaired by an authorised repairer.

#### ADDITIONAL SAFETY WARNINGS

- 1) Read the instructions carefully.
- 2) Be familiar with the controls and proper use of the equipment.
- 3) Before use check the supply and extension cord for signs of damage or ageing.
- 4) If the cord becomes damaged during use, disconnect the cord from the supply immediately. **DO NOT TOUCH THE CORD BEFORE DISCONNECTING THE SUPPLY.**
- 5) Do not use the lawn trimmer (edge trimmer), if the cords are damaged or worn.
- 6) Warning: cutting elements continue to rotate after the motor is switched off.
- 7) Keep extension cords away from cutting elements.
- 8) Power the machine using a residual current device (RCD Residual Current Device) with max. 30 mA tripping current.

### • How to use the electric grass trimmer

When using the machine, always use caution and take on a firm and well-balanced position.

- Where possible, avoid working on wet, slippery ground or in any case on uneven or steep ground that does not guarantee stability for the operator.
- Never run, but walk carefully paying attention to the lay of the land and any eventual obstacles.
- Assess the potential risks of the ground to be mown and take all necessary precautions to ensure your own safety, especially on slopes or on bumpy, slippery or unstable ground.
- Work along the contour on slopes, never when walking up or down and always keep downhill of the cutter.

Do not use the machine if you are unable to hold it with both hands or keep it steady on your legs while working.

The machine must never be used by more than one person.

Never use the machine if the user is tired or unwell, or has taken medicine, drugs, alcohol or any substances which may slow his reflexes and compromise his judgement.

### • Techniques for using the electric grass trimmer

Always observe the safety regulations and use the most suitable cutting techniques (see chapter 7 for instructions and examples).

### • Handling the electric grass trimmer safety

Whenever the machine is to be handled or transported you must:

- turn off the motor, wait for the cutting device to stop and unplug the machine from the mains;
- only hold the machine using the handgrips and position the cutting device in the opposite direction to that used during operation.

When using a vehicle to transport the machine, position it so that it can cause no danger to persons and fasten it firmly.

### • Recommendations for first-time users

Before tackling a mowing job for the first time it is advisable to gain the necessary familiarity with the machine and the most suitable cutting techniques, finding out how to firmly grip the machine and making the movements required by the job.

## GENERAL POWER TOOL SAFETY WARNINGS

### 1) Work area safety

- a) **Keep work area clean and well lit.** Cluttered or dark areas invite accidents.
- b) **Do not operate power tools in explosive at-**

**mospheres, such as in the presence of flammable liquids, gases or dust.** Power tools create sparks which may ignite the dust or fumes.

- c) **Keep children and bystanders away while operating a power tool.** Distractions can cause you to lose control.

### 2) Electrical safety

- a) **Power tool plugs must match the outlet. Never modify the plug in any way. Do not use any adapter plugs with earthed (grounded) power tools.**

Unmodified plugs and matching outlets will reduce risk of electric shock.

- b) **Avoid body contact with earthed or grounded surfaces, such as pipes, radiators, ranges and refrigerators.** There is an increased risk of electric shock if your body is earthed or grounded.
- c) **Do not expose power tools to rain or wet conditions.** Water entering a power tool will increase the risk of electric shock.
- d) **Do not use the cord improperly. Never use the cord for carrying, pulling or unplugging the power tool. Keep cord away from heat, oil, sharp edges or moving parts.** Damaged or entangled cords increase the risk of electric shock.
- e) **When operating a power tool outdoors, use an extension cord suitable for outdoor use.** Using a cord suitable for outdoor use reduces the risk of electric shock.
- f) **If operating a power tool in a damp location is unavoidable, use a residual current device (RCD) protected supply.** Using an RCD reduces the risk of electric shock.

### 3) Personal safety

- a) **Stay alert, watch what you are doing and use common sense when operating a power tool. Do not use a power tool while you are tired or under the influence of drugs, alcohol or medication.** A moment of inattention while operating power tools may result in serious personal injury.
- b) **Use personal protective equipment. Always wear eye protection.** Protective equipment such as dust mask, non-skid safety shoes, hard hat, or hearing protection used for appropriate conditions will reduce personal injuries.
- c) **Prevent unintentional starting. Ensure the switch is in the off-position before connecting to power source, picking up or carrying the tool.** Carrying power tools with your finger on the switch or energising power tools that have the switch on invites accidents.
- d) **Remove any adjusting key or wrench before turning the power tool on.** A wrench or a key left attached to a rotating part of the power tool may result in personal injury.
- e) **Do not overreach. Keep proper footing and balance at all times.** This enables better control of the power tool in unexpected situations.
- f) **Dress properly. Do not wear loose clothing or jewellery. Keep your hair, clothing and gloves away from moving parts.** Loose clothes, jewellery or long

hair can be caught in moving parts.

- g) **If devices are provided for the connection of dust extraction and collection facilities, ensure these are connected and properly used.** Use of dust collection can reduce dust-related hazards.

#### 4) Power tool use and care

- a) **Do not force the power tool. Use the correct power tool for your application.** The correct power tool will do the job better and safer at the rate for which it was designed.
- b) **Do not use the power tool if the switch does not turn it on and off.** Any power tool that cannot be controlled with the switch is dangerous and must be repaired.
- c) **Disconnect the plug from the power source before making any adjustments, changing accessories, or storing power tools.** Such preventive safety measures reduce the risk of starting the power tool accidentally.
- d) **Store idle power tools out of the reach of children and do not allow persons unfamiliar with the power tool or these instructions to operate the power tool.** Power tools are dangerous in the hands of untrained users.
- e) **Maintain power tools. Check for misalignment or obstruction of moving parts, breakage of parts and any other condition that may affect the power**

**tool's operation. If damaged, have the power tool repaired before use.** Many accidents are caused by poorly maintained power tools.

- f) **Keep cutting tools sharp and clean.** Properly maintained cutting tools with sharp cutting edges are less likely to become jammed and are easier to control.
- g) **Use the power tool, accessories and tool bits etc. in accordance with these instructions, taking into account the working conditions and the work to be performed.** Using the power tool for operations other than those intended could result in a hazardous situation.

#### 5) Service

- a) **Have your power tool serviced by a qualified repair person using only identical replacement parts.** This will ensure that the safety of the power tool is maintained.

## 4. MACHINE ASSEMBLY

**⚠ WARNING!** *Mount the components very carefully so as not to impair the safety and efficiency of the machine. If in doubt, contact your dealer.*

**⚠ WARNING!** *Make sure the machine is not plugged into the mains socket.*

**⚠ WARNING!** *Unpacking and completing the assembly should be done on a flat and stable surface, with enough space for moving the machine and its packaging, always making use of suitable equipment.*

Disposal of the packaging should be done in accordance with the local regulations in force.

### 1. JOINING THE TWO SEPARATE MACHINE SECTIONS (Only for SGT 350) (Fig. 1)

- Align the groove on the front section (1) with the guide on the rear section (2) and press together firmly until it clicks into position.

**IMPORTANT** *Once the two sections have been joined, they can never be separated again.*

### 2. MOUNTING THE FRONT HANDGRIP (Fig. 2)

- Fit the front handgrip (1) on the support (2) so that the seat (3) of the screw (4) is visible on the left hand side.
- Insert the screw (4) and start to tighten the handle (5).
- Before tightening the handle completely (5), align the handgrip (1) in the most comfortable position for the operator.

### 3. MOUNTING THE GUARD (Fig. 3)

**⚠ WARNING!** *The guard must be fitted correctly to respect the safety requirements and the correct position of the line cutting knife.*

- Hook the power unit tab (1) onto the guard seat (2).
- Press the guard (2) upwards until you hear a click.

**IMPORTANT** *Once mounted, the guard can never be removed.*

## 5. PREPARING TO WORK

### 1. CHECKING THE MACHINE

**⚠ WARNING!** *Make sure the machine is not plugged into the mains socket.*

Before starting work please:

- check that the mains frequency and voltage is the same as the rating data on the "Identification Plate" (see chap. 1 - 7.8).
- check that the trigger switch and the safety button (**Only for SGT 600**) should move freely without forcing and return automatically and rapidly back to their neutral position;
- (**Only for SGT 600**) check that the trigger switch must remain locked until the safety button is pressed;
- check that the cooling air vents are not obstructed;
- check that the power cable and extension lead are not damaged;
- check that handgrips and protection devices are clean and dry, correctly mounted and well fastened to the machine;
- check that the cutting devices and guards are not damaged;
- check that the machine is not showing signs of wear or damage due to knocks or other causes, and carry out the necessary repairs.

### 2. ELECTRICAL CONNECTIONS

**⚠ DANGER!** *Electricity and moisture are not compatible.*

- *Always handle and connect electric cables in dry conditions.*
- *Keep electric sockets or cables away from wet and damp areas (e.g. puddles or wet ground).*

The quality of the extension leads must be no less than **H07RN-F** or **H07VV-F**, with a minimum section of 1.5 mm and a recommended maximum length of 30 m.

To avoid overheating, do not keep the extension lead rolled up during use.

**⚠ DANGER!** *The permanent connection of any electrical equipment to the mains of a building must be installed by a qualified electrician in conformity with the regulations in force. Incorrect wiring can cause serious injury and even death.*

## 6. HOW TO START - STOP THE MOTOR

### STARTING THE MOTOR (Fig. 4)

Before starting the motor:

- Fasten the extension lead (1) to the cable clamp on the rear handgrip.
- **FIRST** connect the power cable plug (2) to the extension lead (3) and **THEN** plug the extension lead into the mains socket (4).

To start the motor:

- Hold the machine firmly with both hands.
- **SGT 600:** Press the safety button and then the switch (6).
- **SGT 350:** Press the switch (6).

### NOTE

*(Only for SGT 600) When you release the switch, the safety button is also released and the motor stops.*

### STOPPING THE MOTOR (Fig. 4)

To stop the motor:

- Release the switch (6).
- **FIRST** unplug the extension lead (3) from the mains socket (4) and **THEN** disconnect the power cable (2) of the machine from the extension lead (3).

## 7. USING THE MACHINE

**⚠ WARNING!** For your safety and that of others:

- 1) Keep in mind that the operator or user is responsible for accidents or hazards occurring to other people or their property.
- 2) Always wear suitable clothing when using the machine. Your dealer can provide you with all the information on the most suitable accident-prevention devices to guarantee your safety.
- 3) Thoroughly inspect the whole work area and remove anything that could be thrown up by the machine or damage the cutting device (stones, branches, iron wire, bones, etc.).
- 4) Use the cable clamp to prevent the extension lead from disconnecting accidentally. Make sure it is connected to the socket without being forced. Never touch a live electric cable if it is poorly insulated.
- 5) Be careful of flying debris coming from the cutting device.
- 6) Stop the motor and unplug the machine from the mains:
  - if the machine starts to vibrate abnormally; find the cause of the vibration immediately and have it inspected at a Specialised Centre;
  - whenever you leave the machine unattended.

**IMPORTANT** Remember that an electric grass trimmer used incorrectly can be a disturbance to others. To respect people and the environment:

- Avoid using the machine in environments or at times of the day when it may disturb others.
- Scrupulously comply with local regulations and provisions for the disposal of waste materials after cutting.
- To avoid the risk of fire, do not leave the machine with the motor hot on leaves or dry grass.
- Scrupulously comply with local regulations and provisions for the disposal of damaged parts or any elements which have a strong impact on the environment.

**⚠ WARNING!** Prolonged exposure to vibrations can cause injuries and neurovascular disorders (also called “Renaud’s syndrome” or “white hand”), especially to people suffering from circulation disorders. The

symptoms can regard the hands, wrists and fingers and are shown through loss of sensitivity, torpor, itching, pain and discolouring of or structural changes to the skin. These effects can be worsened by low ambient temperatures and/or by gripping the handgrips excessively tightly. If the symptoms occur, the length of time the machine is used must be reduced and a doctor consulted.

### 1. USING THE MACHINE

**⚠ WARNING!** When working, the machine must always be firmly held in both hands, keeping the cutting group below the line of the belt.

The cutting line head can eliminate tall grass and non-woody vegetation near fences, walls, foundations, pavements, around trees, etc. or to completely clean a particular area of the garden.

**⚠ WARNING!** The use of metal or rigid blades of any type with this machine is prohibited.

### 2. ERGONOMIC AND FUNCTIONAL ADJUSTMENTS (Only for SGT 600) (Fig. 5)

A variety of adjustments can be made to the machine to adapt it to the physique of the operator and the type of work it is required to perform.

**⚠ WARNING!** All adjustments must ensure that the operator is ALWAYS situated behind the cutting device.

**⚠ WARNING!** Always disconnect the extension lead from the mains before performing any adjustments.

- **Aligning the rear handgrip and adjusting the length of the connection pipe**
  - Loosen the handle (1).
  - Pull or push the connection pipe (2) until it reaches the desired length.
  - The rear handgrip (3) can be rotated to a maximum of 180° where necessary.
  - Tighten the handle (1) firmly when all adjustments have been completed.

### • Aligning the power unit

- Press the pedal (4) and align the power unit (5) with one of the three allowed positions.
- Make sure the power unit is firmly assembled before switching the motor on.
- Rotate the cutting limit indicator (6) towards the front when working near trees, curbs or fences to prevent them coming into contact with the cutting device.

## 3. WORKING TECHNIQUES

**⚠ WARNING!** *Use ONLY nylon lines. The use of metal lines, plasticised metal lines and/or lines not suitable for the head can cause serious injuries and wounds.*

During use it is advisable to stop the motor periodically and remove the weeds wound round the machine, so as to prevent overheating due to the grass caught under the guard.

Remove the caught-up grass with a screwdriver.

**⚠ WARNING!** *Do not use the machine for sweeping, tilting the cutting line head. The power of the motor could throw objects and small stones 15 metres or more, causing damage and injuries to people.*

### • Cutting in motion (Scything) (Fig. 6)

Proceed at a regular pace, with a circular motion similar to a traditional scythe, keeping the cutting device parallel to the ground.

First try cutting at the right height in a small area, so as to then achieve a uniform cutting height keeping the cutting line head at a constant distance from the ground. For heavier cutting it can be useful to tilt the cutting line head by about 30°.

**⚠ WARNING!** *Do not work in this way if there is the possibility of causing objects to be thrown, which could harm people and animals and cause damage.*

### • Cutting near fences/foundations

Slowly approach the cutting line head to fences, posts, rocks, walls, etc. without hitting them hard.

If the line strikes a solid object it could break or become worn; if it gets tangled in a fence it could break abruptly. In any case, cutting around pavements, foundations, walls, etc. can cause greater wear than normal to the line.

### • Cutting round trees

Walk round the tree from left to right, approaching the trunks slowly so as not to strike the tree with the line and keeping the cutting line head tilted forward slightly.

Remember that the nylon line could lop or damage small shrubs and that the impact of the nylon line against the trunk of bushes or trees with soft bark could seriously damage the plant.

### • Adjusting line length when working (Fig. 7)

This machine is fitted with a “Tap & Go” head. To release more line, tap the cutting line head against the ground with the motor running; the line will be released automatically and the knife cuts off the excess length.

If the line is not long enough:

- stop the motor and disconnect the extension lead from the mains;
- press the bottom of the head and tug on the ends of the line, until it reaches the desired length.

If the line has run out, the coil must be replaced.

**⚠ WARNING!** *After working on the cutting-line head, always put the machine in a working position before starting the motor.*

## 4. END OF OPERATIONS

When you have finished your work:

- Switch off the motor as indicated above (Chap. 6).

**⚠ WARNING!** *Allow the motor to cool before storing in any enclosure. To reduce fire hazards, clean the machine thoroughly to get rid of any remains of grass, leaves or excess grease, never leave containers with the cut debris inside the storage area.*

## 8. MAINTENANCE AND STORAGE

**⚠ WARNING!** For your safety and that of others:

- After each use, disconnect the machine from the mains and check for damage.
- Correct maintenance is essential to maintain the original efficiency and safety of the machine over time.
- Keep all nuts, bolts and screws tight to be sure the equipment is in safe working condition.
- Never use the machine with worn or damaged parts. Damaged parts are to be replaced and never repaired.
- Only use original spare parts. Parts that are not of the same quality can seriously damage the equipment and compromise safety.

**⚠ WARNING!** During maintenance operations unplug the machine from the mains.

### 1. MOTOR COOLING

To avoid overheating and damage to the motor, always keep the cooling air vents clean and free of sawdust and debris.

### 2. HEAD COIL REPLACEMENT (Fig. 8)

- Press the two side buttons (1) and remove the cover (2).
- Lift out the coil (3).
- Reposition the spring (4) and insert the new coil, making sure that the two ends of the line (5) protrude from the holes (6) of the head.
- Remount the cover (2).

## 9. ACCESSORIES

The table contains a list of all available accessories, indicating those which may be used on each machine, marked with the symbol “\*”.

**⚠ WARNING!** In consideration that the selection, application and usage of the accessory to be fitted in the variety of possible us-

### 3. SHARPENING THE LINE CUTTING KNIFE (Only for SGT 350) (Fig. 9)

- Unscrew the two screws (1) and remove the line cutting knife (2) from the guard (3).
- Fix the line cutting knife in a vice and sharpen it using a flat file, being careful to retain the original cutting angle.
- Refit the knife on the guard.

SGT 600 mod. is provided with a line cutting pin which does not need sharpening.

### 4. ELECTRIC CABLES

**⚠ WARNING!** Check the condition of the electric cables regularly and replace them if they are worn or their insulation looks damaged.

If the electric cable is damaged, have it replaced with a genuine spare part by a qualified technician.

### 5. EXTRAORDINARY MAINTENANCE

All maintenance operations not foreseen in this manual must be performed exclusively by your dealer.

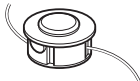
All and any operations performed in unauthorised centres or by unqualified persons will totally invalidate the warranty.

### 6. STORAGE

After every work stint, clean the machine thoroughly to remove all dust and debris, and repair or replace any faulty parts.

The machine must be stored in a dry place away from the elements and out of the reach of children.

*age are actions made solely by the user, the latter assumes responsibility for damages of any kind due to such actions. When in doubt or if lacking knowledge of the specificity of each accessory, contact your retailer or specialised gardening centre.*

	Code	Model:	SGT 350	SGT 600
	1911-9125-01		*	
	1911-9126-01			*



**DICHIARAZIONE CE DI CONFORMITÀ** (Istruzioni Originali)  
(Direttiva Macchine 2006/42/CE, Allegato II, parte A)

1. **La Società:** STIGA SpA – Via del Lavoro, 6 – 31033 Castelfranco Veneto (TV) – Italy
2. Dichiaro sotto la propria responsabilità, che la macchina: Tagliaerba/tagliabordi portatile, taglio erba

a) Tipo / Modello Base

SGT 350

b) Mese/Anno di costruzione

c) Matricola

c) Motore

elettrico

3. È conforme alle specifiche delle direttive:

- MD: 2006/42/EC
- e) Ente Certificatore: /
- f) Esame CE del tipo: /

- OND: 2000/14/EC, ANNEX VI, proc.1- 2005/88/EC  
D. Lgs. 262/2002, ANNEX VI, proc. 1 (Italy)

e) Ente Certificatore: N° 0359 Intertek Testing Certification Ltd.  
Davy Avenue, Knowlhill, Milton Keynes, MK5 8NL

- EMCD: 2014/30/EU
- RohS II: 2011/65/EU

4. Riferimento alle Norme armonizzate:

EN 60335-1:2012/A11:2014  
EN 50636-2-91:2014  
EN 50581:2012

EN 55014-1:2008/A1:2009/A2:2011  
EN 55014-2:1997/A1:2001/A2:2008  
EN 61000-3-2:2014  
EN 61000-3-3:2013

g) Livello di potenza sonora misurato

94 dB(A)

h) Livello di potenza sonora garantito

96 dB(A)

i) Ampiezza di taglio


25 cm

m) Persona autorizzata a costituire il Fascicolo Tecnico:

STIGA SpA  
Via del Lavoro, 6  
31033 Castelfranco Veneto (TV)- Italia

n) Castelfranco V.to, 31.07.2017

Vice Presidente Quality & Customer Service  
Ing. Raimondo Hippol



**DICHIARAZIONE CE DI CONFORMITÀ** (Istruzioni Originali)  
(Direttiva Macchine 2006/42/CE, Allegato II, parte A)

1. **La Società:** STIGA SpA – Via del Lavoro, 6 – 31033 Castelfranco Veneto (TV) – Italy
2. Dichiaro sotto la propria responsabilità, che la macchina: Tagliaerba/tagliabordi portatile, taglio erba

a) Tipo / Modello Base

SGT 600

b) Mese/Anno di costruzione

c) Matricola

c) Motore

elettrico

3. È conforme alle specifiche delle direttive:

• MD: 2006/42/EC

e) Ente Certificatore: /

f) Esame CE del tipo: /

• OND: 2000/14/EC, ANNEX VI, proc.1- 2005/88/EC

D. Lgs. 262/2002, ANNEX VI, proc. 1 (Italy)

e) Ente Certificatore:

N° 0359 Intertek Testing Certification Ltd.  
Davy Avenue, Knowhill, Milton Keynes, MK5 8NL

• EMCD: 2014/30/EU

• Rohs II: 2011/65/EU

4. Riferimento alle Norme armonizzate:

EN 60335-1:2012/A11:2014

EN 50636-2-91:2014

EN 50581:2012

EN 55014-1:2008/A1:2009/A2:2011

EN 55014-2:1997/A1:2001/A2:2008

EN 61000-3-2:2014

EN 61000-3-3:2013

g) Livello di potenza sonora misurato

94 dB(A)

h) Livello di potenza sonora garantito

96 dB(A)

i) Ampiezza di taglio

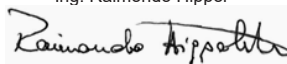
30 cm

m) Persona autorizzata a costituire il Fascicolo Tecnico:

STIGA SpA  
Via del Lavoro, 6  
31033 Castelfranco Veneto (TV)- Italia

n) Castelfranco V.to, 31.07.2017

Vice Presidente Quality & Customer Service  
Ing. Raimondo Hippol



FR (Traduction de la notice originale)	EN (Translation of the original instruction)	EL (Übersetzung der Originalanweisung)	NO (Oversettelse av original brukerveiling)	BV (Översättning av bruksanvisning (original))	DA (Oversættelse af den originale brugervejledning)
<p>Declaration CE de Conformité (Directive Machine 2006/42/CE, Annex I, partie A)</p> <p>1. La Société 2. Déclare sous sa propre responsabilité que la machine : Coupe-hérbe / Coupe-bordures - coupe de gazon a) Type / Modèles de base b) Marque / Année de construction c) Date d) Motor: électrique 3. Est conforme aux prescriptions des directives: 4. Organisme de certification 5. Numéro CE de Type 6. Niveau des Normes harmonisées 7. Niveau de puissance sonore mesuré 8. Niveau de puissance sonore garanti 9. Niveau de puissance sonore 10. Particularités habilités à établir le Dossier Technique 11. Lieu de Date</p>	<p>EC Declaration of Conformity (Directive Machine 2006/42/EC, Annex I, part A)</p> <p>1. The Company 2. Hereby declares under its own responsibility that the machine: lawnmower / trimmer - grass cutting a) Type / Base Model b) Motor: Type of manufacture c) Brand / Year d) Motor: electric 3. Conforms to the following specifications: 4. Certifying body 5. CE mark power level measured 6. Reference to harmonized Standards 7. Sound power level guaranteed 8. Noise power level measured 9. Person authorized to create the Technical Folder 10. Place and Date</p>	<p>EG-Konformitätserklärung (Maschinenrichtlinie 2006/42/EG, Anhang I, Teil A)</p> <p>1. Die Gesellschaft 2. Erklärt unter eigener Verantwortung, dass die Maschine: a) Bauart / Basismodell b) Motor: elektrisch c) Typ / Baujahr d) Motor: elektrisch 3. Den Anforderungen der folgenden Richtlinien entspricht: 4. Zertifizierungsstelle 5. EG-Baumarkennummer 6. Bezugnahme auf die harmonisierten Normen 7. Gemessene Schallleistungswerte 8. Gemessene Schaltdruckleistungswerte 9. Gemessene Schaltdruckleistungswerte 10. Zur Verfügung der technischen Unterlagen 11. Ort und Datum</p>	<p>EF - Samværetserklæring (Maskinordningen 2006/42/EF, Vedlegg I, del A)</p> <p>1. Firmaet 2. Erklærer på eget ansvar, at maskinen: a) Type / Basismodel b) Motor / Byggeår c) Motor: elektrisk d) Type / Basismodel 3. Overensstemmer med direktivene i henhold til: 4. Godkendt myndighed 5. EF-typegodkendelsesnummer 6. Referencer til harmoniserede standarder 7. Målte lydeffekt 8. Målte lydtrykniveauer 9. Målte lydtrykniveauer 10. Person som har fuldført et udtøvet teknisk dokumentationsfil 11. Ort og dato</p>	<p>EF-overensstemmelseserklæring (Maskinordningen 2006/42/EF, bilag I, del A)</p> <p>1. Firmaet 2. Erklærer på eget ansvar, at maskinen: a) Type / Basismodel b) Motor / Konstruktionsår c) Motor: elektrisk d) Motor: elektrisk 3. Overensstemmer med specifikationerne i henhold til: 4. Godkendt myndighed 5. EF-typegodkendelsesnummer 6. Referencer til harmoniserede standarder 7. Målte lydeffekt 8. Målte lydtrykniveauer 9. Målte lydtrykniveauer 10. Person, der har gennemført et udtøvet teknisk dokumentationsfil 11. Sted og dato</p>	

NL (Vertaling van de oorspronkelijke gebruiksaanwijzing)	ES (Traducción al Manual Original)	PT (Tradução do manual original)	FI (Alkuperäisen ohjeen käännös)	SV (Översättning av bruksanvisning)	PL (Tłumaczenie oryginalnej instrukcji)
<p>ED-vertaling van overeenstemming (Richtlijn Machine 2006/42/EG, Bijlage I, deel A)</p> <p>1. Het bedrijf 2. Verklaart onder zijn eigen verantwoordelijkheid dat de machine: a) Type / Basismodel b) Motor / Constructiejaar c) Motor: elektrisch d) Motor: elektrisch 3. Overeenstemt met de specificaties van de richtlijnen: 4. Certificatieinstelling 5. Nummer van het Type 6. Verwijzing naar de geharmoniseerde normen 7. Gemiddelde geluidvermogen 8. Gemiddelde geluidvermogen 9. Gemiddelde geluidvermogen 10. Persoon autoriseerd te plaatsen van het Technisch Dossier 11. Plaats en datum</p>	<p>Declaración de Conformidad CE (Directiva Máquinas 2006/42/CE, Anexo I, parte A)</p> <p>1. La Empresa 2. Declara bajo su propia responsabilidad que la máquina: Cortacésped/Cortabordes - corte de césped a) Tipo / Modelo de base b) Motor: eléctrico c) Año / Año de fabricación d) Motor: eléctrico 3. Cumple con las especificaciones de las directivas: 4. Entidad certificadora 5. Número CE de Tipo 6. Referencia a las Normas armonizadas 7. Nivel de potencia sonora garantada 8. Nivel de potencia sonora 9. Nivel de potencia sonora 10. Persona autorizada a realizar el Manual Técnico 11. Lugar y Fecha</p>	<p>Declaracão CE de Conformidade (Diretiva de Máquinas 2006/42/CE, Anexo I, parte A)</p> <p>1. A Empresa 2. Declara sob a própria responsabilidade que o equipamento: cortador de relva / cortador de relva a) Tipo / Modelo de base b) Motor: elétrico c) Ano / Ano de fabricacão d) Motor: elétrico 3. É conforme às especificações das diretivas: 4. Órgão certificador 5. Número CE de Tipo 6. Referência às normas harmonizadas 7. Nível médio de potência sonora 8. Nível médio de potência sonora 9. Nível médio de potência sonora 10. Pessoa autorizada a elaborar o Caderno Técnico 11. Local e Data</p>	<p>EY-VÄÄNTUSTUKI (Konepuolustus 2006/42/ETY, Liite I, osa A)</p> <p>1. Yritys 2. Vakuuttaa omalla vastuullaan, että kone: a) Tyypin / Perusmallin b) Moottorin / Rakennusvuoden c) Sarjanumeron d) Moottorin: sähköinen e) Yhtymääntasoisissa suhteissa direktiivien mukaisesti f) EU-tyyppinumeron g) Harmonisoidun standardien viittaukset h) Mittausarvo i) Mittausarvo j) Mittausarvo k) Mittausarvo l) Mittausarvo m) Teknisen dokumentaation täydellisen luettelon tekijä n) Paikka ja päivämäärä</p>	<p>ES - Produktet av skedet (Stämning i Styrning 2006/42/EF, Bilaga I, del A)</p> <p>1. Selskapet 2. Erklærer på eget ansvar, at skedet: a) Type / Basismodel b) Motor / Byggeår c) Motor: elektrisk d) Motor: elektrisk 3. Overensstemmer med direktivene i henhold til: 4. Godkendt myndighed 5. EF-typegodkendelsesnummer 6. Referencer til harmoniserede standarder 7. Målte lydeffekt 8. Målte lydtrykniveauer 9. Målte lydtrykniveauer 10. Person som har fuldført et udtøvet teknisk dokumentationsfil 11. Sted og dato</p>	<p>Deklaracja zgodności WE (Dyrektywa maszynowa 2006/42/WE, Załącznik II, część A)</p> <p>1. Spółka 2. Oświadczam na własną odpowiedzialność, że maszyna: a) Typ / Model podstawowy b) Moc / Rok produkcji c) Rodzaj silnika d) Rodzaj silnika 3. Jest zgodna z wymogami specyfikacji określonych w: 4. Instytucji certyfikującej 5. Numerze CE typu 6. Odniesieniu do norm zharmonizowanych 7. Pomiaru mocy akustycznej 8. Pomiaru ciśnienia akustycznego 9. Pomiaru ciśnienia akustycznego 10. Osoba upoważniona do zredagowania Dokumentacji Technicznej 11. Miejsce i data</p>

EL (Μετάφραση του πρωτότυπου χειρωνακτικού οδηγού)	TR (Original Yalınlatma Talimatları)	MK (Упроба на оригиналниот упатство)	HU (Eredeti használati utasítás fordítása)	RU (Перевод оригинального руководства)	SR (Prilozak originalnih uputa)
<p>ΕΚ-απόφαση συμμόρφωσης (Οδηγία Μηχανών 2006/42/ΕΚ, Παράρτημα I, μέρος Α)</p> <p>1. Η Εταιρεία 2. Δηλώνει υπεύθυνα ότι η μηχανή: α) Τύπος / Βασικό μοντέλο β) Μάρκα / Έτος κατασκευής γ) Μοτέρ: ηλεκτρικό δ) Μοτέρ: ηλεκτρικό 3. Συμμορφώνεται με τις προδιαγραφές των οδηγιών: 4. Οργανισμός πιστοποίησης 5. Αριθμός CE του Τύπου 6. Αναφορά στις αρμονισμένες προδιαγραφές 7. Μέτρηση του μέσου ηχηρικού ισχύος 8. Μέτρηση του μέσου ηχηρικού ισχύος 9. Μέτρηση του μέσου ηχηρικού ισχύος 10. Άτομο εξουσιοδοτημένο για την κατασκευή του Τεχνικού Φακέλου 11. Οποιοδήποτε μέρος του χειρωνακτικού οδηγού</p>	<p>AT Udgangspunkt Byg (2006/42/CE Machine Direktiv, Ek i, bilaga A i del A)</p> <p>1. Selskapet 2. Erklærer på eget ansvar, at maskinen: a) Type / Basismodel b) Motor / Byggeår c) Motor: elektrisk d) Motor: elektrisk 3. Overensstemmer med specifikationerne i henhold til: 4. Godkendt myndighed 5. EF-typegodkendelsesnummer 6. Referencer til harmoniserede standarder 7. Målte lydeffekt 8. Målte lydtrykniveauer 9. Målte lydtrykniveauer 10. Person som har fuldført et udtøvet teknisk dokumentationsfil 11. Sted og dato</p>	<p>Декларација за усогласеност со ЕУ (Директива за машини 2006/42/ЕУ, дел А, точка А)</p> <p>1. Компанијата 2. Објавува со сопствена одговорност дека машината: а) Тип / Основен модел б) Модел / Година производње в) Момент / Година производње г) Момент / Година производње 3. Соодветствува на спецификациите на директивите: 4. Орган за сертификација 5. Број на типот на CE 6. Напомена на хармонизираните стандарти 7. Измерена акустична моќност 8. Измерена акустична моќност 9. Измерена акустична моќност 10. Лице овластено за изработка на техничкиот документацион 11. Место и датум</p>	<p>EK-megjeladning på godkännande (Maskinordningen 2006/42/EF, Bilaga I, del A)</p> <p>1. Företaget 2. Erklærer på eget ansvar, att maskinen: a) Typ / Basismodell b) Motor / Byggnadsår c) Motor: elektrisk d) Motor: elektrisk 3. Överensstämmer med specifikationerna i direktiv: 4. Godkänd myndighet 5. EF-typgodkänningsnummer 6. Referenser till harmoniserade standarder 7. Mått lydeffekt 8. Mått ljudtrycksnivåer 9. Mått ljudtrycksnivåer 10. Person som har utfört ett utarbetat tekniskt dokumentationsfil 11. Ställe och datum</p>	<p>Декларација со согласност со (Директива за машини 2006/42/ЕУ, Прилог I, дел А)</p> <p>1. Друштвото 2. Објавува на сопствена одговорност дека машината: а) Тип / Основен модел б) Модел / Година производње в) Момент / Година производње г) Момент / Година производње 3. Соодветствува на спецификациите на директивите: 4. Орган за сертификација 5. Број на типот на CE 6. Напомена на хармонизираните стандарти 7. Измерена акустична моќност 8. Измерена акустична моќност 9. Измерена акустична моќност 10. Лице овластено за изработка на техничкиот документацион 11. Место и датум</p>	<p>EK izjava o skladnosti (Direktiva 2006/42/EC, priloga I, del A)</p> <p>1. Podružnica 2. Izjavljuje pod vlastitom odgovornošću da je mašina: a) Tip / Osnovni model b) Motor / Godina proizvodnje c) Motor: električni d) Motor: električni 3. U skladu je sa zahtevima iz direktive: 4. Certifikaciono tijelo 5. Broj tipa CE 6. Povezivanje sa usklađenim standardima 7. Izmerena akustična moćnost 8. Izmerena akustična moćnost 9. Izmerena akustična moćnost 10. Osoba ovlašćena za izradu tehničke dokumentacije 11. Mesto i datum</p>


SL (Prevod izvornih uputa)	ES (Traducción original)	SV (Översättning av bruksanvisning)
<p>ES izjava o skladnosti (Direktiva 2006/42/EC, priloga I, del A)</p> <p>1. Podružnica 2. Izjavljuje pod vlastito odgovornostu da je mašina: a) Tip / Osnovni model b) Motor / Godina proizvodnje c) Motor: električni d) Motor: električni 3. U skladu je sa zahtevima iz direktive: 4. Certifikaciono tijelo 5. Broj tipa CE 6. Povezivanje sa usklađenim standardima 7. Izmerena akustična moćnost 8. Izmerena akustična moćnost 9. Izmerena akustična moćnost 10. Osoba ovlašćena za izradu tehničke dokumentacije 11. Mesto i datum</p>	<p>ES izjava o skladnosti (Direktiva 2006/42/EC, Priloga I, delo A)</p> <p>1. Podružnica 2. Izjavljuje pod vlastito odgovornostu da je mašina: a) Tip / Osnovni model b) Motor / Godina proizvodnje c) Motor: električni d) Motor: električni 3. U skladu je sa zahtevima iz direktive: 4. Certifikaciono tijelo 5. Broj tipa CE 6. Povezivanje sa usklađenim standardima 7. Izmerena akustična moćnost 8. Izmerena akustična moćnost 9. Izmerena akustična moćnost 10. Osoba ovlašćena za izradu tehničke dokumentacije 11. Mesto i datum</p>	<p>ES yllskilning o skeden (Stämning i Styrning 2006/42/EF, Bilaga I, del A)</p> <p>1. Selskapet 2. Erklærer på eget ansvar, at skedet: a) Type / Basismodel b) Motor / Byggeår c) Motor: elektrisk d) Motor: elektrisk 3. Overensstemmer med specifikationerne i henhold til: 4. Godkendt myndighed 5. EF-typegodkendelsesnummer 6. Referencer til harmoniserede standarder 7. Målte lydeffekt 8. Målte lydtrykniveauer 9. Målte lydtrykniveauer 10. Person som har fuldført et udtøvet teknisk dokumentationsfil 11. Sted og dato</p>

NO (Traducción manual de instrucciones)	LT (Originalios instrukcijos vertimas)	LV (Izdevotāja deklarācija)
<p>CE Declaration of Conformity (Directive Machine 2006/42/EC, Annex I, part A)</p> <p>1. Societatea 2. Declara pe propria raspundere ca masina: a) Tip / Model de baza b) Lupa / Anul de fabricatie c) Motor: electric d) Motor: electric 3. Este in conformitate cu specificatiile din directive: 4. Organism de certificare 5. Numarul CE de tip 6. Referinta la Standartele armonizate 7. Nivel de putere sonora garantat 8. Nivel de putere sonora 9. Nivel de putere sonora 10. Persoana autorizata sa realizeze Documentul Tehnic 11. Locul si Data</p>	<p>ES atitikties deklaracija (direktiva 2006/42/EC, Priloga I, dalis A)</p> <p>1. Bendrovė 2. Pateikia atsakymą, kad įrenginys: a) Tipas / Pagrindinis modelis b) Motorius / Gamintojo metai c) Motorius: elektrinis d) Motorius: elektrinis 3. Atitinka reikalavimus direktyvoje: 4. Tvirtinimo institucija 5. CE tipo numeris 6. Nuoroda į suderintus standartus 7. Išmatuota akustinė galia 8. Išmatuota akustinė galia 9. Išmatuota akustinė galia 10. Asmuo, turintis teisę sudaryti Techninį Dokumentaciją 11. Vietis ir Data</p>	<p>ES atbilstības deklarācija (Direktīva 2006/42/EC par mašīnām, pielikums I, daļa A)</p> <p>1. Uzņēmums 2. Uztveroties par to pilnā atbildībā, paziņo, ka ierīcība atbilst prasībām, kas noteiktas: a) Tipā / Bāzes modelī b) Motorā / Ražošanas gadā c) Motorā: elektriskais d) Motorā: elektriskais 3. Atbilst prasībām, kas noteiktas: 4. Aizstāvētajā institūcijā 5. CE tipa numurā 6. Atsauces uz saskaņotajiem standartiem 7. Izmatotā akustiskā jauda 8. Izmatotā akustiskā jauda 9. Izmatotā akustiskā jauda 10. Persona, kas ir pilnvarota tehniskās dokumentācijas izveidei 11. Vieta un datums</p>

SR (Prevod originalnih uputa)	ES (Traducción original)	ET (Alkuperäisen käyttöohjeen tiivistys)
<p>ES deklaracija o usklađenosti (Direktiva o mašinama 2006/42/EC, Priloga I, dio A)</p> <p>1. Podružnica 2. Izjavljuje pod vlastitom odgovornošću da je mašina: a) Tip / Osnovni model b) Motor / Godina proizvodnje c) Motor: električni d) Motor: električni 3. U skladu je sa zahtevima iz direktive: 4. Certifikaciono tijelo 5. Broj tipa CE 6. Povezivanje sa usklađenim standardima 7. Izmerena akustična moćnost 8. Izmerena akustična moćnost 9. Izmerena akustična moćnost 10. Osoba ovlašćena za sastavljanje tehničke dokumentacije 11. Mesto i datum</p>	<p>ED deklaracija sa četvrtine (Direktiva Mašine 2006/42/EC, Priloga I, dio A)</p> <p>1. Firma 2. Izjavljuje pod vlastitom odgovornošću, da je mašina: a) Tip / Osnovni model b) Motor / Godina proizvodnje c) Motor: električni d) Motor: električni 3. U skladu je sa zahtevima iz direktive: 4. Certifikaciono tijelo 5. Broj tipa CE 6. Povezivanje sa usklađenim standardima 7. Izmerena akustična moćnost 8. Izmerena akustična moćnost 9. Izmerena akustična moćnost 10. Osoba ovlašćena za izradu tehničke dokumentacije 11. Mesto i datum</p>	<p>ED vertaalkäytäjä (Masinainstruktiot 2006/42/ES, Liite I, osa A)</p> <p>1. Yritys 2. Vakuuttaa omalla vastuullaan, että mašina: a) Tyypin / Perusmallin b) Moottorin / Rakennusvuoden c) Moottorin: sähköinen d) Moottorin: sähköinen 3. Yhteensopiva suhteissa direktiivien mukaisesti: 4. Tarkastuslaitos 5. EF-tyyppinumero 6. Viittaukset yhdenmukaistettuihin standardeihin 7. Mitattu akustinen teho 8. Mitattu akustinen teho 9. Mitattu akustinen teho 10. Henkilö, joka on täyttänyt täydellisen teknisen dokumentaation 11. Paikka ja päiväys</p>

- IT** • Il contenuto e le immagini del presente manuale d'uso sono stati realizzati per conto di STIGA SpA e sono tutelati da diritto d'autore – E' vietata ogni riproduzione o alterazione anche parziale non autorizzata del documento.
- BG** • Съдържанието и изображенията в настоящото ръководство са извършени за STIGA SpA и са защитени с авторски права – Забранява се всяко неотуризирано възпроизвеждане или промяна, дори и отчасти на документа.
- BS** • Sadržaj i slike iz ovog korisničkog priručnika napravljeni su isključivo za STIGA SpA i zaštićeni su autorskim pravima – zabranjena je svaka neovlaštena reprodukcija ili izmjena dokumenta, djelomično ili u potpunosti.
- CS** • Obsah a obrázky v tomto návodu k použití byly zpracovány jménem společnosti STIGA SpA a jsou chráněny autorským právem – Reprodukce či nepovolené pozměňování tohoto dokumentu, a to i částečně, je zakázáno.
- DA** • Indhold og illustrationer i denne vejledning er blevet skabt på vegne af STIGA SpA og er beskyttet af ophavsret – Enhver gengivelse eller ændring, også delvis, af dokumentet uden autorisation hertil er forbudt.
- DE** • Inhalt und Bilder dieser Bedienungsanleitung wurden im Namen von STIGA SpA erstellt und sind urheberrechtlich geschützt – Jede nicht genehmigte Vervielfältigung oder Veränderung, auch auszugsweise, dieses Dokument ist verboten.
- EL** • Το περιεχόμενο και οι εικόνες στο παρόν εγχειρίδιο χρήσης δημιουργήθηκαν για λογαριασμό της εταιρείας STIGA SpA και προστατεύονται από πνευματικά δικαιώματα – Απαγορεύεται οποιαδήποτε αναπαραγωγή ή τροποποίηση, έστω και μερική, του εγγύρφου χωρίς έγκριση.
- EN** • The content and images in this User Manual were produced expressly for STIGA SpA and are protected by copyright – any unauthorised reproduction or modification to the document, either partially or in full, is prohibited.
- ES** • El contenido y las imágenes del presente manual de uso han sido creados por STIGA SpA y están protegidos por los derechos de autor – Se prohíbe toda reproducción o modificación, incluso parcial, no autorizada del documento.
- ET** • Käesoleva kasutusjuhendi sisu ja kujutised on toodetud konkreetselt ettevõttele STIGA SpA ja neile rakendud autoritaiseadused – dokumendi igasugune osaline või täielik ilma loata reprodutseerimine või muutmine on keelatud.
- FI** • Tämän käyttöoppaan sisältö ja kuvat on valmistettu STIGA SpA -yhtiön toimesta ja niitä suojaa tekijänoikeuslaki. – Asiakirjan kaikenlainen kopioiminen tai muuttaminen, osittainkin, on kielletty ilman erityistä lupaa.
- FR** • Le contenu et les images du présent manuel d'utilisation ont été réalisés pour le compte de STIGA SpA et sont protégés par un droit d'auteur - Toute reproduction ou modification non autorisée, même partielle, du document, est interdite.
- HR** • Sadržaj i slike u ovom priručniku za uporabu izrađeni su za tvrtku STIGA SpA te su obuhvaćeni autorskim pravima – Zabranjuje se neovlašteno umnožavanje ili prilagodba, djelomična ili u cijelosti, ovog dokumenta.
- HU** • Ennek a használati útmutatónak a tartalma és a benne szereplő képek kizárólag a STIGA SpA számára készültek és szerzői joggal védettek – tilos a dokumentum bármely részének vagy egészének engedély nélkülű sokszorosítása és módosítása.
- LT** • Šio naudotojo vadovo turinys ir paveikslėliai skirti tik „STIGA SpA“ ir yra saugomi autorių teisėmis – dokumentą atgaminti ar modifikuoti, visiškai arba iš dalies, yra draudžiama.
- LV** • Šis lietotāja rokasgrāmatas saturs un attēli ir veidoti tikai STIGA SpA un ir aizsargāti ar autoritētiesībām. Jebkāda dokumenta vai tā daļas prettiesiska kopēšana vai pārveide ir stingri aizliegta.
- MK** • Содржината и сликите во Упатството за корисникот се подготвени исклучиво за STIGA SpA и се заштитени со авторски права – забрането е секое делумно или целосно неовластено репродуцирање или измена на документот.
- NL** • De inhoud en de afbeeldingen van deze gebruikshandleiding werden gerealiseerd voor rekening van STIGA SpA en zijn beschermd door het auteursrecht – Elke niet-geautoriseerde reproductie of wijziging, ook gedeeltelijke, van het document is verboden.
- NO** • Innholdet og bildene i denne brukerveiledningen er utført på oppdrag fra STIGA SpA og er beskyttet ved opphavsrett – Enhver gjengivelse eller endring, selv kun delvis, er forbudt.
- PL** • Treść oraz ilustracje zawarte w niniejszej instrukcji obsługi powstały na zlecenie spółki STIGA SpA i są chronione prawami autorskimi – Zabrania się wszelkiego kopiowania bądź modyfikowania, także częściowego, niniejszego dokumentu bez uzyskania stosownej zgody.
- PT** • As imagens e os conteúdos contidos no presente Manual do Utilizador foram expressamente criados para uso exclusivo da STIGA SpA, encontrando-se protegidos por direitos de autor. Qualquer tipo de reprodução ou alteração, parcial ou integral, não autorizadas deste Manual estão expressamente proibidas.
- RO** • Conținutul și imaginile din manualul de utilizare de față au fost realizate în numele STIGA SpA și sunt protejate de drepturi de autor – Este interzisă orice reproducere sau modificare chiar și parțială neautorizată a documentului.
- RU** • Тесты и изображения, содержащиеся в настоящем руководстве, были созданы в интересах STIGA SpA и защищены авторскими правами – Любое несанкционированное воспроизведение или изменение документа запрещено.
- SK** • Obsah a obrázky v tomto návode na používanie boli spracované menom spoločnosti STIGA SpA a sú chránené autorským právom – Reprodukcie či nepovolené pozměňovanie tohto dokumentu, a to aj čiastočne, je zakázané.
- SL** • Vsebine in slike v tem uporabniškem priručniku so izdelane za podjetje STIGA SpA in so zaščitene z avtorskimi pravicami – vsakršno nepooblaščenno razmnoževanje ali spreminjanje dokumenta, v celoti ali delno, je prepovedano.
- SR** • Sadržaj i slike ovog priručnika za upotrebu su napravljeni u ime STIGA SpA i zaštićeni su autorskim pravima – Zabranjena je svaka potpuna ili delimična reprodukcija ili izmena dokumenta bez odobrenja.
- SV** • Innehållet och bilderna i denna användarhandbok har framställts för STIGA SpA och skyddas av upphovsrätt – all form av reproduktion eller ändring, även partiell, som inte auktoriserats är förbjuden.
- TR** • Bu Kullanıcı Kilavuzundaki içerik ve resimler açığca STIGA SpA için üretilmiştir ve telif hakkı ile korunmaktadır – dokümanın izinsiz olarak tamamen ya da kısmen herhangi bir şekilde çoğaltılması ya da değiştirilmesi yasaktır.



.....	
Type: .....	 LWA ..... dB
..... -s/n ..... -Art.N .....	
	CE

**STIGA SpA**  
Via del Lavoro, 6  
31033 Castelfranco Veneto (TV) ITALY